

1969

PASSENGER CAR

APPLICATION SECTION

PLYMOUTH

VALIANT - BARRACUDA - BELVEDERE - SATELLITE - FURY

DODGE

DART - CORONET - CHARGER - POLARA - MONACO

This is not for distribution beyond the copy that has been purchased.

If you need additional copies please email

ebay2u@cox.net

Thank you for your purchase

CHRYSLER

NEWPORT - 300 - NEW YORKER
(C-1) (C-2) (C-3)

IMPERIAL

CROWN - LE BARON

REVISED

LOOSE-LEAF PARTS CATALOG

JANUARY 1971

SUPERSEDES

81-690-0889

Printed in U.S.A.

PARTS DIVISION  **CHRYSLER**
MOTORS CORPORATION

81-690-0933

PAGES	
INF-1	GENERAL INFORMATION
PK-1	PARTS PACKAGES
PT-1	POLICE - TAXI
1-1	GROUP 1 ACCESSORIES
2-1	GROUP 2 FRONT SUSPENSION
3-1	GROUP 3 AXLE - REAR
4-1	GROUP 4 BRAKE - PARKING
5-1	GROUP 5 BRAKE - SERVICE
6-1	GROUP 6 CLUTCH
7-1	GROUP 7 COOLING
8-1	GROUP 8 ELECTRICAL
9-1	GROUP 9 ENGINE - 6 CYLINDER
9-1	GROUP 9 ENGINE - 8 CYLINDER
10-1	GROUP 10 ENGINE OILING
11-1	GROUP 11 EXHAUST
12-1	GROUP 12 FENDERS & SHEET METAL
13-1	GROUP 13 FRAME
14-1	GROUP 14 FUEL
15-1	GROUP 15 HOOD
16-1	GROUP 16 PROP. SHAFT & UNIV. JT.
17-1	GROUP 17 SPRINGS
18-1	GROUP 18 STANDARD PARTS
19-1	GROUP 19 STEERING - STANDARD
19-1	GROUP 19 STEERING - POWER
21-1	GROUP 21 TRANSMISSION - MANUAL
21-1	GROUP 21 TRANSMISSION - AUTO.
22-1	GROUP 22 WHEELS
23-1	GROUP 23 BODY
1T-1	GROUP 23 INTERIOR TRIM
24-1	GROUP 24 AIR CONDITIONING
AL-1	ALPHABETICAL INDEX
NU-1	NUMERICAL INDEX

INDEX TO INFORMATION PAGES

- ABBREVIATIONS.....INF - 9
- ALPHABETICAL INDEX.....INF - 7
- AUTOMATIC TRANSMISSION IDENTIFICATIONINF - 5
- BODY CODE PLATEINF - 4
- BUILD DATE MO. AND YR.INF - 4
- CAR LINE INFORMATIONINF - 4
- COLOR CODE INFORMATIONINF - 4
- ENGINE IDENTIFICATIONINF - 5
- HOW TO LOCATE PARTSINF - 8
- HOW TO USE TRIM ILLUSTRATIONINF - 8
- ILLUSTRATIONSINF - 7
- MODEL CODESINF - 4
- NUMERICAL INDEXINF - 7
- PAGE NUMBERINGINF - 7
- PARTS CATALOG REVISION SERVICEINF - 2
- PARTS PACKAGESINF - 7
- PART TYPE CODE SYSTEMINF - 8
- PRODUCT BULLETINSINF - 2
- PRICE CLASS INFORMATIONINF - 4
- SPECIFYING INFORMATIONINF - 2
- STANDARD PARTSINF - 7
- TRANSMISSION IDENTIFICATIONINF - 5
- TRIM CODE AND BODY PAINT CODESINF - 4
- SYMBOLS USED IN THIS CATALOGINF - 2
- VEHICLE IDENTIFICATIONINF - 3

SPECIFYING INFORMATION

The following information is included in this Parts Catalog:

1. Part Type Code
2. Part Name
3. Part Number
4. Model Applications
5. Quantity used per vehicle
6. Effective points of series running changes by vehicle serial number, engine number and body number where applicable.
7. Description and dimensions necessary for proper identification of parts where necessary.
8. Parts not previously listed in the Parts Catalog are designated by a (#) symbol preceding the part number.
9. No. of Cyl. column
6 indicates 6 cylinder models
8 indicates 8 cylinder models
10. Parts designated as "CANADA" are applicable to Canadian vehicles only. They are not available in U.S.A.

SYMBOLS USED IN THIS PARTS CATALOG

The following symbols are used in the Parts Catalog and revisions thereto:

* - An asterisk preceding a part number indicates a change or addition.

- Preceding a part number indicates parts which have been added and not previously published.

AR - In the "Model Code" column means "use as required".

PRODUCT BULLETINS

PRODUCT BULLETINS are issued when important changes are made in production or when corrections are to be made in the Parts Catalog between regular revisions.

The purpose of the Product Bulletin is to keep every one concerned up to date with the latest changes. All catalogs must be changed accordingly to remain current between revisions.

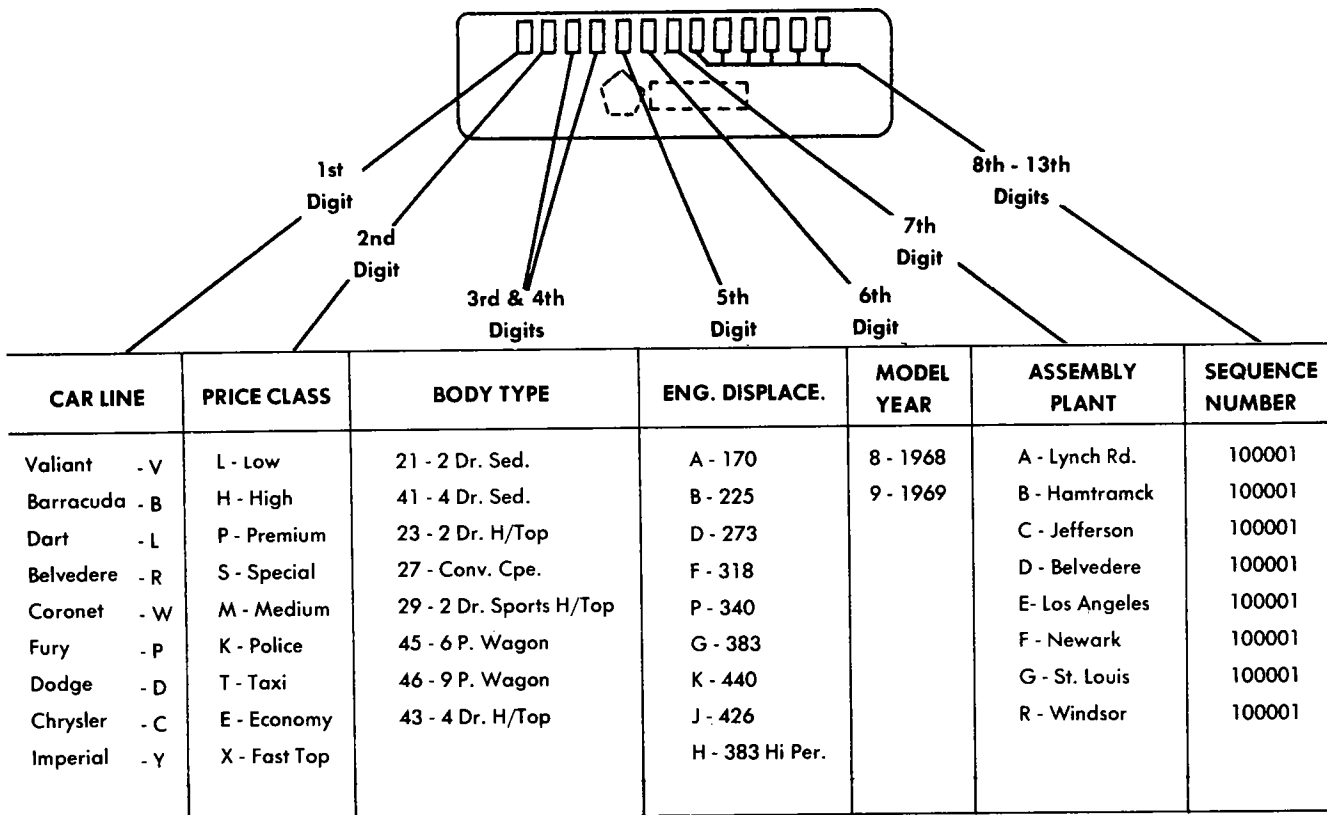
PARTS CATALOG REVISION SERVICE

Subscribers to the Passenger Car Parts Catalog Revision Service will be periodically provided with revision copy incorporating latest information. Revision may be provided by Group or complete book copy.

Proper interfiling of the revision copy will insure the subscriber a complete up-to-date Parts Catalog.

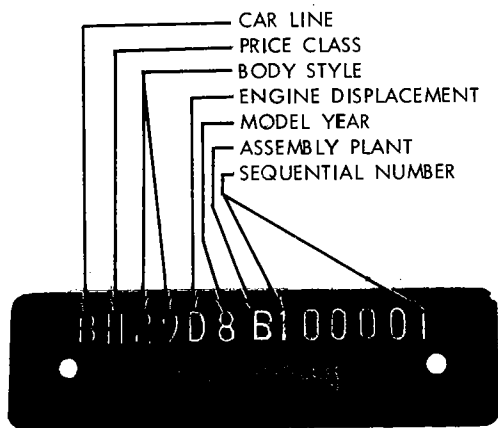
Accompanying each mailing of a set of revision copy is a covering letter which outlines the contents of the particular revision. It is recommended that the letter be read carefully to avoid elimination of copy which is still current.

VEHICLE IDENTIFICATION PLATE



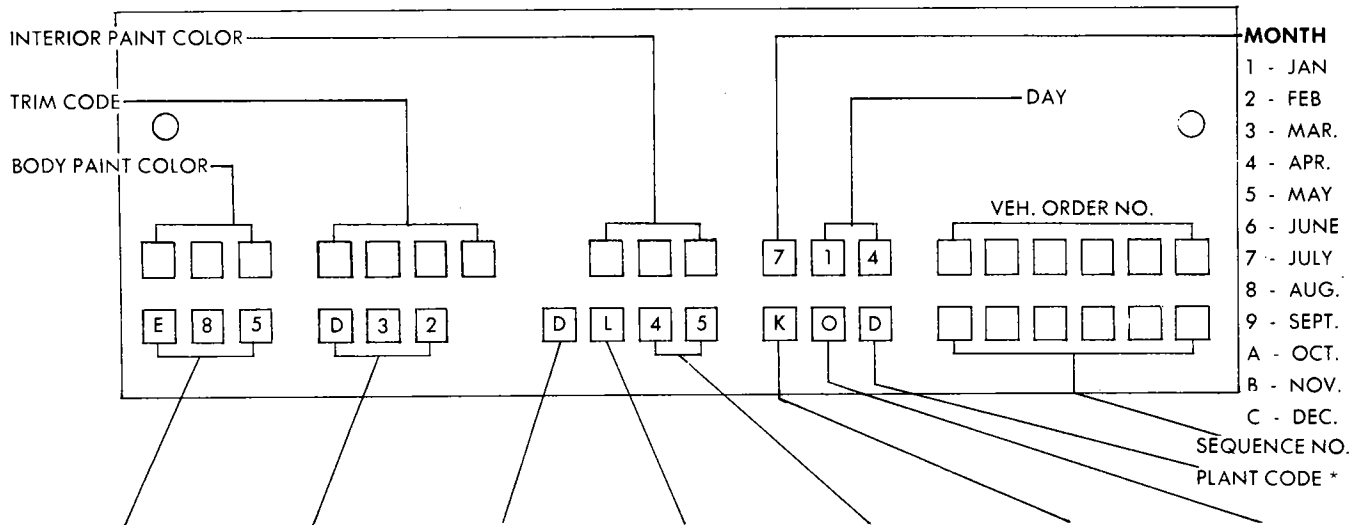
BH 209

VEHICLE IDENTIFICATION PLATE



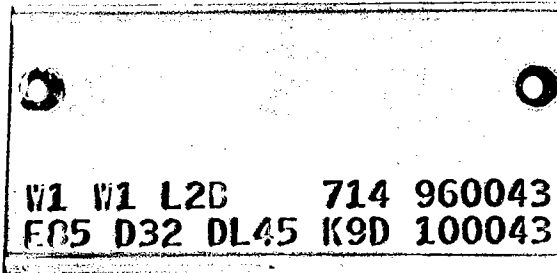
All assembly plants use a uniform method for assigning vehicle serial numbers. This number consists of 13 digits and is shown on the Vehicle Identification Plate which is located on the instrument panel - visible thru the windshield. (Always specify the vehicle serial number when ordering parts by description). A listing and description or serial numbers follows:

1969 PASSENGER CAR SERIAL NUMBERS
BODY CODE PLATE LOCATED ON RADIATOR YOKE



ENG. CODES	TRANS CODES	CAR LINE	PRICE CLASS	BODY TYPE	ENG CODE	MODEL YEAR
E-11-170-1V	D11-A903	O-ALL	O-ALL	21-2DR. SED.	A - 170	9-1969
E-24-225-1V	D12-A230 C/S	V-VALIANT	K-POLICE	41-4 DR. SED.	B - 225	0-1970
E-25-225-1V K & T	D13-A230 F/S	L-DART	T-TAXI	23-2 DR. H/TOP	D - 273	
E-26-225-2V (A-119)	D21-A833	B-BARRACUDA	E-ECONOMY	27-CV. CP.	F - 318	
E-31-273-2V	D31-A904	R-BELVIDERE	L-LOW	29-2 DR. SPORTS H/TOP	P - 340	
E-44-318-2V	D32-A727	W-CORONET	M-MEDIUM	45-6 P. WGN.	G - 383	
E-55-340-4V	D36-A727 H.D.	P-PLYMOUTH	H-HIGH	46-9 P. WGN.	K - 440	
E-61-383-2V	D49 SPECIAL ORDER	D-DODGE	P-PREMIUM	43-4 DR. H/TOP	J - 426	
E-63-383-4V		C-CHRYSLER	S-SPECIAL		H - 383 Hi Per.	
E-74-426-8V		Y-IMPERIAL			L - 440 H.P.	
E-85-440-4V						
E-86-440-4V (A-134)						
E-87-440-6V						

* ASSEMBLY PLANT, A - LYNCH ROAD, C - JEFFERSON E - LOS ANGELES G - ST. LOUIS
B - HAMTRAMCK D - BELVIDERE F - NEWARK, R - WINDSOR



ENGINE IDENTIFICATION NUMBERS

The following are examples of identification numbers of all 1968 engines and transmissions:

ENGINE IDENTIFICATION

<u>PLANT CODE</u>	<u>CUBIC INCH DISPL.</u>	<u>DATE CODE</u>	<u>SERIAL NUMBER</u>
2 letters PM - Mound Rd. PT - Trenton	3 digits 170, 225, 273, 318, 340, 383, 426, 440	4 digits Based on the calendar on Page INF-6. 2187 - July 24, 1968.	4 digits A sequential number beginning with 0001 for each day's production.

Example serial number for an engine: PM31821870001

<u>CYL.</u>	<u>CID</u>	<u>IDENTIFICATION NO. BOSS LOCATION</u>
6	170	Right side, front of block, near coil mounting bracket.
6	225	
8	273	Left side, front of block, below cylinder head.
8	318	
8	340	
8	383	Left side, rear of block, near oil pan flange.
8	426	
8	440	

MANUAL TRANSMISSION IDENTIFICATION

<u>PLANT CODE</u>	<u>COMPONENT CODE</u>	<u>DATE CODE</u>	<u>SERIAL NUMBER</u>
2 letters PP - New Process Gear Division PK - Kokomo	3 digits 903 - 903 trans. 745 - 745 trans. 833 - 833 trans.	4 digits Based on the calendar on Page INF-6. 2187 - July 24, 1968.	4 digits A sequential number beginning with 0001 for each day's production.

Example serial number for a manual transmission: PP90321870001

Location: Below centerline on Front Portion of Right Side.

AUTOMATIC TRANSMISSION IDENTIFICATION

<u>PLANT CODE</u>	<u>PART NO.</u>	<u>DATE CODE</u>	<u>SERIAL NUMBER</u>
2 letters PK - Kokomo	7 digits 2995 834	4 digits Based on the calendar on Page INF-6. 2187 - July 24, 1968.	4 digits A sequential number beginning with 0001 for each day's production.

Example serial number for an automatic transmission: PK299583421870001

Location: On Oil Pan Side Rail - Left Side.

1969 PASSENGER CAR PARTS CATALOG

GENERAL
INFORMATION

ENGINE IDENTIFICATION NUMBERS - CONT'D

DATE	1968 CALENDAR DATE CORRELATION TABLE				1969 CALENDAR DATE CORRELATION TABLE									
	SEP.	OCT.	NOV.	DEC.	JAN.	FEB.	MAR.	APR.	MAY	JUNE	JULY	AUG.	SEP.	OCT.
1	2592	2622	2653	2683	2714	2745	2773	2804	2834	2865	2895	2926	2957	2987
2	2593	2623	2654	2684	2715	2746	2774	2805	2835	2866	2896	2927	2958	2988
3	2594	2624	2655	2685	2716	2747	2775	2806	2836	2867	2897	2928	2959	2989
4	2595	2625	2656	2686	2717	2748	2776	2807	2837	2868	2898	2929	2960	2990
5	2596	2626	2657	2687	2718	2749	2777	2808	2838	2869	2899	2930	2961	2991
6	2597	2627	2658	2688	2719	2750	2778	2809	2839	2870	2900	2931	2962	2992
7	2598	2628	2659	2689	2720	2751	2779	2810	2840	2871	2901	2932	2963	2993
8	2599	2629	2660	2690	2721	2752	2780	2811	2841	2872	2902	2933	2964	2994
9	2600	2630	2661	2691	2722	2753	2781	2812	2842	2873	2903	2934	2965	2995
10	2601	2631	2662	2692	2723	2754	2782	2813	2843	2874	2904	2935	2966	2996
11	2602	2632	2663	2693	2724	2755	2783	2814	2844	2875	2905	2936	2967	2997
12	2603	2633	2664	2694	2725	2756	2784	2815	2845	2876	2906	2937	2968	2998
13	2604	2634	2665	2695	2726	2757	2785	2816	2846	2877	2907	2938	2969	2999
14	2605	2635	2666	2696	2727	2758	2786	2817	2847	2878	2908	2939	2970	3000
15	2606	2636	2667	2697	2728	2759	2787	2818	2848	2879	2909	2940	2971	3001
16	2607	2637	2668	2698	2729	2760	2788	2819	2849	2880	2910	2941	2972	3002
17	2608	2638	2669	2699	2730	2761	2789	2820	2850	2881	2911	2942	2973	3003
18	2609	2639	2670	2700	2731	2762	2790	2821	2851	2882	2912	2943	2974	3004
19	2610	2640	2671	2701	2732	2763	2791	2822	2852	2883	2913	2944	2975	3005
20	2611	2641	2672	2702	2733	2764	2792	2823	2853	2884	2914	2945	2976	3006
21	2612	2642	2673	2703	2734	2765	2793	2824	2854	2885	2915	2946	2977	3007
22	2613	2643	2674	2704	2735	2766	2794	2825	2855	2886	2916	2947	2978	3008
23	2614	2644	2675	2705	2736	2767	2795	2826	2856	2887	2917	2948	2979	3009
24	2615	2645	2676	2706	2737	2768	2796	2827	2857	2888	2918	2949	2980	3010
25	2616	2646	2677	2707	2738	2769	2797	2828	2858	2889	2919	2950	2981	3011
26	2617	2647	2678	2708	2739	2770	2798	2829	2859	2890	2920	2951	2982	3012
27	2618	2648	2679	2709	2740	2771	2799	2830	2860	2891	2921	2952	2983	3013
28	2619	2649	2680	2710	2741	2772	2800	2831	2861	2892	2922	2953	2984	3014
29	2620	2650	2681	2711	2742		2801	2832	2862	2893	2923	2954	2985	3015
30	2621	2651	2682	2712	2743		2802	2833	2863	2894	2924	2955	2986	3016
31		2652		2713	2744		2803		2864		2925	2956		3017

IMPORTANT

Parts Division replacement engines are supplied with blank engine number bosses only. Dealers are governed by state law on the application of engine numbers. In states where license fees are based on displacement or taxable horsepower, it will be necessary to change vehicle registration if the new replacement engine differs from the one it replaces.

PAGE NUMBERING

Two-part page numbers are used throughout this catalog. The first part of the page designation indicates the major group or section. The second part indicates the actual page number in the group. For example:

- 1-1 indicates Group 1, Accessories, Page 1
- 2-1 indicates Group 2, Front Suspension, Page 1

In the maintenance of the Loose Leaf Parts Catalog Revision Service, it may become necessary to add information beyond the capacity of the page. In this event, an "A" page will be used. For example: If it becomes necessary, because of change, to add several part numbers to page 2-1 and space does not permit the addition, you will be given Page 2-1A. Page 2-1A should be filed immediately following page 2-1.

ILLUSTRATIONS

See separate Illustration Catalog for 1969 Passenger Car Models.

ALPHABETICAL INDEX

To locate a part by name, refer to the Alphabetical Index. This index indicates the Part Type Code in which various parts may be located.

NUMERICAL INDEX

Reference to any part by part number is provided in the Numerical Index. This index indicates the Part Type Code in which the number is listed.

PARTS PACKAGES

Service Parts Packages, containing all parts needed for a specific service operation, are listed in their respective groups with related parts. The listing will show adaptability and model application. Often it becomes necessary to know just what parts are contained in a Service Package. To determine this, refer to the Service Package Section. This Section contains a secondary listing of all Service Packages in this Parts Catalog together with a list of every component part of each package. Service Packages in this section are listed numerically by Part Type Code.

STANDARD PARTS

Standard Parts such as bolts, nuts, etc., are listed under the major parts which they attach and are not coded. Standard Parts listed as Major Parts, such as fuses, bulbs, and bearings in the 100,000 part number series are assigned a Part Type Code and coded within the group in which they are listed.

A comprehensive listing of the most commonly used Standard Parts available in carton quantities will be found under Group 18.

HOW TO LOCATE PARTS

This Parts Catalog is divided into Groups (Part Type Codes) with a tab index to separate the Major Groups.

Page INF - 1 lists the various Group names and numbers. To locate a part by number, refer to the Numerical Index which indicates the Part Type Code in which the number is located. To locate a part by name, refer to the Alphabetical Index which will indicate the Part Type Code a part number for specific nomenclature is listed.

In cases where only the location of the part on the vehicle is known, refer to the Illustrations for that group in which the part is located. The illustration will identify the part and provide Part Type Code information from which the part listing may be located. Parts are listed in Part Type Code sequence within the group, and reference to the proper group will determine the part number.

PART TYPE CODE SYSTEM

To simplify the listing and location of individual parts, a system of Part Codes is used in this Parts Catalog.

To illustrate, a Type of Part will be indicated as:

2-03-3 KNUCKLE, w/BUSHING

This code is broken down as follows:

- 2- Indicates the Major Group: "Group 2 -- Front Suspension"
- 03- Indicates the Sub-Group: "03 -- Steering Knuckle"
- 3 Indicates the Code for the specific name of the part: "Knuckle, w/
BUSHING"

Part Type Code 2-03-3 will always appear as "KNUCKLE, w/BUSHING."

COLOR CODED OR MIXED PART NUMBERS

Appearing throughout this catalog are part numbers containing both letters and numbers. For example: 6700EX9. These are good serviceable part numbers. The combination of letters and numbers merely indicates the parts are keyed to the interior color of the vehicles on which they are used.

INTERIOR TRIM

How to use interior trim illustrations, the illustrations in this section are typical and each body style showing the interior trim is included. A study of these illustrations refers to the legend which appears preceding the listing of parts. The letters are consistent throughout the illustrations as "A" is always a door trim panel, code 23-92-5.

The numbers on the seat illustrations indicate the distribution of material and type of material used on front and rear seats for specific trim codes. The car line models and trim codes applicable are shown above each listing.

Use interior trim illustrations when ordering trim parts. This section is extremely helpful in location trim items.

ABBREVIATIONS

ABBREVIATIONS AS USED THROUGHOUT CATALOG ARE INTERPRETED AS FOLLOWS:

ABS	ABSORBER	CHAM	CHAMFERED
ACC	ACCESSORY	CHMBR	CHAMBER
ACCEL	ACCELERATOR	CHR	CHROMIUM
A/CLNR	AIR CLEANER	C. I.	CUBIC INCH
A/COMD	AIR COMPRESSOR	C/IRON	CAST IRON
A/COND	AIR CONDITIONING	C/CASE	CRANKCASE
ACTG	ACTUATING	CK/SHFT	CRANKSHAFT
ACTR	ACTUATOR	CL	CLEANER
ADAPT	ADAPTOR-ADAPTATION	CL/NUT	CLINCH NUT
ADJ	ADJUSTING-ADJUSTOR-ADJUSTABLE-ADJUSTMENT	C/LP	COURTESY LAMP
A/INL	AIR INLET	clsr	CLOSURE
ALTR	ALTERNATOR	C/LTR	CIGAR OR CIGARETTE LIGHTER
ALUM	ALUMINUM	C/MBR	CROSSMEMBER
AMP	AMPERE	COE	CAB OVER ENGINE
AMPL	AMPLIFIER	COL	COLUMN
AMTR	AMMETER	COMB	COMBINATION
ANCH	ANCHOR	COMBN	COMBUSTION
&	AND	COMP	COMPLETE, COMPONENT
A/OUT	AIR OUTLET	COMPN	COMPRESSION
APPROX	APPROXIMATE, APPROXIMATELY	COMPR	COMPRESSOR
AR	AS REQUIRED	COMPT	COMPARTMENT
A/RATLR	ANTI RATTLER	COMTR	COMMUTATOR
A/REST	ARM REST	COND	CONDENSER
ARM	ARMATURE	CONDT	CONDUIT
A/SQK	ANTI SQUEAK	CONDTG	CONDITIONING
ASSY	ASSEMBLY	CONN	CONNECTING-CONNECTION-CONNECTOR
A/SUSP	AIR SUSPENSION	CONT	CONTINUED-CONTROL
ATC	AUTOMATIC TEMPERATURE CONTROL	CONT'D	CONTINUED
ATT	ATTACHING	CONV	CONVERTER
A/TRANS	AUTOMATIC TRANSMISSION	COP	COPPER
AUTO	AUTOMATIC	CO/SHFT	COUNTERSHAFT
AUX	AUXILIARY	CO/WT	COUNTERWEIGHT
BAL	BALANCE	CP	CANDLEPOWER
BATT	BATTERY	C/PILLAR	CENTER PILLAR
BBL	BARREL	CPLG	COUPLING
B/BRK	BOOSTER BRAKE	C/SHFT	CROSS SHAFT
B/CRK	BELL CRANK	CSTG	CASTING
B.E.	BLACK ENAMEL	CTR	CENTER
B/JNT	BALL JOINT	CU	CUBIC
BLK	BLOCK	CUSH	CUSHION
BLT	BUILT	CUST	CUSTOM
BLWR	BLOWER	CV	CONVERTIBLE
BMPR	BUMPER	C/VAL	CONTROL VALVE
BOLT & RET	BOLT & RETAINER	CVR	COVER
BOLT & WA	BOLT & WASHER	C/WT	COUNTERWEIGHT
BR	BRASS	CYL	CYLINDER
BRD	BOARD	DBL	DOUBLE
BRG	BEARING	D/CVR	DUST COVER
BRK	BRAKE	D/E	DRIVE END
BRKT	BRACKET	DECAL	DECALCOMANIA
BRKR	BREAKER	DEFL	DEFLECTOR
BRT	BRIGHT	DEFR	DEFROSTER
BRZ	BRONZE	DEG (o)	DEGREE
BSTR	BOOSTER	D/EXH	DUAL EXHAUST
B/STUD	BALL STUD	DIA	DIAMETER
BTM	BOTTOM	DIAG	DIAGONAL
BTN	BUTTON	DIAPH	DIAPHRAGM
B/UP	BACK UP	DIFF	DIFFERENTIAL
BUSH	BUSHING	DIM	DIMENSION
CAD	CADIUM	DIR	DIRECT-DIRECTIONAL
CAN	CANADA-CANADIAN	DIR CL	DIRECT CLUTCH
CAP	CAPACITY	DIST	DISTRIBUTOR-DISTRIBUTING
C.A.S.	CLEANER AIR SYSTEM	DIV	DIVISION-DIVISIONAL
CARB	CARBURETOR	D/LINK	DRAG LINK
C/BAR	CROSS BAR	D/LP	DOME LAMP
CBL	CABLE	DMPR	DAMPER
C/BRD	CIRCUIT BOARD	DOM	DOMESTIC
C/BRKR	CIRCUIT BREAKER	D/PINION	DRIVE PINION
CCW	COUNTERCLOCKWISE	DR	DOOR
C/E	COMMUTATOR END		

ABBREVIATIONS (Cont'd.)

D/R SHAFT	DOUBLE ROCKER SHAFT	HD	HEAD
DRV	DRIVE	H/D	HEAVY DUTY
DRVN	DRIVEN	HDL	HANDLE
D/SEAL	DUST SEAL	H/LIN	HEAD LINING
D/SHLD	DUST SHIELD	HDLS	HEADLESS
D/SW	DIMMER SWITCH	HDR	HEADER
ECC	ECCENTRIC	HEMI	HEMISPHERICAL
ECS	EMISSION CONTROL SYSTEM	HEX	HEXAGON
ELECT	ELECTRIC	HGE	HINGE
ELIM	ELIMINATOR	H/GUIDE	HYDRAGUIDE
ENG	ENGINE	H/LP	HEADLAMP
EQ	EQUIPMENT	H/PERF	HIGH PERFORMANCE
ESC	ESCUTCHEON	H/REST	HEAD REST
ETC	ET CETERA	HSG	HOUSING
DVAP	EVAPORATION-EVAPORATOR	H/SINK	HEAT SINK
EX	EXTRA	H/SHLD	HEAT SHIELD
EXH	EXHAUST	HTR	HEATER
EXP	EXPORT	HVY	HEAVY
EXT	EXPANSION	HYD	HYDRAULIC
	EXTENSION	I/ARM	IDLER ARM
EXTL	EXTERNAL	I.D.	INSIDE DIAMETER
EXTR	EXTRUDED	IDENT	IDENTIFICATION
F	FAHRENHEIT	IGN	IGNITION
FACT	FACTORY	IN	INCH
F/AIR	FRESH AIR	INCL	INCLUSIVE-INCLUDES
FAST	FASTENING-FASTENER	IND	INDUSTRIAL
F/AXLE	FRONT AXLE	INDIC	INDICATOR
F/BRD	FLOOR BOARD	INL	INLET
F/CPLG	FLUID COUPLING	INR	INNER
F/DR	FRONT DOOR	INS	INSULATING-INSULATION-INSULATOR
F/FILT	FUEL FILTER	INST	INSTRUMENT-INSTRUCTION
F/FLR	FRONT FLOOR	INT	INTAKE
F/GA	FUEL GAGE	INTR	INTERMITTENTLY-INTERMEDIATE
F/IDLE	FAST IDLE	INTL	INTERNAL
FIL HD	FILLISTER HEAD	INTLK	INTERLOCK
FIN	FINISH	I/PNL	INSTRUMENT PANEL
F/INN	FUEL INJECTION	I/PULLEY	IDLER PULLEY
FLD	FIELD	I/S	INSIDE
FLEX	FLEXIBLE	J/BLK	JUNCTION BLOCK
FLG	FLANGE	JNT	JOINT
FL HD	FLAT HEAD	K/DN	KICKDOWN
FLR	FLOOR	KILO	KILOMETER
F/MLDG	FINISH MOULDING	KNU	KNUCKLE
FNDR	FENDER	K/UP	KICKUP
F/PAN	FLOOR PAN	LBS	POUNDS
F/PUMP	FUEL PUMP	L/C	LOW COMPRESSION
FREQ	FREQUENCY	LCF	LOW CAB FORWARD
FRT	FRONT	L/COMPT	LUGGAGE COMPARTMENT
FT	FOOT-FEET	LEA	LEATHER
F/TANK	FUEL TANK	LGH	LENGTH
FTG	FITTING	LHD	LEFT HAND DRIVE
F/TOP	FOLDING TOP	ε.H. THD	LEFT HAND THREAD
GA	GAUGE-GAGE	LIC	LICENSE
GALV	GALVANIZED	LIN	LINING-LINER
GARN	GARNISH	LK	LOCK
G/BOX	GLOVE BOX	LKG	LOCKING
GEN	GENERATOR	LK/NUT	LOCK NUT
GLA	GLASS	LK/WA	LOCK WASHER
G/MLDG	GARNISH MOULDING	LOC	LOCATING
GND	GROUND	LP	LAMP
GOV	GOVERNOR	LT	LEFT
GR	GEAR	LTR	LIGHTER
G/REG	GENERATOR REGULATOR	LUB	LUBRICANT-LUBRICATING
GRI	GRILLE	LUGG	LUGGAGE
GRMT	GROMMET	LVR	LEVER
G/SHIFT	GEARSHIFT	LWR	LOWER
GSKT	GASKET	M & I	MARINE & INDUSTRIAL
GVW	GROSS VEHICLE WEIGHT	M/ADJ	MANUAL ADJUSTING
H/BRK	HAND BRAKE	MAN	MANUAL
H/C	HIGH COMPRESSION	MANF	MANIFOLD

ABBREVIATIONS (Cont'd.)

MAR	MARINE	POLY	POLYESTER
MAX	MAXIMUM	P/PNL	POCKET PANEL
MAX. PERF	MAXIMUM PERFORMANCE	PRESS	PRESSURE
M/BRK	MANUAL BRAKE	PRI	PRIMARY
MBR	MEMBER	PROD	PRODUCTION
M/CYL	MASTER CYLINDER	P/ROD	PUSH ROD
MECH	MECHANISM	PROP	PROPELLER
MED	MEDIUM	PRPG	PROPORTIONING
MEDAL	MEDALLION	PSF	POUNDS PER SQUARE FOOT
MIL	MILITARY	PSI	POUNDS PER SQUARE INCH
MIN	MINIMUM	P/STRG	POWER STEERING
MLDG	MOULDING	PT	POINT
MOD	MODEL	PTO	POWER TAKE-OFF
M/MTRG	MAIN METERING	PWR	POWER
M.P.H.	MILES PER HOUR	Q/PNL	QUARTER PANEL
MT	MOUNT	QTR	QUARTER
MTG	MOUNTING	Q/WDO	QUARTER WINDOW
MTR	MOTOR	R	RADIUS
M/TRANS	MANUAL TRANSMISSION	R/A	REAR AXLE
MTRG	METERING	R/AXLE	REAR AXLE
NEG	NEGATIVE	RAD	RADIATOR
NEUT	NEUTRAL	R/CONT	REMOTE CONTROL
NI	NICKEL	RC/SHFT	ROCKER SHAFT
NO. OR #	NUMBER	RD	ROUND
NOM	NOMINAL	R/DR	REAR DOOR
N/PLT	NAME PLATE	REC	RECIEVER
NUT & WA	NUT AND WASHER	RECIR	RECIRCULATING
O/CTR	OVER CENTER	RECT	RECTANGULAR
O.D.	OUTSIDE DIAMETER	RECTR	RECTIFIER
O/DRV	OVER DRIVE	RED	REDUCTION
O/GA	OIL GAUGE	REFL	REFLECTOR
OPER	OPERATING	REG	REGULATOR
OPNG	OPENING	REINF	REINFORCEMENT
OPP	OPPOSITE	REL	RELEASE
OPT	OPTIONAL	REM	REMOTE
O/PUMP	OIL PUMP	REQ	REQUIRED
ORN	ORNAMENT	RES	RESISTOR
O/RUNN	OVERRUNNING	RET	RETAINER
O/S	OUTSIDE	RETG	RETAINING
O/SIZE	OVERSIZE	REV	REVERSE
OTR	OUTER	REVERB	REVERBERATOR
OUTL	OUTLET	R/FLR	REAR FLOOR
OV	OVAL	RHD	RIGHT HAND DRIVE
O/W	OPTIONAL WITH	RHEO	RHEOSTAT
O/WRAP	OVERWRAP	R. H. THD	RIGHT HAND THREAD
OZ	OUNCE	R/L	RIGHT AND LEFT
P	PITCH	RPM	REVOLUTIONS PER MINUTE
PACK	PACKING	R/QTR	REAR QUARTER
PARK	PARKING	RR	REAR
PART	PARTIAL, PARTITION	RSVR	RESERVOIR
PASS	PASSENGER	RT	RIGHT
P/BRK	POWER BRAKE	R/WDO	REAR WINDOW
P/BTN	PUSH BUTTON	S/ABS	SHOCK ABSORBER
PC/BRD	PRINTED CIRCUIT BOARD	S/COMPT	SIDE COMPARTMENT
PED	PEDAL	S/DEFL	STONE DEFLECTOR
PERF	PERFORMANCE	SECT	SECTION
PIST	PISTON	SER	SERIAL-SERVICE
PIV	PIVOT	S/EXH	SINGLE EXHAUST
PKG	PACKAGE	S-FIN	SEMI-FINISHED
PL	PLAIN	S/GR	STEERING GEAR
P/LAMP	PARKING LAMP	SHFT	SHIFT
PLR	PILLAR	SHLD	SHIELD
PLT	PLATE-PLATED	SIG	SIGNAL
PLUNG	PLUNGER	S/KNU	STEERING KNUCKLE
PL/WA	PLAIN WASHER	SLD	SLIDE
P/MTR	POTENTIOMETER	SLDG	SLIDING
PNL	PANEL	S/LP	STOP LAMP
PNTD	PAINTED	SLTD	SLOTTED
POS	POSITIVE	SLV	SLEEVE

ABBREVIATIONS (Cont'd.)

S/MBR	SIDE MEMBER	TORS	TORSION
SOC	SOCKET	TPI	THREADS PER INCH
SOL	SOLENOID	T/PIPE	TAIL PIPE
SPD	SPEED	T/PLT	TAPPING PLATE
SPEEDO	SPEEDOMETER	T/PNL	TRIM PANEL
SPKR	SPEAKER	TPR	TAPER
SPL	SPECIAL	TRANS	TRANSMISSION
SPL. EQUIP	SPECIAL EQUIPMENT	TRANSF	TRANSFER
SPRG	SPRING	TRIMD	TRIMMED
S/PNL	SIDE PANEL	TRUN	TRUNNION
SP/SHLD	SPLASH SHIELD	T/SIG	TURN SIGNAL
SQ	SQUARE	TST	TAIL STOP & TURNING
S/R SHAFT	SINGLE ROCKER SHAFT	T/STRIP	TACKING STRIP
S/RAIL	SIDE RAIL	TUB	TUBULAR
S/RING	SNAP RING	U/BODY	UNDERBODY
S/SHLD	SIDE SHIELD	U/DRV	UNDERDRIVE
S/SILL	SIDE SILL	U/JNT	UNIVERSAL JOINT
S/SPD	SINGLE SPEED	UNIV	UNIVERSAL
STA	STATION-STATIONARY	UPR	UPPER
STAB	STABILIZER	U/S	UNDERSIZE
STD	STANDARD	U/SEAT	UNDERSEAT
STGHT	STRAIGHT	U/W	USED WITH
STL	STEEL	V	VOLT
STRG	STEERING	VAC	VACUUM
STRKR	STRIKER	VAL	VALUE
STRNR	STRAINER	V/DMPR	VIBRATION DAMPER
STRTR	STARTER	VENT	VENTILATOR-VENTILATING
SUCT	SUCTION	VERT	VERTICAL
SUPPT	SUPPORT	VOL. CONT	VOLUME CONTROL
SUSP	SUSPENSION	V/REG	VOLTAGE REGULATOR
SW	SWITCH	V/SPD	VARIABLE SPEED
SYNCH	SYNCHRONIZER	V/WING	VENT WING
T	TEETH	W	WATT
TAP	TAPPING	W/	WITH
T/BKL	TURN BUCKLE	WA	WASHER
T/BLK	TERMINAL BLOCK	WAG	WAGON
T/COMP	TRIMMED COMPLETE	W.B.	WHEELBASE
T/CONT	THROTTLE CONTROL	W/BRG	WHEEL BEARING
T/CONV	TORQUE CONVERTER	W/CORD	WEATHERCORD
TEMP	TEMPERATURE	WDO	WINDOW
TERM	TERMINAL	WHL	WHEEL
T/GA	TEMPERATURE GAUGE	W/HSE	WHEELHOUSE
T/GATE	TAILGATE	W/LIFT	WINDOW LIFT
THD	THREAD	W/O	WITHOUT
THK	THICK	W/PUMP	WATER PUMP
THERMO	THERMOSTAT	W/REG	WINDOW REGULATOR
3RD	THIRD	W/SHLD	WINDSHIELD
THR	THRUST	W/STRIP	WEATHERSTRIP
THROT	THROTTLE	WT	WEIGHT
T/LP	TAIL LAMP	W/WASHER	WINDSHIELD WASHER
TORQ	TORQUE	W/WPR	WINDSHIELD WIPER
		X/MBR	X MEMBER

1969 PASSENGER CAR PARTS CATALOG

CODE	PART NAME AND PART NUMBER	CODE	PART NAME AND PART NUMBER
2-10-7	ARM PACKAGE, LOWER CONTROL, LT Part No. 2808 621 Consists of: 1 - Arm 1 - 2071 506 Bushing 1 - Nut 1 - Pin	1 - 6025 523 Nut, Control Arm Strut Bearing 2 - 2207 322 Retainer, Control Arm Strut 1 - 2535 464 Sleeve, Control Arm Strut Bushing	
2-10-55	ARM and BALL JOINT PACKAGE, FRONT SUSPENSION STEERING KNUCKLE HOUSING LOWER Part No. 2275 466 2275 467 Consists of: 1 - Arm, Ball Joint Housing 1 - Nut, Ball Joint Stud 1 - C/Pin, Ball Joint Stud Nut	BUSHING and RETAINER PACKAGE, FRONT SUSPENSION LOWER CONTROL ARM STRUT Part No. 2808 664 Consists of: 1 - 2462 740 Bushing, Arm Strut Front 1 - 2462 741 Bushing, Arm Strut Rear 1 - 6025 523 Nut, Arm Strut Bushing 2 - 2207 322 Retainer, Arm Strut Bushing 1 - 2535 463 Sleeve, Arm Strut Bushing	
	ARM and BALL JOINT PACKAGE, FRONT SUSPENSION STEERING KNUCKLE HOUSING, LOWER Part No. 3004 817 3004 818 3004 819 3004 820 Consists of: 1 - Arm, Ball Joint Housing 1 - C/Pin, Ball Joint Stud Nut 1 - 128 027 Nut, Ball Joint Stud	2-10-61 SHAFT PACKAGE, FRONT SUSPENSION LOWER CONTROL ARM Part No. 2808 579 2808 580 Consists of: 1 - 6024 484 Nut, Arm Shaft 1 - Shaft, Arm 1 - 2071 470 Washer, Arm Shaft	
	ARM and BALL JOINT PACKAGE, FRONT SUSPENSION STEERING KNUCKLE HOUSING LOWER Part No. = 3420 156 = 3420 157 = 3420 160 = 3420 161 = 3420 162 = 3420 163 Consists of: 1 - Arm, Ball Joint Housing 1 - C/Pin, Ball Joint Nut 1 - 128 025 Nut, Ball Joint Stud	SHAFT PACKAGE, FRONT SUSPENSION LOWER CONTROL ARM Part No. 2808 687 2808 686 Consists of: 1 - 6028 485 Nut, Arm Shaft 1 - Shaft, Arm 1 - Washer, Arm Shaft	
2-10-57	BUSHING and RETAINER PACKAGE, FRONT SUSPENSION LOWER CONTROL ARM STRUT Part No. 2084 918 Consists of: 1 - 2071 443 Bushing, Strut 1 - 6024 657 Nut, Strut Bushing Retainer 2 - 2071 211 Retainer, Strut Bushing	2-14-1 BOLT and SWIVEL PACKAGE, FRONT SUSPENSION TORSION BAR or SPRING, FRONT END ADJUSTING Part No. 2275 468 2275 469 Consists of: 1 - Bolt 1 - Swivel	
	BUSHING and RETAINER PACKAGE, FRONT SUSPENSION LOWER CONTROL ARM STRUT Part No. 2808 665 Consists of: 1 - 2207 282 Bushing, Control Arm Strut Front 1 - 2207 296 Bushing, Control Arm Strut Rear	BOLT and SWIVEL PACKAGE, FRONT SUSPENSION TORSION BAR or SPRING, REAR END ANCHOR ADJUSTING Part No. 2525 086 2525 087 2808 417 Consists of: 1 - Bolt 1 - Swivel	
3-09-3	REPAIR KIT, REAR AXLE DIFFERENTIAL Part No. 2852 523 Consists of: 4 - 1929 759 Plate 2 - 2238 893 Disc 2 - 2228 429 Plate 2 - 1929 758 Disc	3-09-3 REPAIR KIT, REAR AXLE DIFFERENTIAL Part No. 2852 523 Consists of: 4 - 1929 759 Plate 2 - 2238 893 Disc 2 - 2228 429 Plate 2 - 1929 758 Disc	

CODE	PART NAME AND PART NUMBER	CODE	PART NAME AND PART NUMBER
3-33-1	BEARING PACKAGE, DRIVE SHAFT Part No. 2525 415		
	Consists of:		
	1 - Bearing		
	1 - Collar		
	BEARING PACKAGE, DRIVE SHAFT Part No. 2808 586		
	Consists of:		
	1 - Bearing		
	1 - Collar		
	BEARING PACKAGE, DRIVE SHAFT Part No. 2808 272		
	Consists of:		
	1 - Bearing		
	1 - Collar		
4-25-28	PARKING BRAKE, RELEASE VALVE SURGE TANK PACKAGE Part No. 2421 268		
	Consists of:		
	1 - Clamp		
	1 - Tank, Surge		
5-03-1	BRAKE SHOE and LINING PACKAGE Part No. 2808 490		
	3420 955		
	3420 958		
	3420 960		
	3420 963		
	3420 964		
	3420 959		
	Consists of:		
	2 - Lining, Frt. Whl. Primary		
	2 - Lining, Frt. Whl. Secondary		
	2 - Lining, Rr. Whl. Primary		
	2 - Lining, Rr. Whl. Secondary		
5-03-3	BRAKE SHOE and LINING PACKAGE DISC BRAKES Part No. 3004 828		
	3004 759		
	Consists of:		
	4 - Shoe and Linings		
5-03-3	BRAKE SHOE and LINING PACKAGE FRT. WHEEL Part No. 3004 851		
	3420 145		
	3420 146		
	3420 147		
	3420 148		
	3420 956		
	Consists of:		
	2 - Shoe and Lining, Primary		
	2 - Shoe and Lining, Secondary		
	BRAKE SHOE and LINING PACKAGE RR. WHEEL Part No. 3004 858		
	3420 952		
	3420 953		
	3420 149		
	3420 150		
	Consists of:		
	2 - Shoe and Linings, Primary		
	2 - Shoe and Linings, Secondary		
5-03-3	SHOE and LINING PACKAGE FRT. Part No. 3420 146		
	3420 147		
	3420 148		
	Consists of:		
	2 - Shoe and Lining Primary		
	1 - Shoe and Lining and Auto Adj. Lever Pin Rt.		
	1 - Shoe and Lining and Auto. Adj. Lever Pin Lt.		
	SHOE and LINING PACKAGE RR. Part No. 3420 149		
	3420 150		
	Consists of:		
	2 - Shoe and Lining Primary		
	2 - Shoe and Lining Secondary		
	SHOE and LINING PACKAGE RR. Part No. 3420 952		
	3420 953		
	3420 954		
	Consists of:		
	2 - Shoe and Lining Primary		
	1 - Shoe and Lining and Auto. Adj. Lever Pin Rt.		
	1 - Shoe and Lining and Auto. Adj. Lever Pin Lt.		
5-05-9	SEAL and BOOT PACKAGE FRT. WHEEL DISC Part No. 2808 699		
	Consists of:		
	4 - Seal Piston		
	4 - Boot Piston		
	SEAL, BOOT and BUSHING PACKAGE FRT. WHEEL DISC Part No. 3004 865		
	Consists of:		
	1 - Boot Piston		
	1 - Seal Piston		
	2 - Bushing		
	2 - Bushing		
	1 - Lubricant (1 oz.)		
	1 - 2944 722 Positioner Rt.		
	1 - 2944 723 Positioner Lt.		

CODE	PART NAME AND PART NUMBER	CODE	PART NAME AND PART NUMBER
5-39-1	MASTER CYL. REPAIR PKG. Part No. 3420 120 Consists of: 1 - Primary Piston 1 - Secondary Piston 1 - 2881 512 Gasket 1 - Spring 1 - Valve 2 - Seat 1 - 2881 519 Seal 1 - Screw	5-39-3	MASTER CYLINDER PACKAGE Part No. 2808 577 Consists of: 1 - Master Cylinder 1 - 2749 960 Ring 1 - 1828 389 Stop 1 - 180 018 Screw 1 - 1828 388 Boot
5-39-1	MASTER CYL. REPAIR PACKAGE Part No. 3420 962 Consists of: 1 - Primary Piston 1 - Secondary Piston 1 - 2823 994 Gasket 1 - Spring 2 - Valve 2 - Insert 1 - 6026 813 Screw and Washer 1 - 1828 388 Boot 1 - 2074 960 Lock Ring		MASTER CYLINDER PACKAGE Part No. 3420 961 Consists of: 1 - Master Cylinder 1 - 1828 389 Stop 2 - 180 018 Screw 2 - 6022 181 Washer 1 - 1828 388 Boot 1 - 2074 960 Lock Ring
	MASTER CYL. REPAIR PACKAGE Part No. 2808 578 Consists of: 1 - 2823 994 Gasket 2 - Valve 2 - Spring 2 - Insert, Tube 1 - Secondary Piston 1 - 2074 960 Ring 1 - 1828 388 Boot 1 - Stop Screw 1 - Primary Piston		MASTER CYLINDER PACKAGE Part No. 2808 600 Consists of: 1 - Master Cylinder 1 - 1828 388 Boot 1 - 1828 389 Stop 2 - 6022 201 Screw and Lock Washer 1 - 2074 960 Ring
	MASTER CYLINDER REPAIR PACKAGE Part No. 3420 967 Consists of: 1 - Primary Piston 1 - Secondary Piston 1 - Spring Valve 1 - Valve 2 - Seat 1 - 2881 512 Gasket 1 - 2881 519 Seal 1 - Screw 1 - 2944 381 Wire, Cover Bail	5-53-1	WHEEL CYLINDER SERVICE PACKAGE RR. Part No. 2808 695 Consists of: 2 - 2265 574 Cup 2 - 2072 636 Cup 2 - 2881 604 Boot, Cylinder
	MASTER CYLINDER REPAIR PACKAGE Part No. 3420 968 Consists of: 1 - Primary Piston 1 - Secondary Piston 1 - Spring Valve 1 - Seat 2 - 2944 466 Gasket 1 - 2881 519 Seal 1 - Screw 1 - 2944 467 Wire, Cover Bail	6-17-3	CLUTCH LEVER PACKAGE Part No. 2240 634 Consists of: 3 - Eyebolt 3 - Lever 3 - Nut 3 - Pin 3 - Spring 3 - Strut
			CLUTCH LEVER PACKAGE Part No. 2495 052 Consists of: 3 - Clip 3 - Lever 3 - Nut 3 - Pin 3 - Screw 3 - Washer
			CLUTCH LEVER PACKAGE Part No. 2525 473 Consists of: 3 - Clip 3 - Lever 3 - Nut 3 - Pin 3 - Screw 3 - Washer

1969 PASSENGER CAR PARTS CATALOG

PARTS PACKAGES

CODE	PART NAME AND PART NUMBER	CODE	PART NAME AND PART NUMBER
	<p>CLUTCH LEVER PACKAGE Part No. 2808 435</p> <p>Consists of:</p> <ul style="list-style-type: none"> 3 - Clip 3 - Lever 3 - Nut 3 - Pin 3 - Screw 3 - Washer 		<p>LAMP, REFLECTOR and BEZEL PACKAGE, SIDE MARKER Part No. = 3420 854-5</p> <p>Consists of:</p> <ul style="list-style-type: none"> 1 - 3403 766-7 Bezel 1 - 3403 770 Bracket 2 - 6028 399 Cap Nut 1 - 3403 637 Lamp 1 - 3403 646 Reflector 2 - Screw, Bezel Mtg.
8-14-1	<p>LAMP, REFLECTOR and BEZEL PACKAGE, SIDE MARKER Part No. = 3420 646-7</p> <p>Consists of:</p> <ul style="list-style-type: none"> 1 - 3403 630-1 Bezel 2 - 6027 639 Cap Nut 2 - 6028 399 Cap Nut 1 - 3403 618 Lamp 1 - Reflector 1 - 3403 635 Retainer 	8-14-6	<p>LENS and GASKET PACKAGE, SIDE MARKER LAMP Part No. = 3420 730-1</p> <ul style="list-style-type: none"> = 3420 782-3 = 3420 792-3 = 3420 794-5 = 3420 796-7 = 3420 820-1 = 3420 830-1 = 3420 842-3 = 3420 852-3 = 3420 862-3 = 3420 866-7 = 3420 868-9 = 3420 926-7 = 3420 928-9 = 3420 932-3 <p>Consists of:</p> <ul style="list-style-type: none"> 1 - Gasket 1 - Lens
	<p>LAMP, REFLECTOR and BEZEL PACKAGE, SIDE MARKER Part No. = 3420 714-5</p> <p>Consists of:</p> <ul style="list-style-type: none"> 1 - 3403 640-1 Bezel 2 - 6027 639 Cap Nut 2 - 6028 399 Cap Nut 1 - 3403 637 Lamp 1 - 3403 635 Retainer 1 - 3403 646 Reflector 		
	<p>LAMP and REFLECTOR PACKAGE, SIDE MARKER Part No. = 3420 788-9</p> <p style="padding-left: 100px;">= 3420 790</p> <p>Consists of:</p> <ul style="list-style-type: none"> 1 - 9417 863 Bulb 1 - Housing 2 - 6028 329 J-Nut 1 - Lens 2 - 9414 732 Screw 1 - Socket, Cable and Plate 	8-15-27	<p>CABLE PACKAGE, FUSIBLE LINK Part No. = 2983 798</p> <p>Consists of:</p> <ul style="list-style-type: none"> 3 - Cable
	<p>LAMP and REFLECTOR PACKAGE, SIDE MARKER Part No. = 3420 823</p> <p>Consists of:</p> <ul style="list-style-type: none"> 2 - 6027 639 Cap Nut 1 - Housing 1 - Lens 1 - Retainer 	8-27-77	<p>SPRING and HINGE PACKAGE, CAP Part No. 1879 606</p> <p>Consists of:</p> <ul style="list-style-type: none"> 1 - Spring and Hinge, Locating 1 - Spring and Hinge
	<p>LAMP and REFLECTOR PACKAGE, SIDE MARKER Part No. = 3420 828-9</p> <p>Consists of:</p> <ul style="list-style-type: none"> 2 - 6027 639 Cap Nut 1 - Housing 1 - 3403 737 Lens and Reflector 1 - 3403 828 Retainer 	8-27-85	<p>CONTACT and SPRING PACKAGE, CAP PLUNGER Part No. 2084 655</p> <p>Consists of:</p> <ul style="list-style-type: none"> 1 - Contact 1 - Spring
		8-27-133	<p>BEARING and THRUST WASHER PACKAGE, SHAFT Part No. 2585 021</p> <p>Consists of:</p> <ul style="list-style-type: none"> 2 - Bearing 3 - Thrust Washer 1 - Pin, Collar 1 - Snap Ring, Cam 1 - Spacer, Cam

1969 PASSENGER CAR PARTS CATALOG

CODE	PART NAME AND PART NUMBER	CODE	PART NAME AND PART NUMBER
<p>8-27-137 COLLAR and PIN PACKAGE, SHAFT Part No. 2585 022 Consists of: 1 - Collar, Drive 1 - Pin, Collar 1 - Thrust Washer, Lwr.</p>	<p>8-37-90 BEZEL and LENS PACKAGE, SPEED and INST. CLUSTER, MILE Part No. # 2984 490 Consists of: 1 - Bezel 1 - Lens</p>		
<p>COLLAR and PIN PACKAGE, SHAFT Part No. 2932 988 Consists of: 1 - Collar 1 - Pin, Collar 1 - Thrust Washer</p>	<p>BEZEL and LENS PACKAGE, SPEED and INST. CLUSTER, MILE Part No. # 2984 491 Consists of: 1 - Bezel 1 - Lens</p>		
<p>8-27-352 GEAR and PIN PACKAGE, SHAFT Part No. 2084 653 Consists of: 1 - Gear 1 - Pin 1 - Thrust Washer</p>	<p>8-37-178 HOUSING PACKAGE, INST. CLUSTER Part No. # 3420 741 Consists of: 1 - Housing 1 - Lens, Brake System Lamp 1 - Seal, Brake System Lamp</p>		
<p>8-29-17 BRUSH and WASHER PACKAGE Part No. # 3420 893 Consists of: 2 - Brush 2 - Washer, Brush Mtg. Insulator</p>	<p>HOUSING PACKAGE, SPEED and INST. CLUSTER Part No. # 3420 838 Consists of: 1 - Dial, Gearshift Indicator 1 - Housing</p>		
<p>8-29-99 RETAINER, WASHER and SLIP RING PACKAGE, ROTOR GREASE Part No. 2586 512 Consists of: 1 - Slip Ring, Rotor 2 - Retainer 1 - Washer, Rotor Grease Ret.</p>	<p>HOUSING PACKAGE, SPEED and INST. CLUSTER Part No. # 3420 858 Consists of: 1 - Housing 1 - Lens, Door Ajar Warning Lamp 1 - Seal, Turn Signal and Door Ajar Warning Lamp</p>		
<p>8-29-129 CAPACITOR and INSULATOR PACKAGE Part No. 2421 137 Consists of: 1 - Capacitor and Bolt 1 - Insulator, Heat Sink 1 - Insulator, Capacitor Bolt 2 - Lockwasher 2 - Nut, Hex 1 - Washer, Plain</p>	<p>8-41-17 HOUSING and LENS PACKAGE, WARNING LAMP Part No. 2932 818 Consists of: 1 - Housing 1 - Lens, Cold Warning Lamp 1 - Lens, Warning Lamp</p>		
<p>8-32-2 HORN PACKAGE, UNIVERSAL, LOW NOTE Part No. 2808 868 HIGH NOTE Part No. 2808 869 Consists of: 1 - Bracket, Long 1 - Bracket, Short 1 - Horn 3 - Lockwasher, Brkt. to Horn Mtg. Screw 3 - Screw, Brkt. to Horn Mtg. 1 - Screw and Washer, Brkt. to Car Mtg.</p>	<p>8-50-184 COVER and WELT PACKAGE, FENDER TURN SIGNAL INDICATOR LAMP Part No. 2932 844-5 Consists of: 1 - Cover 1 - Welt</p>		
<p>8-34-278 GEAR and GASKET PACKAGE, ROTATING HEADLAMP Part No. = 3420 910 = 3420 922 Consists of: 1 - Gasket 1 - Gear</p>			

CODE	PART NAME AND PART NUMBER	CODE	PART NAME AND PART NUMBER
8-50-334	LENS and GASKET PACKAGE, PARKING and TURN SIGNAL LAMP Part No. # 3420 552-3 # 3420 554-5 # 3420 584-5 # 3420 618-9 # 3420 628-9 # 3420 630-1 # 3420 632-3 # 3420 636-7 # 3420 638-9 # 3420 640-1 # 3420 648-9 # 3420 702-3 # 3420 710-1 # 3420 742-3 # 3514 302-3	8-52-87	ACTUATOR and RETAINING RING PACKAGE, CLUTCH SHIFTING Part No. 2275 556 Consists of: 2 - Actuator, Clutch Shifting 1 - Ret. Ring, Clutch Actuator
	Consists of: 1 - Gasket 1 - Lens	8-52-96	GEAR and SNAP RING PACKAGE, PINION SHAFT Part No. 2275 557 Consists of: 1 - Gear, Pinion Shaft 1 - Snap Ring, Pinion Shaft Gear Ret. 1 - Washer, Pinion Shaft Gear Friction
	LENS and GASKET PACKAGE, CORNERING LAMP Part No. # 3420 644-5 # 3420 704-5 # 3420 708-9	8-52-98	THRUST WASHER and RETAINING RING PACKAGE, PINION SHAFT Part No. 2275 558 Consists of: 1 - 6022 006 Ret. Ring, Pinion Shaft 2 - Washer, Pinion Shaft Thrust
	Consists of: 1 - Gasket 1 - Lens	8-52-121	THRUST WASHER PACKAGE, ARMATURE Part No. 2275 555 Consists of: 6 - Washer, Thrust
8-50-349	SOCKET, CABLE, PLATE and GASKET PACKAGE, PARKING and TURN SIGNAL LAMP Part No. # 3420 712	8-52-135	BRUSH PACKAGE Part No. 2525 529 Consists of: 1 - Brush 1 - Brush, Field Shunt Coil 1 - Screw and Washer, Brush Att.
	Consists of: 1 - Gasket 1 - Socket	8-52-137	PLATE and BRUSH PACKAGE, BRUSH HOLDER Part No. 2932 812 Consists of: 1 - Brush and Terminal, Negative 1 - Plate, Brush Holder
8-52-49	FORK and PIN PACKAGE, SHIFTING Part No. 2084 093	8-52-140	SPRING PACKAGE, BRUSH Part No. 2084 666 Consists of: 4 - Spring, Brush
	Consists of: 1 - Fork, Shifting 1 - Pin, Roll	8-52-180	THRUST WASHER PACKAGE, COMMUTATOR END Part No. 2240 529 Consists of: 10 - Washer
8-52-82	STOP, SNAP RING and STOP WASHER PACKAGE, PINION Part No. 2448 804	8-52-214	FIELD SERIES COIL PACKAGE Part No. 2084 088 Consists of: 2 - Coil
	Consists of: 1 - Ring, Pinion Stop Snap 1 - Stop, Pinion 1 - Washer, Pinion Stop		FIELD SERIES COIL PACKAGE Part No. 2275 248 Consists of: 2 - Coil 4 - Insulator, Field Pole 1 - Rivet, Field Series Coil Ground
8-52-86	LINK PACKAGE, CLUTCH STARTER SWITCH ACTUATOR Part No. # 3514 257		
	Consists of: 1 - Link, Retaining 1 - Link, Actuator 1 - 6028 260 Rivet, Blind Type		

1969 PASSENGER CAR PARTS CATALOG

CODE	PART NAME AND PART NUMBER	CODE	PART NAME AND PART NUMBER
8-52-341 CONTACT and COVER GASKET PACKAGE, SOLENOID Part No. 2084 091 Consists of: 1 - Contact, Solenoid 1 - Gasket, Cover 2 - Spring		5 - 6023 111 J-Nut 1 - Lens and Bezel 6 - 6027 475 Screw 5 - 9414 743 Screw	
8-52-342 CONTACT and SPRING PACKAGE, SOLENOID SWITCH Part No. 2932 814 Consists of: 1 - Contact, Solenoid Switch 2 - Spring 1 - Seal, Solenoid		LAMP PACKAGE, QTR. PANEL TAIL, STOP and TURN SIGNAL Part No. = 3420 824-5 Consists of: 1 - 9414 723 Bulb 1 - Housing 1 - 6023 111 J-Nut 1 - Lens 2 - Screw, Bezel Att. (Inboard) 2 - Screw, Bezel Att. (Outboard) 3 - Screw, Hsg. Att. 1 - Screw, Hsg. Mtg. (Top)	
8-52-344 COVER and GASKET PACKAGE, SOLENOID Part No. 2084 090 Consists of: 1 - Cover 1 - Gasket, Cover		LAMP PACKAGE, TAILGATE TAIL, STOP and TURN SIGNAL Part No. = 3420 840-1 Consists of: 1 - 9417 867 Bulb 1 - Housing 4 - 6014 023 J-Nut 1 - Lens and Bezel 4 - Screw, Hsg. to Panel Att. 4 - Screw, Lens and Bezel to Hsg. Att.	
8-52-345 SOLENOID PACKAGE Part No. 2932 813 Consists of: 1 - Nut, Hex 1 - Seal, Solenoid 1 - Solenoid 3 - Washer			
8-52-354 STUD PACKAGE, TERMINAL RELAY Part No. 2084 094 Consists of: 1 - Insulator, Relay Stud 1 - Nut, Hex 1 - Stud 2 - Washer			
STUD PACKAGE, TERMINAL RELAY Part No. 2932 815 Consists of: 1 - Nut, Solenoid Ball Stud Sealing 2 - Stud 1 - Washer, Solenoid Relay Stud Insulator			
8-55-1 LAMP PACKAGE, TAILGATE TAIL STOP and TURN SIGNAL Part No. 2932 740-1 Consists of: 1 - 9418 903 Bulb 1 - Housing 1 - Lens and Bezel 4 - J-Nut 4 - Screw, Lens and Bezel to Hsg. Att. 4 - Screw, Hsg. to Panel Att.			
LAMP PACKAGE, TAILGATE TAIL, STOP and TURN SIGNAL Part No. 2932 750-1 Consists of: 1 - 142 450 Bulb, Tail Lamp 1 - 9417 867 Bulb, Tail, Stop and Turn Signal Lamp 1 - Housing			
			8-55-194 LENS and GASKET PACKAGE, TAIL, STOP and TURN SIGNAL LAMP Part No. 2932 738-9 2932 742-3 2932 746-7 2932 752-3 2932 792-3 = 3420 556-7 # 3420 592-3 # 3420 596-7 # 3420 616-7 # 3420 620-1 # 3420 622-3 # 3420 626-7 # 3420 706-7 # 3420 716-7 # 3420 718-9 # 3420 720-1 # 3420 738-9 # 3420 784-5 # 3420 818-9 # 3420 836-7 # 3420 856-7 # 3420 860-1 # 3514 258-9 # 3514 260-1 Consists of: 1 - Gasket 1 - Lens

CODE	PART NAME AND PART NUMBER	CODE	PART NAME AND PART NUMBER
	LENS, FILTER and GASKET PACKAGE, TAIL STOP and TURN SIGNAL LAMP Part No. = 3420 588-9 = 3420 590-1		6 - 2205 959 Shield, Exhaust Valve Stem Oil 6 - 2205 801 Shield, Intake Valve Stem Oil
	Consists of: 1 - Filter 1 - Gasket 1 - Lens		GASKET SET, ENGINE Part No. 3420 241 Consists of: 1 - 2129 012 Gasket, Chain Case Cover 2 - 2806 984 Gasket, Cylinder Head 2 - 2463 290 Gasket, Cylinder Head Cover 1 - 50 082 Gasket, Cylinder Water Outlet 1 - 2951 285 Gasket, Exhaust Manifold, w/Heat Shield, Left 1 - 2843 770 Gasket, Fuel Pump Flange 1 - 1326 836 Gasket, Ignition Distributor 2 - Gasket, Intake Manifold 1 - Gasket, Intake Manifold, Front 1 - Gasket, Intake Manifold, Rear 2 - Gasket, Oil Pan 2 - Gasket, Oil Pan, End 1 - 2129 013 Gasket, Water Pump Body 1 - 6027 245 "O" Ring, Ignition Distributor Housing 1 - 2875 923 "O" Ring, Ignition Distributor Housing 1 - 2899 532 Oil Seal, Chain Case Cover 1 - Seal, Crankshaft Bearing No. 5 Oil, Left 1 - Seal, Crankshaft Bearing No. 5 Oil, Right 2 - Seal, Crankshaft Bearing Oil 1 - Sealer, Intake Manifold End Gasket 16 - 2205 958 Shield, Valve Stem Oil
8-56-1	LAMP PACKAGE, BACK-UP LAMP Part No. = 3514 254-5 Consists of: 1 - 9417 866 Bulb 1 - Housing 1 - Lens 2 - 9425 250 Screw, Lens Mtg. 2 - 9418 515 Screw, Hsg. Mtg.		GASKET SET, ENGINE Part No. 3004 615 Consists of: 2 - 1821 170 Gasket, Air Cleaner to Carburetor 2 - 2780 629 Gasket, Carburetor Flange 1 - 2264 794 Gasket, Chain Case Cover 2 - 2468 010 Gasket, Cylinder Head 2 - 2780 566 Gasket, Cylinder Head Cover 1 - 50 082 Gasket, Cylinder Water Outlet Elbow 2 - 2780 534 Gasket, Exhaust Manifold 1 - 2843 770 Gasket, Fuel Pump Flange 2 - 2780 614 Gasket, Heat Tube 2 - Gasket, Intake Manifold 1 - 2780 614 Gasket, Intake Manifold Exhaust Pipe 2 - Gasket, Intake Manifold End 1 - 2780 680 Gasket, Intake Manifold Plug 1 - 1326 836 Gasket, Ignition Distributor 1 - 2658 685 Gasket, Oil Pan 1 - Gasket, Oil Pump Body 1 - 618 622 Gasket, Oil Pressure Relief Valve Cap 1 - 1737 705 Gasket, Water Pump Body 2 - 1737 761 Gasket, Water Pump Housing to Cylinder Block 1 - 2536 481 Seal, Case Cover Oil 2 - Seal, Crankshaft Bearing Oil 2 - Seal, Crankshaft Bearing Retainer 16 - Seal, Intake and Exhaust Valve Stem Oil 1 - 1855 328 Seal, Oil Pump Body 1 - 2268 921 Seal, Oil Pump Cover, Large 1 - Seal, Oil Pump Cover, Small 8 - 2899 547 Shield, Intake Valve Stem Oil 8 - 2899 548 Shield, Exhaust Valve Stem Oil
8-56-8	LENS and GASKET PACKAGE, BACK-UP LAMP Part No. 2932 954 2932 993 = 3420 581 = 3420 582-3 = 3420 594-5 = 3420 728-9		
	Consists of: 1 - Gasket 1 - Lens		
8-57-54	LENS and GASKET PACKAGE, LICENSE LAMP Part No. 2585 174 = 3420 839		
	Consists of: 1 - Gasket 1 - Lens		
9-01-5	GASKET SET, ENGINE Part No. 3004 839 Consists of: 1 - 1947 554 Gasket, Chain Case Cover 1 - 2843 182 Gasket, Cylinder Head 1 - 2121 244 Gasket, Cylinder Head Cover 1 - 2899 250 Gasket, Cylinder Head Cover 1 - 1947 671 Gasket, Cylinder Water Outlet Elbow 1 - 2465 391 Gasket, Exhaust Pipe Flange 1 - 2843 770 Gasket, Fuel Pump Flange 1 - 1947 762 Gasket, Intake and Exhaust Manifold 1 - 2843 279 Gasket, Intake to Exhaust Manifold 1 - 1947 793 Gasket, Oil Pan, Front 1 - 2205 801 Gasket, Oil Pan, Rear 1 - 1947 678 Gasket, Oil Pan, Left 1 - 1947 677 Gasket, Oil Pan, Right 1 - 618 622 Gasket, Oil Pressure Relief Valve Cap 1 - 2121 404 Gasket, Oil Pump Body 1 - 1947 521 Gasket, Water Pump Body 1 - 1947 523 Gasket, Water Pump Intermediate Plate 1 - 2899 531 Seal, Chain Case Cover Oil 2 - 1821 391 Seal, Crankshaft Bearing Oil 2 - 1947 558 Seal, Crankshaft Bearing Oil Seal Retainer		

1969 PASSENGER CAR PARTS CATALOG

CODE	PART NAME AND PART NUMBER	CODE	PART NAME AND PART NUMBER
9-10-2 OIL SEAL PACKAGE, CRANKSHAFT REAR BEARING NO. 5 CAP Part No. 1326 091 Consists of: 2 - Oil Seal Bearing 1 - Oil Seal Bearing Cap, Right 1 - Oil Seal Bearing Cap, Left	10-24-1 GASKET PACKAGE, OIL PAN Part No. # 3514 157 Consists of: 2 - Gasket, Oil Pan Side 2 - Gasket, Oil Pan End GASKET PACKAGE, OIL PAN Part No. 2240 647 Consists of: 1 - Gasket, Oil Pan, Rt. 1 - Gasket, Oil Pan, Lt. 1 - Gasket, Oil Pan, Front 1 - Gasket, Oil Pan, Rear		
9-11-1 OIL SEAL PACKAGE, CRANKSHAFT REAR BEARING Part No. 1326 093 Consists of: 2 - Oil Seal, Bearing 1 - Oil Seal, Bearing Cap, Right 1 - Oil Seal, Bearing Cap, Left	10-26-8 CARTRIDGE, OIL FILTER Part No. 2532 752 Consists of: 1 - Cartridge 1 - 2532 753 Gasket, Filter Body 1 - 2532 754 Gasket, Filter Cover		
OIL SEAL PACKAGE, CRANKSHAFT REAR BEARING Part No. 2275 365 Consists of: 2 - Oil Seal, Rear Bearing 2 - Oil Seal, Rear Bearing Retainer	13-72-4 BAR and BASE PACKAGE, BUMPER JACK Part No. 2808 641 2932 519 # 3419 940 Consists of: 1 - Bar 1 - Base		
9-58-1 HEAT CONTROL VALVE PACKAGE, MANIFOLD Part No. # 3420 047 Consists of: 2 - Bushing 1 - Counterweight, Valve 1 - Plate 2 - Seal, Valve Shaft 1 - Shaft 1 - 3462 514 Spring, Valve Shaft Damper 1 - Stop, Valve 1 - Thermostat	17-15-25 CLIP and CLAMP PACKAGE, REAR SPRING ALIGNMENT INSULATOR Part No. 2808 399 Consists of: 1 - Clamp 1 - Clip 1 - 1829 929 Insulator		
10-07-2 GASKET AND SEAL PACKAGE, OIL PUMP Part No. 2084 355 Consists of: 3 - Gasket 1 - Seal	17-16-1 SHACKLE and BUSHING PACKAGE, REAR SPRING . . . Part No. 3004 822 Consists of: 4 - 1940 725 Bushing, Shackle 2 - 118 615 Nut, Shackle Pin 1 - Plate, Shackle 1 - Shackle w/Pin		
10-07-3 SHAFT and ROTOR PACKAGE, OIL PUMP DRIVE Part No. 2084 354 2084 415 Consists of: 1 - Rotor, Outer 1 - Shaft, Drive	SHACKLE and BUSHING PACKAGE, REAR SPRING . . . Part No. # 3514 980 Consists of: 4 - 2403 154 Bushing, Shackle 1 - Insert, Shackle Bushing 2 - 271 502 Nut, Shackle Bolt 1 - Plate, Shackle-Loose 1 - Shackle, w/Pin		
10-07-6 OIL PUMP PACKAGE Part No. 2808 507 Consists of: 1 - 2121 404 Gasket 1 - Pump OIL PUMP PACKAGE Part No. 2808 509 2808 510 Consists of: 1 - Gasket 1 - Pump	SHACKLE and BUSHING PACKAGE, REAR SPRING Part No. 3004 823 # 3420 118 Consists of: 4 - 1400 269 Bushing, Shackle 2 - 271 502 Nut, Shackle Pin 1 - Plate, Shackle 1 - Shackle w/Pin		

CODE	PART NAME AND PART NUMBER	CODE	PART NAME AND PART NUMBER
17-16-1	Cont'd.		
	SHACKLE and BUSHING PACKAGE, REAR SPRING Part No. 3004 824 # 3514 978 # 3514 979	1 -	Washer, Strg. Gear Shaft Adjusting Screw
	Consists of:	1 -	Washer, Strg. Gear Shaft Adjusting Screw
	4 - 1400 269 Bushing, Shackle		OVERHAUL PACKAGE, STEERING Part No. 2808 420
	1 - Insert, Shackle Bushing		Consists of:
	2 - 271 502 Nut, Shackle Pin	3 - 2126 890 Bearing, Strg. Gear Shaft	
	1 - Plate, Shackle	2 - 2072 060 Bearing, Strg. Gear Worm Thrust	
	1 - Shackle, w/Pin	2 - 2127 097 Cup, Strg. Gear Worm Thrust Bearing	
17-23-3	ABSORBER and BUSHING PACKAGE, FRONT SHOCK Part No. 2525 460 2525 461 2808 378 2808 379 3004 960 3004 961 3004 777 3004 778	1 - 2127 108 Gasket, Strg. Gear Shaft Cover	
	Consists of:	1 - 2127 154 Seal, Strg. Gear Shaft Oil	
	1 - Absorber	1 - 2267 156 Seal, Strg. Gear Worm Shaft	
	1 - 2206 923 Bushing	1 - Washer, Strg. Gear Shaft Adjusting Screw	
	ABSORBER and BUSHING PACKAGE, FRONT SHOCK Part No. 3004 958 3004 959	1 - Washer, Strg. Gear Shaft Adjusting Screw	
	Consists of:	1 - Washer, Strg. Gear Shaft Adjusting Screw	
	1 - Absorber		19-01-4 "O" RING and SEAL PACKAGE, POWER STEERING GEAR Part No. 3004 996
	1 - 2206 923 Bushing		Consists of:
	1 - 2206 925 Washer	1 - 1733 724 Gasket, Valve Housing Plug	
19-01-3	OVERHAUL PACKAGE, STEERING Part No. 2525 481	1 - 1733 602 "O" Ring, Column Support	
	Consists of:	2 - 1733 562 "O" Ring, Cylinder Head	
	2 - 2126 760 Bearing, Steering Gear Shaft	1 - 1486 205 "O" Ring, Cylinder Head Ferrule	
	2 - 2072 060 Bearing, Steering Gear Worm Thrust	1 - 1316 849 "O" Ring, Housing (up to jobs)	
	2 - 2127 097 Cup, Steering Gear Worm Thrust Bearing	1 - 1823 150 "O" Ring, Housing (after jobs)	
	1 - 2267 468 Gasket, Steering Gear Shaft Cover	2 - 1556 385 "O" Ring, Housing Port	
	1 - Seal, Steering Gear Shaft Oil	1 - 1536 268 "O" Ring, Pressure Control Valve	
	1 - 2267 156 Seal, Steering Gear Worm Shaft	1 - 1822 149 "O" Ring, Reaction, Lower	
	1 - Shim, Steering Gear Shaft Adjusting Screw	1 - 2537 716 "O" Ring, Shaft Cover	
	1 - Shim, Steering Gear Shaft Adjusting Screw	1 - 1733 615 "O" Ring, Shaft Cover	
	1 - Shim, Steering Gear Shaft Adjusting Screw	1 - 1733 612 "O" Ring, Valve Housing	
	OVERHAUL PACKAGE, STEERING Part No. 2808 419	1 - 1822 151 Seal, Reaction, Upper	
	Consists of:	1 - 1822 203 Seal, Shaft Adjusting Screw	
	2 - 2072 060 Bearing, Strg. Worm Thrust	1 - Seal, Shaft Dust	
	2 - 2267 128 Bushing, Strg. Gear Shaft	1 - 2537 153 Seal, Shaft Oil	
	2 - 2127 097 Cup, Strg. Gear Worm Thrust Bearing	1 - 1822 324 Seal, Worm Shaft, Inner	
	1 - 2127 108 Gasket, Strg. Gear Shaft Cover	"O" RING and SEAL PACKAGE, POWER STEERING GEAR Part No. 3004 997	
	1 - 2127 154 Seal, Strg. Gear Shaft Oil	Consists of:	
	1 - 2267 156 Seal, Strg. Gear Worm Shaft	1 - 1733 724 Gasket, Valve Housing Plug	
	1 - Washer, Strg. Gear Shaft Adjusting Screw	1 - 1733 602 "O" Ring, Column Support	
		2 - 1733 562 "O" Ring, Cylinder Head	
		1 - 1486 205 "O" Ring, Cylinder Head Ferrule	
		1 - 1316 849 "O" Ring, Housing (up to jobs)	
		1 - 1823 150 "O" Ring, Housing (after jobs)	
		2 - 1556 385 "O" Ring, Housing Port	
		1 - 1536 268 "O" Ring, Pressure Control Valve	
		1 - 1823 091 "O" Ring, Reaction, Lower	
		1 - 1733 615 "O" Ring, Shaft Cover	
		1 - 2537 716 "O" Ring, Shaft Cover	
		1 - 1733 612 "O" Ring, Valve Housing	
		1 - 1733 593 Seal, Reaction, Upper	
		1 - 1822 203 Seal, Shaft Adjusting Screw	
		1 - 2267 350 Seal, Shaft Dust	

CODE	PART NAME AND PART NUMBER	CODE	PART NAME AND PART NUMBER
1 - 2537 153	Seal, Shaft Oil	19-27-45	BOLT PACKAGE, STEERING LINK IDLER ARM BRACKET END Part No. 3004 804 Consists of: 1 - 6027 776 Bolt, Strg. Link Idler Arm Bracket End 1 - 128 025 Nut, Strg. Link Idler Arm Bracket Bolt
1 - 1822 324	Seal, Worm Shaft, Inner		
	"O" RING and SEAL		
	PACKAGE, POWER		
	STEERING GEAR Part No. 3004 998		
	Consists of:		
1 - 1733 724	Gasket, Valve Housing Plug		
1 - 1733 602	"O" Ring, Column Support		
2 - 1733 562	"O" Ring, Cylinder Head		
1 - 1486 205	"O" Ring, Cylinder Head Ferrule		
1 - 1823 150	"O" Ring, Housing		
2 - 1556 385	"O" Ring, Housing Port		
1 - 1536 268	"O" Ring, Pressure Control Valve		
1 - 1822 149	"O" Ring, Reaction, Lower		
1 - 1733 615	"O" Ring, Shaft Cover		
1 - 2537 716	"O" Ring, Shaft Cover		
1 - 1733 612	"O" Ring, Valve Housing		
1 - 1822 151	Seal, Reaction, Upper		
1 - 1822 203	Seal, Shaft Adjusting Screw		
1 - 2267 351	Seal, Shaft Dust		
1 - 2537 154	Seal, Shaft Oil		
1 - 1822 324	Seal, Worm Sleeve		
19-19-1	SEAL PACKAGE, STEERING	19-27-45	BOLT PACKAGE, STEERING LINK IDLER ARM BRACKET END Part No. 3004 805 Consists of: 1 - 6027 777 Bolt, Strg. Link Idler Arm Bracket End 1 - 128 025 Nut, Strg. Link Idler Arm Bracket Bolt
	GEAR SHAFT COVER Part No. 3004 995		
	Consists of:		
1 - 2537 716	"O" Ring, Cover		
1 - 1822 203	Seal, Shaft Adjusting Screw		
19-19-40	WASHER PACKAGE, STEERING GEAR SHAFT ADJUSTING SCREW Part No. 2279 961	19-48-7	SMALL PARTS PACKAGE, GEARSHIFT CONTROL Part No. 2808 426 Consists of: 2 - 2781 445 Bushing, Gearshift Control Rod Strg. Column Lever 1 - 2208 159 Bushing, Gearshift Control Torque Shaft Bracket 2 - 1137 669 Clip, Gearshift Control Rod Swivel 2 - 1137 669 Clip, Gearshift Control Rod 2 - 2781 444 Grommet, Gearshift Control Rod Strg. Column Lever 1 - 2208 158 Grommet, Gearshift Control Torque Shaft Bracket 1 - 1671 569 Retainer, Gearshift Control Torque Shaft 2 - 2208 172 Spacer, Gearshift Control Torque Shaft 1 - 631 217 Washer, Gearshift Control Rod 4 - 631 217 Washer, Gearshift Control Rod Swivel 2 - 6023 085 Washer, Gearshift Control Torque Shaft Plain 1 - 6023 086 Washer, Gearshift Control Torque Shaft Spring
	Consists of:		
3 -	Washer		
19-27-2	ARM PACKAGE, STEERING LINK GEAR Part No. 3004 807		
	Consists of:		
1 - 2835 827	Arm, Strg. Link Gear		
1 - 9425 132	Nut, Strg. Link Gear Arm		
	ARM PACKAGE, STEERING LINK GEAR Part No. 3004 810		
	Consists of:		
1 - 2835 840	Arm, Strg. Link Gear		
1 - 128 005	Nut, Strg. Link Gear Arm		
	ARM PACKAGE, STEERING LINK GEAR Part No. 3004 811		
	Consists of:		
1 - 2835 835	Arm, Strg. Link Gear		
1 - 9425 132	Nut, Strg. Link Gear Arm		
	ARM PACKAGE, STEERING LINK GEAR Part No. 3004 812		
	Consists of:		
1 - 2835 841	Arm, Strg. Link Gear		
1 - 128 025	Nut, Strg. Link Gear Arm		
	ARM PACKAGE, STEERING LINK GEAR Part No. 3004 813		
	Consists of:		
1 - 2835 854	Arm Strg. Link Gear		
1 - 9425 132	Nut, Strg. Link Gear Arm		

CODE	PART NAME AND PART NUMBER	CODE	PART NAME AND PART NUMBER
	SMALL PARTS PACKAGE, GEARSHIFT CONTROL Part No. 2808 427 Consists of: 1 - 2208 159 Bushing, Gearshift Control Torque Shaft Bracket 2 - 1137 669 Clip, Gearshift Control Rod Swivel 1 - 2208 158 Grommet, Gearshift Control Torque Shaft Bracket 1 - 1671 569 Retainer, Gearshift Control Torque Shaft 2 - 2208 172 Spacer, Gearshift Control Torque Shaft 1 - 1618 918 Washer, Gearshift Control Rod 2 - 631 217 Washer, Gearshift Control Rod 2 - 631 217 Washer, Gearshift Control Rod Swivel 1 - 1618 918 Washer, Gearshift Control Rod Swivel 2 - 6023 085 Washer, Gearshift Control Torque Shaft, Plain 1 - 6023 086 Washer, Gearshift Control Torque Shaft Spring		19-58-7 HOSE PACKAGE, POWER STRG. PUMP PRESSURE Part No. 3004 833 Consists of: 1 - 2891 082 Hose, Pressure 1 - 1859 445 "O" Ring, Pressure Hose Pump Fitting 1 - 2891 133 Sleeve, Pressure Hose
	19-54-2 PUMP PACKAGE, POWER STEERING Part No. 3004 799 Consists of: 1 - 2537 869 "O" Ring, Power Steering Pump Reservoir Flange 1 - 2891 129 Pump, Power Steering 1 - 2127 486 Seal, Power Steering Pump Oil Reservoir Mounting		HOSE PACKAGE, POWER STRG., PUMP PRESSURE Part No. 3004 834 Consists of: 1 - 2891 084 Hose, Pressure 1 - 1859 445 "O" Ring, Pressure Hose Pump Fitting 1 - 2891 133 Sleeve, Pressure Hose
	PUMP PACKAGE, POWER STEERING Part No. 3004 800 Consists of: 1 - 2537 869 "O" Ring, Power Steering Pump Reservoir Flange 1 - 2891 130 Pump, Power Steering 1 - 2127 486 Seal, Power Steering Pump Oil Reservoir Mounting		HOSE PACKAGE, POWER STRG. PUMP PRESSURE Part No. 3004 835 Consists of: 1 - 2891 079 Hose, Pressure 1 - 1859 445 "O" Ring, Pressure Hose Pump Fitting
	PUMP PACKAGE, POWER STEERING Part No. 3004 801 Consists of: 1 - 2537 869 "O" Ring, Power Steering Pump Reservoir Flange 1 - 2891 131 Pump, Power Steering 1 - 2127 486 Seal, Power Steering Pump Oil Reservoir Mounting		HOSE PACKAGE, POWER STRG. PUMP PRESSURE Part No. 3420 193 Consists of: 1 - 2891 232 Hose, Pressure 1 - 1859 445 "O" Ring, Pressure Hose Pump Fitting
	19-54-54 PACKAGE, POWER STRG. PUMP ROTATING GROUP Part No. 2537 995 Consists of: 1 - Cam 1 - 2537 951 Plate, Front 1 - 2537 627 Plate, Pressure 2 - 1738 681 Ring, Snap 12 - 2537 099 Roller 1 - Rotor		HOSE PACKAGE, POWER STRG. PUMP PRESSURE Part No. 3420 194 Consists of: 1 - 2891 214 Hose, Pressure 1 - 1859 445 "O" Ring, Pressure Hose Pump Fitting
			HOSE PACKAGE, POWER STRG. PUMP PRESSURE Part No. 3004 836 Consists of: 1 - 2891 083 Hose, Pressure 1 - 1859 445 "O" Ring, Pressure Hose Pump Fitting
			HOSE PACKAGE, PUMP STRG. PUMP PRESSURE Part No. 3004 887 Consists of: 1 - Hose Pressure 1 - 1859 445 "O" Ring, Pressure Hose Pump Fitting
			21-01-03 GASKET and SEAL PACKAGE, MANUAL TRANSMISSION Part No. 3420 066 Consists of: 1 - 1949 346 Gasket, Case, Cover 1 - 2801 692 Seal, Drive Pinion 1 - 1949 361 Gasket, Extension 1 - 672 709 Gasket, Pinion Brg. Retainer 1 - 2400 163 Seal, Yoke 1 - 6025 752 "O" Ring, Speedometer Adapter 1 - 2538 588 Seal, Speedometer Adapter 1 - 2538 571 Ring, Speedometer Seal Retainer 2 - 1949 350 Seal, Gearshift Lever Shaft 1 - 2124 499 Gasket, Main Drive Gear Bearing Retainer

CODE	PART NAME AND PART NUMBER	CODE	PART NAME AND PART NUMBER
GASKET and SEAL PACKAGE, MANUAL TRANSMISSION Part No. 3420 067 Consists of:			
1 - 341 008	Gasket, Extension	1 - 2464 324	Gasket, Oil Pan
1 - 2400 300	Seal, Yoke	1 - 2400 863	Gasket, Oil Pan Drain Plug
1 - 2801 692	Seal, Drive Pinion	2 - 1942 109	Ring, Governor Support Seal
1 - 2124 499	Gasket, Drive Pinion Brg.	2 - 2124 813	Ring, Torque Conv. Reaction Shaft Support Seal
1 - 2801 893	Gasket, Drive Pinion Brg.	2 - 2801 054	Ring, Input Shaft Seal
1 - 3410 030	Gasket, Gearshift Hsg.	1 - 1942 123	Ring, Kickdown Servo Piston Seal, Large
2 - 1536 267	Seal, Gearshift Lever Shaft Oil	1 - 1942 123	Ring, Kickdown Servo Guide Seal
1 - 6025 752	"O" Ring, Speedometer Drive Pinion Adapter	1 - 1942 130	Kickdown Servo Guide Snap
1 - 2538 588	Seal, Speedometer Drive Pinion Adapter	1 - 2124 851	Ring, Kickdown Servo Piston
1 - 2538 571	Ring, Speedometer Seal Retainer	1 - 6027 153	Ring, Reverse Servo Plug
GASKET and SEAL PACKAGE, MANUAL TRANSMISSION Part No. 3420 068 Consists of:		1 - 1941 831	Ring, Accumulator Piston Seal, Small
1 - 3410 008	Gasket, Extension	1 - 2124 255	Ring, Accumulator Piston Seal, Large
1 - 2400 163	Seal, Yoke	1 - 2538 571	Ring, Speedometer Drive Pinion Retainer Seal
1 - 2801 692	Seal, Drive Pinion	1 - 6022 816	Snap Ring, Output Shaft
1 - 2124 499	Gasket, Drive Pinion Ref.	1 - 6024 311	Snap Ring, Output Shaft
1 - 3410 030	Gasket, Gearshift Hsg.	1 - 6024 312	Snap Ring, Output Shaft
2 - 1536 267	Seal, Gearshift Lever Shaft Oil	1 - 6025 752	"O" Ring, Speedometer Drive Pinion Retainer
1 - 6025 752	Speedometer Drive Pinion Adapter	1 - 2400 843	Washer, Output Shaft Thrust
1 - 2538 588	Seal, Speedometer Drive Pinion Adapter	1 - 2400 300	Seal, Yoke
1 - 2538 571	Ring, Speedometer Seal Retainer	1 - 2801 398	Gasket, Output Shaft Brg. Cover
GASKET and SEAL PACKAGE, MANUAL TRANSMISSION Part No. 3004 614 Consists of:		GASKET and SEAL PACKAGE, AUTOMATIC TRANSMISSION Part No. 3420 064 Consists of:	
1 - 2464 059	Gasket, Extension	1 - 2124 705	Seal, Torque Conv. Impeller Hub
1 - 2400 300	Seal, Yoke	1 - 2204 709	Seal, Frt. Oil Pump Hsg.
1 - 6027 225	Snap Ring, Drive Pinion Bearing (Outer)	2 - 1942 389	Seal, Torque Conv. Reaction Shaft Support
1 - 2801 733	Seal, Drive Pinion Bearing	1 - 1942 390	Gasket, Torque Conv. Reaction Shaft Support
1 - 2801 893	Gasket, Drive Pinion Bearing Retainer	1 - 1942 396	Seal, Frt. Clutch Piston, Inner
1 - 2464 037	Gasket, Gearshift Hsg.	1 - 1942 397	Seal, Frt. Clutch Piston, Outer
1 - 6025 752	"O" Ring, Speedometer Drive Pinion Adapter	1 - 1941 831	Seal, Ring Input Shaft
1 - 2538 588	Seal, Speedometer Drive Pinion Adapter	1 - 2538 510	Seal, Rr. Clutch Piston, Inner
1 - 2538 571	Ring, Speedometer Seal Retainer	1 - 2538 695	Seal, Rr. Clutch Piston, Outer
GASKET and SEAL PACKAGE, AUTOMATIC TRANSMISSION Part No. 2808 414 Consists of:		2 - 1942 109	Ring, Governor Support Seal
1 - 1942 020	Seal, Torque Conv. Impeller Hub	1 - 2466 954	Gasket, Extension
1 - 1942 021	Seal, Frt. Oil Pump Hsg.	1 - 2466 548	Seal, Throttle Lever Shaft
1 - 2124 820	Seal, Frt. Clutch Piston, Inner	1 - 2205 299	Gasket, Oil Pan
1 - 2124 821	Seal, Frt. Clutch Piston, Outer	1 - 2538 669	Washer, Output Shaft Thrust
1 - 1942 054	Seal, Rr. Clutch Piston, Inner	1 - 2538 670	Washer, Output Shaft Thrust
1 - 2124 835	Seal, Rr. Clutch Piston, Outer	1 - 2538 671	Washer, Output Shaft Thrust
1 - 2464 481	Seal, Reverse Servo Piston, Rubber	1 - 6026 291	Snap Ring, Output Shaft
1 - 2466 548	Seal, Throttle Valve Shaft	1 - 1672 287	Ring, Kickdown Servo Piston Seal, Small
1 - 2538 588	Seal, Speedometer Drive Pinion	1 - 1636 470	Ring, Kickdown Servo Guide
1 - 2466 842	Seal, Manual Valve Shaft	1 - 1636 470	Ring, Kickdown Servo Piston Seal, Large
1 - 1672 358	Seal, Reverse Band Lever Shaft	1 - 1942 486	Ring, Kickdown Servo Snap
1 - 2124 846	Gasket, Oil Pump Hsg.	1 - 1941 831	Ring, Accumulator Piston Seal, Small
1 - 2466 954	Gasket, Extension	1 - 2124 255	Ring, Accumulator Piston
		1 - 2464 462	Seal, Reverse Servo Piston
		1 - 6027 153	Ring, Reverse Servo Plug
		1 - 2464 464	Ring, Reverse Servo Piston Spring Retainer Snap
		2 - 2204 369	Washer, Frt. Clutch Thrust
		2 - 2538 515	Washer, Sun Gear Driving Shell Thrust
		2 - 3410 540	Plate, Sun Gear Driving Shell Thrust
		1 - 6026 289	Snap Ring, Output Shaft
		1 - 6026 290	Snap Ring, Output Shaft

CODE	PART NAME AND PART NUMBER	CODE	PART NAME AND PART NUMBER
1 - 2801 398	Gasket, Output Shaft Brg. Cover	21-118-6	ROTOR PACKAGE, FRONT OIL PUMP AUTOMATIC TRANS- MISSION Part No. 2808 675 2808 685
1 - 2400 163	Seal, Yoke		Consists of:
1 - 6025 752	"O" Ring, Speedometer Drive Pinion Adapter	1 -	Rotor, Frt. Oil Pump, Inner
1 - 2538 588	Seal, Speedometer Drive Pinion Adapter	1 -	Rotor, Frt. Oil Pump, Outer
1 - 2538 571	Ring, Speedometer Seal Retainer	21-136-228	CAM and RETAINER PACKAGE, OVER- RUNNING CLUTCH AUTOMATIC TRANS- MISSION Part No. 2808 637
1 - 2466 842	Seal, Manual Valve Shaft		Consists of:
1 - 1323 593	Ring, Clutch Retainer Seal	1 -	Cam
1 - 1556 385	Seal, Reverse Band Reaction	1 -	Retainer
2 - 2801 356	Washer, Sun Gear Driving Shell Thrust	7 -	138 212 Screw
		1 -	Washer
	GASKET and SEAL PACKAGE, AUTOMATIC TRANSMISSION Part No. 3420 020	21-138-2	REPAIR PACKAGE, GOVERNOR AUTO- MATIC TRANSMISSION Part No. 2275 498
	Consists of:		Consists of:
1 - 1942 020	Seal, Torque Conv. Impeller Hub	1 -	Body, Gov.
1 - 1942 021	Seal, Frt. Oil Pump Hsg.	2 -	1942 109 Ring, Support Seal
1 - 2124 820	Seal, Frt. Clutch Piston, Inner	1 -	1636 461 Weight, Gov., Outer
1 - 2124 821	Seal, Frt. Clutch Piston, Outer	1 -	1636 462 Weight, Gov., Inner
1 - 1942 054	Seal, Rr. Clutch Piston, Inner	1 -	1636 464 Snap Ring, Weight, Inner
1 - 2124 835	Seal, Rr. Clutch Piston, Outer	1 -	1636 465 Snap Ring, Weight, Outer
1 - 2464 481	Seal, Reverse Servo Piston, Rubber	1 -	2124 663 Valve, Gov.
1 - 2466 548	Seal, Throttle Valve Shaft	1 -	1556 082 Shaft, Gov. Valve
1 - 2538 588	Seal, Speedometer Drive Pinion	2 -	1638 461 Snap Ring, Valve Shaft
1 - 2466 842	Seal, Manual Valve Shaft	1 -	6022 817 Snap Ring, Gov. Body
1 - 1672 358	Seal, Reverse Band Lever Shaft	2 -	2125 024 Lock, Body Bolt
1 - 2124 846	Gasket, Oil Pump Hsg.	4 -	Bolt, Body
1 - 2466 954	Gasket, Extension	1 -	1949 858 Spring, Gov.
1 - 2464 324	Gasket, Oil Pan		
1 - 2268 513	Gasket, Oil Pan Drain Plug		REPAIR PACKAGE, GOVERNOR AUTO- MATIC TRANSMISSION Part No. 2298 514
2 - 1942 109	Ring, Governor Support Seal		Consists of:
2 - 2124 813	Ring, Torque Conv. Reaction Shaft Support Seal	1 -	Body, Gov.
2 - 2801 054	Ring, Input Shaft Seal	2 -	1942 109 Ring, Support Seal
1 - 1942 123	Ring, Kickdown Servo Piston Seal, Large	1 -	1636 461 Weight, Gov., Outer
1 - 1942 123	Ring, Kickdown Servo Guide Seal	1 -	1636 462 Weight, Gov., Inner
1 - 1942 130	Ring, Kickdown Servo Guide Snap	1 -	1636 464 Snap Ring, Weight, Inner
1 - 2124 851	Ring, Kickdown Servo Piston Seal, Small	1 -	1636 465 Snap Ring, Weight, Outer
1 - 6027 153	Ring, Reverse Servo Plug	1 -	2124 663 Valve, Gov.
1 - 1941 831	Ring, Accumulator Piston Seal, Small	1 -	1556 082 Shaft, Valve
1 - 2124 255	Ring, Accumulator Piston Seal, Large	2 -	1638 461 Snap Ring, Valve Shaft
1 - 2538 571	Ring, Speedometer Drive Pinion Retainer Seal	1 -	6022 817 Snap Ring, Gov. Body
1 - 6022 816	Ring, Output Shaft Snap	2 -	2125 024 Lock, Body Bolt
1 - 6024 311	Ring, Output Shaft Snap	4 -	Bolt, Body
1 - 6024 312	Ring, Output Shaft Snap	1 -	1949 859 Spring, Gov.
1 - 6025 752	Ring, Speedometer Drive Pinion Retainer		
1 - 2400 300	Seal, Yoke		REPAIR PACKAGE, GOVERNOR AUTO- MATIC TRANSMISSION Part No. 2585 589
1 - 2801 398	Gasket, Output Shaft Brg. Cover		Consists of:
21-84-4	SHAFT or CABLE PACKAGE, SPEEDO- METER Part No. 2448 294	1 -	Body, Gov.
	Consists of:	2 -	1942 109 Ring, Support Seal
1 -	Cable	1 -	1636 461 Weight, Gov., Outer
1 -	Tip		
1 -	Die		

CODE	PART NAME AND PART NUMBER	CODE	PART NAME AND PART NUMBER
	<p>CYLINDER and KEY PACKAGE, DOOR, IGNITION, GLOVE BOX and DECK LID Part No. = 3419 951 # 3454 284</p> <p>Consists of: 2 - Cylinder, Door 1 - Cylinder, Ignition 1 - Cylinder, Glove Box 1 - Cylinder, Deck Lid 2 - Keys</p> <p>CYLINDER and KEY PACKAGE, DOOR and IGNITION, W/TILT and TELE- SCOPIC STEERING Part No. = 3454 259</p> <p>Consists of: 2 - Cylinder, Door 1 - Cylinder, Ignition 1 - Key</p> <p>CYLINDER and KEY PACKAGE, DOOR, IGNITION and TAILGATE, MANUAL Part No. = 2999 445 ELECTRIC Part No. = 2999 446 # 3454 851</p> <p>Consists of: 2 - Cylinder, Door 1 - Cylinder, Ignition 1 - Cylinder, Tailgate 1 - Key</p> <p>CYLINDER and KEY PACKAGE, DOOR, IGNITION, GLOVE BOX and TAIL GATE Part No. = 2999 463 # 3454 853</p> <p>Consists of: 2 - Cylinder, Door 1 - Cylinder, Ignition 1 - Cylinder, Glove Box 1 - Cylinder, Tailgate 1 - Key</p>		<p>23-17-38 CYLINDER and KEY PACKAGE, FLOOR CONSOLE LOCK Part No. = 3454 986 # 3454 987</p> <p>Consists of: 1 - Cylinder, Floor Console 1 - Key</p> <p>23-17-72 CYLINDER and KEY PACKAGE, REAR FLOOR PAN COVER PANEL LOCK Part No. 2935 916</p> <p>CYLINDER and KEY PACKAGE, 3RD. SEAT BACK LOCK Part No. 2935 916</p> <p>Consists of: 1 - Cylinder 1 - Key</p> <p>23-18-27 DOOR LOCK LOCKING CONTROL KNOB PACKAGE Part No. 3419 209</p> <p>Consists of: 2 - Knobs</p> <p>23-21-3 MIRROR PACKAGE, DOOR OUTSIDE REMOTE CONTROL REAR VIEW Part No. 2935 217</p> <p>Consists of: 1 - Mirror, Remote Control 1 - Index Washer 1 - Screw 1 - Nut and Washer 2 - Gasket 1 - Bezel 1 - Spacer</p> <p>MIRROR PACKAGE DOOR OUTSIDE REAR VIEW, RT. SIDE Part No. 2802 869 # 3508 458</p> <p>Consists of: 1 - Mirror 1 - Screw 1 - Nut and Washer 1 - Gasket</p>
23-17-4	<p>CYLINDER and KEY PACKAGE, DECK LID AND GLOVE BOX Part No. = 3419 952 # 3419 953 # 3419 954 # 3419 955</p> <p>Consists of: 1 - Cylinder, Deck Lid 1 - Cylinder, Glove Box 1 - Key</p>		<p>23-41-34 GEAR and SEAL PACKAGE, ELECTRIC WINDOW REGULATOR MECHANISM Part No. 2932 973</p> <p>Consists of: 1 - Gear Pinion 1 - Seal 1 - "O" Ring 1 - Screw</p>
23-17-4	<p>CYLINDER and KEY PACKAGE, DECK LID LOCK Part No. 3419 075 # 3419 958 # 3454 494</p> <p>Consists of: 1 - Cylinder, Deck Lid 1 - Key</p>		<p>23-41-106 MOTOR and MECHANISM PACKAGE, ELECTRIC WINDOW LIFT, RT Part No. 3004 124</p> <p>Consists of: 1 - 2862 832 Motor and Mechanism 2 - 1842 026 Terminal, Female 2 - 2097 173 Insulator, Female</p>

CODE	PART NAME AND PART NUMBER	CODE	PART NAME AND PART NUMBER
<p>MOTOR and MECHANISM PACKAGE, ELECTRIC WINDOW LIFT, LT Part No. 3004 123 Consists of: 1 - 2862 833 Motor and Mechanism 2 - 1842 026 Terminal, Female 2 - 2097 173 Insulator, Female</p>	<p>23-58-381 ROTOR PACKAGE, FOLDING TOP MOTOR PUMP Part No. 2573 840 Consists of: 1 - Rotor, Inner 1 - Rotor, Outer</p>		
<p>MOTOR and MECHANISM PACKAGE, ELECTRIC WINDOW LIFT, RT Part No. 3004 126 Consists of: 1 - 2862 830 Motor and Mechanism 2 - 1842 026 Terminal, Female 2 - 2097 173 Insulator, Female</p>	<p>23-58-388 BOLT PACKAGE, FOLDING TOP LIFT PUMP RESERVOIR Part No. 2573 839 Consists of: 1 - Bolt 1 - Washer 1 - "O" Ring</p>		
<p>MOTOR and MECHANISM PACKAGE, ELECTRIC WINDOW LIFT, LT Part No. 3004 125 Consists of: 1 - 2862 831 Motor and Mechanism 2 - 1842 026 Terminal, Female 2 - 2097 173 Insulator, Female</p>	<p>23-63-33 WEATHERSTRIP PACKAGE, FRONT DOOR ON FRONT EDGE OF GLASS Part No. 2932 230 Consists of: 1 - Weatherstrip 4 - 2841 646 Slide 2 - 2861 744 Pin</p>		
<p>23-41-176 TERMINAL and INSULATOR PACKAGE, WINDOW LIFT SWITCH (5 WAY) Part No. 2809 016 Consists of: 1 - 2770 607 Insulator, Window Lift Switch Wiring Terminal 5 - 2427 529 Terminal, Window Lift Switch Wiring</p>	<p>23-63-100 WEATHERSTRIP PACKAGE, QUARTER WINDOW GLASS FRONT Part No. 2932 230 Consists of: 1 - Weatherstrip 4 - 2841 646 Slide 2 - 2861 744 Pin</p>		
<p>TERMINAL and INSULATOR PACKAGE, WINDOW LIFT SWITCH (7 WAY) Part No. 2809 017 Consists of: 1 - 2771 564 Insulator, Window Lift Switch Wiring Terminal 7 - 2427 529 Terminal, Window Lift Switch Wiring</p>	<p>23-64-1 FIELD KIT, REAR WINDOW INSTALLATION Part No. 2807 425 Consists of: 1 - Cartridge 1 - Primer 1 - Spacer Dam 2 - Spacer 2 - Spacer</p>		
<p>TERMINAL and INSULATOR PACKAGE, FRONT DOOR WINDOW LIFT SWITCH (10 WAY) RT Part No. 2809 018 Consists of: 1 - 2771 571 Insulator, Front Door Window Lift Switch Terminal</p>	<p>23-64-181 LATCH PACKAGE, QUARTER WINDOW GLASS Part No. 3419 945 Consists of: 1 - Latch 1 - 6000 379 Screw 1 - 1708 996 Grommet 1 - 1909 944 Washer</p>		
<p>10 - 2427 529 Terminal, Window Lift Switch Wiring</p> <p>TERMINAL and INSULATOR PACKAGE, FRONT DOOR WINDOW LIFT SWITCH (10 WAY) LT Part No. 2809 019 Consists of: 1 - 2771 567 Insulator, Front Door Window Lift Switch Terminal</p>	<p>23-64-240 PIVOT PACKAGE, V/WING UPPER Part No. 2809 961 Consists of: 1 - Bracket 1 - 6000 374 Screw 1 - 1909 917 Grommet 1 - 6000 379 Screw 1 - 1708 996 Grommet 1 - 1708 998 Clamp 1 - 1909 944 Washer</p>		
<p>10 - 2427 529 Terminal, Window Lift Switch Wiring</p>	<p>PIVOT PACKAGE, V/WING UPPER Part No. 2932 436 2932 437</p>		

CODE	PART NAME AND PART NUMBER	CODE	PART NAME AND PART NUMBER
	Consists of: 2 - Bracket 2 - 1909 944 Washer 2 - 6000 374 Screw 2 - 1909 917 Grommet 2 - 6000 379 Screw 2 - 1708 996 Grommet 2 - 1708 998 Clamp		23-67-20 GROMMET and SPACER PACKAGE, MOTOR MTG. Part No. 2932 708 Consists of: 3 - Grommet 3 - Spacer
	PIVOT PACKAGE, V/WING UPPER Part No. 2807 956 2807 957		GROMMET and SPACER PACKAGE, MOTOR MTG. Part No. 2421 482 Consist of: 3 - Grommet 3 - Spacer
	Consists of: 2 - Bracket 2 - 1708 998 Clamp 2 - 1909 917 Grommet 2 - 1909 944 Washer 2 - 60000 374 Screw		23-67-104 SEAL and SPACER PACKAGE, MOTOR MTG. Part No. 2808 831 Consists of: 1 - Seal 3 - Spacer
23-64-242	BRACKET PACKAGE, UPPER WING PIVOT Part No. 3419 350 3419 351		23-67-164 SWITCH PLATE and LATCH PACKAGE, WIPER MOTOR Part No. 3420 870 Consists of: 1 - Switch Plate 1 - Latch, Shaft and "O" Ring 1 - Seal, Switch Plate 1 - Grease - Pack
	Consists of: 1 - Bracket, Rt. 1 - Bracket, Lt. 2 - 1909 944 Washer 2 - 1708 998 Clamp 2 - 6000 374 Screw 2 - 1909 917 Grommet 2 - 1708 996 Grommet		SWITCH PLATE and LATCH PACKAGE, WIPER MOTOR Part No. 3420 918 Consists of: 1 - Switch Plate 1 - Latch, Shaft and "O" Ring 1 - Seal, Switch Plate 1 - Grease - Pack
23-66-75	FIELD KIT, WINDSHIELD INSTALLATION Part No. 2807 425 Consists of: 1 - Cartridge 1 - Primer 1 - Spacer Dam 2 - Spacer 2 - Spacer		23-67-240 RESERVOIR and SEAL PACKAGE, W/SHIELD WASHER Part No. 2809 011 Consists of: 1 - Reservoir 2 - Seal
	FIELD KIT, WINDSHIELD INSTALLATION Part No. 3419 959 Consists of: 1 - Adhesive 1 - Sealant Primer		RESERVOIR and SEAL PACKAGE, W/SHIELD WASHER Part No. 2889 803 Consists of: 1 - Reservoir 1 - Seal
23-67-2	CAM RELEASE PACKAGE, WIPER PARKING Part No. 2932 869 Consists of: 1 - Release, Wiper Parking Cam 1 - Cam, Wiper Parking 1 - Spring, Wiper Parking 1 - Spring Washer, Wiper Drive Link 1 - 2983 017 Retainer, Wiper Link		RESERVOIR and SEAL PACKAGE, W/SHIELD WASHER Part No. 2932 830 Consists of: 1 - Reservoir 1 - Seal
23-67-10	GEAR and SEAL PACKAGE, WIPER MOTOR Part No. 3420 871 Consists of: 1 - Gear 1 - Seal, Switch Plate		

CODE	PART NAME AND PART NUMBER	CODE	PART NAME AND PART NUMBER
	RESERVOIR and SEAL PACKAGE, T/GATE WINDOW WASHER Part No. 3004 120 Consists of: 1 - Reservoir 1 - Seal		BASIC PACKAGE MODEL "F" Part No. 2027 820 Consists of: 1 - 3450 628 Evaporator 1 - 3451 410 Valve, Expansion 1 - 3450 596 Switch, Blower Motor 1 - 3451 404 Thermostat 1 - 3450 613 Knob, Mtr. Switch 1 - 3450 614 Knob, Thermostat 2 - 2837 680 Clamp 1 - 3450 248 Breaker, Circuit 1 - 3451 416 Wheel, Blower Mtr. Rt. C.C.W. 1 - 3451 415 Wheel, Blower Mtr. Lt. C.W. 6 - 117 957 Insulator, Motor Mtg. 2 - 1991 576 Housing, Blower 1 - 2870 270 Motor, Blower 1 - 2968 273 Coil, Evaporator 1 - 3484 253 Compressor 1 - 2968 331 Drier, Receiver 1 - 2607 440 Bracket 1 - 2014 009 Grommet, Discharge Hose 2 - 3450 586 Louver 4 - 3450 589 Retainer, Louver Mtg.
	RESERVOIR and SEAL PACKAGE, T/GATE WINDOW WASHER Part No. 3420 873 Consists of: 1 - RESERVOIR 1 - Seal		ADAPTER PACKAGE Part No. 2027 817 Consists of: 1 - 2468 809 Bracket, Compressor Mtg. Frt. 1 - 2806 152 Support, Rr. Rt. 1 - 2806 812 Support, Rr. Lt. 1 - 2946 134 Support, Rr. Lt. 1 - 2203 035 Bracket, Idler Pulley Adj. 1 - 2203 031 Idler, Pulley 1 - 2406 039 Fan and Pulley 1 - 2202 794 Pulley, Compressor Drive 1 - 3418 384 Belt, Compressor Drive 1 - 2006 395 Coil, Field 1 - 2006 396 Pulley and Hub 1 - 2006 397 Washer, Hub Mtg. 1 - 1658 638 Screw, Hub Mtg. 1 - 2812 840 Coil, Field 1 - 2870 253 Pulley and Hub 1 - 2097 102 Washer, Hub Mtg. 1 - 2812 765 Hose, Discharge, 3/8" 1 - 1742 762 Hose, Suction, 5/8" 1 - 2013 092 Hose, Liquid, 3/8"
23-67-252	PUMP and SEAL PACKAGE, W/SHIELD WASHER Part No. 2809 013 Consists of: 1 - Pump 2 - Seal		ADAPTER PACKAGE Part No. 2027 818 Consists of: 1 - 3450 635 Bracket, Frt. Mtg. 1 - 2951 866 Bracket, Rr. Mtg. 1 - 2968 253 Pulley, Compressor 1 - 2968 252 Pulley, Fan Drive 1 - 2968 251 Pulley, Fan 2 - 2772 142 Spacer, Drive Pulley 1 - 3450 642 Bracket, Idler Pulley Adj. 1 - 2013 876 Pulley, Idler 1 - 3451 409 Strap, Altr. Adj. 1 - 2951 825 Support, Rt. 1 - 3418 261 Bracket, Support Side Lt. 1 - 2013 877 Bolt 1 - 2951 747 Bracket, Frt. 1 - 3409 548 Baffle, Floor Air
	PUMP and SEAL PACKAGE, T/GATE WINDOW WASHER Part No. 3004 121 Consists of: 1 - Pump 1 - Seal		
	FOOT PUMP and CHECK VALVE-PACKAGE, W/SHIELD WASHER Part No. 2932 868 Consists of: 1 - Pump and Spring 1 - Washer 1 - Check Valve		
24-01-1	BASIC PACKAGE, MODEL "E" Part No. = 2027 816 Consists of: 1 - 3450 598 Evaporator 1 - 3450 650 Valve, Expansion 1 - 3450 248 Circuit Breaker 1 - 3451 415 Wheel, Blower Motor C.W. 1 - 3451 416 Wheel, Blower Motor C.C.W. 2 - 2837 680 Clamp, Wheel 1 - 3450 250 Motor, Blower 1 - 3450 591 Grille, Evaporator 1 - 3450 235 Thermostat 1 - 3450 571 Switch, Blower Motor 2 - 3450 588 Knob 1 - 3450 602 Panel, Control 2 - 3450 579 Louver 4 - 3450 589 Retainer, Louver 1 - 3450 247 Coil, Evap. 1 - 3484 253 Compressor 1 - 2968 331 Receiver Drier 1 - 2607 440 Bracket, Drier Mtg. 1 - 2014 009 Grommet, Discharge Hose		

CODE	PART NAME AND PART NUMBER	CODE	PART NAME AND PART NUMBER
1 - 2097 105	Coil, Field	24-25-2	PISTON RING
1 - 2003 058	Hub and Pulley		PACKAGE Part No. 2275 207
1 - 2097 102	Washer, Hub Mtg.		Consists of:
1 - 1658 638	Screw, Hub Mtg.	1 -	Ring
1 - 1742 762	Hose, Suction, 5/8"	1 - 1377 825	Gasket, Oil Sump
1 - 2013 092	Hose, Liquid, 3/8"	1 - 1990 584	Gasket, Cyl. Head
1 - 2812 765	Hose, Discharge, 3/8"	1 - 1990 598	Gasket, Valve Plate
1 - 3451 443	Belt, Comp. Drive	24-25-3	PISTON and
1 - 2128 751	Belt, Fan and Altr. Drive		CONNECTING ROD
	ADAPTER PACKAGE Part No. 2027 819		PACKAGE Part No. 2541 330
	Consists of:		Consists of:
1 - 2968 330	Bracket, Frt.	1 -	Ball, Oil Pressure Relief
1 - 2951 809	Bracket, Rr.	1 - 1990 584	Gasket, Cylinder Head
1 - 2899 961	Bracket, Rr.	1 - 1990 598	Gasket, Valve Seat
1 - 3462 023	Support, Rr. Lt.	1 -	Gasket, Oil Sump
1 - 3462 022	Support, Rr. Lt.	1 -	Piston and Connecting Rod
1 - 2899 576	Support, Rr. Rt.	1 -	Spring, Oil Pressure
1 - 3462 353	Support, Rr. Rt.		PISTON and
1 - 2814 696	Bracket, Pulley Mtg.		CONNECTING ROD
1 - 2899 962	Bracket, Spring		PACKAGE Part No. 2932 972
1 - 1999 184	Strap, Altr. Adj.		Consists of:
1 - 2013 678	Spacer	1 -	Piston and Connecting Rod
1 - 2004 767	Bracket, Pulley Adj.	1 - 1377 825	Gasket, Oil Sump
1 - 2004 767	Pulley, Idler	1 - 1990 584	Gasket, Cylinder Head
1 - 2919 395	Hose, Radiator Inlet	1 - 1990 598	Gasket, Valve Seat
1 - 1742 762	Hose, Suction, 5/8"	1 -	Ball, Oil Pressure Relief
1 - 2013 092	Hose, Liquid 3/8"	1 -	Spring, Oil Pressure
1 - 2812 765	Hose, Discharge, 3/8"		24-25-70 CRANKSHAFT GAS
1 - 2968 251	Pulley, Fan		SEAL PACKAGE Part No. 1426 501
1 - 2003 059	Spacer, Fan Pulley		Consists of:
1 - 2968 252	Pulley, Drive	1 -	Seal, Crankshaft Gas
1 - 2968 253	Pulley, Comp. Drive	1 - 1982 542	Seal, Crankshaft Bearing Housing
1 - 1825 903	Belt, Comp. Drive		24-25-93 VALVE PLATE
1 - 1551 006	Belt, Altr. Drive		PACKAGE Part No. 2275 204
1 - 2097 105	Coil, Field		Consists of:
1 - 2003 058	Pulley and Hub	1 - 1990 584	Gasket, Cylinder Head
1 - 2097 102	Washer, Hub Mtg.	1 - 1990 598	Gasket, Valve Plate
1 - 1658 638	Screw, Hub Mtg.	1 -	Plate, Valve
	ADAPTER PACKAGE Part No. 3450 632		VALVE PLATE
	Consists of:		PACKAGE Part No. 2275 205
1 - 3450 632	Duct, Spot Cooler Air, Complete		Consists of:
	CONDENSER		1 - 1990 584 Gasket, Cylinder Head
	PACKAGE Part No. 2027 787		1 - 1990 598 Gasket, Valve Plate
	Consists of:		1 - Plate, Valve
1 - 2812 689	Condenser		24-25-154 CRANKSHAFT
4 - 2812 692	Brackets		PACKAGE Part No. 2815 762
	CONDENSER		Consists of:
	PACKAGE Part No. 2027 814		1 - Crankshaft
	Consists of:		1 - 1377 825 Gasket, Oil Sump
1 - 2968 361	Condenser		1 - 1990 584 Gasket, Cylinder Head
1 - 2968 364	Mtg. and Tube Support		1 - 1990 598 Gasket, Valve Plate
1 - 2014 004	Bracket, Mtg. Rt.		1 - 1377 831 Seal, Bearing Housing
1 - 2772 101	Mtg. and Tube Support		1 - Seal, Gas
3 - 2272 098	Bracket, Condenser Mtg.		1 - 1747 982 Washer, Thrust

CODE	PART NAME AND PART NUMBER		
<p>CRANKSHAFT PACKAGE Part No. 2815 755 Consists of: 1 - Crankshaft 1 - 1990 584 Gasket, Cylinder Head 1 - 1990 598 Gasket, Valve Plate 1 - 1377 825 Gasket, Oil Sump 1 - 1377 831 Seal, Bearing Housing 1 - Seal, Gas 1 - 1747 982 Washer, Thrust</p>	<p>BEARING HOUSING PACKAGE Part No. 2541 332 Consists of: 1 - Housing 1 - 1377 831 Seal</p> <p>BEARING HOUSING PACKAGE Part No. 2196 315 Consists of: 1 - Housing 1 - 1377 831 Seal</p>	<p>24-25-162 BEARING HOUSING PACKAGE Part No. 3420 916 Consists of: 1 - Housing 1 - Seal 1 - 2919 681 Ball Bearing</p>	<p>24-25-246 OIL PUMP PACKAGE Part No. 2021 191 Consists of: 1 - Cover, Oil Pump 1 - Rotor, Outer 1 - Rotor, Inner 1 - 1747 988 Seal, Cover 1 - Shaft</p>

CODE	PART NAME	ENG. TYPE OR CU.IN.	V	B	L	R	W	P	D	C	C	C	Y	PART NUMBER
			1-2	1-2	1-2	1-2	1-2	1-2	1-2	1	2	3	1	

POLICE

R1, R2, W1, W2, P1, P2
 2 Door Sedan
 4 Door Sedan
 4 Door Station Wagon
 D2
 4 Door Sedan

NOTE: For Parts Not Listed in Police Section Refer to 1969 E Series Parts Catalog

GROUP 2 - FRONT SUSPENSION

2-14-1	BOLT and SWIVEL PACKAGE, Anchor Adjusting					2	2							2275 469
2-14-3	BAR or SPRING, 2 D., 4 D	6				1	1							1857 778-9
	2 D., 4 D	8				1	1							1857 778-9
	Sta. Wgn.					1	1							1857 778-9
	P							1						2269 578-9
	D	8							1					2269 622-3

GROUP 3 - AXLE-REAR

NOTE: For Parts refer to Rear Axle Section of the Parts Catalog.

GROUP 4 - BRAKE-PARKING

4-10-35	ROD, Trans. Park Sprag.					1	1	1	1					2466 894
---------	-------------------------	--	--	--	--	---	---	---	---	--	--	--	--	----------

GROUP 5 - BRAKE-SERVICE

5-3-3	SHOE & LINING PACKAGE Axle Set w/11 x 2 1/2" Brakes City of Los Angeles Calif.					1	1							# 2836 644
-------	--	--	--	--	--	---	---	--	--	--	--	--	--	------------

GROUP 7 - COOLING

7-11-3	CORE, 26", w/383 Eng.	8				1	1							2949 052
	26", w/383, 440 Eng.	8						1	1					2949 036
	22", w/318 Eng.	8							1					2949 044

GROUP 8 - ELECTRICAL

8-05-6	HOUSING, Dome Lamp							1						2292 994
8-33-4	RING, Horn, Full, w/3 Spoke Wheel					1	1	1	1					2925 488
8-36-114	PLUG, Spark, Champion J-11Y, w/440 Eng., Std.	8							8	8				2642 913

GROUP 9 - ENGINE

9-02-37	COVER, Cylinder Block Starter Opening	6				1	1	1						2536 649
9-45-1	FLYWHEEL, w/Ring GEAR	6				1	1	1						2863 405
9-45-2	GEAR, Flywheel Ring	6				1	1	1						2863 494
9-46-4	TORQUE CONVERTER, w/A727 Trans.	6				1	1	1						2801 359
9-46-8	PLATE, Torque Converter Drive	6				1	1	1						2204 719

GROUP 11-EXHAUST

11-02-1	CLAMP PACKAGE, Exhaust Pipe Brace	6				1	1							1843 010
		6						1						1843 008
11-08-5	BRACE, Exhaust Pipe	6				1	1	1						2530 790

TYPE LETTERS Indicates B - Barracuda V - Valiant R - Belvedere P - Plymouth C - Chrysler
 = Indicates parts not listed in any previous parts book. L - Dart W - Coronet D - Dodge Y - Imperial

AR Indicates use as required.

= Indicates parts not listed in any previous parts book.

Numerals in parentheses () refer to notes.

★ Indicates change or addition.

Printed in U.S.A.
 January 1971

CODE	PART NAME	ENG. TYPE OR CU.IN.	V	B	L	R	W	P	D	C	C	C	Y	PART NUMBER
			1-2	1-2	1-2	1-2	1-2	1-2	1-2	1	2	3	1	
POLICE														
GROUP 13 - FRAME OR FRONT FRAME STRUCTURE														
13-35-1	SHIELD, Battery Heat		—	—	—	1	1	—	—	—	—	—	—	2768 352
			—	—	—	—	—	1	1	—	—	—	—	2530 975
13-54-4	HANGER, Front, Rear Spring 2 D., 4 D		—	—	—	—	2	—	—	—	—	—	—	2539 507
GROUP 17 - REAR SPRING														
17-11-3	SPRING, w/BUSHING, 2 D., 4 D	6	—	—	—	2	2	—	—	—	—	—	—	3004 655
	2 D., 4 D	8	—	—	—	2	2	—	—	—	—	—	—	3004 767
	Sta. Wgn.		—	—	—	2	2	—	—	—	—	—	—	2585 644
	2 D., 4 D	6	—	—	—	—	—	2	—	—	—	—	—	3004 657
	2 D., 4 D	8	—	—	—	—	—	2	—	—	—	—	—	2808 535
	Sta. Wgn.		—	—	—	—	—	1	—	—	—	—	—	2585 226-7
	All	8	—	—	—	—	—	—	2	—	—	—	—	2585 399
17-11-28	SWAY BAR, w/Bushings, Rear Suspension, 2 D., 4 D., Los Angeles Police		—	—	—	1	1	—	—	—	—	—	—	2834 852
			—	—	—	—	—	1	1	—	—	—	—	2834 853
17-11-42	LINK, w/Bushing, Sway Bar Rear Suspension, 2 D., 4 D., Los Angeles Police		—	—	—	2	2	2	2	—	—	—	—	2834 858
17-12-4	LEAF, w/BUSHING, Main, 2 D., 4 D	6	—	—	—	2	2	—	—	—	—	—	—	2585 648
	2 D., 4 D	8	—	—	—	2	2	—	—	—	—	—	—	2808 523
	Sta. Wgn.		—	—	—	2	2	—	—	—	—	—	—	2585 648
	2 D., 4 D.	6	—	—	—	—	—	2	—	—	—	—	—	2808 538
	2 D., 4 D.	8	—	—	—	—	—	2	—	—	—	—	—	2808 539
	2 D., 4 D.	8	—	—	—	—	—	—	2	—	—	—	—	2808 256
17-12-12	INTERLINER, 2 D., 4 D		—	—	—	—	—	AR	—	—	—	—	—	1948 396
17-15-12	PLATE, Rear Spring Clamp, 2 D., 4 D., Los Angeles Police		—	—	—	4	4	4	4	—	—	—	—	2416 749
17-17-3	BUSHING, Front Pivot, All		—	—	—	2	2	2	2	—	—	—	—	2403 245
17-19-3	BUMPER, Side Rail Rear Axle	8	—	—	—	—	—	—	2	—	—	—	—	2834 936
17-23-3	ABSORBER PACKAGE, Front, All		—	—	—	2	2	—	—	—	—	—	—	3004 961
	All		—	—	—	—	—	2	2	—	—	—	—	2525 461
	ABSORBER PACKAGE, Rear, All		—	—	—	2	2	—	—	—	—	—	—	2585 618
	All		—	—	—	—	—	2	2	—	—	—	—	2525 432
GROUP 19 - STEERING														
19-15-4	SHAFT, Strg. Column, w/Std. Strg.		—	—	—	1	1	—	—	—	—	—	—	2880 196
	w/Std. Strg.		—	—	—	—	—	1	1	—	—	—	—	2950 371
19-15-20	SPRING, Strg. Column Shaft Coupling Ground, w/Std. Strg.		—	—	—	1	1	1	1	—	—	—	—	2768 287
19-15-23	COUPLING, Strg. Column Shaft, w/Std. Strg.		—	—	—	1	1	1	1	—	—	—	—	2530 541
	BOLT		—	—	—	4	4	4	4	—	—	—	—	6026 435
19-15-43	FLANGE, Strg. Column Shaft Coupling w/Std. Strg.		—	—	—	1	1	1	1	—	—	—	—	2530 189
19-15-111	SHIELD, Strg. Column Shaft Coupling		—	—	—	—	—	1	1	—	—	—	—	2852 470
19-30-4	WHEEL, Strg., w/Three Spokes and Full Horn Ring, Black		—	—	—	—	—	1	1	—	—	—	—	4007 DX9
19-48-7	SMALL PARTS PACKAGE, Gearshift Control, w/Man. Trans. Column Shift		—	—	—	1	1	—	—	—	—	—	—	2808 425
	w/Man. Trans. Column Shift, w/225 and 318 Eng.		—	—	—	—	—	1	1	—	—	—	—	2808 427

TYPE LETTERS Indicates

B - Barracuda

V - Valiant
L - DartR - Belvedere
W - CoronetP - Plymouth
D - DodgeC - Chrysler
Y - Imperial

AR Indicates use as required.

= Indicates parts not listed in any previous parts book.

Numerals in parentheses () refer to notes.

★ Indicates change or addition.

Printed in U.S.A.
January 1971

1969 PASSENGER CAR PARTS CATALOG

CODE	PART NAME	MODEL CODES	SEE BOTTOM NOTE							PART NUMBER
			21	23	27	29	41	43	45	
POLICE										
GROUP 23 - BODY										
23-19-107	RELEASE, Manual Deck Lid Iowa, Comp.	P-K	—	—	—	—	1	—	—	# 3412 529
23-54-11	NAME PLATE, T/Gate Panel "Plymouth"	R,P	—	—	—	—	—	—	1	2785 791
	NUT	R	—	—	—	—	—	—	3	6027 553
	NUT	P	—	—	—	—	—	—	3	6027 551
	"Dodge"	W	—	—	—	—	—	—	1	2898 866
23-59-57	COVER, Roof Side Drain Trough Mldg. Joint	R,W	2	—	—	—	2	—	—	2783 028
		R,W	—	—	—	—	—	—	2	2605 208
	CAP, Roof Side Drain Trough Mldg. End	W	1	—	—	—	—	—	—	2840 884-5
	SCREW	W	2	—	—	—	—	—	—	6024 271
	CAP PACKAGE, Roof Side Drain Trough Mldg. End.	R	1	—	—	—	—	—	—	2932 536-7
23-59-61	MOULDING, Body Front Pillar Drain Trough	R,W	1	—	—	—	—	—	—	2840 280-1
		R,W	—	—	—	—	1	—	—	2840 274-5
		R,W	—	—	—	—	—	1	—	2605 854-5
	MOULDING, Roof Side Drain Trough	R,W	1	—	—	—	—	—	—	2840 282-3
		R,W	—	—	—	—	1	—	—	2840 276-7
		R,W	—	—	—	—	—	—	1	2840 278-9
	MOULDING, Roof Side Drain Trough Front	P	1	—	—	—	—	—	—	2902 066-7
		P	—	—	—	—	1	—	—	2902 064-5

NOTES

TYPE LETTERS Indicates	B - Barracuda	V - Valiant L - Dart	R - Belvedere W - Coronet	P - Plymouth D - Dodge	C - Chrysler Y - Imperial
NUMERALS INDICATE:	21 - 2 DR. SED. 23 - 2 DR. H.T.	27 - CONV. CPE. 29 - FAST BACK	41 - 4 DR. SED. 43 - 4 DR. H.T.	45 - 6 PASS. STA. WGN. 46 - 9 PASS. STA. WGN.	

AR Indicates use as required. Numerals in parentheses () refer to notes. Printed in U.S.A.
 # Indicates parts not listed in any previous parts book ★ Indicates change or addition. January 1971
 Right and left part numbers are on same line, first number is right, second number is left.

CODE	PART NAME	ENG. TYPE OR CU.IN.	V	B	L	R	W	P	D	C	C	C	Y	PART NUMBER
------	-----------	---------------------	---	---	---	---	---	---	---	---	---	---	---	-------------

TAXI

1969 Taxi Vehicles
 BODY TYPES
 R1, R2, W1, W2, P1, P2
 4 Door Sedan

GROUP 2 - FRONT SUSPENSION

2-14-1	BOLT and SWIVEL PACKAGE, Anchor Adjusting					2	2							2275 469
2-14-3	BAR or SPRING				1	1								1857 778-9
	P							1						2269 578-9
	D	8							1					2269 622-3

GROUP 3 - AXLE-REAR

NOTE: For Parts refer to Rear Axle Section of the Parts Catalog.

GROUP 4 - BRAKE-PARKING

4-10-35	ROD, Trans. Park Sprag				1	1	1	1						2466 894
---------	------------------------	--	--	--	---	---	---	---	--	--	--	--	--	----------

GROUP 5 - BRAKE-SERVICE

5-03-1	LINING PACKAGE, For Bonding 11" x 3" Frt., 11" x 2 1/2" Rr.				1	1								2585 683
	11" x 3" Frt. and Rr.						1	1						2585 685
5-03-3	SHOE and LINING PACKAGE 11" x 2 1/2" Brakes				1	1			1	1				2808 497
	11" x 3" Brakes													2808 496
5-03-23	SPRING, Wheel Brake Shoe Return				4	4	4	4						2768 024
5-05-0	DISC BRAKES													
5-05-1	HOUSING, Disc Brake				1	1								# 3412 451-2
5-05-16	SHIELD, Frt. Wheel Disc Brake Splash				2	2								# 3412 320
5-39-3	MASTER CYLINDER				1	1								2944 313
5-107-34	VALVE, Brake Metering				1	1								2836 810
5-107-38	BRACKET, Brake Metering Valve Attaching				1	1								2836 809

GROUP 8 - ELECTRICAL

8-05-2	LAMP, Dome, 4 D., w/N.Y. Taxi Type Headlining						1							2926 814
8-05-6	HOUSING, Dome Lamp, 4D., except N.Y. Taxi Type Headlining						1							2292 994
8-12-3	SOCKET, Open Door Indicator Lamp, 4 D							1	1					1753 632
8-12-14	LAMP, Open Door Indicator, 4 D				1	1	1	1						2426 179
8-12-17	CONTACT, Socket, 4 D							1	1					2256 966
8-15-32	CLIP, Alternator Wiring, w/Fuel Line, w/65 Amp. Compact L/N. Alternator	6						1						2765 032
8-33-4	RING, Horn, Full, w/3 Spoke Wheel				1	1								2925 488
8-33-5	RETAINER, Horn Button, w/o Simulated Wood						1	1						2852 491

TYPE LETTERS Indicates

B - Barracuda

V - Valiant
L - Dart

R - Belvedere
W - Coronet

P - Plymouth
D - Dodge

C - Chrysler
Y - Imperial

AR Indicates use as required.
= Indicates parts not listed in any previous parts book.

Numerals in parentheses () refer to notes.
★ Indicates change or addition.

Printed in U.S.A.
January 1971

1969 PASSENGER CAR PARTS CATALOG

POLICE-TAXI

CODE	PART NAME	ENG. TYPE OR CU.IN.	V	B	L	R	W	P	D	C	C	C	Y	PART NUMBER
			1-2	1-2	1-2	1-2	1-2	1-2	1-2	1	2	3	1	
TAXI														
GROUP 9 - ENGINE														
9-02-37	COVER, Cylinder Block Starter Opening	6	—	—	—	1	1	1	—	—	—	—	—	2536 649
9-45-1	FLYWHEEL, w/Ring GEAR	6	—	—	—	1	1	1	—	—	—	—	—	2863 405
9-45-2	GEAR, Flywheel Ring	6	—	—	—	1	1	1	—	—	—	—	—	2863 494
9-46-4	TORQUE CONVERTER, w/A727 Trans.	6	—	—	—	1	1	1	—	—	—	—	—	2801 359
9-46-8	PLATE, Torque Converter Drive	6	—	—	—	1	1	1	—	—	—	—	—	2204 719
GROUP 11 - EXHAUST														
11-02-1	CLAMP PACKAGE, Exhaust Pipe Brace	6	—	—	—	1	1	—	—	—	—	—	—	1843 010
		6	—	—	—	—	—	1	—	—	—	—	—	1843 008
11-08-5	BRACE, Exhaust Pipe	6	—	—	—	1	1	1	—	—	—	—	—	2530 790
GROUP 13 - FRAME OR FRONT FRAME STRUCTURE														
13-35-1	SHIELD, Battery Heat		—	—	—	1	1	—	—	—	—	—	—	2768 352
			—	—	—	—	—	1	1	—	—	—	—	2530 975
GROUP 14 - FUEL														
14-06-1	SPRING, Pedal Return, 30 Coils, Painted Brown	225	—	—	—	1	1	1	—	—	—	—	—	2946 699
	36 Coils, Painted Orange, Trans. Rod Return	225	—	—	—	1	1	1	—	—	—	—	—	2946 698
14-11-9	ROD, B/Crank to Trans.	225	—	—	—	1	1	1	—	—	—	—	—	2946 649
14-26-6	BRACKET	225	—	—	—	1	1	1	—	—	—	—	—	2536 150
GROUP 17 - REAR SPRINGS														
17-11-3	SPRING, w/BUSHING	6	—	—	—	2	2	—	—	—	—	—	—	3004 655
	All	8	—	—	—	2	2	—	—	—	—	—	—	2585 640
	All		—	—	—	—	—	2	—	—	—	—	—	3004 657
17-12-4	LEAF, w/BUSHING, Main	8	—	—	—	—	—	—	2	—	—	—	—	2585 240
	All		—	—	—	—	—	—	2	—	—	—	—	2585 648
	All	8	—	—	—	—	—	—	2	—	—	—	—	2808 538
17-12-12	INTERLINER		—	—	—	—	—	AR	—	—	—	—	—	2808 547
17-17-3	BUSHING, Front Pivot, Al		—	—	—	2	2	2	2	—	—	—	—	1948 396
17-19-3	BUMPER, Side Rail Rear Axle	8	—	—	—	—	—	—	2	—	—	—	—	1948 869
17-23-3	ABSORBER PACKAGE, Front, All		—	—	—	2	2	—	—	—	—	—	—	2834 915
	All		—	—	—	—	—	2	2	—	—	—	—	3004 961
	ABSORBER PACKAGE, Rear, All		—	—	—	2	2	—	—	—	—	—	—	2525 461
	All		—	—	—	—	—	2	2	—	—	—	—	2585 618
			—	—	—	—	—	2	2	—	—	—	—	2525 432
GROUP 19 - STEERING														
19-48-7	SMALL PARTS PACKAGE, Gearshift Control, w/Man. Trans. Column Shift		—	—	—	1	1	—	—	—	—	—	—	2808 425
	w/Man. Trans. Column Shift, w/225 and 318 Eng.		—	—	—	—	—	1	1	—	—	—	—	2808 427

TYPE LETTERS Indicates

B - Barracuda

V - Valiant
L - Dart

R - Belvedere
W - Coronet

P - Plymouth
D - Dodge

C - Chrysler
Y - Imperial

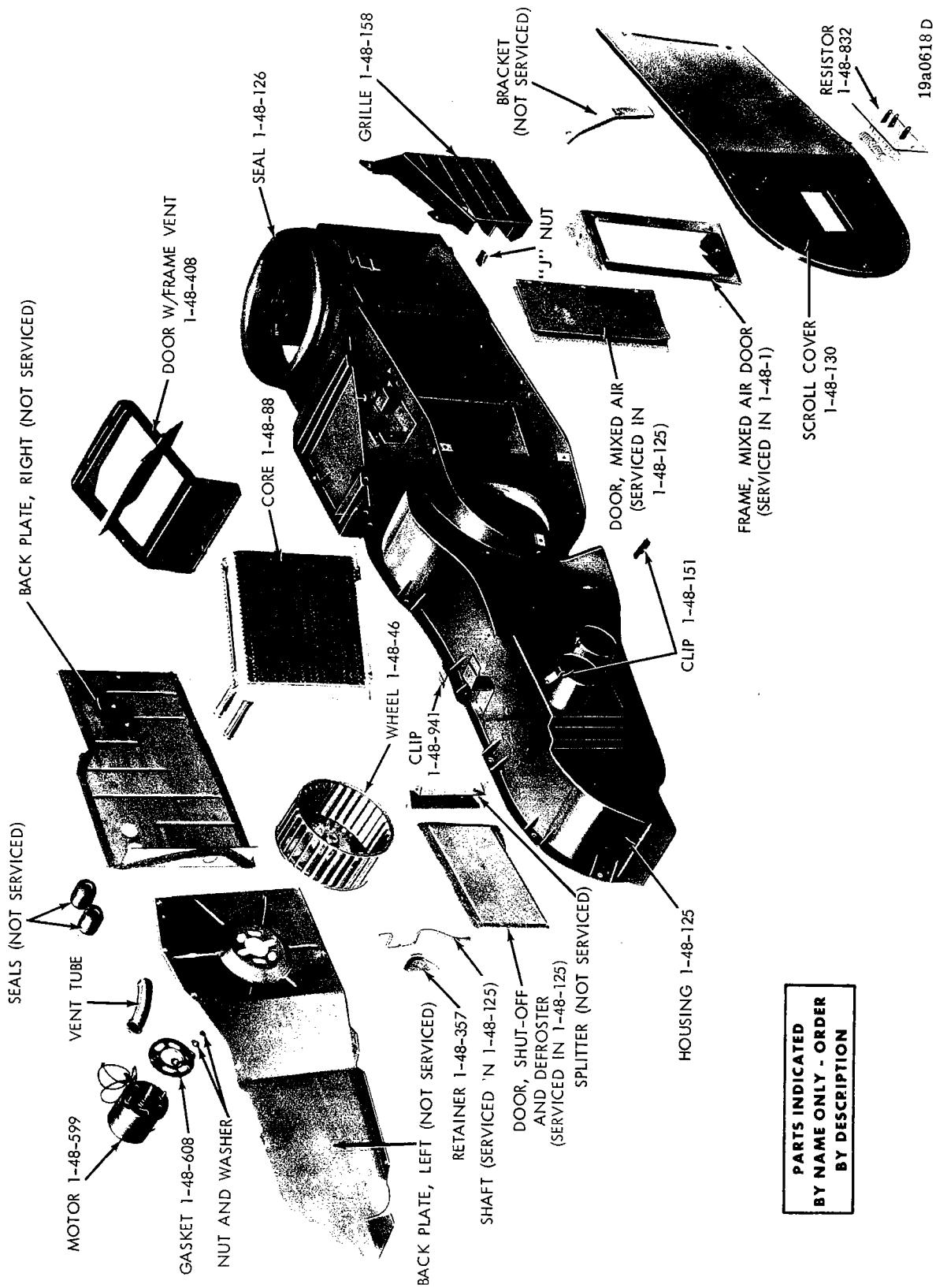
AR Indicates use as required.

= Indicates parts not listed in any previous parts book.

Numerals in parentheses () refer to notes.

★ Indicates change or addition.

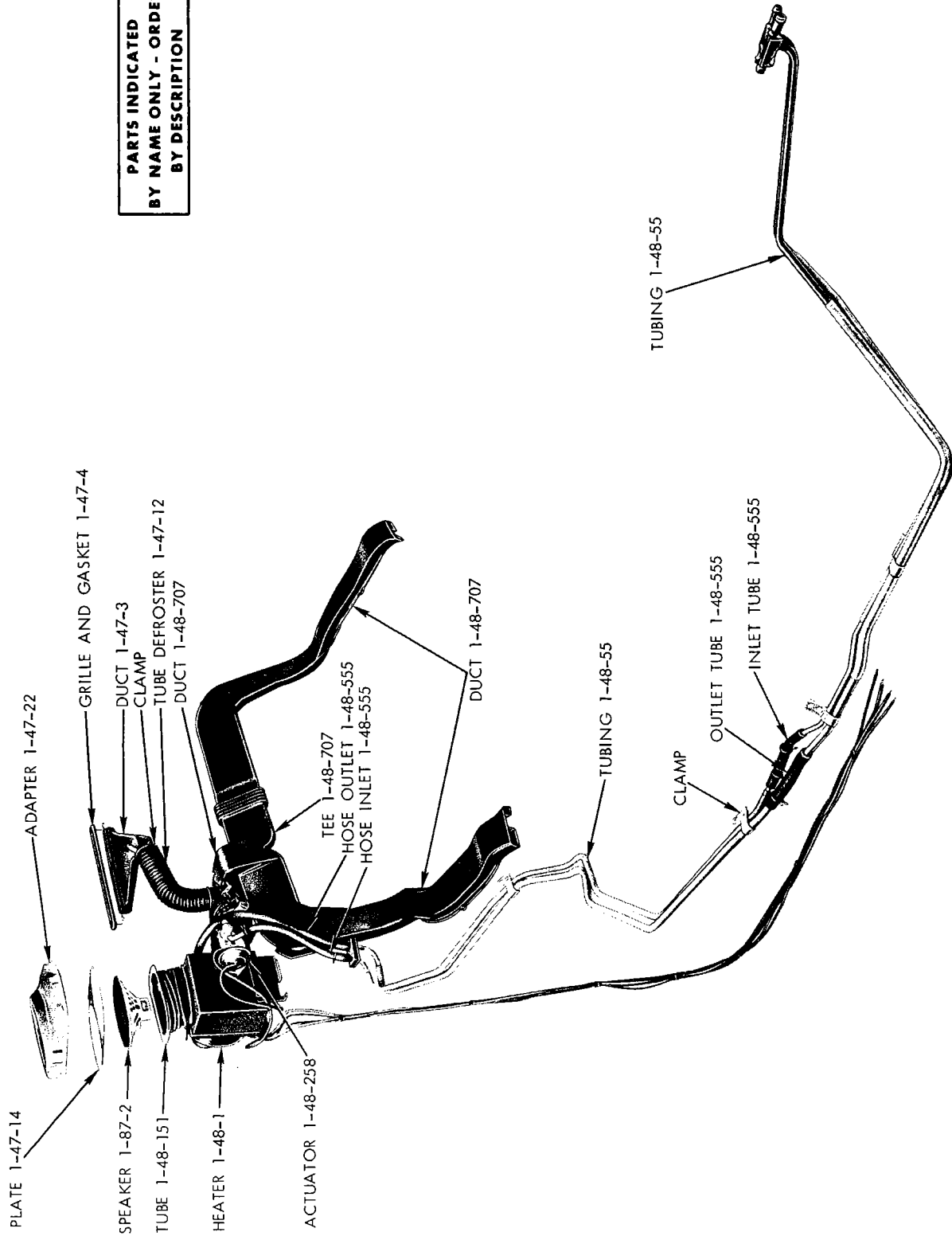
Printed in U.S.A.
January 1971



**PARTS INDICATED
BY NAME ONLY - ORDER
BY DESCRIPTION**

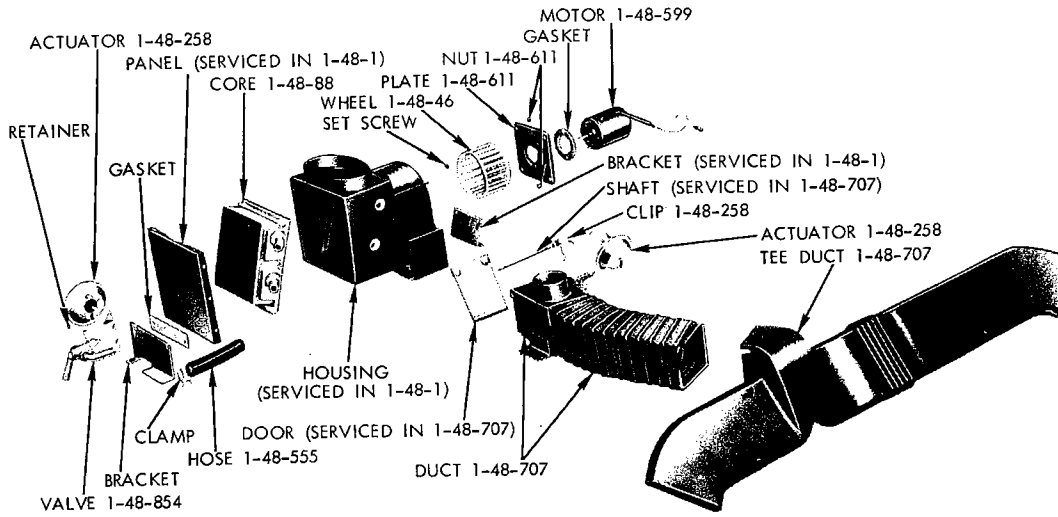
HEATER - BELVEDERE AND CORONET

PARTS INDICATED
BY NAME ONLY - ORDER
BY DESCRIPTION



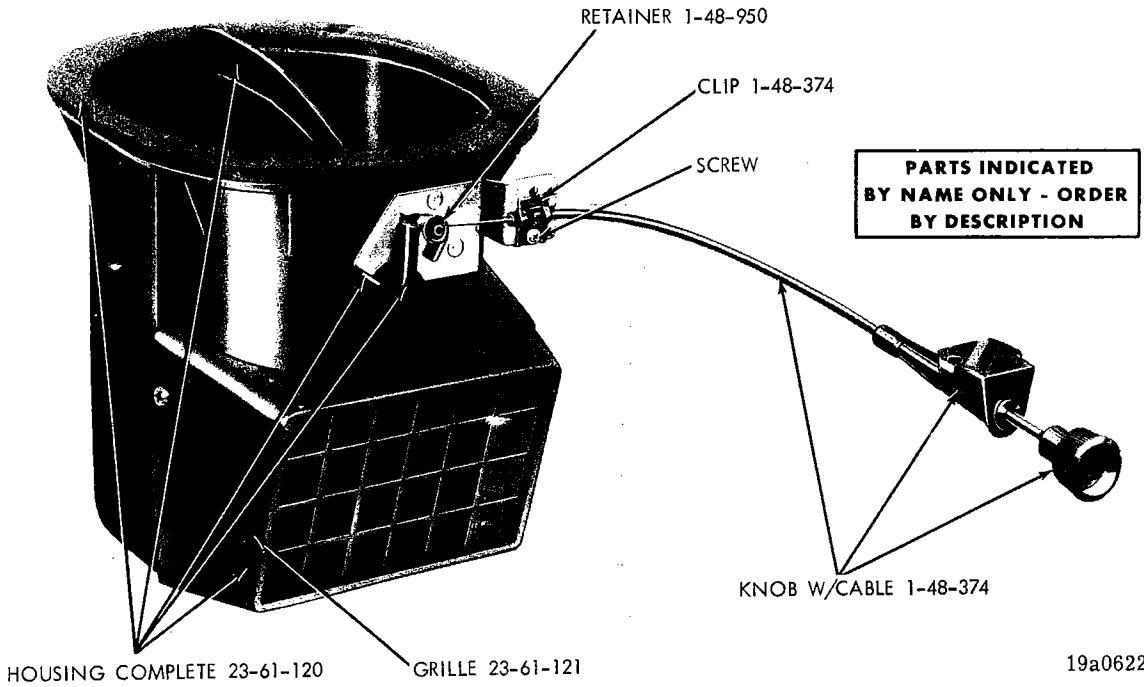
REAR HEATER AND PLUMBING SYSTEM - CHRYSLER AND IMPERIAL

19a2783



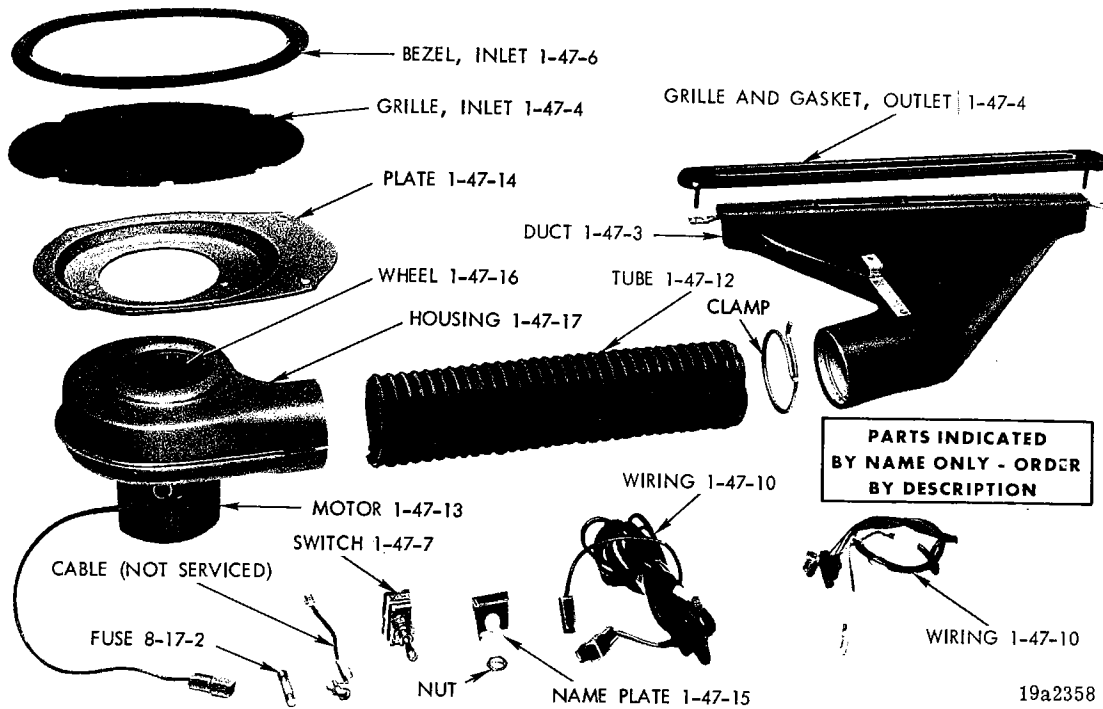
19a2453

REAR HEATER - CHRYSLER AND IMPERIAL

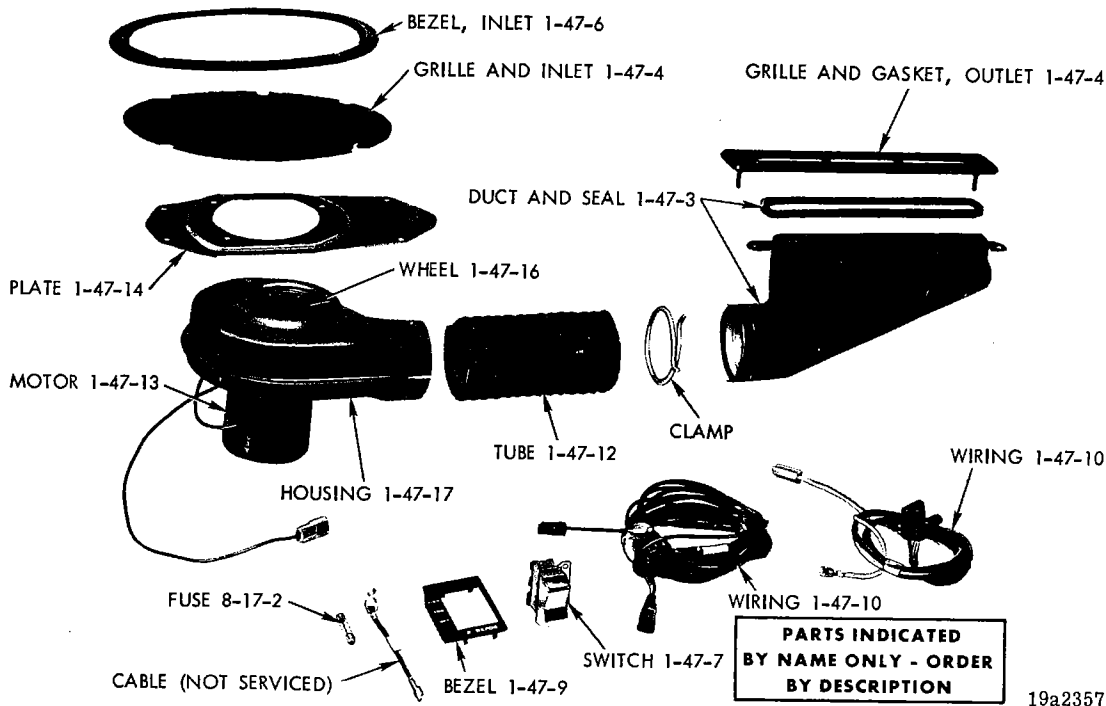


19a0622A

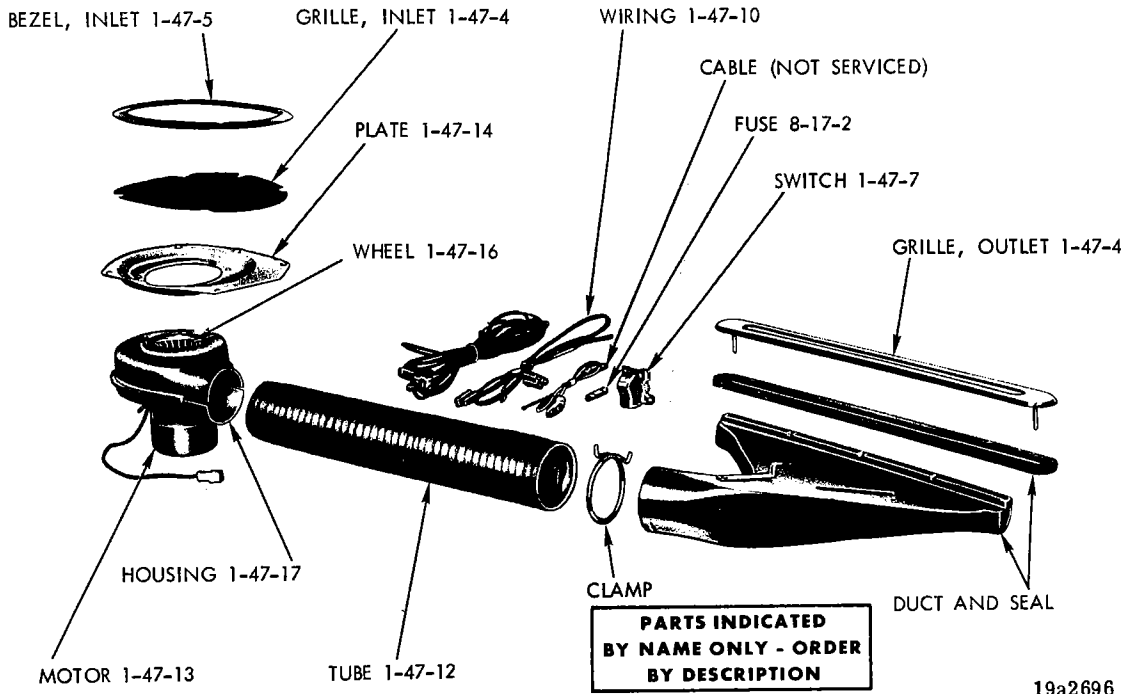
FRESH AIR DOOR - BELVEDERE AND CORONET



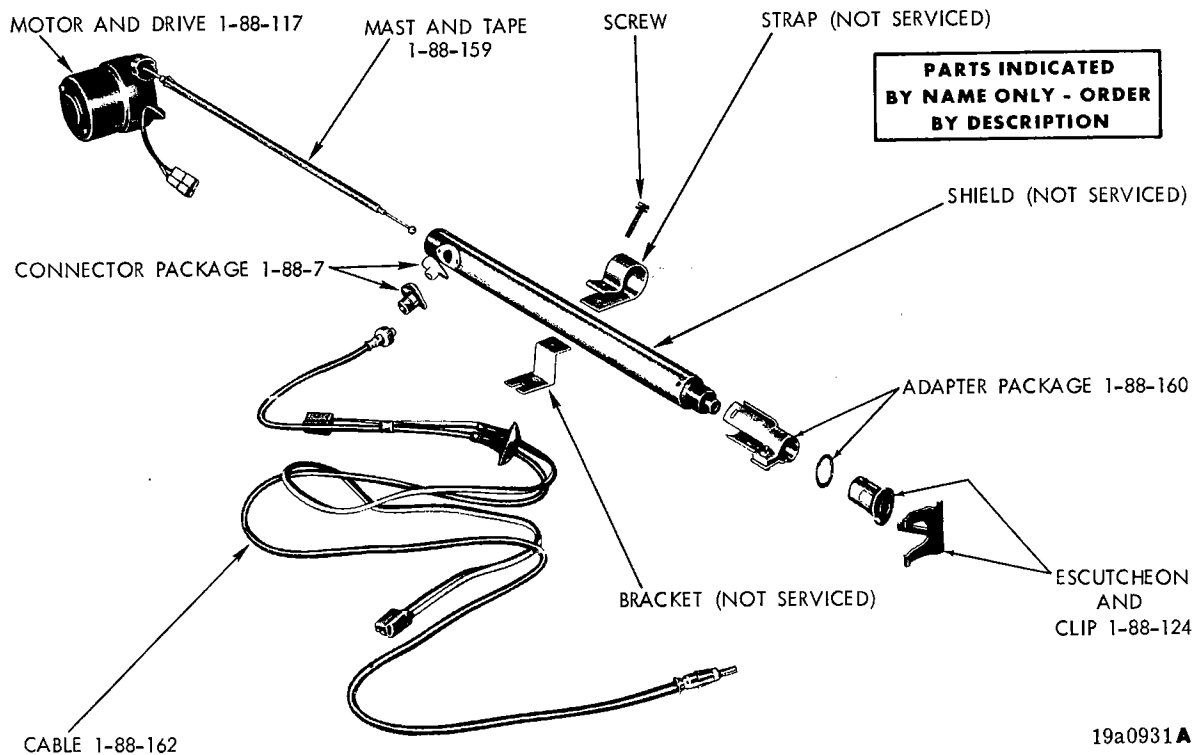
REAR WINDOW DEFOGGER - VALIANT, BARRACUDA AND DART



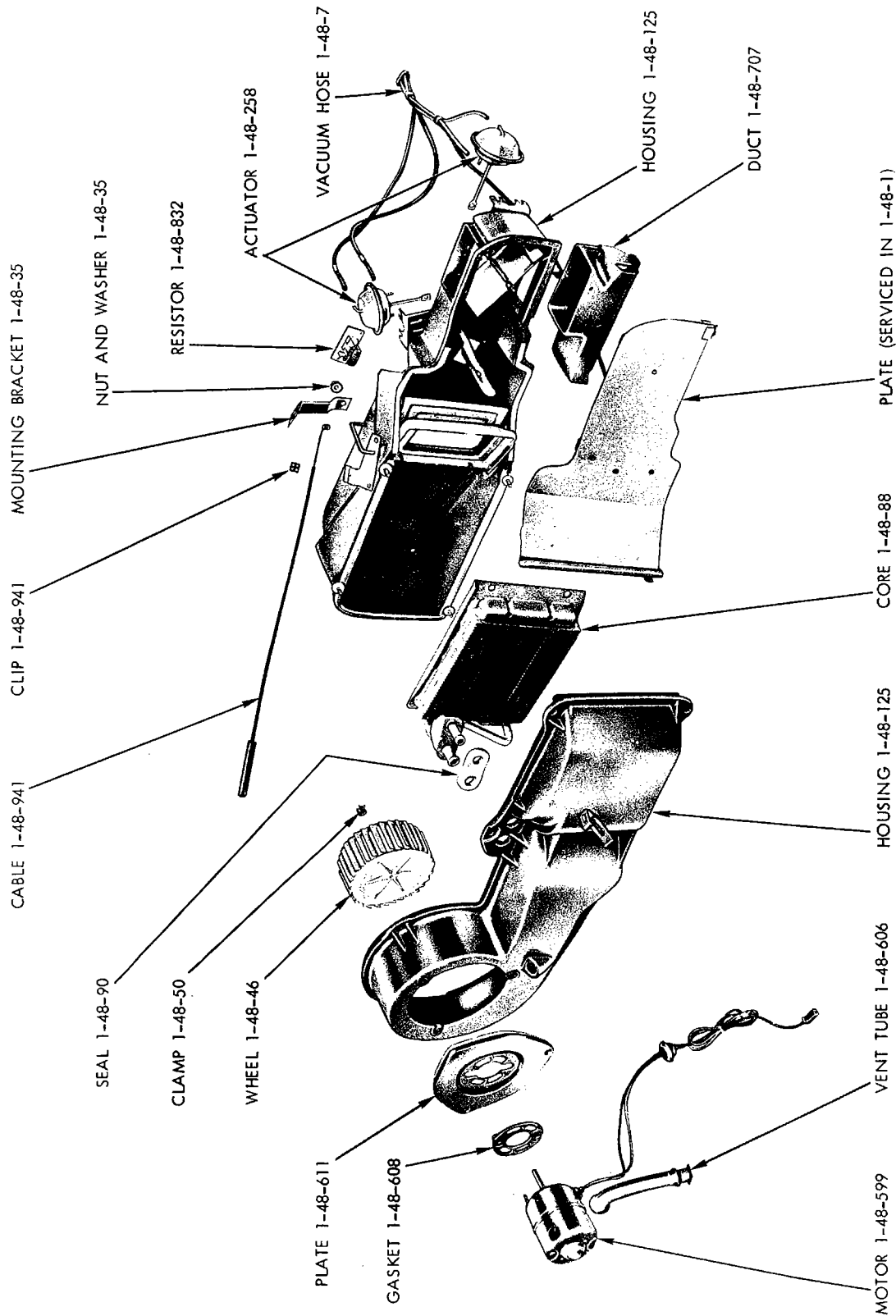
REAR WINDOW DEFOGGER - CHARGER (TYPICAL OF BELVEDERE AND CORONET)



REAR WINDOW DEFOGGER - PLYMOUTH, DODGE, CHRYSLER AND IMPERIAL

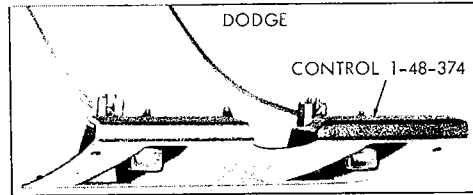
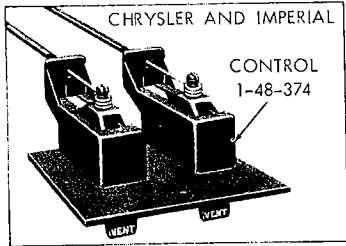
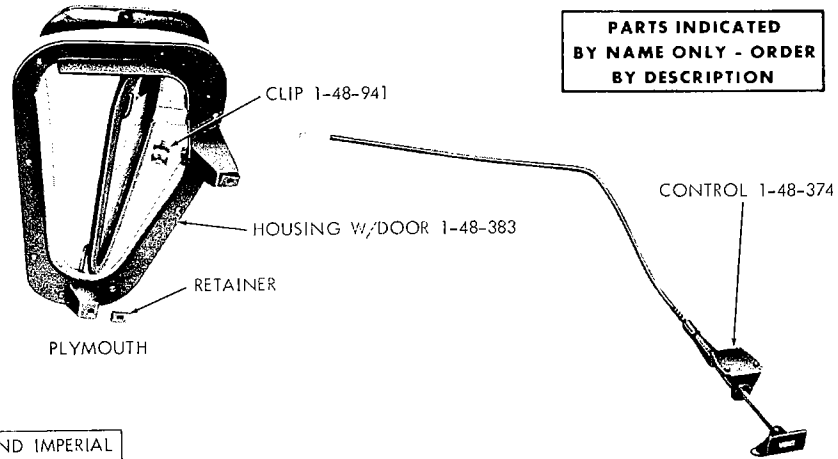


POWER ANTENNA - CHRYSLER AND IMPERIAL



19a2691

HEATER ASSEMBLY - PLYMOUTH, DODGE, CHRYSLER AND IMPERIAL



19a2655

FRESH AIR DOOR AND CONTROLS - PLYMOUTH, DODGE, CHRYSLER AND IMPERIAL

NOTES

NOTES

Series of horizontal lines for notes.

CODE	PART NAME	ENG. TYPE OR CU.IN.	V	B	L	R	W	P	D	C	C	C	Y	PART NUMBER
			1-2	1-2	1-2	1-2	1-2	1-2	1-2	1	2	3	1	
1-04-0 AUTOMATIC HEADLAMP DIMMER										1	1	1	1	2947 065
1-04-4	SCANNER		—	—	—	—	—	—	—	—	—	—	1	2947 866
1-04-10	COVER, Scanner		—	—	—	—	—	—	—	—	—	—	1	2947 015
1-04-11	BRACKET, Scanner Mtg.		—	—	—	—	—	—	—	1	1	1	—	2947 014
			—	—	—	—	—	—	—	1	1	1	1	2661 835
1-04-14	SWITCH, Scanner		—	—	—	—	—	—	—	1	1	1	1	2947 696
1-04-19	RELAY, Auto. Headlamp Dimmer		—	—	—	—	—	—	—	1	1	1	1	2947 066
1-04-22	SPRING, Scanner Mtg.		—	—	—	—	—	—	—	1	1	1	1	
1-06-0 EMERGENCY FLASHER UNIT													1	2196 300
1-06-2	FLASHER, Hazard Warning		—	—	—	—	—	—	—	—	—	—	—	2932 877
			1	1	1	1	1	1	1	1	1	1	—	2771 124
1-06-3	SWITCH		—	—	—	—	—	—	—	—	—	—	—	2820 454
			—	1	1	—	—	—	—	—	—	—	—	2864 485
			—	—	—	—	—	1	1	1	1	1	—	2947 089
			—	—	—	—	—	—	—	—	—	—	1	2864 005
			—	—	—	1	1	—	—	—	—	—	—	1887 603
1-06-17	NUT, Switch Mtg.		—	1	—	—	—	—	—	—	—	—	—	2580 774
1-06-18	BEZEL, Flasher Switch		—	—	1	—	—	—	—	—	—	—	—	
1-07-0 SHOCK ABSORBER														2421 075
1-07-1	SHOCK ABSORBER, Rr.		2	2	2	—	—	—	—	—	—	—	—	2462 179
			—	—	—	2	2	2	2	2	2	2	—	
1-12-0 CIGAR LIGHTER														2947 219
1-12-1	CIGAR LIGHTER PACKAGE		1	—	1	—	—	—	—	—	—	—	—	
1-13-0 UNDERHOOD LAMP														2580 612
1-13-10	LAMP PACKAGE		1	1	1	1	1	1	1	1	1	1	1	2580 611
	SWITCH		1	1	1	1	1	1	1	1	1	1	1	1264 933
1-13-17	SLEEVE		1	1	1	1	1	1	1	1	1	1	1	
1-14-0 MAP AND COURTESY LAMP														2947 218
	MAP and Courtesy Lamp Package		—	—	—	—	—	—	—	—	1	1	1	2947 269
			1	1	1	—	—	—	—	—	—	—	—	2864 324
			—	—	—	1	1	—	—	—	—	—	—	2947 493
			—	—	—	—	1	1	—	—	—	—	—	
NOTE: SEE P.T.C. 8-11-2 FOR P,D.														
1-19-0 GLOVE COMPARTMENT LAMP														2864 325
1-19-1	LAMP PACKAGE		1	1	1	1	1	—	—	—	—	—	—	2947 285
			—	—	—	—	—	1	1	—	—	—	—	2947 218
			—	—	—	—	—	—	—	1	1	1	—	
1-21-0 CLOCK														2857 678
1-21-1	CLOCK PACKAGE		—	1	—	—	—	—	—	—	—	—	—	2889 620
	R All, W except Fast Back, 4 D.H.T.		—	—	—	1	1	—	—	—	—	—	—	2857 182
	w/o Tach, W-P, W-S Fast Back, W-M	All	—	—	—	—	1	—	—	—	—	—	—	2927 337
	Imperial		—	—	—	—	—	—	—	—	—	—	1	2927 972
			—	—	—	—	—	1	—	—	—	—	—	2927 973
			—	—	—	—	—	—	1	1	1	—	—	2927 999
			—	—	—	—	—	—	—	—	—	—	—	2857 739
1-21-19	CABLE, Clock Reset		—	1	—	—	—	—	—	—	—	—	—	2927 119
			—	—	—	—	—	—	1	—	—	—	—	2857 543
1-21-24	KNOB, Rest		—	—	—	—	—	1	—	1	1	1	1	2290 592
			—	—	—	1	1	—	—	—	—	—	—	

TYPE LETTERS Indicates

B - Barracuda

V - Valiant
L - DartR - Belvedere
W - CoronetP - Plymouth
D - DodgeC - Chrysler
Y - Imperial

AR Indicates use as required.

Indicates parts not listed in any previous parts book.

Numerals in parentheses () refer to notes.

★ Indicates change or addition.

Printed in U.S.A.
January 1971

CODE	PART NAME	ENG. TYPE OR CU.IN.	V	B	L	R	W	P	D	C	C	C	Y	PART NUMBER
			1-2	1-2	1-2	1-2	1-2	1-2	1-2	1	2	3	1	
1-21-0 CLOCK Cont'd.														
1-21-25	BEZEL, Clock, w/A/Cond.		—	—	—	—	—	—	—	—	—	—	1	2927 350
	Rr. Air Switch, w/A/Cond.		—	—	—	—	—	—	—	—	—	—	1	2927 349
	Rr. Fan, Rr. Heater Switch, w/A/Cond.		—	—	—	—	—	—	—	—	—	—	1	2927 348
1-21-27	NUT, Reset Knob Mtg.		—	—	—	1	1	1	—	1	1	1	1	2257 804
			—	1	—	—	—	—	1	—	—	—	—	1886 089
1-30-0 TRUNK LAMP														
1-30-1	LAMP PACKAGE		1	1	1	1	1	1	1	1	1	1	—	2580 612
1-36-0 TACHOMETER														
1-36-1	TACHOMETER PACKAGE, L-P, L-S		—	—	1	—	—	—	—	—	—	—	—	2857 374
1-39-0 FUEL TANK FILLER CAP														
1-39-2	LOCKING CAP, Sta. Wgn.		—	—	—	—	—	1	1	1	—	1	—	2409 393
	R-L, R-H, W-L, W-H. Sta. Wgn.		—	—	—	1	1	—	—	—	—	—	—	2660 899
	except Sta. Wgn. except Fast Back		—	—	—	1	1	1	1	1	1	1	—	2534 323
			1	—	1	—	—	—	—	—	—	—	—	2823 888
	B and W Fast Back		—	1	—	—	1	—	—	—	—	—	—	2925 881
1-42-0 POWER BRAKE PACKAGE (FOR FIELD INSTALLATION)														
1-42-1	Midland Ross Unit, w/Drum Brakes		1	1	1	—	—	—	—	—	—	—	—	3004 621
	Midland Ross and Bendix Units Drum		—	—	—	—	—	—	—	—	—	—	—	3004 622
	Brakes Except Sta. Wgn.		—	—	—	1	1	—	—	—	—	—	—	3420 001
	Bendix Unit Drum Brakes Sta. Wgn.		—	—	—	1	1	—	—	—	—	—	—	3004 867
	Midland Ross Unit Drum Brakes		—	—	—	—	—	1	1	1	1	1	—	3004 867
1-47-0 REAR WINDOW DEFOGGER														
1-47-1	DEFOGGER PACKAGE, Rr. Window,		1	—	—	—	—	—	—	—	—	—	—	2837 969
	2D., 4D.		—	1	—	—	—	—	—	—	—	—	—	2837 970
	2D.H.T.		—	1	—	—	—	—	—	—	—	—	—	2837 262
	Fast Back		—	1	—	—	—	—	—	—	—	—	—	2837 971
	2D.H.T., 4D		—	—	1	—	—	—	—	—	—	—	—	2837 972
	2D., 2D.H.T., 4D.		—	—	—	1	1	—	—	—	—	—	—	2936 885
	W-P, W-S, Fast Back, W-M All		—	—	—	—	1	—	—	—	—	—	—	2936 701
	BASIC PACKAGE, use w/Adapter Pkg.		—	—	—	—	—	1	1	1	1	1	1	2936 701
1-47-2	ADAPTER PACKAGE, Rr. Window		—	—	—	—	—	—	—	—	—	—	—	2936 702
	Defogger,		—	—	—	—	—	1	1	—	—	—	—	2936 703
	P2 D., 4 D., and Fast Back, 4 D.H.T.		—	—	—	—	—	1	1	—	—	—	—	2936 703
	2 D.H.T., 4 D.H.T.		—	—	—	—	—	1	1	—	—	—	—	2936 703
	2 D.H.T., 4 D., 4D.		—	—	—	—	—	—	—	1	1	1	1	2936 704
	w/Rr. Dual Speakers, 2 D., 2 D.H.T.		—	—	—	—	—	—	—	—	—	—	—	2936 704
	4 D.H.T., Fast Back		—	—	—	—	—	1	1	1	1	1	1	2936 704
1-47-3	DUCT, Rr. Window Defogger,		—	—	—	—	—	—	—	—	—	—	—	2837 748
	2 D., 4 D.		1	—	—	—	—	1	1	—	—	—	—	2837 177
	Fast Back		—	1	—	—	—	—	—	—	—	—	—	2837 748
	2 D., 2 D.H.T., 4 D.		—	—	—	1	1	—	—	—	—	—	—	2837 748
	2 D.H.T., 4 D., 4 D.H.T.		—	—	—	—	—	—	—	1	1	1	1	2837 748
	W-P, W-S, Fast Back		—	—	—	—	—	—	—	—	—	—	—	2607 754
	2 D., 4 D.H.T. Fast Back		—	—	—	—	—	1	—	—	—	—	—	2607 754
	4 D.H.T., Fast Back		—	—	—	—	—	1	—	—	—	—	—	2607 754
	2 D.H.T., 4 D.H.T.		—	—	—	—	—	—	—	1	1	1	1	2607 776
	2 D.H.T., 4 D.		—	—	1	—	—	—	—	—	—	—	—	2485 738

TYPE LETTERS Indicates

B - Barracuda

V - Valiant
L - DartR - Belvedere
W - CoronetP - Plymouth
D - DodgeC - Chrysler
Y - Imperial

AR Indicates use as required.

Indicates parts not listed in any previous parts book.

Numerals in parentheses () refer to notes.

★ Indicates change or addition.

Printed in U.S.A.
January 1971

CODE	PART NAME	ENG. TYPE OR CU.IN.	V	B	L	R	W	P	D	C	C	C	Y	PART NUMBER
			1-2	1-2	1-2	1-2	1-2	1-2	1-2	1	2	3	1	
1-47-0 REAR WINDOW DEFOGGER Cont'd.														
1-47-4	GRILLE and GASKET, Outlet, 2 D., 4 D.		1	—	—	—	—	—	—	—	—	—	—	2521 668
	2 D., 2 D.H.T., 4 D.		—	—	—	1	1	—	—	—	—	—	—	2521 668
	2 D.H.T., 4 D.		—	—	—	—	—	1	1	—	—	—	—	2521 668
	2 D.H.T., 4 D., 4 D.H.T.		—	—	—	—	—	—	—	1	1	1	1	2521 668
	LOUVER, Defogger Outlet, 2 D.H.T.		—	2	—	—	—	—	—	—	—	—	—	2837 752
	2 D., 2 D.H.T., 4 D.		—	—	1	—	—	—	—	—	—	—	—	2219 627
	GRILLE, Defogger Inlet, 2 D., 2 D.H.T., Fast Back, 4 D.		1	1	1	1	1	1	1	1	1	1	1	2837 220
1-47-5	CLIP, Outlet Louver Retainer		—	1	—	—	—	—	—	—	—	—	—	1842 965
1-47-6	BEZEL and SEAL, Outlet, W-P, W-S, Fast Back		—	—	—	—	1	—	—	—	—	—	—	2837 303
	2 D., 4 D.H.T., Fast Back		—	—	—	—	—	1	—	—	—	—	—	3441 005
	4 D.H.T.		—	—	—	—	—	—	1	—	—	—	—	3441 005
	BEZEL and SEAL, Inlet, 2 D.H.T., Fast Back		—	1	—	—	—	—	—	—	—	—	—	2837 219
	2 D., 2 D.H.T., Fast Back, 4 D.		1	—	1	1	1	1	—	—	—	—	—	2837 219
	2 D.H.T., 4 D., 4 D.H.T.		—	—	—	—	—	—	1	1	1	1	1	2837 219
1-47-7	SWITCH, Rr. Window Defogger, 2 D., 4 D.		1	—	—	—	—	—	—	—	—	—	—	2820 455
	2 D.H.T., Fast Back		—	1	—	—	—	—	—	—	—	—	—	2820 455
	2 D.H.T., 4 D.		—	—	1	—	—	—	—	—	—	—	—	2820 455
	2 D.H.T., 4 D., 4 D.H.T.		—	—	—	—	—	—	1	1	1	1	—	2864 440
	2 D., 2 D.H.T., 4 D., 4 D.H.T., Fast Back		—	—	—	—	—	—	1	—	—	—	—	2864 440
	Y		—	—	—	—	—	—	—	—	—	—	1	2947 258
	R,W.		—	—	—	1	1	—	—	—	—	—	—	2864 006
	2 D., 2 D.H.T., Fast Back, 4 D, 4 D.H.T.		—	—	—	—	—	—	1	—	—	—	—	2631 637
1-47-8	KNOB, 2 D.H.T., 4 D.		—	—	1	—	—	—	—	—	—	—	—	2631 689
	Y		—	—	—	—	—	—	—	—	—	—	1	2820 234
	2 D., Fast Back, W-M, W-P, W-S		—	—	—	—	—	1	—	—	—	—	—	2947 247
	2 D.H.T., Cv. Cp., W-S		—	—	—	—	—	1	—	—	—	—	—	2947 247
1-47-9	BEZEL, DEFOGGER SWITCH, 2 D.H.T., 4 D.		—	—	1	—	—	—	—	—	—	—	—	2580 774
	w/Dual A/Cond. and Htr.		—	—	—	—	—	—	—	1	1	1	—	2927 237
	Rr. Fan and Rr. Htr.		—	—	—	—	—	—	—	—	1	1	1	2927 238
1-47-10	WIRING, Rr. Window Defogger		—	—	—	1	1	—	—	—	—	—	—	2889 777
	Rr. Window Defogger Motor		—	—	—	—	—	1	1	1	1	1	1	2822 529
	Fast Back		—	1	—	—	—	—	—	—	—	—	—	2822 529
	2 D.H.T., 4 D., except Fast Back		1	1	1	—	—	—	—	—	—	—	—	2889 561
1-47-12	TUBE, Defogger Blower to Duct, 2 D.H.T.		—	1	—	—	—	—	—	—	—	—	—	2837 237
	2 D., 2 D.H.T., 4 D.		1	—	1	1	1	—	—	—	—	—	—	2096 989
	2 D., 2 D.H.T., 4 D., 4 D.H.T.		—	—	—	—	—	1	1	1	1	1	1	2096 989
	W-P, W-S, Fast Back		—	—	—	1	1	—	—	—	—	—	—	2096 989
1-47-13	BLOWER MOTOR and BRACKET		1	1	1	1	1	1	1	1	1	1	1	2096 772
1-47-14	PLATE, Defogger Blower Mtg., All Exc. Conv. and Sta. Wgn.		1	1	1	—	—	—	1	1	1	1	1	2607 141
	FAST BACK, 4D, 4Dr. H.T., 2 Dr. H.T., 2 Dr.		—	1	—	—	—	—	1	1	1	1	1	2837 178
	2Dr. H.T., Exc. Fast Back		—	1	—	—	—	—	—	—	—	—	—	1887 582
	2 D., 2 D.H.T., 4 D.		—	—	—	1	1	—	—	—	—	—	—	1887 582
	W-P, W-S, Fast Back		—	—	—	—	1	—	—	—	—	—	—	2607 769
	Blower and Speaker Mtg., 2 D., 2 D.H.T., 4 D.H.T., Fast Back		—	—	—	—	—	—	1	—	—	—	—	2936 347
	2 D.H.T., 4 D.H.T.		—	—	—	—	—	—	—	1	—	—	—	2936 347
	2 D.H.T., 4 D.H.T.		—	—	—	—	—	—	—	1	1	1	1	2936 347
	2 D.H.T.		1	1	1	—	—	—	—	—	—	—	—	2631 657
1-47-15	NAME PLATE, Defogger Switch Instrument Cluster		—	—	1	—	—	—	—	—	—	—	—	2771 705
	DECAL, Defogger Switch		—	—	—	1	1	—	—	—	—	—	—	2947 211
	Defogger Switch		—	—	—	—	—	1	—	—	—	—	—	2947 186

TYPE LETTERS Indicates V - Valiant B - Barracuda R - Belvedere L - Dart W - Coronet P - Plymouth C - Chrysler D - Dodge Y - Imperial

AR Indicates use as required. Numerals in parentheses () refer to notes. Printed in U.S.A. # Indicates parts not listed in any previous parts book. ★ Indicates change or addition. January 1971

CODE	PART NAME	ENG. TYPE OR CU.IN.	V	B	L	R	W	P	D	C	C	C	Y	PART NUMBER
			1-2	1-2	1-2	1-2	1-2	1-2	1-2	1	2	3	1	
1-47-0	REAR WINDOW DEFOGGER Cont'd.													
1-47-16	WHEEL, Rr. Window Defogger Blower		1	1	1	1	1	1	1	1	1	1	1	1239 241
1-47-17	HOUSING, Rr. Window Defogger Blower		1	1	1	1	1	1	1	1	1	1	1	1262 318
1-47-22	ADAPTER, Htr. and Defogger Duct Mtg.												1	2607 242
	Rr. Htr. and Defogger Blower and Speaker							1	1	1	1	1	1	2936 346
1-47-23	PLATE, Rr. Window Defogger Switch Mtg., W-M, W-P, W-S, 2 D., Fast Back							1						2947 246
	W-S, 2 D.H.T., w/Rallye Instrument Panel						1							2947 246
	W-S, Cv. Cp., w/Rallye Instrument Panel					1								2947 246
	Cv. Cp., Sta. Wgn.								1	1	1			2947 246
1-47-24	SLEEVE, Rr. Window Defogger Blower Motor		1	1	1	1	1	1	1	1	1	1	1	1264 933
1-47-26	SPACER, Defogger Switch				1									2820 200

1-48-0 HEATER AND COMPONENTS

NOTE: ALL THESE HEATERS ARE FOR REPLACEMENT ONLY NOT FOR FIELD INSTALLATION

1-48-1	HEATER, Complete, w/o A/Cond. Model 702 w/o A/Cond.					1	1							2837 500
	Rr. Htr. Complete, 2 D.H.T., 4 D., 4 D.H.T.		1	1	1									2837 550
	Htr. Unit, A/Cond. and Htr. Complete Heater, U.S. Built								1	1	1	1		2936 513
	HEATER ASSY. COMPLETE								1	1	1	1		2837 802
	Canada				1	1								2936 066
	Canada							1	1					2936 067
	Canada								1	1	1	1		2837 501
1-48-4	CONTROL, Heater w/A/Cond.		1	1	1									2936 069
	w/o A/Cond.							1						2884 107
	w/o A/Cond.								1					2884 332
	w/o A/Cond.											1		2884 344
	w/o A/Cond.												1	2884 359
	w/a/Cond.								1	1	1			2884 360
	w/A/Cond., AT.C					1	1			1	1	1		2884 742
1-48-5	ADAPTOR, Rr. Htr. Inlet and Speaker, 2 D.H.T.								1	1	1	1		2884 368
	2 D., 2 D.H.T., Fast Back, 4 D.H.T.							1						2936 042
	2 D.H.T., 4 D.H.T.								1					2936 346
1-48-7	HOSE, w/CONNECTOR, Htr. Vacuum Control									1	1	1	1	2936 346
										1	1	1	1	2884 562
1-48-10	LAMP and SOCKET, Htr. Control							1	1					2884 557
1-48-12	EXTENSION and COVER Htr. Control								1					2884 265
	Push Button, Defroster									1	1	1	1	2884 380
	Hi Heat									1	1	1	1	2884 379
	Hi Temp.									1	1	1	1	2884 378
	Off									1	1	1	1	2884 377
	PUSH BUTTON, Slider Htr. Temp. Control													2884 169
	Htr. Fan Control				1	1								2884 167
	PUSH BUTTON, Slider Htr. Control				1	1								2884 747

TYPE LETTERS Indicates

B - Barracuda

V - Valiant
L - DartR - Belvedere
W - CoronetP - Plymouth
D - DodgeC - Chrysler
Y - Imperial

AR Indicates use as required.

Indicates parts not listed in any previous parts book.

Numerals in parentheses () refer to notes.

★ Indicates change or addition.

Printed in U.S.A.
January 1971

CODE	PART NAME	ENG. TYPE OR CU.IN.	V	B	L	R	W	P	D	C	C	C	Y	PART NUMBER
			1-2	1-2	1-2	1-2	1-2	1-2	1-2	1	2	3	1	
1-48-12	EXTENSION and COVER Cont'd.													
	Htr. and Defroster					1	1							2884 746
	Fan					1	1							2884 745
	EXTENSION, Push Button Fan Control								1					2884 205
	A/Cond. and Htr. Control								1					2884 262
1-48-15	REPAIR KIT, Heater Control Vacuum Hose		1	1	1	1	1	1	1	1	1	1	1	2275 215
1-48-33	SLIDER, Push Button Heater Control								1					2884 573
	Air, Defroster Temp.								1					2884 346
	Heat and Defrost												1	2884 531
	Thumb Wheel, Auto. Temp. Control													2277 551
1-48-35	PLATE, Htr. Defroster Door Mtg.		2	2	2									2936 070
	Bracket, Htr. Support						1	1	1	1				
1-48-46	WHEEL, Htr. Blower Motor		1	1	1									2277 597
	Note - (1)					1	1							3420 614
								1	1	1	1	1	1	2808 880
1-48-50	CLAMP, Htr. Blower Motor Wheel		1	1	1	1	1	1	1	1	1	1	1	2837 680
1-48-55	TUBING, Rr. Htr. U/Body									1	1	1		2936 542
	Rr. Htr. U/Body Frt.												1	2936 547
	RR. Htr. U/BODY RR.									1	1	1	1	2936 550
1-48-70	BEZEL, Htr. Control, w/o A/Cond.							1						2884 085
	w/A/Cond.									1	1	1		2884 319
	w/o A/Cond.									1	1	1		2884 221
	w/o A/Cond, V-L		1											2864 537
	w/o Radio, w/o A/Cond., L-H, L-P, L-S				1									2864 520
	w/o A/Cond., L-L				1									2864 522
	w/o Radio				1									2884 153
	BEZEL, Htr. Control, w/A/Cond.							1						2884 243
	w/A/Cond.									1	1	1		2884 293
	w/A/Cond., w/ or w/o Radio, L-H, w/A/Cond.													
	L-P, L-S				1									2277 518
	w/A/Cond., L-L				1									2864 518
	w/Rr. Air Switch, Clock and w/A/Cond.												1	2927 349
	w/Rr. Fan, Rr. Htr. Switch, Clock and w/A/Cond.												1	2927 348
	w/Rr. Htr., Defroster and Rr. Fan									1	1	1		2927 238
	SCREW, Htr. Control Bezel Mtg.								4					9423 258
1-48-88	CORE, Htr.		1	1	1									2277 535
						1	1							2521 268
								1	1	1	1	1	1	2932 831
	CORE, Rr. Htr.									1	1	1	1	2837 079
	CORE, Heater	Canada				1	1							2837 100
		Canada						1	1	1	1	1	1	2936 111
1-48-90	SEAL, Htr. Core Tube to Dash		1	1	1									2485 134
	Htr. Core to Mixed Air Door Shaft		1	1	1									2277 648
	Htr. Blower Motor Mtg. Plate							1	1	1	1	1	1	2936 126
	Htr. Defroster Door Shaft							2	2	2	2	2	2	6022 983
1-48-94	RETAINER, Htr. Core Seal to Dash		1	1	1									2485 135
	Htr. Core Tube		1	1	1									2485 135
	SCREW, Htr. Core Tube Seal Retainer Mtg.		1	1	1									9414 722
	Note: (1) Also Used On Rear Heater Motor For C & Y Models.													

TYPE LETTERS Indicates

B - Barracuda

V - Valiant
L - DartR - Belvedere
W - CoronetP - Plymouth
D - DodgeC - Chrysler
Y - Imperial

AR Indicates use as required.

Indicates parts not listed in any previous parts book.

Numerals in parentheses () refer to notes.

★ Indicates change or addition.

Printed in U.S.A.
January 1971

CODE	PART NAME	ENG. TYPE OR CU.IN.	V	B	L	R	W	P	D	C	C	C	Y	PART NUMBER
			1-2	1-2	1-2	1-2	1-2	1-2	1-2	1	2	3	1	
1-48-0 HEATER AND COMPONENTS Cont'd.														
1-48-125	HOUSING, Htr.	—	—	—	1	1	—	—	—	—	—	—	—	2837 502
	Rr. Htr.	1	1	1	—	—	—	—	—	—	—	—	—	2607 171
	HOUSING and DEFROSTER DOOR PACKAGE	—	—	—	1	1	—	—	—	—	—	—	—	2809 091
	Rr. Htr., w/A/Cond. and A.T.C.	—	—	—	—	—	1	1	1	1	1	1	1	2936 355
	Rr. Htr., w/o A.T.C. Hsg. Only	—	—	—	—	—	1	1	1	1	1	1	1	2936 239
	Housing and Clip, Htr. Blower (Eng. Side)	—	—	—	—	—	1	1	1	1	1	1	1	2936 124
	Housing, w/Bracket, Htr. (Pass. Side)	—	—	—	—	—	1	1	—	—	—	—	—	2936 073
	HOUSING w/Bracket	—	—	—	—	—	—	—	1	1	1	1	1	2936 074
1-48-126	SEAL, Htr. Housing to Plenum	—	—	—	1	1	—	—	—	—	—	—	—	2607 312
	Htr. Motor to Dash	1	1	1	—	—	—	—	—	—	—	—	—	2277 553
	GASKET, Htr. Housing Scroll Cover Mtg.	—	—	—	1	1	—	—	—	—	—	—	—	2485 478
1-48-130	COVER, Htr. Housing Scroll	—	—	—	1	1	—	—	—	—	—	—	—	2521 686
1-48-141	DUCT, Center Air Outlet, A/Cond. and Htr.	—	—	—	—	—	—	—	—	—	—	—	1	2936 320
	OUTLET, Center, A/Cond. and Htr.	—	—	—	—	—	—	—	—	—	—	—	1	2936 314
	DUCT, Defroster, A/Cond. and Htr.	—	—	—	—	—	—	—	1	1	1	1	1	2936 139
	Defroster, A/Cond. and Htr.	—	—	—	—	—	1	1	—	—	—	—	—	3441 182
	Defroster, w/o A/Cond.	—	—	—	—	—	—	—	1	1	1	1	1	2963 137
	DUCT, Center Air Outlet, A/Cond. and Htr., w/A.T.C.	—	—	—	—	—	—	—	1	1	1	—	—	2936 380
	OUTLET, Center, A/Cond. and Htr., w/A.T.C.	—	—	—	—	—	—	—	1	1	1	—	—	2936 372
	DUCT, Defroster, w/o A/Cond.	—	—	—	—	—	1	1	—	—	—	—	—	2936 136
1-48-151	TUBE, Htr. Defroster, Rt. and Lt.	—	—	—	1	1	—	—	—	—	—	—	—	2837 940
	Htr. Defroster	1	1	1	—	—	—	—	—	—	—	—	—	2837 168-9
	Rr. Htr. Defroster	—	—	—	—	—	—	—	1	1	1	1	1	2096 989
	Rr. Htr. Air Inlet	—	—	—	—	—	—	—	1	1	1	1	1	2837 087
	A/Cond. and Htr., Spotcooler Rt. Duet	—	—	—	—	—	1	1	1	1	1	1	1	2837 940
	CLIP, Htr. Defroster Tube Mtg.	—	—	—	2	2	—	—	—	—	—	—	—	6026 147
1-48-153	SEAL, Rr. Htr. Tubing to Floor	—	—	—	—	—	—	—	1	1	1	1	1	2936 536
1-48-158	GRILLE, Htr. Defroster Outlet, Blue, B-H, Cv. Cp., Fast Back	1	1	1	—	—	—	—	—	—	—	—	—	4214-5 EB7
	Green, V-H, 2 D., 4 D.	1	1	1	—	—	—	—	—	—	—	—	—	4214-5 EF8
	Red	1	1	1	—	—	—	—	—	—	—	—	—	4214-5 ER8
	Tan	—	1	1	—	—	—	—	—	—	—	—	—	4214-5 ET8
	Black	1	1	1	—	—	—	—	—	—	—	—	—	4214-5 CX9
	Gold, V-H, L-L, L-H	1	—	1	—	—	—	—	—	—	—	—	—	4214-5 EY8
	Blue, B-H, 2 D.H.T.	—	1	—	—	—	—	—	—	—	—	—	—	4214-5 EB9
	Blue	—	—	—	1	1	—	—	—	—	—	—	—	4244-5 EB7
	Green, except R-L, W-L	—	—	—	1	1	—	—	—	—	—	—	—	4244-5 EF8
	Red, R-P, R-S, W-H, W-P, W-S.	—	—	—	1	1	—	—	—	—	—	—	—	4244-5 ER8
	Tan	—	—	—	1	1	—	—	—	—	—	—	—	4244-5 ET8
	Black	—	—	—	1	1	—	—	—	—	—	—	—	4244-5 DX9
	Gold, W-P, 4 D.	—	—	—	—	1	—	—	—	—	—	—	—	4244-5 EY8
	GRILLE, Htr. Housing Vent	—	—	—	1	1	—	—	—	—	—	—	—	2607 283
	Rr. Htr. Defroster Outlet	—	—	—	—	—	—	—	1	1	1	1	1	2521 668
	Rr. Window Defogger Outlet	—	—	1	—	—	—	—	—	—	—	—	—	2219 627
1-48-179	CLIP, Htr. Rr. Housing to Frt. Housing Mtg.	1	1	1	—	—	—	—	—	—	—	—	—	2521 336
	Htr. Control Arm Pivot Pin	—	—	—	1	1	—	—	—	—	—	—	—	2820 453
1-48-240	CLIP, Rr. Window Defogger Outlet, Lower Retainer	—	1	—	—	—	—	—	—	—	—	—	—	1842 965
1-48-254	RETAINER, Rr. Htr. Water Valve Vacuum Actuator Shaft	—	—	—	—	—	—	—	1	1	1	1	1	2197 678

TYPE LETTERS Indicates

B - Barracuda

V - Valiant
L - DartR - Belvedere
W - CoronetP - Plymouth
D - DodgeC - Chrysler
Y - Imperial

AR Indicates use as required.

Indicates parts not listed in any previous parts book.

Numerals in parentheses () refer to notes.

★ Indicates change or addition.

Printed in U.S.A.
January 1971

CODE	PART NAME	ENG. TYPE OR CU.IN.	V	B	L	R	W	P	D	C	C	C	Y	PART NUMBER
			1-2	1-2	1-2	1-2	1-2	1-2	1-2	1	2	3	1	
1-48-0 HEATER AND COMPONENTS Cont'd.														
1-48-258	ACTUATOR, Rr. Htr. Door Vacuum	—	—	—	—	—	—	—	—	1	1	1	1	2277 028
	Rr. Seat Htr. Defroster Door Vacuum	—	—	—	—	—	—	—	—	1	1	1	1	2277 028
	A/Cond. and Htr., Water Valve Vacuum	1	1	1	—	—	—	—	—	—	—	—	—	2277 028
	Htr. Shut-Off Door Vacuum	—	—	—	—	—	—	—	—	1	1	1	1	2936 116
	CLIP, Rr. Htr. Vacuum Actuator Shaft Retainer	—	—	—	—	—	—	—	—	1	1	1	1	6008 145
1-48-280	CONNECTOR, Htr. Controls Rr. Htr. Vacuum Hose (tee)	—	—	—	—	—	—	—	—	1	1	1	1	1886 110
		—	—	—	—	—	—	—	—	1	1	1	1	1886 109
1-48-355	LOCKPLATE, Htr. Vent Door Fresh Air Vent Door	1	1	1	—	—	—	—	—	—	—	—	—	2277 516
		1	1	1	—	—	—	—	—	—	—	—	—	2277 516
1-48-356	SHAFT, Htr. Shut-Off and Defroster Door	—	—	—	1	1	—	—	—	—	—	—	—	2607 289
1-48-357	RETAINER, Htr. Control and Defroster, Cable to Arm	—	—	—	2	2	—	—	—	—	—	—	—	2197 678
	Htr. Shut-Off and Defroster Door to Shaft	—	—	—	1	1	—	—	—	—	—	—	—	2216 735
	Htr. Mixed Air Door Control	1	1	1	—	—	—	—	—	—	—	—	—	2197 678
	Fresh Air Door Control Cable	—	—	—	1	1	—	—	—	—	—	—	—	2197 678
1-48-358	LOCK, Htr. Vent Door	1	1	1	—	—	—	—	—	—	—	—	—	2277 515
1-48-362	SEAL, Htr. to Plenum Mtg. Fresh Air Vent Duct Mtg, Rt.	1	1	1	—	—	—	—	—	—	—	—	—	2277 669
		1	1	1	—	—	—	—	—	—	—	—	—	2277 669
1-48-365	DOOR, Htr. Shut-off w/o A/Cond. w/ACond.	1	1	1	—	—	—	—	—	—	—	—	—	2837 553
	Htr., Mixed Air	1	1	1	—	—	—	—	—	—	—	—	—	2277 518
		1	1	1	—	—	—	—	—	—	—	—	—	2485 970
1-48-374	CONTROL, Fresh Air Door w/Htr., Fresh Air Door	—	—	1	1	—	—	—	—	—	—	—	—	2932 881
	Fresh Air Door	—	—	—	—	—	—	—	—	1	1	1	1	2864 392
	CLIP, Fresh Air Vent Control Cable Mtg.	—	—	—	1	1	—	—	—	—	—	—	—	6015 143
	Fresh Air Door Rt. and Lt.	—	—	—	1	1	1	—	—	—	—	—	—	2932 881
	FRESH Air Door w/or w/o A/Cond. and A.T.C.	—	—	—	—	—	—	—	—	1	1	1	1	2864 392
	Fresh Air Door, w/A.T.C. Cover Instrument	—	—	—	—	—	—	—	—	—	—	—	—	—
	Panel Steering Column, w/A/Cond. Black	—	—	—	—	—	—	—	—	1	—	—	—	4204 EX9
	Blue, Black	—	—	—	—	—	—	—	—	1	—	—	—	4234 EBX
	Yellow Green, Black	—	—	—	—	—	—	—	—	1	—	—	—	4234 EFX
	Yellow Tan, Black	—	—	—	—	—	—	—	—	1	—	—	—	4204 ETX
	Yellow Gold, Black	—	—	—	—	—	—	—	—	1	—	—	—	4234 EYX
	CONTROL, Cover and Fresh Air Door w/o A/Cond.	—	—	—	—	—	—	—	—	1	—	—	—	4263 EBX
	Blue, Black	—	—	—	—	—	—	—	—	1	—	—	—	4263 EFX
	Yellow Green, Black	—	—	—	—	—	—	—	—	1	—	—	—	4263 ETX
	Yellow Tan, Black	—	—	—	—	—	—	—	—	1	—	—	—	4263 EYX
	Yellow Gold, Black	—	—	—	—	—	—	—	—	1	—	—	—	4263 EX9
	Black	—	—	—	—	—	—	—	—	1	—	—	—	4263 EX9
	CLIP, Fresh Air Vent Control Cable Mtg. Screw, Rod Mtg.	1	1	1	—	—	—	—	—	—	—	—	—	6015 143
		1	1	1	—	—	—	—	—	—	—	—	—	6024 010
1-48-375	ROD, Htr. to Plenum Mtg.	—	—	—	—	—	—	—	1	1	1	1	1	2936 020-1
1-48-383	HOUSING, w/DOOR, Fresh Air Vent.	—	—	—	—	—	—	—	—	—	—	—	—	2277 517
1-48-401	HANDLE, Fresh Air Vent Door Htr. Vent Door	1	1	1	—	—	—	—	—	—	—	—	—	2277 517
		1	1	1	—	—	—	—	—	—	—	—	—	2277 517
1-48-408	FRAME, Htr. Housing Vent Door	—	—	—	1	1	—	—	—	—	—	—	—	2607 290
1-48-516	WIRING, Rr. Htr. Motor Htr. Control Switch	—	—	—	—	—	—	—	—	1	1	1	1	2822 206
		—	—	—	—	—	—	—	—	1	1	1	1	2926 151

TYPE LETTERS Indicates

B - Barracuda

V - Valiant
L - Dart

R - Belvedere
W - Coronet

P - Plymouth
D - Dodge

C - Chrysler
Y - Imperial

AR Indicates use as required.

Indicates parts not listed in any previous parts book.

Numerals in parentheses () refer to notes.

★ Indicates change or addition.

Printed in U.S.A.
January 1971

1969 PASSENGER CAR PARTS CATALOG

ACCESSORIES

CODE	PART NAME	ENG. TYPE OR CU.IN.	V	B	L	R	W	P	D	C	C	C	Y	PART NUMBER
			1-2	1-2	1-2	1-2	1-2	1-2	1-2	1	2	3	1	
1-48-0 HEATER AND COMPONENTS Cont'd.														
1-48-555	HOSE, Htr., 1/2" Dia., Service by the Roll		—	—	—	—	—	AR	AR	AR	AR	AR	AR	2936 388
	5/8" Dia.		AR	AR	AR	AR	AR	—	—	—	—	—	—	1315 466
	Eng. to Core Performed		AR	AR	AR	—	—	—	—	—	—	—	—	1595 160
	Htr. Core to Pump		—	—	—	AR	AR	AR	AR	AR	AR	AR	AR	1315 466
	HOSE, Rr. Htr. Vacuum Instrument Panel		—	—	—	—	—	—	1	1	1	1	1	2884 596
	Rr. Htr. Vacuum Body		—	—	—	—	—	—	1	1	1	1	1	2884 595
	Rr. Htr. Tee to Pump		—	—	—	—	—	—	AR	AR	AR	AR	AR	1315 466
	SPACER, Htr. Hose		AR	AR	AR	—	—	—	—	—	—	—	—	1315 466
1-48-557	SLEEVE, Htr. Hose		—	—	—	—	—	—	—	—	—	—	1	2127 280
1-48-559	CLAMP, Htr. Hose to Valve Cover		—	—	—	—	—	1	—	—	—	—	—	2837 990
	Clip, Vacuum Hose Connector		—	—	—	1	1	1	1	1	1	1	1	2820 826
	BRACKET, Htr. Hose Support to Fender Shield		—	1	1	1	1	—	—	—	—	—	—	2936 390
	Htr. Hose Support		—	1	1	—	—	—	—	—	—	—	—	2837 199
	Htr. Hose Support to Altr.		1	—	1	1	1	1	1	1	1	1	1	2936 706
	Rr. Htr. Hose to Altr. Support		—	—	—	—	—	—	1	1	1	1	1	2936 706
1-48-572	NIPPLE, Eng. to Htr. Hose		1	1	1	1	1	—	—	—	—	—	—	1971 061
	Htr. Hose to Pump	8	1	1	1	1	1	1	—	—	—	—	—	1971 061
	Htr. Hose to Eng., w/A/Cond. Return		—	—	—	—	—	1	1	1	1	1	1	2936 298
	4 Tr. Hose to Pump		1	1	1	1	1	1	1	1	1	1	1	1779 257
			—	—	—	1	1	1	1	1	1	1	1	2936 757
1-48-573	SHIELD, Htr. Hose, w/A/Cond.		—	—	—	1	1	—	—	—	—	—	—	2951 014
1-48-599	MOTOR, Htr. Blower		—	—	—	1	1	—	—	—	—	—	—	2837 820
			1	1	1	—	—	—	—	—	—	—	—	2837 678
	Rr. Htr. Blower		—	—	—	—	—	1	1	1	1	1	1	2932 827
	J/NUT, Htr. Blower Motor Mtg.		—	—	—	—	—	—	1	1	1	1	1	2837 678
1-48-606	TUBE, Htr. Blower Motor Vent		—	—	—	1	1	—	—	—	—	—	—	6027 473
			—	—	—	1	1	—	—	—	—	—	—	2607 285
1-48-608	GASKET, Htr. Blower Motor Mtg.		—	—	—	1	1	1	1	1	1	1	1	2936 127
1-48-611	PLATE and GASKET, Htr. Motor Mtg.		1	1	1	—	—	—	—	—	—	—	—	2485 429
	PLATE, Rr. Htr. Blower Motor and Wheel		—	—	—	—	—	—	1	1	1	1	1	2607 645
	Htr. Blower Motor Mtg.		—	—	—	—	—	1	1	1	1	1	1	2936 131
	NUT w/WASHER, Htr. to Dash Mtg.		4	4	4	—	—	—	—	—	—	—	—	6025 004
1-48-707	DUCT and DOOR, Fresh Air Vent, Rt. Lt.		1	1	1	—	—	—	—	—	—	—	—	2277 770
	DUCT and Frt. HOUSING, Htr. Distribution		1	1	1	—	—	—	—	—	—	—	—	2607 807
	DUCT, Rr. Seat Htr., Underseat		—	—	—	—	—	—	1	1	1	1	1	2837 551
	Rr. Seat Htr. Tee		—	—	—	—	—	—	1	1	1	1	1	2936 523-4
	Rr. Seat Htr. Distribution		—	—	—	—	—	—	1	1	1	1	1	2936 522
	DUCT, Htr. Air Distribution		—	—	—	—	—	—	1	1	1	1	1	2936 519
1-48-709	CLIP, Under Seat Duct		—	—	—	—	—	—	1	1	1	1	1	2936 119
1-48-770	SWITCH, Htr. Control Blower		—	—	—	—	—	—	2	2	2	2	2	2521 729
	Rr. Htr. Blower		—	—	—	—	—	1	—	—	—	—	—	2884 094
	Htr. Control Blower		—	—	—	—	—	—	1	1	1	—	—	2864 440
	Rr. Htr. Vacuum, 3 Positions		—	—	—	—	—	—	1	—	—	—	—	2884 201
	Htr. Push Button Control		—	—	—	—	—	—	1	1	1	—	—	2864 442
	A/Cond. and Htr. Control Blower		—	—	—	—	—	—	1	1	1	—	—	2497 387
	A/Cond. and Htr. Control Blower		—	—	—	—	—	—	1	1	1	—	—	2884 300
	Rr. Window Defogger		—	—	—	—	—	1	—	—	—	—	—	2884 338
	A/Cond. and Htr. Control Blower		—	—	—	—	—	—	1	—	—	—	—	2864 440
	Htr. Fan Control		—	—	—	—	—	—	1	—	—	—	—	2884 258
	Rr. Htr. Vacuum, 3 Positions		—	—	—	1	1	—	—	—	—	—	—	2864 806
	Rr. Htr. Blower		—	—	—	—	—	—	—	—	—	—	1	2947 260
	Htr. Blower, 4 Positions		—	—	—	—	—	—	—	—	—	—	1	2947 258
	Htr. Temp. Control Blower		1	1	1	—	—	—	1	1	1	1	1	2884 242
			—	—	—	—	—	—	—	—	—	—	—	2864 591

NOTE: For Switch Not Listed See P.T.C. 24-24-5

TYPE LETTERS Indicates

B - Barracuda

V - Valiant
L - Dart

R - Belvedere
W - Coronet

P - Plymouth
D - Dodge

C - Chrysler
Y - Imperial

AR Indicates use as required.

Indicates parts not listed in any previous parts book.

Numerals in parentheses () refer to notes.

★ Indicates change or addition.

Printed in U.S.A.
January 1971

CODE	PART NAME	ENG. TYPE OR CU.IN.	V	B	L	R	W	P	D	C	C	C	Y	PART NUMBER
			1-2	1-2	1-2	1-2	1-2	1-2	1	2	3	1		
1-48-0 HEATER AND COMPONENTS Cont'd.														
1-48-783	INSULATOR, Wiring Terminal							AR	AR	AR	AR	AR		2497 481
1-48-832	RESISTOR, Htr. Blower Motor		1	1	1									2521 409
						1	1							2607 302
								1	1					2936 103
										1	1	1	1	2936 106
1-48-854	BRACKET, A/Cond. and Htr. Water Valve		1	1	1									2607 603
	VALVE, Rr. Htr. Water, w/A.T.C.									1	1	1	1	2936 517
1-48-867	ADAPTER PLATE and Weld SCREW, Htr. Control		1											2864 592
	Htr., Control			1										2864 593
1-48-940	PLATE and ARM, A/Cond. and Htr. Control Vacuum									1	1	1		2884 291
	Htr. Control Mtg.									1	1	1		2884 361
1-48-941	CONTROL CABLE and HOUSING PACKAGE, Fresh Air Door				1	1	1							2932 881
	Fresh Air Door Rt. and Lt.		1	1	1									2809 041
	CABLE, w/INSULATOR, Temp. Control													
	CABLE, Htr. Defroster and Air Shut-Off Door		1	1	1	1	1	1						2809 041
	Htr. Temp. Control		1	1	1	1	1							2809 041
	Htr. Temp. Control Secondary							1		1	1	1	1	2809 041
	CABLE, w/HOUSING, Htr. Temp. Control								1					2884 430
	Htr. Defroster Control, Type I								1					2884 568
	Htr. Control Temp. Primary							1	1	1	1	1	1	2809 041
	CABLE, Eng. to Body Ground				1	1	1	1	1	1	1	1	1	2808 966
	Clip, Cable to Mtg.		AR	AR	AR	AR	AR	AR	AR	AR	AR	AR	AR	6015 143
1-48-942	KNOB, Heater Control							1						2884 413
	Htr. Temp. Control, w/o A/Cond.									1	1	1	1	2884 418
	KNOB and SPRING, A/Cond. and Htr. Control								2					2884 413
	KNOB and SET SCREW, Htr. Temp. Control		1	1	1									2864 740
	Htr. Defroster and Air Shut-Off Door Control		1	1	1									2864 740
1-48-945	PLATE LEVER CAMS, w/Detent								1					2884 326
	SPRING, Htr. Control Mtg.								1					2884 669
	PLATE, Htr. Control Mtg.													
1-48-950	RETAINER, Htr. Shut-Off Door													
	RETAINER, Htr. Shut-Off Door Control Cable		1	1	1	1	1	AR	AR	AR	AR	AR	AR	2197 678
	DEFROSTER Door Control Cable		1	1	1	AR	AR	AR	AR	AR	AR	AR	AR	2197 678
1-63-0 FLOOR MATS														
1-63-1	CARPET PROTECTOR SET, Mats and Container													
	Blue		1	1	1									9453 EB9
	Green		1	1	1									9453 EF9
	Red		1	1	1									9453 ER6
	Tan		1	1	1									9453 ET8
	Black		1	1	1									9453 EX9
	Gold		1		1									9453 EY8
	MAT, CARPET PROTECTOR													
	Frnt.													
	Blue		AR	AR	AR									1620-1 EB9
	Yellow Green		AR	AR	AR									1620-1 EF9
	Red		AR	AR	AR									1620-1 ER6
	Tan		AR	AR	AR									1620-1 ET8
	Black		AR	AR	AR									1620-1 EX9
	Yellow Gold		AR		AR									1620-1 EY8

TYPE LETTERS Indicates B - Barracuda V - Valiant L - Dart R - Belvedere W - Coronet P - Plymouth D - Dodge C - Chrysler Y - Imperial

AR Indicates use as required. Numerals in parentheses () refer to notes. Printed in U.S.A. January 1971
 # Indicates parts not listed in any previous parts book. ★ Indicates change or addition.

CODE	PART NAME	ENG. TYPE OR CU.IN.	V	B	L	R	W	P	D	C	C	C	Y	PART NUMBER
			1-2	1-2	1-2	1-2	1-2	1-2	1-2	1	2	3	1	
1-63-0 FLOOR MATS Cont'd.														
1-63-1	CARPET PROTECTOR SET Cont'd.													
	MAT, Carpet Protector Frt, Rt.													
	Blue		—	—	—	AR	AR	—	—	—	—	—	—	1620 EB9
	Yellow Green		—	—	—	AR	AR	—	—	—	—	—	—	1620 EF9
	Red		—	—	—	AR	AR	—	—	—	—	—	—	1620 ER6
	Tan		—	—	—	AR	AR	—	—	—	—	—	—	1620 ET8
	Black		—	—	—	AR	AR	—	—	—	—	—	—	1620 EX9
	Yellow Gold		—	—	—	—	AR	—	—	—	—	—	—	1620 EY8
	MAT, Carpet Protector Frt, Lt.													
	Blue		—	—	—	AR	AR	—	—	—	—	—	—	1625 EB9
	Yellow Green		—	—	—	AR	AR	—	—	—	—	—	—	1625 EF9
	Red		—	—	—	AR	AR	—	—	—	—	—	—	1625 ER6
	Tan		—	—	—	AR	AR	—	—	—	—	—	—	1625 ET8
	Black		—	—	—	AR	AR	—	—	—	—	—	—	1625 EX9
	Yellow Gold		—	—	—	—	AR	—	—	—	—	—	—	1625 EY8
	MAT, Carpet Protector													
	Rt.													
	Blue		2	2	2	2	2	—	—	—	—	—	—	1624 EB9
	Yellow Green		2	2	2	2	2	—	—	—	—	—	—	1624 EF9
	Red		2	2	2	2	2	—	—	—	—	—	—	1624 ER6
	Tan		2	2	2	2	2	—	—	—	—	—	—	1624 ET8
	Black		2	2	2	2	2	—	—	—	—	—	—	1624 EX9
	Yellow Gold		2	—	2	—	2	—	—	—	—	—	—	1624 EY8
	MAT, Carpet Protector Frt.													
	Blue		—	—	—	—	—	1	1	1	1	1	1	1622-3 EB9
	Yellow Green		—	—	—	—	—	1	1	1	1	1	1	1622-3 EF9
	Red		—	—	—	—	—	1	—	—	—	—	1	1622-3 ER6
	Tan		—	—	—	—	—	1	1	1	1	1	1	1622-3 ET9
	Black		—	—	—	—	—	1	1	1	1	1	1	1622-3 EX9
	Yellow Gold		—	—	—	—	—	1	1	1	1	1	1	1622-3 EY8
	Briar		—	—	—	—	—	1	1	1	—	—	—	1622-3 EE9
	Turquoise		—	—	—	—	—	—	1	1	1	1	1	1622-3 EQ8
	Maroon		—	—	—	—	—	—	—	—	—	—	1	1622-3 EM9
	MAT, Carpet Protector													
	Rear													
	Blue		—	—	—	—	—	2	2	2	2	2	2	1626 EB9
	Yellow Green		—	—	—	—	—	2	2	2	2	2	2	1626 EF9
	Red		—	—	—	—	—	2	—	—	—	—	2	1626 ER6
	Tan		—	—	—	—	—	2	2	2	2	2	2	1626 ET9
	Black		—	—	—	—	2	2	2	2	2	—	—	1626 EX9
	Yellow Gold		—	—	—	—	—	2	2	2	2	2	2	1626 EY8
	Briar		—	—	—	—	—	—	2	2	2	—	—	1626 EE9
	Turquoise		—	—	—	—	—	—	2	2	2	2	2	1626 EQ8
	Maroon		—	—	—	—	—	—	—	—	—	—	2	1626 EM9
1-67-0 SAFETY SEAT BELT														
1-67-1	BELT PACKAGE, Rr. Seat Shoulder,													
	BLACK		—	—	—	—	—	1	1	1	1	1	—	4604 EX9
	BLACK, Sta. Wgn. Only		—	—	—	1	1	—	—	—	—	—	—	4600 EX9
	BLACK, B, Fast Back		—	2	—	—	—	—	—	—	—	—	—	4792 EX9
	Black, 2 D., 2 D.H.T., 4 D.		1	1	1	—	—	—	—	—	—	—	—	4780 DX9
	Black, 2 D., 2 D.H.T., Fast Back or 4 D.		—	—	—	1	1	—	—	—	—	—	—	4780 DX9
	BELT, Rr. Seat Lap, 2 D., 2 D.H.T., Cv. Cp., Fast Back, 4 D.,													
	Blue		2	2	2	3	3	3	3	3	3	3	3	4751 EB9
	Green, V-H		2	2	2	3	3	3	3	3	3	3	3	4751 EF8
	Champagne		2	2	2	3	3	3	3	3	3	3	3	4751 EL4
	Red		2	2	2	3	3	3	3	3	3	3	3	4751 ER6
	Black		2	2	2	3	3	3	3	3	3	3	3	4751 DX9

TYPE LETTERS Indicates

B - Barracuda

V - Valiant
L - DartR - Belvedere
W - CoronetP - Plymouth
D - DodgeC - Chrysler
Y - Imperial

AR Indicates use as required.

Indicates parts not listed in any previous parts book.

Numerals in parentheses () refer to notes.

★ Indicates change or addition.

Printed in U.S.A.
January 1971

CODE	PART NAME	ENG. TYPE OR CU.IN.	V	B	L	R	W	P	D	C	C	C	Y	PART NUMBER
			1-2	1-2	1-2	1-2	1-2	1-2	1-2	1	2	3	1	
1-67-0 SAFETY SEAT BELT Cont'd.														
1-67-1	BELT PACKAGE Cont'd.													
	BELT, Frt. Seat Shoulder,					1	1							4784 EB9
	Blue, 2 D., 2 D.H.T., Fast Back					1	1							4784 EF8
	Green, 2 D., 2 D.H.T.,					1	1							4784 EL4
	Fast Back					1	1							4784 ER6
	Champagne 2 D., 2 D.H.T.					1	1							4784 EX9
	Fast Back					1	1							4786 EB9
	Red, R-P, R-S, 2 D.H.T., W-M,					1	1							4786 EF8
	W-P, W-S					1	1							4786 EL4
	Black					1	1							4786 EX9
	Blue, 4 D., Sta. Wgn.					1	1							4786 EX9
	Green, 4 d., Sta. Wgn.					1	1							4771 DX9
	Champagne, 4 D., Sta. Wgn.					1	1							
	Black, 4 D., Sta. Wgn.					1	1							
	Black, Cv. Cp.					1	1							
	Belt, Frt. Seat Shoulder, 2 D.,													
	2 D.H.T., 4 D., Fast Back													
	Blue	2	2	2	2	2	2							4784 EB9
	Green	2	2	2	2	2	2							4784 EF8
	Champagne	2	2	2	2	2	2							4784 EL4
	Red	2	2	2	2	2	2							4784 ER6
	Black	2	2	2										4784 EX9
	Black, Cv. Cp.		2	2										4771 DX9
	Black				2	2								4784 DX9
	BELT, Frt. Seat Shoulder 2 D.H.T.													
	P,D, 2 D.H.T. 4 D.H.T. C,Y													
	Blue						2	2						4617 EB9
	Yellow Green						2	2	2	2	2	2	2	4617 EF8
	Champagne						2	2	2	2	2	2	2	4617 EL4
	Red						2						2	4617 ER6
	Black						2	2	2	2	2	2	2	4617 EX9
	Briar								2	2	2	2		4617 EE9
	Turquoise								2		2	2		4617 EQ4
	Maroon												2	4617 EM9
	BELT, Frt. Seat Shoulder 2 D.,													
	4 D.H.T., P, 4 D.H.T. D.													
	Blue						2	2						4616 EB9
	Green						2	2						4616 EF8
	Champagne						2	2						4616 EL4
	Red						2							4616 ER6
	Black						2	2						4616 EX9
	BELT, Frt. Seat Shoulder 4 D.,													
	Sta. Wgn. P, D. Sta Wgn. C.													
	Blue						2	2		2				4615 EB9
	Green						2	2		2				4615 EF8
	Champagne						2	2		2				4615 EL4
	Red						2							4615 ER6
	Black						2	2		2				4615 EX9
	BELT, Frt. Seat Shoulder 4 D.													
	Blue								2		2	2		4614 EB9
	Green								2		2			4614 EF8
	Champagne								2		2			4614 EL4
	Briar											2		4614 EM9
	Black								2		2	2		4614 EX9
	Turquoise								2		2	2		4614 EQ4
	BELT, Frt. Seat Shoulder B-4 Fast Back													
	Blue		2											4789 EB9
	Green		3											4789 EF8
	Champagne		2											4789 EL4

TYPE LETTERS Indicates B - Barracuda V - Valiant R - Belvedere P - Plymouth C - Chrysler
L - Dart W - Coronet D - Dodge Y - Imperial

AR Indicates use as required.
Indicates parts not listed in any previous parts book.

Numerals in parentheses () refer to notes.
★ Indicates change or addition.

Printed in U.S.A.
January 1971

1969 PASSENGER CAR PARTS CATALOG

ACCESSORIES

CODE	PART NAME	ENG. TYPE OR CU.IN.	V	B	L	R	W	P	D	C	C	C	Y	PART NUMBER
			1-2	1-2	1-2	1-2	1-2	1-2	1-2	1	2	3	1	
1-67-0 SAFETY SEAT BELT Cont'd.														
1-67-1	BELT PACKAGE Cont'd.													
		Red	—	2	—	—	—	—	—	—	—	—	—	4789 ER6
		Black	—	2	—	—	—	—	—	—	—	—	—	4789 DX9
	BELT, Frt. Seat Shoulder 4 D., Sta. Wgn.													
		Blue	—	—	—	2	2	—	—	—	—	—	—	4786 EB9
		Green	—	—	—	2	2	—	—	—	—	—	—	4786 EF8
		Champagne	—	—	—	2	2	—	—	—	—	—	—	4786 EL4
		Black	—	—	—	2	2	—	—	—	—	—	—	4786 DX9
	BELT, Frt. Seat Center Lap,													
		Blue	2	2	2	2	2	2	2	2	2	2	2	4766 EB9
		Green	2	2	2	2	2	2	2	2	2	2	2	4766 EF8
		Champagne	2	2	2	2	2	2	2	2	2	2	2	4766 EL4
		Red	2	2	2	2	2	2	—	—	—	2	—	4766 ER6
		Black	2	2	2	2	2	2	2	2	2	2	2	4766 DX9
		Turquoise	—	—	—	—	—	—	—	2	—	2	2	4766 EQ4
		Briar	—	—	—	—	—	—	—	2	2	2	—	4766 EE9
	BELT, Frt. Seat Lap and Shoulder,													
		Blue	2	2	2	2	2	—	—	—	—	—	—	4759 EB9
		Green	2	2	2	2	2	—	—	—	—	—	—	4759 EF8
		Champagne	2	2	2	2	2	—	—	—	—	—	—	4759 EL4
		Red	2	2	2	2	2	—	—	—	—	—	—	4759 ER8
		Black	2	2	2	2	2	—	—	—	—	—	—	4759 DX9
	BELT, Rr. and 2nd. Seat Lap also Center,													
		Blue	2	2	2	2	2	—	—	—	—	—	—	4751 EB9
		Green	2	2	2	2	2	—	—	—	—	—	—	4751 EF8
		Champagne	2	2	2	2	2	—	—	—	—	—	—	4751 EL4
		Red	2	2	2	2	2	—	—	—	—	—	—	4751 ER6
		Black	2	2	2	2	2	—	—	—	—	—	—	4751 DX9
		Briar	—	—	—	—	—	—	—	3	3	3	—	4751 EE9
	BELT, 3rd. Seat Lap and Rear Seat Lap													
		Blue	—	—	—	—	—	2	2	3	3	2	3	4751 EB9
		Green	—	—	—	—	—	2	2	3	3	2	3	4751 EF8
		Champagne	—	—	—	—	—	2	2	3	3	2	3	4751 EL4
		Red	—	—	—	—	—	2	—	3	3	3	3	4751 ER6
		Black	—	—	—	—	—	2	2	3	3	2	3	4751 DX9
		Turquoise	—	—	—	—	—	—	—	3	3	3	—	4751 EQ4
		Maroon	—	—	—	—	—	—	—	—	—	—	3	4751 EM9
1-67-3	REINFORCEMENT, Frt. Floor Pan													
	Seat Belt, Inner, 2 D., 4 D.		2	—	—	—	—	—	—	—	—	—	—	2483 098
	2 D.H.T., Cv. Cp., Fast Back		—	2	2	—	—	—	—	—	—	—	—	2483 098
	All		—	—	—	2	2	2	2	2	2	2	2	2483 098
	REINFORCEMENT, w/NUT, Center													
	Floor Pan Rr.													
	Seat Belt, Inner		2	2	2	—	—	—	—	—	—	—	—	2839 001
	Seat Belt, Outer		2	2	2	2	2	2	2	2	2	2	2	2841 800
1-67-3	REINFORCEMENT, Inner Seat Belt Outer		2	2	2	2	2	—	—	—	—	—	—	2483 102
	REINFORCEMENT, w/NUT, W/Housing													
	Inner Panel Shoulder Belt, Sta. Wgn.		—	—	—	—	2	2	—	—	—	—	—	2782 818
	REINFORCEMENT and ROD, Rr.													
	Seat Shoulder Belt		—	—	—	—	—	2	2	2	2	2	2	2999 102
	REINFORCEMENT, w/NUT, 3rd Seat													
	Lap Belt Floor Pan		—	—	—	2	2	4	4	—	—	—	—	2862 441
	Sta. Wgn., C-P		—	—	—	—	—	—	—	4	—	—	—	2862 441
	REINFORCEMENT, Shelf Panel Rr.													
	Shoulder Belt		2	2	2	—	—	—	—	—	—	—	—	2999 030
1-67-5	PLUG, Seat Belt Retractor Cover Hole		—	—	—	—	—	2	2	2	2	2	2	1605 EX9

TYPE LETTERS Indicates

B - Barracuda

V - Valiant
L - DartR - Belvedere
W - CoronetP - Plymouth
D - DodgeC - Chrysler
Y - Imperial

AR Indicates use as required.

Indicates parts not listed in any previous parts book.

Numerals in parentheses () refer to notes.

★ Indicates change or addition.

Printed in U.S.A.
January 1971

CODE	PART NAME	ENG. TYPE OR CU.IN.	V	B	L	R	W	P	D	C	C	C	Y	PART NUMBER
			1-2	1-2	1-2	1-2	1-2	1-2	1-2	1	2	3	1	
1-67-0 SAFETY SEAT BELT Cont'd.														
1-67-12	SPACER, Frt. Seat Shoulder Belt Swivel Plate, Cv. Cp.		—	2	2	2	2	—	—	—	—	—	—	2802 564
	Rr. Seat Lap Belt to Floor, Cv. Cp. Bracket, Upper Panel Shoulder Harness Fastener		—	2	2	2	2	2	2	2	2	2	—	2802 564
1-67-16	BRACKET, Upper Panel Shoulder Harness Fastener, 2 D.H.T.		—	2	—	—	—	—	—	—	—	—	—	2842 810
	BRACKET, Roof Side Rail Shoulder Harness Fastener, 4 D.		—	—	—	—	2	2	—	—	—	—	—	2842 808
	BRACKET, Rr. Seat Lap Belt Stowage, Blue		1	1	1	1	1	1	1	1	1	1	1	4753 EB9
	Green		1	1	1	1	1	1	1	1	1	1	1	4753 EF8
	Champagne		1	1	1	1	1	1	1	1	1	1	1	4753 EL4
	Black		1	1	1	1	1	1	1	1	1	1	1	4753 EX9
	Red		1	1	1	—	1	1	—	—	—	1	—	4753 ER6
	Turquoise		—	—	—	1	—	—	—	1	1	1	1	4753 EQ4
1-67-25	BEZEL, Rr. Seat Shoulder Belt Anchor Bolt		2	2	2	2	2	2	2	2	2	2	2	2862 791
	BEZEL, Frt. Seat Lap Belt Rr. Floor Cover, Blue		—	—	—	—	2	2	2	2	2	2	2	4605 EB9
	Green		—	—	—	—	—	2	2	2	2	2	2	4605 EF8
	Red		—	—	—	—	—	2	—	—	—	—	—	4605 ER6
	Tan (Dark)		—	—	—	—	—	2	2	2	2	2	—	4605 ET8
	Black		—	—	—	—	—	2	2	2	2	2	2	4605 EX9
	Gold (Light)		—	—	—	—	—	—	2	2	2	2	—	4605 EY4
	Turquoise		—	—	—	—	—	—	—	2	2	2	2	4605 EQ4
	Yellow Gold (Dark)		—	—	—	—	—	—	—	2	2	2	—	4605 EY8
	Yellow Tan (Light)		—	—	—	—	—	—	—	—	—	—	2	4605 ET1
	BEZEL, Frt. Seat Lap Belt Center Pillar, Gray		—	—	—	—	—	2	—	—	—	—	—	4605 EA4
	Blue (Light)		—	—	—	—	—	—	2	—	—	—	2	4605 EB3
	Blue (Dark)		—	—	—	—	—	—	2	2	—	—	—	4605 EB7
	Green (Light)		—	—	—	—	—	—	2	2	—	—	—	4605 EF3
	Green (Dark)		—	—	—	—	—	—	2	2	2	2	2	4605 EF8
	Red		—	—	—	—	—	—	2	—	—	—	2	4605 ER6
	Tan		—	—	—	—	—	—	2	2	2	2	—	4605 ET4
	White		—	—	—	—	—	—	—	2	2	—	2	4605 EW1
	Black		—	—	—	—	—	—	2	2	2	2	2	4605 EX9
	Yellow Gold		—	—	—	—	—	—	—	2	2	2	2	4605 EY4
1-67-27	GROMMET, Rr. Seat Shoulder Belt Shelf Panel		2	2	2	2	2	2	2	2	2	2	2	2999 033
	Rr. Seat Shoulder Belt Shroud		1	1	1	1	1	1	1	1	1	1	1	2862 565
1-67-30	COVER, Frt. Seat Shoulder Belt Swivel Plate, Blue		—	2	2	2	2	2	2	2	2	2	2	4757 EB9
	Green		—	2	2	2	2	2	2	2	2	2	2	4757 EF8
	Champagne		—	2	2	2	2	2	2	2	2	2	2	4757 EL4
	Red		—	2	2	2	2	2	—	—	—	—	2	4757 ER6
	Black		—	2	2	2	2	2	2	2	2	2	2	4757 DX9
	Maroon		—	—	—	—	—	—	—	—	—	—	2	4757 EM9
	Turquoise		—	—	—	—	—	—	—	2	2	2	2	4757 EQ4
	COVER, Frt. Seat Lap Belt Tunnel Anchor Bolt, Blue		2	2	2	2	2	2	2	2	2	2	2	4619 EB9
	Green		2	2	2	2	2	2	2	2	2	2	2	4619 EF8
	Champagne		2	2	2	2	2	2	2	2	2	2	2	4619 EL4
	Red		2	2	2	2	2	2	—	—	—	—	2	4619 ER6

TYPE LETTERS Indicates

B - Barracuda

V - Valiant
L - Dart

R - Belvedere
W - Coronet

P - Plymouth
D - Dodge

C - Chrysler
Y - Imperial

AR Indicates use as required.

Indicates parts not listed in any previous parts book.

Numerals in parentheses () refer to notes.

★ Indicates change or addition.

Printed in U.S.A.
January 1971

CODE	PART NAME	ENG. TYPE OR CU.IN.	V	B	L	R	W	P	D	C	C	C	Y	PART NUMBER
			1-2	1-2	1-2	1-2	1-2	1-2	1-2	1	2	3	1	
1-67-0 SAFETY SEAT BELT Cont'd.														
1-67-30	COVER Cont'd.													
	Black		2	2	2	2	2	2	2	2	2	2	2	4619 DX9
	Turquoise		—	—	—	—	—	—	—	2	2	2	2	4619 EQ4
	Maroon		—	—	—	—	—	—	—	—	—	—	2	4619 EM9
	Briar		—	—	—	—	—	—	—	2	2	2	—	4619 EE9
1-70-0 LICENSE PLATE FRAME														
1-70-1	LICENSE FRAME ATTACHING PARTS PACKAGE													
	Consists of: Envelope, Frame and Clip		AR	AR	AR	AR	AR	AR	AR	AR	AR	AR	AR	2768 643
1-74-0 LUGGAGE RACK, ROOF														
1-74-1	ROOF LUGGAGE RACK PACKAGE, DECK LID Luggage Rack Package BH 2 Dr. H.T. Cv. CPE w-PW-S Fast Back		—	1	—	—	1	—	—	—	—	—	—	3419 382
	Sta. Wgn.		—	—	—	1	1	—	—	—	—	—	—	2860 862
	Sta. Wgn.		—	—	—	—	—	1	1	—	1	—	—	2933 973
1-74-2	LUGGAGE RACK COVER and Hold-Down Package		—	—	—	—	—	1	1	—	—	1	—	3419 323
	42.63" x 45.50" x 14"													
1-82-0 WINDSHIELD WASHER														
1-82-2	TAILGATE WINDSHIELD WASHER PACKAGE													
	Sta. Wgn.		—	—	—	1	1	—	—	—	—	—	—	2889 824
	Sta. Wgn.		—	—	—	—	—	1	1	—	1	—	—	2822 283
1-82-12	TAILGATE Washer Switch Mtg. Bezel Package		—	—	—	1	1	—	—	—	—	—	—	2932 978
1-87-0 RADIO														
1-87-1	RADIO PACKAGE, Model 399, AM, FM		1	—	—	—	—	—	—	—	—	—	—	2884 056
	Model 245, AM (T/Wheel Type)		1	—	—	—	—	—	—	—	—	—	—	2884 051
	Model 244, AM(T/Wheel Type)		—	1	—	—	—	—	—	—	—	—	—	2884 055
	Model 398, AM, FM		—	1	—	—	—	—	—	—	—	—	—	2884 055
	Model 248, AM		—	—	1	—	—	—	—	—	—	—	—	2884 058
	Model 389, AM Deluxe, W-P, W-S, Fast Back		—	—	—	—	1	—	—	—	—	—	—	2884 064
	AM, FM		—	—	—	1	1	—	—	—	—	—	—	2884 635
	AM		—	—	—	1	1	—	—	—	—	—	—	2884 634
	AM Radio, w/Stereo Tape		—	—	—	1	1	—	—	—	—	—	—	2884 636
	AM Radio		—	—	—	—	—	1	—	—	—	—	—	2884 600
	AM Radio, w/Stereo Tape Player		—	—	—	—	—	1	—	—	—	—	—	2884 591
	AM Radio		—	—	—	—	—	—	1	—	—	—	—	2884 602
	AM Radio Deluxe		—	—	—	—	—	—	1	—	—	—	—	2884 603
	AM Radio, w/Stereo Tape Player		—	—	—	—	—	—	1	—	—	—	—	2884 592
	AM Radio		—	—	—	—	—	—	—	1	1	1	—	2884 605
	AM Radio, w/Stereo Tape Player		—	—	—	—	—	—	—	1	1	1	—	2884 593
	AM, FM, Search Tune Radio		—	—	—	—	—	—	1	1	1	—	—	2884 606
	AM, FM, Multiplex Radio, w/Tape		—	—	—	—	—	—	—	1	1	1	—	2884 607
	AM, FM, Radio		—	—	—	—	—	1	—	—	—	—	—	3420 558
	AM, FM Multiplex w/Push Button and T/Wheel		—	—	—	—	—	—	1	—	—	—	—	2884 765
			—	—	—	—	—	—	—	1	—	—	—	2884 766
	AM, FM, Radio		—	—	—	—	—	—	—	—	1	—	—	3420 559
	AM, FM, Radio		—	—	—	—	—	—	—	—	1	1	1	3420 560
	AM, FM, Stereo Mupltiplex		—	—	—	—	—	—	—	—	—	—	1	2884 844
	AM, FM, Search Tune		—	—	—	—	—	—	—	—	—	—	1	2884 847
	AM, Search Tune		—	—	—	—	—	—	—	—	—	—	1	2884 848

TYPE LETTERS Indicates

B - Barracuda

V - Valiant
L - DartR - Belvedere
W - CoronetP - Plymouth
D - DodgeC - Chrysler
Y - Imperial

AR Indicates use as required.

Indicates parts not listed in any previous parts book.

Numerals in parentheses () refer to notes.

★ Indicates change or addition.

Printed in U.S.A.

January 1971

CODE	PART NAME	ENG. TYPE OR CU.IN.	V	B	L	R	W	P	D	C	C	C	Y	PART NUMBER
			1-2	1-2	1-2	1-2	1-2	1-2	1-2	1	2	3	1	
1-87-0 RADIO Cont'd.														
1-87-22	BEZEL Cont'd.													
	Rr. Compartment Speaker, W-P, W-S, Fast Back						1							2837 219
	Rr. Speaker Opening, 2 D.H.T., 4 D., 4 D.H.T.									1	1	1		2947 142
	Rr. Compartment Speaker Fader Control Mtg.		1	1				1	1					2426 942
	Rr. Compartment Speaker Control, 2 D., 2 D.H.T., 4 D.					1	1							2580 361
	PLATE, Instrument Panel Finish Center, w/Radio, W-M						1							2947 929
	BEZEL, Instrument Panel Trim w/o Rr. Speaker								1					2884 110
	w/Radio, W-P, W-S, Fast Back						1							2927 929
	W-S, 2 D.H.T., Cv. Cp., w/Radio						1							2927 929
	R-P, R-S, w/Radio, W-P, W-S, except Fast Back					1	1							2984 075
	PLATE, Instrument Panel Finish Center w/AM Radio w/Stereo Player													
		Blue				1	1							4519 EB7
		Yellow Green				1	1							4519 EF8
		Black				1	1							4519 EX9
	w/o AM Radio w/Stereo Player													
		Blue				1	1							4518 EB7
		Yellow Green				1	1							4518 EF8
		Tan				1	1							4518 ET8
		Black				1	1							4518 DX9
	TRIM PLATE, V-H, w/Radio		1											2884 640
	NOTE: See Part Type Code 23-33-135 for additional Instrument Panel Finish Plates.													
	t/BEZEL, w/Radio & Rr. Speaker								1					2884 424
	BEZEL, Instrument Panel Trim, w/Radio, Htr., A/Cond. and A.T.C. Opening								1					2884 115
	w/AM Radio, w/Stereo Tape Player, w/o Rr. Seat Speaker								1					2884 471
	w/AM Radio, w/Stereo Tape Player, w/Rr. Seat Speaker								1					2884 425
	w/o A/Cond. and Htr. with or w/o Radio, L-H, L-P, L-S				1									2864 519
	w/Radio, V-L		1											2864 534
	w/Radio, L-L				1									2864 525
	Radio and Htr. Control, L-H, L-P, L-S				1									2864 514
	APPLIQUE, Instrument Panel Finish Plate Center,													
	w/Radio, Fast Back						1							2927 979
	w/Tape Player, Fast Back						1							2927 980
	RADIO Bezel Applique with AM or FM Radio								1					2884 901
	With out Radio								1					2884 903
	w/AM or AM/FM Radio and Rear Speaker								1					2884 905
	w/AM or AM/FM Radio and Tape Player w/Rear Speaker								1					2884 907
	w/AM or AM/FM and Tape Player w/out Rear Speaker								1					2884 909
1-87-23	MEDALLION, Rr. Seat Speaker Grille, D-L, D-M, Cv. Cp.								1					2767 510
	Y-M, 2 D.H.T.												1	2401 231

TYPE LETTERS Indicates

B - Barracuda

V - Valiant
L - Dart

R - Belvedere
W - Coronet

P - Plymouth
D - Dodge

C - Chrysler
Y - Imperial

AR Indicates use as required.

Indicates parts not listed in any previous parts book.

Numerals in parentheses () refer to notes.

★ Indicates change or addition.

Printed in U.S.A.

January 1971

CODE	PART NAME	ENG. TYPE OR CU.IN.	V	B	L	R	W	P	D	C	C	C	Y	PART NUMBER
			1-2	1-2	1-2	1-2	1-2	1-2	1-2	1	2	3	1	
1-87-0	RADIO Cont'd.													
1-87-25	BRACKET, Rr. Seat Speaker Grille Mtg.		—	—	—	—	—	—	—	—	—	—	2	2942 333
1-87-30	PLATE, Instrument Panel Speaker Mtg. INSTRUMENT Panel Stereo Speaker and Grille Mtg.		1	1	1	—	—	—	—	—	—	—	—	2770 342
	Rr. Seat Speaker and Grille Mtg. P-M, P-H, D-L, D-M, C-E, C-M, all Cv. Cp.		—	—	—	—	—	—	1	—	—	—	—	2884 267
1-87-51	SHAFT, Channel Selector Auto. Ejector, w/AM, FM, Multiplex Radio		—	—	—	—	—	—	—	1	1	1	1	2767 508
	w/AM Radio, w/Stereo Player		—	—	—	—	—	1	1	—	—	—	—	2884 497
1-87-57	REVERBERATOR and Control Package Speaker and Fader Package, Rr. Speaker and Fader Package, Rr. Speaker and Fader Package, Rr.		—	—	—	1	1	—	—	—	—	—	—	2884 496
			—	—	—	—	—	—	1	1	1	1	—	2947 234
			—	—	—	—	—	—	1	1	—	—	—	2947 223
			—	—	—	—	—	—	1	1	—	—	—	2947 220
1-87-58	CONTROL, Rr. Speaker Reverb CONTROL, Rr. Speaker Fader, Shaft Type		—	—	—	1	1	—	—	—	—	—	—	2820 569
	Shaft Type		1	1	1	—	—	—	—	—	—	—	—	2864 300
	Shaft Type		—	—	—	1	1	—	—	—	—	—	—	2820 568
	Shaft Type		—	—	—	—	—	1	1	—	—	—	—	2947 230
	Shaft Type		—	—	—	—	—	—	—	1	1	1	—	2947 231
	T/Wheel Type		—	—	—	—	—	1	1	—	—	—	—	2864 368
	T/Wheel Type, w/AM, FM, Search and Tuner Radio		—	—	—	—	—	—	—	1	1	1	1	2947 133
	T/Wheel Type, w/Multiplex Radio		—	—	—	—	—	—	—	1	1	1	1	2864 397
	CONTROL, AM Radio, w/Stereo Tape Player Rr.		—	—	—	—	—	—	1	1	—	—	—	2864 397
	Frnt. and Rr. Stereo Speaker		—	—	—	1	1	—	—	—	—	—	—	2864 366
			—	—	—	—	—	—	—	—	—	—	—	2820 928
1-87-61	BRACKET, Radio Mtg. Support to Instrument Panel Lower Reinforcement		1	1	1	—	—	—	—	—	—	—	—	2864 790
1-87-180	KNOB and SET SCREW, Rr. Compartment Speaker Fader Control		1	1	—	—	—	—	—	—	—	—	—	2580 253
			—	—	1	—	—	—	—	—	—	—	—	2631 689
	Rr. Compartment Speaker Fader and Reverb.		—	—	—	1	1	1	1	—	—	—	—	2820 186
	KNOB and SPRING, w/Search, Tune AM, FM		—	—	—	—	—	—	—	2	2	2	—	2884 481
	Tone Control Walnut Finish		—	—	—	—	—	—	—	—	—	—	1	2884 481
	KNOB and INSERT, Radio Tone Control w/Search, Tune AM, FM		—	—	—	—	—	—	—	2	2	2	2	2884 317
1-87-289	REVERBERATOR, Rr. Compartment Speaker Control 2 D., 2 D.H.T., 4D.		—	—	—	1	1	—	—	—	—	—	—	2820 569
1-87-292	BEZEL, Rr. Speaker Fader Control Rr. Compartment Speaker Control Unit, W-P, W-S, Fast Back WVM, W-S		—	—	—	1	1	—	—	1	1	1	1	2580 361
			—	—	—	—	—	—	—	—	—	—	—	2580 361
1-87-334	GASKET, Rr. Seat Speaker Grille Screen, Cv. Cp.		—	—	—	—	—	—	1	1	1	1	—	2767 504
1-87-404	WIRING, Rr. Compartment Speaker Radio tape w/Rr. Speaker Jumper Wiring, Fader Control Switch Jumper Fader Switch Jumper Fader Switch		1	1	1	1	1	1	1	1	1	1	1	2580 038
			—	—	1	1	—	—	—	—	—	—	—	2926 097
			—	—	—	—	—	—	—	—	—	—	1	2926 720
			—	—	—	—	—	1	1	1	1	1	—	2889 376
			—	—	—	—	—	1	—	—	—	—	—	2983 129

TYPE LETTERS Indicates

B - Barracuda

V - Valiant
L - DartR - Belvedere
W - CoronetP - Plymouth
D - DodgeC - Chrysler
Y - Imperial

AR Indicates use as required.

Indicates parts not listed in any previous parts book.

Numerals in parentheses () refer to notes.

★ Indicates change or addition.

Printed in U.S.A.

January 1971

CODE	PART NAME	ENG. TYPE OR CU.IN.	V	B	L	R	W	P	D	C	C	C	Y	PART NUMBER
			1-2	1-2	1-2	1-2	1-2	1-2	1-2	1	2	3	1	
1-87-0 RADIO Cont'd.														
1-87-404	WIRING Cont'd.													
	WIRING Stereo tape Player Instrument													
	Panel					1	1							2926 402
	w/Rr. Speaker							1						2983 110
	w/Rr. Speaker or w/o Rr. Speaker								1					2983 157
	w/o Rr. Speaker							1						2983 104
	w/o Rr. Speaker								1					2983 155
	WIRING, Radio w/Multiplex and Stereo													
	Sta. Wgn.									1	1	1		2926 430
	Radio w/Multiplex and Stereo													
	2 D.H.T., Cv. Cp. 4 D., 4 D.H.T.									1	1	1	1	2926 431
1-88-0 RADIO ANTENNA														
										1	1	1		2926 690
	ANTENNA PACKAGE, MANUAL								1	1	1	1		2926 691
			1	1	1	1	1							2889 826
1-88-6	ADAPTER, Manual Antenna Mtg.			1										2889 926
	Except W-P, W-S, Fast Back					1	1							2889 924
	W-P, W-S, Fast Back						1							2889 925
	Manual Antenna Mtg.		1		1									2889 927
	ADAPTER and GASKET, Manual													
	Antenna									1	1	1		2926 628
									1					2926 627
								1						2926 626
	GASKET, Power Antenna Escutcheon									1	1	1		2771 958
1-88-7	PAD and PIN, Power Antenna									1	1	1	1	2258 899
1-88-12	BODY and CABLE, Manual Antenna		1	1	1	1	1							2889 932
								1	1	1	1	1		2926 673
1-88-107	GASKET, Upper Adapter Mtg.		1	1	1	1	1	1	1	1	1	1		2889 935
1-88-117	MOTOR and DRIVE, Power Antenna									1	1	1	1	2926 688
1-88-120	CAP NUT, Antenna Mtg.		1	1	1	1	1	1	1	1	1	1		2926 565
			1	1	1	1	1							2889 918
1-88-124	ESCUTCHEON and CLIP PACKAGE									1	1	1		2932 849
													1	2932 850
1-88-126	BRACKET, Power Antenna Mtg. to									1	1	1	1	2926 265
	Dash									1	1	1		2926 339
	BRACE, Power Antenna Mtg.									1	1	1		
	U/NUT, Power Antenna Motor									1	1	1		6025 504
	Brace to Bracket									1	1	1		
1-88-159	MAST, Manual Antenna 60"		1	1	1	1	1	1	1	1	1	1		2889 919
	Manual Antenna 76 1/2"		1	1	1	1	1	1	1	1	1	1		2889 934
	Power Antenna									1	1	1		2771 994
	MAST and TAPE												1	2770 181
1-88-160	ANTENNA MAST ADAPTER,													
	INSULATOR and SPACER													
	PACKAGE									1	1	1	1	2932 848
1-88-162	CABLE, Power Antenna Lead									1	1	1	1	2926 686
1-88-170	COLLAR and CLIP, Manual Antenna		1	1	1	1	1							2926 557
	COLLAR, Antenna Adapter		1	1	1	1	1							2889 917
	Manual Antenna							1	1	1	1	1		2983 153
	COLLAR, Manual Antenna Mtg.							1	1	1	1	1		2889 917
	NOTE: For Switch Pwr. Antenna See P.T.C. 8-42-1													

TYPE LETTERS Indicates

B - Barracuda

V - Valiant
L - DartR - Belvedere
W - CoronetP - Plymouth
D - DodgeC - Chrysler
Y - Imperial

AR Indicates use as required.

Indicates parts not listed in any previous parts book.

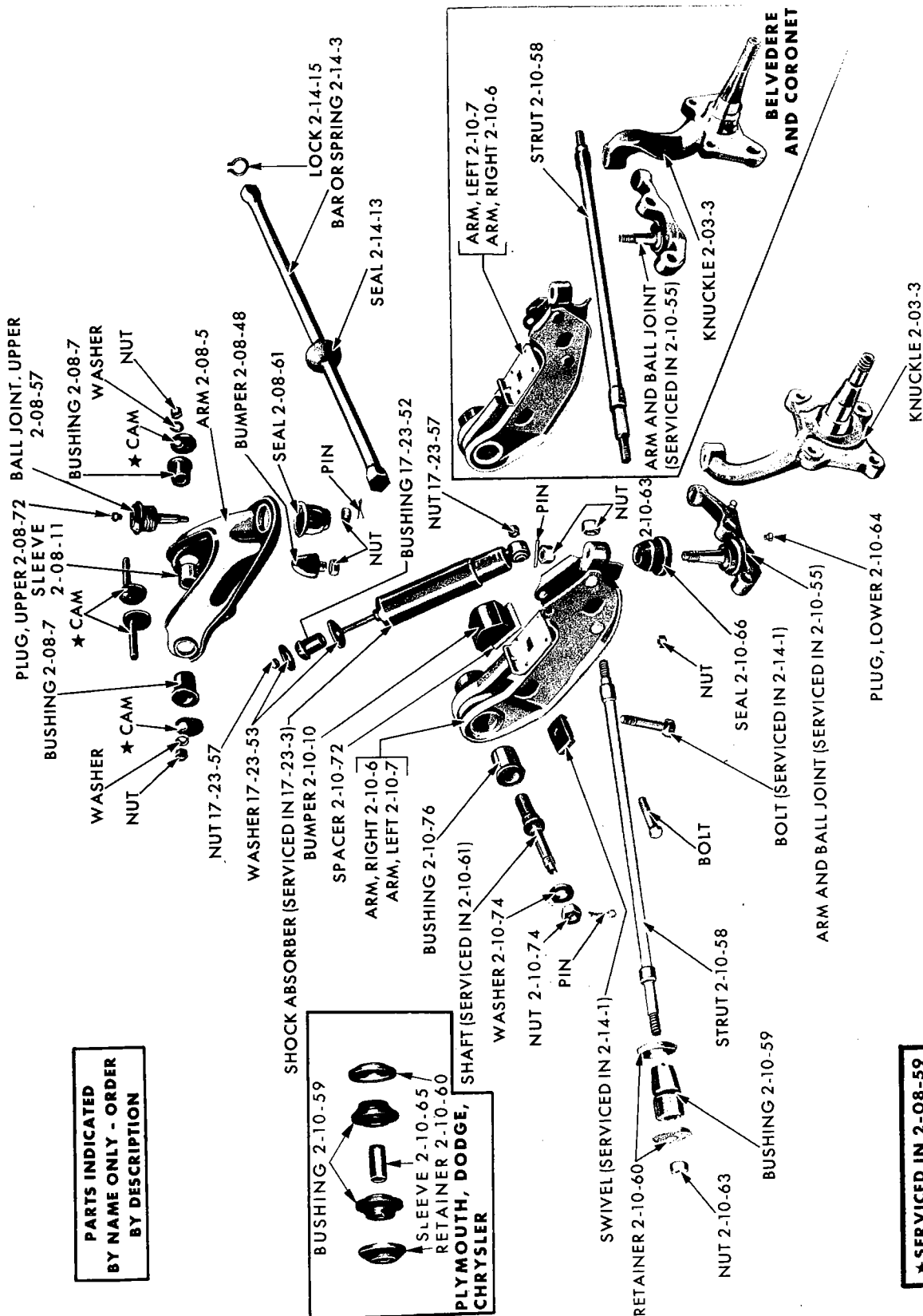
Numerals in parentheses () refer to notes.

★ Indicates change or addition.

Printed in U.S.A.

January 1971

GROUP 2 - FRONT SUSPENSION



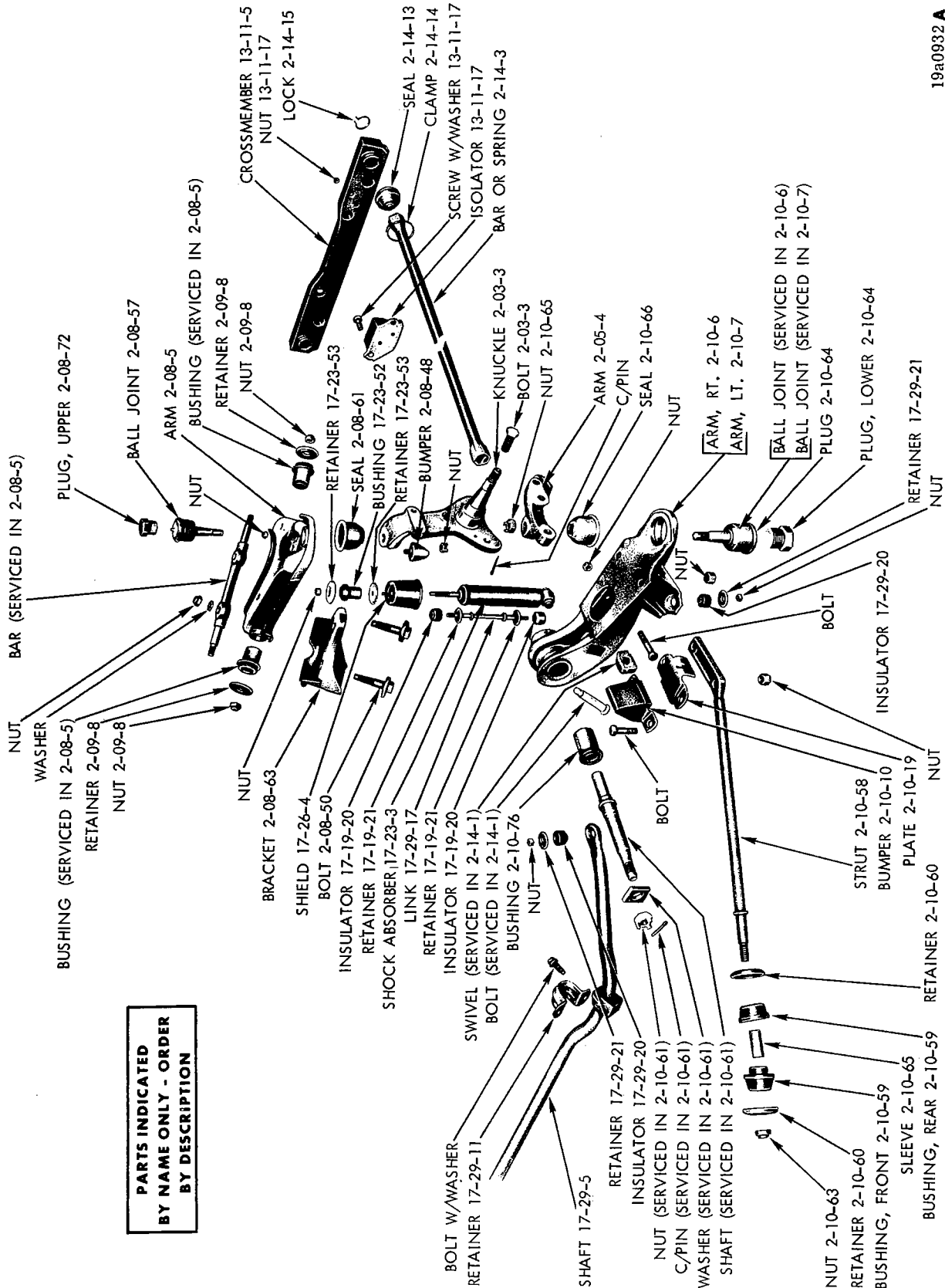
19x9301H

FRONT SUSPENSION - EXCEPT IMPERIAL

PARTS INDICATED BY NAME ONLY - ORDER BY DESCRIPTION

BUSHING 2-10-59
SLEEVE 2-10-65
RETAINER 2-10-60
PLYMOUTH, DODGE, CHRYSLER

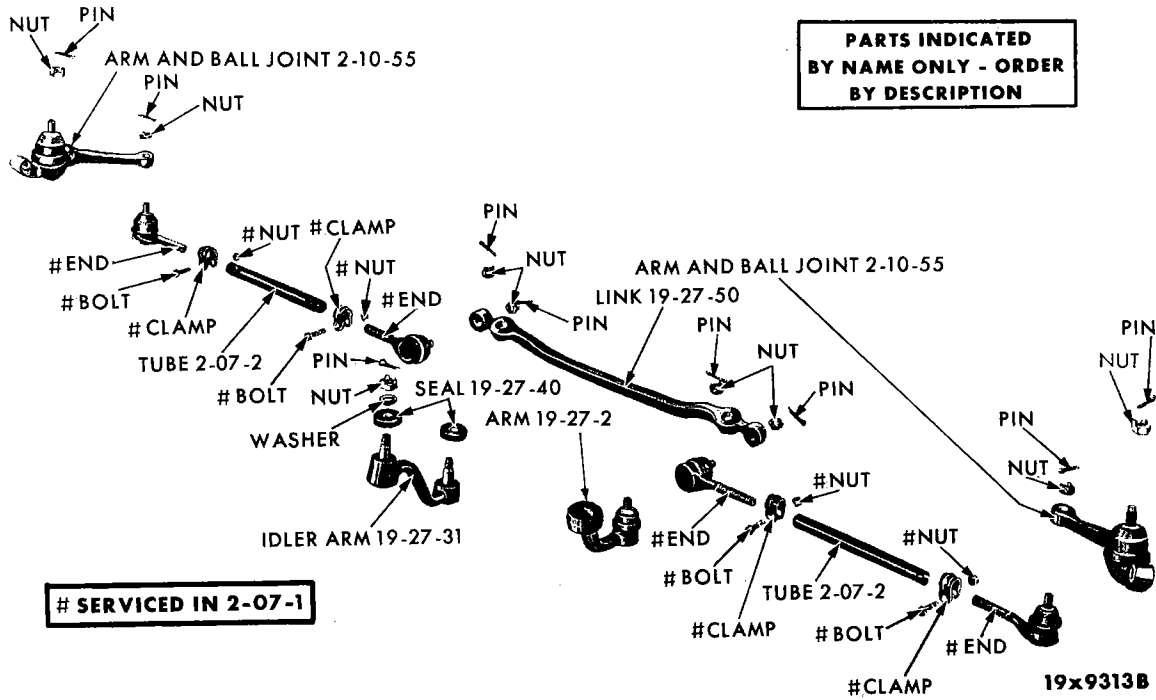
★SERVICED IN 2-08-59



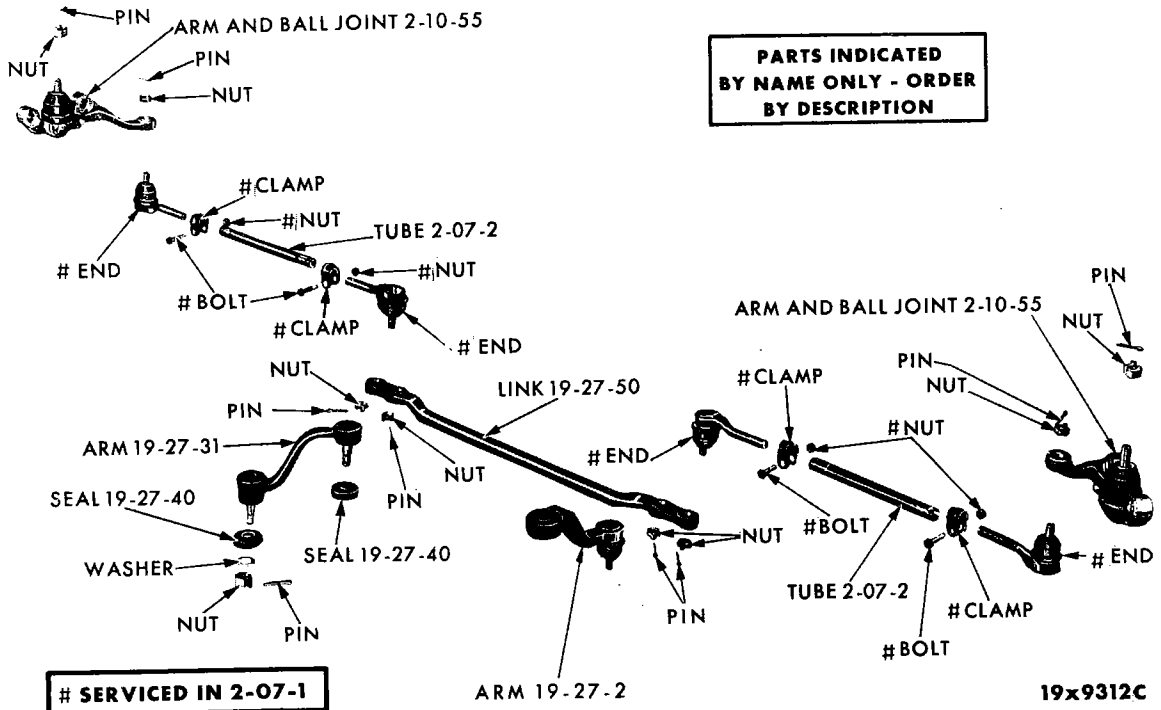
**PARTS INDICATED
BY NAME ONLY - ORDER
BY DESCRIPTION**

19a0932 A

FRONT SUSPENSION - IMPERIAL



TIE RODS - VALIANT, BARRACUDA AND DART



TIE RODS - BELVEDERE AND CORONET

CODE	PART NAME	ENG. TYPE OR CU.IN.	V	B	L	R	W	P	D	C	C	C	Y	PART NUMBER
			1-2	1-2	1-2	1-2	1-2	1-2	1	2	3	1		
2-03-0 STEERING KNUCKLE														
2-03-3	KNUCKLE, w/9" Brakes	6	1	1	1	—	—	—	—	—	—	—	—	2071 432-3
	w/10" Brakes	6	1	1	1	—	—	—	—	—	—	—	—	2071 650-1
	w/o Disc Brakes	8	1	1	1	—	—	—	—	—	—	—	—	2071 650-1
	w/o Disc Brakes		—	—	—	2	2	—	—	—	—	—	—	1858 084
	KNUCKLE PACKAGE, w/o Disc Brakes		—	—	—	—	—	2	2	2	2	2	—	3004 816
	KNUCKLE, w/Disc Brakes		1	1	1	—	—	—	—	—	—	—	—	2269 798-9
	w/Disc Brakes		—	—	—	1	1	—	—	—	—	—	—	2535 072-3
	w/Disc Brakes		—	—	—	—	—	1	1	1	1	1	—	2535 422-3
		Rt. 8	—	—	—	—	—	—	—	—	—	—	1	2071 850
		Lt. 8	—	—	—	—	—	—	—	—	—	—	1	2071 671
	BOLT, w/Disc Brakes		4	4	4	—	—	—	—	—	—	—	—	6026 483
			—	—	—	4	4	—	—	—	—	—	—	6026 705
			—	—	—	—	—	4	4	4	4	4	—	6027 635
			—	—	—	—	—	—	—	—	—	—	4	6026 705

2-05-0 STEERING LINKAGE KNUCKLE ARM

2-05-4	ARM	8	—	—	—	—	—	—	—	—	—	—	1	2071 674-5
--------	-----	---	---	---	---	---	---	---	---	---	---	---	---	------------

2-07-0 STEERING KNUCKLE TIE ROD

2-07-1	END PACKAGE, Inner, L.H. Thd.		2	2	2	2	2	—	—	—	—	—	—	3004 791
	Outer, R.H. Thd.		2	2	2	2	2	—	—	—	—	—	—	3004 790
	Inner		—	—	—	—	—	2	2	2	2	2	—	3004 795
	Outer		—	—	—	—	—	2	2	2	2	2	—	3004 794
	Inner	8	—	—	—	—	—	—	—	—	—	—	2	3004 787
	Outer	8	—	—	—	—	—	—	—	—	—	—	1	3004 788-9
2-07-2	TUBE		2	2	2	2	2	—	—	—	—	—	—	2072 437
	TUBE, w/CLAMP, BOLT and NUT		—	—	—	—	—	2	2	2	2	2	—	2269 786
		8	—	—	—	—	—	—	—	—	—	—	2	1634 619
2-07-17	PLUG, Tie Rod End Cover		4	4	4	4	4	4	4	4	4	4	4	1858 115
2-07-28	SEAL, Tie Rod Dust		4	4	4	4	4	4	4	4	4	4	—	2835 896
		8	—	—	—	—	—	—	—	—	—	—	4	2535 457

2-08-0 FRONT WHEEL UPPER CONTROL ARM

2-08-5	ARM		1	1	1	—	—	—	—	—	—	—	—	2071 456-7
			—	—	—	1	1	—	—	—	—	—	—	1857 856-7
			—	—	—	—	—	1	1	1	1	1	—	2269 104-5
		8	—	—	—	—	—	—	—	—	—	—	1	2535 376-7
2-08-7	BUSHING		4	4	4	4	4	—	—	—	—	—	—	2071 204
			—	—	—	—	—	4	4	4	4	4	—	2269 124
2-08-11	SLEEVE, Arm Locking		2	2	2	2	2	—	—	—	—	—	—	1857 840
2-08-48	BUMPER, Control Arm (also specify 1 of 9416 107 Nut)		2	2	2	2	2	2	2	2	2	2	—	2535 204
2-08-50	BOLT, Control Arm Cam	8	—	—	—	—	—	—	—	—	—	—	4	2071 862
	Control Arm Bracket, Upper Mounting	8	—	—	—	—	—	—	—	—	—	—	4	2071 534
	Lower Mounting	8	—	—	—	—	—	—	—	—	—	—	2	2071 533
2-08-57	BALL JOINT PACKAGE, Upper		2	2	2	—	—	—	—	—	—	—	—	2298 533
			—	—	—	2	2	2	2	2	2	2	—	2298 534
		8	—	—	—	—	—	—	—	—	—	—	2	2808 394
2-08-59	CAM and BUSHING PACKAGE		2	2	2	2	2	—	—	—	—	—	—	2084 920
			—	—	—	—	—	2	2	2	2	2	—	2808 445
2-08-61	SEAL, Ball Joint Upper		2	2	2	—	—	—	—	—	—	—	—	2462 848
			—	—	—	2	2	2	2	2	2	2	—	2269 127
		8	—	—	—	—	—	—	—	—	—	—	2	2462 887
2-08-62	WASHER, Ball Joint Stud		—	—	—	2	2	—	—	—	—	—	—	1672 960

TYPE LETTERS Indicates B - Barracuda V - Valiant R - Belvedere P - Plymouth C - Chrysler
 L - Dart W - Coronet D - Dodge Y - Imperial

AR Indicates use as required. Numerals in parentheses () refer to notes. Printed in U.S.A.
 = Indicates parts not listed in any previous parts book. ★ Indicates change or addition. January 1971

CODE	PART NAME	ENG. TYPE OR CU.IN.	V	B	L	R	W	P	D	C	C	C	Y	PART NUMBER
			1-2	1-2	1-2	1-2	1-2	1-2	1	2	3	1		
2-08-0 FRONT WHEEL UPPER CONTROL ARM Cont'd.														
2-08-63	BRACKET, Side Rail Control Arm Mounting		1	1	1	—	—	—	—	—	—	—	—	2260 300-1
		Rt.	—	—	—	1	1	—	—	—	—	—	—	2467 982
		Lt.	—	—	—	1	1	—	—	—	—	—	—	2204 185
	Control Arm Support Mounting	8	—	—	—	—	—	—	—	—	—	—	1	2071 536-7
2-08-70	REINFORCEMENT, Arm Mounting Bracket to Fender Shield		—	—	—	2	2	—	—	—	—	—	—	2530 688
2-08-71	NUT, Arm Cam Bolt		4	4	4	4	4	4	4	4	4	4	—	1825 449
		8	—	—	—	—	—	—	—	—	—	—	4	121 358
2-08-72	PLUG, Upper Ball Joint		2	2	2	2	2	2	2	2	2	2	2	1858 115
2-09-0 FRONT WHEEL UPPER CONTROL ARM PIVOT BAR														
2-09-8	RETAINER, Arm Pivot Bushing	8	—	—	—	—	—	—	—	—	—	—	4	2207 116
	NUT	8	—	—	—	—	—	—	—	—	—	—	4	6026 005
2-10-0 FRONT WHEEL LOWER CONTROL ARM														
2-10-6	ARM, w/SHAFT, Rt. (also specify 1 of 6023 932 Nut)		1	1	1	—	—	—	—	—	—	—	—	2535 364
	w/SHAFT, w/o Sway Bar, Rt. (also specify 1 of 6023 932 Nut)		—	—	—	1	1	—	—	—	—	—	—	2535 366
	w/SHAFT, w/Sway BAR, Rt. (also specify 1 of 6023 932 Nut)		—	—	—	1	1	—	—	—	—	—	—	2535 368
	w/SHAFT, Rt.		—	—	—	—	—	1	1	1	1	1	—	2535 434
	ARM PACKAGE, Rt.	8	—	—	—	—	—	—	—	—	—	—	1	2808 620
	RIVET, Arm Plate		2	2	2	2	2	—	—	—	—	—	—	6023 293
2-10-7	ARM, w/SHAFT, Lt. (also specify 1 of 6023 932 Nut)		1	1	1	—	—	—	—	—	—	—	—	2535 365
	w/SHAFT, w/o Sway Bar, Lt. (also specify 1 of 6023 932 Nut)		—	—	—	1	1	—	—	—	—	—	—	2535 367
	w/SHAFT, w/Sway BAR, Lt. (also specify 1 of 6023 932 Nut)		—	—	—	1	1	—	—	—	—	—	—	2535 369
	w/SHAFT, Lt.		—	—	—	—	—	1	1	1	1	1	—	2535 435
	ARM PACKAGE, Lt.	8	—	—	—	—	—	—	—	—	—	—	1	2808 621
	RIVET, Arm Plate		2	2	2	2	2	—	—	—	—	—	—	6023 293
2-10-10	BUMPER, Arm		2	2	2	2	2	—	—	—	—	—	—	2535 027
			—	—	—	—	—	2	2	2	2	2	—	2269 218
		8	—	—	—	—	—	—	—	—	—	—	2	2071 653
	NUT		2	2	2	2	2	2	2	2	2	2	—	9416 107
2-10-19	PLATE, Bumper Support	8	—	—	—	—	—	—	—	—	—	—	2	2071 640
2-10-55	ARM and BALL JOINT PACKAGE, Lower, w/o Disc Brakes		1	1	1	—	—	—	—	—	—	—	—	3004 868-9
	w/o Disc Brakes		—	—	—	1	1	—	—	—	—	—	—	2808 486-7
	w/o Disc Brakes		—	—	—	—	—	1	1	1	1	1	—	3004 817-8
	w/Disc Brakes		1	1	1	—	—	—	—	—	—	—	—	3004 870-1
	w/Disc Brakes		—	—	—	1	1	—	—	—	—	—	—	2808 486-7
	w/Disc Brakes		—	—	—	—	—	1	1	1	1	1	—	3004 817-8
2-10-57	BUSHING and RETAINER PACKAGE		2	2	2	—	—	—	—	—	—	—	—	2084 918
			—	—	—	2	2	—	—	—	—	—	2	2808 664
			—	—	—	—	—	2	2	2	2	2	—	2808 665
2-10-58	STRUT, Arm		2	2	2	—	—	—	—	—	—	—	—	2071 417
			—	—	—	2	2	—	—	—	—	—	—	2462 585
			—	—	—	—	—	2	2	2	2	2	—	2269 245
		8	—	—	—	—	—	—	—	—	—	—	2	2535 755
	PIN, Arm Strut		2	2	2	2	2	2	2	2	2	2	2	6027 381

TYPE LETTERS Indicates

B - Barracuda

V - Valiant
L - DartR - Belvedere
W - CoronetP - Plymouth
D - DodgeC - Chrysler
Y - Imperial

AR Indicates use as required.

≠ Indicates parts not listed in any previous parts book.

Numerals in parentheses () refer to notes.

★ Indicates change or addition.

Printed in U.S.A.
January 1971

CODE	PART NAME	ENG. TYPE OR CU.IN.	V	B	L	R	W	P	D	C	C	C	Y	PART NUMBER
			1-2	1-2	1-2	1-2	1-2	1-2	1-2	1	2	3	1	
2-10-0 FRONT WHEEL LOWER CONTROL ARM Cont'd.														
2-10-59	BUSHING, Arm Strut		2	2	2	—	—	—	—	—	—	—	—	2071 443
	Front		—	—	—	2	2	—	—	—	—	—	2	2462 740
	Rear		—	—	—	2	2	—	—	—	—	—	2	2462 741
	Front		—	—	—	—	—	2	2	2	2	2	—	2207 282
	Rear		—	—	—	—	—	2	2	2	2	2	—	2207 296
2-10-60	RETAINER, Arm Strut Bushing		4	4	4	—	—	—	—	—	—	—	—	2071 211
			—	—	—	4	4	4	4	4	4	4	4	2207 322
2-10-61	SHAFT PACKAGE, Control Arm		2	2	2	—	—	—	—	—	—	—	—	2808 580
			—	—	—	2	2	—	—	—	—	—	—	2808 579
			—	—	—	—	—	2	2	2	2	2	—	2808 687
		8	—	—	—	—	—	—	—	—	—	—	2	2808 686
2-10-63	NUT, Strut Bushing		2	2	2	—	—	—	—	—	—	—	—	6024 657
			—	—	—	2	2	2	2	2	2	2	2	6025 523
	Arm Strut		2	2	2	2	2	2	2	2	2	2	—	6024 803
	Arm Strut Bumper	8	—	—	—	—	—	—	—	—	—	—	4	6023 021
	BOLT, Strut Bumper	8	—	—	—	—	—	—	—	—	—	—	4	6026 031
2-10-64	PLUG, Ball Joint Lower		2	2	2	2	2	2	2	2	2	2	2	1858 115
2-10-65	SLEEVE, Strut Bushing		—	—	—	2	2	—	—	—	—	—	2	2535 463
			—	—	—	—	—	2	2	2	2	2	—	2535 464
2-10-66	SEAL, Ball Joint		2	2	2	2	2	—	—	—	—	—	—	2269 215
			—	—	—	—	—	2	2	2	2	2	—	2269 214
			—	—	—	—	—	—	—	—	—	—	2	2462 886
2-10-68	NUT, Ball Joint Stud	8	—	—	—	—	—	—	—	—	—	—	2	1671 405
2-10-72	SPACER, Arm Bumper, except Sta. Wgn.	8	—	—	—	—	—	—	2	—	—	—	—	2071 727
2-10-74	WASHER, Arm Shaft		2	2	2	2	2	—	—	—	—	—	—	2071 470
	NUT, Arm Shaft		2	2	2	2	2	—	—	—	—	—	—	6023 932
	NUT, Arm Camber Shaft		—	—	—	—	—	2	2	2	2	2	2	6027 186
2-10-76	BUSHING, Arm Shaft		2	2	2	2	2	—	—	—	—	—	—	1858 024
			—	—	—	—	—	2	2	2	2	2	—	2269 189
		8	—	—	—	—	—	—	—	—	—	—	2	2071 506

2-14-0 FRONT SUSPENSION TORSION PARTS

2-14-1	BOLT and SWIVEL PACKAGE,													
	Anchor Adjusting		2	2	2	—	—	—	—	—	—	—	—	2275 469
	Std.		—	—	—	2	2	—	—	—	—	—	—	2275 468
	Std., R-M, W-M, Charger		—	—	—	2	2	—	—	—	—	—	—	2275 469
	Std., 426, 440 Eng.	8	—	—	—	2	2	—	—	—	—	—	—	2275 469
	Police and Taxi		—	—	—	2	2	—	—	—	—	—	—	2275 469
	Heavy Duty		—	—	—	2	2	—	—	—	—	—	—	2275 469
			—	—	—	—	—	2	—	—	—	—	—	2525 086
	Canada only	6	—	—	—	—	—	—	2	—	—	—	—	2525 086
			—	—	—	—	—	—	2	2	2	2	—	2525 087
		8	—	—	—	—	—	—	—	—	—	—	2	2808 417

NOTE: The Anchor End of Torsion Bars or Springs, are stamped with the last 3 digits of the part number. Numbers ending with an even digit designate a Torsion Bar or Spring for the right side fo the car, with an odd digit for the left side. Example 888-Right Side, 889-Left Side.

STANDARD

2-14-3	BAR or SPRING	6	1	1	1	—	—	—	—	—	—	—	—	2535 888-9
	225 Eng., w/Air Cond.	6	1	1	1	—	—	—	—	—	—	—	—	2535 890-1
	273 Eng.	8	1	—	1	—	—	—	—	—	—	—	—	2535 890-1
	318, 340 Eng.	8	1	1	1	—	—	—	—	—	—	—	—	2535 892-3
	383 Eng.	8	—	1	1	—	—	—	—	—	—	—	—	2535 894-5
	All	6	—	—	—	1	1	—	—	—	—	—	—	1857 774-5
	Except Sta. Wgn., 318, 383 Eng.	8	—	—	—	1	1	—	—	—	—	—	—	1857 776-7

TYPE LETTERS Indicates

B - Barracuda

V - Valiant

L - Dart

R - Belvedere

W - Coronet

P - Plymouth

D - Dodge

C - Chrysler

Y - Imperial

AR Indicates use as required.

= Indicates parts not listed in any previous parts book.

Numerals in parentheses () refer to notes.

★ Indicates change or addition.

Printed in U.S.A.

January 1971

CODE	PART NAME	ENG. TYPE OR CU.IN.	V	B	L	R	W	P	D	C	C	C	Y	PART NUMBER
			1-2	1-2	1-2	1-2	1-2	1-2	1	2	3	1		
2-14-0 FRONT SUSPENSION TORSION PARTS Cont'd.														
2-14-3 BAR Cont'd.														
	Sta. Wgn.		—	—	—	1	1	—	—	—	—	—	—	1857 774-5
	R-M, W-M, Charger		—	—	—	1	1	—	—	—	—	—	—	1857 778-9
	Charger 318, 383 Eng., w/Reduced Rate Suspension	8	—	—	—	—	1	—	—	—	—	—	—	1857 776-7
	426, 440 Eng.	8	—	—	—	1	1	—	—	—	—	—	—	1857 780-1
	Police, 2 D., 4 D.	6	—	—	—	1	1	—	—	—	—	—	—	1857 778-9
	Police, 2 D., 4 D.	8	—	—	—	1	1	—	—	—	—	—	—	1857 780-1
	Police, Sta. Wgn.		—	—	—	1	1	—	—	—	—	—	—	1857 778-9
	Taxi		—	—	—	1	1	—	—	—	—	—	—	1857 778-9
	Except Sta. Wgn.	6	—	—	—	—	—	1	—	—	—	—	—	2269 576-7
	Canada only	6	—	—	—	—	—	—	1	—	—	—	—	2269 574-5
	Except Sta. Wgn., 318, 440 Eng.	8	—	—	—	—	—	1	—	—	—	—	—	2269 578-9
	Except Sta. Wgn., 383 Eng.	8	—	—	—	—	—	1	—	—	—	—	—	2269 574-5
	Sta. Wgn.		—	—	—	—	—	1	—	—	—	—	—	2269 574-5
	Police and Taxi		—	—	—	—	—	1	—	—	—	—	—	2269 578-9
	w/o Air Cond., 318, 383 Eng.	8	—	—	—	—	—	—	1	—	—	—	—	2269 618-9
	w/Air Cond., 318, 383 Eng.	8	—	—	—	—	—	—	1	—	—	—	—	2269 620-1
	w/440 Eng.	8	—	—	—	—	—	—	1	—	—	—	—	2269 622-3
	Police and Taxi	8	—	—	—	—	—	—	1	—	—	—	—	2269 622-3
	383 Eng. and 440 Eng., w/o High Performance	8	—	—	—	—	—	—	—	1	1	1	—	2269 620-1
	440 Eng., w/High Performance	8	—	—	—	—	—	—	—	1	1	1	—	2269 622-3
	All	8	—	—	—	—	—	—	—	—	—	—	1	2535 510-1

HEAVY DUTY

	170, 225, 273 Eng.		1	1	1	—	—	—	—	—	—	—	—	2535 892-3
	Except 426, 440 Eng.	8	—	—	—	1	1	—	—	—	—	—	—	1857 778-9
	426, 440 Eng.	8	—	—	—	1	1	—	—	—	—	—	—	1857 780-1
	Extreme Duty		—	—	—	1	1	—	—	—	—	—	—	1857 780-1
	All		—	—	—	—	—	1	—	—	—	—	—	2269 578-9
	Extreme Duty		—	—	—	—	—	1	—	—	—	—	—	2269 578-9
	Canada only	6	—	—	—	—	—	—	1	—	—	—	—	2269 578-9
	All	8	—	—	—	—	—	—	1	—	—	—	—	2269 622-3
	All	8	—	—	—	—	—	—	1	1	1	—	—	2269 622-3
	All	8	—	—	—	—	—	—	—	—	—	—	1	2535 516-7
2-14-13	SEAL, Rear End Anchor		2	2	2	2	2	—	—	—	—	—	—	2071 173
			—	—	—	—	—	2	2	2	2	2	—	2269 250
			—	—	—	—	—	—	—	—	—	—	2	2269 260
2-14-14	CLAMP, Rear End Anchor	8	—	—	—	—	—	—	—	—	—	—	2	2269 234
2-14-15	LOCK, Rear End Anchor Seal		2	2	2	2	2	—	—	—	—	—	—	1671 446
			—	—	—	—	—	2	2	2	2	2	2	1639 171

NOTES

TYPE LETTERS Indicates

B - Barracuda

V - Valiant
L - DartR - Belvedere
W - CoronetP - Plymouth
D - DodgeC - Chrysler
Y - Imperial

AR Indicates use as required.

≡ Indicates parts not listed in any previous parts book.

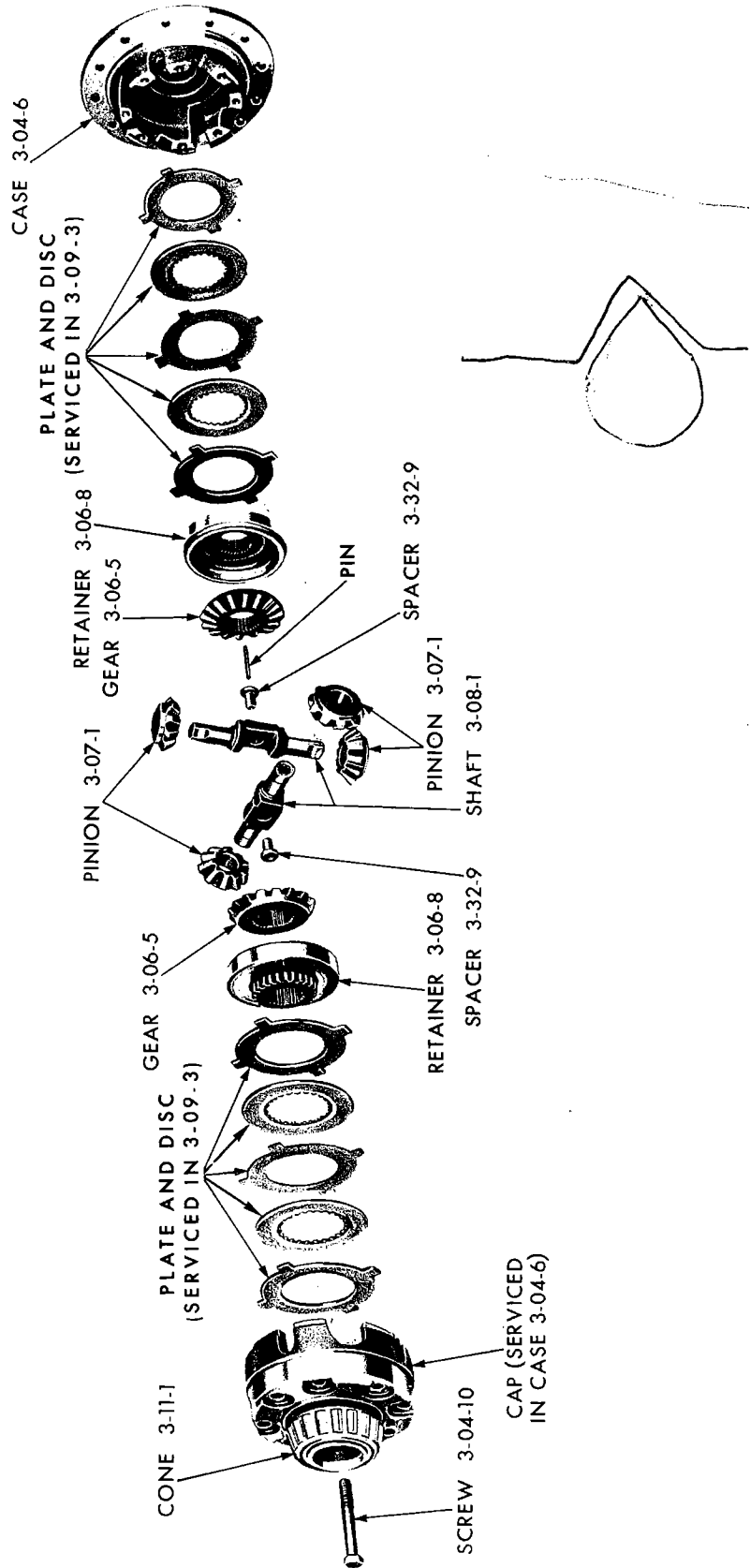
Numerals in parentheses () refer to notes.

★ Indicates change or addition.

Printed in U.S.A.

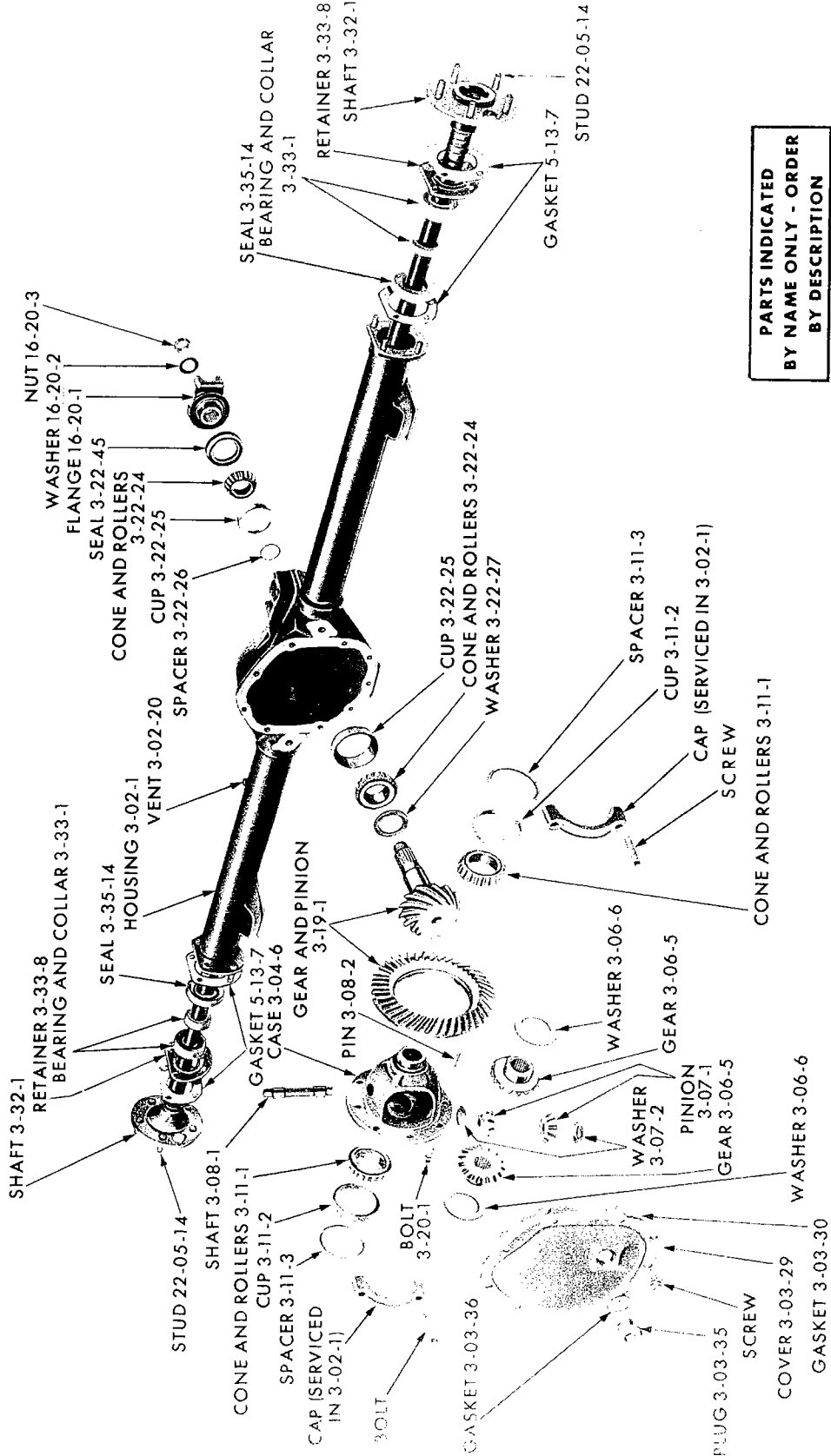
January 1971

GROUP 3 - AXLE - REAR



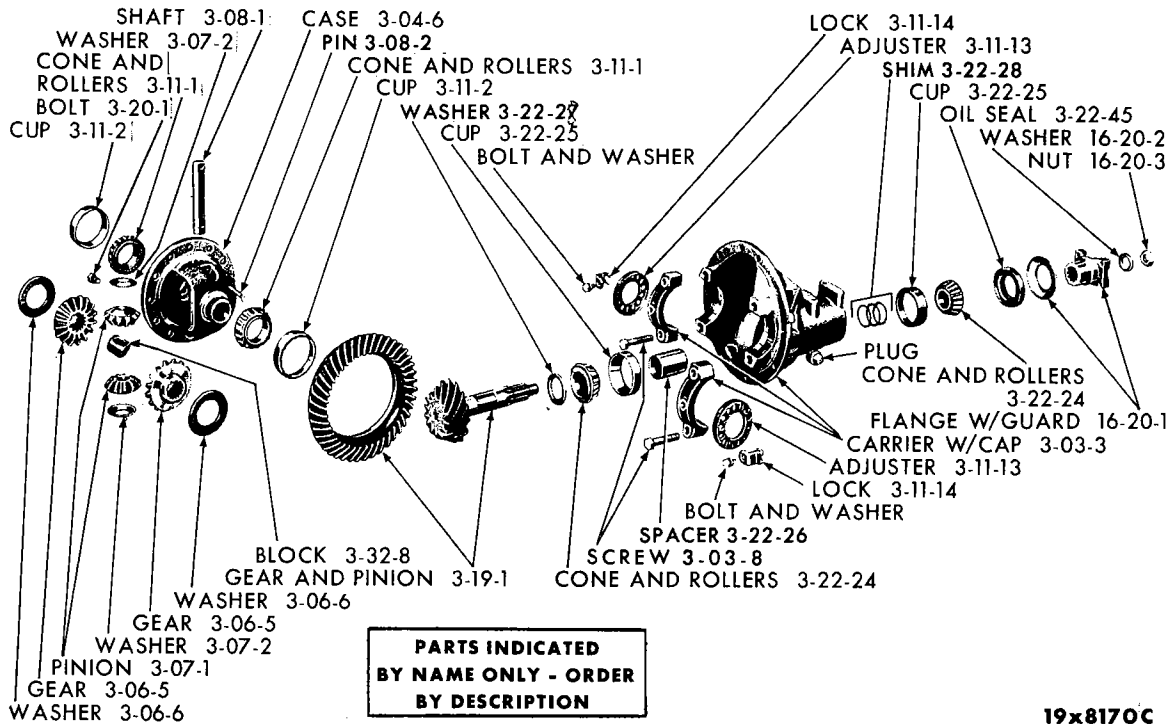
19x8320E

“SURE-GRIP” REAR AXLE DIFFERENTIAL

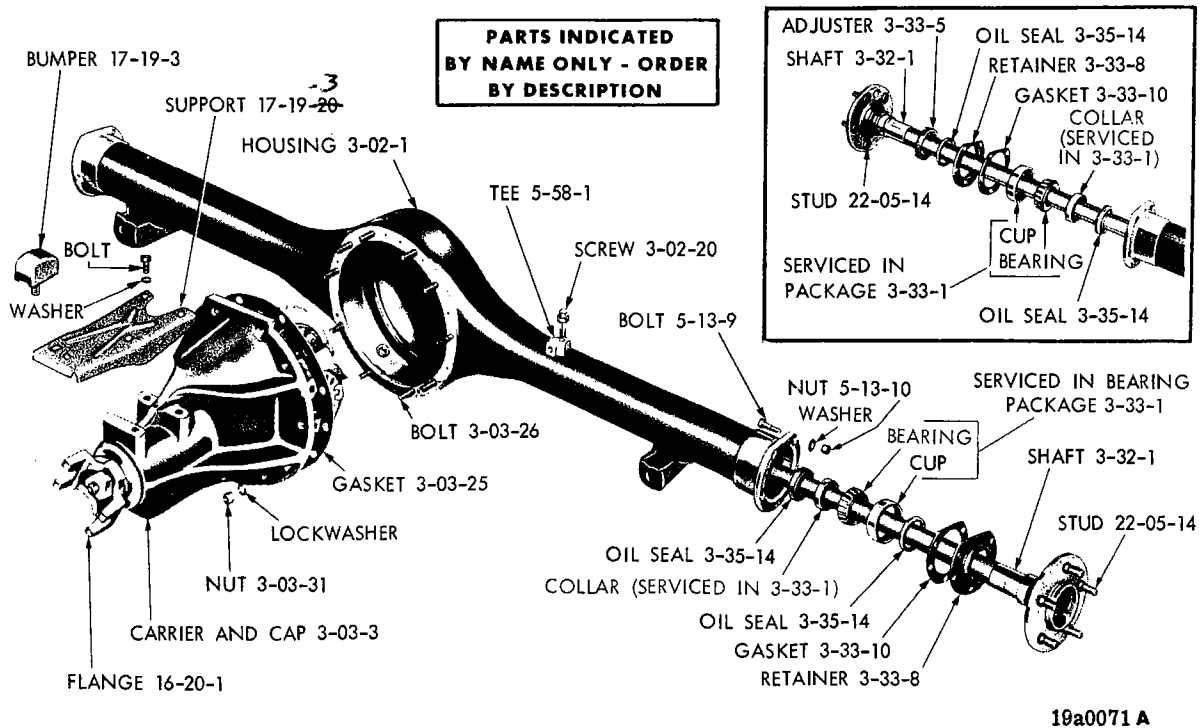


19x8727 H

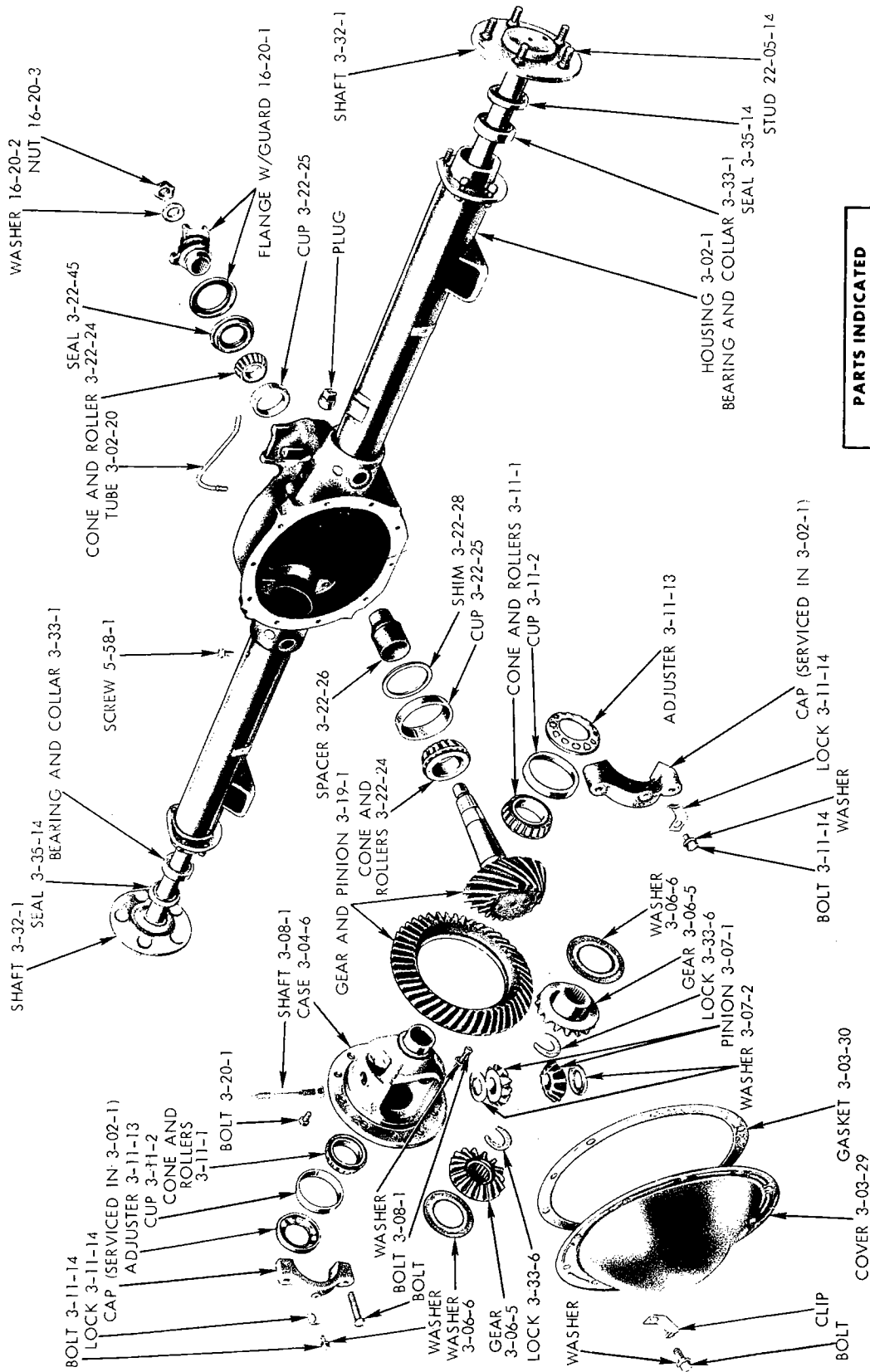
REAR AXLE DIFFERENTIAL AND CARRIER - 7 1/4" DIA. GEAR - VALIANT, BARRACUDA (BELVEDERE AND CORONET 6 CYLINDER)



REAR AXLE DIFFERENTIAL WITH CARRIER (WITHOUT SURE-GRIP) - 8 3/4" DIA. GEAR TYPE



REAR AXLE HOUSING AND CARRIER - 8 3/4" DIA. GEAR TYPE



**PARTS INDICATED
BY NAME ONLY - ORDER
BY DESCRIPTION**

19a2718 A

REAR AXLE DIFFERENTIAL AND CARRIER - 8 1/4" DIA. GEAR TYPE - BELVEDERE, SATELLITE, CORONET, CHARGER, PLYMOUTH AND DODGE (WITH 318 ENGINE ONLY)

CODE	PART NAME	ENG. TYPE OR CU.IN.	V	B	L	R	W	P	D	C	C	C	Y	PART NUMBER
			1-2	1-2	1-2	1-2	1-2	1-2	1-2	1	2	3	1	
NOTE: Two types of differentials are being used in production for 8 3/4" diameter gear axles. With 1 3/8" diameter pinion shaft, the carrier has part number 1820 657 or 2070 741 embossed 2 inches below the yoke. With 1 3/4" and 1 7/8" diameter pinion shaft, the carrier has part number 2881 488 or 2881 489 embossed 2 inches below the yoke.														
NOTE: Differential and Carriers have a metal tag bolted on them giving the ratio of the rear axle.														
NOTE: All 8 3/4" diameter gear cone clutch type Sure-Grip axles can be identified by orange paint around the filler plug.														
NOTE: Some 1968 8 3/4" dia. gear rear axles were used on the early model 1969 cars. Specify parts for these 1968 axles from the 1968 parts book.														
NOTE: UNITED STATES BUILT P and D models with 8 3/4" dia. gear axles used a 1 7/8" dia. pinion shaft only. CANADIAN BUILT - UNITED STATES SOLD 8 3/4" dia. gear axles used a 1 3/4" dia. pinion shaft only.														
NOTE: Some 1970 8 1/4" dia. gear axles were used on the 1969 P and D models. See the 1970 book for parts.														
3-02-0 REAR AXLE HOUSING														
3-02-1	HOUSING, w/7 1/4" dia. Gear		1	1	1	—	—	—	—	—	—	—	—	2800 443
	w/8 3/4" dia. Gear, One Piece Tube Type	8	1	1	1	—	—	—	—	—	—	—	—	2800 227
	w/8 3/4" dia. Gear, One Piece Tube Type, 54 15/16" lgh. to outer end of Flanges		—	—	—	1	1	—	—	—	—	—	—	2852 838
	w/8 1/4" dia. Gear, 1 5/8" dia. Stem, w/2.71 to 1 ratio, w/318 Eng.	8	—	—	—	1	1	—	—	—	—	—	—	2881 055
	w/7 1/4" dia. Gear, except Sta. Wgn.	6	—	—	—	1	1	—	—	—	—	—	—	2643 421
	w/9 3/4" dia. Gear, w/4 Speed Trans., w/426 and 440 H/Perf. Eng.	8	—	—	—	1	1	—	—	—	—	—	—	2881 003
	w/8 3/4" dia. Gear, except Sta. Wgn., One Piece Tube Type, 56 7/16" lgh. to Outer Ends of Flanges		—	—	—	—	—	1	1	1	1	1	—	2800 175
	w/8 3/4" dia. Gear, Sta. Wgn., One Piece Tube Type, 59 7/64" lgh.		—	—	—	—	—	1	1	1	—	—	—	2881 310
	w/9 1/4" dia. Gear, For Fleet use only, w/Stretch - out body, Sta. Wgn.	8	—	—	—	—	—	—	—	1	—	—	—	3432 688
	w/8 3/4" dia. Gear, w/2.94 to 1 ratio, One Piece Tube Type	8	—	—	—	—	—	—	—	—	—	—	1	2800 224
	w/9 1/4" dia. Gear, For Fleet use only, w/Stretch - out body, 4 Dr. Sed.	8	—	—	—	—	—	—	—	—	—	—	1	2881 077
3-02-20	SCREW, Brake Tube Tee Vent													
	V2, B2, L2, D2		1	1	1	1	1	1	1	1	1	1	1	2404 119
	TUBE, Rr. Axle Vent	8	—	—	—	1	1	1	1	—	—	—	—	2881 187

NOTES

TYPE LETTERS Indicates	B - Barracuda	V - Valiant L - Dart	R - Belvedere W - Coronet	P - Plymouth D - Dodge	C - Chrysler Y - Imperial
------------------------	---------------	-------------------------	------------------------------	---------------------------	------------------------------

AR Indicates use as required. Numerals in parentheses () refer to notes. Printed in U.S.A. January 1971
 # Indicates parts not listed in any previous parts book. ★ Indicates change or addition.

3-03-0 REAR AXLE DIFFERENTIAL AND CARRIER

NOTE: Differential, with Carrier and Tubes and Differential, with Carrier are shown below in chart form by ratio. The chart also includes other information such as Gear size and Stem size.

3-03-1 DIFFERENTIAL, w/CARRIER AND TUBES

RATIO	Gear Dia.	Stem Dia.	With or w/o Sure-Grip	Model	REMARKS	SERVICE NUMBER
2.76 to 1	7 1/4"	1 3/8"	w/o	V,B,L		2800 438
2.76 to 1	7 1/4"	1 3/8"	With	V1, B1, L1		2881 178
2.93 to 1	7 1/4"	1 3/8"	w/o	V,B1,L		2800 439
2.93 to 1	7 1/4"	1 3/8"	with	V, B1, L		2881 179
2.93 to 1	7 1/4"	1 3/8"	w/o	R1, W1		2643 419
3.23 to 1	7 1/4"	1 3/8"	w/o	V,B1,L		2800 440
3.23 to 1	7 1/4"	1 3/8"	with	V, B1, L		2881 180
3.23 to 1	7 1/4"	1 3/8"	w/o	R1,W1		2643 420
3.55 to 1	7 1/4"	1 3/8"	w/o	V1,B1,L1		2800 441
3.91 to 1	7 1/4"	1 3/8"	w/o	V1,B1,L1		2800 442
2.71 to 1	8 1/4"	1 5/8"	w/o	R2, W2,		
				w/318 Eng.		3432 614
3.54 to 1	9 3/4"	---	with	R2,W2		2881 002

3-03-1 DIFFERENTIAL, w/CARRIER

RATIO	GEAR DIA.	STEM DIA.	WITH OR W/O SURE-GRIP	MODEL	REMARKS	SERVICE NUMBER
2.76 to 1	8 3/4"	---	w/o	R2, W2, P2, D2, C, U.S. Blt.	Used for Service	2881 375
2.94 to 1	8 3/4"	---	w/o	R, W, P, D, Y, U.S. Blt.		2881 492
2.94 to 1	8 3/4"	1 3/8"	with	R,W	Used for Service	2881 494
3.23 to 1	8 3/4"	---	w/o	V2, B2, L2, R2, W2, P2, D2, C, U.S. Blt.		2881 381
3.23 to 1	8 3/4"	---	with	R,W, P, D2, C, U.S. Blt.	Std. Type Using Number 7260 Yoke	2881 378
3.23 to 1	8 3/4"	1 3/8"	with	V2,B2,L2	Heavy Duty using Number 7290 Yoke	2931 824
3.55 to 1	8 3/4"	1 3/8"	w/o	R, W, P, D2, U.S. Blt.		2931 810
3.55 to 1	8 3/4"	---	w/o	P,D	Canada	2881 304
3.91 to 1	8 3/4"	1 3/8"	w/o	R,W	Export	2931 811
2.76 to 1	8 3/4"	---	with	R2, W2, P2, D2, C, U.S. Blt.		2881 379
3.23 to 1	8 3/4"	---	with	R2, W2, P2, D2, C,U.S. Blt.	Heavy Duty using Number 7290 Yoke	2881 382
3.23 to 1	8 3/4"	1 3/4"	w/o	P,D	Canada	2881 381
3.23 to 1	8 3/4"	1 3/4"	with	P,D	Canada	2881 378
2.76 to 1	8 3/4"	1 3/4"	---	P, D2, Can. Blt.- U.S. Sold		2881 375
2.76 to 1	8 3/4"	1 3/4"	w/o	P,D	Canada	2881 375
2.76 to 1	8 3/4"	1 3/4"	with	P,D	Canada	2881 379

TYPE LETTERS indicates

B - Barracuda

V - Valiant
L - DartR - Belvedere
W - CoronetP - Plymouth
D - DodgeC - Chrysler
Y - Imperial

AR Indicates use as required.

Indicates parts not listed in any previous parts book.

Numerals in parentheses () refer to notes.

★ Indicates change or addition.

Printed in U.S.A.
January 1971

CODE	PART NAME	ENG. TYPE OR CU.IN.	V	B	L	R	W	P	D	C	C	C	Y	PART NUMBER
			1-2	1-2	1-2	1-2	1-2	1-2	1-2	1	2	3	1	
3-03-0 REAR AXLE DIFFERENTIAL AND CARRIER Cont'd.														
3-03-2	DIFFERENTIAL, Partial, w/7 1/4" dia. gear, w/Sure-Grip,		1	1	1	—	—	—	—	—	—	—	—	2881 342
	w/8 3/4" dia. Gear, w/Sure-Grip, V2, B2, L2, D2, Cone and Spring Type		1	1	1	1	1	1	1	1	1	1	1	2881 343
3-03-3	CARRIER, w/CAPS, w/8 3/4" dia. Gear, 1 3/8" dia. Stem, V2, B2, L2, D2		1	1	1	1	1	1	1	—	—	—	—	1820 698
	w/8 3/4" Dia. Gear, 1 3/4" and 1 7/8" dia. Stem.		1	1	1	1	1	—	—	—	—	—	—	2881 098
	V2, B2, L2		1	1	1	1	1	—	—	—	—	—	—	2881 098
	w/8 3/4" dia. Gear, 1 3/4" dia. Stem, D2, Can. Blt. - U.S. Sold		—	—	—	—	—	1	1	—	—	—	—	1634 984
	w/8 3/4" dia. Gear, 1 3/4" dia. Stem, Canada		—	—	—	—	—	1	1	—	—	—	—	1634 984
	w/8 3/4" dia. Gear, 1 7/8" dia. Stem, D2, U.S. Blt.		—	—	—	—	—	1	1	1	1	1	1	2881 098
3-03-8	SCREW, Cap, w/8 3/4" dia. Gear w/9 3/4" dia. Gear,		4	4	4	4	4	4	4	4	4	4	4	314 948
	w/4 Speed Trans.	8	—	—	—	4	4	—	—	—	—	—	—	181 170
3-03-25	GASKET, Carrier, w/8 3/4" dia. Gear, V2, B2, L2, D2		1	1	1	1	1	1	1	1	1	1	1	1673 367
3-03-26	BOLT, Hsg. to Carrier, w/8 3/4" dia. Gear, V2, B2, L2, D2		10	10	10	10	10	10	10	10	10	10	10	1135 197
	NUT, Hsg. to Carrier Bolt, w/8 3/4" dia. Gear, V2, B2, L2, D2		10	10	10	10	10	10	10	10	10	10	10	6027 412
	dia. Gear, V2, B2, L2, D2		10	10	10	10	10	10	10	10	10	10	10	1135 197
3-03-29	COVER, Carrier, w/7 1/4" dia. Gear w/7 1/4" dia. Gear, except Sta. Wgn.	6	—	—	—	1	1	—	—	—	—	—	—	2070 119
	w/8 1/4" dia. Gear, 1 5/8" dia. Stem, w/2.71 to 1 Ratio, w/318 Eng.	8	—	—	—	1	1	—	—	—	—	—	—	2070 119
	COVER, w/CLIP, w/9 3/4" dia. Gear, w/4 Speed Trans., w/426 and 440 H/Perf. Eng.	8	—	—	—	1	1	—	—	—	—	—	—	2852 921
	SCREW, Cover	8	—	—	—	10	10	10	10	—	—	—	—	2852 559
		8	—	—	—	10	10	10	10	—	—	—	—	180 075
3-03-30	GASKET, Carrier Cover, w/7 1/4" dia. Gear, R1, W1, except Sta. Wgn.		1	1	1	1	1	—	—	—	—	—	—	2070 120
	w/8 1/4" dia. Gear, 1 5/8" dia. Stem, w/2.71 to 1 Ratio, w/318 Eng.	8	—	—	—	1	1	—	—	—	—	—	—	2852 922
	w/9 3/4" dia. Gear, w/4 Speed Trans., w/426 and 440 H/Perf. Eng.	8	—	—	—	1	1	—	—	—	—	—	—	2515 343
3-03-31	NUT, Hsg. to Carrier Bolt, w/8 3/4" Dia. Gear, V2, B2, L2, D2		10	10	10	10	10	10	10	10	10	10	10	6027 412
3-03-35	PLUG, Carrier Cover Filler, w/7 1/4" Dia. Gear, R1, W1, Except Sta. Wgn.		1	1	1	1	1	—	—	—	—	—	—	1392 371
3-03-36	GASKET, Carrier Cover Filler Plug, w/7 1/4" dia. Gear, R1, W1, except Sta. Wgn.		1	1	1	1	1	—	—	—	—	—	—	2070 122
3-04-0 DIFFERENTIAL CASE														
3-04-6	CASE, w/o Sure-Grip, w/7 1/4" dia. Gear, R1, W1, except Sta. Wgn.		1	1	1	1	1	—	—	—	—	—	—	2404 193
	w/o Sure-Grip, w/8 3/4" dia. Gear, V2, B2, L2, D2, U.S. Blt.		1	1	1	1	1	1	1	1	1	1	1	2881 096
	w/o Sure-Grip, w/8 1/4" dia. Gear, 1 5/8" dia. Stem, w/2.71 to 1 ratio, w/318 Eng.	8	—	—	—	1	1	—	—	—	—	—	—	2852 880

TYPE LETTERS Indicates

B - Barracuda

V - Valiant
L - DartR - Belvedere
W - CoronetP - Plymouth
D - DodgeC - Chrysler
Y - Imperial

AR Indicates use as required.

Indicates parts not listed in any previous parts book.

Numerals in parentheses () refer to notes.

★ Indicates change or addition.

Printed in U.S.A.
January 1971

CODE	PART NAME	ENG. TYPE OR CU.IN.	V	B	L	R	W	P	D	C	C	C	Y	PART NUMBER
			1-2	1-2	1-2	1-2	1-2	1-2	1-2	1	2	3	1	
3-04-0 DIFFERENTIAL CASE Cont'd.														
3-04-6	CASE Cont'd. CASE w/CONE and CUP, w/8 3/4" dia. Gear, D2, Can. Blt. - U.S. Sold w/Sure-Grip, w/9 3/4" dia. Gear, w/4 Speed Trans., w/426 and 440 H/Perf. Eng.	8	—	—	—	—	—	—	1	1	—	—	—	3004 986
	w/o Sure-Grip, w/8 3/4" dia. Gear, Canada	—	—	—	—	—	—	—	1	1	—	—	—	3004 986
3-04-10	SCREW, Case, w/9 3/4" dia. Gear, w/Sure-Grip, w/4 Speed Trans., w/426 and 440 H/Perf. Eng.	8	—	—	—	8	8	—	—	—	—	—	—	1929 760
3-06-0 DIFFERENTIAL SIDE GEAR														
3-06-5	GEAR, w/o Sure-Grip, w/7 1/4" dia. Gear, R1, W1, except Sta. Wgn. w/o Sure-Grip, w/8 1/4" dia. Gear, 1 5/8" dia. Stem, w/2.71 to 1 Ratio, w/318 Eng.	8	2	2	2	2	2	—	—	—	—	—	—	2404 194
	w/o Sure-Grip, w/8 3/4" dia. Gear, V2, B2, L2, D2, O.D. of Long Hub or Neck 1.686	2	2	2	2	2	2	2	2	2	2	2	2	2404 202
	w/o Sure-Grip, w/8 3/4" dia. Gear, V2, B2, L2, D2, O.D. of Long Hub or Neck 1.688	2	2	2	2	2	2	2	2	2	2	2	2	2404 203
	w/Sure-Grip, w/9 3/4" dia. Gear, w/4 Speed Trans., w/426 and 440 H/Perf. Eng.	8	—	—	—	2	2	—	—	—	—	—	—	2800 149
3-06-6	WASHER, Thrust, w/7 1/4" dia. Gear, 1 3/8" dia. Stem, R1, W1, except Sta. Wgn.	2	2	2	2	2	—	—	—	—	—	—	—	2404 196
	w/8 3/4" dia. Gear, V2, B2, L2 w/8 1/4" dia. Gear, 1 5/8" dia. Stem, w/2.71 to 1 Ratio, w/318 Eng.	8	2	2	2	2	2	2	2	2	2	2	2	1633 960
	Eng.	8	—	—	—	2	2	—	—	—	—	—	—	2852 911
3-06-8	RETAINER, w/Sure-Grip, w/9 3/4" dia. Gear, w/4 Speed Trans., w/426 and 440 H/Perf. Eng.	8	—	—	—	2	2	—	—	—	—	—	—	2852 513
3-07-0 DIFFERENTIAL PINION														
3-07-1	PINION, w/o Sure-Grip, w/7 1/4" dia. Gear, R1, W1, except Sta. Wgn. w/o Sure-Grip, w/8 1/4" dia. Gear, 1 5/8" dia. Stem, w/2.71 to 1 Ratio, w/318 Eng.	8	2	2	2	2	2	—	—	—	—	—	—	2404 195
	w/o Sure-Grip, w/8 3/4" dia. Gear, V2, B2, L2	2	2	2	2	2	2	2	2	2	2	2	2	1633 959
	w/Sure-Grip, w/9 3/4" dia. Gear, w/4 Speed Trans., w/426 and 440 H/Perf. Eng.	8	—	—	—	4	4	—	—	—	—	—	—	2800 150
3-07-2	WASHER, w/o Sure-Grip, w/7 1/4" dia. Gear, R1, W1, except Sta. Wgn. w/o Sure-Grip, w/8 3/4" dia. Gear, V2, B2, L2, D2	2	2	2	2	2	—	—	—	—	—	—	—	2404 197
	w/o Sure-Grip, w/8 1/4" dia. Gear, 1 5/8" dia. Stem, w/2.71 to 1 Ratio, w/318 Eng.	8	2	2	2	2	—	—	—	—	—	—	—	1633 961
	Ratio, w/318 Eng.	8	—	—	—	2	2	—	—	—	—	—	—	2852 912

TYPE LETTERS Indicates B - Barracuda V - Valiant L - Dart R - Belvedere W - Coronet P - Plymouth D - Dodge C - Chrysler Y - Imperial

AR Indicates use as required. Numerals in parentheses () refer to notes. Printed in U.S.A. January 1971
Indicates parts not listed in any previous parts book. ★ Indicates change or addition.

CODE	PART NAME	ENG. TYPE OR CU.IN.	V	B	L	R	W	P	D	C	C	C	Y	PART NUMBER
			1-2	1-2	1-2	1-2	1-2	1-2	1-2	1	2	3	1	
3-08-0 DIFFERENTIAL PINION SHAFT														
3-08-1	SHAFT, w/o Sure-Grip, w/7 1/4" dia. Gear, R1, W1, except Sta. Wgn.		1	1	1	1	1	—	—	—	—	—	—	2404 198
	w/o Sure-Grip, w/8 3/4" dia. Gear, V2, B2, L2, D2		1	1	1	1	1	1	1	1	1	1	1	1633 928
	w/o Sure-Grip, w/8 1/4" dia. Gear, 1 5/8" dia. Stem, w/2.71 to 1 ratio, w/318 Eng.	8	—	—	—	2	2	—	—	—	—	—	—	2852 913
	w/Sure-Grip, w/9 3/4" dia. Gear, w/4 Speed Trans., w/426 and 440 H/Perf. Eng.	8	—	—	—	2	2	—	—	—	—	—	—	2852 516
	SCREW, Lock, w/8 1/4" dia. Gear		—	—	—	1	1	1	1	—	—	—	—	6028 045
3-08-2	PIN, Lock, w/7 1/4" dia. Gear, w/o Sure-Grip, R1, W1, except Sta. Wgn.		1	1	1	1	1	—	—	—	—	—	—	152 229
	w/8 3/4" dia. Gear, w/o Sure-Grip, V2, B2, L2, D2		1	1	1	1	1	1	1	1	1	1	1	455 313
3-09-0 DIFFERENTIAL CLUTCH PARTS														
3-09-1	DISC, Differential Clutch, w/Sure-Grip, w/9 3/4" dia. Gear, w/4 Speed Trans., w/426 and 440 H/Perf. Eng., Flat Type	8	—	—	—	2	2	—	—	—	—	—	—	1929 758
	Dished Type	8	—	—	—	2	2	—	—	—	—	—	—	2238 893
3-09-2	PLATE, Differential Clutch, w/Sure-Grip, w/9 3/4" dia. Gear, w/4 Speed Trans., w/426 and 440 H/Perf. Eng., Flat Type	8	—	—	—	4	4	—	—	—	—	—	—	1929 759
	Dished Type	8	—	—	—	2	2	—	—	—	—	—	—	2228 429
3-09-3	REPAIR KIT, Differential, w/Sure-Grip, w/9 3/4" dia. Gear, w/4 Speed Trans., w/426 and 440 H/Perf. Eng.	8	—	—	—	1	1	—	—	—	—	—	—	2852 523
3-11-0 DIFFERENTIAL BEARINGS														
3-11-1	CONE, w/ROLLERS, w/7 1/4" dia. Gear, R1, W1, except Sta. Wgn.		2	2	2	2	2	—	—	—	—	—	—	1937 771
	w/8 1/4" dia. Gear, 1 5/8" dia. Stem, 2.71 to 1 ratio, w/318 Eng.	8	—	—	—	2	2	—	—	—	—	—	—	1937 771
	w/8 3/4" dia. Gear, V2, B2, L2, D2, U.S. Blt., 2" I.D.		2	2	2	2	2	2	2	2	2	2	2	2852 729
	w/8 3/4" dia. Gear, 1 3/4" dia. Stem, D2, Can. Blt. - U.S. Sold		—	—	—	—	2	2	—	—	—	—	—	1790 523
	w/9 3/4" dia. Gear, w/4 Speed Trans. w/426 and 440 H/Perf. Eng.	8	—	—	—	2	2	—	—	—	—	—	—	1799 296
3-11-2	CUP, w/7 1/4" dia. Gear, R1, W1, except Sta. Wgn.		2	2	2	2	2	—	—	—	—	—	—	1937 770
	w/8 3/4" dia. Gear, V2, B2, L2, D2, U.S. Blt., 3 17/64" O.D.		2	2	2	2	2	2	2	2	2	2	2	2852 728
	w/8 1/4" dia. Gear, 1 5/8" dia. Stem, 2.71 to 1 ratio, w/318 Eng.	8	—	—	—	2	2	—	—	—	—	—	—	1937 770
	w/9 3/4" dia. Gear, w/4 Speed Trans., w/426 and 440 H/Perf. Eng.	8	—	—	—	2	2	—	—	—	—	—	—	1799 295
	w/8 3/4" dia. Gear, 1 3/4" dia. Stem, D2, Can. Blt. - U.S. Sold		—	—	—	—	2	2	—	—	—	—	—	698 403

TYPE LETTERS Indicates

B - Barracuda

V - Valiant
L - DartR - Belvedere
W - CoronetP - Plymouth
D - DodgeC - Chrysler
Y - Imperial

AR Indicates use as required.

Indicates parts not listed in any previous parts book.

Numerals in parentheses () refer to notes.

★ Indicates change or addition.

Printed in U.S.A.
January 1971

CODE	PART NAME	ENG. TYPE OR CU.IN.	V	B	L	R	W	P	D	C	C	C	Y	PART NUMBER
			1-2	1-2	1-2	1-2	1-2	1-2	1-2	1	2	3	1	
3-11-0 DIFFERENTIAL BEARING Cont'd.														
3-11-3	SPACER, Adj., w/7 1/4" dia. Gear, R1, W1, except Sta. Wgn.,													
	.2500" thk.		2	2	2	2	2	2	—	—	—	—	—	2070 848
	.2520" thk.		2	2	2	2	2	2	—	—	—	—	—	2070 849
	.2540" thk.		2	2	2	2	2	2	—	—	—	—	—	2070 082
	.2560" thk.		2	2	2	2	2	2	—	—	—	—	—	2070 441
	.2580" thk.		2	2	2	2	2	2	—	—	—	—	—	2070 442
	.2600" thk.		2	2	2	2	2	2	—	—	—	—	—	2070 084
	.2620" thk.		2	2	2	2	2	2	—	—	—	—	—	2070 443
	.2640" thk.		2	2	2	2	2	2	—	—	—	—	—	2070 444
	.2660" thk.		2	2	2	2	2	2	—	—	—	—	—	2070 086
	.2680" thk.		2	2	2	2	2	2	—	—	—	—	—	2070 445
	.2700" thk.		2	2	2	2	2	2	—	—	—	—	—	2070 446
	.2720" thk.		2	2	2	2	2	2	—	—	—	—	—	2070 088
	.2740" thk.		2	2	2	2	2	2	—	—	—	—	—	2070 447
	.2760" thk.		2	2	2	2	2	2	—	—	—	—	—	2070 448
	.2780" thk.		2	2	2	2	2	2	—	—	—	—	—	2070 090
	.2800" thk.		2	2	2	2	2	2	—	—	—	—	—	2070 449
	.2820" thk.		2	2	2	2	2	2	—	—	—	—	—	2070 450
	.2840" thk.		2	2	2	2	2	2	—	—	—	—	—	2070 092
	.2860" thk.		2	2	2	2	2	2	—	—	—	—	—	2070 696
	.2880" Thk.		2	2	2	2	2	2	—	—	—	—	—	2070 697
	.2900" thk.		2	2	2	2	2	2	—	—	—	—	—	2070 698
	.2920" thk.		2	2	2	2	2	2	—	—	—	—	—	2070 850
	.2940" thk.		2	2	2	2	2	2	—	—	—	—	—	2070 851
3-11-13	ADJUSTER, w/8 3/4" dia. Gear, V2, B2, L2		2	2	2	2	2	2	2	2	2	2	2	601 864
	w/8 1/4" dia. Gear, 1 5/8" dia. Stem, 2.71 to 1 Ratio, w/318 Eng.	8	—	—	—	2	2	—	—	—	—	—	—	2852 916
3-11-14	LOCK, Adj., w/8 3/4" dia. Gear, V2, B2, L2		2	2	2	2	2	2	2	2	2	2	2	308 247
	8 1/4" dia. Gear, 1 5/8" dia. Stem, 2.71 to 1 Ratio, w/318 Eng.	8	—	—	—	2	2	—	—	—	—	—	—	2852 917
	SCREW, Adj. Lock 5/16" - 18 x 1/2" Hex Hd.		2	2	2	2	2	2	2	2	2	2	2	181 082
	5/16"-18 x 5/8" Hex. Hd.	8	—	—	—	2	2	2	2	—	—	—	—	180 075
3-11-25	SHIM, Adj., w/9 3/4" dia. Gear, w/4 Speed Trans., w/426 and 440 H/Perf. Eng., .003" thk.	8	—	—	—	AR	AR	—	—	—	—	—	—	1795 152
	.005" thk.	8	—	—	—	AR	AR	—	—	—	—	—	—	1795 153

NOTES

TYPE LETTERS Indicates
 B - Barracuda V - Valiant R - Belvedere P - Plymouth C - Chrysler
 L - Dart W - Coronet D - Dodge Y - Imperial

AR Indicates use as required. Numerals in parentheses () refer to notes.
 # Indicates parts not listed in any previous parts book. ★ Indicates change or addition. Printed in U.S.A. January 1971

3-19-0 DRIVE GEAR AND PINION SET

NOTE: Differential Gear and Pinions are serviced by MATCHED SET numbers only. They are catalogued below in charted form by ratio. The chart includes other information such as Gear and Pinion numbers which generally are stamped on the item, and may be used as reference to confirm the correct Gear and Pinion Set they are contained in. The SET NUMBER must be ordered for replacement of either Gear or Pinion.

3-19-1 GEAR and PINION SET

RATIO	GEAR DIA.	STEM DIA.	GEAR NO.	PINION NO.	MODEL	SERVICE SET NUMBER
2.76 to 1	7 1/4"	1 3/8"	2800 275	2800 276	V,B,L	2800 281
2.93 to 1	7 1/4"	1 3/8"	2070 480	2643 201	V,B1,L,R1,W1	2643 204
3.23 to 1	7 1/4"	1 3/8"	2070 558	2643 202	V,B1,L,R1,W1	2643 205
3.55 to 1	7 1/4"	1 3/8"	2070 559	2643 203	V1,B1,L1	2643 206
3.91 to 1	7 1/4"	1 3/8"	2070 560	2467 131	V1,B1,L1	2467 135
2.71 to 1	8 1/4"	1 5/8"	2852 928	2852 929	R2,W2,P2,D2	2931 892
2.76 to 1	8 3/4"	1 3/8"	2070 684	2070 685	R2,W2,P2,D2	2070 689
2.94 to 1	8 3/4"	1 3/8"	2643 118	2643 102	R,W,P, D2	2643 103
2.94 to 1	8 3/4"	1 3/8"	2643 118	2931 662	R,W,P,D	3432 619
3.23 to 1	8 3/4"	1 3/8"	2070 611	2070 612	V2,B2,L2,R,	
					W,P,D2	2070 816
3.23 to 1	8 3/4"	1 3/8"	2070 611	2931 663	V2,L2,B2,R,W,P,D2	3432 620
3.55 to 1	8 3/4"	1 3/8"	2070 898	2070 899	R,W,P,D2	2070 915
3.55 to 1	8 3/4"	1 3/8"	2070 898	2931 664	R,W,P,D2	3432 621
3.91 to 1	8 3/4"	1 3/8"	2070 225	2070 226	R,W	2070 300
3.91 to 1	8 3/4"	1 3/8"	2070 225	2931 665	R,W	3432 622
2.76 to 1	8 3/4"	1 3/8"	2070 684	2070 686	P,D2,Can. Blt.	
					U.S. Sold, R2,	
					W2	2070 690
2.76 to 1	8 3/4"	1 3/8"	2070 684	2070 686	P,D, Canada	2070 690
2.94 to 1	8 3/4"	1 3/4"	2643 118	2643 119	P,D2,Can. Blt.	
					U.S. Sold, R,W	2643 120
2.94 to 1	8 3/4"	1 3/4"	2852 738	2852 739	P,D2,Can. Blt.	
					U.S.Sold	2852 740
3.23 to 1	8 3/4"	1 3/4"	2070 611	2070 613	P,D2,Can. Blt.-	
					U.S. Sold, R,W	2070 817
3.23 to 1	8 3/4"	1 3/4"	2070 611	2070 613	P,D,Canada	2070 817
3.23 to 1	8 3/4"	1 3/4"	2800 270	2800 271	P,D2, Can. Blt.-	
					U.S. Sold, R2, W2	2800 274
3.55 to 1	8 3/4"	1 3/4"	2070 898	2070 900	P,D2, Can. Blt.	
					U.S. Sold	2070 916
3.91 to 1	8 3/4"	1 3/4"	2070 225	2404 126	P,D2,Can. Blt.	
					U.S.Sold	2404 127
2.76 to 1	8 3/4"	1 7/8"	2070 684	2881 452	P2,D2,C	2881 466
2.94 to 1	8 3/4"	1 7/8"	2852 738	2881 464	R,W,Y	2881 497
3.23 to 1	8 3/4"	1 7/8"	2800 270	2881 465	R,W,P,D2,C	2881 498
3.55 to 1	8 3/4"	1 7/8"	2881 325	2931 877	V2,B2,L2,	
					R2,W2	2931 878
3.91 to 1	8 3/4"	1 7/8"	2070 225	2881 460	V2,B2,L2	3432 217
3.91 to 1	8 3/4"	1 7/8"	3432 215	3432 216	R2,W2	3432 217
3.54 to 1	9 3/4"	---	2852 531	2852 537	R2, W2	2852 575

NOTES

TYPE LETTERS Indicates

B - Barracuda

V - Valiant
L - DartR - Belvedere
W - CoronetP - Plymouth
D - DodgeC - Chrysler
Y - Imperial

AR Indicates use as required.

Indicates parts not listed in any previous parts book.

Numerals in parentheses () refer to notes.

★ Indicates change or addition.

Printed in U.S.A.
January 1971

CODE	PART NAME	ENG. TYPE OR CU.IN.	V	B	L	R	W	P	D	C	C	C	Y	PART NUMBER
			1-2	1-2	1-2	1-2	1-2	1-2	1-2	1	2	3	1	
3-19-0 DRIVE GEAR AND PINION SET Cont'd.														
3-19-15	BOLT, w/WASHER, Drive Pinion Carrier Cover, 9 3/4" Dia. Gear, w/4 Speed Trans.	8	—	—	—	10	10	—	—	—	—	—	—	2231 856
3-20-0 DRIVE GEAR BOLT OR SCREW														
3-20-1	BOLT or SCREW, w/7 1/4" dia. Gear, R1, W1, Except Sta. Wgn.	8	8	8	8	8	—	—	—	—	—	—	—	2881 499
	w/8 3/4" Dia. Gear, V2, B2, L2, D2	12	12	12	12	12	12	12	12	12	12	12	12	2881 499
	w/8 1/4" dia. Gear, w/2.71 to 1 Ratio, w/318 Eng.	8	—	—	—	10	10	—	—	—	—	—	—	2881 499
	9 3/4" dia. Gear, w/Sure-Grip, w/4 Speed Trans., w/426 and 440 Eng.	8	—	—	—	12	12	—	—	—	—	—	—	1795 170
3-22-0 DRIVE PINION BEARINGS														
3-22-24	CONE, w/ROLLERS, Frt. Brg., w/7 1/4" dia. Gear, 1 3/8" dia. Stem, R1, W1, except Sta. Wgn.	4	1	1	1	1	1	—	—	—	—	—	—	2070 316
	Rr.		1	1	1	1	1	—	—	—	—	—	—	2070 318
	Frt., w/8 1/4" dia. Gear, 1 5/8" dia. Stem, w/2.71 to 1 ratio, w/318 Eng.	8	—	—	—	1	1	—	—	—	—	—	—	2070 316
	Rr.	8	—	—	—	1	1	—	—	—	—	—	—	2800 484
	Frt., w/8 3/4" dia. Gear, w/1 3/8" and 1 7/8" dia. Stem	8	1	1	1	—	—	—	—	—	—	—	—	1820 552
	Rr., w/1 3/8" dia. Stem	8	1	1	1	1	1	1	1	1	1	1	1	1401 809
	Rr., w/1 7/8" Dia. Stem		1	1	1	1	1	1	1	1	1	1	1	2852 731
	Frt. w/8 3/4" dia. Gear, w/1 3/8", 1 3/4" and 1 7/8" dia. Stem		—	—	—	1	1	—	—	—	—	—	—	1820 552
	w/1 3/4" dia. Gear, D2		—	—	—	—	—	1	1	—	—	—	—	1401 808
	w/1 3/4" dia. Stem, Canada		—	—	—	—	—	1	1	—	—	—	—	1401 808
	Rr., w/1 3/4" Dia. Stem		—	—	—	1	1	—	—	—	—	—	—	2852 731
	D2		—	—	—	—	—	1	1	—	—	—	—	2808 226
	w/1 3/4" dia. Stem, Canada		—	—	—	—	—	1	1	—	—	—	—	2808 226
	Frt., w/8 3/4" dia. Gear, w/1 3/8" and 1 7/8" dia. Stem, D2		—	—	—	—	—	1	1	1	1	1	1	1820 552
	Frt., w/9 3/4" dia. Gear, w/4 Speed Trans., w/426 and 440 H/Perf. Eng.	8	—	—	—	1	1	—	—	—	—	—	—	1799 300
	Rr.	8	—	—	—	1	1	—	—	—	—	—	—	1327 846
3-22-25	CUP, Frt. Brg., w/7 1/4" dia. Gear, 1 3/8" dia. Stem, R1, W1, except Sta. Wgn.		1	1	1	1	1	—	—	—	—	—	—	2070 317
	Rr.		1	1	1	1	1	—	—	—	—	—	—	2070 319
	Frt., w/8 1/4" dia. Gear, 1 5/8" dia. Stem, w/2.71 to 1 ratio, w/318 Eng.	8	—	—	—	1	1	—	—	—	—	—	—	2070 317
	Rr.	8	—	—	—	1	1	—	—	—	—	—	—	2800 485
	Frt., w/8 3/4" dia. Gear, w/1 3/8" and 1 7/8" dia. Stem	8	1	1	1	—	—	—	—	—	—	—	—	1820 551
	Rr., w/1 3/8" dia. Stem, V2, B2, L2, D2		1	1	1	1	1	1	1	1	1	1	1	1401 810
	Rr., w/1 7/8" Dia. Stem	8	1	1	1	—	—	—	—	—	—	—	—	2852 732
	Frt., w/8 3/4" dia. Gear, w/1 3/8", 1 3/4" and 1 7/8" dia. Stem		—	—	—	1	1	—	—	—	—	—	—	1820 551
	w/1 3/4" dia. Stem, D2		—	—	—	—	—	1	1	—	—	—	—	1401 810
	w/1 3/4" dia. Stem, Canada		—	—	—	—	—	1	1	—	—	—	—	1401 810
	Rr., w/1 3/4" and 1 7/8" Dia. Stem.		—	—	—	1	1	—	—	—	—	—	—	2852 732
	w/1 3/4" dia. Stem, D2		—	—	—	—	—	1	1	—	—	—	—	1327 847
	W/1 3/4" dia. Stem, Canada		—	—	—	—	—	1	1	—	—	—	—	1327 847

TYPE LETTERS Indicates V - Valiant L - Dart R - Belvedere W - Coronet P - Plymouth D - Dodge C - Chrysler Y - Imperial B - Barracuda

AR Indicates use as required. # Indicates parts not listed in any previous parts book. Numerals in parentheses () refer to notes. ★ Indicates change or addition. Printed in U.S.A. January 1971

CODE	PART NAME	ENG. TYPE OR CU.IN.	V	B	L	R	W	P	D	C	C	C	Y	PART NUMBER
			1-2	1-2	1-2	1-2	1-2	1-2	1-2	1	2	3	1	
3-22-0 DRIVE PINION BEARINGS Cont'd.														
3-22-25	CUP Cont'd.													
	Frnt., w/8 3/4" dia. Gear, 1 3/8" and 1 7/8" dia. Stem, D2, U.S. Blt.		—	—	—	—	—	—	1	1	1	1	1	1820 551
	Rr., w/1 7/8" dia. Stem, D2, U.S. Blt.		—	—	—	—	—	—	1	1	1	1	1	2852 732
	Frnt., w/9 3/4" dia. Gear, w/4 Speed Trans., w/426 and 440 H/Perf. Eng.	8	—	—	—	1	1	—	—	—	—	—	—	1799 299
	Rr.	8	—	—	—	1	1	—	—	—	—	—	—	1327 847
3-22-26	SPACER, Frnt. Brg. Adj., w/7 1/4" dia. Gear, 1 3/8" dia. Stem, R1, W1, except Sta. Wgn., .074" thk.		AR	AR	AR	AR	AR	—	—	—	—	—	—	2070 094
	.075" Thk.		AR	AR	AR	AR	AR	—	—	—	—	—	—	2070 454
	.076" thk.		AR	AR	AR	AR	AR	—	—	—	—	—	—	2070 095
	.077" thk.		AR	AR	AR	AR	AR	—	—	—	—	—	—	2070 455
	.078" thk.		AR	AR	AR	AR	AR	—	—	—	—	—	—	2070 096
	.079" thk.		AR	AR	AR	AR	AR	—	—	—	—	—	—	2070 456
	.080" thk.		AR	AR	AR	AR	AR	—	—	—	—	—	—	2070 097
	.081" thk.		AR	AR	AR	AR	AR	—	—	—	—	—	—	2070 457
	.082" thk.		AR	AR	AR	AR	AR	—	—	—	—	—	—	2070 098
	.083" thk.		AR	AR	AR	AR	AR	—	—	—	—	—	—	2070 458
	.084" thk.		AR	AR	AR	AR	AR	—	—	—	—	—	—	2070 099
	.085" thk.		AR	AR	AR	AR	AR	—	—	—	—	—	—	2070 459
	.086" thk.		AR	AR	AR	AR	AR	—	—	—	—	—	—	2070 100
	.087" thk.		AR	AR	AR	AR	AR	—	—	—	—	—	—	2070 460
	.088" thk.		AR	AR	AR	AR	AR	—	—	—	—	—	—	2070 101
	.089" thk.		AR	AR	AR	AR	AR	—	—	—	—	—	—	2070 461
	.090" thk.		AR	AR	AR	AR	AR	—	—	—	—	—	—	2070 102
	.091" thk.		AR	AR	AR	AR	AR	—	—	—	—	—	—	2070 462
	.092" thk.		AR	AR	AR	AR	AR	—	—	—	—	—	—	2070 103
	.093" thk.		AR	AR	AR	AR	AR	—	—	—	—	—	—	2070 463
	.094" thk.		AR	AR	AR	AR	AR	—	—	—	—	—	—	2070 104
	.095" thk.		AR	AR	AR	AR	AR	—	—	—	—	—	—	2070 464
	.096" thk.		AR	AR	AR	AR	AR	—	—	—	—	—	—	2070 105
	.097" thk.		AR	AR	AR	AR	AR	—	—	—	—	—	—	2070 465
	.098" thk.		AR	AR	AR	AR	AR	—	—	—	—	—	—	2070 106
	.099" thk.		AR	AR	AR	AR	AR	—	—	—	—	—	—	2070 466
	.100" thk.		AR	AR	AR	AR	AR	—	—	—	—	—	—	2070 107
	.101" thk.		AR	AR	AR	AR	AR	—	—	—	—	—	—	2070 467
	.102" thk.		AR	AR	AR	AR	AR	—	—	—	—	—	—	2070 108
	.103" thk.		AR	AR	AR	AR	AR	—	—	—	—	—	—	2070 468
	.104" thk.		AR	AR	AR	AR	AR	—	—	—	—	—	—	2070 109
	.105" thk.		AR	AR	AR	AR	AR	—	—	—	—	—	—	2070 469
	.106" thk.		AR	AR	AR	AR	AR	—	—	—	—	—	—	2070 110
	Frnt., Brg. Adj., w/8 3/4" dia. Gear 1 3/4" and 1 7/8" dia. Stem Collapsible Type	1	1	1	1	1	1	1	1	1	1	1	1	2931 687
	Rr. Brg., w/8 3/4" dia. Gear, 1 3/8" dia. Stem, V2, B2, L2, P, D2, 2 11/16" lgh.		1	1	1	1	1	1	1	—	—	—	—	1738 826
	SPACER, Drive Pinion Brg., Adj., w/8 1/4" dia. Gear, 1 5/8" dia. Stem, 2.71 to 1 ratio, w/318 Eng., Collapsible Type		—	—	—	1	1	—	—	—	—	—	—	2931 874
3-22-27	WASHER, Rr. Brg., w/7 1/4 and 8 3/4" dia. Gear, w/1 3/8" dia. Stem, D2, .084" thk.		AR	AR	AR	AR	AR	AR	AR	—	—	—	—	1738 794
	.086" thk.		AR	AR	AR	AR	AR	AR	AR	—	—	—	—	1738 795
	.088" thk.		AR	AR	AR	AR	AR	AR	AR	—	—	—	—	1738 796

TYPE LETTERS Indicates

B - Barracuda

V - Valiant
L - DartR - Belvedere
W - CoronetP - Plymouth
D - DodgeC - Chrysler
Y - Imperial

AR Indicates use as required.

Indicates parts not listed in any previous parts book.

Numerals in parentheses () refer to notes.

★ Indicates change or addition.

Printed in U.S.A.
January 1971

CODE	PART NAME	ENG.	V	B	L	R	W	P	D	C	C	C	Y	PART NUMBER
		TYPE OR CU.IN.	1-2	1-2	1-2	1-2	1-2	1-2	1-2	1	2	3	1	

3-22-0 DRIVE PINION BEARINGS Cont'd.

3-22-27	WASHER, Cont'd.													
	.090" thk.		AR	AR	AR	AR	AR	AR	AR	AR	AR	AR	AR	1738 797
	.092" thk.		AR	AR	AR	AR	AR	AR	AR	AR	AR	AR	AR	1738 798
	.094" thk.		AR	AR	AR	AR	AR	AR	AR	AR	AR	AR	AR	1738 799
	.096" thk.		AR	AR	AR	AR	AR	AR	AR	AR	AR	AR	AR	1738 800
	.098" thk.		AR	AR	AR	AR	AR	AR	AR	AR	AR	AR	AR	1738 801
	.100" thk.		AR	AR	AR	AR	AR	AR	AR	AR	AR	AR	AR	1738 802
	w/8 3/4" dia. Gear, 1 3/4" dia. Stem, D2, Can. Blt. - U.S. Sold and Canada													
	.084" thk.								1	1				1738 812
	.086" thk.								1	1				1738 813
	.088" thk.								1	1				1738 814
	.090" thk.								1	1				1738 815
	.092" thk.								1	1				1738 816
	.094" thk.								1	1				1738 817
	.096" thk.								1	1				1738 818
	.098" thk.								1	1				1738 819
	.100" thk.								1	1				1738 820
3-22-28	SHIM, Frt. Brg. Adj., w/8 3/4" dia. Gear, w/1 3/8" dia. Stem, V2, B2, L2, D2, .014" Thk., 1 19/32" O.D.		2	2	2	2	2	2	2	2				1820 703
	.016" thk.		2	2	2	2	2	2	2	2				1820 704
	.018" thk.		2	2	2	2	2	2	2	2				1820 705
	.020" thk.		2	2	2	2	2	2	2	2				1820 706
	.022" thk.		2	2	2	2	2	2	2	2				1828 725
	.024" thk.		2	2	2	2	2	2	2	2				1829 440
	.026" thk.		2	2	2	2	2	2	2	2				1829 441
	Frt., w/8 1/4" dia. Gear, 1 5/8" dia. Stem, 2.71 to 1 Ratio, w/318 Eng. .020" Thk., 1 17/32" O.D.	8				1	1							2931 817
	Rr., w/8 1/4" dia. Gear, 1 5/8" dia. Stem, w/2.71 to 1 ratio, w/318 Eng., 3 3/32" O.D. .060" Thk.	8				1	1							2931 960
	.061" Thk.	8				1	1							2931 961
	.062" Thk.	8				1	1							2931 962
	.063" Thk.	8				1	1							2931 963
	.064" Thk.	8				1	1							2931 964
	.065" Thk.	8				1	1							2931 965
	.066" Thk.	8				1	1							2931 966
	.067" Thk.	8				1	1							2931 967
	.068" Thk.	8				1	1							2931 968
	.069" Thk.	8				1	1							2931 969
	.070" Thk.	8				1	1							2931 970
	.071" Thk.	8				1	1							2931 971
	.072" Thk.	8				1	1							2931 972
	.073" Thk.	8				1	1							2931 973
	.074" Thk.	8				1	1							2931 974
	.075" Thk.	8				1	1							2931 975
	.076" Thk.	8				1	1							2931 976
	.077" Thk.	8				1	1							2931 977
	.078" Thk.	8				1	1							2931 978
	Frt., w/8 3/4" dia. Gear, 1 7/8" dia. Stem, V2, B2, L2 .020" thk.		1	1	1			1	1	1	1	1	1	2931 818
	Rr., w/8 3/4" dia. Gear, 1 3/4" and 1 7/8" dia. Stem, V2, B2, L2, D2, .020" Thk., U.S. Blt., 2 45/64", w/3 Inside Tabs O.D.		2	2	2	2	2	2	2	2	2	2	2	3432 320

TYPE LETTERS Indicates	B - Barracuda	V - Valiant L - Dart	R - Belvedere W - Coronet	P - Plymouth D - Dodge	C - Chrysler Y - Imperial
------------------------	---------------	-------------------------	------------------------------	---------------------------	------------------------------

AR Indicates use as required.
Indicates parts not listed in any previous parts book.

Numerals in parentheses () refer to notes.
★ Indicates change or addition.

Printed in U.S.A.
January 1971

CODE	PART NAME	ENG. TYPE OR CU.IN.	V	B	L	R	W	P	D	C	C	C	Y	PART NUMBER
			1-2	1-2	1-2	1-2	1-2	1-2	1-2	1	2	3	1	
3-22-0 DRIVE PINION BEARINGS Cont'd.														
3-22-28	SHIM Cont'd.													
	.021" Thk.		2	2	2	2	2	2	2	2	2	2	2	3432 321
	.022" Thk.		2	2	2	2	2	2	2	2	2	2	2	3432 322
	.023" Thk.		2	2	2	2	2	2	2	2	2	2	2	3432 323
	.024" Thk.		2	2	2	2	2	2	2	2	2	2	2	3432 324
	.025" Thk.		2	2	2	2	2	2	2	2	2	2	2	3432 325
	.026" Thk.		2	2	2	2	2	2	2	2	2	2	2	3432 326
	.027" Thk.		2	2	2	2	2	2	2	2	2	2	2	3432 327
	.028" Thk.		2	2	2	2	2	2	2	2	2	2	2	3432 328
	.029" Thk.		2	2	2	2	2	2	2	2	2	2	2	3432 329
	.030" Thk.		2	2	2	2	2	2	2	2	2	2	2	3432 330
	.3031" Thk., 3 3/8" O.D., w/o Tabs		2	2	2	2	2	2	2	2	2	2	2	2931 931
	.032" Thk.		2	2	2	2	2	2	2	2	2	2	2	3432 332
	.033" Thk., 3 3/8" O.D., w/o Tabs		2	2	2	2	2	2	2	2	2	2	2	2931 933
	.034" Thk.		2	2	2	2	2	2	2	2	2	2	2	3432 334
	.035" Thk., 3 3/8" O.D., w/o Tabs		2	2	2	2	2	2	2	2	2	2	2	2931 935
	.036" Thk., 3 3/8" O.D., w/o Tabs.		2	2	2	2	2	2	2	2	2	2	2	2931 936
	.037" Thk., 3 3/8" O.D., w/o Tabs		2	2	2	2	2	2	2	2	2	2	2	2931 937
	.038" Thk.		2	2	2	2	2	2	2	2	2	2	2	3432 338
	Frnt., w/8 3/4" Dia. Gear, 1 3/4"													
	Dia. Stem, D2, .016" Thk., Can. Blt. -													
	U.S. Sold		—	—	—	—	—	1	1	—	—	—	—	1738 806
	.018"		—	—	—	—	—	1	1	—	—	—	—	1738 807
	.022" thk.		—	—	—	—	—	1	1	—	—	—	—	1829 442
	.024" thk.		—	—	—	—	—	1	1	—	—	—	—	1829 443
	.026" thk.		—	—	—	—	—	1	1	—	—	—	—	1829 444
	w/8 3/4" dia. Gear, 1 3/4" dia.													
	Stem, Canada, .014" thk.		—	—	—	—	—	1	1	—	—	—	—	1738 805
	.016" thk.		—	—	—	—	—	1	1	—	—	—	—	1738 806
	.018" thk.		—	—	—	—	—	1	1	—	—	—	—	1738 807
	.022" thk.		—	—	—	—	—	1	1	—	—	—	—	1829 442
	.024" thk.		—	—	—	—	—	1	1	—	—	—	—	1829 443
	.026" thk.		—	—	—	—	—	1	1	—	—	—	—	1829 444
	w/9 3/4" dia. Gear, Frnt., w/4 Speed													
	Trans., .014" thk.	8	—	—	—	2	2	—	—	—	—	—	—	2881 085
	.015" Thk.	8	—	—	—	2	2	—	—	—	—	—	—	2881 181
	.016" thk.	8	—	—	—	2	2	—	—	—	—	—	—	2881 086
	.018" thk.	8	—	—	—	2	2	—	—	—	—	—	—	2881 087
	.020" thk.	8	—	—	—	2	2	—	—	—	—	—	—	2881 088
	.021" Thk.	8	—	—	—	2	2	—	—	—	—	—	—	2881 182
	.022" thk.	8	—	—	—	2	2	—	—	—	—	—	—	2881 089
	.023" Thk.	8	—	—	—	2	2	—	—	—	—	—	—	2881 183
	Rr., .003" thk.	8	—	—	—	2	2	—	—	—	—	—	—	1922 314
	.005" thk.	8	—	—	—	2	2	—	—	—	—	—	—	1922 315
3-22-40	SLINGER, Frnt. Brg. Oil, w/9 3/4"													
	dia. Gear, w/4 Speed Trans.	8	—	—	—	—	1	1	—	—	—	—	—	1795 193
3-22-45	OIL SEAL, Frnt. Brg., w/7 1/4" dia.													
	Gear, 1 3/8" dia. Stem, R1, W1,													
	Except Sta. Wgn., 2 51/64" O.D.		1	1	1	1	1	—	—	—	—	—	—	2070 113
	Frnt., Brg., w/7 1/4" dia. Gear,													
	1 3/8" dia. Stem, R1, W1, Except													
	Sta. Wgn., 3 5/32" O.D.		1	1	1	1	1	—	—	—	—	—	—	2881 041
	Frnt., w/8 3/4" dia. Gear, V2, B2,													
	L2, D2, O.D., U.S. Blt.		1	1	1	1	1	1	1	1	1	1	1	2931 862
	Frnt., w/8 1/4" dia. Gear, 1 5/8" dia.													
	Stem, w/2.71 to 1 Ratio, w/318 Eng.,													
	3 5/32" O.D.	8	—	—	—	1	1	—	—	—	—	—	—	2881 041
	Frnt., w/9 3/4" dia. Gear, w/4 Speed													
	Trans., w/426 and 440 H/Perf. Eng.	8	—	—	—	1	1	—	—	—	—	—	—	2512 254

TYPE LETTERS Indicates

B - Barracuda

V - Valiant
L - DartR - Belvedere
W - CoronetP - Plymouth
D - DodgeC - Chrysler
Y - Imperial

AR Indicates use as required.

Indicates parts not listed in any previous parts book.

Numerals in parentheses () refer to notes.

★ Indicates change or addition.

Printed in U.S.A.
January 1971

CODE	PART NAME	ENG. TYPE OR CU.IN.	V	B	L	R	W	P	D	C	C	C	Y	PART NUMBER
			1-2	1-2	1-2	1-2	1-2	1-2	1-2	1	2	3	1	
3-22-0 DRIVE PINION BEARINGS Cont'd.														
3-22-45	OIL SEAL Cont'd. w/8 3/4" Dia. Gear, 1 3/4" dia. stem, D2, 3 17/64" O.D., Can. Blt. - U.S. Sold w/8 3/4" dia. Gear, 1 3/4" dia. Stem, Canada		—	—	—	—	—	—	1	1	—	—	—	1828 719
			—	—	—	—	—	—	1	1	—	—	—	1828 719
3-22-78	GASKET, Frt. Brg. Oil Seal, w/9 3/4" dia. Gear, w/4 Speed Trans., w/426 and 440 H/Perf. Eng.	8	—	—	—	1	1	—	—	—	—	—	—	1791 591

3-32-0 DRIVE SHAFT

3-32-1	SHAFT, w/7 1/4" dia. Gear		2	2	2	—	—	—	—	—	—	—	—	2404 442
	w/8 3/4" dia. Gear	8	2	2	2	—	—	—	—	—	—	—	—	2800 182
	w/8 3/4" dia. Gear		—	—	—	2	2	—	—	—	—	—	—	2852 826
	w/7 1/4" dia. Gear, except Sta. Wgn.	6	—	—	—	2	2	—	—	—	—	—	—	2643 461
	w/8 1/4" dia. Gear, 1 5/8" dia. Stem, w/2.71 to 1 Ratio, w/318 Eng.	8	—	—	—	2	2	—	—	—	—	—	—	2852 884
	w/9 3/4" dia. Gear, w/4 Speed Trans., w/426 and 440 H/Perf. Eng., Rt.	8	—	—	—	1	1	—	—	—	—	—	—	2881 010
	Lt.	8	—	—	—	1	1	—	—	—	—	—	—	2881 011
	w/8 3/4" dia. Gear, Sta. Wgn., D2 w/8 3/4" dia. Gear, Except Sta. Wgn., 29 31/32" Lgh., From Outer Edge of Flange to End of Shaft (Also Specify 1-3420084 Bolt Pkg.)		—	—	—	—	—	2	2	2	2	2	—	3432 780
	w/8 3/4" dia. Gear, w/o Studs, 30 17/63" Lgh.	8	—	—	—	—	—	—	—	—	—	—	2	2467 388
	Retainer, V2, B2, L2, D2		2	2	2	2	2	2	2	2	2	2	2	6026 648
3-32-8	BLOCK, Thrust, w/8 3/4" dia. Gear, w/o Sure-Grip, V2, B2, L2, D2		1	1	1	1	1	1	1	1	1	1	1	2467 268
3-32-9	SPACER, Thrust Block, w/Sure-Grip, w/9 3/4" dia. Gear, w/4 Speed Trans., w/426 and 440 H/Perf. Eng.	8	—	—	—	2	2	—	—	—	—	—	—	2852 517
3-32-12	RIVET, Thrust Spacer, w/9 3/4" dia. Gear, w/4 Speed Trans.	8	—	—	—	1	1	—	—	—	—	—	—	104 148

3-33-0 DRIVE SHAFT BEARINGS

3-33-1	BEARING, w/COLLAR, w/7 1/4" dia. Gear, 1 3/8" dia. Stem		2	2	2	—	—	—	—	—	—	—	—	2421 349
	BEARING, COLLAR and CUP PACKAGE, w/8 3/4" dia. Gear, V2, B2, L2, D2		2	2	2	2	2	2	2	2	2	2	—	2525 415
	w/8 3/4" dia. Gear	8	—	—	—	—	—	—	—	—	—	—	2	2808 586
	w/9 3/4" dia. Gear, w/4 Speed Trans.	8	—	—	—	2	2	—	—	—	—	—	—	2525 415
	BEARING and COLLAR PACKAGE, 7 1/4" dia. Gear, 1 3/8" dia. Stem, except Sta. Wgn.	6	—	—	—	2	2	—	—	—	—	—	—	2808 272
	BEARING, w/COLLAR, w/8 1/4" dia. Gear, 1 5/8" dia. Stem, w/2.71 to 1 Ratio, w/318 Eng.	8	—	—	—	2	2	—	—	—	—	—	—	2852 949
3-33-5	ADJUSTER, Brg., V2, B2, L2, w/8 3/4" Rt. and 9 3/4" dia. Gear		1	1	1	1	1	1	1	1	1	1	1	2404 160

TYPE LETTERS Indicates

B - Barracuda

V - Valiant
L - Dart

R - Belvedere
W - Coronet

P - Plymouth
D - Dodge

C - Chrysler
Y - Imperial

AR Indicates use as required.

Indicates parts not listed in any previous parts book.

Numerals in parentheses () refer to notes.

★ Indicates change or addition.

Printed in U.S.A.
January 1971

1969 PASSENGER CAR PARTS CATALOG

REAR AXLE

CODE	PART NAME	ENG. TYPE OR CU.IN.	V	B	L	R	W	P	D	C	C	C	Y	PART NUMBER
			1-2	1-2	1-2	1-2	1-2	1-2	1-2	1	2	3	1	
3-33-0 DRIVE SHAFT BEARINGS Cont'd.														
3-33-6	LOCK, Brg. Adj., V2, B2, L2, w/8 3/4" and 9 3/4" dia. Gear, Rt.		1	1	1	1	1	1	1	1	1	1	1	2467 166
	Drive Shaft, w/8 1/4" dia. Gear, 1 5/8" dia. Stem, 2.71 to 1 Ratio	8	—	—	—	2	2	—	—	—	—	—	—	2852 883
3-33-8	RETAINER, Brg., w/7 1/4" dia. Gear, w/o Slot on Outer Edge	6	2	2	2	—	—	—	—	—	—	—	—	2467 096
	w/Slot on Outer Edge		2	2	2	—	—	—	—	—	—	—	—	2467 459
	w/8 3/4" dia. Gear, V2, B2, L2, D2, Rt.		1	1	1	1	1	1	1	1	1	1	1	2404 115
	Lt.		1	1	1	1	1	1	1	1	1	1	1	2404 475
	w/7 1/4" dia. Gear, except Sta. Wgn., w/1 61/64" I.D., Center Hole, w/Slot on Outer Edge	6	—	—	—	2	2	—	—	—	—	—	—	2800 437
	w/9 3/4" dia. Gear, w/4 Speed Trans., Rt.	8	—	—	—	1	1	—	—	—	—	—	—	2404 115
	Lt.	8	—	—	—	1	1	—	—	—	—	—	—	2404 475
3-33-10	GASKET, Brg. Retainer, w/8 3/4" dia. Gear, V2, B2, L2, D2, 4 5/8" width, Steel		2	2	2	2	2	2	2	2	2	2	2	2070 933
	w/8 3/4" dia. Gear, D2, 4 1/4" width		—	—	—	2	2	2	2	2	2	2	2	2881 314
	w/9 3/4" dia. Gear, w/4 Speed Trans., 4 5/8" wide	8	—	—	—	2	2	—	—	—	—	—	—	2070 933

3-35-0 DRIVE SHAFT OIL SEAL

3-35-14	OIL SEAL, Brg., w/7 1/4" dia. Gear w/8 3/4" dia. Gear, V2, B2, L2, D2, Inner		2	2	2	—	—	—	—	—	—	—	—	2404 052
	Outer		2	2	2	2	2	2	2	2	2	2	2	2404 215
	w/7 1/4" dia. Gear, except Sta. Wgn.	6	—	—	—	2	2	—	—	—	—	—	—	2404 216
	w/8 1/4" dia. Gear, 1 5/8" dia. Stem, w/2.71 to 1 ratio, w/318 Eng.,		—	—	—	2	2	—	—	—	—	—	—	2643 464
	w/9 3/4" dia. Gear, w/4 Speed Trans., w/426 and 440 H/Perf. Eng., Inner	8	—	—	—	2	2	—	—	—	—	—	—	2852 948
	Outer	8	—	—	—	2	2	—	—	—	—	—	—	2852 574
		8	—	—	—	2	2	—	—	—	—	—	—	2404 216

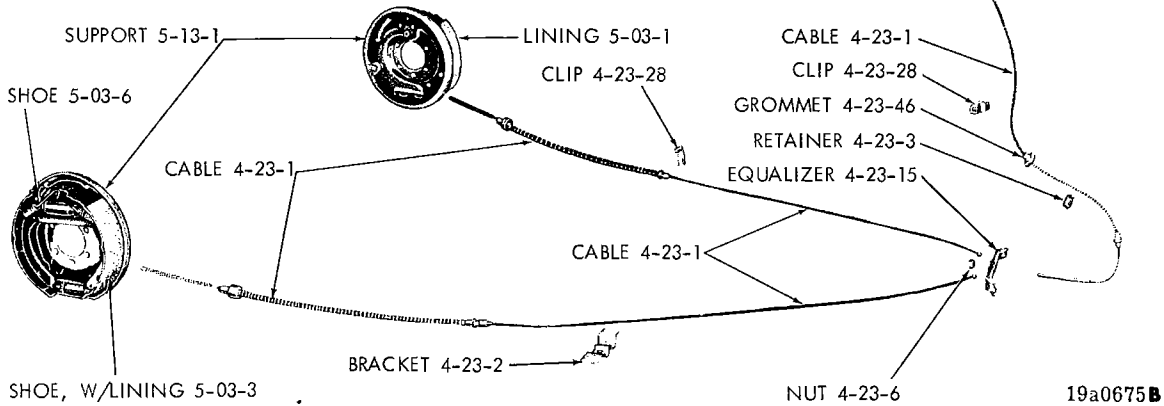
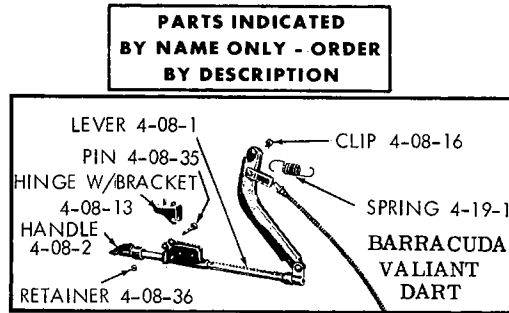
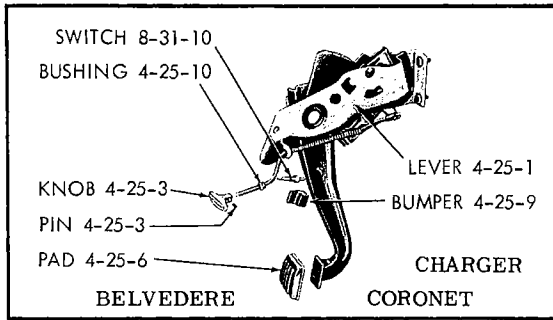
NOTES

TYPE LETTERS Indicates

B - Barracuda	V - Valiant	R - Belvedere	P - Plymouth	C - Chrysler
	L - Dart	W - Coronet	D - Dodge,	Y - Imperial

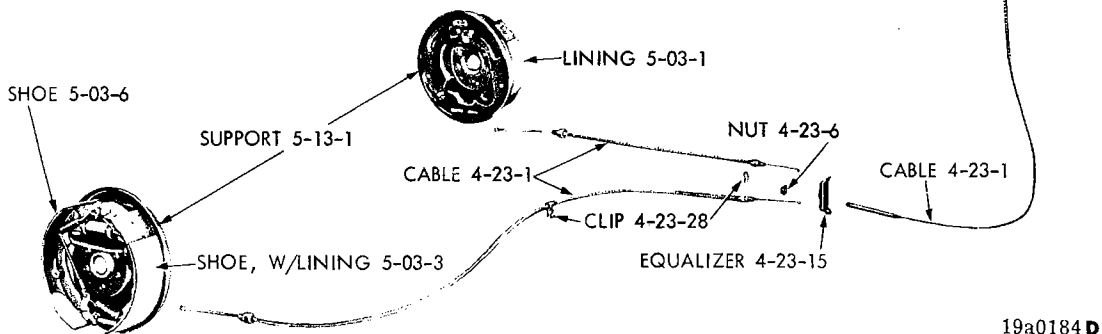
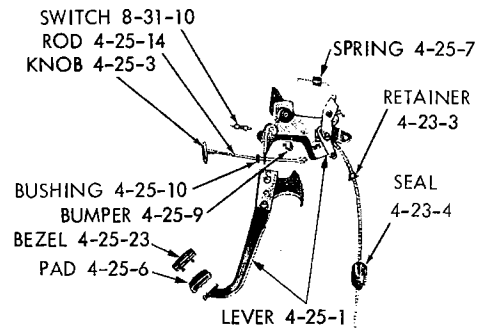
AR Indicates use as required. Numerals in parentheses () refer to notes. Printed in U.S.A.
 # Indicates parts not listed in any previous parts book. ★ Indicates change or addition. January 1971

GROUP 4 - BRAKE-PARKING

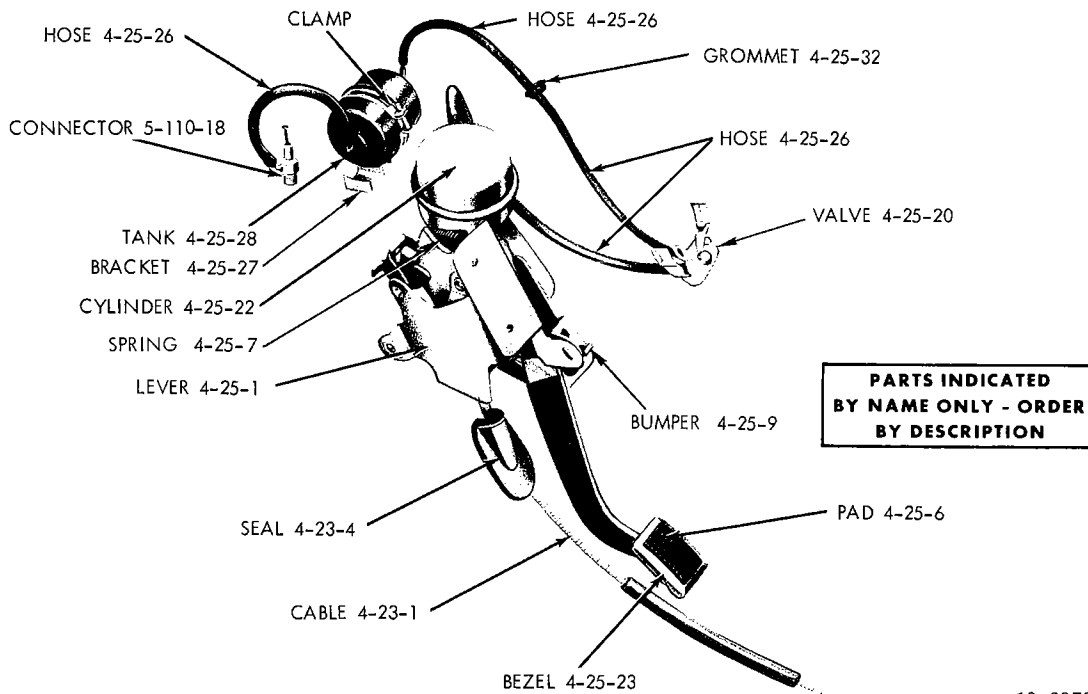


PARKING BRAKE SYSTEM - VALIANT, BARRACUDA, DART, BELVEDERE, SATELLITE, CORONET AND CHARGER

PARTS INDICATED BY NAME ONLY - ORDER BY DESCRIPTION



PARKING BRAKE SYSTEM - PLYMOUTH, DODGE AND CHRYSLER



19a0972B

PARKING BRAKE SYSTEM (VACUUM RELEASE) - IMPERIAL

NOTES

Lined area for notes.

CODE	PART NAME	ENG. TYPE OR CU.IN.	V	B	L	R	W	P	D	C	C	C	Y	PART NUMBER	
			1-2	1-2	1-2	1-2	1-2	1-2	1-2	1	2	3	1		
4-08-0 PARKING BRAKE LEVER (HAND OPERATED)															
4-08-1	LEVER		1	1	1	—	—	—	—	—	—	—	—	2883 524	
4-08-2	HANDLE		1	1	1	—	—	—	—	—	—	—	—	2823 549	
4-08-13	HINGE, w/BRACKET and BOLT		1	1	1	—	—	—	—	—	—	—	—	2534 964	
	NUT		1	1	1	—	—	—	—	—	—	—	—	120 376	
4-08-16	CLIP		1	1	1	—	—	—	—	—	—	—	—	1635 232	
4-08-35	PIN		1	1	1	—	—	—	—	—	—	—	—	1732 198	
4-08-36	RETAINER, Lever Hinge Pin		1	1	1	—	—	—	—	—	—	—	—	2197 678	
4-10-0 TRANSMISSION PARKING LOCK															
4-10-8	SHAFT, Trans. Park Sprag		1	1	1	1	1	1	1	1	1	1	1	2466 892	
4-10-10	SPRAG, Trans. Park Lock		1	1	1	1	1	1	1	1	1	1	1	2801 157	
4-10-11	SPRING, Trans. Park Sprag		1	1	1	1	1	1	1	1	1	1	1	2466 909	
4-10-32	PLUG, Trans. Park Sprag		1	1	1	1	1	1	1	1	1	1	1	2538 042	
4-10-33	SNAP RING, Trans. Park Sprag		1	1	1	1	1	1	1	1	1	1	1	2538 034	
4-10-35	ROD, Trans. Park Sprag, except		1	1	1	—	—	—	—	—	—	—	—	2466 906	
	340, 383 Eng.		8	—	1	1	—	—	—	—	—	—	—	2466 894	
	340, 383 Eng. Std.	6	—	—	—	1	1	1	—	—	—	—	—	2466 906	
	H.D.	6	—	—	—	1	1	1	—	—	—	—	—	2466 894	
	All	8	—	—	—	1	1	1	1	1	1	1	1	2466 894	
4-10-40	E-RING, Trans. Park Sprag Retainer		1	1	1	1	1	1	1	1	1	1	1	1626 749	
4-19-0 PARKING BRAKE LEVER RETURN SPRING															
4-19-1	SPRING		1	1	1	—	—	—	—	—	—	—	—	1556 693	
4-23-0 PARKING BRAKE CABLE															
4-23-1	CABLE, Front		1	1	—	—	—	—	—	—	—	—	—	2823 501	
			—	—	1	—	—	—	—	—	—	—	—	2534 966	
			—	—	—	1	1	—	—	—	—	—	—	2823 518	
	Except Sta. Wgn.		—	—	—	—	—	1	—	—	—	—	—	2467 500	
	Except Sta. Wgn.		—	—	—	—	—	—	—	1	1	1	—	2467 502	
	Sta. Wgn.		—	—	—	—	—	1	—	—	—	1	—	2467 501	
	All	8	—	—	—	—	—	—	1	—	—	—	—	2467 501	
	All	8	—	—	—	—	—	—	—	—	—	—	1	2467 502	
	Rear, Rt.		1	1	1	—	—	—	—	—	—	—	—	2534 968	
			—	—	—	1	1	—	—	—	—	—	—	2808 590	
			—	—	—	—	—	1	1	1	1	1	1	3420 102	
	Rear, Lt		1	1	1	—	—	—	—	—	—	—	—	2808 596	
			—	—	—	1	1	—	—	—	—	—	—	2808 594	
			—	—	—	—	—	1	1	1	1	1	1	3420 101	
4-23-2	BRACKET, Front Floor Pan Cable		—	—	—	1	1	1	1	1	1	1	1	2574 185	
	Guide		—	—	—	1	1	1	1	1	1	1	1	2071 132	
4-23-3	RETAINER, Brake Cable Lower		1	1	1	1	1	1	1	1	1	1	1	1946 468	
	Cable at Lever		—	—	—	—	—	1	1	1	1	1	1	2259 118	
4-23-4	SEAL, Front Floor Pan Cable		—	—	—	—	—	1	1	1	1	1	1	6023 997	
4-23-6	NUT, Cable Adjusting		1	1	1	1	1	1	1	1	1	1	1	2251 398	
4-23-7	SUPPORT Rt. Rear Side Rail Cable		1	1	1	1	1	1	1	1	1	1	1	2401 768	
4-23-15	EQUALIZER, Cable		1	1	1	1	1	1	1	1	1	1	1	2265 269	
4-23-24	PIN, Cable Upper Clevis		—	—	—	1	1	—	—	—	—	—	—	6025 994	
4-23-28	CLAMP, Brake Cable		1	1	1	—	—	—	—	—	—	—	—	2265 273	
			—	—	—	1	1	—	—	—	—	—	—	2534 926	
	CLIP, Cable at Rear Bracket		2	2	2	2	2	2	2	2	2	2	2	2201 467	
	Cable, Rear		1	1	1	1	1	1	1	1	1	1	1	2534 931	
4-23-39	SCREW, Cable Clip, 426, 440 Eng.	8	—	—	—	1	1	—	—	—	—	—	—	2852 508	
4-23-46	GROMMET, Dash Panel Cable Hole		1	1	1	1	1	—	—	—	—	—	—	2401 772	
TYPE LETTERS Indicates			B - Barracuda			V - Valiant L - Dart			R - Belvedere W - Coronet			P - Plymouth D - Dodge		C - Chrysler Y - Imperial	

AR Indicates use as required.
= Indicates parts not listed in any previous parts book.

Numerals in parentheses () refer to notes.
★ Indicates change or addition.

Printed in U.S.A.
January 1971

CODE	PART NAME	ENG. TYPE OR CU.IN.	V	B	L	R	W	P	D	C	C	C	Y	PART NUMBER
			1-2	1-2	1-2	1-2	1-2	1-2	1-2	1	2	3	1	
4-25-0 PARKING BRAKE LEVER (FOOT OPERATED)														
4-25-1	LEVER		—	—	—	1	1	—	—	—	—	—	—	2534 952
			—	—	—	—	—	1	1	1	1	1	—	2950 320
			—	—	—	—	—	—	—	—	—	—	1	2950 315
4-25-3	BOLT, w/WASHER, Lever Mounting KNOB, Lever Release		—	—	—	1	1	—	—	—	—	—	—	6025 346
			—	—	—	1	1	—	—	—	—	—	—	2823 521
4-25-6	PAD, Pedal		—	—	—	—	—	1	1	1	1	1	—	2950 102
			—	—	—	1	1	—	—	—	—	—	—	2534 937
4-25-7	SPRING, Lever Pedal Return Lever Auxiliary Release	8	—	—	—	—	—	1	1	1	1	1	1	2467 514
			—	—	—	—	—	1	1	1	1	1	1	2409 462
4-25-9	BUMPER, Pedal Stop		—	—	—	1	1	—	—	—	—	—	1	2409 188
			—	—	—	—	—	—	—	—	—	—	—	2883 508
4-25-10	BUSHING, Lever Release Rod, Plastic NYLON		—	—	—	1	1	1	1	1	1	1	—	2467 515
			—	—	—	—	—	1	1	1	1	1	—	2467 571
4-25-14	ROD, Lever Release WASHER		—	—	—	—	—	1	1	1	1	1	—	2950 312
			—	—	—	—	—	1	1	1	1	1	—	2950 318
4-25-15	CLIP, Lever Release Rod Cotter Release Rod to Vacuum Cylinder	8	—	—	—	—	—	1	1	1	1	1	—	9417 497
			—	—	—	—	—	—	—	—	—	—	1	1137 669
4-25-17	NUT, Lever Pedal Pivot BOLT		—	—	—	—	—	1	1	1	1	1	1	1137 669
			—	—	—	—	—	1	1	1	1	1	1	1927 232
4-25-20	VALVE, Vacuum Release	8	—	—	—	—	—	—	—	—	—	—	1	6025 287
4-25-22	CYLINDER, Vacuum Lever NUT, w/WASHER, Cylinder Mounting	8	—	—	—	—	—	—	—	—	—	—	1	2950 115
			—	—	—	—	—	—	—	—	—	—	1	2950 117
4-25-23	BEZEL, Lever Pedal Pad		—	—	—	—	1	—	—	—	—	—	2	6025 002
			—	—	—	—	—	—	—	—	—	—	—	2534 938
4-25-26	HOSE, Surge Tank to Manifold Release Valve to Surge Tank	8	—	—	—	—	—	1	1	1	1	1	1	2467 513
			—	—	—	—	—	—	—	—	—	—	1	2448 620
4-25-27	BRACKET, Release Valve Surge Tank	8	—	—	—	—	—	—	—	—	—	—	1	2448 620
			—	—	—	—	—	—	—	—	—	—	1	2405 465
4-25-28	TANK PACKAGE	8	—	—	—	—	—	—	—	—	—	—	1	2405 465
4-25-32	GROMMET, Vacuum Hose	8	—	—	—	—	—	—	—	—	—	—	1	2421 268
			—	—	—	—	—	—	—	—	—	—	1	2277 767

4-26-0 PARKING BRAKE OPERATING LEVER

4-26-1	LEVER, w/PIN, 9" Brakes 10" Brakes 11" Brakes	6	1	1	1	—	—	—	—	—	—	—	—	2265 360-1
			1	1	1	1	1	—	—	—	—	—	—	2881 660-1
			—	—	—	1	1	1	1	1	1	1	1	2260 800-1
4-26-3	LEVER, w/PIN (Located In Rear Wheel Brake) V, B, L	6	1	1	1	—	—	—	—	—	—	—	—	# 3461 698-9
4-26-17	STRUT, Lever, 9" Brakes 10" Brakes 10" Brakes, except Sta. Wgn. 10" Brakes, Sta. Wgn. 10" Brakes 11" Brakes	6	2	2	2	—	—	—	—	—	—	—	—	2781 581
			1	1	1	—	—	—	—	—	—	—	—	2534 666-7
			—	—	—	2	2	—	—	—	—	—	—	2260 423
			—	—	—	2	2	—	—	—	—	—	—	2409 823
			—	—	—	2	2	—	—	—	—	—	—	2409 823
4-26-18	SPRING, Lever Strut, 9" Brakes 10" Brakes 11" Brakes	6	2	2	2	—	—	—	—	—	—	—	—	2533 892-3
			2	2	2	2	2	—	—	—	—	—	—	2072 646
			—	—	—	2	2	2	2	2	2	2	2	2533 822
4-26-26	WASHER, Lever Pin		2	2	2	2	2	2	2	2	2	2	2	2533 822
4-26-27	LOCK, Lever Pin Washer		2	2	2	2	2	2	2	2	2	2	2	2072 643
			2	2	2	2	2	2	2	2	2	2	2	2072 644

NOTES

TYPE LETTERS Indicates

B - Barracuda

V - Valiant
L - DartR - Belvedere
W - CoronetP - Plymouth
D - DodgeC - Chrysler
Y - Imperial

AR Indicates use as required.

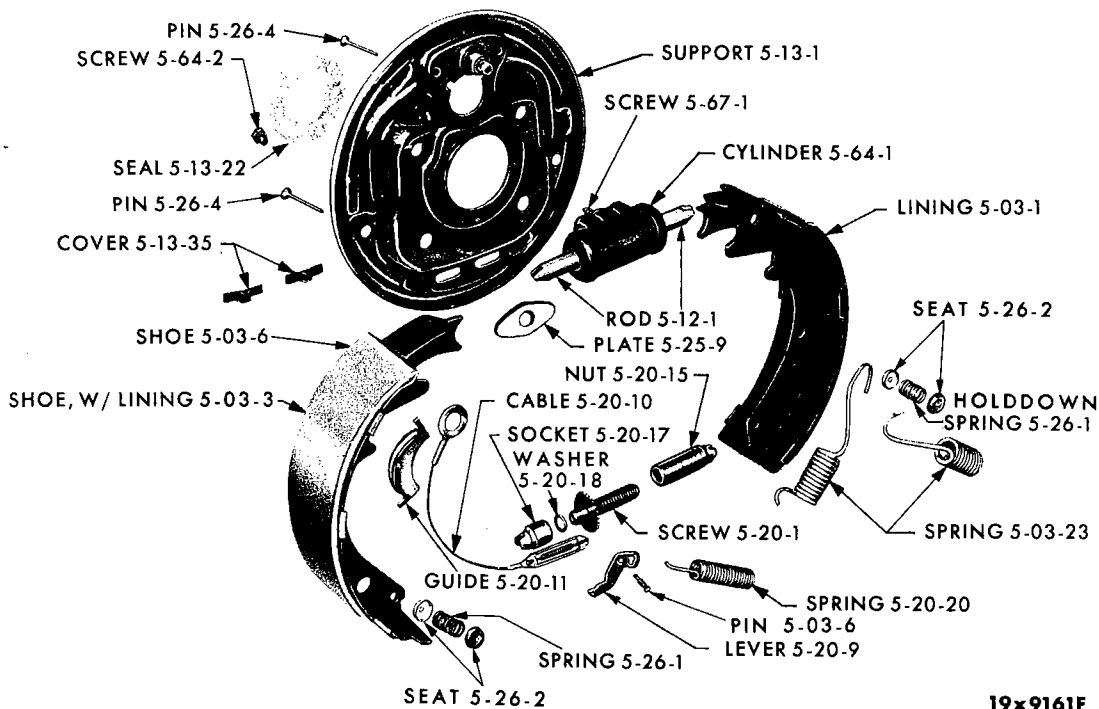
= Indicates parts not listed in any previous parts book.

Numerals in parentheses () refer to notes.

★ Indicates change or addition.

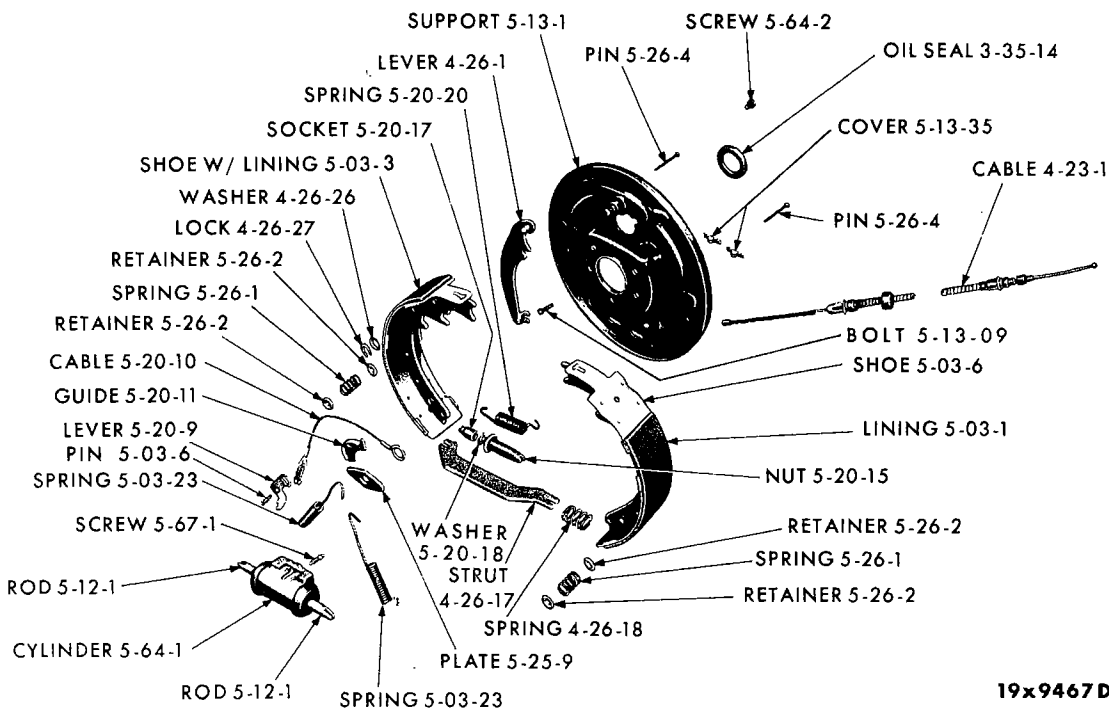
Printed in U.S.A.
January 1971

GROUP 5 - BRAKE-SERVICE



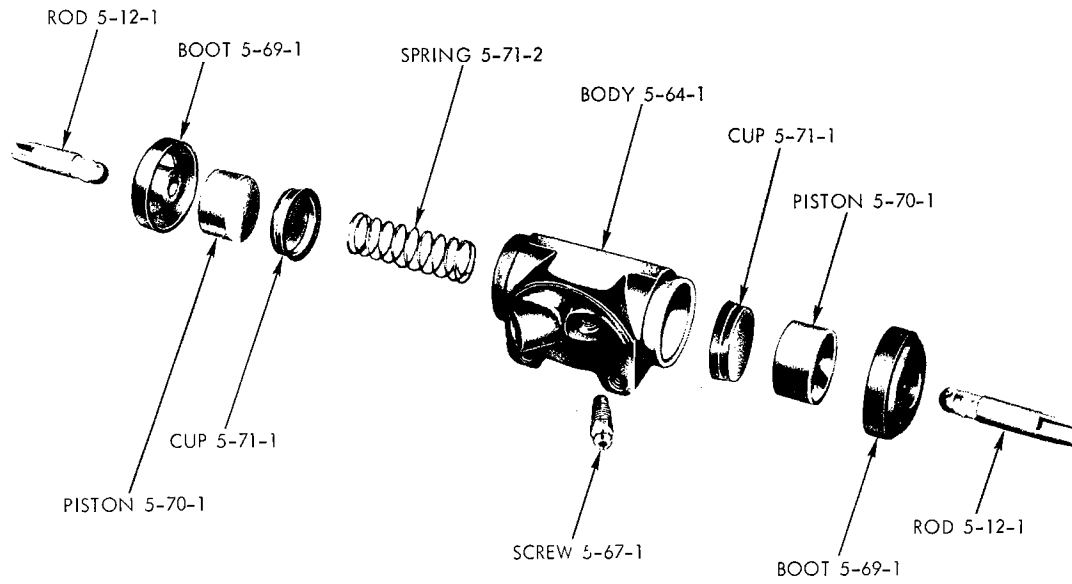
19x9161F

FRONT WHEEL BRAKE



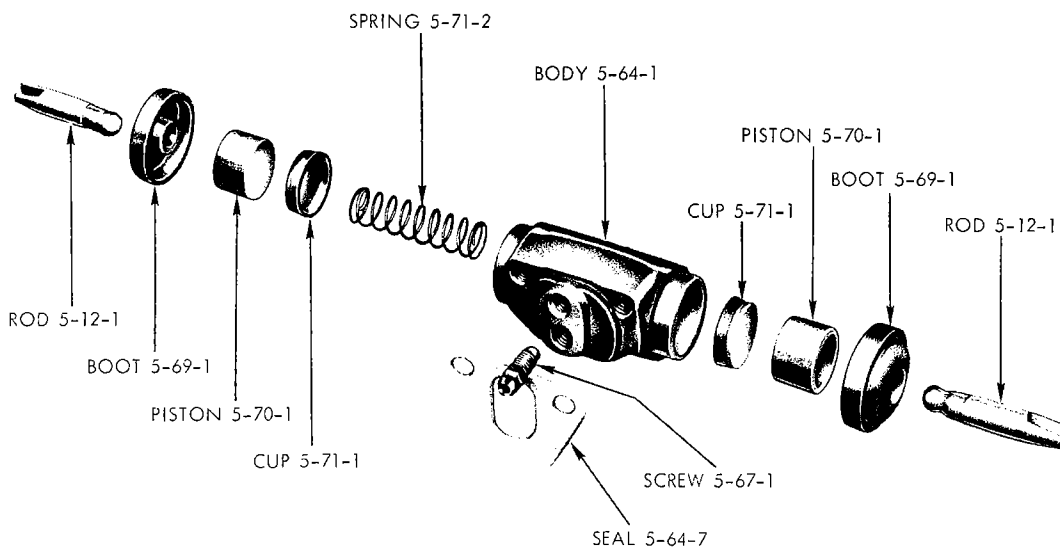
19x9467D

REAR WHEEL BRAKE



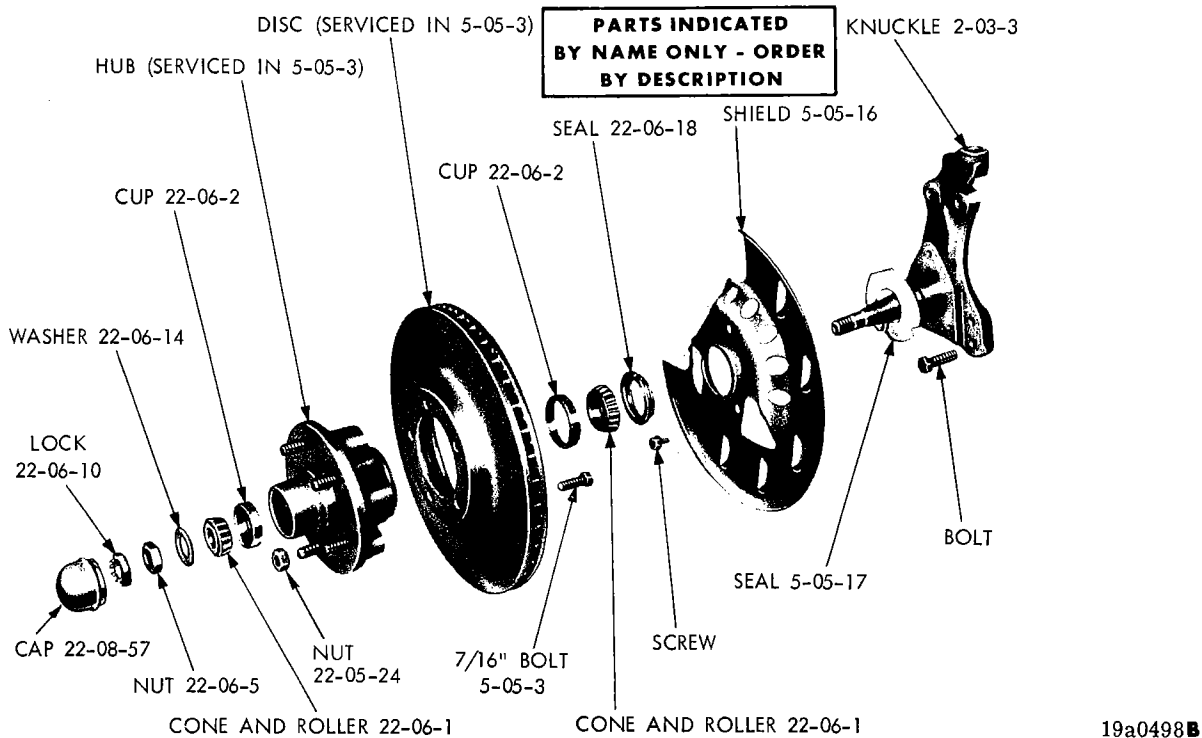
19a1098

FRONT WHEEL CYLINDER

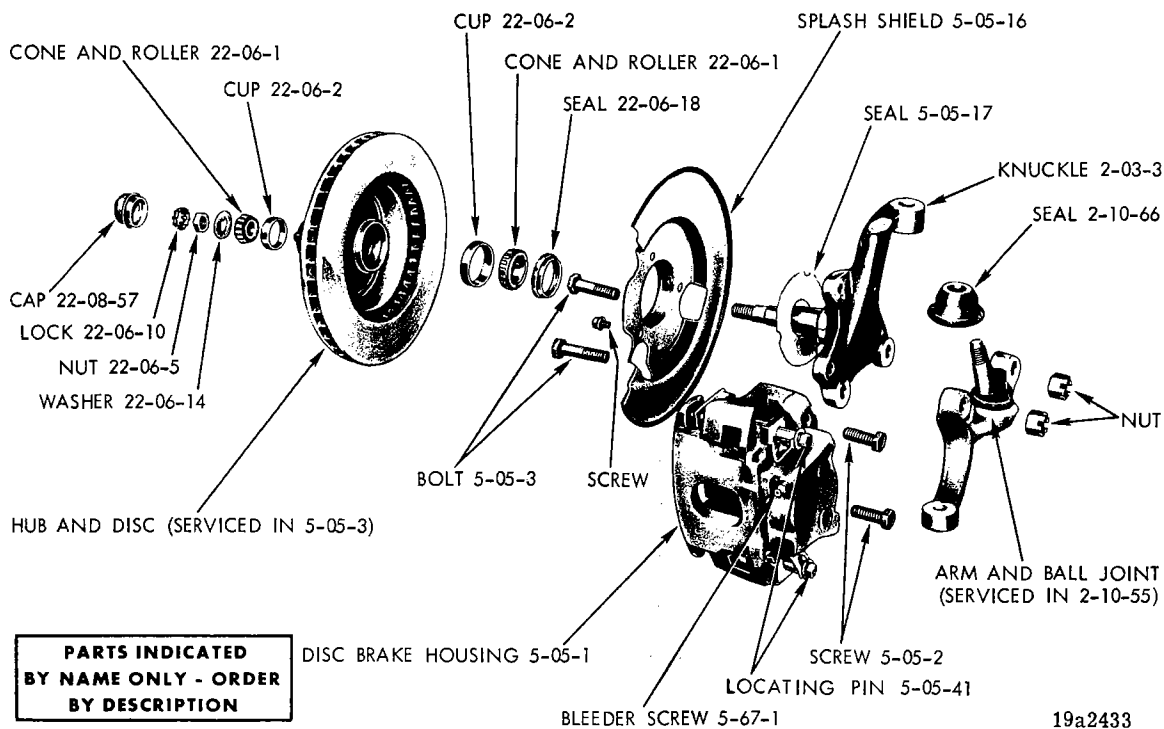


19a1099

REAR WHEEL CYLINDER

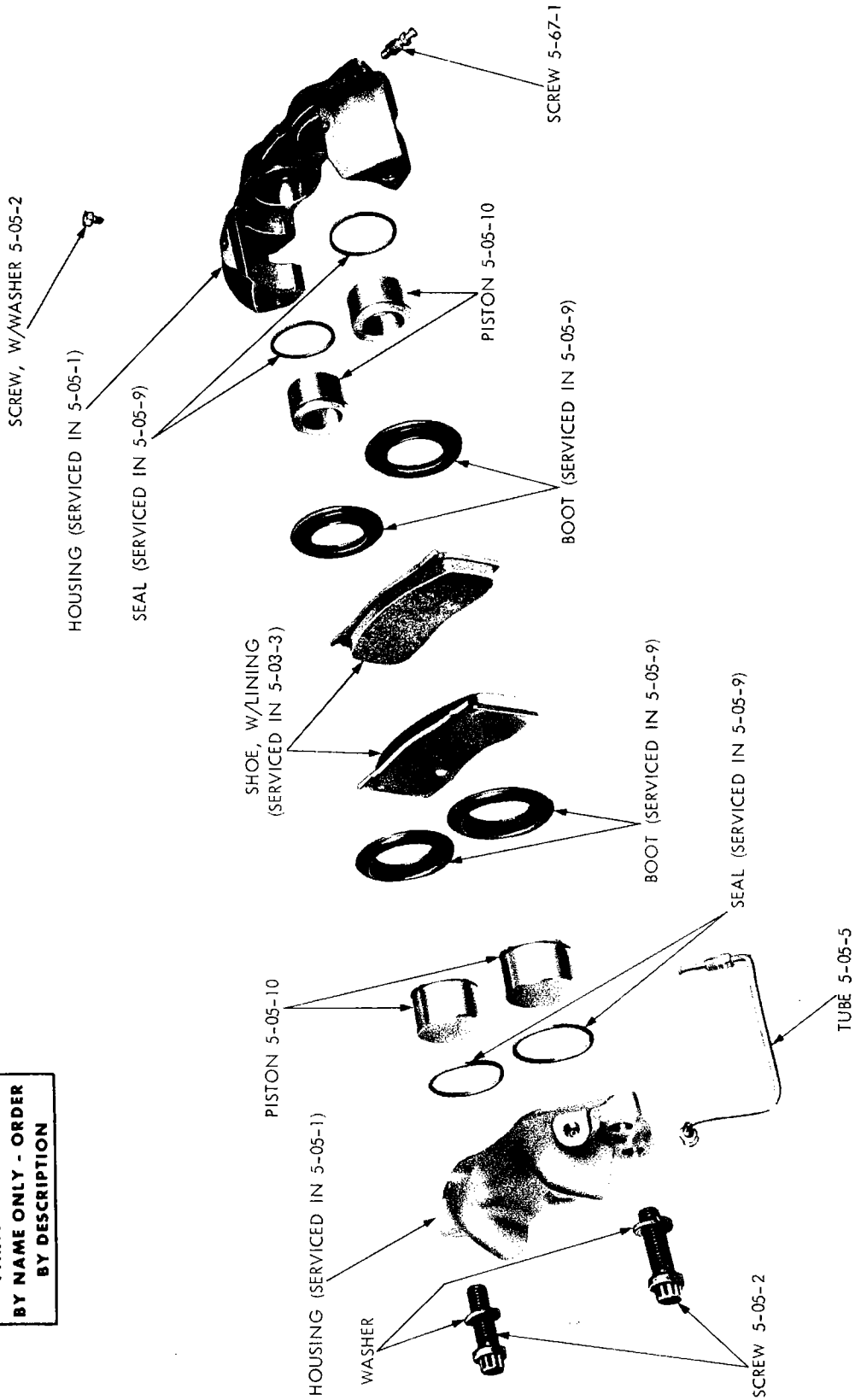


FRONT WHEEL DISC BRAKE - IMPERIAL



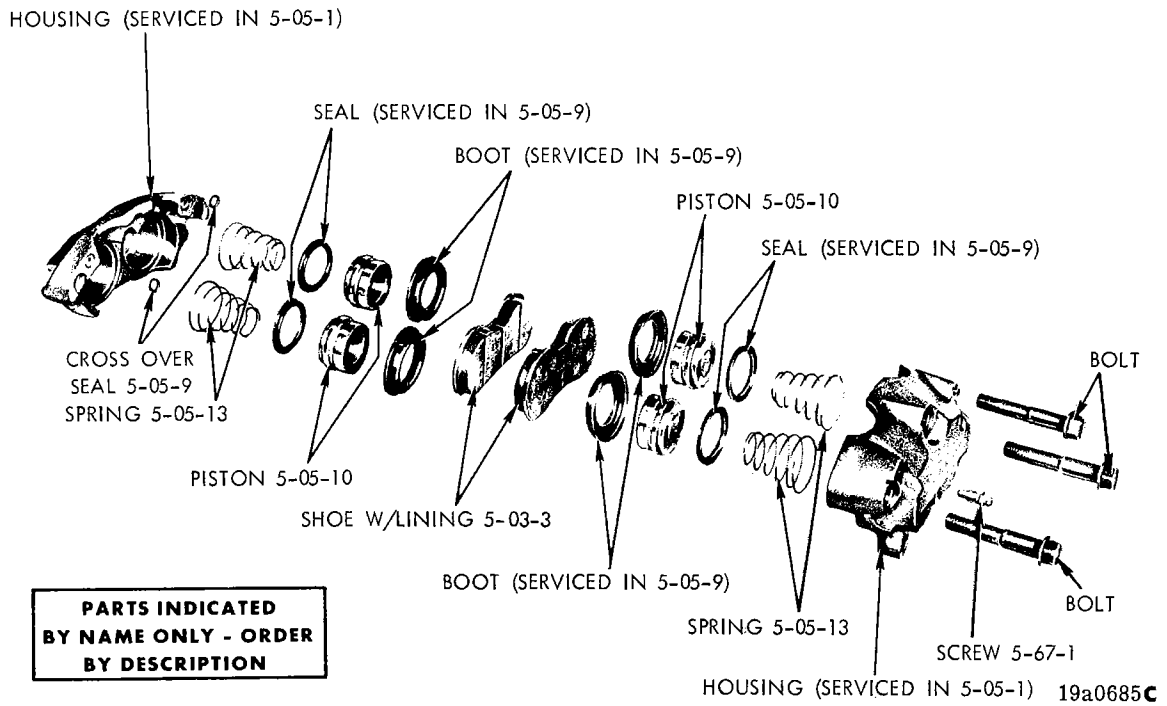
DISC BRAKE AND CALIPER - PLYMOUTH, DODGE AND CHRYSLER

PARTS INDICATED
BY NAME ONLY - ORDER
BY DESCRIPTION

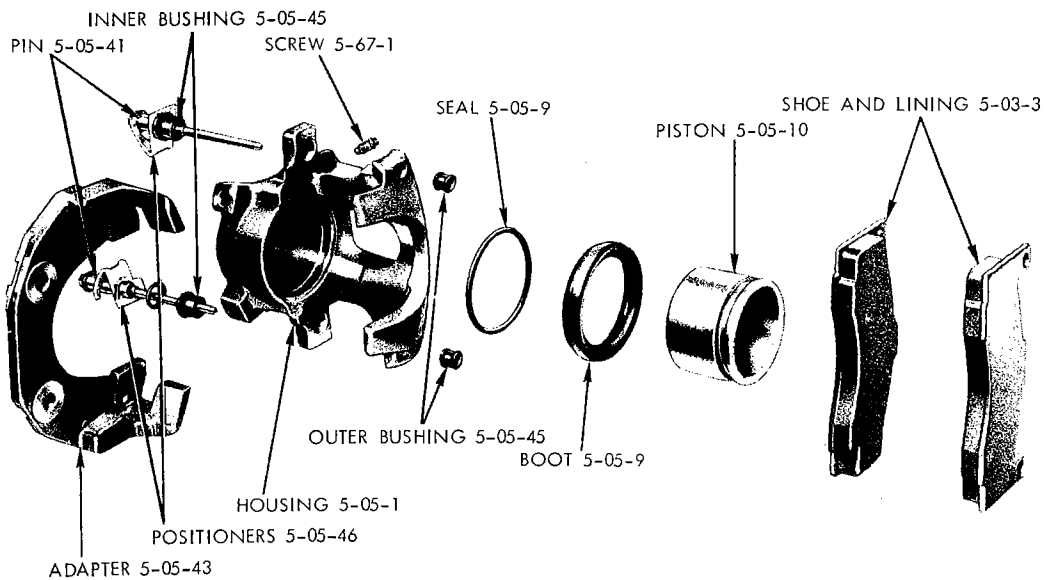


19a0487 F

CALIPER - VALIANT, DART AND BARRACUDA

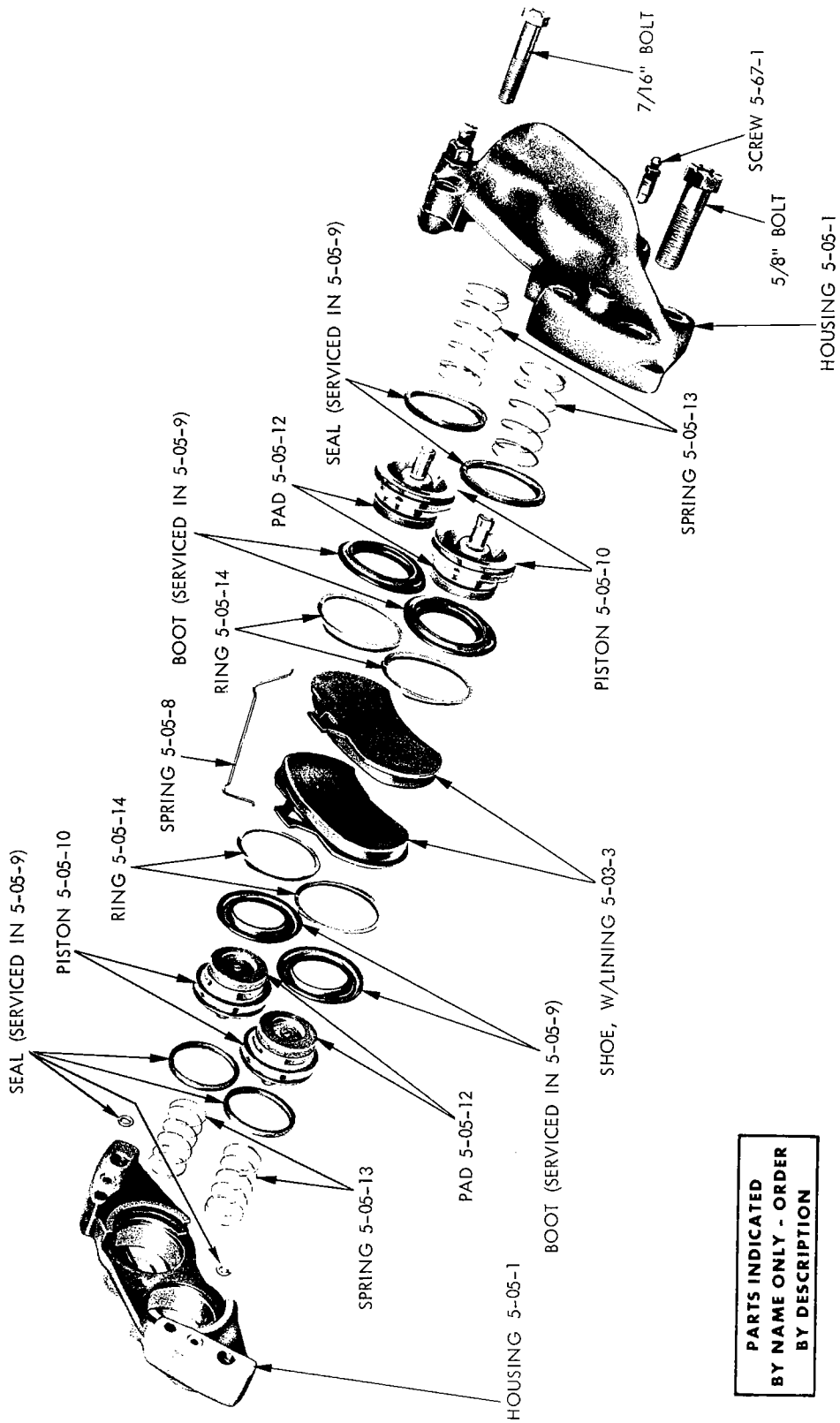


CALIPER DISC BRAKE - BELVEDERE AND CORONET



19a2432A

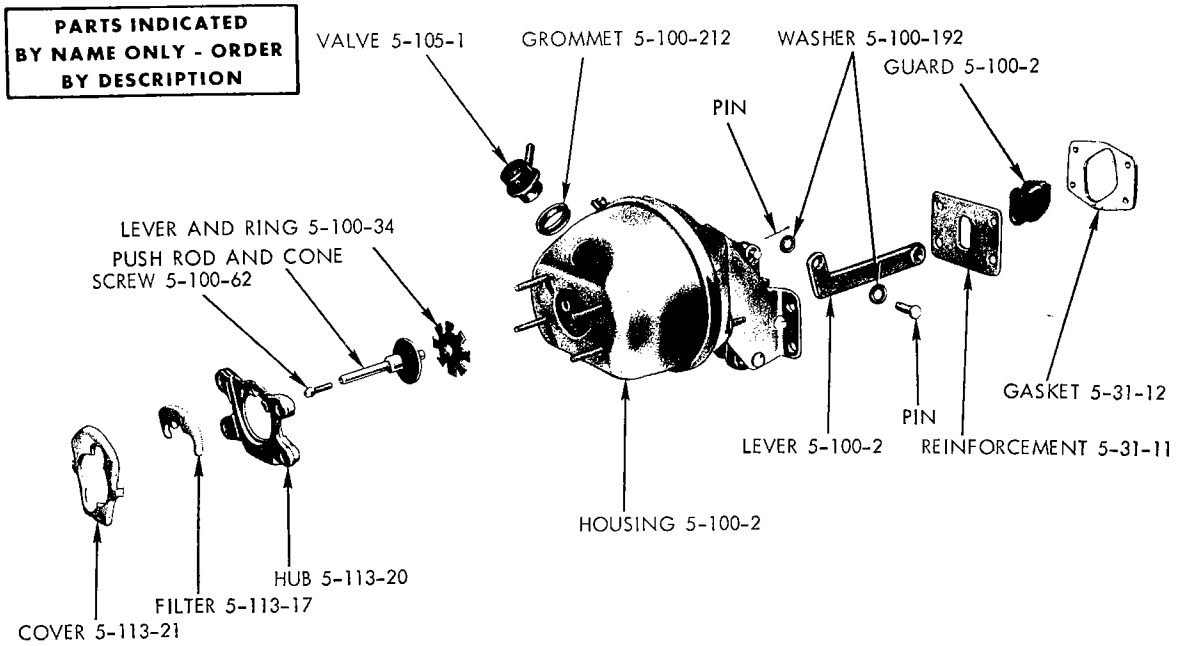
CALIPER DISC BRAKE - PLYMOUTH, DODGE AND CHRYSLER



**PARTS INDICATED
BY NAME ONLY - ORDER
BY DESCRIPTION**

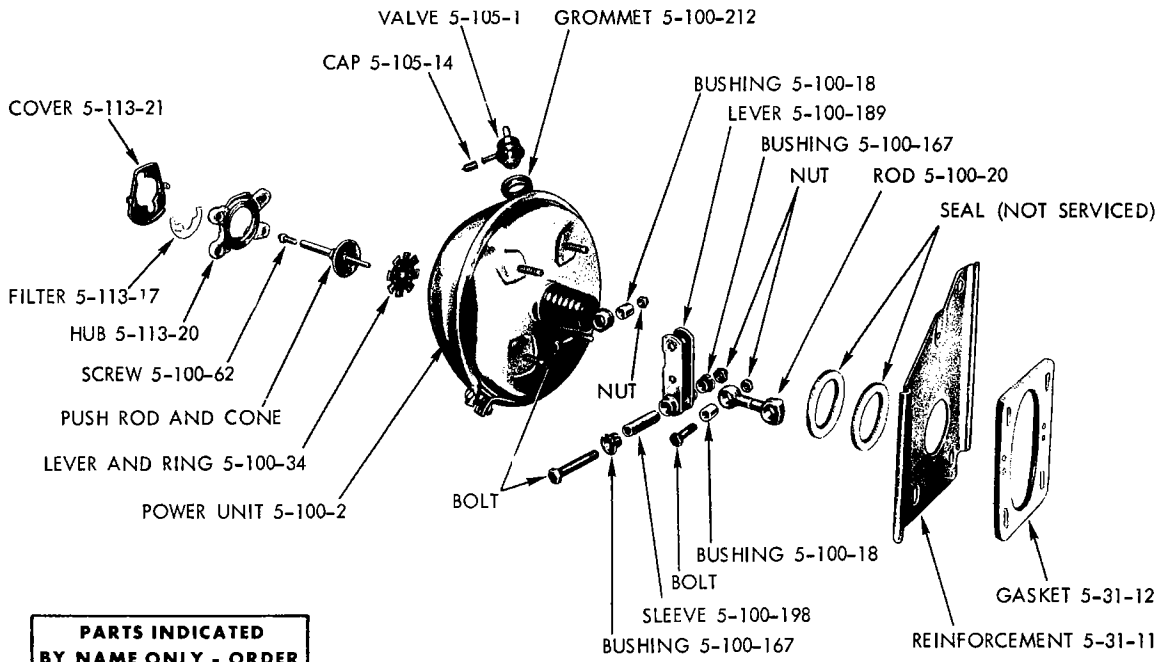
19a0484 B

CALIPER DISC BRAKE - IMPERIAL ONLY



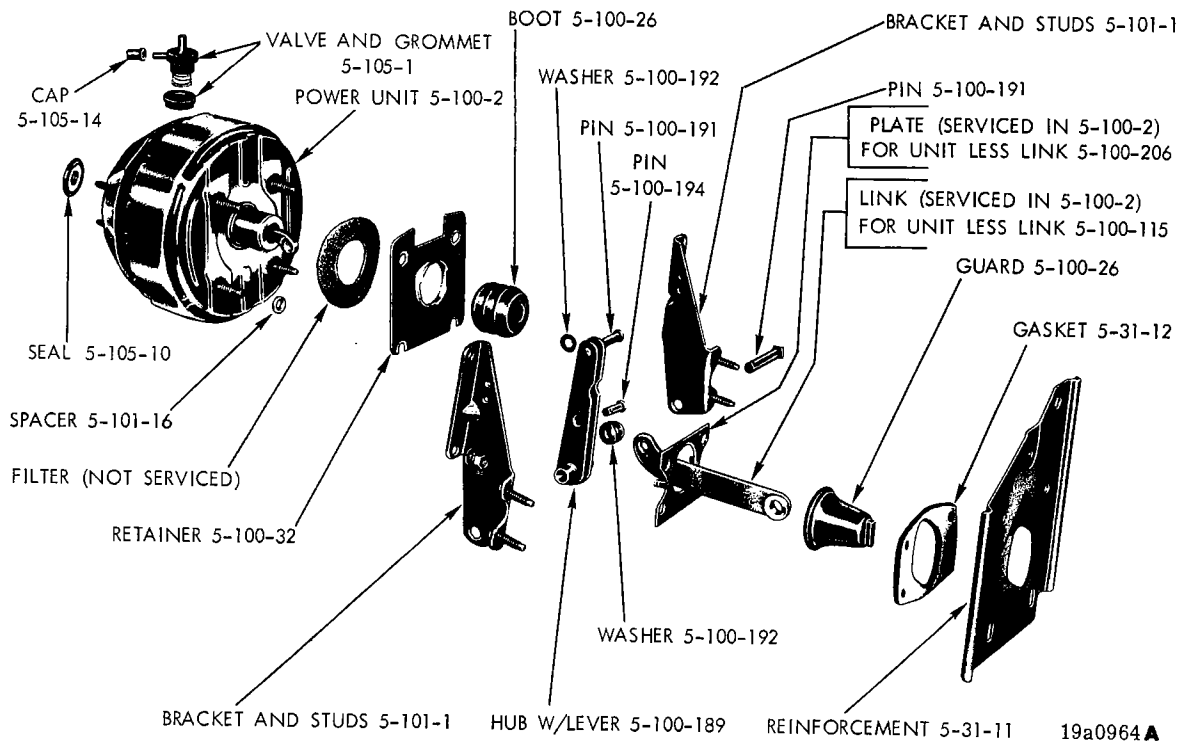
19a2431

POWER BRAKE UNIT - VALIANT, DART AND BARRACUDA

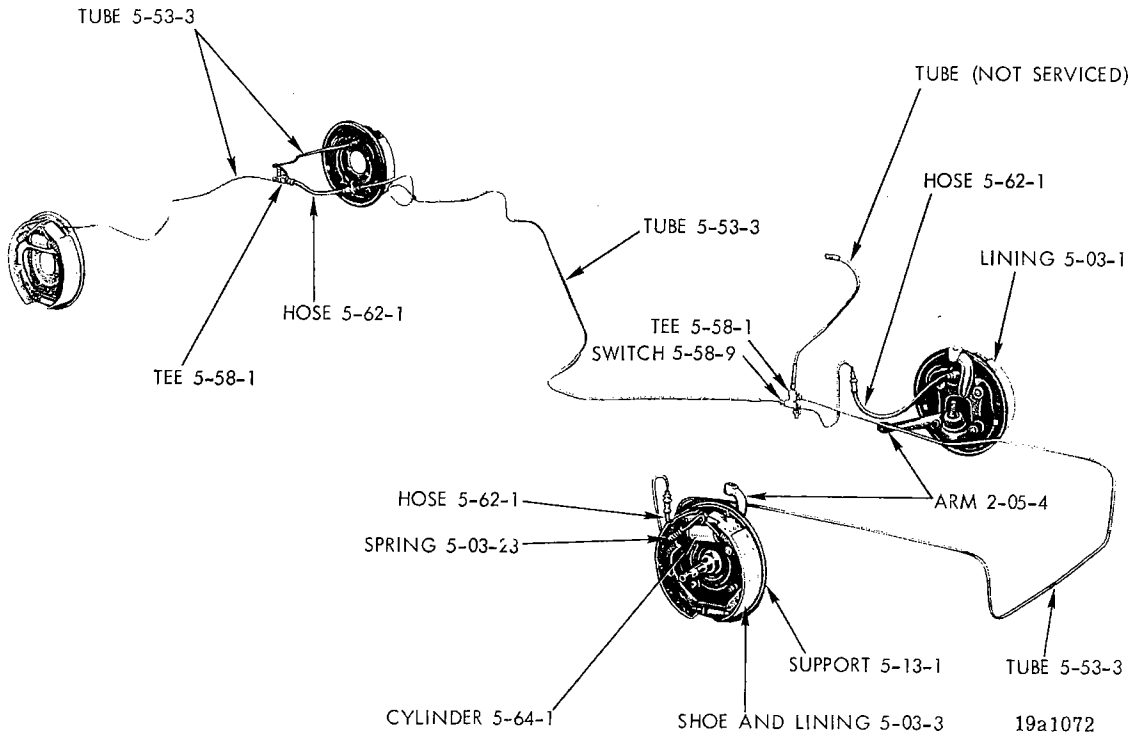


19a2442

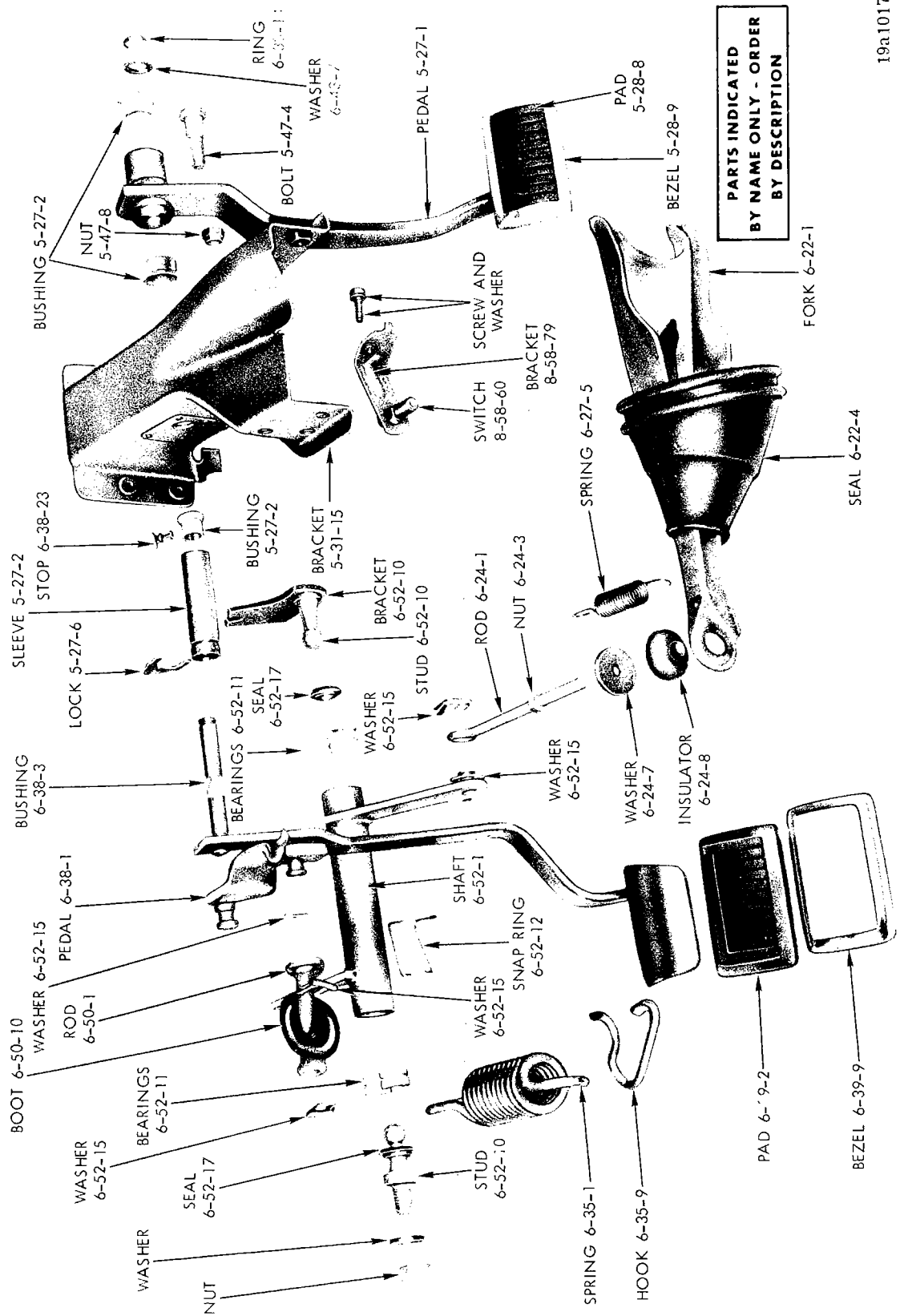
POWER BRAKE UNIT (MIDLAND ROSS TYPE) - BELVEDERE, CORONET AND CHARGER



POWER BRAKE BOOSTER - BELVEDERE AND CORONET (WITH 426 ENGINE ONLY)



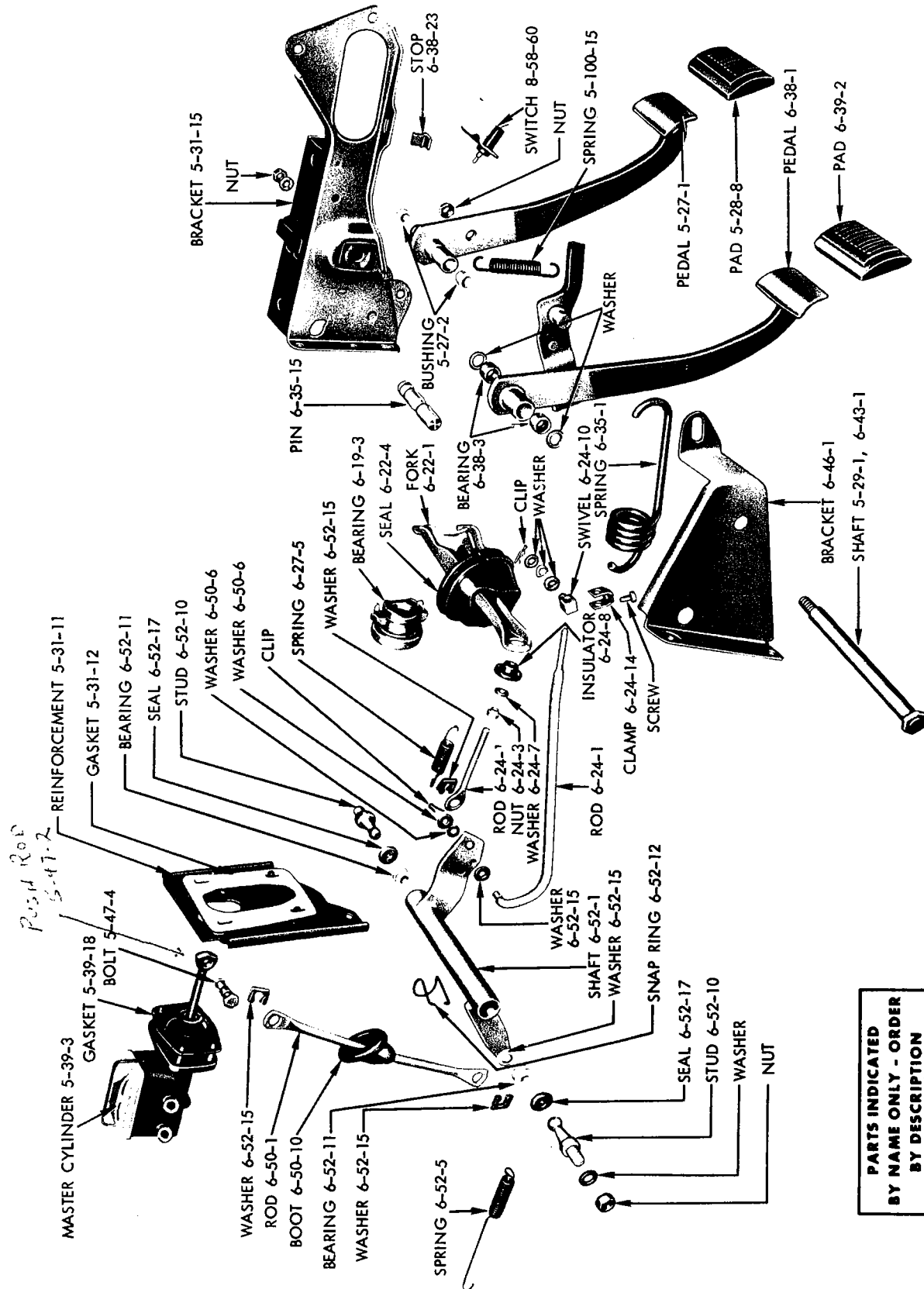
HYDRAULIC BRAKE SYSTEM - ALL MODELS



PARTS INDICATED
BY NAME ONLY - ORDER
BY DESCRIPTION

19a1017B

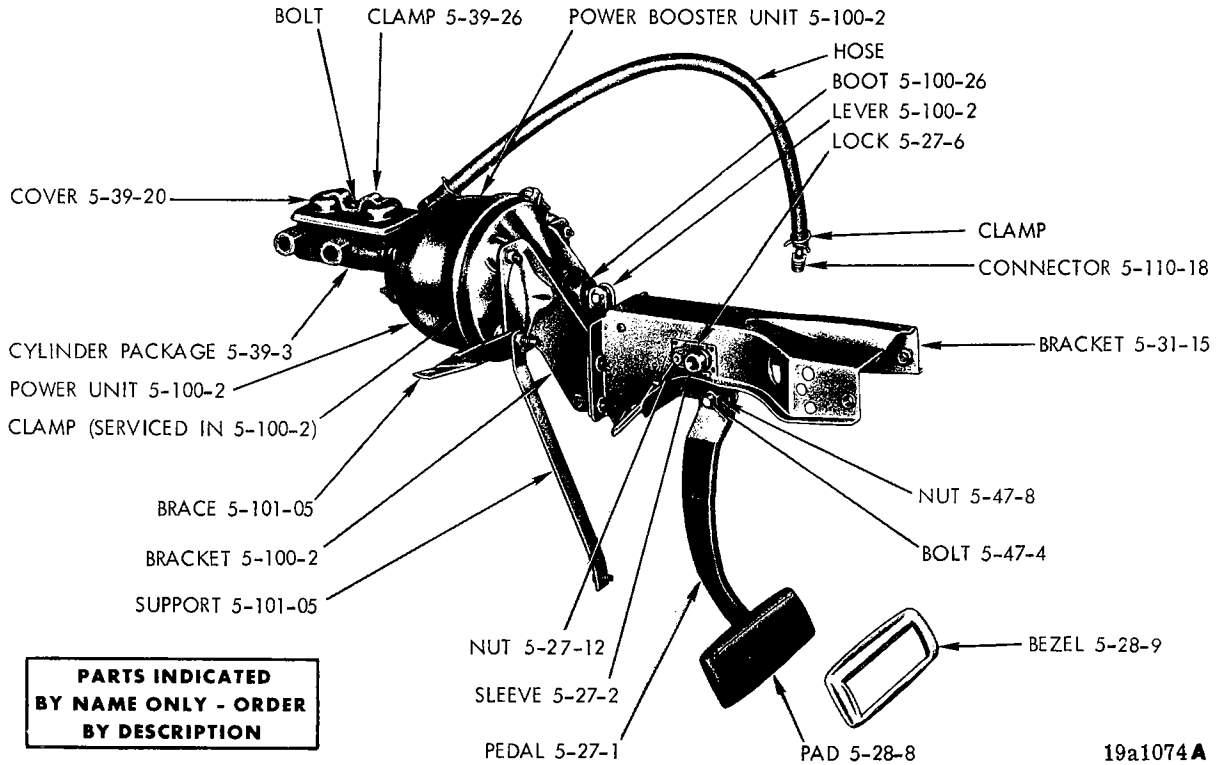
BRAKE AND CLUTCH PEDAL LINKAGE - VALIANT, DAPT AND BARRACUDA



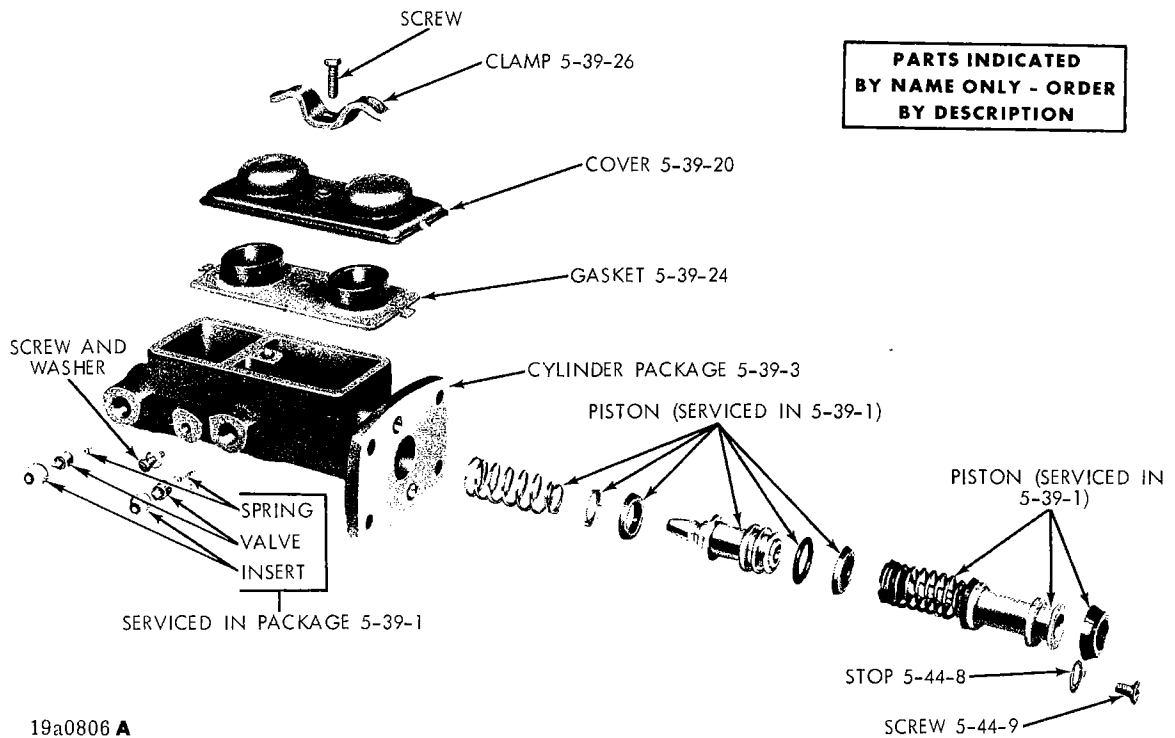
19a0637D

BRAKE AND CLUTCH PEDAL LINKAGE - BELVEDERE, CORONET AND CHARGER

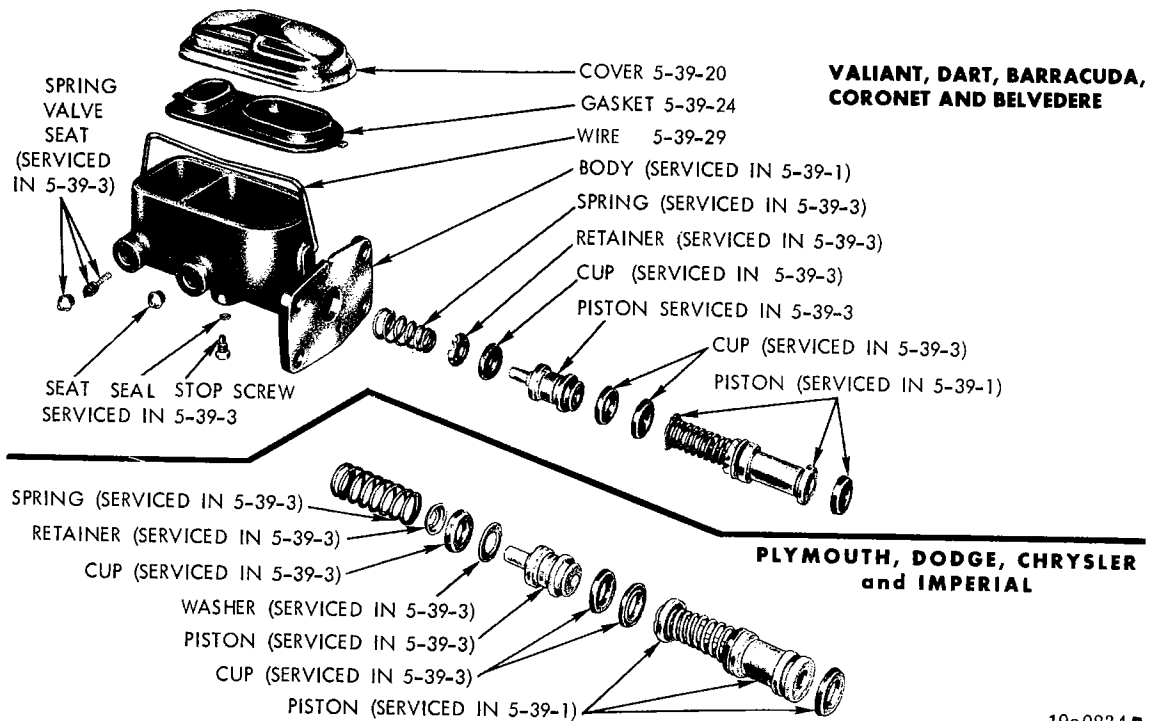
**PARTS INDICATED
BY NAME ONLY - ORDER
BY DESCRIPTION**



BRAKE PEDAL AND BRACKET (WITH BOOSTER BRAKE) - VALIANT, DART AND BARRACUDA

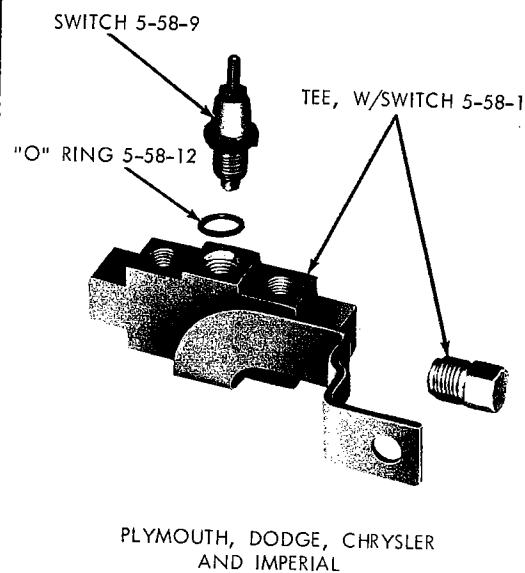
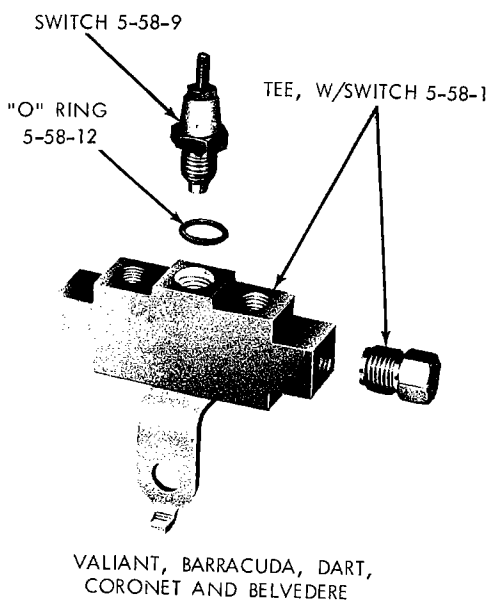


MASTER CYLINDER WITH DRUM BRAKES



19a0834 B

TANDEM BRAKE MASTER CYLINDER (WITH DISC BRAKES) - VALIANT, DART, PLYMOUTH, DODGE, CHRYSLER AND IMPERIAL



19a0805 A

MASTER CYLINDER TEE AND SAFETY SWITCH

CODE	PART NAME	ENG. TYPE OR CU.IN.	V	B	L	R	W	P	D	C	C	C	Y	PART NUMBER
			1-2	1-2	1-2	1-2	1-2	1-2	1-2	1	2	3	1	
5-01-0 BRAKE FLUID														
5-01-2	FLUID, HI Temp.,													
	12 oz.		AR	AR	AR	AR	AR	AR	AR	AR	AR	AR	AR	2933 249
	1 Quart		AR	AR	AR	AR	AR	AR	AR	AR	AR	AR	AR	2933 250
	1 Gallon		AR	AR	AR	AR	AR	AR	AR	AR	AR	AR	AR	2933 251
	5 Gallon		AR	AR	AR	AR	AR	AR	AR	AR	AR	AR	AR	2933 252
	30 Gallon		AR	AR	AR	AR	AR	AR	AR	AR	AR	AR	AR	2933 253
	FLUID, Heavy Duty,													
	1 Gallon	Canada	AR	AR	AR	AR	AR	AR	AR	AR	AR	AR	AR	2458 409
	5 Gallon	Canada	AR	AR	AR	AR	AR	AR	AR	AR	AR	AR	AR	2458 410
	Super Heavy Duty,													
	12 oz.	Canada	AR	AR	AR	AR	AR	AR	AR	AR	AR	AR	AR	2458 412
	1 Gallon	Canada	AR	AR	AR	AR	AR	AR	AR	AR	AR	AR	AR	2458 413
	5 Gallon	Canada	AR	AR	AR	AR	AR	AR	AR	AR	AR	AR	AR	2458 414

5-03-0 WHEEL BRAKE SHOE AND LINING

5-03-1	LINING PACKAGE, for Bonding													
	9" Brakes		1	1	1	—	—	—	—	—	—	—	—	2808 490
	10" x 2 1/4" Brake Frt.		1	1	1	—	—	—	—	—	—	—	—	2585 659
	10" x 2 1/2" Frt. 10 x 1 3/4" Rr.	6	—	—	—	1	1	—	—	—	—	—	—	2808 298
	10" x 2 1/2" Frt. 10 x 2 1/2" Rr.		—	—	—	1	1	—	—	—	—	—	—	2585 659
	11" x 2 3/4" Frt. 11" x 2" Rr. except Sta. Wgn.		—	—	—	—	—	1	1	—	—	—	—	3004 942
	11 x 2 3/4" Frt. 11 x 2 1/2Rr. Sta. Wgn.		—	—	—	—	—	1	—	—	—	—	—	3004 941
	11 x 2 3/4 Frt. 11 x 2 1/2 Rr. except Sta. Wgn.		—	—	—	—	—	—	1	1	1	1	—	3004 941
	11 x 3" Frt. 11 x 2 1/2" Rr. Sta. Wgn.		—	—	—	1	1	—	1	—	—	1	—	3004 943
	11 x 3" Frt. 11 x 2 1/2" Rr.		—	—	—	1	1	1	1	1	1	1	—	3004 943
	11 x 3" Frt. 11 x 3" Rr.		—	—	—	—	—	1	1	1	1	1	—	2585 679

NOTE: Brake Lining Package only, not serviced in Canada.

5-03-3	SHOE and LINING PACKAGE, FRONT WHEEL BRAKES													
	One Axle FRT. Wheel, w/o Disc Brakes, 9" Brakes		1	1	1	—	—	—	—	—	—	—	—	3004 851
	10" x 2 1/4" Brakes		1	1	1	—	—	—	—	—	—	—	—	3004 852
	w/10 x 2 1/2" Brakes		—	—	—	1	1	—	—	—	—	—	—	3004 853
	w/11 x 2 3/4" Brakes w/o Pin		—	—	—	—	—	1	1	1	—	—	—	3004 939
	w/11 x 2 3/4" Brakes w/Pin		—	—	—	—	—	1	1	1	—	—	—	3004 854
	w/11 x 3" Brakes w/o Pin		—	—	—	—	—	1	1	1	1	1	—	3004 940
	w/11 x 3" Brakes w/Pin		—	—	—	—	—	1	1	1	1	1	1	3004 982
	Frt. 11 x 3" Brakes H/Duty		—	—	—	1	1	1	1	1	1	1	—	2808 494
	REAR WHEEL BRAKES, 9" Brakes, w/o Frt. Disc Brakes		1	1	1	—	—	—	—	—	—	—	—	3004 858
	10" x 1 3/4" Brakes, w or w/o Disc Brakes		1	1	1	—	—	—	—	—	—	—	—	3004 859
	10" x 1 3/4" Brakes, w/o Frt. Disc Brakes		—	—	—	1	1	—	—	—	—	—	—	3004 859
	10" x 2 1/2" Brakes		—	—	—	1	1	—	—	—	—	—	—	3004 853
	w/11 x 2" Brakes (One Axle Only) w/o Pin		—	—	—	—	—	1	1	—	—	—	—	2808 499
	w/11 x 2" Brakes (One Axle Only) w/Pin		—	—	—	—	—	1	1	—	—	—	—	3004 860
	w/11 x 2 1/2" Brakes (One Axle Only) w/o Pin		—	—	—	1	1	1	1	1	1	1	1	2808 495
	w/11 x 2 1/2" Brakes (One Axle Only) w/Pin		—	—	—	—	—	1	1	1	1	1	—	3004 861
	11" x 3" Brakes w/H-Duty		—	—	—	—	—	1	1	1	1	1	1	2808 494
	11 x 2 3/4" Brakes		—	—	—	—	—	1	1	1	1	1	—	3004 939
	SHOE and LINING PACKAGE FOR BRAKES w/Adjusting Lock Spring													
	Service Replacement for 3004939 and													

TYPE LETTERS Indicates B - Barracuda V - Valiant L - Dart R - Belvedere W - Coronet P - Plymouth D - Dodge C - Chrysler Y - Imperial

AR Indicates use as required. Numerals in parentheses () refer to notes. Printed in U.S.A. # Indicates parts not listed in any previous parts book. ★ Indicates change or addition. January 1971

CODE	PART NAME	ENG. TYPE OR CU.IN.	V	B	L	R	W	P	D	C	C	C	Y	PART NUMBER
			1-2	1-2	1-2	1-2	1-2	1-2	1-2	1	2	3	1	
5-03-0 WHEEL BRAKE SHOE AND LINING Cont'd.														
5-03-3	SHOE and LINING PACKAGE Cont'd.													
	2808498 Package Frt. 11" x 2 3/4"													
	Brakes							1	1	1	1	1		3004 975
	Replacement for 3004940 Pkg. Frt. 11 x 3" Brakes				1	1	1	1	1	1	1			3004 976
	Replacement for 2808499 Pkg. RR. 11" x 2" Brakes							1	1					3004 978
	Replacement for 2808495 Pkg. RR. 11" x 2 1/2" Brakes				1	1	1	1	1	1	1	1		3004 979
	Replacement for 2808494 pkg. rr. 11" x 3" brakes							1	1	1	1	1	1	3004 976
	SHOE and LINING PACKAGE, Axle													
	Set Frt. Wheel Disc Brakes,													
	"A" Body		1	1	1									3004 759
	"B" Body					1	1							2808 402
	"C" Body							1	1	1	1	1		3004 828
	"C" Body												1	2808 404
5-03-6	SHOE, Frt. Wheel Brake,													
	9" Brakes		4	4	4									2880 595
	10" x 2 1/4" Brakes		4	4	4									2880 530
	10" x 2 1/2" Brakes					4	4							2880 529
	11" x 2 3/4" Brakes							4	4	4	4	4		2800 593
	11" x 3" Brakes					4	4	4	4	4	4	4		2800 607
	Shoe, Rr. Wheel Brake,													
	9" Brakes		4	4	4									2880 632
	10" x 1 3/4" Brakes		4	4	4	4	4							2880 547
	10" x 2 1/2" Brakes					4	4							2880 529
	11" x 2" Brakes							4	4					2823 192
	11" x 2 1/2" Brakes					4	4	4	4	4	4	4		2823 209
	11" x 3" Brakes							4	4	4	4	4	4	2800 607

REAR WHEEL BRAKE

	SHOE, w/Auto. Adjuster Lever PIN,													
	9" Brakes		1	1	1									2944 684-5
	10" x 1 3/4" Brakes, Except Sta. Wgn.		1	1	1	1	1							2944 686-7
	10" x 2 1/2" Brakes (includes Sta. Wgn.)					1	1							2944 678-9
	11 x 2" Brakes Exc. Sta. Wgn.							1	1					2944 688-9
	11 x 2 1/2" Brakes							1	1	1	1	1		2944 690-1
	11 x 3" Brakes												1	2944 682-3

FRONT WHEEL BRAKE

	SHOE, w/Auto. Adjuster Lever PIN,													
	Secondary,													
	9" Brakes		1	1	1									2944 674-5
	10" x 2 1/4" Brakes		1	1	1									2944 676-7
	10" x 2 1/2" Brakes					1	1							2944 678-9
	11 x 3" Brakes							1	1	1	1	1		2944 682-3
	11 x 2 3/4" Brakes							1	1	1	1	1		2944 680-1

NOTE: Brake Shoe only, not Serviced in Canada.

5-03-23	SPRING, Brake Shoe Return,													
	Frnt. and Rr.,													
	9" Brakes	6	4	4	4									2881 676
	10" Brakes, Secondary		4	4	4	4	4							2260 835
	10" Brakes, Primary		4	4	4	4	4							2267 044
	11" Brakes					8	8	8	8	8	8	8	8	2260 789
	11" Brakes, Heavy Duty					8	8	8	8					2768 024

TYPE LETTERS Indicates B - Barracuda V - Valiant L - Dart R - Belvedere W - Coronet P - Plymouth D - Dodge C - Chrysler Y - Imperial

AR Indicates use as required. Numerals in parentheses () refer to notes. Printed in U.S.A. # Indicates parts not listed in any previous parts book. ★ Indicates change or addition. January 1971

CODE	PART NAME	ENG. TYPE OR CU.IN.	V	B	L	R	W	P	D	C	C	C	Y	PART NUMBER	
			1-2	1-2	1-2	1-2	1-2	1-2	1-2	1	2	3	1		
5-05-0 DISC BRAKES															
5-05-1	HOUSING, Disc Brake,														
	"A" Body		1	1	1	—	—	—	—	—	—	—	—	2925 220-1	
	"B" Body		—	—	—	2	2	—	—	—	—	—	—	2925 222	
	"C" Body		—	—	—	—	—	1	1	1	1	1	—	2925 206-7	
	"C" Body		—	—	—	—	—	—	—	—	—	—	2	2925 223	
5-05-2	SCREW, Housing Attaching, Upper		—	—	—	—	—	—	—	—	—	—	2	6028 247	
	Lower		—	—	—	—	—	—	—	—	—	—	2	6028 248	
	Upper and Lower		—	—	—	4	4	—	—	—	—	—	—	6026 751	
	Upper and Lower		—	—	—	—	—	4	4	4	4	4	—	6028 247	
	Upper and Lower		4	4	4	—	—	—	—	—	—	—	—	2881 597	
	SCREW and WASHER, Clip Mtg.		4	4	4	—	—	—	—	—	—	—	—	2781 018	
5-05-3	HUB, w/DISC		1	1	1	—	—	—	—	—	—	—	—	2660 296-7	
			—	—	—	1	1	—	—	—	—	—	—	2823 284-5	
			—	—	—	—	—	1	1	1	1	1	—	2925 174-5	
			—	—	—	—	—	—	—	—	—	—	1	2534 896-7	
			—	—	—	—	—	1	1	1	1	1	—	429 023	
5-05-5	BOLT or SCREW, 7/16-20 x 1 1/8"		1	1	1	—	—	—	—	—	—	—	—	2881 594-5	
	TUBE, Housing Crossover		—	—	—	1	1	—	—	—	—	—	—	2852 033-4	
	NUT, Tube Both Ends		AR	AR	AR	AR	AR	AR	AR	AR	AR	AR	AR	137 396	
	NOTE: For P, D, C, Y Serviced by the Roll, cut to Size. See Part Type Code 5-53-3.														
5-05-8	SPRING, Frt. Wheel Brake Shoe		—	—	—	—	—	—	—	—	—	—	2	2534 160	
	Frt. Wheel Disc Brake Outer Shoe		—	—	—	—	—	2	2	2	2	2	—	2925 199	
5-05-9	SEAL and BOOT PACKAGE		1	1	1	—	—	—	—	—	—	—	—	2808 699	
			—	—	—	1	1	—	—	—	—	—	—	2808 401	
	SEAL, BOOT AND BUSHING PACKAGE		—	—	—	—	—	1	1	1	1	1	—	3004 865	
			—	—	—	—	—	—	—	—	—	—	1	2585 298	
5-05-10	PISTON, Frt. Wheel Disc Brake		8	8	8	—	—	—	—	—	—	—	—	2881 591	
			—	—	—	8	8	—	—	—	—	—	—	2823 289	
			—	—	—	—	—	—	—	—	—	—	8	2823 276	
			—	—	—	—	—	2	2	2	2	2	—	2925 201	
5-05-12	PAD, Disc Brake Piston		—	—	—	—	—	—	—	—	—	—	8	2534 135	
5-05-13	SPRING, Piston Return		—	—	—	8	8	—	—	—	—	—	—	2823 234	
			—	—	—	—	—	—	—	—	—	—	—	2534 140	
5-05-14	RING, Boot Retaining		—	—	—	—	—	—	—	—	—	—	8	2534 139	
5-05-16	SHIELD, Frt. Wheel Disc Brake Splash		—	—	—	—	—	—	—	—	—	—	1	2534 894-5	
			2	2	2	—	—	—	—	—	—	—	—	2823 288	
			—	—	—	2	2	—	—	—	—	—	—	2823 227	
			—	—	—	—	—	1	1	1	1	1	—	2925 186-7	
5-05-17	SEAL, Splash Shield to Knuckle		—	—	—	—	—	2	2	2	2	2	—	2925 188	
			—	—	—	2	2	—	—	—	—	—	—	2823 229	
			—	—	—	—	—	—	—	—	—	—	2	2781 599	
			2	2	2	—	—	—	—	—	—	—	—	2781 545	
	SEAL, Frt. Wheel Disc Brake Crossover		—	—	—	—	—	—	—	—	—	—	4	2534 141	
5-05-29	Clip, Frt. Whl. Disc Brake Shoe		—	—	—	—	—	—	—	—	—	—	—	—	
	Anti-Rattle		4	—	4	—	—	—	—	—	—	—	—	2881 596	
5-05-33	INSERT, Frt. Wheel Disc Brake Inner Housing		—	—	—	—	—	—	—	—	—	—	2	2072 678	
5-05-34	VALVE, Brake Tube Proportioning		1	1	1	1	1	—	—	—	—	—	—	2852 045	
	CLAMP, Proportioning Valve Mtg.		1	1	1	1	1	—	—	—	—	—	—	2852 043	
	NOTE: See Part Type Code 5-107-34 for Metering Valve.														
5-05-35	LOCKWASHER, Frt. Wheel Disc Brake Housing		4	4	4	—	—	—	—	—	—	—	—	2881 598	
5-05-37	NUT, Brake Tee to Hose Tube Tee w/o Disc Brake		2	2	2	2	2	—	—	—	—	—	—	2852 044	
			—	—	—	—	—	2	2	2	2	—	2	2852 044	
5-05-41	PIN, Frt. Wheel Disc Brake Housing Lock		—	—	—	—	—	4	4	4	4	4	—	2925 208	
5-05-43	ADAPTER, Frt. Wheel Disc Brakes		—	—	—	—	—	2	2	2	2	2	—	2925 209	
5-05-45	BUSHING PACKAGE, Frt. Wheel Locating Pin		—	—	—	—	—	2	2	2	2	2	—	3004 864	

TYPE LETTERS Indicates B - Barracuda V - Valiant R - Belvedere P - Plymouth C - Chrysler
L - Dart W - Coronet D - Dodge Y - Imperial

AR Indicates use as required. Numerals in parentheses () refer to notes. Printed in U.S.A.
Indicates parts not listed in any previous parts book. ★ Indicates change or addition. January 1971

CODE	PART NAME	ENG. TYPE OR CU.IN.	V	B	L	R	W	P	D	C	C	C	Y	PART NUMBER
			1-2	1-2	1-2	1-2	1-2	1-2	1-2	1	2	3	1	
5-05-0 DISC BRAKES Cont'd.														
5-05-46	POSITIONER, Frt. Wheel Disc Brake		—	—	—	—	—	2	2	2	2	2	—	2944 722-3
5-12-0 WHEEL CYLINDER PISTON PUSH ROD														
5-12-1	ROD, Frt. and Rr. Wheel Brake Cylinder Piston		4	4	4	4	4	4	4	4	4	4	4	2260 787
5-13-0 WHEEL BRAKE SUPPORT														
5-13-1	SUPPORT, Frt. Wheel Brake, 9" Brakes	6	2	2	2	—	—	—	—	—	—	—	—	2880 501
	10" x 2 1/4" Brakes		1	1	1	—	—	—	—	—	—	—	—	2880 502-3
	10" x 2 1/2" Brakes		—	—	—	2	2	—	—	—	—	—	—	2880 532
	11" x 2 3/4" Brakes		—	—	—	—	—	2	2	2	2	2	—	2880 533
	11" x 3" Brakes, w/Man. Adj.		—	—	—	2	2	—	—	—	—	—	—	2880 534
	11" x 3" Brakes, w/Auto. Adj.		—	—	—	—	—	2	2	2	2	2	—	2880 535
	SUPPORT, Rr. Wheel Brake, 9" Brakes	6	1	1	1	—	—	—	—	—	—	—	—	2880 568-9
	10" x 1 3/4" Brakes, w/7 1/4" Axle		1	1	1	—	—	—	—	—	—	—	—	2880 570-1
	10" x 1 3/4" Brakes, w/8 3/4" Axle	8	1	1	1	—	—	—	—	—	—	—	—	2880 582-3
	10" x 1 3/4" Brakes, w/7 1/4" Axle		—	—	—	1	1	—	—	—	—	—	—	2880 582-3
	10" x 2 1/2" Brakes		—	—	—	1	1	—	—	—	—	—	—	2880 602-3
	11" x 2" Brakes		—	—	—	—	—	1	1	—	—	—	—	2880 626-7
	11" x 2 1/2" Brakes		—	—	—	1	1	1	1	1	1	1	—	2880 646-7
	11" x 3" Brakes		—	—	—	—	—	1	1	1	1	1	—	2880 648-9
5-13-7	GASKET, Axle Housing Brake Support Plate													
	7/64" thk., 2.74" I.D.		4	4	4	—	—	—	—	—	—	—	—	2467 095
	7/64" thk., 2.87" I.D.		2	2	2	2	2	2	2	2	2	2	2	2070 933
	7/64" thk., 2.92" I.D.		2	2	2	2	2	—	—	—	—	—	—	2881 314
5-13-9	BOLT, Frt. Wheel Brake Mtg., Lower		—	—	—	—	—	4	4	4	4	4	—	6027 605
	Upper		4	4	4	4	4	4	4	4	4	—	—	2207 604
	Lower		—	—	—	4	4	—	—	—	—	—	—	2207 606
	Upper		4	4	4	—	—	—	—	—	—	—	—	2072 682
	Lower		4	4	4	—	—	—	—	—	—	—	—	2072 681
	BOLT, Rr. Wheel Brake Mtg.		10	10	10	10	10	10	10	10	10	10	10	2404 164
			8	8	8	8	8	8	8	—	—	—	—	2265 572
5-13-10	NUT, Frt. Wheel Brake Mtg. Bolt, Upper		4	4	4	4	4	4	4	4	4	4	—	601 014
	Lower		AR	AR	AR	—	—	—	—	—	—	—	—	1825 351
	NUT, Rr. Wheel Brake Mtg. Bolt, Washer Insert Hex. Lock Nut Type		AR	AR	AR	AR	AR	AR	AR	AR	AR	AR	AR	1927 232
	Lock Nut, w/Flange Type		1	1	1	1	1	1	1	1	1	1	1	2404 168
5-13-22	SEAL, Frt. Wheel Brake Support to Strg. Knuckle, 10" and 11" Brakes		2	2	2	2	2	2	2	2	2	—	—	2266 890
	9" Brakes		2	2	2	—	—	—	—	—	—	—	—	2401 960
5-13-35	COVER, Wheel Adj. Screw Hole		4	4	4	4	4	4	4	4	4	4	4	2072 614
5-20-0 WHEEL BRAKE ADJUSTER														
5-20-1	SCREW, Wheel Brake Auto. Adj. Pivot, 9", 10" and 11" Brakes		2	2	2	2	2	2	2	2	2	2	2	2881 686-7
	Wheel Brake, Manual Adj., 11" Brakes		—	—	—	2	2	2	2	2	2	—	—	2265 201
5-20-4	SPRING, Wheel Brake, Man. Adj. Screw Lock, 11" Brakes		—	—	—	2	2	2	2	2	2	—	—	2944 844
5-20-9	LEVER, Frt. and Rr. Wheel Brake w/Auto. Adj., 9" 10" and 11" Brakes		2	2	2	2	2	2	2	2	2	2	2	3461 665

TYPE LETTERS Indicates

B - Barracuda

V - Valiant
L - DartR - Belvedere
W - CoronetP - Plymouth
D - DodgeC - Chrysler
Y - Imperial

AR Indicates use as required.

Indicates parts not listed in any previous parts book.

Numerals in parentheses () refer to notes.

★ Indicates change or addition.

Printed in U.S.A.
January 1971

CODE	PART NAME	ENG. TYPE OR CU.IN.	V	B	L	R	W	P	D	C	C	C	Y	PART NUMBER
			1-2	1-2	1-2	1-2	1-2	1-2	1-2	1	2	3	1	
5-20-0 WHEEL BRAKE ADJUSTER Cont'd.														
5-20-10	CABLE, Frt. Wheel Brake, Auto. Adj., 9" Brake		4	4	4	—	—	—	—	—	—	—	—	3461 662
	10" Brake		4	4	4	4	4	—	—	—	—	—	—	3461 663
	11" Brake		—	—	—	—	—	4	4	4	4	4	—	2266 270
	Spring Type		—	—	—	—	—	4	4	4	4	4	—	3461 664
	CABLE, Rr. Wheel Brake, 9" Brake		4	4	4	—	—	—	—	—	—	—	—	3461 662
	10" Brake		4	4	4	4	4	—	—	—	—	—	—	3461 663
	11" Brake		—	—	—	—	—	4	4	4	4	4	4	2266 270
5-20-11	GUIDE, Frt. and Rr. Wheel Brake Spring Type		4	4	4	4	4	4	4	4	4	4	4	2260 793
			—	—	—	—	—	4	4	4	4	4	—	3461 664
5-20-15	NUT, Frt. and Rr. Wheel Brake Auto. Adj. Pivot Screw, 9" and 10" Brakes and 11" Brakes 10" and 11" Brakes Man. Adj. Rr.		4	4	4	4	4	4	4	4	4	4	4	2944 692-3
			—	—	—	2	2	2	2	2	2	2	—	2260 671
5-20-17	BUTTON, Frt. and Rr. Wheel Brake Auto. Adj., 9", 10" and 11" Brakes		4	4	4	4	4	4	4	4	4	4	4	2944 586
	SOCKET, Wheel Brake Man. Adj. Screw, 11" Brakes		—	—	—	4	4	4	4	4	4	4	4	2265 068
5-20-18	WASHER, Frt. Wheel Brake Auto. Adj. Button, 9", 10" and 11" Brakes		4	4	4	4	4	4	4	4	4	4	4	6027 559
5-20-20	SPRING, Wheel Brake Auto. Adj. Lever SPRING, Wheel Brake Auto. Adj., 9" Brake 10" Brake 11" Brake SPRING, Auto. Adj. Cable		4	4	4	4	4	4	4	4	4	4	4	2944 580-1
			4	4	4	—	—	—	—	—	—	—	—	2880 593
			4	4	4	4	4	—	—	—	—	—	—	2880 525
			—	—	—	—	—	4	4	4	4	4	4	2880 555
			4	4	4	4	4	—	—	—	—	—	—	3461 660

5-25-0 BRAKE SHOE GUIDE

5-25-9	PLATE, Wheel Brake Shoe Guide 9" Brake		4	4	4	—	—	—	—	—	—	—	—	2881 675
	10" Brake		4	4	4	4	4	—	—	—	—	—	—	2267 045
	11" Brake		—	—	—	—	—	4	4	4	4	4	4	2260 788

5-26-0 BRAKE SHOE GUIDE SPRING

5-26-1	SPRING, Wheel Brake Shoe Hold-Down, 9", 10" and 11" Brakes, 5 1/2" Total Coils		8	8	8	8	8	8	8	8	8	8	8	2260 791
	SPRING, RETAINER and PIN PACKAGE, Frt. and Rr. Brake Shoe Hold-Down, 9", 10" and 11" Brakes		2	2	2	2	2	2	2	2	2	2	2	2808 525
5-26-2	SEAT, Brake Shoe Hold-Down Spring, 10" and 11" Brakes 9", 10" and 11" Brakes		AR	AR	AR	AR	AR	AR	AR	AR	AR	AR	AR	2401 957
			8	8	8	8	8	8	8	8	8	8	8	2260 792
5-26-4	PIN, Brake Shoe Hold-Down Spring 2 1/8" lgh., Fig. 12 Stamped on Head		4	4	4	4	4	4	4	—	—	—	—	2405 720
	2 11/32" lgh., Fig. 1 Stamped on Head		4	4	4	4	4	4	4	4	4	4	4	2260 548
	2 5/8" lgh., Fig. 10 Stamped on Head		—	—	—	—	—	4	4	4	4	4	4	2260 549

5-27-0 BRAKE PEDAL AND BUSHING

5-27-1	PEDAL, w/Auto. Trans. w/Man. Trans., w/3 Speed w/Man. Brakes, w/Man. Trans.		1	1	1	—	—	—	—	—	—	—	—	2823 618
			1	1	1	—	—	—	—	—	—	—	—	2823 617
			—	—	—	—	—	1	1	1	1	1	—	2950 013

TYPE LETTERS Indicates

B - Barracuda

V - Valiant
L - DartR - Belvedere
W - CoronetP - Plymouth
D - DodgeC - Chrysler
Y - Imperial

AR Indicates use as required.

Indicates parts not listed in any previous parts book.

Numerals in parentheses () refer to notes.

★ Indicates change or addition.

Printed in U.S.A.

January 1971

CODE	PART NAME	ENG. TYPE OR CU.IN.	V	B	L	R	W	P	D	C	C	C	Y	PART NUMBER
			1-2	1-2	1-2	1-2	1-2	1-2	1-2	1	2	3	1	
5-27-0 BRAKE PEDAL AND BUSHING Cont'd.														
5-27-1	PEDAL Cont'd.													
	w/Man. Brakes, w/Auto. Trans.		—	—	—	—	—	1	1	1	1	1	—	2950 011
	w/Power Brakes, w/Man. Trans.		—	—	—	—	—	1	1	1	1	1	—	2950 018
	w/Power Brakes, w/Auto. Trans.		—	—	—	—	—	1	1	1	1	1	—	2925 579
	w/Man. Trans., w/4 Speed	8	1	1	1	—	—	—	—	—	—	—	—	2883 454
	w/Man. Trans.		—	—	—	1	1	—	—	—	—	—	—	2880 650
	w/Auto. Trans.		—	—	—	1	1	—	—	—	—	—	—	2880 651
5-27-2	SLEEVE Brake Pedal, 3 Speed Man. Trans.	6	1	1	1	—	—	—	—	—	—	—	—	2073 634
	4 Speed Man. Trans., H/Duty Brake Pedal Shaft		1	1	1	—	—	—	—	—	—	—	—	2883 461
	BUSHING, Brake Pedal Hub, 3 Speed Man. Trans.	6	—	—	—	—	—	1	1	1	1	1	1	2950 289
	Brake Pedal		2	2	2	—	—	—	—	—	—	—	—	2467 771
			—	—	—	2	2	2	2	2	2	2	2	2467 770
5-27-6	LOCK, Brake Pedal Sleeve, 3 Speed Man. Trans.	6	1	1	1	—	—	—	—	—	—	—	—	2781 105
	w/4 Speed Man. Trans.	8	1	1	1	—	—	—	—	—	—	—	—	2883 463
5-27-12	NUT, Brake Pedal Sleeve Lock		1	1	1	—	—	—	—	—	—	—	—	2208 008
	Power Brake Pedal Push Rod Bolt		—	—	—	1	1	—	—	—	—	—	—	9423 870
5-27-21	BUSHING, Brake Pedal Hub		2	2	2	—	—	—	—	—	—	—	—	2883 482

5-28-0 BRAKE PEDAL PAD

5-28-8	PAD, Brake Pedal, w/Man. Trans., w/o Bezel		1	1	1	1	1	—	—	—	—	—	—	2643 712
	w/Man. Trans., w/o Bezel	8	—	—	—	—	—	1	1	1	1	1	—	2530 426
	w/Auto. Trans., w/o Bezel		1	1	1	1	1	—	—	—	—	—	—	2643 707
	w/Auto. Trans., w/Bezel, w/o Disc Brakes		—	—	—	—	—	1	1	1	1	—	—	2461 708
	w/Auto. Trans., w/o Bezel		—	—	—	—	—	1	1	—	—	—	—	2461 709
	w/Auto. Trans., w/Disc Brake, w/Bezel		—	—	—	—	—	1	1	1	1	1	1	2823 558
	w/Man. Trans. 3 Speed		—	—	—	—	—	1	1	—	—	—	—	2467 768
5-28-9	BEZEL, Brake Pedal Pad, w/Man. Trans.		—	—	—	—	—	1	1	1	1	1	—	2467 769
	w/Man. Trans.		—	1	1	—	1	—	—	—	—	—	—	2643 714
	w/Auto. Trans.		—	1	1	—	1	—	—	—	—	—	—	2643 709
	w/Auto. Trans., w/o Disc Brakes		—	—	—	—	—	1	1	1	1	—	—	2467 766
	w/Auto. Trans., w/Disc Brakes		—	—	—	—	—	1	1	1	1	1	1	2823 557

5-29-0 BRAKE PEDAL SHAFT

5-29-1	SHAFT, Brake Pedal, w/Man. Trans.		—	—	—	1	1	—	—	—	—	—	—	1730 009
	w/Auto. Trans.		—	—	—	1	1	—	—	—	—	—	—	2534 269
	w/Auto. Trans. or Man. Trans.		—	—	—	—	—	1	1	1	1	1	1	189 334
	w/Man. Trans., w/Man. Brake		—	—	—	—	—	1	1	1	1	1	1	2950 291
	w/Auto. Trans.		—	—	—	—	—	1	1	1	1	1	1	2405 105

5-31-0 BRAKE PEDAL BRACKET

5-31-11	REINFORCEMENT, Brake Pedal Bracket, w/Power Brakes		—	—	—	1	1	—	—	—	—	—	—	2534 248
	w/Man. Brakes		—	—	—	1	1	—	—	—	—	—	—	2534 271
	w/Power Brakes		—	—	—	—	—	1	1	1	1	1	1	2925 584
	w/Man. Brakes		—	—	—	—	—	1	1	1	1	1	—	2950 016
5-31-12	GASKET, Brake Pedal Bracket Reinforcement		—	—	—	1	1	—	—	—	—	—	—	2534 258
			—	—	—	—	—	1	1	1	1	1	1	2925 582
			1	1	1	—	—	—	—	—	—	—	—	2401 862

TYPE LETTERS Indicates

B - Barracuda

V - Valiant
L - DartR - Belvedere
W - CoronetP - Plymouth
D - DodgeC - Chrysler
Y - Imperial

AR Indicates use as required.

Indicates parts not listed in any previous parts book.

Numerals in parentheses () refer to notes.

★ Indicates change or addition.

Printed in U.S.A.

January 1971

CODE	PART NAME	ENG. TYPE OR CU.IN.	V	B	L	R	W	P	D	C	C	C	Y	PART NUMBER
			1-2	1-2	1-2	1-2	1-2	1-2	1-2	1	2	3	1	
5-31-0 BRAKE PEDAL BRACKET Cont'd.														
5-31-13	NUT and WASHER, Bracket Reinforcement to Dash		—	—	—	1	1	—	—	—	—	—	—	2076 232
5-31-15	BRACKET, Brake Pedal w/4 Speed Man. Trans.		—	—	—	—	—	1	1	1	1	1	1	2925 577
	w/3 Speed Man. Trans.		1	1	1	—	—	—	—	—	—	—	—	2883 460
			1	1	1	—	—	—	—	—	—	—	—	2880 684
			—	—	—	1	1	—	—	—	—	—	—	2881 572

5-39-0 MASTER CYLINDER

5-39-1	MASTER CYLINDER REPAIR PACKAGE, Manual and Power Drum Brake except Sta. Wgn. R.W.		1	1	1	1	1	1	1	1	1	1	1	2808 606
	Manual and Power Disc Brake		1	1	1	—	—	—	—	—	—	—	—	2808 601
	Power Disc Brakes		—	—	—	1	1	—	—	—	—	—	—	3420 117
	Power Disc Brakes		—	—	—	—	—	1	1	1	1	1	—	3420 120
	Power Drum Brakes Sta. Wgn.		—	—	—	1	1	—	—	—	—	—	—	3420 002
	Power Disc Brakes		—	—	—	—	—	—	—	—	—	—	1	2808 617
	Manual Drum Brakes Sta. Wgn.		—	—	—	1	1	—	—	—	—	—	—	2808 578
5-39-3	MASTER CYLINDER PACKAGE, Manual and Power Drum Brakes		1	1	1	—	—	1	1	1	1	—	—	2808 599
	Manual and Power Disc Brakes		1	1	1	—	—	—	—	—	—	—	—	2808 600
	Power Disc Brakes w/426 Eng.		—	—	—	1	1	—	—	—	—	—	—	2944 376
	Power Disc Brakes w/o 426 Eng.		—	—	—	1	1	—	—	—	—	—	—	2883 058
	Power Disc Brakes		—	—	—	—	—	1	1	1	1	1	—	2883 089
	Manual Power Drum Brakes exc. Sta. Wgn.		—	—	—	1	1	—	—	—	—	—	—	2808 577
	Power Drum Brakes Sta. Wgn.		—	—	—	1	1	—	—	—	—	—	—	2944 269
	Power Disc Brakes		—	—	—	—	—	—	—	—	—	—	1	2881 870
5-39-11	BOLT, Tandem Brake Master Cylinder Mtg.		—	—	—	4	4	4	4	4	4	4	—	2260 046
5-39-18	GASKET, Tandem Brake Master Cylinder Mtg.		1	1	1	1	1	1	1	1	1	1	—	2401 862
5-39-20	COVER, Tandem Brake Master Cylinder, w/Drum Brakes		1	1	1	1	1	1	1	1	1	1	—	2823 999
	Tandem Brake Master Cylinder Reservoir		—	—	—	—	—	—	—	—	—	—	1	2881 905
	w/Disc Brake		1	1	1	1	1	1	1	1	1	1	—	2881 511
5-39-24	GASKET, Master Cylinder Cover, w/Drum Brakes		1	1	1	1	1	1	1	1	1	1	—	2823 994
	w/Disc Brakes		1	1	1	1	1	1	1	1	1	1	—	2881 512
	w/Disc Brakes		—	—	—	—	—	—	—	—	—	—	1	2881 904
5-39-26	CLAMP, Master Cylinder Cover		1	1	1	1	1	1	1	1	1	1	—	2823 950
5-39-29	WIRE, Master Cylinder Cover Bail w/Disc Brakes		—	—	—	—	—	—	—	—	—	—	1	2881 903
	w/Disc Brakes		1	1	1	1	1	—	—	—	—	—	—	2881 513
			—	—	—	—	—	1	1	1	1	1	—	2944 381

5-40-0 MASTER CYLINDER BOOT

5-40-1	BOOT, Master Cylinder, w/Manual Disc Brakes		1	1	1	—	—	—	—	—	—	—	—	1828 388
	w/Manual Drum Brakes		1	1	1	1	1	1	1	1	1	1	—	1828 388
5-40-4	RETAINER, Master Cylinder Boot, w/Manual Disc Brakes		1	1	1	—	—	—	—	—	—	—	—	1828 389

5-44-0 MASTER CYLINDER PISTON

5-44-3	PISTON, Master Cylinder Pri. Piston, w/Disc Brakes		1	1	1	—	—	—	—	—	—	—	—	2881 503
--------	---	--	---	---	---	---	---	---	---	---	---	---	---	----------

TYPE LETTERS Indicates B - Barracuda V - Valiant R - Belvedere P - Plymouth C - Chrysler
L - Dart W - Coronet D - Dodge Y - Imperial

AR Indicates use as required. Numerals in parentheses () refer to notes. Printed in U.S.A.
Indicates parts not listed in any previous parts book. ★ Indicates change or addition. January 1971

CODE	PART NAME	ENG. TYPE OR CU.IN.	V	B	L	R	W	P	D	C	C	C	Y	PART NUMBER
			1-2	1-2	1-2	1-2	1-2	1-2	1-2	1	2	3	1	
5-44-0 MASTER CYLINDER PISTON Cont'd.														
5-44-8	STOP, Master Cylinder Pri. Piston, Power Drum		1	1	1	1	1	1	1	1	1	1	—	2265 635
	Manual Drum		1	1	1	1	1	1	1	1	1	1	—	1828 389
5-44-9	SCREW, Master Cylinder Pri. Piston Stop except Sta. Wgn. R.W.		1	1	1	1	1	1	1	1	1	1	—	2200 341
5-44-11	SEAL, Master Cylinder Stop Screw, w/Disc Brake		1	1	1	1	1	1	1	1	1	1	1	2881 519
5-47-0 MASTER CYLINDER PISTON PUSH ROD														
5-47-2	ROD, Master Cylinder Pri. Piston Push		1	1	1	—	—	—	—	—	—	—	—	2265 640 2534 246 2409 978
5-47-4	BOLT, Brake Pedal Master Cylinder Push Rod		1	1	1	1	1	1	1	1	1	1	1	2201 181
5-47-8	NUT, Brake Pedal Master Cylinder Push Rod Bolt		1	1	1	1	1	1	1	1	1	1	1	2122 266
5-47-10	RING, Master Cylinder Piston Push Rod		1	1	1	1	1	1	1	1	1	1	—	2074 960
5-47-13	SPRING, Tandem Brake Master Cylinder Secondary Piston Return		1	1	1	—	—	—	—	—	—	—	—	2881 518
5-52-0 MASTER CYLINDER BRAKE TUBE														
5-52-4	NUT, Master Cylinder to Brake Tee Tube Frt.	AR	AR	AR	AR	AR	AR	AR	AR	AR	AR	AR	AR	6026 887
	Master Cylinder to Brake Tee Tube Rr.	AR	AR	AR	AR	AR	AR	AR	AR	AR	AR	AR	AR	6026 888
	Master Cylinder Tube to Brake Tee Frt.	AR	AR	AR	AR	AR	AR	AR	AR	AR	AR	AR	AR	6026 436
	Master Cylinder Tube to Brake Tee Rr.	AR	AR	AR	AR	AR	AR	AR	AR	AR	AR	AR	AR	137 396
5-52-10	TUBE, Master Cylinder to Brake, Frt.	—	—	—	—	—	1	1	1	1	1	—	—	2880 409
	Rr.	—	—	—	—	—	1	1	1	1	1	—	—	2880 411
5-53-0 BRAKE TUBING AND COVER														
5-53-3	TUBING, 25 Foot Roll 3/16" O.D.	AR	AR	AR	AR	AR	AR	AR	AR	AR	AR	AR	AR	1843 251
	1/4" O.D.	AR	AR	AR	AR	AR	AR	AR	AR	AR	AR	AR	AR	1843 252
	5/16" O.D.	AR	AR	AR	AR	AR	AR	AR	AR	AR	AR	AR	AR	1843 253
	3/8" O.D.	AR	AR	AR	AR	AR	AR	AR	AR	AR	AR	AR	AR	1843 254
5-53-4	COVER, Tubing 25 foot Roll for 3/16" O.D. Tubing	AR	AR	AR	AR	AR	AR	AR	AR	AR	AR	AR	AR	1843 257
	1/4" O.D. Tubing	AR	AR	AR	AR	AR	AR	AR	AR	AR	AR	AR	AR	1843 258
5-54-0 REAR AXLE BRAKE TUBE														
5-54-4	NUT, Outer		2	2	2	2	2	2	2	2	2	2	2	2643 974
5-55-0 BRAKE TUBE														
5-55-1	TUBE, Frt. Brake Hose to													
	Rt. Disc Brake		1	1	1	—	—	—	—	—	—	—	—	2856 083
	Lt. Disc Brake		1	1	1	—	—	—	—	—	—	—	—	2856 081
	Rt. Disc Brake		—	—	—	1	1	—	—	—	—	—	—	2852 034
	Lt. Disc Brake		—	—	1	1	—	—	—	—	—	—	—	2852 033
5-56-0 BRAKE TUBE CLIP														
5-56-2	CLIP, Brake Tee to Rr. Hose Tube Barb Type		1	1	1	—	—	—	—	—	—	—	—	2207 933
	Brake Tee to Rr. Hose Tube Barb Type		—	—	—	1	1	—	—	—	—	—	—	2467 719
TYPE LETTERS Indicates														
B - Barracuda			V - Valiant L - Dart			R - Belvedere W - Coronet			P - Plymouth D - Dodge			C - Chrysler Y - Imperial		

AR Indicates use as required.

Indicates parts not listed in any previous parts book.

Numerals in parentheses () refer to notes.

★ Indicates change or addition.

Printed in U.S.A.

January 1971

CODE	PART NAME	ENG. TYPE OR CU.IN.	V	B	L	R	W	P	D	C	C	C	Y	PART NUMBER
			1-2	1-2	1-2	1-2	1-2	1-2	1-2	1	2	3	1	
5-56-0 BRAKE TUBE CLIP Cont'd.														
5-56-2	CLIP Cont'd.													
	Brake Tee to Frt. or Rr. Hose Tube		AR	AR	AR	AR	AR	AR	AR	AR	AR	AR	AR	2123 341
	Brake Tee to Rr. Hose Tube Sill		—	—	—	—	—	1	1	1	1	1	1	2781 518
	Brake Tee to Proportioning Valve Tube		1	1	1	—	—	—	—	—	—	—	—	2123 341
	Brake Tee to Rr. Hose Tube Rr. Reinforcement		1	1	1	—	—	—	—	—	—	—	—	2883 929
	Master Cylinder to Brake Tee Tube		1	1	1	1	1	—	—	—	—	—	—	2465 517
	Metering Valve to Rt. Hose Tube, w/Disc Brakes		—	—	—	—	—	AR	AR	AR	AR	—	—	1119 423
	Brake Tee to Metering Valve Tube, w/Disc Brakes		—	—	—	—	—	1	1	1	1	1	—	1119 423
5-57-0 BRAKE TUBE BRACKET														
5-57-2	BRACKET, Frt. Wheel Brake Hose to Knuckle,													
		Lt.	1	1	1	—	—	—	—	—	—	—	—	2852 373
		Rt.	1	1	1	—	—	—	—	—	—	—	—	2852 374
	Frt. Wheel Brake Hose to Disc Brake Tube,	Lt.	—	—	—	—	—	—	—	—	—	—	1	2660 866
		Rt.	—	—	—	—	—	—	—	—	—	—	1	2660 867
		Lt.	1	1	1	—	—	—	—	—	—	—	—	2660 874
		Rt.	1	1	1	—	—	—	—	—	—	—	—	2660 873
	BRACKET, Rr. Axle Brake Hose		—	—	—	—	—	1	1	1	1	1	1	2460 676
	Rr. Axle Brake Hose		—	—	—	1	1	—	—	—	—	—	—	2823 304
	BRACKET, Frt. Wheel Brake Hose		—	—	—	—	—	2	2	2	2	2	—	2925 164
			—	—	—	—	—	—	—	—	—	—	2	2852 007
	BRACKET, Frt. Wheel Brake Hose to Disc Brake Tube,	Rt.	—	—	—	1	1	—	—	—	—	—	—	2852 032
		Lt.	—	—	—	1	1	—	—	—	—	—	—	2852 031
5-57-4	NUT, Frt. Wheel Brake Hose Tube to Disc Brake		—	—	—	2	2	—	—	—	—	—	—	2852 046
5-58-0 BRAKE TUBE TEE														
5-58-1	TEE, Brake Tube		1	1	1	1	1	—	—	—	—	—	—	3420 021
			—	—	—	—	—	1	1	1	1	1	1	3420 022
	Rr. Axle 7 1/4", except Sta. Wgn.		1	1	1	1	1	—	—	—	—	—	—	1940 621
	Rr. Axle 9 3/4", w/426, 440 Eng.	8	—	—	—	1	1	—	—	—	—	—	—	1940 622
	Rr. Axle 8 3/4"	8	1	1	1	1	1	1	1	1	1	1	1	1118 161
	SCREW, Brake Tube Tee, 5/16" - 18 x 3/4" x 1/2" Hex.		1	1	1	1	1	1	1	1	1	1	1	6027 183
	PLUG, Brake Tube Tee, Disc Brake only		—	—	—	—	—	1	1	1	1	1	1	6027 223
5-58-6	SHIELD, Brake Tube Tee Heat, w/383 Eng.		—	1	1	—	—	—	—	—	—	—	—	2880 482
5-58-9	SWITCH, Brake System Indicator		1	1	1	1	1	1	1	1	1	1	1	2822 023
5-58-12	"O" RING, Brake Tee to Indicator		1	1	1	1	1	1	1	1	1	1	1	2881 984
5-58-13	SPRING, Nut		—	—	—	1	1	—	—	—	—	—	—	152 267
	SCREW, Spring Nut		—	—	—	1	1	—	—	—	—	—	—	6026 860
5-62-0 BRAKE FLEXIBLE HOSE														
5-62-1	HOSE, Frt. Wheel Brake, w/9" Drum Brakes		2	2	2	—	—	—	—	—	—	—	—	2856 085
	w/10" Drum Brakes		2	2	2	—	—	2	2	2	2	—	—	2534 613
	w/Drum Brakes		—	—	—	2	2	—	—	—	—	—	—	2208 495
	w/Disc Brakes		—	—	—	2	2	—	—	—	—	—	—	2852 030
	w/Disc Brakes		2	2	2	—	—	—	—	—	—	—	—	2660 871
	w/Disc Brakes		—	—	—	—	—	2	2	2	2	—	—	2925 163

TYPE LETTERS Indicates B - Barracuda V - Valiant L - Dart R - Belvedere W - Coronet P - Plymouth D - Dodge C - Chrysler Y - Imperial

AR Indicates use as required. Numerals in parentheses () refer to notes. Printed in U.S.A. January 1971
 # Indicates parts not listed in any previous parts book. ★ Indicates change or addition.

CODE	PART NAME	ENG. TYPE OR CU.IN.	V	B	L	R	W	P	D	C	C	C	Y	PART NUMBER
			1-2	1-2	1-2	1-2	1-2	1-2	1-2	1	2	3	1	
5-62-0 BRAKE FLEXIBLE HOSE Cont'd.														
5-62-1	HOSE Cont'd.													
	w/Disc Brakes		—	—	—	—	—	—	—	—	—	—	2	2781 519
	HOSE, Rr. Axle		1	1	1	—	—	—	—	—	—	—	—	1739 215
	Use w/9 3/4" Axle		—	—	—	1	1	—	—	—	—	—	—	2208 496
	Use w/7 1/4" and 8 3/4" Axle		—	—	—	1	1	—	—	—	—	—	—	2200 997
	Rr. Axle		—	—	—	—	—	1	1	1	1	1	1	1739 249
	w/ee, w/318 Eng. w/2.76 Ratio Axle		—	—	—	1	1	—	—	—	—	—	—	3404 301
	w/Tee w/318 Eng. w/2.76 Ratio Axle		—	—	—	—	—	1	1	—	—	—	—	3404 302
	w/Tee w/318 Eng. w/2.76 Ratio Axle		—	—	—	1	1	—	—	—	—	—	—	3404 301
	w/Tee w/318 Eng. w/2.76 Ratio Axle		—	—	—	—	—	1	1	—	—	—	—	3404 302
5-62-7	GASKET, Rr. Axle		—	—	—	—	—	1	1	—	—	—	—	2072 612
	Gasket, Frt. Whl. Brk. Cyl. Hose w/Disc Brakes		—	—	—	—	—	2	2	2	2	2	—	2072 612
5-62-20	LOCK, Wheel Brake Hose, Frt. and Rr.		AR	AR	AR	AR	AR	AR	AR	AR	AR	AR	AR	2208 893
5-63-0 WHEEL CYLINDER REPAIR PACKAGE														
5-63-1	CYLINDER REPAIR PACKAGE													
	Frt. Wheel, 9" Brakes		2	2	2	—	—	—	—	—	—	—	—	3004 547
	10" and 11" Brakes		2	2	2	2	2	2	2	2	2	2	—	3004 549
	Rr. Wheel, 9" x 2" Brakes		2	2	2	—	—	—	—	—	—	—	—	2808 695
	Rr. Wheel, 10" and 11" Brakes		2	2	2	2	2	2	2	2	2	2	—	2808 697
	Rr. Wheel, 11" x 3" Brakes		—	—	—	—	—	—	—	—	—	—	2	3004 500
5-64-0 WHEEL BRAKE CYLINDER														
5-64-1	CYLINDER, Frt. Wheel, 9" Brakes		1	1	1	—	—	—	—	—	—	—	—	2881 620-1
	Rt., w/10" and 11" Brakes		1	1	1	1	1	—	—	—	—	—	—	2881 628
	Lt., w/11" Brakes		—	—	—	—	—	1	1	1	1	1	—	2881 628
	Lt., w/10" and 11" Brakes		1	1	1	1	1	—	—	—	—	—	—	2881 629
	Rt., w/11" Brakes		—	—	—	—	—	1	1	1	1	1	—	2881 629
	CYLINDER, Rr. Wheel, 9" Brakes		2	2	2	—	—	—	—	—	—	—	—	2881 600
	w/10" and 11" Brakes		2	2	2	2	2	2	2	2	2	2	—	2881 606
	11" x 3" Brakes		—	—	—	—	—	—	—	—	—	—	2	2881 605
5-64-2	SCREW and WASHER, Wheel Brake Cylinder Mtg.		8	8	8	8	8	8	8	8	8	8	8	2266 876
	Rr. Wheel Brake Cylinder Mtg., 9" Brakes		4	4	4	—	—	—	—	—	—	—	—	2072 615
5-64-7	SEAL, Rr. Wheel Brake Cylinder		2	2	2	2	2	2	2	2	2	2	2	2534 663
5-66-0 WHEEL CYLINDER TUBE INSERT														
5-66-6	INSERT, Frt. and Rr. Wheel Cylinder Tube		2	2	2	2	2	2	2	2	2	2	2	2072 678
5-67-0 WHEEL CYLINDER BLEEDER SCREW														
5-67-1	SCREW, Bleeder w/Disc Brakes		2	2	2	2	2	2	2	2	2	2	2	2781 019
	w/Drum Brakes		2	2	2	2	2	2	2	2	2	2	—	2881 619
5-69-0 WHEEL CYLINDER BOOT														
5-69-1	BOOT, Frt. Wheel, 9" Brakes	6	4	4	4	—	—	—	—	—	—	—	—	2881 624
	10" and 11" Brakes		4	4	4	4	4	4	4	4	4	4	—	2881 634
	BOOT, Rr. Wheel, 9" Brakes	6	4	4	4	—	—	—	—	—	—	—	—	2881 604
	10" and 11" Brakes		4	4	4	4	4	4	4	4	4	4	4	2881 618

TYPE LETTERS Indicates

B - Barracuda

V - Valiant
L - DartR - Belvedere
W - CoronetP - Plymouth
D - DodgeC - Chrysler
Y - Imperial

AR Indicates use as required.

≠ Indicates parts not listed in any previous parts book.

Numerals in parentheses () refer to notes.

★ Indicates change or addition.

Printed in U.S.A.

January 1971

CODE	PART NAME	ENG. TYPE OR CU.IN.	V	B	L	R	W	P	D	C	C	C	Y	PART NUMBER
			1-2	1-2	1-2	1-2	1-2	1-2	1-2	1	2	3	1	
5-70-0 WHEEL CYLINDER PISTON														
5-70-1	PISTON, Wheel Brake Cylinder,													
	Frnt. Wheel,													
	9" Brakes	4	4	4	—	—	—	—	—	—	—	—	—	2072 655
	10" and 11" Brakes	4	4	4	4	4	4	4	4	4	4	4	—	2260 837
	Rr. Wheel,													
	9" Brakes	4	4	4	—	—	—	—	—	—	—	—	—	2072 656
	10" and 11" Brakes	4	4	4	4	4	4	4	4	4	4	4	—	2260 843
	11" w/Frt. Disc Brakes	—	—	—	—	—	—	—	—	—	—	—	4	2534 922
5-71-0 WHEEL CYLINDER PISTON CUP														
5-71-1	CUP, Frnt. Wheel Brake Cylinder Piston,													
	9" Brakes	4	4	4	—	—	—	—	—	—	—	—	—	2265 573
	10" Brakes	4	4	4	4	4	—	—	—	—	—	—	—	2260 838
	11" Brakes	—	—	—	4	4	4	4	4	4	4	4	—	2260 838
	CUP, Rr. Wheel Brake Cylinder Piston													
	9" Brakes	4	4	4	—	—	—	—	—	—	—	—	—	2265 574
	10" Brakes	4	4	4	4	4	—	—	—	—	—	—	—	2260 844
	11" Brakes	—	—	—	4	4	4	4	4	4	4	4	—	2260 844
	11" Brakes, w/Frt. Disc Brakes	—	—	—	—	—	—	—	—	—	—	—	4	2534 923
5-71-2	SPRING, Frnt. Wheel,													
	9" Brakes	2	2	2	—	—	—	—	—	—	—	—	—	1923 765
	10" Brakes	2	2	2	2	2	—	—	—	—	—	—	—	2260 839
	11" Brakes	—	—	—	2	2	2	2	2	2	2	2	—	2260 839
	SPRING, Rr. Wheel,													
	9" Brakes	2	2	2	—	—	—	—	—	—	—	—	—	2072 637
	10" Brakes	2	2	2	2	2	—	—	—	—	—	—	—	1923 765
	11" Brakes	—	—	—	2	2	2	2	2	2	2	2	2	1923 765
5-100-0 POWER BRAKE POWER UNIT														
5-100-1	POWER BRAKE PACKAGE for Field													
	Installation													
	w/Drum Brakes, Midland Ross Unit	1	1	1	—	—	—	—	—	—	—	—	—	3004 621
	w/Drum Brakes, Midland Ross or Bendix													
	except Sta. Wgn.	—	—	—	1	1	—	—	—	—	—	—	—	3004 622
	w/Drum Brakes, Bendix Unit Sta. Wgn.	—	—	—	1	1	—	—	—	—	—	—	—	3420 001
	w/Drum Brakes, Midland Ross Unit	—	—	—	—	—	1	1	1	1	1	—	—	3004 867
5-100-2	POWER UNIT													
	w/Power Drum or Disc Brake, Midland													
	Ross	1	1	1	—	—	—	—	—	—	—	—	—	2944 006
	w/Drum Brakes Bendix or Midland Ross													
	except Sta. Wgn.	—	—	—	1	1	—	—	—	—	—	—	—	3004 608
	w/Drum Brakes, Bendix, Sta. Wgn. Only	—	—	—	1	1	—	—	—	—	—	—	—	2944 270
	w/Drum Brakes, w/426 Eng. Bendix	—	—	—	1	1	—	—	—	—	—	—	—	2944 160
	w/Disc Brakes w/426 Eng. Less Linkage													
	Bendix	—	—	—	1	1	—	—	—	—	—	—	—	2881 801
	w/Drum Brakes Midland Ross	—	—	—	—	—	1	1	1	1	—	—	—	3004 829
	w/Disc Brakes Midland Ross	—	—	—	—	—	1	1	1	1	1	—	—	2944 048
	w/Disc Brakes Bendix	—	—	—	—	—	1	1	1	1	1	1	—	2883 091
	w/Drum Brakes w/426 Eng. Less Linkage													
	Bendix	—	—	—	1	1	—	—	—	—	—	—	—	2881 800
	w/Drum Brakes Midland Ross	—	—	—	—	—	1	1	1	1	1	—	—	2944 041
	w/Disc Brakes Bendix	—	—	—	1	1	—	—	—	—	—	—	—	2883 056
5-100-15	SPRING, Power Brake Lever Push Rod													
		—	—	—	1	1	—	—	—	—	—	—	—	2534 228
5-100-18	BUSHING, Lever Push Rod, Upper													
		—	—	—	1	1	—	—	—	—	—	—	—	2534 346
	Lower	—	—	—	1	1	—	—	—	—	—	—	—	2534 231
5-100-20	ROD, Brake Pedal to Booster Linkage													
	Push	1	1	1	—	—	—	—	—	—	—	—	—	2881 916
	Plunger Push	—	—	—	1	1	—	—	—	—	—	—	—	2534 233

TYPE LETTERS Indicates

B - Barracuda

V - Valiant
L - DartR - Belvedere
W - CoronetP - Plymouth
D - DodgeC - Chrysler
Y - Imperial

AR Indicates use as required.

≠ Indicates parts not listed in any previous parts book.

Numerals in parentheses () refer to notes.

★ Indicates change or addition.

Printed in U.S.A.
January 1971

CODE	PART NAME	ENG. TYPE OR CU.IN.	V	B	L	R	W	P	D	C	C	C	Y	PART NUMBER
			1-2	1-2	1-2	1-2	1-2	1-2	1-2	1	2	3	1	
5-100-0 POWER BRAKE POWER UNIT Cont'd.														
5-100-20	ROD Cont'd.													
	Plunger Push, w/Drum Brakes		—	—	—	—	—	1	1	1	1	—	—	2944 009
	Plunger Push, W/Disc Brakes		—	—	—	—	—	1	1	1	1	1	—	2944 116
5-100-26	BOOT, Plunger to Push Rod		1	1	1	1	1	1	1	1	1	1	—	2944 020
	Valve Push Rod, w/Disc Brakes		—	—	—	1	1	1	1	1	1	1	1	2534 349
	Pedal to Fire Wall		1	1	1	—	—	—	—	—	—	—	—	2643 731
	GUARD, Brake Pedal Linkage, w/426 Eng.		—	—	—	1	1	—	—	—	—	—	—	2467 592
	BOOT, Push Rod		—	—	—	1	1	1	1	1	1	—	—	2823 375
5-100-32	RETAINER, Rr. Cylinder Shell Boot, w/426 Eng.		—	—	—	1	1	—	—	—	—	—	—	2823 993
	Push Rod Boot except Sta. Wgn. R.W.		—	—	—	1	1	1	1	1	1	—	—	2823 378
	Master Cylinder Push Rod Seal		—	—	—	1	1	1	1	1	1	1	1	2401 885
	Push Rod to Plunger		1	1	1	1	1	1	1	1	1	1	—	2401 166
5-100-34	LEVER, w/Reaction RING		1	1	1	1	1	1	1	1	1	1	—	2944 019
5-100-62	SCREW, Master Cylinder Push Rod		1	1	1	1	1	1	1	1	1	1	—	2660 776
5-100-115	LINKAGE, w/Disc Brake, w/426 Eng.		—	—	—	1	1	—	—	—	—	—	—	2467 594
5-100-161	SEAL, Valve Body to Rr. Cylinder Shell		—	—	—	1	1	1	1	1	1	1	1	2401 126
	Valve Body to Reaction Hub Vacuum		—	—	—	1	1	1	1	1	1	1	1	2266 942
5-100-167	BUSHING, Power Brake Lever Hub		—	—	—	2	2	—	—	—	—	—	—	2467 770
5-100-180	RETAINER, Valve Body Silencer w/426 Eng.		—	—	—	1	1	—	—	—	—	—	—	2401 135
5-100-188	SCREW, Housing, Upper and Lower Housing, Center		—	—	—	4	4	—	—	—	—	—	—	2823 781
	Housing, Center		—	—	—	2	2	—	—	—	—	—	—	2823 989
5-100-189	HUB and LEVER, w/426 Eng.		—	—	—	1	1	—	—	—	—	—	—	2823 989
			—	—	—	1	1	—	—	—	—	—	—	2534 226
5-100-191	PIN, Lever Pivot, w/426 Eng.		—	—	—	1	1	—	—	—	—	—	—	2074 986
5-100-192	WASHER, Valve Operating Rod Bowed, w/426 Eng.		—	—	—	1	1	—	—	—	—	—	—	2075 005
	Brake Pedal Linkage Clevis Bowed, w/426 Eng.		—	—	—	2	2	—	—	—	—	—	—	2467 600
	Linkage Pin Spring		2	2	2	—	—	—	—	—	—	—	—	869 770
5-100-194	PIN, Brake Pedal Linkage Clevis, w/426 Eng.		—	—	—	1	1	—	—	—	—	—	—	2075 006
5-100-197	SILENCER, Valve Valve Body Rr., w/Disc Brakes		—	—	—	2	2	2	2	2	2	—	—	2823 380
	Valve Body Rr., w/Disc Brakes		—	—	—	1	1	1	1	1	1	1	1	2401 154
5-100-198	SLEEVE, Power Brake Lever Hub		—	—	—	1	1	—	—	—	—	—	—	2534 227
5-100-199	RETAINER, Valve Silencer		—	—	—	1	1	1	1	1	1	—	—	2823 381
5-100-206	PLATE and SEAL Except Sta. Wgn. R.W. Rr. Cylinder Shell Mtg., w/Disc Brakes		—	—	—	1	1	1	1	1	1	—	—	2401 894
	Rr. Cylinder Shell Mtg., w/Disc Brakes		—	—	—	1	1	—	—	—	—	—	—	2467 593
5-100-212	GROMMET, Vacuum Connector to Frnt. Housing		1	1	1	1	1	1	1	1	1	1	—	2467 576

5-101-0 POWER UNIT MOUNTING BRACKET

5-101-1	BRACKET and STUDS, Rt., w/426 Eng. Lt., w/426 Eng.		—	—	—	1	1	—	—	—	—	—	—	2823 991
			—	—	—	1	1	—	—	—	—	—	—	2823 990
5-101-5	SUPPORT, Power Brake to Dash Panel		1	1	1	—	—	—	—	—	—	—	—	2823 604
	BRACE, Power Brake to Fender Shield		1	1	1	—	—	—	—	—	—	—	—	2823 603
5-101-6	GASKET, Power Brake Mtg. to Dash		1	1	1	1	1	—	—	—	—	—	—	2401 862
5-101-16	SPACER, Bracket to Booster, w/426 Eng.		—	—	—	1	1	—	—	—	—	—	—	2823 992

5-105-0 POWER BRAKE VACUUM CHECK VALVE

5-105-1	VALVE and GROMMET PACKAGE, w/Drum or Disc Brakes		1	1	1	—	—	—	—	—	—	—	—	2808 609
	w/Drum or Disc, w/426 Eng.		—	—	—	1	1	—	—	—	—	—	—	2808 391

TYPE LETTERS Indicates

B - Barracuda

V - Valiant
L - DartR - Belvedere
W - CoronetP - Plymouth
D - DodgeC - Chrysler
Y - Imperial

AR Indicates use as required.

Indicates parts not listed in any previous parts book.

Numerals in parentheses () refer to notes.

★ Indicates change or addition.

Printed in U.S.A.
January 1971

CODE	PART NAME	ENG. TYPE OR CU.IN.	V	B	L	R	W	P	D	C	C	C	Y	PART NUMBER
5-105-0 POWER BRAKE VACUUM CHECK VALVE Cont'd.														
5-105-1	VALVE and GROMMET PACKAGE Cont'd.													
	w/Drum Brake, Midland Ross, except 426 Eng. except Sta. Wgn.		—	—	—	1	1	1	1	1	1	1	—	3004 625
	w/Drum Brake, Bendix, except 426 Eng.		—	—	—	1	1	1	1	1	1	—	—	3420 129
	w/Disc Brake, except 426 Eng.		—	—	—	1	1	1	1	1	1	1	1	3004 626
	w/Drum Brake Sta. Wgn.		—	—	—	1	1	—	—	—	—	—	—	3004 626
5-105-6	GROMMET, Vacuum Check Valve		—	—	—	1	1	1	1	1	1	1	1	2823 377
5-105-10	SEAL, Frt. Cylinder Shell, w/426 Eng.		—	—	—	1	1	—	—	—	—	—	—	2401 128
5-105-14	CAP, Vacuum Hose and Check Valve		—	—	—	1	1	1	1	1	1	1	1	2944 022

5-107-0 BOOSTER BRAKE TUBE

5-107-34	VALVE, Brake Tube Metering		—	—	—	—	—	1	1	1	1	1	—	2883 825
			—	—	—	—	—	—	—	—	—	—	1	2880 486
5-107-35	SLEEVE, Metering Valve to Rt. Hose Tube		—	—	—	—	—	—	—	—	—	—	2	2880 485
5-107-36	SEAL, Brake Tube Metering Valve		—	—	—	—	—	1	1	1	1	1	1	2880 499

5-110-0 POWER BRAKE HOSE CONNECTOR

5-110-18	CONNECTOR, Power Brake Vacuum,													
	1 Way		1	1	1	1	1	1	1	1	1	1	—	1944 154
	2 Way, w/A/Cond.		1	1	1	1	1	1	1	1	1	1	1	1944 092
	2 Way, w/o A/Cond.		1	1	1	1	1	—	—	—	—	—	1	2405 466
	3 Way, w/Fast Back		—	—	—	1	1	—	—	—	—	—	—	2944 031
	3 Way, w/A/Cond.		1	1	1	1	1	1	1	1	1	1	1	1948 838
	4 Way, w/A/Cond., w/ATC, W, Fast Back		—	—	—	—	1	1	1	—	—	—	1	2460 416

5-111-0 POWER BRAKE VACUUM HOSE

5-111-17	HOSE, Power Brake to Eng. Intake Manifold		—	1	1	1	1	1	1	1	1	1	1	2883 083
	Flexible Vacuum Hose, Power Brake to Eng.		AR	AR	AR	AR	AR	AR	AR	AR	AR	AR	—	883 031

5-113-0 POWER BRAKE AIR CLEANER

5-113-17	FILTER, Frt. Housing Air Intake		1	1	1	1	1	1	1	1	1	1	—	2467 575
	Rr. Cylinder Shell, w/426 Eng. Air Cleaner		—	—	—	1	1	—	—	—	—	—	—	2401 139
			—	—	—	2	2	2	2	2	2	—	—	2823 379
5-113-20	HUB, Air Intake		1	1	1	1	1	1	1	1	1	1	—	2467 578
5-113-21	COVER, Air Intake and Filter		1	1	1	1	1	1	1	1	1	1	—	2467 577
5-113-35	COVER, Rr. Wheel Brake Adj. Screw Hole		4	4	4	4	4	4	4	4	4	4	4	2072 614

NOTES

TYPE LETTERS Indicates	B - Barracuda	V - Valiant L - Dart	R - Belvedere W - Coronet	P - Plymouth D - Dodge	C - Chrysler Y - Imperial
------------------------	---------------	-------------------------	------------------------------	---------------------------	------------------------------

AR Indicates use as required.

≠ Indicates parts not listed in any previous parts book.

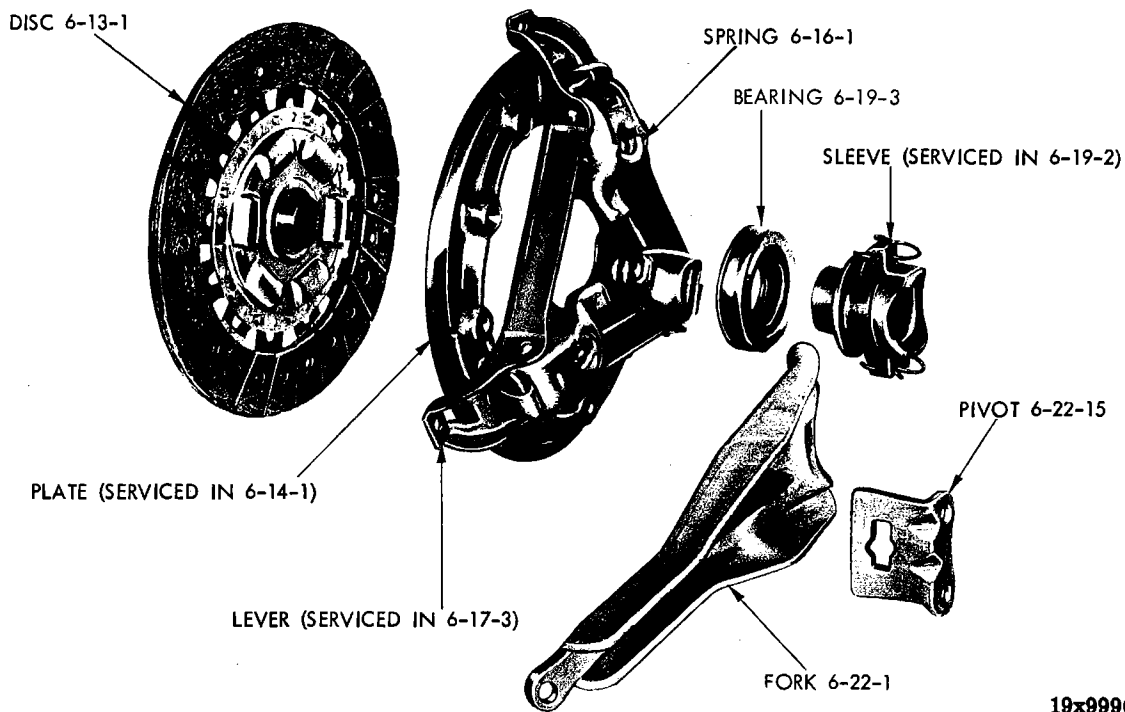
Numerals in parentheses () refer to notes.

★ Indicates change or addition.

Printed in U.S.A.

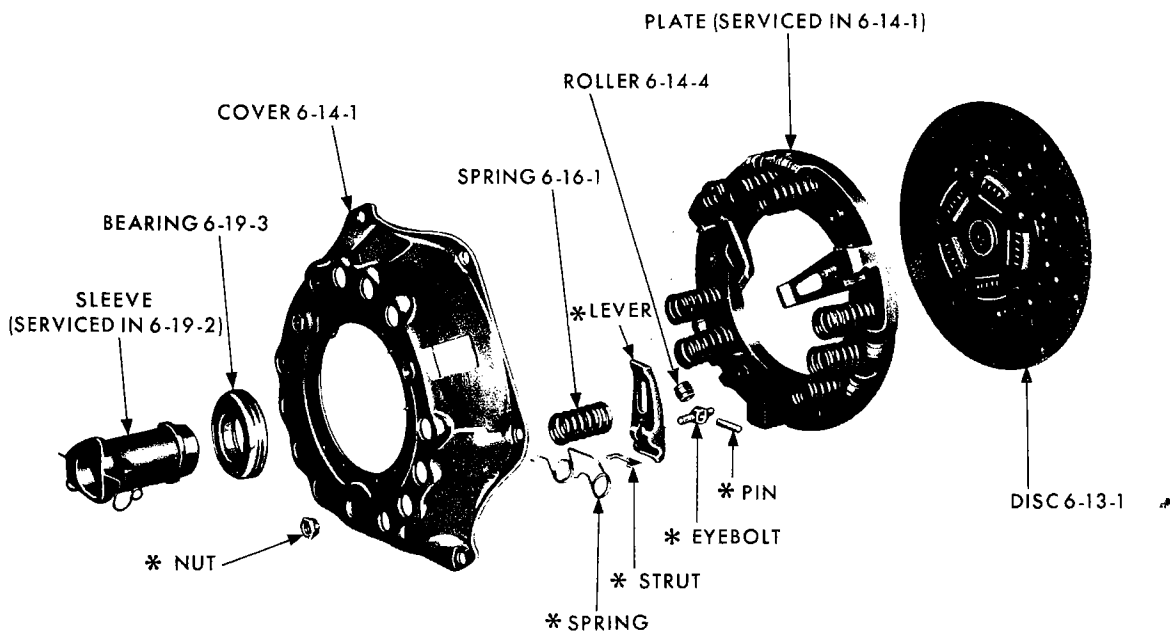
January 1971

GROUP 6 - CLUTCH



19x9996C

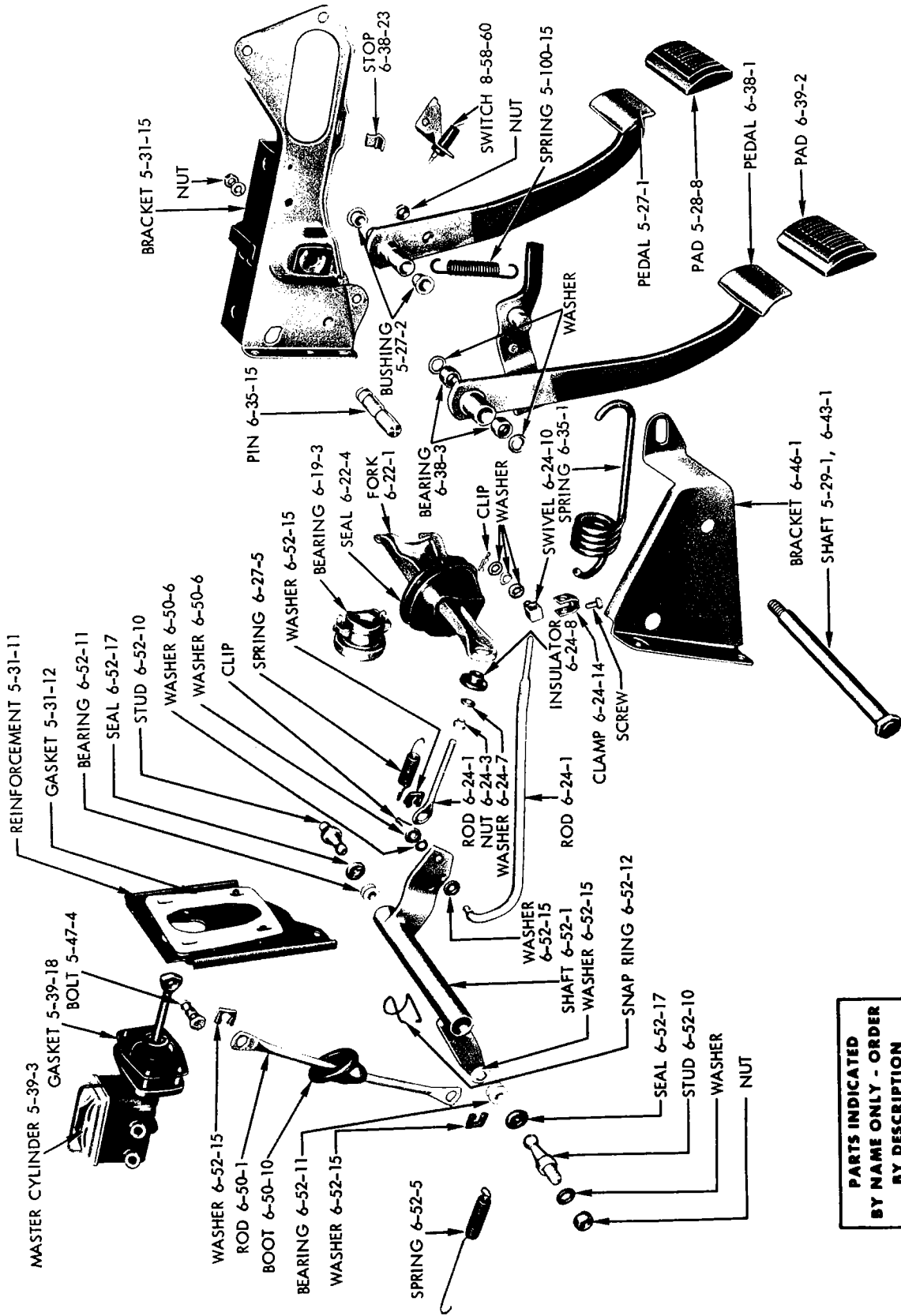
CLUTCH - 6 CYLINDER



* SERVICED IN LEVER PACKAGE 6-17-3

19x8633C

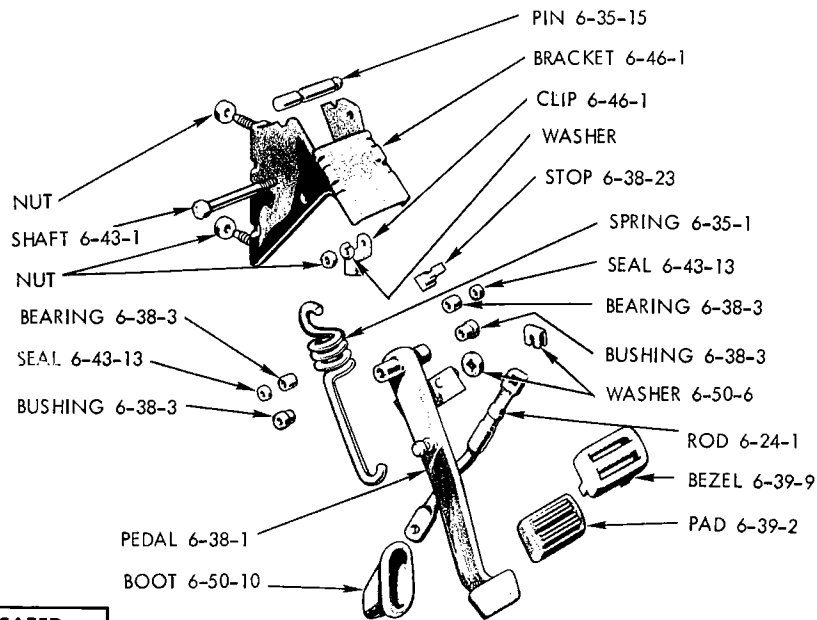
CLUTCH - 6 AND 8 CYLINDER



**PARTS INDICATED
BY NAME ONLY - ORDER
BY DESCRIPTION**

19a0637 D

CLUTCH AND BRAKE PEDAL LINKAGE - BELVEDERE, CORONET AND CHARGER



**PARTS INDICATED
BY NAME ONLY - ORDER
BY DESCRIPTION**

19a2520

CLUTCH PEDAL AND BRACKET - PLYMOUTH, DODGE AND CHRYSLER

NOTES

CODE	PART NAME	ENG. TYPE OR CU.IN.	V	B	L	R	W	P	D	C	C	C	Y	PART NUMBER
			1-2	1-2	1-2	1-2	1-2	1-2	1-2	1	2	3	1	
6-01-0 CLUTCH														
6-01-3	CLUTCH PACKAGE, 9 1/4" Clutch	6	1	1	1	1	1	1	—	—	—	—	—	2525 475
6-09-0 CLUTCH HOUSING														
6-09-1	HOUSING	6	1	1	1	—	—	—	—	—	—	—	—	2658 955
	Export only, w/4 Speed Trans.	6	1	1	1	—	—	—	—	—	—	—	—	2806 718
	273, 318, 340 Eng.	8	1	1	1	1	1	1	—	—	—	—	—	2892 480
	383 Eng., w/4 Speed Trans.	8	—	1	1	—	—	—	—	—	—	—	—	2536 945
	Std.	6	—	—	—	1	1	1	—	—	—	—	—	2658 955
	Heavy Duty	6	—	—	—	1	1	1	—	—	—	—	—	2536 918
	383, 440 Eng.	8	—	—	—	1	1	1	1	1	—	—	—	2892 624
	426 Eng., w/4 Speed Trans.	8	—	—	—	1	1	—	—	—	—	—	—	2892 257
6-09-11	STRUT, Housing to Cylinder Block	6	1	1	1	1	1	1	—	—	—	—	—	2468 197
	Canada only	6	—	—	—	—	—	—	1	—	—	—	—	2468 197
6-10-0 CLUTCH HOUSING PAN														
6-10-2	PAN	6	1	1	1	—	—	—	—	—	—	—	—	2129 885
	273, 318, 340 Eng.	8	1	1	1	—	—	—	—	—	—	—	—	2843 892
	383 Eng., w/4 Speed Trans.	8	—	1	1	—	—	—	—	—	—	—	—	2899 035
	Std.	6	—	—	—	1	1	1	—	—	—	—	—	2129 885
	Canada Only	6	—	—	—	—	—	—	1	—	—	—	—	2129 885
	Heavy Duty	6	—	—	—	1	1	1	—	—	—	—	—	2129 885
	Canada Only	6	—	—	—	—	—	—	1	—	—	—	—	2129 885
	318 Eng.	8	—	—	—	1	1	1	1	—	—	—	—	2843 892
	383, 426, 440 Eng.	8	—	—	—	1	1	1	1	1	—	—	—	2780 602
6-10-3	SCREW, w/WASHER, Pan Attaching		AR	AR	AR	AR	AR	AR	AR	AR	—	—	—	1947 953
6-10-10	SEAL, Housing Pan Dust	6	1	1	1	1	1	1	—	—	—	—	—	2463 173
	Canada only	6	—	—	—	—	—	—	1	—	—	—	—	2463 173
	273, 318, 340 Eng.	8	1	1	1	1	1	1	1	—	—	—	—	2892 911
6-13-0 CLUTCH DISC														
6-13-1	DISC, 9 1/4"	6	1	1	1	1	1	1	—	—	—	—	—	2448 336
	Canada only	6	—	—	—	—	—	—	1	—	—	—	—	2448 336
	9 1/2"	6	1	1	1	—	—	—	—	—	—	—	—	2401 120
	10", 273 Eng.	8	1	—	1	—	—	—	—	—	—	—	—	2200 051
	10 1/2", 318, 340, 383 Eng.	8	1	1	1	—	—	—	—	—	—	—	—	2266 232
	10 1/2", 318 Eng.	8	—	—	—	1	1	1	1	—	—	—	—	2266 232
	11"	6	—	—	—	1	1	1	—	—	—	—	—	2409 683
	Canada only	6	—	—	—	—	—	—	1	—	—	—	—	2409 683
	11", 383 Eng.	8	—	—	—	1	1	1	1	1	—	—	—	3410 254
	11", 426, 440 Eng.	8	—	—	—	1	1	1	1	—	—	—	—	3410 255
6-14-0 CLUTCH COVER AND PRESSURE PLATE														
6-14-1	COVER, w/PLATE, 9 1/4"	6	1	1	1	1	1	1	—	—	—	—	—	2525 464
	Canada only	6	—	—	—	—	—	—	1	—	—	—	—	2525 464
	9 1/2"	6	1	1	1	—	—	—	—	—	—	—	—	2800 827
	10", 273 Eng.	8	1	—	1	—	—	—	—	—	—	—	—	2122 254
	10 1/2", 340, 383 Eng.	8	—	1	1	—	—	—	—	—	—	—	—	2409 688
	10 1/2", 318 Eng.	8	1	1	1	1	1	1	—	—	—	—	—	2122 255
	11"	6	—	—	—	1	1	1	—	—	—	—	—	2409 682
	Canada only	6	—	—	—	—	—	—	1	—	—	—	—	2409 682
	11", 383 Eng.	8	—	—	1	1	1	1	1	1	—	—	—	3410 182
	11", 440 Eng.	8	—	—	—	1	1	1	1	—	—	—	—	3410 184
	11", 426 Eng.	8	—	—	—	1	1	—	—	—	—	—	—	3410 183
6-14-4	ROLLER, Centrifugal	8	AR	AR	AR	AR	AR	AR	AR	AR	—	—	—	2122 262
6-14-10	SCREW, Cover to Flywheel,													
	7/8" LGH.	6	AR	AR	AR	AR	AR	AR	—	—	—	—	—	307 555
	1" LGH.		AR	AR	AR	AR	AR	AR	AR	AR	—	—	—	314 926

TYPE LETTERS Indicates B - Barracuda V - Valiant R - Belvedere P - Plymouth C - Chrysler
 L - Dart W - Coronet D - Dodge Y - Imperial

AR Indicates use as required. Numerals in parentheses () refer to notes. Printed in U.S.A.
 = Indicates parts not listed in any previous parts book. ★ Indicates change or addition. January 1971

CODE	PART NAME	ENG. TYPE OR CU.IN.	V	B	L	R	W	P	D	C	C	C	Y	PART NUMBER
			1-2	1-2	1-2	1-2	1-2	1-2	1-2	1	2	3	1	
6-16-0 CLUTCH PRESSURE SPRING														
6-16-1	SPRING, 6 3/4 Coils, White		AR	AR	AR	AR	AR	AR	AR	AR	—	—	—	1406 504
	6 3/4 Coils, Red	6	AR	AR	AR	AR	AR	AR	—	—	—	—	—	2530 379
	7 Coils, White	6	AR	AR	AR	—	—	—	—	—	—	—	—	2800 826
	7 Coils, Black, 273 Eng.	8	AR	—	AR	—	—	—	—	—	—	—	—	1321 044
	7 1/4 Coils, Red		AR	AR	AR	AR	AR	AR	AR	—	—	—	—	1067 037
	7 3/4 Coils, Tan	8	—	AR	AR	AR	AR	AR	AR	AR	—	—	—	866 591
	7 3/4 Coils, Lavender, 273 Eng.		AR	—	AR	—	—	—	—	—	—	—	—	855 521
	8 3/4 Coils, Red Stripe	6	AR	AR	AR	AR	AR	AR	—	—	—	—	—	2208 268
6-17-0 CLUTCH RELEASE LEVER														
6-17-3	LEVER PACKAGE, 9 1/4" Clutch													
	(Borg and Beck)	6	1	1	1	1	1	1	—	—	—	—	—	2240 634
	9 1/4" Clutch (Auburn)	6	1	1	1	1	1	1	—	—	—	—	—	2525 473
	9 1/2" Clutch	6	1	1	1	—	—	—	—	—	—	—	—	2808 435
	10", 10 1/2", 11" Clutch	8	1	1	1	—	—	—	—	—	—	—	—	2495 052
	10", 10 1/2", 11" Clutch, 225, 318 Eng.		—	—	—	1	1	1	1	—	—	—	—	2495 052
	11" Clutch, 383 Eng	8	—	—	—	1	1	1	1	1	—	—	—	3420026
	11" Clutch, 426, 440 Eng.	8	—	—	—	1	1	—	—	—	—	—	—	3420 025
6-19-0 CLUTCH RELEASE BEARING														
6-19-2	BEARING, w/Sleeve		1	1	1	—	—	—	—	—	—	—	—	2405 077
	Std.	6	—	—	—	1	1	1	—	—	—	—	—	2405 077
	Heavy Duty	6	—	—	—	1	1	1	—	—	—	—	—	2461 494
	Canada only	6	—	—	—	—	—	—	1	—	—	—	—	2461 494
	318, 383 Eng	8	—	—	—	1	1	1	1	1	—	—	—	2405 077
	426 Eng.	8	—	—	—	1	1	—	—	—	—	—	—	2781 134
	440 Eng	8	—	—	—	1	1	—	—	—	—	—	—	2823 570
6-19-3	BEARING w/o Sleeve, Except													
	426, 440 Eng.		1	1	1	1	1	1	1	1	—	—	—	658998
	426, 440 Eng.	8	—	—	—	1	1	—	—	—	—	—	—	2530 444
6-20-0 CLUTCH RELEASE BEARING RETURN SPRING														
6-20-14	SPRING		2	2	2	2	2	2	2	2	—	—	—	2073 687
6-22-0 CLUTCH RELEASE FORK														
6-22-1	FORK, w/SPRING, except 383 Eng		1	1	1	—	—	—	—	—	—	—	—	2781 106
	383 Eng.	8	—	1	1	—	—	—	—	—	—	—	—	2643 702
	All		—	—	—	1	1	—	—	—	—	—	—	2643 702
	All		—	—	—	—	—	1	1	1	—	—	—	2260 047
6-22-4	SEAL, Fork		1	1	1	1	1	1	1	1	—	—	—	2260 021
6-22-15	PIVOT, except 383 Eng.		1	1	1	—	—	—	—	—	—	—	—	2800 848
	383 Eng.	8	—	1	1	—	—	—	—	—	—	—	—	2409 680
	225, 318 Eng.		—	—	—	1	1	—	—	—	—	—	—	2409 680
	383, 426, 440 Eng.	8	—	—	—	1	1	—	—	—	—	—	—	2892 263
	225, 318 Eng.		—	—	—	—	—	1	1	—	—	—	—	2260 719
	383 Eng.	8	—	—	—	—	—	1	1	1	—	—	—	2260 719
6-22-19	SPRING, except 383 Eng.		1	1	1	—	—	—	—	—	—	—	—	2823 559
	383 Eng.		—	1	1	—	—	—	—	—	—	—	—	2072 901
	All		—	—	—	1	1	1	1	1	—	—	—	2072 901

TYPE LETTERS Indicates

B - Barracuda

V - Valiant
L - DartR - Belvedere
W - CoronetP - Plymouth
D - DodgeC - Chrysler
Y - Imperial

AR Indicates use as required.

= Indicates parts not listed in any previous parts book.

Numerals in parentheses () refer to notes.

★ Indicates change or addition.

Printed in U.S.A.
January 1971

CODE	PART NAME	ENG. TYPE OR CU.IN.	V	B	L	R	W	P	D	C	C	C	Y	PART NUMBER
			1-2	1-2	1-2	1-2	1-2	1-2	1-2	1	2	3	1	
6-24-0 CLUTCH RELEASE ROD														
6-24-1	ROD, Release Fork, except 383 Eng.		1	1	1	—	—	—	—	—	—	—	—	2781 108
	383 Eng.	8	—	1	1	—	—	—	—	—	—	—	—	2883 478
	All		—	—	—	1	1	—	—	—	—	—	—	2534 240
	All		—	—	—	—	—	1	1	1	—	—	—	2461 745
	ROD, Interlock, 170, 225, 273, 318 Eng.		1	1	1	—	—	—	—	—	—	—	—	2950 288
	225, 318 Eng.		—	—	—	1	1	—	—	—	—	—	—	2823 546
	All		—	—	—	—	—	1	1	1	—	—	—	2823 544
	CLIP, Interlock Spring		2	2	2	2	2	2	2	2	—	—	—	6025 071
	WASHER, Interlock Spring		2	2	2	2	2	2	2	2	—	—	—	6012 072
6-24-3	NUT, Release Fork Rod Adjusting		1	1	1	1	1	1	1	1	—	—	—	1407 347
6-24-7	WASHER, Release Fork Rod Release Interlock		1	1	1	1	1	1	1	1	—	—	—	2461 483
			4	4	4	4	4	4	4	4	—	—	—	631 217
6-24-8	INSULATOR		1	1	1	1	1	1	1	1	—	—	—	2461 482
6-24-10	SWIVEL, Interlock		1	1	1	1	1	1	1	1	—	—	—	2404 859
6-24-14	CLAMP, Interlock		1	1	1	1	1	1	1	1	—	—	—	2204 274

6-27-0 CLUTCH RELEASE FORK RETURN SPRING

6-27-5	SPRING	6	1	1	1	—	—	—	—	—	—	—	—	2643 705
	Except 383 Eng.	8	1	1	1	—	—	—	—	—	—	—	—	2461 480
	383 Eng.		—	1	1	—	—	—	—	—	—	—	—	2643 705
	All	8	—	—	—	1	1	—	—	—	—	—	—	2643 705
	318 Eng.	8	—	—	—	—	—	1	1	—	—	—	—	2260 023

6-35-0 CLUTCH RELEASE OVER-CENTER SPRING

6-35-1	SPRING, Std.	6	1	1	1	—	—	—	—	—	—	—	—	2266 784
	Heavy Duty	6	1	1	1	—	—	—	—	—	—	—	—	2461 515
	Except 273 Eng.	8	1	1	1	—	—	—	—	—	—	—	—	2883 468
	273 Eng.	8	1	—	1	—	—	—	—	—	—	—	—	2461 515
	Std.	6	—	—	—	1	1	—	—	—	—	—	—	2534 530
	HEAVY DUTY	6	—	—	—	1	1	—	—	—	—	—	—	2534 239
	318 Eng.	8	—	—	—	1	1	—	—	—	—	—	—	2534 239
	383, 426, 440 Eng.	8	—	—	—	1	1	—	—	—	—	—	—	2950 936
	Std.	6	—	—	—	—	—	1	—	—	—	—	—	2461 523
	Heavy Duty	6	—	—	—	—	—	—	1	—	—	—	—	2461 523
	318 Eng.	8	—	—	—	—	—	—	1	—	—	—	—	2461 749
	383	8	—	—	—	—	—	—	1	1	1	—	—	2530 446
6-35-3	BRACKET	8	1	1	1	—	—	—	—	—	—	—	—	2883 464
6-35-9	HOOK, Spring	6	1	1	1	—	—	—	—	—	—	—	—	2266 777
	273 Eng.	8	1	—	1	—	—	—	—	—	—	—	—	2266 777
6-35-15	PIN, Over-Center Spring Anchor	8	1	1	1	—	—	—	—	—	—	—	—	2883 467
	All		—	—	—	1	1	—	—	—	—	—	—	2534 236
	All		—	—	—	—	—	1	1	1	—	—	—	2950 088

6-38-0 CLUTCH PEDAL

6-38-1	PEDAL	6	1	1	1	—	—	—	—	—	—	—	—	2781 145
	Std.	8	1	1	1	—	—	—	—	—	—	—	—	2883 457
	Heavy Duty	6	—	—	—	1	1	—	—	—	—	—	—	2823 572
	All	8	—	—	—	1	1	—	—	—	—	—	—	2823 607
	Std.	6	—	—	—	—	—	1	—	—	—	—	—	2950 076
	Canada Only	6	—	—	—	—	—	—	1	—	—	—	—	2950 076
	Heavy Duty	6	—	—	—	—	—	—	1	—	—	—	—	2950 082
	All	8	—	—	—	—	—	—	1	1	1	—	—	2950 082

TYPE LETTERS Indicates

B - Barracuda

V - Valiant
L - DartR - Belvedere
W - CoronetP - Plymouth
D - DodgeC - Chrysler
Y - Imperial

AR Indicates use as required.

= Indicates parts not listed in any previous parts book.

Numerals in parentheses () refer to notes.

★ Indicates change or addition.

Printed in U.S.A.
January 1971

CODE	PART NAME	ENG. TYPE OR CU.IN.	V	B	L	R	W	P	D	C	C	C	Y	PART NUMBER
			1-2	1-2	1-2	1-2	1-2	1-2	1-2	1	2	3	1	
6-38-0 CLUTCH PEDAL Cont'd.														
6-38-3	BUSHING, 170, 225	6	2	2	2	—	—	—	—	—	—	—	—	2467 770
		6	—	—	—	2	2	2	—	—	—	—	—	2467 770
	Canada only	6	—	—	—	—	—	—	2	—	—	—	—	2467 770
	BEARING	8	—	—	—	2	2	2	2	—	—	—	—	1946 377
		8	2	2	2	—	—	—	—	—	—	—	—	2883 462
6-38-7	SEAL, Bearing	8	2	2	2	—	—	—	—	—	—	—	—	2883 479
6-38-14	RING, Pedal Shaft Lock		1	1	1	—	—	—	—	—	—	—	—	2072 831
6-38-23	STOP, Pedal		1	1	1	1	1	—	—	—	—	—	—	2266 820
			—	—	—	—	—	1	1	1	—	—	—	1940 147
6-39-0 CLUTCH PEDAL PAD														
6-39-2	PAD		1	1	1	1	1	—	—	—	—	—	—	2643 712
	w/o Bezel		—	—	—	—	—	1	1	—	—	—	—	2467 768
	w/BEZEL		—	—	—	—	—	1	1	1	—	—	—	2530 426
6-39-9	BEZEL, Pad		—	1	1	—	1	—	—	—	—	—	—	2643 714
			—	—	—	—	—	1	1	1	—	—	—	2467 769
6-43-0 CLUTCH PEDAL SHAFT														
6-43-1	SHAFT		—	—	—	1	1	—	—	—	—	—	—	1730 009
			—	—	—	—	—	1	1	1	—	—	—	2950 290
6-43-7	WASHER, Shaft Ring		1	1	1	—	—	—	—	—	—	—	—	2073 632
	WASHER, Pedal Shaft	8	1	1	1	—	—	—	—	—	—	—	—	2823 548
	NUT, Pedal Shaft		—	—	—	—	—	1	1	1	—	—	—	120 369
6-43-13	SEAL, Pedal Bearing		—	—	—	2	2	2	2	2	—	—	—	1730 019
6-46-0 CLUTCH PEDAL BRACKET														
6-46-1	BRACKET, Pedal		—	—	—	1	1	—	—	—	—	—	—	2880 705
			—	—	—	—	—	1	1	1	—	—	—	2950 026
	CLIP,		—	—	—	—	—	1	1	1	—	—	—	6028 024
6-46-10	RETAINER, Pedal Bracket Stud		—	—	—	1	1	—	—	—	—	—	—	2781 125
6-50-0 CLUTCH PEDAL ROD														
6-50-1	ROD	6	1	1	1	—	—	—	—	—	—	—	—	2781 147
		8	1	1	1	—	—	—	—	—	—	—	—	2883 471
	Std.	6	—	—	—	1	1	—	—	—	—	—	—	2534 249
	Heavy Duty	6	—	—	—	1	1	—	—	—	—	—	—	2534 272
	318 Eng.	8	—	—	—	1	1	—	—	—	—	—	—	2534 249
	383, 426, 440 Eng.	8	—	—	—	1	1	—	—	—	—	—	—	2534 272
	Std.	6	—	—	—	—	—	1	—	—	—	—	—	2950 080
	Heavy Duty	6	—	—	—	—	—	1	—	—	—	—	—	2950 086
	318 Eng.	8	—	—	—	—	—	1	1	—	—	—	—	2950 080
	383	8	—	—	—	—	—	1	1	1	—	—	—	2950 086
6-50-6	WASHER, Pedal Dampener		1	1	1	1	1	1	1	1	—	—	—	2405 086
	Pedal Rod Pin Spring		1	1	1	1	1	1	1	1	—	—	—	2405 085
6-50-10	BOOT, Pedal Rod		1	1	1	1	1	—	—	—	—	—	—	2266 783
			—	—	—	—	—	1	1	1	—	—	—	2266 818
6-52-0 CLUTCH TORQUE SHAFT														
6-52-1	SHAFT, w/PINS	6	1	1	1	—	—	—	—	—	—	—	—	2950 251
	Except 383 Eng.	8	1	1	1	—	—	—	—	—	—	—	—	2950 238
	383 Eng.	8	—	1	1	—	—	—	—	—	—	—	—	2950 252
	Std.	6	—	—	—	1	1	—	—	—	—	—	—	2823 545
	Heavy Duty	6	—	—	—	1	1	—	—	—	—	—	—	2534 538

TYPE LETTERS Indicates

B - Barracuda

V - Valiant
L - DartR - Belvedere
W - CoronetP - Plymouth
D - DodgeC - Chrysler
Y - Imperial

AR Indicates use as required.

= Indicates parts not listed in any previous parts book.

Numerals in parentheses () refer to notes.

★ Indicates change or addition.

Printed in U.S.A.
January 1971

CODE	PART NAME	ENG. TYPE OR CU.IN.	V	B	L	R	W	P	D	C	C	C	Y	PART NUMBER
			1-2	1-2	1-2	1-2	1-2	1-2	1-2	1	2	3	1	
6-52-0 CLUTCH TORQUE SHAFT Cont'd.														
6-52-1	SHAFT Cont'd.													
	All	8	—	—	—	1	1	—	—	—	—	—	—	2534 538
	Std.	6	—	—	—	—	—	1	—	—	—	—	—	2950 091
	Canada only	6	—	—	—	—	—	—	1	—	—	—	—	2950 091
	Heavy Duty	6	—	—	—	—	—	1	—	—	—	—	—	2950 096
	Canada only	6	—	—	—	—	—	—	1	—	—	—	—	2950 096
	All	8	—	—	—	—	—	1	1	1	—	—	—	2950 096
6-52-4	HOOK, Retainer Spring 225, 383, Eng.	6	—	—	—	1	1	—	—	—	—	—	—	2823 600
6-52-5	SPRING, Shaft to Fork	6	—	—	—	1	1	—	—	—	—	—	—	2643 717
	Shaft Return	6	—	—	—	1	1	—	—	—	—	—	—	2823 601
	Shaft Return	6	—	—	—	—	—	1	1	1	—	—	—	2950 024
6-52-7	BRACKET, Shaft Return Spring	6	—	—	—	1	1	—	—	—	—	—	—	2823 602
	SCREW, Bracket	6	—	—	—	1	1	—	—	—	—	—	—	6022 834
6-52-8	SPACER, Bracket, 383 Eng.		—	1	1	—	—	—	—	—	—	—	—	2883 481
6-52-10	BRACKET, Shaft Engine	6	1	1	1	—	—	—	—	—	—	—	—	2781 121
	Except 383 Eng.	8	1	1	1	—	—	—	—	—	—	—	—	2925 588
	383 Eng.	8	—	1	1	—	—	—	—	—	—	—	—	2950 271
	Frame Clutch Torque Shaft		—	—	—	1	1	—	—	—	—	—	—	# 3466 475
	STUD, Shaft Engine		—	—	—	1	1	1	1	1	—	—	—	2461 765
	Shaft Frame		1	1	1	1	1	1	1	1	—	—	—	2461 766
6-52-11	BEARING, Shaft Pivot	4	4	4	4	4	4	4	4	4	—	—	—	2265 938
6-52-12	RING, Shaft Pivot Snap	1	1	1	1	1	1	1	1	1	—	—	—	2401 910
6-52-15	WASHER, Shaft Spring	2	2	2	2	2	2	2	2	2	—	—	—	2405 085
	Shaft Dampener	2	2	2	2	2	2	2	2	2	—	—	—	2405 086
6-52-17	SEAL, Shaft	2	2	2	2	2	2	2	2	2	—	—	—	2265 942

NOTES

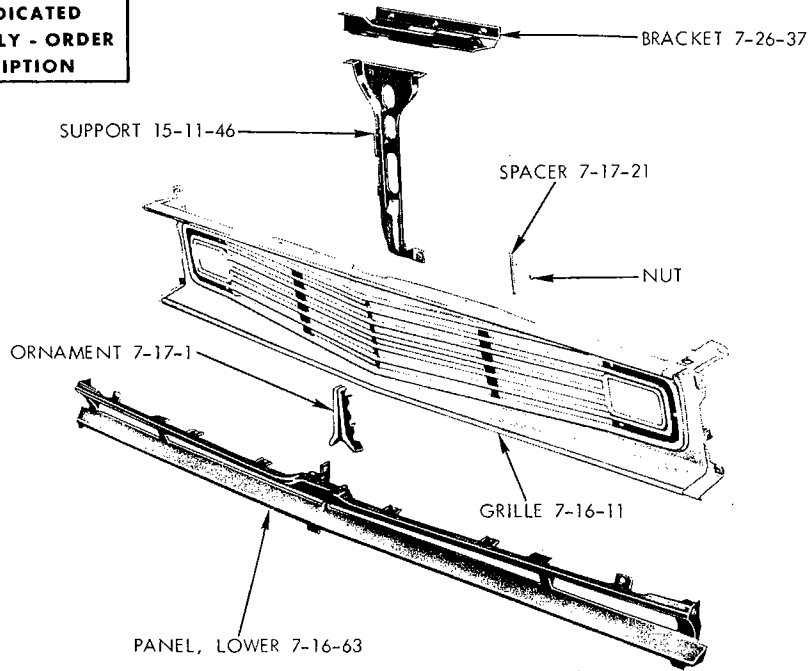
TYPE LETTERS Indicates B - Barracuda V - Valiant R - Belvedere P - Plymouth C - Chrysler
L - Dart L - Dart W - Coronet D - Dodge Y - Imperial

AR Indicates use as required. Numerals in parentheses () refer to notes. Printed in U.S.A.
= Indicates parts not listed in any previous parts book. ★ Indicates change or addition. January 1971

NOTES

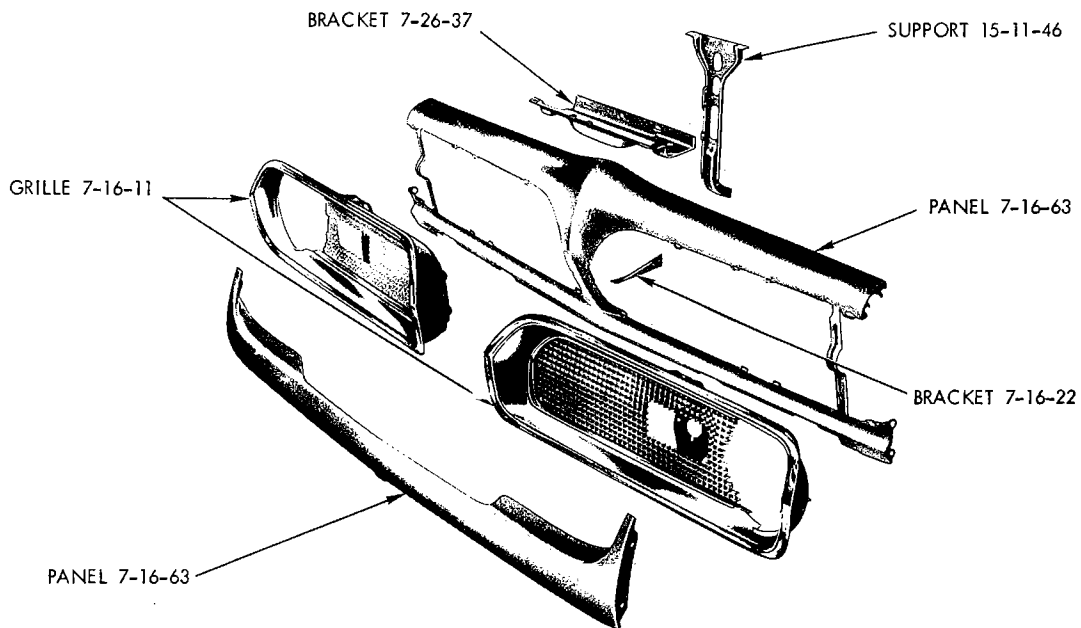
GROUP 7 - COOLING

PARTS INDICATED
BY NAME ONLY - ORDER
BY DESCRIPTION



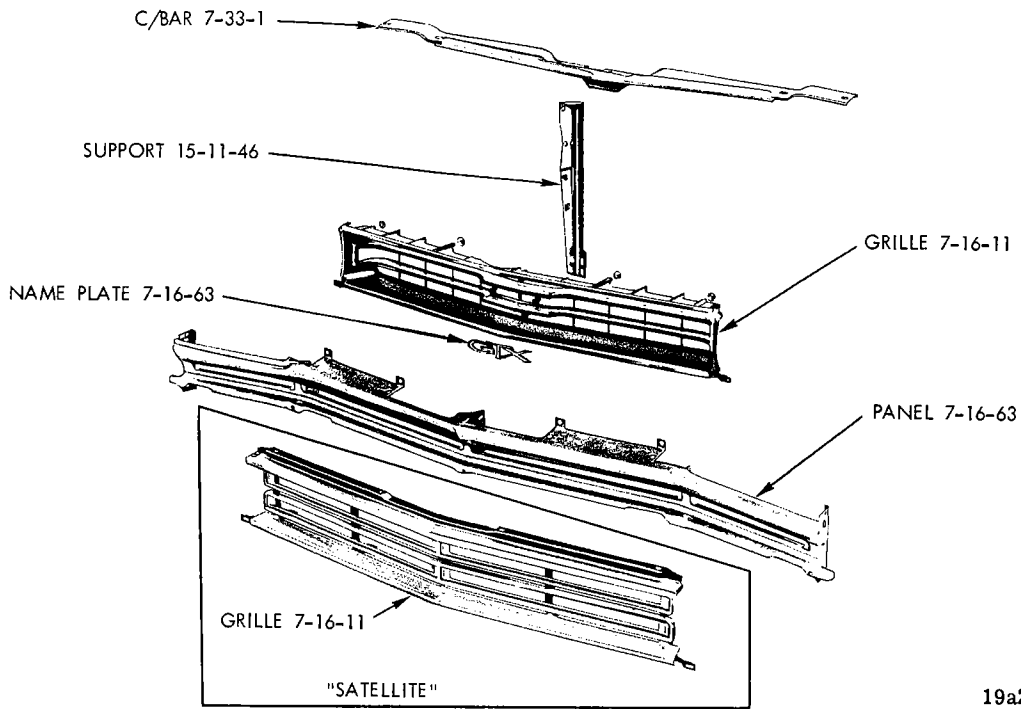
19a2684

GRILLE - VALIANT



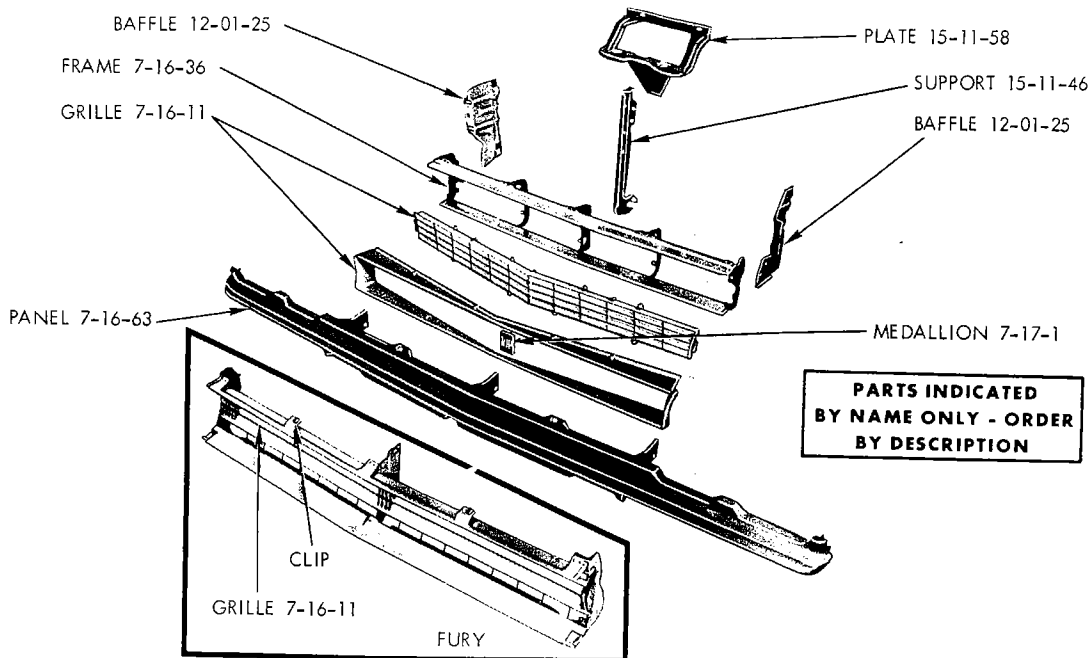
19a2683

GRILLE - BARRACUDA



19a2685

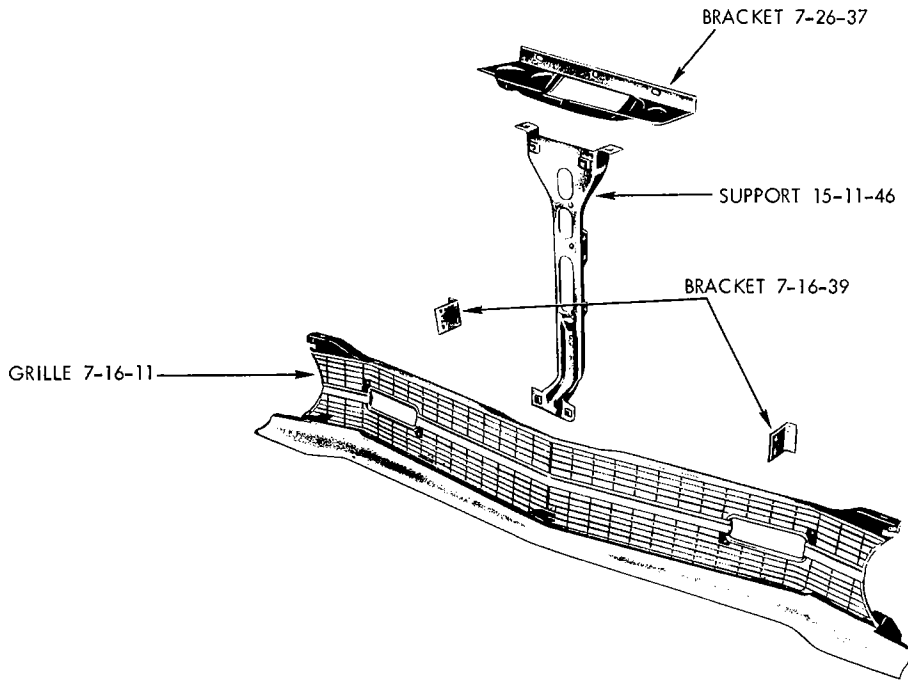
GRILLE - BELVEDERE SATELLITE AND GTX
(TYPICAL OF BELVEDERE)



PARTS INDICATED
BY NAME ONLY - ORDER
BY DESCRIPTION

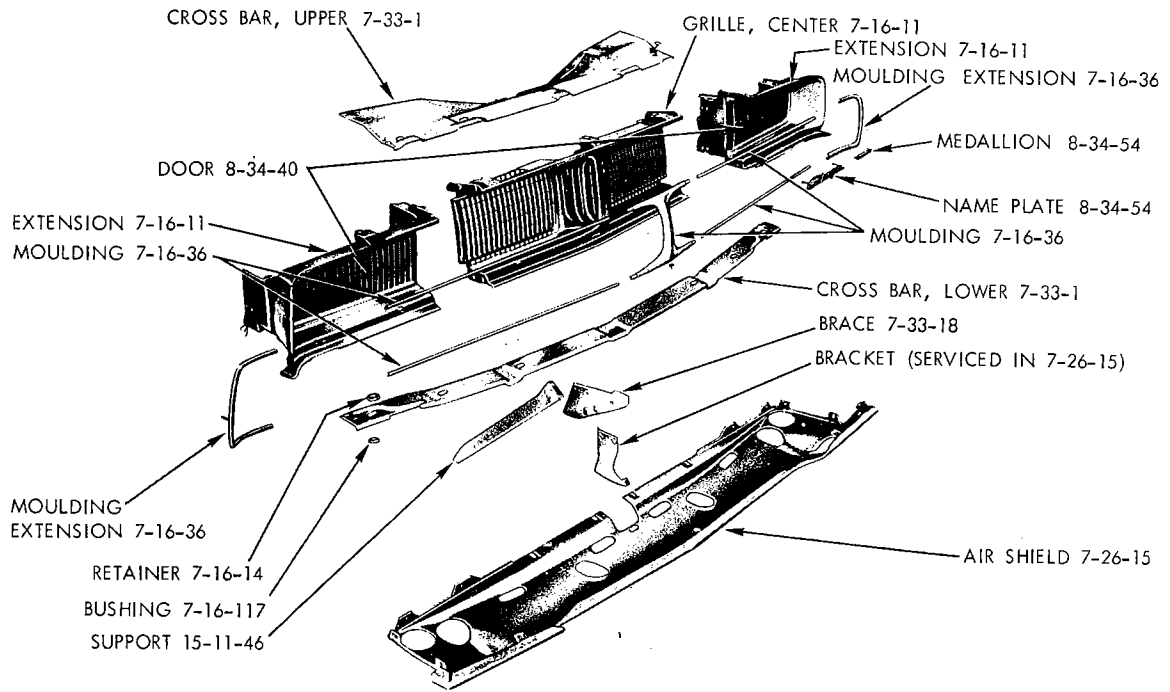
19a2656

GRILLE - PLYMOUTH
(WITH FURY INSERT)



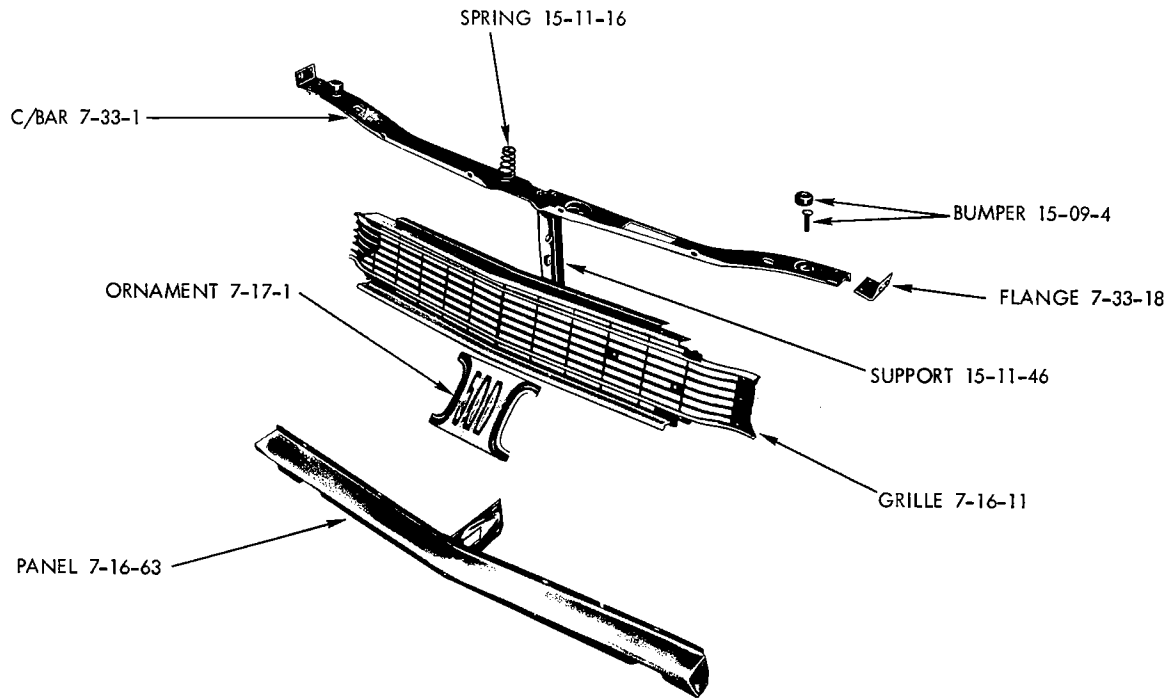
19a2511

GRILLE - DART



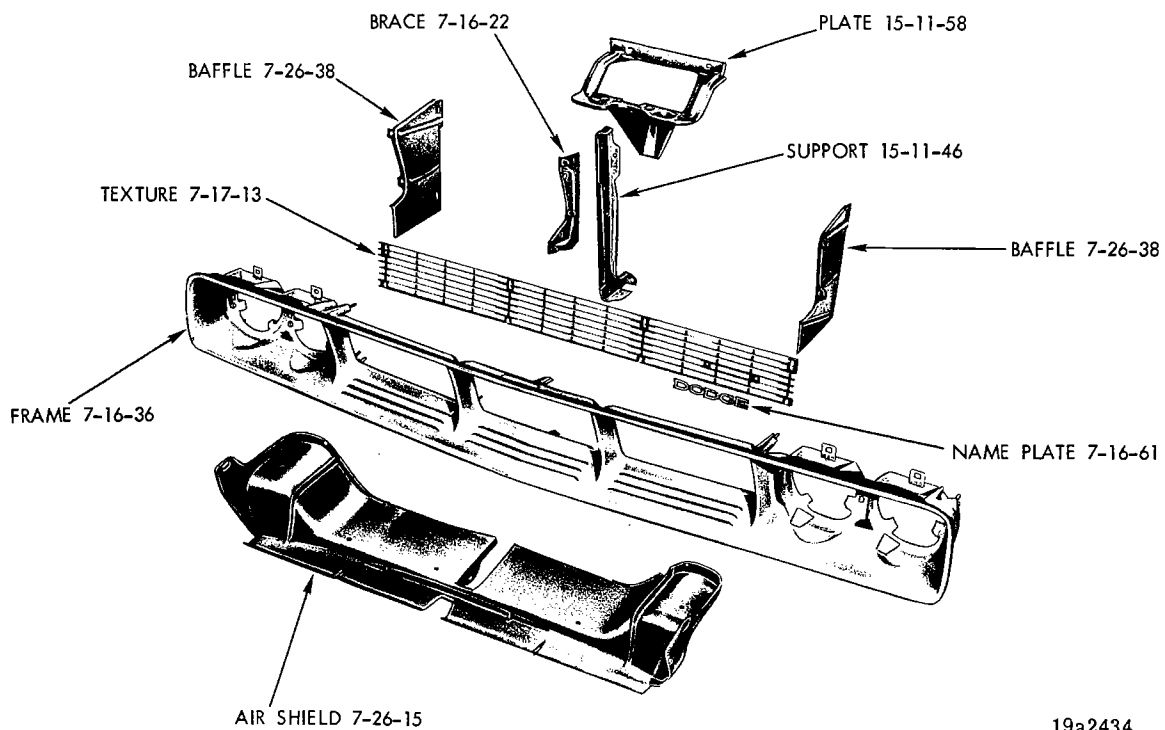
19a2512 A

GRILLE - CHARGER



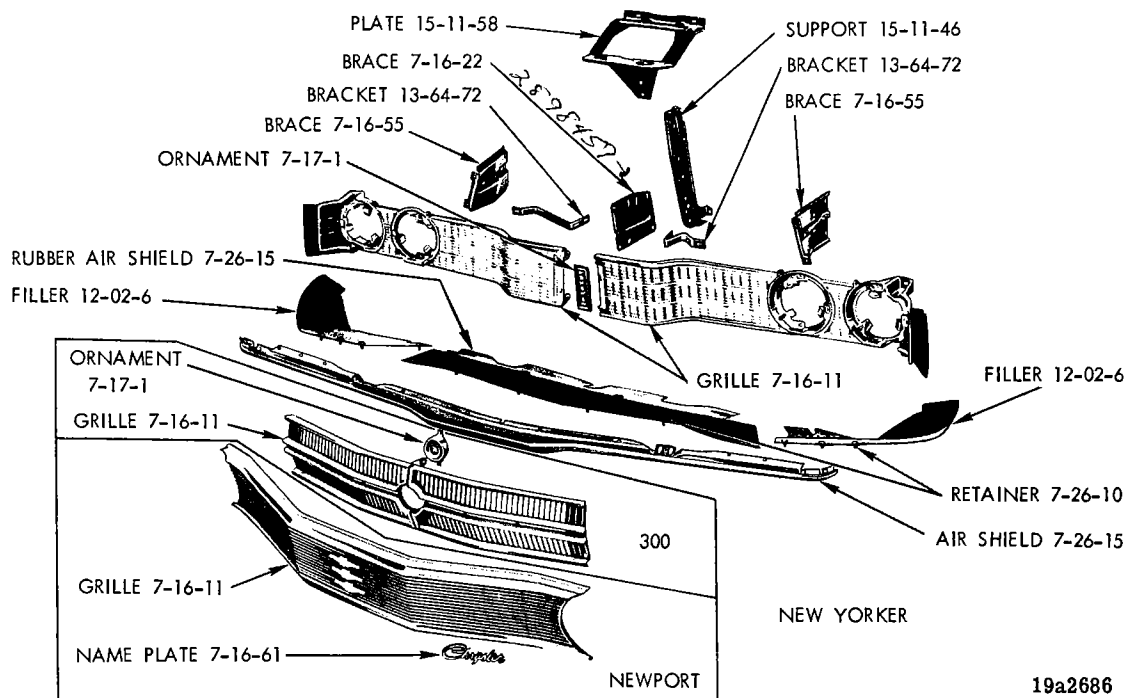
19a2551

GRILLE - CORONET



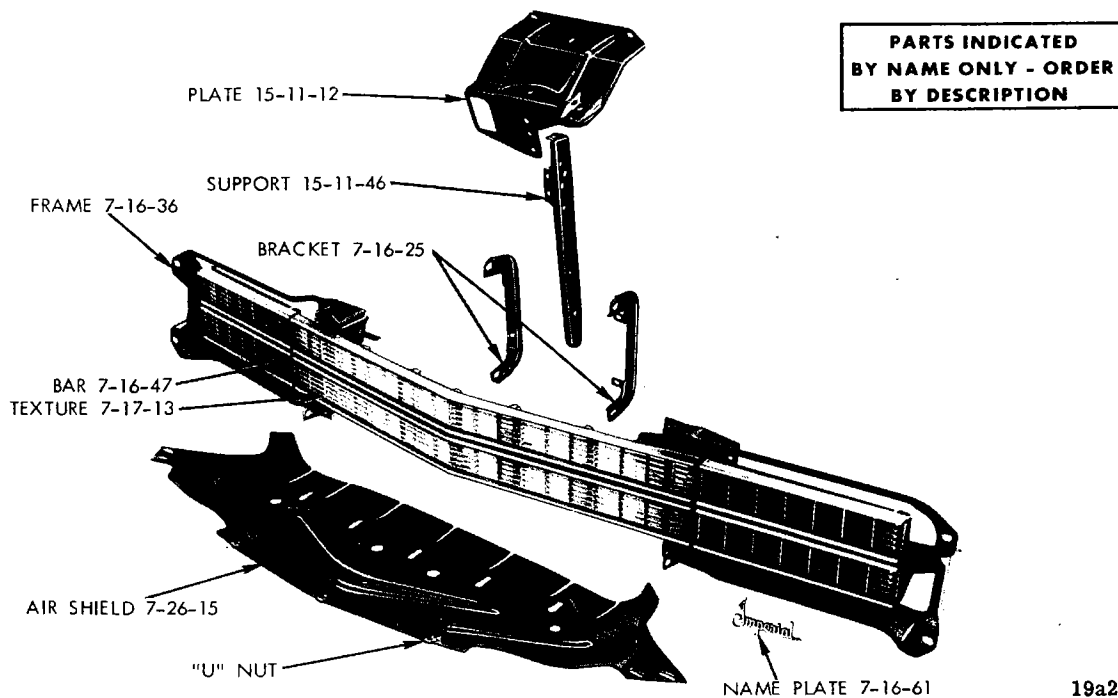
19a2434

GRILLE - DODGE POLARA



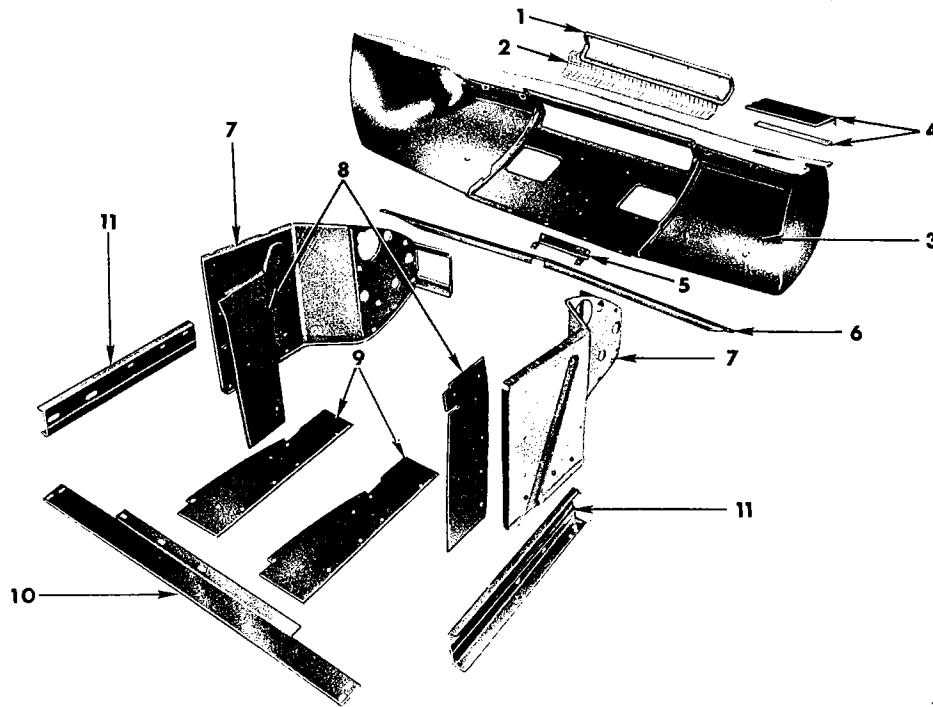
19a2686

GRILLE - CHRYSLER



19a2687

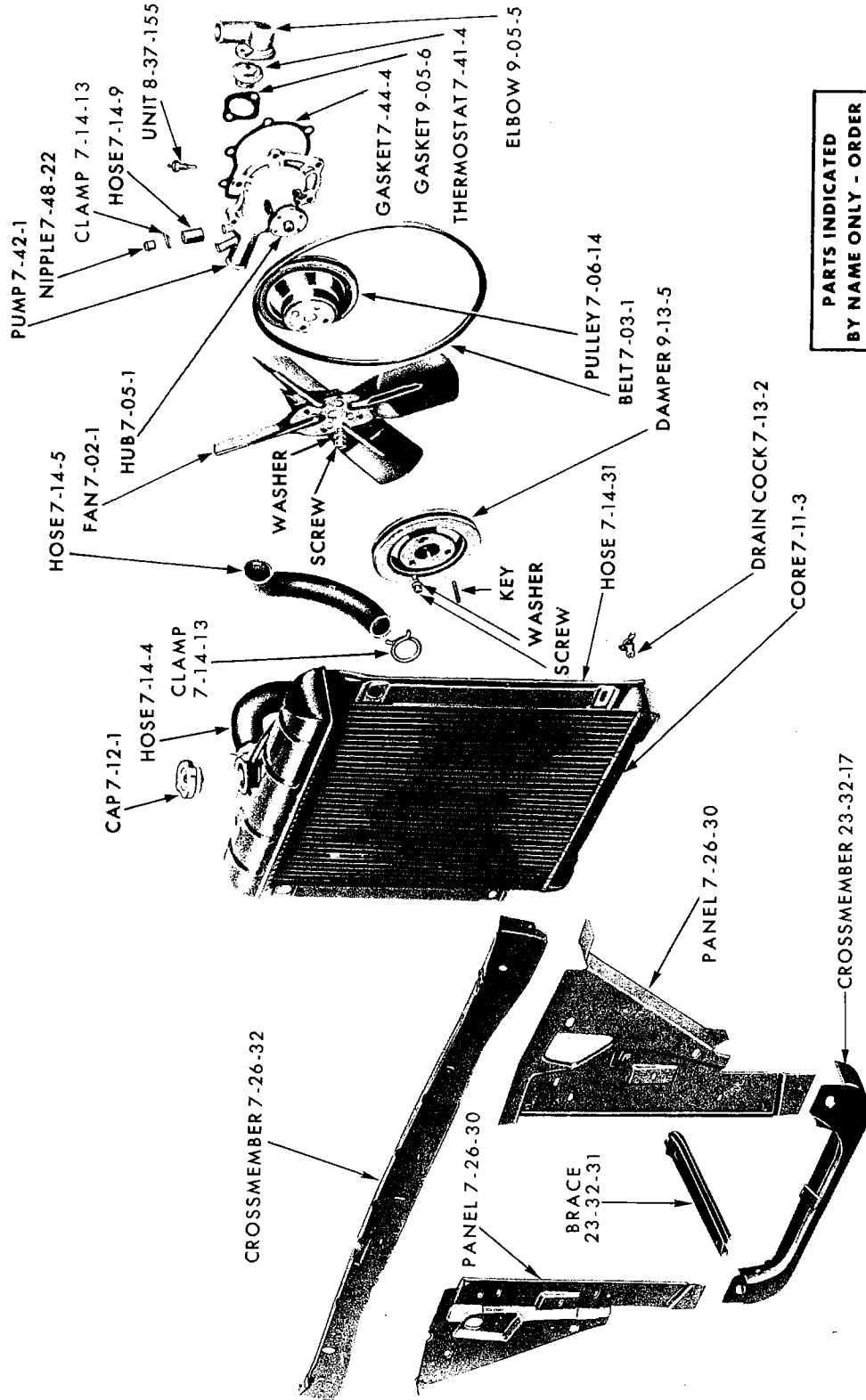
GRILLE - IMPERIAL



19a3081

NOSE CONE - DAYTONA CHARGER

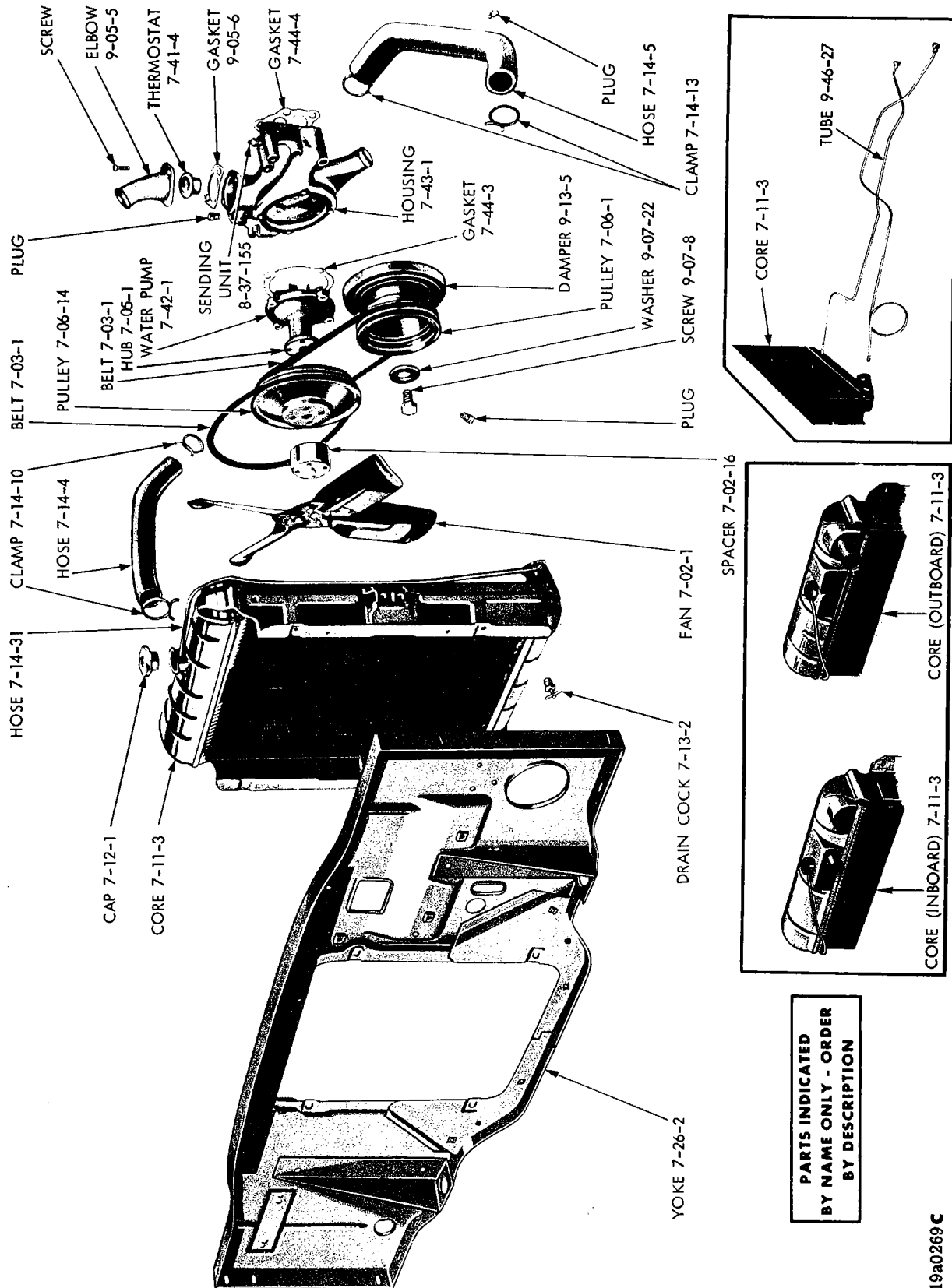
REF. NO.	PART NUMBER	DESCRIPTION
1	3412 622	FRAME
2	3412 617	PANEL
3	3412 761	NOSE CONE
4	2962 624	SEAL
5	3412 652	BRACKET
6	3412 616	SPOILER FRT.
7	3412 634-5	BULKHEAD ASSY.
8	3412 679	SEAL
9	3412 695	SEAL
10	3412 613	CROSSMEMBER
11	3412 608-9	SUPPORT



PARTS INDICATED
BY NAME ONLY - ORDER
BY DESCRIPTION

19x8844F

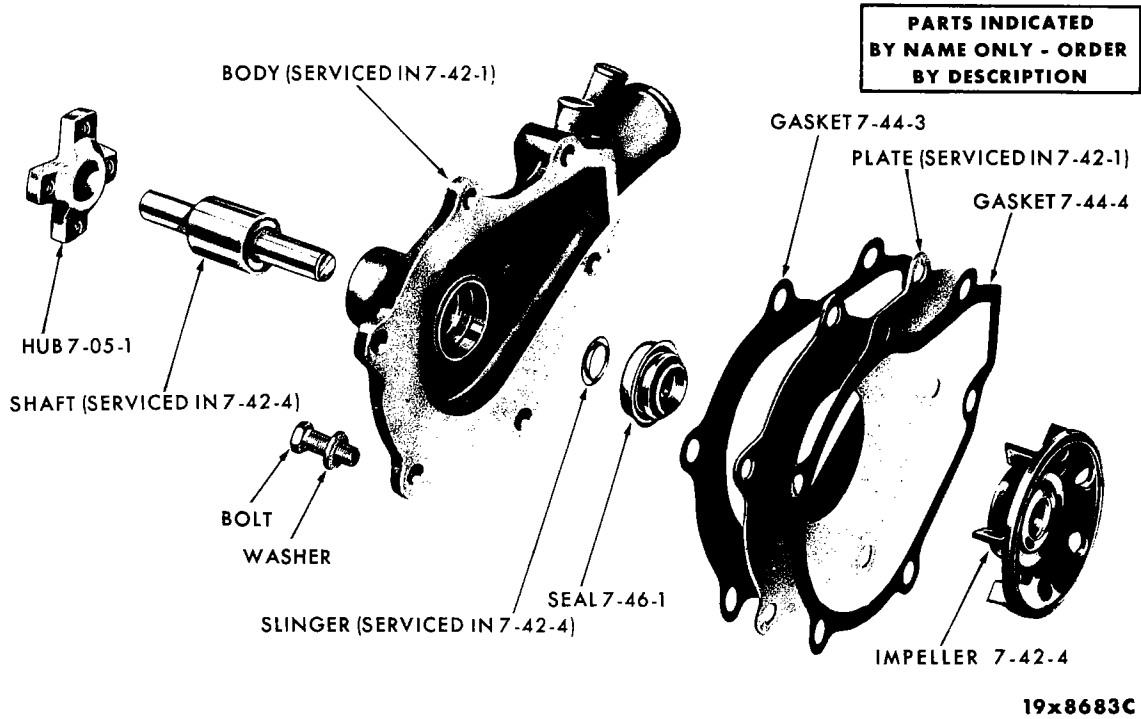
COOLING SYSTEM - VALIANT, DART AND BARRACUDA



**PARTS INDICATED
BY NAME ONLY - ORDER
BY DESCRIPTION**

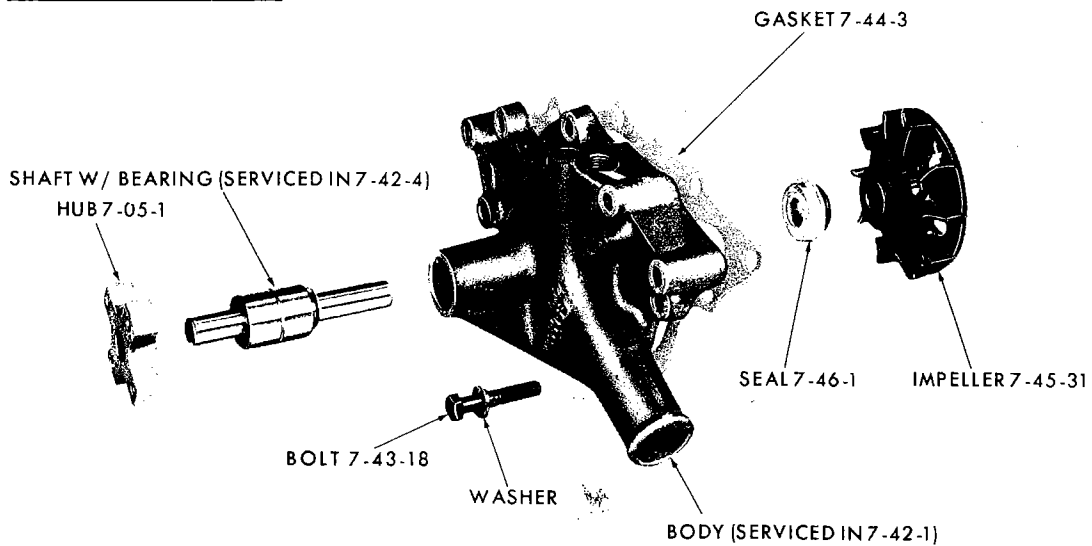
19a0269C

COOLING SYSTEM - PLYMOUTH, DODGE AND IMPERIAL



WATER PUMP - 6 CYLINDER

PARTS INDICATED BY NAME ONLY - ORDER BY DESCRIPTION



WATER PUMP - 273, 318 AND 340 ENGINES

Figure 1

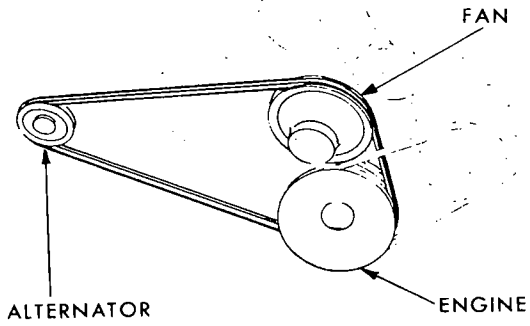


Figure 2

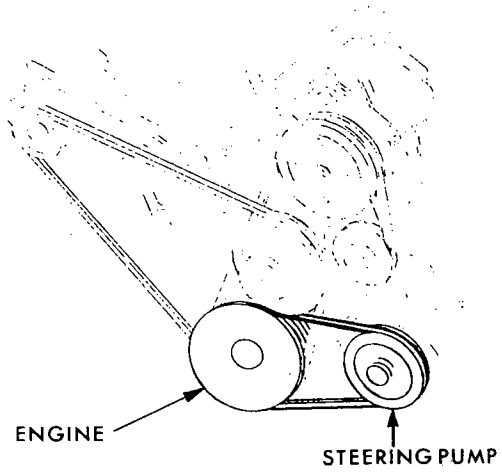


Figure 3

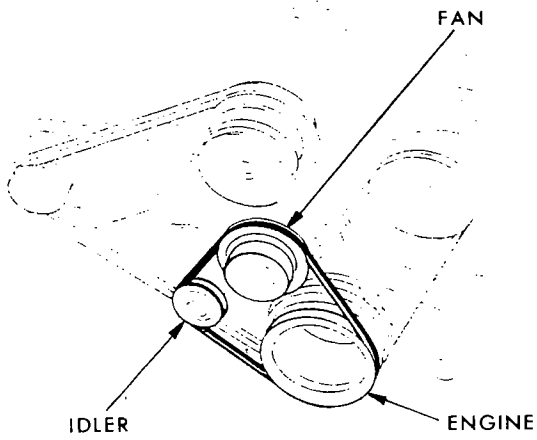


Figure 4

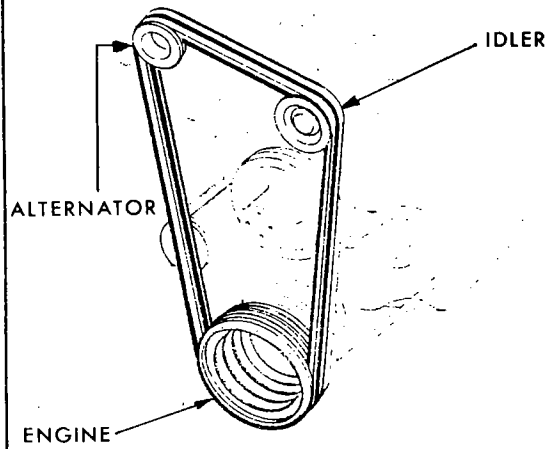


Figure 5

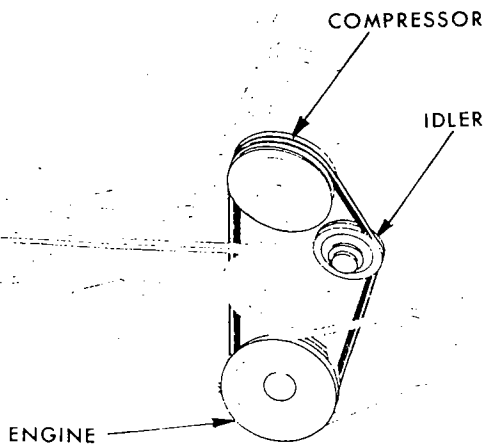
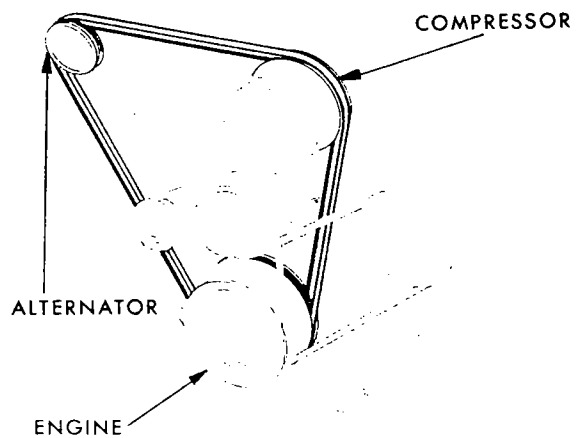


Figure 6



19x9214A

FAN BELT CHART

CODE	PART NAME	ENG. TYPE OR CU.IN.	V	B	L	R	W	P	D	C	C	C	Y	PART NUMBER	
			1-2	1-2	1-2	1-2	1-2	1-2	1-2	1	2	3	1		
7-02-0 FAN ASSEMBLY															
7-02-1	FAN, Standard, w/225 Eng., 4 Blades	6	1	1	1	1	1	1	—	—	—	—	—	1947 907	
	w/318, 383 and 440 eng., 7 blades	8	1	1	1	1	1	1	1	1	1	—	—	2863 224	
	w/273 and 318 Eng., 4 blades	8	1	1	—	1	1	1	1	—	—	—	—	2265 034	
	w/170 Eng., 4 blades	6	1	1	1	—	—	—	—	—	—	—	—	2121 971	
	w/340 and 426 Eng., 7 blades	8	—	1	1	—	—	—	—	—	—	—	—	2863 215	
	w/383 Eng., 7 blades	8	—	1	1	—	—	—	—	—	—	—	—	2863 213	
	Imperial	8	—	—	—	—	—	—	—	—	—	—	1	2863 223	
	Canada Only	6	—	—	—	—	—	—	1	—	—	—	—	1947 907	
	FAN, A/Conditioning, w/273 Eng., 7 blades	8	1	1	—	—	—	—	—	—	—	—	—	—	2863 227
	w/170 and 225 Eng., 7 blades	6	1	1	1	—	—	—	—	—	—	—	—	—	2863 200
	w/225 Eng., 4 blades	6	—	—	—	1	1	1	—	—	—	—	—	—	2780 920
	w/383 and 440 Eng., 7 blades	8	—	—	—	—	1	1	1	1	1	1	1	—	2863 216
	w/318 Eng., 7 blades	8	1	1	1	1	1	—	—	—	—	—	—	—	2863 215
	318 Eng., 7 blades	8	—	—	—	—	—	1	1	—	—	—	—	—	2863 216
	Canada Only	6	—	—	—	—	—	—	1	—	—	—	—	—	2780 920
	FAN, High Capacity, w/273 Eng., 7 blades	8	1	1	—	—	—	—	—	—	—	—	—	—	2863 227
	w/318 Eng., 7 blades	8	1	1	1	1	1	—	—	—	—	—	—	—	2863 227
	w/383 and 440 Eng., 7 blades	8	—	—	—	1	1	1	1	1	1	1	—	—	2863 223
	w/170 and 225 Eng., 7 blades	6	1	1	1	—	—	—	—	—	—	—	—	—	2863 200
	w/225 Eng., 7 blades	6	—	—	—	1	1	1	—	—	—	—	—	—	2863 213
Canada Only, 7 blades	6	—	—	—	—	—	—	1	—	—	—	—	—	2863 213	
FAN, w/4 Speed manual trans., w/440 Eng., 7 blades	8	—	—	—	1	1	—	—	—	—	—	—	—	2863 215	
7-02-16	SPACER, Fan, w/170 and 225 Eng., lgh. 1.06"	6	1	1	1	—	—	—	—	—	—	—	—	1851 959	
	w/383 Eng., lgh. 70"	8	—	1	1	—	—	—	—	—	—	—	—	1851 960	
	w/225, 383 and 440 Eng., lgh. 1.24"	—	—	—	—	1	1	—	—	—	—	—	—	1825 932	
	w/273 and 318 Eng., lgh. 2.00"	8	1	1	1	—	—	—	—	—	—	—	—	1825 956	
	w/225 Eng., lgh. 1.72"	6	—	—	—	—	—	1	—	—	—	—	—	1674 746	
	w/273 and 318 Eng., w/o A/Cond., lgh. 2.38"	8	1	1	1	1	1	—	—	—	—	—	—	2120 130	
	w/318 Eng., w/o A/Cond., lgh. 2.20"	8	—	—	—	—	—	1	1	—	—	—	—	2265 036	
	w/383 and 440 Eng., w/o A/Cond., lgh. 1.60"	8	—	—	—	—	—	1	1	1	1	1	1	2120 510	
	w/383, 440 Eng., w/A/Cond.	—	—	—	—	1	1	1	1	1	1	1	1	2003 059	
	CANADA Only, 1.72" lgh.	6	—	—	—	—	—	—	1	—	—	—	—	1674 746	

7-03-0 FAN AND RELATED DRIVE BELTS

NOTE: See Illustrations in Front of Group 7.

7-03-1	BELT		V	B	L	R	W	P	D	C	C	C	Y	
	ENGINE TO ALTERNATOR TO FAN (See Fig. 1)													
	w/383 Eng., w/Leece-Neville Altr., lgh. 3/8" x 54.00"	8	—	—	—	1	1	1	1	—	—	—	—	2863 555
	w/440 Eng., w/Leece-Neville Altr., lgh. 3/8" x 55. 50"	8	—	—	—	—	—	1	1	—	—	—	—	2863 557
	w/318 and 340 Eng., w/A/Cond., lgh. 3/8" x 48.00"	8	1	1	1	1	1	1	1	—	—	—	—	2863 564
	w/225 Eng., w/Leece-Neville Altr., lgh. 3/8" x 41.50"	6	—	—	—	—	1	1	1	—	—	—	—	2264 463
	w/170 Eng., w/o 46 Amp. Altr., lgh. 3/8" x 54.50"	6	1	1	1	—	—	—	—	—	—	—	—	2806 203
	w/170 Eng., w/46 Amp. Altr., lgh. 3/8" x 54.50"	6	1	1	1	—	—	—	—	—	—	—	—	2532 658
	w/225 Eng., w/46 Amp. Altr., lgh. 3/8" x 57.00"	6	1	1	1	1	1	—	—	—	—	—	—	2532 659

TYPE LETTERS Indicates

B - Barracuda

V - Valiant
L - Dart

R - Belvedere
W - Coronet

P - Plymouth
D - Dodge

C - Chrysler
Y - Imperial

AR Indicates use as required.

Indicates parts not listed in any previous parts book.

Numerals in parentheses () refer to notes.

★ Indicates change or addition.

Printed in U.S.A.
January 1971

CODE	PART NAME	ENG. TYPE OR CU.IN.	V	B	L	R	W	P	D	C	C	C	Y	PART NUMBER
			1-2	1-2	1-2	1-2	1-2	1-2	1-2	1	2	3	1	
7-03-0 FAN AND RELATED DRIVE BELTS Cont'd.														
7-03-1 BELT Cont'd.														
	w/o A/Cond., lgh. 3/8" x 43.00"	8	—	—	—	—	—	—	—	—	—	—	1	2658 776
	w/426 Eng., lgh. 3/8" x 43.00"	8	—	—	—	1	1	—	—	—	—	—	—	2658 895
	w/225 Eng., lgh. 3/8" x 57.00"	6	1	1	1	1	1	1	—	—	—	—	—	2843 277
	w/273, 318, 340, 383 and 440 Eng., w/o A/Cond., lgh. 3/8" x 46.50"	8	—	—	—	1	1	1	1	—	—	—	—	2806 216
	w/383 and 440 Eng., w/oA/Cond., lgh. 3/8" x 44.75"	8	—	—	—	—	—	1	1	1	1	1	—	2951 304
	CANADA Only, D	6	—	—	—	—	—	—	1	—	—	—	—	2532 659
	CANADA Only, D, w/Leece-Neville Dual Set	6	—	—	—	—	—	—	1	—	—	—	—	2264 463
	ENGINE TO POWER STEERING PUMP (See Fig. 2)													
	w/273, 340, 318 Eng. w/A/C 1/2" x 42 1/2" lgh.	8	1	1	1	1	1	1	1	—	—	—	—	2402 934
	w/383 and 440 Eng., O.S. lgh. 44.00"	8	—	—	—	1	1	1	1	—	—	—	—	2951 202
	w/383 and 440 Eng., O.S. lgh. 43.00"	8	—	1	1	1	1	1	1	1	1	1	1	2951 153
	w/225 Eng., O.S. lgh. 39.00"	6	—	—	—	—	—	1	—	—	—	—	—	1401 622
	w/426 Eng., O.S. lgh. 39.50"	8	—	—	—	1	1	—	—	—	—	—	—	2268 386
	w/318, 340 Eng. O.S. lgh. 42.00"	8	1	1	1	1	1	1	1	—	—	—	—	1678 280
	w/170 and 225 Eng., O.S. lgh. 40.75"	6	1	1	1	1	1	—	—	—	—	—	—	1558 426
	w/383 and 440 Eng., O.S. lgh. 40.75"	8	—	—	—	1	1	1	1	—	—	—	—	2402 378
	w/383, 440 Eng. - O.S. lgh. 42.50"	8	—	1	1	—	—	1	1	1	—	1	1	3419 000
	CANADA Only, O.S. lgh. 39.00"	6	—	—	—	—	—	—	1	—	—	—	—	1401 622
	ENGINE TO FAN (See Fig. 3)													
	w/318 Eng., w/Leece-Neville Altr., lgh. 3/8" x 36.88"	8	—	—	—	1	1	1	1	—	—	—	—	1821 684
	w/383 and 440 Eng., w/A/Cond., lgh. 3/8" x 36.50"	8	—	—	—	1	1	1	1	1	1	1	1	2658 793
	w/318 Eng., w/Leece-Neville Altr., w/A/Cond., lgh. 3/8" x 37.25"	8	—	—	—	1	1	1	1	—	—	—	—	2806 158
	ENGINE TO ALTERNATOR TO IDLER (See Fig. 4)													
	w/318 Eng., w/Leece-Neville Altr., w/oA/Cond., lgh. 3/8" x 56.25"	8	—	—	—	1	1	1	1	—	—	—	—	2899 268
	ENGINE TO COMPRESSOR (See Fig. 5)													
	w/225, 273, 318 and 340 Eng., lgh. 1/2" x 50.00"													
	Canada Only	6	1	1	1	1	1	1	—	—	—	—	—	3418 384 385
	ENGINE TO ALTERNATOR TO COMPRESSOR (See Fig. 6)													
	w/318 Eng., w/Leece-Neville Altr., lgh. 15/32" x 58.25"	8	—	—	—	1	1	1	1	—	—	—	—	2658 352
	w/383 Eng., w/Leece-Neville Altr., lgh. 3/8" x 66.00"	8	—	—	—	—	—	1	1	—	—	—	—	2951 159
	w/383, w/440 Eng., w/Leece-Neville Altr. lgh. 3/8" x 67.50"	8	—	—	—	—	—	1	1	—	—	—	—	2951 161
	w/383 and 440 Eng. 3/8 x 59"	8	—	—	—	—	—	1	1	1	1	1	—	2951 614
	w/318 Eng., lgh. 1/2" x 55.00"	8	—	—	—	—	—	1	1	—	—	—	—	3418 385
	w/383 and 440 Eng., lgh. 3/8" x 61.00"	8	—	—	—	1	1	—	—	—	—	—	—	2951 278
	lgh. 3/8" x 64.50"	8	—	—	—	—	—	—	—	—	—	—	1	2951 280

TYPE LETTERS Indicates

B - Barracuda

V - Valiant
L - DartR - Belvedere
W - CoronetP - Plymouth
D - DodgeC - Chrysler
Y - Imperial

AR Indicates use as required.

Indicates parts not listed in any previous parts book.

Numerals in parentheses () refer to notes.

★ Indicates change or addition.

Printed in U.S.A.
January 1971

CODE	PART NAME	ENG. TYPE OR CU.IN.	V	B	L	R	W	P	D	C	C	C	Y	PART NUMBER
			1-2	1-2	1-2	1-2	1-2	1-2	1	2	3	1		
7-04-0 FAN AND ALTERNATOR IDLER PULLEY														
7-04-1	PULLEY, Idler, w/318 Eng., w/Leece-Neville Altr.	8	—	—	—	1	1	1	1	—	—	—	—	2240 397
	w/383 and 440 Eng., w/A/Cond.	8	—	—	—	1	1	1	1	1	1	1	1	2240 397
	w/318 Eng., w/Leece-Neville Altr., w/o A/Cond.	8	—	—	—	1	1	1	1	—	—	—	—	2780 992
7-04-5	BRACKET, Fan Belt Idler Pulley, w/383 and 440 Eng., w/A/Cond. w/318 Eng.	8	—	—	—	1	1	1	1	1	1	1	1	2951 020 2468 494
7-04-8	BRACE, Altr. Idler Pulley Support, w/318 Eng., w/Leece-Neville Altr.	8	—	—	—	1	1	1	1	—	—	—	—	2946 115
7-04-9	SUPPORT, Altr. Idler Pulley, w/318 Eng., w/Leece-Neville Altr.	8	—	—	—	1	1	1	1	—	—	—	—	2946 114
7-04-10	SPACER, Fan Belt Idler Pulley Bracket, w/383 and 440 Eng., w/A/Cond.	8	—	—	—	1	1	1	1	1	1	1	—	2951 176
	w/318 Eng., w/Leece-Neville Altr., w/o A/Cond.	8	—	—	—	1	1	1	1	—	—	—	—	2946 116
	w/383 and 440 Eng., w/Leece-Neville Altr., w/A/Cond.	8	—	—	—	1	1	1	1	1	1	1	1	2465 381 1945 384
7-04-13	BRACKET, Altr. Idler Pulley Spacer w/318 Eng. Idler Pulley Spacer w/Leece Neville Altr.	8	—	—	1	1	1	1	—	—	—	—	—	2946 737
7-04-16	SPACER, Altr. Idler Pulley Bearing, w/318 Eng., w/Leece-Neville Altr.	8	—	—	—	1	1	1	1	—	—	—	—	2120 520
7-04-17	SHIELD, Altr. Idler Pulley Bearing, w/318 Eng., w/Leece-Neville Altr.	8	—	—	—	1	1	1	1	—	—	—	—	2658 759
	Shield, A/Cond. Compressor Idler Pulley Bearing Dust		1	1	1	1	1	1	1	—	—	—	—	2658 758
7-04-20	NUT, Altr. Idler Pulley Bolt, w/318 Eng., w/Leece-Neville Altr.	8	—	—	—	1	1	1	1	—	—	—	—	2409 824

ALSO SEE 24-25-35

7-05-0 FAN PULLEY HUB

7-05-1	HUB, Fan Pulley		1	1	1	1	1	1	1	1	1	1	1	2129 265
--------	-----------------	--	---	---	---	---	---	---	---	---	---	---	---	----------

7-06-0 FAN DRIVE PULLEY

7-06-1	PULLEY, Drive, w/A/Cond., w/318 Eng., w/Leece-Neville Altr., 4 Grooves	8	—	—	—	1	1	1	1	—	—	—	—	2463 334 2402 730
	A/Cond. Fan and Compressor, 3 Grooves	8	1	1	1	1	1	1	1	1	1	1	1	2951 122
	w/383, and 440 Eng. 4 Groove	8	—	—	—	1	1	1	1	1	1	1	1	2843 815
	w/318 Eng., 3 Grooves	8	—	—	—	—	—	1	1	—	—	—	—	2536 752
	w/318 Eng., 3 Grooves	8	1	1	1	1	1	—	—	—	—	—	—	2536 752
	w/340 Eng., 3 Grooves	8	—	1	1	—	—	—	—	—	—	—	—	2202 794
	CANADA Only	6	—	—	—	—	—	—	1	—	—	—	—	
	PULLEY, Drive, w/o A/Cond., w/318 Eng., w/Leece-Neville Altr., 4 Grooves	8	—	—	—	—	1	1	1	1	—	—	—	2532 248
	w/383 and 440 Eng., w/Leece-Neville Altr., 3 Grooves	8	—	—	—	1	1	1	1	—	—	—	—	2806 637
	w/426 Eng., w/Pwr. Strg.	8	—	—	—	1	1	—	—	—	—	—	—	2946 713
	w/383 and 440 Eng., w/Pwr. Strg.	8	—	1	1	1	1	1	1	1	1	1	1	2946 789
	w/273, 318 and 340 Eng., 2 Grooves	8	1	1	1	1	1	1	1	—	—	—	—	1855 152
	w/170 and 225 Eng., Pwr. Strg. Drive	6	1	1	1	1	1	1	—	—	—	—	—	2205 518
	w/273, 318 and 340 Eng., w/o Pwr. Strg., 1 Groove	8	1	1	1	1	1	1	1	—	—	—	—	1821 411
	w/225 Eng., w/o Pwr. Strg.,													

TYPE LETTERS Indicates B - Barracuda V - Valiant L - Dart R - Belvedere W - Coronet P - Plymouth D - Dodge C - Chrysler Y - Imperial

AR Indicates use as required.
Indicates parts not listed in any previous parts book.

Numerals in parentheses () refer to notes.
★ Indicates change or addition.

Printed in U.S.A.
January 1971

CODE	PART NAME	ENG. TYPE OR CU.IN.	V	B	L	R	W	P	D	C	C	C	Y	PART NUMBER
			1-2	1-2	1-2	1-2	1-2	1-2	1	2	3	1		
7-06-0 FAN DRIVE PULLEY Cont'd.														
7-06-1	PULLEY Cont'd.													
	w/Fan Drive, w/Leece-Neville Altr., 2 Groove	6	—	—	—	1	1	1	—	—	—	—	—	2264 449
	w/383 and 440 Eng., w/o Pwr. Strg., w/Fan and Altr. Drive, 1 Groove	8	—	1	1	1	1	1	1	1	1	1	—	1821 449
	CANADA Only, w/Leece-Neville Altr.	6	—	—	—	—	—	—	1	—	—	—	—	2264 449
	CANADA Only, Pwr. Strg. Drive	6	—	—	—	—	—	—	1	—	—	—	—	2205 518
7-06-14	PULLEY, Fan, w/o A/Cond., w/225 Eng., w/Leece-Neville Altr., 2 Grooves	6	—	—	—	1	1	1	—	—	—	—	—	2264 450
	w/225 Eng.	6	1	1	1	—	—	1	—	—	—	—	—	2202 666
	w/318 and 340 Eng., Single Groove	8	1	1	1	1	1	1	—	—	—	—	—	2946 732
	w/426 Eng.	8	—	—	—	1	1	—	—	—	—	—	—	2946 716
	w/383 and 440 Eng., Single Groove	8	—	1	1	1	1	1	1	1	1	1	1	1821 452
	w/383 and 440 Eng., w/Leece-Neville Altr., 2 Grooves	8	—	—	—	1	1	1	1	—	—	—	—	2806 643
	CANADA Only	6	—	—	—	—	—	—	1	—	—	—	—	2202 666
	PULLEY, Fan, w/A/Cond., w/318 and 340 Eng.	8	1	1	1	1	1	1	—	—	—	—	—	2463 332
	w/225 Eng., 2 Grooves	6	1	1	1	—	—	1	—	—	—	—	—	2406 039
	w/273 Eng.	8	1	—	1	—	—	—	—	—	—	—	—	2946 732
	w/383 and 440 Eng.	8	—	—	—	1	1	1	1	1	1	1	1	2951 092
	w/225 Eng.	6	—	—	—	1	1	—	—	—	—	—	—	2202 666
	CANADA Only	6	—	—	—	—	—	—	1	—	—	—	—	2406 039
	CANADA Only, w/Leece-Neville Altr.	6	—	—	—	—	—	—	1	—	—	—	—	2264 450
7-07-0 FAN FLUID DRIVE UNIT OR THERMAL DRIVE UNIT														
7-07-1	DRIVE, Fan, w/318 Eng., w/A/Cond., w/o 276 Ratio Axle	8	1	1	1	1	1	1	—	—	—	—	—	2863 263
	w/340 Eng., w/A/Cond.	8	—	1	1	—	—	—	—	—	—	—	—	2863 263
	w/318 Eng., w/A/Cond., w/2.76 Ratio Axle	8	1	1	1	1	1	1	—	—	—	—	—	2863 266
	w/340 Eng., w/o A/Cond.	8	—	1	1	—	—	—	—	—	—	—	—	2863 259
	w/383 Eng., 4 bbl., w/A/Cond., w/2.76 Ratio Axle	8	—	—	—	—	—	1	1	1	1	1	—	2863 261
	W/383 Eng., 2 Bbl. And 440 Eng. W/A/Cond. W/2.76 Axle Ratio 8		—	—	—	—	—	1	1	1	1	1	—	2863 264
	W/383 And 440, W/A/Cond. 8		—	—	—	—	—	1	1	1	1	1	—	2863 260
	W/440 Eng. W/A/Cond. 8		—	—	—	—	—	—	—	—	—	—	1	2863 267
	w/383 and 440 Eng., w/A/Cond.	8	—	—	—	1	1	—	—	—	—	—	—	2658 456
	w/426 Eng.	8	—	—	—	1	1	—	—	—	—	—	—	2806 070
	w/383 and 440 Eng., w/o A/Cond.	8	—	—	—	1	1	1	1	1	1	1	1	2806 070
7-08-0 RADIATOR CORE FAN SHROUD														
7-08-2	SHROUD, For 22" Core, w/225 Eng., w/A/Cond.	6	—	—	—	1	1	1	1	—	—	—	—	2949 129
	w/225 Eng., w/A/Cond.	6	1	1	1	—	—	—	—	—	—	—	—	2582 037
	w/273, 318, 340 and 383 Eng., w/A/Cond.	8	1	1	1	—	—	—	—	—	—	—	—	2785 614
	w/440 Eng., w/o A/Cond.	8	—	—	—	1	1	1	1	1	1	1	—	2949 130
	w/318 Eng., w/o A/Cond., Police and Taxi	8	—	—	—	—	—	1	1	—	—	—	—	2949 130
	CANADA Only, w/22" Core	6	—	—	—	—	—	—	1	—	—	—	—	2949 129
	SHROUD, For 26" Core, w/318 Eng., w/A/Cond.	8	—	—	—	1	1	—	—	—	—	—	—	2578 715
	w/318 Eng., Standard on Police and Taxi	8	—	—	—	1	1	—	—	—	—	—	—	2578 715

TYPE LETTERS Indicates

B - Barracuda

V - Valiant
L - DartR - Belvedere
W - CoronetP - Plymouth
D - DodgeC - Chrysler
Y - Imperial

AR Indicates use as required.

Indicates parts not listed in any previous parts book.

Numerals in parentheses () refer to notes.

★ Indicates change or addition.

Printed in U.S.A.

January 1971

CODE	PART NAME	ENG. TYPE OR CU.IN.	V	B	L	R	W	P	D	C	C	C	Y	PART NUMBER
			1-2	1-2	1-2	1-2	1-2	1-2	1-2	1	2	3	1	
7-08-0 RADIATOR CORE FAN SHROUD Cont'd.														
7-08-2	SHROUD Cont'd.													
	w/318 Eng., w/A/Cond.	8	—	—	—	—	—	1	1	—	—	—	—	2785 435
	w/383 and 440 Eng., Standard on Police	8	—	—	—	—	—	1	1	—	—	—	—	2785 435
	w/383 and 440 Eng., w/A/Cond.	8	—	—	—	—	—	1	1	1	1	1	—	2785 435
	w/383 and 440 Eng., w/A/Cond.	8	—	—	—	1	1	—	—	—	—	—	—	2785 434
	w/383 and 426 Eng., Standard on Police	8	—	—	—	1	1	—	—	—	—	—	—	2785 434
	SHROUD, 28" Core	8	—	—	—	—	—	—	—	—	—	—	1	2949 322
7-08-4	PLATE, Shroud Loading Notch Cover, w/26" Core, w/318 Eng., w/A/Cond.	8	—	—	—	—	—	1	1	—	—	—	—	2949 197
7-08-13	BRACKET, Radiator Core Fan Shroud Mtg., w/22" Core	8	—	—	—	1	1	1	1	1	1	1	—	2949 176

7-11-0 RADIATOR CORE

7-11-3	RADIATOR CORE													
	CORE, 19" STANDARD													
	w/170 and 225 Eng.	6	1	1	1	—	—	—	—	—	—	—	—	2949 073
	w/273 and 318 Eng.	8	1	1	1	—	—	—	—	—	—	—	—	2949 031
	w/225 Eng.	6	—	—	—	1	1	—	—	—	—	—	—	2949 063
	w/225 Eng.	6	—	—	—	—	—	1	—	—	—	—	—	2949 050
	w/318 Eng.	8	—	—	—	1	1	—	—	—	—	—	—	2949 060
	w/318 Eng.	8	—	—	—	—	—	1	1	—	—	—	—	2949 047
	CANADA Only	6	—	—	—	—	—	—	1	—	—	—	—	2949 050
	CORE, 22" STANDARD													
	w/340 Eng.	8	—	1	1	—	—	—	—	—	—	—	—	2949 066
	w/383 Eng.	8	—	1	1	—	—	—	—	—	—	—	—	2949 065
	w/383 and 440 Eng.	8	—	—	—	1	1	—	—	—	—	—	—	2949 053
	w/383 and 440 Eng.	8	—	—	—	—	—	1	1	1	1	1	—	2949 035
	w/318 Eng.	8	—	—	—	—	—	1	1	—	—	—	—	2949 044
	CORE, 26" STANDARD													
	w/426 Eng.	8	—	—	—	1	1	—	—	—	—	—	—	2949 054
	Police, w/383 Eng.	8	—	—	—	1	1	—	—	—	—	—	—	2949 052
	Police, w/383 and 440 Eng.	8	—	—	—	—	—	1	1	—	—	—	—	2998 970
	CORE, 28" STANDARD	8	—	—	—	—	—	—	—	—	—	—	1	2949 033
	CORE, 22" with A/Cond.													
	w/170 and 225 Eng.	6	1	1	1	—	—	—	—	—	—	—	—	2949 075
	w/A/Cond., w/273 and 318 Eng.	8	1	1	1	—	—	—	—	—	—	—	—	2949 067
	w/340 Eng.	8	—	1	1	—	—	—	—	—	—	—	—	2949 068
	w/225 Eng.	6	—	—	—	1	1	—	—	—	—	—	—	2949 062
	w/225 Eng.	6	—	—	—	—	—	1	—	—	—	—	—	2949 049
	CORE 26"													
	w/A/Cond., w/318 Eng.	8	—	—	—	1	1	—	—	—	—	—	—	2949 059
	w/383 and 440 Eng.	8	—	—	—	1	1	—	—	—	—	—	—	2949 055
	w/383 Eng., 4 bbl.	8	—	—	—	—	—	1	1	1	1	1	—	2998 970
	w/383 Eng., 2 bbl.	8	—	—	—	—	—	1	1	1	1	1	—	2949 040
	w/318 Eng.	8	—	—	—	—	—	1	1	—	—	—	—	2949 043
	w/440 Eng.	8	—	—	—	—	—	1	1	1	1	1	—	2949 037
	CORE, 28" w/A/Cond.	8	—	—	—	—	—	—	—	—	—	—	1	2949 033
	CORE 22" w/Max. Cooling Pkg. Less Fan, w/170 and 225 Eng.	6	1	1	1	—	—	—	—	—	—	—	—	2949 075
	w/273 and 318 Eng.	8	1	1	1	—	—	—	—	—	—	—	—	2949 068
	w/340 Eng.	8	—	1	1	—	—	—	—	—	—	—	—	2949 068
	w/225 Eng.	6	—	—	—	1	1	—	—	—	—	—	—	2949 067
	w/225 Eng.	6	—	—	—	—	—	1	—	—	—	—	—	2949 049
	w/225 Eng.	6	—	—	—	1	1	—	—	—	—	—	—	2949 062
	w/225 Eng. CANADA Only	6	—	—	—	—	—	—	1	—	—	—	—	2949 049
	CORE, 26"													
	w/Max. Cooling Pkg. Less Fan, w/Max. Cooling Pkg. Less Fan													

TYPE LETTERS Indicates V - Valiant L - Dart R - Belvedere W - Coronet P - Plymouth D - Dodge C - Chrysler Y - Imperial B - Barracuda

AR Indicates use as required. Numerals in parentheses () refer to notes. Printed in U.S.A. January 1971
 # Indicates parts not listed in any previous parts book. ★ Indicates change or addition.

CODE	PART NAME	ENG. TYPE OR CU.IN.	V	B	L	R	W	P	D	C	C	C	Y	PART NUMBER
			1-2	1-2	1-2	1-2	1-2	1-2	1-2	1	2	3	1	
7-11-0 RADIATOR CORE Cont'd.														
7-11-3	RADIATOR CORE Cont'd.													
	w/318 Eng.	8	—	—	—	1	1	—	—	—	—	—	—	2949 058
	w/383 and 440 Eng.	8	—	—	—	1	1	—	—	—	—	—	—	2949 054
	w/318 Eng.	8	—	—	—	—	—	1	1	—	—	—	—	2949 045
	w/383 and 440 Eng. CORE, 28"	8	—	—	—	—	—	1	1	1	1	1	—	2949 037
	w/Max. Cooling Pkg. Less Fan	8	—	—	—	—	—	—	—	—	—	—	1	2949 032
7-11-31	INSULATOR, Rad. Core Upr. Mtg. 28" Core	8	—	—	—	—	—	—	—	—	—	—	2	2579 307
7-11-35	SPACER, Rad. Core Upr. Mtg. 28" Core	8	—	—	—	—	—	—	—	—	—	—	2	2579 306
7-11-60	PAD, Radiator Core Lower Mtg., 28" Core	8	—	—	—	—	—	—	—	—	—	—	2	2579 260
7-12-0 RADIATOR FILLER CAP														
7-12-1	CAP, 16 lb. Pressure		1	1	1	1	1	1	1	1	1	1	1	1686 107
7-13-0 RADIATOR DRAIN COCK														
7-13-2	DRAIN COCK		1	1	1	1	1	1	1	1	1	1	1	1686 198
7-14-0 RADIATOR HOSE														
7-14-4	HOSE, Radiator Inlet, w/318 Eng., w/A/Cond.	8	1	1	1	—	—	—	—	—	—	—	—	2863 212
	w/383 Eng.	8	—	1	1	—	—	—	—	—	—	—	—	2863 209
	w/170 Eng.	6	1	1	1	—	—	—	—	—	—	—	—	1881 813
	w/225 Eng.	6	1	1	1	—	—	—	—	—	—	—	—	1881 805
	w/273, 318 and 340 Eng., w/o A/Cond.	8	1	1	1	1	1	1	1	—	—	—	—	2863 211
	w/318 Eng., w/A/Cond.	8	—	—	—	1	1	1	1	—	—	—	—	2806 032
	w/383 and 440 Eng., w/383 Eng., w/Leece Neville Alt.	8	—	—	—	1	1	1	1	1	1	1	—	2863 257
	w/A/Cond. 426 Eng. All Imperial	8	—	—	—	1	1	—	—	—	—	—	—	2863 230
	w/225 Eng.	8	—	—	—	—	—	—	—	—	—	—	1	2863 221
	CANADA Only	6	—	—	—	—	—	—	—	—	—	—	—	2863 241
	HOSE, Radiator Inlet W/170 Eng. Canada	6	1	1	1	—	—	—	—	—	—	—	—	1719 640
	w/225 Eng. Canada	6	1	1	1	—	—	—	—	—	—	—	—	1719 639
	w/383 and 440 Eng. w/o A/Cond Canada	8	—	—	—	1	1	1	1	1	1	1	—	1719 640
7-14-5	HOSE, Radiator Outlet, w/170 and 225 Eng.	6	1	1	1	1	1	—	—	—	—	—	—	2863 235
	w/383 Eng.	8	—	1	1	—	—	—	—	—	—	—	—	2863 243
	w/273, 318 and 340 Eng.	8	1	1	1	1	1	1	—	—	—	—	—	2863 205
	w/383, 426 and 440 Eng.	8	—	—	—	1	1	—	—	—	—	—	—	2863 245
	w/318 Eng., w/A/Cond.	8	—	—	—	1	1	—	—	—	—	—	—	2863 248
	w/225 Eng.	6	—	—	—	—	—	1	—	—	—	—	—	2863 242
	w/383 and 440 Eng.	8	—	—	—	—	—	1	1	1	1	1	—	2863 246
	w/318 Eng.	8	—	—	—	—	—	1	1	—	—	—	—	2863 249
	Imperial	8	—	—	—	—	—	—	—	—	—	—	1	2863 247
	CANADA Only	6	—	—	—	—	—	—	1	—	—	—	—	2863 242
7-14-9	HOSE, Water Pump By-Pass, 5/8" I.D., 50 ft. Roll	6	AR	AR	AR	AR	AR	AR	—	—	—	—	—	1315 466
	w/273, 318 and 440 Eng.	8	1	1	1	1	1	1	1	—	—	—	—	2465 085
7-14-13	CLAMP, Radiator Outlet and Inlet Hose		AR	AR	AR	AR	AR	AR	AR	AR	AR	AR	AR	870 469
	CLAMP, Radiator and Inlet Hose Canada	4	4	4	4	4	4	4	4	4	4	4	—	443 832
	CLIP, Radiator Overflow Drain Hose, 28" Core		—	—	—	—	—	—	—	—	—	—	2	2578 045

TYPE LETTERS Indicates

B - Barracuda

V - Valiant
L - DartR - Belvedere
W - CoronetP - Plymouth
D - DodgeC - Chrysler
Y - Imperial

AR Indicates use as required.

Indicates parts not listed in any previous parts book.

Numerals in parentheses () refer to notes.

★ Indicates change or addition.

Printed in U.S.A.
January 1971

CODE	PART NAME	ENG. TYPE OR CU.IN.	V	B	L	R	W	P	D	C	C	C	Y	PART NUMBER
			1-2	1-2	1-2	1-2	1-2	1-2	1-2	1	2	3	1	
7-14-0 RADIATOR HOSE Cont'd.														
7-14-13	CLAMP Cont'd. CLAMP, Water Pump By-Pass Hose, w/273, 318 and 340 Eng		2	2	2	2	2	2	2	—	—	—	—	272 783
7-14-31	HOSE, Radiator Overflow, 9/32" I.D. (sold by the foot)		AR	AR	AR	AR	AR	AR	AR	AR	AR	AR	AR	1904 950
7-16-0 RADIATOR GRILLE														
7-16-11	GRILLE, Radiator, V		1	—	—	—	—	—	—	—	—	—	—	2898 110
	B, Radiator, Complete, w/Formula "S" Pkg.		—	1	—	—	—	—	—	—	—	—	—	2998 198-9
	B, Radiator, Complete, w/o Formula "S" Pkg.		—	1	—	—	—	—	—	—	—	—	—	2998 196-7
	B, Radiator, w/Formula "S" Pkg.		—	1	—	—	—	—	—	—	—	—	—	2898 808-9
	B, Radiator, w/o Formula "S" Pkg.		—	1	—	—	—	—	—	—	—	—	—	2898 618-9
	L-P, L-S		—	—	1	—	—	—	—	—	—	—	—	2898 242
	L-L, L-H		—	—	1	—	—	—	—	—	—	—	—	2898 114
	R-M		—	—	—	1	—	—	—	—	—	—	—	2949 007
	R-L, R-H		—	—	—	1	—	—	—	—	—	—	—	2898 116
	R-P, R-S		—	—	—	1	—	—	—	—	—	—	—	2898 118
	W-L, W-H		—	—	—	—	1	—	—	—	—	—	—	2898 120
	W-P, W-S, W-M, except Fast Back		—	—	—	—	—	1	—	—	—	—	—	2898 872
	W-P, W-S Fast Back, Radiator Center		—	—	—	—	—	—	1	—	—	—	—	2898 638
	W-P, Extension, Fast Back		—	—	—	—	—	—	1	—	—	—	—	2786 362-3
	Charger "500"		—	—	—	—	—	—	1	—	—	—	—	2786 857
	CHARGER "500" w/Attaching Brackets		—	—	—	—	—	—	1	—	—	—	—	3412 581
	P-E, P-L		—	—	—	—	—	—	1	—	—	—	—	2898 124
	P-H, P-P, P-M Sta Wgn		—	—	—	—	—	—	1	—	—	—	—	2898 676
	P-M, 2 D.H.T., Cv. Cp., 4 D., 4 D. H.T.		—	—	—	—	—	—	1	—	—	—	—	2898 124
	P-M, Sta. Wgn.		—	—	—	—	—	—	1	—	—	—	—	2898 676
	C-E, C-L		—	—	—	—	—	—	—	1	—	—	—	2898 659
	C-H, C-P		—	—	—	—	—	—	—	—	—	1	—	2998 426-7
	C-M, Center		—	—	—	—	—	—	—	—	—	1	—	2898 468
7-16-14	RETAINER, Radiator Grille, Fast Back		—	—	—	—	10	—	—	—	—	—	—	2785 743
	SPACER, Radiator Grille Fast Back	Long Short	—	—	—	—	10	—	—	—	—	—	—	2949 305
			—	—	—	—	10	—	—	—	—	—	—	2949 311
7-16-22	BRACE, Radiator Grille Vertical Lock Support, P-E, P-L, P-M, except Sta. Wgn.		—	—	—	—	—	—	1	—	—	—	—	2898 364
	Radiator Grille Lower Panel		—	—	—	—	—	—	—	—	—	—	—	2898 238
	Vertical Lock Support		1	—	—	—	—	—	—	1	—	1	—	2898 459
	Vertical Lock Support, C-H, C-P		—	—	—	—	—	—	—	—	—	1	—	2998 499
	C-M		—	—	—	—	—	—	—	—	—	1	—	2898 734
	BRACKET, Radiator Grille Vertical Lock Support, Upper		1	1	—	—	—	—	—	—	—	—	—	2582 681
7-16-25	BRACKET, Radiator Grille, Inner Radiator Grille Bumper Mtg.		—	1	—	—	—	—	—	—	—	—	—	2898 804-5
	Radiator Grille To Upper Cross Bar		—	—	—	—	—	—	—	—	—	—	—	2949 188
	Charger "500"		—	—	—	—	—	1	—	—	—	—	—	2836 990-1
	Lower Cross Bar Charger "500"		—	—	—	—	—	1	—	—	—	—	—	2836 992
7-16-36	MOULDING, Radiator Grille Texture Center, D-H, (D-P Canada)		—	—	—	—	—	—	—	1	—	—	—	2898 446
	Texture Outer, (D-P Canada)		—	—	—	—	—	—	—	1	—	—	—	2898 444-5
	Upper and Lower, W-P, W-S, Fast Back		—	—	—	—	—	—	—	—	—	—	—	2898 678
	Center, W, Fast Back		—	—	—	—	—	—	—	—	—	—	—	2898 927
	Extension, Outer, W, Fast Back		—	—	—	—	—	—	—	—	—	—	—	2932 206-7

TYPE LETTERS Indicates B - Barracuda V - Valiant R - Belvedere P - Plymouth C - Chrysler L - Dart W - Coronet D - Dodge Y - Imperial

AR Indicates use as required. Numerals in parentheses () refer to notes. Printed in U.S.A. # Indicates parts not listed in any previous parts book. ★ Indicates change or addition. January 1971

CODE	PART NAME	ENG. TYPE OR CU.IN.	V	B	L	R	W	P	D	C	C	C	Y	PART NUMBER
			1-2	1-2	1-2	1-2	1-2	1-2	1-2	1	2	3	1	
7-16-0 RADIATOR GRILLE Cont'd.														
7-16-36	MOULDING Cont'd.													
	Upper and Lower, R-P, R-S		—	—	—	2	—	—	—	—	—	—	—	2898 298
	FRAME, Radiator Grille		—	—	—	—	—	—	—	—	—	—	1	2898 499
	Upper and Lower, P-H, P-P		—	—	—	—	—	1	—	—	—	—	—	2898 730
	Upper and Lower, P-M, Sta. Wgn.		—	—	—	—	—	1	—	—	—	—	—	2898 730
	Radiator Grille		—	—	—	—	—	—	1	—	—	—	—	2898 642
7-16-37	RETAINER, Radiator Grille, Upper and Lower Mldg., W-P, W-S, Fast Back		—	—	—	—	1	—	—	—	—	—	—	2785 748
	REINFORCEMENT, Radiator Grille Support Bracket		—	—	—	—	—	—	—	—	—	—	—	
		Rt.	—	—	1	—	—	—	—	—	—	—	—	2582 119
		Lt.	—	—	1	—	—	—	—	—	—	—	—	2786 563
	Radiator Grille Yoke Crossmember		—	1	—	—	—	—	—	—	—	—	—	2949 100
7-16-47	BAR, Radiator Grille Center		—	—	—	—	—	—	—	—	—	—	1	2898 500
7-16-55	BRACE, Radiator Grille Yoke Bracket, C-E, C-L		—	—	—	—	—	—	—	1	—	—	—	2898 792-3
	C-M		—	—	—	—	—	—	—	—	2	—	—	2898 796
	C-H, C-P		—	—	—	—	—	—	—	—	—	1	—	2898 794-5
7-16-61	NAME PLATE, Radiator Grille		—	1	—	—	—	—	—	—	—	—	—	2785 791
	W-L, W-H		—	—	—	—	1	—	—	—	—	—	—	2898 335
	W-M, 2 D		—	—	—	—	1	—	—	—	—	—	—	2949 303
	CHARGER "500"		—	—	—	—	1	—	—	—	—	—	—	2840 066
	R-P "Sport Satelute"		—	—	—	1	—	—	—	—	—	—	—	2898 302
	R-S "GTX"		—	—	—	1	—	—	—	—	—	—	—	2898 303
	D-L, D-M	Dodge	—	—	—	—	—	—	1	—	—	—	—	2898 644
	C-E, C-L		—	—	—	—	—	—	—	1	—	—	—	2898 952
	D-H	(Monaco)	—	—	—	—	—	—	—	1	—	—	—	2898 645
	NAME PLATE, Radiator Grille D-P CANADA (MONACO)		—	—	—	—	—	—	1	—	—	—	—	2898 645
	NAME PLATE, Radiator Grille, W-P, W-S Charger		—	—	—	—	1	—	—	—	—	—	—	2898 929
	R/T, W-S		—	—	—	—	1	—	—	—	—	—	—	2898 931
	NAME PLATE, Radiator Grille Head Lamp, Dr., Lt.		—	—	—	—	—	—	—	—	—	—	1	2949 136
7-16-63	PANEL, Radiator Grille Lower, R		—	—	—	1	—	—	—	—	—	—	—	2949 443
	V		1	—	—	—	—	—	—	—	—	—	—	2933 959
	P		—	—	—	—	—	1	—	—	—	—	—	2898 750
	Radiator Grille Center, except Fast Back		—	—	—	—	1	—	—	—	—	—	—	2898 693
	Radiator Grille, Upper		—	1	—	—	—	—	—	—	—	—	—	2898 240
	Radiator Grille, Lower		—	1	—	—	—	—	—	—	—	—	—	2809 862
7-16-117	BUSHING, Radiator Grille, Fast Back		—	—	—	—	10	—	—	—	—	—	—	2785 742

7-17-0 RADIATOR GRILLE MEDALLION OR ORNAMENT

NOTE (1) See Exterior Moulding Illustrations Catalog.

7-17-1	ORNAMENT, Radiator Grille													
	W-S, R/T		—	—	—	—	1	—	—	—	—	—	—	2898 886
	W-P, 500		—	—	—	—	1	—	—	—	—	—	—	2898 334
	V-H		1	—	—	—	—	—	—	—	—	—	—	2898 239
	C-H, C-P		—	—	—	—	—	—	—	—	1	—	—	2898 187
	C-M		—	—	—	—	—	—	—	—	1	—	—	2898 467
	W-M, Super Bee		—	—	—	—	1	—	—	—	—	—	—	2949 303
	MEDALLION, Radiator Grille, P-H, Sport Fury		—	—	—	—	—	1	—	—	—	—	—	2898 362
	P-M, Sta. Wgn.		—	—	—	—	—	1	—	—	—	—	—	2898 362
	P-P, VIP		—	—	—	—	—	1	—	—	—	—	—	2898 363
	CHARGER 500 Numerals		—	—	—	—	1	—	—	—	—	—	—	2901 811
7-17-13	TEXTURE, Radiator Grille, D-H, D-L, D-M w/Auxiliary Driving Lamp		—	—	—	—	—	—	1	—	—	—	—	2949 163

TYPE LETTERS Indicates

B - Barracuda

V - Valiant
L - DartR - Belvedere
W - CoronetP - Plymouth
D - DodgeC - Chrysler
Y - Imperial

AR Indicates use as required.

Indicates parts not listed in any previous parts book.

Numerals in parentheses () refer to notes.

★ Indicates change or addition.

Printed in U.S.A.
January 1971

CODE	PART NAME	ENG. TYPE OR CU.IN.	V	B	L	R	W	P	D	C	C	C	Y	PART NUMBER
			1-2	1-2	1-2	1-2	1-2	1-2	1-2	1	2	3	1	
7-17-0 RADIATOR GRILLE MEDALLION OR ORNAMENT Cont'd.														
7-17-13	TEXTURE Cont'd.													
	D-L, D-M, w/o Auxiliary Driving Lamp								1					2898 128
	DL-DM w/Frj. End. Orn. Package w/o Auxiliary Driving Lamp								1					2998 856
	Imperial												2	2898 501
	D-H, Standard								1					2898 130
	TEXTURE, Radiator Grille													
	YOKE, 19 and 22" Core CANADA	6						1	1					2934 081
	D-P Canada, W/Auxiliary Driving Lamp							1						2949 163
	D-P Canada, w/o Aux. Driving Lamp							1						2898 130
7-17-17	TAPE, Radiator Grille Upper Panel-Black 2 D.H.T., Fast Back w/Air-Scoop Hood			1										2949 352-3
	TEXTURE, Radiator Grille													
	D-P Canada, w/Auxiliary Driving Lamp							1						2949 163
	D'P Canada, w/o Aux. Driving Lamp							1						2890 130
7-17-21	SPACER, Radiator Grille Ornament Mtg., V-H		1											2898 887
7-26-0 RADIATOR YOKE														
7-26-2	YOKE, 19 and 22" Core							1	1	1	1	1		3417 751
	26" Core	8						1	1	1	1	1		3417 750
	Imperial	8											1	2933 962
7-26-10	RETAINER, Radiator Air Shield, Plastic	8								12	12	12		2898 909
7-26-15	SHIELD, Radiator Air, W-P, W-S, Fast Back						1							2786 947
	W, except Fast Back						1							2856 614
	Extension, W-P, W-S, Fast Back						1							2786 936-7
	R					1								2856 558
	P,D (Plastic)							1	1					2898 371
	Panel, C									1	1	1		2949 226
	Y												1	2931 432
	Radiator Air, (Rubber)									1	1	1		2898 191
7-26-18	SHIM, Radiator Yoke to Frame Thin For Thick Shim use 2 of 1902 763					AR	AR	AR	AR	AR	AR	AR	AR	1902 763
7-26-24	BRACKET, Radiator Air Shield Reinforcement									1	1	1		2949 284-5
7-26-30	PANEL, Radiator Yoke Side													
	19" and 22" Core Lt.		1	1	1									2949 535
	19" and 22" Core Rt.					1	1							3417 437
	19" and 22" Core Lt.					1	1							2949 295
	26" Core Rt.					1	1							3417 436
	26" Core Lt.					1	1							2949 297
	PANEL and Reinforcement Radiator Yoke Side and Horn Mtg Rt.		1	1	1									2934 498
7-26-32	CROSSMEMBER, Radiator Yoke Side Panel					1	1							2785 822
						1	1							2949 302
7-26-37	BRACKET, Yoke Crossmember Radiator Grille					1								2898 998
						1	1							2898 597
	W-P, W-S, Fast Back							1						2949 288-9
	B					1								2949 100
7-26-38	BAFFLE, Radiator Grille Yoke Bracket								1					2898 732-3

TYPE LETTERS Indicates

B - Barracuda

V - Valiant
L - Dart

R - Belvedere
W - Coronet

P - Plymouth
D - Dodge

C - Chrysler
Y - Imperial

AR Indicates use as required.

Indicates parts not listed in any previous parts book.

Numerals in parentheses () refer to notes.

★ Indicates change or addition.

Printed in U.S.A.
January 1971

CODE	PART NAME	ENG. TYPE OR CU.IN.	V	B	L	R	W	P	D	C	C	C	Y	PART NUMBER
			1-2	1-2	1-2	1-2	1-2	1-2	1-2	1	2	3	1	
7-31-0 RADIATOR SPLASH SHIELD														
7-31-1	SHIELD, Radiator Frt. Crossmember Splash (Special Equip) CANADA		—	—	—	—	—	1	1	—	—	—	—	2648 437
7-33-0 RADIATOR CROSS BAR														
7-33-1	CROSS BAR, Radiator Grille 2D, 2D.H.T. Cv. Cp. 4D. And Sta. Wgn. Upper		—	—	1	—	—	—	—	—	—	—	—	2949 115
	RADIATOR Grille, Upper Fast Back Lower, W-P, W-S, Fast Back		—	—	—	—	1	—	—	—	—	—	—	2898 764 2949 104
7-33-18	BRACKET, Radiator Cross Bar Fender Flange Frt. Extension, 2 D., 2 D. H.T., Cv. Cp., 4 D. and Sta. Wgn		—	—	—	—	2	—	—	—	—	—	—	2786 386 2786 794
	BRACE, Radiator Grille Lower Cross Bar Vertical Lock Support, W-P, W-S, Fast Back		—	—	—	—	2	—	—	—	—	—	—	2786 815
7-41-0 THERMOSTAT														
7-41-4	THERMOSTAT, 190 degrees Fahrenheit, w/170 and 225 Eng.	6	1	1	1	1	1	1	—	—	—	—	—	3418 335
	w/170 Eng. 200 degrees Fahrenheit	6	1	1	1	—	—	—	—	—	—	—	—	3418 336
	190 degrees Fahrenheit	8	1	1	1	1	1	1	1	1	1	1	1	2808 662
	CANADA Only	6	—	—	—	—	—	—	1	—	—	—	—	2843 210
7-42-0 WATER PUMP														
7-42-1	WATER PUMP PACKAGE, w/170 and 225 Eng.	6	1	1	1	1	1	1	—	—	—	—	—	2808 679
	CANADA Only	6	—	—	—	—	—	—	1	—	—	—	—	2808 679
	w/273 Eng.	8	1	—	1	—	—	—	—	—	—	—	—	3004 991
	w/318 Eng., w/o A/Cond.	8	1	1	1	1	1	1	—	—	—	—	—	3004 991
	w/318 Eng., w/A/Cond.	8	1	1	1	1	1	1	—	—	—	—	—	3004 763
	w/340 Eng., w/o A/Cond.	8	—	1	1	—	—	—	—	—	—	—	—	3004 991
	w/340 Eng., w/A/Cond.	8	—	1	1	—	—	—	—	—	—	—	—	3004 763
	w/383 and 440 Eng., w/o A/Cond.	8	1	1	1	1	1	1	1	1	1	1	1	2808 680
	w/383, 426 and 440 Eng. w/A/Cond.	8	—	—	—	1	1	1	1	1	1	1	1	2808 681
	BOLT, Water Pump Housing, Power Steering Adj. 3/8" - 16 x 3 5/8"		—	1	1	1	1	1	1	1	1	1	1	9422 840
	Water Pump Body, 3/8" - 16 x 1 1/4" Hex		1	1	1	1	1	1	—	—	—	—	—	9416 171
	Water Pump Housing Altr. Mtg. Bracket, 3/8"-16 x 4 1/4"		—	1	1	1	1	1	1	1	1	1	1	433 116
7-42-4	WATER PUMP REPAIR PACKAGE w/170 and 225 Eng.	6	1	1	1	1	1	1	—	—	—	—	—	2808 682
	CANADA Only	6	—	—	—	—	—	—	1	—	—	—	—	2808 682
	w/273 Eng.	8	1	—	1	—	—	—	—	—	—	—	—	3004 814
	w/318 and 340 Eng., w/o A/Cond.	8	1	1	1	1	1	1	—	—	—	—	—	3004 814
	w/318 and 340 Eng., w/A/Cond.	8	1	1	1	1	1	1	—	—	—	—	—	3004 815
	w/383 Eng.	8	—	1	1	—	—	—	—	—	—	—	—	2808 683
	w/383 and 440 Eng., w/o A/Cond.	8	—	—	—	1	1	1	1	1	1	1	1	2808 683
	w/383 and 440 Eng. w/A/Cond.	8	—	—	—	1	1	1	1	1	1	1	1	2808 684
	w/426 Eng.	8	—	—	—	1	1	—	—	—	—	—	—	2808 684
7-43-0 WATER PUMP HOUSING														
7-43-1	HOUSING, w/383, 426 and 440 Eng.		—	1	1	1	1	1	1	1	1	1	1	2780 988
7-43-8	CAP, Water Pump Heater Hole	6	1	1	1	1	1	—	—	—	—	—	—	2128 425
7-43-18	PLUG, Water Pump Housing Heater Hole		—	2	2	2	2	2	2	2	2	2	2	1859 127

TYPE LETTERS Indicates

B - Barracuda

V - Valiant
L - DartR - Belvedere
W - CoronetP - Plymouth
D - DodgeC - Chrysler
Y - Imperial

AR Indicates use as required.

Indicates parts not listed in any previous parts book.

Numerals in parentheses () refer to notes.

★ Indicates change or addition.

Printed in U.S.A.

January 1971

CODE	PART NAME	ENG. TYPE OR CU.IN.	V	B	L	R	W	P	D	C	C	C	Y	PART NUMBER
			1-2	1-2	1-2	1-2	1-2	1-2	1-2	1	2	3	1	
7-43-0 WATER PUMP HOUSING Cont'd.														
7-43-18	PLUG Cont'd. PELLET, Hex. Head Bolt, Nyllok Nylon 3/8" - 16 x 4 1/2", w/273, 318 and 340 Eng.		AR	AR	AR	AR	AR	AR	AR	—	—	—	—	6026 539
7-44-0 WATER PUMP GASKET														
7-44-3	GASKET, w/273, 318 and 340 Eng. w/383, 426 and 440 Eng. CANADA Only	8 8 6	—	1	1	1	1	1	1	1	1	1	1	2129 013 1737 705 1947 521
7-44-4	GASKET, Water Pump Body, w/170 and 225 Eng. Water Pump Intermediate Plate, w/170 and 225 Eng. Water Pump Housing to Cylinder Block, w/383, 426 and 440 Eng. CANADA Only	6 6 8 6	1	1	1	1	1	1	—	—	—	—	—	1947 521 1947 523 1737 761 1947 523
7-45-0 WATER PUMP IMPELLER														
7-45-31	WATER PUMP, w/170 Eng. Impeller, Water Pump, w/383 and 440 Eng., w/o A/Cond. w/383, 426 and 440 Eng., w/A/Cond.	6 8 8	1	1	1	—	—	—	—	—	—	—	—	2298 906 2843 635 2843 923
7-46-0 WATER PUMP SEAL														
7-46-1	SEAL, Water Pump w/170 and 225 Eng. CANADA Only	8 6 6	1	1	1	1	1	1	1	1	1	1	1	2951 838 2951 010 2532 493
7-48-0 WATER PUMP ELBOW OR NIPPLE														
7-48-22	NIPPLE, Water Pump By-Pass, w/273 and 318 Eng. w/170 and 225 Eng. CANADA Only	8 6 6	1	1	1	1	1	1	1	—	—	—	—	1618 668 1947 643 1947 643

NOTES

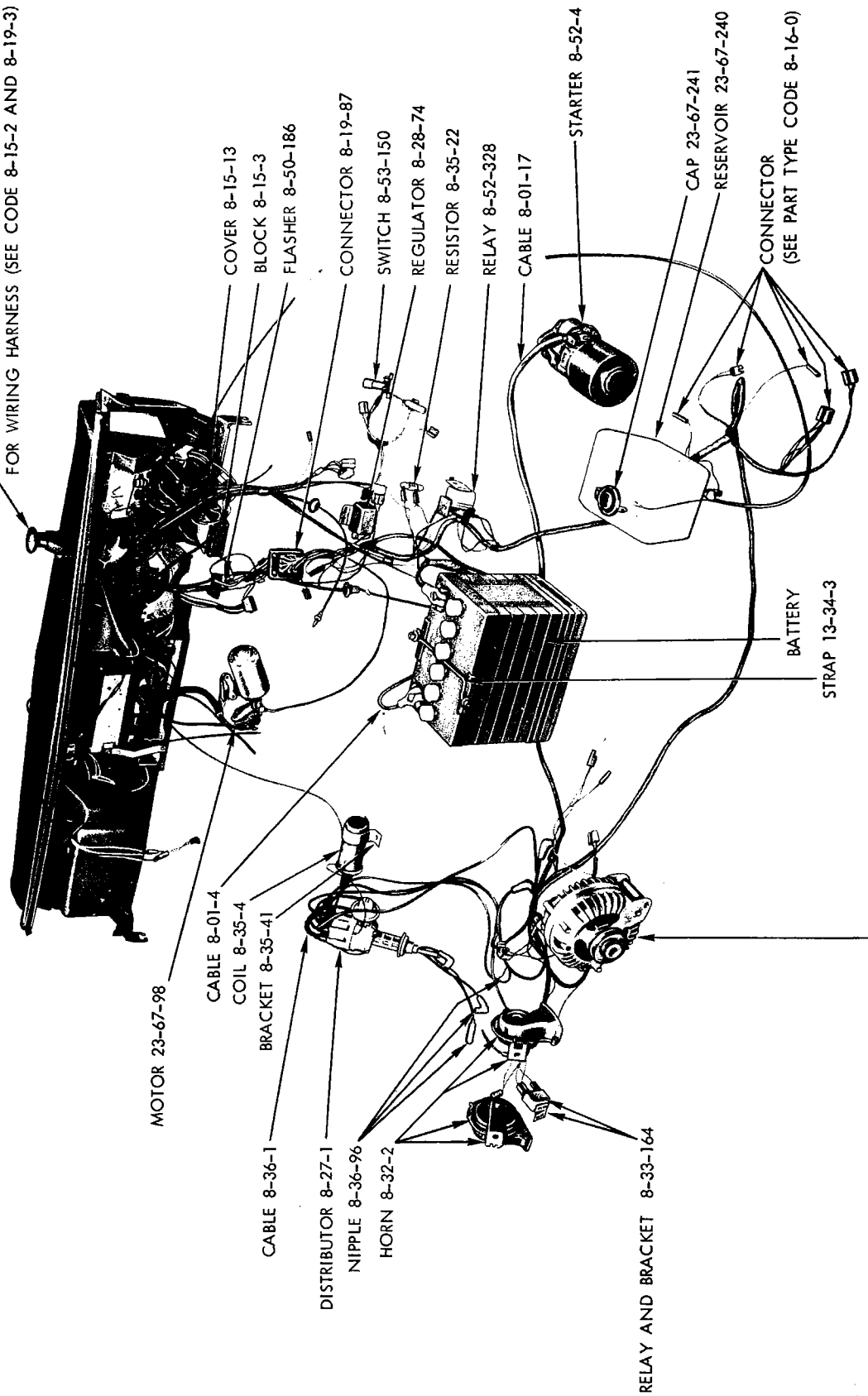
TYPE LETTERS Indicates B - Barracuda V - Valiant L - Dart R - Belvedere W - Coronet P - Plymouth D - Dodge C - Chrysler Y - Imperial

AR Indicates use as required. Numerals in parentheses () refer to notes. Printed in U.S.A.
 # Indicates parts not listed in any previous parts book. ★ Indicates change or addition. January 1971

NOTES

GROUP 8 - ELECTRICAL

SCANNER AND AMPLIFIER PACKAGE 1-04-3
FOR WIRING HARNESS (SEE CODE 8-15-2 AND 8-19-3)



MOTOR 23-67-98

CABLE 8-01-4

COIL 8-35-4

BRACKET 8-35-41

CABLE 8-36-1

DISTRIBUTOR 8-27-1

NIPPLE 8-36-96

HORN 8-32-2

RELAY AND BRACKET 8-33-164

ALTERNATOR 8-28-3

COVER 8-15-13

BLOCK 8-15-3

FLASHER 8-50-186

CONNECTOR 8-19-87

SWITCH 8-53-150

REGULATOR 8-28-74

RESISTOR 8-35-22

RELAY 8-52-328

CABLE 8-01-17

STARTER 8-52-4

CAP 23-67-241

RESERVOIR 23-67-240

CONNECTOR
(SEE PART TYPE CODE 8-16-0)

BATTERY

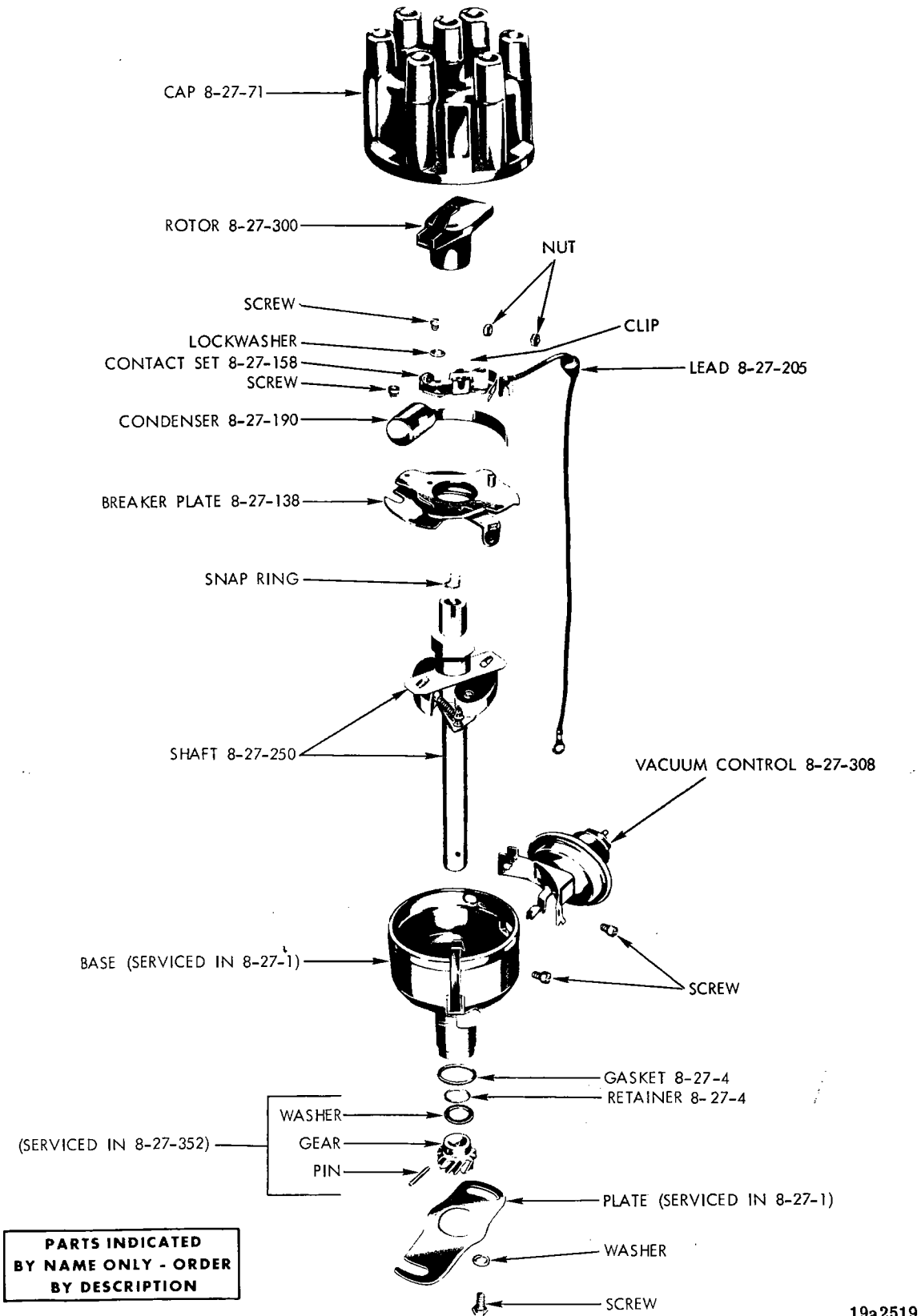
STRAP 13-34-3

*FUSIBLE
LINK
8-15-27*

19a1093A

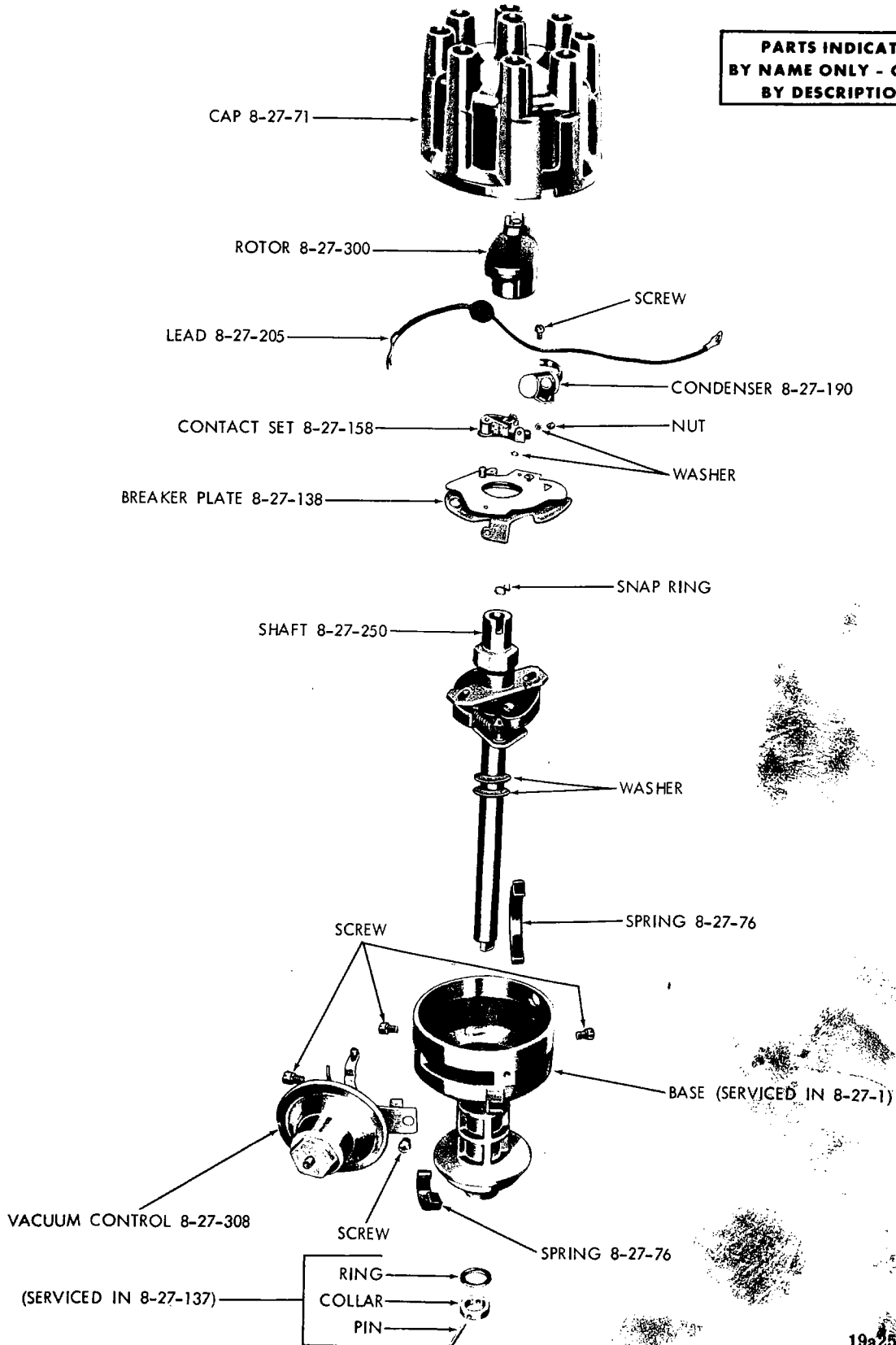
ELECTRICAL SYSTEM

**PARTS INDICATED
BY NAME ONLY - ORDER
BY DESCRIPTION**



DISTRIBUTOR - 6 CYLINDER

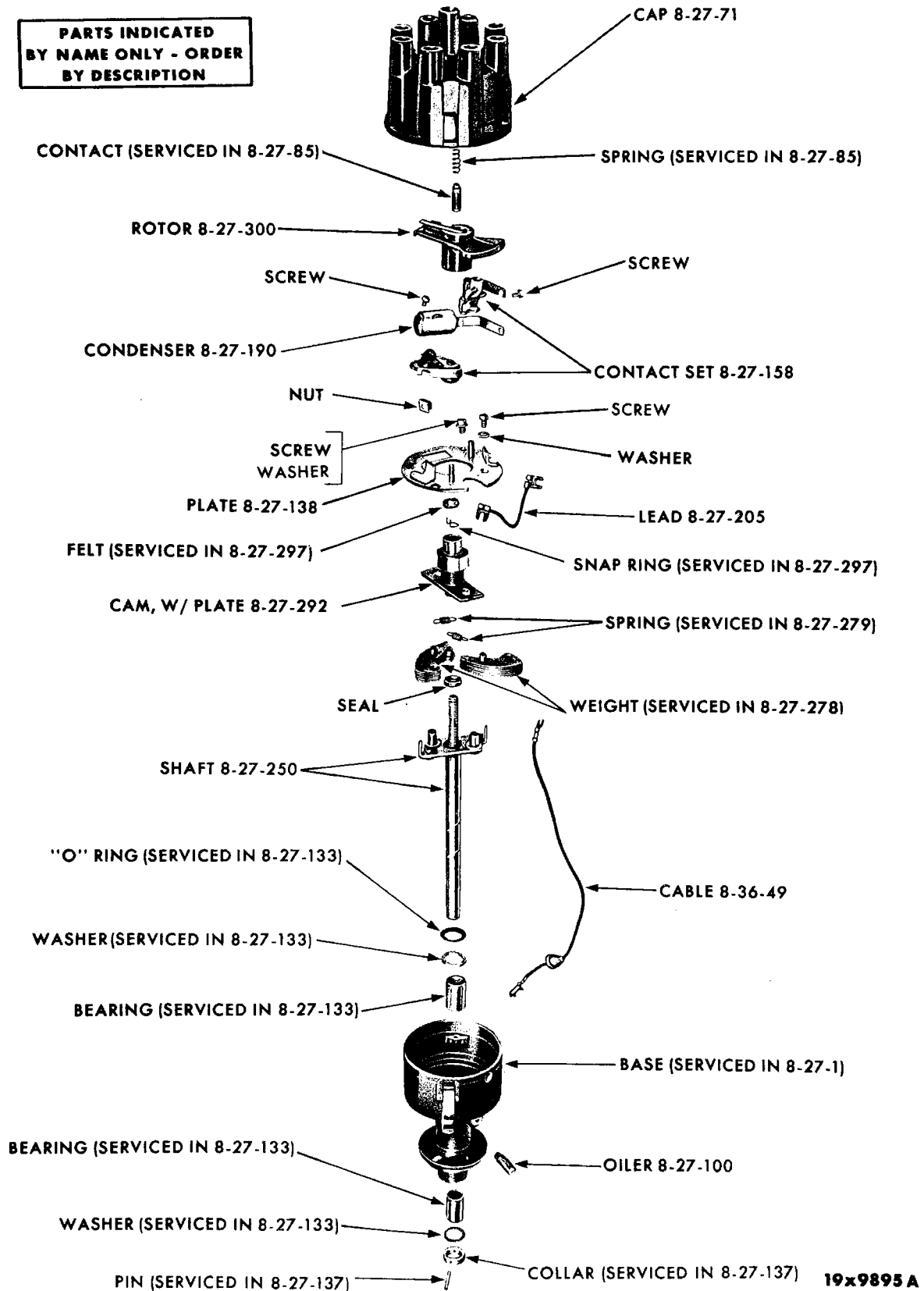
PARTS INDICATED
BY NAME ONLY - ORDER
BY DESCRIPTION



19a2534

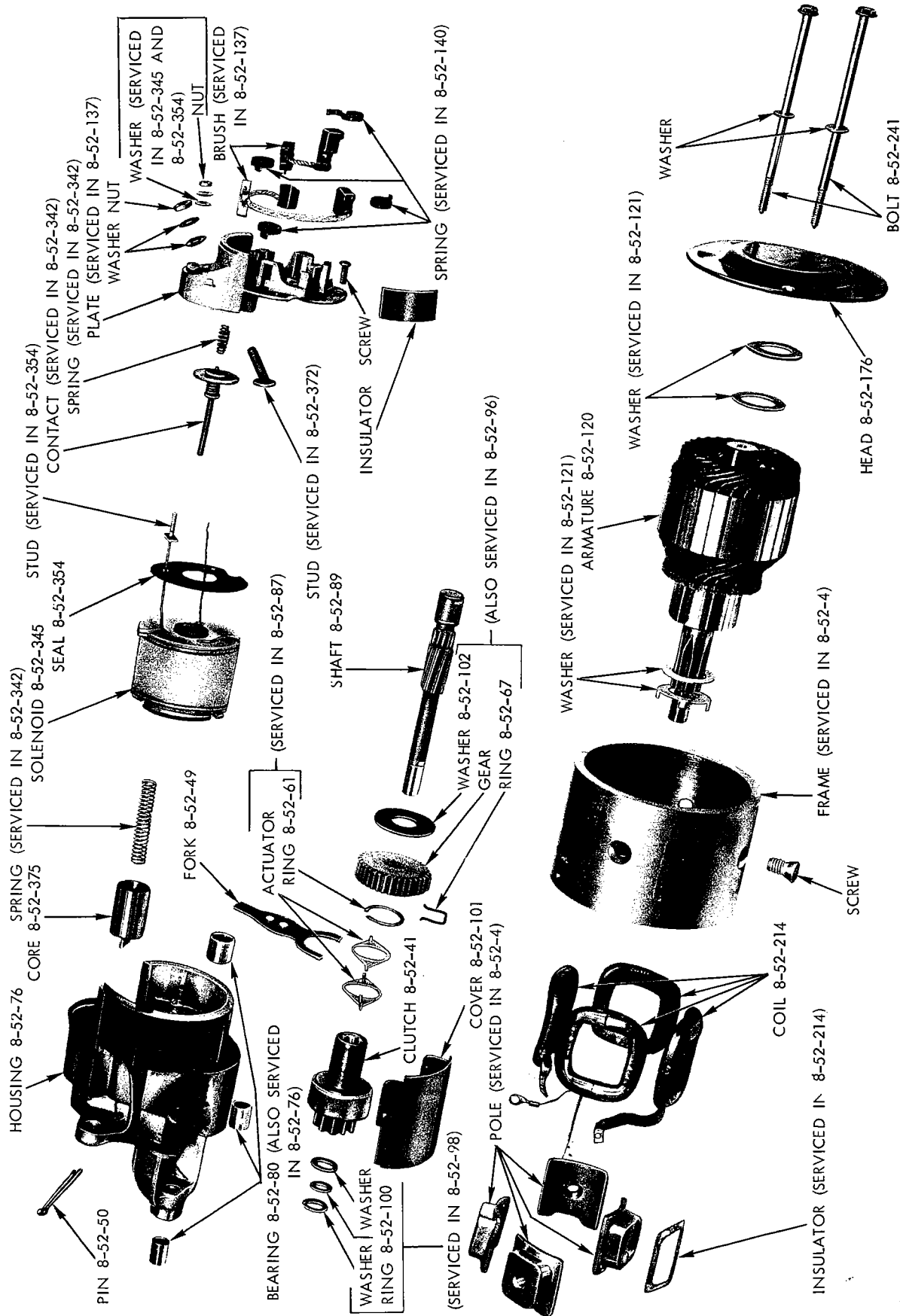
DISTRIBUTOR - 8 CYLINDER

**PARTS INDICATED
BY NAME ONLY - ORDER
BY DESCRIPTION**



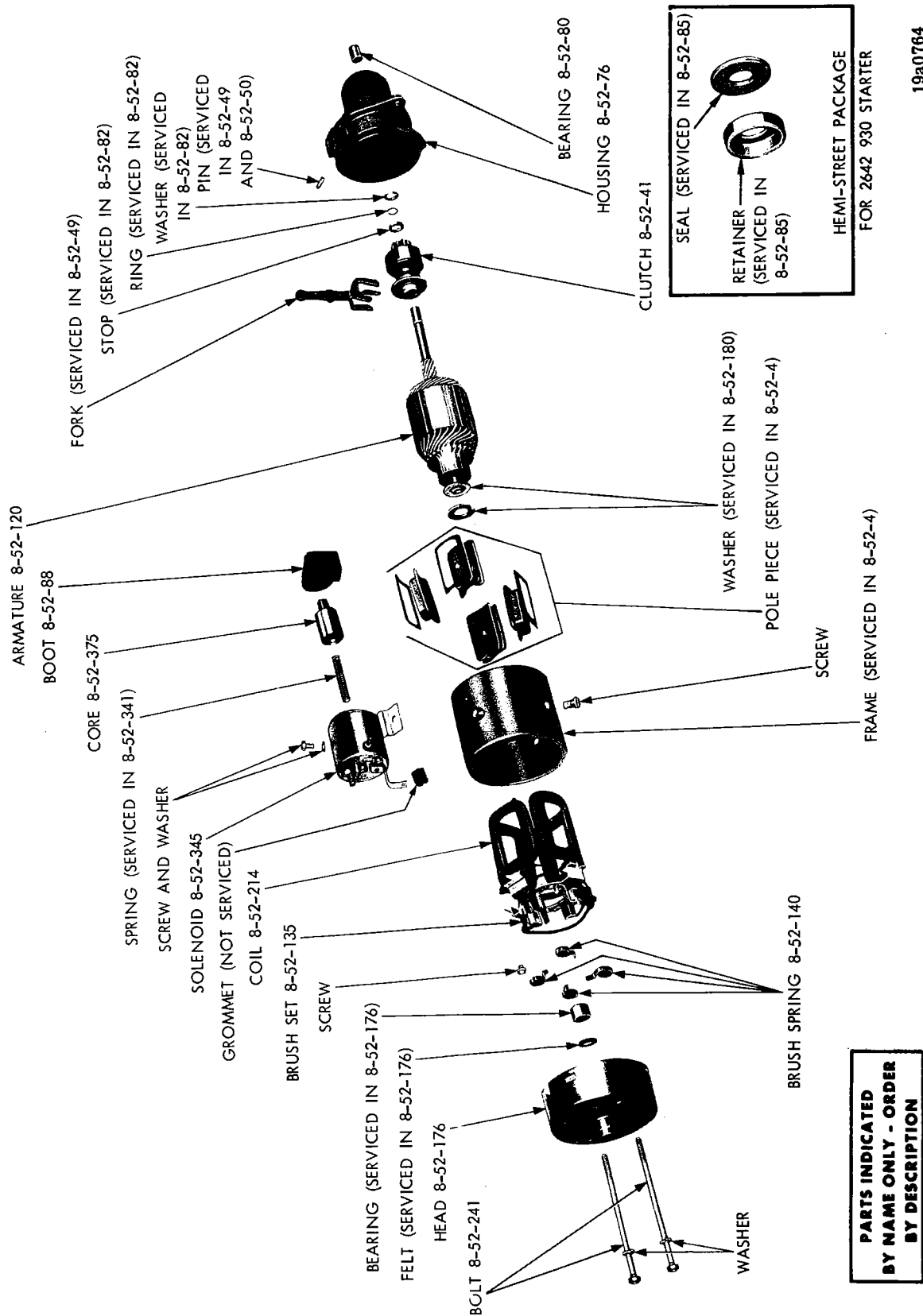
19x9895 A

DISTRIBUTOR - PRESTOLITE



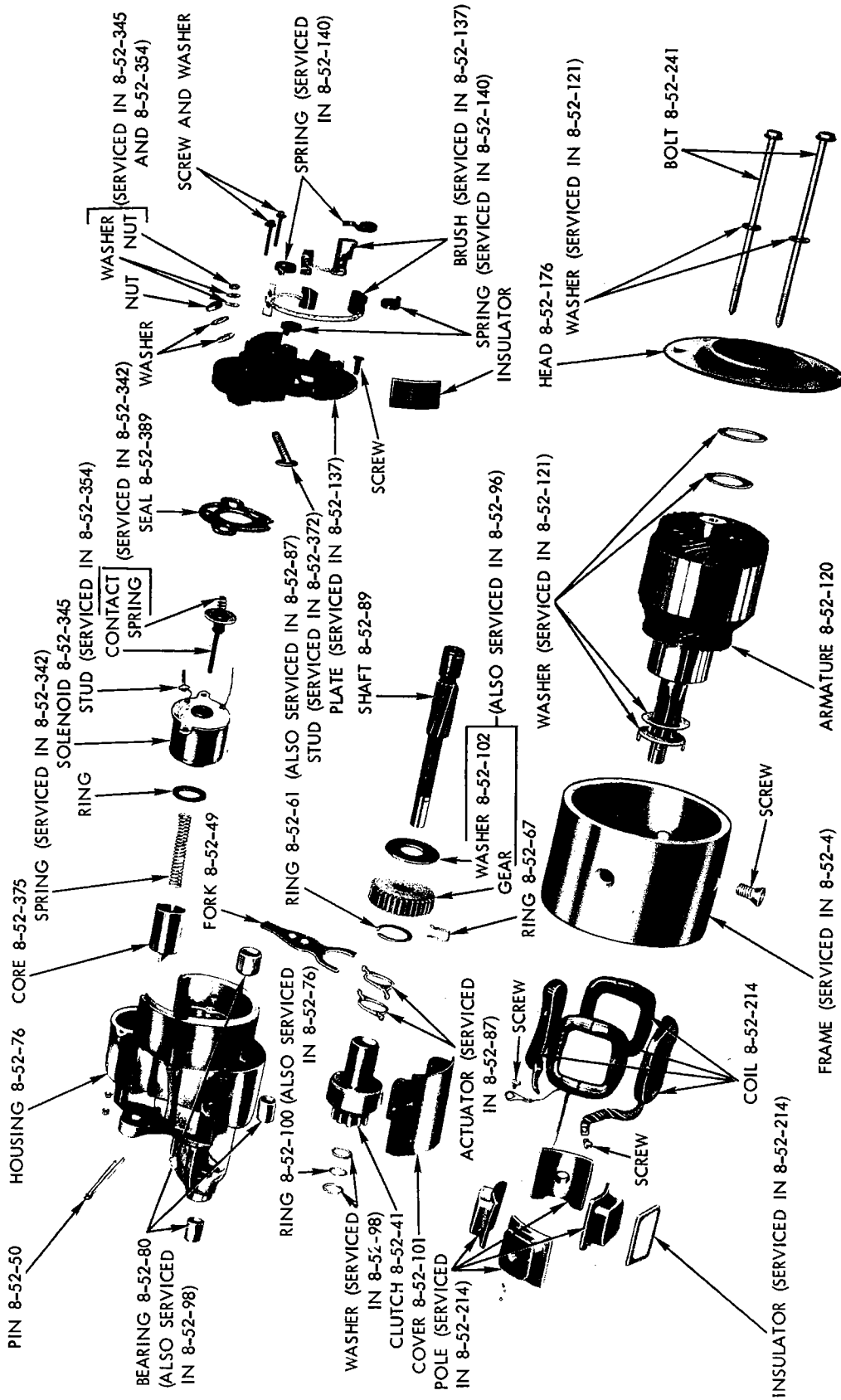
19a2518A

STARTER ASSEMBLY (2095 150 AND 2098 500)



PARTS INDICATED BY NAME ONLY - ORDER BY DESCRIPTION

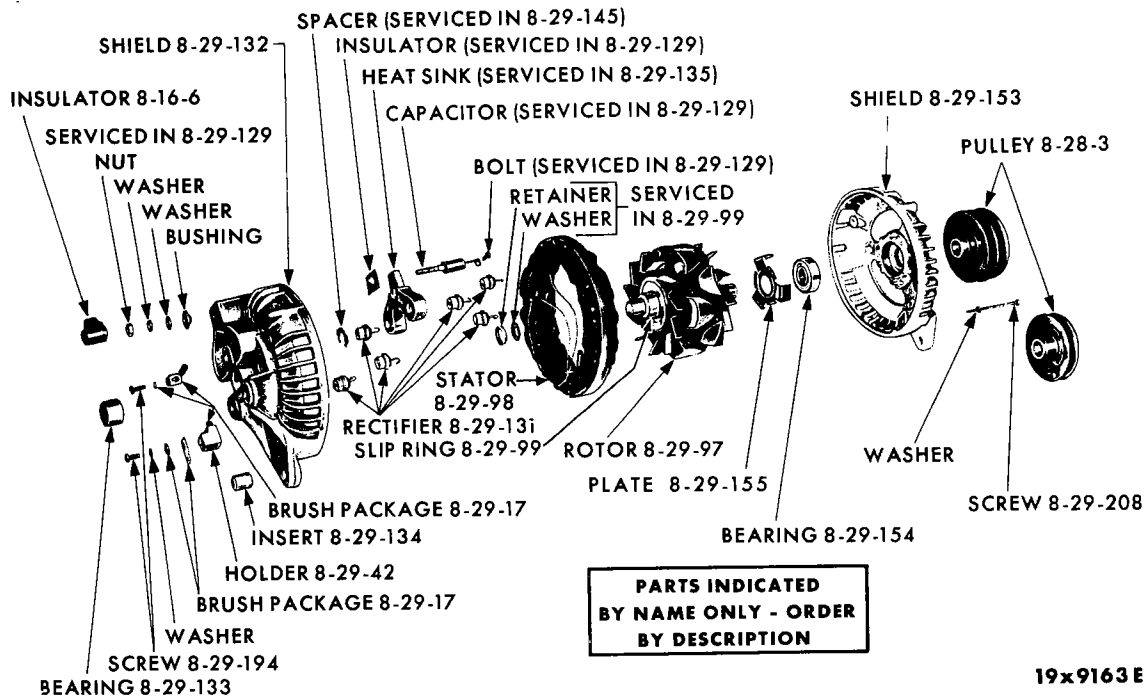
STARTER ASSEMBLY (1889 100 AND 2642 930)



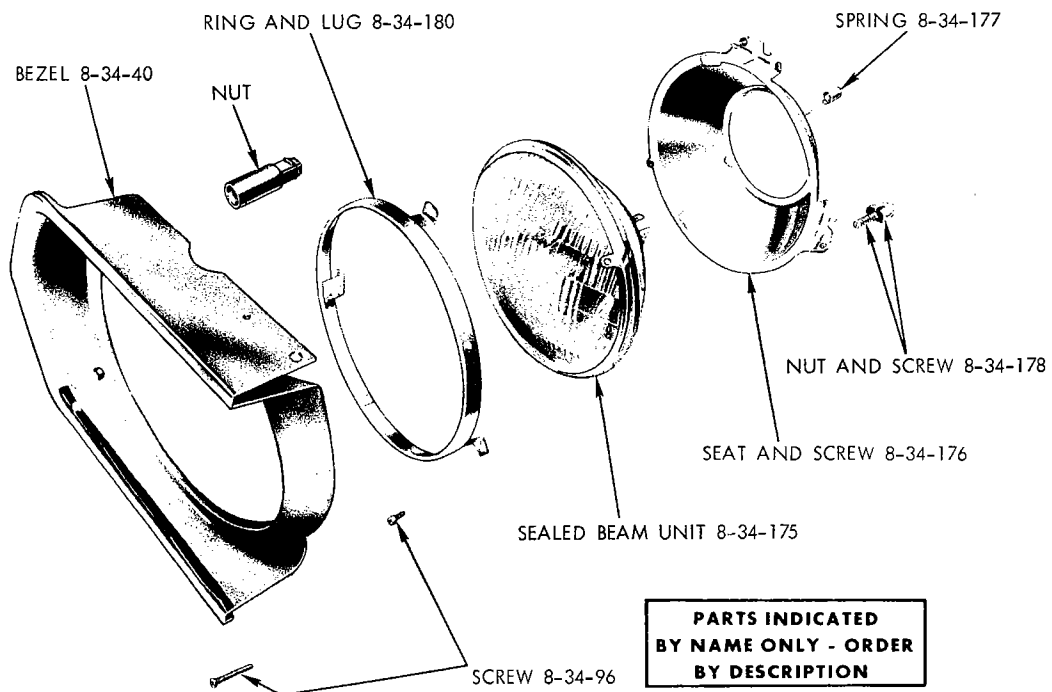
**PARTS INDICATED
BY NAME ONLY - ORDER
BY DESCRIPTION**

19a2607

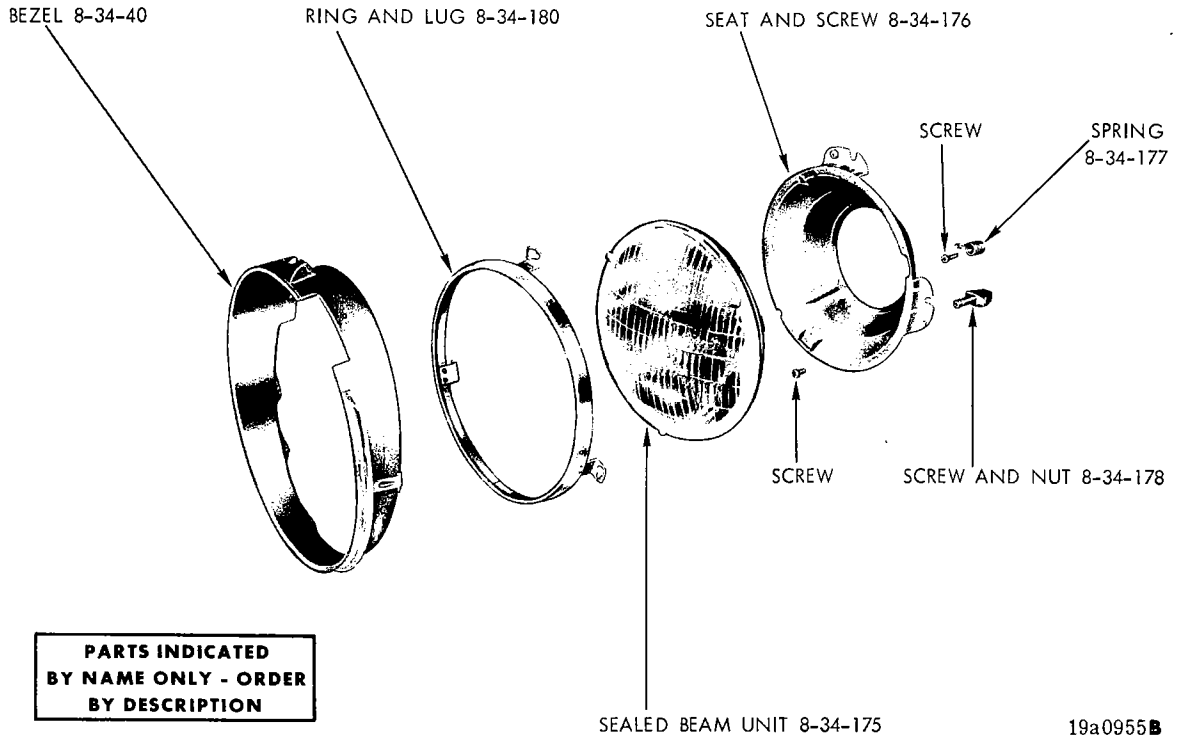
STARTER ASSEMBLY (2875 560)



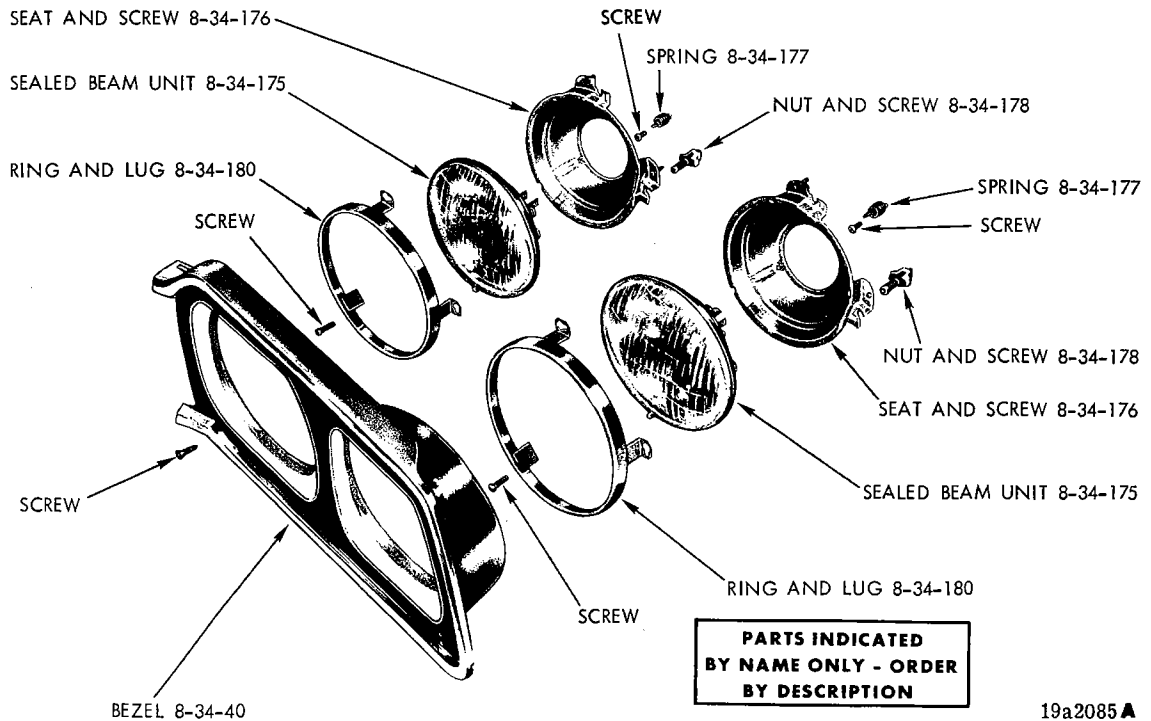
ALTERNATOR - 2642 537, 2098 850 AND 2642 944



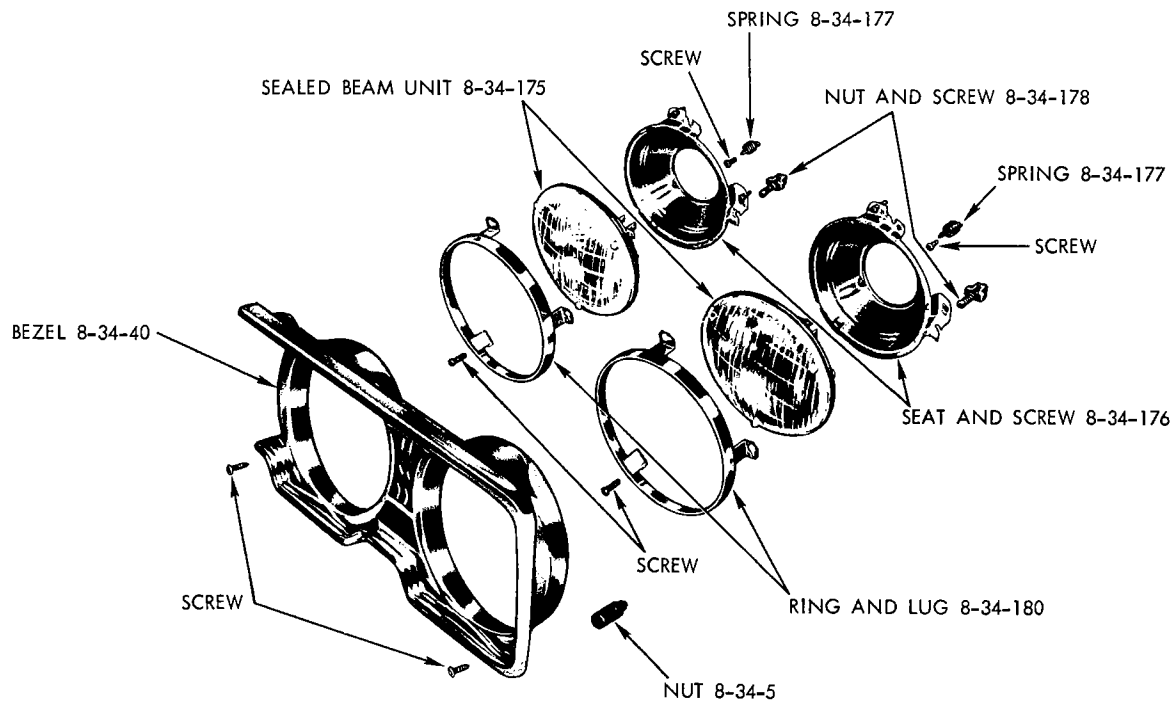
HEADLAMP - VALIANT



HEADLAMP - BARRACUDA

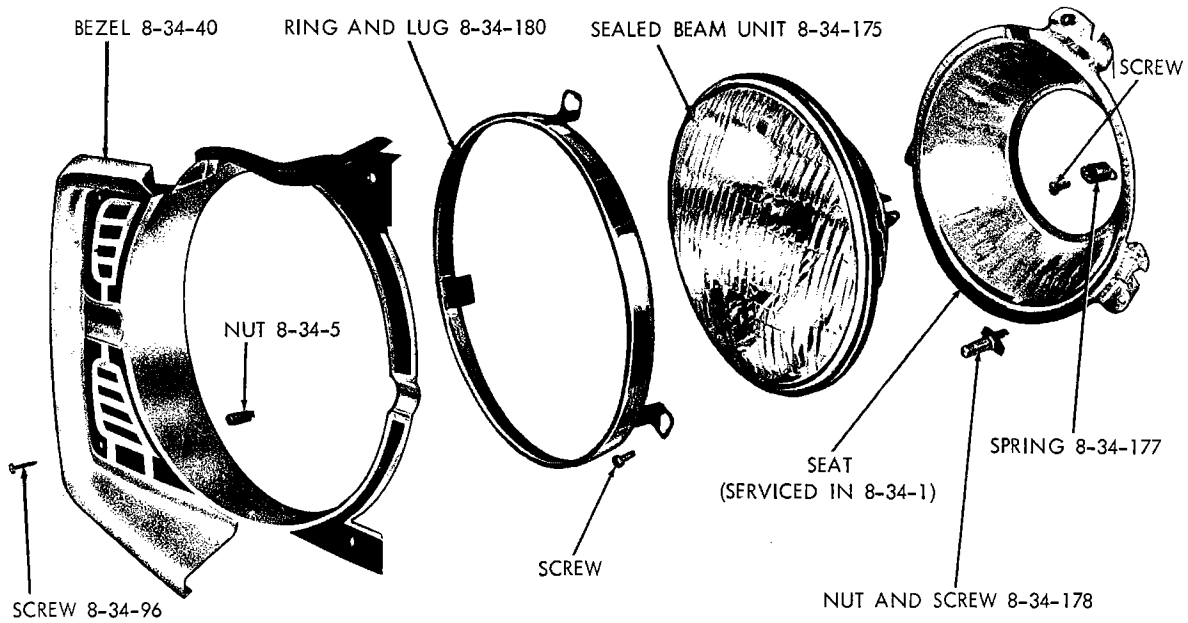


HEADLAMP - BELVEDERE



19a2524

HEADLAMP - PLYMOUTH FURY

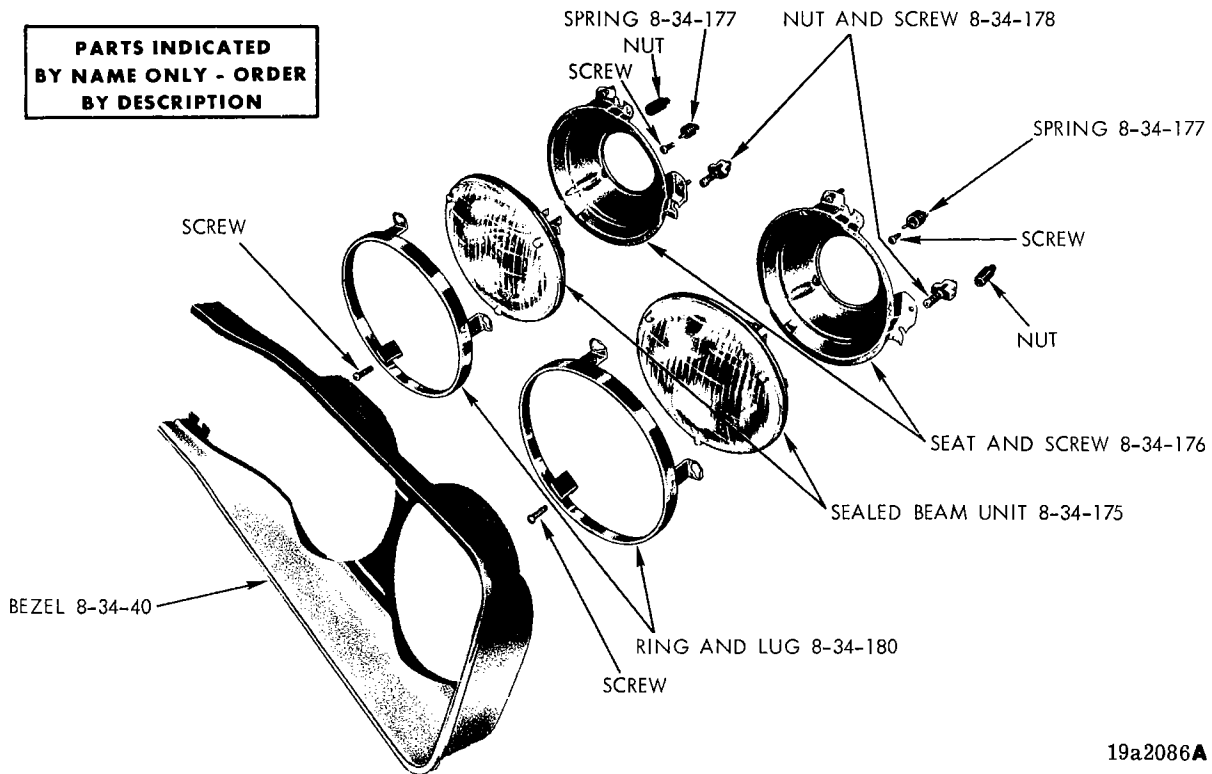


**PARTS INDICATED
BY NAME ONLY - ORDER
BY DESCRIPTION**

19a2084 ▲

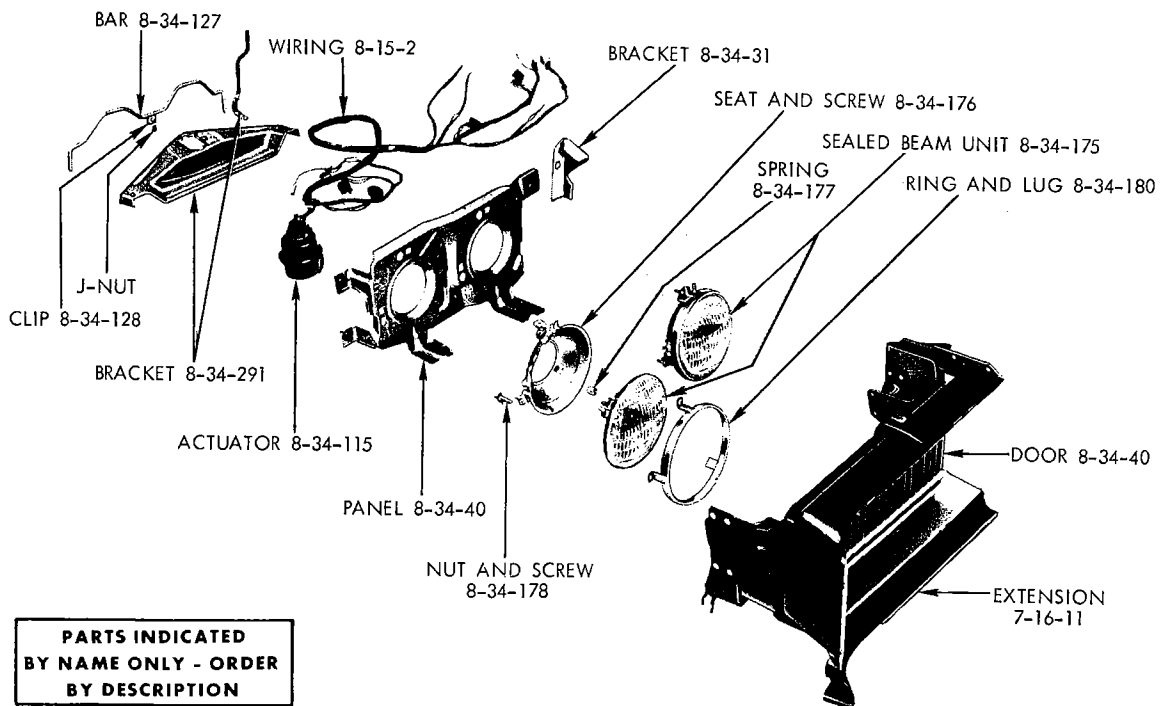
HEADLAMP - DART

**PARTS INDICATED
BY NAME ONLY - ORDER
BY DESCRIPTION**



19a2086A

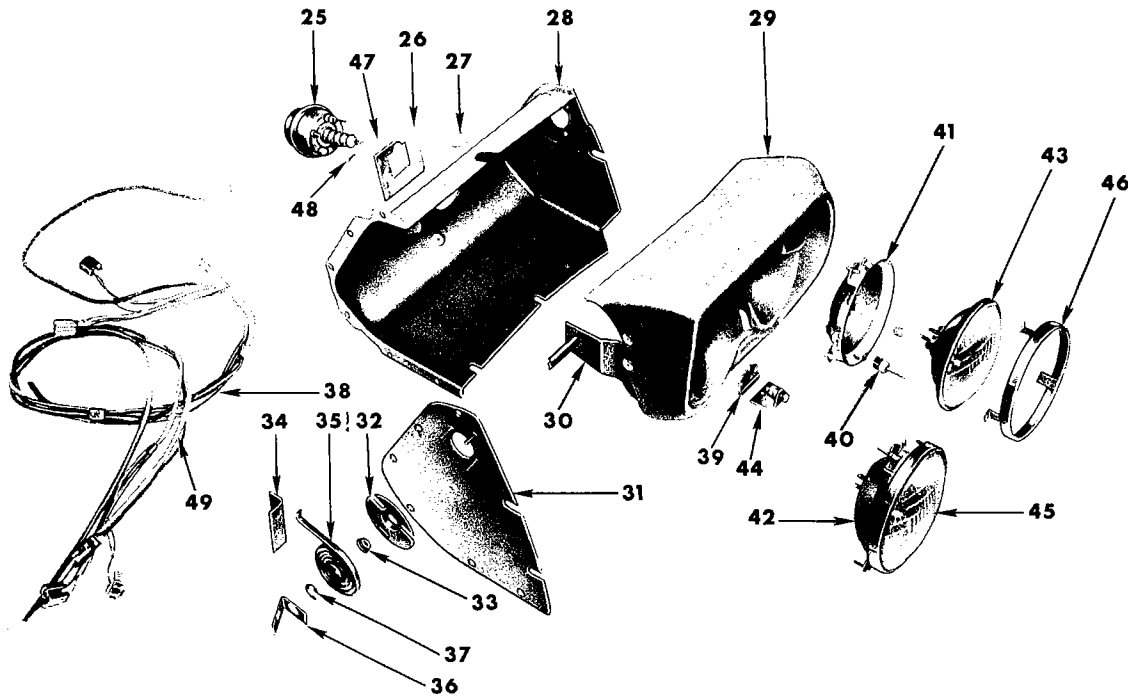
HEADLAMP - CORONET



**PARTS INDICATED
BY NAME ONLY - ORDER
BY DESCRIPTION**

19a2177A

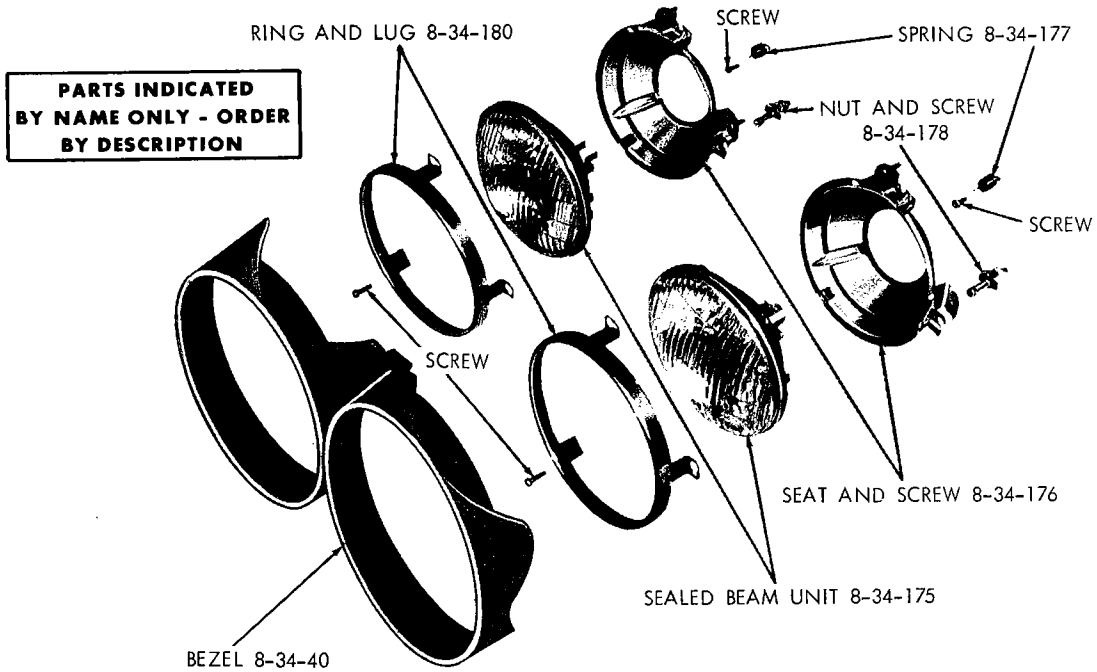
HEADLAMP - CHARGER AND CHARGER R/T



19a3080

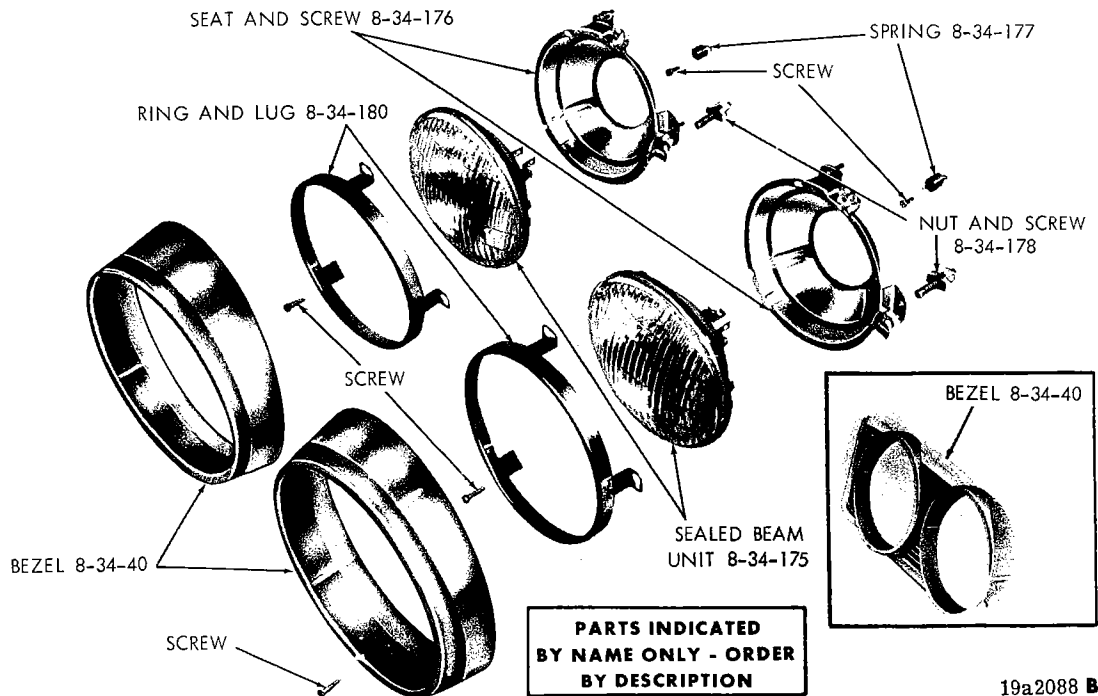
HEADLAMP - DAYTONA CHARGER

REF. NO.	PART NUMBER	DESCRIPTION
25	2926 961	ACTUATOR
26	3412 636	PLATE
27	144 229	GROMMET
28	3412 682-3	COMPARTMENT
29	3412 620-1	HEADLAMP HOUSING
30	3412 618	BRACKET
31	3412 666-7	PLATE
32	3412 631	CAP
33	6027 280	BUSHING
34	3412 694	BRACKET
35	3412 630	SPRING
36	6027 292	CLIP
37	1922 183	"C" CLIP
38	3412 674	WIRING
39	3412 690	STOP ASSEMBLY
40	2785 842	ADJ. SCREW AND NUT
41	2786 889	LOW BEAM
42	2786 887	HIGH BEAM
43	152 286	SEAL BEAM LOW
44	3412 672	STOP ASSEMBLY
45	152 285	SEAL BEAM HIGH
46	2449 525	"J" RING
47	2857 976	SHAFT, Clip
48	9416 049	SCREW
49	3412 675	VAC. HOSE 22" Black
49	3412 676	VAC. HOSE 22" Yellow
49	3412 677	VAC. HOSE EXTN. 16" Black
49	3412 678	VAC. HOSE EXTN. 16" Yellow



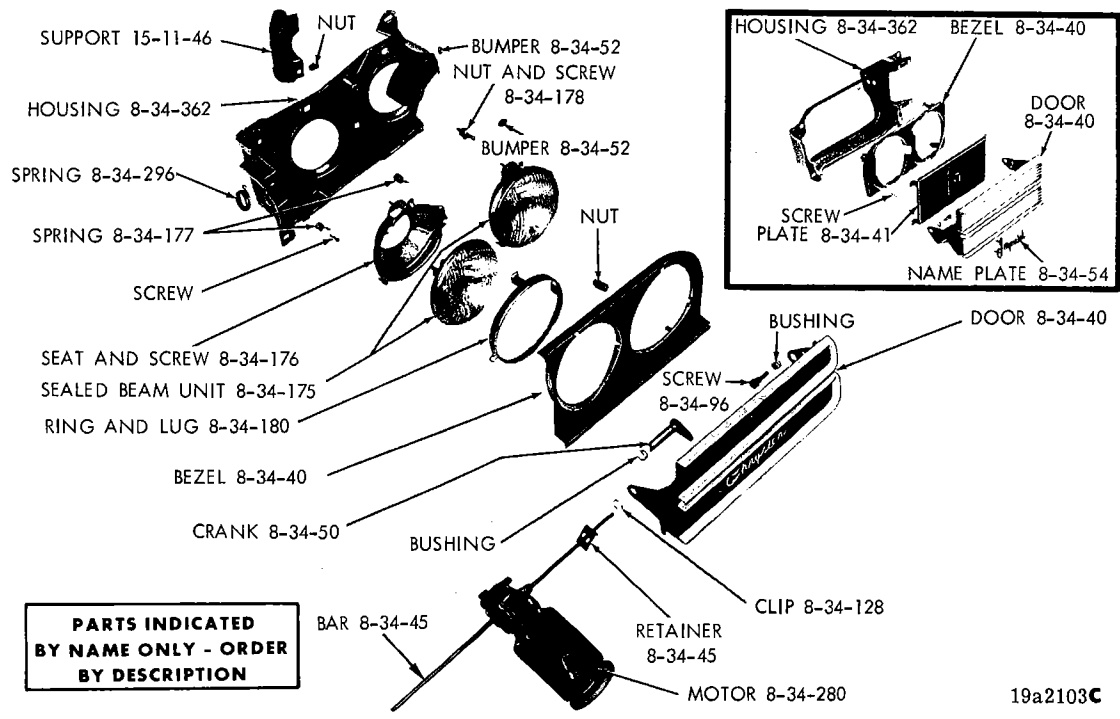
19a2087 A

HEADLAMP - DODGE (EXCEPT CORONET)

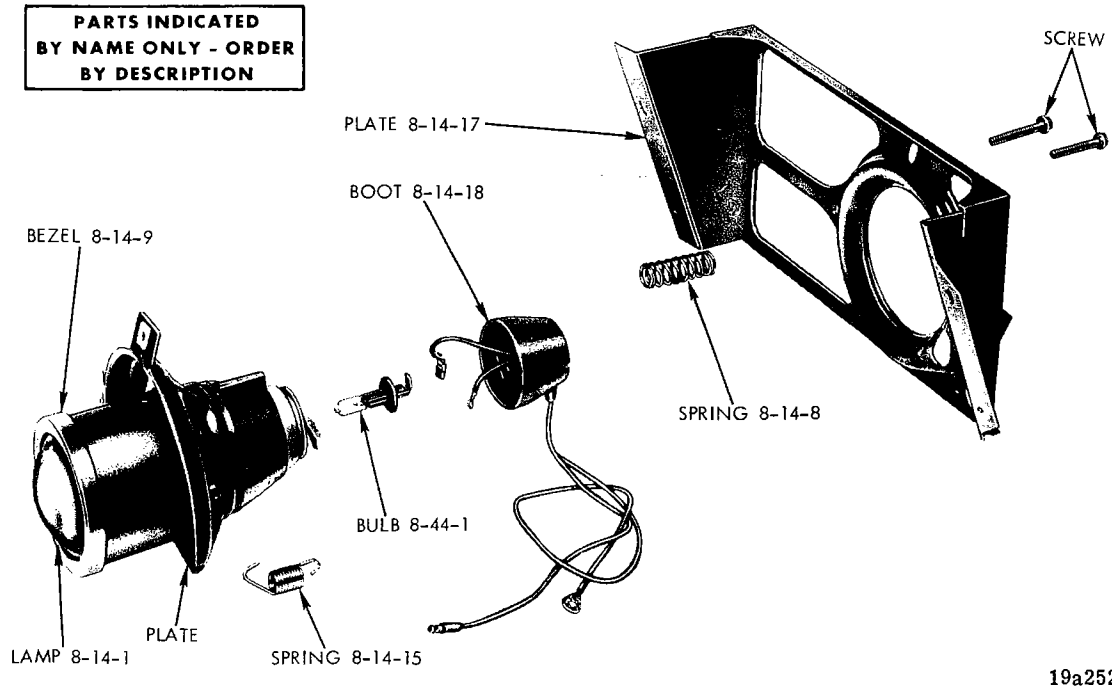


19a2088 B

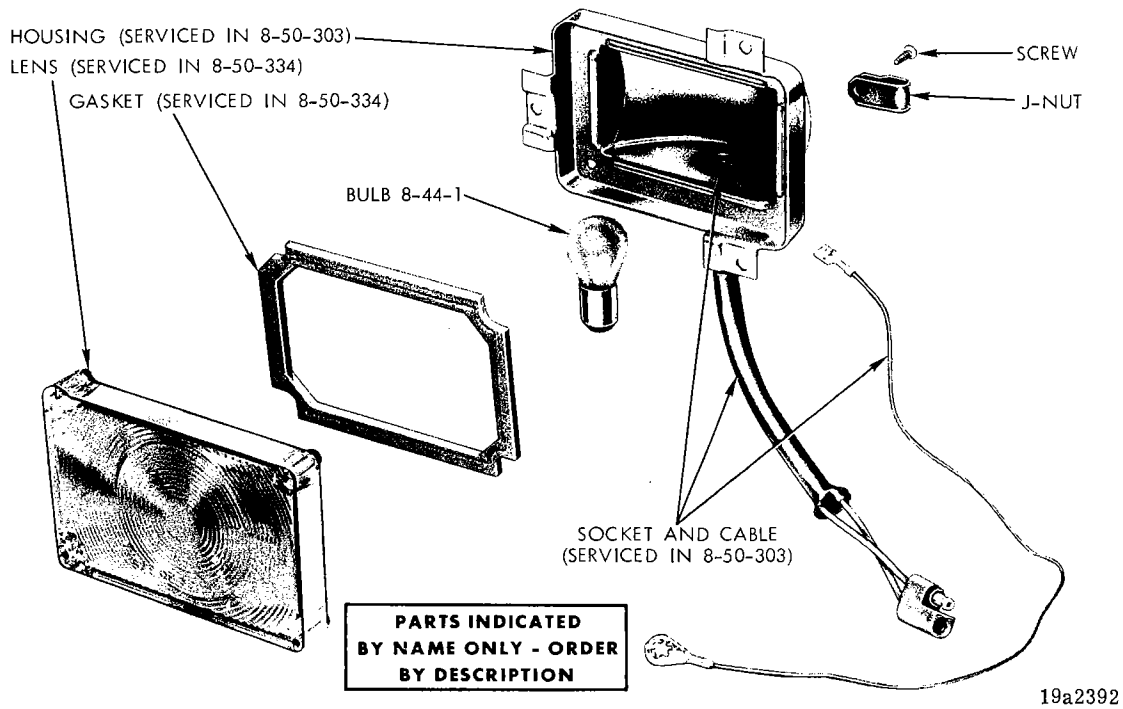
HEADLAMP - CHRYSLER NEWPORT, CUSTOM NEWPORT, NEW YORKER AND CHRYSLER STATION WAGON



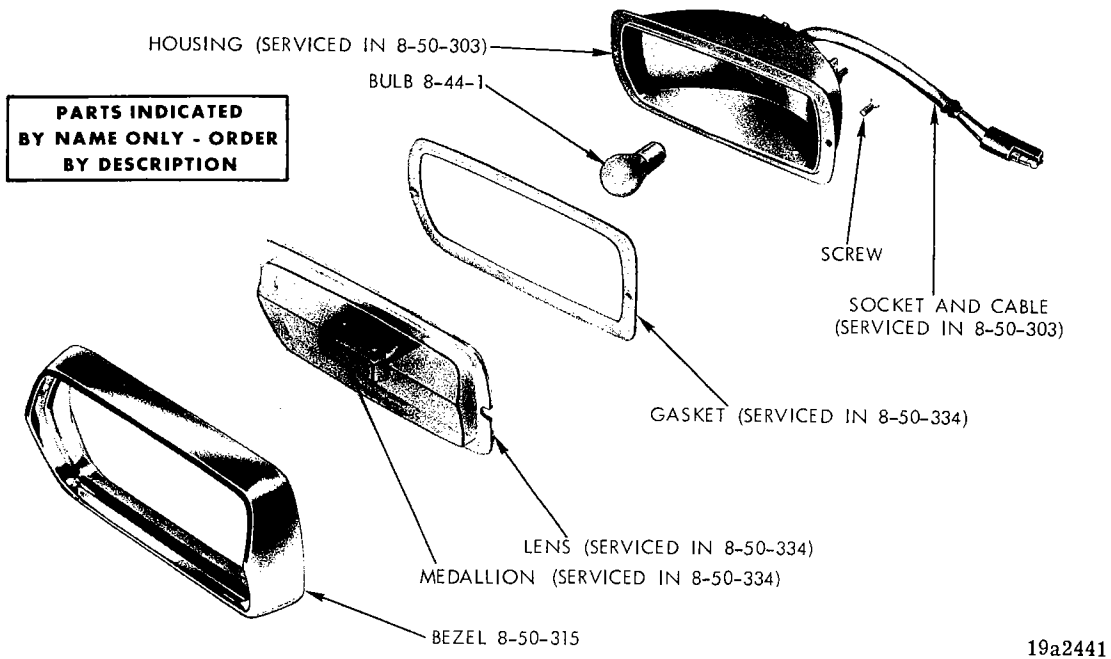
HEADLAMP - CHRYSLER 300 AND IMPERIAL



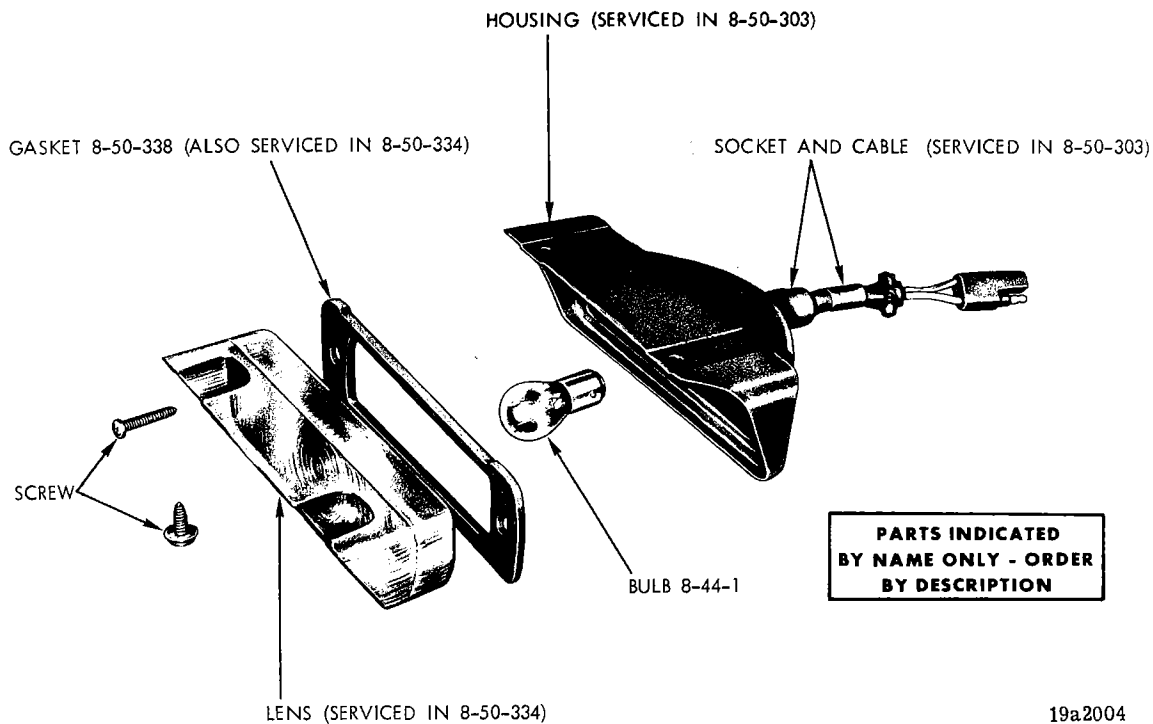
X-PRESS SUPER LIGHT - DODGE (EXCEPT CORONET, CHARGER AND CHARGER R/T)



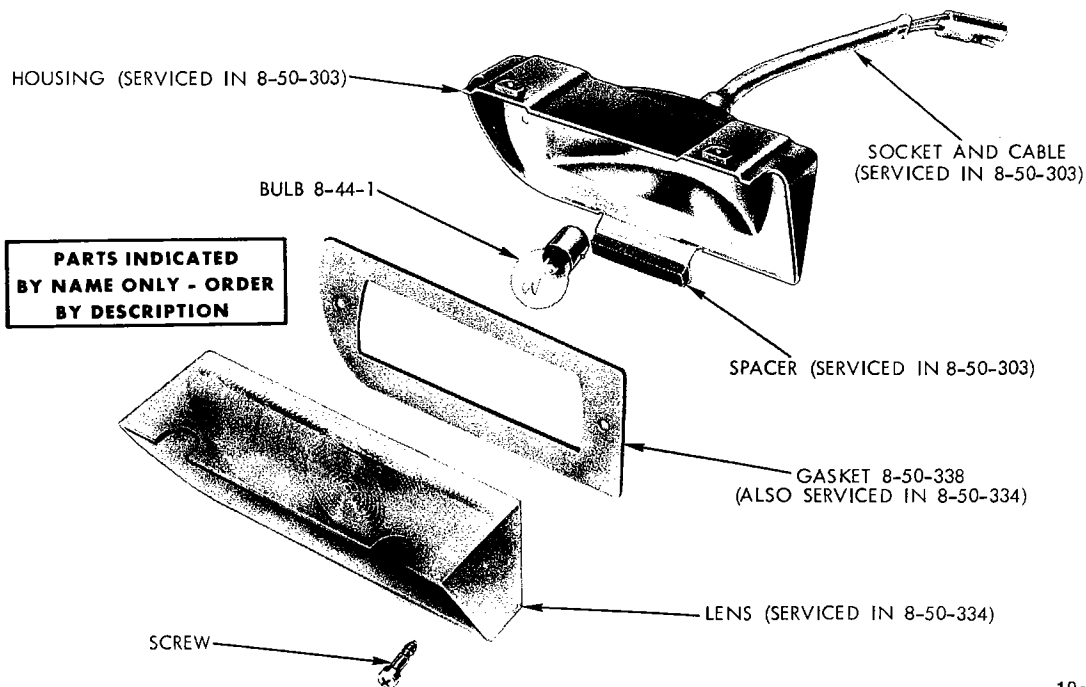
PARKING AND TURN SIGNAL LAMP - VALIANT



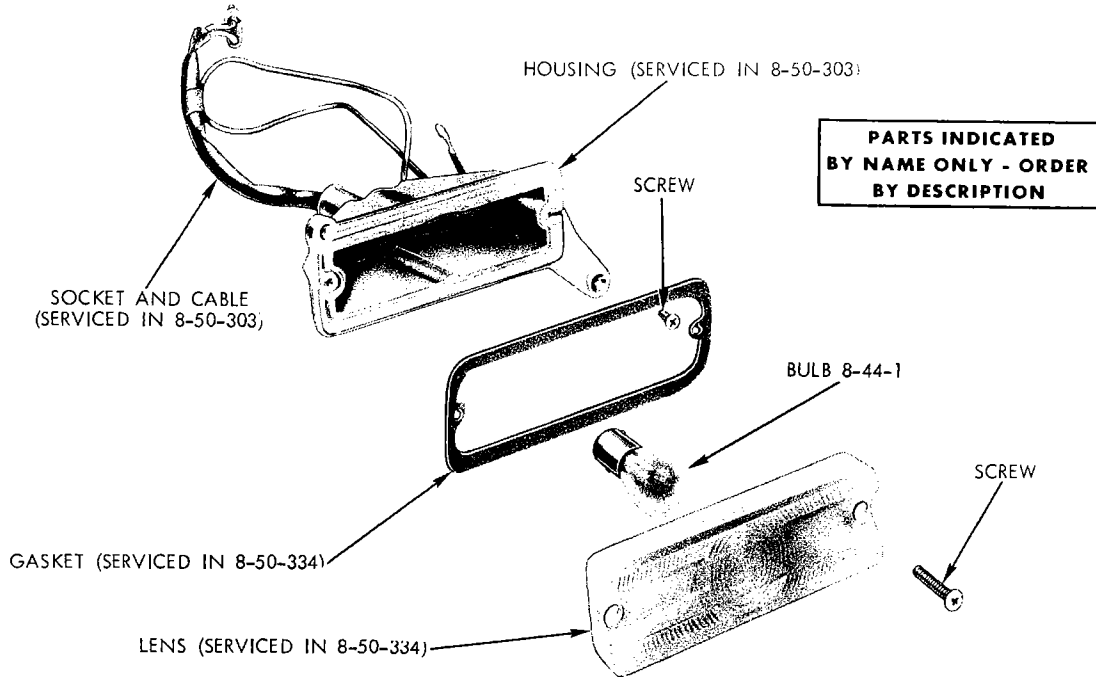
PARKING AND TURN SIGNAL LAMP - BARRACUDA



PARKING AND TURN SIGNAL LAMP - BELVEDERE

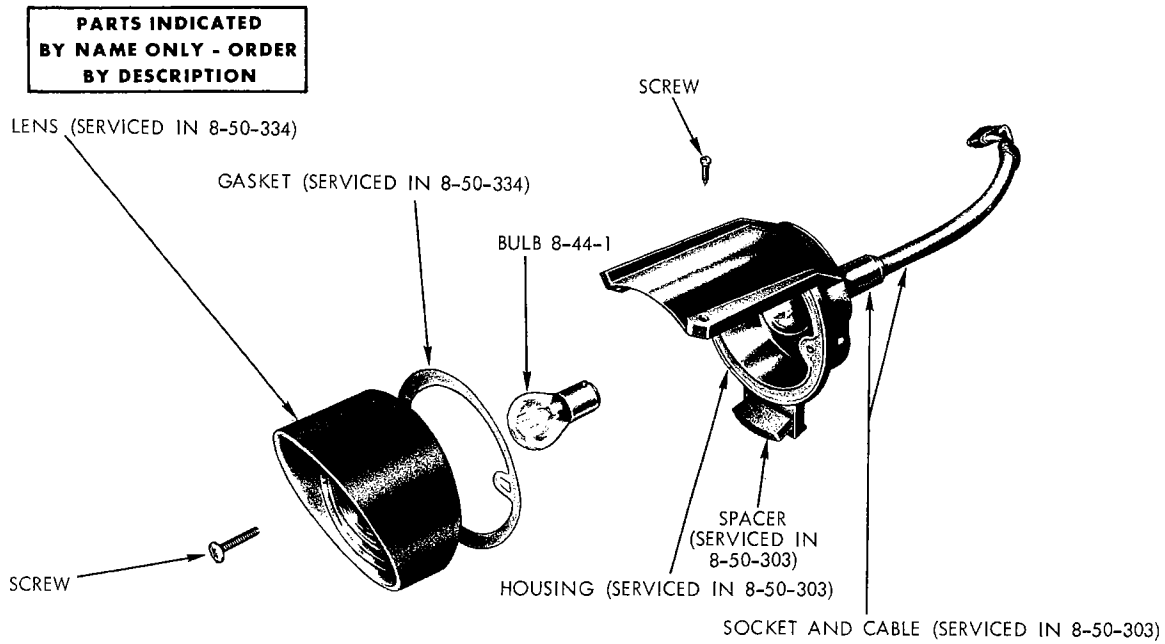


PARKING AND TURN SIGNAL LAMP - PLYMOUTH FURY



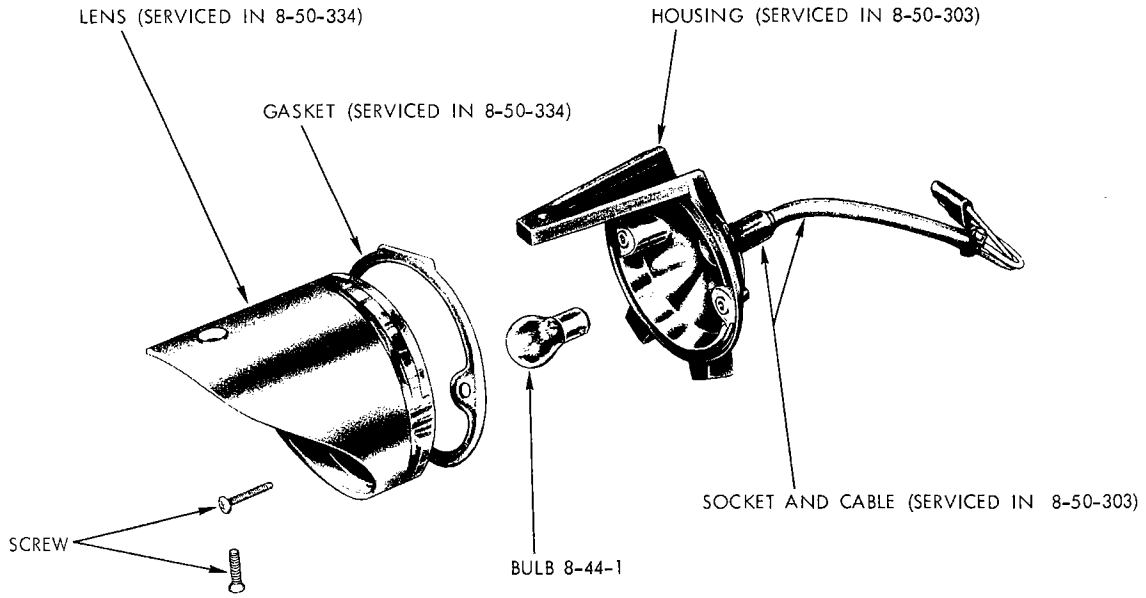
19a2381

PARKING AND TURN SIGNAL LAMP - DART



19a2015 B

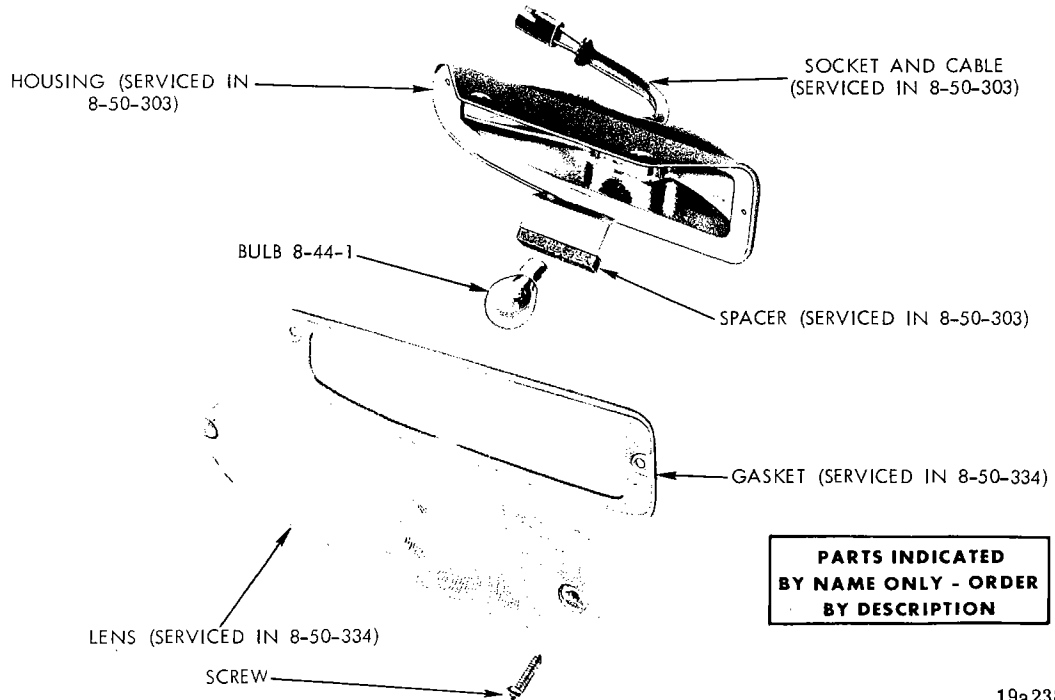
PARKING AND TURN SIGNAL LAMP - CORONET



**PARTS INDICATED
BY NAME ONLY - ORDER
BY DESCRIPTION**

19a2012

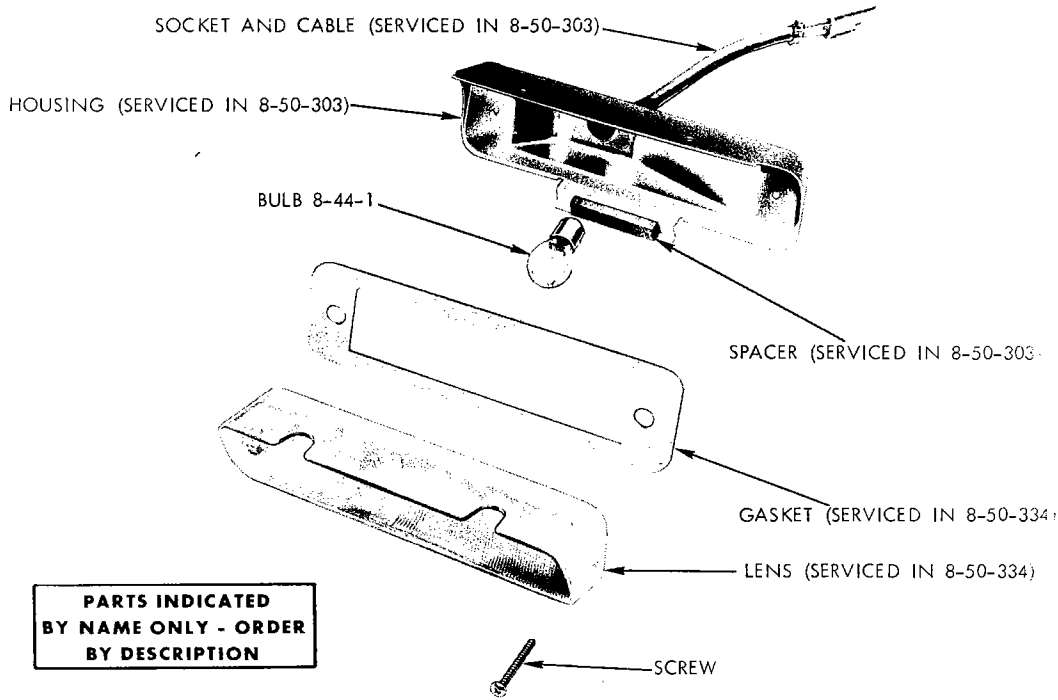
PARKING AND TURN SIGNAL LAMP - CHARGER AND CHARGER R/T



**PARTS INDICATED
BY NAME ONLY - ORDER
BY DESCRIPTION**

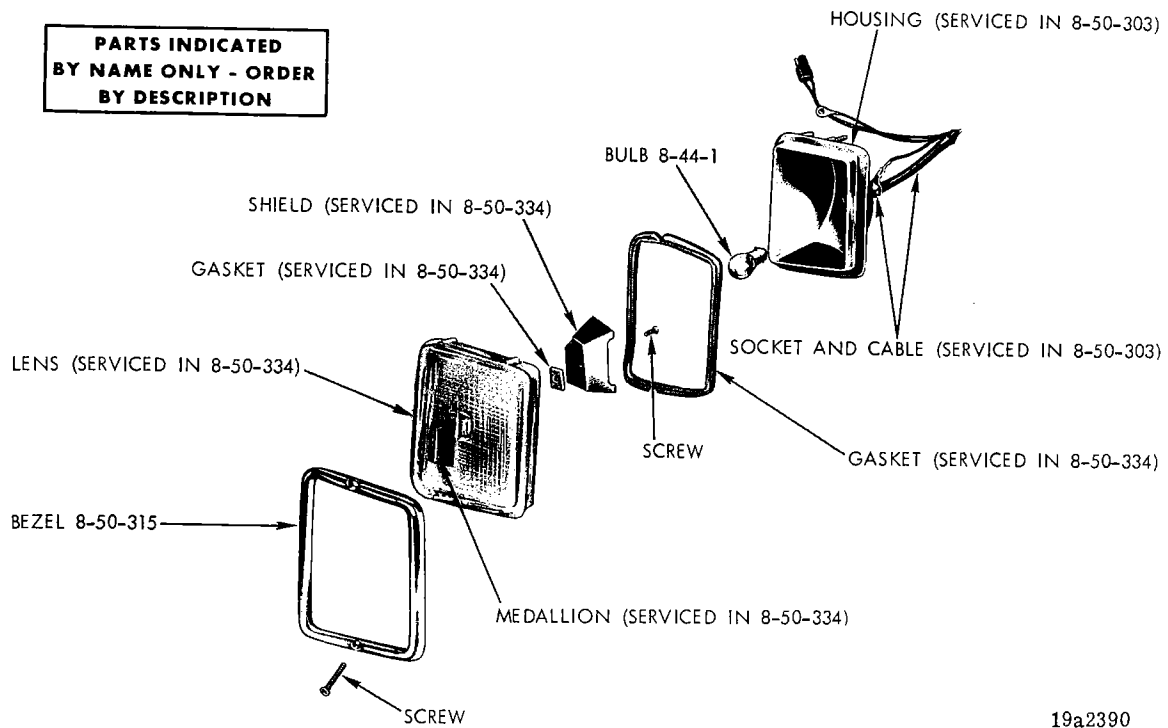
19a2386

PARKING AND TURN SIGNAL LAMP - DODGE (EXCEPT CORONET)



19a2387

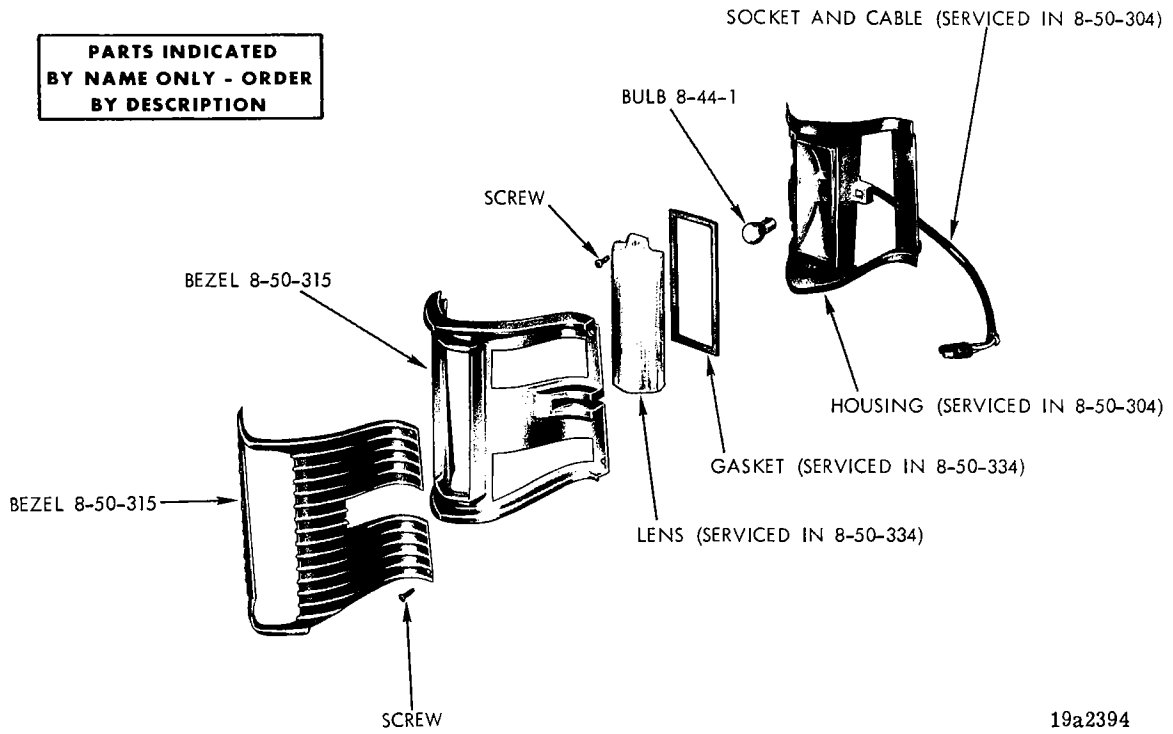
PARKING AND TURN SIGNAL LAMP - CHRYSLER (EXCEPT CHRYSLER 300)



19a2390

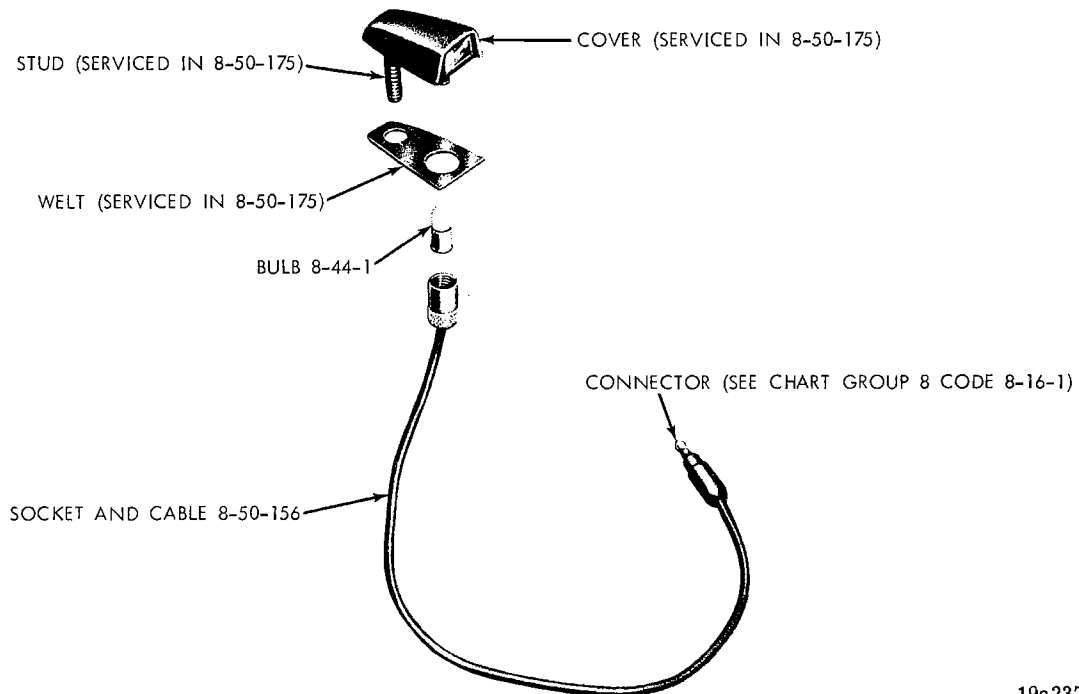
PARKING AND TURN SIGNAL LAMP - CHRYSLER 300

**PARTS INDICATED
BY NAME ONLY - ORDER
BY DESCRIPTION**



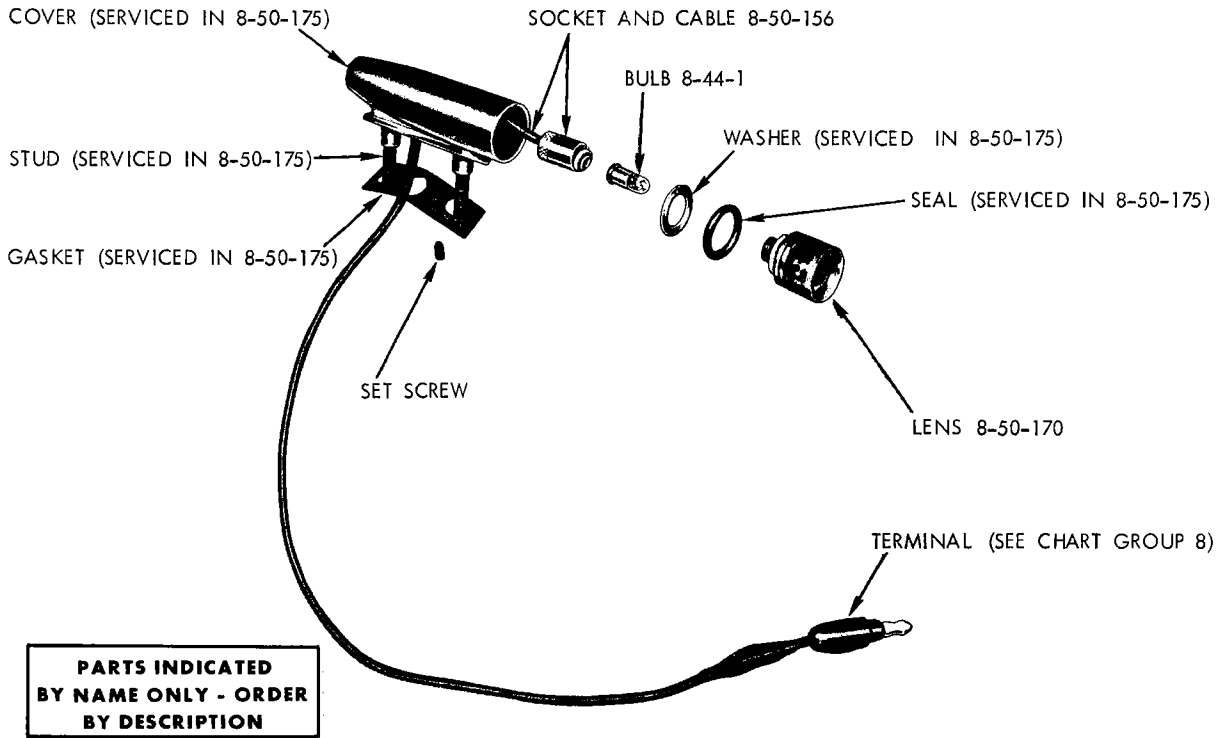
19a2394

PARKING AND TURN SIGNAL LAMP - IMPERIAL



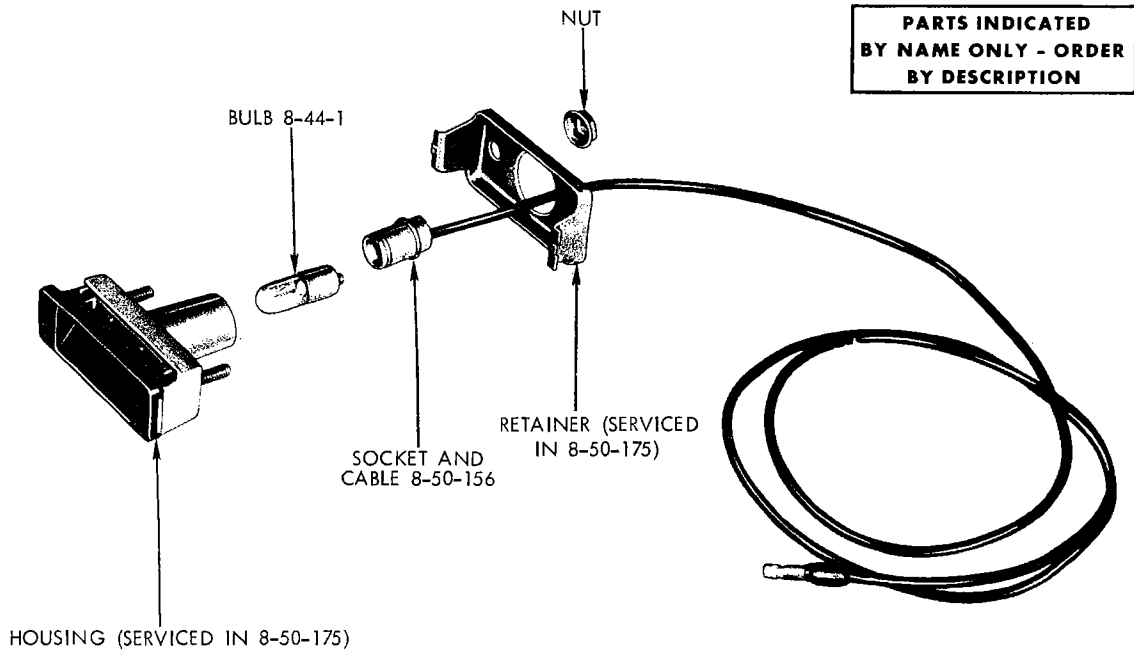
19a2374

TURN SIGNAL INDICATOR LAMP - VALIANT, BARRACUDA, BELVEDERE,
CORONET, PLYMOUTH FURY AND DODGE POLARA, MONACO



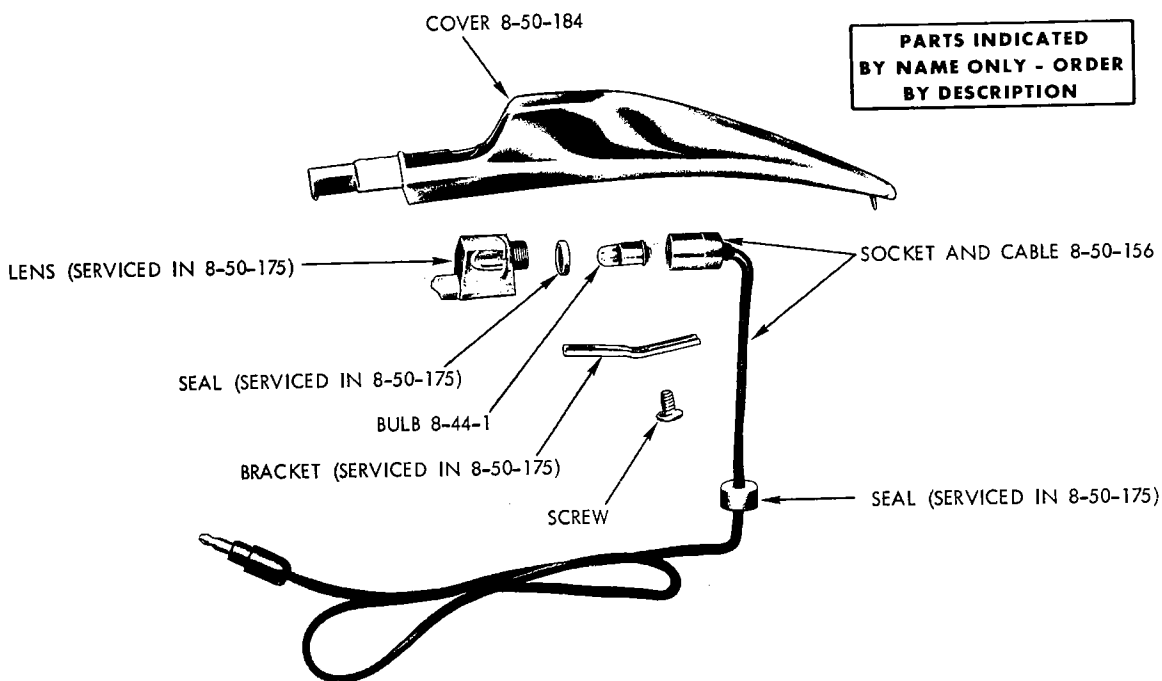
19a0774C

FRONT FENDER TURN SIGNAL INDICATOR LAMP - DART



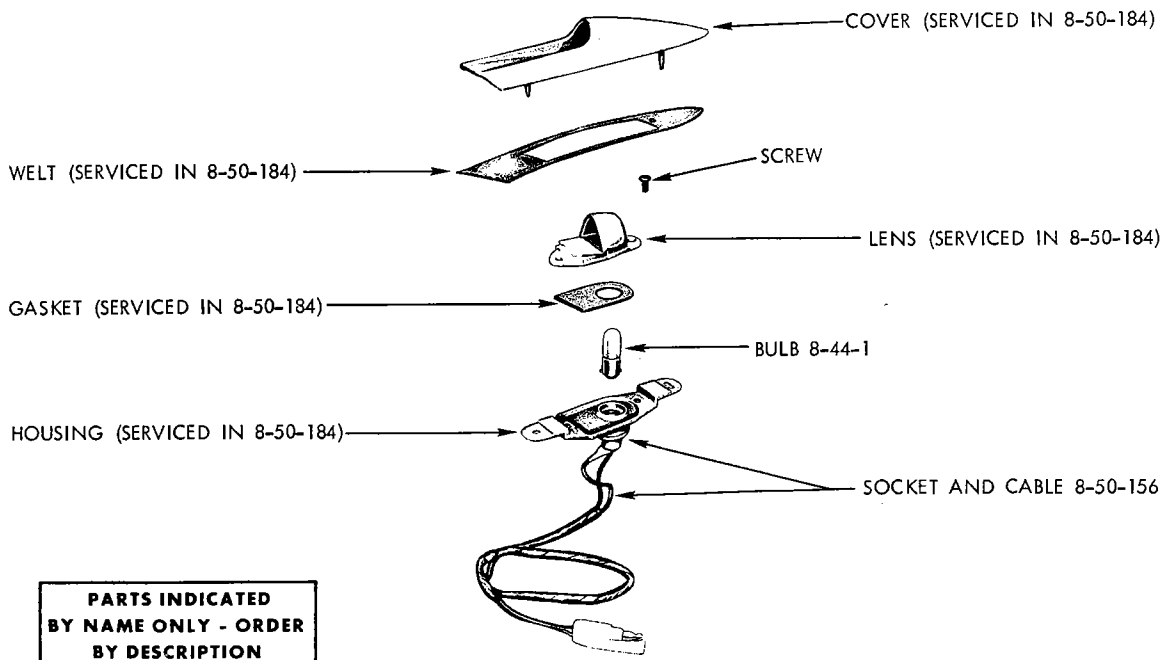
19a2016 A

HOOD PANEL TURN SIGNAL INDICATOR LAMP - CHARGER AND CHARGER R/T



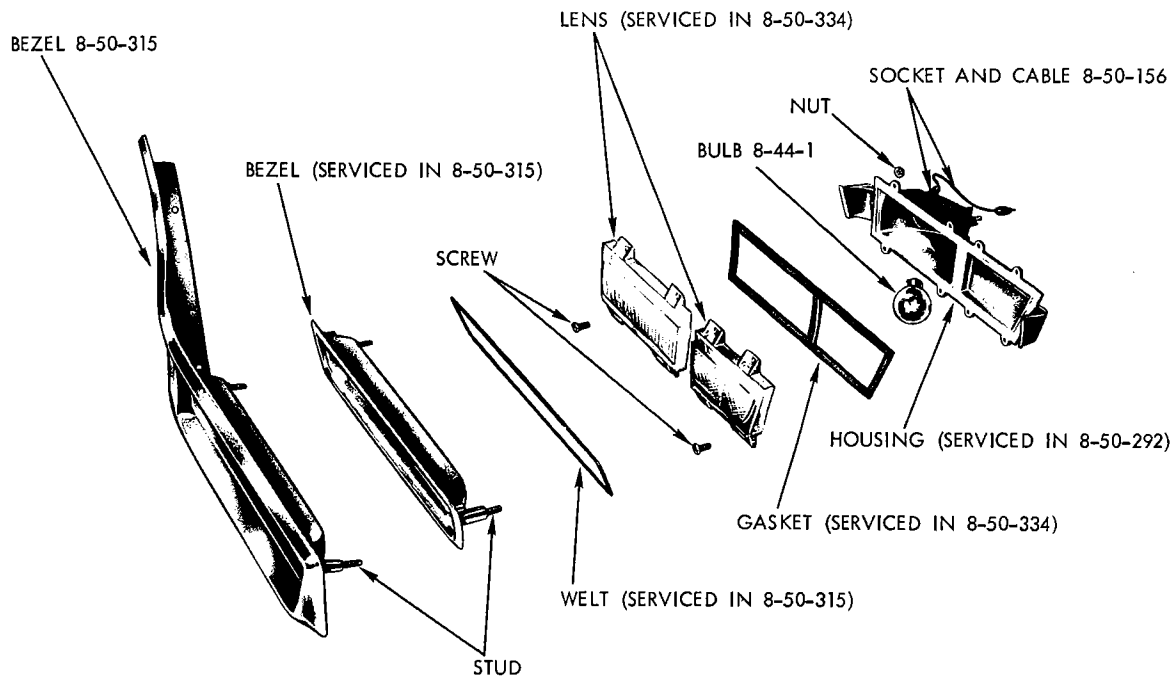
19a2444

FRONT FENDER TURN SIGNAL INDICATOR LAMP - ALL CHRYSLER (EXCEPT STATION WAGON)



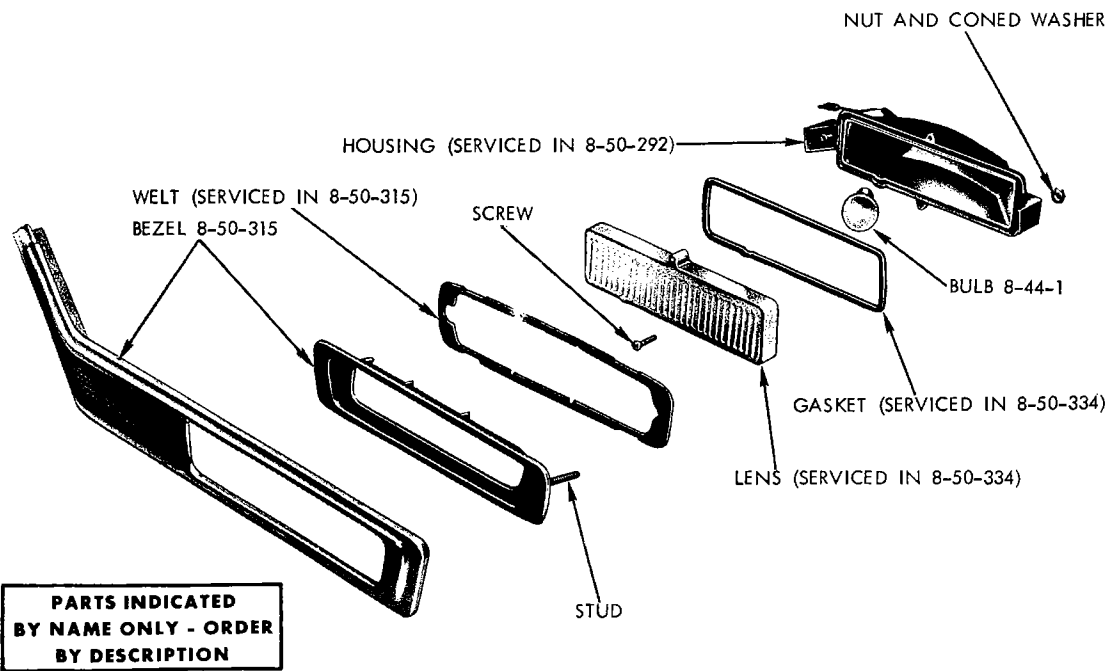
19a2455

FENDER TURN SIGNAL INDICATOR LAMP - IMPERIAL



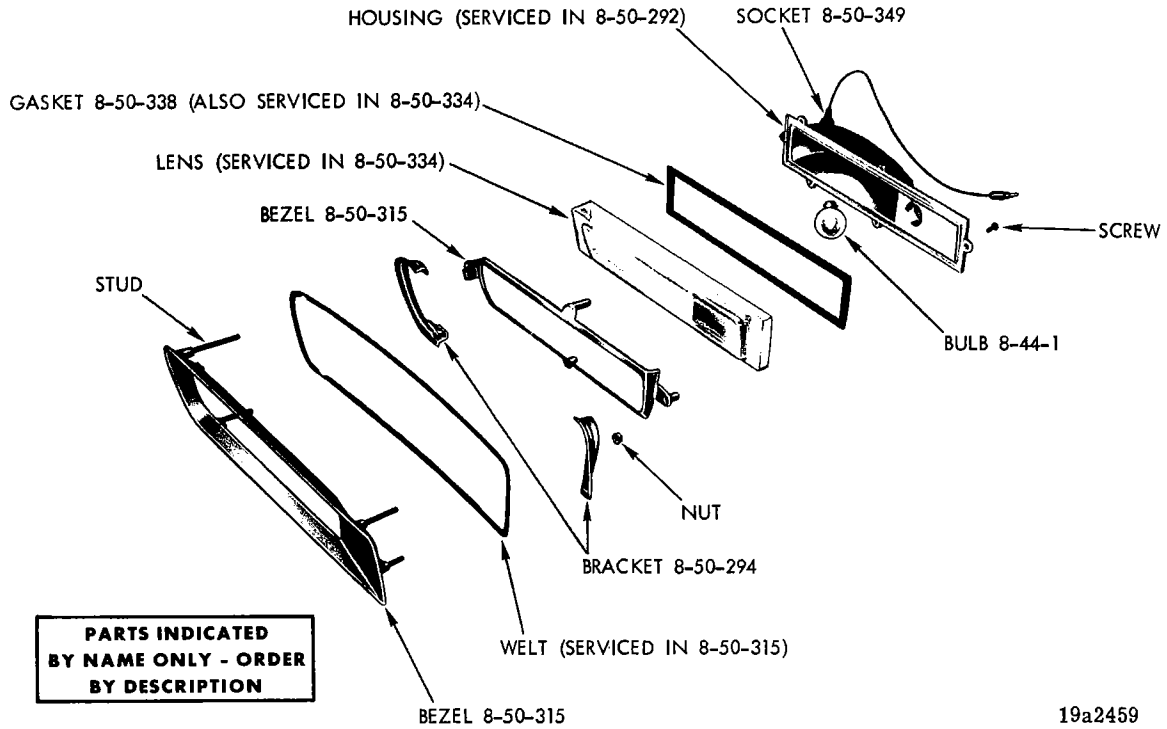
19a2552

FENDER CORNERING AND SIDE MARKER LAMP - PLYMOUTH FURY

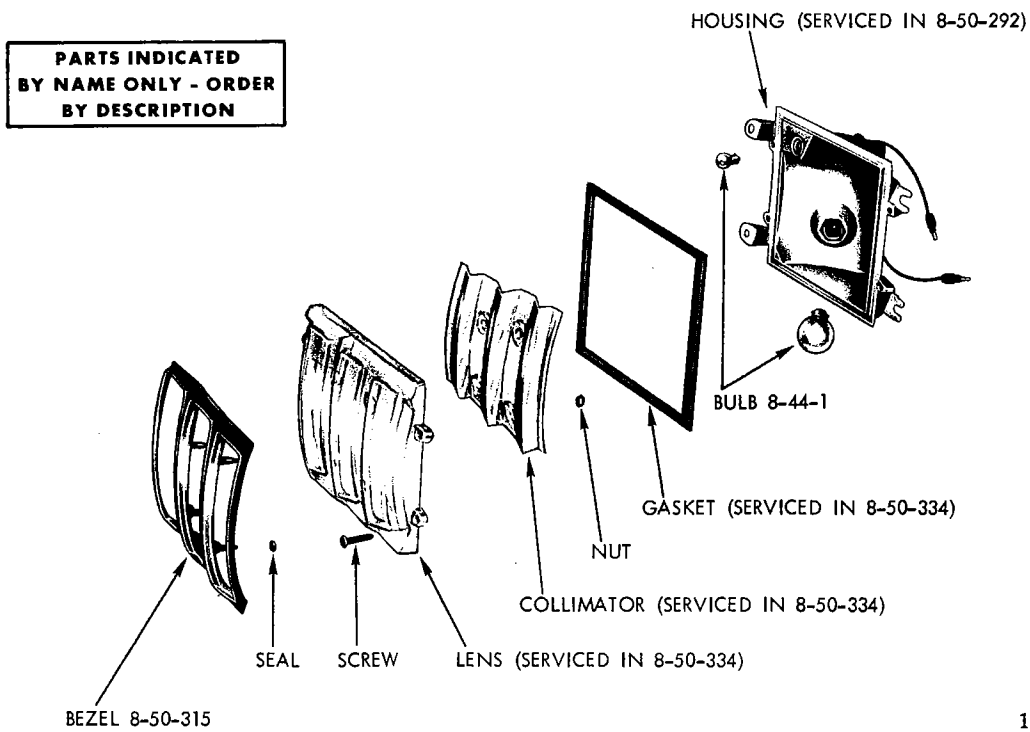


19a2435

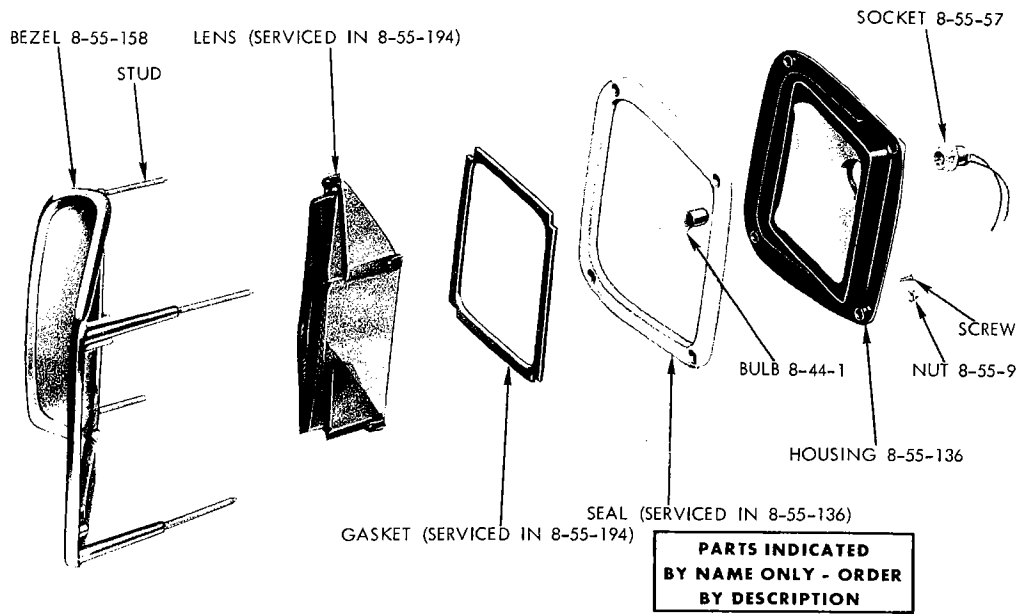
FENDER CORNERING LAMP - DODGE (EXCEPT CORONET)



FENDER CORNERING AND SIDE MARKER LAMP - CHRYSLER

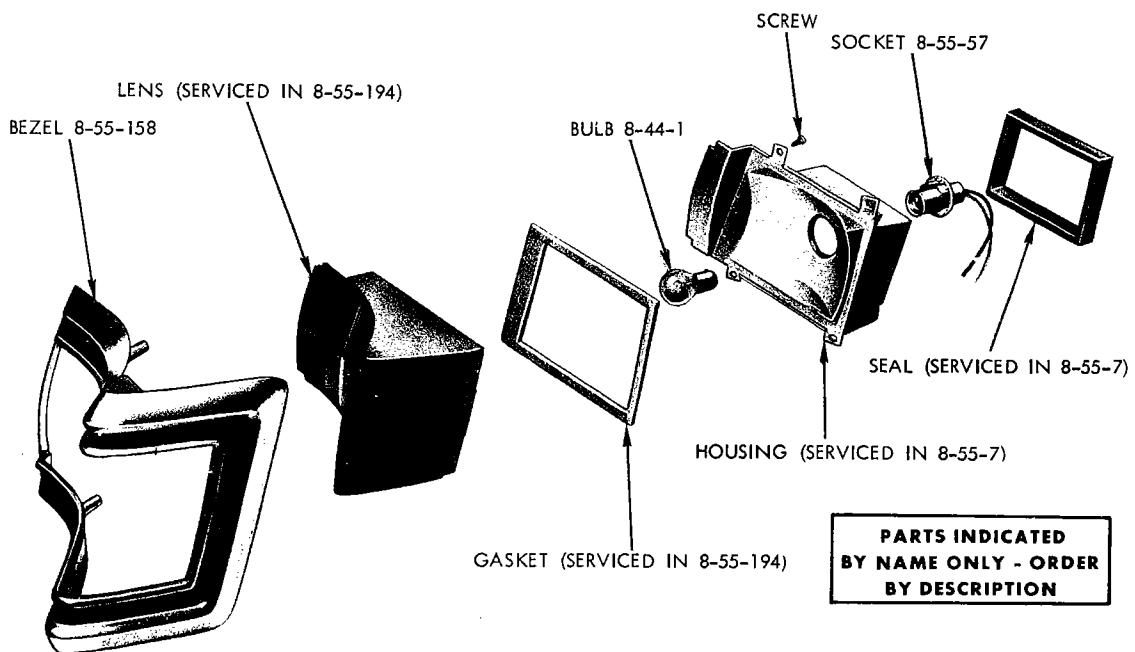


FENDER CORNERING AND SIDE MARKER LAMP - IMPERIAL



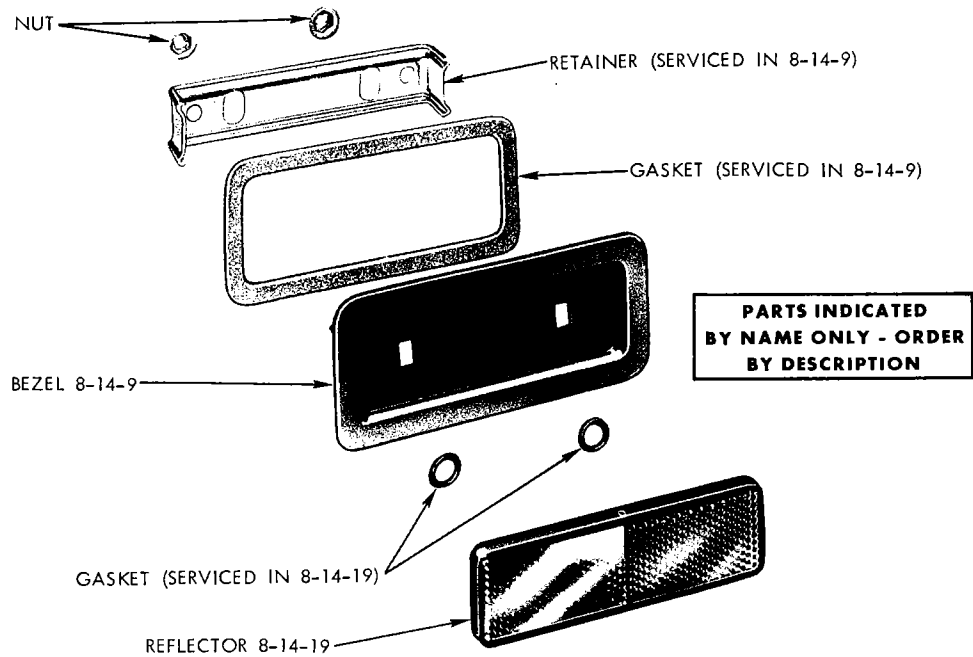
19a2438

QUARTER PANEL TAIL, STOP AND TURN SIGNAL LAMP -
BELVEDERE (EXCEPT SPORT SATELLITE AND GTX) (EXCEPT STATION WAGON)



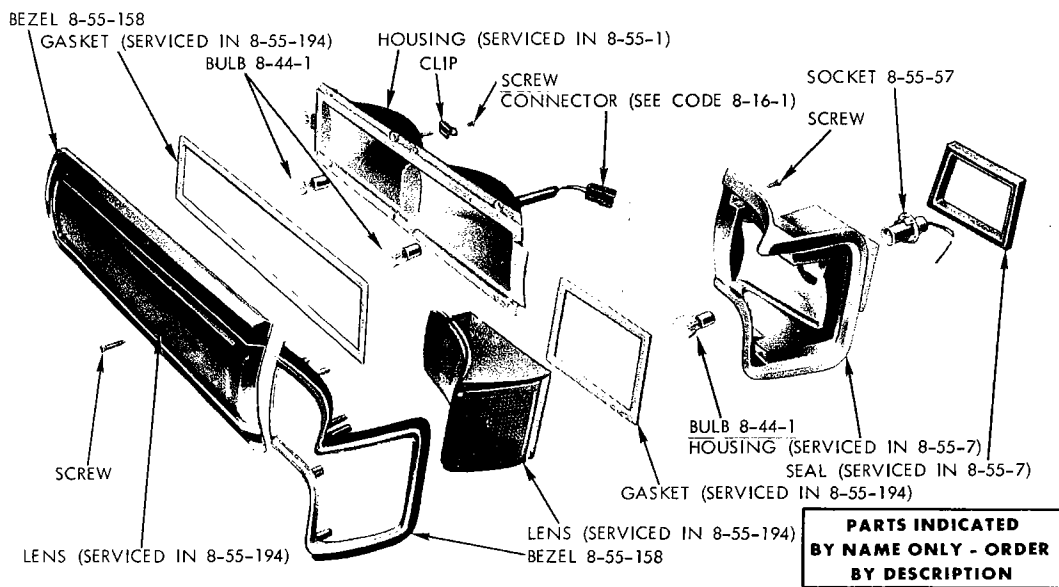
19a2456

QUARTER PANEL TAIL, STOP AND TURN SIGNAL LAMP -
PLYMOUTH FURY (STATION WAGON)



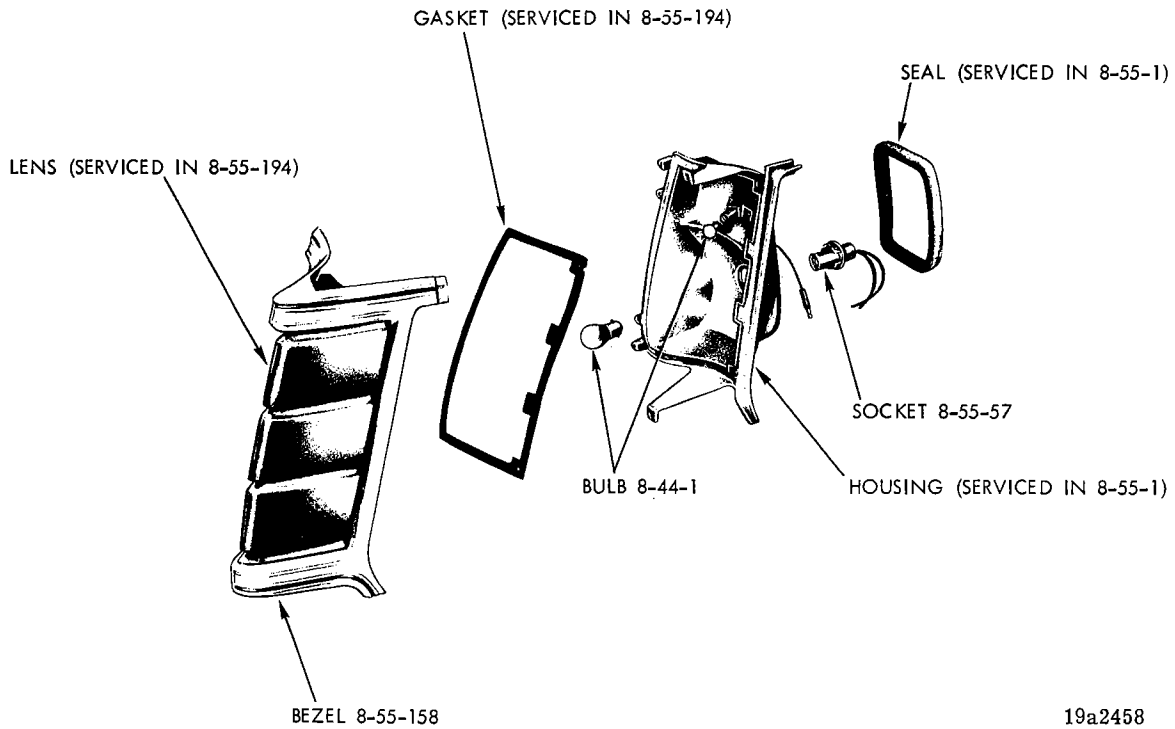
19a2540

QUARTER PANEL SIDE MARKER LAMP - EXCEPT DART (EXCEPT STATION WAGON)



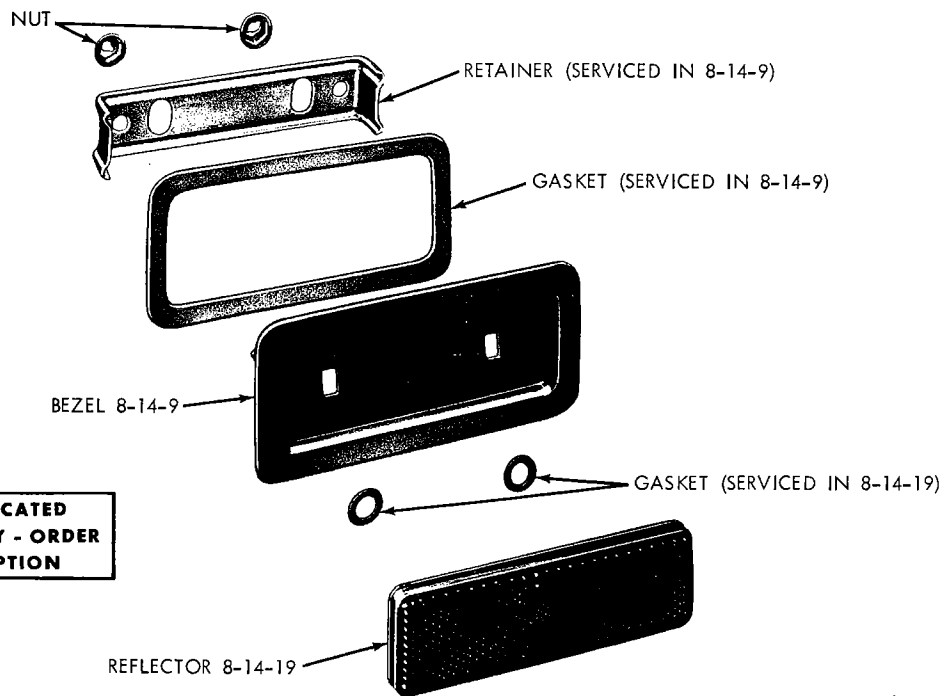
19a2454

QUARTER PANEL AND TAILGATE TAIL, STOP AND TURN SIGNAL LAMP - DODGE (STATION WAGON)



19a2458

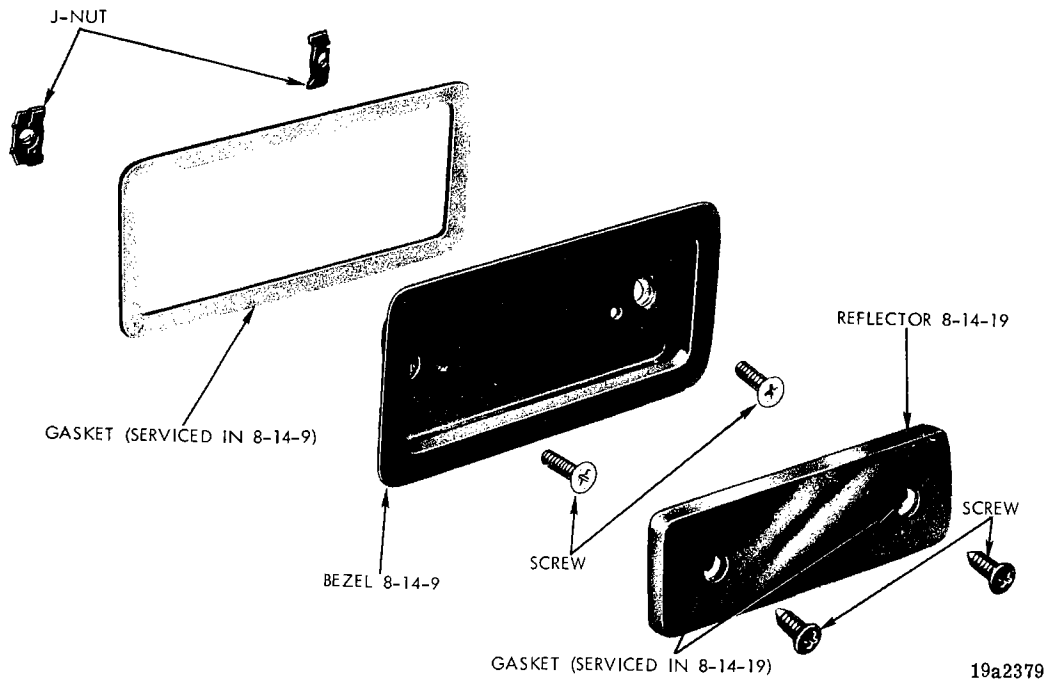
QUARTER PANEL TAIL, STOP, TURN SIGNAL AND SIDE MARKER LAMP - CHRYSLER (STATION WAGON)



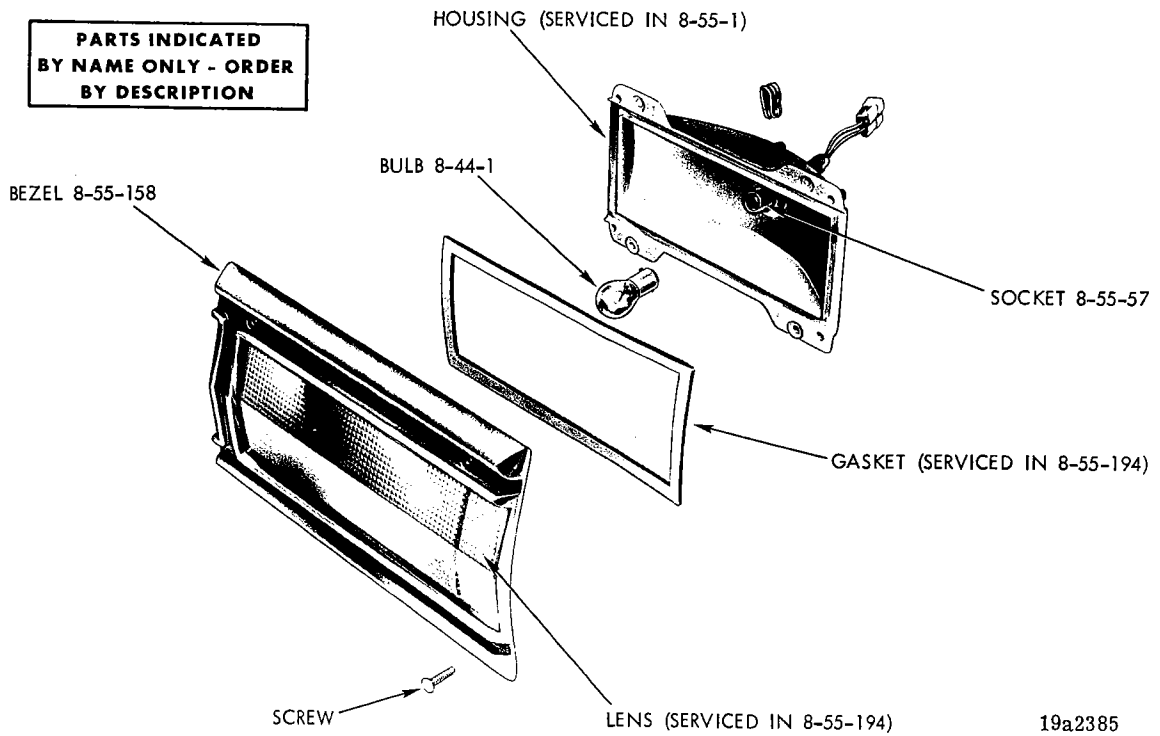
PARTS INDICATED BY NAME ONLY - ORDER BY DESCRIPTION

19a2380

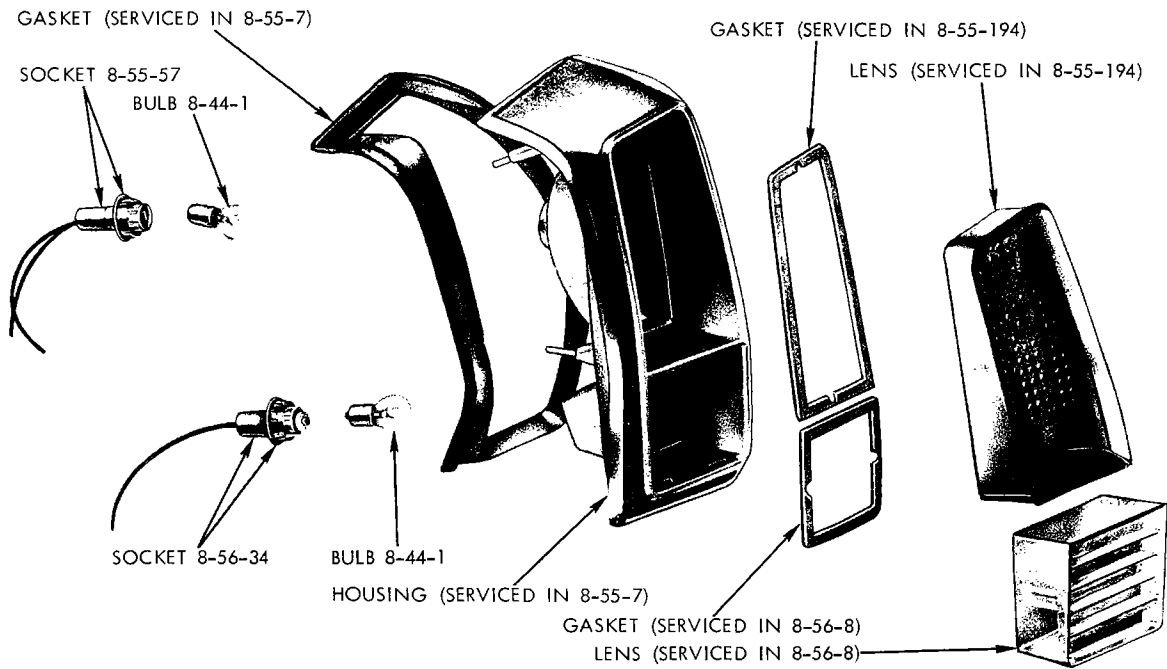
FRONT FENDER SIDE MARKER REFLECTOR - EXCEPT IMPERIAL



QUARTER PANEL SIDE MARKER REFLECTOR - DART AND ALL STATION WAGON EXCEPT CHRYSLER

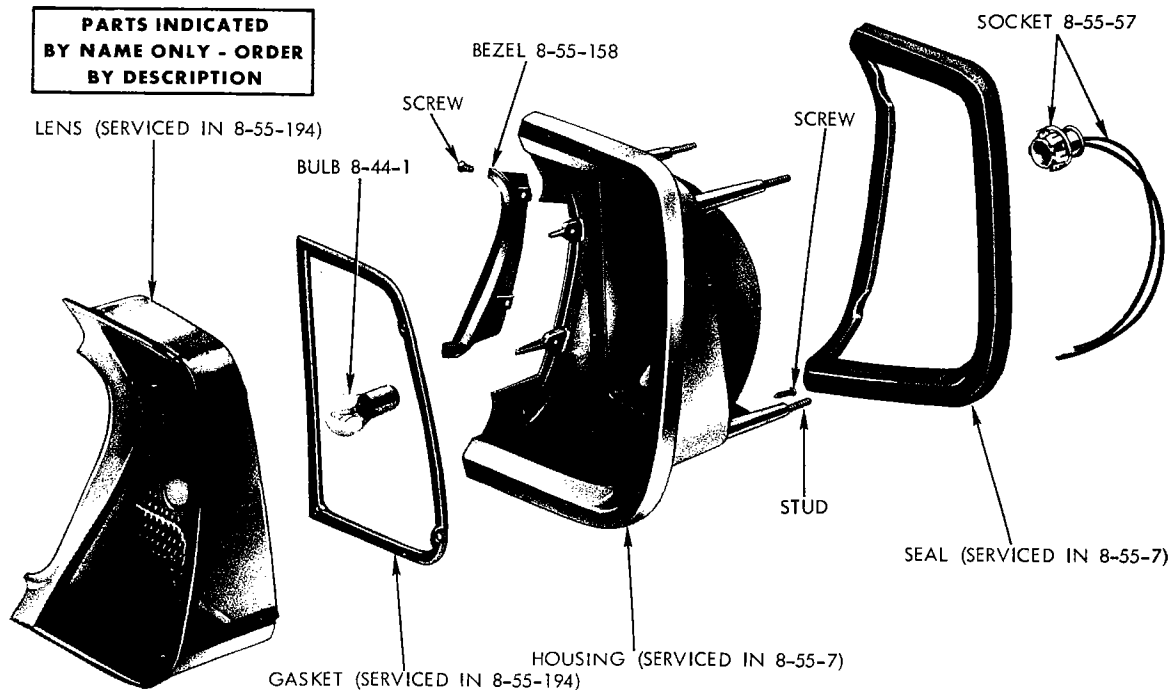


TAILGATE TAIL, STOP AND TURN SIGNAL LAMP - PLYMOUTH FURY (STATION WAGON)



19a2396

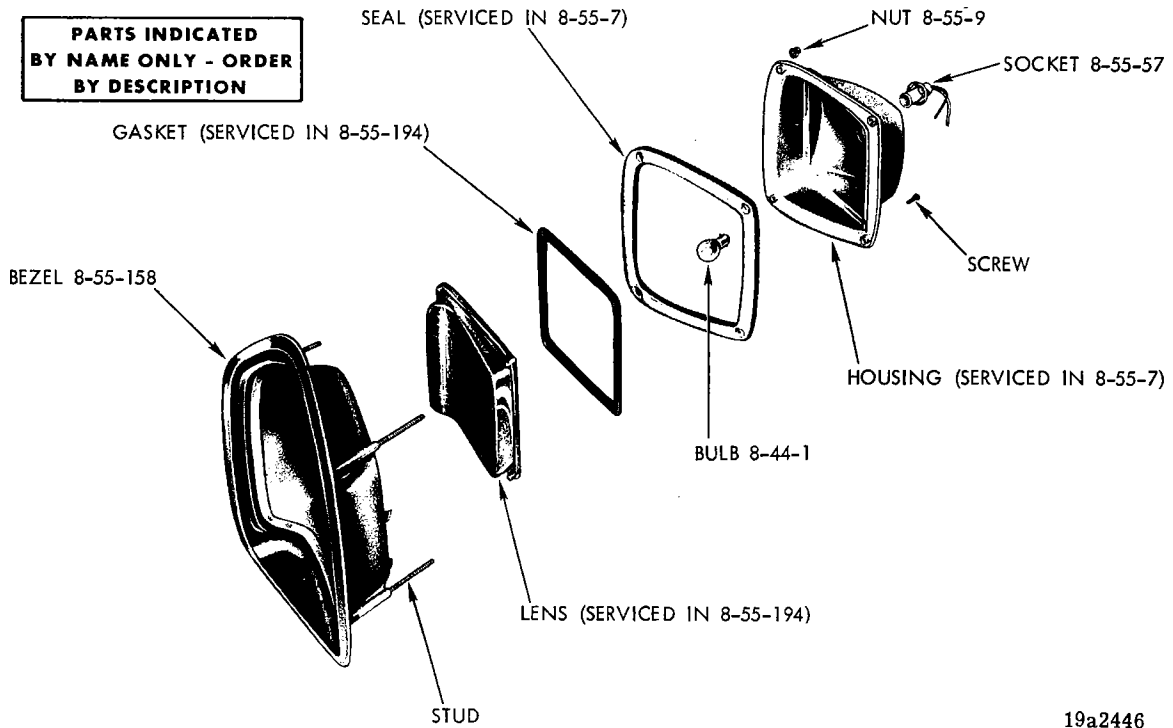
TAIL, STOP, TURN SIGNAL AND BACK-UP LAMP - VALIANT



19a2395

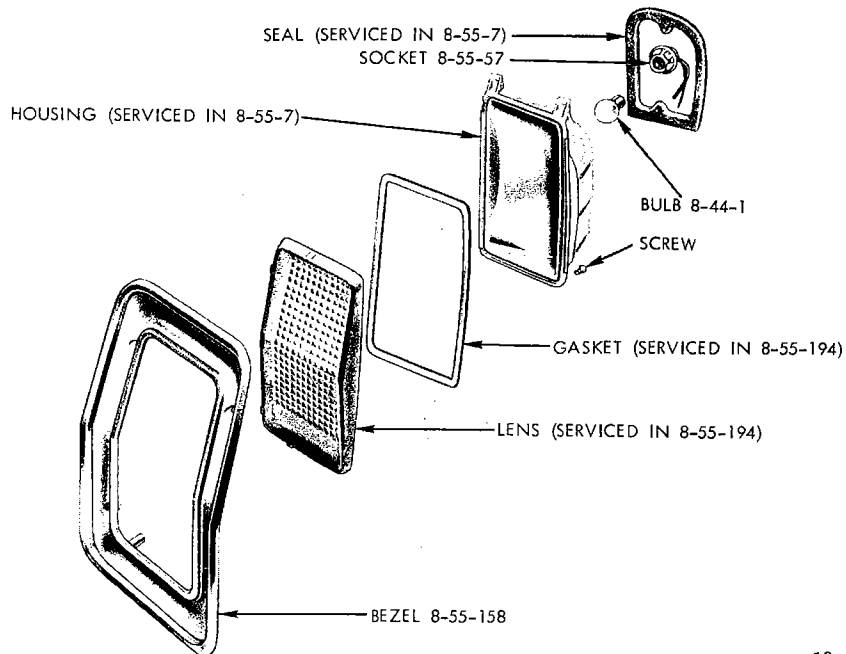
TAIL, STOP AND TURN SIGNAL LAMP - BARRACUDA

**PARTS INDICATED
BY NAME ONLY - ORDER
BY DESCRIPTION**



19a2446

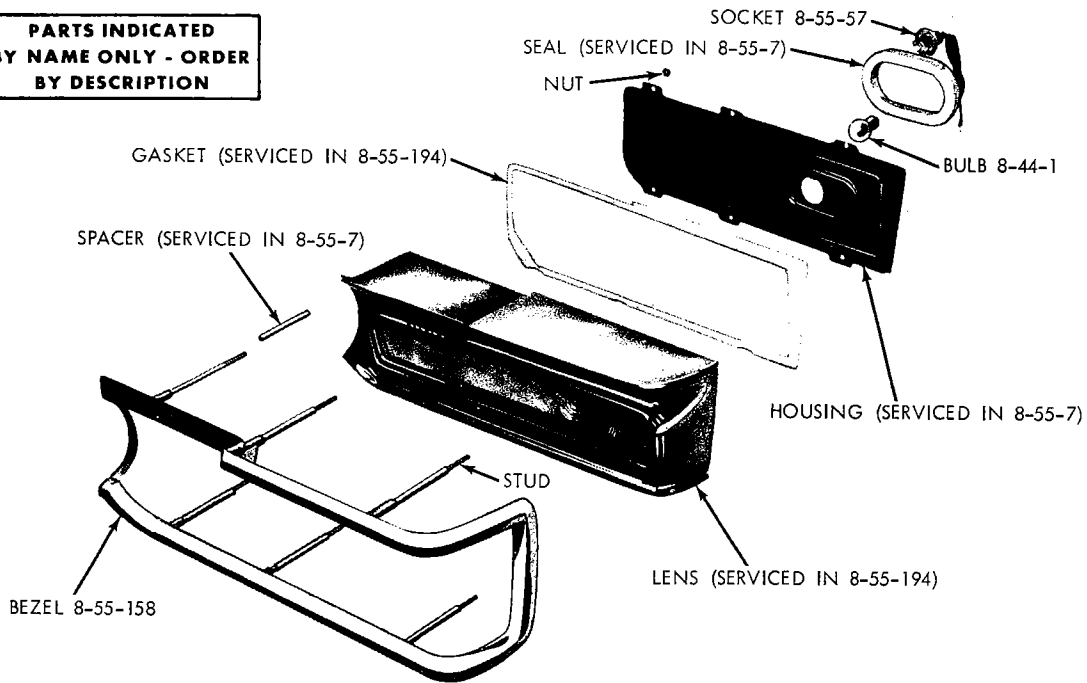
TAIL, STOP AND TURN SIGNAL LAMP -
BELVEDERE SPORT SATELLITE AND GTX (EXCEPT STATION WAGON)



19a2439

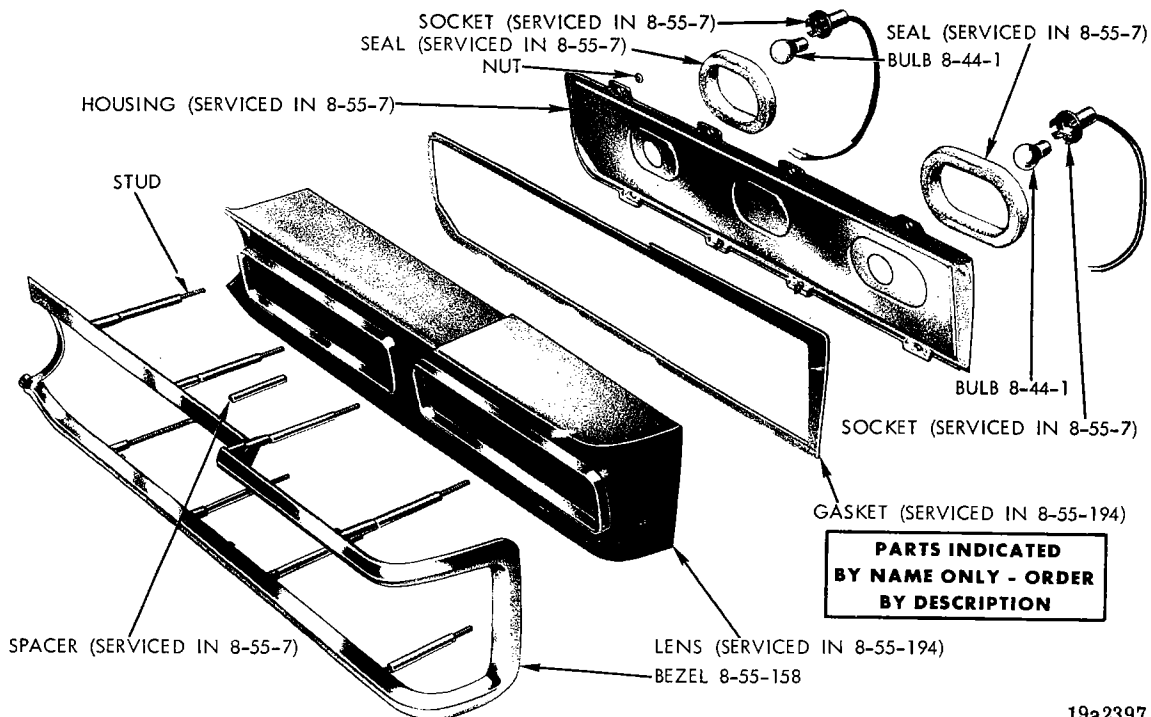
TAIL, STOP AND TURN SIGNAL LAMP -
BELVEDERE (STATION WAGON)

**PARTS INDICATED
BY NAME ONLY - ORDER
BY DESCRIPTION**



19a2393

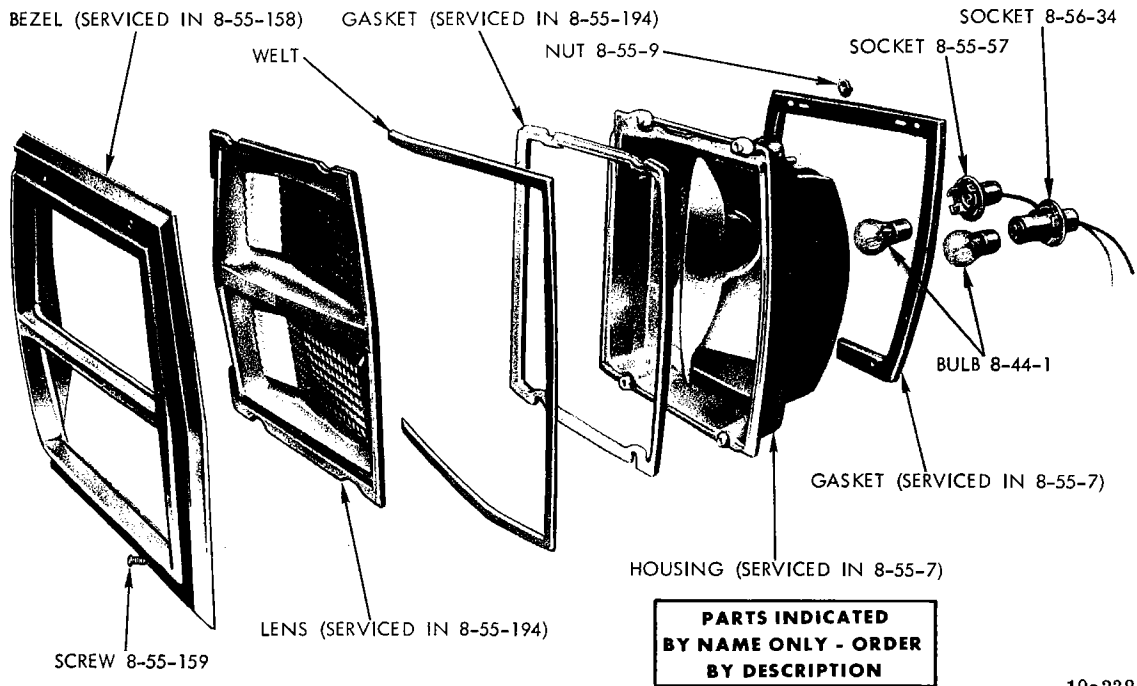
TAIL, STOP, TURN SIGNAL AND SIDE MARKER LAMP -
PLYMOUTH FURY I AND FURY II (EXCEPT STATION WAGON)



**PARTS INDICATED
BY NAME ONLY - ORDER
BY DESCRIPTION**

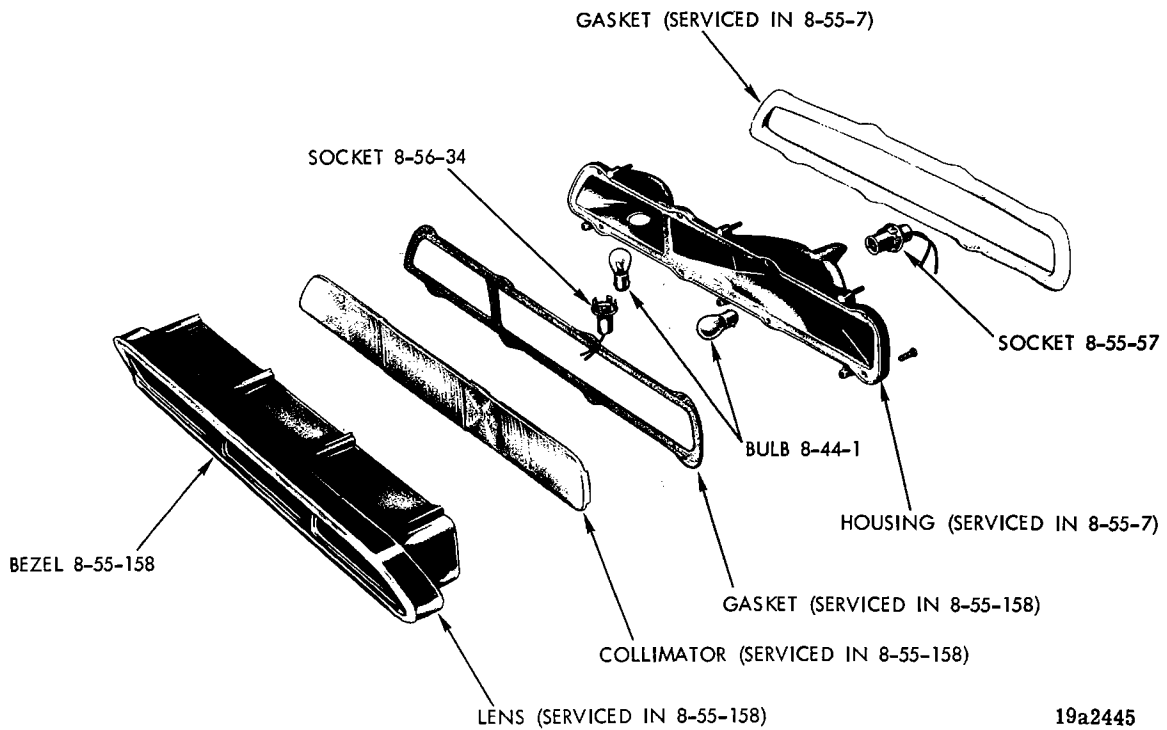
19a2397

TAIL, STOP, TURN SIGNAL AND SIDE MARKER LAMP -
PLYMOUTH FURY III, SPORT FURY AND VIP (EXCEPT STATION WAGON)



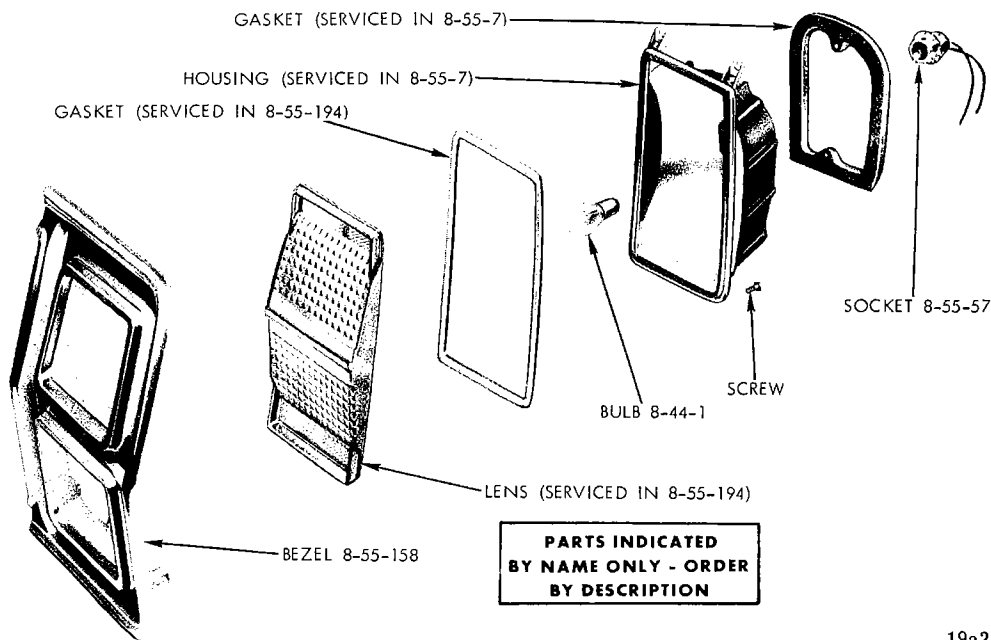
19a2382

TAIL, STOP, TURN SIGNAL AND BACK-UP LAMP - DART



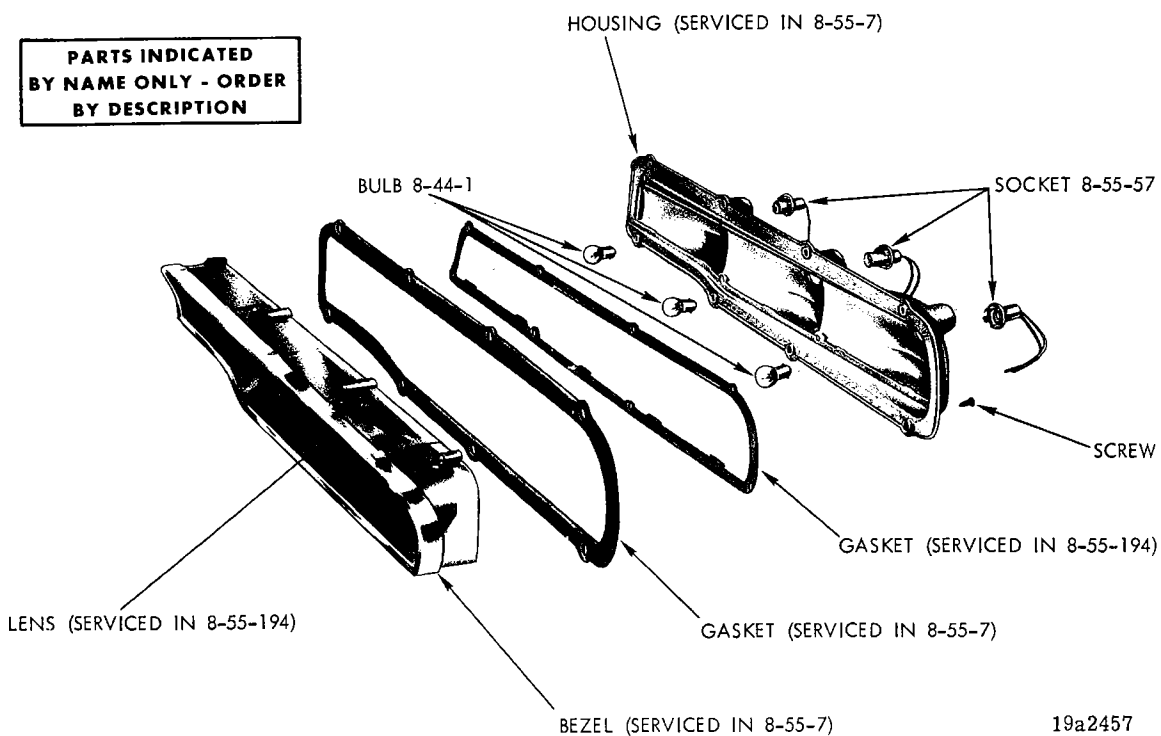
19a2445

TAIL, STOP, TURN SIGNAL AND BACK-UP LAMP - CORONET DELUXE, SUPERBEE AND .440 (EXCEPT STATION WAGON)



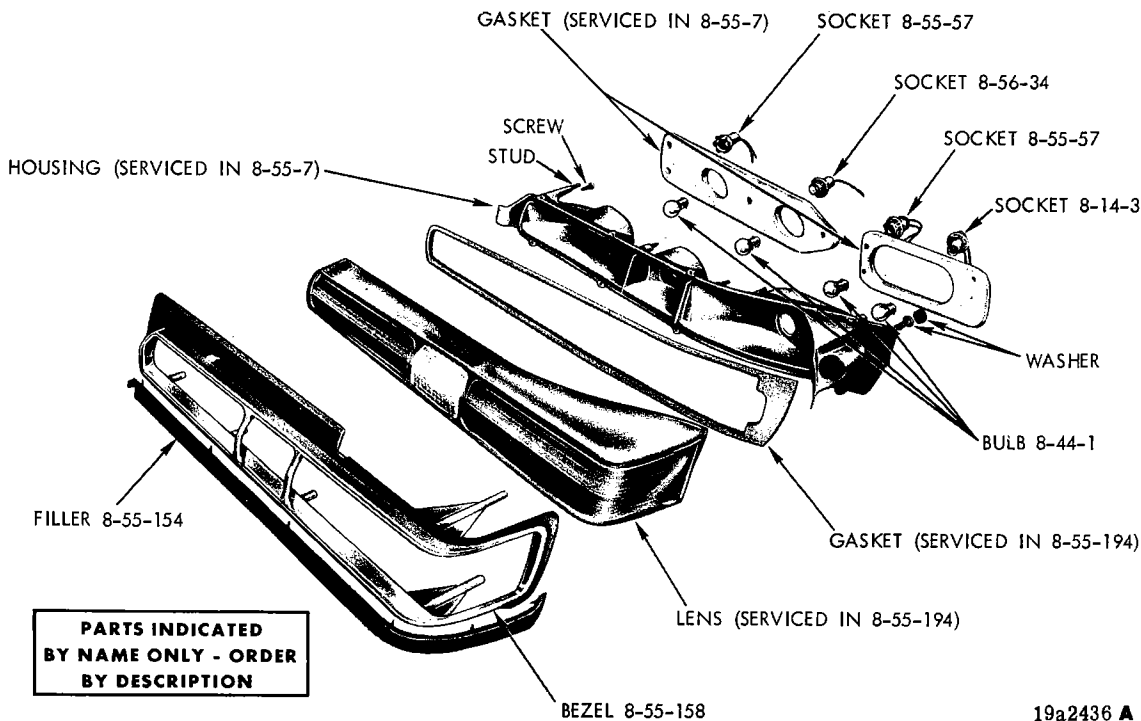
19a2440

TAIL, STOP AND TURN SIGNAL LAMP - CORONET (STATION WAGON)



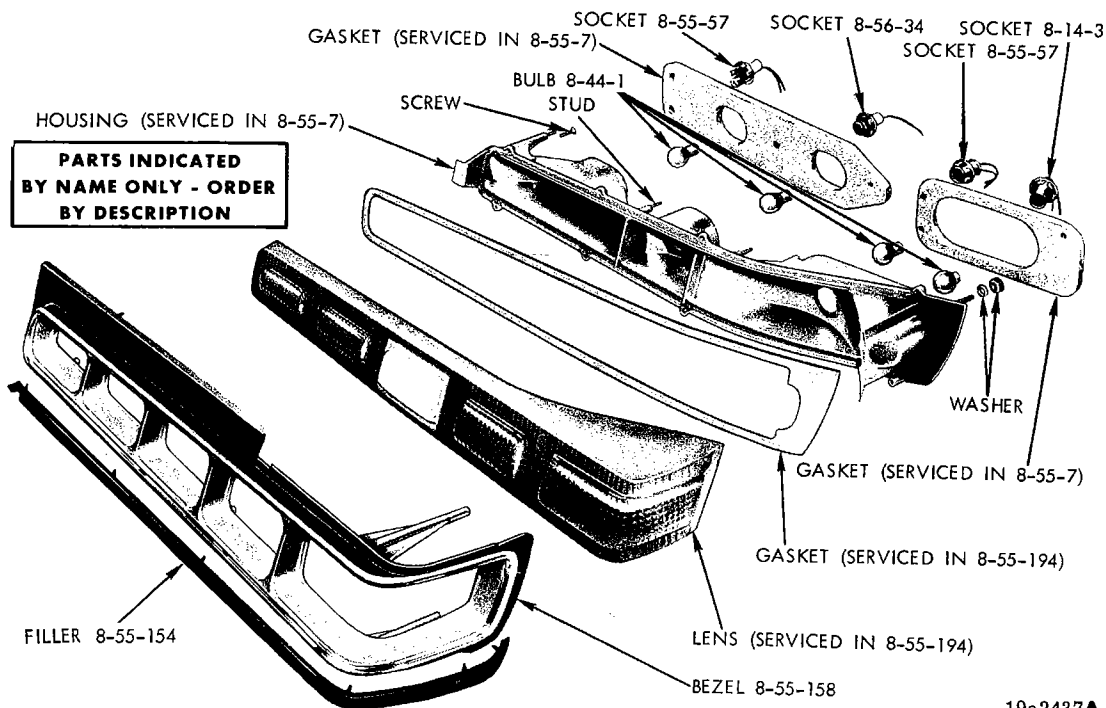
19a2457

TAIL, STOP AND TURN SIGNAL LAMP - CHARGER AND CHARGER R/T



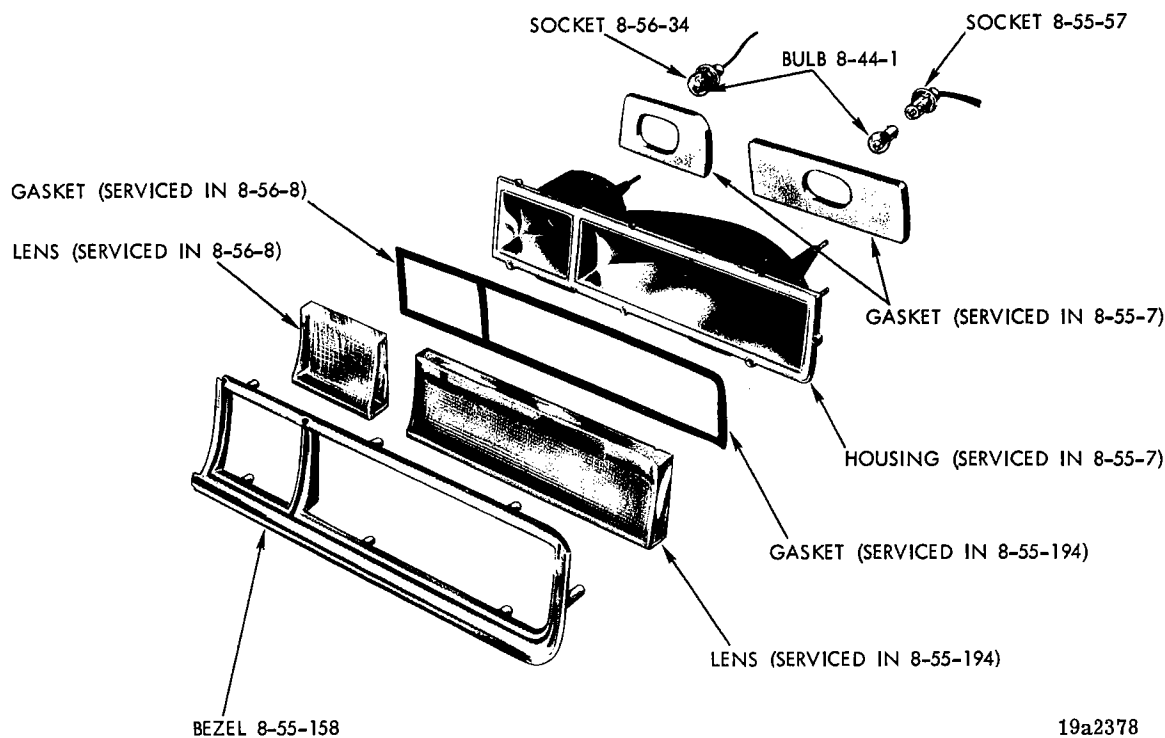
19a2436 A

TAIL, STOP, TURN SIGNAL, BACK-UP AND SIDE MARKER LAMP - DODGE POLARA AND POLARA 500 (EXCEPT STATION WAGON)

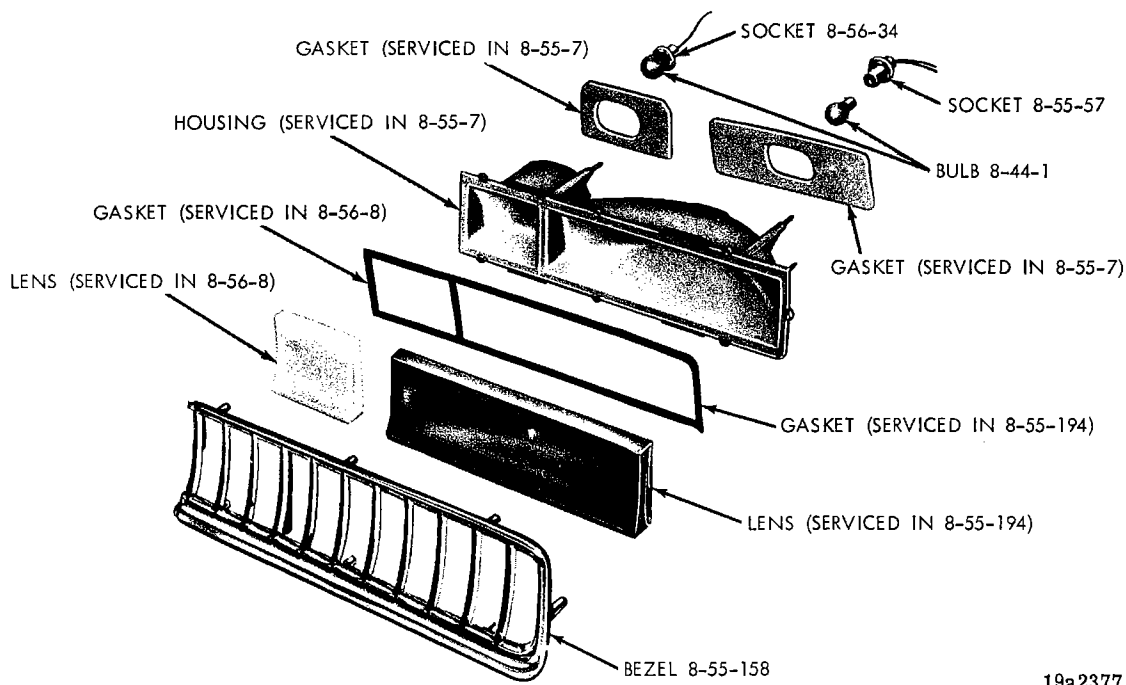


19a2437A

TAIL, STOP, TURN SIGNAL, BACK-UP AND SIDE MARKER LAMP - DODGE MONACO (EXCEPT STATION WAGON)

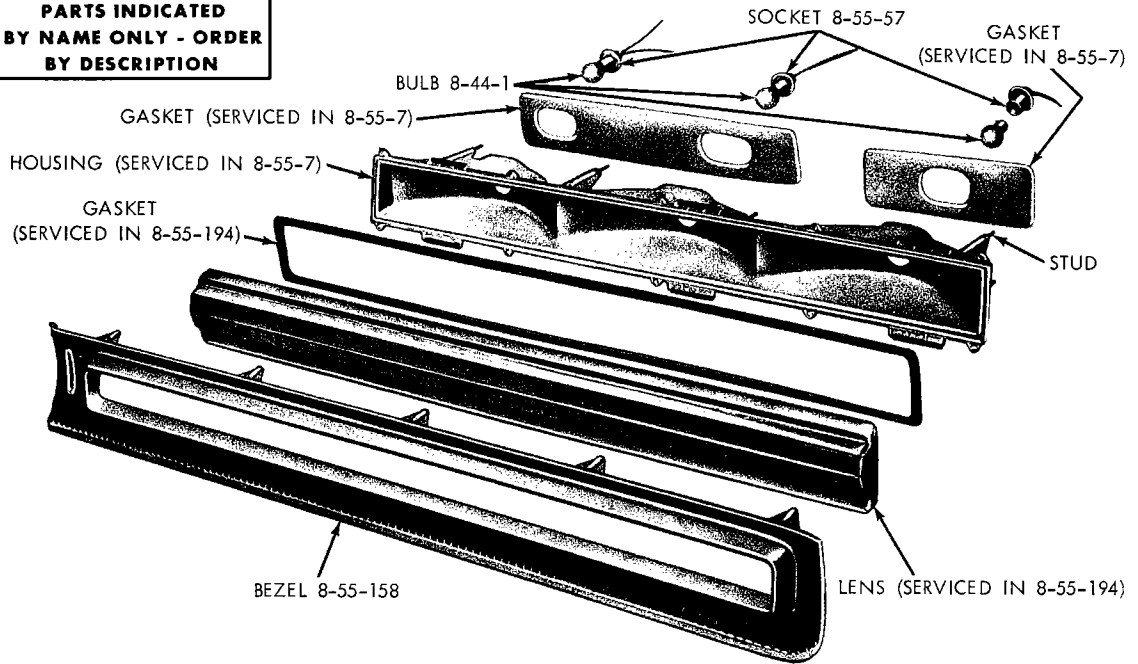


TAIL, STOP, TURN SIGNAL AND BACK-UP LAMP - CHRYSLER NEWPORT



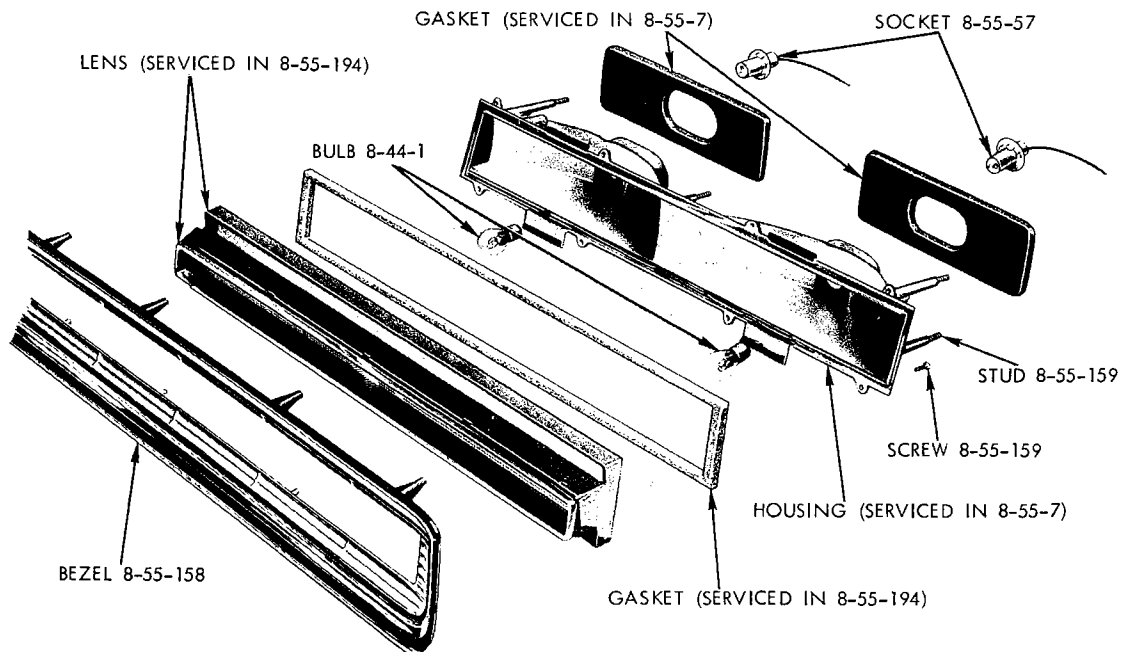
TAIL, STOP, TURN SIGNAL AND BACK-UP LAMP - CHRYSLER CUSTOM NEWPORT

**PARTS INDICATED
BY NAME ONLY - ORDER
BY DESCRIPTION**



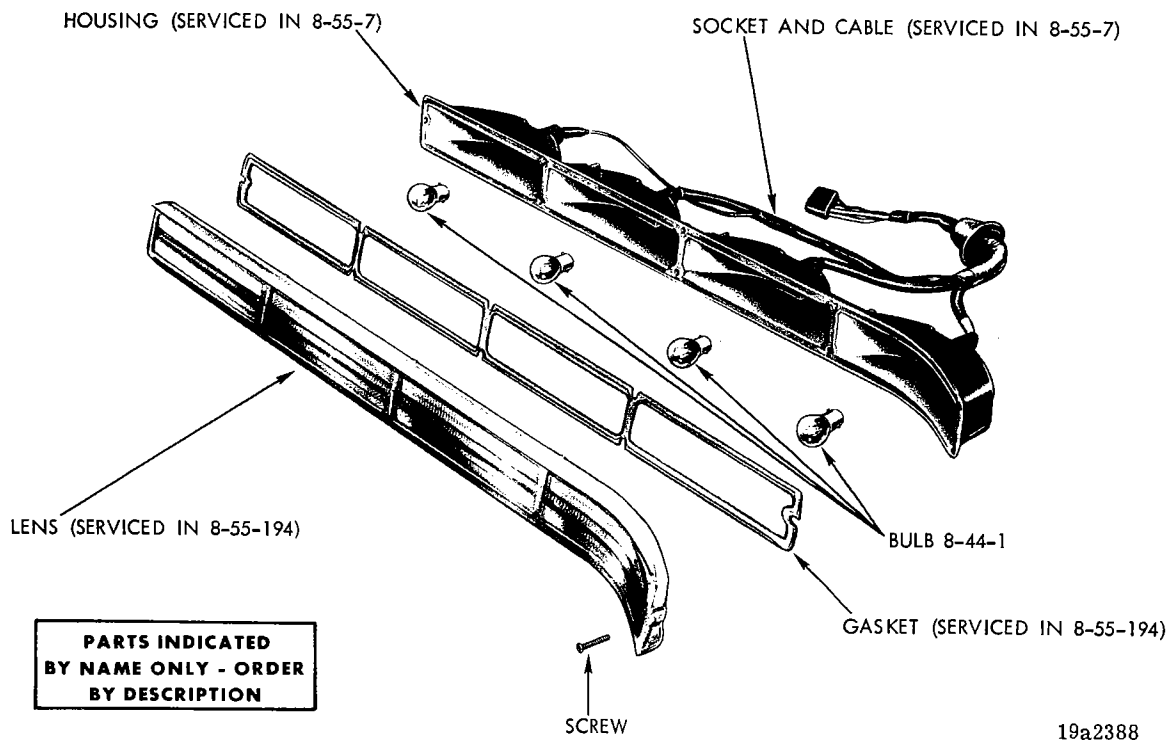
19a2376

TAIL, STOP AND TURN SIGNAL LAMP - CHRYSLER 300



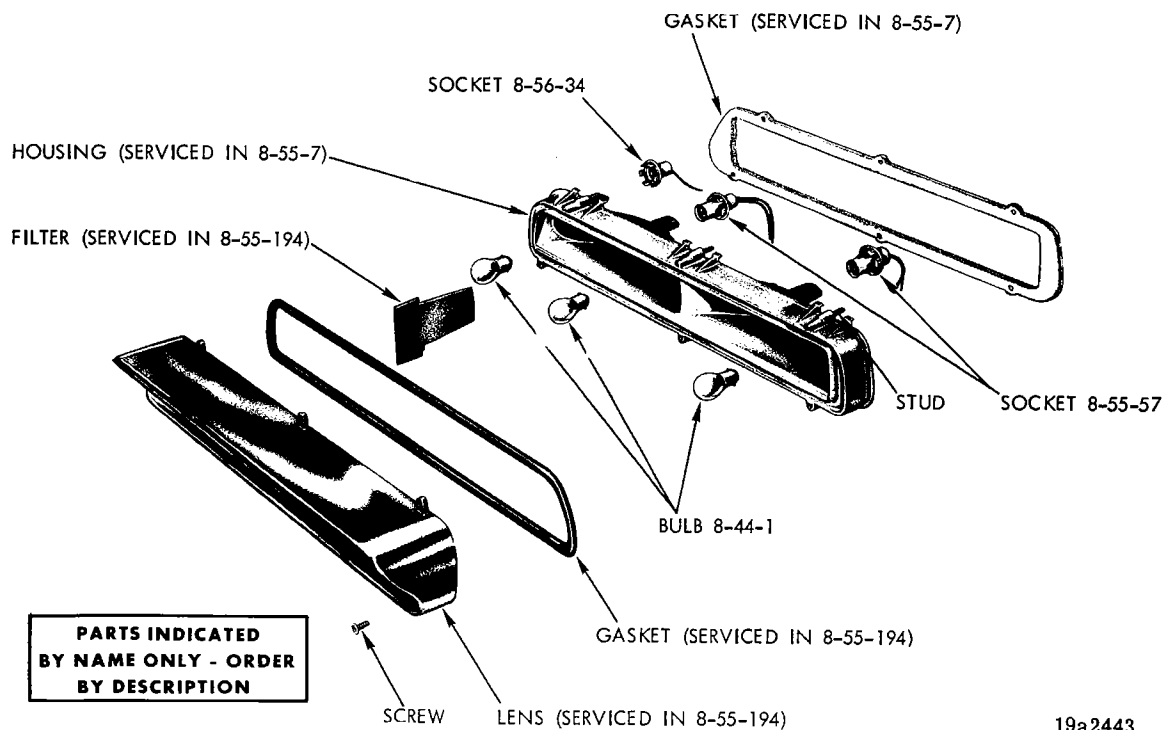
19a2389

TAIL, STOP AND TURN SIGNAL LAMP - CHRYSLER NEW YORKER



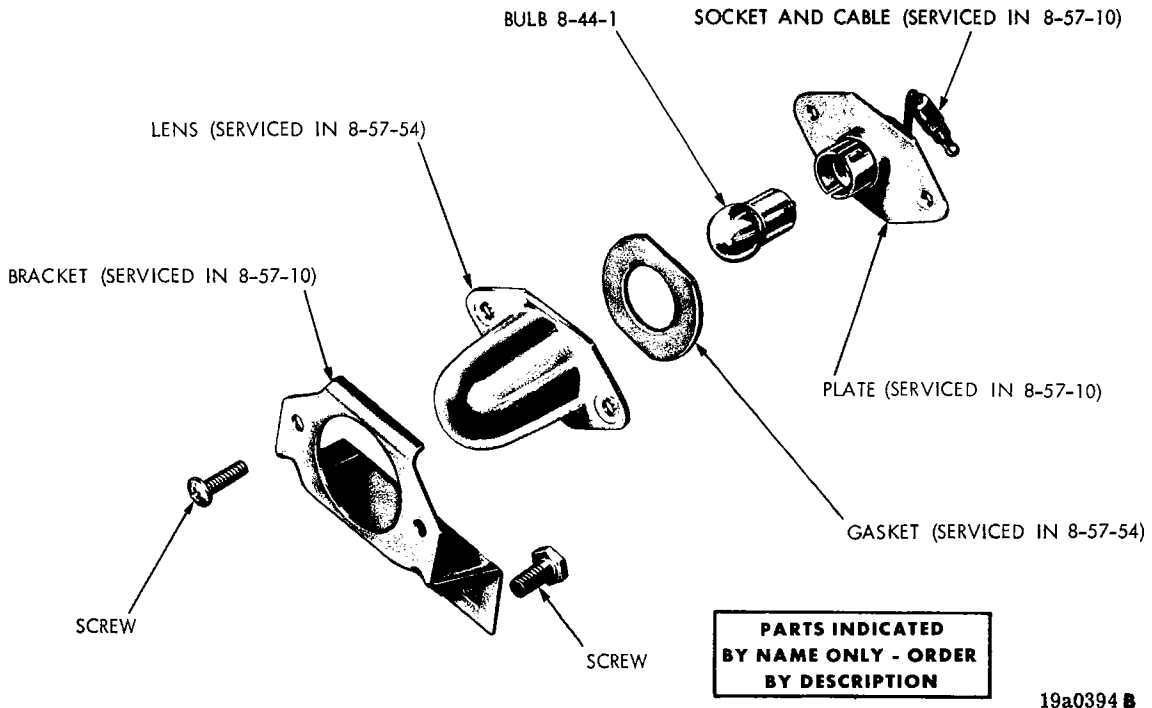
19a2388

TAIL, STOP, TURN SIGNAL AND BACK-UP LAMP - IMPERIAL

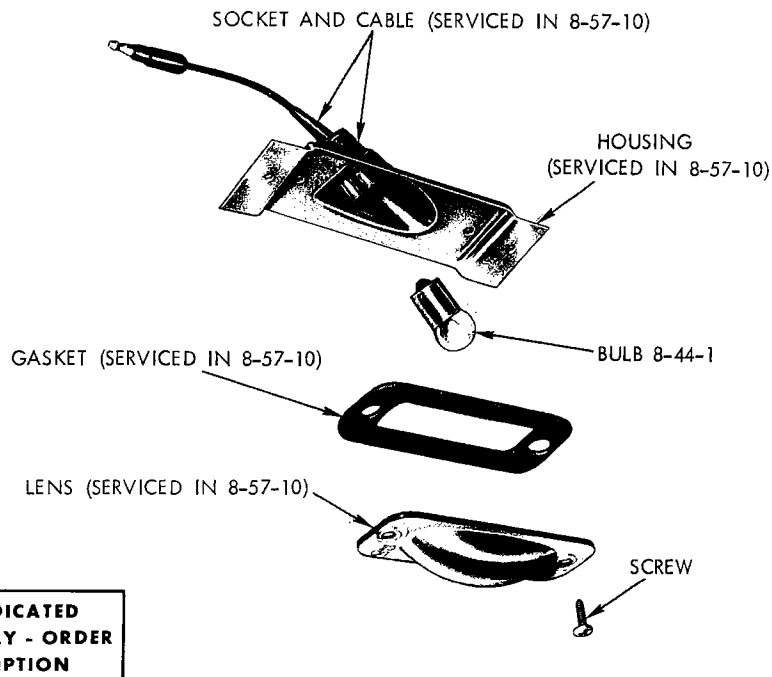


19a2443

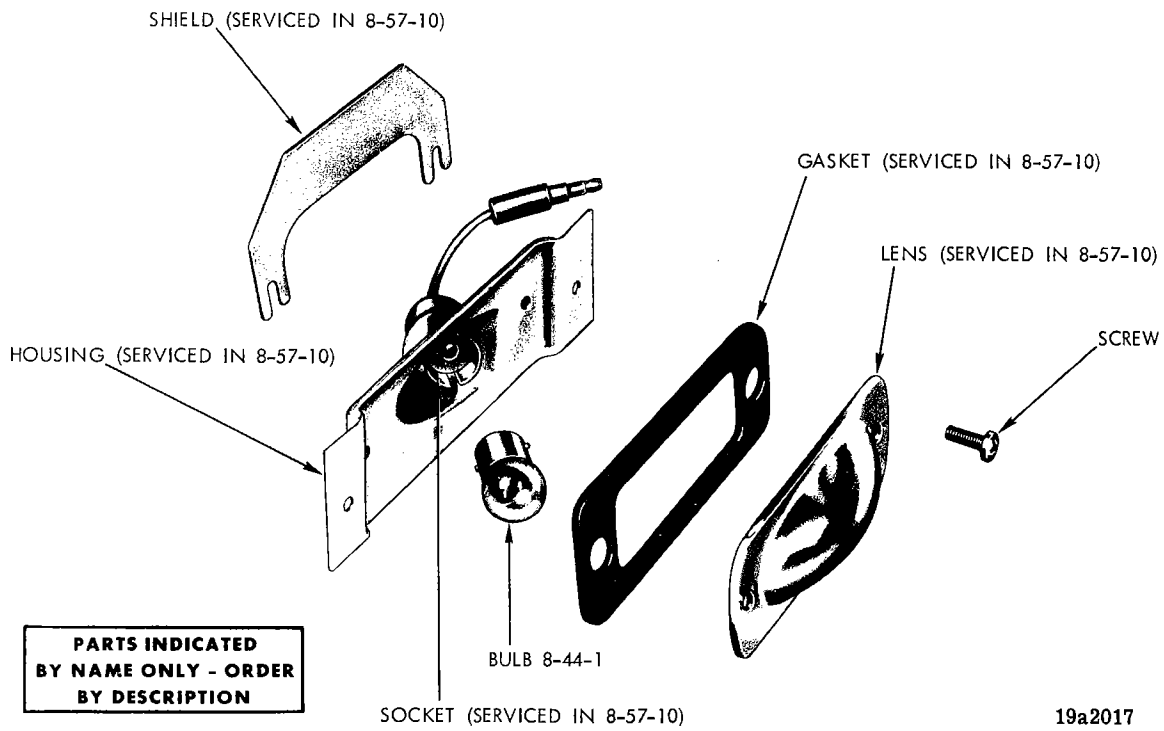
LOWER DECK OPENING PANEL TAIL, STOP, TURN SIGNAL AND BACK-UP LAMP - CORONET 500 AND R/T - 2 DOOR HARDTOP, CONVERTIBLE COUPE AND 4 DOOR SEDAN



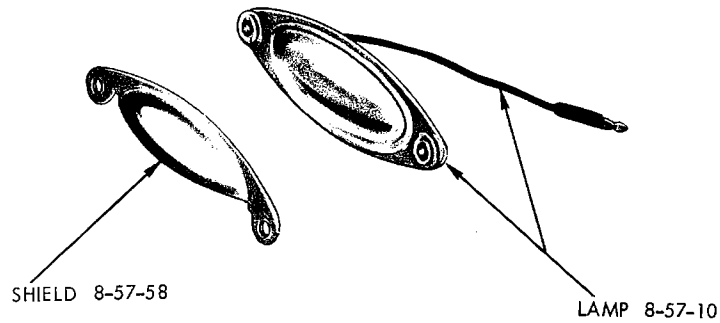
LICENSE LAMP - VALIANT



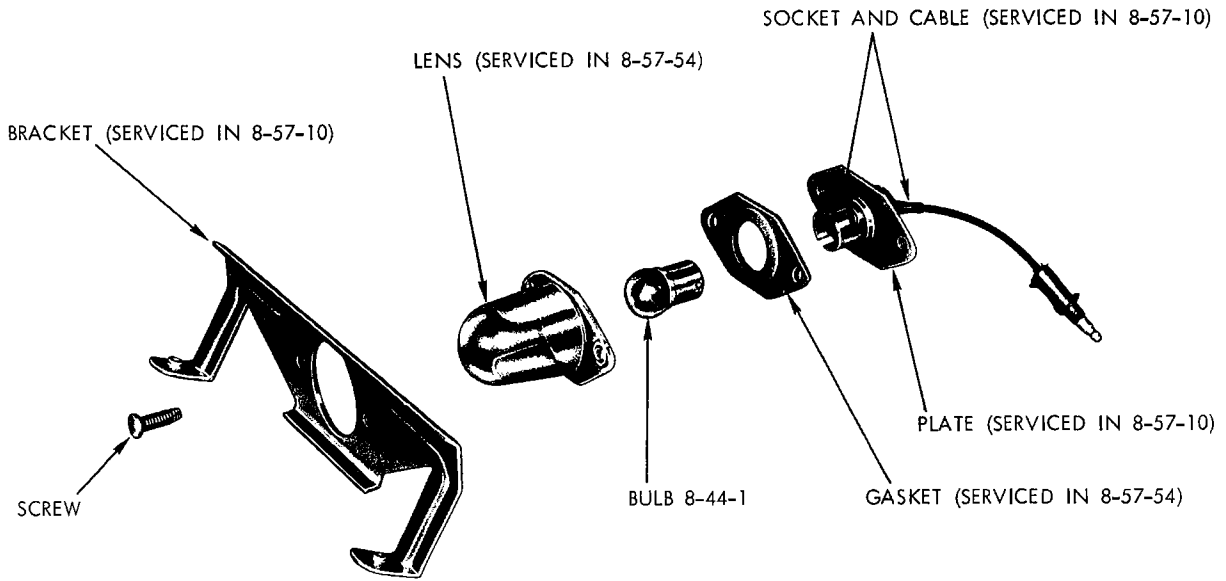
LICENSE LAMP - BARRACUDA, DART, CORONET (EXCEPT CHARGER - CHARGER R/T AND STATION WAGON) AND DODGE (EXCEPT STATION WAGON)



LICENSE LAMP - CHARGER AND CHARGER R/T



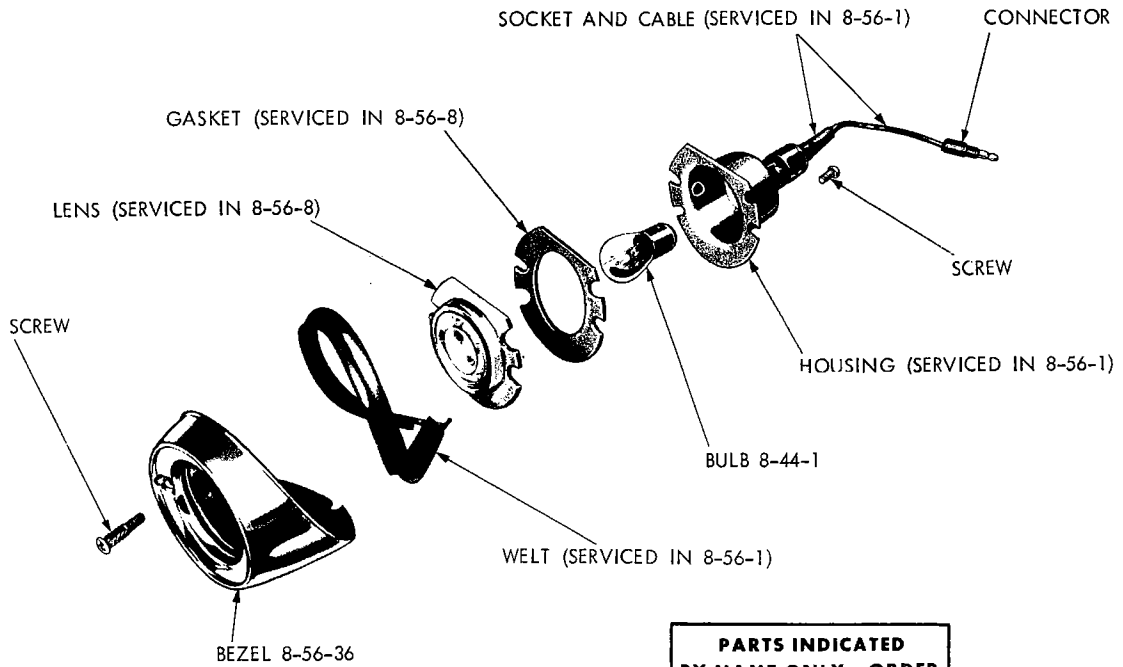
LICENSE LAMP - PLYMOUTH FURY AND CHRYSLER (EXCEPT STATION WAGON)



**PARTS INDICATED
BY NAME ONLY - ORDER
BY DESCRIPTION**

19a2010 A

LICENSE LAMP - BELVEDERE (EXCEPT STATION WAGON) AND IMPERIAL

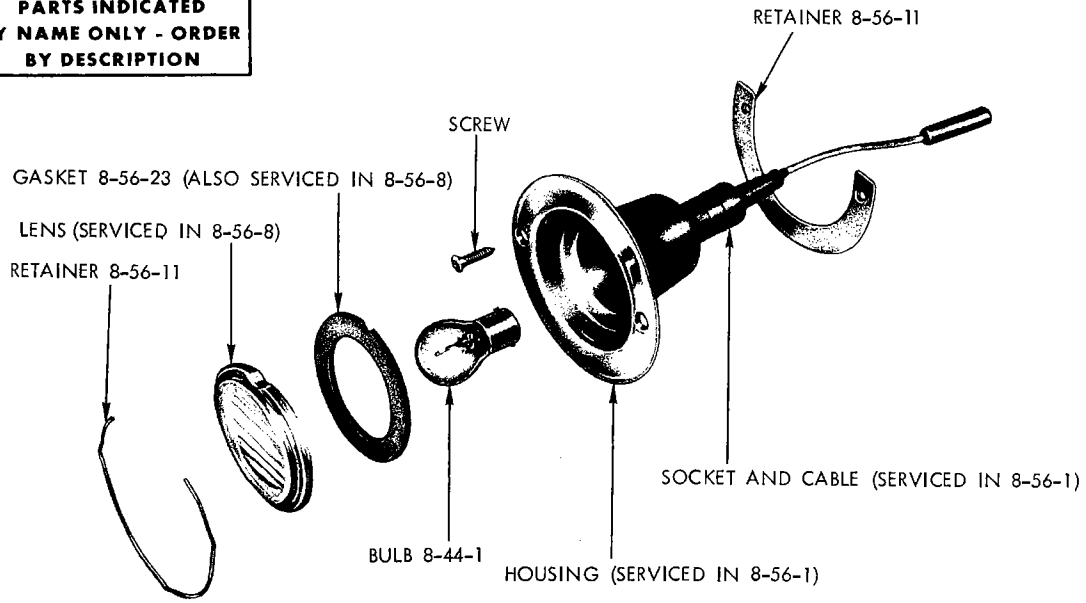


**PARTS INDICATED
BY NAME ONLY - ORDER
BY DESCRIPTION**

19a0384 B

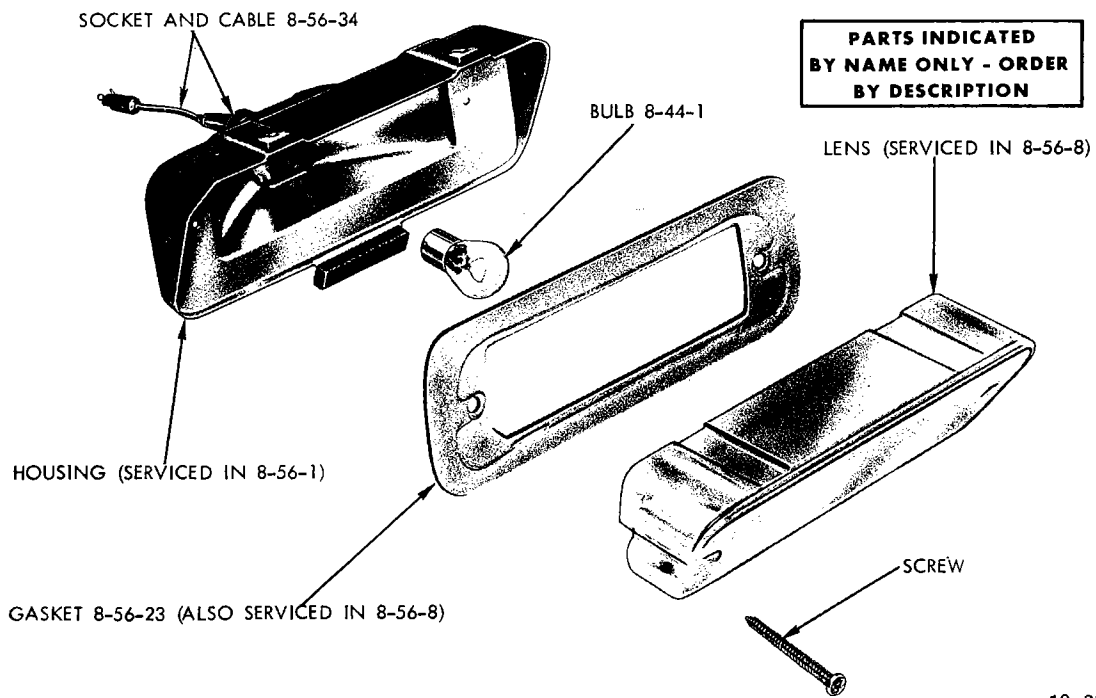
BACK-UP LAMP - BARRACUDA

**PARTS INDICATED
BY NAME ONLY - ORDER
BY DESCRIPTION**



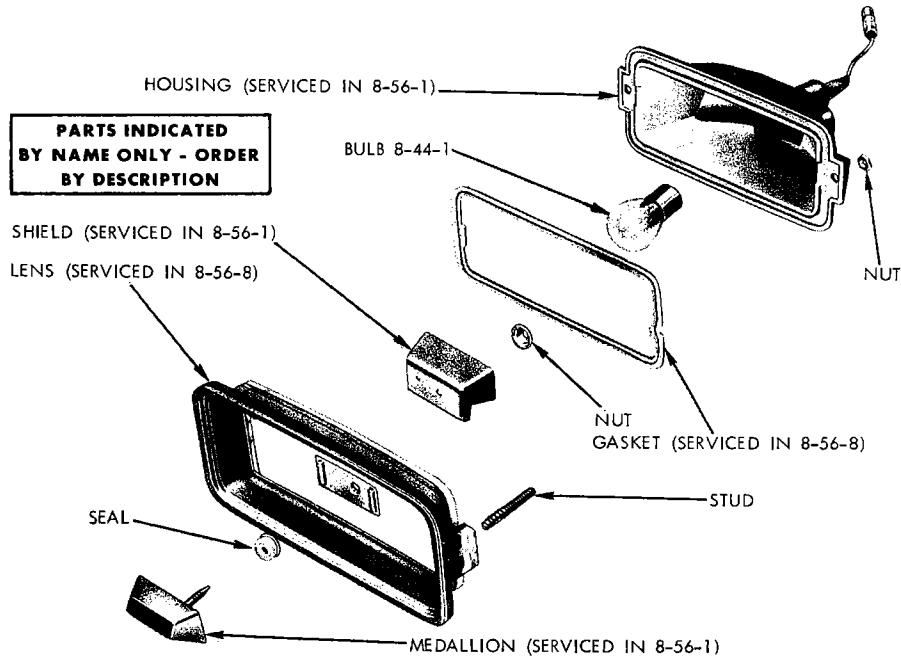
19a2090 B

BACK-UP LAMP - BELVEDERE, CHARGER AND CHARGER R/T AND ALL STATION WAGON



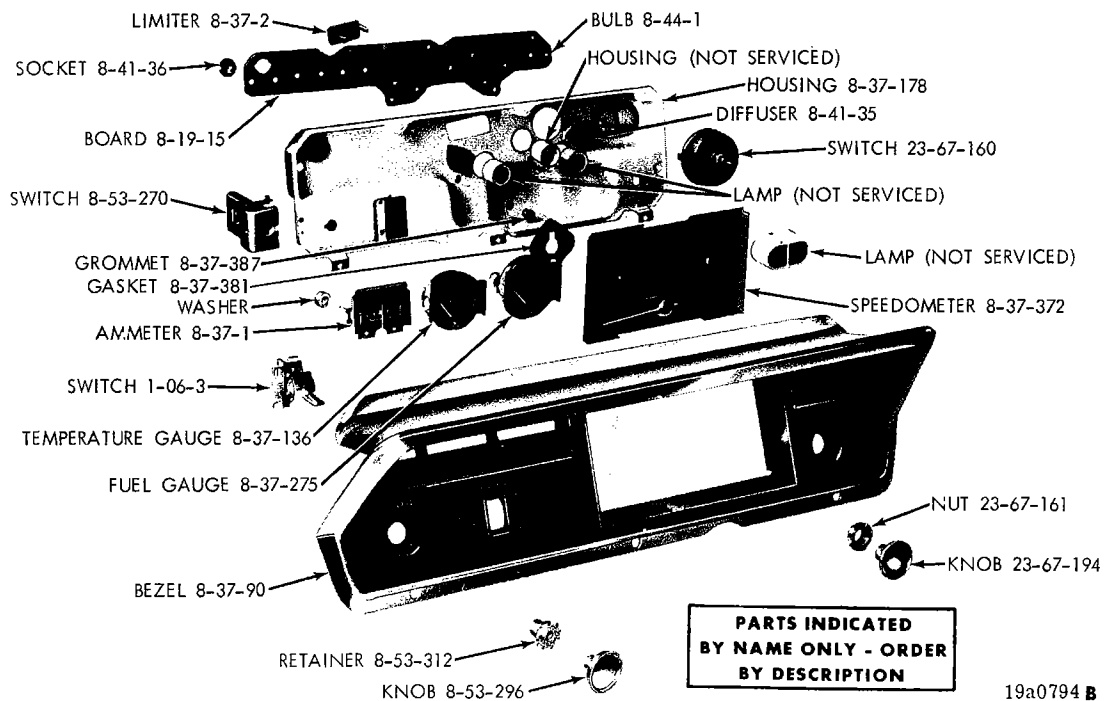
19a2375

BACK-UP LAMP - PLYMOUTH FURY (EXCEPT STATION WAGON)



19a2384

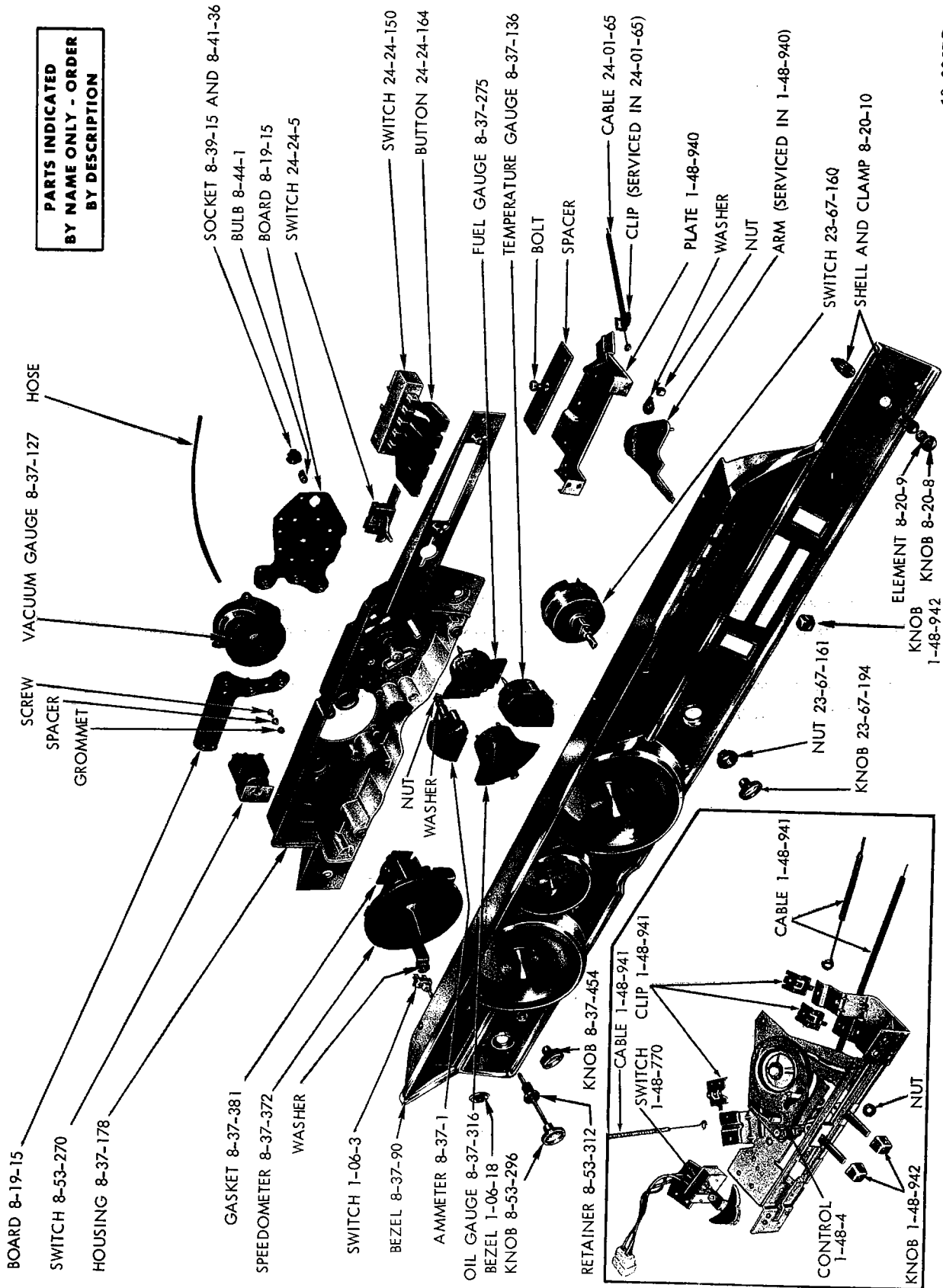
BACK-UP LAMP - CHRYSLER 300



19a0794 B

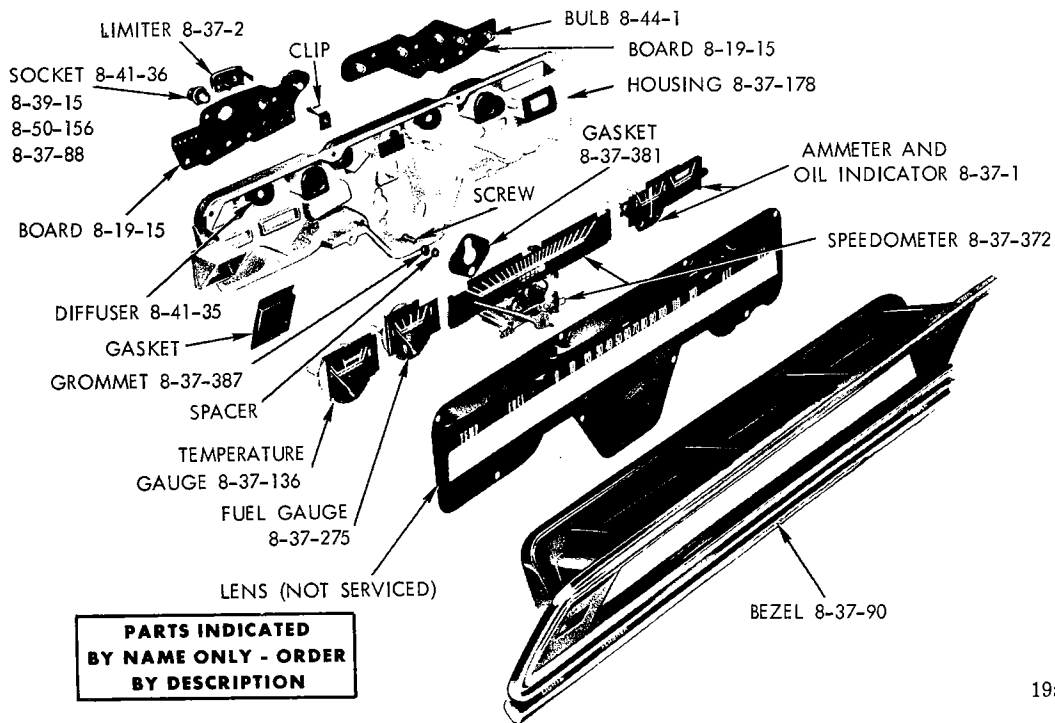
SPEEDOMETER AND INSTRUMENT CLUSTER - VALIANT

PARTS INDICATED
BY NAME ONLY - ORDER
BY DESCRIPTION



19a0867D

SPEEDOMETER AND INSTRUMENT CLUSTER - BARRACUDA

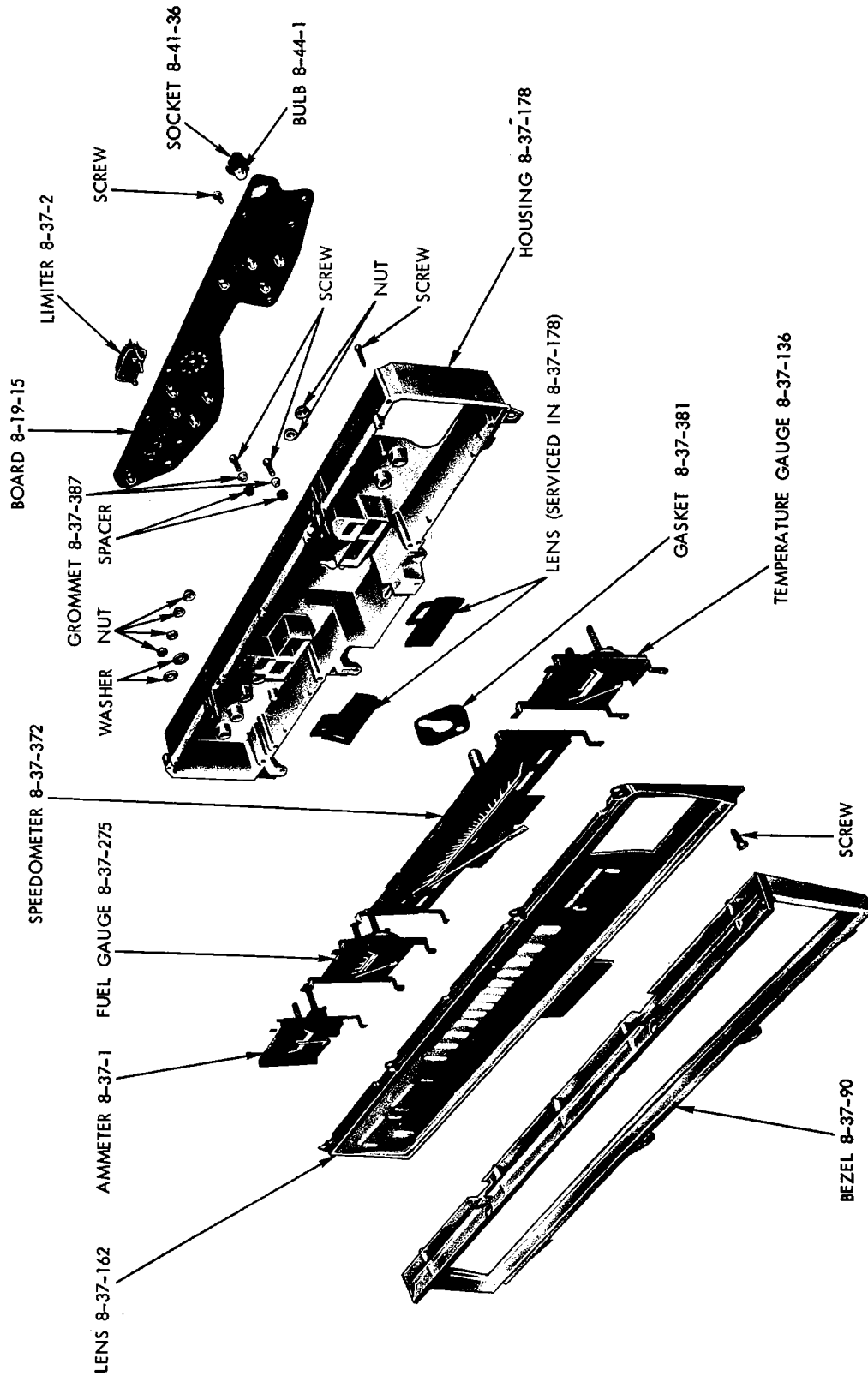


19a0781B

SPEEDOMETER AND INSTRUMENT CLUSTER - DART

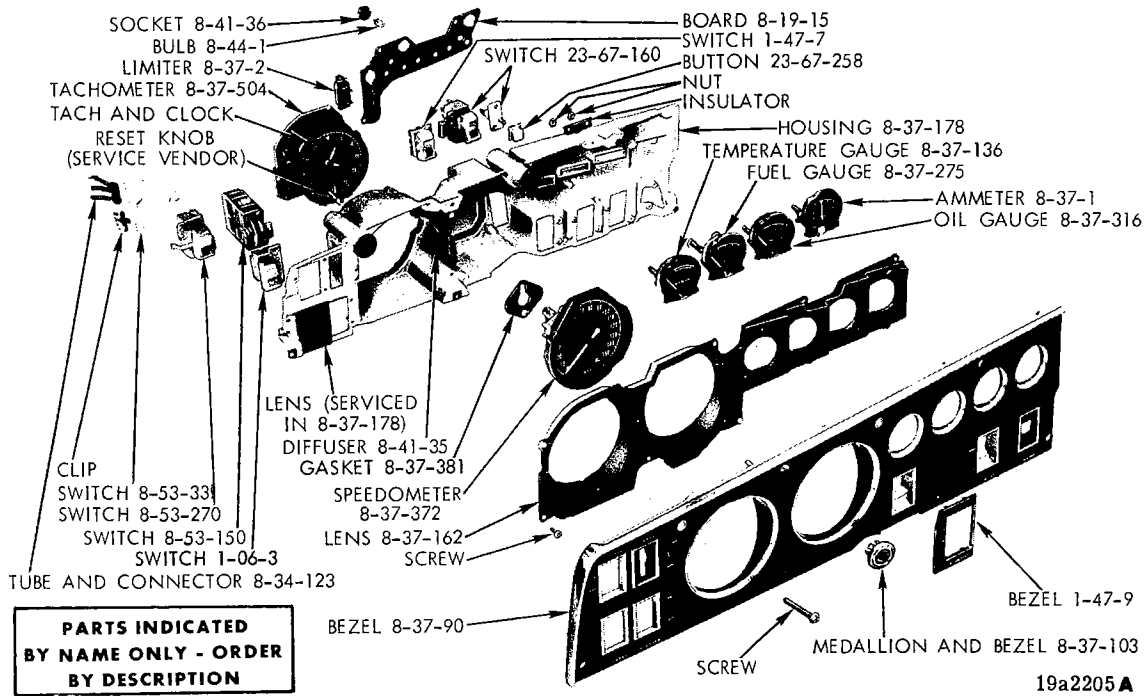
NOTES

PARTS INDICATED
BY NAME ONLY - ORDER
BY DESCRIPTION

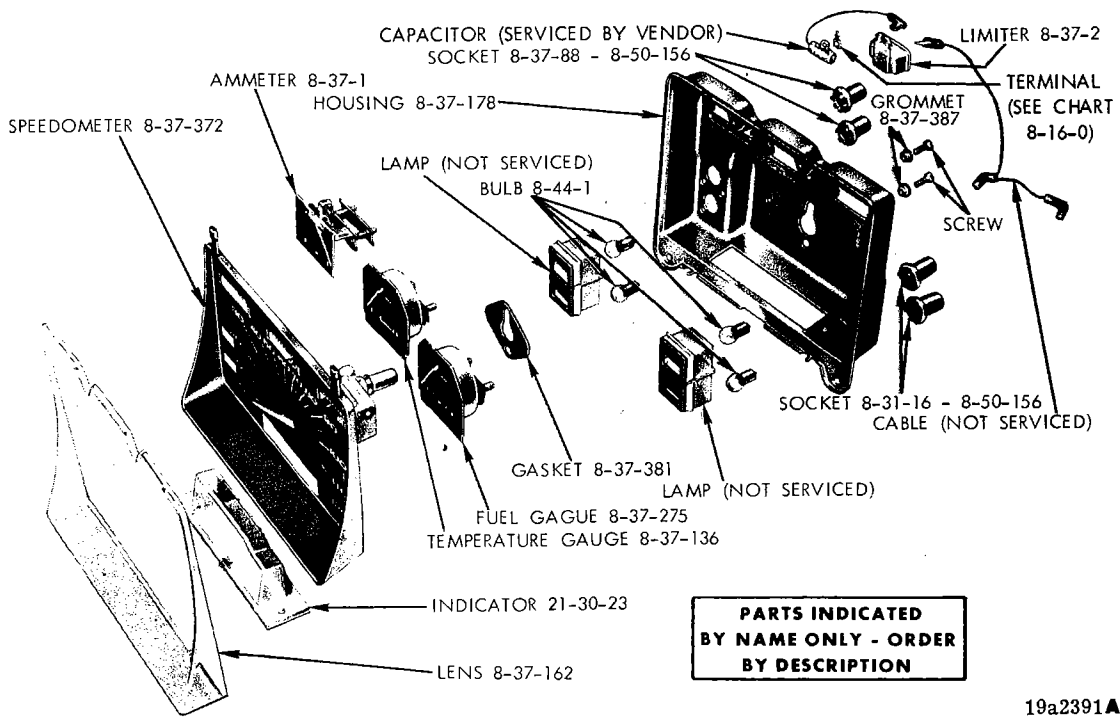


19a2011 A

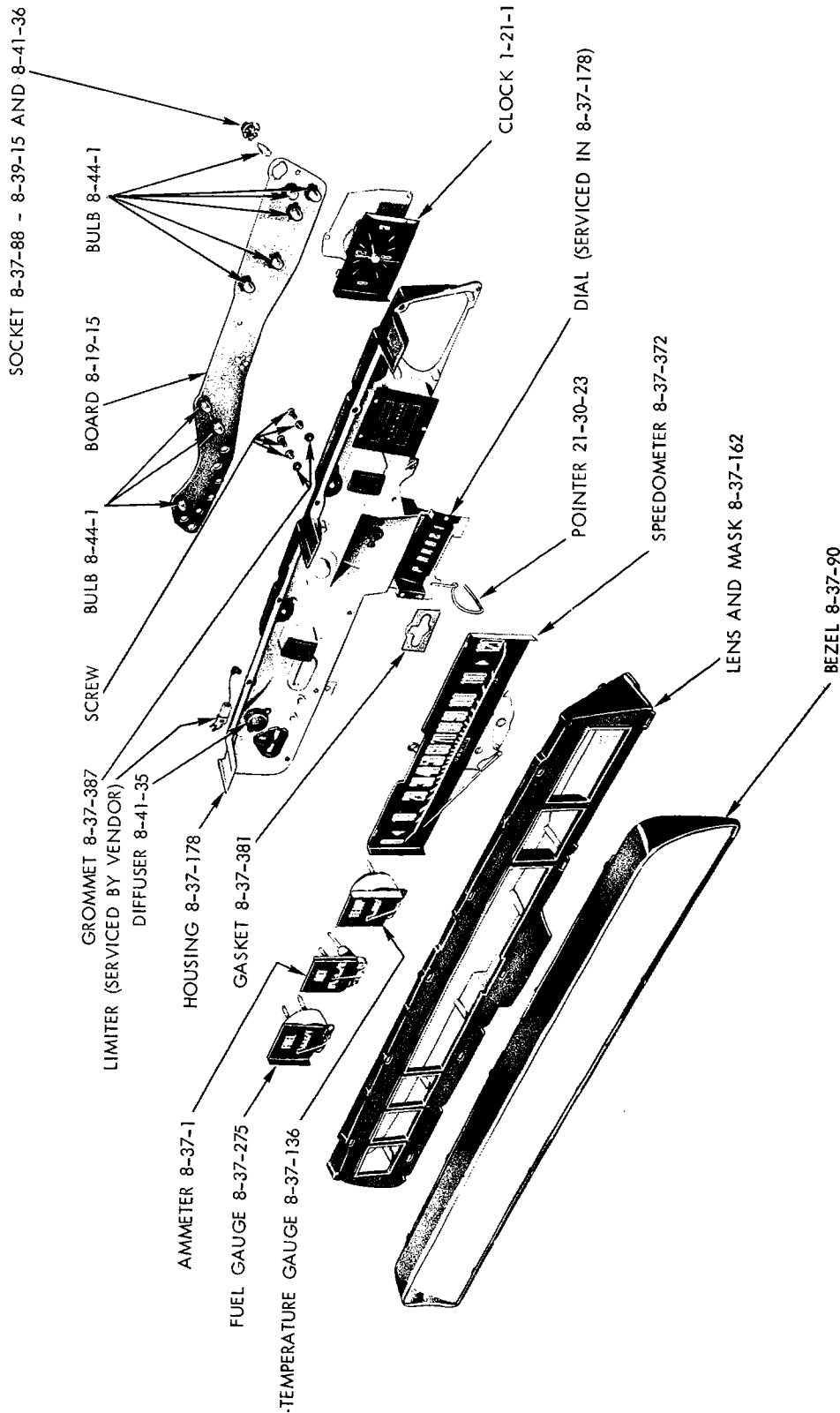
SPEEDOMETER AND INSTRUMENT CLUSTER - BELVEDERE AND CORONET (EXCEPT CHARGER AND CHARGER R/T)



SPEEDOMETER AND INSTRUMENT CLUSTER - CHARGER AND CHARGER R/T



INSTRUMENT CLUSTER - PLYMOUTH FURY

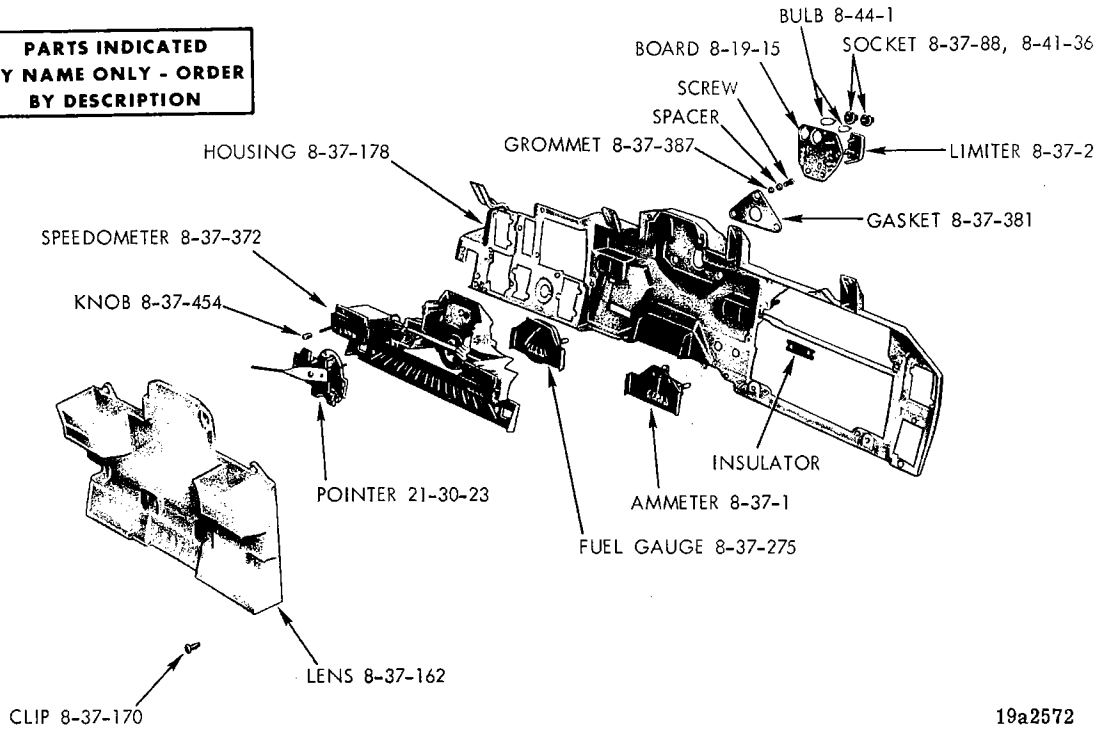


**PARTS INDICATED
BY NAME ONLY - ORDER
BY DESCRIPTION**

19a2461A

INSTRUMENT CLUSTER - DODGE (EXCEPT CORONET, CHARGER AND CHARGER R/T)

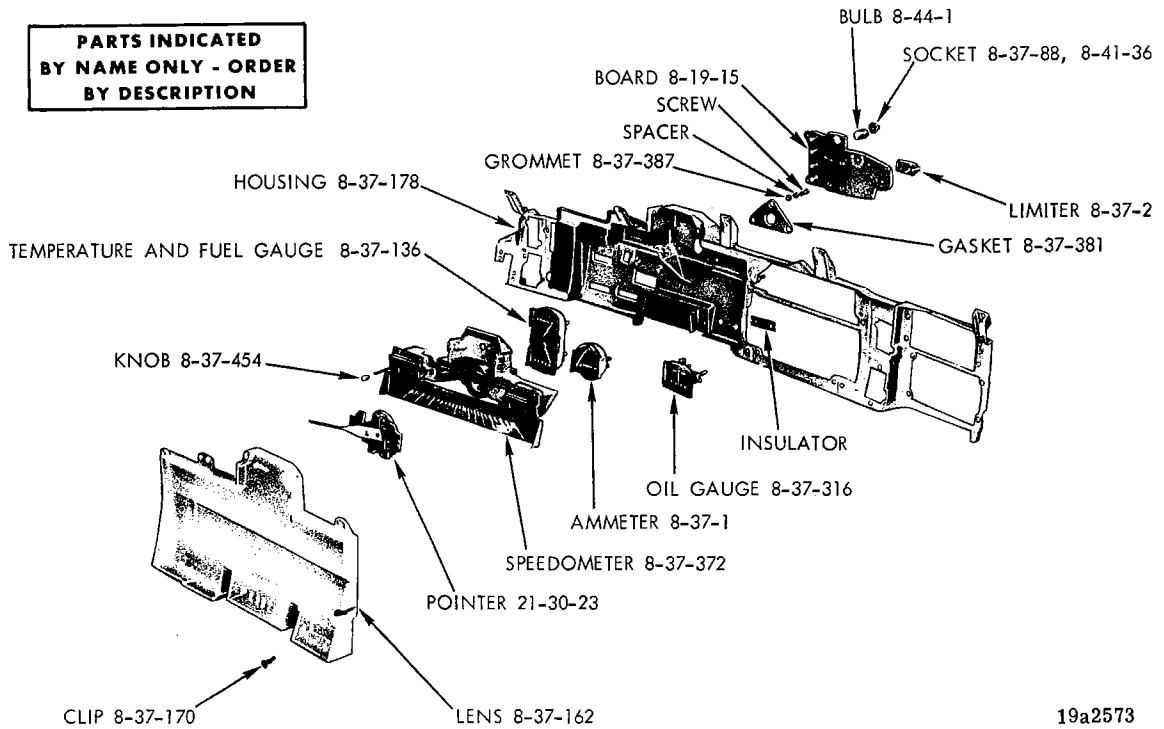
**PARTS INDICATED
BY NAME ONLY - ORDER
BY DESCRIPTION**



19a2572

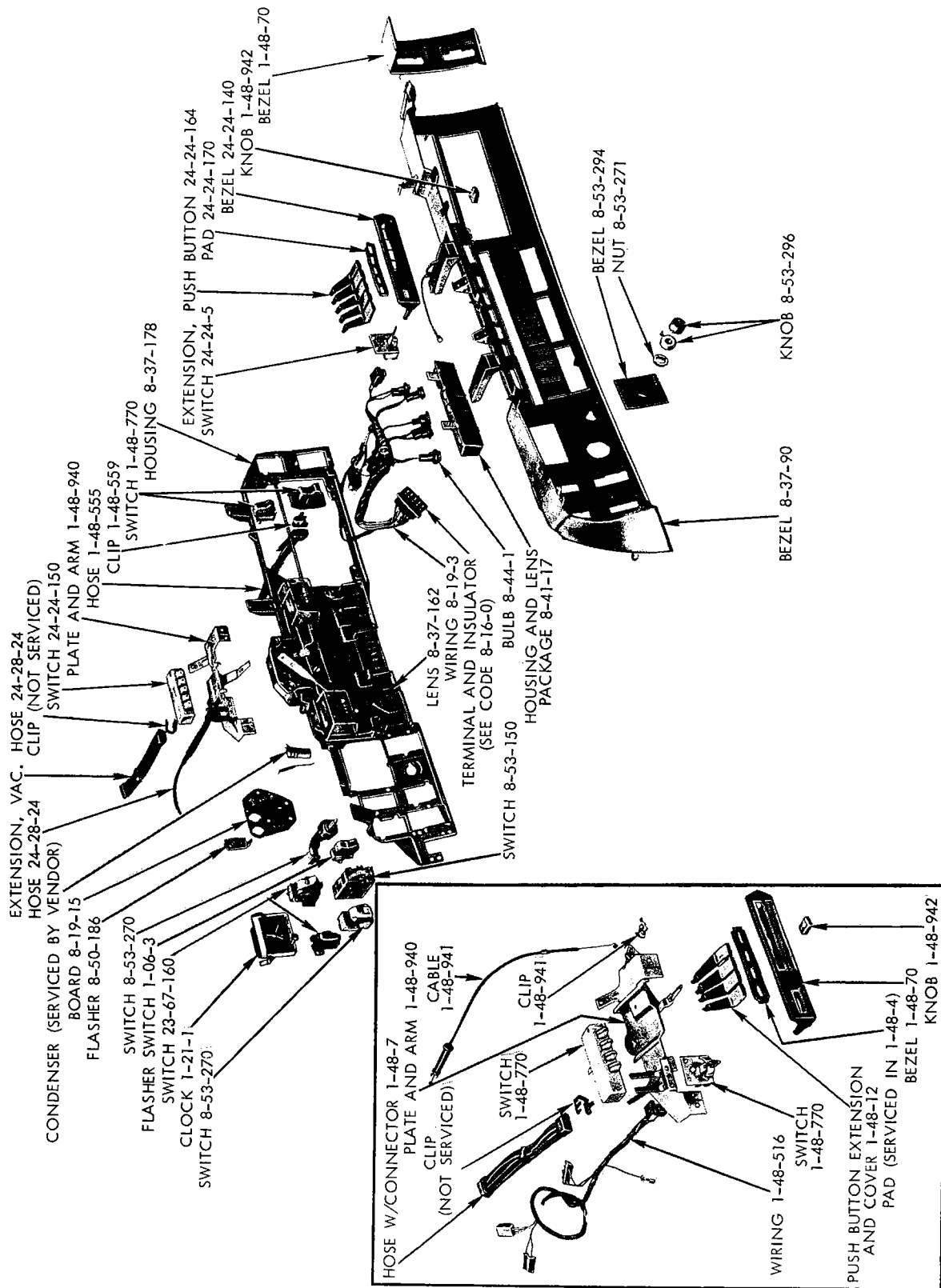
SPEEDOMETER AND INSTRUMENT CLUSTER - CHRYSLER

**PARTS INDICATED
BY NAME ONLY - ORDER
BY DESCRIPTION**



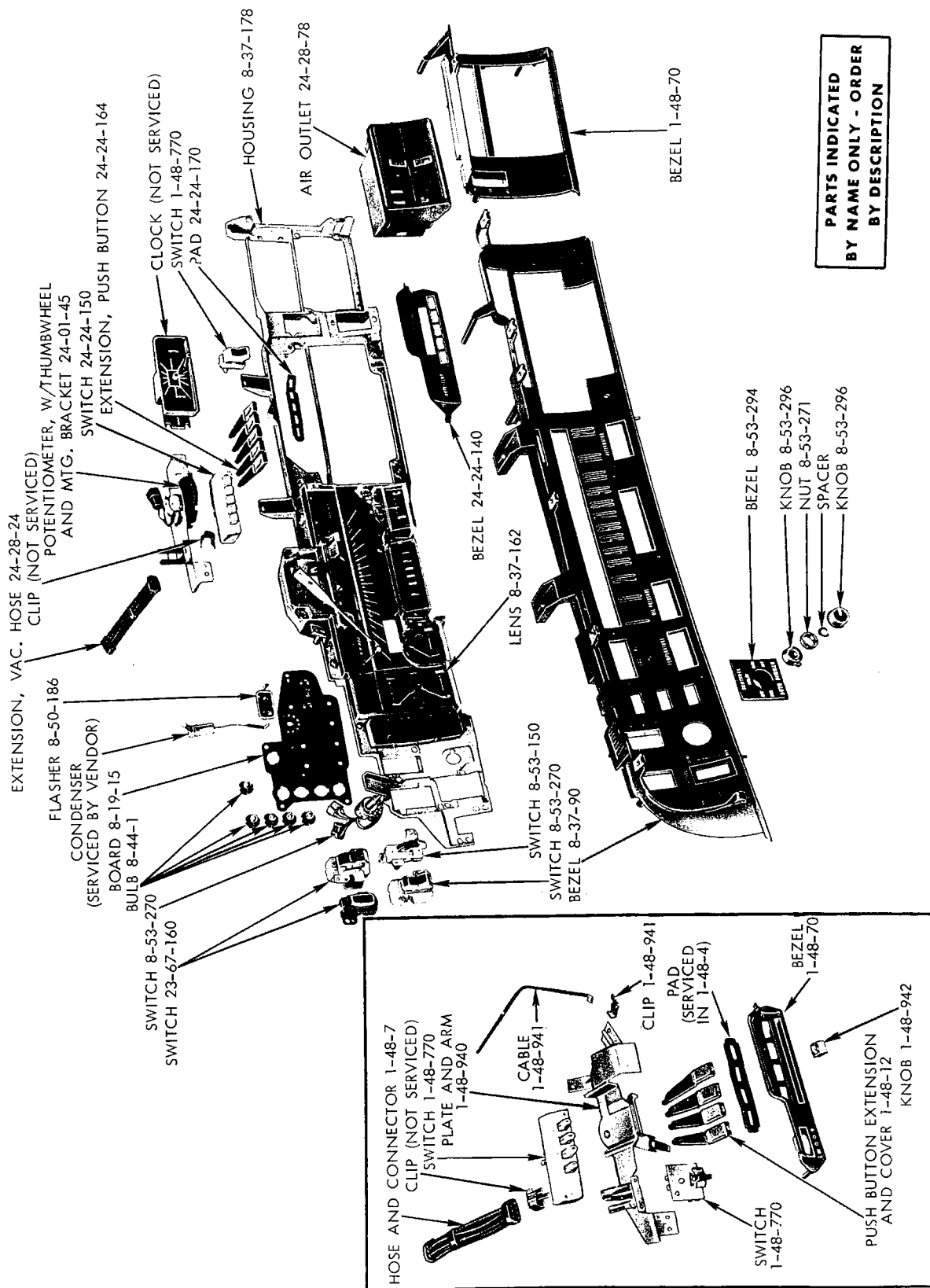
19a2573

SPEEDOMETER AND INSTRUMENT CLUSTER - IMPERIAL



19a2695

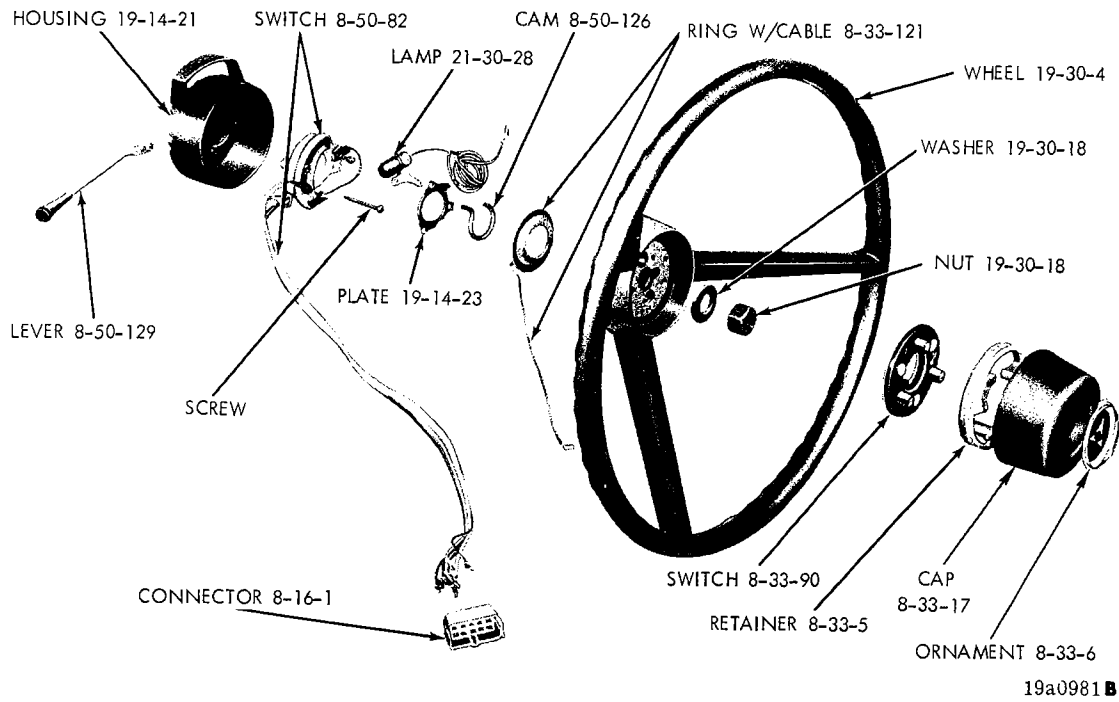
INSTRUMENT CLUSTER, SWITCHES AND AIR CONDITIONING CONTROLS - CHRYSLER



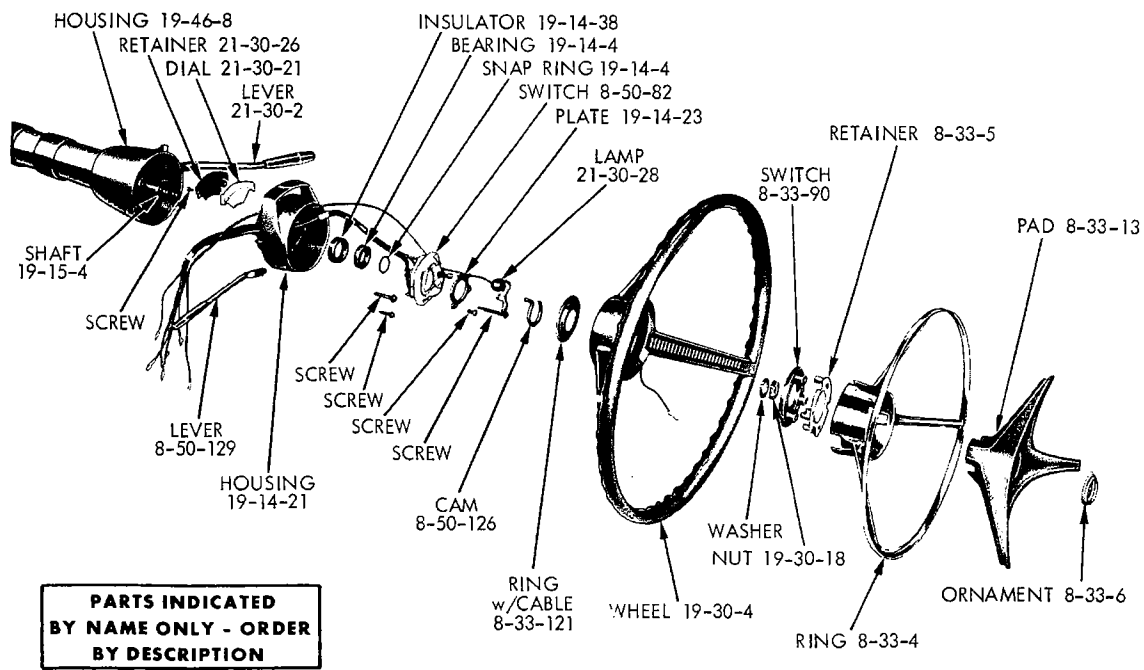
**PARTS INDICATED
 BY NAME ONLY - ORDER
 BY DESCRIPTION**

19a2692

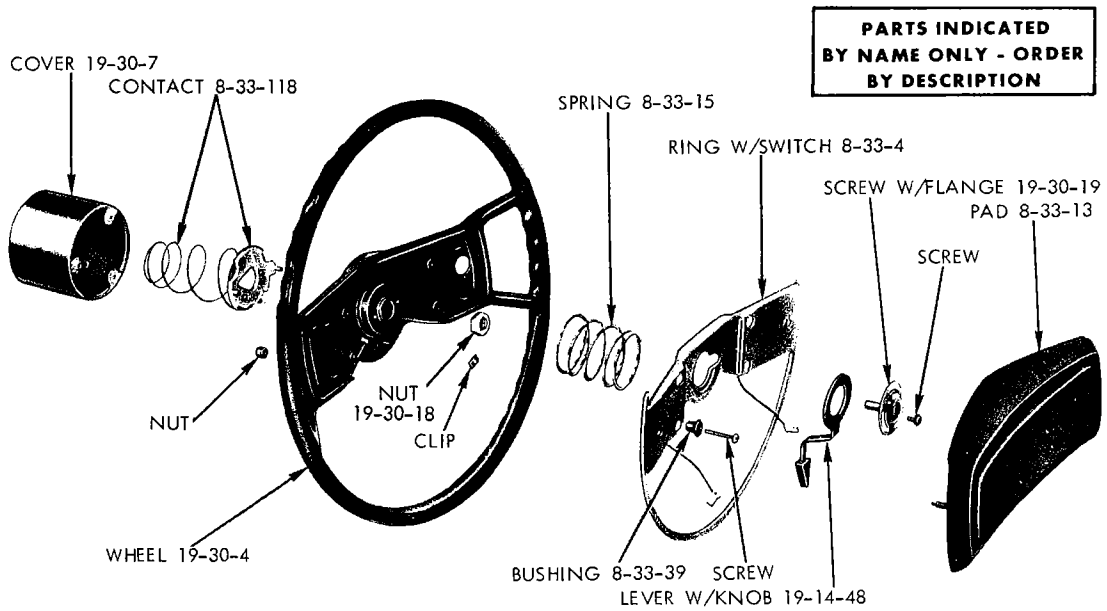
INSTRUMENT CLUSTER, SWITCHES AND AIR CONDITIONING CONTROLS - IMPERIAL



HORN AND TURN SIGNAL CONTROLS - VALIANT, BARRACUDA AND DART



HORN AND TURN SIGNAL CONTROLS - BELVEDERE AND CORONET



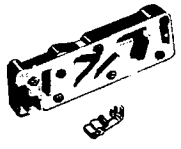
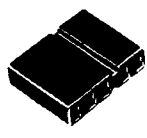

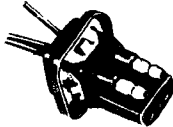


**PARTS INDICATED
BY NAME ONLY - ORDER
BY DESCRIPTION**

19a2694

STEERING WHEEL (WITH HORN BUTTON - WITH TILT-TELESCOPIC STEERING) - CHRYSLER AND IMPERIAL

NOTES

A series of horizontal lines provided for handwritten notes.

<p>CONNECTOR 2427523 COVER 2427646 TERMINAL 2427529</p>  <p>2495237 PACKAGE</p>	<p>CONNECTOR 2427502 COVER 2427567 TERMINAL 2427529</p>  <p>2495235 PACKAGE</p>	<p>CONNECTOR 2427506 COVER 2427560</p>  <p>TERMINAL 2427529</p> <p>2495234 PACKAGE</p>	<p>CONNECTOR 2427499 COVER 2427498</p>  <p>TERMINAL 2427529</p> <p>2495236 PACKAGE</p>	<p>CONNECTOR 2496346</p>  <p>TERMINAL 2258118</p> <p>2495517 PACKAGE</p>
<p>INSULATOR 2496999</p>  <p>TERMINAL 2496532</p> <p>2495542 PACKAGE</p>	<p>INSULATOR 2427191</p>  <p>TERMINAL 1842012</p> <p>2495223 PACKAGE</p>	<p>INSULATOR</p>  <p>TERMINAL 1842012</p> <p>2495224 PACKAGE</p>	<p>INSULATOR 2496533</p>  <p>TERMINAL 2496532</p> <p>2495541 PACKAGE</p>	<p>INSULATOR 2580288</p>  <p>TERMINAL 2427529</p> <p>2584842 PACKAGE</p>
<p>INSULATOR</p>  <p>TERMINAL 2427529</p> <p>2584843 PACKAGE</p>	<p>INSULATOR 2497982</p>  <p>TERMINAL 2427848</p> <p>2584953 PACKAGE</p>	<p>INSULATOR 2497892</p>  <p>COVER 2497954</p> <p>TERMINAL 2427529</p> <p>2584954 PACKAGE</p>	<p>INSULATOR 2631318</p>  <p>TERMINAL 1842012</p> <p>2586590 PACKAGE</p>	<p>INSULATOR 2631319</p>  <p>TERMINAL 1842012</p> <p>2586591 PACKAGE</p>
<p>INSULATOR 2631317</p>  <p>TERMINAL 1842012</p> <p>2586589 PACKAGE</p>	<p>INSULATOR 2291258</p> 	 <p>TERMINAL</p> <p>2584841 PACKAGE</p>	<p>INSULATOR 2497701</p> 	<p>PLUG 2497346</p> 
<p>MOLD AND CABLE 2580267</p> 	<p>MOLD AND CABLE 2580064</p> 	<p>MOLD AND CABLE 2580065</p> 	<p>CONNECTOR 2631340</p> 	<p>TERMINAL 2496532</p> 
<p>TERMINAL, INSULATOR AND CABLE 2230985</p> 	<p>SLEEVE 930304</p> 			
<p>PLUG 665151</p> 	<p>SLEEVE 1264933</p> 			

19a0632 A

PLUGS, TERMINALS, INSULATORS AND CONNECTORS CHART

CONNECTOR 1842003 	CONNECTOR  TERMINAL 1879609 PACKAGE	CONNECTOR 611898 	TERMINAL 1842009 	TERMINAL 2427736 	TERMINAL 670821 
TERMINAL 2291588 	TERMINAL 2291259 	TERMINAL 1770660 	TERMINAL 903895 	TERMINAL 1819836 (SILVER PLATED) 	
TERMINAL 2258591 	TERMINAL 2258118 	TERMINAL 2290069 	TERMINAL 2258590 	TERMINAL 2290207 	TERMINAL 2291838 
TERMINAL (FEMALE) 1842026  INSULATOR (FEMALE) TERMINAL (MALE) 1842012  INSULATOR (MALE) 2298882 PACKAGE 	INSULATOR 2291093 	TERMINAL 2427545 	INSULATOR 2258651 	INSULATOR 2258102 	INSULATOR  TERMINAL 2240264 PACKAGE 
TERMINAL 2197947 	INSULATOR  TERMINAL 2240536 PACKAGE 	INSULATOR  TERMINAL 2084421 PACKAGE 	INSULATOR 1972881  TERMINAL 1842026 2084424 PACKAGE 	TERMINAL 2197945 	
TERMINAL 2427725 	TERMINAL 2427848  CONNECTOR (10)  TERMINAL (20) 1790322 1843444 PACKAGE 	INSULATOR 1842019  TERMINAL 1842018  TERMINAL 1842026 2448822 PACKAGE  	TERMINAL 2257443-4  TERMINAL 2427529 	INSULATOR  TERMINAL 2495239 PACKAGE 	TERMINAL 2496541  2231119  2233028  PLUG AND WIRING

19x9957C

PLUGS, TERMINALS, INSULATORS AND CONNECTORS CHART

CODE	PART NAME	ENG. TYPE OR CU.IN.	V	B	L	R	W	P	D	C	C	C	Y	PART NUMBER
			1-2	1-2	1-2	1-2	1-2	1-2	1-2	1	2	3	1	
8-01-0 BATTERY AND CABLE														
8-01-4	CABLE, Battery Ground, No. 4 Gauge, 30" long		1	1	1	—	—	—	—	—	—	—	—	2421 199
	No. 4 Gauge, 30" long, except 426 Eng.		—	—	—	1	1	—	—	—	—	—	—	2421 199
	23" long		—	—	—	—	—	1	1	1	1	1	—	1879 944
	No. 1 Gauge, 27" long		—	—	—	—	—	—	—	—	—	—	1	1879 947
	Battery to Eng. Ground, w/426 Eng., except Sta. Wgn.	8	—	—	—	1	1	—	—	—	—	—	—	2770 433
8-01-7	STRAP, Battery Ground Cable													
	Battery Tray	6	1	1	1	1	1	—	—	—	—	—	—	6015 149
	CLIP, Battery Wiring, Starting Motor Mtg. Bolt	8	—	—	—	—	—	1	1	1	1	1	1	6015 636
8-01-11	BOLT, Battery Cable Clamp		2	2	2	2	2	2	2	2	2	2	2	1622 535
8-01-12	NUT, Battery Cable Clamp Bolt		2	2	2	2	2	2	2	2	2	2	2	1622 536
8-01-17	WIRING, Battery to Starter Motor to Starter Relay	6	1	1	1	—	—	—	—	—	—	—	—	2926 668
		8	1	1	1	—	—	—	—	—	—	—	—	2770 662
	Std., w/A903 3 Speed Manual Trans. Column Shift	6	—	—	—	1	1	—	—	—	—	—	—	2926 757
	Std., w/A904 Auto. Trans.	6	—	—	—	1	1	—	—	—	—	—	—	2926 757
	Heavy Duty, w/A727 Auto. Trans.	6	—	—	—	1	1	—	—	—	—	—	—	2926 757
	Heavy Duty, w/A745 3 Speed Manual Trans., Column Shift	6	—	—	—	1	1	—	—	—	—	—	—	2926 756
	w/318 Eng.	8	—	—	—	1	1	—	—	—	—	—	—	2926 083
	w/383 and 440 Eng.	8	—	—	—	1	1	—	—	—	—	—	—	2926 085
	Battery to Starter Motor Starter Relay Oil and Back-Up Lamp Switch, w/426 Eng., except Sta. Wgn., w/A833 4 Speed Manual Trans., up to Approx. Nov. 1968	8	—	—	—	1	1	—	—	—	—	—	—	2926 606
	After Approx. Nov. 1968	8	—	—	—	1	1	—	—	—	—	—	—	2983 161
	Battery to Starter Motor Starter Relay Oil and N/Safety Switch, w/426 Eng., except Sta. Wgn., w/A727 Auto. Trans., up to Approx Nov. 1968	8	—	—	—	1	1	—	—	—	—	—	—	2926 605
	After Approx. Nov. 1968	8	—	—	—	1	1	—	—	—	—	—	—	2983 160
	Battery to Starter to Starter Relay, w/3 Speed Manual Trans.	6	—	—	—	—	—	1	—	—	—	—	—	2926 742
	Std, w/A904 Auto. Trans.	6	—	—	—	—	—	1	—	—	—	—	—	2926 479
	Heavy Duty, w/A727 Auto. Trans.	6	—	—	—	—	—	1	—	—	—	—	—	2926 479
	Up to Approx. May 1, 1968	8	—	—	—	—	—	1	1	1	1	1	1	2926 797
	After Approx. May 1, 1969	8	—	—	—	—	—	1	1	1	1	1	1	2983 499
	w/Auto. Trans. Canada	6	—	—	—	—	—	1	—	—	—	—	—	2926 742
	w/o Auto. Trans. Canada	6	—	—	—	—	—	1	—	—	—	—	—	2926 479
8-01-23	SCREW AND WASHER, Eng. to Body Ground Cable	6	1	1	1	—	—	—	—	—	—	—	—	6025 393
	V, B except 383 Eng., L except 383 Eng.	8	1	1	1	—	—	—	—	—	—	—	—	6026 919
	w/383 Eng.	8	—	1	1	—	—	—	—	—	—	—	—	6025 393
	Eng. End	6	—	—	—	1	1	—	—	—	—	—	—	6025 393
	Eng. End, w/318 Eng.	8	—	—	—	1	1	—	—	—	—	—	—	6026 919
	Eng. End, except 318 and 426 Eng.	8	—	—	—	1	1	—	—	—	—	—	—	6025 393
	Eng. End, except 318 Eng.		—	—	—	—	—	1	1	—	—	—	—	6025 393
	Eng. End.		—	—	—	—	—	—	1	1	1	1	—	6025 393
8-05-0 DOME LAMP AND SWITCH														
8-05-2	LAMP, Dome and Reading, except Cv. Cp., up to Approx. March 24, 1969		—	—	—	—	—	—	1	1	1	1	—	2926 452

TYPE LETTERS Indicates

B - Barracuda

V - Valiant
L - DartR - Belvedere
W - CoronetP - Plymouth
D - DodgeC - Chrysler
Y - Imperial

AR Indicates use as required.

Indicates parts not listed in any previous parts book.

Numerals in parentheses () refer to notes.

★ Indicates change or addition.

Printed in U.S.A.
January 1971

CODE	PART NAME	ENG. TYPE OR CU.IN.	V	B	L	R	W	P	D	C	C	C	Y	PART NUMBER
			1-2	1-2	1-2	1-2	1-2	1-2	1-2	1	2	3	1	
8-05-0 DOME LAMP AND SWITCH Cont'd														
8-05-2	LAMP Cont'd													
	Except Cv. Cp., After approx. March 24, 1969		—	—	—	—	—	—	1	1	1	1	—	2947 928
	up to approx. March 24, 1969		—	—	—	—	—	—	—	—	—	—	1	2926 452
	after approx. March 24, 1969		—	—	—	—	—	—	—	—	—	—	—	2947 928
8-05-6	HOUSING, Dome Lamp		1	—	—	—	—	—	—	—	—	—	—	2292 994
	2 D. H.T.		—	1	—	—	—	—	—	—	—	—	—	2292 994
	except Cv. Cp.		—	—	1	1	1	—	—	—	—	—	—	2292 994
	HOUSING, CLIP and TERMINAL													
	Rr., Sta. Wgn		—	—	—	1	1	—	—	—	—	—	—	2926 129
	HOUSING and SWITCH, Rr. Sta. Wgn.		—	—	—	—	—	1	1	1	—	—	—	2161 308
8-05-8	BEZEL and LENS, Roof Dome Lamp, Rear, Sta. Wgn.		—	—	—	1	1	1	1	—	—	—	—	2161 307
8-05-10	GASKET, Dome Lamp, Rear, Sta. Wgn.		—	—	—	—	—	1	1	1	—	—	—	2589 097
8-05-11	RETAINER, Dome Lamp Switch Mtg.		1	1	—	—	—	—	—	—	—	—	—	1887 604
8-05-12	SOCKET, Dome Lamp, B 2D. H.T.		1	1	—	—	—	—	—	—	—	—	—	1704 875
	except Cv. Cp.		—	—	1	1	1	—	—	—	—	—	—	1704 875
8-05-14	SWITCH, Dome Lamp		1	1	1	—	—	—	—	—	—	—	—	2809 087
8-05-16	KNOB, Dome Lamp Switch		1	1	—	—	—	—	—	—	—	—	—	2820 135
			—	—	1	—	—	—	—	—	—	—	—	2770 584
8-05-20	BEZEL, Dome Lamp Switch Mtg.		—	—	1	—	—	—	—	—	—	—	—	2580 772
8-05-23	LENS, Dome Lamp		1	—	—	—	—	—	—	—	—	—	—	2292 995
	2 D. H.T.		—	1	—	—	—	—	—	—	—	—	—	2292 995
	except Cv. Cp.		—	—	1	1	1	—	—	—	—	—	—	2292 995
8-05-28	BRACKET, Dome Lamp Mtg., 2 D., Sp. 20 H.T., 4 D. and 4 D. H.T. 4D. and 4D.H.T.		—	—	—	—	—	1	—	—	—	—	—	2947 535
	Sta. Wgn.		—	—	—	—	—	—	1	1	1	1	1	2947 535
	Dome Lamp Mtg., Rear, Sta. Wgn.		—	—	—	—	—	1	1	1	—	—	—	2926 552
	Dome Lamp Mtg., to Roof Bow, 2D.H.T., C-E, C-L		—	—	—	—	—	1	1	1	—	—	1	2086 597
8-05-31	CONTACT Socket		AR	AR	AR	AR	AR	AR	AR	AR	AR	AR	AR	2947 534
8-05-32	CORE, Dome Lamp Socket, Rear, Sta. Wgn.		—	—	—	1	1	1	1	1	—	—	—	2256 966
			—	—	—	1	1	1	1	1	—	—	—	2161 316
8-11-0 QUARTER OR COURTESY LAMP														
8-11-2	LAMP, Pocket Panel Courtesy, Cv. Cp.		—	2	2	—	—	—	—	—	—	—	—	2822 471
	Courtesy		—	—	—	—	—	1	1	—	—	—	—	2947 493
	Arm Rest Switch, Lt. Door		—	—	—	—	—	—	—	—	—	—	1	2926 574
8-11-6	SWITCH, w/COVER, Arm Rest Courtesy Lamp		—	—	—	—	—	—	—	—	—	—	2	2926 601
8-11-8	SOCKET, Pocket Panel Lamp, Cv. Cp.		—	2	2	—	—	—	—	—	—	—	—	1314 619
	Cv. Cp.		—	—	—	2	2	—	—	—	—	—	—	2096 648
	Cv. Cp., C-E		—	—	—	—	—	2	2	2	2	—	—	2426 141
	Console Courtesy Lamp, 2 D. H.T. and Cv. Cp., R-P, R-S, W-P, D-M, D-H, C-E		—	—	—	2	2	—	2	2	—	2	—	2426 141
	R-M, W-M, W-P Charger W-S, P-H		—	—	—	2	2	—	—	2	—	—	—	2426 141
	2 D. H.T. and Cv. Cp., C-E		—	—	—	—	—	—	—	2	—	—	—	1314 619
	Arm Rest, Switch Lamp, 2 D. H.T., 4 D. w/Power Windows, 4 D. H.T., Lt. Door		—	—	—	—	—	—	—	—	—	—	1	1314 619
8-11-11	NUT, Console Courtesy Lamp Mtg., 2 D. H.T. and Cv. Cp., R-P, R-S, W-P, P-H, D-M, D-H, C-E, C-L		—	—	—	4	4	4	4	4	—	—	—	6027 630
	R-M, W-M, W-P Charger, W-S, C-H 2 D.H.T.		—	—	—	4	4	—	—	—	4	4	—	6027 630
	and 4 D. H.T.		—	—	—	4	4	—	—	—	4	4	—	6027 630

TYPE LETTERS Indicates

B - Barracuda

V - Valiant
L - DartR - Belvedere
W - CoronetP - Plymouth
D - DodgeC - Chrysler
Y - Imperial

AR Indicates use as required.

Indicates parts not listed in any previous parts book.

Numerals in parentheses () refer to notes.

★ Indicates change or addition.

Printed in U.S.A.
January 1971

CODE	PART NAME	ENG. TYPE OR CU.IN.	V	B	L	R	W	P	D	C	C	C	Y	PART NUMBER
			1-2	1-2	1-2	1-2	1-2	1-2	1-2	1	2	3	1	
8-11-0 QUARTER OR COURTESY LAMP Cont'd														
8-11-11	NUT Cont'd													
	Courtesy Lamp Mtg.							2	2					1839 995
	U-NUT, Arm Rest Switch Lamp Mtg. Brkt. Mtg., Lt Door												2	6025 502
8-11-12	LENS, Qtr. Courtesy Lamp, Sp. 2 D. H.T.		2											2822 184
	Qtr. Arm Rest Courtesy Lamp Ret., Cv. Cp.							1	1	1	1			2879 246-7
	Rr. Console Lamp, C-E 2 D. H.T. and Cv. Cp., C-H 2 D. H.T.									1	1	1		2631 727
	Door Courtesy Lamp, 2 D. H.T. and 4 D.H.T.												2	2572 775
	Reading and courtesy lamp												2	2947 716
8-11-14	BASE, Qtr. Courtesy Lamp, Sp. 2 D.H.T.		2											2822 564
8-11-16	BEZEL, LENS and RETAINER, Qtr. Courtesy Lamp, Sp. 2 D. H.T.		2											2822 185
	Courtesy Lamp, w/Seal							1	1					2947 845
	BEZEL, Console Courtesy Lamp, R-M, R-P 2 D. H.T. and Cv. Cp., R-S, W-M, W-H 2 D. H.T., W-P except 4 D. and Sta. Wgn., W-S, P-H 2 D. H.T., Sp. 2 D. H.T. and Cv. Cp., D-M 2 D. H.T. and Cv. Cp., C-E 2 D. H.T. and Cv. Cp., C-H 2 D. H.T. and 4 D. H.T.					2	2	2	2	2	2	2		2572 521
	Qtr. Arm Rest Courtesy Lamp Courtesy Lamp Lens, Cv. Cp., C-E Door Courtesy Lamp, 2 D. H.T. and 4 D. H.T.							2	2	2	2			2879 258
	Backlite Courtesy Lamp, 2 D.H.T. and 4 D.H.T.												2	2572 776
8-11-18	CONTACT, Socket	AR	AR	AR	AR	AR	AR	AR	AR	AR	AR	AR	AR	2256 966
8-11-21	SCREW and WASHER, Arm Rest Switch Lamp Mtg. Brkt. Mtg., Lt Door												2	6023 411
	SCREW, Arm Rest Switch Lamp Mtg. Screw, Back Lite Courtesy Lamp Mtg., 2 D. H.T. and 4 D. H.T.												2	6027 962
													4	9428 812
8-11-25	BRACKET, Qtr. Arm Rest Courtesy Lamp Ret., Cv. Cp., C-E							1	1	1	1			2878 704-5
8-11-28	CORE, Courtesy Lamp Socket, except 4 D.												2	2161 316
	Backlite Courtesy Lamp, 2 D.H.T. and 4 D.H.T.												2	2161 316
8-11-29	CONTACT, INSULATOR and SPRING PACKAGE, Pocket Panel Lamp Socket, Cv. Cp				2	2								2584 972

8-12-0 AUTOMATIC DOOR LAMP SWITCH

8-12-2	SWITCH, Frt. Door Auto. Lamp, w/o Headlamp on Warning Lamp	2	2	2	2	2	2							2822 592
	Frt. Door Auto. Lamp, w/Headlamp on Warning Lamp	2	2	2	2	2	2							2889 084
	Frt. Door Auto. Lamp							2	2	2	2	2		2889 084
	Rr. Door Auto. Lamp				2	2	2							2822 592
	Rr. Door Auto. Lamp								2	2	2			2889 084
8-12-6	BRACKET, Rr. Door Auto. Lamp Switch Mtg.				1	1								2631 718-9

TYPE LETTERS Indicates

B - Barracuda

V - Valiant
L - DartR - Belvedere
W - CoronetP - Plymouth
D - DodgeC - Chrysler
Y - Imperial

AR Indicates use as required.

Indicates parts not listed in any previous parts book.

Numerals in parentheses () refer to notes.

★ Indicates change or addition.

Printed in U.S.A.
January 1971

CODE	PART NAME	ENG. TYPE OR CU.IN.	V	B	L	R	W	P	D	C	C	C	Y	PART NUMBER
			1-2	1-2	1-2	1-2	1-2	1-2	1-2	1	2	3	1	
8-13-0 TRUNK LAMP														
8-13-2	SWITCH		1	1	1	—	—	—	—	—	—	—	—	2580 611
	Except Sta. Wgn. w/SOCKET and Cable, except Sta. Wgn.		—	—	—	1	1	—	—	—	—	—	—	2580 611
	C-E, C-L		—	—	—	—	—	1	1	—	—	—	—	2947 286
	C-E, C-L		—	—	—	—	—	—	—	1	1	1	1	2947 286
8-13-3	SOCKET, w/BRACKET		1	1	1	—	—	—	—	—	—	—	—	2096 857
	Except Sta. Wgn.		—	—	—	1	1	—	—	—	—	—	—	2096 857
8-13-4	CONTACT, INSULATOR and SPRING PACKAGE, Socket		AR	AR	AR	—	—	—	—	—	—	—	—	2584 972
8-13-5	INSULATOR, Socket		1	1	1	—	—	—	—	—	—	—	—	1345 803
8-14-0 SIDE MARKER LAMP AND X-PRESS SUPER LIGHT														
8-14-1	LAMP, X-Press Super Light, Complete w/PLATE, X-Press Super Light SCREW and WASHER, Att.		—	—	—	—	—	—	1	—	—	—	—	2949 174
			—	—	—	—	—	—	1	—	—	—	—	2949 388
			—	—	—	—	—	—	AR	—	—	—	—	6027 489
8-14-2	BRACKET, X-Press Super Light		—	—	—	—	—	—	2	—	—	—	—	2949 168
8-14-9	BEZEL and REFLECTOR PACKAGE, Fender Side Marker Mtg.		2	—	2	—	2	—	—	2	2	2	—	2932 926
			—	2	—	—	—	2	—	—	—	—	—	2932 922
			—	—	—	2	—	—	—	—	—	—	—	2932 923
	D-K, D-T, D-L, D-M, D-H except Sta. Wgn.		—	—	—	—	—	—	2	—	—	—	—	2932 925
	Sta. Wgn., D-H		—	—	—	—	—	—	2	—	—	—	—	2932 924
	Qtr. Panel side Marker Mtg.		2	—	—	—	—	—	—	—	—	—	—	3420 607
	Amber, Exp.		2	2	—	—	—	—	—	—	—	—	—	3420 601
			—	2	—	—	—	—	—	—	—	—	—	2932 928
			—	—	2	—	—	—	—	—	—	—	—	2932 933
	Amber, Exp.		—	—	2	—	—	—	—	—	—	—	—	2932 996
	Amber, Exp. Except Sta. Wgn.		—	—	—	2	2	—	—	—	—	—	—	3420 601
	Except Sta. Wgn.		—	—	—	2	2	—	—	—	—	—	—	2932 928
	Sta. Wgn., W-K, W-L, W-H, D-L		—	—	—	2	2	—	2	—	—	—	—	2932 932
	Except Sta. Wgn.		—	—	—	—	—	—	2	—	—	—	—	3420 607
	Sta. Wgn.		—	—	—	—	—	—	2	—	—	—	—	2932 933
	Sta. Wgn., W-P, D-H, up to approx. Jan. 1, 1969		—	—	—	—	2	—	2	—	—	—	—	2932 929
	Sta. Wgn., W-P, D-H, after approx. Jan. 1, 1969		—	—	—	—	2	—	2	—	—	—	—	3420 606
	C-E, C-L		—	—	—	—	—	—	—	1	1	1	1	2932 930-1
	BEZEL, X-Press Super Light Switch Mtg. Cv. Cp. and Sta. Wgn. w/Rr. Window Defogger, 2 D. H.T., 4 D. and 4 D. H.T.		—	—	—	—	—	—	1	—	—	—	—	2947 181
			—	—	—	—	—	—	1	—	—	—	—	2947 181
	X-Press Super Light, D-K, D-T, D-H, D-M		—	—	—	—	—	—	1	—	—	—	—	2949 164
	X-Press Super Light, D-H		—	—	—	—	—	—	1	—	—	—	—	2949 166
8-14-11	J-NUT, Side Marker Reflector Bezel Mtg. Sta. Wgn.		—	—	4	—	—	—	—	—	—	—	—	6023 481
			—	—	—	4	4	4	4	—	—	—	—	6023 481
	NUT, X-Press Super Light Att. Plate		—	—	—	—	—	—	2	—	—	—	—	6027 944
	NUT, X-Press Super Light Att. Plate, Snap-Collar		—	—	—	—	—	—	2	—	—	—	—	6027 948
8-14-15	SPRING, X-Press Super Light Adj.		—	—	—	—	—	—	1	—	—	—	—	2949 173
8-14-17	PLATE, X-Press Super Light Frame Mtg.		—	—	—	—	—	—	8	—	—	—	—	2949 187
8-14-18	BOOT, X-Press Super Light		—	—	—	—	—	—	1	—	—	—	—	2949 254
8-14-19	REFLECTOR, Frt. Fender Side Marker, up to approx. Jan. 1969 after approx. Jan. 1969		2	2	2	2	2	—	2	—	—	—	—	2930 744
			2	2	2	2	2	—	2	—	—	—	—	2930 960

TYPE LETTERS Indicates

B - Barracuda

V - Valiant
L - DartR - Belvedere
W - CoronetP - Plymouth
D - DodgeC - Chrysler
Y - Imperial

AR Indicates use as required.

≠ Indicates parts not listed in any previous parts book.

Numerals in parentheses () refer to notes.

★ Indicates change or addition.

Printed in U.S.A.
January 1971

CODE	PART NAME	ENG. TYPE OR CU.IN.	V	B	L	R	W	P	D	C	C	C	Y	PART NUMBER	
			1-2	1-2	1-2	1-2	1-2	1-2	1-2	1	2	3	1		
8-14-0 SIDE MARKER LAMP AND X-PRESS SUPER LIGHT Cont'd															
8-14-19	REFLECTOR Cont'd														
	w/o Cornering Lamp, up to approx. Jan. 1969		—	—	—	—	—	—	2	—	2	2	2	—	2930 744
	w/o Cornering Lamp, after approx. Jan. 1969		—	—	—	—	—	—	2	—	2	2	2	—	2930 960
	Qtr. Panel Side Marker, C-E, C-L, up to approx. Jan. 1969		2	2	—	—	—	—	—	2	2	2	2	—	2930 746
	C-E, C-L, after approx. Jan. 1969		2	2	—	—	—	—	—	2	2	2	2	—	2930 958
	Amber, Exp, up to approx. Jan. 1969		2	2	—	—	—	—	—	—	—	—	—	—	2930 744
	Amber, Exp., after approx. Jan. 1969		2	2	—	—	—	—	—	—	—	—	—	—	2930 960
	Amber, exp.		—	—	2	—	—	—	—	—	—	—	—	—	2930 963
	Sta. Wgn.		—	—	—	2	2	2	2	—	—	—	—	—	2930 979
	Amber, Exp., except Sta. Wgn. up to approx. Jan. 1969		—	—	—	2	2	—	—	—	—	—	—	—	2930 963
	Amber, Exp., except Sta. Wgn. after approx. Jan. 1969		—	—	—	2	2	—	—	—	—	—	—	—	2930 744
	except Sta. Wgn., up to approx. Jan. 1969		—	—	—	2	2	—	—	—	—	—	—	—	2930 960
	except Sta. Wgn., after approx. Jan. 1969		—	—	—	2	2	2	—	—	—	—	—	—	2930 746
	1969		—	—	—	2	2	2	—	—	—	—	—	—	2930 958
8-14-23	SWITCH, X-Press Super Light		—	—	—	—	—	—	—	1	—	—	—	—	2947 764
	CAP, Switch Mtg., w/X-Press Super Light		—	—	—	—	—	—	—	14	—	—	—	—	6027 455

8-15-0 CHASSIS AND BODY WIRING

8-15-2	WIRING, Headlamp and Eng. Compartment		6	1	—	1	—	—	—	—	—	—	—	—	2926 504
			8	1	—	—	—	—	—	—	—	—	—	—	2926 505
			6	—	1	—	—	—	—	—	—	—	—	—	2926 506
	Except 383 Eng.		8	—	1	—	—	—	—	—	—	—	—	—	2926 509
	w/383 Eng.		8	—	1	—	—	—	—	—	—	—	—	—	2926 506
	Except 383 Eng.		8	—	—	1	—	—	—	—	—	—	—	—	2926 505
	w/383 Eng.		8	—	—	1	—	—	—	—	—	—	—	—	2926 504
			8	—	—	—	—	—	—	—	—	—	—	—	2926 864
	Eng. Comp't, w/o 60 Amp Alternator		6	—	—	—	1	1	—	—	—	—	—	—	2926 633
	w/60 Amp Alternator		—	—	—	—	1	1	—	—	—	—	—	—	2926 865
	w/65 Amp. Compact Leece-Neville Alternator		—	—	—	—	1	1	—	—	—	—	—	—	2926 789
	w/318 Eng. w/o 60 Amp. Alternator		8	—	—	—	1	1	—	—	—	—	—	—	2926 393
	w/383 and 440 Eng., w/o 60 Amp Alternator		8	—	—	—	1	1	—	—	—	—	—	—	2926 391
	w/426 Eng., except Sta. Wgn.		8	—	—	—	1	1	—	—	—	—	—	—	2926091
	w/60 Amp. Alternator		—	—	—	—	—	—	1	1	—	—	—	—	2926 866
	w/o 60 Amp. Alternator		6	—	—	—	—	—	1	—	—	—	—	—	2926 466
	w/318 Eng., w/o 60 Amp. Alternator		8	—	—	—	—	—	1	1	—	—	—	—	2926467
	except 318 Eng., w/o 60 Amp Alternator		8	—	—	—	—	—	1	1	—	—	—	—	2926 468
	w/65 Amp. Compact Leece-Neville Alternator		—	—	—	—	—	—	1	1	—	—	—	—	2926 470
	w/60 Amp. L/N Altr. Canada		6	—	—	—	—	—	—	1	—	—	—	—	2926 466
			8	—	—	—	—	—	—	—	1	1	1	—	2926 469
	Auto. Trans.		—	—	—	—	—	—	—	—	—	—	—	—	2926 502
	Back-Up Lamp Switch Eng. Comp't., w/383 and 440 Eng., w/4 Speed Manual Trans., up to Nov. 1968		8	—	—	—	1	1	—	—	—	—	—	—	2926 390
	Headlamp, w-P Charger, W-S Charger R/T		—	—	—	—	—	—	—	—	—	—	—	—	2983 438
	Headlamp to Bulkhead, W/except Charger and Charger R/T		—	—	—	—	1	1	—	—	—	—	—	—	2926 492

TYPE LETTERS Indicates

B - Barracuda

V - Valiant
L - DartR - Belvedere
W - CoronetP - Plymouth
D - DodgeC - Chrysler
Y - Imperial

AR Indicates use as required.

Indicates parts not listed in any previous parts book.

Numerals in parentheses () refer to notes.

★ Indicates change or addition.

Printed in U.S.A.

January 1971

CODE	PART NAME	ENG. TYPE OR CU.IN.	V	B	L	R	W	P	D	C	C	C	Y	PART NUMBER
			1-2	1-2	1-2	1-2	1-2	1-2	1-2	1	2	3	1	
8-15-0 CHASSIS AND BODY WIRING Cont'd														
8-15-2	WIRING Cont'd													
	W-P Charger, W-S Charger R/T						1							2926 510
								1	1	1	1	1		2983 512
8-15-3	BLOCK, Fuse		1	1	1	1	1							2586 760
								1	1	1	1	1		2926 253
													1	2926 251
	SCREW, Mtg.		1	1	1	1	1							6026 394
	NUT, Fuse Block and Bulkhead Connector Mtg. Screw							1	1	1	1	1	1	6028 145
8-15-4	WIRING, Body, up to approx. Dec. 15, 1968		1											2926 143
	after approx. Dec. 15, 1968		1											2983 192
	2 D.H.T.			1										2926 104
	Sp. 2 D.H.T.			1										2926 106
	Cv. Cp			1										2926 105
	except Cv. Cp.				1									2926 859
	Cv. Cp.				1									2926 851
	2 D., 2 D.H.T. and 4 D., up to approx. Dec. 15, 1968					1								2926 231
	after approx. Dec. 15, 1968					1								2983 193
	Sta. Wgn., w/o Power Tailgate Window, up to approx. Dec. 15, 1968					1	1							2926 205
	after approx. Dec. 15, 1968					1	1							2983 199
	Sta. Wgn., w/Tailgate Window Lift, w/Power Tailgate Window						1	1						2983 200
	2 D., 2 D. H.T. and 4 D., W-K, Sta. Wgn.								1	1	1	1		2925 622
	W-T, W-L, W-M, W-H, up to approx. Dec. 15, 1968							1						2926 854
	after approx. Dec. 15, 1968							1						2983 258
	2 D. H.T. and 4 D., W-P, W-S							1						2926 852
	W-P Charger, W-S Charger R/T							1						2926 367
	2 D. and 4 D., P-K, P-T, P-E, P-L								1					2983 201
	2 D.H.T., 4 D. and 4 D. H.T., P-M, P-H, P-P								1					2926 786
	Sta. Wgn.								1	1	1			2926 705
	except Cv. Cp. and Sta. Wgn. up to approx. Dec. 15, 1968								1					2926 856
	After approx. Dec. 15, 1968								1					2983 204
	C-E except Cv. Cp., C-L, up to approx. Dec. 15, 1968									1				2926 857
	after approx. Dec. 15, 1968									1				2983 206
	Except Cv. Cp., up to approx. Dec. 15, 1968										1			2926 762
	after approx. Dec. 15, 1968										1			2983 208
	up to approx. Dec. 15, 1968											1		2926 400
	after approx. Dec. 15, 1968												1	2983 210
	up to approx. Dec. 16, 1968													2926 188
	After Approx. Dec. 16, 1968													2983 288
	to Inst. Panel Jumper													2983 362
	Folding Top Courtesy Lamp and Body, Cv. Cp., up to approx. Dec. 15, 1968						1							2926 710
	after approx. Dec. 15, 1968						1							2983 194
	Cv. Cp							1						2926 853
	Cv. Cp., up to approx. Dec. 15, 1968							1						2926 412
	after approx. Dec. 15, 1968							1						2983 203
	Cv. Cp., up to approx. Dec. 15, 1968								1					2926 855
	after approx. Dec. 15, 1968								1					2983 205

TYPE LETTERS Indicates

B - Barracuda

V - Valiant
L - DartR - Belvedere
W - CoronetP - Plymouth
D - DodgeC - Chrysler
Y - Imperial

AR Indicates use as required.

Indicates parts not listed in any previous parts book.

Numerals in parentheses () refer to notes.

★ Indicates change or addition.

Printed in U.S.A.
January 1971

CODE	PART NAME	ENG. TYPE OR CU.IN.	V	B	L	R	W	P	D	C	C	C	Y	PART NUMBER
			1-2	1-2	1-2	1-2	1-2	1-2	1-2	1	2	3	1	
8-15-0 CHASSIS AND BODY WIRING Cont'd														
8-15-4	WIRING Cont'd													
	Cv. Cp., C-E, up to approx. Dec. 15, 1968									1				2926 858
	1968									1				2983 207
	after approx. Dec. 15, 1968										1			2926 763
	Cv. Cp., up to approx. Dec. 15, 1968										1			2983 209
	after Dec. 15, 1968													2926 100
	Console, w/Tachometer, L-P, L-S	8			1									
	Console, on Console, w/Auto Trans.													
	R-M, R-P except Sta. Wgn., R-S, W-M,													
	W-H 2 D.H.T. Exp. only, W-P except Sta.													2926 365
	Wgn., W-S				1	1								
	Console, on Body, w/Auto. Trans.,													
	R-M, R-P except Sta. Wgn., R-S, W-M,													
	W-H 2 D. H.T. Exp. Only, W-P													2926366
	Except Sta. Wgn., W-S				1	1								2983 212
	Console, on Console, 2 D. H.T., D-H								1					
	Console, on Console P-H, D-M 2 D.H.T. and Cv. Cp.							1	1					2926 365
	Console, P-H, D-M 2 D.H.T. and Cv. Cp., D-H 2 D.H.T.							1	1					2983 351
	Console, on Console, 2 D.H.T., D-H, up to approx. Nov. 1, 1968								1					2983 212
	Console, on Console, 2 D.H.T., D-H, after approx. Nov. 1, 1968								1					2983 352
	Console, on Console, C-E 2 D. H.T. and Cv. Cp., C-H 2 D.H.T.									1	1	1		2926 655
	Rr. Qtr. and "C" Pillar Lamp, 2 D.H.T.												1	2926 195
8-15-7	FUSE WIRE, Alternator Voltage Regulator		AR	AR	AR	AR	AR	AR	AR	AR	AR	AR	AR	2275 242
8-15-13	COVER, Fuse Block Base		1	1	1									2291 846
8-15-17	WIRING, Brake System Warning Lamp Switch		1	1	1	1	1	1	1	1	1	1	1	2822 623
8-15-23	WIRING, Ignition Switch Lamp, w/Time Delay							1	1					2926 111
8-15-25	RETAINER, Cowl Side Wiring Conduit Att.					2	2							6001 419
8-15-27	CABLE, Fusible Link		1	1	1									2822 229
	w/60 Amp. Alternator					1	1							2822 692
	w/o 60 Amp. Alternator					1	1							2631 828
	w/60 Amp. Alternator							1	1					2889 419
	w/o 60 Amp. Alternator							1	1					2926 475
										1	1	1	1	2926 475
8-15-32	CLIP and BUSS BAR, Fuse Block Fuse, 2 Way		2	2	2	2	2							2291 842
	CLIP, Comp't. Wiring Locator		AR	AR	AR	AR	AR							6015 288
	CLIP and TERMINAL, Fuse Block		1	1	1	1	1	1	1	1	1	1	1	2219 837
	CLIP, Alternator Wiring, w/Fuel Line, w/65 Amp Compact Leece Neville alternator	6				1	1	1						2765032
	CLIP, Fuse Block Ret.							2	2	2	2	2	2	2983 634
	CLIP and BUSS BAR, Fuse Block							2	2	2	2	2	1	2926 247
	CLIP and BUSS BAR, Fuse Block, 2 Way												1	2926 649
8-15-33	SCREW, Headlamp and Eng. Comp't Wiring Clip Mtg., Rr. of Alternator, B except 383 Eng., L except 383 Eng., R w/318 Eng., W w/318 Eng.	8	1	1	1	1	1						1	6022 381
	w/318 Eng.	8						1	1					6022 381
8-15-35	WIRING, Transistor Regulator					1	1	1	1					2926 896

TYPE LETTERS Indicates

B - Barracuda

V - Valiant
L - Dart

R - Belvedere
W - Coronet

P - Plymouth
D - Dodge

C - Chrysler
Y - Imperial

AR Indicates use as required.

Indicates parts not listed in any previous parts book.

Numerals in parentheses () refer to notes.

★ Indicates change or addition.

Printed in U.S.A.
January 1971

CODE	PART NAME	ENG. TYPE OR CU.IN.	V	B	L	R	W	P	D	C	C	C	Y	PART NUMBER
			1-2	1-2	1-2	1-2	1-2	1-2	1-2	1	2	3	1	
8-15-40	WIRING, Auto. Headlamp Sentinel and Dimmer	8	—	—	—	—	—	—	—	1	1	1	1	2926 235
8-15-52	WIRING, Rr. Lamp, Sta. Wgn.		—	—	—	—	—	1	1	1	—	—	—	2926 238
8-15-53	WIRING, Accessory Lamp, up to approx. Dec. 9, 1968		1	—	—	—	—	—	—	—	—	—	—	2926 768
	after approx. Dec. 9, 1968		1	—	—	—	—	—	—	—	—	—	—	2983 255
	up to approx. Oct. 15, 1968		—	1	—	—	—	—	—	—	—	—	—	2926 770
	after approx. Oct. 15, 1968		—	1	—	—	—	—	—	—	—	—	—	2983 254
	Map Lamp and Switch		—	—	1	—	—	—	—	—	—	—	—	2926 770
	Map Lamp, B except Cv. Cp., L Cv. Cp		1	1	1	—	—	—	—	—	—	—	—	2926 769
	Map Lamp and Ignition Switch Lamp, w/Time Delay		—	1	1	—	—	—	—	—	—	—	—	2926 771
	Map Lamp Switch and Socket, W-K, W-T, W-L, W-M, W-H w/o Time Delay, W-P except Charger, W-S except Charger R/T		—	—	—	1	1	—	—	—	—	—	—	2926 015
	Dome and Aft. Lamp, Sta. Wgn.		—	—	—	—	—	1	1	—	—	—	—	2889 564
	Sta. Wgn		—	—	—	—	—	—	—	1	—	—	—	2889 564
	Dome and Reading Lamp, 2 D.H.T. 4 D. and 4 D. H.T.		—	—	—	—	—	—	—	1	1	1	—	2926 407
	Map Lamp		—	—	—	—	—	—	—	1	1	1	—	2926 408
	Battery and Headlamp Switch Jumper		—	—	—	—	—	—	—	—	—	—	1	2926 409
	Dome Lamp, 4D., 4D.H.T. Crown Imperial Hardtop		—	—	—	—	—	—	—	—	—	—	1	2926 410
	Rr. Qtr. and Dome Lamp, 2D.H.T. Crown Imperial Hardtop		—	—	—	—	—	—	—	—	—	—	1	2983 175
	Rr. Courtesy Lamp, 4 D. H.T.		—	—	—	—	—	—	—	—	—	—	1	2983 647
8-15-54	WIRING, Inst. Lamp Resistance		—	—	—	—	—	—	—	—	—	—	1	2926 189
			—	—	—	—	—	—	—	—	—	—	1	2983 257
			—	—	—	—	—	—	—	—	—	—	1	2926 303
			—	—	—	—	—	—	—	—	—	—	1	2983 360

NOTES

TYPE LETTERS Indicates

B - Barracuda

V - Valiant
L - DartR - Belvedere
W - CoronetP - Plymouth
D - DodgeC - Chrysler
Y - Imperial

AR Indicates use as required.

Indicates parts not listed in any previous parts book.

Numerals in parentheses () refer to notes.

★ Indicates change or addition.

Printed in U.S.A.
January 1971

8-16-0 CABLE AND CONNECTIONS

CODE		Part No.
	Used on All Models as required.	
8-16-1	CONNECTOR and TERMINAL PACKAGE, Headlamp Cable	1879 609
	TERMINAL and INSULATOR PACKAGE, 8 Pole, Male	2495 224
	8 Pole, Male and Female	2448 822
	8 Pole, Male, Upper, Bulkhead Disconnect	2495 223
	8 Pole, Male, Lower, Bulkhead Disconnect	2495 224
	8 Pole, Female	2084 424
	Male and Female	2298 882
	Female, Miniature	2084 421
	Female, Miniature	2240 264
	Male, Miniature	2240 536
	Electric Vent Wing Motor Wiring	2495 239
	Window Lift Switch, 3 Way	2495 234
	Window Lift Switch, 5 Way, Imperial	2495 235
	Window Lift Switch, 5 Way, P,D,C	2584 954
	Window Lift Switch, 6 Way, w/Lockout Switch	2495 236
	Window Lift Switch, 6 Way, w/o Lockout Switch	2495 237
	Window Lift Switch, 10 Way	2584 843
	Power Vent Switch, 5 Way	2584 953
	Female, Turn Signal Switch Wiring	2495 541
	Male, Turn Signal Switch	2585 030
	Printed Circuit Board	2495 517
	Single Cable, Bullet Type	1843 444
	Seat Adjusting Switch, 6 Way	2584 842
	Air Conditioning Vacuum Switch	2584 841
	Bulkhead Disconnect, Middle	2586 590
	Window Lift Switch, 5 Way	2809 016
	Front Door Window Lift Switch, Left, 7 Way	2809 017
	Front Door Window Lift Switch, Right, 10 Way	2809 018
	Front Door Window Lift Switch, Left, 10 Way	2809 019
	Female, Windshield Wiper Switch	2809 039
	Female, Headlamp Switch, 5 Way	2809 038
	Female, Fusible Link	2809 037
	Map Lamp Take-Off Wiring	2809 036
	Auto Pilot, 4 Way	2809 035
	Windshield Wiper Switch, 4 Way	2809 034
	w/CABLE, Fuel Gauge Tank Unit	2230 985
8-16-3	CABLE, No. 8 Brown, 100 Foot Spool	2275 220
	No. 16 Gauge, Blue, w/Stripe	2421 455
	No. 12 Red, 100 Foot Spool	1752 491
	No. 14 Green, 100 Foot Spool	1752 490
	No. 16 Blue, 100 Foot Spool	1752 489
	No. 18 Yellow, 100 Foot Spool	1752 488
	No. 10 Gauge, Black	1752 492
	Wire and Spool, Triple Conductor, No. 14 Gauge, Red, Green and Black, 100 Foot Spool	2298 769
	Wire and Spool, Double Conductor, No. 14 Gauge, Green and Black, 100 Foot Spool	2298 770
8-16-4	TERMINAL, Female Side Type	1842 009
	Female, Printed Circuit Board Wiring	2291 259
	Female, Cold Crimp	2291 588
	Female, Printed Circuit Wiring	2258 118
	Female, K-Type	1819 836
	Female, Miniature Blade, Wiring	2580 061
	Male, w/CLIP, Fuse Block	2291 838
	Male Blade	1770 660
	Male Blade, Crimped K-Type	2427 545
	Wiring, 1.025" Long, 203 Hole Eyelet, No. 12 Wire	2290 069
	Wiring, 910" Long, Snap-On No. 8 Stud Spade, No. 12 Wire	2258 591
	Wiring, 1.36" Long, No. 6 Eyelet, No. 8 Cable	2258 590
	Wiring, 553" Long, EWL-Term, Block, No. 14 Wire	2427 529
	Wiring, 570" Long, for Nail Head Term Sending Unit, No. 18 Wire	2427 736
	Wiring, 1.625" Long, 47 Hole Eyelet, No. 6 Cable	2197 947
	Wiring, 697" Long, Female Hair Pin, No. 12 Wire	2427 848
	Wiring Fuse Clip	2290 207

TYPE LETTERS Indicates

B - Barracuda

V - Valiant

L - Dart

R - Belvedere

W - Coronet

P - Plymouth

D - Dodge

C - Chrysler

Y - Imperial

AR Indicates use as required.

≠ Indicates parts not listed in any previous parts book.

Numerals in parentheses () refer to notes.

★ Indicates change or addition.

Printed in U.S.A.

January 1971

8-16-0 CABLE AND CONNECTIONS Cont'd

CODE		PART NO.
8-16-4	TERMINAL Cont'd	
	Wiring, 083 Pin Female Type	2926 174
	w/INSULATOR and Cable, Glove Box Lamp, No. 16 Red	2257 443
	w/INSULATOR and CABLE, Glove Box Lamp, No. 14 Brown	2257 444
	Cable Connector	870 821
	Electrical Window Lift Safety Switch Wiring	903 895
	Printed Circuit Board Clip	2427 725
	Turn Signal Switch and Horn Wiring	2496 532
	Battery to Starter Cable	2197 945
	Ignition Coil Feed Cable	2496 541
	Block, Single Post	2771 917
	Qtr. Courtesy Lamp Bulb	2822 565
	Dome Lamp Wiring, Female	2889 434
	Dome Lamp Wiring, Male	2889 435
	Circuit Breaker Feed and Rr. Dome Lamp Hsg. Ground	2926 050
	A/C and Heater Control Lamp and Socket	1842 012
	Cluster Wiring Ground	2926 594
	Reading Lamp Ground Wire	2926 607
	Cluster Lamp Wiring	2926 617
	Wiring Fuse Clip	2926 722
	Body Wiring, 6 Way, Female, Imperial	2983239
	Body Wiring, 6 Way, Male, Imperial	2983 237
8-16-5	SLEEVE, Wiring Terminal, Black	1264 933
	Starting Motor Terminal	930 304
	Starting Motor Terminal	1188 502
8-16-6	INSULATOR, Alternator Battery Terminal	2291 093
	Printed Circuit Board Wiring Terminal, 5 Pole, Female	2291 258
	Printed Circuit Wiring Terminal	2258 651
	Headlamp Switch, 7 Pole, Female	2258 102
	Neutral Safety Cable Terminal	2497 701
	Back-Up Lamp Switch Wiring	2770 859
	A/Cond. and Heater Vacuum Control Switch Wiring, 3 Way	2857 754
	Terminal Wiring, 2 Way	2857 761
	Starter and Ignition Switch Wiring	2889 597
	Dome Lamp Wiring Terminal, 2 Way Female	2889 427
	Dome Lamp Wiring Terminal, 2 Way Male	2889 428
	Ignition Lamp, Time Delay Relay	2889 650
	Dome Lamp Wiring Terminal, Female	2889 542
	Dome Lamp Wiring Terminal, Male	2889 543
	Quarter Courtesy Lamp	2926 051
	Bulkhead Disconnect, 8 Pole, Upper	2427 191
	Bulkhead Disconnect, 8 Pole, Lower	2427 192
	Terminal Wiring, 8 Pole, Male, w/Center Ridge	2631 318
	Terminal Wiring, 8 Pole, Male, w/Upper Ridge	2631 319
	Terminal Wiring, 8 Pole, Male, w/Lower Ridge	2631 317
	Windshield Wiper Motor, w/Lower Ridge	2631 317
	Bulkhead Conn. Wiring Terminal, 4 Pole, Male, w/Lower Ridge on Lt. Side	2926 254
	Bulkhead Conn. Wiring Terminal, 4 Pole, Male, w/Lower Ridge on Rt. Side	2926 255
	Bulkhead Conn. Wiring Terminal, 8 Pole, Male, w/Upper Ridge	2926 256
	Bulkhead Conn. Wiring Terminal, 8 Pole, Male, w/Center Ridge	2926 257
	Bulkhead Conn. Wiring Terminal, 8 Pole, Male, w/Upper and Lower Ridge	2926 258
	Seat Adj. Wiring Terminal, 8 Way	2926 374
	w/Lift Switch Wiring Terminal, 5 Way	2926 172
	w/Lift Switch, Wiring Terminal, 10 Way	2926 171
	Power Vent Switch Terminal, 5 Way, Lt. Frt. Door	2926 204
8-16-8	CONNECTOR, 2 Way Polarized, Female	1842 003
	Single Cable	611 898
	Back-Up Lamp Switch Wiring, w/Manual Trans.	2631 340
	Self Stripping	2926 651
8-16-10	PLUG, Cable Connector, No. 12 Cable	665 151
	w/WIRING, Molded 2 Pole, Male and Female	2233 028
	w/WIRING, Molded 4 Pole, 2 Male and 2 Female	2497 346
	w/WIRING, Molded 2 Pole, Male and Female	2231 119

TYPE LETTERS Indicates	V - Valiant	R - Belvedere	P - Plymouth	C - Chrysler
B - Barracuda	L - Dart	W - Coronet	D - Dodge	Y - Imperial

AR Indicates use as required.

Numerals in parentheses () refer to notes.

Printed in U.S.A.

Indicates parts not listed in any previous parts book.

★ Indicates change or addition.

January 1971

CODE	PART NAME	ENG. TYPE OR CU.IN.	V	B	L	R	W	P	D	C	C	C	Y	PART NUMBER
			1-2	1-2	1-2	1-2	1-2	1-2	1-2	1	2	3	1	
18-17-0 FUSES Cont'd														
8-17-23	FUSE HOLDER, Auto. Headlamp Sentinel and Dimmer Wiring		—	—	—	—	—	—	—	1	1	1	1	2257 682
8-17-30	CIRCUIT BREAKER, w/Mtg. BRACKET w/o Buss Bar, 30 Amp.		—	—	—	1	1	—	—	—	—	—	—	3004 122
	30 Amp.		—	—	—	—	—	1	1	1	1	1	1	2926 324
	15 Amp. w/Power Door Locks		—	—	—	—	—	1	1	1	1	1	1	2926 325
	5 Amp., up to approx. Dec. 1968		—	—	—	—	—	—	—	—	1	—	1	2926 567
	5 Amp., after approx. Dec. 1968		—	—	—	—	—	—	—	—	1	—	1	2983 415
8-19-0 INSTRUMENT PANEL WIRING														
8-19-3	WIRING, Instrument Panel		1	—	—	—	—	—	—	—	—	—	—	2926 110
			—	1	—	—	—	—	—	—	—	—	—	2926 158
			—	—	1	—	—	—	—	—	—	—	—	2926 156
	W-K, W-T, W-L, W-H, W-P except Charger, W-S 2 D. H.T. and Cv. Cp. w/o R/T Rallye Instrument Panel		—	—	—	1	1	—	—	—	—	—	—	2926 226
	W-M w/383 and 426 Eng., W-P Charger, W-S Charger R/T, W-S 2 D. H.T. and Cv. Cp. w/R/T Rallye Instrument Panel		—	—	—	—	1	—	—	—	—	—	—	2926 268
			—	—	—	—	—	1	—	—	—	—	—	2983 416
	w/x-Press Super Light		—	—	—	—	—	—	1	—	—	—	—	2983 659
	w/o x-Press Super Light		—	—	—	—	—	—	1	—	—	—	—	2983 658
	w/Headlamp Sentinel, up to approx. Jan. 1, 1969		—	—	—	—	—	—	—	1	1	1	—	2983 219
	after approx Jan. 1, 1969		—	—	—	—	—	—	—	1	1	1	—	2983 399
	w/o Headlamp Sentinel		—	—	—	—	—	—	—	1	—	1	—	2983 660
	w/o Headlamp Sentinel, up to approx. Jan. 1, 1969		—	—	—	—	—	—	—	—	1	—	—	2983 220
	after approx. Jan. 1, 1969		—	—	—	—	—	—	—	—	1	—	—	2983 400
	w/Headlamp Sentinel		—	—	—	—	—	—	—	—	—	—	1	2926 880
	w/o Headlamp Sentinel		—	—	—	—	—	—	—	—	—	—	1	2926 881
	to Body Jumper		—	—	—	—	—	—	—	—	—	—	1	2983 361
	Lamp on Reminder Buzzer, on Inst. Panel		—	—	1	—	—	—	—	—	—	—	—	2926 841
			—	—	—	1	1	—	—	—	—	—	—	2926 836
			—	—	—	—	—	1	1	—	—	—	—	2926 887
	Instrument Warning Lamp and Ammeter Cluster Lamp		—	—	—	—	—	—	—	1	1	1	—	2926 134
			—	—	—	—	—	—	—	—	—	—	1	2926 603
8-19-7	WIRING EXTENSION, Headlamp Switch 3 Way		—	—	—	—	—	AR	AR	AR	AR	AR	—	2231 105
8-19-15	BOARD, Printed Circuit		1	—	—	—	—	—	—	—	—	—	—	2771 222
			—	1	—	—	—	—	—	—	—	—	—	2771 651-2
		Rt.	—	—	1	—	—	—	—	—	—	—	—	2771 151
		Lt.	—	—	1	—	—	—	—	—	—	—	—	2771 147
			—	—	—	1	—	—	—	—	—	—	—	2857 014
	W-K, W-T, W-L, W-H, W-P except Charger, W-S 2 D. H.T. and Cv. Cp. w/o Rallye Instrument Panel		—	—	—	—	1	—	—	—	—	—	—	2857 014
	W-M, W-P Charger, W-S Charger R/T, W-S 2 D, H.T. and Cv. Cp. w/Rallye Instrument Panel		—	—	—	—	1	—	—	—	—	—	—	2857 161
			—	—	—	—	—	—	1	—	—	—	—	2927 115
			—	—	—	—	—	—	—	1	1	1	—	2927 259
			—	—	—	—	—	—	—	—	—	—	1	2927 558
8-19-18	SCREW and WASHER, Printed Circuit Board, to Hsg		—	AR	—	AR	AR	—	—	AR	AR	AR	AR	6027 175

TYPE LETTERS Indicates

B - Barracuda

V - Valiant
L - DartR - Belvedere
W - CoronetP - Plymouth
D - DodgeC - Chrysler
Y - Imperial

AR Indicates use as required.

= Indicates parts not listed in any previous parts book.

Numerals in parentheses () refer to notes.

★ Indicates change or addition.

Printed in U.S.A.
January 1971

CODE	PART NAME	ENG. TYPE OR CU.IN.	V	B	L	R	W	P	D	C	C	C	Y	PART NUMBER
			1-2	1-2	1-2	1-2	1-2	1-2	1-2	1	2	3	1	
8-19-0 INSTRUMENT PANEL WIRING Cont'd														
8-19-24	CLIP, Inst. Panel Lamp on Reminder Buzzer Wiring								1	1				6015 377
8-19-83	LAMP, Ash Receiver		1	1	1									2947 245
						1	1							2947 154
								1	1					2947 073
										1	1	1	2	2947 007
8-19-87	INSULATOR, GASKET and CLIP, Bulkhead Connector		1	1	1	1	1							2631 315
	CONNECTOR and GASKET, Bulkhead						1	1	1	1	1	1		2926 263
8-19-89	WATERSHIELD, Bulkhead, w/Double Faced Adhesive Tape							1	1	1	1	1	1	2983 326
	w/o Double Faced Adhesive Tape							1	1	1	1	1	1	2926 891
8-20-0 CIGAR LIGHTER														
	Cigar Lighter, w/Console, C-E 2 D. H.T. and Cv. Cp., C-H 2 D. H.T.										1	1	1	1887 222
	Rr. Comp't. Cigar Lighter, Rr. of Seat Center Section, w/o Console, C-E 2 D. H.T. and Cv. Cp., C-H 2 D. H.T.									1	1	1		1887 222
	B Pillar Cigar Lighter, 4 D. and 4 D. H.T.											2		1887222
	Rr. Qtr. Panel Arm Rest Cigar Lighter, 2 D. H.T.												2	1887 222
	Rr. Door Arm Rest Cigar Lighter, 4 D w/Power Windows, 4 D. H.T.												2	1887 222
	Rt. Frt. Door Arm Rest Cigar Lighter, 2 D. H.T., 4 D. w/Power Windows, 4 D. H.T.												1	1887 222
8-20-5	HOUSING, B Pillar Cigar Lighter 4 D. and 4 D. H.T.											2		2864 250
8-20-8	KNOB, Instrument Panel Cigar Lighter		1	1										2864 138
					1									2864 142
						1	1	1	1					2290 188
	On Lt. Ash Receiver									1	1	1	1	2290 188
	Rr. Comp't. Cigar Lighter, w/Console, D-H 2 D. H.T., C 2 D. H.T., Cv. Cp. and 4 D. H.T.								1	1	1	1		2631 665
	Rr. Comp't Cigar Lighter, Rr. of Seat Center Section, w/o Console, C-E 2 D. H.T. and Cv. Cp., C-H 2 D. H.T.									1	1	1		2631 665
	B Pillar Cigar Lighter, 4 D and 4 D.H.T.											2		2631 665
	Rr. Qtr. Panel Arm Rest Cigar Lighter, 2 D. H.T.												2	2631 665
	Rr. Door Arm Rest Cigar Lighter, 4 D. and 4 D. H.T.												2	2631 665
	Rt. Front Door Arm Rest Cigar Lighter, 2 D. H.T., 4 D. w/Power Windows, 4 D. H.T.												1	2631 665
8-20-9	ELEMENT, Instrument Panel Cigar Lighter Heat		1	1	1	1	1	1	1					3004 190
	Lt. Ash Receiver									1	1	1	1	3004 190
	Rr. Comp't Cigar Lighter, w/Console, D-H 2 D. H.T., C2D. H.T., Cv. Cp. and 4 D. H.T.									1	1	1	1	3004 190

TYPE LETTERS Indicates

B - Barracuda

V - Valiant
L - Dart

R - Belvedere
W - Coronet

P - Plymouth
D - Dodge

C - Chrysler
Y - Imperial

AR Indicates use as required.

Indicates parts not listed in any previous parts book.

Numerals in parentheses () refer to notes.

★ Indicates change or addition.

Printed in U.S.A.
January 1971

CODE	PART NAME	ENG. TYPE OR CU.IN.	V	B	L	R	W	P	D	C	C	C	Y	PART NUMBER
			1-2	1-2	1-2	1-2	1-2	1-2	1-2	1	2	3	1	
8-20-0 CIGAR LIGHTER Cont'd														
8-20-9	ELEMENT Cont'd													
	Rr. Comp't. Cigar Lighter, Rr. of Seat Center Section, w/o Console, C-E 2 D. H.T. and Cv. Cp., C-H 2 D.H.T.		—	—	—	—	—	—	—	1	1	1	—	3004 190
	B Pillar Cigar Lighter, 4 D. and 4 D.H.T.		—	—	—	—	—	—	—	—	—	2	—	3004 190
	Rr. Qtr. Panel Arm Rest Cigar Lighter, 2 D. H.T.		—	—	—	—	—	—	—	—	—	—	2	3004 190
	Rr. Door Arm Rest Cigar Lighter, 4 D. and 4 D. H.T.		—	—	—	—	—	—	—	—	—	—	2	3004 190
	Rt. Frt. Door Arm Rest Cigar Lighter, 2 D. H. T., 4 D. w/Power Windows, 4 D. H.T.		—	—	—	—	—	—	—	—	—	—	1	3004 190
8-20-10	SHELL and CLAMP, Inst. Panel Cigar Lighter		1	1	1	1	1	1	1	—	—	—	—	2932 727
	Lt. Ash Receiver		—	—	—	—	—	—	—	1	1	1	1	2932 727
	Rr. Comp't. Cigar Lighter, w/Console, D-H 2 D. H.T., C 2D. H.T., Cv., Cp. and 4 D.H.T.		—	—	—	—	—	—	—	1	1	1	1	2932 727
	Rr. Comp't. Cigar Lighter, Rr. of Seat Center Section, w/o Console, C-E 2 D.H.T. and Cv. Cp., C-H 2 D.H.T.		—	—	—	—	—	—	—	1	1	1	—	2932 727
	B Pillar Cigar Lighter, 4 D. and 4 D. H.T.		—	—	—	—	—	—	—	—	—	2	—	2932727
	Rr. Door Arm Rest Cigar Lighter, 4 D. and, 4 D. H.T.		—	—	—	—	—	—	—	—	—	—	2	2932 727
	Rr. Qtr. Panel Arm Rest Cigar Lighter, 2 D. H.T.		—	—	—	—	—	—	—	—	—	—	2	2932 727
	Rt. Frt. Door Arm Rest Cigar Lighter, 2 D. H.T., 4 D. w/Power Windows, 4 D. H.T.		—	—	—	—	—	—	—	—	—	—	1	2932 727
8-20-16	BEZEL, Front Seat Cigar Lighter, w/o Console, C-E 2 D. H.T. and Cv. Cp., C-H 2 D.H.T.		—	—	—	—	—	—	—	1	1	1	—	2080 996
8-20-22	BRACKET, B Pillar Cigar Lighter, 4 D. and 4 D.H.T.		—	—	—	—	—	—	—	—	—	2	—	2864 251
8-20-23	PLUG, Instrument Panel Cigar Lighter		1	—	—	—	—	—	—	—	—	—	—	6026 354

8-21-0 TERMINAL BLOCK

8-21-1	BLOCK, Ammeter Wiring Terminal, w/60 Amp. Alternator		—	—	—	1	1	1	1	—	—	—	—	1842267
	SCREW		—	—	—	1	1	1	1	—	—	—	—	6006 120

NOTES

TYPE LETTERS Indicates B - Barracuda V - Valiant L - Dart R - Belvedere W - Coronet P - Plymouth D - Dodge C - Chrysler Y - Imperial

AR Indicates use as required. Numerals in parentheses () refer to notes. Printed in U.S.A. # Indicates parts not listed in any previous parts book. ★ Indicates change or addition. January 1971

8-27-0 IGNITION DISTRIBUTOR**8-27-1 DISTRIBUTOR ASSEMBLY**

Models	Cyl.	Eng. (cu. in.)	Trans.	Breaker Points	Distributor Identification Stamped (Complete)	Replace- ment Assy's (Partial)(Less Cap & Rotor)	
V, B, Export, L	6	170	Manual	Single	2875 813	2875 814	
V, B, Export, L	6	170	Auto.	Single	2875 855	2875 856	
V, B, L, R, W, Export, w/2 Bbl. Carb	6	225	Manual	Single	2875 830	2875 831	
V, B, L, R, W, Export, w/2 Bbl. Carb	6	225	Auto.	Single	2875 833	2875 834	
V, B, L, R, W, P	6	225	Manual	Single	2875 822	2875 823	
V, B, L, R, W, P	6	225	Auto.	Single	2875 826	2875 827	
V, L	8	273	All	Single	2875 790	2875 791	
V, B, L, R, W, P, D	8	318	All	Single	2875 796	2875 797	
B, L	8	340	Manual	Double	2875 782	2875 783	
					1BS-4015B	1BS-4015BS	
B, L	8	340	Auto.	Single	2875 779	2875 780	
B, L	8	383	Manual	Double	2875 715	2875 718	
					1BS-4016A	1BS-4016AS	
B, L	8	383	Auto.	Double	2875 846	2875 847	
					1BS-4016	1BS-4016S	
P, D, C-E, C-L, w/2 Bbl. Carb.	8	383	Manual	Single	2875 742	2875 743	
R, W, P, D, C-E, C-L, C-P Sta. Wgn, w/2 Bbl. Carb.	8	383	Auto.	Single	2875 747	2875 748	
R, W, w/1-4 Bbl. Carb.	8	383	Manual	Single	2875 750	2875 751	
R, W, P, D, C-E, C-L, C-P Sta. Wgn., w/1-4 Bbl. Carb.	8	383	Auto.	Single	2875 731	2875 732	
R, W, except Sta. Wgn.	8	426	All	Double	2875 140	2875 141	
					1BS-4014A	1BS-4014AS	
R-S, W-S	8	440	Manual	Double	2875 772	2875 773	
					1BS-4014B	1BS-4014BS	
R-S, W-S, P, D, C, w/Hi Perf., except Sta. Wgn.	8	440	Auto.	Single	2875 758	2875 759	
P, D, C-P Sta. Wgn., C-M, C-H, Y, Std.	8	440	All	Single	2875 764	2875 765	
R-M, W-M, 2D. and 2 D.H.T., w/3-2 Bbl. Carb.	8	440	Manual	Double	2875 981	2875 979	
					1BS-4017	1BS-4017S	
R-M, W-M, 2 D. and 2 D.H.T., w/3-2 Bbl. Carb.	8	440	Auto.	Double	2875 982	2875 983	
					1BS-4017A	1BS-4017AS	
D	Canada	6	225	Manual	Single	2875 822	2875 823
D	Canada	6	225	Auto.	Single	2875 826	2875 827

NOTES

TYPE LETTERS Indicates

B - Barracuda

V - Valiant
L - DartR - Belvedere
W - CoronetP - Plymouth
D - DodgeC - Chrysler
Y - Imperial

AR Indicates use as required.

Indicates parts not listed in any previous parts book.

Numerals in parentheses () refer to notes.

★ Indicates change or addition.

Printed in U.S.A.
January 1971

CODE	PART NAME	ENG. TYPE OR CU.IN.	V	B	L	R	W	P	D	C	C	C	Y	PART NUMBER
			1-2	1-2	1-2	1-2	1-2	1-2	1-2	1	2	3	1	
8-27-0 IGNITION DISTRIBUTOR Cont'd														
8-27-96	HOUSING and BEARING, Distributor	6	1	1	1	1	1	1	—	—	—	—	—	2875 516
	w/273 Eng.	8	1	—	1	—	—	—	—	—	—	—	—	2875 481
	w/318 and 440 Eng.	8	—	1	1	—	—	—	—	—	—	—	—	2875 481
	w/318 Eng.	8	—	—	—	1	1	1	1	—	—	—	—	2875 481
	w/383 and 440 Eng.	8	—	—	—	1	1	1	1	1	1	1	1	2875 501
8-27-97	SOLENOID, Carb. Shut-Off, 12 Volt, w/440 Eng., w/3-2 Bbl. Carb., 2 D. and 2 D.H.T., R-M, W-M	8	—	—	—	1	1	—	—	—	—	—	—	3412 059
8-27-99	WIRE, Carb. Shut-Off Solenoid, 12 Volt, w/440 Eng., w/3-2 Bbl. Carb., 2 D. and 2 D.H.T., R-M, W-M	8	—	—	—	1	1	—	—	—	—	—	—	3412 459
8-27-121	"O" RING, Distributor Hsg., up to approx. Jan. 2, 1969		1	1	1	1	1	1	1	1	1	1	1	6027 245
	after approx. Jan. 2, 1969		1	1	1	1	1	1	1	1	1	1	1	2875 923
8-27-244	SEAL, Distributor Housing		1	—	—	—	—	1	1	1	1	1	1	2875 028
	Except 383 Eng.		—	1	1	—	—	—	—	—	—	—	—	2875 028
	Except 426 Eng.		—	—	—	1	1	—	—	—	—	—	—	2875 028
8-27-259	SPACER, Distributor Cam		1	1	1	1	1	1	1	1	1	1	1	2642 988
8-27-320	TUBE, Carburetor to Dist. Vacuum Control		AR	AR	AR	AR	AR	AR	AR	AR	AR	AR	AR	2448 621
8-27-335	VALVE and COVER, Distributor Vacuum Control, w/Manual Trans., w/170 Eng.	6	1	1	1	—	—	—	—	—	—	—	—	2843 299
	w/426 Eng., except Sta. Wgn.	8	—	—	—	1	1	—	—	—	—	—	—	2863 739
8-27-336	TUBE, Dist. Control Valve to Intake Manifold		1	1	1	1	1	1	1	1	1	1	1	2467 937
	Carb. to Dist. Control Valve		AR	AR	AR	AR	AR	AR	AR	AR	AR	AR	AR	2448 621
	Dist. Control Valve to Dist.		AR	AR	AR	AR	AR	AR	AR	AR	AR	AR	AR	2448 621
	Dist. Control Valve to Carb.		AR	AR	AR	AR	AR	AR	AR	AR	AR	AR	AR	2448 621
8-27-338	COVER, Dist. Control Valve		1	1	1	1	1	1	1	1	1	1	1	2658 291

NOTES

TYPE LETTERS Indicates

B - Barracuda

V - Valiant
L - DartR - Belvedere
W - CoronetP - Plymouth
D - DodgeC - Chrysler
Y - Imperial

AR Indicates use as required.

Indicates parts not listed in any previous parts book.

Numerals in parentheses () refer to notes.

★ Indicates change or addition.

Printed in U.S.A.

January 1971

8-27-0 IGNITION DISTRIBUTOR COMPONENT PARTS

For Model Application See Code 8-27-1		DISTRIBUTOR ASSEMBLIES				
Distributor Identification Stamped	2875 140 1BS-4014A	2875 715 1BS-4016A	2875 731	2875 742	2875 747	
Replacement Assy's. (Partial) (Less Cap & Rotor)	2875 141 1BS-4014AS	2875 718 1BS-4016AS	2875 732	2875 743	2875 748	

CODE	REMARKS					
8-27-4	GASKET, Distributor Mtg. Oil Ret.	1326 836	1326 836	1326 836	1326 836	1326 836
8-27-26	CLAMP	2406 143	1947 613	1947 613	1947 613	-----
8-27-71	CAP	2585 000	2585 000	2444 507	2444 507	2444 507
8-27-76	SPRING, Cap Attaching	-----	-----	1838 508	1838 508	1838 508
8-27-77	SPRING and HINGE PACKAGE, Cap Clamp	1879 606	1879 606	-----	-----	-----
8-27-85	CONTACT and SPRING PACKAGE, Cap Plunger	2084 655	2084 655	-----	-----	-----
8-27-100	Oiler	953 717	953 717	-----	-----	-----
8-27-133	BEARING and THRUST WASHER PACKAGE, Shaft	2585 021	2585 021	-----	-----	-----
8-27-137	COLLAR and PIN PACKAGE, Shaft	2585 022	2585 022	2084 448	2084 448	2084 448
8-27-138	PLATE BREAKER	2585 162	2585 162	2875 861	2875 861	2875 861
8-27-158	CONTACT SET	-----	-----	2098 244	2098 244	2098 244
	CONTACT SET (2 Req.)	2421 173	2421 173	-----	-----	-----
8-27-190	CONDENSER	1818 757	1818 757	2098 058	2098 058	2098 058
8-27-205	LEAD, primary	2525 639	2525 639	2444 282	2444 282	2444 282
8-27-207	GROUND LEAD	1527 974	1527 974	-----	-----	-----
8-27-250	SHAFT GOVERNOR and CAM, Drive	-----	-----	2875 730	2875 738	2875 746
	SHAFT, Drive	2932 695	2932 955	-----	-----	-----
8-27-278	WEIGHT PACKAGE, Governor	1881 746	1881 746	-----	-----	-----
8-27-279	SPRING SET, Governor Weight	2809 153	2932 971	-----	-----	-----
8-27-292	CAM and STOP PLATE	2809 152	2932 968	-----	-----	-----
8-27-297	FELT DISC and SNAP RING PACKAGE, Cam Sleeve	1879 607	1879 607	-----	-----	-----
8-27-300	ROTOR	1658 535	1658 535	1838 516	1838 516	1838 516
8-27-306	PARTS PACKAGE, Vacuum Chamber	2585 020	2585 020	-----	-----	-----
8-27-308	CONTROL VACUUM	2808 897	2808 897	2875 728	2875 735	2875 735
8-27-316	SPRING and WASHER PACKAGE, Vacuum Chamber	1843 036	2932 969	-----	-----	-----

For Model Application See Code 8-27-1		DISTRIBUTOR ASSEMBLIES				
Distributor Identification Stamped	2875 750	2875 758	2875 764	2875 772	2875 779	
Replacement Assy's (Partial)(Less Cap & Rotor)	2875 751	2875 759	2875 765	1BS-4014B 2875 773	2875 780	
				1BS-4014BS		

CODE	REMARKS					
8-27-4	GASKET, Distributor Mtg. Oil Ret.	1326 836	1326 836	1326 836	1326 836	1326 836
8-27-26	CLAMP	1947 613	1947 613	1947 613	1947 613	-----
8-27-71	CAP	2444 507	2444 507	2444 507	2585 000	2444 507
8-27-76	SPRING, Cap Attaching	1838 508	1838 508	1838 508	-----	1838 508
8-27-77	SPRING and HINGE PACKAGE, Cap Clamp	-----	-----	-----	1879 606	-----
8-27-85	CONTACT and SPRING PACKAGE, Cap Plunger	-----	-----	-----	2084 655	-----
8-27-100	OILER	-----	-----	-----	953 717	-----
8-27-133	BEARING and THRUST WASHER PACKAGE, Shaft	-----	-----	2585 021	-----	-----
8-27-137	COLLAR and PIN PACKAGE, Shaft	2084 448	2084 448	2084 448	2585 022	2084 448
8-27-138	PLATE, Breaker	2875 861	2875 861	2875 861	2585 162	2875 861
8-27-158	CONTACT SET	2098 244	2098 244	2098 244	-----	2098 244
	CONTACT SET (2 Req.)	-----	-----	-----	2421 173	-----
8-27-190	CONDENSER	2098 058	2098 058	2098 058	1818 757	2098 058
8-27-205	LEAD, primary	2444 282	2444 282	2444 282	2525 639	2444 282
8-27-207	GROUND LEAD	-----	-----	-----	1527 974	-----
8-27-250	SHAFT, GOVERNOR and CAM, Drive	2875 749	2875 757	2875 763	-----	2875 778
	SHAFT, Drive	-----	-----	-----	2932 695	-----
8-27-278	WEIGHT PACKAGE, Governor	-----	-----	-----	1881 746	-----
8-27-279	SPRING SET, Governor Weight	-----	-----	-----	2932 701	-----
8-27-292	CAM and STOP PLATE	-----	-----	-----	2932 968	-----
8-27-297	FELT, DISC and SNAP RING PACKAGE, Cam Sleeve	-----	-----	-----	1879 607	-----
8-27-300	ROTOR	1838 516	1838 516	1838 516	1658 535	1838 516
8-27-306	PARTS PACKAGE, Vacuum Chamber	-----	-----	-----	2585 020	-----
8-27-308	CONTROL VACUUM	2875 728	2875 754	2875 761	2808 897	2875 776
8-27-316	SPRING and WASHER PACKAGE, Vacuum Chamber	-----	-----	-----	1818 912	-----

TYPE LETTERS Indicates

B - Barracuda

V - Valiant
L - DartR - Belvedere
W - CoronetP - Plymouth
D - DodgeC - Chrysler
Y - Imperial

AR Indicates use as required.

Indicates parts not listed in any previous parts book.

Numerals in parentheses () refer to notes.

★ Indicates change or addition.

Printed in U.S.A.
January 1971

8-27-0 IGNITION DISTRIBUTOR COMPONENT PARTS Cont'd

For Model Application See Code 8-27-1

		DISTRIBUTOR ASSEMBLIES				
	Distributor Identification Stamped	2875 782	2875 790	2875 796	2875 813	2875 822
	Replacement assy's (partial) (less cap & rotor)	2875 783 1BS-4015BS	2875 791	2875 797	2875 814	2875 823
CODE	REMARKS					
8-27-4	GASKET, Distributor Mtg. Oil Ret.	1326 836	1326 836	1326 836	2095 630	2095 630
	GASKET, Distributor Mtg. to Cylinder Block	-----	-----	-----	2095 740	2095 740
8-27-26	CLAMP	-----	1947 612	1947 612	-----	-----
8-27-71	CAP	2585 000	2444 507	2444 507	2642 986	2642 986
8-27-76	SPRING, Cap Attaching	-----	1838 508	1838 508	1838 508	1838 508
8-27-77	SPRING and HINGE PACKAGE, Cap Clamp	1879 606	-----	-----	-----	-----
8-27-85	CONTACT and SPRING PACKAGE, Cap Plunger	2084 655	-----	-----	-----	-----
8-27-100	OILER	953 717	-----	-----	-----	-----
8-27-133	BEARING and THRUST WASHER PACKAGE, Shaft	2585 021	-----	-----	-----	-----
8-27-137	COLLAR and PIN PACKAGE, Shaft	2585 022	2084 448	2084 448	-----	-----
8-27-138	PLATE, Breaker	2585 017	2875 861	2875 861	2875 861	2875 861
8-27-158	CONTACT SET	-----	2098 244	2098 244	2098 244	2098 244
	CONTACT SET (2 Req.)	2421 175	-----	-----	-----	-----
8-27-190	CONDENSER	1818 757	2098 058	2098 058	2098 058	2098 058
8-27-205	LEAD, primary	2585 019	2444 282	2444 282	2444 249	2444 249
8-27-207	GROUND LEAD	1527 974	-----	-----	-----	-----
8-27-250	SHAFT, GOVERNOR and CAM, Drive	-----	2875 789	2875 795	2875 821	2875 821
	SHAFT, Drive	2932 699	-----	-----	-----	-----
8-27-278	WEIGHT PACKAGE, Governor	1879 595	-----	-----	-----	-----
8-27-279	SPRING SET, Governor Weight	2932 701	-----	-----	-----	-----
8-27-292	CAM and STOP PLATE	3420 561	-----	-----	-----	-----
8-27-297	FELT, DISC and SNAP RING PACKAGE, Cam Sleeve	1879 607	-----	-----	-----	-----
8-27-300	ROTOR	1658 535	1838 516	1838 516	1838 516	1838 516
8-27-306	PARTS PACKAGE, Vacuum Chamber	2585 020	-----	-----	-----	-----
8-27-308	CONTROL VACUUM	1689 765	2875 786	2875 794	2875 809	2875 818
8-27-316	SPRING and WASHER PACKAGE, Vacuum Chamber	2932 700	-----	-----	-----	-----
8-27-352	GEAR and PIN PACKAGE, Shaft	-----	-----	-----	2084 653	2084 653

For Model Application See Code 8-27-1

		DISTRIBUTOR ASSEMBLIES				
	Distributor Identification Stamped	2875 826	2875 830	2875 833	2875 846	2875 855
	Replacement Assy's (Partial) (Less Cap & Rotor)	2875 827	2875 831	2875 834	1BS-4016 2875 847 1BS-4016S	2875 856
CODE	REMARKS					
8-27-4	GASKET, Distributor Mtg. Oil Ret.	2095 630	2095 630	2095 630	1326 836	2095 630
	GASKET, Distributor Mtg. to Cylinder Block	2095 740	2095 740	2095 740	-----	2095 740
8-27-26	CLAMP	-----	-----	-----	1947 613	-----
8-27-71	CAP	2642 986	2642 986	2642 986	2586 000	2642 986
8-27-76	SPRING, Cap Attaching	1838 508	1838 508	1838 508	-----	1838 508
8-27-77	SPRING and HINGE PACKAGE, Cap Clamp	-----	-----	-----	1879 606	-----
8-27-85	CONTACT and SPRING PACKAGE, Cap Plunger	-----	-----	-----	2084 655	-----
8-27-100	OILER	-----	-----	-----	953 717	-----
8-27-133	BEARING and THRUST WASHER PACKAGE, Shaft	-----	-----	-----	2585 021	-----
8-27-137	COLLAR and PIN PACKAGE, Shaft	-----	-----	-----	2585 022	-----
8-27-138	PLATE, Breaker	2875 861	2875 861	2875 861	2585 162	2875 861
8-27-158	CONTACT SET	2098 244	2098 244	2098 244	-----	2098 244
	CONTACT SET (2 Req.)	-----	-----	-----	2421 173	-----
8-27-190	CONDENSER	2098 058	2098 058	2098 058	1818 757	2098 058
8-27-205	LEAD, Primary	2444 249	2444 249	2444 249	2525 639	2444 249
8-27-207	GROUND LEAD	-----	-----	-----	1527 974	-----
8-27-250	SHAFT, GOVERNOR and CAM, Drive	2875 821	2875 829	2875 829	-----	2875 857
	SHAFT, Drive	-----	-----	-----	2932 955	-----
8-27-278	WEIGHT PACKAGE, Governor	-----	-----	-----	1881 746	-----
8-27-279	SPRING SET, Governor Weight	-----	-----	-----	2932 970	-----
8-27-292	CAM and STOP PLATE	-----	-----	-----	2932 967	-----
8-27-297	FELT, DISC and SNAP RING PACKAGE, Cam Sleeve	-----	-----	-----	1879 607	-----
8-27-300	ROTOR	1838 516	1838 516	1838 516	1658 535	1838 516

TYPE LETTERS Indicates

B - Barracuda

V - Valiant
D - DartR - Belvedere
W - CoronetP - Plymouth
D - DodgeC - Chrysler
Y - Imperial

AR Indicates use as required.

Indicates parts not listed in any previous parts book.

Numerals in parentheses () refer to notes.

★ Indicates change or addition.

Printed in U.S.A.
January 1971

8-27-0 IGNITION DISTRIBUTOR COMPONENT PARTS Cont'd.

For Model Application See Code 8-27-1

		DISTRIBUTOR ASSEMBLIES				
	Distributor Identification Stamped	2875 826	2875 830	2875 833	2875 846	2875 855
	Replacement Assy's (Partial) (Less Cap and Rotor)	2875 827	2875 831	2875 834	1BS-4016 2875 847 1BS-4016S	2875 856
CODE	REMARKS					
8-27-306	PARTS PACKAGE, Vacuum Chamber	-----	-----	-----	2585 020	-----
8-27-308	CONTROL VACUUM CHAMBER, Vacuum	2875 825	2875 828	2875 832	2808 897	2875 809
8-27-316	SPRING and WASHER PACKAGE, Vacuum Chamber	-----	-----	-----	2932 969	-----
8-27-352	GEAR and PIN PACKAGE, Shaft	2084 653	2084 653	2084 653	-----	2084 653
For Model Application See Code 8-27-1						DISTRIBUTOR ASSEMBLIES
	Distributor Identification Stamped	2875 981	2875 982	-----	-----	-----
	Replacement Assy's. (Partial) (Less Cap and Rotor)	1BS-4017 2875 979 1BS-4017S	1BS-4017A 2875 983 1BS-4017AS	-----	-----	-----
CODE	REMARKS					
8-27-4	GASKET, Dist. Mtg. Oil Ret.	1326 836	1326 836	-----	-----	-----
8-27-26	CLAMP	1947 613	1947 613	-----	-----	-----
8-27-71	CAP	2585 000	2585 000	-----	-----	-----
8-27-77	SPRING and HINGE PACKAGE, Cap Clamp	1879 606	1879 606	-----	-----	-----
8-27-85	CONTACT and SPRING PACKAGE, Cap Plunger	2084 655	2084 655	-----	-----	-----
8-27-100	OILER	953 717	953 717	-----	-----	-----
8-27-133	BEARING and THRUST WASHER PACKAGE, Shaft	2585 021	2585 021	-----	-----	-----
8-27-137	COLLAR and PIN PACKAGE, Shaft	2585 022	2585 022	-----	-----	-----
8-27-138	PLATE, Breaker	2585 162	2585 162	-----	-----	-----
8-27-158	CONTACT SET (2 req.)	2421 173	2421 173	-----	-----	-----
8-27-190	CONDENSER	3420 600	3420 600	-----	-----	-----
8-27-205	LEAD, Primary	3420 895	3420 895	-----	-----	-----
8-27-207	GROUND LEAD	1527 974	1527 974	-----	-----	-----
8-27-300	ROTOR	1658 535	1658 535	-----	-----	-----
8-27-308	CONTROL VACUUM	3420 919	3420 919	-----	-----	-----

8-28-0 ALTERNATOR

NOTE: For Component Parts of Alternators see Part Type Code 8-29-0. Where Component Parts of a Listed Alternator are not shown, order by description. Production Assemblies w/o Pulley are for identification purposes only. Order Service Alternators w/Pulley.

NOTE: Alternator with Double Grooved Pulley may be used for single Grooved Pulley application. Instruction Sheet included in the package.

NOTE: Higher Ampere Leece-Neville Alternators and Alternator Regulators are used on some 1969 Vehicles. Chrysler Parts do not stock Complete Replacement Assemblies or Repair Parts for Leece-Neville Units. When Complete Alternator or Alternator Regulator Assemblies or Repair Parts are required, they should be ordered by description, direct from the nearest Leece-Neville Distributor or Leece-Neville, 1374E, 51st. Street, Cleveland, Ohio. Attaching Parts such as Brackets, Straps and Belts are available through your usual Chrysler Parts Source.

CODE	Cyl.	REMARKS	Alternator w/o Pulley	Pulley No.	Amp.	Alternator w/Pulley
8-28-3	6	V, B, L, R, W, P, w/2 1/2" Single Groove Pulley, Chrysler Built	2642 635	2444 478 S	37	2642 944
	6	V, B, L, R, W, P, w/2 1/2" Single Groove Pulley, Chrysler Built	2098 535	2444 478 S	46	2098 850
	8	V, B, L, R except 426 Eng., W except 426 Eng., P, D, C, w/2 1/2" Single Groove Pulley, Chrysler Built	2642 635	2444 478 S	37	2642 944
	8	V, R, W, P, D, w/318 Eng., w/3" Single Groove Pulley, w/A/Cond., Chrysler Built	2098 535	2095 005 S	46	2098 850
	8	V, B, L, R except 426 Eng., W except 426 Eng., P, D, C, w/2 1/2" Single Groove Pulley, Chrysler Built	2098 535	2444 478 S	46	2098 850
	8	V w/318 Eng., R except 426 Eng., W except 426 Eng., P, D, C, w/3" Double Groove Pulley, Chrysler Built	2098 535	2875 711 D	46	2875 724

TYPE LETTERS Indicates

B - Barracuda

V - Valiant
L - DartR - Belvedere
W - CoronetP - Plymouth
D - DodgeC - Chrysler
Y - Imperial

AR Indicates use as required.

Indicates parts not listed in any previous parts book.

Numerals in parentheses () refer to notes.

★ Indicates change or addition.

Printed in U.S.A.
January 1971

8-28-0 ALTERNATOR Cont'd

CODE	Cyl.	REMARKS	Alternator w/o Pulley	Pulley No.	Amp.	Alternator w/Pulley
8-28-3	8	B, L, w/318 and 340 Eng., w/3" Single Groove Pulley, w/A/Cond., Chrysler Built	2098 535	2095 005 S	46	2098 850
	8	B, L, w/318 and 340 Eng., w/3" Double Groove Pulley, Chrysler Built	2098 535	2875 711 D	46	2875 724
	8	R, W, P, D, C, w/383 and 440 Eng., w/3" Double Groove Pulley, w/A/Cond., Chrysler Built	2098 535	2875 711 D	46	2875 724
	8	R, W, w/426 Eng., w/3" Double Groove Pulley, w/o A/Cond., Chrysler Built	2642 635	2095 059 D	37	2642 944
	8	R, W, w/426 Eng., w/3" Double Groove Pulley, Chrysler Built	2098 535	2095 059 D	46	2098 850
	6	R, W, P, w/2 1/2" Single Groove Pulley, Chrysler Built - Transistor	2875 439	2444 478 S	60	2875 442
	8	R, W, P, D, w/3" Single Groove Pulley, w/318 Eng., w/A/Cond., Chrysler Built - Transistor	2875 439	2095 005 S	60	2875 720
	8	R, W, w/318 and 383 Eng., P, D, w/2 1/2" Single Groove Pulley, w/o A/Cond., Chrysler Built - Transistor	2875 439	2444 478 S	60	2875 442
	8	R, W, w/383 Eng., P except 318 Eng., D except 318 Eng., w/3" Double Groove Pulley, w/A/Cond., Chrysler Built - Transistor	2875 439	2875 711 D	60	2875 712
	8	Y, w/2 3/4" Double Groove Pulley, w/A/Cond., Chrysler Built - Transistor	2875 437	2875 709 D	46	2875 713
	8	Y, w/2 1/2" Single Groove, Pulley, w/o A/Cond., Chrysler Built - Transistor	2875 437	2444 478 S	46	2875 453
	6	D - 2 1/2" Pulley	Canada 2642 635	2444 478 D	37	2642 944
	6	D - 2 1/2" Pulley	Canada 2444 599	2444 478 D	46	2098 850
	6	D	Canada 2875 442	2444 478 S	60	2875 442
	6	D	Leece-Neville-Canada 2642 228	2444 578 S	60	2642 412
	8	R, W, P, D, w/A/Cond., Leece-Neville	Canada 2642 229	2444 576 D	60	2642 411
	8	R, W, P, D, w/o A/Cond., Leece-Neville	Canada 2642 610	2642 609 D	60	2642 411
	8	R, W, P, D, w/o A/Cond., Leece-Neville	Canada 2875 280	2875 281 D	65	2875 282

NOTES

TYPE LETTERS Indicates

B - Barracuda

V - Valiant
L - DartR - Belvedere
W - CoronetP - Plymouth
D - DodgeC - Chrysler
Y - Imperial

AR Indicates use as required.

Indicates parts not listed in any previous parts book.

Numerals in parentheses () refer to notes.

★ Indicates change or addition.

Printed in U.S.A.

January 1971

CODE	PART NAME	ENG. TYPE OR CU.IN.	V	B	L	R	W	P	D	C	C	C	Y	PART NUMBER
			1-2	1-2	1-2	1-2	1-2	1-2	1-2	1	2	3	1	
8-28-0 ALTERNATOR Cont'd														
8-28-14	SPACER, Alternator to A/Cond. Compressor Bracket, w/A/Cond., B except 383 Eng., L except 383 Eng.	8	1	1	1	—	—	—	—	—	—	—	—	2120 609
	Alternator Mtg. Bolt to Frt. Alternator ear, B except 383 Eng., L except 383 Eng.	8	1	1	1	—	—	—	—	—	—	—	—	6026 715
	Alternator Adjusting Strap to Water Pump Hsg., w/383 Eng., B, L-S	8	—	1	1	—	—	—	—	—	—	—	—	2206 450
	Alternator to A/Cond. Compressor Brkt., w/A/Cond., w/318 Eng.	8	—	—	—	1	1	1	1	—	—	—	—	2120 609
	Alternator Mtg. Bolt to Frt. Alternator Ear, w/318 Eng.	8	—	—	—	1	1	1	1	—	—	—	—	6026 715
	Alternator Adjusting Strap to Water Pump Hsg., w/o A/Cond., w/383 Eng.	8	—	—	—	1	1	1	1	1	—	—	—	2206 450
	w/A/Cond., w/383 Eng.	8	—	—	—	1	1	1	1	1	—	—	—	6027 617
	w/426 Eng., except Sta. Wgn.	8	—	—	—	1	1	—	—	—	—	—	—	2206 450
	w/o A/Cond., w/440 Eng.	8	—	—	—	1	1	—	—	1	1	1	1	2206 450
	w/A/Cond., w/440 Eng.	8	—	—	—	1	1	—	—	1	1	1	—	6027 617
	w/o A/Cond., w/440 Eng.	8	—	—	—	—	—	1	1	—	—	—	—	2206 450
	w/A/Cond., w/440 Eng.	8	—	—	—	—	—	1	1	—	—	—	—	6027 617
8-28-15	STRAP, Alternator Adjusting w/Heater Hose Shield	6	1	1	1	—	—	—	—	—	—	—	—	2202 767
		6	1	1	1	—	—	—	—	—	—	—	—	2899 108
		8	1	—	—	—	—	—	—	—	—	—	—	2946 799
	Except 383 Eng.	8	—	1	1	—	—	—	—	—	—	—	—	2946 799
	w/383 Eng., B, L-S	8	—	1	1	—	—	—	—	—	—	—	—	2951 018
		6	—	—	—	1	1	1	—	—	—	—	—	2202 767
	w/Heater hose shield, w/318 Eng.	6	—	—	—	1	1	1	—	—	—	—	—	2899 108
		8	—	—	—	1	1	1	1	—	—	—	—	2946 799
	w/A/Cond., w/65 Amp. Compact Leece-Neville Alternator, w/318 Eng.	8	—	—	—	1	1	1	1	—	—	—	—	2536 080
	w/o A/Cond., w/383 Eng.	8	—	—	—	1	1	—	—	—	—	—	—	2951 018
	w/A/Cond., w/383 Eng.	8	—	—	—	1	1	—	—	—	—	—	—	2951 746
	w/A/Cond., w/383 Eng., w/65 Amp. Compact Leece-Neville Alternator		—	—	—	1	1	—	—	—	—	—	—	3462 881
	w/o A/Cond., w/65 Amp. Compact Leece-Neville Alternator, w/383 Eng.	8	—	—	—	1	1	1	1	—	—	—	—	2843 218
	w/426 Eng., except Sta. Wgn.	8	—	—	—	1	1	—	—	—	—	—	—	2780 630
	w/o A/Cond., w/440 Eng., w/H/ Perf., R-S, W-S	8	—	—	—	1	1	—	—	—	—	—	—	2951 018
	w/A/Cond., w/440 Eng., w/H/Perf., R-S, W-S	8	—	—	—	1	1	—	—	—	—	—	—	2951 746
	w/Heater Hose Shield, w/A/Cond., w/65 Amp. Compact Leece-Neville Alternator, w/383 and 440 Eng.	8	—	—	—	—	—	1	1	—	—	—	—	2951 154
	Sta. Wgn., w/o A/Cond., w/65 Amp. Compact Leece-Neville Alternator		—	—	—	—	—	1	1	—	—	—	—	2843 219
	w/o A/Cond., except 318 Eng.	8	—	—	—	—	—	1	1	—	—	—	—	2951 299
	w/A/Cond., except 318 Eng.	8	—	—	—	—	—	1	1	—	—	—	—	2951 749
	w/A/Cond.	8	—	—	—	—	—	—	—	1	1	1	—	2951 749
	w/o A/Cond	8	—	—	—	—	—	—	—	1	1	1	—	2951 299
	w/o A/Cond.	8	—	—	—	—	—	—	—	—	—	—	1	2206 447
	w/Heater Hose Shield, w/A/Cond.	8	—	—	—	—	—	—	—	—	—	—	1	2899 110

TYPE LETTERS Indicates V - Valiant R - Belvedere P - Plymouth C - Chrysler
 L - Dart W - Coronet D - Dodge Y - Imperial

AR Indicates use as required. Numerals in parentheses () refer to notes. Printed in U.S.A.
 # Indicates parts not listed in any previous parts book. ★ Indicates change or addition. January 1971

CODE	PART NAME	ENG. TYPE OR CU.IN.	V	B	L	R	W	P	D	C	C	C	Y	PART NUMBER
			1-2	1-2	1-2	1-2	1-2	1-2	1-2	1	2	3	1	
8-28-0 ALTERNATOR Cont'd														
8-28-15	STRAP Cont'd													
	w/A/Cond., to Fan Belt Idler Pulley Brkt.	8	—	—	—	—	—	—	—	—	—	—	1	2863 057
	Chrysler built alternator Canada	6	—	—	—	—	—	—	1	—	—	—	—	2899 108
	w/Leece-Neville Alternator Canada	6	—	—	—	—	—	—	1	—	—	—	—	2264 454
8-28-16	NUT, Alternator Mtg. Stud, Rr. Ear to Cylinder Head, w/o A/Cond., w/65 Amp. Compact Leece-Neville Alternator, w/318 Eng.	8	—	—	—	1	1	1	1	—	—	—	—	1737 695
	NUT, Alternator Mtg. Bracket Mtg., Water Pump Body, w/o A/Cond., w/65 Amp. Compact Leece-Neville Alternator, w/318 Eng.	8	—	—	—	1	1	1	1	—	—	—	—	1737 695
8-28-32	SUPPORT, Alternator Adjusting Strap to A/Cond. Compressor, w/A/Cond., w/65 Amp. Compact Leece-Neville Alternator, w/318 Eng.	8	—	—	—	1	1	1	1	—	—	—	—	2536 081
	Alternator Adjusting Strap to Intake Manifold, w/65 Amp. Compact Leece-Neville Alternator, R, W, w/383 Eng., P w/383 and 440 Eng., D w/383 and 440 Eng.	8	—	—	—	1	1	1	1	—	—	—	—	2843 822
8-28-35	BLOCK, Alternator Mtg., w/A/Cond., w/383 Eng.	8	—	—	—	1	1	—	—	—	—	—	—	2951 296
	w/383 Eng.	8	—	—	—	—	—	1	1	—	—	—	—	2951 296
	w/383 Eng.	8	—	—	—	—	—	—	—	1	—	—	—	2951 296
8-28-36	BRACKET, Alternator and Coil Mtg.	6	1	1	1	—	—	—	—	—	—	—	—	2465 166
	Except 383 Eng	8	1	—	—	—	—	—	—	—	—	—	—	2806 260
	w/383 Eng., B, L-S	8	—	1	1	—	—	—	—	—	—	—	—	2806 260
	w/65 Amp. Compact Leece-Neville Alternator	6	—	—	—	1	1	1	—	—	—	—	—	2465 558
	w/318 Eng.	6	—	—	—	1	1	1	—	—	—	—	—	2465 166
	W/A/Cond., w/65 Amp. Compact Leece-Neville Alternator, w/318 Eng.	8	—	—	—	1	1	1	1	—	—	—	—	2806 260
	w/o A/Cond., w/65 Amp. Compact Leece-Neville Alternator, w/318 Eng.	8	—	—	—	1	1	1	1	—	—	—	—	2468 477
	w/o A/Cond., w/383 Eng.	8	—	—	—	1	1	—	—	—	—	—	—	2899 287
	w/o A/Cond., w/65 Amp. Compact Leece-Neville Alternator, w/383 Eng.	8	—	—	—	—	—	—	—	—	—	—	—	2951 640
	w/A/Cond., w/383 Eng.	8	—	—	—	1	1	—	—	—	—	—	—	2843 217
	w/A/Cond, w/65 Amp. Compact Leece-Neville Alternator, w/383 Eng.	8	—	—	—	1	1	—	—	—	—	—	—	2951 015
	w/426 Eng., except Sta. Wgn.	8	—	—	—	1	1	—	—	—	—	—	—	2951 155
	w/o A/Cond., w/440 Eng., w/H/Perf., R-S, W-S	8	—	—	—	1	1	—	—	—	—	—	—	2951 640
	w/A/Cond., w/440 Eng., w/H/Perf., R-S, W-S	8	—	—	—	1	1	—	—	—	—	—	—	2951 015
	w/o A/Cond., w/383 and 440 Eng.	8	—	—	—	—	—	1	1	—	—	—	—	2951 640
	w/o A/Cond., w/65 Amp. Compact Leece-Neville Alternator, w/383 and 440 Eng.	8	—	—	—	—	—	1	1	—	—	—	—	2843 217
	w/A/Cond., w/383 and 440 Eng.	8	—	—	—	—	—	1	1	—	—	—	—	2951 015

TYPE LETTERS Indicates

B - Barracuda

V - Valiant
L - Dart

R - Belvedere
W - Coronet

P - Plymouth
D - Dodge

C - Chrysler
Y - Imperial

AR Indicates use as required.

Indicates parts not listed in any previous parts book.

Numerals in parentheses () refer to notes.

★ Indicates change or addition.

Printed in U.S.A.
January 1971

CODE	PART NAME	ENG. TYPE OR CU.IN.	V	B	L	R	W	P	D	C	C	C	Y	PART NUMBER
			1-2	1-2	1-2	1-2	1-2	1-2	1-2	1	2	3	1	
8-28-0 ALTERNATOR Cont'd														
8-28-36	BRACKET Cont'd													
	w/A/Cond., w/65 Amp. Compact Leece-Neville Alternator, w/383 and 440 Eng.	8	—	—	—	—	—	1	1	—	—	—	—	2951 155
	Canada	6	—	—	—	—	—	—	1	—	—	—	—	2465 166
	w/Leece-Neville Alternator													
	Canada	6	—	—	—	—	—	—	1	—	—	—	—	2465 558
	w/o A/Cond.	8	—	—	—	—	—	—	—	1	1	1	1	2951 640
	w/A/Cond.	8	—	—	—	—	—	—	—	1	1	1	—	2951 015
	w/A/Cond.	8	—	—	—	—	—	—	—	—	—	—	1	2806 040
8-28-38	SPACER, Alternator Mtg. Brkt. to Rr. Alternator Ear, V, B except 383 Eng., L except 383 Eng w/318 Eng.	8	1	1	1	—	—	—	—	—	—	—	—	6025 215
		8	—	—	—	1	1	1	1	—	—	—	—	6025 215
	Alternator Mtg. Brkt.-Water Pump Body, w/o A/Cond., w/65 Amp. Compact Leece-Neville Alternator, w/318 Eng	8	—	—	—	1	1	1	1	—	—	—	—	6027 135
	Alternator Mtg. Brkt. - Idler Brkt., w/o A/Cond., w/65 Amp. Compact Leece-Neville Alternator, w/318 Eng.	8	—	—	—	1	1	1	1	—	—	—	—	6027 133
	w/A/Cond., w/65 Amp. Compact Leece-Neville Alternator, w/318 Eng.	8	—	—	—	1	1	1	1	—	—	—	—	6024 612
	Alternator Mtg. Block, w/A/Cond., w/383 Eng.	8	—	—	—	1	1	1	1	—	—	—	—	6027 995
	w/o A/Cond., w/383 Eng.	8	—	—	—	—	—	1	1	—	—	—	—	6023 394
	w/A/Cond., w/383 Eng.	8	—	—	—	—	—	—	—	1	—	—	—	6027 995
	w/o A/Cond., w/383 Eng.	8	—	—	—	—	—	—	—	1	—	—	—	6023 394
8-28-51	SUPPORT, Alternator Mtg. Bracket, w/A /Cond., w/65 Amp. Compact Leece-Neville Alternator, w/318 Eng.	8	—	—	—	1	1	1	1	—	—	—	—	2536 082
	Exhaust Manifold to Alternator Mtg. Bracket, w/o A/Cond., w/65 Amp. Compact Leece-Neville Alternator, w/318 Eng.	8	—	—	—	1	1	1	1	—	—	—	—	2899 289
8-28-74	REGULATOR, Alternator Voltage w/Chrysler Built Alternator		1	1	1	1	1	1	1	1	1	1	—	2098 300
	w/Chrysler Built Transistor Alternator		—	—	—	1	1	1	1	1	1	1	1	2875 400
	SCREW, Mtg.		2	2	2	2	2	2	2	2	2	2	—	6028 142
	SCREW, Alternator Voltage Regulator Mtg. Bracket Mtg., w/60 Amp. Alternator		—	—	—	2	2	—	—	—	—	—	—	6006 120
	SCREW and WASHER, Mtg., w/60 Amp. Alternator		—	—	—	2	2	2	2	—	—	—	—	6027 991
8-28-78	BRACKET, Voltage Regulator, Transistor, w/60 Amp. Alternator		—	—	—	1	1	—	—	—	—	—	—	2926 621
8-28-88	SCREW and CLAMP, Alternator Voltage Regulator Field Terminal w/o 60 Amp. Alternator,		1	1	1	—	—	—	—	—	—	—	—	2095 371
			—	—	—	1	1	1	1	1	1	1	—	2095 371
8-28-89	FUSE WIRE, Alternator Voltage Regulator		AR	AR	AR	AR	AR	AR	AR	AR	AR	AR	AR	2275 242
8-28-292	SPACER, Alternator to Cylinder Head, w/o A/Cond., B except 383 Eng., L except 383 Eng. w/383 Eng.	8	1	1	1	—	—	—	—	—	—	—	—	6024 613
		8	—	1	1	—	—	—	—	—	—	—	—	2206 448

TYPE LETTERS Indicates

B - Barracuda

V - Valiant
L - DartR - Belvedere
W - CoronetP - Plymouth
D - DodgeC - Chrysler
Y - Imperial

AR Indicates use as required.

Indicates parts not listed in any previous parts book.

Numerals in parentheses () refer to notes.

★ Indicates change or addition.

Printed in U.S.A.
January 1971

1969 PASSENGER CAR PARTS CATALOG

ELECTRICAL

CODE	PART NAME	ENG. TYPE OR CU.IN.	V	B	L	R	W	P	D	C	C	C	Y	PART NUMBER
			1-2	1-2	1-2	1-2	1-2	1-2	1-2	1	2	3	1	
8-28-292	SPACER Cont'd													
	w/o A/Cond., w/318 Eng.	8				1	1	1	1					6024 613
	Rr. Ear, w/o A/Cond., w/65 Amp. Compact Leece-Neville Alternator, w/318 Eng.	8				1	1	1	1					6027 317
	w/o A/Cond., w/383 Eng.	8				1	1							2206 448
	w/426 Eng., except Sta. Wgn.	8				1	1							6023 517
	w/o A/Cond., w/440 Eng.	8				1	1			1	1	1	1	2206 448
	w/A/Cond., w/440 Eng.	8				1	1			1	1	1		6027 618
	w/A/Cond., w/440 Eng.	8						1	1					2206 448
	w/A/Cond., w/440 Eng.	8						1	1					6027 618
	Alternator, w/383 Eng.	8		1	1									2206 449
	w/o A/Cond., w/383 Eng.	8				1	1	1	1					2206 449
	w/A/Cond., w/383 Eng.	8				1	1	1	1					6025 215
	w/426 Eng., except Sta. Wgn.	8				1	1							2206 449
	w/o A/Cond., w/440 Eng.	8				1	1						1	2206 449
	w/A/Cond., w/440 Eng.	8												6025 215
	w/o A/Cond., w/383 and 440 Eng.	8												2206 449
	w/A/Cond., w/383 and 440 Eng.	8												6025 215
	w/o A/Cond.	8							1	1	1	1		2206 449
	w/A/Cond.	8							1	1	1			6025 215

NOTES

TYPE LETTERS Indicates
 B - Barracuda V - Valiant R - Belvedere P - Plymouth C - Chrysler
 L - Dart W - Coronet D - Dodge Y - Imperial

AR Indicates use as required. Numerals in parentheses () refer to notes. Printed in U.S.A.
 # Indicates parts not listed in any previous parts book. ★ Indicates change or addition. January 1971

8-29-0 ALTERNATOR COMPONENT PARTS

For Model Application See Code 8-28-3

ALTERNATOR ASSEMBLIES

CODE	Remarks	2098 850		2642 944	2875 442	2875 453
8-29-17	BRUSH, WASHER and TERMINAL PACKAGE	2084 673	2084 673	2084 673	2932 755	2932 755
8-29-29	CONNECTOR, Brush	-----	-----	-----	2875 419	2875 419
8-29-42	HOLDER, Brush	2095 038	-----	2095 038	2095 038	2095 038
	HOLDER, Brush	-----	-----	-----	2875 421	2875 421
8-29-97	ROTOR	2585 175	-----	2642 650	2585 175	2585 175
8-29-98	STATOR	2095 427	-----	2642 633	3000 008	2095 427
8-29-99	RETAINER, WASHER and SLIP RING PACKAGE, Rotor Grease	2586 512	-----	2586 512	2586 512	2586 512
8-29-129	CAPACITOR and INSULATOR PACKAGE	2421 137	-----	2421 137	2932 756	2932 756
8-29-130	SCREW, Capacitor Ground	6022 381	-----	-----	-----	-----
8-29-131	RECTIFIER, Positive (3 Req.)	2098 288	-----	2098 288	3000 046	2098 288
	RECTIFIER, Negative (3 Req.)	2098 287	-----	2098 287	3000 047	2098 287
8-29-132	SHIELD, Rectifier End	2098 646	-----	2098 646	2875 608	2875 608
8-29-133	BEARING, Rectifier End Shield	2098 512	-----	2098 512	2098 512	2098 512
8-29-134	INSERT, Rectifier End Mtg.	2095 052	-----	-----	-----	-----
8-29-135	HEAT SINK, Rectifier	2095 925	-----	2095 925	2875 422	2875 422
8-29-145	SPACER PACKAGE, Heat Sink	2421 138	-----	2421 138	2421 138	2095 760
8-29-153	SHIELD, Drive End	2095 945	-----	2095 945	2095 945	-----
8-29-155	PLATE, Drive End Brg. Ret.	2095 012	-----	2095 012	2095 012	2095 012
8-29-194	SCREW, Field Terminal Mtg.	6023 112	-----	-----	-----	-----
	SCREW, Brush Mtg.	6023 112	-----	-----	-----	-----
8-29-208	SCREW, Frame (3 Req.)	2098 633	-----	2098 633	2098 633	2098 633

For Model Application See Code 8-28-3		ALTERNATOR ASSEMBLIES			
CODE	REMARKS	2875 712	2875 713	2875 720	2875 724
8-29-17	BRUSH, WASHER and TERMINAL PACKAGE	2932 755	2932 755	2932 755	2084 673
8-29-29	CONNECTOR, Brush	2875 419	2875 419	2875 419	-----
8-29-42	HOLDER, Brush	2095 038	2095 038	2095 038	2095 038
	HOLDER, Brush	2875 421	2875 421	2875 421	-----
8-29-97	ROTOR	2585 175	2585 175	2585 175	2585 175
8-29-98	STATOR	3000 008	2095 427	3000 008	2095 427
8-29-99	RETAINER, WASHER and SLIP RING PACKAGE, Rotor Grease	2586 512	2586 512	2586 512	2586 512
8-29-129	CAPACITOR and INSULATOR PACKAGE	2932 756	2932 756	2932 756	2421 137
8-29-130	SCREW, Capacitor Ground	-----	-----	-----	6022 381
8-29-131	RECTIFIER, Positive (3 Req.)	3000 046	2098 288	3000 046	2098 288
	RECTIFIER, Negative (3 Req.)	3000 047	2098 287	3000 047	2098 287
8-29-132	SHIELD, Rectifier End	2875 608	2875 608	2875 608	2098 646
8-29-133	BEARING, Rectifier End Shield	2098 512	2098 512	2098 512	2098 512
8-29-134	INSERT, Rectifier End Mtg.	-----	-----	-----	2095 052
8-29-135	HEAT SINK, Rectifier	2875 422	2875 422	2875 422	2095 925
8-29-145	SPACER PACKAGE, Heat Sink	2421 138	2095 760	2421 138	2421 138
8-29-153	SHIELD, Drive End	2095 945	2095 945	2095 945	2095 945
8-29-154	BEARING, Drive end Shield	2098 478	2098 478	2098 478	2098 478
8-29-155	PLATE, Drive End Brg. Ret.	2095 012	2095 012	2095 012	2095 012
8-29-194	SCREW, Field Terminal Mtg.	-----	-----	-----	6023 112
	SCREW, Brush Mtg.	-----	-----	-----	6023 112
8-29-208	SCREW, Frame (3 Req.)	2098 633	2098 633	2098 633	2098 633

TYPE LETTERS Indicates

B - Barracuda

V - Valiant
L - DartR - Belvedere
W - CoronetP - Plymouth
D - DodgeC - Chrysler
Y - Imperial

AR Indicates use as required.

Indicates parts not listed in any previous parts book.

Numerals in parentheses () refer to notes.

★ Indicates change or addition.

Printed in U.S.A.
January 1971

8-29-0 ALTERNATOR COMPONENT PARTS Cont'd

For Model Application See Code 8-28-3
Leece-Neville

ALTERNATOR ASSEMBLIES

CODE	REMARKS		ALTERNATOR ASSEMBLIES			
			2642 228 2642 412	2642 229 2642 610 2642 411	2875 280 2875 282	
8-29-41	BRUSH and SPRING BLOCK, Terminal	Canada	2644 303	2644 303	2644 303	
	JUMPER, Brush Terminal	Canada	2644 305	2644 305	-----	
8-29-97	ROTOR	Canada	2644 302	2644 302	-----	
8-29-98	STATOR and TERMINAL	Canada	2649 425	2649 425	2652 559	
8-29-99	SLIP RING, Rotor	Canada	2649 486	2649 486	2652 564	
8-29-110	BEARING, Slip Ring End	Canada	2644 292	2644 292	2644 292	
8-29-124	HOUSING, Drive End	Canada	2644 291	2644 291	2652 064	
	HOUSING, Commutator End	Canada	-----	-----	2652 558	
	"O" RING, Commutator End	Canada	-----	-----	2652 561	
8-29-130	CAPACITOR	Canada	-----	-----	2652 562	
	Clamp, Capacitor Ret.	Canada	2649 446	2649 446	2649 446	
8-29-131	RECTIFIER, Negative	Canada	2649 445	2649 445	-----	
	RECTIFIER and LEAD, Orange	Canada	2649 442	2649 442	2652 560	
	RECTIFIER, Positive	Canada	2649 443	2649 443	2649 443	
	RECTIFIER and LEAD, Black	Canada	2649 437	2649 437	2652 563	
8-29-153	HOUSING, Brush Holder	Canada	2649 438	2649 438	2649 438	
	SEALING RING, Holder Hsg.	Canada	2644 300	2644 300	2644 300	
	GASKET, Holder Hsg. Cover	Canada	2644 299	2644 299	-----	
8-29-154	BEARING, Drive End	Canada	2649 447	2649 447	-----	
8-29-160	FAN	Canada	2649 435	2649 435	2649 435	
8-29-164	MOUNT, rectifier	Canada	2649 434	2649 434	-----	
	REG. RECTIFIER	Canada	2644 296	2644 296	-----	
8-29-179	BUSHING, Brg. Rect. Term. Insul.	Canada	2644 312	2644 312	2644 312	
	RECT. MOUNT, Insul.	Canada	2644 309	2644 309	-----	
	TERMINAL SCREW	Canada	2649 439	2649 439	2649 439	
	INSULATION	Canada	2644 307	2644 307	-----	
8-29-181	WASHER, Rectifier Mount.	Canada	2649 441	2649 441	-----	
	TERM, Insulator	Canada	2649 440	2649 440	-----	
	INSULATOR, Term. Black	Canada	2644 306	2644 306	-----	
8-29-184	SCREW, Neg. Rect. Term.	Canada	2644 313	2644 313	2644 313	
	TERMINAL	Canada	2649 444	2649 444	-----	
	TERMINAL	Canada	2644 308	2644 308	-----	
	STUD, Terminal	Canada	2644 301	2644 301	-----	

NOTES

TYPE LETTERS Indicates

B - Barracuda

V - Valiant
L - DartR - Belvedere
W - CoronetP - Plymouth
D - DodgeC - Chrysler
Y - Imperial

AR Indicates use as required.

Indicates parts not listed in any previous parts book.

Numerals in parentheses () refer to notes.

★ Indicates change or addition.

Printed in U.S.A.
January 1971

CODE	PART NAME	ENG. TYPE OR CU.IN.	V	B	L	R	W	P	D	C	C	C	Y	PART NUMBER
			1-2	1-2	1-2	1-2	1-2	1-2	1-2	1	2	3	1	
8-31-0 PARKING BRAKE SIGNAL LAMP														
8-31-10	SWITCH, Brake System Indicator Parking Brake Indicator Lamp		1	1	1	1	1	1	1	1	1	1	1	2822 023 2889 053 2291 852
	w/BACKET, Parking Brake Indicator Lamp		—	—	—	1	1	—	—	—	—	—	—	2661 763
8-31-11	BRACKET, Parking Brake Indicator Lamp Switch Mtg.		1	1	1	—	—	—	—	—	—	—	—	2822 599 6023 215
	NUT and WASHER, Mtg.		1	1	1	—	—	—	—	—	—	—	—	
8-31-16	SOCKET, Brake Warning Indicator Lamp, on Printed Circuit Board W-L, W-H, W-P except Charger W-S 2 D. H.T. and Cv. Cp. w/o Rallye Instrument Panel Dual Brake System Lamp, W-M, W-P Charger, W-S Charger R/T, W-S 2 D. H.T. and Cv. Cp. w/Rallye Instrument Panel		1	1	—	1	—	—	1	—	—	—	—	2496 279 2496 279
8-31-18	CONTACT, Dual System Lamp Socket W-M, W-P Charger, W-S Charger R/T, W-S 2 D. H.T. and Cv. Cp. w/Rallye Instrument Panel		—	—	1	—	1	1	—	1	1	1	—	1753 632 2256 966
			—	—	—	—	1	—	—	—	—	—	—	2256 966
8-32-0 HORN														
8-32-2	HORN PACKAGE, High Note Low Note		1	1	1	1	1	1	1	1	1	1	1	2808 869 2808 868
	HORN and BRACKET, Road Runner, R-M		—	—	—	1	—	—	—	—	—	—	—	2926 233
8-32-18	SCREW and WASHER, Horn to Yoke Mtg.		AR	AR	AR	AR	AR	AR	AR	AR	AR	AR	AR	6023 253
8-33-0 HORN CONTROLS														
8-33-4	RING, Horn Full, up to approx. Nov. 1, 1968		1	1	1	1	1	—	—	—	—	—	—	2883 383
	RING and PAD, Horn, Partial, after approx. March 3, 1969													
	Medium Blue		1	—	1	1	1	—	—	—	—	—	—	4043 EB7
	Dark Green		1	—	1	1	1	—	—	—	—	—	—	4043 EF8
	Dark Red		1	—	1	1	1	—	—	—	—	—	—	4043 ER8
	Dark Tan		—	—	1	1	1	—	—	—	—	—	—	4043 ET8
	Black		1	—	1	1	1	—	—	—	—	—	—	4043 EX9
	Medium Gold		1	—	1	—	—	—	—	—	—	—	—	4043 EY4
	RING and PAD, Horn, Full, after approx. March 3, 1969													
	Medium Blue		1	1	1	1	1	—	—	—	—	—	—	4044 EB7
	Dark Green		1	1	1	1	1	—	—	—	—	—	—	4044 EF8
	Dark Red		1	1	1	1	1	—	—	—	—	—	—	4044 ER8
	Dark Tan		1	1	1	1	1	—	—	—	—	—	—	4044 ET8
	Black		1	1	1	1	1	—	—	—	—	—	—	4044 EX9
	Medium Gold		—	—	1	—	1	—	—	—	—	—	—	4044 EY4
	RING, Horn, Partial, up to approx. March 3, 1969		1	—	1	1	1	—	—	—	—	—	—	2950 495 2925 488
	RING, Horn, Full, w/3 Spoke Wheel		—	—	—	1	1	—	—	—	—	—	—	
	RING, Horn, Full, w/4 Spoke Wheel, w/o Tilt and Telescopic Strg. Wheel, Dull Black Finish		—	—	—	—	—	—	—	1	1	1	1	2950 797
	RING and SWITCH, horn, partial w/4 Spoke Wheel, w/Tilt and Tilt- Telescopic Strg. Wheel		—	—	—	—	—	1	1	1	1	1	1	2950 189

TYPE LETTERS Indicates

B - Barracuda

V - Valiant
L - DartR - Belvedere
W - CoronetP - Plymouth
D - DodgeC - Chrysler
Y - Imperial

AR Indicates use as required.

Indicates parts not listed in any previous parts book.

Numerals in parentheses () refer to notes.

★ Indicates change or addition.

Printed in U.S.A.
January 1971

CODE	PART NAME	ENG. TYPE OR CU.IN.	V	B	L	R	W	P	D	C	C	C	Y	PART NUMBER
			1-2	1-2	1-2	1-2	1-2	1-2	1-2	1	2	3	1	
8-33-0 HORN CONTROLS Cont'd														
8-33-5	RETAINER, Horn Button, w/o Simulated Wood Wheel		1	—	1	1	1	—	—	—	—	—	—	2852 491
	Horn Button		—	1	—	—	—	—	—	—	—	—	—	2925 135
	Horn Button, w/Simulated Wood Wheel		1	—	1	1	1	1	—	—	—	—	—	2925 135
	w/Full horn ring		1	1	1	1	1	—	—	—	—	—	—	2883 300
	w/3 Spoke Wheel, w/Partial Horn Ring, w/o Tilt Strg. Wheel		—	—	—	—	—	—	1	1	—	—	—	2925 556
	w/3 Spoke Wheel, w/Partial Horn Ring, w/o Tilt and Telescopic Strg. Wheel		—	—	—	—	—	—	—	1	1	1	—	2925 556
	w/Full Horn Ring, w/4 Spoke Wheel, w/o Tilt and Telescopic Strg. Wheel		—	—	—	—	—	—	—	1	1	1	1	2925 557
8-33-6	ORNAMENT, Steering Wheel R except R-M		1	—	—	1	—	1	—	—	—	—	—	2880 970
			—	—	1	—	1	—	1	—	—	—	—	2925 137
			—	1	—	—	—	—	—	—	—	—	—	2950 846
	R-M		—	—	—	1	—	—	—	—	—	—	—	2950 510
	w/3 Spoke Wheel, w/Partial Horn Ring, w/o Tilt Strg. Wheel		—	—	—	—	—	1	1	—	—	—	—	4070 EB7
	P,D Medium Blue		—	—	—	—	—	1	1	—	—	—	—	4070 EF8
	P,D Dark Green		—	—	—	—	—	1	1	—	—	—	—	4070 EX9
	P,D Black		—	—	—	—	—	1	1	—	—	—	—	4070 ER8
	P Dark Red		—	—	—	—	—	1	—	—	—	—	—	4070 ET8
	P, D Dark Tan		—	—	—	—	—	1	1	—	—	—	—	4070 EY4
	D-L, D-H Medium Gold		—	—	—	—	—	—	1	—	—	—	—	4070 EY4
	D-H Dark Gold		—	—	—	—	—	—	1	—	—	—	—	4070 EY8
	w/3 Spoke Wheel, w/Partial Horn Ring, w/o Tilt and Telescopic Strg. Wheel,		—	—	—	—	—	—	—	—	—	—	—	
	C-E, C-L, C-M Black		—	—	—	—	—	—	—	1	1	—	—	4069 EX9
	MEDALLION, w/Partial Horn Ring, w/3 Spoke Wheel, w/o Tilt and Telescopic Strg. Wheel		—	—	—	—	—	—	—	1	1	—	—	2925 554
	w/4 Spoke Wheel, w/Full Horn Ring, w/o Tilt and Telescopic Strg. Wheel		—	—	—	—	—	—	—	1	1	1	—	2950 196
	NAMEPLATE, w/Full Horn Ring, w/4 Spoke Wheel, w/o Tilt and Telescopic Strg. Wheel		—	—	—	—	—	—	—	—	—	—	1	2925 555
8-33-13	PAD, strg. wheel, w/full horn ring		—	—	—	—	—	—	—	—	—	—	—	
	Medium Blue		1	1	1	1	—	—	—	—	—	—	—	4048 EB7
	Dark Green		1	1	1	1	1	—	—	—	—	—	—	4048 EF8
	Dark Red		1	1	1	1	1	—	—	—	—	—	—	4048 ER8
	Black		1	1	1	1	1	—	—	—	—	—	—	4048 DX9
	Dark Tan		1	1	1	1	1	—	—	—	—	—	—	4048 ET8
	Medium Gold		1	—	1	—	1	—	—	—	—	—	—	4048 EY4
	w/3 Spoke Wheel, w/o Tilt Strg. wheel		—	—	—	—	—	—	—	—	—	—	—	
	Medium Blue		—	—	—	—	—	1	1	—	—	—	—	4068 EB7
	Dark Green		—	—	—	—	—	1	1	—	—	—	—	4068 EF8
	Black		—	—	—	—	—	1	1	—	—	—	—	4068 EX9
	Dark Red		—	—	—	—	—	1	—	—	—	—	—	4068 ER8
	Dark Tan		—	—	—	—	—	1	1	—	—	—	—	4068 ET8
	Medium Gold		—	—	—	—	—	—	1	—	—	—	—	4068 EY4
	w/3 Spoke Wheel, w/Partial Horn Ring, w/o Tilt and Tilt-Telescopic Strg. Wheel,		—	—	—	—	—	—	—	—	—	—	—	
	Medium Blue		—	—	—	—	—	1	1	—	—	—	—	4067 EB7
	Dark Red		—	—	—	—	—	1	—	—	—	—	—	4067 ER8
	Dark Green		—	—	—	—	—	1	1	1	—	—	—	4066 EF8

TYPE LETTERS Indicates

B - Barracuda

V - Valiant
L - DartR - Belvedere
W - CoronetP - Plymouth
D - DodgeC - Chrysler
Y - Imperial

AR Indicates use as required.

Indicates parts not listed in any previous parts book.

Numerals in parentheses () refer to notes.

★ Indicates change or addition.

Printed in U.S.A.
January 1971

CODE	PART NAME	ENG. TYPE OR CU.IN.	V	B	L	R	W	P	D	C	C	C	Y	PART NUMBER
			1-2	1-2	1-2	1-2	1-2	1-2	1-2	1	2	3	1	
8-33-0 HORN CONTROLS Cont'd														
8-33-13	PAD Cont'd													
	Black							1	1	1	1			4066 EX9
	Dark Tan							1	1	1	1			4066 ET8
	Medium Gold								1	1	1			4066 EY4
	Dark Gold								1	1	1			4066 EY8
	Dark Blue									1	1			4066 EB9
	Briar									1	1			4066 EE9
	Dark Turquoise										1			4066 EQ8
	w/4 Spoke Wheel, w/Full Horn Ring, w/Tilt and Tilt-Telescopic Strg. Wheel,													
	Medium Blue							1	1					4028 EB7
	Dark Blue									1	1	1	1	4028 EB9
	Dark Green							1	1	1	1	1	1	4028 EF8
	Black							1	1	1	1	1	1	4028 EX9
	Dark Red							1					1	4028 ER8
	Dark Tan							1	1	1	1	1		4028 ET8
	Dark Gold								1	1	1	1		4028 EY8
	Briar									1	1	1		4028 EE9
	Burgundy												1	4028 EM9
	Dark Turquoise									1		1	1	4028 EQ8
	Dark Tan												1	4028 ET9
	w/4 Spoke Wheel, w/Full Horn Ring, w/o Tilt and Telescopic Strg. Wheel, up to approx. Oct. 15, 1968													
	Dark Blue									1	1	1		4063 EB9
	Briar									1	1	1		4063 EE9
	Dark Green									1	1	1		4063 EF8
	Black									1	1	1		*4063 EX9
	Dark Turquoise									1		1		4063 EQ8
	Dark Tan									1	1	1		4063 ET8
	Dark Gold									1	1	1		4063 EY8
	after approx. Oct. 15, 1968													
	Dark Blue									1	1	1		4074 EB9
	Briar									1	1	1		4074 EE9
	Dark Green									1	1	1		4074 EF8
	Black									1	1	1		4074 EX9
	Dark Turquoise									1		1		4074 EQ8
	Dark Tan									1	1	1		4074 ET8
	Dark Gold									1	1	1		4074 EY8
	w/4 Spoke Wheel, w/Full Horn Ring, w/o Tilt and Telescopic Strg. Wheel												1	
	Dark Blue												1	4075 EB9
	Dark Green												1	4075 EF8
	Burgundy												1	4075 EM9
	Black												1	4475 EX9
	Dark Turquoise												1	4075 EQ8
	Dark Red												1	4075 ER8
	Dark Tan												1	4075 ET9
	Medium Gold												1	4075 EY4
8-33-15	SPRING, Horn Ring, w/Partial Horn Ring, w/4 Spoke Wheel, w/Tilt- Telescopic Strg. Wheel								1	1	1	1	1	2925 561
8-33-17	CAP, Steering Wheel Ornament, Horn Button, Padded,													
	Medium Blue		1		1	1	1							4071 EB7
	Dark Tan		1		1	1	1							4071 ET8
	Dark Red		1		1									4071 ER8
	Black		1		1	1	1							4071 EX9

TYPE LETTERS Indicates

B - Barracuda

V - Valiant
L - DartR - Belvedere
W - CoronetP - Plymouth
D - DodgeC - Chrysler
Y - Imperial

AR Indicates use as required.

Indicates parts not listed in any previous parts book.

Numerals in parentheses () refer to notes.

★ Indicates change or addition.

Printed in U.S.A.
January 1971

CODE	PART NAME	ENG. TYPE OR CU.IN.	V	B	L	R	W	P	D	C	C	C	Y	PART NUMBER
			1-2	1-2	1-2	1-2	1-2	1-2	1-2	1	2	3	1	
8-33-0 HORN CONTROLS Cont'd														
8-33-17	CAP Cont'd													
	Horn Button, w/Simulated Wood Wheel													
	Medium Blue	1	—	1	1	1	—	—	—	—	—	—	—	4047 EB7
	Dark Green	1	—	1	1	1	—	—	—	—	—	—	—	4047 EF8
	Dark Red	1	—	1	1	1	—	—	—	—	—	—	—	4047 ER8
	Dark Tan	1	—	1	1	1	—	—	—	—	—	—	—	4047 ET8
	Black	1	—	1	1	1	—	—	—	—	—	—	—	4047 DX9
	Medium Gold	1	—	1	—	—	—	—	—	—	—	—	—	4047 EY4
	Horn Button, Padded, w/Simulated Wood Wheel,													
	Medium Blue	—	1	—	—	—	—	—	—	—	—	—	—	4047 EB7
	Dark Green	—	1	—	—	—	—	—	—	—	—	—	—	4047 EF8
	Dark Red	—	1	—	—	—	—	—	—	—	—	—	—	4047 ER8
	Dark Tan	—	1	—	—	—	—	—	—	—	—	—	—	4047 ET8
	Black	—	1	—	—	—	—	—	—	—	—	—	—	4047 DX9
	Full Horn Ring, Padded													
	Medium Blue	—	1	—	—	—	—	—	—	—	—	—	—	4049 EB7
	Dark Green	—	1	—	—	—	—	—	—	—	—	—	—	4049 EF8
	Dark Tan	—	1	—	—	—	—	—	—	—	—	—	—	4049 ET8
	Black	—	1	—	—	—	—	—	—	—	—	—	—	4049 DX9
	Full Horn Ring, w/3 Spoke Wheel,													
	Medium Blue	—	—	—	1	1	—	—	—	—	—	—	—	4046 EB7
	Dark Green	—	—	—	1	1	—	—	—	—	—	—	—	4046 EF8
	Dark Tan	—	—	—	1	1	—	—	—	—	—	—	—	4046 ET8
	Black	—	—	—	1	1	—	—	—	—	—	—	—	4046 DX9
	Medium Gold	—	—	—	—	1	—	—	—	—	—	—	—	4046 EY4
	Dark Red	—	—	—	1	1	—	—	—	—	—	—	—	4046 ER8
	w/Full Horn Ring, w/4 Spoke Wheel, w/o Tilt Strg. Wheel,													
	Medium Blue	—	—	—	—	—	—	1	1	—	—	—	—	4047 EB7
	Dark Green	—	—	—	—	—	—	1	1	—	—	—	—	4047 EF8
	Dark Red	—	—	—	—	—	—	1	—	—	—	—	—	4047 ER8
	Dark Tan	—	—	—	—	—	—	1	1	—	—	—	—	4047 ET8
	Black	—	—	—	—	—	—	1	1	—	—	—	—	4047 DX9
	Dark Gold	—	—	—	—	—	—	—	1	—	—	—	—	4047 EY8
8-33-20	HORN RING and PAD MTG. PLATE, Strg. Wheel,													
	w/Full Horn Ring, after approx. Nov. 1, 1969	1	1	1	1	1	—	—	—	—	—	—	—	2950 575
8-33-39	BUSHING, Horn Ring, w/4 Spoke Wheel, w/Partial Horn Ring, w/Tilt and Tilt-Telescopic Strg. Wheel	—	—	—	—	—	—	4	4	4	4	4	4	2950 182
8-33-90	SWITCH, Horn, w/o Full Horn Ring w/Full Horn Ring	1	1	1	1	1	—	—	—	—	—	—	—	2822 126
	w/o Full Horn Ring, w/o Tilt Strg. Wheel	1	1	1	1	1	—	—	—	—	—	—	—	2771 534
	w/Full Horn Ring, w/o Tilt and Tilt-Telescopic Steering Wheel	—	—	—	—	—	—	1	1	—	—	—	—	2822 126
	w/Full Horn Ring, w/o Tilt and Tilt-Telescopic Steering Wheel	—	—	—	—	—	—	1	1	1	1	1	1	2771 534
8-33-114	CABLE, Horn Ground NUT, Horn Ground Cable to Steering Column	1	1	1	1	1	—	—	—	—	—	—	—	2857 741
	Steering Column	1	1	1	1	1	—	—	—	—	—	—	—	6027 403
8-33-118	CAM, Horn Contact and Turn Signal Switch Cancelling, w/Saginaw Std. Column, w/o Tilt Strg. Wheel	—	—	—	—	—	—	—	1	—	—	—	—	2822 979
	w/Auto. Trans., w/Saginaw Std. Column, w/o Tilt and Telescopic Strg. Wheel	—	—	—	—	—	—	—	—	1	1	1	1	2822 979
	CONTACT, Horn, w/Partial Horn Ring, w/4 Spoke Wheel, w/Tilt Strg. Wheel	—	—	—	—	—	—	—	1	1	—	—	—	2925 573

TYPE LETTERS Indicates

B - Barracuda

V - Valiant
L - DartR - Belvedere
W - CoronetP - Plymouth
D - DodgeC - Chrysler
Y - Imperial

AR Indicates use as required.

= Indicates parts not listed in any previous parts book.

Numerals in parentheses () refer to notes.

★ Indicates change or addition.

Printed in U.S.A.
January 1971

CODE	PART NAME	ENG. TYPE OR CU.IN.	V	B	L	R	W	P	D	C	C	C	Y	PART NUMBER
			1-2	1-2	1-2	1-2	1-2	1-2	1-2	1	2	3	1	
8-33-0 HORN CONTROLS Cont'd														
8-33-118	CAM Cont'd w/Partial Horn Ring, w/4 Spoke Wheel, w/Tilt and Telescopic Strg. Wheel		—	—	—	—	—	—	—	1	1	1	1	2925 574
8-33-121	RING and FEED CABLE, Horn Contact		1	1	1	1	1	—	—	—	—	—	—	2822 187
	Export		1	—	—	—	—	—	—	—	—	—	—	3422 462
	w/o Tilt Steering Wheel		—	—	—	—	—	1	1	—	—	—	—	2822 187
	w/o Tilt and Telescopic Steering Wheel		—	—	—	—	—	—	—	1	1	1	1	2822 187
8-33-164	RELAY and BRACKET, Horn, 12 Volt		1	1	1	1	1	—	—	—	—	—	—	2822 461
	RELAY, Horn, 12 Volt		—	—	—	—	—	1	1	1	1	1	1	2926 327
	SCREW, Mtg.		1	1	1	1	1	—	—	—	—	—	—	6006 120
8-34-0 HEADLAMP														
8-34-1	HEADLAMP, Single Complete, Riteway Shift		1	1	1	—	—	—	—	—	—	—	—	2898 560-1
	Single, Complete, Leftway Shift, Export		1	1	1	—	—	—	—	—	—	—	—	2898 562-3
	High Beam		—	—	—	1	1	1	1	1	1	1	1	2786 872-3
	High and Low Beam, Riteway Shift		—	—	—	1	1	1	1	1	1	1	1	2786 876-7
	High and Low Beam, Leftway Shift, Export		—	—	—	1	1	1	1	1	1	1	1	2786 972-3
8-34-5	NUT, Headlamp Bezel, to Ext		4	—	4	—	—	—	—	—	—	—	—	6027 012
	U/NUT, Headlamp Bezel, to Rad. Grille End Brkt.		4	—	—	—	—	—	—	—	—	—	—	6026 634
	J/NUT, Headlamp Panel, to Rad. Yoke		4	4	4	—	—	—	—	—	—	—	—	6025 510
	U/NUT, Headlamp Bezel Att., W except Charger and Charger R/T		—	—	—	8	8	—	—	—	—	—	—	6026 634
	NUT, Headlamp Door Med. to Door, W-P Charger		—	—	—	—	2	—	—	—	—	—	—	1839 995
	NUT, Headlamp Door Name Plate to Door, W-P Charger, W-S Charger R/T		—	—	—	—	2	—	—	—	—	—	—	1839 995
	J/NUT, Actuator Brkt., to Grille Ext., W-P Charger, W-S Charger R/T		—	—	—	—	8	—	—	—	—	—	—	6023 166
	NUT, Headlamp Bezel Outboard Att., W Charger 500		—	—	—	—	4	—	—	—	—	—	—	2836 984
	U/NUT, Headlamp Bezel, Inner		—	—	—	—	—	4	—	—	—	—	—	6026 634
	U/NUT, Headlamp Bezel, Outer		—	—	—	—	—	—	4	—	—	—	—	6027 012
	U/NUT, Headlamp Hsg., to Grille Mtg. Panel		—	—	—	—	—	—	—	4	4	—	—	6025 507
8-34-8	BUZZER and BRACKET, Headlamp On Warning		1	1	1	—	—	—	—	1	1	1	—	2926 733
	w/o Safeguard Sentinel		—	—	—	1	1	1	1	—	—	—	—	3420 562
			—	—	—	—	—	—	—	—	—	—	1	2926 733
8-34-31	BRACKET, Headlamp Panel Upper C/Bar, W-P Charger, W-S Charger R/T		—	—	—	—	—	2	—	—	—	—	—	2786 922
	Headlamp Door Hsg. Bumper		—	—	—	—	—	—	—	—	—	—	4	2898 882
	SUPPORT, Headlamp Panel, W Charger 500		—	—	—	—	1	—	—	—	—	—	—	2836 997-8
8-34-37	TEXTURE, Headlamp Door		—	—	—	—	—	—	—	—	—	—	2	28985 18-9
8-34-40	BEZEL, Headlamp		1	—	—	—	—	—	—	—	—	—	—	28981 40-1
	L-L, L-H		—	1	—	—	—	—	—	—	—	—	—	2898 142-3
	L-P, L-S		—	—	1	—	—	—	—	—	—	—	—	2898 144-5
	R-K, R-T, R-L, R-H		—	—	—	1	—	—	—	—	—	—	—	2898 252-3
	R-M		—	—	—	1	—	—	—	—	—	—	—	2898 146-7
			—	—	—	—	—	—	—	—	—	—	—	2949 246-7

TYPE LETTERS Indicates

B - Barracuda

V - Valiant
L - DartR - Belvedere
W - CoronetP - Plymouth
D - DodgeC - Chrysler
Y - Imperial

AR Indicates use as required.

Indicates parts not listed in any previous parts book.

Numerals in parentheses () refer to notes.

★ Indicates change or addition.

Printed in U.S.A.
January 1971

CODE	PART NAME	ENG. TYPE OR CU.IN.	V	B	L	R	W	P	D	C	C	C	Y	PART NUMBER
			1-2	1-2	1-2	1-2	1-2	1-2	1-2	1	2	3	1	
8-34-0 HEADLAMP Cont'd														
8-34-40	BEZEL Cont'd													
	R-P, R-S		—	—	—	1	—	—	—	—	—	—	—	2898 148-9
	W-K, W-T, W-L, W-H		—	—	—	—	1	—	—	—	—	—	—	2898 150-1
	W-M, W-P except Charger W-S		—	—	—	—	—	—	—	—	—	—	—	
	2 D.H.T. and Cv. Cp.		—	—	—	—	1	—	—	—	—	—	—	2898 152-3
	P-K, P-T, P-E, P-L, P-M except		—	—	—	—	—	—	—	—	—	—	—	
	Sta. Wgn.		—	—	—	—	—	1	—	—	—	—	—	2898 154-5
	P-M Sta. Wgn., P-H, P-P		—	—	—	—	—	1	—	—	—	—	—	2898 156-7
			—	—	—	—	—	—	1	—	—	—	—	2898 160-1
	C-E, C-L		—	—	—	—	—	—	—	1	—	—	—	2898 162-3
	Sta. wgn. up to approx. Nov. 17, 1968		—	—	—	—	—	—	—	2	—	—	—	2898 166-7
	Sta. Wgn. after approx. Nov. 17, 1968		—	—	—	—	—	—	—	2	—	—	—	2998 428-9
			—	—	—	—	—	—	—	—	1	—	—	2898 164-5
	up to approx. Nov. 17, 1968		—	—	—	—	—	—	—	—	—	2	—	2898 166-7
	after approx. Nov. 17, 1968		—	—	—	—	—	—	—	—	—	2	—	2998 428-9
			—	—	—	—	—	—	—	—	—	—	1	2898 168-9
	DOOR, Headlamp, W-P Charger,		—	—	—	—	1	—	—	—	—	—	—	2898 916-7
	W-S Charger R/T		—	—	—	—	—	—	—	—	—	—	—	
		Rt.	—	—	—	—	—	—	—	—	1	—	—	2898 472
		Lt.	—	—	—	—	—	—	—	—	1	—	—	2898 919
			—	—	—	—	—	—	—	—	—	—	1	2898 514-5
	PANEL, Headlamp, W-P Charger,		—	—	—	—	1	—	—	—	—	—	—	2898 946-7
	W-S Charger R/T		—	—	—	—	—	—	—	—	—	—	—	
	Charger 500	Rt.	—	—	—	—	1	—	—	—	—	—	—	2836 986
		Lt.	—	—	—	—	1	—	—	—	—	—	—	2836 985
	PLATE, Headlamp Mtg.		—	—	—	—	—	—	—	—	—	—	1	2949 306-7
	BUSHING, Headlamp Door Idler End		—	—	—	—	—	—	—	2	—	—	—	6027 280
	BUSHING, Headlamp Door Idler End		—	—	—	—	—	—	—	—	—	—	2	6027 279
	BUSHING, Headlamp Door Housing		—	—	—	—	—	—	—	—	—	—	—	
	Drive End		—	—	—	—	—	—	—	2	—	—	2	6027 280
8-34-41	PLATE, Headlamp Door Texture Ret.		—	—	—	—	—	—	—	—	—	—	1	2898 522-3
8-34-45	BAR, Headlamp Door Torsion		—	—	—	—	—	—	—	—	1	—	—	2785 727
			—	—	—	—	—	—	—	—	—	—	1	2949 191
	RETAINER		—	—	—	—	—	—	—	2	—	—	2	6027 292
8-34-50	CRANK, Headlamp Door		—	—	—	—	—	—	—	2	—	—	—	2785 722
			—	—	—	—	—	—	—	—	—	—	2	2949 190
8-34-52	BUMPER Headlamp Door		—	—	—	—	—	—	—	—	4	—	—	2785 824
	Rotating Headlamp Motor Vibration		—	—	—	—	—	—	—	—	—	—	—	
	Damping		—	—	—	—	—	—	—	2	—	—	—	2842 869
	Headlamp Door Hsg.		—	—	—	—	—	—	—	—	—	—	4	2785 824
8-34-54	MEDALLION, Headlamp Door, W-P		—	—	—	—	—	—	—	—	—	—	—	
	Charger	Lt	—	—	—	—	1	—	—	—	—	—	—	2898 930
	MEDALLION, Headlamp Door, W-S		—	—	—	—	—	—	—	—	—	—	—	
	Charger R/T	Lt	—	—	—	—	1	—	—	—	—	—	—	2898 931
	NAME PLATE, Headlamp Door, W-S		—	—	—	—	—	—	—	—	—	—	—	
	Charger R/T	Lt.	—	—	—	—	1	—	—	—	—	—	—	2898 929
	NAME PLATE, Headlamp Door,		—	—	—	—	—	—	—	—	—	—	—	
	Imperial	Lt	—	—	—	—	—	—	—	—	—	—	1	2949 136
8-34-63	RETAINER, Headlamp Door, to Grille		—	—	—	—	—	—	—	—	—	—	—	
	Att., W-P Charger, W-S Charger		—	—	—	—	4	—	—	—	—	—	—	2197 678
	R/T		—	—	—	—	—	—	—	—	—	—	—	
8-34-96	SCREW, Headlamp Bezel to Grille		—	—	—	—	—	—	—	—	—	—	—	
	End Bracket		2	—	—	—	—	—	—	—	—	—	—	6027 176
	Headlamp Bezel to Ext		4	—	—	—	—	—	—	—	—	—	—	6027 176
	Headlamp Bulb Seat to Ret. Ring		—	—	—	—	—	—	—	—	—	—	—	
	Mtg.		6	6	6	—	—	—	—	—	—	—	—	6027 435
	Headlamp Bulb Mtg. Seat Adj.		—	—	—	—	—	—	—	—	—	—	—	
	Spring Mtg.		2	2	2	4	4	4	—	—	—	—	4	6027 517
	Headlamp Bezel to Grille		—	—	4	—	—	—	—	—	—	—	—	6025 974

TYPE LETTERS indicates

B - Barracuda

V - Valiant
L - DartR - Belvedere
W - CoronetP - Plymouth
D - DodgeC - Chrysler
Y - Imperial

AR Indicates use as required.

Indicates parts not listed in any previous parts book.

Numerals in parentheses () refer to notes.

★ Indicates change or addition.

Printed in U.S.A.
January 1971

CODE	PART NAME	ENG. TYPE OR CU.IN.	V	B	L	R	W	P	D	C	C	C	Y	PART NUMBER
			1-2	1-2	1-2	1-2	1-2	1-2	1-2	1	2	3	1	
8-34-0	HEADLAMP Cont'd													
8-34-96	SCREW Cont'd													
	Headlamp Bezel to Headlamp Panel Ext.				4									6028 239
	Headlamp Bulb Hi-Beam Ret. Ring Mtg.					6	6	6	6	6	6	6	6	6027 435
	Headlamp Bulb Hi-Lo Beam Ret. Ring Mtg.					6	6	6	6	6	6	6	6	6027 435
	Headlamp Bezel Att., R-P, R-S					6								6027 178
	Headlamp Door Actuator Bar to Door W-P Charger, W-S Charger R/T						8							6027 353
	Actuator Bracket to Grille Ext., W-P Charger, W-S Charger R/T						8							6024 953
	Headlamp Bezel Att., W-P Charger, W-S Charger R/T						10							6027 213
	Headlamp Bezel, Inner							4						6025 974
	Headlamp Bezel, Outer							4						6027 176
	Headlamp Bulb Mtg. Seat Adj. Spring Mtg.								4	4	4	4		6027 516
	Headlamp Hsg. to Yoke Bracket Brace									4				6025 329
	Headlamp Bezel to Hsg									6				6027 232
	Headlamp Hsg. to Fender Grille Mtg. Panel									4	4			6025 772
	Headlamp Door Adj.										2		2	6027 382
	Headlamp Bezel to Headlamp Hsg.										6			6025 909
	Headlamp Bezel to Grille												10	6027 213
	Headlamp Door to Actuator Bracket Brace												4	6024 953
	Headlamp Door to Hsg. Idler End												2	2785 728
	Headlamp Door Texture Ret. to Door												10	6025 972
8-34-115	ACTUATOR, Headlamp Door Vacuum, W-P Charger, W-S Charger R/T						2							2926 961
	NUT and WASHER, Mtg.						4							6025 004
8-34-120	TANK, BRACKET and CHECK VALVE, Headlamp Door Vacuum, W-P Charger, W-S Charger R/T						1							2889 965
8-34-123	TUBE and CONNECTOR, Headlamp Door Vacuum Control, W-P Charger, W-S Charger R/T						1							2926 337
8-34-125	CONNECTOR, Headlamp Door Vacuum Tubing, W-P Charger, W-S Charger R/T						1							2857 908
8-34-127	BAR, Headlamp Door Actuator, W-P Charger, W-S Charger R/T						2							2785 578
8-34-128	CLIP, Headlamp Door Vacuum Hose Att., W-P Charger, W-S Charger R/T						2							6015 288
	CLIP, Headlamp Door Vacuum Actuator Shaft, W-P Charger, W-S Charger R/T						2							2857 976
	RING, Headlamp Door Actuator Pin Ret										2		2	1922 183
8-34-175	SEALED BEAM UNIT, Single													
	Headlamp, Riteway Shift	2	2	2										152291
	Leftway Shift, Export	2	2	2										152 293
	High Beam				2	2	2	2	2	2	2	2	2	152 285
	High and Low Beam, Leftway Shift, Export				2	2	2	2	2	2	2	2	2	152 287
	High and Low Beam, Riteway Shift				2	2	2	2	2	2	2	2	2	152 286

TYPE LETTERS Indicates

B - Barracuda

V - Valiant
L - DartR - Belvedere
W - CoronetP - Plymouth
D - DodgeC - Chrysler
Y - Imperial

AR Indicates use as required.

Indicates parts not listed in any previous parts book.

Numerals in parentheses () refer to notes.

★ Indicates change or addition.

Printed in U.S.A.
January 1971

CODE	PART NAME	ENG. TYPE OR CU.IN.	V	B	L	R	W	P	D	C	C	C	Y	PART NUMBER
			1-2	1-2	1-2	1-2	1-2	1-2	1-2	1	2	3	1	
8-34-176	SEAT and SCREW, Single Headlamp Sealed Beam Unit		1	1	1	—	—	—	—	—	—	—	—	2898 568-9
	Dual Headlamp Sealed Beam Unit Mtg., High Beam		—	—	—	1	1	1	1	1	1	1	1	2786 882-3
	High and Low Beam		—	—	—	1	1	1	1	1	1	1	1	2786 884-5
8-34-177	SPRING, Headlamp Sealed Beam Unit Seat Adj.		2	2	2	4	4	4	4	4	4	4	4	2445 845
8-34-178	NUT and SCREW, Headlamp Adj.		4	4	4	8	8	8	8	8	8	8	8	2785 842
8-34-180	RING and LUG, Headlamp Sealed Beam Unit Ret.		2	2	2	—	—	—	—	—	—	—	—	2426 312
			—	—	—	4	4	4	4	4	4	4	4	2449 525
8-34-278	GEAR and GASKET PACKAGE, Rotating Headlamp		—	—	—	—	—	—	—	—	1	—	1	2932 919
8-34-280	MOTOR, Rotating Headlamp SCREW, Mtg.		—	—	—	—	—	—	—	—	1	—	1	3431 026
			—	—	—	—	—	—	—	—	3	—	3	6027 608
8-34-282	RELAY, Rotating Headlamp, up to approx. Dec. 16, 1968		—	—	—	—	—	—	—	—	1	—	1	2926 726
	after approx. Dec. 16, 1968		—	—	—	—	—	—	—	—	1	—	1	2983 414
8-34-291	BRACKET, Headlamp Door Actuator Mtg., W-P Charger, W-S Charger R/T		—	—	—	—	2	—	—	—	—	—	—	2785 883
			—	—	—	—	—	—	—	—	—	—	1	2949 204
8-34-296	SPRING, Headlamp Door Ret., W-P Charger, W-S Charger R/T		—	—	—	—	2	—	—	—	—	—	—	2898 873
			—	—	—	—	—	—	—	—	1	—	1	2785 892-3
	Headlamp Door Ret. Emerg.		—	—	—	—	—	—	—	—	2	—	2	2843 757
8-34-362	HOUSING, Headlamp, C-E, C-L		—	—	—	—	—	—	—	1	—	—	—	2898 464-5
			—	—	—	—	—	—	—	—	1	—	—	2898 478-9
			—	—	—	—	—	—	—	—	—	—	1	2898 512-3

8-35-0 IGNITION COIL, SWITCH AND LOCK CYLINDER

8-35-4	COIL, Ignition CONE WASHER, Coil Mtg., w/426 Eng.	8	1	1	1	1	1	1	1	1	1	1	1	2495 531
8-35-22	RESISTOR, Ignition Coil Primary		1	1	1	1	1	1	1	1	1	1	1	2275 590
8-35-41	BRACKET, Ignition Coil Mtg., on Coil	6	1	1	1	1	1	1	—	—	—	—	—	1688 207
	On Coil	8	1	—	—	—	—	—	—	—	—	—	—	2642 670
	On Coil, except 383 Eng.	8	—	1	1	—	—	—	—	—	—	—	—	2642 670
	On Coil, w/383 Eng.	8	—	1	1	—	—	—	—	—	—	—	—	1688 207
	On Coil, w/318 Eng.	8	—	—	—	1	1	1	1	—	—	—	—	2642 670
	On Coil, except 318 Eng.	8	—	—	—	1	1	1	1	—	—	—	—	1688 207
	Mtg., w/A/Cond., w/318 Eng.	8	—	—	—	1	1	—	—	—	—	—	—	2806 823
	On Coil	8	—	—	—	—	—	—	—	1	1	1	1	1688 207
8-35-52	SCREW, Ignition Coil Primary Resistor		1	1	1	1	1	1	1	1	1	1	1	6006 120
	SCREW and WASHER, Coil Mtg.	8	2	—	—	—	—	—	—	—	—	—	—	6026 919
	SCREW and WASHER, Coil Mtg., except 383 Eng.	8	—	2	2	—	—	—	—	—	—	—	—	6026 919
	SCREW and WASHER, Coil Mtg., w/o A/Cond., w/318 Eng.	8	—	—	—	2	2	2	2	—	—	—	—	6026 919
	SCREW and WASHER, Mtg., Bracket, w/A/Cond., w/318 Eng.	8	—	—	—	1	1	1	1	—	—	—	—	6026 919
	BOLT, Mtg. Bracket, w/A/Cond., w/318 Eng.	8	—	—	—	2	2	2	2	—	—	—	—	6026 912
8-35-59	SWITCH, Ignition and Starter		1	1	1	1	1	1	1	1	1	1	1	2864 463
8-35-85	BEZEL, Ignition and Starter Switch, Medium Blue		1	1	1	—	—	—	—	—	—	—	—	4114 EB7
	Dark Green		1	1	1	—	—	—	—	—	—	—	—	4114 EF8

TYPE LETTERS Indicates

B - Barracuda

V - Valiant
L - DartR - Belvedere
W - CoronetP - Plymouth
D - DodgeC - Chrysler
Y - Imperial

AR Indicates use as required.

Indicates parts not listed in any previous parts book.

Numerals in parentheses () refer to notes.

★ Indicates change or addition.

Printed in U.S.A.
January 1971

CODE	PART NAME	ENG. TYPE OR CU.IN.	V	B	L	R	W	P	D	C	C	C	Y	PART NUMBER
			1-2	1-2	1-2	1-2	1-2	1-2	1-2	1	2	3	1	
8-35-0 IGNITION COIL, SWITCH AND LOCK CYLINDER Cont'd														
8-35-85	BEZEL Cont'd.													
	Dark Red		1	1	1	—	—	—	—	—	—	—	—	4114 ER8
	Dark Tan		1	1	1	—	—	—	—	—	—	—	—	4114 ET8
	Black		1	1	1	—	—	—	—	—	—	—	—	4114 EX9
	Dark Gold		1	—	1	—	—	—	—	—	—	—	—	4114 EY8
	Dark Blue		—	—	—	—	—	—	—	1	1	1	1	4523 EB9
	Briar		—	—	—	—	—	—	—	1	1	1	—	4523 EE9
	Dark Green		—	—	—	—	—	—	—	1	1	1	1	4523 EF8
	Black		—	—	—	—	—	—	—	1	1	1	1	4523 EX9
	Dark Turquoise		—	—	—	—	—	—	—	1	—	1	1	4523 EQ8
	Dark Tan		—	—	—	—	—	—	—	1	1	1	—	4523 ET8
	Dark Red		—	—	—	—	—	—	—	—	—	—	1	4523 ER8
	Dark Gold		—	—	—	—	—	—	—	—	—	—	1	4523 EY8
	Burgundy		—	—	—	—	—	—	—	—	—	—	1	4523 EM9
	Dark Tan		—	—	—	—	—	—	—	—	—	—	1	4523 ET9
8-35-95	RETAINER, Ignition and Starter Switch		1	1	1	1	1	1	—	1	1	1	1	2947 005
			—	—	—	—	—	—	1	—	—	—	—	2864 350
8-35-115	CYLINDER PACKAGE, Ignition Lock		1	1	1	1	1	1	1	1	1	1	1	2935 906

8-36-0 IGNITION

8-36-1	CABLE SET, Ignition, Resistor Type	6	1	1	1	1	1	1	—	—	—	—	—	2495 510
	Resistor Type	8	1	—	—	—	—	—	—	—	—	—	—	3004 192
	Resistor Type, except 383 Eng.	8	—	1	1	—	—	—	—	—	—	—	—	3004 192
	Resistor Type, w/383 Eng.	8	—	1	1	—	—	—	—	—	—	—	—	2932 935
	Resistor Type, w/318 Eng.	8	—	—	—	1	1	1	1	—	—	—	—	3004 192
	resistor type, w/383 and 440 eng.	8	—	—	—	1	1	—	—	—	—	—	—	2932 934
	Resistor Type, w/426 Eng., except Sta. Wgn.	8	—	—	—	1	1	—	—	—	—	—	—	2586 991
	Resistor Type, w/383 and 440 Eng.	8	—	—	—	—	—	1	1	1	1	1	1	2932 935
	CABLE PACKAGE, Resistor Type	8	8	—	—	—	—	—	—	—	—	—	—	2525 534
	CABLE PACKAGE, Resistor Type, except 383 Eng.	8	—	8	8	—	—	—	—	—	—	—	—	2525 534
	CABLE PACKAGE, Resistor Type, w/383 Eng.	8	—	8	8	—	—	—	—	—	—	—	—	2808 771
	CABLE PACKAGE, Resistor Type, w/318 Eng.	8	—	—	—	8	8	8	8	—	—	—	—	2525 534
	CABLE PACKAGE, Resistor Type, w/383 and 440 Eng.	8	—	—	—	8	8	8	8	8	8	8	8	2808 771
	CABLE PACKAGE, Resistor Type, w/426 Eng., except Sta. Wgn., No. 5 and 7 Cable	8	—	—	—	2	2	—	—	—	—	—	—	2809 090
	CABLE PACKAGE, Resistor Type, w/426 Eng., except Sta. Wgn., except No. 5 and 7 Cable	8	—	—	—	6	6	—	—	—	—	—	—	2586 993
8-36-4	BRACKET, Spark Plug Wire, Front													
	Center, w/383 Eng.	8	—	1	1	—	—	—	—	—	—	—	—	2951 536
	Front Right, w/383 Eng.	8	—	1	1	—	—	—	—	—	—	—	—	2951 535
	Front Left Intermediate, w/383 Eng.	8	—	1	1	—	—	—	—	—	—	—	—	2946 443
	Front Left, w/383 Eng.	8	—	1	1	—	—	—	—	—	—	—	—	2536 762
	Front Center, w/383 and 440 Eng.	8	—	—	—	1	1	1	1	—	—	—	—	2951 536
	Front Right, w/383 and 440 Eng.	8	—	—	—	1	1	1	1	—	—	—	—	2951 535
	Front Left Intermediate, w/383 and 440 Eng.	8	—	—	—	1	1	1	1	—	—	—	—	2946 443
	Front Left, w/383 and 440 Eng.	8	—	—	—	1	1	1	1	—	—	—	—	2951 534
	Front, w/426 Wgn., except Sta. Wgn.	8	—	—	—	1	1	—	—	—	—	—	—	2951 546
	Front Center	8	—	—	—	—	—	—	—	1	1	1	1	2951 536
	Front Right	8	—	—	—	—	—	—	—	1	1	1	1	2951 535
	Front Left Intermediate	8	—	—	—	—	—	—	—	1	1	1	1	2946 443
	Front Left	8	—	—	—	—	—	—	—	1	1	1	1	2951 534

TYPE LETTERS Indicates

B - Barracuda

V - Valiant

L - Dart

R - Belvedere

W - Coronet

P - Plymouth

D - Dodge

C - Chrysler

Y - Imperial

AR Indicates use as required.

Indicates parts not listed in any previous parts book.

Numerals in parentheses () refer to notes.

★ Indicates change or addition.

Printed in U.S.A.

January 1971

CODE	PART NAME	ENG. TYPE OR CU.IN.	V	B	L	R	W	P	D	C	C	C	Y	PART NUMBER
			1-2	1-2	1-2	1-2	1-2	1-2	1-2	1	2	3	1	
8-36-0 IGNITION Cont'd														
8-36-14	SEPARATOR, Spark Plug Cable	8	1	1	1	1	1	1	1	1	1	1	1	1841 499
	Except 383 Eng., Four Wire, Rr.	8	2	2	2	—	—	—	—	—	—	—	—	2875 604
	Except 383 Eng., Two Wire, Rr.	8	2	2	2	—	—	—	—	—	—	—	—	2875 605
	w/318 Eng., Four Wire, Rr.	8	—	—	—	2	2	2	2	—	—	—	—	2875 604
	w/318 Eng., Two Wire, Rr.	8	—	—	—	2	2	2	2	—	—	—	—	2875 605
	w/383 Eng., Four Wire	8	—	2	2	—	—	—	—	—	—	—	—	2875 719
	w/383 and 440 Eng., Four Wire	8	—	—	—	3	3	3	3	3	3	3	3	2875 719
8-36-49	CABLE, Ignition Coil Secondary	6	1	1	1	1	1	1	—	—	—	—	—	2095 773
	w/Chrysler Built Dist., B except													
	383 Eng., L except 383 Eng.	8	1	1	1	—	—	—	—	—	—	—	—	2444 469
	w/Prestolite Built Dist., B except													
	383 Eng., L except 383 Eng.	8	1	1	1	—	—	—	—	—	—	—	—	2095 776
	w/Chrysler Built Dist., w/383 Eng.	8	—	1	1	1	1	1	1	—	—	—	—	2095 772
	w/Prestolite Built Dist., w/383 Eng.	8	—	1	1	1	1	1	1	—	—	—	—	2095 775
	w/318 Eng.	8	—	—	—	1	1	1	1	—	—	—	—	2444 469
	w/Prestolite Built Dist., w/426 Eng.,													
	except Sta. Wgn.	8	—	—	—	1	1	—	—	—	—	—	—	2095 776
	w/Prestolite Built Dist., w/440 Eng.,													
	w/H/Perf., R-S, W-S	8	—	—	—	1	1	—	—	—	—	—	—	2095 775
	w/Chrysler Built Dist., w/440 Eng.,													
	w/H/Perf., R-S, W-S	8	—	—	—	1	1	—	—	—	—	—	—	2095 772
	w/Chrysler Built Dist., w/440 Eng.	8	—	—	—	—	—	1	1	1	1	1	1	2095 772
	w/Prestolite Built Dist., w/440 Eng.	8	—	—	—	—	—	1	1	1	1	1	1	2095 775
8-36-83	CABLE, Spark Plug, No. 1 and 6													
	cable	6	2	2	2	2	2	2	2	—	—	—	—	2444 024
	No. 2 and 5 cable	6	2	2	2	2	2	2	2	—	—	—	—	2444 025
	No. 3 and 4 cable	6	2	2	2	2	2	2	2	—	—	—	—	2444 031
8-36-92	GROMMET, Spark Plug Cable													
	Positioning, w/383 Eng.	8	—	2	2	1	1	2	2	2	—	—	—	2098 980
	w/426 Eng., except Sta. Wgn.	8	—	—	—	4	4	—	—	—	—	—	—	2098 980
	w/440 Eng., w/H/Perf., R-S, W-S	8	—	—	—	1	1	—	—	—	—	—	—	2098 980
	w/440 Eng.	8	—	—	—	—	—	2	2	2	2	2	2	2098 980
8-36-96	NIPPLE, Coil Secondary Cable,													
	Coil End		1	1	1	1	1	1	1	1	1	1	1	2095 768
	Coil Secondary Cable, Dist End		1	1	1	1	1	1	1	1	1	1	1	2095 766
	Spark Plug Cable, Dist. End		AR	AR	AR	AR	AR	AR	AR	AR	AR	AR	AR	2095 766
8-36-114	PLUG, Spark, Champion N-14Y	6	6	6	6	6	6	6	—	—	—	—	—	2098 381
	Champion N-14Y, w/273 and 318													
	Eng.	8	8	—	8	—	—	—	—	—	—	—	—	2098 381
	Champion N-14Y, w/318 Eng.	8	—	8	—	8	8	8	8	—	—	—	—	2098 381
	Champion N-9Y, w/340 Eng.	8	—	8	8	—	—	—	—	—	—	—	—	2098 378
	Champion J-11Y, w/383 Eng.,													
	w/1-4 bbl. Carburetor	8	—	8	8	8	8	8	8	—	—	—	—	2642 913
	Champion J-14Y, w/383 Eng.,													
	w/2 bbl. Carburetor	8	—	—	—	8	8	8	8	8	—	—	—	2444 870
	Champion N-10Y, w/426 Eng.,													
	except Sta. Wgn.	8	—	—	—	8	8	—	—	—	—	—	—	2642 618
	Champion J-11Y, w/440 Eng.,													
	w/H/Perf., R-S, W-S, P except													
	Sta. Wgn., D except Sta. Wgn.,													
	C-E, C-L	8	—	—	—	8	8	8	8	8	8	8	—	2642 913
	Champion J-11Y, w/440 Eng.,													
	Std., except Sta. Wgn., except													
	Low Compression Ratio	8	—	—	—	—	—	8	8	—	—	—	—	2642 913
	Champion J-13Y, w/440 Eng., Std.,													
	w/Low Compression Ratio	8	—	—	—	—	—	8	8	—	—	—	—	2642 475
	Champion J-14Y, w/440 Eng., Std.,													
	w/Low Compression Ratio, C-P													
	Champion J-13Y, w/440 Eng., Std.,													
	w/o Low Compression Ratio, B-P													
TYPE LETTERS Indicates			V - Valiant	B - Belvedere	L - Dart	R - Belvedere	W - Coronet	P - Plymouth	D - Dodge	C - Chrysler	C - Imperial	Y - Imperial		
AR Indicates use as required.			Numerals in parentheses () refer to notes.										Printed in U.S.A.	
# Indicates parts not listed in any previous parts book.			★ Indicates change or addition.										January 1971	

CODE	PART NAME	ENG. TYPE OR CU.IN.	V	B	L	R	W	P	D	C	C	C	Y	PART NUMBER
			1-2	1-2	1-2	1-2	1-2	1-2	1-2	1	2	3	1	
8-36-115	GASKET, Spark Plug	8	8	8	8	—	—	8	8	8	8	8	8	2642 919
	Except 426 Eng.	8	—	—	—	8	8	—	—	—	—	—	—	2642 919
8-36-124	SHIELD, Spark Plug Heat, w/383 Eng.	8	—	2	2	—	—	—	—	—	—	—	—	2951 347
	w/383 and 440 Eng., Rt.	8	—	—	—	1	1	—	—	—	—	—	—	2951 347
	w/383 Eng., w/2 bbl. Carburetor,													
	Lt.	8	—	—	—	1	1	—	—	—	—	—	—	2206 006
	w/383 Eng., w/1-4 bbl. Carburetor,													
	Lt.	8	—	—	—	1	1	—	—	—	—	—	—	2806 983
	w/440 Eng., H/Perf., R-S, W-S	8	—	—	—	1	1	—	—	—	—	—	—	2806 983
	w/383 and 440 Eng.	8	—	—	—	—	—	2	2	2	2	2	2	2951 347
8-36-136	TUBE, Spark Plug	6	6	6	6	6	6	6	6	—	—	—	—	2121 245
	w/426 Eng., except Sta. Wgn.	8	—	—	—	8	8	—	—	—	—	—	—	2780 567
8-36-137	SEAL, Spark Plug Tube	6	6	6	6	6	6	6	6	—	—	—	—	1947 708
	w/426 Eng., except Sta. Wgn.	8	—	—	—	8	8	—	—	—	—	—	—	2468 196

8-37-0 INSTRUMENT PANEL INSTRUMENTS

8-37-1	AMMETER		1	—	—	—	—	—	—	—	—	—	—	2857 475
			—	1	—	—	—	—	—	—	—	—	—	2771 641
	AMMETER AND OIL INDICATOR		—	—	1	—	—	—	—	—	—	—	—	2771 169
	AMMETER, 40 Amp., R-T, R-L, R-M,													
	R-H, R-P, R-S, W-T, W-L, W-H, W-P													
	except Charger, W-S 2 D.H.T. and													
	Cv. Cp., w/o Rallye Instrument													
	Panel		—	—	—	1	1	—	—	—	—	—	—	2857 004
	60 Amp., w/Calibrated Speedometer,													
	w/65 Amp. Compact Leece-Neville													
	Alternator, R-K, R-T, R-L, R-M,													
	W-K, W-T, W-L		—	—	—	1	1	—	—	—	—	—	—	2857 005
	W-M, W-P Charger, W-S Charger													
	R/T, W-S 2 D.H.T. and Cv. Cp.													
	w/Rallye Instrument Panel		—	—	—	—	1	—	—	—	—	—	—	2857 169
	40 Amp.		—	—	—	—	—	1	—	—	—	—	—	2927 047
	60 Amp., w/Calibrated Speedometer,													
	w/65 Amp. Compact Leece-Neville													
	Alternator		—	—	—	—	—	1	—	—	—	—	—	2927 048
	40 Amp.		—	—	—	—	—	—	1	—	—	—	—	2927 101
	60 Amp., w/Calibrated Speedometer,													
	w/65 Amp. Compact Leece-Neville													
	Alternator		—	—	—	—	—	—	1	—	—	—	—	2927 102
			—	—	—	—	—	—	—	1	1	1	—	2927 223
	Wood Grain Face		—	—	—	—	—	—	—	—	—	—	1	2927 321
	Black Face		—	—	—	—	—	—	—	—	—	—	1	2984 887
8-37-2	LIMITER, Instrument Voltage		1	—	1	1	1	—	—	1	1	1	1	2258 413
			—	—	—	—	—	1	—	—	—	—	—	2209 216
8-37-7	CABLE, Voltage Limiter to Fuel and Temp.													
	Gage		—	—	—	—	—	1	—	—	—	—	—	2822 012
8-37-14	CLOCK, w/o Tach., Charger		—	—	—	—	1	—	—	—	—	—	—	2857 182
	Canada		—	—	—	—	—	—	—	—	—	—	1	2927 337
	Canada		—	—	—	—	—	—	—	—	—	—	—	2947 297
8-37-15	LAMP, Aux. Switch Title		—	—	—	—	—	1	—	—	—	—	—	2947 295
			—	—	—	—	—	—	1	—	—	—	—	2864 375
	Switch Title		—	—	—	—	—	—	1	—	—	—	—	2864 376
8-37-16	LENS, switch title lamp		—	—	—	—	—	—	—	—	—	—	1	2926 761
8-37-70	RELAY and WIRING, Low Fuel Signal		—	—	—	—	—	—	—	—	—	—	—	
8-37-75	LAMP, Reverse Indicator, w/4 Speed													
	Manual Trans.		1	1	1	—	—	—	—	—	—	—	—	2947 202
	318 Eng.	8	—	—	—	1	1	—	—	—	—	—	—	2947 265

TYPE LETTERS Indicates

B - Barracuda

V - Valiant
L - DartR - Belvedere
W - CoronetP - Plymouth
D - DodgeC - Chrysler
Y - Imperial

AR Indicates use as required.

Indicates parts not listed in any previous parts book.

Numerals in parentheses () refer to notes.

★ Indicates change or addition.

Printed in U.S.A.
January 1971

CODE	PART NAME	ENG.	V	B	L	R	W	P	D	C	C	C	Y	PART NUMBER
		TYPE OR CU.IN.	1-2	1-2	1-2	1-2	1-2	1-2	1-2	1	2	3	1	
8-37-0 INSTRUMENT PANEL INSTRUMENTS Cont'd														
8-37-88	SOCKET, Low Oil Pressure Indicator Lamp, on Printed Circuit Board, W-K, W-T, W-L, W-H, W-P except Charger, W-S 2 D.H.T. and Cv. Cp., w/o R/T Rallye Instrument Panel		1	—	1	1	1	—	1	—	—	—	—	2496 279
	Oil Warning Indicator Lamp		—	—	—	—	—	1	—	1	1	1	—	1753 632
	Lock Door Warning Lamp, on Printed Circuit Board		—	—	—	—	—	—	—	1	1	1	—	2496 279
	Temperature Indicator Lamp		—	—	—	—	—	—	—	2	2	2	—	1753 632
	Seat Belt Warning Lamp		—	—	—	—	—	—	—	1	1	1	—	2096 374
	Warning Lamp, on Printed Circuit Board		—	—	—	—	—	—	—	—	—	—	5	2496 279
8-37-90	BEZEL, Speedometer and Instrument Cluster		1	—	—	—	—	—	—	—	—	—	—	2857 465
	w/A/Cond., w/Trim PLATES		—	1	—	—	—	—	—	—	—	—	—	2927 704
	w/o A/Cond., w/Trim PLATES		—	1	—	—	—	—	—	—	—	—	—	2927 703
	w/o A/Cond., w/o Trim Plates		—	1	—	—	—	—	—	—	—	—	—	2927 705
	w/A/Cond., w/o Trim Plates		—	1	—	—	—	—	—	—	—	—	—	2927 706
	BEZEL, LENS and MASK PACKAGE, Mile		—	—	1	—	—	—	—	—	—	—	—	2984 871
	Kilo		—	—	1	—	—	—	—	—	—	—	—	2822 137
	BEZEL, R-K, R-T, R-L, R-M, W-K, W-T, W-L		—	—	—	1	1	—	—	—	—	—	—	2822 880
	W-M, W-P Charger, W-S Charger R/T, W-S 2 D.H.T. and Cv. Cp. w/R/T Rallye Instrument Panel		—	—	—	—	1	—	—	—	—	—	—	2927 879
	w/o Rr. Window Defogger, except Sta. Wgn. and Cv. Cp.		—	—	—	—	—	1	—	—	—	—	—	2927 056
	w/Rr. Window Defogger, w/Acc. Switch		—	—	—	—	—	1	—	—	—	—	—	2927 881
			—	—	—	—	—	—	1	—	—	—	—	2927 419
	w/AM Radio w/Stereo Player, w/AM/FM Multiplex w/Stereo Tape		—	—	—	—	—	—	—	1	1	1	—	2927 207
	w/Radio Search Tuner AM/FM		—	—	—	—	—	—	—	1	1	1	—	2927 206
	w/Radio 5 1/2 Watt Deluxe		—	—	—	—	—	—	—	1	1	1	—	2927 205
	w/o Radio		—	—	—	—	—	—	—	1	1	1	—	2927 802
	BEZEL and PLATE, Speedometer and Instrument Cluster Switch, Mile, w/o radio, up to approx. April 1, 1969		—	—	—	—	—	—	—	—	—	—	1	2927 501
	BEZEL, speedometer and instrument cluster, mile, w/o radio, after approx. April 1, 1969		—	—	—	—	—	—	—	—	—	—	1	2984 746
	BEZEL and PLATE, speedometer and instrument cluster switch, mile, w/radio search tuner AM/FM, up to approx. April 1, 1969		—	—	—	—	—	—	—	—	—	—	1	2927 499
	kilo, up to approx. April 1, 1969		—	—	—	—	—	—	—	—	—	—	1	2927 502
	BEZEL, speedometer and instrument cluster, mile, w/radio search tuner AM/FM, after approx. April 1, 1969		—	—	—	—	—	—	—	—	—	—	1	2984 744
	kilo, after approx. April 1, 1969		—	—	—	—	—	—	—	—	—	—	1	2984 745
	BEZEL and PLATE, speedometer and instrument cluster switch, mile, w/AM/FM multiplex, w/stereo tape, up to approx. April 1, 1969		—	—	—	—	—	—	—	—	—	—	1	2927 500
	kilo, up to approx. April 1, 1969		—	—	—	—	—	—	—	—	—	—	1	2927 503
	BEZEL, speedometer and instrument cluster, mile, w/AM/FM multiplex, w/stereo tape, after approx. April 1, 1969		—	—	—	—	—	—	—	—	—	—	1	2984 747
	kilo, after approx. April 1, 1969		—	—	—	—	—	—	—	—	—	—	1	2984 748

TYPE LETTERS Indicates

B - Barracuda

V - Valiant
L - DartR - Belvedere
W - CoronetP - Plymouth
D - DodgeC - Chrysler
Y - Imperial

AR Indicates use as required.

≠ Indicates parts not listed in any previous parts book.

Numerals in parentheses () refer to notes.

★ Indicates change or addition.

Printed in U.S.A.

January 1971

CODE	PART NAME	ENG. TYPE OR CU.IN.	V	B	L	R	W	P	D	C	C	C	Y	PART NUMBER
			1-2	1-2	1-2	1-2	1-2	1-2	1	2	3	1		
8-37-0 INSTRUMENT PANEL INSTRUMENTS Cont'd														
8-37-91	TRIM PLATE, Speedometer and Instrument Cluster Bezel, w/R/T Rallye Instrument Panel Center, w/R/T Rallye Instrument Panel		—	1	—	—	—	—	—	—	—	—	—	2927 712-3
			—	1	—	—	—	—	—	—	—	—	—	2927 714
8-37-93	CONTACT, Oil Warning Indicator Lamp Socket		—	—	—	—	—	1	—	1	1	1	—	2256 966
	Temperature Indicator Lamp Socket		—	—	—	—	—	—	—	2	2	2	—	2256 966
8-37-101	COVER, Speedometer Instrument Cluster, w/o A/Cond., w/o Auto. Temp. Control		—	—	—	—	—	—	—	—	—	—	1	2927 408
8-37-127	GAGE, Vacuum		—	1	—	—	—	—	—	—	—	—	—	2927 723
8-37-136	GAGE, Temperature		1	—	—	—	—	—	—	—	—	—	—	2857 474
			—	1	—	—	—	—	—	—	—	—	—	2771 639
			—	—	1	—	—	—	—	—	—	—	—	2771 168
	W-K, W-T, W-L, W-H, W-P except Charger, W-S 2 D. H.T. and Cv. Cp. w/o R/T rallye instrument panel		—	—	—	1	1	—	—	—	—	—	—	2857 003
	W-M, W-P Charger, W-S Charger R/T, W-S 2 D. H.T. and Cv. Cp. w/R/T Rallye Instrument Panel		—	—	—	—	—	1	—	—	—	—	—	2857 170
			—	—	—	—	—	—	1	—	—	—	—	2984 238
			—	—	—	—	—	—	—	1	—	—	—	2927 100
	TEMPERATURE and FUEL, w/Wood Grain Face		—	—	—	—	—	—	—	—	—	—	1	2984 245
	w/Black Face		—	—	—	—	—	—	—	—	—	—	1	2984 896
8-37-138	TEE, Vacuum Gage Hose Connector, w/A/Cond., w/Heater		—	1	—	—	—	—	—	—	—	—	—	1886 109
8-37-139	GROMMET, Vacuum Gage Hose Dash		—	1	—	—	—	—	—	—	—	—	—	1886 101
8-37-155	SENDING UNIT, Temperature Gauge Except 318 Eng.		—	1	1	—	—	1	—	—	—	—	1	2426 458
			1	—	—	—	—	—	1	—	—	—	—	2426 458
			—	—	1	1	—	—	—	—	—	—	—	2426 458
	SWITCH, Temperature Sending Unit		—	—	—	—	—	—	—	1	1	1	1	2857 562
8-37-160	MASK, speedometer and inst. cluster, mile kilo		—	—	1	—	—	—	—	—	—	—	—	2771 149
			—	—	1	—	—	—	—	—	—	—	—	2771 150
8-37-162	LENS, Tachometer, L-P, L-S 2 D. H.T. and Cr. Cp., D-M, D-H Speedometer and Instrument Cluster, W-M, W-P, Charger, W-S Charger R/T, W-S 2 D. H.T. and Cv. Cp. w/R/T Rallye Instrument Panel	8	—	—	1	—	—	—	—	—	—	—	—	2631 886
			—	—	—	—	—	—	1	—	—	—	—	2631 886
			—	—	—	—	—	—	—	—	—	—	—	2889 693
			—	—	—	—	—	—	1	—	—	—	—	2927 037
			—	—	—	—	—	—	—	1	1	1	—	2927 234
			—	—	—	—	—	—	—	—	—	—	1	2927 336
	Vacuum Gage, w/Console		—	—	—	—	—	—	—	1	1	1	—	2631 886
	LENS and MASK, Speedometer and Instrument Cluster, 120 Mile, R except R-S, W-K, W-T, W-L, W-H, W-P except Charger		—	—	—	1	1	—	—	—	—	—	—	2927 624
	150 Mile, R-S, W-S 2 D. H.T. and Cv. Cp. w/o R/T Rallye Instrument Panel		—	—	—	1	1	—	—	—	—	—	—	2927 625
	Kilo, W-L, W-H, W-P except Charger, W-S 2 D. H. T., and Cv. Cp., w/o R/T Rallye Instrument Panel		—	—	—	1	1	—	—	—	—	—	—	2889 150
			—	—	—	—	—	—	1	—	—	—	—	2927 089
8-37-170	CLIP, Speedometer and Instrument Cluster Lens to Hsg., W-M, W-P Charger, W-S Charger R/T, W-S 2 D. H. T. and Cv. Cp. w/R/T Rallye Instrument Panel		—	—	—	—	—	9	—	—	8	8	8	9
			—	—	—	—	—	—	—	—	8	8	8	9

TYPE LETTERS Indicates V - Valiant L - Dart R - Belvedere W - Coronet P - Plymouth D - Dodge C - Chrysler Y - Imperial B - Barracuda

AR Indicates use as required.
Indicates parts not listed in any previous parts book.

Numerals in parentheses () refer to notes.
★ Indicates change or addition.

Printed in U.S.A.
January 1971

CODE	PART NAME	ENG. TYPE OR CU.IN.	V	B	L	R	W	P	D	C	C	C	Y	PART NUMBER
			1-2	1-2	1-2	1-2	1-2	1-2	1	2	3	1		
8-37-0 INSTRUMENT PANEL INSTRUMENTS Cont'd														
8-37-178	HOUSING, Speedometer and Instrument Cluster		1	—	—	—	—	—	—	—	—	—	—	2771 201
			—	1	—	—	—	—	—	—	—	—	—	2857 671
	HOUSING PACKAGE, Mile Kilo		—	—	1	—	—	—	—	—	—	—	—	2822 138
			—	—	1	—	—	—	—	—	—	—	—	2822 139
	HOUSING, R-K, R-T, R-L, R-H, R-P, R-S, W-K, W-T, W-L, W-H, W-P except Charger, W-S 2 D. H.T. and Cv. Cp. w/o R/T Rallye Instrument Panel		—	—	—	1	1	—	—	—	—	—	—	2857 011
	W-M, W-P Charger, W-S Charger R/T, W-S 2 D. H.T. and Cv. Cp. w/R/T Rallye Instrument Panel		—	—	—	—	1	—	—	—	—	—	—	2889 694
			—	—	—	—	—	1	—	—	—	—	—	2927 665
			—	—	—	—	—	—	1	—	—	—	—	2927 108
			—	—	—	—	—	—	—	1	1	1	—	2927 937
			—	—	—	—	—	—	—	—	—	—	1	2927 938
8-37-188	SCREW, Speedometer and Instrument Cluster Hsg. to Bezel		—	8	—	—	—	—	—	—	—	—	—	2291 327
	SCREW, Clock, Tachometer, Vacuum Gage or Cover Mtg.		—	3	—	—	—	—	—	—	—	—	—	2291 327
	SCREW, Speedometer and Instrument Cluster Mtg.		—	—	—	—	—	4	—	—	—	—	—	6024 654
8-37-275	GAGE, Fuel		1	—	—	—	—	—	—	—	—	—	—	2857 473
			—	1	—	—	—	—	—	—	—	—	—	2771 638
			—	—	1	—	—	—	—	—	—	—	—	2771 167
	W-K, W-T, W-L, W-H, W-P except Charger, W-S 2 D. H. T. and Cv. Cp. w/o R/T Rallye Instrument Panel		—	—	—	1	1	—	—	—	—	—	—	2857 002
	W-M, W-P Charger, W-S Charger R/T, W-S 2 D. H.T. and Cv. Cp. w/R/T Rallye Instrument Panel		—	—	—	—	1	—	—	—	—	—	—	2857 172
			—	—	—	—	—	1	—	—	—	—	—	2927 045
			—	—	—	—	—	—	1	—	—	—	—	2927 099
			—	—	—	—	—	—	—	1	1	1	—	2927 225
8-37-313	ADAPTER, Oil Pressure Sending Unit, W-P Charger, P-K, P-T, P-E, P-L	6	—	1	—	—	1	1	—	—	—	—	—	2661 429
8-37-316	GAGE, Oil		—	1	—	—	—	—	—	—	—	—	—	2771 640
	Oil Pressure, W-M, W-P Charger, W-S Charger R/T, W-S 2 D. H.T. and Cv. Cp. w/R/T Rallye Instrument Panel		—	—	—	—	1	—	—	—	—	—	—	2857 171
	Oil Pressure, W-K, W-T, W-L, W-H, W-P except Charger		—	—	—	1	1	—	—	—	—	—	—	2836 733
	Oil, P-K, P-T, P-E, P-L		—	—	—	—	—	1	—	—	—	—	—	2984 068
	Oil Pressure, Wood Grain Face		—	—	—	—	—	—	—	—	—	—	1	2927 319
	Oil Pressure, Black Face		—	—	—	—	—	—	—	—	—	—	1	2984 888
8-37-322	HEAT SHIELD, Oil Sending Unit, w/426 Eng., except Sta. Wgn.	8	—	—	1	1	—	—	—	—	—	—	—	2781 298
8-37-372	SPEEDOMETER, Mile		1	—	—	—	—	—	—	—	—	—	—	2857 476
	Kilo		1	—	—	—	—	—	—	—	—	—	—	2857 477
	120 Mile, w/o R/T Rallye Instrument Panel		—	1	—	—	—	—	—	—	—	—	—	2927 718
	150 Mile, w/R/T Rallye Instrument		—	1	—	—	—	—	—	—	—	—	—	2927 719
	240 Kilo		—	1	—	—	—	—	—	—	—	—	—	2889 426
	Mile		—	—	1	—	—	—	—	—	—	—	—	2889 017
	Kilo		—	—	1	—	—	—	—	—	—	—	—	2889 018

TYPE LETTERS Indicates

B - Barracuda

V - Valiant
L - DartR - Belvedere
W - CoronetP - Plymouth
D - DodgeC - Chrysler
Y - Imperial

AR Indicates use as required.

Indicates parts not listed in any previous parts book.

Numerals in parentheses () refer to notes.

★ Indicates change or addition.

Printed in U.S.A.
January 1971

CODE	PART NAME	ENG.	V	B	L	R	W	P	D	C	C	C	Y	PART NUMBER
		TYPE OR CU.IN.	1-2	1-2	1-2	1-2	1-2	1-2	1-2	1	2	3	1	
8-37-0 INSTRUMENT PANEL INSTRUMENTS Cont'd														
8-37-372	SPEEDOMETER Cont'd													
	120 Mile, R-T, R-L, R-M, R-H, R-P, W-T, W-L, W-H, W-P except Charger					1	1							2822 893
	150 Mile, R-S, W-S 2 D. H. T. and Cv. Cp. w/o R/T Rallye Instrument Panel					1	1							2857 721
	200 Kilo, W-L, W-H, W-P except Charger, W-S 2 D. H. T. and Cv. Cp. w/o R/T Rallye Instrument Panel					1	1							2822 894
	Mile, Certified, R-K, R-T, R-L, R-M, W-K, W-T, W-L					1	1							2822 895
	150 Mile, W-M, W-P Charger, W-S Charger R/T, W-S 2 D. H.T. and Cv. Cp. w/R/T Rallye Instrument Panel							1						2857 163
	240 Kilo, W-M, W-P Charger, W-S Charger R/T, W-S 2 D. H. T. and Cv. Cp. w/R/T Rallye Instrument Panel						1							2857 164
	Mile							1						2927 038
	Kilo							1						2927 039
	Mile, Certified							1						2927 040
	Mile, Certified								1					2927 094
	Mile, D-T, D-L, D-M, D-H								1					2927 092
	Kilo								1					2927 093
	Mile									1	1	1		2927 246
	Kilo									1	1	1		2927 247
	Mile, w/Wood Grain Face												1	2927 312
	Mile, w/Black Face												1	2984 890
	Kilo, w/Wood Grain Face												1	2927 313
	Kilo, w/Black Face												1	2984 891
8-37-381	GASKET, Speedometer to Hsg. Mtg. Speedometer Mtg.		1		1	1	1	1						2209 213
8-37-386	SPACER, Speedometer to Hsg. Mtg. Screw		2					2						2927 253
8-37-387	GROMMET, Speedometer to Hsg. Mtg. Screw		2		2	2	2	2		3	3	3	3	2209 214
8-37-440	PLATE, Speedometer Numerals, Kilo.									1	1	1		2927 403
8-37-454	KNOB, Odometer Reset, w/R/T Rallye Instrument Panel Trip Odometer Reset Cable			1										2290 654
8-37-495	PLATE PACKAGE, Tachometer to Console Mtg., L-P, L-S	8			1									2290 654
8-37-504	TACHOMETER, on Instrument Panel, Exp.	6		1										2586 753
	Console	8		1										2926 019
	On Instrument Panel, W-K, W-T, W-L, W-H, W-P except Charger, W-S 2 D. H.T. and Cv. Cp. w/o R/T Rallye Instrument Panel				1									2822 040
	w/Clock, W-M, W-P Charger, W-S Charger R/T, W-S 2 D. H. T. and Cv. Cp. w/R/T Rallye Instrument Panel	8				1								2889 151
	On Instrument Panel, w/o Electric Clock	8						1						2857 178
8-37-505	PLATE, Tachometer Mtg., W-K, W-T, W-L, W-H, W-P except Charger, W-S 2 D. H.T. and Cv. Cp. w/o R/T Rallye Instrument Panel	8				1	1							2927 396
		8				1	1							2889 180

TYPE LETTERS Indicates

B - Barracuda

V - Valiant
L - DartR - Belvedere
W - CoronetP - Plymouth
D - DodgeC - Chrysler
Y - Imperial

AR Indicates use as required.

= Indicates parts not listed in any previous parts book.

Numerals in parentheses () refer to notes.

★ Indicates change or addition.

Printed in U.S.A.
January 1971

CODE	PART NAME	ENG. TYPE OR CU.IN.	V	B	L	R	W	P	D	C	C	C	Y	PART NUMBER
			1-2	1-2	1-2	1-2	1-2	1-2	1-2	1	2	3	1	
8-37-0 INSTRUMENT PANEL INSTRUMENTS Cont'd														
8-37-545	WIRING, Tachometer, W-K, W-T, W-L, W-H, W-P except Charger, W-S 2 D. H. T. and Cv. Cp. w/o R/T Rallye Instrument Panel	8	—	—	—	1	1	—	—	—	—	—	—	2889 394
	On Instrument Panel	8	—	—	—	—	—	1	—	—	—	—	—	2926 445
8-38-0 GLOVE COMPARTMENT LAMP														
8-38-3	LENS, Glove Box Lamp		1	1	1	1	1	1	1	1	1	1	1	2822 583
8-38-23	LAMP and SWITCH, Glove Box		1	1	1	—	—	—	—	—	—	—	—	2864 315
			—	—	—	1	1	1	1	—	—	—	—	2291 781
			—	—	—	—	—	—	—	1	1	1	1	2864 405
8-39-0 HIGH BEAM INDICATOR LAMP														
8-39-9	LAMP, X-Press Super Light Switch Position Indicator		—	—	—	—	—	—	1	—	—	—	—	2947 180
8-39-15	SOCKET, High Beam Indicator Lamp, on Printed Circuit Board, W-K, W-T, W-L, W-H, W-P except Charger, W-S 2 D. H.T. and Cv. Cp. w/o Rallye Instrument Panel		1	1	1	1	1	—	1	—	—	—	—	2496 279
	High Beam Indicator Lamp		—	—	—	—	—	1	—	—	—	—	—	2584 971
			—	—	—	—	—	—	1	1	1	—	—	2097 003
8-39-17	CONTACT, High Beam Indicator Lamp Socket		—	—	—	—	—	1	—	—	—	—	—	2256 966
8-40-0 IGNITION LAMP														
8-40-5	LAMP, Ignition and Starter Switch, w/Time Delay, w/o Barbs on the Brkt.		1	1	1	—	—	—	—	—	—	—	—	2947 108
	w/Barbs on the Brkt.		1	1	1	1	1	—	—	—	—	—	—	2947109
	w/Time Delay		—	—	—	—	—	1	—	—	—	—	—	2947 216
	w/Time Delay		—	—	—	—	—	—	1	1	1	1	1	2947 251
8-40-10	RELAY, Ignition Lamp Thermal Time Delay		1	1	1	1	1	1	1	1	1	1	1	2889 565
8-41-0 INSTRUMENT PANEL LAMP														
8-41-17	HOUSING and LENS PACKAGE, Warning Lamp		—	—	—	—	—	—	—	1	1	1	—	2932 818
8-41-35	DIFFUSER, Console Gear Selector Lamp, L-P, L-S, R-M, R-P, R-S, W-M, W-P 2 D. H.T. and Cv. Cp., W-P Charger, W-S, P-H, D-M 2 D. H.T. and Cv. Cp., D-H 2 D. H.T. and Cv. Cp., C-E, C-L		—	1	1	1	1	1	1	1	1	1	—	2427 533
	Clock or Tachometer Indicator Lamp, W-M, W-P Charger, W-S Charger R/T, W-S 2 D. H.T. and Cv. Cp. w/R/T Rallye Instrument Panel		—	—	—	—	1	—	—	—	—	—	—	2427 533
8-41-36	SOCKET, Instrument Lamp, on Printed Circuit Board		3	4	4	4	—	—	4	—	—	—	—	2496 279
	W-M, W-P Charger, W-S Charger R/T, W-S 2 D. H.T. and Cv. Cp. w/R/T Rallye Instrument Panel		—	—	—	—	3	—	—	—	—	—	—	2496 279
	W-K, W-T, W-L, W-H, W-P except Charger, W-S 2 D. H.T. and Cv. Cp. w/o R/T Rallye Instrument Panel		—	—	—	—	4	—	—	—	—	—	—	2496 279
	SOCKET and INSERT, Instrument Cluster Lamp		—	—	—	—	—	3	—	—	—	—	—	2771 134

TYPE LETTERS Indicates

B - Barracuda

V - Valiant
L - Dart

R - Belvedere
W - Coronet

P - Plymouth
D - Dodge

C - Chrysler
Y - Imperial

AR Indicates use as required.

Indicates parts not listed in any previous parts book.

Numerals in parentheses () refer to notes.

★ Indicates change or addition.

Printed in U.S.A.
January 1971

CODE	PART NAME	ENG. TYPE OR CU.IN.	V	B	L	R	W	P	D	C	C	C	Y	PART NUMBER	
			1-2	1-2	1-2	1-2	1-2	1-2	1	2	3	1			
8-41-0 INSTRUMENT PANEL LAMP Cont'd															
8-41-36	SOCKET Cont'd														
	SOCKET, Lock Door Warning Lamp, on Printed Circuit Board		—	—	—	—	—	—	—	1	1	1	—	2496 279	
8-41-37	SPRING, Instrument Cluster Lamp Socket		—	—	—	—	—	3	—	—	—	—	—	1838 939	
8-41-39	CONTACT, Instrument Cluster Lamp Socket		—	—	—	—	—	3	—	—	—	—	—	2256 966	
8-41-41	PANEL, Instrument Cluster Lamp up to approx. Feb. 19, 1969 after approx. Feb. 19, 1969		—	—	—	—	—	1	—	—	—	—	—	2927 068	
			—	—	—	—	—	—	—	1	1	1	—	2927 254	
			—	—	—	—	—	—	—	—	1	1	1	—	2984 903
			—	—	—	—	—	—	—	—	—	—	—	1	2927 351
			—	—	—	—	—	—	4	—	—	—	—	—	6028 004
	SCREW, Mtg., Frt.		—	—	—	—	—	2	—	—	—	—	—	6028 003	
	SCREW, Mtg., Lt.		—	—	—	—	—	1	—	—	—	—	—	6028 005	
	SPEED NUT, Mtg.		—	—	—	—	—	AR	—	—	—	—	—	6028 012	
8-41-43	PLATE, Instrument Cluster Lamp Panel End.		—	—	—	—	—	—	—	—	—	—	1	2927 615	
8-41-44	LENS, Instrument Cluster Lamp Panel Lamp		—	—	—	—	—	—	—	—	—	—	4	2927 358	

8- 42-0 MAP AND COURTESY LAMP

8-42-1	LAMP, Map and Courtesy, B except 2 D.H.T. Cv. Cp.		—	1	1	—	—	—	—	—	—	—	—	2864 016
			—	—	—	1	—	—	—	—	—	—	—	—
	LAMP and SWITCH, Map and Courtesy		—	—	—	1	1	—	—	—	—	—	—	2820 034
	LAMP, w/o Power Antenna, w/o Rr. Seat Speaker		—	—	—	—	—	—	—	1	1	1	—	2947 119
	w/Power Antenna, w/o Rr. Seat Speaker		—	—	—	—	—	—	—	1	1	1	—	2947 122
	w/o Power Antenna, w/Rr. Seat Speaker, C-E, C-L		—	—	—	—	—	—	—	1	1	1	—	2947 123
	w/power antenna, w/* 4. seat speaker, C-E, C-L		—	—	—	—	—	—	—	1	1	1	—	2947 124
	w/Power Antenna, w/Radio Search Tuner, w/Radio Search Tuner AM/FM, w/AM/FM Multiplex Radio		—	—	—	—	—	—	—	—	—	—	1	2947 124
	w/o Radio Search Tuner, w/o Radio Search Tuner AM/FM, w/o AM/FM Multiplex Radio		—	—	—	—	—	—	—	—	—	—	1	2947 119
8-42-5	LENS, Map and Courtesy Lamp		—	—	—	1	1	—	—	—	—	—	—	2820 036
8-42-10	SOCKET, Map and Courtesy Lamp w/Power Antenna, w/Rr. Seat Speaker		—	—	—	1	1	—	—	—	—	—	1	1314 619
			—	—	—	—	—	—	—	1	1	1	—	1314 619
8-42-12	CONTACT, Socket, w/Power Antenna, w/Rr. Seat Speaker		—	—	—	—	—	—	—	2	2	2	—	2256 966
			—	—	—	—	—	—	—	—	—	—	2	2256 966
8-42-25	SWITCH, Map and Courtesy Lamp NUT, Mtg.		1	1	1	—	—	—	—	—	—	—	—	2864 243
			1	1	1	—	—	—	—	—	—	—	—	6008 060
8-42-29	BEZEL, Map and Courtesy Lamp switch		1	1	1	—	—	—	—	—	—	—	—	2864 244

NOTES

TYPE LETTERS Indicates

B - Barracuda

V - Valiant
L - DartR - Belvedere
W - CoronetP - Plymouth
D - DodgeC - Chrysler
Y - Imperial

AR Indicates use as required.

Indicates parts not listed in any previous parts book.

Numerals in parentheses () refer to notes.

★ Indicates change or addition.

Printed in U.S.A.
January 1971

8-44-0 BULBS

8-44-1 BULB

BASE CONTACT	CANDLE POWER	VENDOR LAMP NO.	VOLT	PART NO.	BASE CONTACT	CANDLE POWER	VENDOR LAMP NO.	VOLT	PART NO.
Single	1	51	75	115 273	Single	15	1003	12	151577
Single	1	53	14	131 282	Double	15	1004	12	151 578
Single	1	53X	14	152 280	Double	32-4	1034	12	151567
Single	2	57	12	127 934	Double	32-4	1034A	12	9418 772
Single	3	63	6	142 303	Double	32-4	1034NA	12	9422 798
Double	3	64	6	142 311	Single	32	1073	12	151 576
Single	4	67	12	142 450	Single	4	1095	14	9418 903
Single	4	67AF	12	9420 830	Single	21	1129	6	142 308
Double	4	68	12	142 451	Double	21	1130	6	142 447
Single	6	81	6	142 306	Single	21	1141	12	142 456
Single	6	82	6.5	142 312	Double	21	1142	12	142 457
							1142IF		147 680
Single	15	87	6	142 304	Double	21-3	1154	6	145 416
Double	15	88	6.75	142 446	Single	4	1155	13.5	9417 865
Single	6	89	12	142 452	Single	32	1156	12.8	9417 866
Double	6	90	12	142 453	Double	32	1157	12.8	9417 867
Single	15	93	12	142 454	Double	32	1157A	12.8	9419 780
					Double	32	117NA	14	9423 295
Double	15	94	12	142 455	Double	21-3	1158	6	142 414
Single	2	158	14	9415 969	Single		1195	12.5	193 096
		168		9425 542			1293		9427 336
Single	15	209	6.5	151 579	Single	15	1445	18	274 004
Double	15	210	6.2	151 559	Single	10	1813	14.4	274 148
Single	.95	211	12.8	9422 525	Single	33	1816	12	152 240
Single	14	256	14	9420 536	Single	2	1891	12	152 244
Single	2	257	12	9412 348	Single	1	1892	14.4	274 020
Single	1	330	14	9423 277	Single	14	1893	14	9416 927
Double	6	550	13.5	9423 841	Single	2	1895	14	9417 863
Single	.95	551	12.8						
			w/o end cap	9428 310	Single	2	1895A	14	9427 794
Double	4	704	13.5	9428 704					2949 241
Double	32-32	1000	62	142 307					

NOTES

TYPE LETTERS Indicates B - Barracuda V - Valiant R - Belvedere P - Plymouth C - Chrysler L - Dart W - Coronet D - Dodge Y - Imperial

AR Indicates use as required. Numerals in parentheses () refer to notes. Printed in U.S.A. # Indicates parts not listed in any previous parts book. ★ Indicates change or addition. January 1971

CODE	PART NAME	ENG. TYPE OR CU.IN.	V	B	L	R	W	P	D	C	C	C	Y	PART NUMBER
			1-2	1-2	1-2	1-2	1-2	1-2	1-2	1	2	3	1	
8-47-0	LICENSE MOUNTING PARTS													
8-47-8	BRACKET, License Plate, Rr.		1	—	—	—	—	—	—	—	—	—	—	2768 624
		Frnt.	—	1	—	—	—	—	—	—	—	—	—	2768 623
	W-P Charger, W-S Charger R/T		—	—	—	—	1	—	—	—	—	—	—	2856 666
		Frnt.	—	—	—	—	—	—	1	—	—	—	—	2931 261
		Rr.	—	—	—	—	—	—	—	1	1	1	—	2931 323
	NUT and WASHER, Mtg.		AR	AR	—	—	AR	—	AR	AR	AR	AR	—	6023 204
8-47-14	SCREW and WASHER, License Plate Fastening		AR	AR	AR	AR	AR	AR	AR	AR	AR	AR	AR	6024 179
8-47-15	NUT, License Plate Fastening		AR	AR	AR	AR	AR	AR	AR	AR	AR	AR	AR	6023 925
8-47-67	SPRING, License Plate Mtg. Panel, 2 D., 2 D. H.T., Cv. Cp. and 4 D Except Sta. Wgn.		—	—	—	1	1	—	—	—	—	—	—	1960 131
			—	—	—	—	—	1	1	1	1	1	1	1960 131
8-47-68	PANEL, License Plate Mtg., to Rr. Bumper, 2 D., 2 D. H.T., Cv. Cp. and 4 D		—	—	—	1	1	—	—	—	—	—	—	2931 030
	Except Sta. Wgn.		—	—	—	—	—	1	1	1	1	1	1	2931 030
	NUT and WASHER, Rr. except Sta. Wgn.		—	—	—	—	—	AR	AR	AR	AR	AR	AR	6023 204
8-47-76	PIN, License Plate Mtg. Panel Hinge, 2 D., 2 D. H.T., Cv. Cp. and 4 D Except Sta. Wgn		—	—	—	1	1	—	—	—	—	—	—	1960 127
			—	—	—	—	—	1	1	1	1	1	1	1960 127
8-47-77	SPRING NUT, License Plate Mtg. Panel Hinge, except Sta. Wgn		—	—	—	—	—	1	1	1	1	1	1	6006 324
8-47-126	BUTTON, License Plate, .95" Length 62" Length		AR	AR	AR	AR	AR	AR	AR	AR	AR	AR	AR	1943 547
			AR	AR	AR	AR	AR	AR	AR	AR	AR	AR	AR	2094 618

8-50-0 PARKING AND TURN SIGNAL LAMP

8-50-82	SWITCH, Turn Signal		1	1	1	1	1	—	—	—	—	—	—	2857 241
	w/o Cornering Lamp, w/o Tilt		—	—	—	—	—	1	1	—	—	—	—	2857 241
	Strg. Wheel, D-K, D-T, D-L, D-M		—	—	—	—	—	1	1	—	—	—	—	2857 242
	w/Cornering Lamp, w/o Tilt		—	—	—	—	—	1	1	—	—	—	—	2880 829
	Strg. Wheel, D-K, D-T, D-L, D-M		—	—	—	—	—	1	1	—	—	—	—	2857 242
	w/Tilt Steering Wheel, Saginaw Built		—	—	—	—	—	—	1	—	—	—	—	2857 242
	w/o Tilt Strg. Wheel, D-H		—	—	—	—	—	—	1	—	—	—	—	2857 242
	w/Manual Trans., w/o Cornering Lamp, w/o Tilt and Telescopic		—	—	—	—	—	—	—	1	—	—	—	2857 241
	Strg. Wheel, C-E, C-L		—	—	—	—	—	—	—	1	—	—	—	2857 242
	w/Manual Trans., w/Cornering Lamp, w/o Tilt and Telescopic Strg. Wheel, C-E, C-L		—	—	—	—	—	—	—	1	—	—	—	2857 242
	w/Tilt and Telescopic Steering Wheel		—	—	—	—	—	—	—	1	1	1	1	2925 506
	w/Auto. Trans., Saginaw Built		—	—	—	—	—	—	—	1	1	1	—	2880 829
	w/o Tilt and Telescopic Steering Wheel		—	—	—	—	—	—	—	—	—	—	1	2880 829
8-50-83	COVER, Signal Switch, w/o Auto. Speed Control, Saginaw Built, w/Power Steering		—	—	—	—	—	1	1	1	1	1	—	2925 055
	w/o Auto. Speed Control, w/o Tilt and Telescopic Steering Wheel		—	—	—	—	—	—	—	—	—	—	1	2925 055
8-50-84	SCREW, Signal Switch Mtg., w/Tilt Steering Wheel		—	—	—	—	—	1	1	—	—	—	—	2925 070
	w/Tilt Steering Wheel		—	—	—	—	—	2	2	—	—	—	—	2925 071
	w/Power Strg., Saginaw Built		—	—	—	—	—	3	3	—	—	—	—	2880 366
	w/Auto. Trans., Saginaw Built		—	—	—	—	—	—	3	3	3	—	—	2880 366
	w/Tilt and Telescopic Steering Wheel		—	—	—	—	—	—	—	1	1	1	1	2925 070
	w/Tilt and Telescopic Steering Wheel		—	—	—	—	—	—	—	2	2	2	2	2925 071
	w/o Tilt and Telescopic Steering Wheel		—	—	—	—	—	—	—	—	—	—	3	2880 366

TYPE LETTERS Indicates

B - Barracuda

V - Valiant
L - DartR - Belvedere
W - CoronetP - Plymouth
D - DodgeC - Chrysler
Y - Imperial

AR Indicates use as required.

Indicates parts not listed in any previous parts book.

Numerals in parentheses () refer to notes.

★ Indicates change or addition.

Printed in U.S.A.
January 1971

CODE	PART NAME	ENG. TYPE OR CU.IN.	V	B	L	R	W	P	D	C	C	C	Y	PART NUMBER
			1-2	1-2	1-2	1-2	1-2	1-2	1-2	1	2	3	1	
8-50-0 PARKING AND TURN SIGNAL LAMP Cont'd														
8-50-87	HOUSING, Signal Switch, w/Power Strg., Saginaw Built, w/Auto. Trans.	—	—	—	—	—	—	1	1	1	1	1	—	2925 504
	w/o Tilt and Telescopic Strg. Wheel	—	—	—	—	—	—	—	—	—	—	—	1	2925 504
8-50-126	CAM, Signal Switch Cancelling	1	1	1	1	1	—	—	—	—	—	—	—	2258 704
	w/o Tilt Strg. Wheel	—	—	—	—	—	—	1	1	—	—	—	—	2258 704
	w/o Tilt and Telescopic Strg. Wheel	—	—	—	—	—	—	—	—	1	1	1	1	2258 704
8-50-129	LEVER and KNOB, Turn Signal	1	1	1	—	—	—	—	—	—	—	—	—	2889 093
	w/o Auto. Speed Control	—	—	—	1	1	—	—	—	—	—	—	—	2889 093
	w/o Tilt Strg. Wheel, w/o Auto. Speed Control	—	—	—	—	—	—	1	1	—	—	—	—	2889 093
	w/Tilt Strg. Wheel, w/o Auto. Speed Control, w/Saginaw Tilt Column	—	—	—	—	—	—	1	1	—	—	—	—	2926 586
	w/o Tilt Strg. Wheel, w/o Auto. Speed Control, w/Saginaw Std. Column only	—	—	—	—	—	—	—	—	1	—	—	—	2926 585
	w/Manual Trans., w/o Auto. Speed Control, w/o Tilt and Telescopic Strg. Wheel, C-E, C-L	—	—	—	—	—	—	—	—	—	1	—	—	2889 093
	w/o Auto. Speed Control, w/Tilt and Telescopic Strg. Wheel, w/Saginaw Tilt and Telescopic Column	—	—	—	—	—	—	—	—	1	1	1	1	2889 095
	w/o Tilt and Telescopic Strg. Wheel, w/Saginaw Std. Column only	—	—	—	—	—	—	—	—	1	1	1	1	2926 585
	LEVER and SWITCH, w/Auto. Speed Control, R-T, R-L, R-H, R-P, R-S, W-T, W-L, W-H, W-P, W-S	—	—	—	1	1	—	—	—	—	—	—	—	2857 525
	w/Auto. Speed Control, w/Chrysler Column, w/o Tilt Strg. Wheel	—	—	—	—	—	—	1	1	—	—	—	—	2926 589
	w/Auto. Speed Control, w/Tilt Strg. Wheel	—	—	—	—	—	—	1	1	—	—	—	—	2926 591
	w/Auto. Speed Control, w/Saginaw Std. Column	—	—	—	—	—	—	—	—	1	1	1	1	2926 590
	w/Auto. Speed Control, w/Tilt and Telescopic Strg. Wheel	—	—	—	—	—	—	—	—	1	1	1	1	2889 162
	SCREW, Lever Mtg.	1	1	1	1	1	1	1	1	1	1	1	—	6024 629
8-50-156	SOCKET, Turn Signal Indicator Lamp, on Printed Circuit Board, W-K, W-T, W-L, W-H, W-P except Charger, W-S 2 D. H.T. and Cv. Cp. w/o R/T Rallye Instrument Panel	2	2	2	2	2	—	2	1	1	1	—	—	2496 279
	W-M, W-P Charger, W-S Charger R/T, W-S 2 D. H.T. and Cv. Cp. w/R/T Rallye Instrument Panel	—	—	—	—	2	2	—	—	—	—	—	—	2097 003
	Rt.	—	—	—	—	—	—	—	—	1	1	1	—	2096 374
	SOCKET and CABLE, Fender Turn Signal Indicator Lamp, R-K, R-T, R-L, R-H, R-P	2	—	—	2	—	2	2	2	2	2	—	—	2930 801
	R-M, R-S	—	—	2	2	—	—	—	—	—	—	—	—	2606 627
	Except Charger and Charger R/T	—	—	—	—	2	—	—	—	—	—	—	—	2930 801
		—	—	—	—	—	—	—	—	—	—	—	2	2930 720
	Hood Panel Turn Signal Indicator Lamp	—	2	—	—	—	—	—	—	—	—	—	—	2930 684
	W-P Charger, W-S Charger R/T	—	—	—	—	2	—	—	—	—	—	—	—	2853 615
	SOCKET, CABLE and BULB, w/Turn Indicator Fender Hood Mtd., W-P Charger, W-S Charger R/T	—	—	—	—	2	—	—	—	—	—	—	—	2853 626
8-50-159	CONTACT, Socket	AR	AR	AR	AR	AR	AR	AR	AR	AR	AR	AR	AR	2256 966
8-50-170	LENS, Fender Turn Signal Indicator Lamp	—	—	2	—	—	—	—	—	—	—	—	—	2853 624

TYPE LETTERS Indicates

B - Barracuda

V - Valiant
L - DartR - Belvedere
W - CoronetP - Plymouth
D - DodgeC - Chrysler
Y - Imperial

AR Indicates use as required.

Indicates parts not listed in any previous parts book.

Numerals in parentheses () refer to notes.

★ Indicates change or addition.

Printed in U.S.A.

January 1971

CODE	PART NAME	ENG. TYPE OR CU.IN.	V	B	L	R	W	P	D	C	C	C	Y	PART NUMBER
			1-2	1-2	1-2	1-2	1-2	1-2	1-2	1	2	3	1	
8-50-0 PARKING AND TURN SIGNAL LAMP Cont'd														
8-50-173	NUT, Fender Turn Signal Indicator Lamp Mtg.		—	—	—	—	—	—	—	—	—	—	4	1839 995
8-50-175	LAMP, Fender Turn Signal Indicator, R-K, R-T, R-L, R-H, R-P		2	—	—	2	—	2	2	—	—	—	—	2930 414
	R-M, R-S		—	—	1	—	—	—	—	—	—	—	—	2853 758-9
	W except Charger and Charger R/T		—	—	—	2	—	—	—	—	—	—	—	2853 636
	Sta. Wgn.		—	—	—	—	—	—	—	2	—	—	—	2930 414
	C-E, C-L		—	—	—	—	—	—	—	—	2	—	—	2930 781
	Hood Turn Signal Indicator		—	2	—	—	—	—	—	1	1	1	—	29305 78-9
	LAMP PACKAGE, Hood Turn Signal Indicator, W-P Charger, W-S Charger R/T		—	—	—	—	2	—	—	—	—	—	—	2930 686
8-50-177	BRACKET, Fender Turn Signal Indicator Lamp, R-M, R-S		—	—	2	2	—	—	—	—	—	—	—	3004 183
8-50-184	COVER PACKAGE, Hood Turn Signal Indicator Lamp, W-P Charger W-S Charger R/T		—	—	—	—	2	—	—	—	—	—	—	2606 891
	COVER, Fender Turn Signal Indicator Lamp, C-E, C-L		—	—	—	—	—	—	—	1	1	1	—	2932 823
	COVER and WELT PACKAGE, Fender Turn Signal Indicator Lamp		—	—	—	—	—	—	—	—	—	—	1	2930 580-1
	HOUSING and LENS, Fender Turn Signal Indicator Lamp		—	—	—	—	—	—	—	—	—	—	2	2932 844-5
8-50-186	FLASHER, Hazard Warning Turn Signal Lamp, Vari-Load 2 Lamp		1	1	1	1	1	1	1	1	1	1	—	3478 005
	2 Lamp, Sta. Wgn.		1	1	1	1	1	1	1	1	1	1	—	2932 877
	3 Lamp, W except Sta. Wgn., P-K Sta. Wgn. w/Police Ornamentation Pkg., P-M, P-H, P-P		1	1	1	1	—	—	—	1	—	—	—	2932 877
	2 Lamp, P-K 2 D. and 4 D., P-K Sta. Wgn. w/o Ornamentation Pkg., P-T, P- E, P-L 2 D. and 4 D.		—	—	—	—	1	—	—	—	—	—	—	2932 875
	3 Lamp, Sta. Wgn., P-L Sequential Turn Signal		—	—	—	—	—	1	—	—	—	—	—	2932 876
8-50-191	CLIP, Flasher Mtg.		1	1	1	1	1	1	1	1	1	1	—	2947 709
8-50-292	LAMP, Fender Cornering and Side Marker		—	—	—	—	—	—	1	—	—	—	—	2770 998
	up to approx. Jan. 1969		—	—	—	—	—	—	—	1	1	1	—	2930 696-7
	after approx. Jan. 1969		—	—	—	—	—	—	—	1	1	1	—	2930 100-1
	Fender Cornering NUT, Mtg.		—	—	—	—	—	—	—	—	—	—	1	2930 942-3
			—	—	—	—	—	—	—	—	—	—	8	2930 548-9
8-50-294	BRACKET, Fender Cornering and Side Marker Lamp Bezel Mtg., Rr. Frt.		—	—	—	—	—	—	—	1	1	1	—	2930 588-9
8-50-295	SUPPORT, Fender Cornering and Side Marker Reflector		—	—	—	—	—	—	—	—	—	—	—	6025 803
	SCREW, Att.		—	—	—	—	—	2	—	—	—	—	—	2930 670-1
8-50-303	LAMP, Parking and Turn Signal		1	—	—	—	—	—	—	—	—	—	—	2930 776-7
			—	1	—	—	—	—	—	—	—	—	—	2930 703
			—	—	1	—	—	—	—	—	—	—	—	6022 916
		Rt.	—	—	—	1	—	—	—	—	—	—	—	2930 880-1
		Lt.	—	—	—	—	1	—	—	—	—	—	—	2930 486-7
	W Except Charger and Charger R/T		—	—	—	—	—	—	—	—	—	—	—	2930 530-1
	W-P Charger, W-S Charger R/T		—	—	—	—	2	—	—	—	—	—	—	2930 606
			—	—	—	—	1	—	—	—	—	—	—	2930 889
			—	—	—	—	—	—	—	—	—	—	—	2930 889
			—	—	—	—	—	—	—	—	—	—	—	2930 608
			—	—	—	—	—	—	—	—	—	—	—	2930 604-5

TYPE LETTERS Indicates

B - Barracuda

V - Valiant
L - DartR - Belvedere
W - CoronetP - Plymouth
D - DodgeC - Chrysler
Y - Imperial

AR Indicates use as required.

Indicates parts not listed in any previous parts book.

Numerals in parentheses () refer to notes.

★ Indicates change or addition.

Printed in U.S.A.
January 1971

1969 PASSENGER CAR PARTS CATALOG

ELECTRICAL

CODE	PART NAME	ENG. TYPE OR CU.IN.	V	B	L	R	W	P	D	C	C	C	Y	PART NUMBER
			1-2	1-2	1-2	1-2	1-2	1-2	1-2	1	2	3	1	
8-50-0 PARKING AND TURN SIGNAL LAMP Cont'd														
8-50-303	LAMP Cont'd													
	W Charger Daytona						1							2930 880-1
								1						2930 366-7
									1					2930 384-5
										1		1		2930 126-7
											1			2930 112-3
													1	2930 912
													1	2930 517
					4									6027 607
	SCREW, Att.													
	SCREW, Mtg., W except Charger and Charger R/T					4	4							6027 254
8-50-304	LAMP PACKAGE, Parking and Turn Signal												1	2932 780-1
8-50-305	BRACKET, Parking and Turn Signal Lamp			2										2898 627
8-50-309	BUMPER, Parking and Turn Signal Lamp					2								2575 865
8-50-315	BEZEL, Parking and Turn Signal Lamp			1										2930 500-1
											1			2930 450-1
	Inner												1	2930 524-5
	Outer												1	2930 526-7
	Fender Cornering and Side Marker Reflector, P-K, P-T, P-E, P-L, P M, P-H							1						2930 708-9
	P-P							1						2930 690-1
	Fender Cornering Lamp, D-K, D-T, D-L, D-M								1					2930 594-5
	D-H								1					2930 672-3
	Fender Cornering and Side Marker Lamp Lens									1	1	1		2930 108-9
	Fender Cornering and Side Marker Lamp									1	1	1		2930 664-5
													1	2930 560-1
8-50-334	LENS and GASKET PACKAGE, Parking and Turn Signal Lamp		1											2932 800-1
	LENS, SHIELD, MEDALLION and GASKET PACKAGE			1										2932 838-9
	LENS and GASKET PACKAGE				1									2932 836-7
	Amber	Rt.				1								3004 152
		Lt.				1								3004 151
	Clear, Export					1								2809 122-3
	Clear, Export, W except Charger and Charger R/T						2							2809 117
	Amber, W except Charger and Charger R/T						2							3004 150
	Clear, W-P Charger, W-S Charger R/T							1						2809 150-1
	Amber								1					2932 802-3
	Clear, Export								1					2932 804-5
	Amber									1				2932 786-7
	Clear, Export									1				2932 788-9
	Amber										1	1		2932 772-3
	Clear, Export											1		2932 784-5
												1		2932 774-5
													1	2932 782-3
	Fender Cornering and Side Marker Reflector							1						2932 882-3
										1	1	1		2932 828-9
													1	2932 776-7
	Fender Cornering Lamp								1					2932 810-1

TYPE LETTERS Indicates B - Barracuda V - Valiant R - Belvedere P - Plymouth C - Chrysler
L - Dart W - Coronet D - Dodge Y - Imperial

AR Indicates use as required. Numerals in parentheses () refer to notes. Printed in U.S.A.
Indicates parts not listed in any previous parts book. ★ Indicates change or addition. January 1971

CODE	PART NAME	ENG. TYPE OR CU.IN.	V	B	L	R	W	P	D	C	C	C	Y	PART NUMBER	
			1-2	1-2	1-2	1-2	1-2	1-2	1-2	1	2	3	1		
8-50-0 PARKING AND TURN SIGNAL LAMP Cont'd															
8-50-338	GASKET, Parking and Turn Signal Lamp Lens		—	—	—	2	—	—	—	—	—	—	—	2575 851 2930 363	
	Frnt. Fender Cornering and Side Marker Lamp Lens		—	—	—	—	—	2	—	—	—	—	—	2930 110	
8-50-349	SOCKET and BOOT, Cornering Lamp Socket and Cable		—	—	—	—	—	2	2	2	2	2	—	2857 515	
8-50-354	CONTACT, INSULATOR and SPRING PACKAGE, Socket After approx. Jan. 1, 1969		AR	AR	AR	AR	AR	AR	AR	AR	AR	AR	AR	2584 972 2931167	
8-52-0 STARTING MOTOR															
8-52-4	STARTING MOTOR, w/170 Eng. w/170 Eng., Export w/225 Eng.	6 6 6	1	—	1	—	—	—	—	—	—	—	—	2098 500 2098 500 2095 150	
	after approx. April 1, 1969, used Inter. w/Starter No. 2095150	8	1	1	1	—	—	1	1	1	1	1	1	2095 150	
	Std.	6	—	—	—	1	1	1	—	—	—	—	—	2875 560	
	Heavy Duty, w/Manual Trans.	6	—	—	—	1	1	1	—	—	—	—	—	2095 150	
	Heavy Duty, w/Auto. Trans. Except 426 Eng.	6 8	—	—	—	1	1	1	—	—	—	—	—	1889 100 2095 150	
	w/426 Eng., w/Auto. Trans.	8	—	—	—	1	1	—	—	—	—	—	—	2095 150	
	w/426 Eng., w/Manual Trans.	8	—	—	—	1	1	—	—	—	—	—	—	2642 930	
8-52-39	SEAL, Cylinder Block to Starter Motor w/383 Eng. w/383 and 440 Eng. Std. Heavy Duty, w/Auto. Trans. w/426 Eng., except Sta. Wgn., w/4 Speed Manual Trans. w/426 Eng., except Sta. Wgn., w/Auto. Trans.	6 8 8 6 6 8 8	1 — — — — — —	1 — — — — — —	1 — — — — — —	— — — 1 1 — —	— — — 1 1 — —	— — — 1 1 — —	— — — 1 1 — —	— — — 1 1 — —	— — — 1 1 — —	— — — 1 1 — —	— — — 1 1 — —	— — — 1 1 — —	2892 915 2892 915 2892 915 2892 915 2892 914 2128 285 2892 915
8-52-328	RELAY, Starter, w/Manual Trans. w/Auto. Trans. w/Manual Trans., C-E, C-L w/Auto. Trans. SCREW, Mtg.		1 1 — — 2	1 1 — — 2	1 1 — — 2	1 1 — — 2	1 1 — — 2	— — — — —	— — 1 1 —	— — 1 1 —	— — 1 1 —	— — 1 1 —	— — 1 1 —	2444 453 2444 442 2875 619 2875 618 6006 120	
8-52-369	GROMMET, Starter Connector, Heavy Duty, w/Manual Trans. w/426 Eng., except Sta. Wgn., w/4 Speed Manual Trans.	6 8	— —	— —	— —	1 1	1 1	1 —	— —	— —	— —	— —	— —	1889 362 1889 362	

NOTES

TYPE LETTERS Indicates

B - Barracuda

V - Valiant
L - DartR - Belvedere
W - CoronetP - Plymouth
D - DodgeC - Chrysler
Y - Imperial

AR Indicates use as required.

Indicates parts not listed in any previous parts book.

Numerals in parentheses () refer to notes.

★ Indicates change or addition.

Printed in U.S.A.
January 1971

8-52-0 STARTING MOTOR COMPONENT PARTS

For Model Application See Code 8-52-4		STARTER ASSEMBLIES				
CODE	REMARKS	1889 100	2095 150	2098 500	2642 930	2875 560
8-52-5	SCREW and WASHER, Mtg., Upper	-----	6023 899	6023 899	-----	6023 899
	SCREW and WASHER, Mtg., Lower	-----	-----	-----	2642 485	-----
	STUD, Mtg.	-----	2095 875	2095 875	-----	2095 875
8-52-41	CLUTCH	2642 506	2444 658	2444 658	2642 506	2444 658
8-52-49	FORK and PIN PACKAGE, Shifting	2084 093	-----	-----	2084 093	-----
	FORK, Shifting	-----	2095 134	2095 134	-----	2095 134
8-52-50	PIN, Shifting Fork Pivot	456 098	2095 133	2095 133	456 098	2095 133
8-52-61	RING, Clutch Actuator Ret.	-----	2095 130	2095 130	-----	2095 130
8-52-67	SNAP RING, Pinion Shaft Gear Ret.	-----	2095 117	-----	-----	2095 117
8-52-76	HOUSING, Pinion	1889 066	-----	-----	2642 929	-----
	HOUSING and BEARING, Gear	-----	2095 112	2095 112	-----	2875 551
8-52-80	BEARING, Pinion Hsg. (2 req.)	2098 986	2098 986	2098 986	2098 986	2098 986
	BEARING, Gear Hsg.	-----	2098 987	2098 987	-----	2098 987
8-52-82	STOP, SNAP RING and STOP WASHER PACKAGE, Pinion	2448 804	-----	-----	2448 804	-----
8-52-85	SEAL and RETAINER PACKAGE, Pinion Hsg.	-----	-----	-----	2808 850	-----
8-52-87	ACTUATOR and RETAINING RING PACKAGE, Clutch Shifting	-----	2275 556	2275 556	-----	2275 556
8-52-88	BOOT, Shifting Fork	1889 147	-----	-----	1889 147	-----
8-52-89	SHAFT, Pinion	-----	2095 118	2095 118	-----	2095 118
8-52-96	GEAR and SNAP RING PACKAGE, Pinion Shaft	-----	2275 557	2275 557	-----	2275 557
8-52-98	THRUST WASHER and RETAINING RING PACKAGE, Pinion Shaft	-----	2275 558	2275 558	-----	2275 558
8-52-100	RING, Pinion Shaft Ret.	-----	6022 006	6022 006	-----	6022 006
8-52-101	COVER, Gear Hsg.	-----	2095 116	2095 116	-----	2095 116
8-52-102	WASHER, Pinion Shaft Gear	-----	2095 114	2095 114	-----	2095 114
8-52-120	ARMATURE	1889 079	2095 094	2098 496	1889 079	2642 072
8-52-121	THRUST WASHER PACKAGE, Armature	-----	2275 555	2275 555	-----	2275 555
8-52-135	BRUSH PACKAGE	2525 529	-----	-----	2525 529	-----
8-52-137	PLATE and BRUSH PACKAGE, Brush Holder	-----	2275 550	2275 550	-----	2932 812
8-52-140	SPRING PACKAGE, Brush	2084 666	2084 666	2084 666	2084 666	2084 666
8-52-142	SEALER, Brush Plate	-----	2421 838	2421 838	-----	-----
8-52-144	SCREW and WASHER, Brush Plate Mtg.	-----	6024 244	6024 244	6024 244	-----
8-52-150	HOLDER, Brush	1889 044	-----	-----	1889 044	-----
8-52-176	HEAD, Commutator End	1889 363	2095 076	2095 076	1889 363	2095 076
8-52-180	THRUST WASHER PACKAGE, Commutator End	2240 529	-----	-----	2240 529	-----
8-52-214	FIELD SERIES and SHUNT COIL PACKAGE	2084 088	2275 248	2421 474	2084 088	2275 248
8-52-241	SCREW, Thru (2 req.)	1889 080	2095 105	2095 105	1889 080	2095 105
8-52-341	CONTACT and COVER GASKET PACKAGE, Solenoid	2084 091	-----	-----	2084 091	-----
8-52-342	CONTACT and SPRING PACKAGE, Solenoid Switch	-----	2275 553	2275 553	-----	2932 814
8-52-344	COVER and GASKET PACKAGE, Solenoid	2084 090	-----	-----	2084 090	-----
8-52-345	SOLENOID PACKAGE	2642 961	2275 554	2275 554	2642 964	2932 813
8-52-354	STUD PACKAGE, Terminal Relay	2084 094	2421 837	2421 837	2084 094	2932 815
8-52-372	STUD and WASHER PACKAGE, Solenoid Terminal	-----	2275 551	2275 551	-----	-----
8-52-375	CORE, Solenoid Moving	1889 151	2095 155	2095 155	1889 151	2095 155

NOTES

TYPE LETTERS Indicates

B - Barracuda

V - Valiant
L - DartR - Belvedere
W - CoronetP - Plymouth
D - DodgeC - Chrysler
Y - Imperial

AR Indicates use as required.

Indicates parts not listed in any previous parts book.

Numerals in parentheses () refer to notes.

★ Indicates change or addition.

Printed in U.S.A.

January 1971

CODE	PART NAME	ENG. TYPE OR CU.IN.	V	B	L	R	W	P	D	C	C	C	Y	PART NUMBER
			1-2	1-2	1-2	1-2	1-2	1-2	1-2	1	2	3	1	
8-53-0 SWITCHES														
8-53-33	SWITCH, Rotating Headlamp Door, 3 Position Vacuum, W-P Charger, W-S Charger R/T							1						2864 029
8-53-37	PLATE and GASKET PACKAGE, Rotating Headlamp Switch										1		1	2932 920
8-53-150	SWITCH, Foot Dimmer		1	1	1	1	1	1	1					1881 938
	w/o Auto. Headlamp Dimmer									1	1	1	1	1881 938
	Panel Lamp Dimmer							1		1	1	1		2932 873
						1	1		1					2809 047
	up to approx. April 1, 1969 after approx. April 1, 1969												1	2947 099
	SCREW, Foot Dimmer Switch Mtg.		2	2	2	2	2	2	2	2	2	2	2	2809 046
	SCREW, Panel Lamp Dimmer Switch Mtg.							2	2	2	2	2	2	6024 699
8-53-270	SWITCH, Headlamp and Instrument Lamp		1	1	1									2809 087
	Headlamp, W except Charger and Charger R/T					1	1							3004 092
	W-P Charger, W-S Charger R/T						1							3004 113
	Headlamp Sentinel							1	1	1	1			2864 437
	Headlamp Sentinel and Dimmer								1	1	1	1		2864 425
	Headlamp Rocker												1	2864 423
	SCREW, Headlamp Switch Mtg							2	2	2	2	2	2	2947 255
	SPRING WASHER, Headlamp Sentinel Dimmer Switch									1	1	1	1	6024 654
8-53-271	NUT, Rr. Window Defogger Switch Mtg., except Sta. Wgn Switch Mtg.							1						6027 242
									1	1	1	1		2820 116
8-53-283	RELAY, Highway Beam Headlamp								1					2820 116
									1					2926 759
8-53-289	PLATE, Switch Mtg. Reinforcement							1						2926 760
									1					2864 358
8-53-294	BEZEL, Switch Mtg. Sta. Wgn., w/Tailgate Window Life Switch, w/o Rr. A/C Blower Switch Except Cv. Cp. and Sta. Wgn. w/Rr. Window Defogger Except Cv. Cp. and Sta. Wgn., w/o Rr. Window Defogger w/Top Lift, Cv. Cp w/X-Press Super Light, w/o Rr. Window Defogger, 2 D.H.T., 4 D. and 4 D.H.T. Headlamp Sentinel Headlamp Sentinel and Dimmer Headlamp Sentinel Headlamp Sentinel and Dimmer			1										2864 357
									1					2580 772
									1					2864 495
									1					2864 496
									1					2864 493
									1					2864 494
									1					2947 171
									1	1	1			2864 401
									1	1	1			2864 400
													1	2947 083
													1	2947 678
8-53-296	KNOB, Headlamp and Instrument Lamp Switch		1	1										2820 135
					1									2770 584
	Headlamp Sentinel and Dimmer Switch w/Set SCREW, Headlamp Sentinel Control									1	1	1	1	2864 420
	w/INLAY, Headlamp Sentinel									1	1	1		2947 084
													1	2947 249
8-53-297	OVERLAY, Switch Mtg. Bezel, except Cv. Cp. and Sta. Wgn., w/o Rr. Window Defogger except Cv. Cp. and Sta. Wgn., w/Rr. Window Defogger								1					2884 911
									1					2884 913

TYPE LETTERS Indicates

B - Barracuda

V - Valiant
L - DartR - Belvedere
W - CoronetP - Plymouth
D - DodgeC - Chrysler
Y - Imperial

AR Indicates use as required.

Indicates parts not listed in any previous parts book.

Numerals in parentheses () refer to notes.

★ Indicates change or addition.

Printed in U.S.A.

January 1971

CODE	PART NAME	ENG. TYPE OR CU.IN.	V	B	L	R	W	P	D	C	C	C	Y	PART NUMBER
			1-2	1-2	1-2	1-2	1-2	1-2	1-2	1	2	3	1	
8-53-0 SWITCHES Cont'd														
8-53-301	AMPLIFIER, Headlamp Sentinel SCREW, Headlamp Sentinel Amplifier, to bracket mtg.		—	—	—	—	—	—	—	1	1	1	1	2820 546
8-53-303	BRACKET, Auto. Headlamp Sentinel Amplifier Mtg.		—	—	—	—	—	—	—	2	2	2	2	6024 895
8-53-304	PHOTOCELL, Headlamp Sentinel		—	—	—	—	—	—	—	1	1	1	1	2864 448
8-53-305	CLIP, Headlamp Sentinel Photocell Mtg.		—	—	—	—	—	—	—	1	1	1	1	2586 764
8-53-308	SPACER, Headlamp Sentinel Photocell mtg.		—	—	—	—	—	—	—	1	1	1	1	6000 305
8-53-312	RETAINER, Headlamp and Instrument Lamp Switch Mtg.		—	—	—	—	—	—	—	1	1	1	1	2820 409
8-53-327	SWITCH, Low Oil Pressure	6	1	1	—	—	—	—	—	—	—	—	—	1887 604
		8	1	—	1	1	1	1	—	—	—	—	—	3004 105
	Except 426 Eng., W-K, W-T, W-L W-H, W-P except Charger, W-S except Charger R/T w/o Rallye Instrument Panel	8	1	—	1	—	—	1	1	1	1	1	—	3004 106
			—	—	—	—	—	—	—	—	—	—	1	2889 300
	SENDING UNIT, Oil Pressure, W-M, W-P Charger, W-S Charger R/T, W-S except Charger R/T w/Rallye Instrument Panel, P-K, P-T, P-E, P-L		—	1	—	1	1	—	—	—	—	—	1	2495 222

8-55-0 TAIL, STOP AND TURN SIGNAL LAMP

8-55-1	LAMP PACKAGE, Tailgate Tail, Stop and Turn Signal, Sta. Wgn., P-K w/Ornamentation Pkg., P-L, P-M Sta. Wgn.		—	—	—	—	—	1	—	—	—	—	—	2932 740-1
	Qtr. Panel Tail, Stop, Turn Signal and Side Marker, Sta. Wgn.		—	—	—	—	—	—	1	—	—	—	—	2932 750-1
8-55-7	LAMP, Qtr. Panel Tail, Stop, Turn Signal and Back-UP		—	—	—	—	—	—	—	1	—	—	—	2932 790-1
	Qtr. Panel Tail, Stop and Turn Signal		1	—	—	—	—	—	—	—	—	—	—	2930 146-7
	Sta. Wgn.		—	1	—	—	—	—	—	—	—	—	—	2930 136-7
	R-P except Sta. Wgn., R-S Sta. Wgn.		—	—	1	—	—	—	—	—	—	—	—	2930 234-5
	Sta. Wgn.		—	—	—	1	—	—	—	—	—	—	—	2930 454-5
	Sta. Wgn.		—	—	—	—	1	—	—	—	—	—	—	2930 260-1
	Sta. Wgn.		—	—	—	—	—	1	—	—	—	—	—	2930 470-1
	Lower Deck Opening Panel Tail, Stop Turn Signal and Back-Up, 2 D., 2 D. H.T. and 4 D., W-K, W-T, W-L, W-M, W-H, up to Approx. Jan. 1, 1969		—	—	—	—	1	—	—	—	—	—	—	2930 206-7
	After approx. Jan. 1, 1969 2 D. H.T., Cv. Cp. and 4 D., W-P, W-S, up to approx. Jan. 1, 1969		—	—	—	—	1	—	—	—	—	—	—	2930 816-7
	After Approx. Jan. 1, 1969		—	—	—	—	—	1	—	—	—	—	—	2930 538-9
	C-E		—	—	—	—	—	—	1	—	—	—	—	2930 826-7
	C-L		—	—	—	—	—	—	—	1	—	—	—	2930 058-9
	Lower Deck Opening Panel Tail, Stop and Turn Signal, W-P Charger, W-S Charger R/T		—	—	—	—	1	—	—	—	—	—	—	2930 354-5
			—	—	—	—	—	—	—	—	1	—	—	2930 624-5
			—	—	—	—	—	—	—	—	—	1	—	2930 046-7
			—	—	—	—	—	—	—	—	—	—	1	2930 072-3

TYPE LETTERS Indicates B - Barracuda V - Valiant R - Belvedere P - Plymouth C - Chrysler
L - Dart W - Coronet D - Dodge Y - Imperial

AR Indicates use as required. Numerals in parentheses () refer to notes. Printed in U.S.A.
Indicates parts not listed in any previous parts book. ★ Indicates change or addition. January 1971

CODE	PART NAME	ENG. TYPE OR CU.IN.	V	B	L	R	W	P	D	C	C	C	Y	PART NUMBER
			1-2	1-2	1-2	1-2	1-2	1-2	1	2	3	1		
8-55-0 TAIL, STOP AND TURN SIGNAL LAMP Cont'd														
8-55-7	LAMP Cont'd													
	Lower Deck Opening Panel Tail, Stop, Turn Signal, Back-Up and Side Marker, except Sta. Wgn., D-K, D-T, D-M								1					2930 032-3
	2 D. H.T., Cv. Cp., 4 D. w/o Ornamentation Pkg., 4 D. H.T., D-L								1					2930 032-3
	except Sta. Wgn., D-H, w/Argent Painted Bezel								1					2930 026-7
	Qtr. Lower Panel Tail, Stop, Turn Signal and Side Marker, 2 D. and 4 D., P-K, P-T, P-L								1					2930 292-3
	2 D., 4 D. w/o Ornamentation Pkg., P-E								1					2930 292-3
	P-M except Sta. Wgn., P-P								1					2930 276-7
	P-H								1					2930 406-7
	Rr. Bumper Tail, Stop, Turn Signal and Back-up												1	2930 424-5
8-55-9	NUT and WASHER, Qtr. Panel Tail, Stop, Turn Signal and Back-Up Lamp Mtg.		8		8									6023 202
	NUT and WASHER, Qtr. Panel-Tail, Stop and Turn Signal Lamp to Qtr Panel Att.			8										6023 203
	NUT and WASHER, Qtr. Panel Tail, Stop and Turn Signal Lamp Mtg., except Sta. Wgn., R-K, R-T, R-L, R-M, R-H					8								6023 202
	NUT and WASHER, Qtr. Panel Tail, Stop and Turn Signal Lamp Lens Bezel Att., to Hsg., R-P, R-S					8								6025 002
	NUT and WASHER, Lower Deck Opening Panel Tail, Stop, Turn Signal and Back-Up Lamp Mtg., W-P 2 D. H.T., Cv. Cp. and 4 D., W-S 2 D. H.T. and Cv. Cp							12						6027 428
	NUT and WASHER, Lower Deck Opening Panel Tail, Stop, Turn Signal, Back-Up and Side Marker Lamp Mtg., except Sta. Wgn.								12					6027 625
	J/NUT, Qtr. Panel Tail, Stop, Turn Signal and Side Marker Lamp Mtg., Sta. Wgn.								4					6023 111
	J/NUT, Tailgate Tail Lamp Att. Screw, Sta. Wgn.								10					6023 111
	J/NUT, Qtr. Panel Tail, Stop and Turn Signal Lamp Att. Screw, to Body, Sta. Wgn.								4					6028 164
	NUT and WASHER, Rr. Bumper Tail, Stop, Turn Signal and Back-Up Lamp, to Bumper Brkt. Att.												6	6023 204
8-55-10	SCREW, Qtr. Panel Tail, Stop and Turn Signal Lamp, Sta. Wgn					8								6025 936
	STUD, Lower Deck Opening Panel Tail, Stop, Turn Signal and Back-Up Lamp Mtg., 2 D. and 4 D., W-L, W-H							12						6024 577
	SCREW, Qtr. Panel Tail, Stop and Turn Signal Lamp Mtg., Sta. Wgn.								8					6026 698

TYPE LETTERS Indicates

B - Barracuda

V - Valiant
L - Dart

R - Belvedere
W - Coronet

P - Plymouth
D - Dodge

C - Chrysler
Y - Imperial

AR Indicates use as required.

Indicates parts not listed in any previous parts book.

Numerals in parentheses () refer to notes.

★ Indicates change or addition.

Printed in U.S.A.
January 1971

1969 PASSENGER CAR PARTS CATALOG

ELECTRICAL

CODE	PART NAME	ENG.	V	B	L	R	W	P	D	C	C	C	Y	PART NUMBER
		TYPE OR CU.IN.	1-2	1-2	1-2	1-2	1-2	1-2	1-2	1	2	3	1	
8-55-0 TAIL, STOP AND TURN SIGNAL LAMP Cont'd														
8-55-10	SCREW Cont'd													
	SCREW, Qtr. Panel Tail, Stop and Turn Signal Lamp Att., Upper, Inboard, Sta. Wgn.							2						6026 561
	SCREW, qtr. Panel Tail, Stop and Turn Signal Lamp Att., Upper, Outboard, Sta. Wgn.							2						6027 357
	STUD, Lower Deck Opening Panel Tail Stop, Turn Signal, Back-Up and Side Marker Lamp, except Sta. Wgn.								12					6024 579
	SCREW, Qtr. Panel Tail, Stop and Turn Signal Lamp Att., to Body, Sta. Wgn								4					6027 357
	SCREW, Qtr. Panel Tail, Stop and Turn Signal Lamp, to Body Att., Lower, Sta. Wgn							4	4					6027 475
8-55-19	RELAY, Sequential Turn Signal												1	2926 499
	Sequential Turn Signal Lamp Outage												1	2926 497
	Sequential Turn Signal Hazard Feed												1	2926 496
	Sequential Turn Signal Hazard												1	2926 777
	Sequential Flasher Turn Signal Over Ride												1	2947 289
8-55-21	MOTOR and SWITCH, Sequential Turn Signal												1	2926 498
8-55-23	REINFORCEMENT, Qtr. O/S Panel Tail Lamp Opening	1												2902 708-9
	w/P/NUT, except Sta. Wgn.		1											2784 652-3
	Qtr. Panel Tail Lamp Mtg., Upper	1			1									2901 902-3
	Upper, Frt., Sta. Wgn.						1	1						2901 980-1
	Upper, Rr., Sta. Wgn.						1							2894 480-1
	Upper, Rr., Sta. Wgn							1						2894 556-7
	Upper, Frt., Sta. Wgn.							1						2894 558-9
	Upper, Rr., Sta. Wgn								1					2894 484-5
	Deck Opening Lower Panel Tail Lamp Opening		1							1				2894 560-1
	Tail Lamp			1										2784 654-5
	Tail Lamp Opening, 2 D., 2 D. H.T., Cv. Cp. and 4 D					1								2839 650-1
	w/SCREW, Tail Lamp Opening,													2900 912-3
	Upper, W-P Charger, W-S Charger R/T					1								2902 560-1
	Lower, W-P Charger, W-S Charger R/T					1								2902 526-7
	Deck Opening Lower Panel Tail Lamp Mtg., except Sta. Wgn							1						2900 956-7
	C-E								1					2900 875
	Deck Opening Lower Panel Tail Lamp Opening, Upper, C-E, C-L								1	1	1			2900 876
	Lower, C-L								1	1	1			2900 936
	SUPPORT, Tail Lamp Opening Reinforcement Ext., C-E, C-L								1	1	1			2900 880-1
	BRACKET, Tail Lamp Opening Reinforcement, C-L								4					2963 470
8-55-32	SUPPORT, Tail Lamp Mtg., Inner		1											2842 560-1
	Outer		1											2842 562-3

TYPE LETTERS Indicates

B - Barracuda

V - Valiant
L - Dart

R - Belvedere
W - Coronet

P - Plymouth
D - Dodge

C - Chrysler
Y - Imperial

AR Indicates use as required.

Indicates parts not listed in any previous parts book.

Numerals in parentheses () refer to notes.

★ Indicates change or addition.

Printed in U.S.A.
January 1971

CODE	PART NAME	ENG. TYPE OR CU.IN.	V	B	L	R	W	P	D	C	C	C	Y	PART NUMBER
			1-2	1-2	1-2	1-2	1-2	1-2	1-2	1	2	3	1	
8-55-57	SOCKET, Tail, Stop and Turn Signal Lamp		2	—	—	—	—	—	—	—	—	—	—	1841 893
			—	2	2	—	—	—	—	—	—	—	—	2822 196
	except Sta. Wgn.		—	—	—	2	—	—	—	—	—	—	—	2983 241
	Sta. Wgn		—	—	—	2	2	—	—	—	—	—	—	2525 669
	2 D., 2 D. H.T. and 4 D., W-K		—	—	—	—	—	4	—	—	—	—	—	2822 196
	W-T, W-L, W-M, W-H		—	—	—	—	—	4	—	—	—	—	—	2587 284
	2 D. H.T., Cv. Cp. and 4 D., W-P, W-S		—	—	—	—	—	4	—	—	—	—	—	1841 893
	W-P Charger, W-S Charger R/T, up to approx. April 1, 1969		—	—	—	—	4	—	—	—	—	—	—	2983 478
	after approx. April 1, 1969		—	—	—	—	4	—	—	—	—	—	—	2926 370
	2 D. and 4 D., P-K, P-T, P-E, P-L		—	—	—	—	—	2	—	—	—	—	—	2926 370
	except Sta. Wgn., P-M, P-H, P-P		—	—	—	—	—	4	—	—	—	—	—	2822 196
	Sta. Wgn		—	—	—	—	—	2	2	—	—	—	—	2587 284
	Except Sta. Wgn.		—	—	—	—	—	—	4	2	4	4	—	1841 893
	Sta. Wgn		—	—	—	—	—	—	—	2	—	—	—	2771 588
	Tail Lamp, W-P Charger, W-S Charger R/T, up to approx. April 1, 1969		—	—	—	—	2	—	—	—	—	—	—	2983 538
	after approx. April 1, 1969		—	—	—	—	2	—	—	—	—	—	—	1885 903
	SOCKET, CABLE and BRACKET, Qtr. Panel Tail, Stop, Turn Signal and Side Marker Lamp, Sta. Wgn.		—	—	—	—	—	—	—	1	—	—	—	2930 784-5
8-55-63	CONTACT, INSULATOR and SPRING PACKAGE, Socket		AR	AR	AR	AR	AR	AR	AR	AR	AR	AR	AR	2584 972
	W-P Charger, W-S Charger R/T		—	—	—	—	2	—	—	—	—	—	—	2497 980
8-55-136	HOUSING and LENS, Qtr. Panel Tail, Stop and Turn Signal Lamp, except Sta. Wgn., R-K, R-T, R-L, R-M, R-H		—	—	—	1	—	—	—	—	—	—	—	2930 246-7
8-55-154	FILLER, Lower Deck Opening Panel Tail, Stop, Turn Signal, Back-Up and Side Marker Lamp, except Sta. Wgn.		—	—	—	—	—	—	1	—	—	—	—	2930 836-7
8-55-158	BEZEL, Qtr. Panel Tail, Stop and Turn Signal Lamp Lens, w/o Formula "S" Pkg.		—	1	—	—	—	—	—	—	—	—	—	2930 244-5
	w/Formula "S" Pkg.		—	1	—	—	—	—	—	—	—	—	—	2930 734-5
	Sp. 2 D. H.T., w/o Ornamentation Pkg.		—	1	—	—	—	—	—	—	—	—	—	2930 244-5
	Sta. Wgn		—	—	—	—	—	1	—	—	—	—	—	2930 216-7
	Sta. Wgn.		—	—	—	—	—	—	1	—	—	—	—	2930 200-1
	BEZEL and WELT, Qtr. Panel Tail Stop Turn Signal and Back-Up Lamp		—	—	1	—	—	—	—	—	—	—	—	2930 622-3
	BEZEL, except Sta. Wgn., R-K, R-T, R-L, R-M, R-H		—	—	—	1	—	—	—	—	—	—	—	2930 586-7
	Qtr. Panel Tail, Stop and Turn Signal Lamp, R-P except Sta. Wgn., R-S		—	—	—	1	—	—	—	—	—	—	—	2930 658-9
	Sta. Wgn.		—	—	—	1	—	—	—	—	—	—	—	2930 466-7
	Sta. Wgn		—	—	—	—	1	—	—	—	—	—	—	2930 482-3
	Sta. Wgn		—	—	—	—	—	—	1	—	—	—	—	2930 322-3
	BEZEL, LENS and GASKET PACKAGE, Lower Deck Opening Panel Tail, Stop, Turn Signal and Back-Up Lamp, except Sta. Wgn., W-K, W-T, W-L, W-M, W-H, up to Approx. Jan. 1, 1969		—	—	—	—	1	—	—	—	—	—	—	2932 736-7

TYPE LETTERS Indicates

B - Barracuda

V - Valiant
L - DartR - Belvedere
W - CoronetP - Plymouth
D - DodgeC - Chrysler
Y - Imperial

AR Indicates use as required.

Indicates parts not listed in any previous parts book.

Numerals in parentheses () refer to notes.

★ Indicates change or addition.

Printed in U.S.A.
January 1971

CODE	PART NAME	ENG. TYPE OR CU.IN.	V	B	L	R	W	P	D	C	C	C	Y	PART NUMBER
			1-2	1-2	1-2	1-2	1-2	1-2	1-2	1	2	3	1	
8-55-0 TAIL, STOP AND TURN SIGNAL LAMP Cont'd														
8-55-158	BEZEL Cont'd													
	After approx. Jan. 1, 1969						1							2932 956-7
	BEZEL, C-E									1				2930 064-5
	C-L									1				2930 356-7
	Qtr. Panel Tail, Stop, Turn Signal and Side Marker Lamp, 2 D. and 4 D., P-K, P-T, P-L							1						2930 400-1
	2 D., 4 D. w/o Ornamentation Pkg., P-E							1						2930 400-1
	P-M except Sta. Wgn., P-P							1						2930 402-3
	P-H							1						2930 408-9
	Tailgate Tail, Stop and Turn Signal Lamp, Sta. Wgn., P-K w/Ornamentation Pkg., P-L, P-M Sta. Wgn.							1						2930 168-9
	Lower Deck Opening Panel Tail, Stop, Turn Signal, Back-Up and Side Marker Lamp, except Sta. Wgn., D-K, D-T, D-M								1					2930 186-7
	2 D. H.T., Cv. Cp., 4 D. w/o Ornamentation Pkg., 4 D. H.T., D-L								1					2930 040-1
	Except Sta. Wgn., D-H								1					2930 030-1
	Lower Deck Opening Panel Tail, Stop and Turn Signal Lamp										1			2930 054-5
												1		2930 082-3
8-55-159	SCREW, Qtr. Panel Tail, Stop, Turn Signal and Back-Up Lamp Bezel Att.			8										6026 818
	STUD, Lower Deck Opening Panel Tail, Stop and Turn Signal Lamp Hsg. Att.										16	12		6024 579
8-55-161	J/NUT, Tailgate Tail, Stop and Turn Signal Lamp Hsg. Mtg., Sta. Wgn., P-K w/Ornamentation Pkg., P-L, P-M							8						6014 023
	Sta. Wgn.							10						6014 023
	Qtr. Panel Tail, Stop, Turn Signal and Side Marker Lamp Hsg. Mtg., Top, Sta. Wgn.									2				6023 111
	NUT and WASHER, Lower Deck Opening Panel Tail, Stop and Turn Signal Lamp Hsg. Att., C-E, C-L									8	16	12		6027 625
8-55-194	LENS and GASKET PACKAGE, Qtr. Panel Tail, Stop and Turn Signal Lamp		1											2932 760-1
	Except Sta. Wgn., R-K, R-T, R-L, R-M, R-H		1											2932 728-9
	R-P except Sta. Wgn., R-S				1									2932 732-3
	Sta. Wgn.				1									2932 734-5
	Sta. Wgn.					1								2932 816-7
	Sta. Wgn.,						1							2932 764-5
	Sta. Wgn.							1						2932 738-9
	Sta. Wgn.								1					2932 746-7
	Sta. Wgn.									1				2932 792-3
	Qtr. Panel Tail, Stop, Turn Signal and Back-Up Lamp			1										2932 730-1
	Qtr. Panel Tail, Stop, Turn Signal and Side Marker Lamp, 2 D. and 4 D., P-K, P-T, P-L							1						2932 710-1

TYPE LETTERS Indicates

B - Barracuda

V - Valiant
L - DartR - Belvedere
W - CoronetP - Plymouth
D - DodgeC - Chrysler
Y - Imperial

AR Indicates use as required.

Indicates parts not listed in any previous parts book.

Numerals in parentheses () refer to notes.

★ Indicates change or addition.

Printed in U.S.A.
January 1971

CODE	PART NAME	ENG. TYPE OR CU.IN.	V	B	L	R	W	P	D	C	C	C	Y	PART NUMBER
			1-2	1-2	1-2	1-2	1-2	1-2	1	2	3	1		
8-55-0 TAIL, STOP AND TURN SIGNAL LAMP Cont'd														
8-55-194	LENS and GASKET PACKAGE Cont'd													
	2 D., 4 D. w/o Ornamentation Pkg., P-E							1						2932 710-1
	P-M except Sta. Wgn., P-H, P-P Lower Deck Panel Tail, Stop and Turn Signal Lamp, W-P Charger, W-S Charger R/T							1						2932 712-3
	C-E, C-L									1				2932 824-5
											1			2932 716-7
												1		2932 714-5
													1	2932 720-1
	Deck Opening Panel Tail, Stop, Turn Signal and Back-Up Lamp, 2 D.H.T., Cv. Cp. and 4 D., W-P, W-S, up to approx. Jan. 1, 1969						1							2932 870-1
	After Approx. Jan. 1, 1969						1							2932 958-9
	Lower Deck Opening Panel Tail, Stop, Turn Signal, Back-Up and Side Marker Lamp, except Sta. Wgn., D-K, D-T, D-M								1					2932 722-3
	2 D. H.T., Cv. Cp., 4 D. w/o Ornamentation Pkg., 4 D. H. T., D-L								1					2932 722-3
	Except Sta. Wgn., D-H Tailgate Tail, Stop and Turn Signal Lamp, Sta. Wgn., P-K w/ Ornamentation Pkg., P-L, P-M								1					2932 748-9
								1						2932 742-3
									1					2932 752-3
	Rr. Bumper Tail, Stop, Turn Signal and Back-Up Lamp												1	2932 758-9
8-55-300	CONTACT, Socket		AR	AR	AR	AR	AR	AR	AR	AR	AR	AR	AR	2256 966
8-56-0 BACK-UP LAMP														
8-56-1	LAMP, Back-Up, Up to Approx. Jan. 1, 1969			1										2930 616-7
	after approx. Jan. 1, 1969			1										2930 808-9
	Except Sta. Wgn.				2									2930 807
	Sta. Wgn, w/Lens recessed the Bezel				2	2								3004 110
	Sta. Wgn., w/Lens extrude the Bezel				2	2								2930 806
	W-P Charger W-S Charger R/T, w/Lens recessed the Bezel					2								3004 110
	W-P Charger, W-S Charger R/T, w/Lens extrude the Bezel, up to approx. Dec. 1, 1968					2								2930 806
	after approx. Dec. 1, 1968					2								2930 970
	Except Sta. Wgn						2							2932 808
	Sta. Wgn.						2	2	2					2930 953
	Up to approx. Jan. 1, 1969									2	2			2930 570
	after approx. Jan. 1, 1969										2	2		3403 226
8-56-2	SWITCH, Back-Up Lamp, w/Manual Trans., C-E, C-L		1	1	1	1	1	1	1	1				2258 404
8-56-4	NUT and WASHER, Hsg. Att., to Bezel											6		6027 625
8-56-8	LENS and GASKET PACKAGE		1											2932 762-3
				2										2808 997
					2									2932 954
	Sta. Wgn., up to approx. Jan. 1, 1969					2	2	2						2932 954
	Sta. Wgn.					2								2932 954
	W-P Charger, W-S Charger R/T					2								2932 954
	Sta. Wgn. After approx. Jan. 1, 1969						2	2	2					2932 993

TYPE LETTERS Indicates

B - Barracuda

V - Valiant
L - DartR - Belvedere
W - CoronetP - Plymouth
D - DodgeC - Chrysler
Y - Imperial

AR Indicates use as required.

Indicates parts not listed in any previous parts book.

Numerals in parentheses () refer to notes.

★ Indicates change or addition.

Printed in U.S.A.
January 1971

CODE	PART NAME	ENG. TYPE OR CU.IN.	V	B	L	R	W	P	D	C	C	C	Y	PART NUMBER
			1-2	1-2	1-2	1-2	1-2	1-2	1-2	1	2	3	1	
8-56-0 BACK-UP LAMP Cont'd														
8-56-8	LENS and GASKET PACKAGE Cont'd													
	Except Sta. Wgn.							2						2932 809
	C-E, C-L									1				2932 718-9
	up to approx. Jan. 1, 1969											2	2	2932 835
	after approx. Jan. 1, 1969											2	2	2932 953
8-56-11	RETAINER, Back-Up Lamp Mtg.				2									2853 440
	Sta. Wgn.					2	2	2	2					2853 440
	Back-Up Lamp Lens				2									2853 439
	Sta. Wgn.					2	2	2	2					2853 439
	W-P Charger, W-S Charger R/T					2								2853 439
8-56-23	GASKET, Back-Up Lamp Lens				2									2853 437
	Sta. Wgn.					2	2	2	2					2853 437
	W-P Charger, W-S Charger R/T					2								2853 437
	Except Sta. Wgn.							2						2930 362
8-56-25	SEAL WASHER, Back-Up Lamp Medallion										2	2		2603 240
8-56-27	CONTACT, INSULATOR and SPRING PACKAGE, Socket		AR	AR	AR	AR	AR	AR	AR	AR	AR	AR	AR	2584 972
8-56-34	SOCKET, Back-Up Lamp		2											2771 588
	C-E, C-L			2										2926 848
	2 D., 2 D. H.T., Cv. Cp. and 4 D.				2		2		2	2	2	2		2857 515
	W-P Charger, W-S Charger R/T					2								2926 848
	Except Sta. Wgn.								2					2857 515
	Except Sta. Wgn., D-L, D-M								2					2926 848
	Sta. Wgn.					2		2						2857 515
8-56-36	BEZEL, Back-Up Lamp, up to approx. Jan. 1, 1969			1										2857 515
	after approx. Jan. 1, 1969			1										2930 618-9
8-56-41	SCREW, Mtg.				4									2930 810-1
	SCREW, Mtg., Sta. Wgn.					4	4	4	4					6024 403
	SCREW, Mtg., W-P Charger, W-S Charger R/T						4							6024 403
	SCREW, Lens Mtg., except Sta. Wgn.							4						6024 403
	STUD, Mtg.											6		6027 601
8-56-46	GASKET, Back-Up Lamp Switch Mtg., w/Manual Trans., C-E, C-L		1	1	1	1	1	1	1					6024 579
														1302 807

8-57-0 LICENSE LAMP

8-57-10	LAMP, License		1											2606 200
	Except Sta. Wgn.			1	1									2575 059
	Sta. Wgn.					1								2853 756
	2 D., 2 D. H.T., Cv. Cp. and 4 D.					2	2	2	2					2853 563
	W-P Charger, W-S Charger R/T						1							2575 059
	except Sta. Wgn.							1	1	1	1	1		2853 561
													1	2575 059
8-57-11	SCREW and WASHER, License Lamp Mtg.		2											2853 466
8-57-54	LENS and GASKET PACKAGE, License Lamp		1										1	6028 006
	Except Sta. Wgn.					1								2585 174
8-57-58	SHIELD, License Lamp, except Sta. Wgn.													2585 174
8-57-89	CONTACT, INSULATOR and SPRING PACKAGE, Socket		AR	AR	AR	AR	AR	AR	AR	AR	AR	AR	AR	2930 726
														2584 972

TYPE LETTERS Indicates

B - Barracuda

V - Valiant
L - Dart

R - Belvedere
W - Coronet

P - Plymouth
D - Dodge

C - Chrysler
Y - Imperial

AR Indicates use as required.

Indicates parts not listed in any previous parts book.

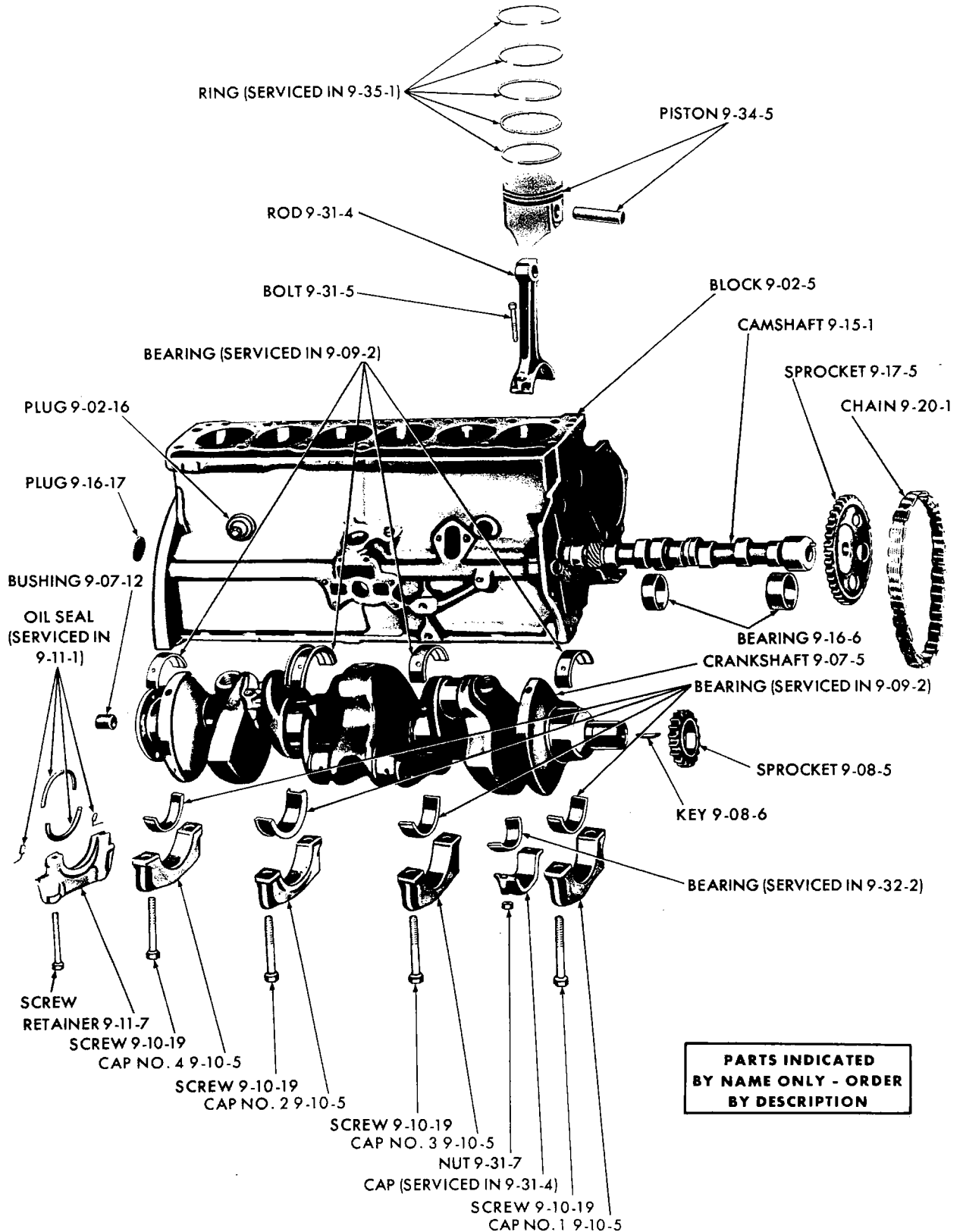
Numerals in parentheses () refer to notes.

★ Indicates change or addition.

Printed in U.S.A.
January 1971

NOTES

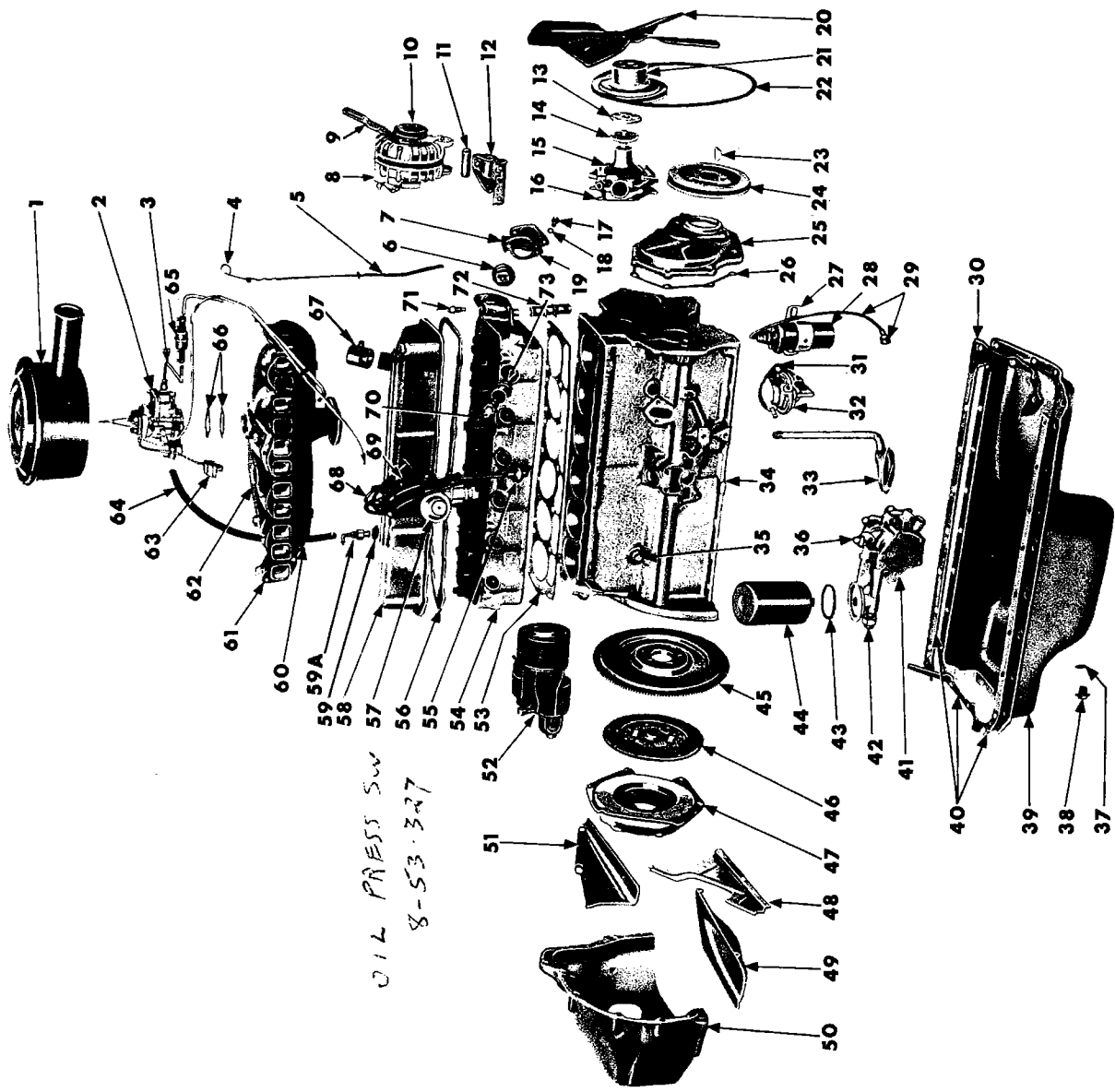
GROUP 9 - ENGINE



19x8786B

SHORT ENGINE - 170 AND 225 6 CYLINDER ENGINES

19a12110



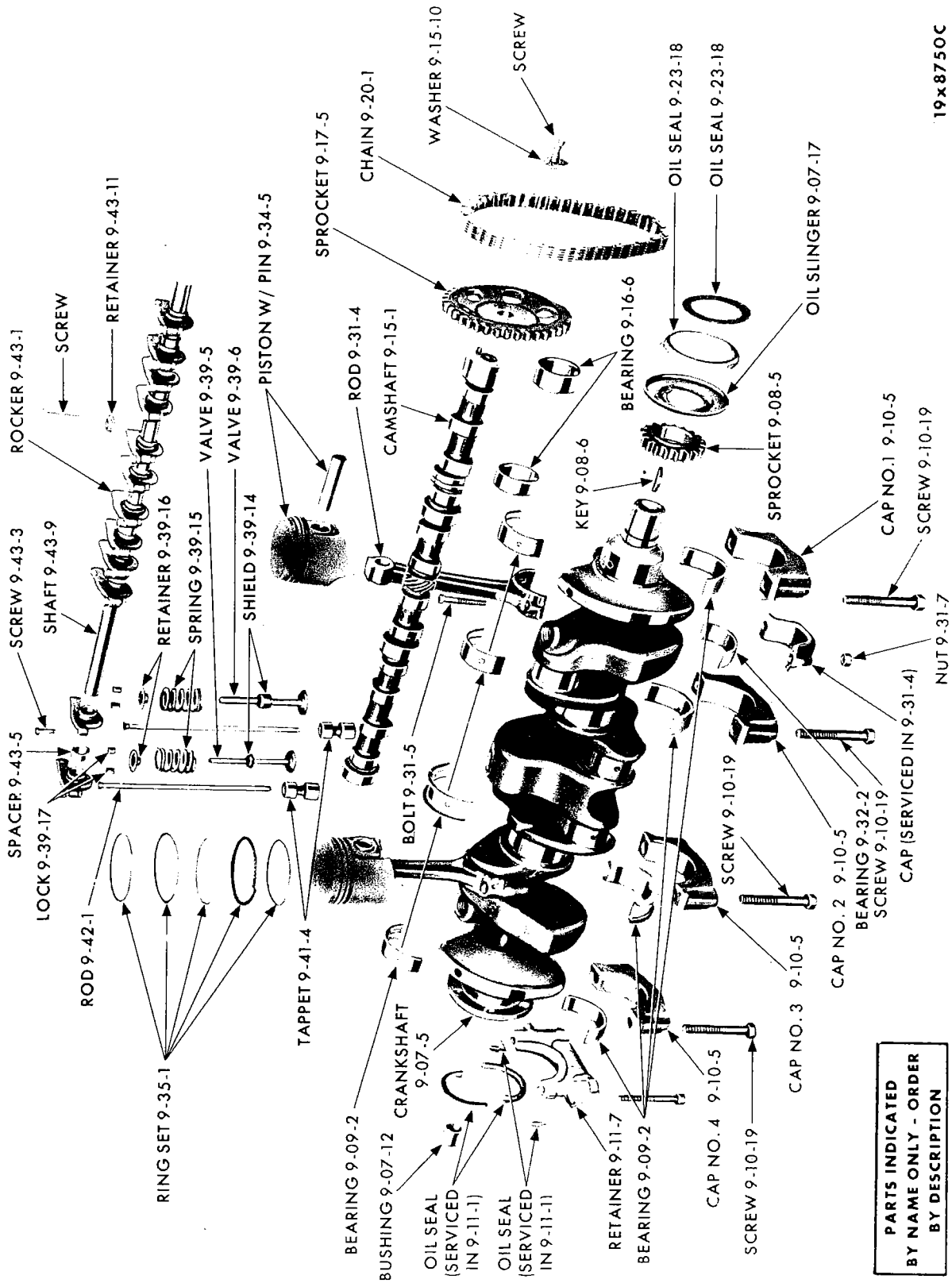
EXTERNAL ENGINE - 170 AND 225 6 CYLINDER

EXTERNAL ENGINE - 170 AND 225 6 CYLINDER

Ref. No.	Name	Part Type Code	Ref. No.	Name	Part Type Code
1	Air Cleaner	14-29-2	38	Plug	10-24-37
2	Carburetor	14-30-1	39	Pan	10-24-4
3	Tube	14-89-2	40	Gasket (Serviced in 10-24-1) . . .	
4	Indicator	10-03-4	41	Pump	10-07-6
5	Tube	10-03-7	42	Cap	10-22-40
6	Thermostat	7-41-4	43	Gasket (Serviced in 10-26-6) . . .	
7	Elbow	9-05-5	44	Filter	10-26-6
8	Alternator	8-28-3	45	Flywheel	9-45-1
9	Strap	8-28-15	46	Disc	6-13-1
10	Pulley	8-28-297	47	Cover, w/Plate	6-14-1
11	Spacer	Not Serviced	48	Seal	6-10-10
12	Bracket	8-28-36	49	Pan	6-10-2
13	Spacer	7-02-16	50	Housing	6-09-1
14	Hub	7-05-1	51	Strut	6-09-11
15	Pump Package	7-42-1	52	Starter	8-52-4
16	Gasket	7-44-4	53	Gasket	9-03-5
17	Screw		54	Head	9-03-4
18	Washer		55	Cover	8-36-117
19	Gasket	9-05-6	56	Gasket	9-03-29
20	Fan	7-02-1	57	Distributor	8-27-1
21	Pulley	7-06-14	58	Cover	9-03-28
22	Belt	7-03-1	59	Grommet	10-02-61
23	Key	9-08-5	59A	Valve	10-02-62
24	Damper	9-13-5	60	Manifold	9-48-6
25	Cover	9-23-5	61	Gasket (Serviced in 9-50-1)	
26	Gasket	9-23-17	62	Manifold	9-48-7
27	Bracket	8-35-41	63	Choke	14-39-45
28	Coil	8-35-4	64	Hose	10-02-53
29	Cable	8-36-49	65	Fuel Filter	14-67-1
30	Gasket	10-24-1	66	Gasket	14-30-2
31	Gasket	14-74-1	67	Air Cleaner	10-01-21
32	Pump Package	14-73-1	68	Cable Set	8-36-1
33	Strainer, w/Pipe	10-23-7	69	Cap	8-27-71
34	Block	9-02-5	70	Spark Plug	8-36-114
35	Plug		71	Sending Unit	8-37-155
36	Gasket	10-07-11	72	Hose, Water Pump By-Pass	7-14-9
37	Gasket	10-24-38	73	Tube	8-36-136

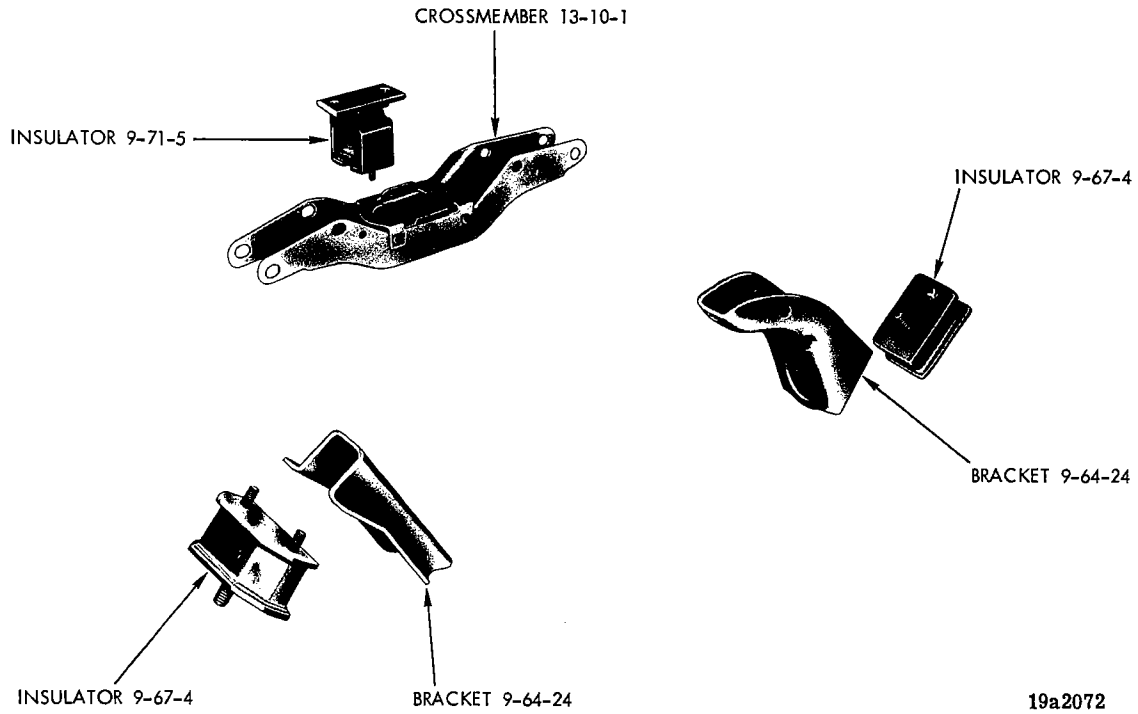
PARTS INDICATED BY NAME ONLY - ORDER BY DESCRIPTION

1969 PASSENGER CAR PARTS CATALOG

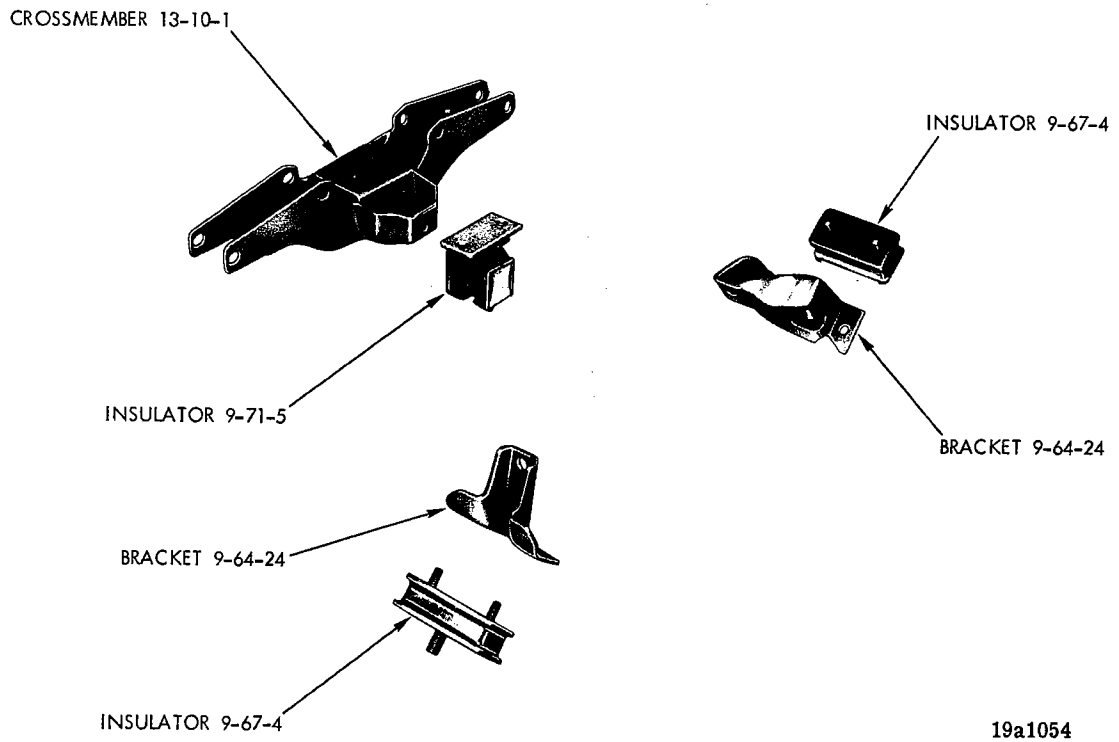


19x8750C

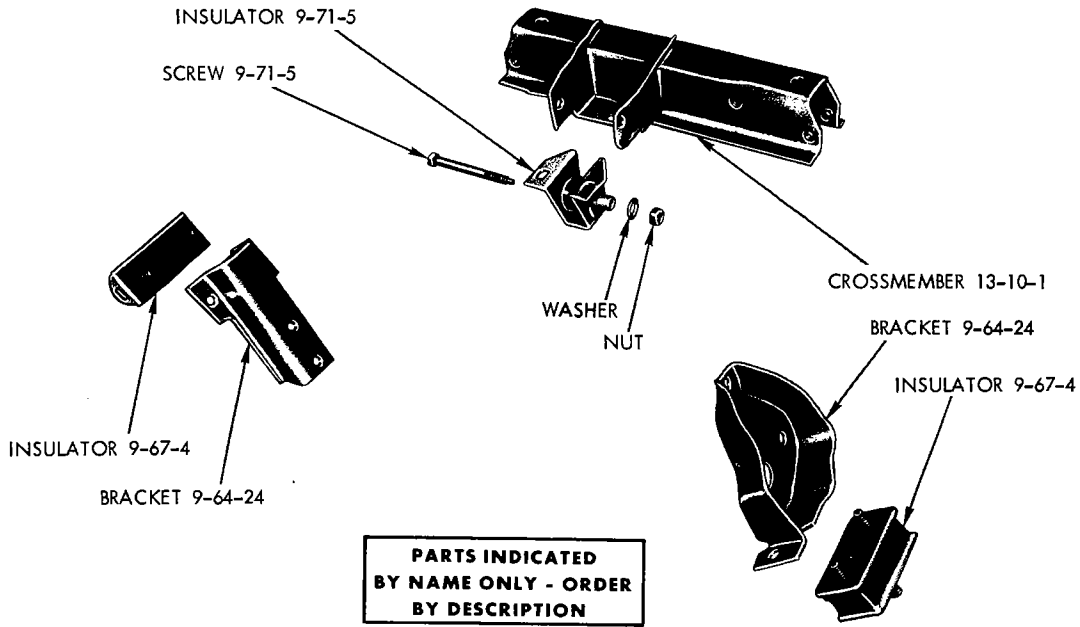
INTERNAL ENGINE - 170 AND 225 6 CYLINDER ENGINES



ENGINE MOUNTINGS - VALIANT, BARRACUDA AND DART (6 CYLINDER ENGINES)

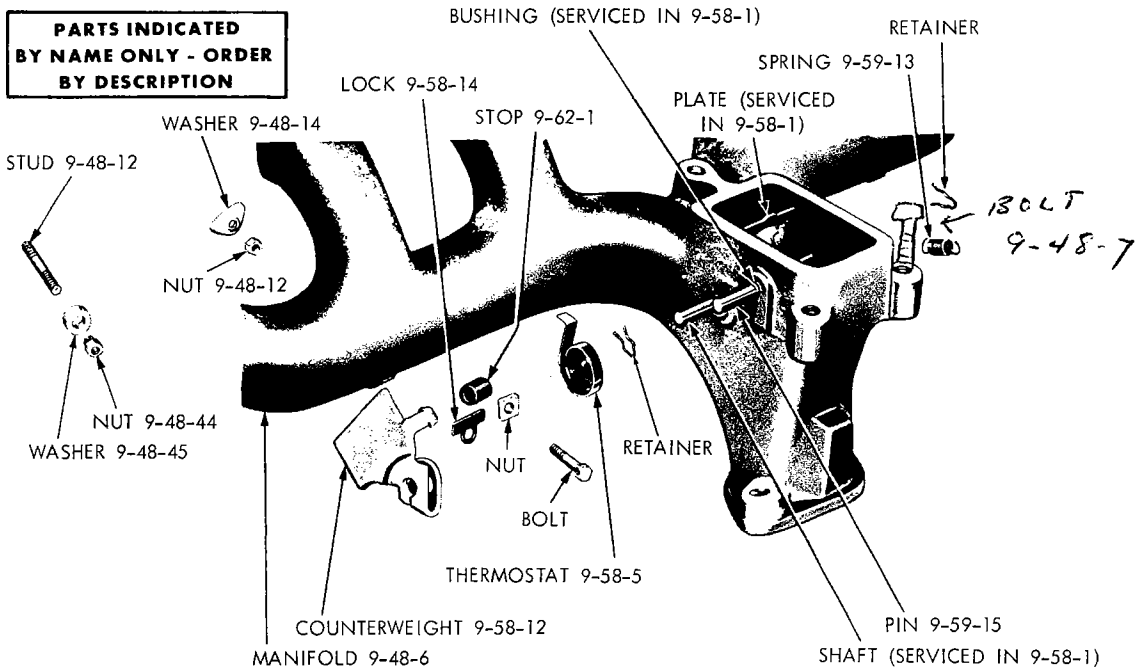


ENGINE MOUNTINGS - BELVEDERE AND CORONET (6 CYLINDER ENGINES)



19a2671

ENGINE MOUNTINGS (6 CYLINDER) - PLYMOUTH



19a0315 D

ENGINE EXHAUST MANIFOLD WITH HEAT CONTROLS - 170 AND 225 6 CYLINDER ENGINES

IMPORTANT

ENGINE PARTS IN GROUP 9 ARE NOW LISTED UNDER THE CUBIC INCH DISPLACEMENT ENGINE TO WHICH THEY APPLY RATHER THAN BY CAR LINE AS IN EARLIER CATALOGS AND OTHER GROUPS OF THIS CATALOG. COLUMN HEADINGS INDICATING "CUBIC INCH DISPLACEMENT" HAVE REPLACED THE USUAL "VALIANT-DART", "PLYMOUTH-DODGE", ETC., HEADINGS. TO IDENTIFY ENGINES, SEE "ENGINE IDENTIFICATION NUMBERS" IN THE GENERAL INFORMATION SECTION. IN ADDITION, 6 and 8 CYLINDER ENGINES ARE LISTED IN SEPARATE SECTIONS OF THIS CATALOG.

NOTE: The following symbols are used in connection with engine numbers. Engine numbers without symbols indicate "Standard Cylinders and Crankshaft Bearings".

The Letter "A" immediately following the engine identification number indicates Bore .020" (.508 MM) Larger than Standard.

The Letter "B" immediately following the engine identification number indicates Main and Connecting Rod Bearings .010" (.245 MM) Smaller than Standard.

The Letters "AB" immediately following the engine identification number indicates Cylinder Bore .020" (.508 MM) Larger than Standard and the Main and Connecting Rod Bearings .010" (.245MM) Smaller than Standard.

The Letters in the circular pads at either end of the engine number are for the use of factory inspectors only and should not be connected with engine number.

Always mention Serial Numbers when ordering major assemblies!

CODE	PART NAME AND DESCRIPTION	PER CAR	CU. IN. DISPLACEMENT & PISTON BORE SIZE		
			170	225	
			3.40	3.40	
SIX CYLINDER ENGINES					
9-01-0 ENGINE ASSEMBLY					
9-01-5	GASKET SET, Engine	1	3004 839	3004 839	
	NOTE: Short Engine Assemblies Consist of: The Cylinder Block with Pistons and Rings, Crankshaft and Bearings, Connecting Rods and Bearings, Camshaft and Bearings, Camshaft Thrust Plate, Camshaft and Crankshaft Sprockets and Timing Chain.				
9-01-24	SHORT ENGINE, w/Std. Compression, V1, L1	1	2951 504	-----	
	B1, Export	1	2951 504	-----	
	w/Low Compression, V1, L1	1	2951 506	-----	
	w/Std. Compression	1	-----	2951 508	
	w/Low Compression	1	-----	2951 510	
	SHORT ENGINE, Std. Compression Canada	1	2651 490	-----	
	Low Compression Canada	1	2651 491	-----	
	Std. Compression Canada	1	-----	2651 688	
	Low Compression Canada	1	-----	2651 689	
9-02-0 CYLINDER BLOCK					
9-02-5	BLOCK, w/PISTONS and RINGS, w/Std. Compression, V1, L1	1	2463 395	-----	
	B1, Export	1	2463 395	-----	
	w/Low Compression, V1, L1	1	2463 396	-----	
	w/Std. Compression	1	-----	2951 694	
	w/Low Compression	1	-----	2951 693	
9-02-0 CYLINDER BLOCK					
9-02-5	BLOCK, Cylinder, w/PISTONS and RINGS				
	Std. Compression Canada	1	2453 772	-----	
	Low Compression Canada	1	2453 789	-----	
	Std. Compression Canada	1	-----	2651 738	
	Low Compression Canada	1	-----	2651 739	
9-02-7	DOWEL, Cylinder Block to Clutch Housing or Torque Converter Housing	2	1122 532	1122 532	
	Eccentric, .007" Over Center	AR	1736 347	1736 347	
	Eccentric, .014" Over Center	AR	1736 348	1736 348	
	Eccentric, .021" Over Center	AR	1736 353	1736 353	
TYPE LETTERS Indicates		V - Valiant	R - Belvedere	P - Plymouth	C - Chrysler
	B - Barracuda	L - Dart	W - Coronet	D - Dodge	Y - Imperial

AR Indicates use as required.

Indicates parts not listed in any previous parts book.

Numerals in parentheses () refer to notes.

★ Indicates change or addition.

Printed in U.S.A.
January 1971

1969 PASSENGER CAR PARTS CATALOG

ENGINE

CODE	PART NAME AND DESCRIPTION	PER CAR	CU. IN. DISPLACEMENT & PISTON BORE SIZE	
			170	225
			3.40	3.40

SIX CYLINDER ENGINES

9-02-0 CYLINDER BLOCK Cont'd.

9-02-16	PLUG, Cylinder Block Water Hole .065 O/S	AR	2406 356	2406 356
	PLUG, Cylinder Block Water Jacket Drain	AR	2406 575	2406 575
9-02-37	COVER, Cylinder Block Starter Opening, w/Heavy Duty Eng., R1, W1, P1	1	1859 127	1859 127
9-02-50	HEATER PACKAGE, Eng. Jacket	Canada	1	2536 649
	w/2 Wire	Canada	1	2649 524
	w/3 Wire	Canada	1	2653 277
	HEATER ASSY., Eng. Jacket	Canada	1	2653 278
9-02-62	CORD ASSY., Eng. Jacket Heater	Canada	1	2863 477
	EXTENSION CORD, ASSY.	Canada	1	2659 518
9-02-77	CLIP, Heater Cord to Oil Pan Bolt	Canada	1	1511 389
		Canada	1	1260 876

9-03-0 CYLINDER HEAD

9-03-4	HEAD, Cylinder	Canada	1	2843 819	2843 819
9-03-5	GASKET, Cylinder Head	Canada	1	2846 167	2843 167
9-03-10	BOLT, Cylinder Head		1	2843 182	2843 182
9-03-18	PLUG, Cylinder Head Heater Hole, w/o Heater		14	1947 687	1947 687
9-03-28	COVER, Cylinder Head		1	1859 127	1859 127
9-03-29	GASKET, Cylinder Head Cover		1	2536 932	2536 932
			1	2899 250	2899 250

9-05-0 CYLINDER HEAD WATER OUTLET ELBOW

9-05-5	ELBOW, Cylinder Water Outlet		1	2121 524	2121 524
9-05-6	GASKET, Cylinder Water Outlet Elbow		1	1947 671	1947 671

9-07-0 CRANKSHAFT

9-07-5	CRANKSHAFT	Canada	1	2843 941	2899 582
9-07-12	BUSHING, Crankshaft Trans. Drive Pinion Pilot		1	2899 584	2899 584
9-07-17	OIL SLINGER, Crankshaft		1	532 98	532 98
			1	2899 530	2899 530

9-08-0 CRANKSHAFT SPROCKET

9-08-5	SPROCKET, Crankshaft		1	2128 912	2128 912
	KEY		1	152 191	152 191

9-09-0 CRANKSHAFT BEARING PACKAGE

NOTE: When .001 thicker wall Crankshaft Main Bearings are used for Engines in Production, a Maltese Cross is stamped on the Model Pad of the Cylinder Block.

NOTE: Crankshaft Bearing Package Consist of one upper and one lower Bearing.

9-09-2	BEARING PACKAGE, No. 1 Std.		1	2240 368	2240 368
	Nos. 2 and 4 Std.		2	2240 376	2240 376
	No. 3 Std.		1	2240 372	2240 372
	No. 1 .001 U/S		1	2240 369	2240 369
	Nos. 2 and 4 .001 U/S		2	2240 377	2240 377
	Nos. 2 and 4 .002 U/S		2	2240 378	2240 378
	No. 3 .001 U/S		1	2240 373	2240 373
	No. 1 .002 U/S		1	2240 370	2240 370
	No. 3 .002 U/S		1	2240 374	2240 374
	No. 1 .003 U/S		1	2275 381	2275 381
	Nos. 2 and 4 .003 U/S		2	2275 383	2275 383
	No. 3 .003 U/S		1	2275 385	2275 385
	No. 1 .010 U/S		1	2240 371	2240 371

TYPE LETTERS Indicates

B - Barracuda

V - Valiant
L - Dart

R - Belvedere
W - Coronet

P - Plymouth
D - Dodge

C - Chrysler
Y - Imperial

AR Indicates use as required.

Indicates parts not listed in any previous parts book.

Numerals in parentheses () refer to notes.

★ Indicates change or addition.

Printed in U.S.A.
January 1971

CODE	PART NAME AND DESCRIPTION	PER CAR	CU. IN. DISPLACEMENT & PISTON BORE SIZE	
			170	225
			3.40	3.40
SIX CYLINDER ENGINES				
9-09-0 CRANKSHAFT BEARING PACKAGE Cont'd.				
9-09-2	BEARING Cont'd.			
	Nos. 2 and 4 .010 U/S	2	2240 379	2240 379
	No. 3 .010 U/S	1	2240 375	2240 375
	No. 1 .012 U/S	1	2275 382	2275 382
	Nos. 2 and 4 .012 U/S	2	2275 384	2275 384
	No. 3 .012 U/S	1	2275 386	2275 386
9-10-0 CRANKSHAFT BEARING CAP				
9-10-5	CAP, Crankshaft Bearing, Nos. 1 and 2	2	2084 403	2084 403
	No. 3	1	2084 405	2084 405
	No. 4	1	2084 405	2084 405
9-10-19	SCREW, Crankshaft Bearing Cap	8	1618 695	1618 695
	No. 4	1	2084 404	2084 404
9-11-0 CRANKSHAFT REAR BEARING OIL SEAL				
9-11-1	OIL SEAL PACKAGE, Crankshaft Rear Bearing	1	2084 411	2084 411
9-11-7	RETAINER, Crankshaft Bearing Oil Seal, Lower	1	1947 557	1947 557
9-13-0 CRANKSHAFT VIBRATION DAMPER				
9-13-5	DAMPER	1	2806 211	2806 211
9-15-0 CAMSHAFT				
9-15-1	CAMSHAFT	1	2465 852	2465 852
	w/2 Bbl. Carb., Export	1	-----	2843 563
9-16-0 CAMSHAFT BEARING				
9-16-6	BEARING, Camshaft, No. 1 Std.	1	2121 725	2121 725
	No. 2 Std.	1	1821 772	1821 772
	No. 3 Std.	1	2121 726	2121 726
	No. 4 Std.	1	2121 727	2121 727
	No. 1 .010 O/S	1	2205 510	2205 510
	No. 2 .010 O/S	1	2205 512	2205 512
	No. 3 .010 O/S	1	2205 514	2205 514
	No. 4 .010 O/S	1	2205 516	2205 516
9-17-0 CAMSHAFT SPROCKET				
9-17-5	SPROCKET, Camshaft	1	2806 945	-----
9-20-0 TIMING CHAIN				
9-20-1	CHAIN	1	2202 499	2202 499
9-23-0 CHAIN CASE COVER				
9-23-5	COVER, w/Timing INDICATOR	1	2863 126	2863 126
	SCREW, w/WASHER	1	6024 246	6024 246
	SCREW, w/WASHER	1	6024 246	6024 246
9-23-17	GASKET, Chain Case Cover	1	1947 554	1947 554
9-23-18	OIL SEAL, Chain Case Cover	1	2899 531	2899 531
9-31-0 CONNECTING ROD				
NOTE: Connecting Rod includes Bearing Cap, Bolt, Nut, Lockwasher and Bushing, But does not include bearing.				

TYPE LETTERS Indicates

B - Barracuda

V - Valiant
L - DartR - Belvedere
W - CoronetP - Plymouth
D - DodgeC - Chrysler
Y - Imperial

AR Indicates use as required.

Indicates parts not listed in any previous parts book.

Numerals in parentheses () refer to notes.

★ Indicates change or addition.

Printed in U.S.A.
January 1971

CODE	PART NAME AND DESCRIPTION	PER CAR	CU. IN. DISPLACEMENT & PISTON BORE SIZE	
			170	225
			3.40	3.40

SIX CYLINDER ENGINES

9-31-0 CONNECTING ROD Cont'd.

9-31-4	ROD, Connecting	6	1947 165	2406 657
9-31-5	BOLT, Connecting Bearing Cap	12	1944 865	1944 865
9-31-7	NUT, Connecting Rod Bearing Cap Bolt	12	1737 695	1737 695

9-32-0 CONNECTING ROD BEARING PACKAGES

NOTE: When .001 thicker wall Connecting Rod Bearings are used for Engines in Production, A Maltese Cross is stamped on the model pad of the Cylinder Block.
NOTE: Connecting Rod Bearing Packages consists of one upper and one lower Bearing.

9-32-2	BEARING PACKAGE, Std.	6	2421 356	2421 356
	.001 U/S	6	2421 357	2421 357
	.002 U/S	6	2421 358	2421 358
	.003 U/S	6	2421 359	2421 359
	.010 U/S	6	2421 360	2421 360
	.012 U/S	6	2421 361	2421 361

9-34-0 PISTON, W/PIN

NOTE: The following Pistons include Pin and Retaining Rings.

9-34-5	PISTON, Std. 3.40" Bore	6	2084 384	2084 384
	.005 O/S. from 3.40" Bore	6	2084 385	2084 385
	.020 O/S. from 3.40" Bore	6	2084 386	2084 386
	.040 O/S. from 3.40" Bore	6	2084 387	2084 387
	.060 O/S. from 3.40" Bore	6	2298 546	2298 546
	Low Compression, Export, Std. 3.40" Bore	6	2084 388	2084 388
	Low Compression, Export, 005 O/S. from 3.40" Bore	6	2084 389	2084 389
	Low Compression, Export, 020 O/S from 3.40" Bore	6	2084 390	2084 390

9-35-0 PISTON RING SETS

9-35-1	RING SET, Piston, Std. to .009 O/S	1	2448 735	2448 735
	.020 to .029 O/S	1	2275 440	2275 440
	.040 to .49 O/S	1	2275 441	2275 441

9-39-0 VALVE

9-39-1	GASKET PACKAGE, Valve Grinding	1	3004 840	3004 840
9-39-5	VALVE, Intake Std.	6	1947 623	1947 623
	.015 o/S	6	2121 579	2121 579
	.030 O/S	6	2121 580	2121 580
9-39-6	VALVE, Exhaust Std	6	1947 624	1947 624
	.005 O/S	6	2121 581	2121 581
	.015 O/S	6	2121 582	2121 582
	.030 O/S	6	2121 583	2121 583
9-39-14	SHIELD, Intake Valve Stem Oil	6	2205 958	2205 958
	Exhaust Valve Stem Oil	6	2205 959	2205 959
9-39-15	SPRING, Valve	12	1739 534	1739 534
9-39-16	RETAINER, Valve Spring	12	2402 045	2402 045
9-39-17	LOCK, Intake Valve Spring Retainer	12	381 875	381 875
	LOCK, Exhaust Valve Spring Retainer	12	1614 666	1614 666
9-39-21	SPACER, Valve Spring	AR	1859 144	1859 144

9-41-0 VALVE TAPPET

9-41-4	TAPPET, Std	12	2469 501	2469 501
	.001 O/S	12	2469 502	2469 502
	.008 O/S	12	2469 503	2469 503
	.030 O/S	12	2469 504	2469 504

TYPE LETTERS Indicates B - Barracuda V - Valiant R - Belvedere P - Plymouth C - Chrysler
D - Dodge L - Dart W - Coronet Y - Imperial

AR Indicates use as required.

Indicates parts not listed in any previous parts book.

Numerals in parentheses () refer to notes.

★ Indicates change or addition.

Printed in U.S.A.
January 1971

CODE	PART NAME AND DESCRIPTION	PER CAR	CU. IN. DISPLACEMENT & PISTON BORE SIZE	
			170	225
			3.40	3.40

SIX CYLINDER ENGINES

9-42-0 VALVE PUSH ROD

9-42-1	ROD, Valve Push	12	1947 704	2120 514
--------	-----------------	----	----------	----------

9-43-0 VALVE ROCKER

9-43-1	ROCKER, Valve	12	1947 594	1947 594
9-43-3	SCREW, Valve Rocker Adjusting	12	1855 238	1855 238
9-43-5	SPACER, Valve Rocker	6	2120 694	2120 694
9-43-9	SHAFT, Valve Rocker	1	1947 614	1947 614
9-43-11	RETAINER, Valve Rocker Shaft, End and Intermediate Center	6 1	1947 616 1947 617	1947 616 1947 617
9-43-19	PLUG, Valve Rocker Shaft	2	1324 268	1324 268

9-45-0 FLYWHEEL

9-45-1	FLYWHEEL, w/Ring GEAR w/Heavy Duty Eng., R1, W1, P1 w/11" Clutch	1 1 Canada 1	2863 402 ----- -----	2863 402 2863 405 2863 405
9-45-2	GEAR, Flywheel Ring w/Heavy Duty Eng., R1, W1, P1 w/11" Clutch	1 1 Canada 1	2121 196 ----- -----	2121 196 1673 646 1673 646

9-46-0 TORQUE CONVERTER

9-46-4	TORQUE CONVERTER, w/A904 Trans. w/A727 Trans., w/Heavy Duty Eng., R1, W1, P1	1 1	2801 762 -----	2801 762 2643 586
9-46-8	PLATE, Torque Converter Drive w/Heavy Duty Eng., R1, W1, P1	1 1	2801 745 -----	2801 745 2204 719
9-46-21	SCREW, Drive Plate to Torque Converter	4	1949 765	1949 765
9-46-31	SCREW, Torque Converter Drive Plate to Crankshaft	6	1949 424	1949 424
9-46-31	COOLER, Radiator Core Oil, 7 3/4" Maximum lgh., 1" dia., V, B, L	AR	2949 001	2949 001
	7 3/4" Maximum lgh., 1 1/4" dia., V, B, L	AR	2949 002	2949 002
	11 3/4" Maximum lgh., 1" dia.,	AR	2949 003	2949 003
	16 3/4" Maximum lgh., R, W	AR	-----	2949 005
	13 3/4" Maximum lgh., V, B, L, P	AR	2949 006	2949 006
	13 3/4" Maximum lgh., 1 1/4" dia., R, W, P	AR	-----	2949 004
9-46-33	BRACKET, Trans. Oil Cooler Tube, V & B1, L1 R1, W1, P1	1 1	1949 176 -----	1949 176 2464 999
	D1	Canada 1	-----	2464 999
9-46-43	NUT, Trans. Oil Cooler Tube, Radiator End Trans. End	2 2	1941 667 1941 667	1941 667 1941 667
9-46-94	DOWEL, Cylinder Block to Clutch Housing or Torque Converter Housing Eccentric, .007" Over Center	2 AR	1122 532 1736 347	1122 532 1736 347
	Eccentric, .014" Over Center	AR	1736 348	1736 348
	Eccentric, .021" Over Center	AR	1736 353	1736 353
9-46-130	SEAL, Trans. Torque Converter Impeller Hub, w/904 Auto. Trans. w/727 Auto. Trans., R, W, P	1 1	2124 705 -----	2124 705 1942 020
9-46-228	ROLLER, Torque Converter Overrunning Clutch	8	670 776	670 776
9-46-229	SPRING, Torque Converter Overrunning Clutch Roller	8	1942 187	1942 187

9-48-0 MANIFOLD

9-48-6	MANIFOLD, Exhaust	1	2658 349	2658 349
	MANIFOLD, Exhaust, w/Anti-Icing	Canada 1	-----	2658 349
9-48-7	MANIFOLD, Intake w/Two Bbl. Carb., Export	1 1	2899 960 -----	2899 960 2806 816
	BOLT, Intake to Exhaust Manifold	2	6025 759	6025 759
	WASHER, Intake to Exhaust Manifold	1	6022 185	6022 185

TYPE LETTERS Indicates

B - Barracuda

V - Valiant

L - Dart

R - Belvedere

W - Coronet

P - Plymouth

D - Dodge

C - Chrysler

Y - Imperial

AR Indicates use as required.

Indicates parts not listed in any previous parts book.

Numerals in parentheses () refer to notes.

★ Indicates change or addition.

Printed in U.S.A.
January 1971

1969 PASSENGER CAR PARTS CATALOG

ENGINE

CODE	PART NAME AND DESCRIPTION	PER CAR	CU. IN. DISPLACEMENT & PISTON BORE SIZE	
			170	225
			3.40	3.40

SIX CYLINDER ENGINES

9-48-0 MANIFOLD Cont'd.				
9-48-8	CONNECTOR, Intake Manifold Vacuum Control, One Way Connector Tube, .252" dia.	AR	2658 625	2658 625
	One Way Connector Tube, 127" dia	AR	1858 955	1858 955
	One Way Connector Tube, Side Mounting 125" dia	AR	—	2863 486
9-48-12	STUD, Intake Manifold	1	2121 585	2121 585
9-48-14	WASHER, Intake and Exhaust Manifold Stud	8	2206 416	2206 416
	WASHER, Intake and Exhaust Manifold Stud	2	2121 223	2121 223
9-48-44	NUT, Exhaust Manifold Stud Upper End	2	1947 753	1947 753
9-48-45	WASHER, Exhaust Manifold Upper End	2	1947 752	1947 752
9-48-125	COVER, Exhaust Manifold Heat Tube to Carburetor Tube, 5.50" lgh	AR	1484 356	1484 356
9-48-126	TUBE, Exhaust Manifold Heat	1	2536 774	2536 774
9-50-0 MANIFOLD GASKETS				
9-50-1	GASKET SET, Manifold	1	3004 663	3004 663
9-50-3	GASKET, Intake to Exhaust Manifold	1	2843 279	2843 279
9-58-0 MANIFOLD HEAT CONTROL VALVE THERMOSTAT				
9-58-1	HEAT CONTROL PACKAGE, Manifold	1	3004 664	3004 664
9-58-5	THERMOSTAT, Exhaust Manifold Heat Control Valve	1	2899 951	2899 951
9-58-12	COUNTERWEIGHT, Exhaust Manifold Heat Control Valve	1	2468 307	2468 307
9-58-13	BOLT, Exhaust Manifold Heat Control Valve Counterweight	1	862 830	862 830
9-58-14	LOCK, Exhaust Manifold Heat Control Counterweight	1	1409 594	1409 594
9-59-0 MANIFOLD HEAT CONTROL VALVE				
9-59-13	SPRING, Exhaust Manifold Heat Control Valve Shaft	1	1558 897	1558 897
9-59-15	PIN, Exhaust Manifold Heat Control Valve Shaft Spring	1	1639 597	1639 597
9-62-0 MANIFOLD HEAT CONTROL VALVE STOP				
9-62-1	STOP, Exhaust Manifold Heat Control Valve	1	2465 203	2465 203
9-62-2	PIN, Exhaust Manifold Heat Control Valve Stop	1	2129 146	2129 146
9-64-0 ENGINE FRONT SUPPORT				
9-64-18	WASHER, Engine Front Support Insulator to Frame Bolt, except P1	2	2128 774	2128 774
	WASHER, Engine Front Support Insulator to Frame Bolt, Left, P1	1	—	2128 774
9-64-24	BRACKET, Engine Front Support Insulator, Right, V1, B1, L1, P1	1	2532 278	2532 278
	Left, V1, B1, L1	1	2806 841	2806 841
	Left, P1	1	—	2532 299
	Right, R1, W1	1	—	2806 479
	Left, R1, W1	1	—	2532 277
	D1, Lt. Canada	1	—	2532 299
	D1, Rt. Canada	1	—	2532 278
	BOLT, Bracket to Cylinder Block	2	9417 471	9417 471
9-67-0 ENGINE FRONT SUPPORT INSULATOR				
9-67-4	INSULATOR, Engine Front Support, Right, V1, B1, L1	1	2806 844	2806 844
	Left, V1, B1, L1	1	2806 842	2806 842
	Right, R1, W1	1	—	2806 476
	Left, R1, W1, P1	1	—	2658 283
	Right, P1	1	—	2658 784
	D1, Lt. Canada	1	—	2658 283
	D1, Rt. Canada	1	—	2658 784
	NUT, Insulator to Frame	AR	6023 353	6023 353
	SCREW, w/WASHER, Insulator to Frame, P1	1	—	6024 023
	WASHER, Insulator to Bracket, V Φ B1, L1	1	6023 054	6023 054

TYPE LETTERS indicates
 B - Barracuda V - Valiant R - Belvedere P - Plymouth C - Chrysler
 L - Dart W - Coronet D - Dodge Y - Imperial

AR Indicates use as required.

Indicates parts not listed in any previous parts book.

Numerals in parentheses () refer to notes.

* Indicates change or addition.

Printed in U.S.A.
January 1971

1969 PASSENGER CAR PARTS CATALOG

CODE	PART NAME AND DESCRIPTION	PER CAR	CU. IN. DISPLACEMENT & PISTON BORE SIZE	
			170	225
			3.40	3.40

SIX CYLINDER ENGINES

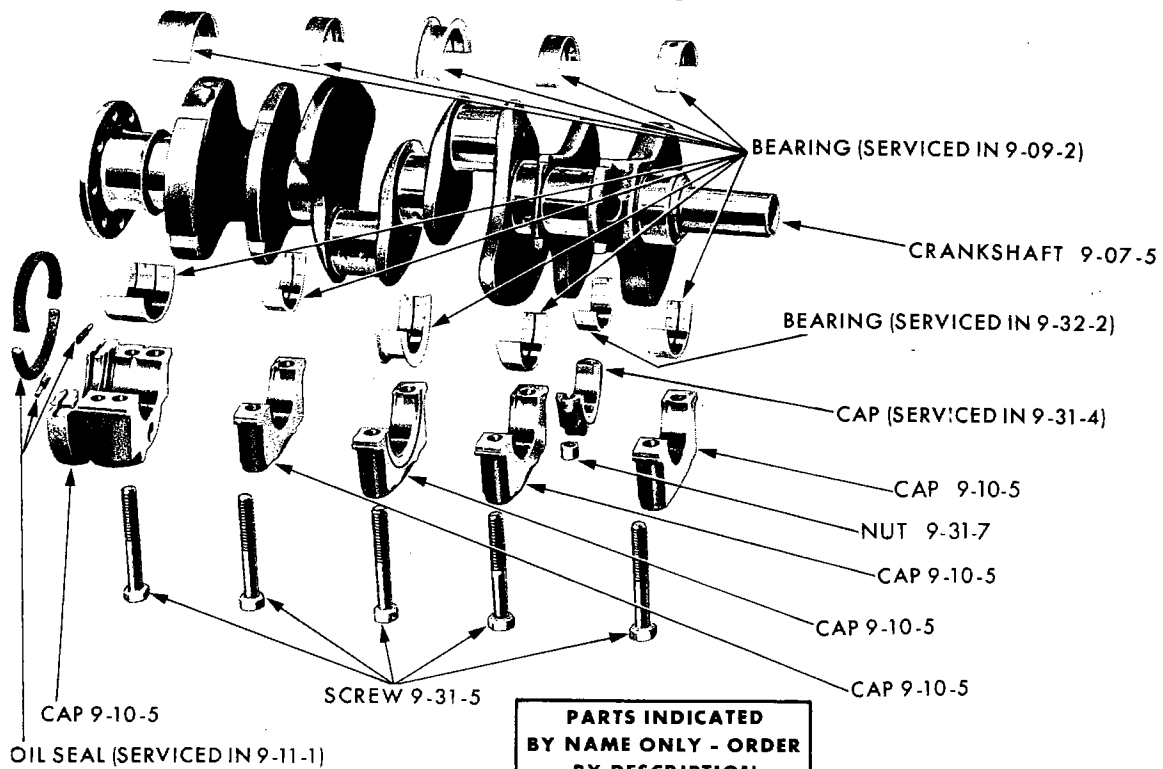
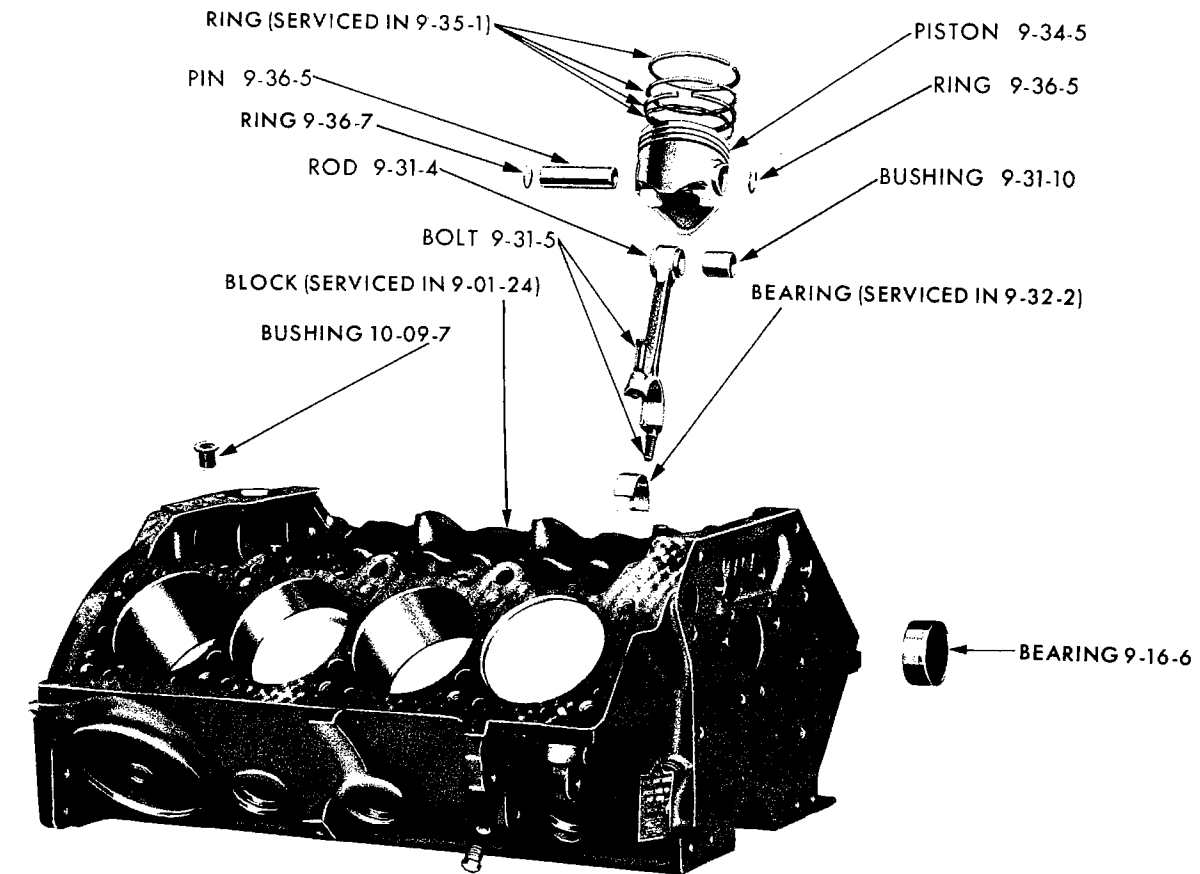
9-69-0 ENGINE REAR SUPPORT INSULATOR BRACKET				
9-69-12	SPACER, Engine Rear Support Insulator Bracket, P, D	2	-----	# 3410 700
9-71-0 ENGINE REAR SUPPORT INSULATOR				
9-71-5	INSULATOR, Engine Rear Support, V,B,L,R,W	1	2533 145	2533 145
	P	1	-----	2892 471
	SCREW, V,B,L,R,W	2	9417 471	-----
	SCREW, P	2	-----	6025 677
	BOLT, Insulator to Crossmember, P	1	-----	6028 237
	NUT, Insulator to Crossmember Bolt, P	1	-----	6023 353
	WASHER, Insulator to Crossmember Bolt P	1	-----	120 396

NOTES

TYPE LETTERS Indicates	B - Barracuda	V - Valiant L - Dart	R - Belvedere W - Coronet	P - Plymouth D - Dodge	C - Chrysler Y - Imperial
------------------------	---------------	-------------------------	------------------------------	---------------------------	------------------------------

NOTES

GROUP 9 - ENGINE

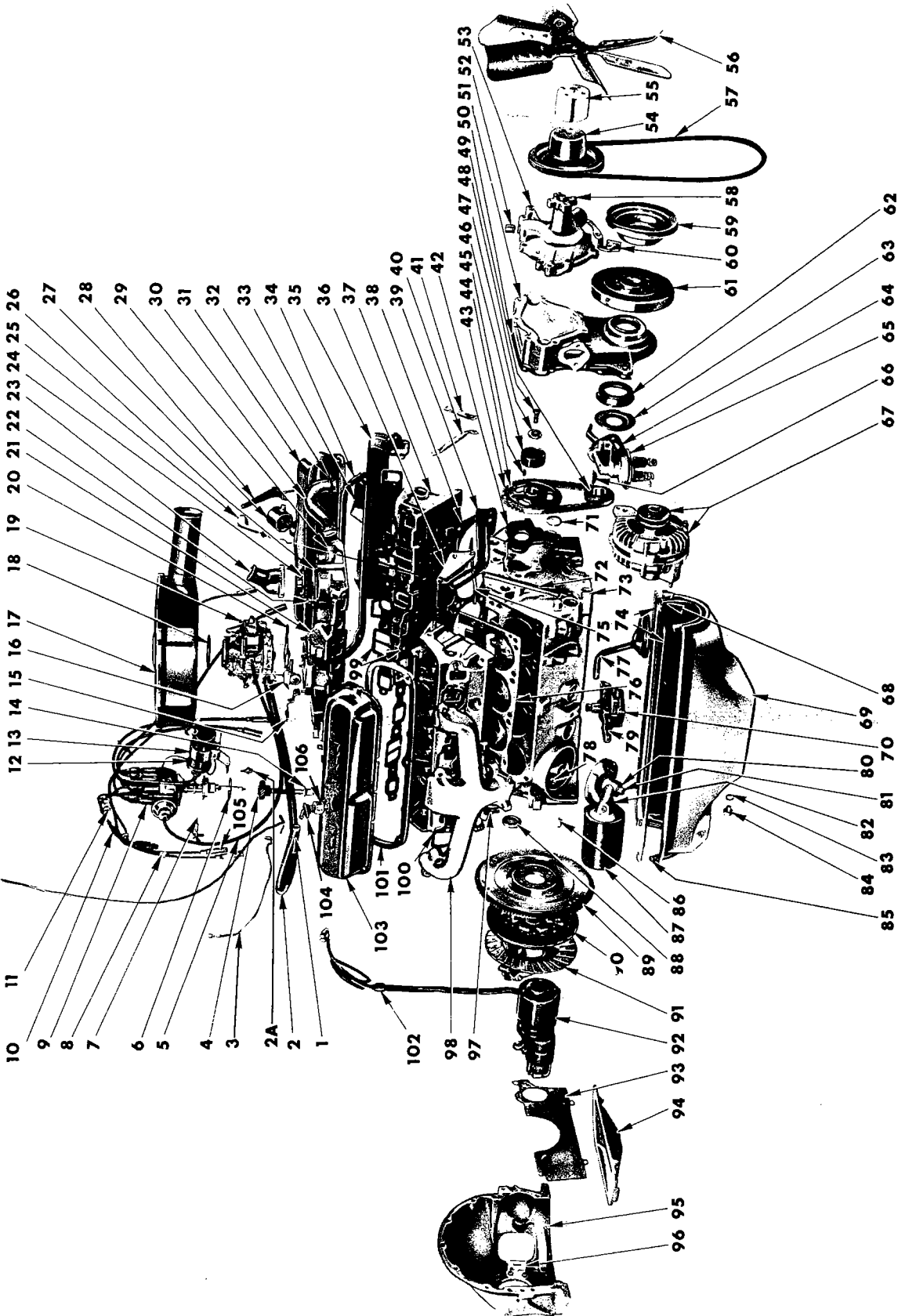


**PARTS INDICATED
BY NAME ONLY - ORDER
BY DESCRIPTION**

19x9791

SHORT ENGINE - 8 CYLINDER ENGINE

OIL PRESS. SW.
8-53-327



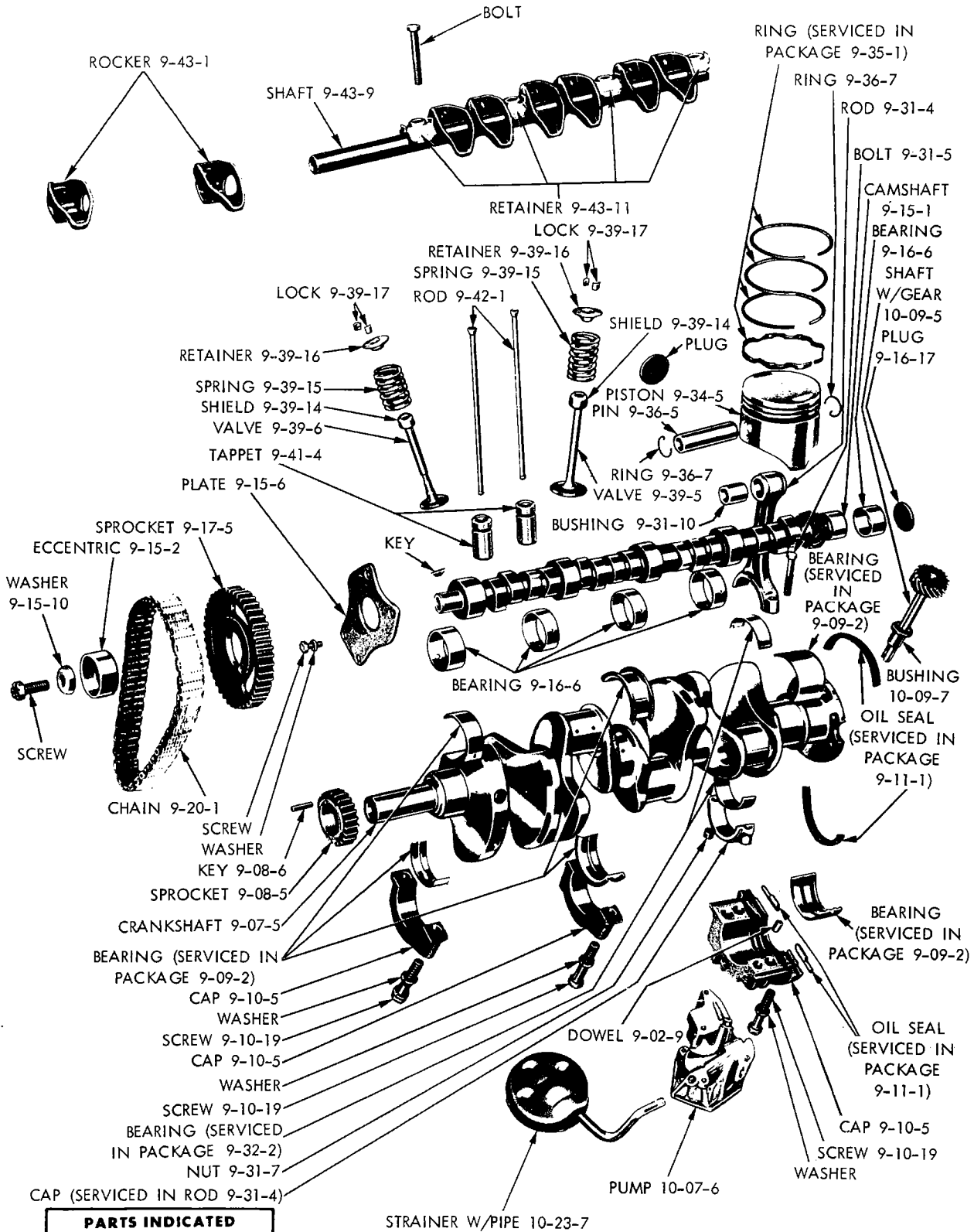
19L9983B

EXTERNAL ENGINE - 273, 318 AND 340 8 CYLINDER

EXTERNAL ENGINE - 273, 318 AND 340 8 CYLINDER

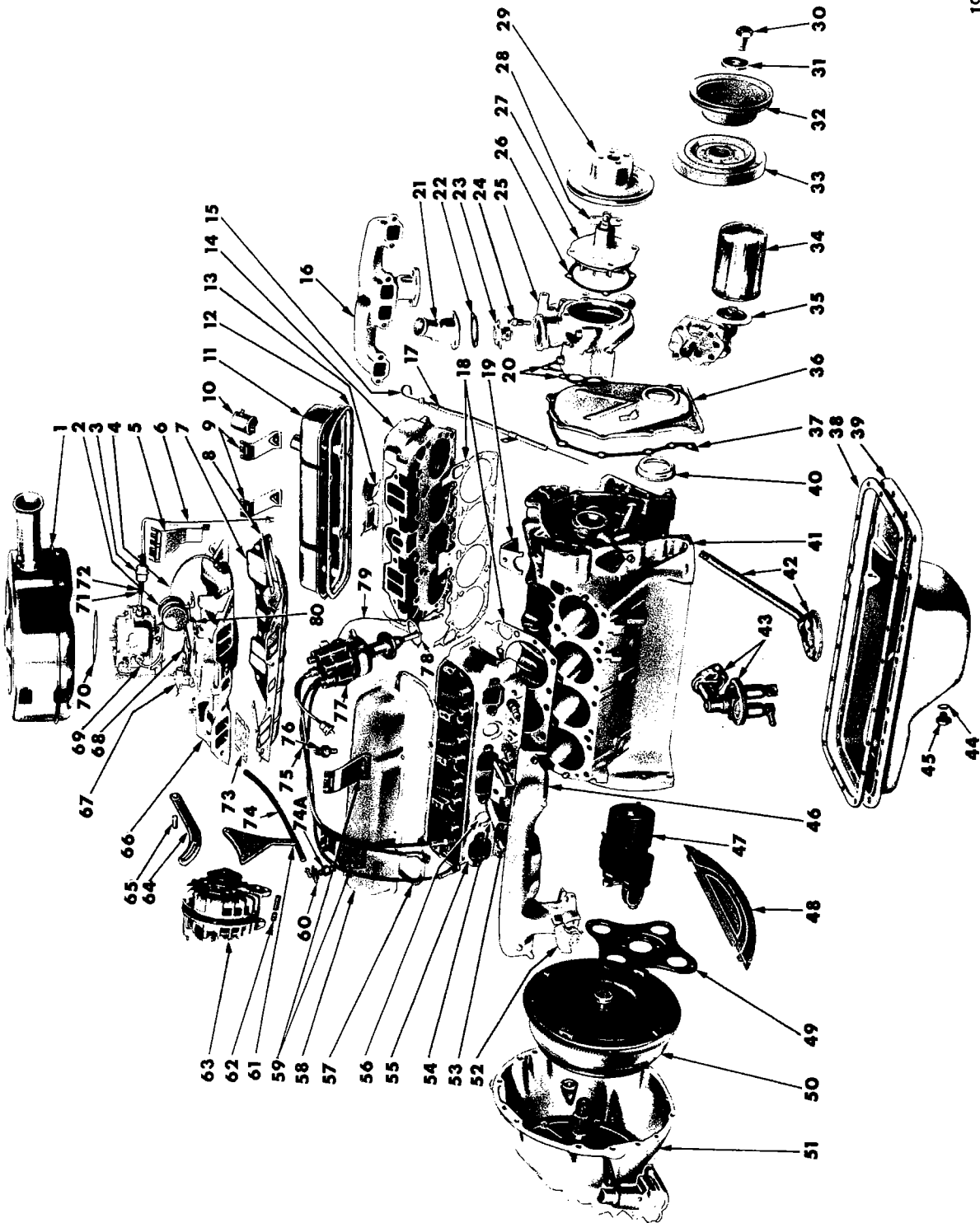
Ref. No.	Name	Part Type Code	Ref. No.	Name	Part Type Code
1	Clamp		54	Pulley	7-06-14
2	Hose	10-02-53	55	Spacer	7-02-16
2A	Valve	10-02-62	56	Fan	7-02-1
3	Cable	Not Serviced	57	Belt	7-03-1
4	Shaft	10-09-1	58	Hub	7-05-1
5	Tube	8-27-320	59	Pulley	7-06-1
6	Gasket	8-27-4	60	Indicator	9-23-40
7	Clamp	8-27-26	61	Damper	9-13-5
8	Grommet	8-36-92	62	Oil Seal	9-23-18
9	Distributor	8-27-1	63	Oil Slinger	9-07-17
10	Cable Set	8-36-1	64	Gasket	14-74-1
11	Bracket	8-36-4	65	Pump	14-73-1
12	Coil	8-35-4	66	Key	9-08-5
13	Bracket	8-35-41	67	Alternator	8-28-3
14	Bushing	10-09-7	68	Gasket	10-24-1
15	Bracket	14-26-6	69	Pan	10-24-4
16	Choke	14-39-45	70	Cover	10-07-7
17	Air Cleaner	14-29-2	71	Plug	9-02-16
18	Gasket	14-29-5	72	Tube	10-03-7
19	Carburetor	14-30-1	73	Block (Serviced in 9-01-24)	
20	Gasket	14-30-2	74	Gasket	10-24-1
21	Manifold	9-48-7	75	Gasket (Serviced in 9-50-1)	
22	Sending Unit	8-37-155	76	Gasket	9-03-5
23	Elbow	9-05-5	77	Strainer w/Pipe	10-23-7
24	Thermostat	7-41-4	78	Plug	
25	Indicator	10-03-4	79	Pump	10-07-6
26	Gasket	9-05-6	80	Gasket	10-07-8
27	Air Cleaner	10-01-21	81	Bolt	
28	Bracket	14-06-10	82	Base	10-26-12
29	Nipple	7-48-22	83	Gasket	10-24-38
30	By-Pass Hose	7-14-9	84	Plug	10-24-37
31	Cover	9-03-28	85	Gasket	10-24-1
32	Clamp		86	Plug	9-02-17
33	Gasket	9-50-5	87	Filter	10-26-6
34	Gasket	9-03-29	88	Plug	9-16-17
35	Manifold	9-48-6	89	Flywheel	9-45-1
36	Bracket	8-28-36	90	Disc	6-13-1
37	Head	9-03-4	91	Plate	6-14-1
38	Gasket	9-03-5	92	Starting Motor	8-52-4
39	Strap	8-28-15	93	Seal	6-10-10
40	Brace	9-48-155	94	Pan	6-10-2
41	Brace	9-48-155	95	Housing	6-09-1
42	Block (Serviced in 9-01-24)		96	Pivot	6-22-15
43	Chain	9-20-1	97	Counterweight	9-58-12
44	Sprocket	9-17-5	98	Manifold	9-48-6
45	Key	9-17-5	99	Gasket (Serviced in 9-50-1)	
46	Eccentric	9-15-2	100	Gasket	9-50-5
47	Washer	9-15-10	101	Gasket	9-03-29
48	Screw		102	Cable	8-01-17
49	Sprocket	9-08-5	103	Cover	9-03-28
50	Gasket	9-23-17	104	Grommet	10-02-61
51	Cover	9-23-5	105	Nipple	8-36-96
52	Nipple	7-48-22	106	Valve	10-02-62
53	Pump	7-42-1			

PARTS INDICATED BY NAME ONLY - ORDER BY DESCRIPTION



**PARTS INDICATED
 BY NAME ONLY - ORDER
 BY DESCRIPTION**

19a0694



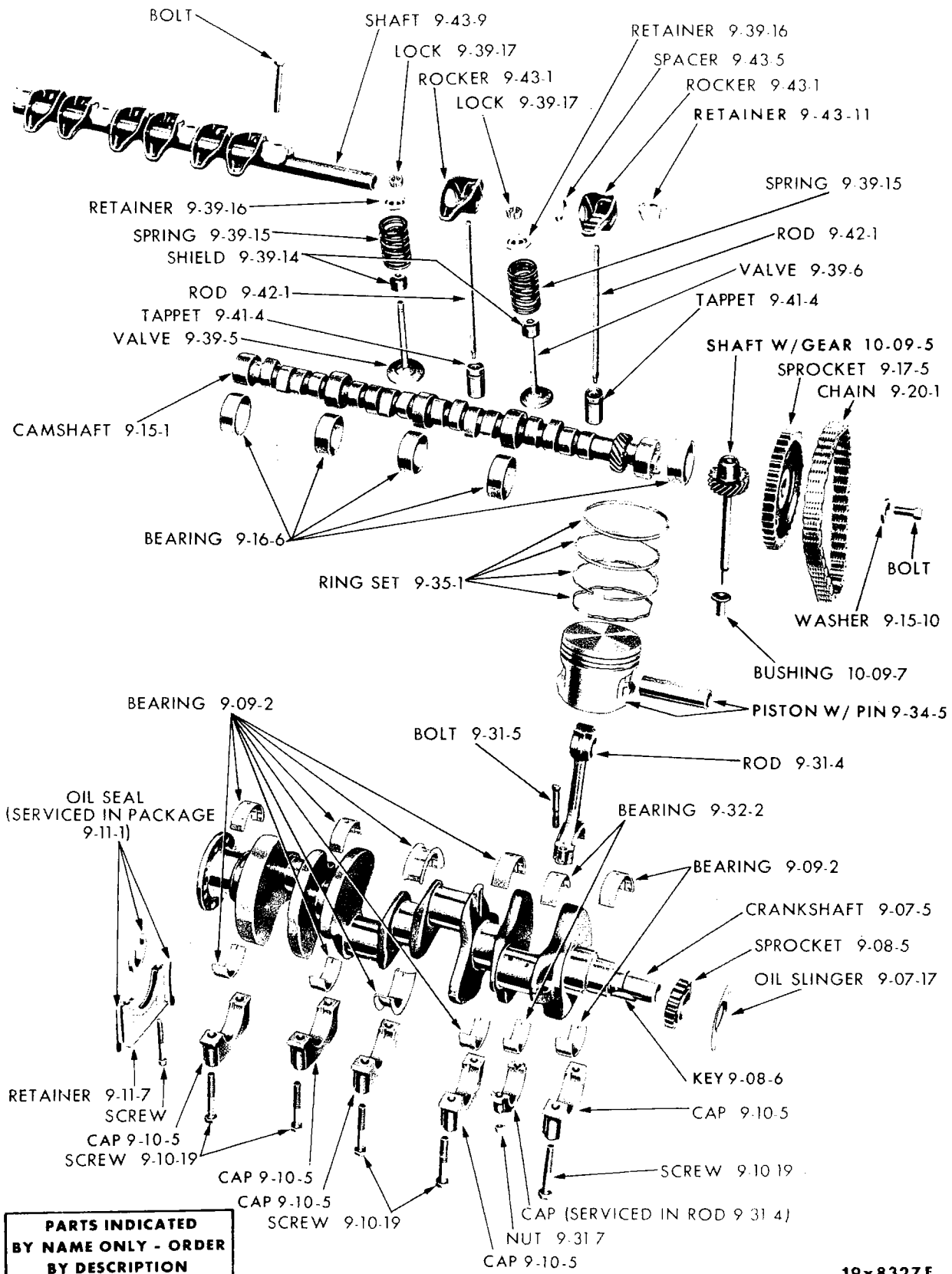
19L 9995 B

EXTERNAL ENGINE - 383 AND 440 8 CYLINDER

EXTERNAL ENGINE - 383 AND 440 8 CYLINDER

Ref. No.	Name	Part Type Code	Ref. No.	Name	Part Type Code
1	Air Cleaner (Also see Codes 14-29-7 and 14-29-9)	14-29-2	42	Strainer w/Pipe	10-23-7
2	Coil	8-35-4	43	Pump Package, Fuel	14-73-1
3	Filter	14-67-1	44	Gasket	10-24-38
4	Cable	8-36-49	45	Plug	10-24-37
5	Bracket	8-36-4	46	Manifold	9-48-6
6	Tube	14-89-2	47	Starter	8-52-4
7	Gasket	9-50-6	48	Cover	21-03-6
8	Reinforcement	9-48-27	49	Plate	9-46-8
9	Bracket	8-36-4	50	Torque Converter	9-46-4
10	Air Cleaner	10-01-21	51	Case, Transmission	21-03-1
11	Cover	9-03-28	52	Shield	9-58-12
12	Gasket	9-03-29	53	Spark Plug	8-36-114
13	Shield	8-36-124	54	Shield	8-36-124
14	Head	9-03-4	55	Head	9-03-4
15	Indicator	10-03-4	56	Plug	9-02-16
16	Manifold	9-48-6	57	Gasket	9-03-29
17	Tube	10-03-7	58	Cover	9-03-28
18	Gasket	9-03-5	59	Bracket	8-36-4
19	Clamp	8-27-26	60	Grommet	10-02-61
20	Gasket	7-44-4	61	Bracket	8-28-36
21	Elbow	9-05-5	62	Spacer	8-28-14
22	Gasket	9-05-6	63	Alternator	8-28-3
23	Thermostat	7-41-4	64	Strap	8-28-15
24	Sending Unit	8-37-155	65	Spacer	8-28-292
25	Housing	7-43-1	66	Manifold	9-48-7
26	Gasket	7-44-3	67	Choke	14-39-45
27	Pump	7-42-1	68	Gasket	14-30-2
28	Hub	7-05-1	69	Carburetor	14-30-1
29	Pulley	7-06-14	70	Gasket	14-29-5
30	Screw	9-07-8	71	Clamp	
31	Washer	9-07-22	72	Hose	14-67-2
32	Pulley	7-06-1	73	Silencer Package	9-41-1
33	Damper	9-13-5	74	Hose	10-02-53
34	Filter	10-26-6	74A	Valve	10-02-62
35	Pump	10-07-6	75	Cable Set	8-36-1
36	Cover	9-23-5	76	Switch	8-53-327
37	Gasket	9-23-17	77	Distributor	8-27-1
38	Gasket	10-24-8	78	Gasket	8-27-4
39	Pan	10-24-4	79	Lead	8-27-205
40	Oil Seal	9-23-18	80	Bracket	8-35-41
41	Block (Serviced in Short Engine 9-01-24)				

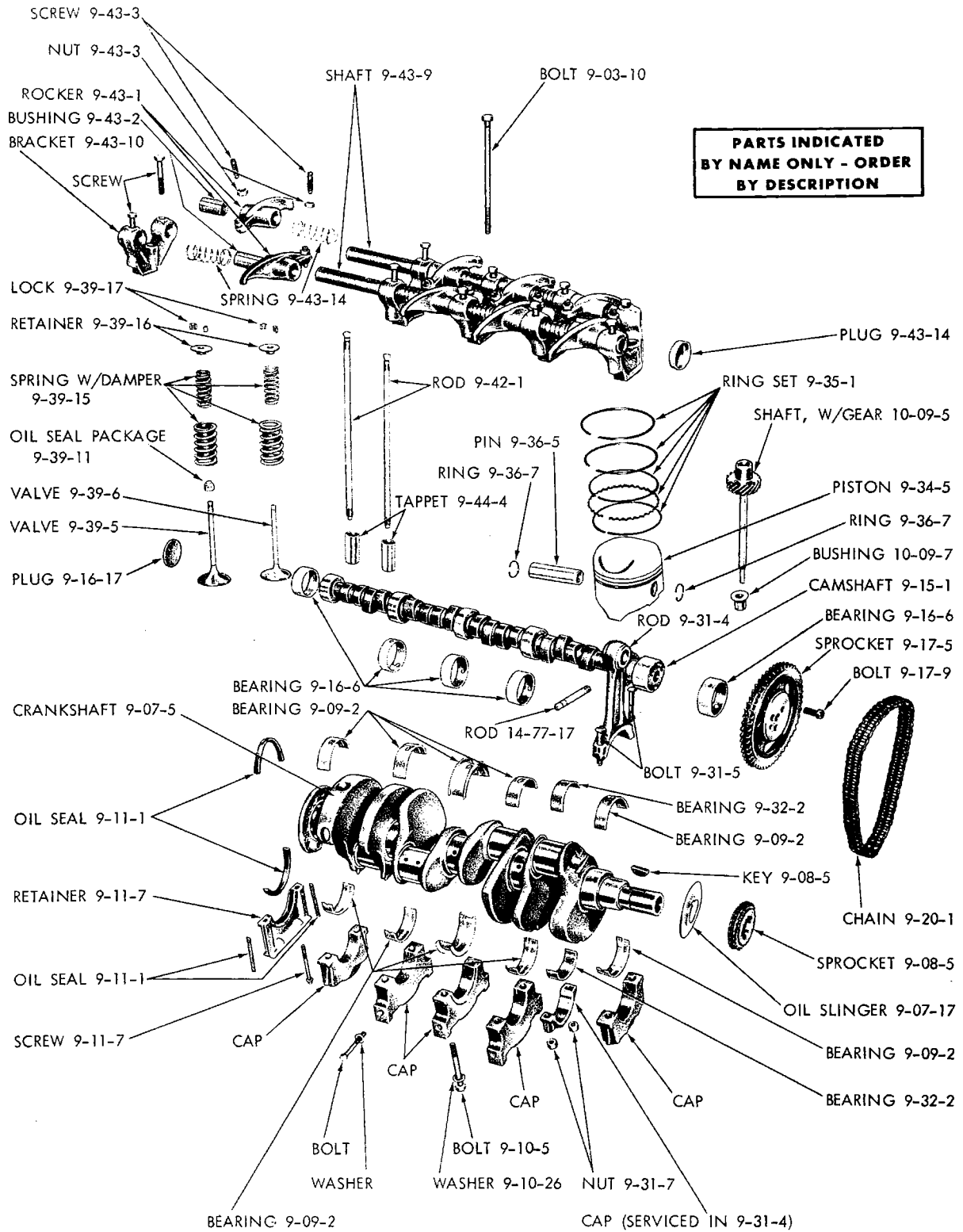
PARTS INDICATED BY NAME ONLY - ORDER BY DESCRIPTION



**PARTS INDICATED
 BY NAME ONLY - ORDER
 BY DESCRIPTION**

19x8327F

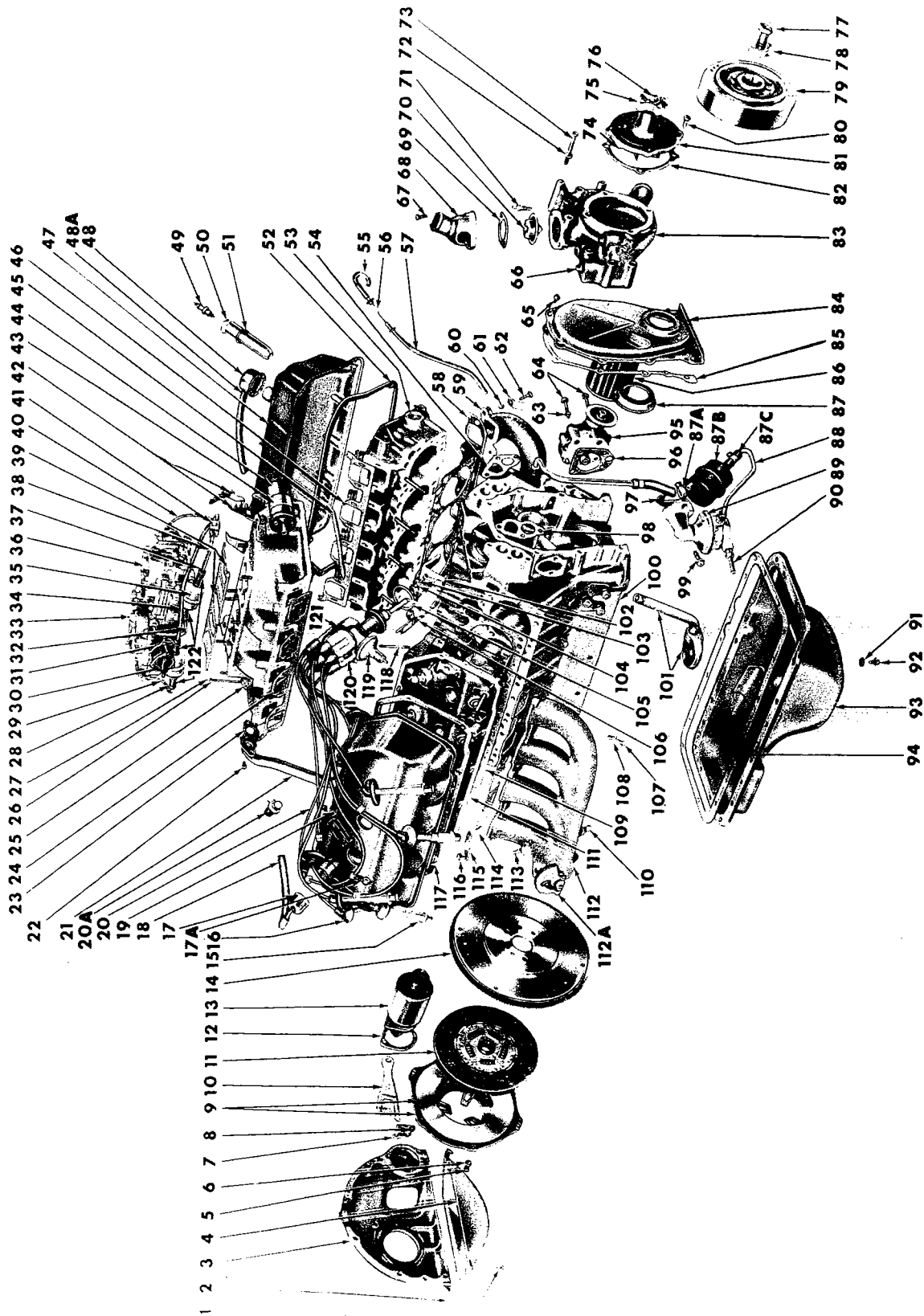
INTERNAL ENGINE - 383 AND 440 ENGINES



**PARTS INDICATED
BY NAME ONLY - ORDER
BY DESCRIPTION**

19a0651

INTERNAL ENGINE - 426 8 CYLINDER ENGINE



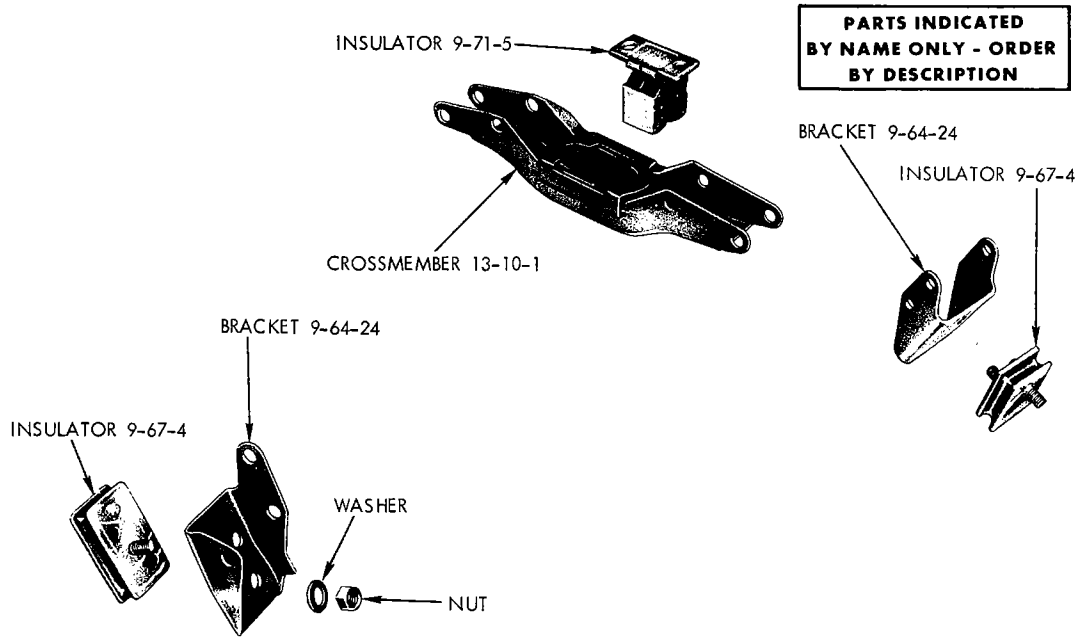
19a12549

EXTERNAL ENGINE - 426 8 CYLINDER ENGINE

EXTERNAL ENGINE - 426 8 CYLINDER ENGINE

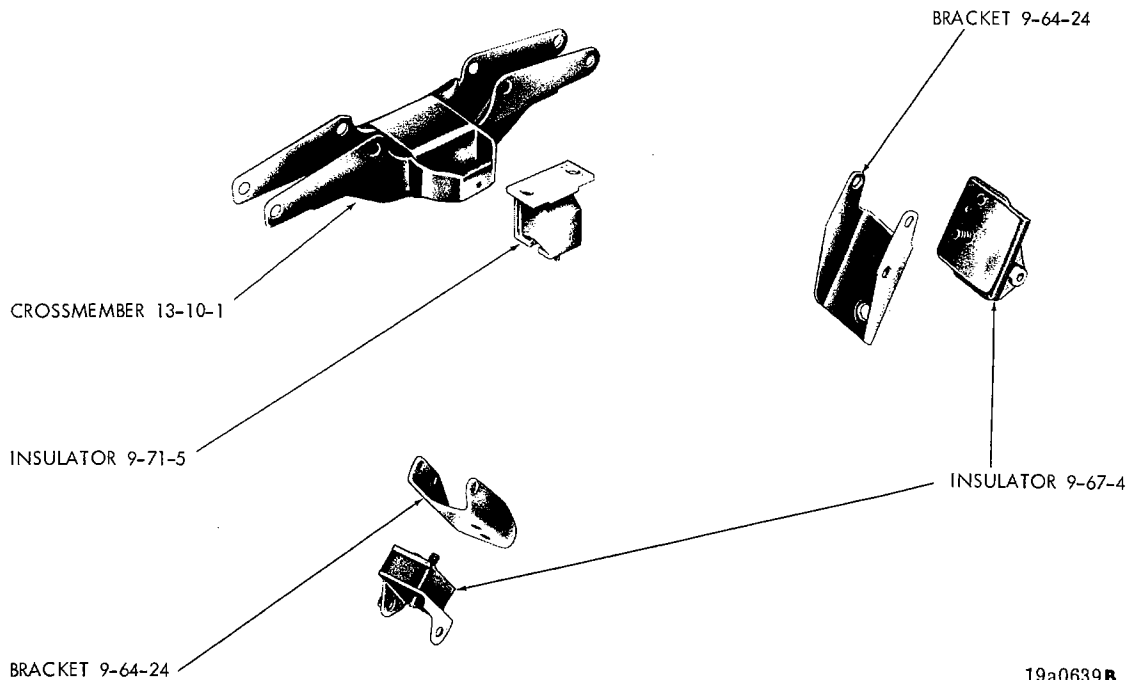
Ref. No.	Name	Part Type Code	Ref. No.	Name	Part Type Code
1	Bolt		63	Washer	
2	Bolt		64	Bolt	
3	Housing	6-09-1	65	Screw, w/Washer	
4	Pan	6-10-2	66	Plug	
5	Bolt		67	Screw	
6	Washer		68	Connector	9-05-5
7	Pivot	6-22-15	69	Gasket	9-05-6
8	Bolt		70	Thermostat	7-41-4
9	Cover and Plate	6-14-1	71	Sending Unit	8-37-155
10	Fork	6-22-1	72	Washer	
11	Disc	6-13-1	73	Bolt	
12	Seal	8-52-39	74	Impeller	7-45-31
13	Starter	8-52-4	75	Hub	7-05-1
14	Flywheel	9-45-1	76	Shaft and Bearing (Serviced in 7-42-4)	
15	Nipple	8-36-96	77	Screw	9-07-8
16	Grommet	8-36-92	78	Washer	9-07-22
17	Cap	10-02-66	79	Damper	9-13-5
17A	Grommet	8-36-92	80	Bolt	
18	Hose	10-02-53	81	Body (Serviced in 7-42-1)	
19	Cover	9-03-28	82	Gasket	7-44-3
20	Cable Set	8-36-1	83	Housing	7-43-1
20A	Valve	8-27-335	84	Cover	9-23-5
21	Tube	9-48-26	85	Gasket	9-23-17
22	Screw, w/Washer		86	Filter	10-26-6
23	Gasket	9-50-18	87	Oil Seal	9-23-18
24	Gasket	9-50-1	87A	Clamp	
25	Manifold	9-48-7	87B	Filter	14-67-1
26	Washer		87C	Hose	14-67-2
27	Bolt		88	Tube	14-89-2
28	Tube	14-89-2	89	Pump	14-73-1
29	Elbow		90	Stem	14-89-58
30	Choke	14-39-45	91	Gasket	10-24-38
31	Gasket	14-30-2	92	Plug	10-24-37
32	Tube	14-89-2	93	Pan	10-24-4
33	Carburetor	14-30-1	94	Gasket	10-24-8
34	Fitting		94A	Hose	14-67-2
35	Stud		95	Pump	10-07-6
36	Carburetor	14-30-1	96	Gasket	10-07-8
37	Gasket	14-30-2	97	Gasket	14-74-1
38	Tube	14-89-2	98	Gasket	7-44-4
39	Bracket	14-06-10	99	Bolt	
40	Spring	14-06-01	100	Block (Serviced in 9-01-24)	
41	Tee	14-85-31	101	Strainer w/Pipe	10-23-7
42	Bracket	8-36-4	102	Clamp	8-27-26
43	Bracket	8-35-41	103	Screw	
44	Coil	8-35-4	104	Washer	
45	Gasket	9-50-1	105	Gasket	8-27-4
46	Gasket	9-50-1	106	Gasket	9-03-5
47	Cover	9-03-28	107	Bolt	
48	Air Cleaner	10-01-21	108	Washer	9-48-45
48A	Hose	10-01-62	109	Gasket	9-03-5
49	Plug	8-36-114	110	Connector	
50	Tube	8-36-136	111	Head	9-03-4
51	Seal	8-36-137	112	Manifold	9-48-6
51A	Spring	9-39-15	112A	Counterweight	9-58-12
52	Gasket	9-03-29	113	Tube	9-48-126
53	Head	9-03-4	114	Gasket	9-50-5
54	Gasket	7-44-4	115	Gasket	9-50-18
55	Insulator	10-03-14	116	Bolt	
56	Indicator	10-03-4	117	Gasket	9-03-29
57	Tube	10-03-7	118	Stud	
58	Gasket	9-50-5	119	Control	8-27-308
59	Manifold	9-48-6	120	Distributor	8-27-1
60	Washer	9-48-45	121	Tube	8-27-320
60A	Tube	14-89-2	122	Hose	14-67-2
61	Clip	9-48-140			
62	Bolt				

PARTS INDICATED BY NAME ONLY - ORDER BY DESCRIPTION



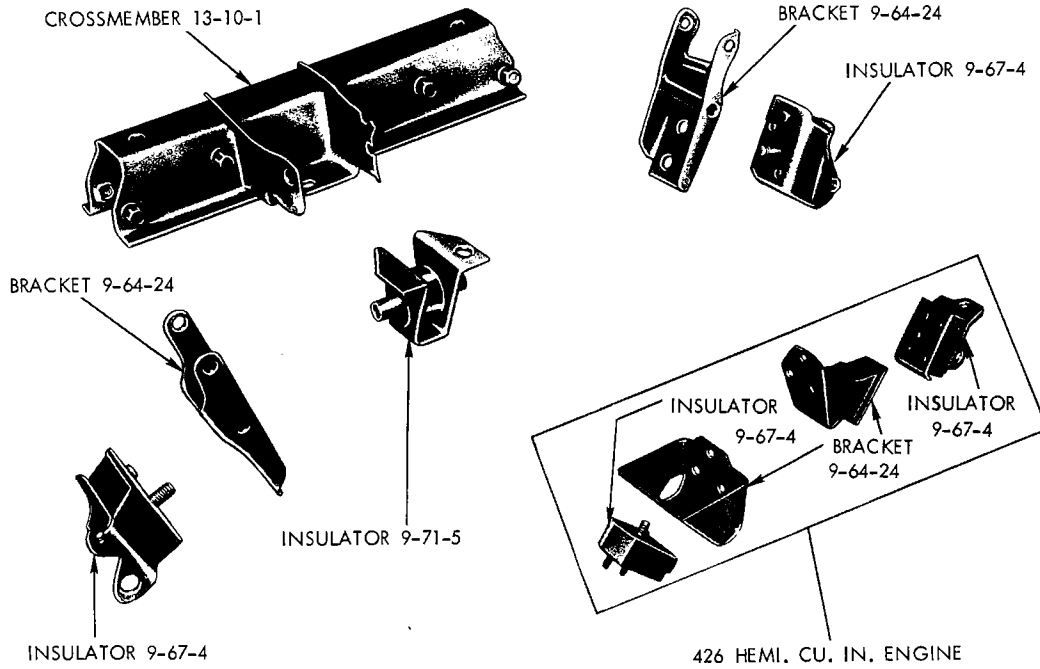
19a0797A

ENGINE MOUNTINGS - VALIANT, BARRACUDA AND DART (8 CYLINDER ENGINES)



19a0639B

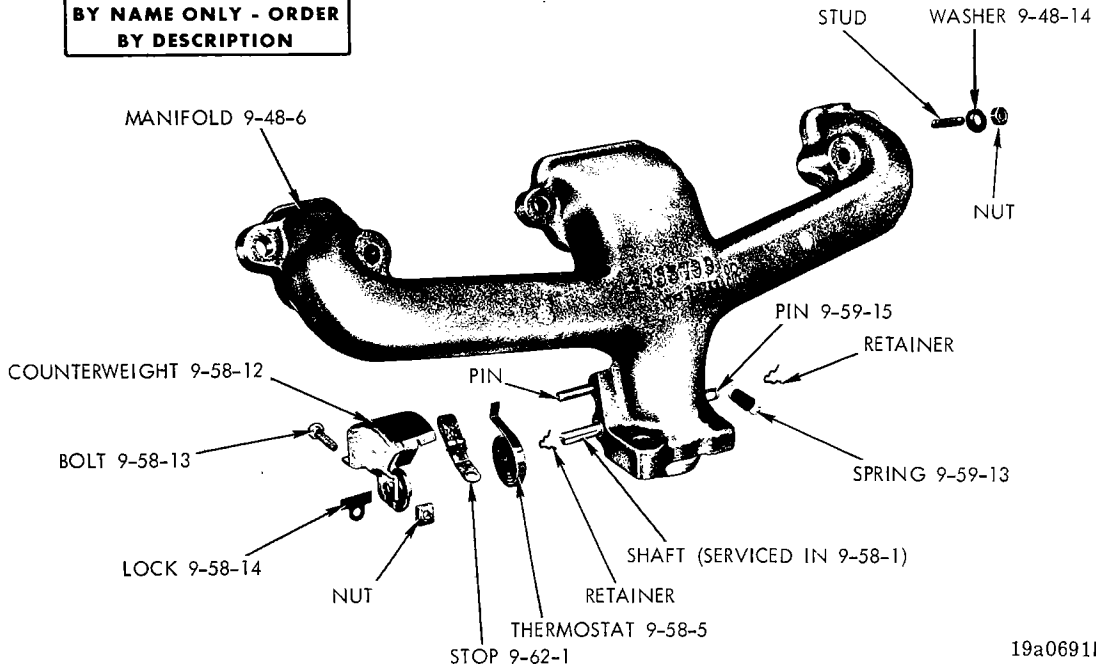
ENGINE MOUNTINGS - BELVEDERE AND CORONET (273 AND 318 8 CYLINDER ENGINES)



ENGINE MOUNTINGS (8 CYLINDER) -
383, 440 AND 426 ENGINES

NOTES

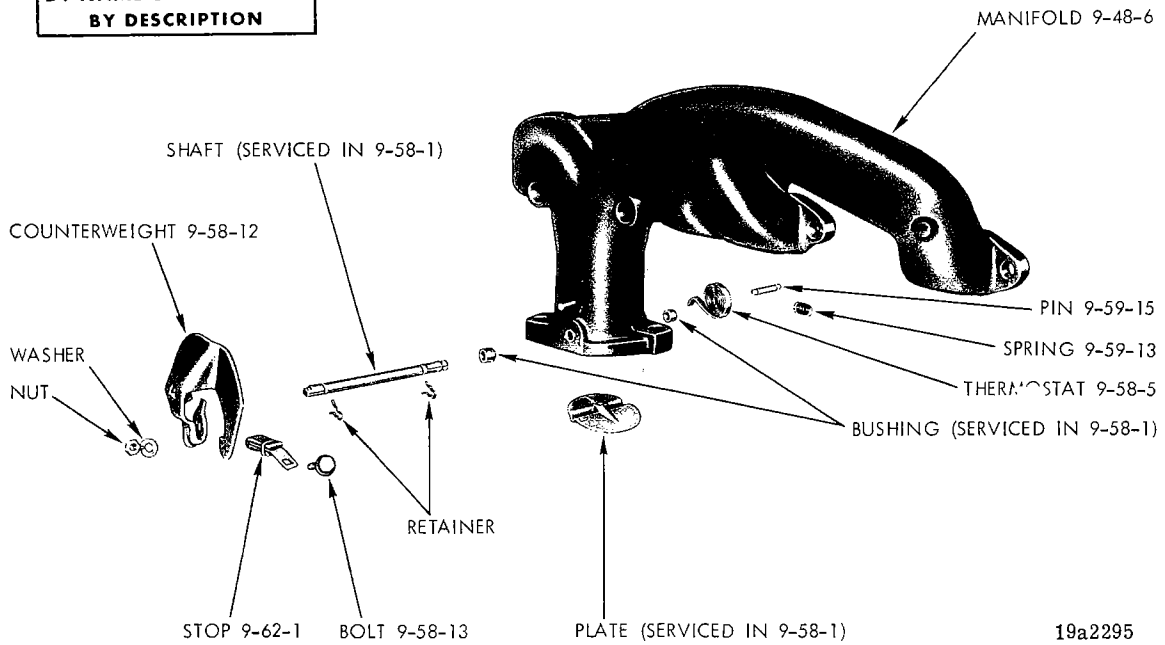
**PARTS INDICATED
BY NAME ONLY - ORDER
BY DESCRIPTION**



19a0691B

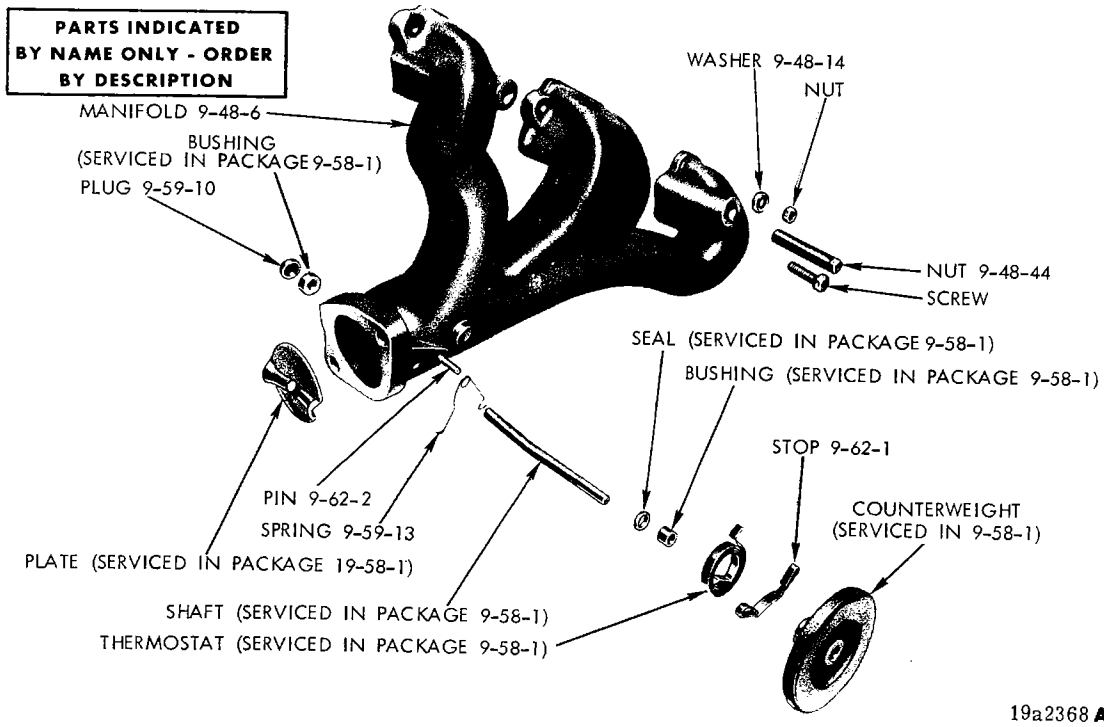
ENGINE MANIFOLD AND HEAT CONTROL - 273 AND 318 8 CYLINDER ENGINES

**PARTS INDICATED
BY NAME ONLY - ORDER
BY DESCRIPTION**

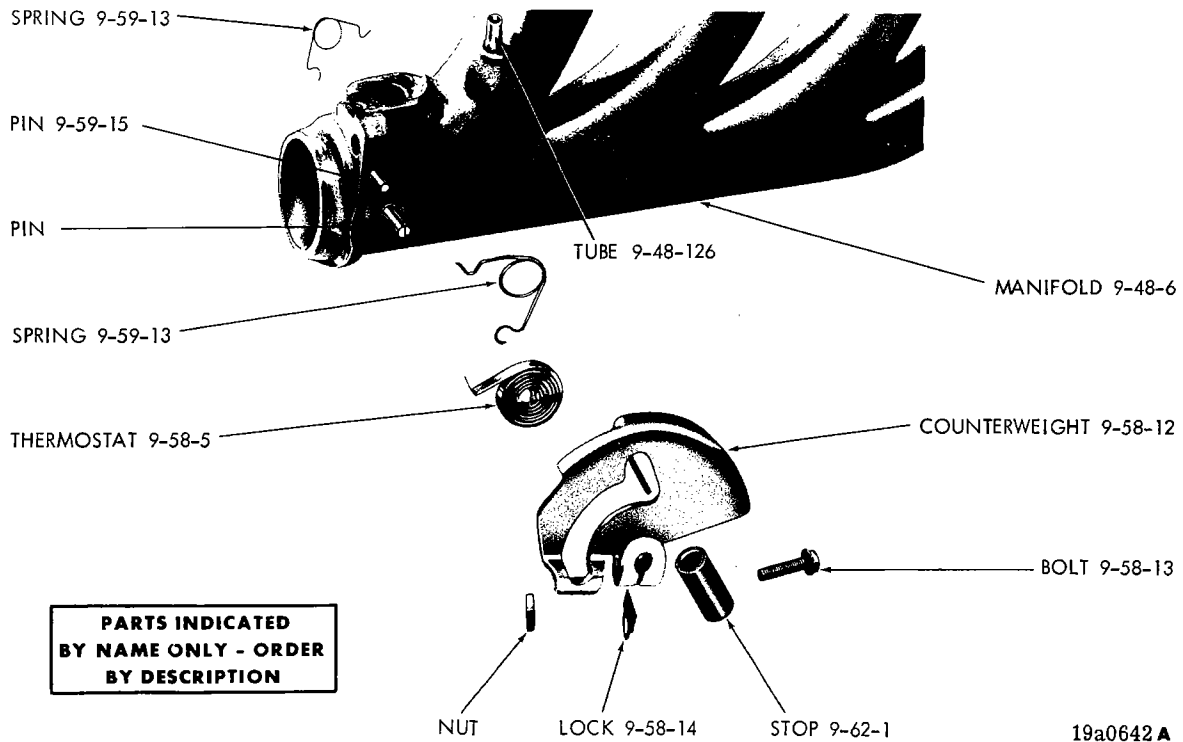


19a2295

EXHAUST MANIFOLD AND HEAT CONTROLS - 383 AND 440 8 CYLINDER ENGINES



EXHAUST MANIFOLD (8 CYLINDER) - DART AND BARRACUDA (340 ENGINE)



ENGINE EXHAUST MANIFOLD WITH HEAT CONTROLS - 426 8 CYLINDER ENGINE

NOTE: The following symbols are used in connection with engine numbers:

ENGINE numbers without symbols indicate "Standard Cylinders and Crankshaft Bearings". The Letter "A" immediately following the engine number indicates Bore .020" (.508 MM.) Larger than Standard.

The Letter "B" immediately following the engine identification number indicates Main and Connecting Rod Bearings .010" (.245 MM.) Smaller than Standard.

The Letters "AB" immediately following the engine identification number indicates Cylinder Bore .020" (.508 MM.) Larger than Standard, Main and Connecting Rod Bearings .010" (.254 MM.) Smaller than Standard.

The Letters in the circular pads at either end of the engine number are for the use of factory inspectors only and should not be connected with the engine number. Always mention Serial Numbers when ordering major assemblies.

CODE	PART NAME AND DESCRIPTION	PER CAR	CU. IN. DISPLACEMENT & PISTON BORE SIZE					
			273	318	340	383	426	440
			3.62	3.91	4.04	4.25	4.26	4.32

EIGHT CYLINDER ENGINES

9-01-0 ENGINE ASSEMBLY

9-01-5	GASKET SET, Engine, V, L	1	3420 032	_____	_____	_____	_____	_____	_____
	V, B, L	1	_____	2808 351	_____	_____	_____	_____	_____
	R, W, P, D	1	_____	2808 480	_____	_____	_____	_____	_____
	B, L	1	_____	_____	3004 725	_____	_____	_____	_____
						3420 231	3004 615	2808 482	

NOTE: Short Engine Assemblies Consist of: The Cylinder Block with Pistons and Rings, Crankshaft and Bearings, Connecting Rods and Bearings.

9-01-24	SHORT ENGINE, w/Std. Compression, V2, L2	1	2951 513	_____	_____	_____	_____	_____	_____
	w/Low Compression, V2, L2	1	2951 515	_____	_____	_____	_____	_____	_____
	w/Std. Compression, V2, L2, B2, R2, W2, P2, D2	1	_____	2951 517	_____	_____	_____	_____	_____
	w/Low Compression, V2, L2, B2, R2, W2, P2, D2	1	_____	2951 519	_____	_____	_____	_____	_____
	B2, L2	1	_____	_____	2951 521	_____	_____	_____	_____
	w/Std. Compression, w/2 bbl. Carb., R2, W2, P2, D2, C	1	_____	_____	_____	2951 524	_____	_____	_____
	w/Low Compression, w/2 bbl. Carb., P2, D2, C	1	_____	_____	_____	2951 526	_____	_____	_____
	w/4 bbl. Carb., B2, L2, R2, W2, P2, D2, C	1	_____	_____	_____	2951 528	_____	_____	_____
	w/Std. Compression, R2, W2	1	_____	_____	_____	_____	2951 623	_____	_____
	w/Std. Compression, Except 3-2 bbl. Carb., R2, W2, P2, D2, C, Y	1	_____	_____	_____	_____	_____	_____	2951 530
	w/Low Compression, Except 3-2 bbl. Carb., C, Y	1	_____	_____	_____	_____	_____	_____	2951 532
	w/3-2 bbl. Carb.' R, W	1	_____	_____	_____	_____	_____	_____	# 3512 621
	SHORT ENGINE, w/Std. Compression Canada	1	_____	2651 662	_____	_____	_____	_____	_____
	w/Low Compression Canada	1	_____	2651 663	_____	_____	_____	_____	_____
	Canada	1	_____	_____	2651 723	_____	_____	_____	_____

9-02-0 CYLINDER BLOCK

9-02-5	BLOCK and PISTONS								
	Canada	1	_____	2651 742	_____	_____	_____	_____	_____
	Canada	1	_____	_____	2651 741	_____	_____	_____	_____
9-02-7	DOWEL, Cylinder Block to Clutch Housing or Torque Converter Housing	2	1122 532	1122 532	1122 532	1122 532	1122 532	1122 532	1122 532

TYPE LETTERS Indicates V - Valiant R - Belvedere P - Plymouth C - Chrysler
B - Barracuda L - Dart W - Coronet D - Dodge Y - Imperial

AR Indicates use as required.

Indicates parts not listed in any previous parts book.

Numerals in parentheses () refer to notes.

* Indicates change or addition.

Printed in U.S.A.
January 1971

1969 PASSENGER CAR PARTS CATALOG

ENGINE

CODE	PART NAME AND DESCRIPTION	PER CAR	CU. IN. DISPLACEMENT & PISTON BORE SIZE					
			273	318	340	383	426	440
			3.62	3.91	4.04	4.25	4.26	4.32

EIGHT CYLINDER ENGINES

9-02-0 CYLINDER BLOCK Cont'd.								
9-02-7	DOWEL Cont'd.							
	Eccentric, .007" Over Center	AR	1736 347	1736 347	1736 347	1736 347	1736 347	
	Eccentric, .014" Over Center	AR	1736 348	1736 348	1736 348	1736 348	1736 348	
	Eccentric, .021" Over Center	AR	1736 353	1736 353	1736 353	1736 353	1736 353	
9-02-16	PLUG, Cylinder Block Core							
	Hole, 1.635"	AR	2406 356	2406 356	2406 356	2406 356	2406 356	
	1.695"	AR	2406 575	2406 575	2406 575	2406 575	2406 575	
	1.2585"	1	2406 387	2406 387	2406 387	-----	-----	
9-02-17	PLUG, Cylinder Block Oil Line	1	1324 464	1324 464	1324 464	-----	-----	
9-02-50	HEATER PKGE., Eng. Jacket							
	Heater Canada	AR	2649 524	2649 524	2649 524	2649 524	2649 524	
	HEATER ASSY., Eng. Jacket Canada	2	2863 477	2863 477	2863 477	2863 477	2863 477	
	Seal, "O" Ring	AR	2067 785	2067 785	2067 785	2067 785	2067 785	
	.06" Oversize	AR	6027 513	6027 513	6027 513	6027 513	6027 513	
9-02-62	CORD ASSY., Eng. Jacket							
	Heater Canada	2	2649 519	2649 519	2649 519	2649 519	2649 519	
	EXTENSION CORD ASSY.,							
	3 Wire Canada	1	2649 517	2649 517	2649 517	2649 517	2649 517	
	2 Wire Canada	1	1511 389	1511 389	1511 389	1511 389	1511 389	
9-03-0 CYLINDER HEAD								
9-03-4	HEAD, Cylinder	2	2843 674	2843 674	2531 902	2843 904	2780 557	2843 904
9-03-5	GASKET, cylinder head	2	2806 984	3418 376	2863 493	2863 188	2468 010	2536 724
9-03-10	BOLT, Cylinder Head,							
	1/2 x 1 7/8"	10	2463 258	2463 258	2463 258	-----	-----	-----
	1/2" x 3 5/8"	8	2463 259	-----	-----	-----	-----	-----
	1/2" x 4 5/8"	2	2463 260	2463 260	2463 260	-----	-----	-----
	7/16" x 1 27/32"	24	-----	-----	-----	1739 605	-----	1739 605
	7/16" x 3 7/8"	10	-----	-----	-----	1739 606	-----	1739 606
	7/16" x 4 5/8"	16	-----	-----	-----	-----	1851 613	-----
	7/16" x 6 1/8"	10	-----	-----	-----	-----	6026 798	-----
	STUD, Cylinder Head	8	-----	-----	-----	-----	6026 794	-----
	WASHER, Stud	8	-----	-----	-----	-----	6026 141	-----
	WASHER, Bolt	16	-----	-----	-----	-----	6026 140	-----
	WASHER, Bolt	10	-----	-----	-----	-----	6026 141	-----
9-03-11	NUT, Cylinder Head Stud	8	-----	-----	-----	-----	2658 882	-----
9-03-18	PLUG, Cylinder Head Core							
	Hole, 1.2605"	4	2406 387	2406 387	2406 387	2406 387	2406 387	2406 387
	PLUG, Cylinder Head Core							
	Hole Cup, 1.3280"	AR	-----	-----	-----	2463 042	2463 042	2463 042
	1.012"	AR	-----	-----	-----	2806 018	2806 018	2806 018
9-03-28	COVER, Cylinder Head, Right	1	2946 450	2946 450	2946 466	-----	2806 659	-----
	Left	1	2946 451	2946 451	2946 451	2806 661	-----	-----
	Right, B2, L2	1	-----	-----	-----	2946 463	-----	-----
	Left, B2, L2	1	-----	-----	-----	2899 045	-----	-----
	Left, R2, W2	1	-----	-----	-----	2899 052	-----	2899 052
	Right, R2, W2, P2,							
	D2, C1	1	-----	-----	-----	-----	-----	2946 464
	Right, R2, W2,							
	P2, D2, C	1	-----	-----	-----	-----	-----	2946 464
	Left, P2, D2, C,Y	1	-----	-----	-----	2899 016	-----	2899 016
	STUD	4	-----	-----	-----	6024 845	-----	6024 845
	NUT, W/WASHER	AR	-----	-----	-----	6022 582	6022 582	6022 582
9-03-29	GASKET, Cylinder Head Cover	2	2463 290	2463 290	2463 290	2658 646	2780 566	2658 646

TYPE LETTERS Indicates

B - Barracuda

V - Valiant
L - Dart

R - Belvedere
W - Coronet

P - Plymouth
D - Dodge

C - Chrysler
Y - Imperial

AR Indicates use as required.

Indicates parts not listed in any previous parts book.

Numerals in parentheses () refer to notes.

★ Indicates change or addition.

Printed in U.S.A.

January 1971

CODE	PART NAME AND DESCRIPTION	PER CAR	CU. IN. DISPLACEMENT & PISTON BORE SIZE					
			273	318	340	383	426	440
			3.62	3.91	4.04	4.25	4.26	4.32

EIGHT CYLINDER ENGINES

9-05-0 CYLINDER HEAD WATER OUTLET ELBOW OR CONNECTOR

9-05-5	CONNECTOR, Cylinder Water Outlet	1	2780 970	2780 970	2780 970	2780 970	2780 970	2780 970
9-05-6	GASKET, Cylinder Water Outlet Connector	1	500 82	500 82	500 82	500 82	500 82	500 82

9-07-0 CRANKSHAFT

9-07-5	CRANKSHAFT	1	#2843 699	#2843 699	2843 868	2268 114	2780 533	_____
	Except 3-2 bbl. Carb.	1	_____	_____	_____	_____	_____	2536 983
	w/3-2 bbl. Carb.	1	_____	_____	_____	_____	_____	#3512 036
9-07-8	SCREW, Crankshaft	1	1821 414	1821 414	1821 414	1731 525	1821 414	1731 525
9-07-12	BUSHING, Crankshaft Trans. Drive Pinion Pilot	1	53 298	53 298	53 298	53 298	53 298	53 298
9-07-17	OIL SLINGER, Crankshaft	1	2899 530	2899 530	2899 530	2899 530	2899 530	2899 530
9-07-22	WASHER, Crankshaft Screw	1	1855 561	1855 561	1855 561	1855 561	2463 649	1855 561

9-08-0 CRANKSHAFT SPROCKET

9-08-5	SPROCKET, Crankshaft	1	2463 385	2463 385	1637 657	2532 491	2205 568	2532 491
	KEY	1	152 191	152 191	152 191	152 191	152 191	152 191

9-09-0 CRANKSHAFT BEARING PACKAGE

NOTE: When .001 thicker wall Crankshaft Main Bearings are used for Engines in production, a Maltese Cross is stamped on the model pad of the Cylinder Block.

NOTE: Crankshaft Bearing Packages consists of one upper and one lower Bearing.

9-09-2	BEARING PACKAGE, Nos. 1, 2 and 4, Std.	3	2084 005	2084 005	3004 665	_____	_____	_____
	.001 U/S.	3	2084 006	2084 006	3004 666	_____	_____	_____
	.002 U/S.	3	2084 007	2084 007	3004 667	_____	_____	_____
	.003 U/S.	3	2275 387	2275 387	3004 668	_____	_____	_____
	.010 U/S.	3	2084 008	2084 008	3004 669	_____	_____	_____
	.012 U/S.	3	2275 388	2275 388	3004 670	_____	_____	_____
	BEARING PACKAGE, No. 1 Std.	1	_____	_____	_____	2084 810	2448 379	2084 814
	.001 U/S.	1	_____	_____	_____	2084 811	2808 235	2084 815
	.002 U/S.	1	_____	_____	_____	2084 812	2808 236	2084 816
	.003 U/S.	1	_____	_____	_____	2275 391	2808 237	2275 395
	.010 U/S.	1	_____	_____	_____	2084 813	2808 238	2084 817
	.011 U/S.	1	_____	_____	_____	_____	2808 343	_____
	.012 U/S.	1	_____	_____	_____	2275 392	2808 239	2275 396
	BEARING PACKAGE, Nos. 2, 4 and 5 std.	3	_____	_____	_____	2084 833	2448 380	2084 829
	.001 U/S.	3	_____	_____	_____	2084 834	2808 240	2084 830
	.002 U/S.	3	_____	_____	_____	2084 835	2808 241	2084 831
	.003 U/S.	3	_____	_____	_____	2275 393	2808 242	2275 397
	.010 U/S.	3	_____	_____	_____	2084 836	2808 243	2084 832
	.011 U/S.	3	_____	_____	_____	_____	2808 344	_____
	.012 U/S.	3	_____	_____	_____	2275 394	2808 244	2275 398
	BEARING PACKAGE, No. 3 Std.	1	1879 627	1879 627	3004 894	1818 524	2448 381	3004 944
	.001 U/S.	1	1879 628	1879 628	3004 895	1818 525	2808 245	3004 945
	.002 U/S.	1	1879 629	1879 629	3004 896	1818 526	2808 246	3004 946
	.003 U/S.	1	2275 389	2275 389	3004 897	1818 527	2808 247	3004 947
	.010 U/S.	1	1879 630	1879 630	3004 898	1818 528	2808 248	3004 948
	.011 U/S.	1	_____	_____	_____	_____	2808 345	_____
	.012 U/S.	1	2275 390	2275 390	3004 899	1818 529	2808 249	3004 949

TYPE LETTERS Indicates B - Barracuda V - Valiant R - Belvedere P - Plymouth C - Chrysler
L - Dart W - Coronet D - Dodge Y - Imperial

AR Indicates use as required. Numerals in parentheses () refer to notes. Printed in U.S.A.
Indicates parts not listed in any previous parts book. ★ Indicates change or addition. January 1971

1969 PASSENGER CAR PARTS CATALOG

ENGINE

CODE	PART NAME AND DESCRIPTION	PER CAR	CU. IN. DISPLACEMENT & PISTON BORE SIZE					
			273	318	340	383	426	440
			3.62	3.91	4.04	4.25	4.26	4.32

EIGHT CYLINDER ENGINES

9-09-0 CRANKSHAFT BEARING PACKAGE Cont'd.

Code	Description	Per Car	273	318	340	383	426	440
9-09-2	BEARING Cont'd. BEARING PACKAGE, No. 5							
	Std.	1	1643 151	1643 151	1643 151	-----	-----	-----
	.001 U/S.	1	1643 152	1643 152	1643 152	-----	-----	-----
	.002 U/S.	1	1643 153	1643 153	1643 153	-----	-----	-----
	.003 U/S.	1	1643 154	1643 154	1643 154	-----	-----	-----
	.010 U/S.	1	1643 155	1643 155	1643 155	-----	-----	-----
	.012 U/S.	1	1643 156	1643 156	1643 156	-----	-----	-----

9-10-0 CRANKSHAFT BEARING CAP

Code	Description	Per Car	273	318	340	383	426	440
9-10-2	OIL SEAL PACKAGE, Crankshaft Bearing No. 5							
	Cap	1	1326 091	1326 091	1326 091	-----	-----	-----
9-10-5	CAP, Crankshaft Bearing, Nos. 1, 2 and 4	3	1632 519	1632 519	2863 854	2206 315	-----	1852 910
	No. 3	1	2463 582	2463 582	2863 855	1852 915	-----	1852 911
	No. 5	1	2275 446	2275 446	3004 639	2206 315	-----	2206 316
9-10-19	SCREW, Crankshaft Bearing							
	Cap	10	1618 695	1618 695	-----	1408 867	-----	1408 867
	Cap Nos. 1, 3, 5	6	-----	-----	6027 264	-----	-----	-----
	Cap Nos. 2, 4	4	-----	-----	6027 335	-----	-----	-----
		6	-----	-----	-----	-----	9423 811	-----
		4	-----	-----	-----	-----	9413 313	-----
	Cap, Side	4	-----	-----	-----	-----	9420 892	-----
9-10-26	WASHER, Crankshaft Bearing							
	Cap Bolt	10	-----	-----	-----	-----	2468 135	-----
		6	-----	-----	-----	-----	1536 242	-----

9-11-0 CRANKSHAFT REAR BEARING OIL SEAL

Code	Description	Per Car	273	318	340	383	426	440
9-11-1	OIL SEAL PACKAGE	1	1326 093	1326 093	1326 093	2275 365	2275 365	2275 365
9-11-7	RETAINER, Crankshaft Bearing Oil Seal	1	-----	-----	-----	1945 473	1945 473	1945 473

9-13-0 CRANKSHAFT VIBRATION DAMPER

Code	Description	Per Car	273	318	340	383	426	440
9-13-5	DAMPER	1	2658 458	2658 458	2658 458	2658 457	2658 871	2658 457

9-15-0 CAMSHAFT

Code	Description	Per Car	273	318	340	383	426	440
9-15-1	CAMSHAFT	1	2899 144	2899 144	2899 206	-----	2899 534	-----
	w/2 bbl. Carb.	1	-----	-----	-----	2532 190	-----	-----
	w/4 bbl. Carb. w/.05" Raised Ring located next to Gear	1	-----	-----	-----	2532 190	-----	-----
	w/4 bbl. Carb., w/o .05" Raised Ring located next to Gear	1	-----	-----	-----	2843 564	-----	-----
	w/4 bbl. Carb., w/o. H/Perf.	1	-----	-----	-----	-----	-----	2532 190
	w/4 bbl. Carb., w/H/Perf.	1	-----	-----	-----	-----	-----	2843 564
	w/3-2 bbl. Carbs.	1	-----	-----	-----	-----	-----	# 3462 038
9-15-2	ECCENTRIC, Camshaft	1	2843 661	2843 661	2843 661	-----	-----	-----
9-15-6	PLATE, Camshaft Sprocket Thrust	1	1946 992	1946 992	1946 992	-----	-----	-----
	Screw, 1/8 thru-hole	1	6028 098	6028 098	6028 098	-----	-----	-----
9-15-10	WASHER, Camshaft Sprocket Retaining Screw	1	1618 732	1618 732	1618 732	6023 053	-----	6023 053

TYPE LETTERS Indicates

B - Barracuda

V - Valiant
L - Dart

R - Belvedere
W - Coronet

P - Plymouth
D - Dodge

C - Chrysler
Y - Imperial

AR Indicates use as required.

Indicates parts not listed in any previous parts book.

Numerals in parentheses () refer to notes.

★ Indicates change or addition.

Printed in U.S.A.
January 1971

CODE	PART NAME AND DESCRIPTION	PER CAR	CU. IN. DISPLACEMENT & PISTON BORE SIZE					
			273	318	340	383	426	440
			3.62	3.91	4.04	4.25	4.26	4.32

EIGHT CYLINDER ENGINES

9-16-0 CAMSHAFT BEARING								
9-16-6	BEARING, Camshaft, No. 1	1	1632 522	1632 522	1632 522	1821 771	2946 486	1821 771
	No. 2	1	1632 523	1632 523	1632 523	1821 772	2946 487	1821 772
	No. 3	1	1632 524	1632 524	1632 524	1821 773	2946 488	1821 773
	No. 4	1	1632 525	1632 525	1632 525	1821 774	2946 489	1821 774
	No. 5	1	1632 526	1632 526	1632 526	1821 775	2946 490	1821 775
9-16-17	PLUG, Cylinder Block Camshaft Rear Bearing Oversize	1 AR	1821 722	1821 722	1821 722	2402 905 2463 041	2402 905 2463 041	2402 905 2463 041
9-17-0 CAMSHAFT SPROCKET								
9-17-5	SPROCKET, Camshaft	1	2843 610	2843 610	2899 556	2532 490	2780 572	2532 490
9-17-9	BOLT, Camshaft Sprocket Retaining	3	-----	-----	-----	-----	2120 930	-----
9-20-0 TIMING CHAIN								
9-20-1	CHAIN	1	2463 384	2463 384	1327 319	2532 492	2205 569	2532 492
9-23-0 CHAIN CASE COVER								
9-23-5	COVER	1	2946 796	2946 796	2946 796	2658 454	2658 454	2658 454
9-23-10	BOLT, Chain Case Cover, Canada Built	2	-----	-----	-----	2121 588	2121 588	2121 588
9-23-17	GASKET, Chain Case Cover	1	2129 012	2129 012	2129 012	2264 794	2264 794	2264 794
9-23-18	OIL SEAL, Chain Case Cover	1	2899 532	2899 532	2899 532	2536 481	2536 481	2536 481
9-31-0 CONNECTING ROD								
NOTE: Connecting Rod includes Bearing Cap, Bolt, Nut, Lockwasher and Bushing, but does not include Bearing.								
9-31-4	ROD, connecting Except 3-2 bbl. Carbs. w/3-2 bbl. Carb's.	8 8 8	2406 785	2406 785	2899 495	2406 766	2780 531	----- 2406 770 # 3462 426
9-31-5	BOLT, Connecting Rod Bearing Cap	16	1944 865	1944 865	1944 865	1737 694	2468 005	1737 694
9-31-7	NUT, Connecting Rod Bearing Cap Bolt	16	1737 695	1737 695	1737 695	1737 695	2468 006	1737 695
9-31-10	BUSHING, Connecting Rod	8	1618 701	1618 701	1618 701	-----	-----	-----
9-32-0 CONNECTING ROD BEARING PACKAGES								
NOTE: When .001 thicker wall Connecting Rod Bearings are used for Engines in Production, a Maltese Cross is stamped on the model Pad of the Cylinder Block.								
NOTE: Connecting Rod Bearing Packages consists of one upper and one lower Bearing.								
9-32-2	BEARING PACKAGE, Std.	8	1879 617	1879 617	2421 305	-----	2525 484	-----
	.001 U/S.	8	1879 618	1879 618	2421 306	-----	2808 219	-----
	.002 U/S.	8	1879 619	1870 618	2421 307	-----	2808 220	-----
	.003 U/S.	8	1879 620	1879 620	2421 308	-----	2808 221	-----
	.010 U/S.	8	1879 621	1879 621	2421 309	-----	2808 222	-----
	.011 U/S.	8	-----	-----	-----	-----	2808 342	-----
	.012 U/S.	8	1879 622	1879 622	2421 310	-----	2808 223	-----
	w/2 bbl. Carb., Std.	8	-----	-----	-----	1818 698	-----	-----
	.001 U/S.	8	-----	-----	-----	1818 699	-----	-----
	.002 U/S.	8	-----	-----	-----	1818 700	-----	-----
	.003 U/S.	8	-----	-----	-----	1818 701	-----	-----
	.010 U/S.	8	-----	-----	-----	1818 702	-----	-----
	.012 U/S.	8	-----	-----	-----	1818 703	-----	-----
	w/4 bbl. Carb., Std.	8	-----	-----	-----	1881 794	-----	1881 794

TYPE LETTERS Indicates B - Barracuda V - Valiant R - Belvedere P - Plymouth C - Chrysler
L - Dart W - Coronet D - Dodge Y - Imperial

AR Indicates use as required. Numerals in parentheses () refer to notes. Printed in U.S.A.
Indicates parts not listed in any previous parts book. ★ Indicates change or addition. January 1971

1969 PASSENGER CAR PARTS CATALOG

ENGINE

CODE	PART NAME AND DESCRIPTION	PER CAR	CU. IN. DISPLACEMENT & PISTON BORE SIZE					
			273	318	340	383	426	440
			3.62	3.91	4.04	4.25	4.26	4.32

EIGHT CYLINDER ENGINES

9-32-0 CONNECTING ROD BEARING PACKAGES Cont'd.

9-32-2	BEARING Cont'd.							
	.001 U/S.	8	-----	-----	-----	1881 795	-----	1881 795
	.002 U/S.	8	-----	-----	-----	1881 796	1881 796	-----
	.003 U/S.	8	-----	-----	-----	2275 413	-----	2275 413
	.010 U/S.	8	-----	-----	-----	1881 797	-----	1881 797
	.012 U/S.	8	-----	-----	-----	2275 414	-----	2275 414

9-34-0 PISTON, W/PIN

NOTE: The following Pistons include Pins and Pin Retaining Rings.

9-34-5	PISTON, Std.	8	3004 502	3004 509	-----	-----	-----	3004 535
	.005 O/S.	8	3004 503	3004 510	-----	-----	-----	3004 536
	.020 O/S.	8	3004 504	3004 511	-----	-----	-----	3004 537
	.040 O/S.	8	3004 505	3004 512	-----	-----	-----	3004 538
	PISTON, Nos. 1, 3, 5 and 7, Std.	4	-----	-----	3004 516	-----	2808 227	-----
	.005 O/S.	4	-----	-----	3004 518	-----	2808 229	-----
	.020 O/S.	4	-----	-----	3004 520	-----	2808 231	-----
	.040 O/S.	4	-----	-----	3004 522	-----	2808 233	-----
	PISTON, Nos. 2, 4, 6 and 8, Std.	4	-----	-----	3004 517	-----	2808 228	-----
	.005 O/S.	4	-----	-----	3004 519	2808 230	-----	-----
	.020 O/S.	4	-----	-----	3004 521	-----	2808 232	-----
	.040 O/S.	4	-----	-----	3004 523	-----	2808 234	-----
9-34-5	PISTON, w/2 bbl. Carb., Std.	8	-----	-----	-----	3004 524	-----	-----
	.005 O/S	8	-----	-----	-----	3004 525	-----	-----
	.020 O/S	8	-----	-----	-----	3004 526	-----	-----
	.040 O/S	8	-----	-----	-----	3004 527	-----	-----
	PISTON, w/4 bbl. Carb., Std.	8	-----	-----	-----	3004 531	-----	-----
	.005 O/S	8	-----	-----	-----	3004 532	-----	-----
	.020 O/S	8	-----	-----	-----	3004 533	-----	-----
	.040 O/S	8	-----	-----	-----	3004 534	-----	-----
	PISTON, L.C. Export, Std.	8	3004 506	3004 513	-----	3004 528	-----	3004 539
	.005 O/S.	8	3004 507	3004 514	-----	3004 529	-----	3004 540
	.020 O/S.	8	3004 508	3004 515	-----	3004 530	-----	3004 541

9-35-0 PISTON RING SETS

9-35-1	RING SET, Piston, Std.							
	to .009 O/S	1	2525 407	2808 550	3004 571	2808 453	2808 477	-----
	.020 to .029 O/S	1	2525 408	2808 551	3004 572	2808 454	2808 478	-----
	.040 to .049 O/S	1	2525 409	2808 552	3004 573	2808 455	2808 479	-----
	Except 3-2 bbl. Carbs. Std. to .009 O/S	1	-----	-----	-----	-----	-----	2808 474
	.020 to .029 O/S.	1	-----	-----	-----	-----	-----	2808 475
	.040 to .049 O/S.	1	-----	-----	-----	-----	-----	2808 476
	w/3-2 bbl. Carbs Std. to .009 O/S.	1	-----	-----	-----	-----	-----	3420 228
	.020 to .029 O/S.	1	-----	-----	-----	-----	-----	3420 229
	.040 to .049 O/S.	1	-----	-----	-----	-----	-----	3420 230

9-36-0 PISTON PIN

9-36-5	PIN, Piston, Std.	8	2899 536	2658 878	2658 878	-----	2780 524	-----
	.003 O/S	8	2899 537	2658 879	2658 879	-----	2780 525	-----
	.008 O/S.	8	2899 538	2658 880	2658 880	-----	2780 526	-----
9-36-7	RING, Piston Pin Retaining	16	1324 470	1324 470	6027 336	-----	6025 031	-----

TYPE LETTERS Indicates

B - Barracuda

V - Valiant
L - Dart

R - Belvedere
W - Coronet

P - Plymouth
D - Dodge

C - Chrysler
Y - Imperial

AR Indicates use as required.

Indicates parts not listed in any previous parts book.

Numerals in parentheses () refer to notes.

★ Indicates change or addition.

Printed in U.S.A.

January 1971

1969 PASSENGER CAR PARTS CATALOG

ENGINE

CODE	PART NAME AND DESCRIPTION	PER CAR	CU. IN. DISPLACEMENT & PISTON BORE SIZE					
			273	318	340	383	426	440
			3.62	3.91	4.04	4.25	4.26	4.32

EIGHT CYLINDER ENGINES

9-39-0 VALVE

9-39-1	GASKET PACKAGE, Valve grinding, V, L	1	3004 842	_____	_____	_____	_____	_____	_____
	V, B, L	1	_____	3420 028	_____	_____	_____	_____	_____
	R, W, P, D	1	_____	3420 030	_____	_____	_____	_____	_____
	B, L	1	_____	_____	3004 726	_____	_____	_____	_____
		1	_____	_____	_____	3004 570	3004 616	2808 483	_____
9-39-5	VALVE, Intake, Std.	8	2465 335	2465 335	2863 520	2206 103	2468 096	_____	_____
	.005 O/S	8	2465 336	2465 336	2863 530	2206 097	2468 097	_____	_____
	.015 O/S	8	2465 337	2465 337	2863 531	2206 105	2468 098	_____	_____
	.030 O/S	8	2465 338	2465 338	2863 532	2206 106	2468 099	_____	_____
	Except 3-2 bbl. Carb. Std.	8	_____	_____	_____	_____	_____	2206 103	_____
	.005 O/S.	8	_____	_____	_____	_____	_____	2206 104	_____
	.015 O/S.	8	_____	_____	_____	_____	_____	2206 105	_____
	.030 O/S.	8	_____	_____	_____	_____	_____	2206 106	_____
	w/3-2 bbl. Carb. Std.	8	_____	_____	_____	_____	_____	3418 475	_____
	.005 O/S	8	_____	_____	_____	_____	_____	3418 476	_____
	.015 O/S.	8	_____	_____	_____	_____	_____	3418 477	_____
	.030 O/S.	8	_____	_____	_____	_____	_____	3418 478	_____
9-39-6	VALVE, Exhaust, Std.	8	2465 339	2465 339	2863 521	2899 036	2468 146	_____	_____
	.005 O/S	8	2465 340	2465 533	2863	533	2899 037	2468 147	_____
	.015 O/S	8	2465 341	2465 341	2863 534	2899 038	2468 148	_____	_____
	.030 O/S	8	2465 342	2465 342	2863	535	2899 039	2468 149	_____
	Except 3-2 bbl. Carb's Std.	8	_____	_____	_____	_____	_____	2899 036	_____
	.005 O/S.	8	_____	_____	_____	_____	_____	2899 037	_____
	.015 O/S.	8	_____	_____	_____	_____	_____	2899 038	_____
	.030 O/S.	8	_____	_____	_____	_____	_____	2899 039	_____
	w/3-2 bbl. Carb's, Std.	8	_____	_____	_____	_____	_____	3418 479	_____
	.005 O/S.	8	_____	_____	_____	_____	_____	3418 480	_____
	.015 O/S.	8	_____	_____	_____	_____	_____	3418 481	_____
	.030 O/S.	8	_____	_____	_____	_____	_____	3418 482	_____
9-39-14	SHIELD, Valve Stem Oil	16	2205 958	2205 958	2205 958	2121 686	_____	2121 686	_____
	Intake Valve Stem Oil	8	_____	_____	_____	_____	2899 547	_____	_____
	Exhaust Valve Stem Oil	8	_____	_____	_____	_____	2899 548	_____	_____
9-39-15	SPRING, Valve	16	1739 534	1739 534	2863 439	_____	2899 549	_____	_____
	7 1/2 Coils, 2.58" Free Length	16	_____	_____	_____	2658 471	_____	2658 471	_____
	6 1/2 Coils, 2.23" Free Length	16	_____	_____	_____	2658 204	_____	2658 204	_____
	w/3-2 bbl. Carb's.	16	_____	_____	_____	_____	_____	# 3418 491	_____
9-39-16	RETAINER, Valve Spring	16	2402 045	2402 045	2402 045	2402 045	3418 460	2402 045	_____
9-39-17	LOCK, Intake Valve Spring Retainer	16	381 875	381 875	_____	381 875	_____	_____	_____
	Except 3-2 bbl. Carb's.	16	_____	_____	_____	_____	_____	381 875	_____
	w/3-2 bbl. Carb's.	16	_____	_____	_____	_____	_____	2402 312	_____
	Exhaust Valve Spring Retainer	16	1614 666	1614 666	_____	1614 666	_____	1614 666	_____
	Valve Spring Retainer	32	_____	_____	1614 666	_____	2264 658	_____	_____
9-39-21	SPACER, Valve Spring	AR	1859 144	1859.144	1859 144	1859 144	1859 144	1859 144	1859 144

9-41-0 VALVE TAPPET

9-41-1	SILENCER PACKAGE, Tappet Chamber	1	_____	_____	_____	1879 747	_____	1879 747	_____
	TAPPET, .0005 U/S	AR	_____	_____	_____	_____	2843 177	_____	_____
	Std.	16	3004 643	3004 643	3004 643	3004 647	2843 178	_____	_____
	.001 O/S.	16	3004 644	3004 644	3004 644	3004 648	2843 179	_____	_____
	.008 O/S.	16	3004 645	3004 645	3004 645	3004 649	2843 180	_____	_____
	.030 O/S.	16	3004 646	3004 646	3004 646	3004 650	2843 181	_____	_____
	Except 3-2 bbl. Carb's. Std.	16	_____	_____	_____	_____	_____	3004 647	_____
	.001 O/S.	16	_____	_____	_____	_____	_____	3004 648	_____
	.008 O/S.	16	_____	_____	_____	_____	_____	3004 649	_____

TYPE LETTERS Indicates

B - Barracuda

V - Valiant
L - Dart

R - Belvedere
W - Coronet

P - Plymouth
D - Dodge

C - Chrysler
Y - Imperial

AR Indicates use as required.

Indicates parts not listed in any previous parts book.

Numerals in parentheses () refer to notes.

★ Indicates change or addition.

Printed in U.S.A.
January 1971

1969 PASSENGER CAR PARTS CATALOG

ENGINE

CODE	PART NAME AND DESCRIPTION	PER CAR	CU. IN. DISPLACEMENT & PISTON BORE SIZE					
			273	318	340	383	426	440
			3.62	3.91	4.04	4.25	4.26	4.32

EIGHT CYLINDER ENGINES

9-41-0 VALVE TAPPET Cont'd.

9-41-1	SILENCER Cont'd.							
	.030 O/S.	16	-----	-----	-----	-----	-----	3004 650
	w/3-2 bbl. Carb's. Std.	16	-----	-----	-----	-----	-----	3420 039
	.001 O/S.	16	-----	-----	-----	-----	-----	3420 040
	.008 O/S.	16	-----	-----	-----	-----	-----	3420 041
	.030 O/S.	16	-----	-----	-----	-----	-----	3420 042

9-42-0

9-42-1	ROD, Valve Push	16	2899 561	2899 561	2899 567	2899 594	-----	2899 595
	Intake Valve Push	8	-----	-----	-----	-----	3418 361	-----
	Exhaust Valve Push	8	-----	-----	-----	-----	3418 362	-----

9-43-0 VALVE ROCKER

9-43-1	ROCKER, Valve, Rt.	8	3004 716	3004 716	3004 716	3004 718	-----	3004 718
	Lt.	8	3004 717	3004 717	3004 717	3004 719	-----	3004 719
	Intake Valve	8	-----	-----	-----	-----	2468 173	-----
	Exhaust Valve	8	-----	-----	-----	-----	2468 174	-----
9-43-2	BUSHING, Intake Valve Rocker	8	-----	-----	-----	-----	2468 898	-----
	Exhaust Valve Rocker	8	-----	-----	-----	-----	2468 132	-----
9-43-3	SCREW, Valve Rocker Adjusting	16	-----	-----	-----	-----	2402 525	-----
	NUT, Lock	16	-----	-----	-----	-----	6023 587	-----
9-43-5	SPACER, Valve Rocker	8	-----	-----	-----	1737 756	-----	1737 756
9-43-9	SHAFT, Valve Rocker	2	2532 149	2532 149	2532 149	2465 850	-----	2465 850
	Intake Valve Rocker	2	-----	-----	-----	-----	2468 124	-----
	Exhaust Valve Rocker	2	-----	-----	-----	-----	2468 126	-----
9-43-10	BRACKET, Valve Rocker							
	Shaft Support	4	-----	-----	-----	-----	2468 089	-----
	Valve Rocker Shaft Support, Intermediate	4	-----	-----	-----	-----	2468 088	-----
	BRACKET, Off-Set, Valve Rocker Shaft, Right Front and Left Rear	2	-----	-----	-----	-----	2468 091	-----
9-43-11	RETAINER, Valve Rocker							
	Shaft End and Center	6	2463 322	2463 322	2463 322	2463 282	-----	2463 282
	Intermediate	4	2463 323	2463 323	2463 323	2463 283	-----	2463 283
9-43-14	SPRING, Valve Rocker Shaft	14	-----	-----	-----	-----	2468 128	-----
		2	-----	-----	-----	-----	1632 106	-----
9-43-19	PLUG, Valve Rocker Shaft	AR	1324 268	1324 268	1324 268	1324 268	1324 268	1324 268

9-45-0 FLYWHEEL

9-45-1	FLYWHEEL, w/Ring GEAR	1	2264 597	2264 597	2264 597	-----	2863 069	-----
	B2, L2	1	-----	-----	-----	2264 597	-----	-----
	Except B2, L2	1	-----	-----	-----	2843 211	-----	2843 211
	R2, W2, w/Four Speed Man. Trans.	1	-----	-----	-----	-----	-----	3410 208
9-45-2	GEAR, Flywheel Ring	1	2863 497	2863 497	2863 497	-----	2863 494	-----
	B2, L2	1	-----	-----	-----	2863 497	-----	-----
	Except B2, L2	1	-----	-----	-----	2863 498	-----	2863 498
	GEAR, Torque Converter Starter Ring, V2, B2, L2	1	2863 495	2863 495	-----	-----	-----	-----
	B2, L2	1	-----	-----	1941 648	1941 648	-----	-----
	R2, W2, P2, w/A904 Auto. Trans.	1	-----	2121 196	-----	-----	-----	-----
	R2, W2, P2, D2, C, Y, w/A727 Auto. Trans.	1	-----	2863 497	-----	2863 497	-----	2863 497
		1	-----	-----	-----	-----	2863 497	-----

TYPE LETTERS Indicates V - Valiant R - Belvedere P - Plymouth C - Chrysler
 B - Barracuda L - Dart W - Coronet D - Dodge Y - Imperial

AR Indicates use as required.
 # Indicates parts not listed in any previous parts book.

Numerals in parentheses () refer to notes.
 ★ Indicates change or addition.

Printed in U.S.A.
 January 1971

CODE	PART NAME AND DESCRIPTION	PER CAR	CU. IN. DISPLACEMENT & PISTON BORE SIZE					
			273	318	340	383	426	440
			3.62	3.91	4.04	4.25	4.26	4.32

EIGHT CYLINDER ENGINES

9-46-0 TORQUE CONVERTER

9-46-4	TORQUE CONVERTER, w/A904 Trans.	1	2801 762	2801 762	-----	-----	-----	-----
	w/A727 Trans.	1	-----	2843 586	-----	-----	-----	-----
	w/2 bbl. Carb.	1	-----	-----	2801 764	-----	2801 766	-----
	w/4 bbl. Carb., B, L, R, W	1	-----	-----	-----	2843 586	-----	-----
	w/4 bbl. Carb., P, D, C	1	-----	-----	-----	2801 764	-----	-----
		1	-----	-----	-----	2843 586	-----	2843 586
9-46-8	PLATE, Torque Converter Drive, 10.75" dia.	1	2400 885	2400 885	2400 885	-----	-----	-----
	11.75" dia.	1	-----	2204 768	-----	-----	-----	2204 768
	11.75" dia., w/2 bbl. Carb.	1	-----	-----	-----	2204 768	-----	-----
	10.75 dia., w/4 bbl. Carb., B, L, R, W	1	-----	-----	-----	2400 885	-----	-----
	11.75 dia., w/4 bbl. Carb., P, D, C	1	-----	-----	-----	2204 768	-----	-----
						2466 715		
9-46-21	SCREW, Drive Plate to Crankshaft	8	-----	-----	-----	-----	6025 528	-----
	SCREW, Drive Plate to Torque Converter	4	-----	-----	-----	-----	6024 318	-----
	SCREW, Drive Plate to Torque Converter	4	1949 765	1949 765	1949 765	1949 765	-----	1949 765
	SCREW, Torque Converter Drive Plate to Crankshaft	6	1949 424	1949 424	1949 424	1949 424	-----	1949 424
9-46-31	COOLER, Radiator Core Oil, 7 3/4" Maximum lgh., V, B, L	AR	2949 002	2949 002	2949 002	2949 002	-----	-----
	11 3/4" Maximum lgh.	AR	2949 003	2949 003	2949 003	2949 003	2949 003	2949 003
	13 3/4" Maximum lgh., 1 1/4" dia., R, W, P, D, C, Y	AR	-----	2949 004	-----	2949 004	2949 004	2949 004
	16 3/4 Maximum lgh., R, W	AR	-----	2949 005	-----	2949 005	2949 005	2949 005
	13 3/4" Maximum lgh., 1 1/2" dia., V, B, L, P, D, C	AR	2949 006	2949 006	2949 006	2949 006	-----	2949 006
9-46-33	COOLER, Trans., Oil, Air Cooled, R, W	1	-----	-----	-----	-----	2801 907	-----
	Y	1	-----	-----	-----	-----	-----	2801 854
	J-NUT, Bracket	AR	-----	6023 168	-----	6023 168	-----	6023 168
	BRACKET, Trans. Oil Cooler Tube, except P, D, C, Y, w/727 Auto. Trans.	1	1949 176	1949 176	1949 176	1949 176	1949 176	1949 176
	P, D, C, Y, w/727 Auto. Trans.	1	-----	-----	-----	2951 334	-----	2951 334
9-46-43	BRACKET, Trans. Oil Cooler, Long, R, W.	1	-----	-----	-----	-----	2801 405	-----
	SCREW, w/WASHER	2	-----	-----	-----	-----	6023 092	-----
	U-NUT	3	-----	-----	-----	-----	6025 507	-----
9-46-44	NUT, Trans., Oil Cooler Radiator End	2	1941 667	1941 667	1941 667	1941 667	1941 667	1941 667
	Trans. End	2	1941 667	1941 667	1949 667	1949 667	1949 667	1949 667
	CONNECTOR, Trans. Oil Cooler, w/Trans. Auxiliary Oil Cooler, Y	2	-----	-----	-----	-----	-----	2801 853

TYPE LETTERS Indicates V - Valiant R - Belvedere P - Plymouth C - Chrysler
B - Barracuda L - Dart W - Coronet D - Dodge Y - Imperial

AR Indicates use as required. Numerals in parentheses () refer to notes. Printed in U.S.A.
Indicates parts not listed in any previous parts book. ★ Indicates change or addition. January 1971

1969 PASSENGER CAR PARTS CATALOG

ENGINE

CODE	PART NAME AND DESCRIPTION	PER CAR	CU. IN. DISPLACEMENT & PISTON BORE SIZE					
			273	318	340	383	426	440
			3.62	3.91	4.04	4.25	4.26	4.32

EIGHT CYLINDER ENGINES

9-46-0 TORQUE CONVERTER Cont'd.

9-46-94	DOWEL, Cylinder Block to Clutch Housing or Torque Converter Housing	2	1122 532	1122 532	1122 532	1122 532	1122 532	1122 532
	Eccentric, .007" Over Center	AR	1736 347	1736 347	1736 347	1736 347	1736 347	1736 347
	Eccentric, .014" Over Center	AR	1736 348	1736 348	1736 348	1736 348	1736 348	1736 348
	Eccentric, .021" Over Center	AR	1736 353	1736 353	1736 353	1736 353	1736 353	1736 353
9-46-130	SEAL, Trans. Torque Converter Impeller Hub, w/904 Auto. Trans.	1	2124 705	2124 705	_____	_____	_____	_____
	w/727 Auto. Trans.	1	_____	_____	1942 020	1942 020	1942 020	1942 020
9-46-228	ROLLER, Torque Converter Overrunning Clutch	8	670 776	670 776	670 776	670 776	670 776	670 776
9-46-229	SPRING, Torque Converter Overrunning Clutch Roller	8	1942 187	1942 187	1942 187	1942 187	1942 187	1942 187

9-48-0 MANIFOLD

9-48-6	MANIFOLD, Exhaust, Right	1	2843 966	2843 966	_____	_____	_____	_____
	Left, V2, B2, L2	1	2780 946	2780 946	_____	_____	_____	_____
	Left, R2, W2, P2, D2	1	_____	2465 718	_____	_____	_____	_____
	Right	1	_____	_____	2863 545	_____	_____	_____
	Left	1	_____	_____	2863 552	_____	_____	_____
	Right, w/2 bbl. Carb.	1	_____	_____	_____	2532 459	_____	_____
	Right, w/4 bbl. Carb. except B2, L2	1	_____	_____	_____	2806 898	_____	_____
	Right, B2, L2	1	_____	_____	_____	2863 897	_____	_____
	Left, w/2 bbl. Carb., w/Auto. Trans., R2, W2	1	_____	_____	_____	2532 625	_____	_____
	Left, w/4 bbl. Carb., R2, W2	1	_____	_____	_____	2843 991	_____	_____
	Left, w/4 bbl. Carb., B2, L2	1	_____	_____	_____	2946 728	_____	_____
	Left, w/2 bbl. Carb., w/Auto. Trans., P2, D2, C1	1	_____	_____	_____	2463 106	_____	_____
	Left, w/2 bbl. Carb., w/Man. 3 Speed Trans., P2, D2, C1	1	_____	_____	_____	2863 408	_____	_____
	Left, w/4 bbl. Carb., P2, D2, C1	1	_____	_____	_____	2863 408	_____	_____
	Right	1	_____	_____	_____	_____	2780 506	_____
	Left	1	_____	_____	_____	_____	2780 502	_____
	Right, w/o H/Perf., P2, D2, C, Y	1	_____	_____	_____	_____	_____	2532 459
	Right, w/H/Perf., R2, W2, P2, D2, C	1	_____	_____	_____	_____	_____	2806 898
	Left, w/o H/Perf., P2, D2, C, Y	1	_____	_____	_____	_____	_____	2463 106
	Left, w/H/Perf., R2, W2	1	_____	_____	_____	_____	_____	2843 991
	Left, w/H/Perf., P2, D2, C	1	_____	_____	_____	_____	_____	2863 408
	SCREW	AR	9421 360	9421 360	9421 360	_____	_____	_____
	SCREW, 5/16" x 1 1/8"	4	181 002	181 089	181 089	_____	_____	_____
	SPACER, Support, w/Leece-Neville Alternator, w/o Air Conditioning	1	_____	6027 135	_____	_____	_____	_____
	MANIFOLD, Exhaust, w/Anti-Icing, P,D, Lt.	1	_____	2465 718	_____	_____	_____	_____
	Canada	1	_____	2899 992	_____	_____	_____	_____
	w/Anti-Icing, P, D, Rt. Canada	1	_____	_____	_____	_____	_____	_____

TYPE LETTERS Indicates

B - Barracuda

V - Valiant
L - Dart

R - Belvedere
W - Coronet

P - Plymouth
D - Dodge

C - Chrysler
Y - Imperial

AR Indicates use as required.
Indicates parts not listed in any previous parts book.

Numerals in parentheses () refer to notes.
★ Indicates change or addition.

Printed in U.S.A.
January 1971

CODE	PART NAME AND DESCRIPTION	PER CAR	CU. IN. DISPLACEMENT & PISTON BORE SIZE					
			273	318	340	383	426	440
			3.62	3.91	4.04	4.25	4.26	4.32

EIGHT CYLINDER ENGINES

9-48-0 MANIFOLD Cont'd.			273	318	340	383	426	440
9-48-7	MANIFOLD, Intake	1	2536 560	2468 959	2531 914	-----	2780 542	2843 031
	w/2 bbl. Carb	1	-----	-----	-----	2843 683	-----	-----
	w/4 bbl. Carb	1	-----	-----	-----	2843 684	-----	-----
	DOWEL, Intake Manifold							
	Gasket	2	9414 469	9414 469	9414 469	-----	-----	-----
	SCREW	AR	9417 050	9417 050	9417 050	9421 218	6025 700	9421 218
	STUD	AR	-----	-----	-----	-----	6026 994	-----
	STUD	AR	-----	-----	-----	-----	6026 429	-----
	STUD	AR	-----	-----	-----	-----	6027 207	-----
	NUT, w/WASHER	AR	-----	-----	-----	-----	6023 118	-----
	WASHER, Ground Cable	2	-----	-----	-----	6026 273	-----	6026 273
9-48-8	CONNECTOR, Intake Manifold							
	Vacuum Control, One Way							
	Connector Tube, 252" dia.	AR	2658 625	2658 625	2658 625	2658 625	2658 625	2658 625
	One Way Connector Tube,							
	.127" dia.	AR	1868 955	1858 955	1858 955	1858 955	1858 955	1858 955
	One Way Connector Tube,							
	125" dia.	AR	2863 486	2863 486	2863 486	2863 486	-----	2863 486
	One Way Connector Tube,							
	Side Mounting, 300" dia.							
	W2P29	AR	-----	2863 398	-----	-----	2863 398	-----
	Two Way Connector Tube,							
	Side Mounting, 125" dia. and							
	300" dia., W2 P29	AR	-----	2863 399	-----	-----	-----	-----
	PLUG, Intake Manifold	1	-----	-----	-----	-----	1392 371	-----
	PLUG, Intake Manifold Heater							
	Hole, w/o Heater	1	1859 127	1859 127	1859 127	1859 127	1859 127	1859 127
	PLUG, Intake Manifold Vacuum							
	Control Hole	1	1859 127	1859 127	1859 127	1859 127	1859 127	1859 127
9-48-14	WASHER, Exhaust Manifold							
	Stud or Screw	AR	2121 223	2121 223	2121 223	-----	-----	-----
9-48-26	TUBE, Exhaust Manifold to							
	Intake Manifold Heat	1	-----	-----	-----	-----	2780 613	-----
9-48-27	REINFORCEMENT, Intake							
	Manifold Gasket End	2	-----	-----	-----	1859 332	-----	1851 665
9-48-43	STUD, Exhaust Manifold	AR	-----	-----	-----	6028 023	-----	6028 023
9-48-44	NUT, Exhaust Manifold Stud,							
	Medium	AR	-----	-----	-----	2806 982	-----	2806 982
	NUT, Exhaust Manifold Stud,							
	Long	AR	-----	-----	-----	2268 282	-----	2268 282
	NUT, Exhaust Manifold Stud,							
	Long	2	-----	-----	2863 391	-----	-----	-----
9-48-45	WASHER, Exhaust Manifold							
	Bolt	11	-----	-----	-----	-----	2780 643	-----
9-48-56	SHIELD, Intake Manifold Heat	1	2463 264	2806 037	2531 916	-----	2468 218	-----
9-48-125	COVER, Exhaust Manifold							
	to Carb.-Heat Tube							
	Canada	AR	-----	1484 356	-----	-----	-----	-----
9-48-126	TUBE, Exhaust Manifold Heat	1	-----	-----	-----	-----	1325 850	-----
9-48-140	CLIP, Exhaust Manifold Heat							
	Tube to Carb. Tube	1	-----	-----	-----	-----	2780 654	-----
	CLIP, Exh. Manifold Heat							
	Tube to Carb. Tube, Canada	1	-----	2658 374	-----	-----	-----	-----

TYPE LETTERS Indicates V - Valiant R - Belvedere P - Plymouth C - Chrysler
 B - Barracuda L - Dart W - Coronet D - Dodge Y - Imperial

AR Indicates use as required. Numerals in parentheses () refer to notes. Printed in U.S.A.
 # Indicates parts not listed in any previous parts book. ★ Indicates change or addition. January 1971

1969 PASSENGER CAR PARTS CATALOG

ENGINE

CODE	PART NAME AND DESCRIPTION	PER CAR	CU. IN. DISPLACEMENT & PISTON BORE SIZE					
			273	318	340	383	426	440
			3.62	3.91	4.04	4.25	4.26	4.32

EIGHT CYLINDER ENGINES

9-50-0 MANIFOLD GASKETS

9-50-1	GASKET SET, Intake Manifold	1	3420 027	3420 027	2808 689	-----	2808 306	-----
9-50-5	GASKET, w/Heat SHIELD, Exhaust Manifold Left, B2, V2, L2	1	2946 128	2946 128	-----	-----	-----	-----
		1	-----	-----	2946 105	-----	-----	-----
	GASKET, Exhaust Manifold	2	-----	-----	-----	-----	2780 534	-----
9-50-6	GASKET, Intake Manifold	1	-----	-----	-----	2899 299	-----	1851 664
	GASKET, Intake Manifold Plug	1	-----	-----	-----	-----	2780 680	-----
9-50-18	GASKET, Heat Tube	2	-----	-----	-----	-----	2780 614	-----

9-58-0 MANIFOLD HEAT CONTROL THERMOSTAT

9-58-1	HEAT CONTROL PACKAGE, Manifold	1	3004 709	3004 709	3004 574	-----	2808 393	-----
	w/2 bbl. Carb.	1	-----	-----	-----	2585 531	-----	-----
	w/4 bbl. Carb.	1	-----	-----	-----	2808 446	-----	-----
	w/o H/Perf.	1	-----	-----	-----	-----	-----	2585 531
	w/H/Perf.	1	-----	-----	-----	-----	-----	2808 446
9-58-5	THERMOSTAT, Exhaust Manifold Heat Control Valve	1	960003	960 003	-----	2806 353	2843 685	2806 353
9-58-12	COUNTERWEIGHT, Exhaust Manifold Heat Control Valve	1	2806 743	2806 743	-----	2658 888	2780 615	2658 888
	BOLT	1	-----	-----	-----	-----	9418 087	-----
9-58-13	BOLT, Exhaust Manifold Heat Control Valve Shaft Counterweight	1	862 830	862 830	-----	862 830	9418 087	862 830
9-58-14	LOCK, Exhaust Manifold Heat Control Valve Counterweight	1	1409 594	1409 594	-----	-----	2806 151	-----

9-59-0 MANIFOLD HEAT CONTROL VALVE

9-59-10	PLUG, Exhaust Manifold Heat Control Valve Shaft Hole	1	-----	-----	2843 957	-----	-----	-----
9-59-13	SPRING, Exhaust Manifold Heat Control Valve Shaft	1	2951 626	2951 626	2863 388	3004 714	3004 714	-----
		2	-----	-----	-----	-----	2806 387	-----
9-59-15	PIN, Exhaust Manifold Heat Control Valve Damper	1	2951 627	2951 627	2951 627	-----	-----	-----
	PIN, Exhaust Manifold Heat Control Valve Shaft Spring	1	-----	-----	-----	2465 885	2806 150	2465 885

9-62-0 MANIFOLD HEAT CONTROL VALVE STOP

9-62-1	STOP, Exhaust Manifold Heat Control Valve	1	2946 083	2946 083	2946 083	683 057	2465 203	683 057
9-62-2	PIN, Exhaust Manifold Heat Control Valve Stop	1	6027 331	6027 331	6027 331	-----	2843 022	-----

9-64-0 ENGINE FRONT SUPPORT.

9-64-24	BRACKET, Engine Front Support Insulator, Right, V2, B2, L2	1	2863 443	2863 443	2863 443	-----	-----	-----
	Left, V2, B2, L2	1	2843 223	2843 223	-----	-----	-----	-----
	Left, B2, L2	1	-----	-----	2863 445	-----	-----	-----
	Right, R2, W2, P2, D2	1	-----	2536 125	-----	-----	-----	-----
	Left, R2, W2, P2, D2	1	-----	2806 025	-----	-----	-----	-----
	Right	1	-----	-----	-----	2536 132	-----	2536 132

TYPE LETTERS Indicates

B - Barracuda

V - Valiant
L - Dart

R - Belvedere
W - Coronet

P - Plymouth
D - Dodge

C - Chrysler
Y - Imperial

AR Indicates use as required.

Indicates parts not listed in any previous parts book.

Numerals in parentheses () refer to notes.

★ Indicates change or addition.

Printed in U.S.A.
January 1971

CODE	PART NAME AND DESCRIPTION	PER CAR	CU. IN. DISPLACEMENT & PISTON BORE SIZE					
			273	318	340	383	426	440
			3.62	3.91	4.04	4.25	4.26	4.32

EIGHT CYLINDER ENGINES

9-64-0 ENGINE FRONT SUPPORT Cont'd.

9-64-24	BRACKET Cont'd. Left, except B2, L2	1	-----	-----	-----	2863 751	-----	2863 751
	Left, B2, L2	1	-----	-----	-----	2465 862,	-----	-----
	Right	1	-----	-----	-----	-----	2780 672	-----
	Left	1	-----	-----	-----	-----	2780 673	-----
	BOLT, Bracket to Block	AR	9417 818	9417 818	9417 818	9417 818	-----	9417 818
	BOLT, Bracket to Block, R2, W2	1	-----	-----	-----	9427 473	-----	9427 473
	NUT, Bracket to Cylinder Block Bolt	AR	6026 750	6026 750	6026 750	6026 750	-----	6026 750
	WASHER, Bracket to Cylinder Block Bolt, B2, L2	2	-----	-----	-----	6023 050	-----	-----
9-64-35	CABLE, Engine Roll, w/Auto. Trans., P, D	1	-----	2951 589	-----	-----	-----	-----
	w/Auto. Trans., P, D, C, Y	1	-----	-----	-----	2951 590	-----	2951 590
9-64-36	SPACER, Engine Roll Cable, w/Auto. Trans., P, D, P, D, C, Y	1	-----	2951 593	-----	-----	-----	-----
		1	-----	-----	-----	2951 592	-----	2951 592
9-64-37	BUSHING, Engine Roll Cable, w/Auto. Trans., P, D, C, Y	1	-----	2951 594	-----	2951 594	-----	2951 594
		1	-----	-----	-----	-----	-----	2951 594

9-67-0 ENGINE FRONT SUPPORT INSULATOR

9-67-4	INSULATOR, Engine Front Support, V2, B2, L2	2	2806 779	2806 779	2806 779	-----	-----	-----
	R2, W2, Sta. Wgn.	2	-----	2863 735	-----	2863 735	-----	-----
	R2, W2, except Sta. Wgn.	2	-----	2536 121	-----	2536 121	-----	2536 121
	P2, D2, C, Y	2	-----	2536 121	-----	2536 121	-----	2536 121
	Right, B2, L2	1	-----	-----	-----	2536 121,	-----	-----
	Left, B2, L2	1	-----	-----	-----	2465 861	-----	-----
	Right	1	-----	-----	-----	-----	2532 708	-----
	Left	1	-----	-----	-----	-----	2468 184	-----
	NUT, Insulator to Frame	2	6023 353	6023 353	6023 353	-----	-----	-----
	BOLT, Insulator to Frame	1	-----	-----	-----	-----	6026 968	-----
	WASHER, Insulator to Frame Bolt	AR	-----	6023 050	-----	6023 050	6023 050	6023 050
	SCREW, w/WASHER, Support to Frame	1	-----	-----	-----	-----	6024 023	-----

9-69-0 ENGINE REAR SUPPORT INSULATOR BRACKET

9-69-12	SPACER, Engine Rear Support Insulator Bracket, P, D, C, Y	2	3410 700	3410 700	3410 700	3410 700	-----	3410 700
---------	--	---	----------	----------	----------	----------	-------	----------

9-71-0 ENGINE REAR SUPPORT INSULATOR

9-71-5	INSULATOR, Engine Rear Support, V, B, L, R, W P, D, C, Y	1	2533 145	2533 145	2533 145	2533 145	-----	2533 145
	R, W	1	-----	2892 471	-----	2892 471	-----	2892 471
	SCREW, V2, B2, L2, R2, W2	2	9417 471	9417 471	9417 471	9417 471	2660 673	9417 471
	SCREW, P2, D2, C, Y	2	-----	6024 023	-----	6024 023	-----	6024 023
	Bolt, Insulator to Crossmember, P, D, C, Y	1	-----	6028 237	-----	6028 237	-----	6028 237
	Nut, Insulator to Crossmember Bolt	1	-----	6023 353	-----	6023 353	-----	6023 353

TYPE LETTERS Indicates

B - Barracuda

V - Valiant
L - DartR - Belvedere
W - CoronetP - Plymouth
D - DodgeC - Chrysler
Y - Imperial

AR Indicates use as required.

Indicates parts not listed in any previous parts book.

Numerals in parentheses () refer to notes.

★ Indicates change or addition.

Printed in U.S.A.
January 1971

1969 PASSENGER CAR PARTS CATALOG

ENGINE

CODE	PART NAME AND DESCRIPTION	PER CAR	CU. IN. DISPLACEMENT & PISTON BORE SIZE					
			273	318	340	383	426	440
			3.62	3.91	4.04	4.25	4.26	4.32

EIGHT CYLINDER ENGINES

9-71-0 ENGINE REAR SUPPORT INSULATOR Cont'd.

9-71-5 INSULATOR Cont'd.

Washer, Insulator to Crossmember Bolt Stud, Rear Support Insulator to Extension, P, D, C, Y	1	----	120 396	----	120 396	----	120 396
Nut, Rear Support Insulator to Extension Stud, P, D, C, Y	2	----	6028 262	----	6028 262	----	6028 262
Washer, Rear Support Insulator to Extension Stud, P, D, C, Y	2	----	271 502	----	271 502	----	271 502
Washer, Rear Support Insulator to Extension Stud, P, D, C, Y	2	----	6023 050	----	6023 050	----	6023 050

NOTES

TYPE LETTERS Indicates

B - Barracuda

V - Valiant
L - Dart

R - Belvedere
W - Coronet

P - Plymouth
D - Dodge

C - Chrysler
Y - Imperial

AR Indicates use as required.

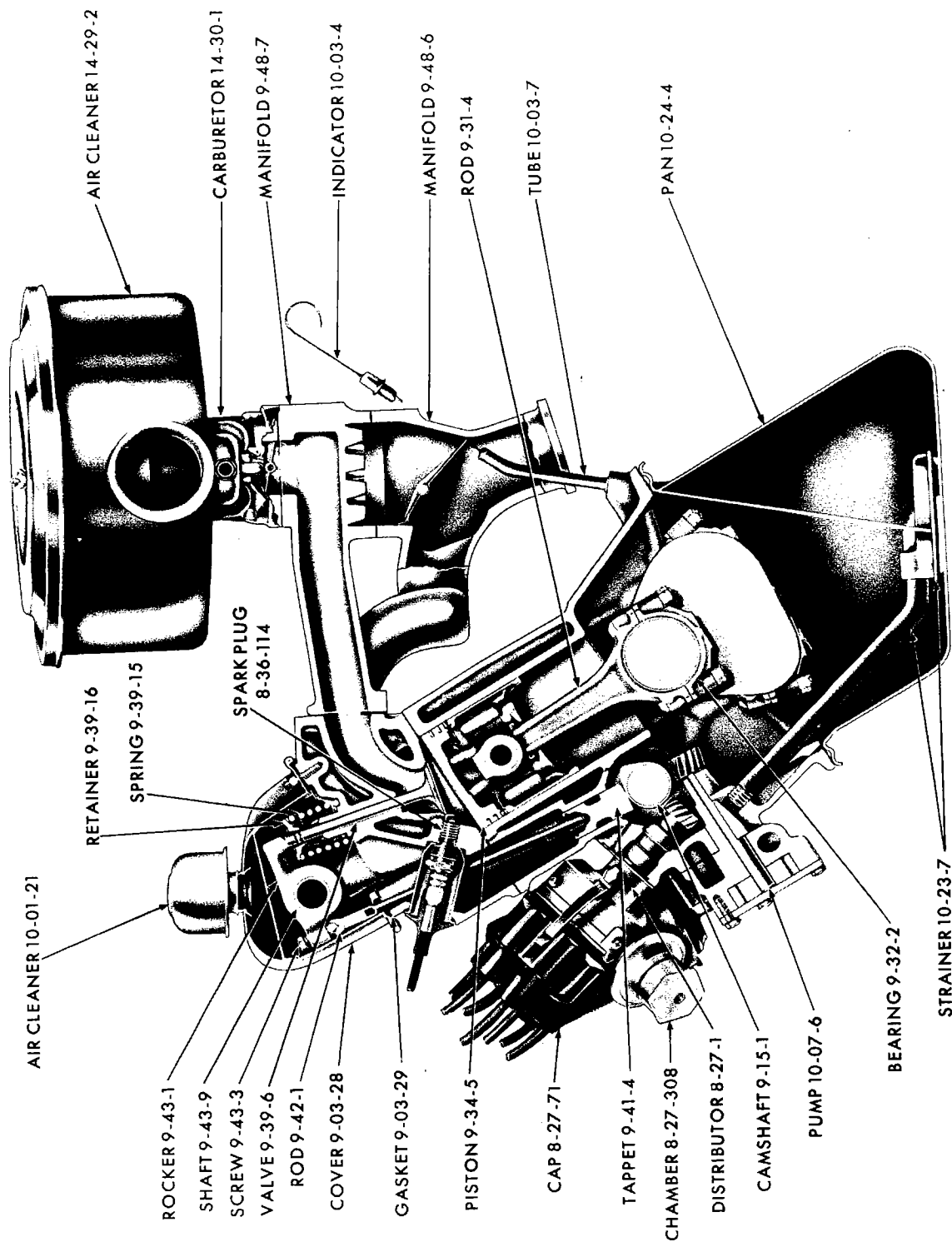
Indicates parts not listed in any previous parts book.

Numerals in parentheses () refer to notes.

★ Indicates change or addition.

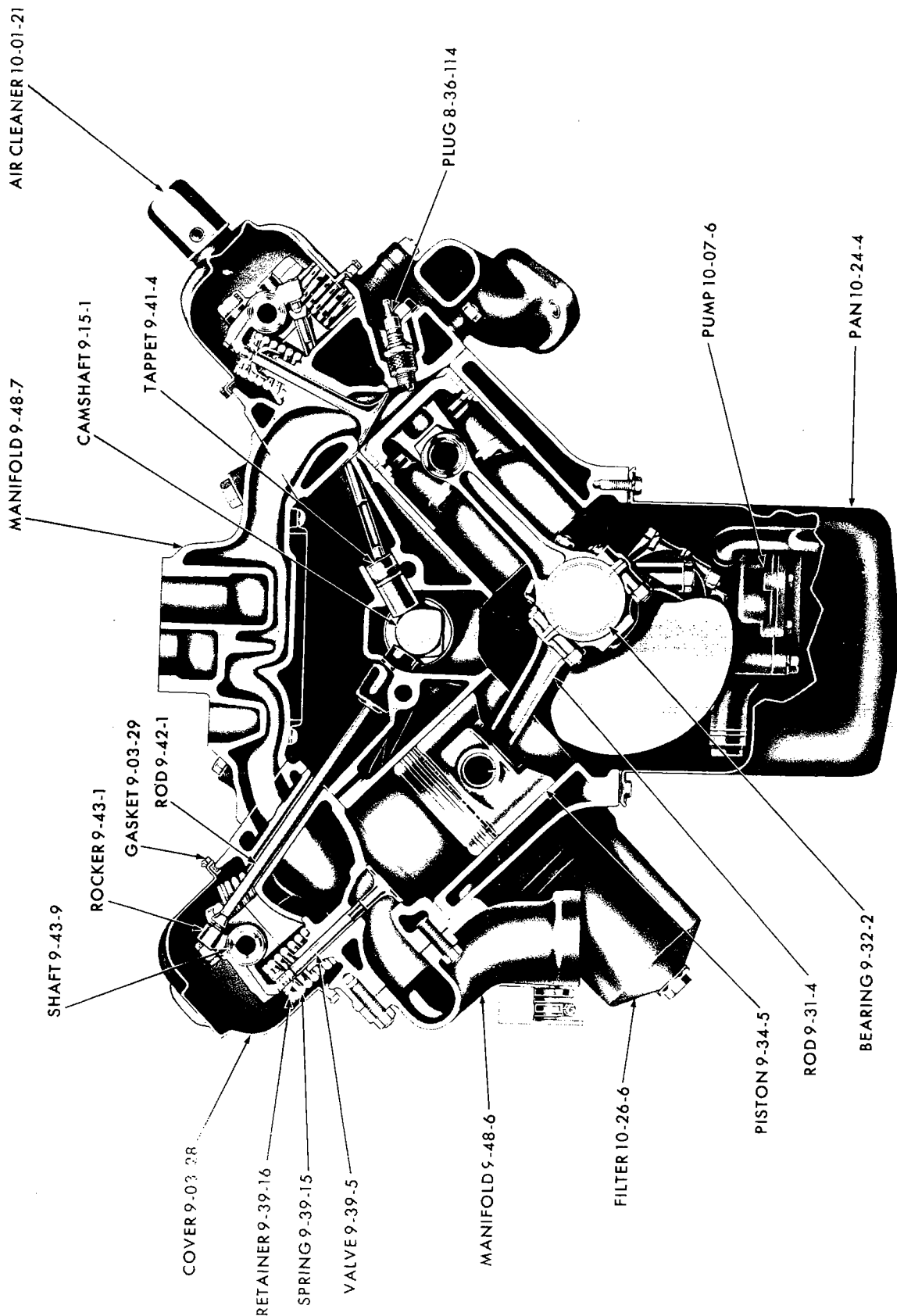
Printed in U.S.A.
January 1971

GROUP 10 - ENGINE OILING



19x8778

ENGINE OILING - 6 CYLINDER



AIR CLEANER 10-01-21

PLUG 8-36-114

19x8777B

MANIFOLD 9-48-7

CAMSHAFT 9-15-1

TAPPET 9-41-4

PUMP 10-07-6

PAN 10-24-4

SHAFT 9-43-9

ROCKER 9-43-1

GASKET 9-03-29

ROD 9-42-1

COVER 9-03-28

RETAINER 9-39-16

SPRING 9-39-15

VALVE 9-39-5

MANIFOLD 9-48-6

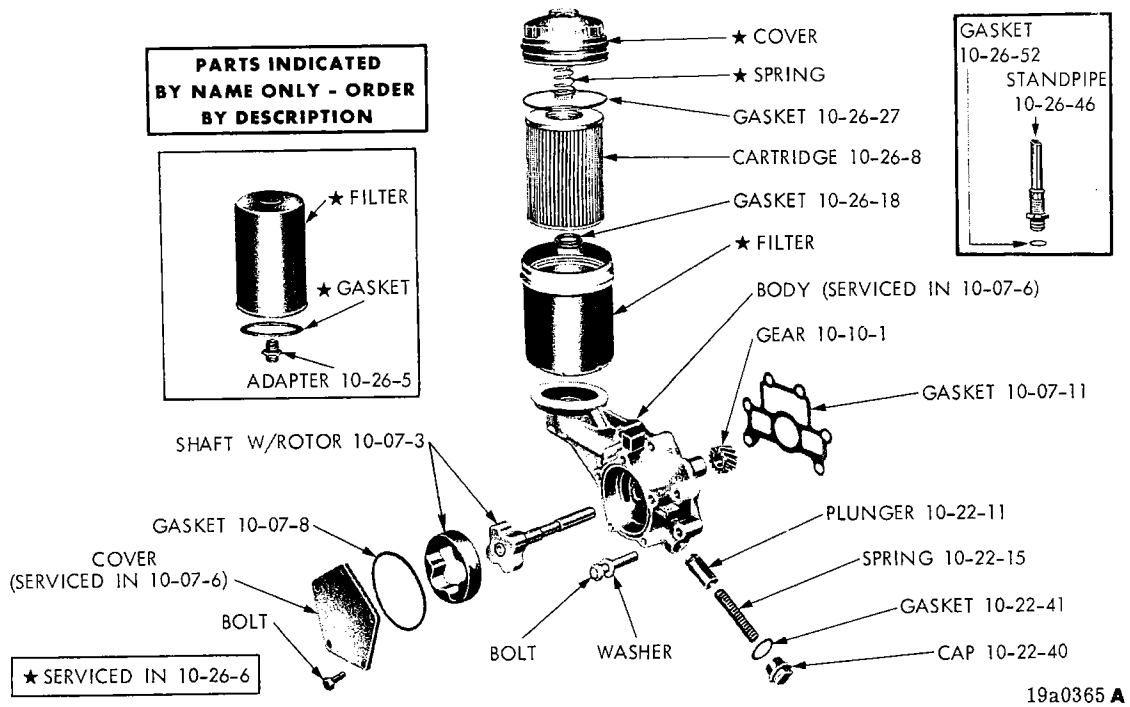
FILTER 10-26-6

PISTON 9-34-5

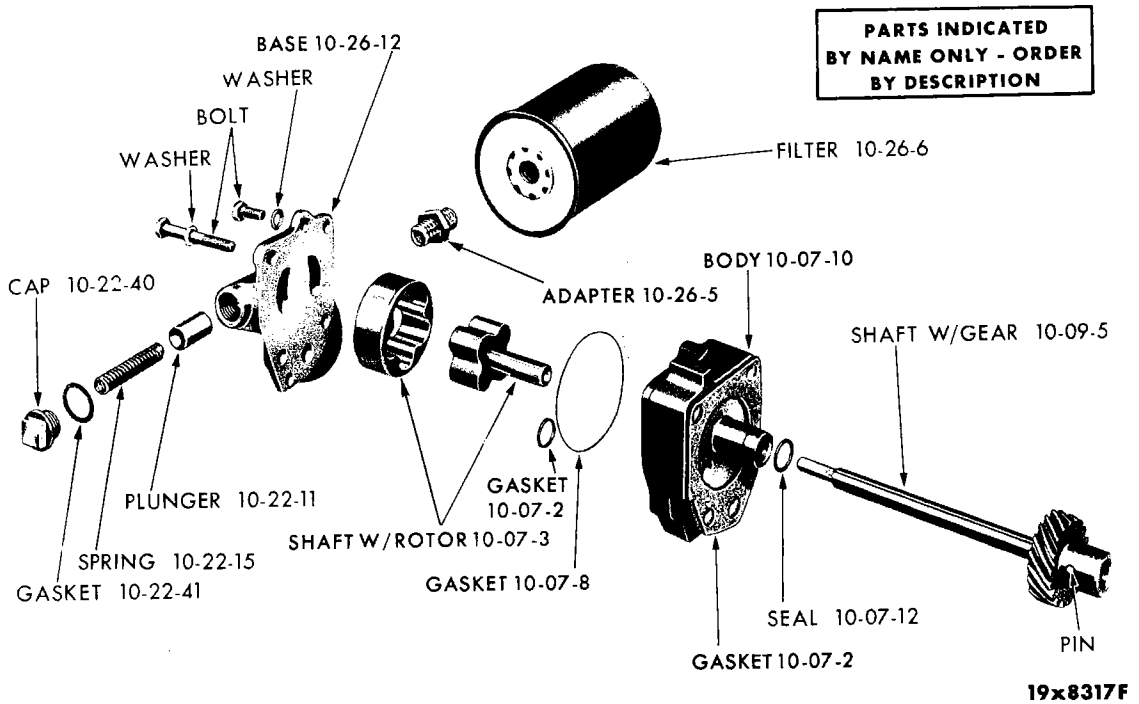
ROD 9-31-4

BEARING 9-32-2

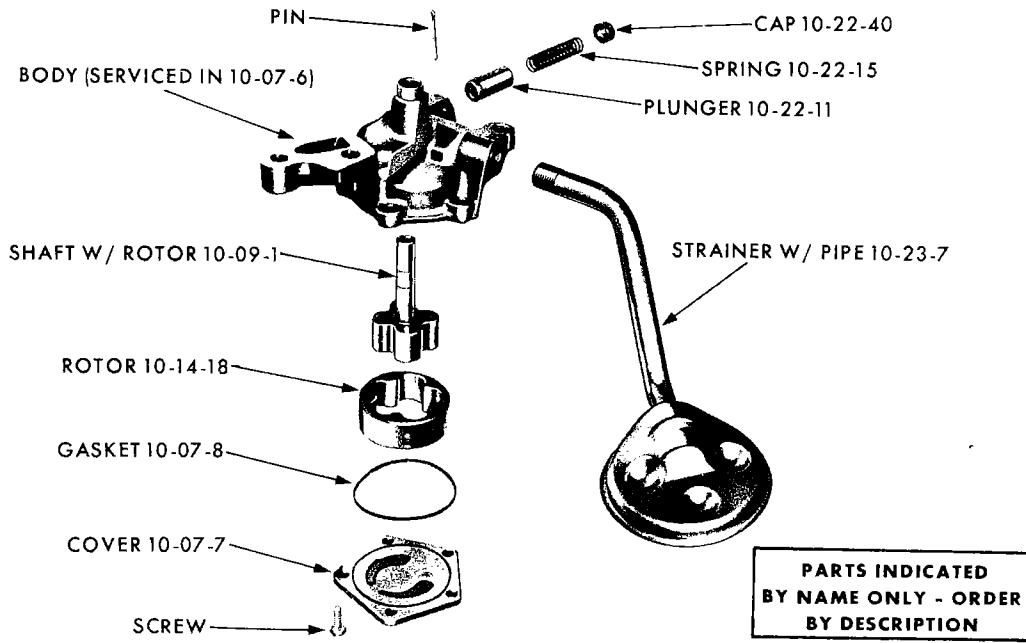
ENGINE OILING - 8 CYLINDER



OIL PUMP AND FILTER - 170 AND 225 ENGINE

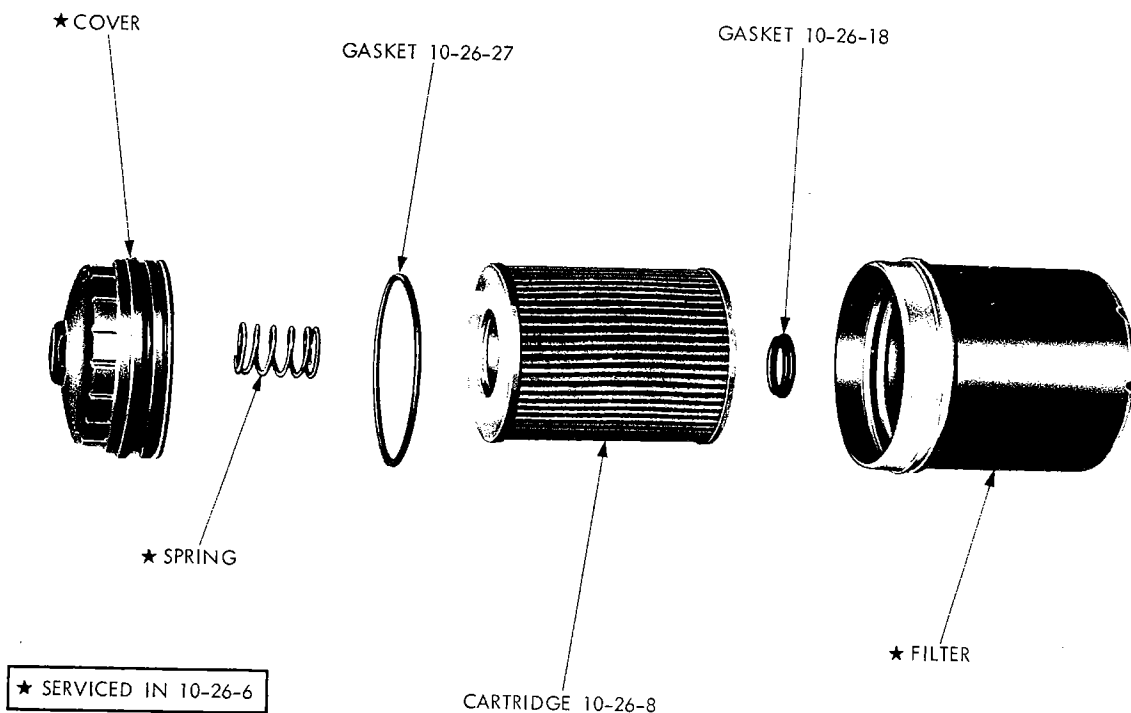


OIL PUMP AND FILTER - 383, 426 AND 440 ENGINES



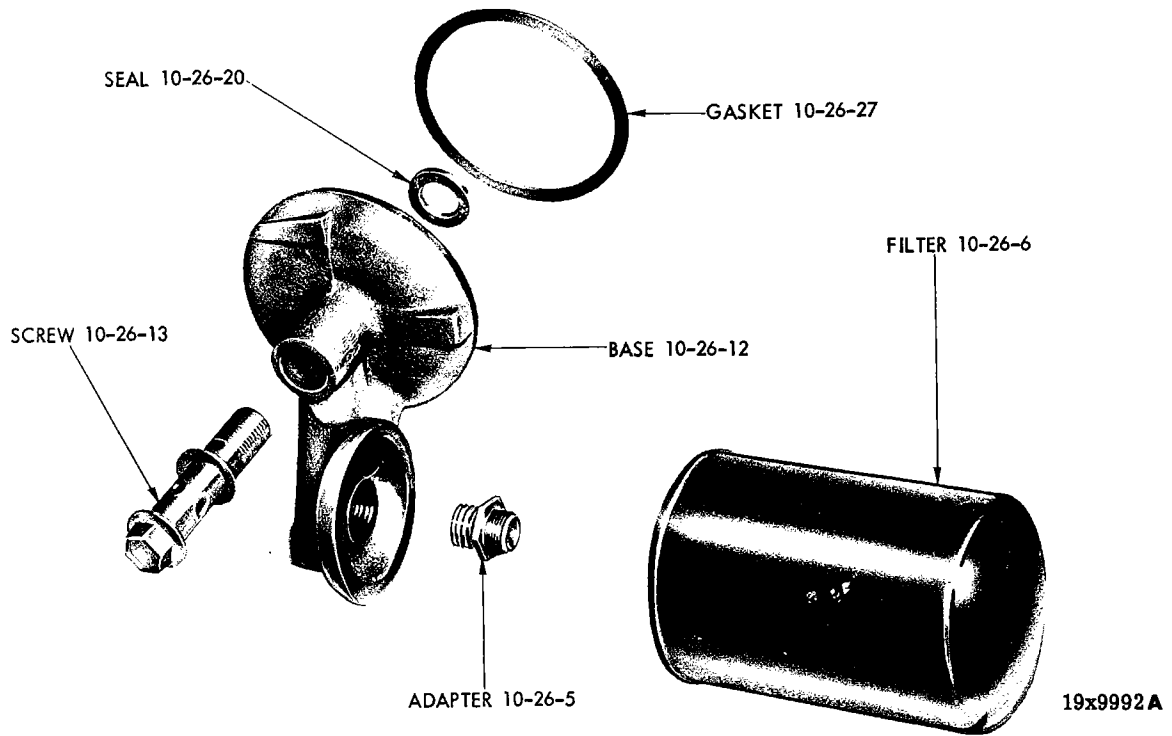
19x9226

OIL PUMP - 273, 318 AND 340 ENGINES

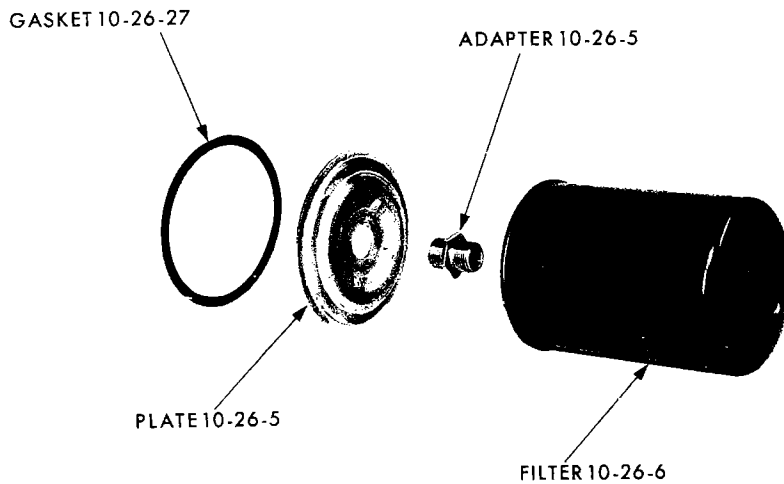


19a0367

OIL FILTER - 170, 225, 273, 318 AND 340 ENGINES (REPLACEABLE CARTRIDGE TYPE)

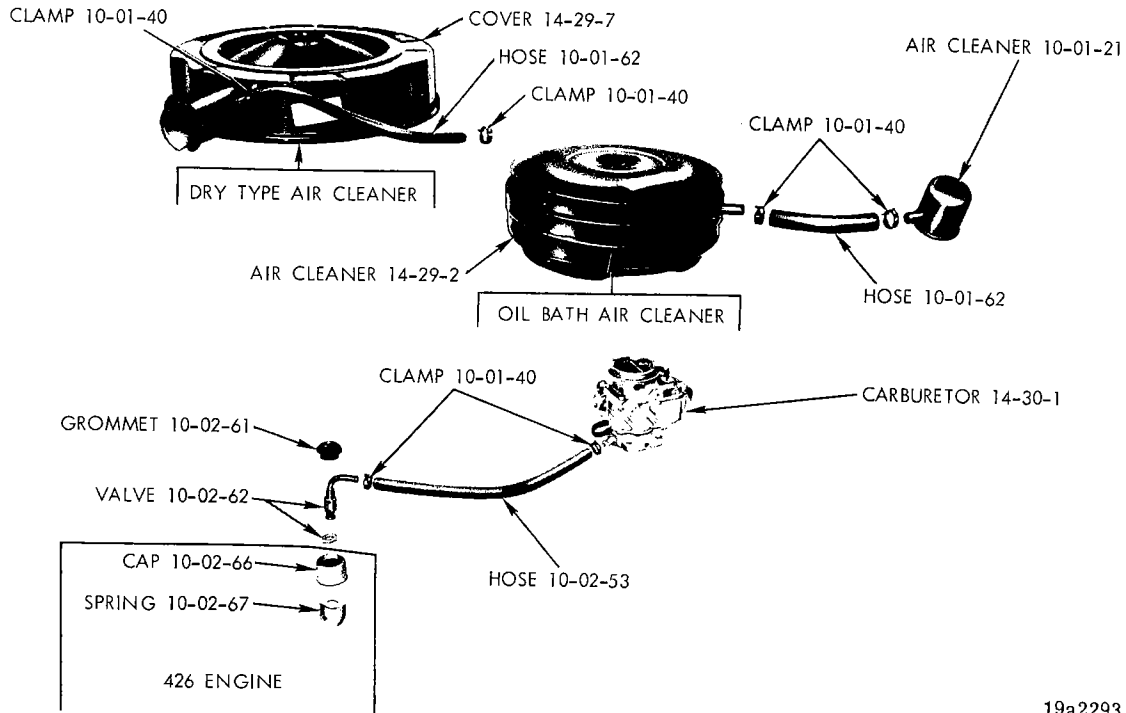


OIL FILTER - 273, 318 AND 340 ENGINES (SEALED CAN TYPE)



19x9489

OIL FILTER - 318 ENGINE (SEALED CAN TYPE)



19a2293

CAP - CLOSED CRANKCASE VENTILATING SYSTEM

NOTES

CODE	PART NAME	ENG. TYPE OR CU.IN.	V	B	L	R	W	P	D	C	C	C	Y	PART NUMBER
			1-2	1-2	1-2	1-2	1-2	1-2	1-2	1	2	3	1	
10-01-0 CRANKCASE VENT INLET AIR CLEANER														
10-01-21	AIR CLEANER, Painted		1	1	1	1	1	1	1	1	1	1	1	2463 989
	383 Eng., 4 bbl. Carb., Chrome	8	—	1	1	1	1	—	—	—	—	—	—	2463 866
	426 Eng., Chrome	8	—	—	—	1	1	—	—	—	—	—	—	2463 866
	440 Eng., w/H/Perf., Chrome	8	—	—	—	1	1	1	1	1	1	1	—	2463 866
	225 Eng., 2 bbl. Carb., Export	6	1	1	1	1	1	—	—	—	—	—	—	2402 199
10-01-40	CLAMP, Valve Vent to Carb., Hose Air Cleaner Inlet, to Air Cleaner, Hose		2	2	2	2	2	2	2	2	2	2	2	870 469
			2	2	2	2	2	2	2	2	2	2	2	870 469
10-01-62	HOSE, Inlet Air Cleaner to Air Cleaner		AR	AR	AR	AR	AR	AR	AR	AR	AR	AR	AR	2825 417

10-02-0 CAP-CLOSED CRANKCASE VENTILATING SYSTEM

10-02-53	HOSE, Vent Valve Cap to Carb. (sold by the inch)		AR	AR	AR	AR	AR	AR	AR	AR	AR	AR	AR	883 031
10-02-61	GROMMET, Vent Valve		1	1	1	1	1	1	1	1	1	1	1	2536 926
10-02-62	VALVE VENT PACKAGE	6	1	1	1	1	1	—	—	—	—	—	—	2808 441
	Canada Only	6	—	—	—	—	—	—	1	—	—	—	—	2808 441
	All	8	1	1	1	1	1	1	1	1	1	1	1	2808 622
10-02-66	CAP, Vent Valve, 426 Eng., Chrome	8	—	—	—	1	1	—	—	—	—	—	—	2463 860
10-02-67	SPRING, Vent Valve Cap, 426 Eng.	8	—	—	—	1	1	—	—	—	—	—	—	2203 117

10-03-0 OIL LEVEL INDICATOR

10-03-4	INDICATOR	6	1	1	1	1	1	—	—	—	—	—	—	2463 443
		6	—	—	—	—	—	1	—	—	—	—	—	2658 697
	Canada Only	6	—	—	—	—	—	—	1	—	—	—	—	2658 697
	273, 318, 340 Eng.	8	1	1	1	1	1	1	—	—	—	—	—	2946 470
	383, 440 Eng.	8	—	—	—	—	—	1	1	1	1	1	1	2899 924
	426 Eng.	8	—	—	—	1	1	—	—	—	—	—	—	2946 006
	w/INSULATOR, 383 Eng.	8	—	1	1	—	—	—	—	—	—	—	—	2899 411
	383, 440 Eng.	8	—	—	—	1	1	—	—	—	—	—	—	2899 246
	426 Eng.	8	—	—	—	1	1	—	—	—	—	—	—	2951 255
10-03-7	TUBE	6	1	1	1	1	1	1	—	—	—	—	—	2406 366
	Canada only	6	—	—	—	—	—	—	1	—	—	—	—	2406 366
	273, 318, 340 Eng.	8	1	1	1	1	1	1	—	—	—	—	—	1859 788
	318 Eng., Canada Built	8	—	—	—	1	1	1	1	—	—	—	—	2465 713
	426 Eng.	8	—	—	—	1	1	—	—	—	—	—	—	2806 243
	w/CLIP, 383 Eng.	8	—	1	1	—	—	—	—	—	—	—	—	2899 046
	383, 440 Eng.	8	—	—	—	1	1	—	—	—	—	—	—	3462 416
	383, 440 Eng.	8	—	—	—	—	—	1	1	1	1	1	1	2899 897
10-03-10	CLIP, Indicator Tube, 426 Eng.	8	—	—	—	1	1	—	—	—	—	—	—	2806 244
10-03-13	SEALER, Indicator Tube	6	AR	AR	AR	AR	AR	AR	—	—	—	—	—	1057 794
10-03-14	INSULATOR, Handle, 426 Eng. Tube, 426 Eng.	8	—	—	—	1	1	—	—	—	—	—	—	2806 239
		8	—	—	—	1	1	—	—	—	—	—	—	2806 242

10-07-0 OIL PUMP

10-07-2	GASKET and SEAL PACKAGE, 383, 426, 440 Eng.	8	—	1	1	1	1	1	1	1	1	1	1	2084 355
10-07-3	SHAFT and ROTOR PACKAGE	6	1	1	1	1	1	1	—	—	—	—	—	2084 415
	Canada only	6	—	—	—	—	—	—	1	—	—	—	—	2084 415
	383, 426, 440 Eng.	8	—	1	1	1	1	1	1	1	1	1	1	2084 354
10-07-6	PUMP, 273, 318, 340 Eng.	8	1	1	1	1	1	1	1	—	—	—	—	2806 270
	PUMP PACKAGE	6	1	1	1	1	1	1	—	—	—	—	—	2808 507
	Canada only	6	—	—	—	—	—	—	1	—	—	—	—	2808 507
	383, 440 Eng.	8	—	1	1	1	1	1	1	1	1	1	1	2808 509
	426 Eng.	8	—	—	—	1	1	—	—	—	—	—	—	2808 510
10-07-7	COVER, Pump	6	1	1	1	1	1	1	1	—	—	—	—	2463 986
	273, 318, 340 Eng.	8	1	1	1	1	1	1	1	—	—	—	—	2206 095
10-07-8	GASKET, Cover		1	1	1	1	1	1	1	1	1	1	1	2268 921

TYPE LETTERS Indicates V - Valiant R - Belvedere P - Plymouth C - Chrysler
 B - Barracuda L - Dart W - Coronet D - Dodge Y - Imperial

AR Indicates use as required.

Indicates parts not listed in any previous parts book.

Numerals in parentheses () refer to notes.

★ Indicates change or addition.

Printed in U.S.A.

January 1971

CODE	PART NAME	ENG. TYPE OR CU.IN.	V	B	L	R	W	P	D	C	C	C	Y	PART NUMBER
			1-2	1-2	1-2	1-2	1-2	1-2	1-2	1	2	3	1	
10-07-0 OIL PUMP Cont'd.														
10-07-10	BODY, Pump, 383, 440 Eng. 426 Eng.	8	1	1	1	1	1	1	1	1	1	1	—	1737 718
		8	—	—	—	1	1	—	—	—	—	—	—	2780 639
10-07-11	GASKET, Pump Body Canada only	6	1	1	1	1	1	1	—	—	—	—	—	2121 404
		6	—	—	—	—	—	—	1	—	—	—	—	2121 404
10-07-12	SEAL, Pump Body, 383, 426, 440 Eng.	8	—	1	1	1	1	1	1	1	1	1	1	1855 328
10-07-14	SHIELD, Pump Body Splash Canada only	6	1	1	1	1	1	1	—	—	—	—	—	2468 645
		6	—	—	—	—	—	—	1	—	—	—	—	2468 645
10-09-0 OIL PUMP DRIVE SHAFT														
10-09-1	SHAFT, w/ROTOR, 273, 318, 340 Eng.	8	1	1	1	1	1	1	1	—	—	—	—	2121 530
10-09-5	SHAFT and DISTRIBUTOR DRIVE, w/GEAR, 273, 318, 340 Eng.	8	1	1	1	1	1	1	1	—	—	—	—	2121 535
	273, 318, 340 Eng., Canada Built	8	1	1	1	1	1	1	1	—	—	—	—	2402 136
	383, 426, 440 Eng.	8	—	1	1	1	1	1	1	1	1	1	1	1739 604
10-09-7	BUSHING, Shaft	8	1	1	1	1	1	1	1	1	1	1	1	2863 584
10-10-0 OIL PUMP DRIVE GEAR														
10-10-1	GEAR Canada only	6	1	1	1	1	1	1	—	—	—	—	—	1947 225
		6	—	—	—	—	—	—	1	—	—	—	—	1947 225
10-14-0 OIL PUMP ROTOR														
10-14-18	ROTOR, Outer, 273, 318, 340 Eng.	8	1	1	1	1	1	1	1	—	—	—	—	2121 531
10-22-0 OIL PRESSURE RELIEF VALVE														
10-22-11	PLUNGER Canada only	6	1	1	1	1	1	1	—	—	—	—	—	2406 580
		6	—	—	—	—	—	—	1	—	—	—	—	2406 580
	273, 318, 340 Eng.	8	1	1	1	1	1	1	—	—	—	—	—	2843 208
	383, 426, 440 Eng.	8	—	1	1	1	1	1	1	1	1	1	1	2463 541
10-22-15	SPRING Canada only	6	1	1	1	1	1	1	—	—	—	—	—	1737 742
		6	—	—	—	—	—	—	1	—	—	—	—	1737 742
	273, 318, 340 Eng.	8	1	1	1	1	1	1	—	—	—	—	—	2264 587
	383, 440 Eng.	8	—	1	1	1	1	1	1	1	1	1	1	1737 742
	426 Eng.	8	—	—	—	1	1	—	—	—	—	—	—	2406 677
10-22-16	DAMPER, 383, 426, 440 Eng.	8	—	1	1	1	1	1	1	1	1	1	1	2202 845
10-22-40	CAP Canada only	6	1	1	1	1	1	1	—	—	—	—	—	618 621
		6	—	—	—	—	—	—	1	—	—	—	—	618 621
	273, 318, 340 Eng.	8	1	1	1	1	1	1	—	—	—	—	—	2806 273
	383, 426, 440 Eng.	8	—	1	1	1	1	1	1	1	1	1	1	618 621
10-22-41	GASKET Canada only	6	1	1	1	1	1	1	1	1	1	1	1	618 622
		6	—	—	—	—	—	—	1	—	—	—	—	618 622
10-23-0 OIL STRAINER														
10-23-7	STRAINER, w/PIPE	6	1	1	1	—	—	—	—	—	—	—	—	2780 999
		6	—	—	—	1	1	—	—	—	—	—	—	2658 696
		6	—	—	—	—	—	1	—	—	—	—	—	2463 606
	Canada only	6	—	—	—	—	—	—	1	—	—	—	—	2463 606
	273, 318, 340 Eng.	8	1	1	1	1	1	1	—	—	—	—	—	2468 849
	383 Eng.	8	—	1	1	—	—	—	—	—	—	—	—	2946 751
	383 Eng., R-M, W-M, w/o Air Cond.	8	—	—	—	1	1	—	—	—	—	—	—	2899 807
	383 Eng., 4 bbl. Carb., w/4 Speed Trans., w/o Air Cond.	8	—	—	—	1	1	—	—	—	—	—	—	2899 807
	383 Eng., w/Auto. Trans., w/or w/o Air Cond.	8	—	—	—	1	1	—	—	—	—	—	—	2898 807
	426 Eng.	8	—	—	—	1	1	—	—	—	—	—	—	2899 806
	440 Eng.	8	—	—	—	1	1	—	—	—	—	—	—	2899 807
	383 Eng.	8	—	—	—	—	—	1	1	1	1	1	—	2532 264

TYPE LETTERS Indicates

B - Barracuda

V - Valiant
L - DartR - Belvedere
W - CoronetP - Plymouth
D - DodgeC - Chrysler
Y - Imperial

AR Indicates use as required.

Indicates parts not listed in any previous parts book.

Numerals in parentheses () refer to notes.

★ Indicates change or addition.

Printed in U.S.A.
January 1971

CODE	PART NAME	ENG. TYPE OR CU.IN.	V	B	L	R	W	P	D	C	C	C	Y	PART NUMBER
			1-2	1-2	1-2	1-2	1-2	1-2	1-2	1	2	3	1	
10-23-0 OIL STRAINER Cont'd.														
10-23-7	STRAINER Cont'd.													
	440 Eng., w/o H/Perf.	8	—	—	—	—	—	—	1	1	1	1	1	2532 264
	440 Eng., w/H/Perf.	8	—	—	—	—	—	—	1	1	1	1	—	2899 808
10-24-0 OIL PAN														
10-24-1	GASKET SET	6	1	1	1	1	1	1	—	—	—	—	—	2240 647
	Canada only	6	—	—	—	—	—	—	1	—	—	—	—	2240 647
	273, 318, 340 Eng.	8	1	1	1	1	1	1	1	—	—	—	—	1879 520
10-24-4	PAN, w/o Drain Plug	6	1	1	1	—	—	—	—	—	—	—	—	2780 904
		6	—	—	—	1	1	—	—	—	—	—	—	2532 284
		6	—	—	—	—	—	1	—	—	—	—	—	2463 594
	Canada only	6	—	—	—	—	—	—	1	—	—	—	—	2463 594
	273, 318, 340 Eng.	8	1	1	1	1	1	1	1	—	—	—	—	2806 393
	383 Eng.	8	—	1	1	—	—	—	—	—	—	—	—	2946 706
	383, 440 Eng.	8	—	—	—	1	1	—	—	—	—	—	—	2532 401
	383, 440 Eng.	8	—	—	—	—	—	1	1	1	1	1	1	2532 186
	426 Eng.	8	—	—	—	1	1	—	—	—	—	—	—	2780 547
10-24-8	GASKET, 383, 426, 440 Eng.	8	—	AR	AR	AR	AR	AR	AR	AR	AR	AR	AR	2658 685
10-24-23	SCREW, w/WASHER, Pan Attaching, 5/16" - 18 x 9/16"		AR	AR	AR	AR	AR	AR	AR	AR	AR	AR	AR	2121 573
	5/16" - 18 x 13/16"		AR	AR	AR	AR	AR	AR	AR	—	—	—	—	1947 953
10-24-30	BAFFLE, w/BRACKET, C/Shaft Oil Scrapper, 340 Eng.	8	—	1	1	—	—	—	—	—	—	—	—	2531 945
	383 Eng.	8	—	1	1	—	—	—	—	—	—	—	—	2863 983
	R-M, W-M, 383 Eng., w/4 Speed Trans., w/o A/Cond.	8	—	—	—	1	1	—	—	—	—	—	—	2863 983
	426, 440 Eng., w/H/Perf.	8	—	—	—	1	1	1	1	1	1	1	—	2863 983
	SCREW, W/WASHER, Baffle Attaching		—	4	4	—	—	—	—	—	—	—	—	6023 092
10-24-37	PLUG, Drain		1	1	1	1	1	1	1	1	1	1	1	2125 890
10-24-38	GASKET, Drain Plug		1	1	1	1	1	1	1	1	1	1	1	2268 513
10-26-0 OIL FILTER														
10-26-5	ADAPTER, Base to Filter, 273, 318, 340 Eng.	8	1	1	1	—	—	—	—	—	—	—	—	2206 372
	Cover to Filter, 383, 426, 440 Eng.	8	—	1	1	1	1	1	1	1	1	1	1	1739 619
	Filter to Cylinder Block, 318 Eng.	8	—	—	—	1	1	1	1	—	—	—	—	2206 372
	PLATE, Filter Adapter, 318 Eng.	8	—	—	—	1	1	1	1	—	—	—	—	2402 103
10-26-6	FILTER, Sealed Can Type, w/Built-In GASKET		1	1	1	1	1	1	1	1	1	1	1	1851 658
	Competition Type, for All High-Speed Competitive Events		1	1	1	1	1	1	1	1	1	1	1	2536 186
	Replaceable Cartridge Type, includes CARTRIDGE	6	1	1	1	1	1	1	—	—	—	—	—	2532 756
	Canada only	6	—	—	—	—	—	—	1	—	—	—	—	2532 756
	273, 318, 340 Eng.	8	1	1	1	1	1	1	1	—	—	—	—	2532 756
10-26-8	CARTRIDGE	6	1	1	1	1	1	1	—	—	—	—	—	2532 752
	Canada only	6	—	—	—	—	—	—	1	—	—	—	—	2532 752
	273, 318, 340 Eng.	8	1	1	1	1	1	1	1	—	—	—	—	2532 752
10-26-12	BASE, Filter, 273, 318, 340 Eng.	8	1	1	1	—	—	—	—	—	—	—	—	2951 996
	383, 440 Eng.	8	—	1	1	1	1	1	1	1	1	1	1	2465 090
	426 Eng.	8	—	—	—	1	1	—	—	—	—	—	—	2465 091
10-26-13	SCREW, Base, 273, 318, 340 Eng.	8	1	1	1	—	—	—	—	—	—	—	—	2468 593
10-26-18	GASKET, Filter Body	6	1	1	1	1	1	1	—	—	—	—	—	2532 753
	Canada only	6	—	—	—	—	—	—	1	—	—	—	—	2532 753
	273, 318 Eng.	8	1	1	1	1	1	1	1	—	—	—	—	2532 753

TYPE LETTERS Indicates

B - Barracuda

V - Valiant
L - Dart

R - Belvedere
W - Coronet

P - Plymouth
D - Dodge

C - Chrysler
Y - Imperial

AR Indicates use as required.

Indicates parts not listed in any previous parts book.

Numerals in parentheses () refer to notes.

★ Indicates change or addition.

Printed in U.S.A.
January 1971

1969 PASSENGER CAR PARTS CATALOG

ENGINE OILING

CODE	PART NAME	ENG. TYPE OR CU.IN.	V	B	L	R	W	P	D	C	C	C	Y	PART NUMBER
			1-2	1-2	1-2	1-2	1-2	1-2	1-2	1	2	3	1	
10-26-0 OIL FILTER Cont'd.														
10-26-20	SEAL, Filter Base Screw, 273, 318, 340 Eng.		1	1	1	—	—	—	—	—	—	—	—	2463 512
10-26-26	COVER and DECAL Canada only	6	1	1	1	1	1	1	—	—	—	—	—	2806 671
	273, 318 Eng.	6	—	—	—	—	—	—	1	—	—	—	—	2806 671
10-26-27	GASKET, Filter Cover	8	1	1	1	1	1	1	1	—	—	—	—	2806 671
	Canada only	6	1	1	1	1	1	1	—	—	—	—	—	2532 754
	273, 318 Eng.	6	—	—	—	—	—	—	1	—	—	—	—	2532 754
	Filter Adapter Plate, 273, 318, 340 Eng.	8	1	1	1	1	1	1	1	—	—	—	—	2532 754
10-26-46	STANDPIPE, w/VALVE	6	1	1	1	1	1	1	—	—	—	—	—	1557 575
	Canada only	6	—	—	—	—	—	—	1	—	—	—	—	2402 607
10-26-52	GASKET, Standpipe Adapter	6	1	1	1	1	1	1	—	—	—	—	—	2402 607
	Canada only	6	—	—	—	—	—	—	1	—	—	—	—	2120 017
10-26-65	GASKET, Filter Base Screw, 273, 318, 340 Eng.		1	1	1	—	—	—	—	—	—	—	—	2120 017
			1	1	1	—	—	—	—	—	—	—	—	1557 581

NOTES

TYPE LETTERS Indicates

B - Barracuda

V - Valiant
L - Dart

R - Belvedere
W - Coronet

P - Plymouth
D - Dodge

C - Chrysler
Y - Imperial

AR Indicates use as required.

Indicates parts not listed in any previous parts book.

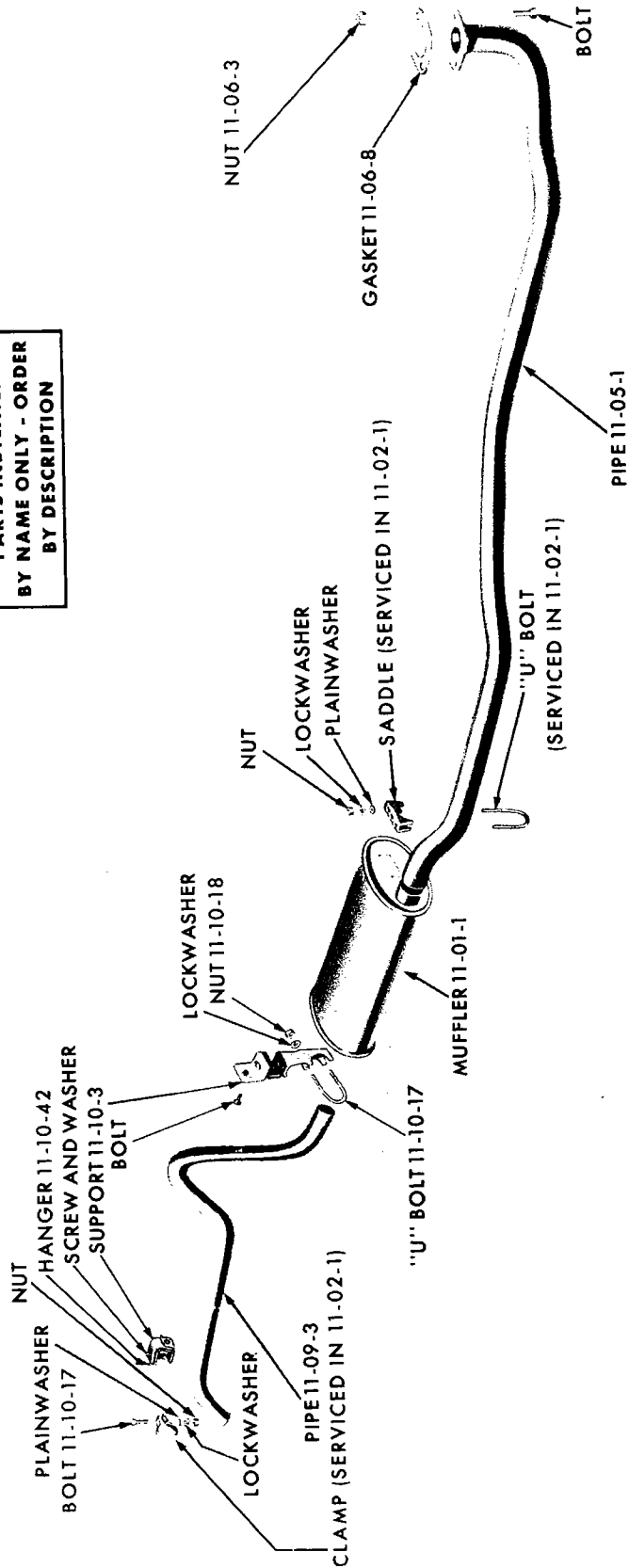
Numerals in parentheses () refer to notes.

★ Indicates change or addition.

Printed in U.S.A.
January 1971

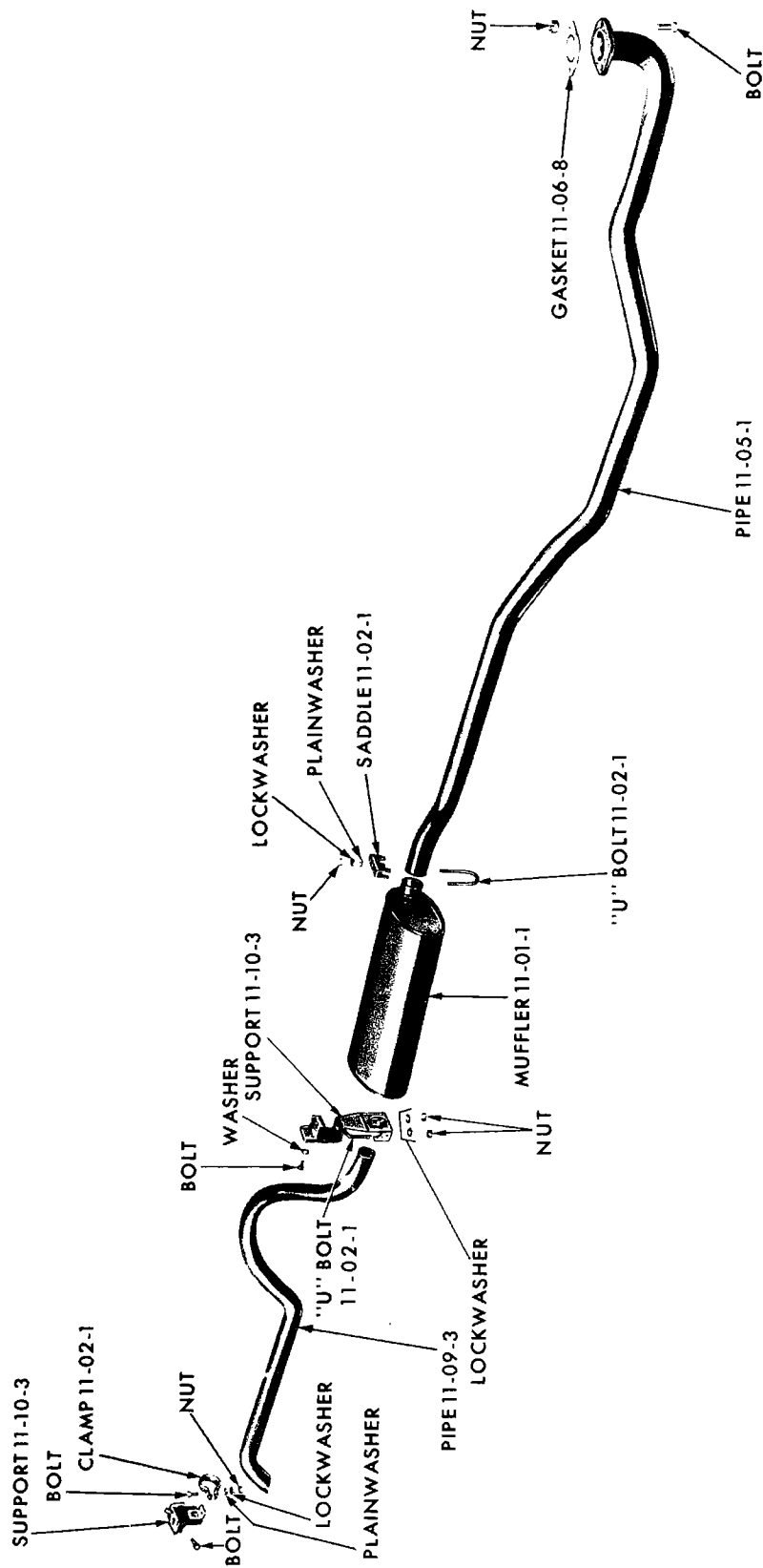
GROUP 11 - EXHAUST

PARTS INDICATED
BY NAME ONLY - ORDER
BY DESCRIPTION



19x8748E

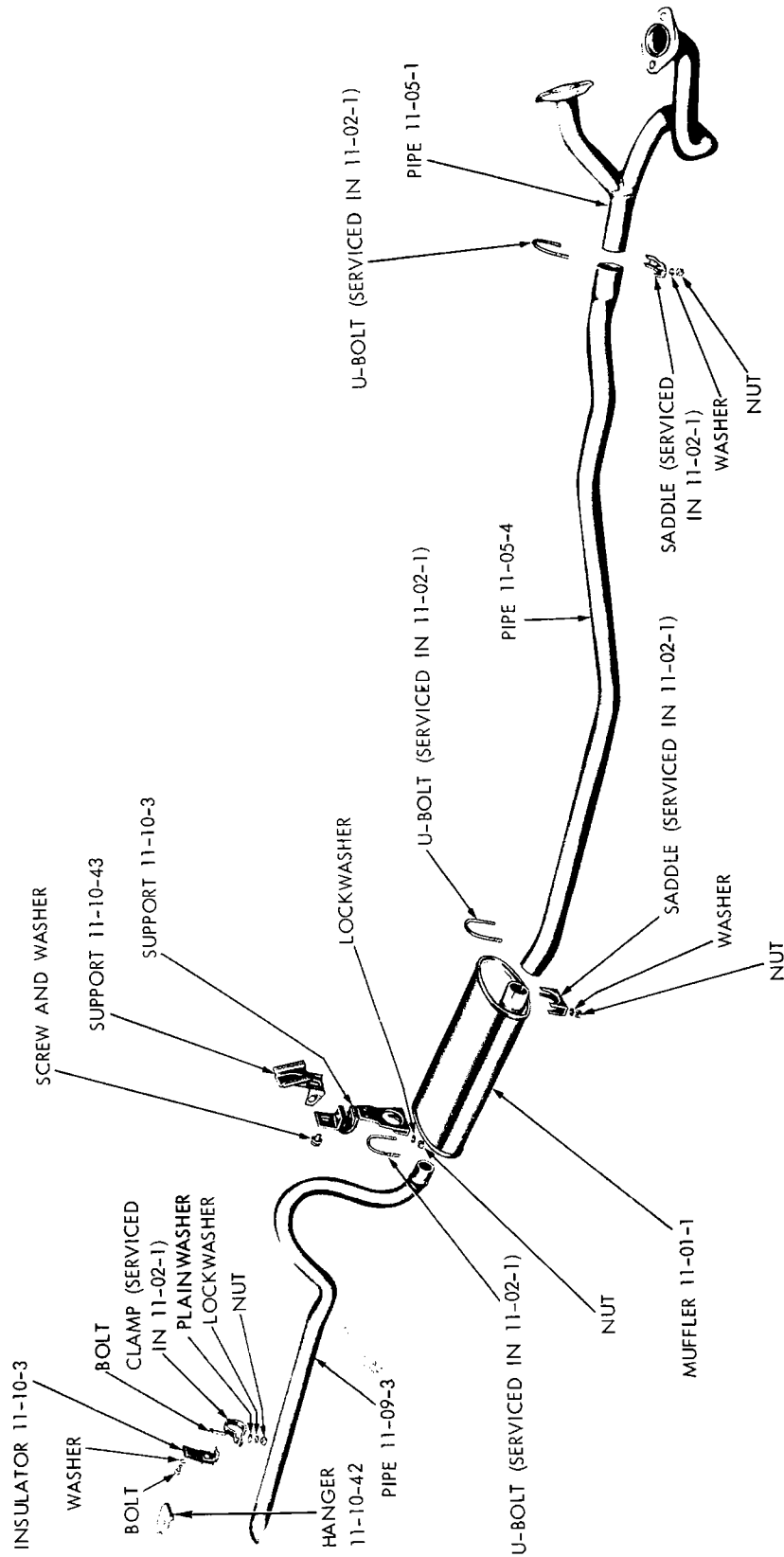
SINGLE EXHAUST (6 CYLINDER) - VALIANT, BARRACUDA AND DART



**PARTS INDICATED
BY NAME ONLY - ORDER
BY DESCRIPTION**

19x8644D

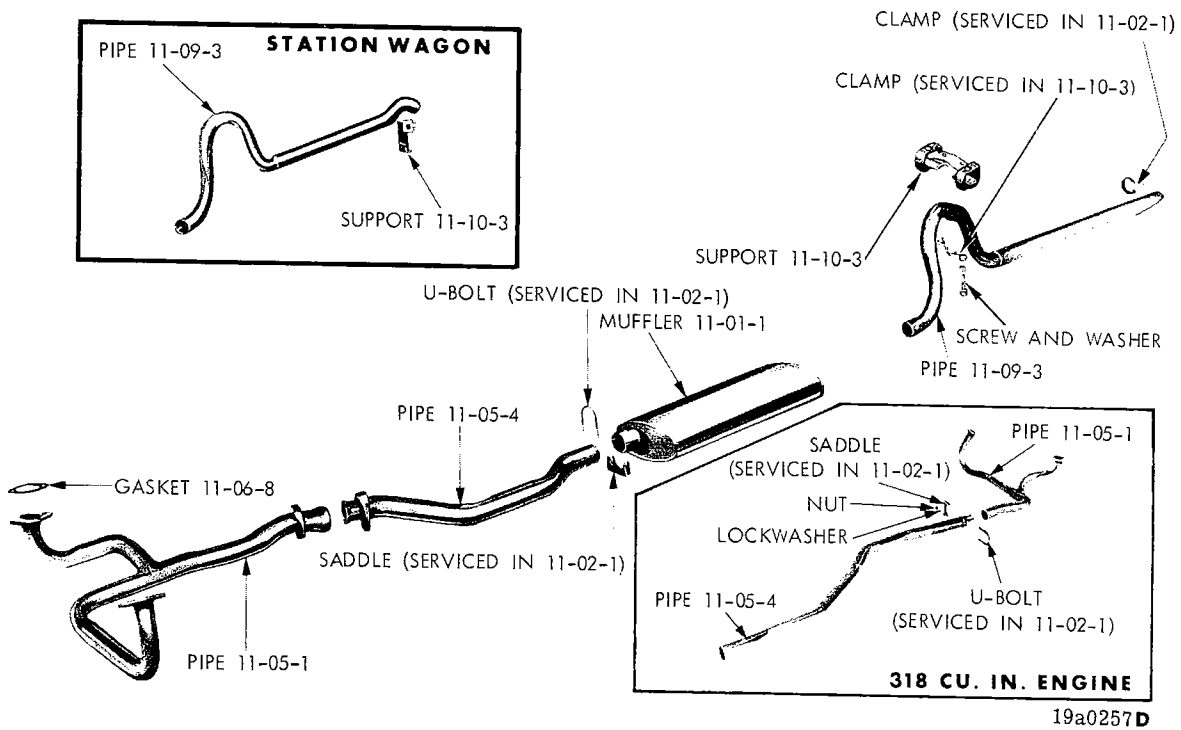
SINGLE EXHAUST (6 CYLINDER) - BELVEDERE, CORONET AND PLYMOUTH FURY



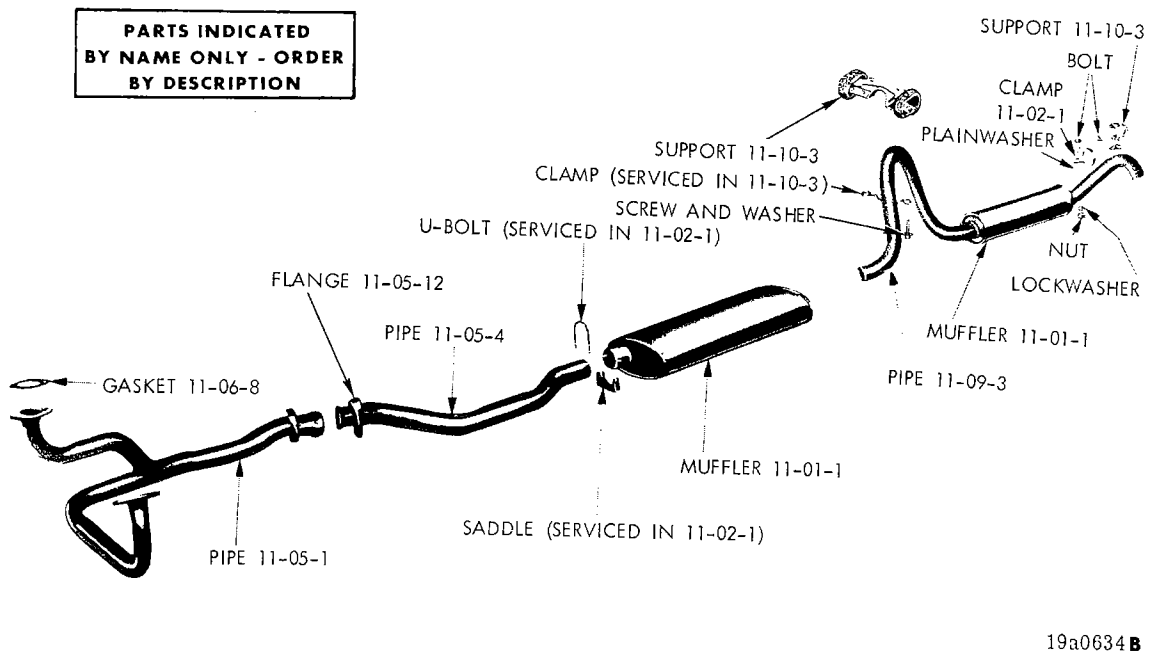
**PARTS INDICATED
 BY NAME ONLY - ORDER
 BY DESCRIPTION**

19x9987 E

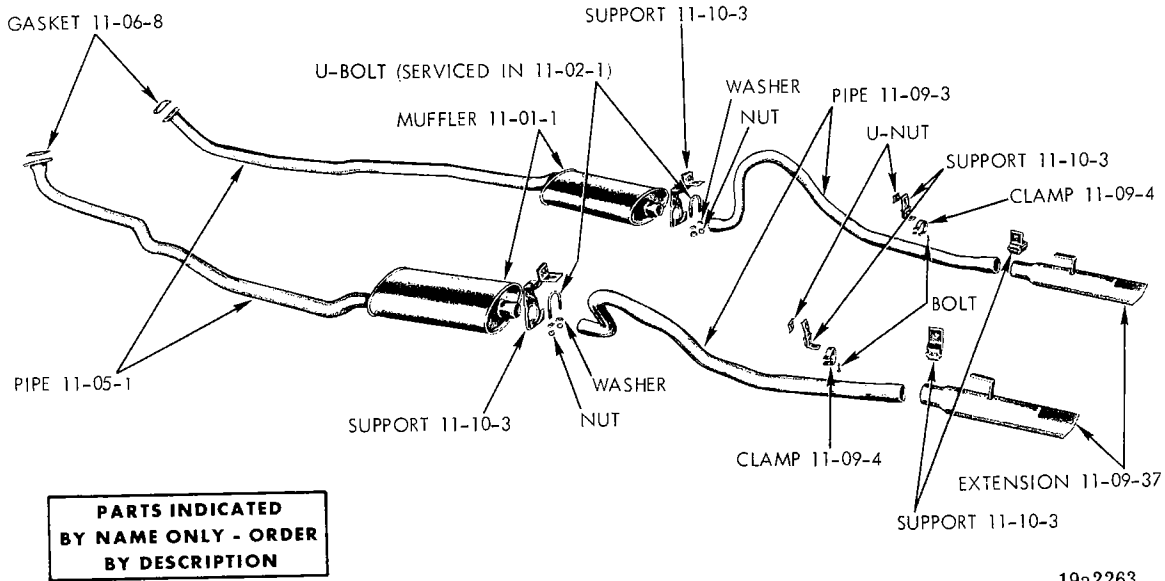
SINGLE EXHAUST (8 CYLINDER-273 AND 318 ENGINE) - VALIANT, BARRACUDA AND DART



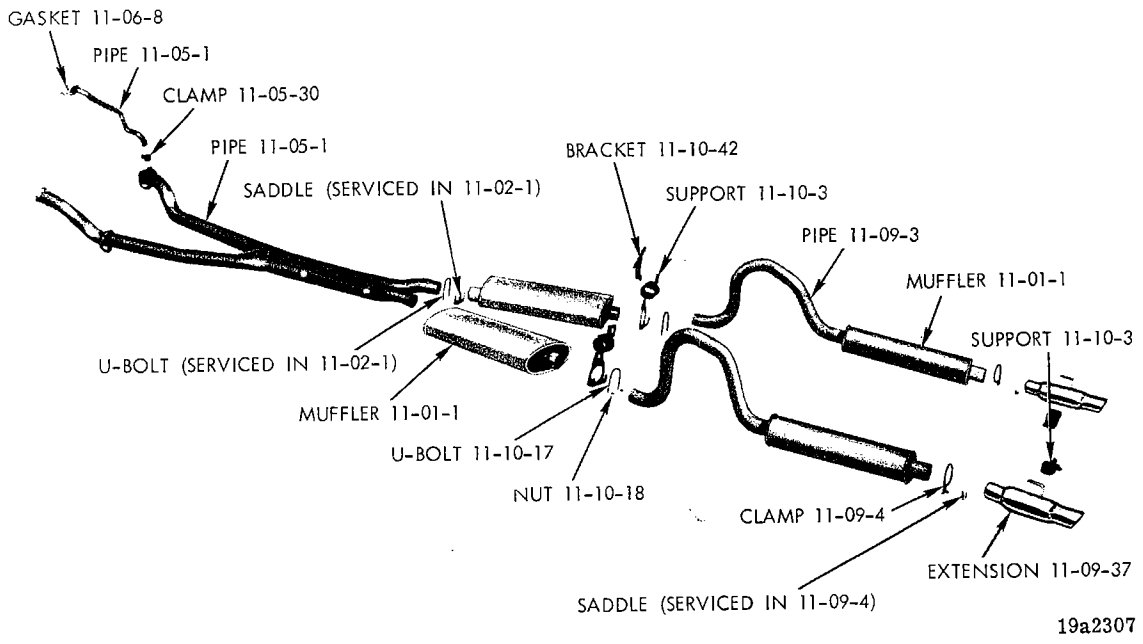
SINGLE EXHAUST (8 CYLINDER) - 383 ENGINE



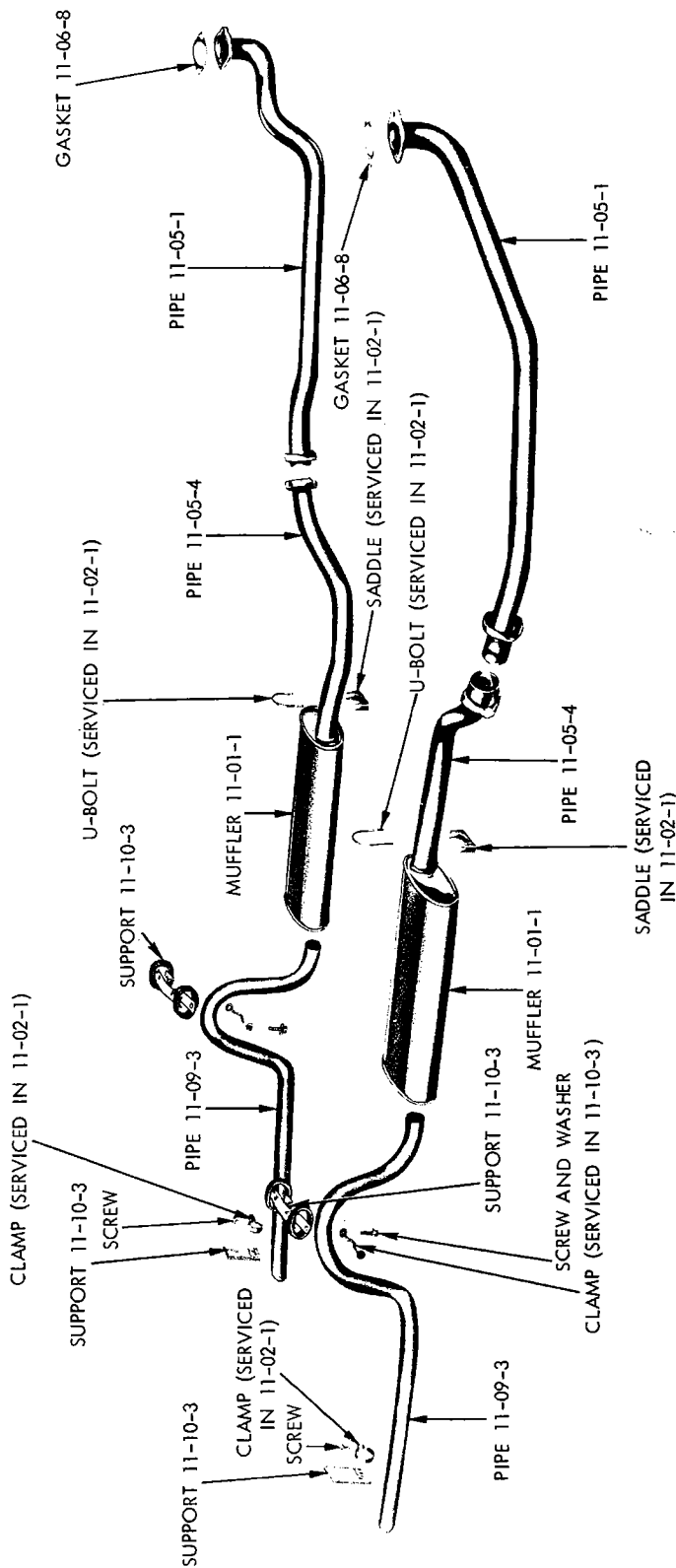
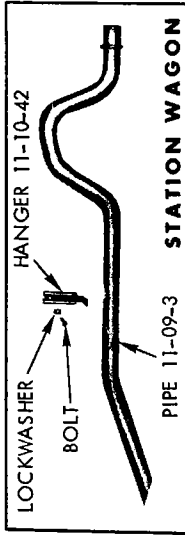
SINGLE EXHAUST (8 CYLINDER) - 440 ENGINE



DUAL EXHAUST (8 CYLINDER-340 AND 383 ENGINE) - BARRACUDA AND DART



DUAL EXHAUST (8 CYLINDER-426 ENGINE) - BELVEDERE AND CORONET



**PARTS INDICATED
BY NAME ONLY - ORDER
BY DESCRIPTION**

19a0159B

DUAL EXHAUST (8 CYLINDER-383 AND 440 ENGINE) - PLYMOUTH AND DODGE (EXCEPT CORONET AND CHRYSLER)

CODE	PART NAME	ENG. TYPE OR CU.IN.	V	B	L	R	W	P	D	C	C	C	Y	PART NUMBER
			1-2	1-2	1-2	1-2	1-2	1-2	1-2	1	2	3	1	
11-01-0 MUFFLER SINGLE EXHAUST														
11-01-1	MUFFLER	Aluminized	6	1	1	1	—	—	—	—	—	—	—	2856 236
		Zinc Coated	6	1	1	1	—	—	—	—	—	—	—	2856 237
	w/225 Eng., Export	Aluminized	6	1	1	1	—	—	—	—	—	—	—	2856 234
		Zinc Coated	6	1	1	1	—	—	—	—	—	—	—	2856 235
	w/273 and 318 Eng.	Aluminized	8	1	—	1	—	—	—	—	—	—	—	2460 823
		Zinc Coated	8	1	—	1	—	—	—	—	—	—	—	2460 824
	w/318 Eng.	Aluminized	8	—	1	—	—	—	—	—	—	—	—	2460 823
		Zinc Coated	8	—	1	—	—	—	—	—	—	—	—	2460 824
	w/318 Eng.	Aluminized	6	—	—	—	1	1	—	—	—	—	—	2781 263
		Zinc Coated	6	—	—	—	1	1	—	—	—	—	—	2781 264
	w/318 Eng.	Aluminized	8	—	—	—	1	1	—	—	—	—	—	2781 265
		Zinc Coated	8	—	—	—	1	1	—	—	—	—	—	2781 266
	w/383 Eng., w/2 Bbl.	Carburetor	8	—	—	—	1	1	—	—	—	—	—	2925 771
		Aluminized	8	—	—	—	1	1	—	—	—	—	—	2883 912
	w/318 Eng.	Zinc Coated	8	—	—	—	1	1	—	—	—	—	—	2534 430
		Aluminized	6	—	—	—	—	1	1	—	—	—	—	2534 440
	w/318 Eng.	Zinc Coated	6	—	—	—	—	1	1	—	—	—	—	2534 431
		Aluminized	8	—	—	—	—	1	1	—	—	—	—	2534 441
	w/383 Eng., w/2 Bbl. Carburetor	Zinc Coated	8	—	—	—	—	1	1	—	—	—	—	2925 658
		Aluminized	8	—	—	—	—	1	1	1	—	—	—	2925 659
	Rr. Muffler, w/Tail Pipe, w/383 Eng., w/2 Bbl. Carburetor, except Sta. Wgn.	Zinc Coated	8	—	—	—	—	—	1	1	—	—	—	2925 622
		Aluminized	8	—	—	—	—	—	—	—	1	1	1	2925 799
	Rr. Muffler, w/440 Eng., Std. W/440 Eng., Std.	Aluminized	8	—	—	—	—	—	—	—	1	1	1	2660 518
		Zinc Coated	8	—	—	—	—	—	—	—	—	1	1	1

DUAL EXHAUST

w/340 and 383 Eng.	Aluminized Rt.	8	—	1	1	—	—	—	—	—	—	—	—	2925 654
	Aluminized Lt.	8	—	1	1	—	—	—	—	—	—	—	—	2925 653
w/383 Eng., w/1-4 Bbl. Carburetor	Zinc Coated	8	—	2	2	—	—	—	—	—	—	—	—	2925 655
	Aluminized	8	—	—	—	1	1	—	—	—	—	—	—	2883 910-1
Rr. Muffler, w/426 Eng., except Sta. Wgn.	Zinc Coated	8	—	—	—	2	2	—	—	—	—	—	—	2883 923
	Aluminized	8	—	—	—	2	2	—	—	—	—	—	—	2781 300
426 Eng., except Sta. Wgn.	Zinc Coated	8	—	—	—	2	2	—	—	—	—	—	—	2781 300
	Aluminized	8	—	—	—	2	2	—	—	—	—	—	—	2781 300
w/440 Eng., w/H/Perf., R-S, W-S	Zinc Coated	8	—	—	—	—	—	—	—	—	—	—	—	2925 824-5
	Aluminized	8	—	—	—	—	—	1	1	1	—	—	—	2925 797
w/383 Eng., w/1-4 Bbl. Carburetor	Zinc Coated	8	—	—	—	—	—	2	2	2	2	2	—	2925 824-5
	Aluminized	8	—	—	—	—	—	1	1	1	1	1	—	2925 797
w/440 Eng., Std., C-P	Zinc Coated	8	—	—	—	—	—	2	2	2	2	2	—	2925 824-5
	Aluminized	8	—	—	—	—	—	—	—	—	—	—	—	2925 797
w/440 Eng., w/H/Perf., except Sta. Wgn.	Zinc Coated	8	—	—	—	—	—	1	1	—	—	—	—	2962 123-4
	Aluminized	8	—	—	—	—	—	2	2	—	—	—	—	2962 125
w/440 Eng., w/H/Perf., C-E, C-L	Zinc Coated	8	—	—	—	—	—	—	—	1	1	1	—	2925 824-5
	Aluminized	8	—	—	—	—	—	—	—	2	2	2	—	2925 797

TYPE LETTERS Indicates

B - Barracuda

V - Valiant
L - Dart

R - Belvedere
W - Coronet

P - Plymouth
D - Dodge

C - Chrysler
Y - Imperial

AR Indicates use as required.

Indicates parts not listed in any previous parts book.

Numerals in parentheses () refer to notes.

★ Indicates change or addition.

Printed in U.S.A.
January 1971

CODE	PART NAME	ENG. TYPE OR CU.IN.	V	B	L	R	W	P	D	C	C	C	Y	PART NUMBER
			1-2	1-2	1-2	1-2	1-2	1-2	1-2	1	2	3	1	
11-02-0 MUFFLER SUPPORT SINGLE EXHAUST														
11-02-1	CLAMP PACKAGE, Tail Pipe Rear Support	6	1	1	1	1	1	—	—	—	—	—	—	2240 311
	w/273 and 318 Eng.	8	1	—	1	—	—	—	—	—	—	—	—	2279 897
	w/318 Eng.	8	—	1	—	1	1	—	—	—	—	—	—	2279 897
	w/383 Eng., w/2 Bbl. Carb.	8	—	—	—	1	1	—	—	—	—	—	—	2240 312
	w/318 Eng.	6	—	—	—	—	—	1	—	—	—	—	—	2279 897
	w/383 Eng., w/2 Bbl. Carb.	8	—	—	—	—	—	1	1	—	—	—	—	2240 312
	w/383 Eng., w/2 Bbl. Carb., except Sta. Wgn.	8	—	—	—	—	—	1	—	—	—	—	—	2585 698
	w/383 Eng., w/2 Bbl. Carb., Sta. Wgn.	8	—	—	—	—	—	—	1	1	—	—	—	2240 312
	w/440 Eng., Std.	8	—	—	—	—	—	—	—	—	1	1	1	2585 698
	Exhaust Pipe Brace	6	1	1	1	—	—	—	—	—	—	—	—	1843 010
	Rr. Muffler Tail Pipe, w/440 Eng., Std.	8	—	—	—	—	—	—	—	—	1	1	1	1603 364
	Muffler Exhaust Pipe	6	1	1	1	1	1	—	—	—	—	—	—	1843 010
		6	—	—	—	—	—	1	—	—	—	—	—	1843 008
	Muffler Exhaust Tail Pipe	6	—	—	—	—	—	—	1	—	—	—	—	1710 269
	Muffler Exhaust Extension Pipe, w/273 and 318 Eng.	6	—	—	—	—	—	—	1	—	—	—	—	1710 268
	w/318 Eng.	8	1	—	1	—	—	—	—	—	—	—	—	1843 008
	w/383 Eng., w/2 Bbl. Carb.	8	—	1	—	1	1	—	—	—	—	—	—	1843 008
	w/318 Eng.	8	—	—	—	—	—	1	1	—	—	—	—	1603 364
	w/440 Eng., Std.	8	—	—	—	—	—	—	—	1	1	1	—	1603 364
	Muffler Tail Pipe	6	—	—	—	—	—	1	—	—	—	—	—	1603 364
	w/318 Eng.	8	—	—	—	—	—	1	1	—	—	—	—	1843 010
	w/383 Eng., w/2 Bbl. Carb.	8	—	—	—	—	—	1	1	1	—	—	—	1843 008
	w/318, 383 and 440 Eng.	8	—	—	—	—	—	—	AR	—	—	—	—	1603 364
	Tail Pipe Rr. Support	6	—	—	—	—	—	—	1	—	—	—	—	1710 269
	w/440 Eng., Std.	8	—	—	—	—	—	—	—	—	1	1	1	1710 268
		8	—	—	—	—	—	—	—	—	1	1	1	1603 364

DUAL EXHAUST

	Muffler Tail Pipe Rear Support, w/383 Eng., w/1-4 Bbl. Carb.	8	—	—	—	2	2	2	2	2	—	—	—	2240 312
	w/440 Eng., Std.	8	—	—	—	—	—	2	2	—	—	—	—	2240 312
	w/440 Eng., w/H/Perf., except Sta. Wgn.	8	—	—	—	—	—	2	2	—	—	—	—	2585 698
	w/440 Eng.	8	—	—	—	—	—	—	2	2	2	—	—	2240 312
	Tail Pipe Resonator, w/426 Eng., except Sta. Wgn.	8	—	—	—	2	2	—	—	—	—	—	—	1603 364
	Muffler Exhaust Pipe, w/340 and 383 Eng.	8	—	2	2	—	—	—	—	—	—	—	—	1603 364
	w/383 Eng., w/1-4 Bbl. Carb.	8	—	—	—	2	2	—	—	—	—	—	—	1603 364
	Muffler Exhaust Extension Pipe, w/383 and 440 Eng.	8	—	—	—	—	—	2	2	2	2	—	—	1603 364
	Muffler Tail Pipe, w/383 Eng., w/1-4 Bbl. Carb.	8	—	—	—	—	—	2	2	—	—	—	—	1603 364
	w/440 Eng., Std.	8	—	—	—	—	—	2	2	—	—	—	—	1843 008
	w/440 Eng., w/H/Perf., except Sta. Wgn.	8	—	—	—	—	—	2	2	—	—	—	—	1843 008
		8	—	—	—	—	—	—	2	2	—	—	—	1603 364
		8	—	—	—	—	—	—	—	2	2	2	—	1843 008

TYPE LETTERS Indicates

B - Barracuda

V - Valiant
L - DartR - Belvedere
W - CoronetP - Plymouth
D - DodgeC - Chrysler
Y - Imperial

AR Indicates use as required.

Indicates parts not listed in any previous parts book.

Numerals in parentheses () refer to notes.

★ Indicates change or addition.

Printed in U.S.A.
January 1971

CODE	PART NAME	ENG. TYPE OR CU.IN.	V	B	L	R	W	P	D	C	C	C	Y	PART NUMBER
			1-2	1-2	1-2	1-2	1-2	1-2	1-2	1	2	3	1	
11-05-0 EXHAUST PIPE SINGLE EXHAUST														
11-05-1	PIPE, Exhaust, w/170 Eng.	6	1											2856 011
	w/225 Eng.	6	1	1										2856 204
	w/225 Eng., Export	6	1											2856 213
	w/170 Eng., Export	6		1										2856 011
	w/170 Eng.	6			1									2856 201
	w/225 Eng.	6			1									2856 207
	w/273 and 318 Eng.	8	1		1									2856 242
	w/318 Eng.	8		1										2856 242
	Std. 225 Eng.	6				1	1							2883 900
	Heavy Duty 225 Eng., w/Auto. Trans.	6				1	1							2883 900
	Heavy Duty 225 Eng., w/3 Speed Manual Trans., Column Shift	6				1	1							2643 591
	w/318 Eng.	8				1	1							2643 506
	w/383 Eng., w/2 Bbl. Carburetor, w/Auto. Trans.	8				1	1							2643 514
	Std. 225 Eng., except Sta. Wgn.	6						1						2883 903
	Std. 225 Eng., Sta. Wgn.	6						1						2883 906
	Heavy Duty 225 Eng., w/Auto. Trans., except Sta. Wgn.	6						1						2883 903
	Heavy Duty 225 Eng., w/Auto. Trans., Sta. Wgn.	6						1						2883 906
	Heavy Duty 225 Eng., w/3 Speed Manual Trans., except Sta. Wgn.	6						1						2643 556
	Heavy Duty 225 Eng., w/3 Speed Manual Trans., Sta. Wgn.	6						1						2643 559
	w/318 Eng.	8						1	1					2823 490
	w/383 Eng., w/2 Bbl. Carburetor, w/3 Speed Manual Trans., C-E, C-L	8						1	1	1				2925 801
	w/383 Eng., w/2 Bbl. Carburetor, w/Auto. Trans.	8						1	1	1				2925 805
	w/440 Eng., Std. Wag., W/A745 Trans.	8						1	1		1	1	1	2925 807
	Canada	6						1						2643 559
	Wag., N/U, w/A745 Trans.	Canada	6					1						2883 906
	Exc. Wag., w/A745 Trans.	Canada	6					1						2643 556
	Exc. Wag., N/U, w/A745 Trans.	Canada	6					1						2883 903
	w/340 Eng.	Rt. 8		1										2925 779
		Lt. 8		1										2925 776
	w/383 Eng., w/1-4 Bbl. Carburetor	Rt. 8		1										2925 788
		Lt. 8		1										2925 785
	w/340 Eng.	Rt. 8			1									2925 783
		Lt. 8			1									2925 781
	w/383 Eng., w/1-4 Bbl. Carburetor	Rt. 8			1									2925 792
		Lt. 8			1									2925 790
	w/383 Eng., w/1-4 Bbl. Carburetor	Rt. 8				1	1							2883 852
		Lt. 8				1	1							2883 855
	w/426 Eng., except Sta. Wgn.	8				1	1							2781 270
	Intake Manifold, w/426 Eng., except Sta. Wgn.	8				1	1							2781 278

TYPE LETTERS Indicates B - Barracuda V - Valiant L - Dart R - Belvedere W - Coronet P - Plymouth D - Dodge C - Chrysler Y - Imperial

AR Indicates use as required.
Indicates parts not listed in any previous parts book.

Numerals in parentheses () refer to notes.
★ Indicates change or addition.

Printed in U.S.A.
January 1971

CODE	PART NAME	ENG. TYPE OR CU.IN.	V	B	L	R	W	P	D	C	C	C	Y	PART NUMBER
			1-2	1-2	1-2	1-2	1-2	1-2	1-2	1	2	3	1	
11-05-0	EXHAUST PIPE Cont'd.													
11-05-1	PIPE Cont'd.													
	w/440 Eng., w/H/Perf., R-S, W-S	8	—	—	—	1	1	—	—	—	—	—	—	2856 284
	w/383 Eng., w/1-4 Bbl. Carburetor,													
	Rt.	8	—	—	—	—	—	1	1	1	—	—	—	2856 352
	Lt.	8	—	—	—	—	—	1	1	1	—	—	—	2925 601
	w/440 Eng., Std., C Sta. Wgn.													
	Rt.	8	—	—	—	—	—	1	1	1	—	—	—	2643 573
	Lt.	8	—	—	—	—	—	1	1	1	—	—	—	2925 603
	w/440 Eng., w/H/Perf.													
	Rt.	8	—	—	—	—	—	1	—	—	—	—	—	2962 137
	Lt.	8	—	—	—	—	—	1	—	—	—	—	—	2962 136
	w/440 Eng., w/H/Perf.													
	Rt.	8	—	—	—	—	—	—	1	—	—	—	—	2962 139
	Lt.	8	—	—	—	—	—	—	1	—	—	—	—	2962 138
	w/440 Eng., w/H/Perf., C-E, C-L													
	Rt.	8	—	—	—	—	—	—	—	1	1	1	—	2856 038
	Lt.	8	—	—	—	—	—	—	—	1	1	1	—	2962 170

SINGLE EXHAUST

11-05-4	EXTENSION, Exhaust Pipe,													
	w/273 and 318 Eng.	8	—	—	1	—	—	—	—	—	—	—	—	2925 817
	w/318 Eng.	8	—	—	—	1	1	—	—	—	—	—	—	2925 643
	w/383 Eng., w/2 Bbl. Carburetor	8	—	—	—	1	1	—	—	—	—	—	—	2925 768
	w/318 Eng., except Sta. Wgn.	8	—	—	—	—	—	1	—	—	—	—	—	2925 645
	w/318 Eng., Sta. Wgn.	8	—	—	—	—	—	1	—	—	—	—	—	2925 646
	w/383 Eng., w/2 Bbl. Carburetor,													
	except Sta. Wgn.	8	—	—	—	—	—	1	—	—	—	—	—	2660 511
	w/383 Eng., w/2 Bbl. Carburetor,													
	Sta. Wgn.	8	—	—	—	—	—	1	—	1	—	—	—	2643 550
	w/318 Eng.	8	—	—	—	—	—	—	1	—	—	—	—	2925 646
	w/383 Eng., w/2 Bbl. Carburetor	8	—	—	—	—	—	—	1	—	—	—	—	2643 550
	w/383 Eng., w/2 Bbl. Carb., C-E,C-L	8	—	—	—	—	—	—	—	1	—	—	—	2643 548
	w/440 Eng., Std.	8	—	—	—	—	—	—	—	—	1	1	1	2643 548

DUAL EXHAUST

	w/383 Eng., w/1-4 Bbl. Carburetor,													
	except Sta. Wgn.	Rt.	8	—	—	—	—	1	—	—	—	—	—	2643 542
		Lt.	8	—	—	—	—	1	—	—	—	—	—	2925 610
	w/383 Eng., w/1-4 Bbl. Carburetor,													
	Sta. Wgn.	Rt.	8	—	—	—	—	1	—	1	—	—	—	2643 544
		Lt.	8	—	—	—	—	1	—	1	—	—	—	2925 611
	w/440 Eng., Std., except Sta. Wgn.													
		Rt.	8	—	—	—	—	1	—	—	—	—	—	2643 542
		Lt.	8	—	—	—	—	1	—	—	—	—	—	2925 610
	w/440 Eng., Std., Sta. Wgn.													
		Rt.	8	—	—	—	—	1	—	1	—	—	—	2643 544
		Lt.	8	—	—	—	—	1	—	1	—	—	—	2925 611
	w/383 Eng., w/1-4 Bbl. Carburetor													
		Rt.	8	—	—	—	—	—	1	—	—	—	—	2643 544
		Lt.	8	—	—	—	—	—	1	—	—	—	—	2925 611
	w/440 Eng., Std.													
		Rt.	8	—	—	—	—	—	1	—	—	—	—	2643 544
		Lt.	8	—	—	—	—	—	1	—	—	—	—	2925 611
	w/383 Eng., w/1-4 Bbl. Carburetor,													
	C-E, C-L	Rt.	8	—	—	—	—	—	—	1	—	—	—	2643 546
		Lt.	8	—	—	—	—	—	—	1	—	—	—	2925 612

TYPE LETTERS Indicates

B - Barracuda

V - Valiant
L - Dart

R - Belvedere
W - Coronet

P - Plymouth
D - Dodge

C - Chrysler
Y - Imperial

AR Indicates use as required.

Indicates parts not listed in any previous parts book.

Numerals in parentheses () refer to notes.

★ Indicates change or addition.

Printed in U.S.A.
January 1971

CODE	PART NAME	ENG. TYPE OR CU.IN.	V	B	L	R	W	P	D	C	C	C	Y	PART NUMBER
			1-2	1-2	1-2	1-2	1-2	1-2	1	2	3	1		
11-05-0 EXHAUST PIPE Cont'd.														
11-05-4	EXTENSION Cont'd. w/440 Eng., w/H/Perf, C-E, C-L													
		Rt.	8	—	—	—	—	—	—	1	1	1	—	2643 548
		Lt.	8	—	—	—	—	—	—	1	1	1	—	2925 620
11-05-12	FLANGE, Muffler Exhaust Extension Pipe Ball Joint, w/383 Eng., w/2 Bbl. Carburetor		8	—	—	—	—	—	1	1	1	—	—	1946 639
	w/383 Eng., w/1-4 Bbl. Carburetor		8	—	—	—	—	—	2	2	2	—	—	1946 638
	w/440 Eng., Std., C-P		8	—	—	—	—	—	2	2	2	—	—	1946 638
	w/440 Eng., Std.		8	—	—	—	—	—	—	—	1	1	1	1946 639
	w/440 Eng., w/H/Perf., C-E, C-L		8	—	—	—	—	—	—	2	2	2	—	1946 639
11-05-30	CLAMP, Intake Manifold Exhaust Pipe, w/426 Eng., except Sta. Wgn.		8	—	—	—	1	1	—	—	—	—	—	2781 273

11-06-0 EXHAUST PIPE FLANGE GASKET AND STUD

11-06-3	NUT, Exhaust Pipe Flange		6	2	2	2	2	2	2	—	—	—	—	6024 343
	Exhaust Extension Pipe Clamp		8	2	2	2	2	2	2	—	—	—	—	6027 299
	Exhaust Pipe Clamp, w/426 Eng., except Sta. Wgn.		8	—	—	—	4	4	—	—	—	—	—	6027 299
	Muffler Exhaust Extension Pipe Ball Joint Flange		8	—	—	—	—	—	AR	AR	AR	AR	AR	1946 648
11-06-8	GASKET, Exhaust Pipe Flange		6	1	1	1	1	1	1	—	—	—	—	2465 391
	w/340 and 383 Eng.		8	—	2	2	—	—	—	—	—	—	—	2856 029
	w/383 Eng., w/2 Bbl. Carburetor, w/Auto. Trans.		8	—	—	—	2	2	2	2	2	—	—	2465 391
	w/383 Eng., w/2 Bbl. Carburetor, w/Manual Trans., C-E, C-L		8	—	—	—	—	—	1	1	1	—	—	2465 391
		Rt.	8	—	—	—	—	—	1	1	1	—	—	2856 029
		Lt.	8	—	—	—	—	—	1	1	1	—	—	2856 029
	w/383 Eng., w/1-4 Bbl. Carburetor, C-E, C-L		8	—	—	—	2	2	2	2	2	—	—	2856 029
	Intake Manifold Exhaust Pipe, w/426 Eng., Except Sta. Wgn.		8	—	—	—	1	1	—	—	—	—	—	2780 614
	w/440 Eng., w/H/Perf., except Sta. Wgn., R-S, W-S, C-E, C-L		8	—	—	—	2	2	2	2	2	2	—	2856 029
	w/440 Eng., Std., C-P		8	—	—	—	—	—	2	2	2	2	2	2465 391
11-06-14	RETAINER, Exhaust Pipe Flange Manifold Bolt, w/273 and 318 Eng., up to Dec. 2, 1968		8	4	—	4	—	—	—	—	—	—	—	2530 741
	w/273 and 318 Eng., after Dec. 2, 1968		8	4	—	4	—	—	—	—	—	—	—	3404 043
	w/318 Eng., up to Dec. 2, 1968		8	—	4	—	4	4	4	4	—	—	—	2530 741
	w/318 Eng., after Dec. 2, 1968		8	—	4	—	4	4	4	4	—	—	—	3404 043

11-08-0 EXHAUST PIPE SUPPORT AND CLAMP

11-08-5	BRACE, Exhaust Pipe		6	1	1	1	—	—	—	—	—	—	—	2883 908
	BRACE, Exhaust Pipe	Canada	6	—	—	—	—	—	—	1	—	—	—	2530 790
11-08-24	CLAMP, Exhaust Extension Pipe Saddle, w/273 and 318 Eng.		8	1	—	1	—	—	—	—	—	—	—	2883 916
	w/318 Eng.		8	—	1	—	1	—	—	—	—	—	—	2883 916
	w/383 Eng., w/2 Bbl. Carburetor		8	—	—	—	1	1	—	—	—	—	—	2883 919
	w/318 Eng.		8	—	—	—	—	—	1	1	—	—	—	2883 919
	Muffler Exhaust Pipe Saddle, w/426 Eng., except Sta. Wgn.		8	—	—	—	2	2	—	—	—	—	—	2823 913
	w/440 Eng., w/H/Perf., R-S, W-S		8	—	—	—	2	2	—	—	—	—	—	2823 913

TYPE LETTERS Indicates B - Barracuda V - Valiant L - Dart R - Belvedere W - Coronet P - Plymouth D - Dodge C - Chrysler Y - Imperial

AR Indicates use as required. Numerals in parentheses () refer to notes. Printed in U.S.A. January 1971
Indicates parts not listed in any previous parts book. ★ Indicates change or addition.

CODE	PART NAME	ENG. TYPE OR CU.IN.	V	B	L	R	W	P	D	C	C	C	Y	PART NUMBER
			1-2	1-2	1-2	1-2	1-2	1-2	1-2	1	2	3	1	
11-09-0 TAIL PIPE SINGLE EXHAUST														
11-09-3	PIPE, Tail	6	1	1	1	—	—	—	—	—	—	—	—	2823 949
	w/273 and 318 Eng.	8	1	—	1	—	—	—	—	—	—	—	—	2823 433
	w/318 Eng.	8	—	1	—	—	—	—	—	—	—	—	—	2823 433
	Except Sta. Wgn.	6	—	—	—	1	1	—	—	—	—	—	—	2856 224
	Sta. Wgn.	6	—	—	—	1	1	—	—	—	—	—	—	2643 597
	w/318 Eng., except Sta. Wgn.	8	—	—	—	1	1	—	—	—	—	—	—	2856 286
	w/318 Eng., Sta. Wgn.	8	—	—	—	1	1	—	—	—	—	—	—	2643 607
	w/383 Eng., w/2 Bbl. Carburetor, except Sta. Wgn. up to Oct. 15, 1968	8	—	—	—	1	1	—	—	—	—	—	—	2883 857
	w/383 Eng., w/2 Bbl. Carb., except Sta. Wgn., after Oct. 15, 1968	8	—	—	—	1	1	—	—	—	—	—	—	3404 001
	w/383 Eng., w/2 Bbl. Carburetor, Sta. Wgn., up to Oct. 15, 1968	8	—	—	—	1	1	—	—	—	—	—	—	2883 863
	w/383 Eng., w/2 Bbl. Carb., Sta. Wgn., from Oct. 15, 1968 to Nov. 15, 1968	8	—	—	—	1	1	—	—	—	—	—	—	3404 002
	w/383 Eng., w/2 Bbl. Carb., Sta. Wgn., After Nov. 15, 1968	8	—	—	—	1	1	—	—	—	—	—	—	3404 042
	Except Sta. Wgn.	6	—	—	—	—	—	1	—	—	—	—	—	2781 368
	Sta. Wgn.	6	—	—	—	—	—	1	—	—	—	—	—	2823 499
	w/318 Eng., except Sta. Wgn.	8	—	—	—	—	—	1	1	—	—	—	—	2781 369
	w/318 Eng., Sta. Wgn.	8	—	—	—	—	—	1	1	—	—	—	—	2856 005
	w/383 Eng., w/2 Bbl. Carburetor, except Sta. Wgn.	8	—	—	—	—	—	1	—	—	—	—	—	2856 359
	w/383 Eng., w/2 Bbl. Carburetor, Sta. Wgn.	8	—	—	—	—	—	1	1	1	—	—	—	2856 360
	except Sta. Wgn. Canada	6	—	—	—	—	—	—	1	—	—	—	—	2781 368
	Sta. Wgn. Canada	6	—	—	—	—	—	—	1	—	—	—	—	2823 499
	w/383 Eng., w/2 Bbl. Carb., except Sta. Wgn.	8	—	—	—	—	—	—	1	1	1	—	—	2925 622
	Front, w/440 Eng., Std., C-E, C-L	8	—	—	—	—	—	—	—	1	1	1	1	2781 339

DUAL EXHAUST

w/340 and 383 Eng.	Rt.	8	—	1	1	—	—	—	—	—	—	—	—	2925 671
	Lt.	8	—	1	1	—	—	—	—	—	—	—	—	2925 670
w/383 Eng., w/1-4 Bbl. Carb., except Sta. Wgn., up to Oct. 15, 1968, R-K, R- L,														
R-M w/Noise Red. Pkg., R-H, R-P	Rt.	8	—	—	—	1	1	—	—	—	—	—	—	2883 857
	Lt.	8	—	—	—	1	1	—	—	—	—	—	—	2883 860
w/383 Eng., w/1-4 Bbl. Carb. except Sta. Wgn., after Oct. 15, 1968, R-K, R- L,														
R-M w/Noise Red. Pkg., R-H, R-P	Rt.	8	—	—	—	1	1	—	—	—	—	—	—	3404 001
	Lt.	8	—	—	—	1	1	—	—	—	—	—	—	3404 003
w/383 Eng., w/1-4 Bbl. Carb., w/o Noise Red. Pkg., up to Oct. 15, 1968, R-M 2D, w/Road Runner Decor Group 2 D.H.T. and Cv. Cp.														
		8	—	—	—	1	—	—	—	—	—	—	—	3404 013-4
w/383 Eng., w/1-4 Bbl. Carb., w/o Noise Red. Pkg., after Oct. 15, 1968, R-M 2 D. w/Road Runner Decor Group, 2 D. H.T. and Cv. Cp														
		8	—	—	—	1	—	—	—	—	—	—	—	3404 013-4
w/383 Eng., w/1-4 Bbl. Carb., Sta. Wgn., up to Oct. 15, 1968	Rt.	8	—	—	—	1	1	—	—	—	—	—	—	2888 863

TYPE LETTERS Indicates

B - Barracuda

V - Valiant
L - DartR - Belvedere
W - CoronetP - Plymouth
D - DodgeC - Chrysler
Y - Imperial

AR Indicates use as required.

Indicates parts not listed in any previous parts book.

Numerals in parentheses () refer to notes.

★ Indicates change or addition.

Printed in U.S.A.
January 1971

CODE	PART NAME	ENG. TYPE OR CU.IN.	V	B	L	R	W	P	D	C	C	C	Y	PART NUMBER
11-09-0	TAIL PIPE Cont'd.													
11-09-3	PIPE Cont'd.	Lt.	8	—	—	—	1	1	—	—	—	—	—	2883 866
	w/383 Eng., w/1-4 Bbl. Carb., Sta. Wgn. up to Oct. 15, 1968	Rt.	8	—	—	—	1	1	—	—	—	—	—	3404 002
		Lt.	8	—	—	—	1	1	—	—	—	—	—	3404 004
	w/426 Eng., except Sta. Wgn., up to Oct. 15, 1968	Rt.	8	—	—	—	1	1	—	—	—	—	—	2856 368
		Lt.	8	—	—	—	1	1	—	—	—	—	—	2856 366
	w/426 Eng., except Sta. Wgn., after Oct. 15, 1968		8	—	—	—	1	1	—	—	—	—	—	3404 011-2
	w/440 Eng. w/H/Perf. w/o Noise Red. Pkg., up to Oct. 15, 1968, R-S, W-S		8	—	—	—	1	1	—	—	—	—	—	3404 013-4
	w/440 Eng., w/H/Perf., w/Noise Red. Pkg., up to Oct. 15, 1968 R-S, W-S	Rt.	8	—	—	—	1	1	—	—	—	—	—	2883 857
		Lt.	8	—	—	—	1	1	—	—	—	—	—	2883 860
	w/440 Eng., w/H/Perf., w/Noise Red. Pkg., after Oct. 15, 1968, R-S, W-S	Rt.	8	—	—	—	1	1	—	—	—	—	—	3404 001
		Lt.	8	—	—	—	1	1	—	—	—	—	—	3404 003
	w/383 Eng., w/1-4 Bbl. Carburetor, except Sta. Wgn.	Rt.	8	—	—	—	—	—	1	1	1	—	—	2925 625
		Lt.	8	—	—	—	—	—	1	1	1	—	—	2925 624
	w/383 Eng., w/1-4 Bbl. Carburetor, Sta. Wgn.		8	—	—	—	—	—	1	1	1	—	—	2856 005-6
	w/440 Eng., Std., except Sta. Wgn.	Rt.	8	—	—	—	—	—	1	1	—	—	—	2925 625
		Lt.	8	—	—	—	—	—	1	1	—	—	—	2925 624
	w/440 Eng., Std., Sta. Wgn.		8	—	—	—	—	—	1	1	1	—	—	2856 005-6
	w/440 Eng., w/H/Perf., except Sta. Wgn.	Rt.	8	—	—	—	—	—	1	1	—	—	—	2962 149
		Lt.	8	—	—	—	—	—	1	1	—	—	—	2962 148
	w/440 Eng., w/H/Perf., C-E, C-L	Rt.	8	—	—	—	—	—	—	—	1	1	1	2925 625
		Lt.	8	—	—	—	—	—	—	—	1	1	1	2925 624
11-09-4	CLAMP, Tail Pipe Rr. Support, w/340 and 383 Eng.		8	—	2	2	—	—	—	—	—	—	—	870 469
	Tail Pipe Extension, w/340 and 383 Eng.		8	—	2	2	—	—	—	—	—	—	—	2460 762
	w/383 Eng., w/1-4 Bbl. Carburetor, w/o Noise Red. Pkg., R-M 2D. w/Road Runner Decor Group, 2 D. H.T. and Cv. Cp.		8	—	—	—	2	—	—	—	—	—	—	2823 913
	w/426 Eng., except Sta. Wgn.		8	—	—	—	2	2	—	—	—	—	—	2823 913
	w/440 Eng., w/H/Perf., w/o Noise Red. Pkg., R-S, W-S		8	—	—	—	2	2	—	—	—	—	—	2823 913
11-09-37	EXTENSION, Tail Pipe, w/340 and 383 Eng.		8	—	2	—	—	—	—	—	—	—	—	2883 835
	w/340 Eng., L-L, L-S		8	—	—	2	—	—	—	—	—	—	—	2883 838
	w/383 Eng., L-S		8	—	—	2	—	—	—	—	—	—	—	2883 838
	w/383 Eng., w/1-4 Bbl. Carburetor, w/o Noise Red. Pkg., R-M 2D. w/Road Runner Decor Group, 2 D. H.T. and Cv. Cp.		8	—	—	—	2	—	—	—	—	—	—	2883 826
	w/426 Eng., except Sta. Wgn.		8	—	—	—	2	—	—	—	—	—	—	2883 826
	w/440 Eng., w/H/Perf., w/o Noise Red. Pkg., R-S		8	—	—	—	2	—	—	—	—	—	—	2883 826
	w/426 Eng., W-P Charger, W-S Charger R/T		8	—	—	—	—	2	—	—	—	—	—	2883 832
	w/426 Eng., 2 D., 2 D. H.T., Cv. Cp. and 4 D		8	—	—	—	—	2	—	—	—	—	—	2883 829

TYPE LETTERS Indicates

B - Barracuda

V - Valiant
L - Dart

R - Belvedere
W - Coronet

P - Plymouth
D - Dodge

C - Chrysler
Y - Imperial

AR Indicates use as required.

Indicates parts not listed in any previous parts book.

Numerals in parentheses () refer to notes.

★ Indicates change or addition.

Printed in U.S.A.
January 1971

CODE	PART NAME	ENG. TYPE OR CU.IN.	V	B	L	R	W	P	D	C	C	C	Y	PART NUMBER
			1-2	1-2	1-2	1-2	1-2	1-2	1-2	1	2	3	1	
11-09-0 TAIL PIPE Cont'd.														
11-09-37	EXTENSION Cont'd.													
	w/440 eng., w/H/Perf. w/o Noise Red. Pkg., W-S Charger R/T	8	—	—	—	—	2	—	—	—	—	—	—	2883 832
	w/440 Eng., w/H/Perf., w/o Noise Red. Pkg., W-S 2 D. H.T. and Cv. Cp.	8	—	—	—	—	2	—	—	—	—	—	—	2883 829
11-10-0 TAIL PIPE SUPPORT SINGLE EXHAUST - FRONT														
11-10-3	SUPPORT and INSULATOR	6	1	1	1	—	—	—	—	—	—	—	—	2823 497
	w/273 and 318 Eng.	8	1	—	1	—	—	—	—	—	—	—	—	2823 456
	w/318 Eng.	8	—	1	—	—	—	—	—	—	—	—	—	2823 456
	w/318 Eng.	6	—	—	—	1	1	—	—	—	—	—	—	2823 452
	w/383 Eng., w/2 Bbl. Carburetor	8	—	—	—	1	1	—	—	—	—	—	—	2823 458
	w/318 Eng.	8	—	—	—	—	—	1	—	—	—	—	—	2883 873
	w/383 Eng., w/2 Bbl. Carburetor	8	—	—	—	—	—	1	1	—	—	—	—	2823 927
	Tail Pipe, Front	6	—	—	—	—	—	1	1	1	—	—	—	2823 929
	Rear	6	—	—	—	—	—	—	1	—	—	—	—	2823 933
	w/440 Eng., Std.	8	—	—	—	—	—	—	—	1	1	1	—	2823 933
	U-NUT, to Body	8	—	—	—	—	—	2	2	2	2	2	2	6025 508

SINGLE EXHAUST - REAR

	w/273 and 318 Eng.	6	1	1	1	—	—	—	—	—	—	—	—	2073 794
	w/318 Eng.	8	1	—	1	—	—	—	—	—	—	—	—	2073 794
	Sta. Wgn.	8	—	1	—	—	—	—	—	—	—	—	—	2073 794
	Except Sta. Wgn.	6	—	—	—	1	1	—	—	—	—	—	—	2660 440
	w/318 Eng., Sta. Wgn.	6	—	—	—	1	1	—	—	—	—	—	—	2856 363
	w/318 Eng., except Sta. Wgn.	8	—	—	—	1	1	—	—	—	—	—	—	2660 440
	w/383 Eng., w/2 bbl. Carb., Sta., Wgn.	8	—	—	—	1	1	—	—	—	—	—	—	2856 363
	w/383 Eng., w/2 bbl. Carb., except Sta. Wgn.	8	—	—	—	1	1	—	—	—	—	—	—	2660 440
	Sta. Wgn.	8	—	—	—	1	1	—	—	—	—	—	—	2856 363
	except Sta. Wgn. up to approx. April 1, 1969	6	—	—	—	—	—	1	—	—	—	—	—	2781 254
	after approx. April 1, 1969	6	—	—	—	—	—	1	—	—	—	—	—	3404 836
	w/318 and 383 Eng., w/2 Bbl. Carburetor, Sta. Wgn.	6	—	—	—	—	—	1	—	—	—	—	—	3404 850
	w/318 and 383 Eng., w/2 Bbl. Carb., except Sta. Wgn.	8	—	—	—	—	—	1	1	—	—	—	—	2781 254
	w/383 Eng., w/2 Bbl. Carburetor, Sta. Wgn.	8	—	—	—	—	—	1	1	—	—	—	—	3404 836
	w/383 Eng., w/2 Bbl. Carburetor, up to approx. April 1, 1969, C-E, C-L	8	—	—	—	—	—	—	—	1	—	—	—	2781 254
	after approx. April 1, 1969, C-E, C-L	8	—	—	—	—	—	—	—	1	—	—	—	3404 836
	w/440 Eng., Std., up to approx. April 1, 1969	8	—	—	—	—	—	—	—	—	1	1	1	3404 850
	after approx. April 1, 1969	8	—	—	—	—	—	—	—	—	1	1	1	3404 836

DUAL EXHAUST - FRONT

	w/340 and 383 Eng.	8	—	2	2	—	—	—	—	—	—	—	—	2823 462
	w/383 Eng., w/1-4 Bbl. Carburetor	8	—	—	—	2	2	—	—	—	—	—	—	2883 873
	w/426 Eng., except Sta. Wgn.	8	—	—	—	2	2	—	—	—	—	—	—	2823 464

TYPE LETTERS Indicates

B - Barracuda

V - Valiant
L - DartR - Belvedere
W - CoronetP - Plymouth
D - DodgeC - Chrysler
Y - Imperial

AR Indicates use as required.

Indicates parts not listed in any previous parts book.

Numerals in parentheses () refer to notes.

★ Indicates change or addition.

Printed in U.S.A.
January 1971

CODE	PART NAME	ENG. TYPE OR CU.IN.	V	B	L	R	W	P	D	C	C	C	Y	PART NUMBER
			1-2	1-2	1-2	1-2	1-2	1-2	1-2	1	2	3	1	
11-10-3	SUPPORT and INSULATOR Cont'd.													
	w/440 Eng., w/H/Perf., R-S, W-S	8	—	—	—	2	2	—	—	—	—	—	—	2823 464
	w/383 Eng., w/1-4 Bbl. Carburetor													
	Rt.	8	—	—	—	—	—	1	1	1	—	—	—	2823 929
	Lt.	8	—	—	—	—	—	1	1	1	—	—	—	2856 238
	w/440 Eng., Std., C-P													
	Rt.	8	—	—	—	—	—	1	1	1	—	—	—	2823 929
	Lt.	8	—	—	—	—	—	1	1	1	—	—	—	2856 238
	w/440 Eng., w/H/Perf., except Sta. Wgn.													
	Rt.	8	—	—	—	—	—	1	1	—	—	—	—	2823 933
	Lt.	8	—	—	—	—	—	1	1	—	—	—	—	2962 118
	w/440 Eng., w/H/Perf., C-E, C-L													
	Rt.	8	—	—	—	—	—	—	—	1	1	1	—	2823 929
	Lt.	8	—	—	—	—	—	—	—	1	1	1	—	2856 238
	U-NUT, to Body	8	—	—	—	—	—	4	4	4	4	4	—	6025 508

DUAL EXHAUST - REAR

	w/383 Eng., w/1-4 Bbl. Carburetor, except Sta. Wgn., R-K, R-L, R-H, R-P	8	—	—	—	2	2	—	—	—	—	—	—	2856 363
	w/383 Eng., w/1-4 Bbl. Carb., w/Noise Red. Pkg. R-M	8	—	—	—	2	—	—	—	—	—	—	—	2856 363
	w/383 Eng., w/1-4 Bbl. Carburetor, Sta. Wgn.	8	—	—	—	1	1	—	—	—	—	—	—	2660 440-1
	w/440 Eng., w/H/Perf., w/Noise Red. Pkg., R-S, W-S	8	—	—	—	2	2	—	—	—	—	—	—	2856 363
	w/383 and 440 Eng., w/1-4 Bbl. Carburetor, except Sta. Wgn.	8	—	—	—	—	—	2	2	—	—	—	—	2925 795
	w/383 and 440 Eng., w/1-4 Bbl. Carburetor, Sta. Wgn.	8	—	—	—	—	—	1	1	1	—	—	—	27812 54-5
	w/383 Eng., w/1-4 Bbl. Carburetor, C-E, C-L	8	—	—	—	—	—	—	—	2	—	—	—	2925 795
	w/440 Eng., w/H/Perf., C-E, C-L	8	—	—	—	—	—	—	—	2	2	2	—	2925 795

DUAL EXHAUST

	SUPPORT, Tail Pipe Extension, w/340 and 383 Eng.	8	—	2	2	—	—	—	—	—	—	—	—	2883 842
	w/383 Eng., w/1-4 Bbl. Carburetor, w/o Noise Red. Pkg., R-M 2 D. w/Road Runner Decor Group, 2 D. H.T. and Cv. Cp.	8	—	—	—	2	—	—	—	—	—	—	—	2883 845
	w/426 Eng., except Sta. Wgn., W except Charger and Charger R/T	8	—	—	—	2	2	—	—	—	—	—	—	2883 845
	w/440 Eng., w/H/Perf. w/o Noise Red. Pkg., R-S, W-S 2 D. H.T. and Cv. Cp.	8	—	—	—	2	2	—	—	—	—	—	—	2883 845
	w/426 Eng., W-P Charger, W-S Charger R/T	8	—	—	—	—	2	—	—	—	—	—	—	2883 914
	w/440 Eng., w/H/Perf., w/o Noise Red. Pkg., W-S Charger R/T	8	—	—	—	—	2	—	—	—	—	—	—	2883 914
	BOLT, to Body	8	—	—	—	2	2	—	—	—	—	—	—	6026 456
11-10-17	SCREW, Support Clamp		AR	AR	AR	AR	AR	AR	AR	AR	AR	AR	AR	6024 323
11-10-18	NUT, Clamp U-Bolt		AR	AR	AR	AR	AR	AR	AR	AR	AR	AR	AR	6022 838
			AR	AR	AR	AR	AR	AR	AR	AR	AR	AR	AR	2073 205
11-10-20	PLATE, Tail Pipe Front Support Floor Pan, w/340 and 383 Eng.													
	Rt.	8	—	1	1	—	—	—	—	—	—	—	—	2856 391

TYPE LETTERS Indicates

B - Barracuda

V - Valiant
L - Dart

R - Belvedere
W - Coronet

P - Plymouth
D - Dodge

C - Chrysler
Y - Imperial

AR Indicates use as required.

Indicates parts not listed in any previous parts book.

Numerals in parentheses () refer to notes.

★ Indicates change or addition.

Printed in U.S.A.
January 1971

1969 PASSENGER CAR PARTS CATALOG

EXHAUST

CODE	PART NAME	ENG. TYPE OR CU.IN.	V	B	L	R	W	P	D	C	C	C	Y	PART NUMBER
11-10-42	BRACKET, Tail Pipe Front Support Floor Pan, w/340 and 383 Eng.	Rt. 8		1	1									2856 393
	w/383 Eng., w/1-4 Bbl. Carburetor	Lt. 8				1	1							2643 623
	w/426 Eng., except Sta. Wgn.	Lt. 8				1	1							2643 623
	w/440 Eng., w/H/Perf., R-S, W-S	Lt. 8				1	1							2643 623
	Tail Pipe Front Support to Body, w/440 Eng., Std.	Lt. 8						1	1				1	2856 241
	w/383 Eng., w/1-4 Bbl. Carburetor	Lt. 8						1	1	1				2856 241
	w/440 Eng., w/H/Perf., except Sta. Wgn.	Lt. 8						1	1	1	1	1		2856 241
	w/440 Eng., Std., Sta. Wgn.	Lt. 8								1				2856 241
11-10-43	SUPPORT, Center Floor Pan Tail Pipe Hanger Bracket		1	1	1									2783 229

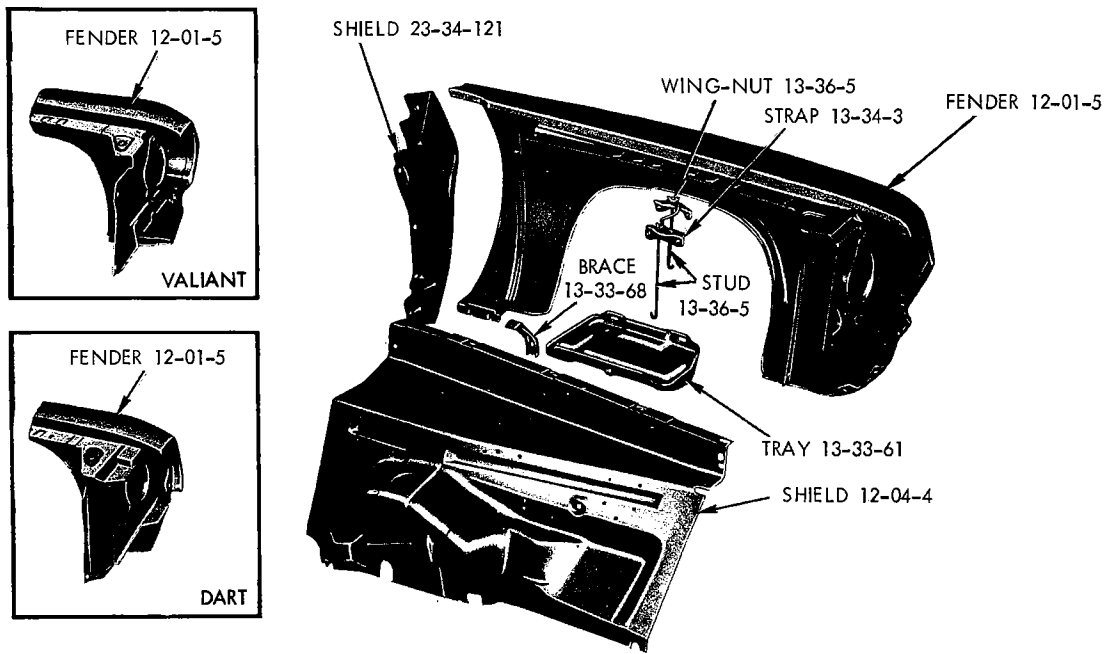
NOTES

TYPE LETTERS Indicates

B - Barracuda	V - Valiant L - Dart	R - Belvedere W - Coronet	P - Plymouth D - Dodge	C - Chrysler Y - Imperial
---------------	-------------------------	------------------------------	---------------------------	------------------------------

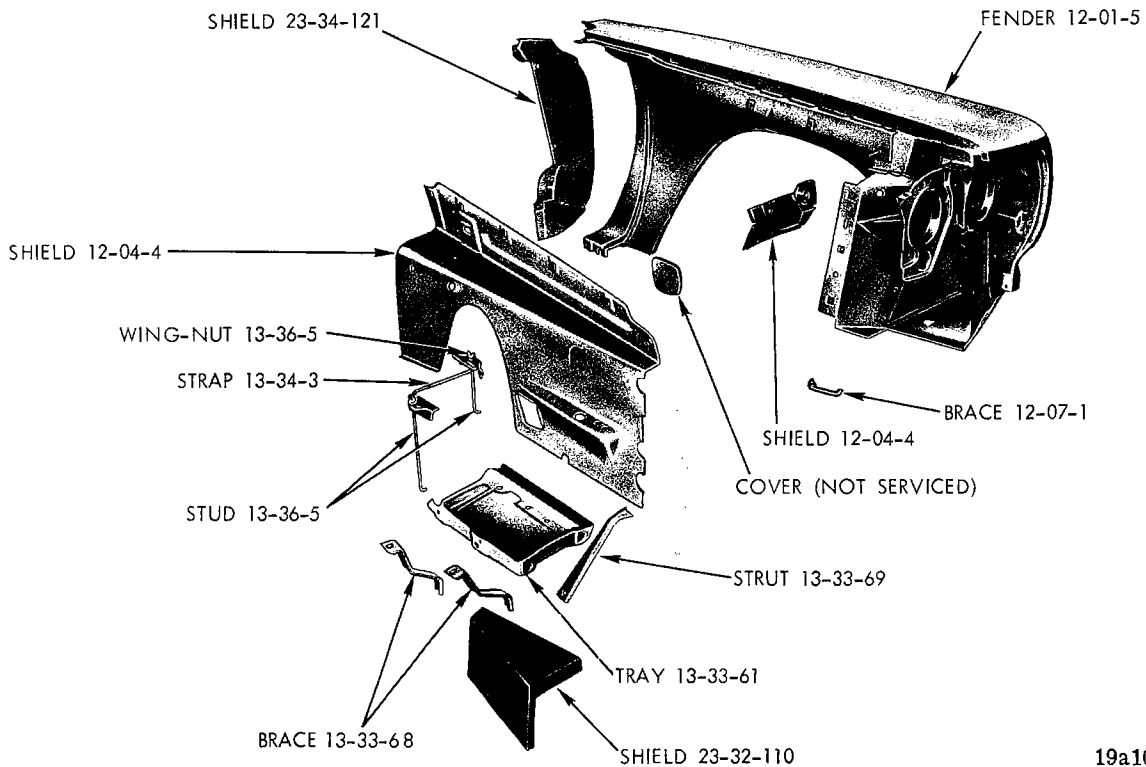
AR Indicates use as required. Numerals in parentheses () refer to notes.
 # Indicates parts not listed in any previous parts book. ★ Indicates change or addition. Printed in U.S.A. January 1971

GROUP 12 - FENDERS AND SHEET METAL



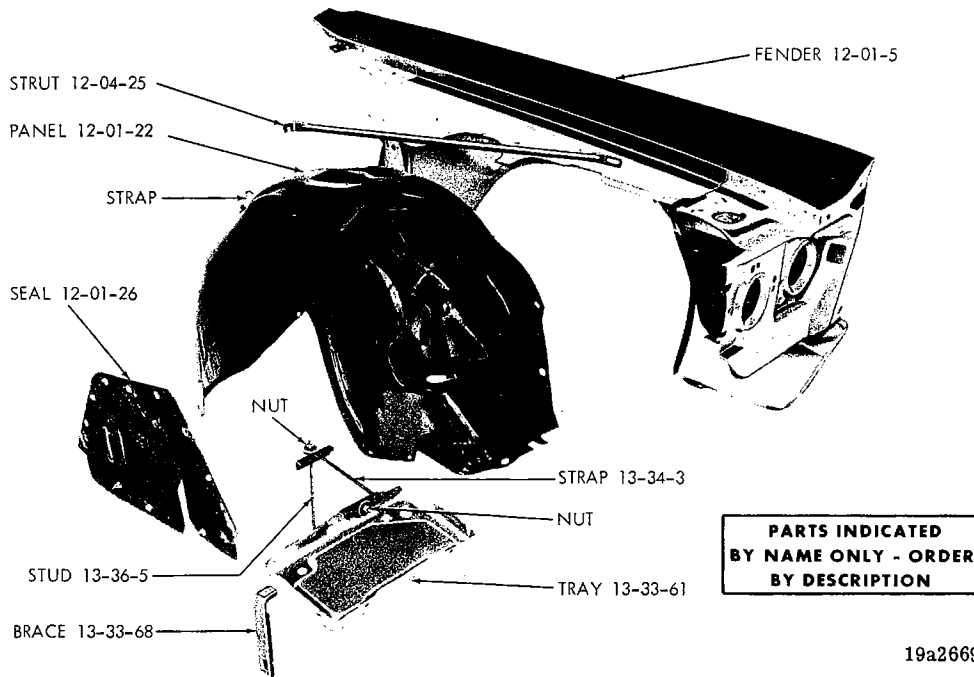
19a0963

FENDER - VALIANT, DART AND BARRACUDA

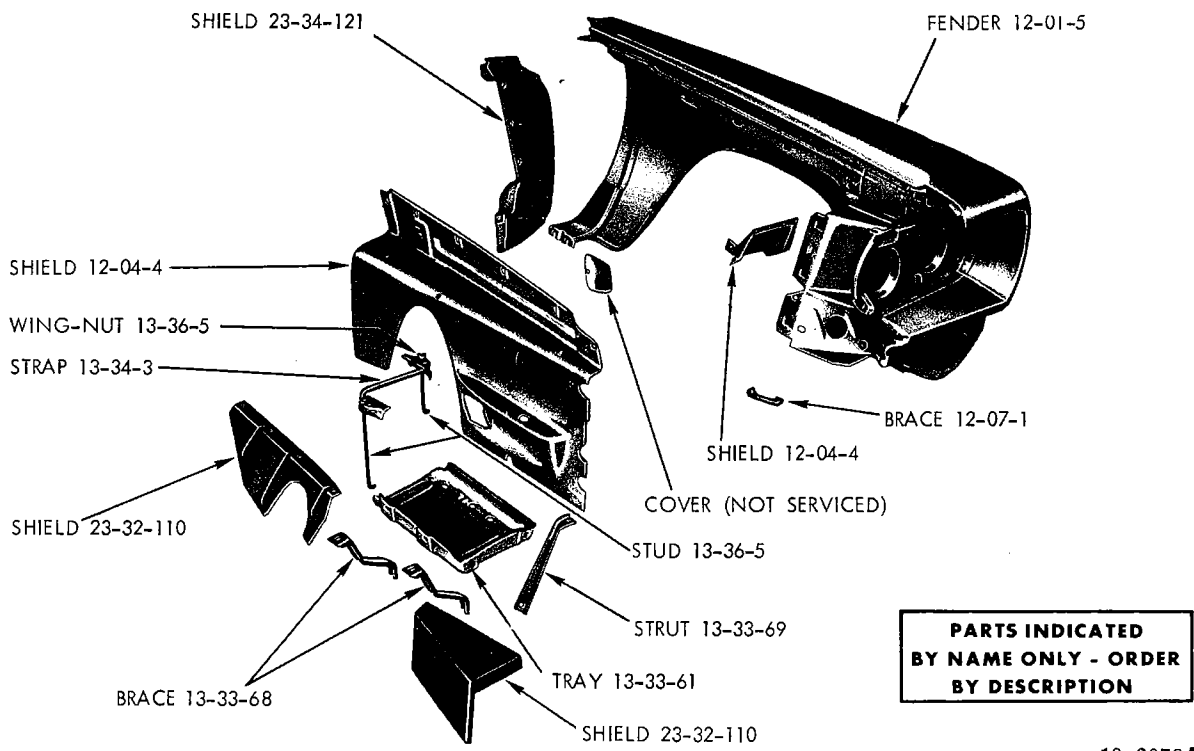


19a1097 A

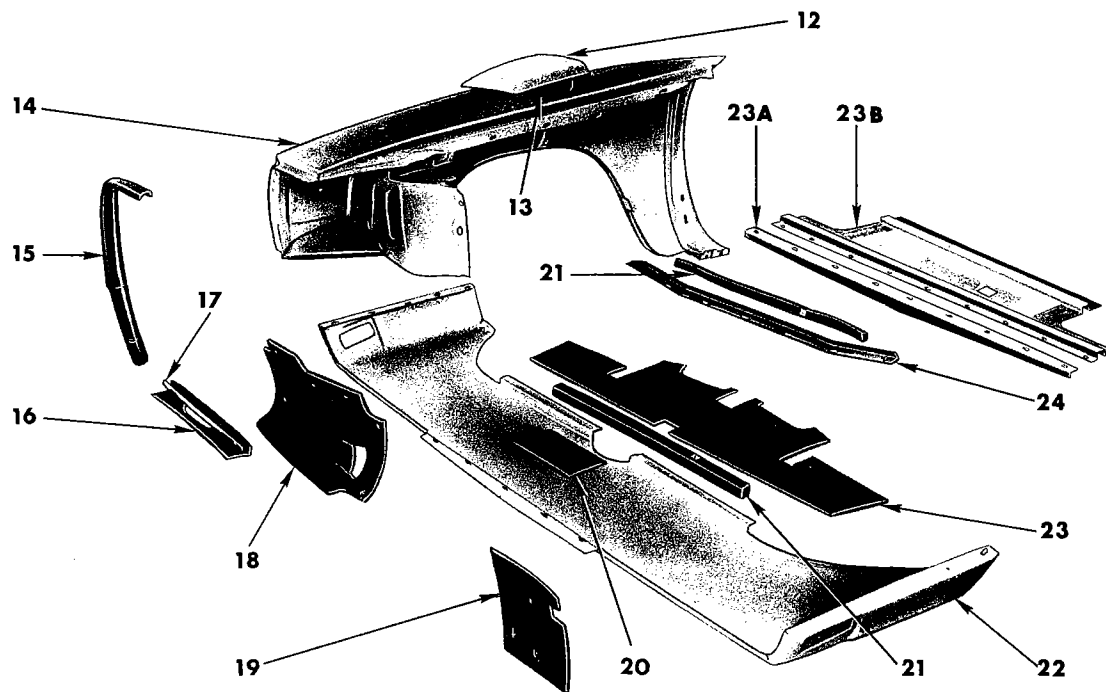
FENDER - BELVEDERE



FENDER - PLYMOUTH



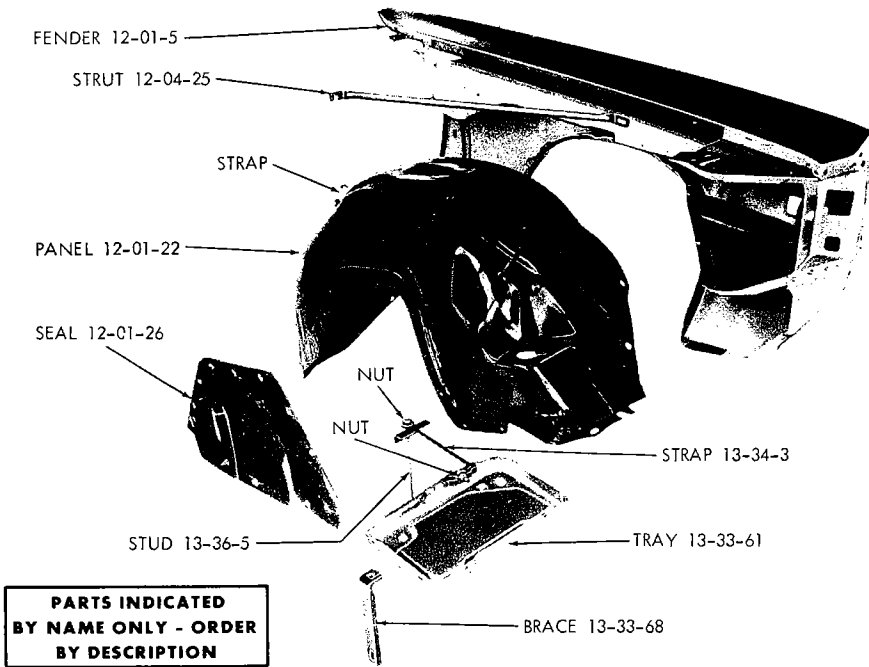
FENDER - CORONET



19a3071A

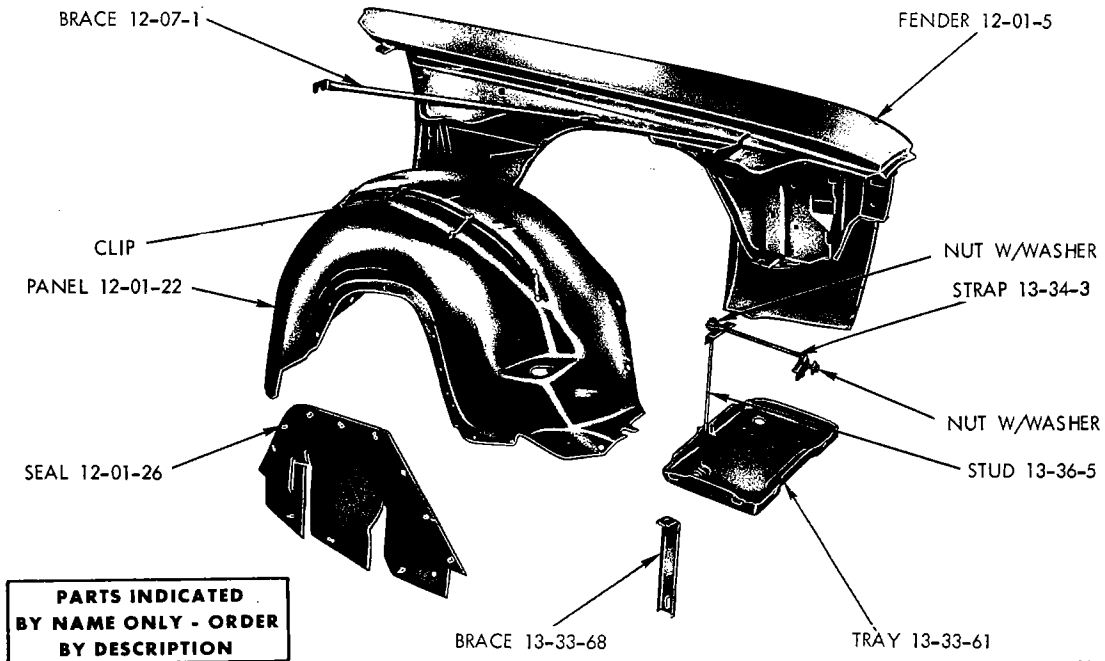
FENDER - VALANCE - SCOOP - DAYTONA CHARGER

REF. NO.	PART NUMBER	DESCRIPTION
12	3412 670-1	SCOOP
13	3412 673	SCREEN
14	3412 762-3	FENDER
15	3412 668-9	CLOSURE
16	3412 681	SEAL
17	3412 680	RETAINER
18	3412 688	SEAL
19	3412 692	SEAL
20	3412 691	SEAL
21	3412 698	SEAL
22	3412 611	PANEL
23	3412 686	SEAL
23A	3412 696	BRACKET
23B	3412 612	PANEL
24	3412 664	EXTENSION



19a2668

FENDER - DODGE



19a2723

FENDER - CHRYSLER

CODE	PART NAME	ENG. TYPE OR CU.IN.	V	B	L	R	W	P	D	C	C	C	Y	PART NUMBER
			1-2	1-2	1-2	1-2	1-2	1-2	1-2	1	2	3	1	
12-01-0 FENDERS														
12-01-5	FENDER		1											2933 658-9
				1										2933 660-1
					1									2933 662-3
						1								2933 664-5
	Except P and S, Sp. 2 D.H.T.						1							2933 666-7
	Sp. 2 D.H.T.							1						2933 668-9
	w/o Cornering Lamp								1					2933 670-1
	w/Cornering Lamp								1					2933 672-3
	w/o Cornering Lamp, except D-H													
	D-P	CANADA							1					2933 674-5
	w/Cornering Lamp, D-All								1					2933 676-7
	w/o Cornering Lamp									1	1	1		2933 678-9
	w/Cornering Lamp									1	1	1		2933 680-1
	w/o Cornering Lamp									1	1	1		2933 678-9
	w/o Cornering Lamp												1	2933 682-3
12-01-22	PANEL, Fender W/House							1	1	1	1	1		2925 326-7
	Inner													2925 330-1
	Outer												1	2925 332-3
12-01-25	BAFFLE, Fender Headlamp Mounting							1						2898 816-7
	Panel Yoke Bracket													
12-01-26	SEAL, Fender W/House Panel to							1						2925 338-9
	Upper Cont. Arm, w/225 Eng.							2						2925 339
	Except 225 Eng.								2	2	2	2		2925 339
													1	2534 812
		Lt.						1						2898 390-1
12-01-105	EXTENSION, Fender Front								1					2898 822-3
	Fender Front (Chrome)								1					2998 842-3
12-01-107	GASKET, Fender Front Extension							2						2898 392
									2					2898 396

12-02-0 FENDER LINER, FILLER OR SEAL

12-02-5	SEAL, Fender H/Lamp Panel			2										2582 874
						2								2786 263
				1										2856 306-7
12-02-6	LINER, Fender W/House									1	1	1		2998 442-3
	FILLER, Fender Bumper												1	2898 538-9
	Fender Yoke Panel									2	2	2		2998 118
12-02-7	WEDGE, Fender Hood							2	2	2	2	2	2	2949 228
12-02-10	RETAINER, Fender Bumper Filler,									1	1	1		2898 752-3
	Upper												1	2898 970-1
	Upper									2	2	2		2898 781
	Intermediate									2	2	2		2898 754
	Lower												1	2898 972-3
	Lower									12	12	12		2898 909
	Fender Yoke Panel Filler													

12-04-0 FENDER SHIELD

12-04-4	Shield	Rt.	1	1	1									2768 362
		Lt.	1	1	1									2856 317
		Rt.				1	1							2530 984
		Lt.				1	1							2856 311
	Front Side Rail Lower Splash	Lt.	1	1	1									2925 321
	Front Side Rail Lower Splash	Lt.				1	1							2925 315
	Fender H/Lamp Splash					1								2786 258-9
	Except Sp. 2 D. H.T.						1							2786 218-9

TYPE LETTERS Indicates B - Barracuda V - Valiant W - Dart R - Belvedere W - Coronet P - Plymouth D - Dodge C - Chrysler Y - Imperial

AR Indicates use as required.
= Indicates parts not listed in any previous parts book.

Numerals in parentheses () refer to notes.
★ Indicates change or addition.

Printed in U.S.A.
January 1971

CODE	PART NAME	ENG. TYPE OR CU.IN.	V	B	L	R	W	P	D	C	C	C	Y	PART NUMBER
			1-2	1-2	1-2	1-2	1-2	1-2	1-2	1	2	3	1	
12-04-0 FENDER SHIELD Cont'd.														
12-04-4 SHIELD Cont'd.														
	Sp. 2 D. H.T. Front Sidemember Lower Splash						1							2898 956-7
	Lt. Front Sidemember Lower Splash							1	1	1	1	1		2925 307
	Lt. Front C/Member Splash												1	2856 319
	Rt. Front C/Member Splash												1	2768 328
12-04-23	SEAL, Fender H/Lamp Splash Shield Upper, except Sp. 2 D. H.T.						2							2786 211
	Fender H/Lamp Splash Panel Side, except Sp. 2 D.H.T.						2							2786 220
	Fender H/Lamp Splash Shield, Sp. 2 D. H.T.						2							2786 428
12-04-24	CLIP, Fender Seal or Cover	AR	AR	AR	AR	AR	AR	AR	AR	AR	AR	AR	AR	2405 049
12-04-25	STRUT, Fender Flange Reinforcement Dash							1	1	1	1	1	1	2898 556-7

12-06-0 FENDER BRACKET

12-06-3	BRACKET, Radiator Grille Lower Cross Bar to Fender, Sp. 2 D. H.T.						2							2786 389
	Fender Grille Mtg. Panel										2			2898 798
	Fender Radiator Yoke C/Member, except Sp. 2 D. H.T.						1							2949 264-5
	Fender Yoke Side Panel Bumper Adjusting												2	2949 102
	Dash Panel to Fender Brace						2	2	2	2	2	2	2	2895 355

12-07-0 FENDER BRACE

12-07-1	BRACE, Fender Bumper Support Except Sp. 2 D. H.T.	2		2										2579 904
	Fender Dash Panel				2	2								2786 935
													2	2949 312

12-15-0 FENDER MOULDINGS, NAME PLATES AND ORNAMENTS

NOTE: See Exterior Moulding Illustrations in Illustration Catalog.

12-15-11	TIEPLATE, Fender Side Front to Rear Moulding												2	2902 722
12-15-32	OVERLAY, Fender, Sta. Wgn.								AR					2902 453
	D-H, Sta. Wgn.							AR						2902 295
	R-P, Sta. Wgn.				AR									2965 447
	W-P, Sta. Wgn.					AR								2965 447
	P-M, Sta. Wgn.						AR							2902 145
	C-E, 2 D. H.Top and Cv. Cp.								AR					2964 583

NOTES

TYPE LETTERS Indicates

B - Barracuda

V - Valiant
L - DartR - Belvedere
W - CoronetP - Plymouth
D - DodgeC - Chrysler
Y - Imperial

AR Indicates use as required.

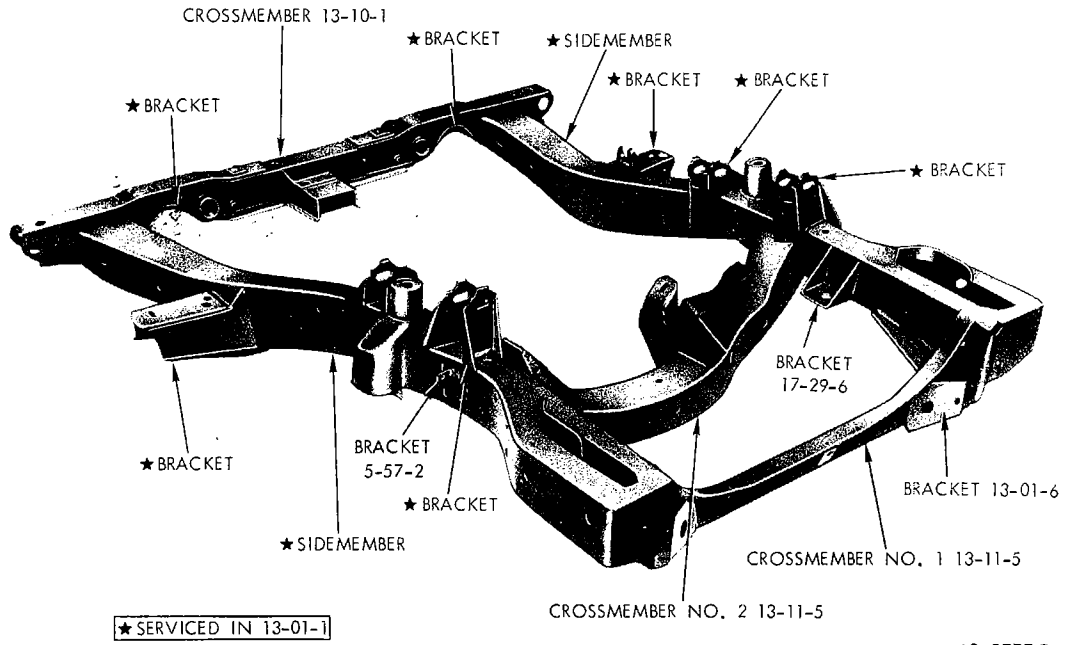
= Indicates parts not listed in any previous parts book.

Numerals in parentheses () refer to notes.

★ Indicates change or addition.

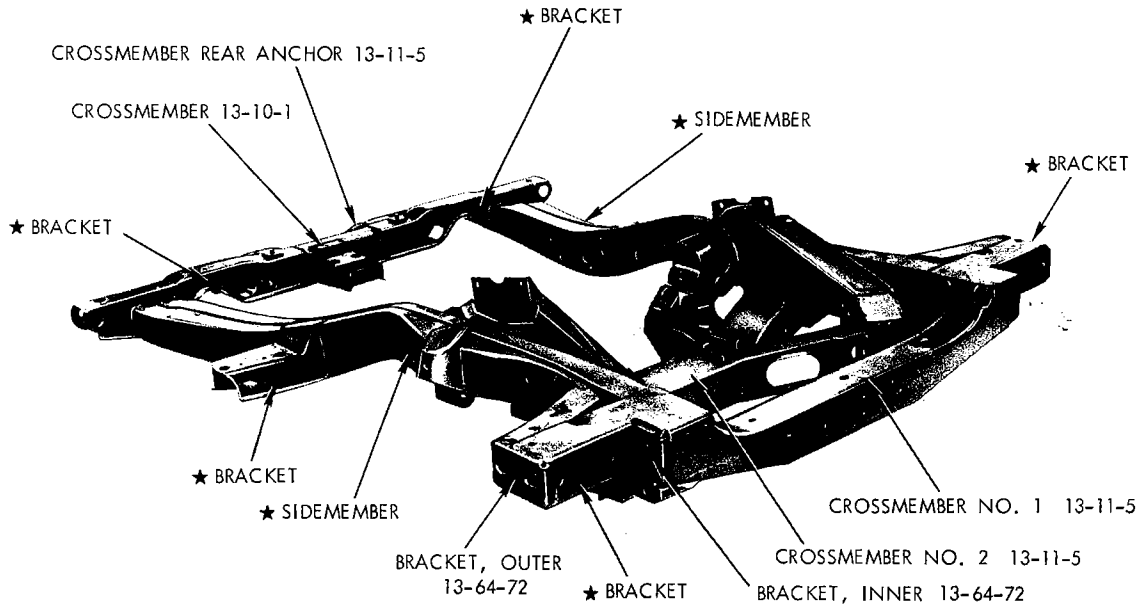
Printed in U.S.A.
January 1971

GROUP 13 - FRAME



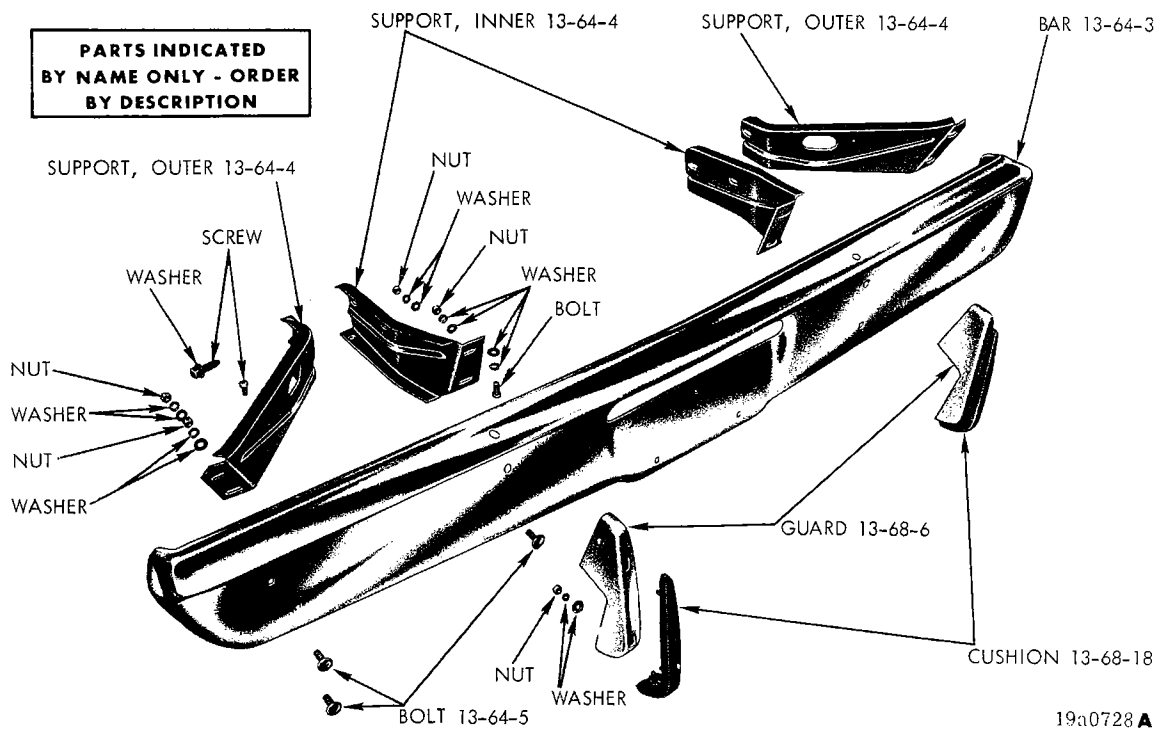
19a0777 C

FRAME - PLYMOUTH, DODGE AND CHRYSLER

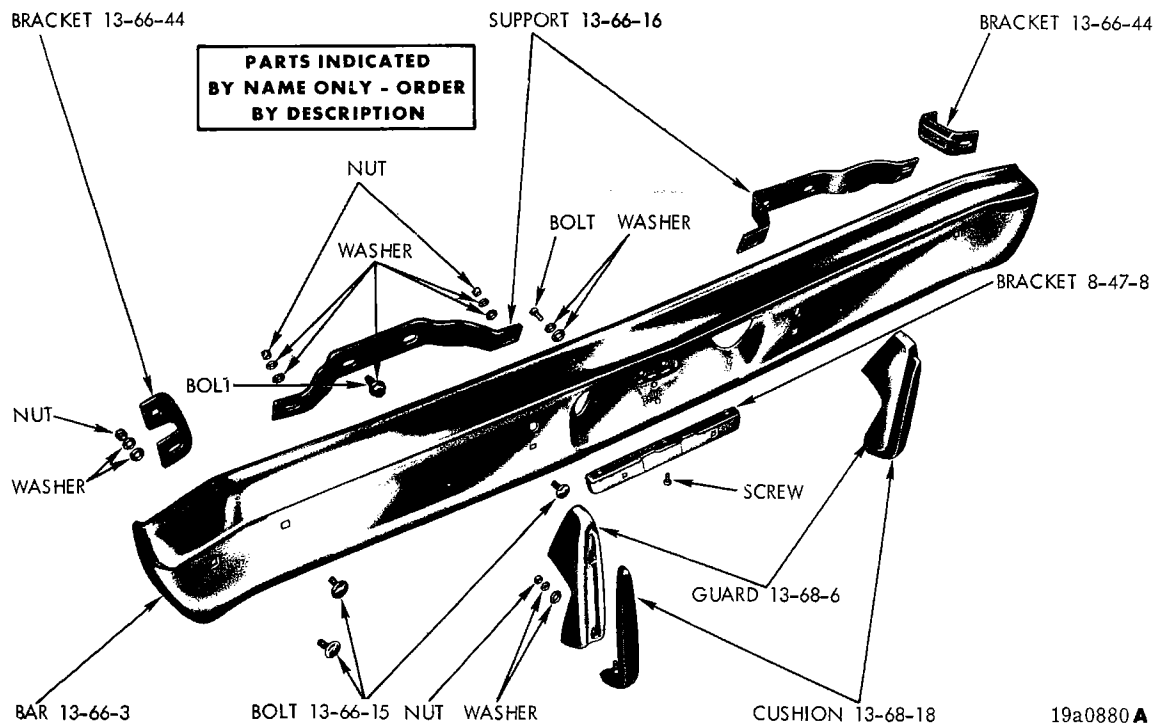


19a0778 A

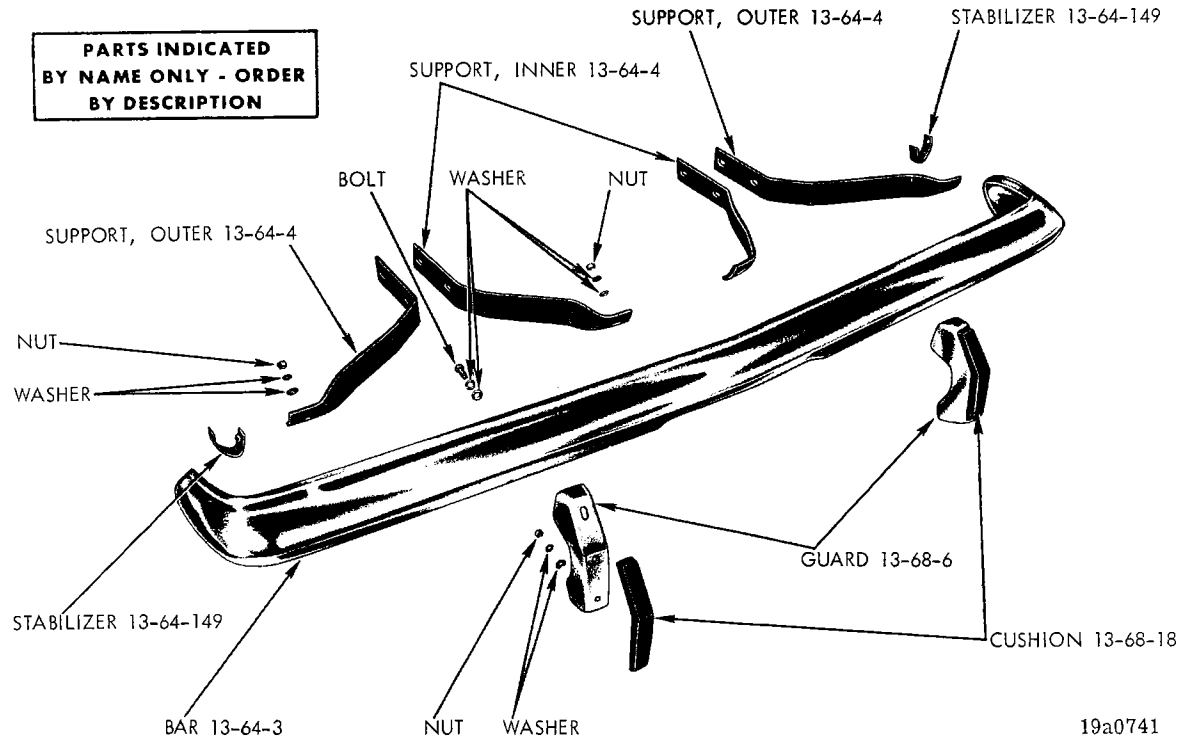
FRAME - IMPERIAL



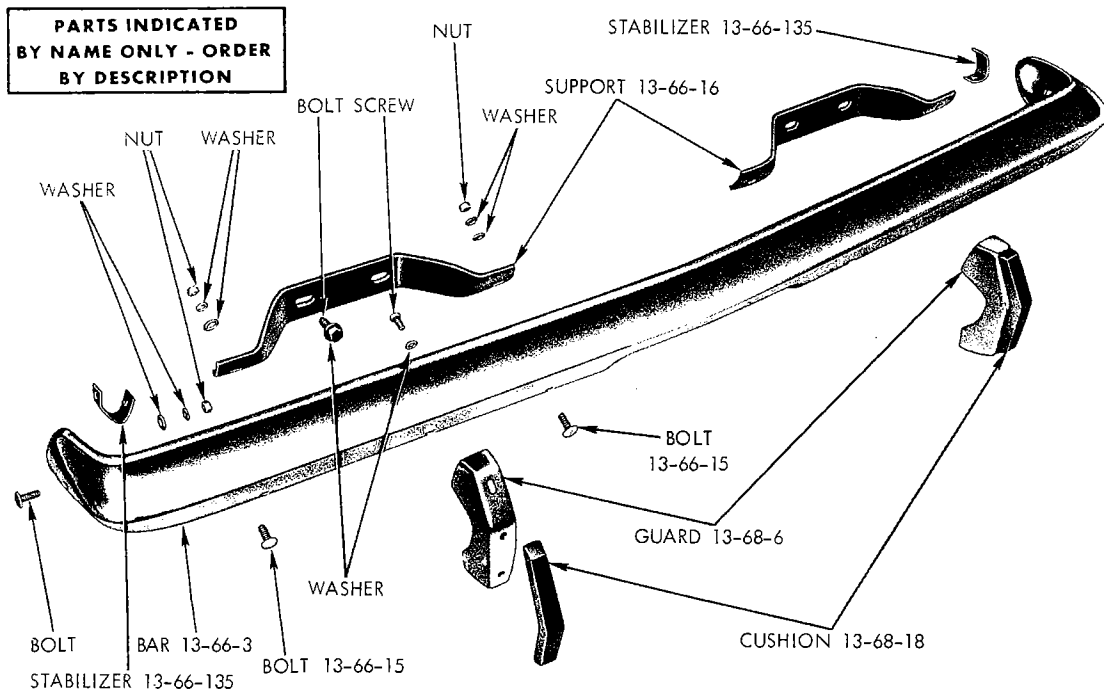
FRONT BUMPER - VALIANT



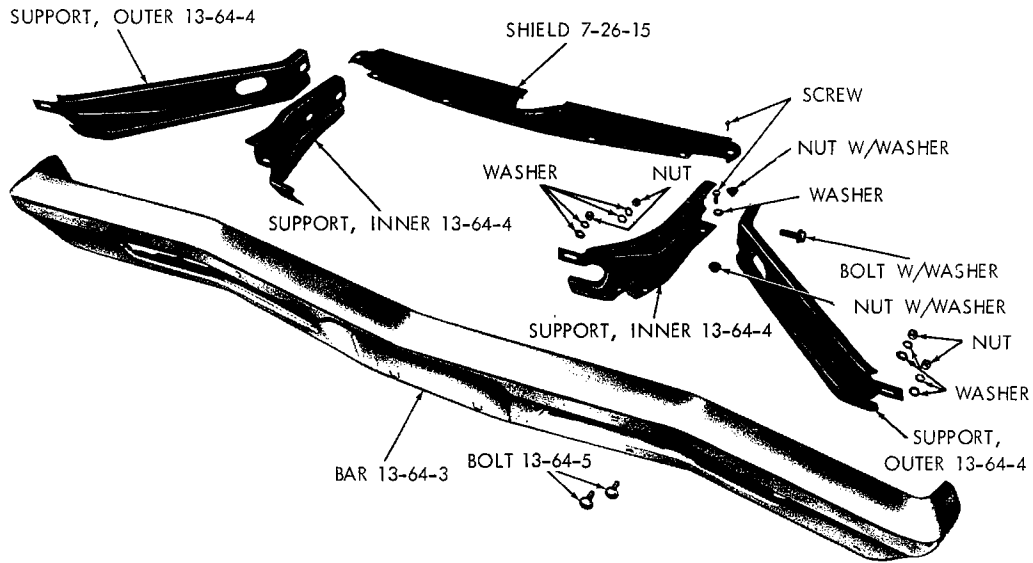
REAR BUMPER - VALIANT



FRONT BUMPER - BARRACUDA



REAR BUMPER - BARRACUDA

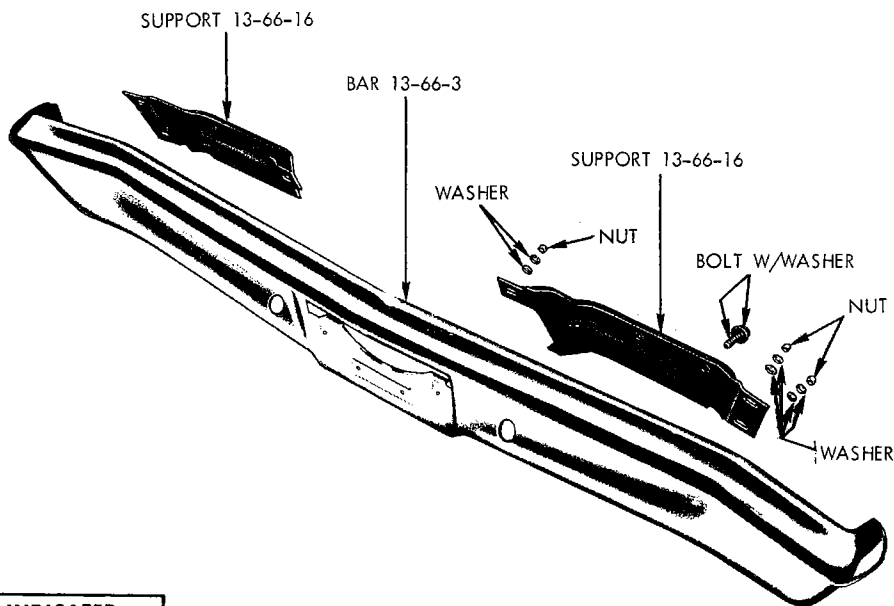


**PARTS INDICATED
BY NAME ONLY - ORDER
BY DESCRIPTION**

BOLT
13-64-5

19a2030B

FRONT BUMPER - BELVEDERE

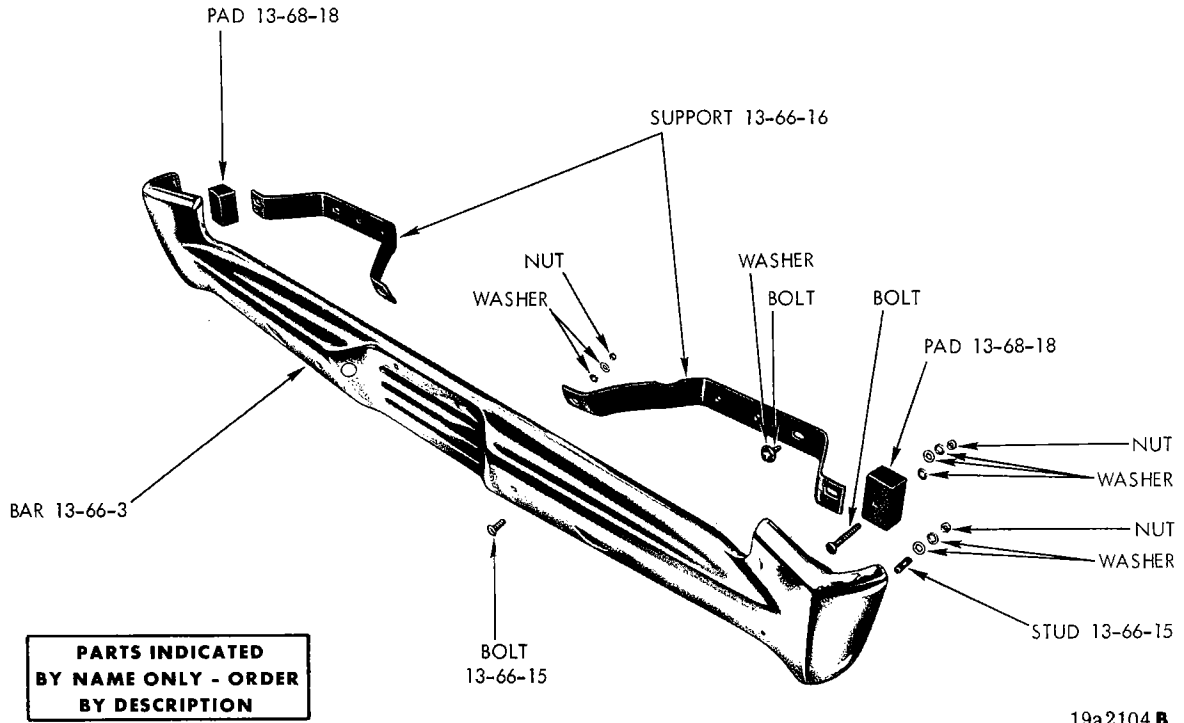


**PARTS INDICATED
BY NAME ONLY - ORDER
BY DESCRIPTION**

BOLT
13-66-15

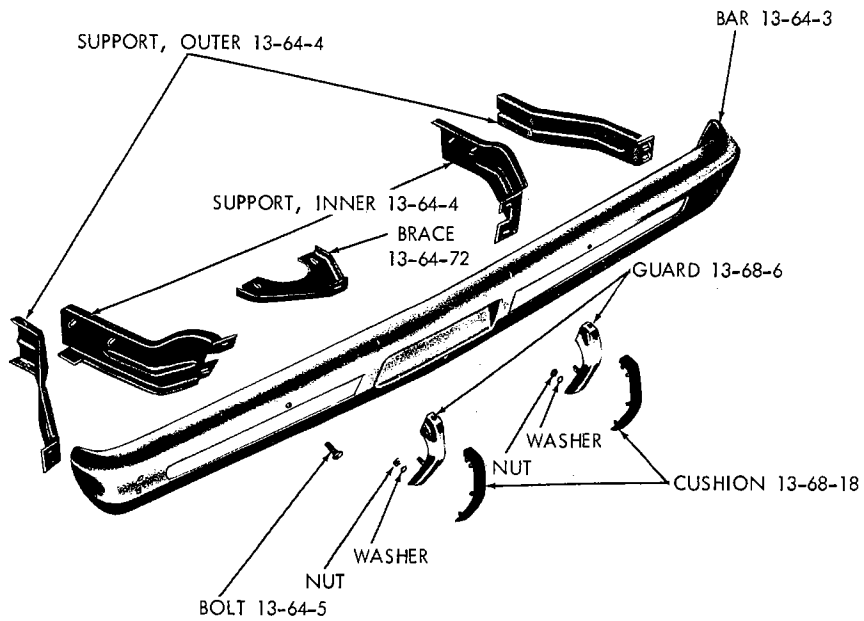
19a2036 B

REAR BUMPER - BELVEDERE (EXCEPT STATION WAGON)



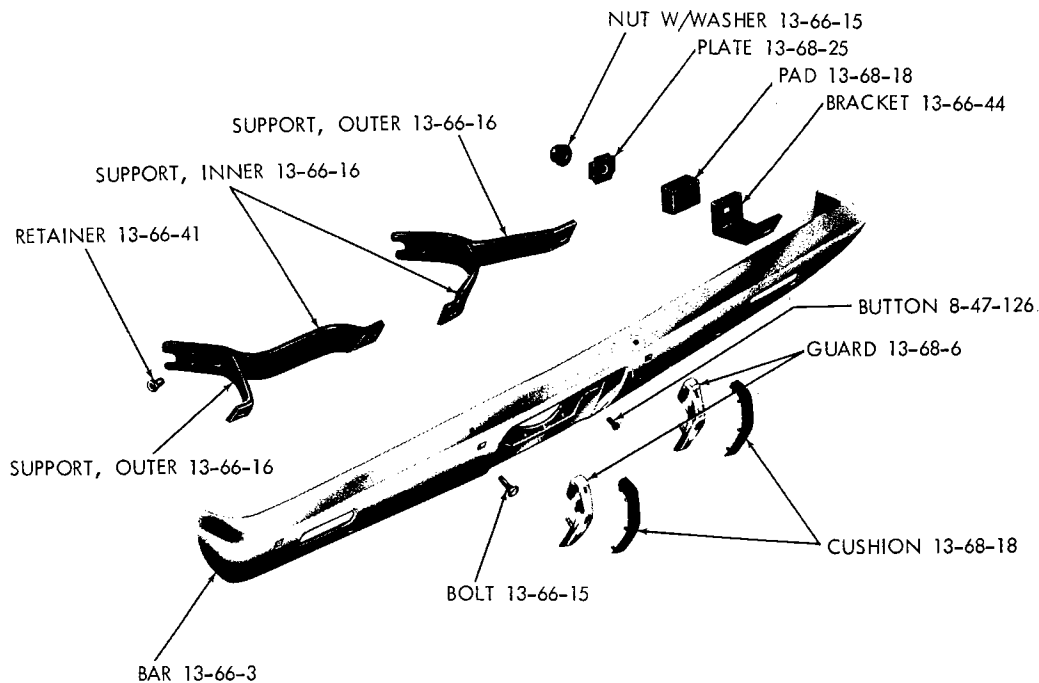
19a2104 B

REAR BUMPER - BELVEDERE AND CORONET (STATION WAGON)



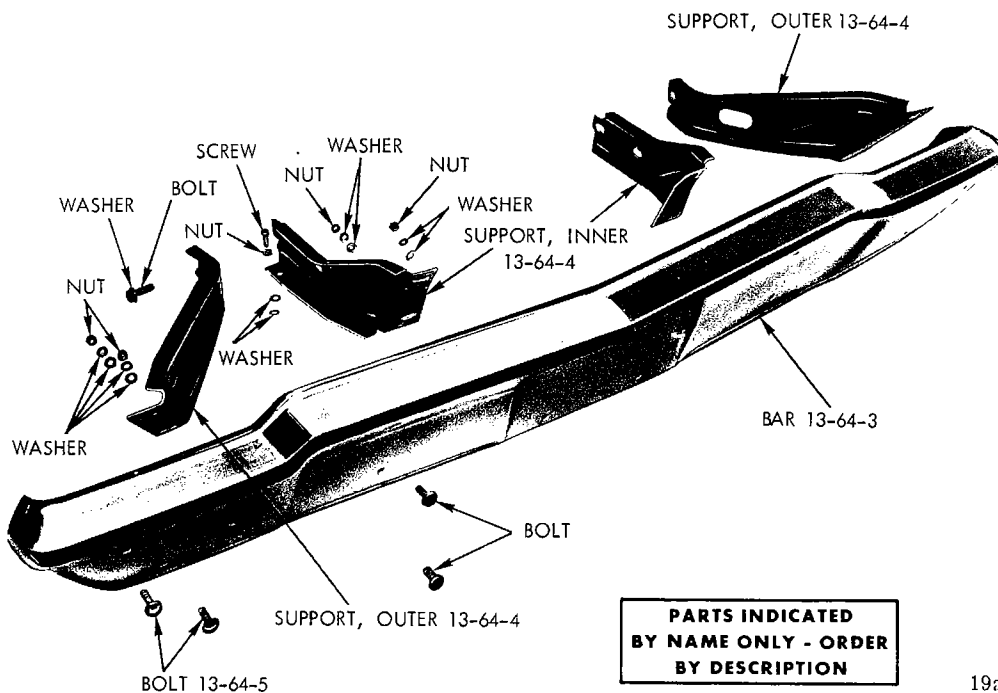
19a2555

FRONT BUMPER - PLYMOUTH



19a2485

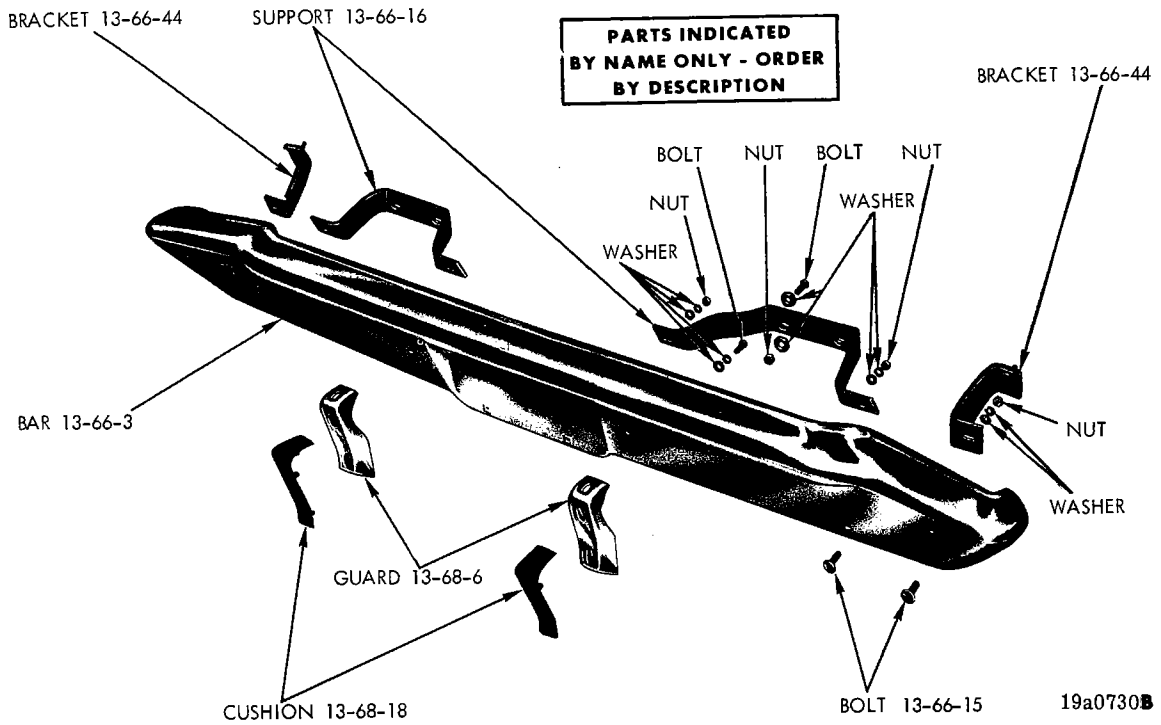
REAR BUMPER - PLYMOUTH (EXCEPT STATION WAGON)



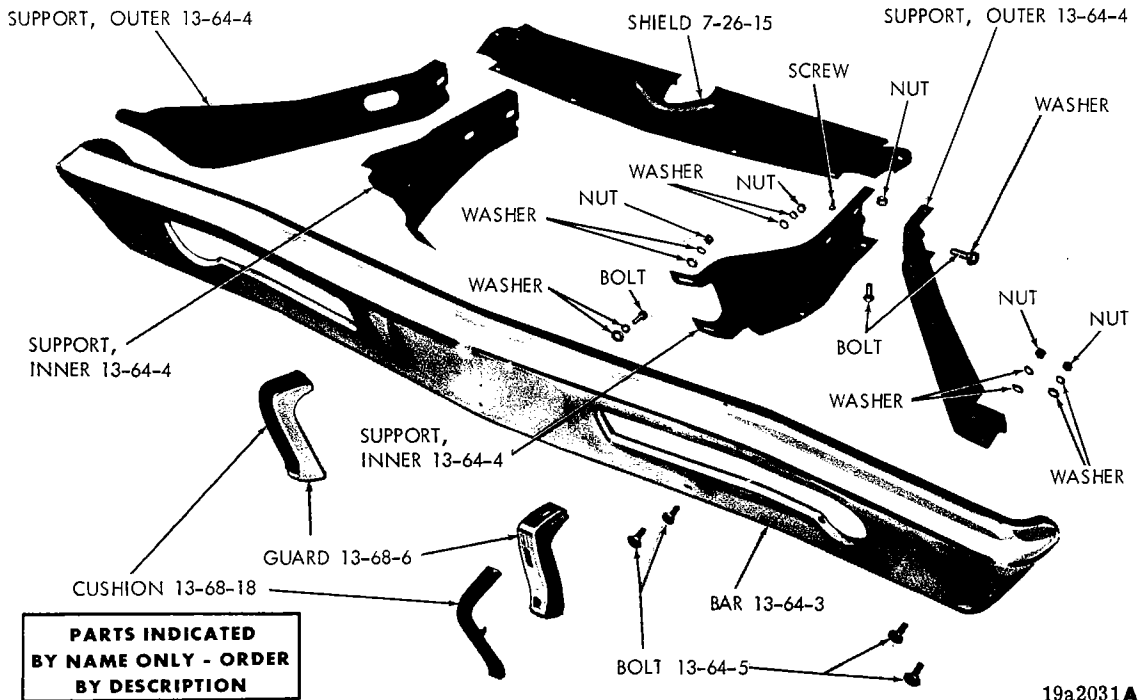
**PARTS INDICATED
BY NAME ONLY - ORDER
BY DESCRIPTION**

19a0729 A

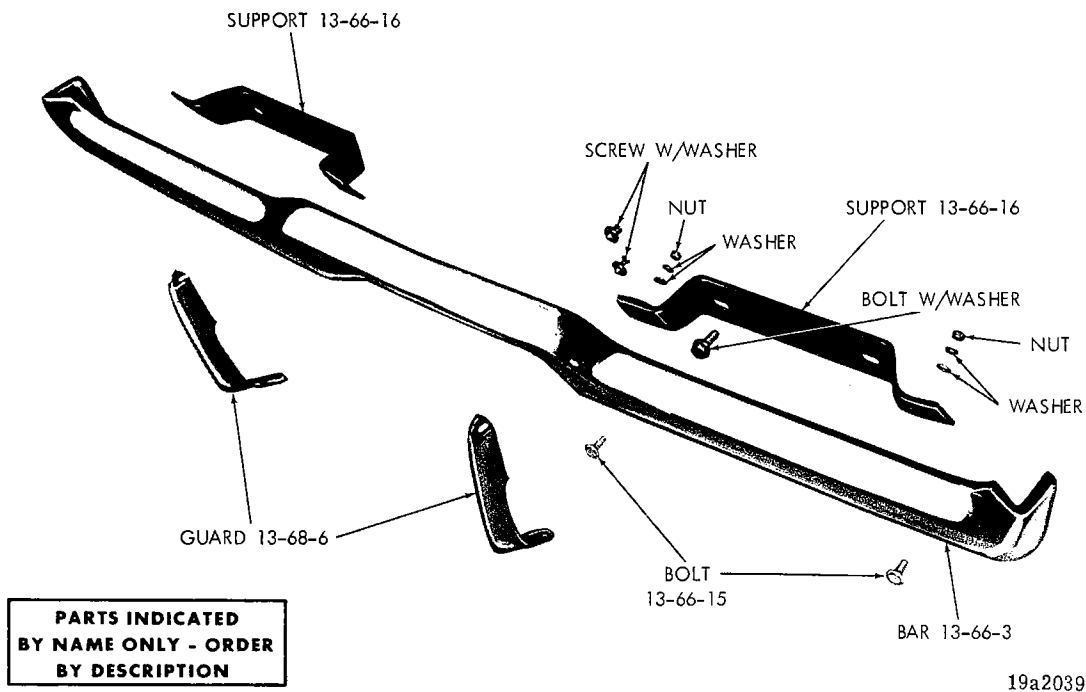
FRONT BUMPER - DART



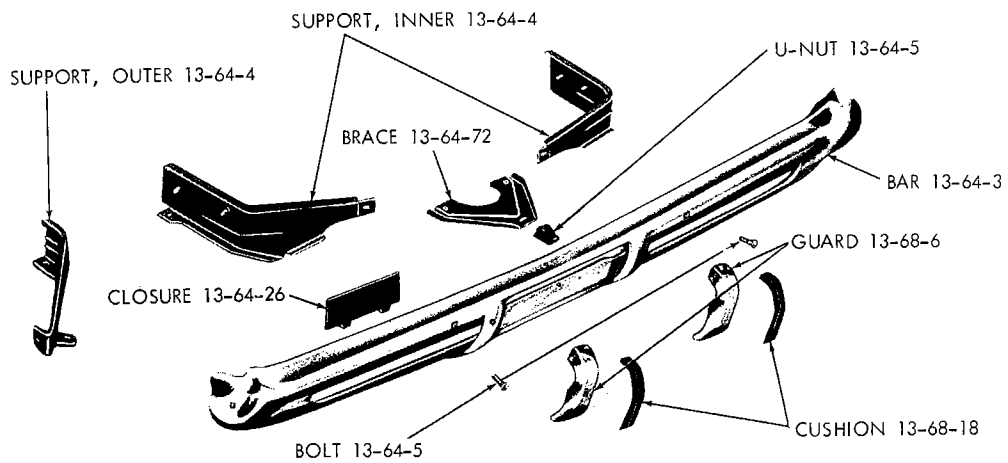
REAR BUMPER - DART



FRONT BUMPER - CORONET

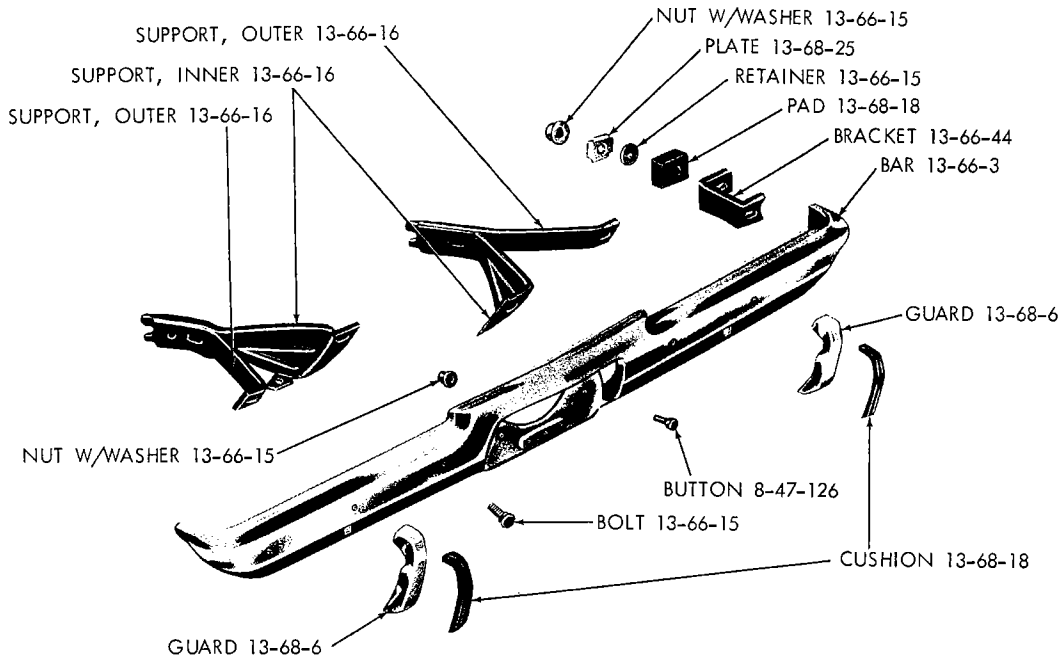


REAR BUMPER - CHARGER



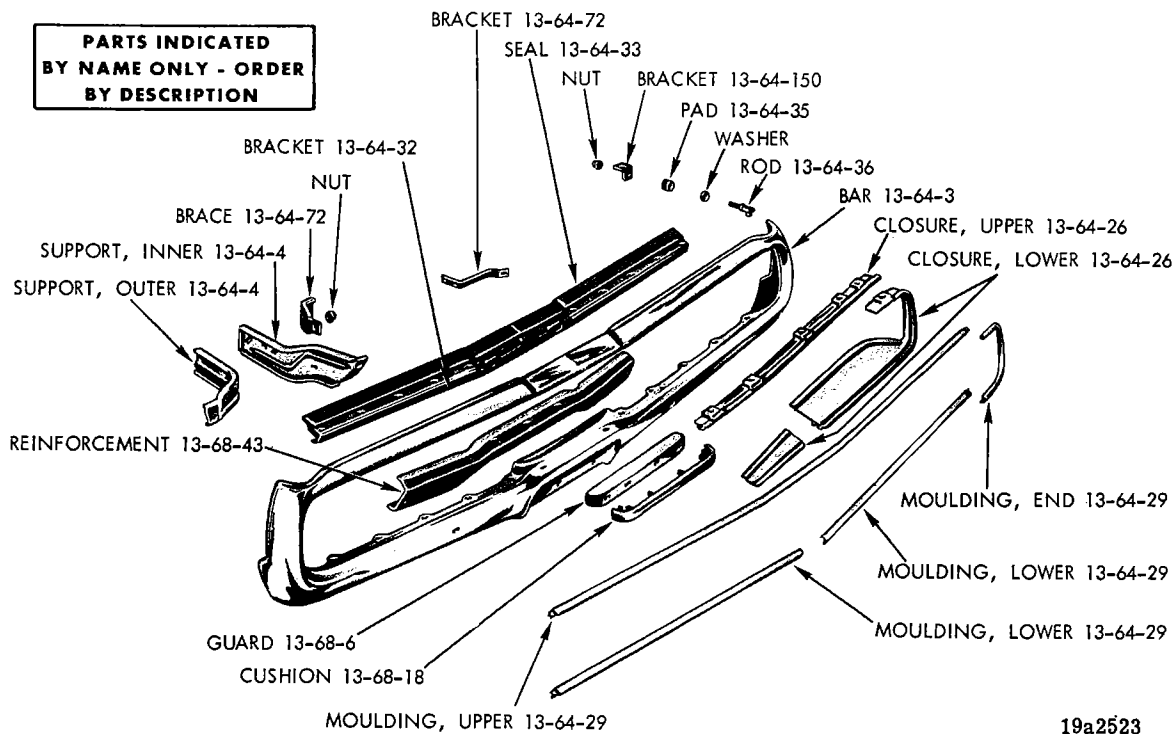
19a2486 A

FRONT BUMPER - DODGE



19a2487

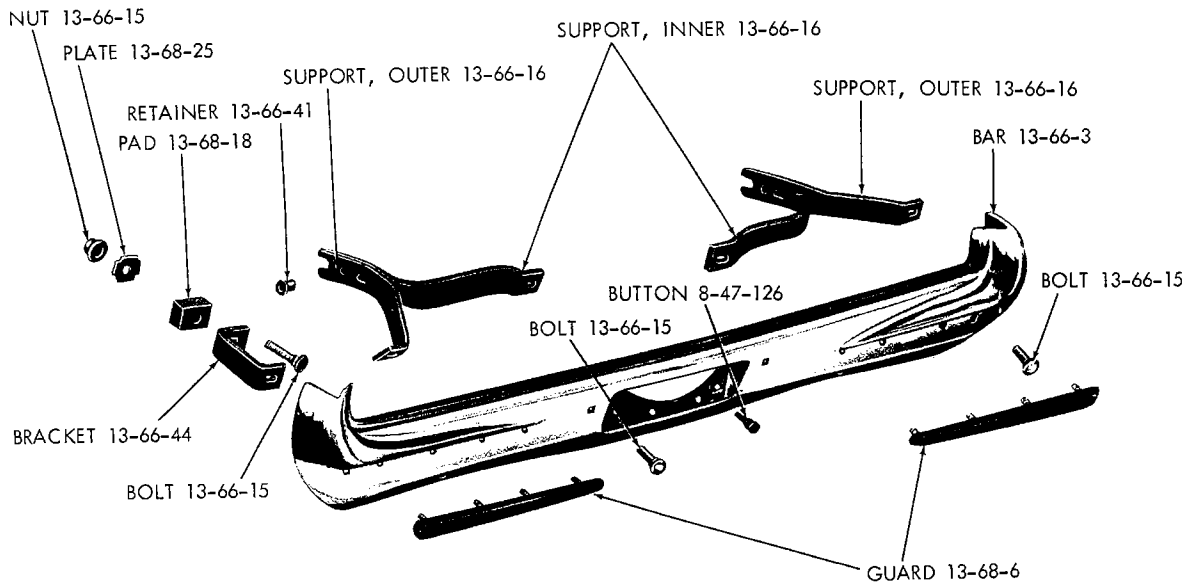
REAR BUMPER - DODGE (EXCEPT STATION WAGON)



PARTS INDICATED BY NAME ONLY - ORDER BY DESCRIPTION

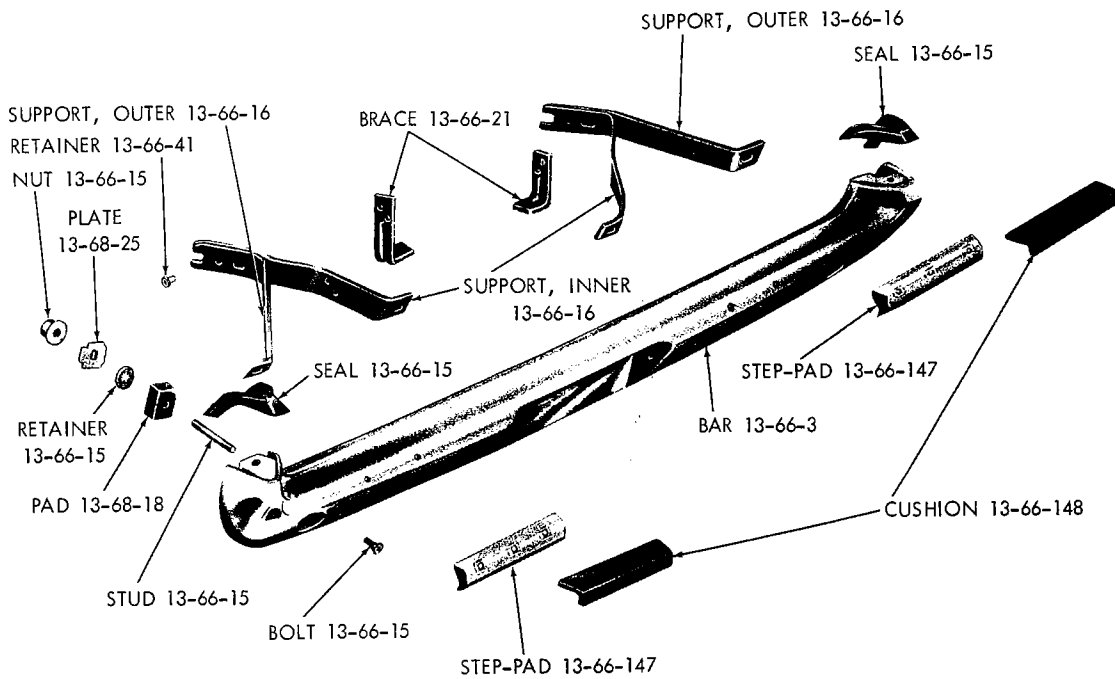
19a2523

FRONT BUMPER - CHRYSLER



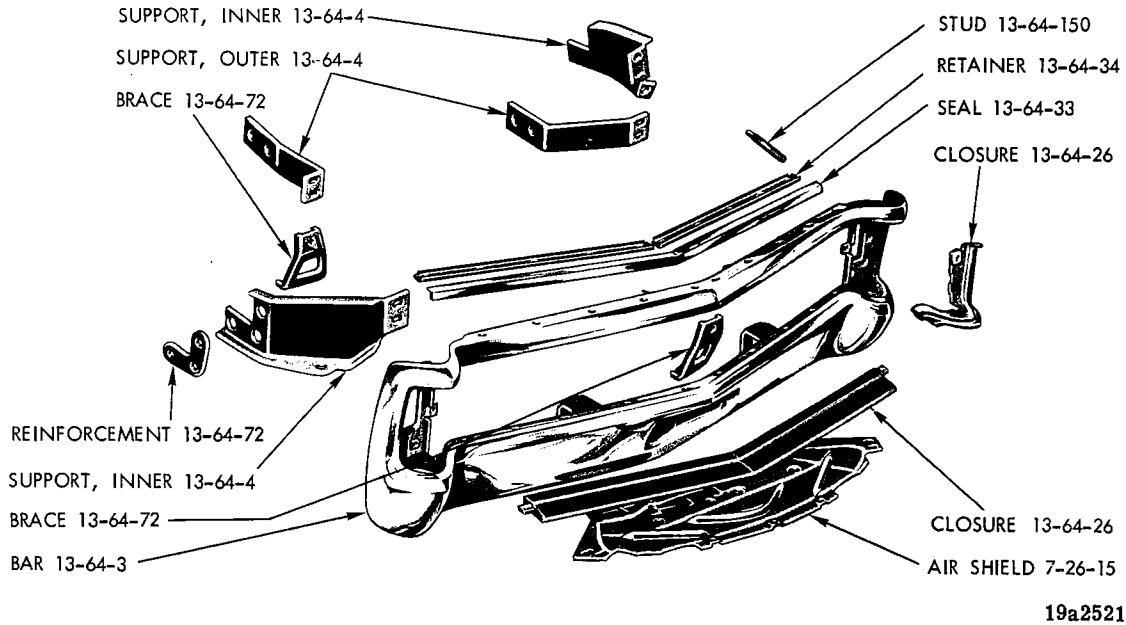
19a2463

REAR BUMPER - CHRYSLER (EXCEPT STATION WAGON)

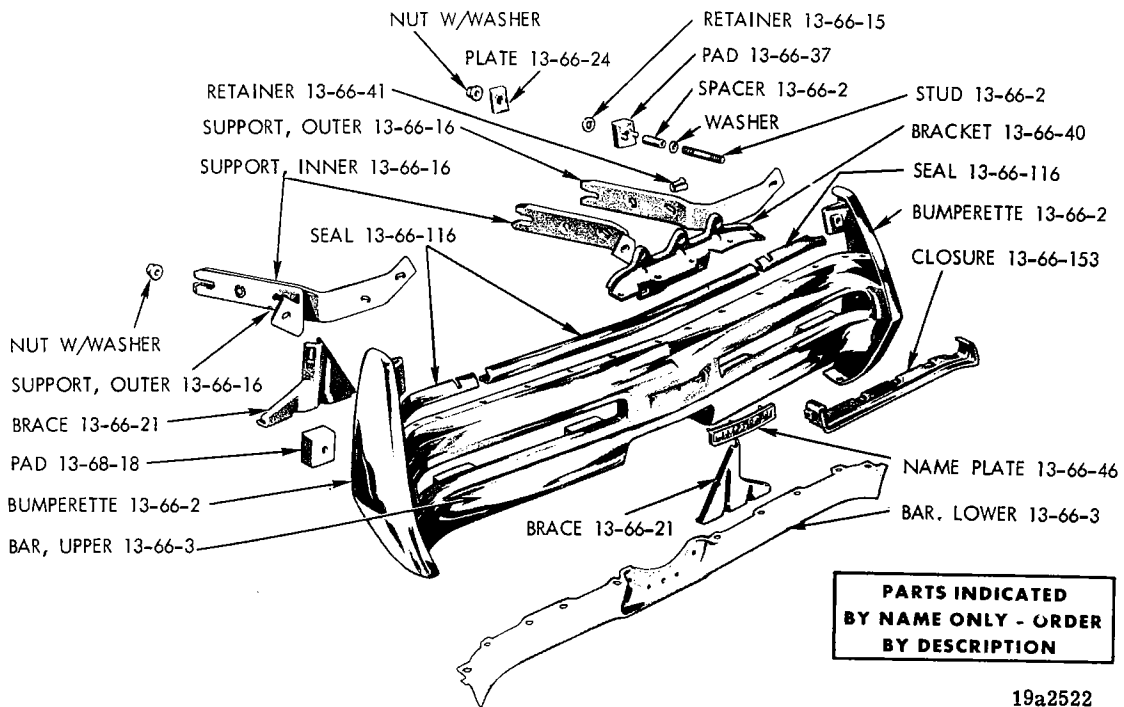


19a2462

REAR BUMPER - PLYMOUTH, DODGE AND CHRYSLER (STATION WAGON)



FRONT BUMPER - IMPERIAL



REAR BUMPER - IMPERIAL

CODE	PART NAME	ENG. TYPE OR CU.IN.	V	B	L	R	W	P	D	C	C	C	Y	PART NUMBER
			1-2	1-2	1-2	1-2	1-2	1-2	1-2	1	2	3	1	
13-01-0 FRAME OR FRONT FRAME STRUCTURE														
13-01-1	FRAME	6	—	—	—	—	—	1	—	—	—	—	—	2934 461
	Canada only	6	—	—	—	—	—	—	1	—	—	—	—	2934 461
		8	—	—	—	—	—	1	—	—	—	—	—	2934 459
		8	—	—	—	—	—	—	1	1	1	1	—	2934 460
		8	—	—	—	—	—	—	—	—	—	—	1	2925 901
13-01-6	STRUCTURE BRACKET, No. 1 C/Member Control Arm Strut		—	—	—	—	—	1	1	1	1	1	—	2461 626-7

13-10-0 FRAME ENGINE REAR SUPPORT AND TRANSMISSION CROSSMEMBER

13-10-1	C/MEMBER, Frame Trans. Mounting		1	1	1	—	—	—	—	—	—	—	—	2768 475
	3 Speed Manual and Auto. Trans.		—	—	—	1	1	—	—	—	—	—	—	2881 938
	4 Speed Manual Trans.		—	—	—	1	1	—	—	—	—	—	—	2530 668
	Nut, Frame Trans. Mounting C/Member		4	4	4	4	4	—	—	—	—	—	—	6023 353
			—	—	—	—	—	1	1	1	1	1	1	2925 299
	SCREW, w/WASHER, Upper Mounting		—	—	—	—	—	2	2	2	2	2	2	6026 489
	Side Mounting		—	—	—	—	—	8	8	8	8	8	—	6026 489
	Side Mounting		—	—	—	—	—	—	—	—	—	—	4	6026 489
13-10-12	BRACKET, Frame Trans. Mounting C/Member		—	—	—	—	—	1	1	1	1	1	1	2925 297

13-11-0 FRAME FRONT CROSSMEMBER

13-11-5	C/Member, Rear Anchor No. 1	8	—	—	—	—	—	—	—	—	—	—	1	2071 507
		8	—	—	—	—	—	1	1	1	1	1	—	2493 925
	No. 2	8	—	—	—	—	—	—	—	—	—	—	1	2534 056
		6	—	—	—	—	—	1	1	—	—	—	—	2934 938
		8	—	—	—	—	—	1	1	1	1	1	—	2934 936
		8	—	—	—	—	—	—	—	—	—	—	1	2925 903
		8	—	—	—	—	—	—	—	—	—	—	1	2071 514-5
13-11-17	ISOLATOR, Rear Anchor C/Member	8	—	—	—	—	—	—	—	—	—	—	AR	6025 558
	SCREW, w/WASHER	8	—	—	—	—	—	—	—	—	—	—	AR	9417 668
	NUT	8	—	—	—	—	—	—	—	—	—	—	1	2534 984-5
13-11-18	BRACKET, Isolator, Front Rear	8	—	—	—	—	—	—	—	—	—	—	1	2534 982-3

13-33-0 BATTERY SUPPORT TRAY

13-33-61	TRAY		1	1	1	—	—	—	—	—	—	—	—	2768 366
			—	—	—	1	1	—	—	—	—	—	1	2530 994
			—	—	—	—	—	1	1	1	1	1	—	2461 791
	SCREW, w/WASHER, Tray to Brace		3	3	3	—	—	—	—	—	—	—	—	6022 777
	Tray Support Brace to Tray		—	—	—	2	2	—	—	—	—	—	—	6022 895
	Tray to Fender Shield		—	—	—	2	2	—	—	—	—	—	—	6022 895
	Tray Support Brace to Tray		—	—	—	—	—	1	1	1	1	1	—	6026 822
	Tray to Fender Panel		—	—	—	—	—	1	1	1	1	1	—	6026 823
	Tray to Yoke		—	—	—	—	—	2	2	2	2	2	—	6026 822
	Support Tray to Bracket	8	—	—	—	—	—	—	—	—	—	—	2	6026 822
	Tray to Wheelhouse Panel	8	—	—	—	—	—	—	—	—	—	—	2	6026 822
	J-NUT, Tray to Brace		1	1	1	—	—	—	—	—	—	—	—	6023 171
	Tray to Frame		—	—	—	2	2	—	—	—	—	—	—	6023 171
	Tray to Fender Shield		—	—	—	1	1	—	—	—	—	—	—	6023 171
	Tray Support Brace to Tray		—	—	—	2	2	2	2	2	2	2	—	6023 171
13-33-62	BRACKET, Tray Support		—	—	—	—	—	—	—	—	—	—	1	2534 806
13-33-68	BRACE, Tray Support		1	1	1	—	—	—	—	—	—	—	—	2768 364
			—	—	—	2	2	—	—	—	—	—	—	2800 647
			—	—	—	—	—	1	1	1	1	1	—	2461 790
13-33-69	STRUT, Tray to Fender Shield		—	—	—	1	1	—	—	—	—	—	—	2768 348

TYPE LETTERS Indicates

B - Barracuda

V - Valiant
L - Dart

R - Belvedere
W - Coronet

P - Plymouth
D - Dodge

C - Chrysler
Y - Imperial

AR Indicates use as required.

Indicates parts not listed in any previous parts book.

Numerals in parentheses () refer to notes.

★ Indicates change or addition.

Printed in U.S.A.
January 1971

CODE	PART NAME	ENG. TYPE OR CU.IN.	V	B	L	R	W	P	D	C	C	C	Y	PART NUMBER
			1-2	1-2	1-2	1-2	1-2	1-2	1-2	1	2	3	1	
13-34-0 BATTERY HOLD-DOWN STRAP														
13-34-3	STRAP		1	1	1	1	1	—	—	—	—	—	1	1828 352
			—	—	—	—	—	1	1	1	1	1	—	2530 282
13-35-0 BATTERY HEAT SHIELD														
13-35-1	SHIELD, Police and Taxi, Std.		—	—	—	1	1	—	—	—	—	—	—	2768 352
	Police and Taxi, Std.		—	—	—	—	—	1	1	—	—	—	—	2530 975
	Std.		—	—	—	—	—	—	—	1	1	1	—	2530 975
	w/70 Amp. Battery only		—	—	—	1	1	—	—	—	—	—	—	2768 352
	w/70 Amp. Battery only		—	—	—	—	—	1	1	—	—	—	—	2530 975
	J-Nut		—	—	—	—	—	2	2	2	2	2	—	6023 167
13-36-0 BATTERY HOLD-DOWN STUD														
13-36-5	STUD, Inner		1	1	1	1	1	1	1	1	1	1	1	2074 089
	Outer		1	1	1	—	—	—	—	—	—	—	1	2534 814
	Outer		—	—	—	1	1	—	—	—	—	—	—	2534 815
	WING-NUT		2	2	2	2	2	—	—	—	—	—	—	6023 523
13-54-0 FRAME REAR SPRING HANGER														
13-54-4	HANGER, Front, Std.	6	2	2	2	—	—	—	—	—	—	—	—	2539 489
	H.D.	6	2	2	2	—	—	—	—	—	—	—	—	2403 768
	All	8	2	2	2	—	—	—	—	—	—	—	—	2403 768
	Except Sta. Wgn.		—	—	—	2	—	—	—	—	—	—	—	2834 740
	Sta. Wgn.		—	—	—	2	—	—	—	—	—	—	—	2462 088
	Except Sta. Wgn., Std.		—	—	—	—	2	—	—	—	—	—	—	2462 086
	Except Sta. Wgn., H.D.		—	—	—	—	2	—	—	—	—	—	—	2539 507
	426, 440 Eng.	8	—	—	—	—	2	—	—	—	—	—	—	2539 507
	Police Car	8	—	—	—	—	2	—	—	—	—	—	—	2539 507
	Sta. Wgn.		—	—	—	—	2	—	—	—	—	—	—	2462 088
	Except Sta. Wgn.		—	—	—	—	—	2	2	2	2	2	2	2403 798
	Sta. Wgn.		—	—	—	—	—	2	2	2	—	—	—	2403 988
13-54-11	BOLT, Hanger		8	8	8	8	8	8	8	8	8	8	8	2403 247
13-54-15	HANGER, Rear		2	2	2	—	—	—	—	—	—	—	—	2071 764
	Sta. Wgn.		—	—	—	2	2	—	—	—	—	—	—	2462 360
	Except Sta. Wgn.		—	—	—	—	2	2	2	2	2	—	—	2539 973
	Sta. Wgn.		—	—	—	—	2	2	2	—	—	—	—	2948 090-1
	Std.	8	—	—	—	—	—	—	—	—	—	—	2	2539 754
	H.D.	8	—	—	—	—	—	—	—	—	—	—	2	2539 973
13-64-0 FRONT BUMPER FACE BAR														
13-64-3	Bar, V		1	—	—	—	—	—	—	—	—	—	—	2768 575
	B		—	1	—	—	—	—	—	—	—	—	—	2768 602
	L		—	—	1	—	—	—	—	—	—	—	—	2768 625
	w/o Guards, R		—	—	—	1	—	—	—	—	—	—	—	2856 550
	w/Guards, R		—	—	—	1	—	—	—	—	—	—	—	2931 125
	Except Charger, W		—	—	—	—	1	—	—	—	—	—	—	2856 600
	Charger, W		—	—	—	—	1	—	—	—	—	—	—	2856 650
	w/o Guards, P		—	—	—	—	—	1	—	—	—	—	—	2931 200
	w/Guards, P		—	—	—	—	—	1	—	—	—	—	—	2931 201
	w/o Guards, D	8	—	—	—	—	—	—	1	—	—	—	—	2931 250
	w/Guards, D	8	—	—	—	—	—	—	1	—	—	—	—	2931 251
	w/o Guards, C-E, C-L, C-H,		—	—	—	—	—	—	—	—	—	—	—	
	C-P	8	—	—	—	—	—	—	—	1	—	1	—	2931 300
	w/Guards, C-E, C-L, C-H, C-P	8	—	—	—	—	—	—	—	1	—	1	—	2931 301
	w/o Guards	8	—	—	—	—	—	—	—	—	1	—	—	★2931 325
	w/Guards	8	—	—	—	—	—	—	—	—	1	—	—	★2931 326
	All	8	—	—	—	—	—	—	—	—	—	—	1	2931 400

TYPE LETTERS Indicates

B - Barracuda

V - Valiant
L - DartR - Belvedere
W - CoronetP - Plymouth
D - DodgeC - Chrysler
Y - Imperial

AR Indicates use as required.

Indicates parts not listed in any previous parts book.

Numerals in parentheses () refer to notes.

★ Indicates change or addition.

Printed in U.S.A.
January 1971

CODE	PART NAME	ENG. TYPE OR CU.IN.	V	B	L	R	W	P	D	C	C	C	Y	PART NUMBER
			1-2	1-2	1-2	1-2	1-2	1-2	1-2	1	2	3	1	
13-64-0 FRONT BUMPER FACE BAR Cont'd.														
13-64-4	SUPPORT, Inner, V		1											2768 578-9
	Outer, V		1											2768 580-1
	Inner, B			1										2768 582-3
	Outer, B			1										2768 584-5
	Inner, L				1									2768 628-9
	Outer, L				1									2768 630-1
	Inner, R					1								2856 554-5
	Outer, R					1								2856 556-7
	Inner, except Charger, W						1							2856 604-5
	Outer, except Charger, W						1							2856 606-7
	Inner, Charger, W						1							2856 654-5
	Outer, Charger, W						1							2856 656-7
	Inner, P							1						2931 204-5
	Outer, P							1						2931 206-7
	Inner, D	8							1					2931 256-7
	Outer, D	8							1					2931 258-9
	SUPPORT, Inner, C	8								1	1	1		2931 308-9
	Outer, C	8								1	1	1		2931 310-1
	Inner, Y	8											1	2931 418-9
	Outer, Y	8											1	2925 904-5
	BRACKET, Bumper Front	8											1	2534 064-5
13-64-5	BOLT, Bumper to Support		AR	AR	AR	AR	AR							6026 723
	Brace to Frame							AR	AR	AR	AR	AR	AR	6026 724
	Bumper to Jacking Brace	8											AR	6026 832
	BOLT, w/WASHER, Support to Frame		AR	AR	AR	AR	AR							6025 558
	U-NUT, Bumper to Brace								AR					6025 507
	Bumper to Air Shield	8											AR	6025 507
13-64-13	RETAINER							2	2					6026 958
	Brace to Frame									4	4	4		6028 251
	Bumper Support to Frame	8												
	NUT, w/RETAINER, Bumper to Inner Support	8								2	2	2		6028 176
13-64-26	CLOSURE, Bumper Front	8							2					2931 274
	CLOSURE, Bumper Upper, C-E, C-L	8								1				2931 327
	CLOSURE, Bumper Lower, C-E, C-L	8								1				2931 328-9
	CLOSURE, C-M	8									1			2931 336-7
	CLOSURE, Lower, C-H, C-P	8										1		2931 342-3
	CLOSURE, Y, All	8											1	2931 414
	CLOSURE, P/T Lamp	8											1	2931 424-5
	SCREW, w/WASHER, Closure	8								AR	AR	AR		6028 001
	CLIP, Closure to Moulding	8								AR	AR	AR		6002 706
	U-NUT, Closure	8								AR	AR	AR		6028 062
	NUT, w/WASHER, Bumper to Closure	8											AR	6023 204
	BOLT, w/RETAINER, Bumper to Closure	8											AR	6028 548
	Closure	8											AR	6028 548
	PLATE, Bumper Frame Reinforcement	8								2	2	2		2931 349
	BUTTON, Bumper Closure	8											2	2931 444
13-64-28	Shield, Bumper Front							1						2931 190-1
13-64-29	MOULDING PACKAGE, Bumper													
	Closure, Upper, C-E, C-L	8								1				2933 657
	Lower, C-E, C-L	8								1				2933 684-5
	End, C-E, C-L	8								1				2933 686-7
	MOULDING, Closure, C-H, C-P	8										1		2931 360
	Closure, Upper, C-M	8									1			2931 348
	Lower, C-M, C-H, C-P	8									1	1		2931 344-5
	End, C-M, C-H, C-P	8									1	1		2931 346-7
	Clip	8									AR	AR		6002 706
13-64-32	BRACKET, Bumper Seal	8								1	1	1		2931 319
	CLIP, Bumper Seal to Seal Bracket	8								12	12	12		6002 809

TYPE LETTERS Indicates B - Barracuda V - Valiant R - Belvedere P - Plymouth C - Chrysler
 L - Dart W - Coronet D - Dodge Y - Imperial

AR Indicates use as required. Numerals in parentheses () refer to notes. Printed in U.S.A.
 # Indicates parts not listed in any previous parts book. ★ Indicates change or addition. January 1971

CODE	PART NAME	ENG. TYPE OR CU.IN.	V	B	L	R	W	P	D	C	C	C	Y	PART NUMBER
			1-2	1-2	1-2	1-2	1-2	1-2	1-2	1	2	3	1	
13-64-0 FRONT BUMPER FACE BAR Cont'd.														
13-64-33	SEAL, Bumper to Hood	8	—	—	—	—	—	—	—	1	1	1	—	2931 318
		8	—	—	—	—	—	—	—	—	—	—	1	2931 422
13-64-34	RETAINER, Bumper End Seal	8	—	—	—	—	—	—	—	2	2	2	—	2931 436
	Bumper Center Seal	8	—	—	—	—	—	—	—	1	1	1	—	2931 437
	Bumper, Seal	8	—	—	—	—	—	—	—	—	—	—	1	2931 423
13-64-35	PAD, Bumper Alignment	8	—	—	—	—	—	—	—	2	2	2	—	2931 364
		8	—	—	—	—	—	—	—	—	—	—	2	2931 401
13-64-36	ROD, Bumper Alignment	8	—	—	—	—	—	—	—	2	2	2	—	2931 320
13-64-39	EXTENSION, Closure Bumper	—	—	—	—	—	—	—	2	—	—	—	—	2931 267
13-64-72	BRACKET, Bumper Center	8	—	—	—	—	—	—	—	1	1	1	—	2931 440-1
	Bumper Support, Outer	8	—	—	—	—	—	—	—	—	—	—	2	2534 061
	Bumper Support, Inner	8	—	—	—	—	—	—	—	—	—	—	1	2925 914-5
	BRACE, Bumper	—	—	—	—	—	—	1	—	—	—	—	—	2931 208
		8	—	—	—	—	—	—	1	—	—	—	—	2931 260
	Bumper Support, Charger	—	—	—	—	—	1	—	—	—	—	—	—	2856 659
	Inner Support	8	—	—	—	—	—	—	—	1	1	1	—	2931 312-3
	Bumper Jacking	8	—	—	—	—	—	—	—	—	—	—	1	2931 428-9
	REINFORCEMENT, Inner Support	8	—	—	—	—	—	—	—	—	—	—	2	2931 430
13-64-149	STABILIZER, Front	—	—	2	—	—	—	—	—	—	—	—	—	2768 608
	Charger	—	—	—	—	—	2	—	—	—	—	—	—	2856 668
	BOLT, Bumper to Stabilizer	—	—	2	—	—	—	—	—	—	—	—	—	6026 723
	Charger	—	—	—	—	—	2	—	—	—	—	—	—	6026 723
13-64-150	BRACKET, Bumper Alignment	—	—	—	—	—	—	—	—	1	1	1	—	2931 368-9
	Stud, Bracket	8	—	—	—	—	—	—	—	—	—	—	2	6027 624

13-66-0 REAR BUMPER FACE BAR

13-66-2	BUMPERETTE, 2 D. H.T.	8	—	—	—	—	—	—	—	—	—	—	1	2931 454-5
	4 D., 4 D. H.T.	8	—	—	—	—	—	—	—	—	—	—	1	2931 452-3
	NUT, w/RETAINER	8	—	—	—	—	—	—	—	—	—	—	2	6022 086
	BOLT, Lower Bumper to BUMPERETTE	8	—	—	—	—	—	—	—	—	—	—	2	6026 723
	Bumperette to Impact Pad	8	—	—	—	—	—	—	—	—	—	—	2	6026 648
	STUD, BUMPERETTE TO IMPACT PAD	8	—	—	—	—	—	—	—	—	—	—	2	6027 295
	SPACER, BUMPERETTE TO IMPACT PAD	8	—	—	—	—	—	—	—	—	—	—	2	6027 973
13-66-3	BAR, V	—	1	—	—	—	—	—	—	—	—	—	—	2768 600
	B	—	—	1	—	—	—	—	—	—	—	—	—	2768 602
	w/o Guards, L	—	—	—	1	—	—	—	—	—	—	—	—	2856 525
	w/Guards, L	—	—	—	1	—	—	—	—	—	—	—	—	2856 526
	w/o Guards, except Sta. Wgn., R	—	—	—	—	1	—	—	—	—	—	—	—	2931 140
	w/Guards, except Sta. Wgn., R	—	—	—	—	1	—	—	—	—	—	—	—	2931 141
	Except Sta. Wgn., except Charger, W	—	—	—	—	—	1	—	—	—	—	—	—	2856 625
	Sta. Wgn., R, W	—	—	—	—	1	1	—	—	—	—	—	—	2856 595
	Charger, W	—	—	—	—	—	1	—	—	—	—	—	—	2856 675
	Except Sta. Wgn., w/o Guards, P	—	—	—	—	—	—	1	—	—	—	—	—	2931 225
	Except Sta. Wgn., w/Guards, P	—	—	—	—	—	—	—	1	—	—	—	—	2931 226
	Except Sta. Wgn., w/0 Guards, D	8	—	—	—	—	—	—	1	—	—	—	—	2931 275
	Except Sta. Wgn., w/Guards, D	8	—	—	—	—	—	—	1	—	—	—	—	2931 276
	Except Sta. Wgn., C-E, C-L, w/o Guards	8	—	—	—	—	—	—	—	1	—	—	—	2931 375
	Except Sta. Wgn., C-E, C-L, w/Guards	8	—	—	—	—	—	—	—	1	—	—	—	2931 376
	C-M, C-H	8	—	—	—	—	—	—	—	—	1	1	—	2931 377
	Sta. Wgn., w/o Step-Pad	—	—	—	—	—	—	1	1	—	—	1	—	2931 244
	Sta. Wgn., w/Step-Pad	—	—	—	—	—	—	1	1	—	—	1	—	2931 245
	Upper, Y	8	—	—	—	—	—	—	—	—	—	—	1	2931 450
	Lower, Y	8	—	—	—	—	—	—	—	—	—	—	1	2931 451

TYPE LETTERS Indicates

B - Barracuda

V - Valiant
L - DartR - Belvedere
W - CoronetP - Plymouth
D - DodgeC - Chrysler
Y - Imperial

AR Indicates use as required.

Indicates parts not listed in any previous parts book.

Numerals in parentheses () refer to notes.

★ Indicates change or addition.

Printed in U.S.A.
January 1971

CODE	PART NAME	ENG. TYPE OR CU.IN.	V	B	L	R	W	P	D	C	C	C	Y	PART NUMBER
			1-2	1-2	1-2	1-2	1-2	1-2	1-2	1	2	3	1	
13-66-0 REAR BUMPER FACE BAR Cont'd.														
13-66-15	SEAL, Bumper to Body Sta. Wgn.								1	1			1	2931 514-5
	Support to Frame			4										6026 579
	Impact Bracket to Sheet Metal		2		2									6026 579
	Support to Frame, Charger						4							6026 579
	BOLT, Impact Pad to Sheet Metal, except Sta. Wgn.								2	2	2	2	2	6027 296
	Sta. Wgn.					2	2							6027 171
	Bumper to Support, except Sta. Wgn.	AR	AR	AR	AR	AR								6026 723
	Sta. Wgn.				AR	AR								6026 544
	Bumper to Support							4	4	4	4	4		6026 724
	Support to Frame, Charger						4							6025 855
	Bumper, to Impact Bracket		2		2									6026 723
	Bumper to Impact Bracket								2	2	2	2	2	6026 724
	RETAINER, Bumper Support to Frame		4	4	4									6026 647
	Impact Pad to Sheet Metal		2		2	2	2	2	2	2	2	2		6026 648
	Bumper Bracket to Impact Pad							2	2	2	2	2		6026 648
	Impact Pad to Sheet Metal, Sta. Wgn.					4	4							6026 648
	STUD, Bumper Bracket to Impact Pad, Sta. Wgn.							2	2			2		6026 805
	Bumper Bracket to Support, Sta. Wgn.				2	2								6027 170
	NUT, w/WASHER, Impact Pad to Sheet Metal, Sta. Wgn.				2	2								6025 012
	Impact Bracket to Sheet Metal, except Sta. Wgn.		2		2			2	2	2	2	2		6025 012
	SCREW, w/WASHER, Support to Frame							4	4	4	4	4	4	6025 295
13-66-16	SUPPORT, V		1											2768 604-5
	B			1										2768 612-3
	L				1									2768 654-5
	Except Sta. Wgn., R					1								2856 580-1
	Except Sta. Wgn., W						1							2856 630-1
	Sta. Wgn., R, W					1	1							2856 582-3
	Charger, W							1						2856 680-1
	Except Sta. Wgn., Inner, P								1					2931 232-3
	Except Sta. Wgn., Outer, P								1					2931 234-5
	Except Sta. Wgn., Inner, D	8								1				2931 282-3
	Except Sta. Wgn., Outer, D	8									1			2931 284-5
	Except Sta. Wgn., Inner, C	8									1	1	1	2931 382-3
	Except Sta. Wgn., Outer, C	8									1	1	1	2931 384-5
	Sta. Wgn., Inner							1	1				1	2931 240-1
	Sta. Wgn., Outer							1	1				1	2931 242-3
	Inner, Y	8												2931 468-9
	Outer, Y	8												2931 472-3
13-66-21	BRACE, Bumper Jacking Sta. Wgn.								1	1			1	2931 228-9
														2931 484-5
13-66-24	PLATE, C/Member Bumper Mounting, Sta. Wgn.,													
		Rt.				1	1							2860 620
		Lt.				1	1							2860 583
	PLATE, Bumper Reinforcement	8											2	2931 525
13-66-37	PAD, Bumperette Adjusting	8											2	2931 478
13-66-40	BRACKET, Bumper Light	8											1	2931 480-1
13-66-41	RETAINER, Bumper Inner to Outer Support, except Sta. Wgn.								2		2	2	2	2768 923
	Inner Support to Quarter Support, Sta. Wgn.								2	2			2	2768 923

TYPE LETTERS Indicates

B - Barracuda

V - Valiant
L - Dart

R - Belvedere
W - Coronet

P - Plymouth
D - Dodge

C - Chrysler
Y - Imperial

AR Indicates use as required.

Indicates parts not listed in any previous parts book.

Numerals in parentheses () refer to notes.

★ Indicates change or addition.

Printed in U.S.A.

January 1971

1969 PASSENGER CAR PARTS CATALOG

CODE	PART NAME	ENG. TYPE OR CU.IN.	V	B	L	R	W	P	D	C	C	C	Y	PART NUMBER
			1-2	1-2	1-2	1-2	1-2	1-2	1-2	1	2	3	1	
13-66-0 REAR BUMPER FACE BAR Cont'd.														
13-66-44	BRACKET, Bumper Impact		1	—	—	—	—	—	—	—	—	—	—	2768 606-7
	All		—	—	1	—	—	—	—	—	—	—	—	2768 656-7
	Except Sta. Wgn.		—	—	—	—	—	1	—	—	—	—	—	2931 236-7
	Except Sta. Wgn.	8	—	—	—	—	—	—	1	—	—	—	—	2931 286-7
	Except Sta. Wgn.	8	—	—	—	—	—	—	—	1	1	1	—	2931 386-7
	Sta. Wgn.		—	—	—	—	—	1	1	—	—	1	—	2894 490-1
13-66-46	NAME PLATE, Bumper	8	—	—	—	—	—	—	—	—	—	—	1	2931 490
	NUT, w/WASHER	8	—	—	—	—	—	—	—	—	—	—	3	6023 204
13-66-116	SEAL, Deck Opening Lower Panel		—	—	—	—	—	2	—	—	—	—	—	3445 810
	To Bumper, Except Sta. Wgn.	8	—	—	—	—	—	—	—	2	2	2	—	3445 811
		8	—	—	—	—	—	—	—	—	—	—	1	2931 498
13-66-135	STABILIZER, Rear		—	2	—	—	—	—	—	—	—	—	—	2768 608
13-66-141	SPACER, Bumperette, .054 thk.	8	—	—	—	—	—	—	—	—	—	—	AR	2931 491
	.109 thk.	8	—	—	—	—	—	—	—	—	—	—	AR	2931 492
13-66-147	STEP-PAD, Sta. Wgn.		—	—	—	—	—	1	1	—	—	1	—	2931 510-1
13-66-148	CUSHION, Step-Pad, Sta. Wgn.		—	—	—	—	—	2	2	—	—	2	—	2931 512
	P, D, C		—	—	—	—	—	2	2	2	—	—	—	2931 512
13-66-153	CLOSURE, Bumper to Tail Light	8	—	—	—	—	—	—	—	—	—	—	1	2931 488-9

13-68-0 BUMPER GUARDS

13-68-6	GUARD, Front, V		2	—	—	—	—	—	—	—	—	—	—	2768 588
	B		—	1	—	—	—	—	—	—	—	—	—	2768 594-5
	L		—	—	1	—	—	—	—	—	—	—	—	2768 634-5
	R		—	—	—	1	—	—	—	—	—	—	—	2931 132-3
	Except Charger		—	—	—	—	1	—	—	—	—	—	—	2856 610-1
	Charger, Short Type		—	—	—	—	—	2	—	—	—	—	—	2856 662
	Long Type		—	—	—	—	—	1	—	—	—	—	—	2931 252-3
	P		—	—	—	—	—	—	2	—	—	—	—	2931 212
	D		—	—	—	—	—	—	—	1	—	—	—	2931 264-5
	C		—	—	—	—	—	—	—	—	1	1	1	2931 351
	GUARD, Rear, V		2	—	—	—	—	—	—	—	—	—	—	2768 616
	B	Rt.	—	1	—	—	—	—	—	—	—	—	—	2768 595
	B	Lt.	—	1	—	—	—	—	—	—	—	—	—	2768 594
	L		—	—	2	—	—	—	—	—	—	—	—	2768 662
	Except Sta. Wgn., R		—	—	—	1	—	—	—	—	—	—	—	2931 146-7
	Except Sta. Wgn., W		—	—	—	—	2	—	—	—	—	—	—	2856 633
	Charger		—	—	—	—	2	—	—	—	—	—	—	2856 682
	Except Sta. Wgn., P		—	—	—	—	—	2	—	—	—	—	—	2931 502
	Except Sta. Wgn., D	8	—	—	—	—	—	—	2	—	—	—	—	2931 294
	Except Sta. Wgn.	8	—	—	—	—	—	—	—	1	1	1	—	2931 388-9
13-68-18	CUSHION, Guard, Front, V		2	—	—	—	—	—	—	—	—	—	—	2533 342
	B		—	2	—	—	—	—	—	—	—	—	—	2768 596
	L		—	—	2	—	—	—	—	—	—	—	—	2768 636
	R		—	—	—	2	—	—	—	—	—	—	—	2931 148
	Except Charger		—	—	—	—	2	—	—	—	—	—	—	2856 612
	P		—	—	—	—	—	2	—	—	—	—	—	2931 214
	D		—	—	—	—	—	—	2	—	—	—	—	2931 266
	C		—	—	—	—	—	—	—	1	1	1	—	2931 352
	CUSHION, Guard, Rear, V		2	—	—	—	—	—	—	—	—	—	—	2533 342
	B		—	2	—	—	—	—	—	—	—	—	—	2768 596
	L		—	—	2	—	—	—	—	—	—	—	—	2768 636
	Except Sta. Wgn., R		—	—	—	2	—	—	—	—	—	—	—	2931 148
	Except Sta. Wgn. and Charger		—	—	—	—	2	—	—	—	—	—	—	2856 612
	Except Sta. Wgn., P		—	—	—	—	—	2	—	—	—	—	—	2931 214
	Except Sta. Wgn., D	8	—	—	—	—	—	—	2	—	—	—	—	2931 266
	PAD, Rear Bumper Impact, Except Sta. Wgn.		—	—	—	—	—	2	2	2	2	2	—	2533 622

TYPE LETTERS Indicates B - Barracuda V - Valiant R - Belvedere P - Plymouth C - Chrysler
 L - Dart W - Coronet D - Dodge Y - Imperial

AR Indicates use as required.

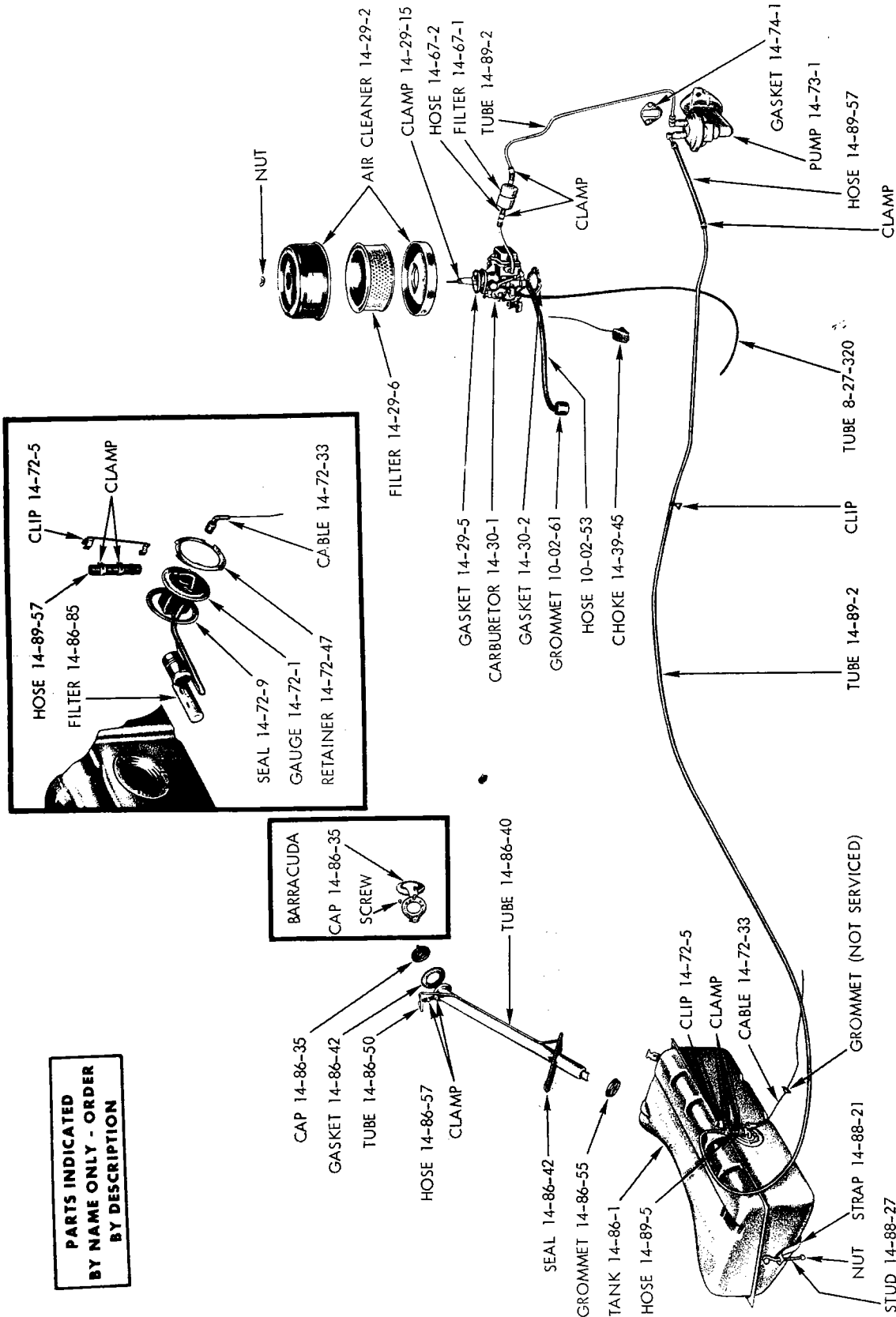
Indicates parts not listed in any previous parts book.

Numerals in parentheses () refer to notes.

★ Indicates change or addition.

Printed in U.S.A.
 January 1971

GROUP 14 - FUEL

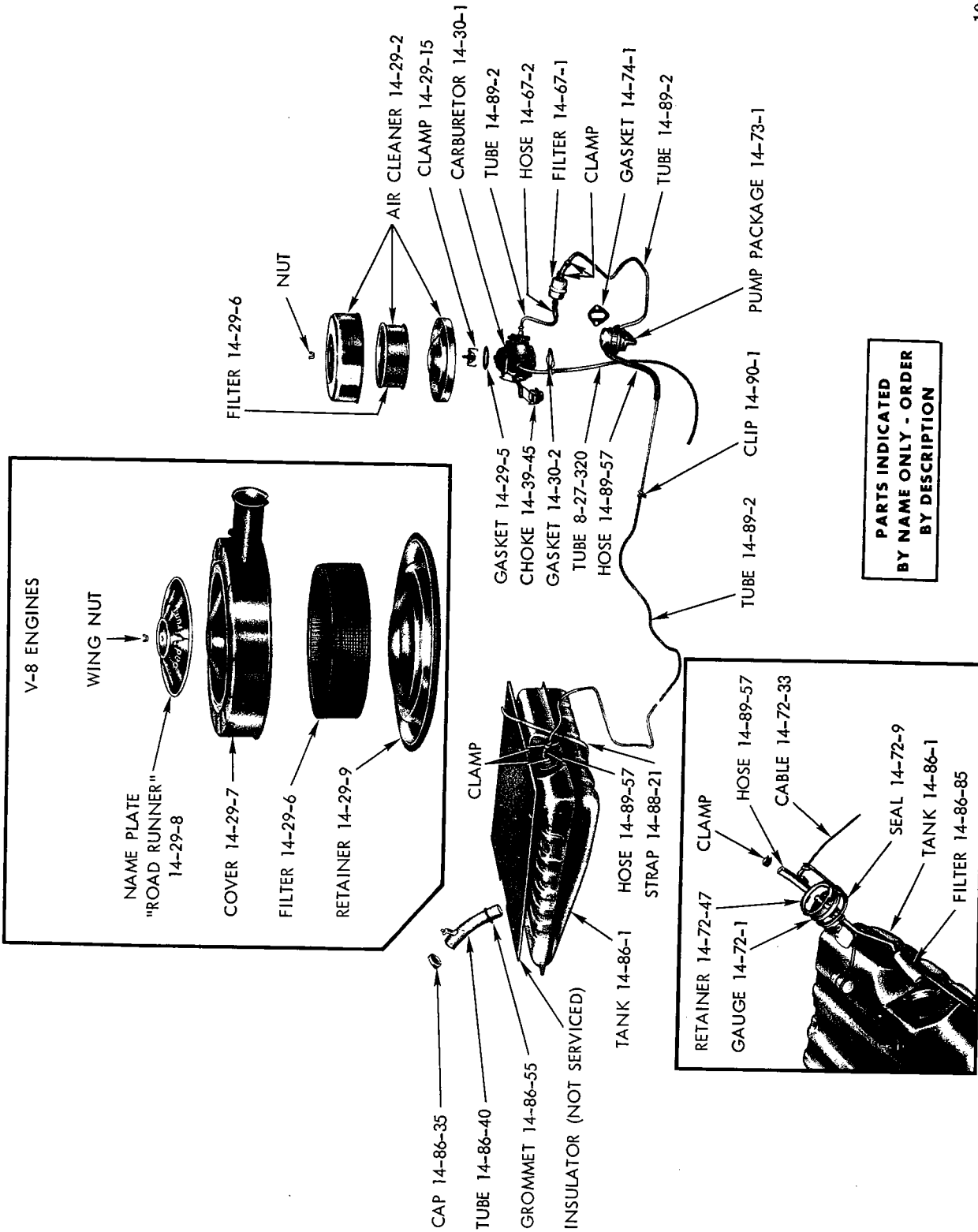


PARTS INDICATED BY NAME ONLY - ORDER BY DESCRIPTION

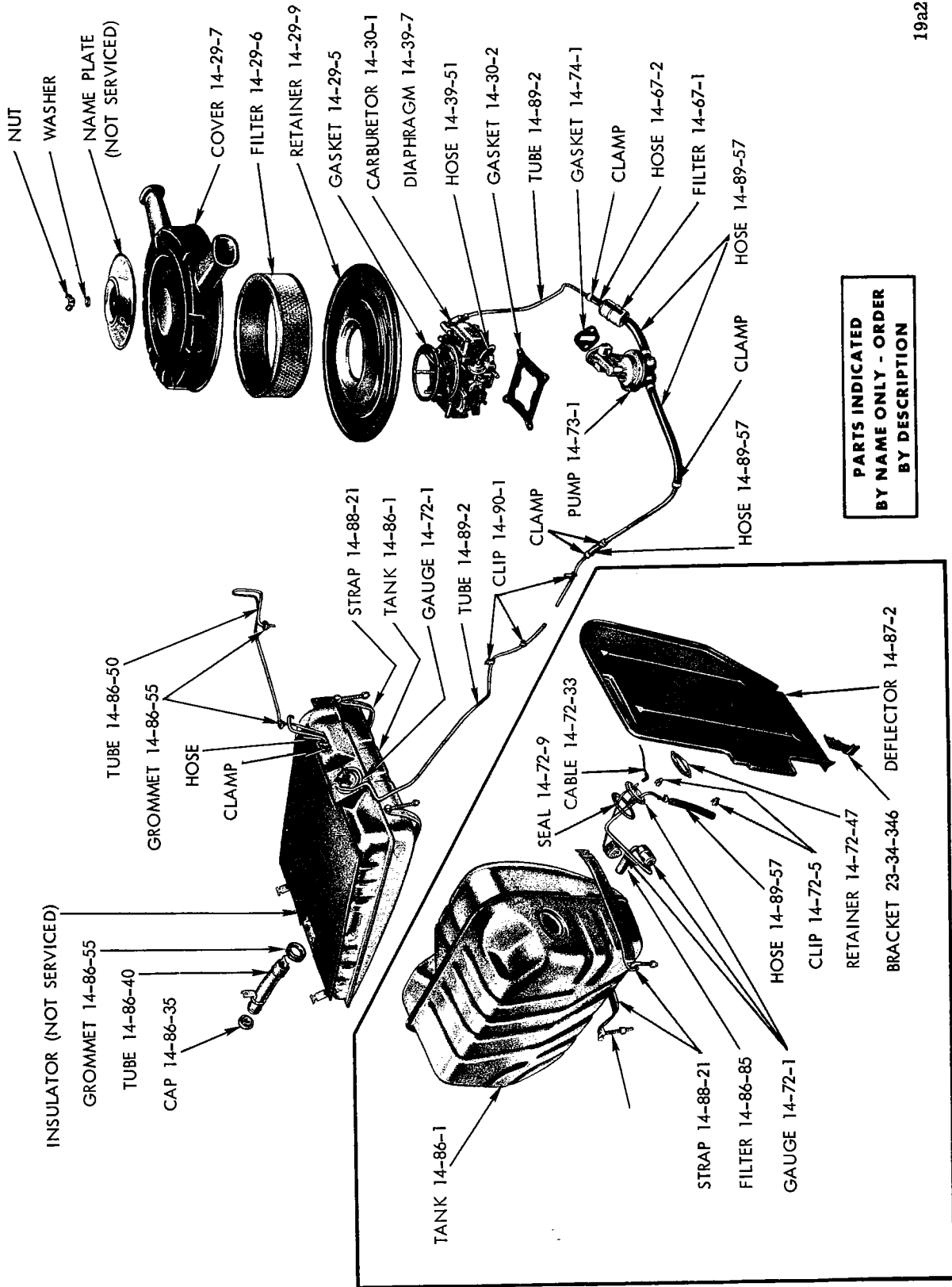
19a1084A

FUEL SYSTEM - VALIANT, DART AND BARRACUDA

19a2795



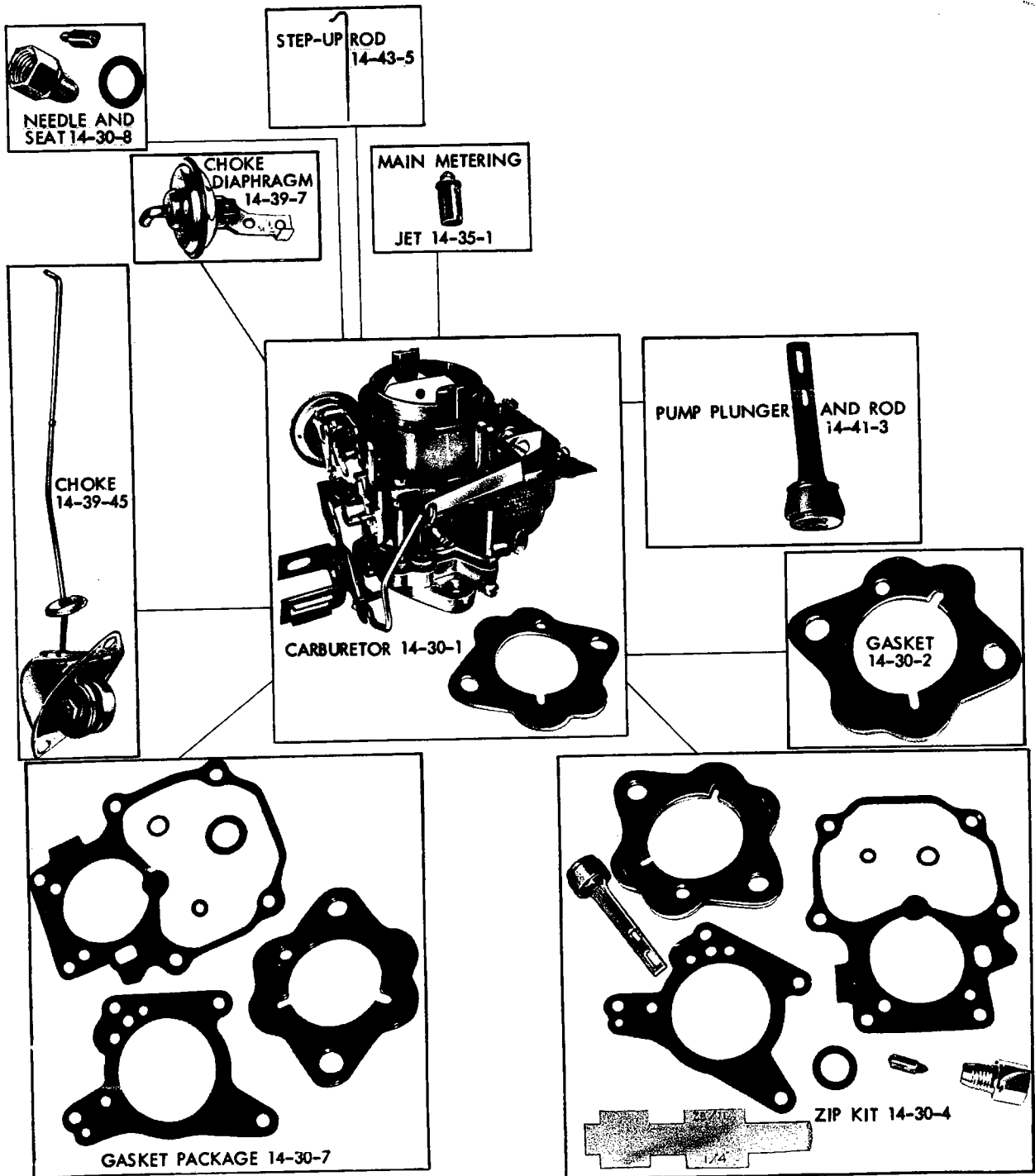
FUEL SYSTEM - BELVEDERE, CORONET AND CHARGER



PARTS INDICATED BY NAME ONLY - ORDER BY DESCRIPTION

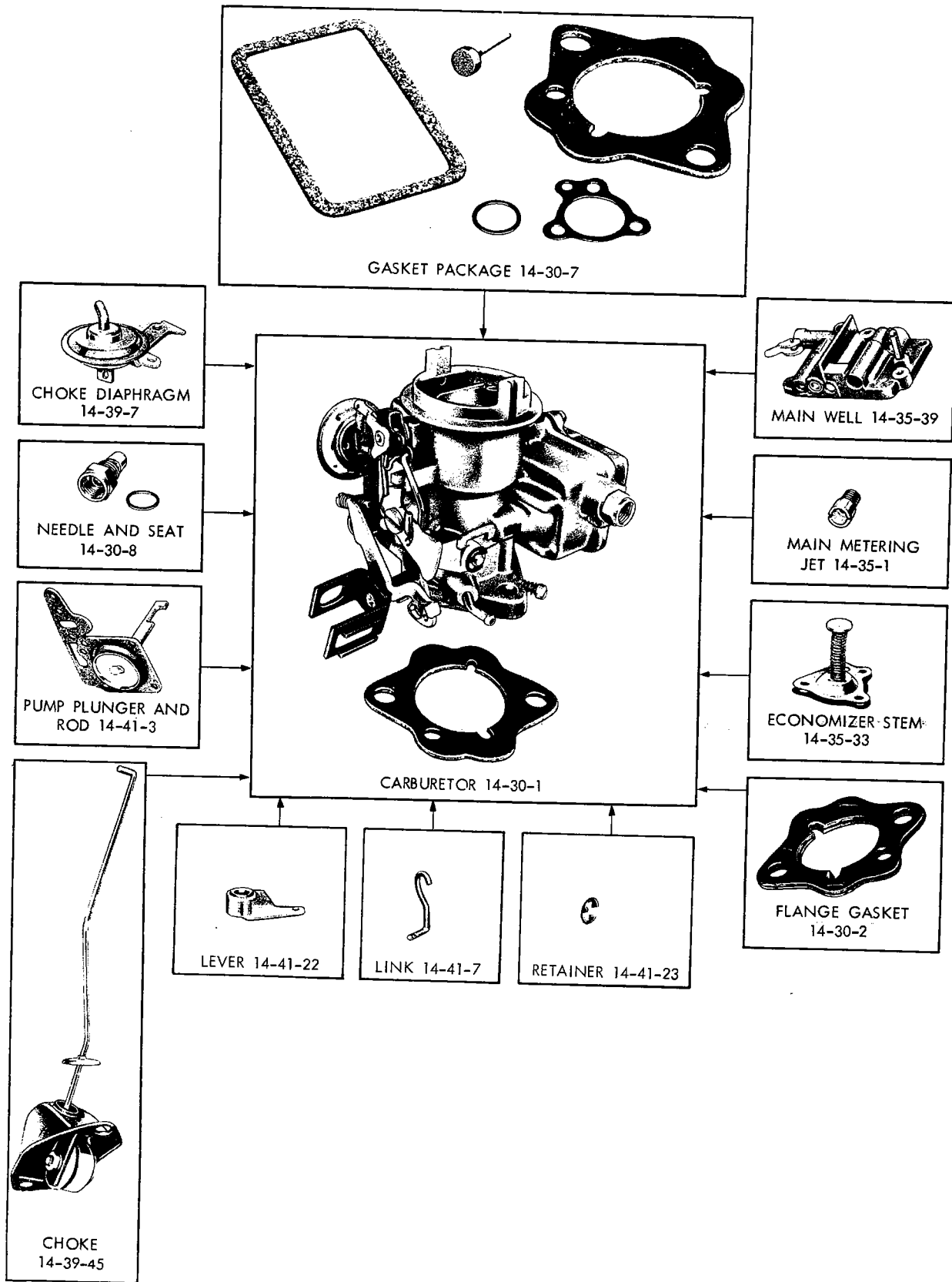
19a2796

FUEL SYSTEM - PLYMOUTH, DODGE, CHRYSLER AND IMPERIAL (WITH STATION WAGON INSERT)



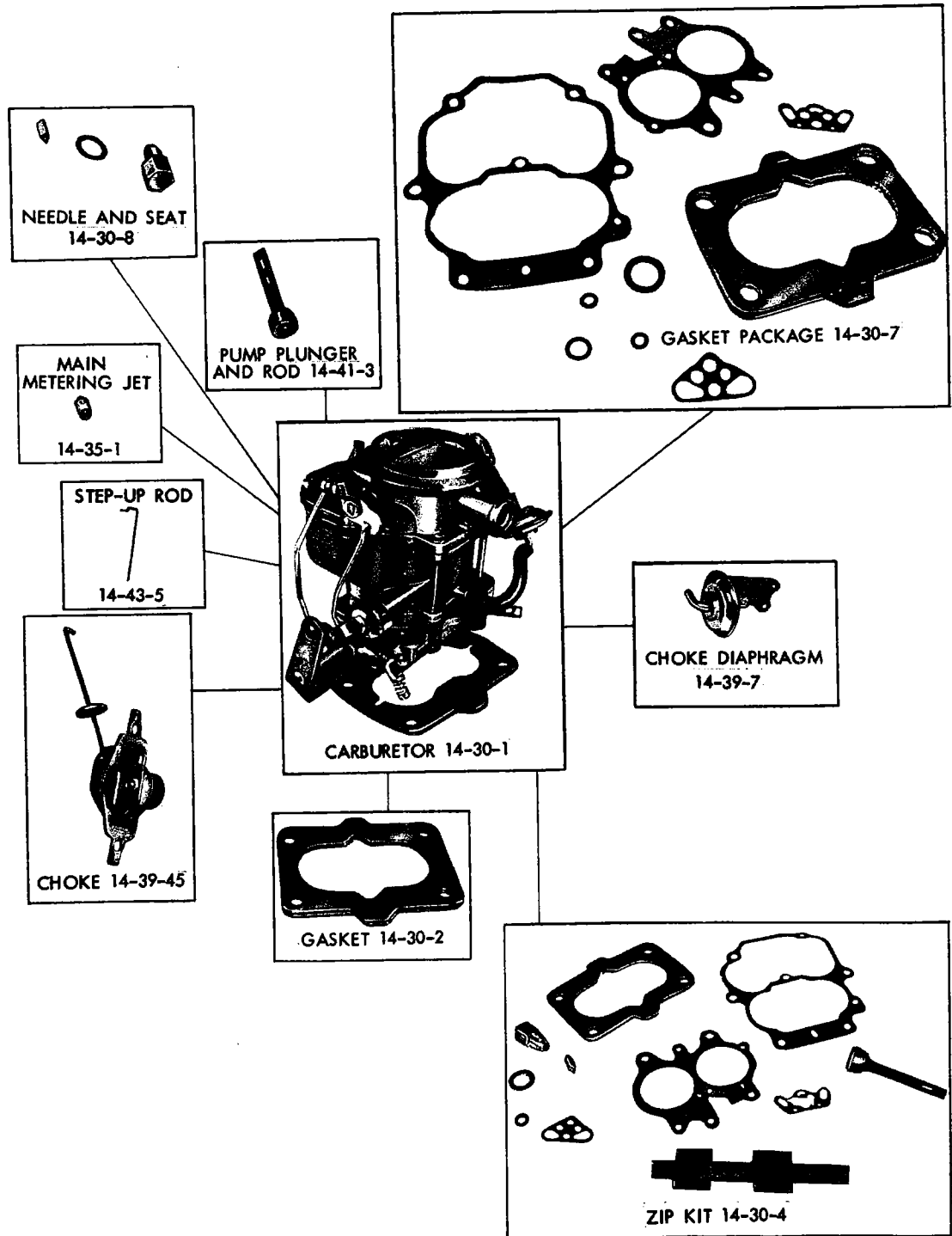
19x9978 A

1 BARREL CARBURETOR AND COMPONENTS - CARTER



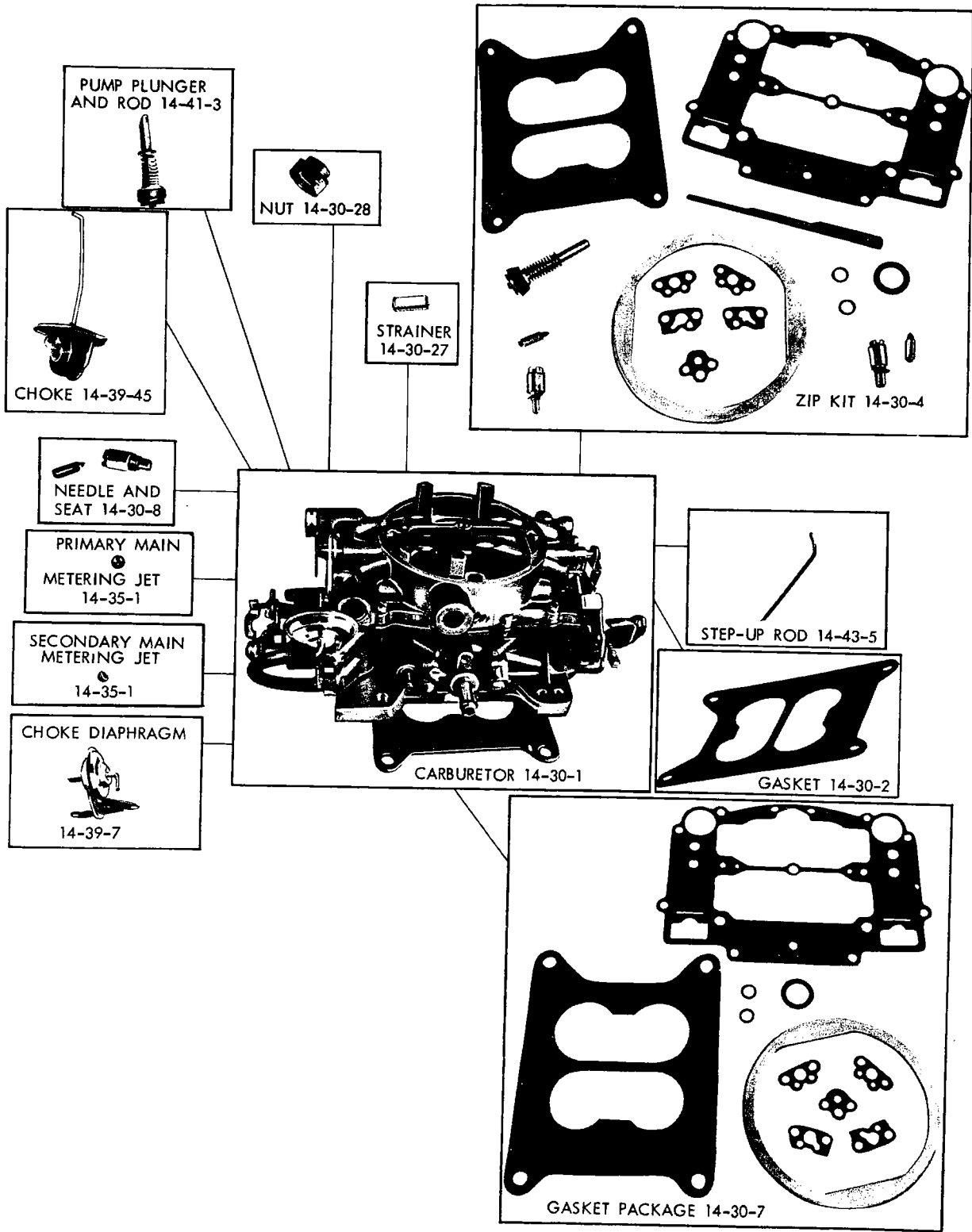
19x9984 A

1 BARREL CARBURETOR AND COMPONENTS - HOLLEY



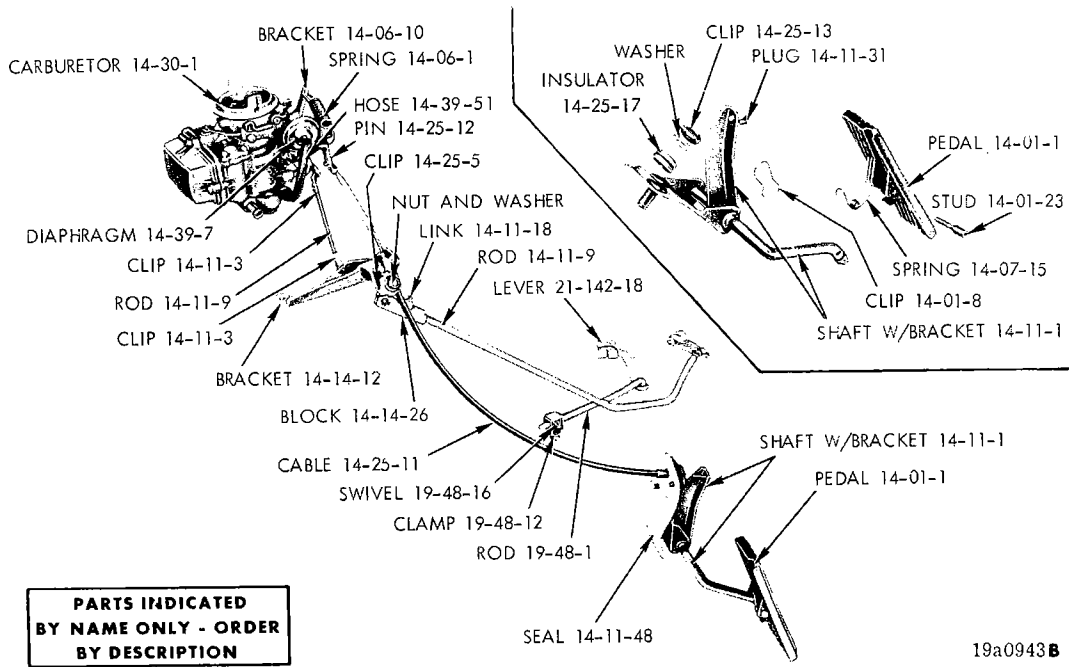
19x9980A

2 BARREL CARBURETOR AND COMPONENTS - CARTER

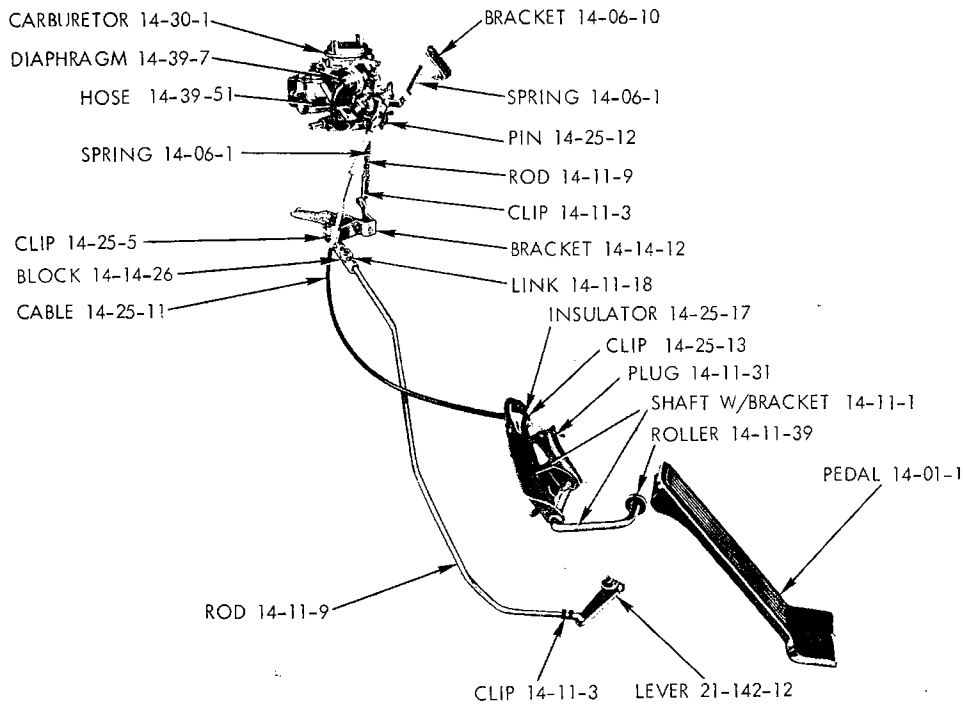


19x9981A

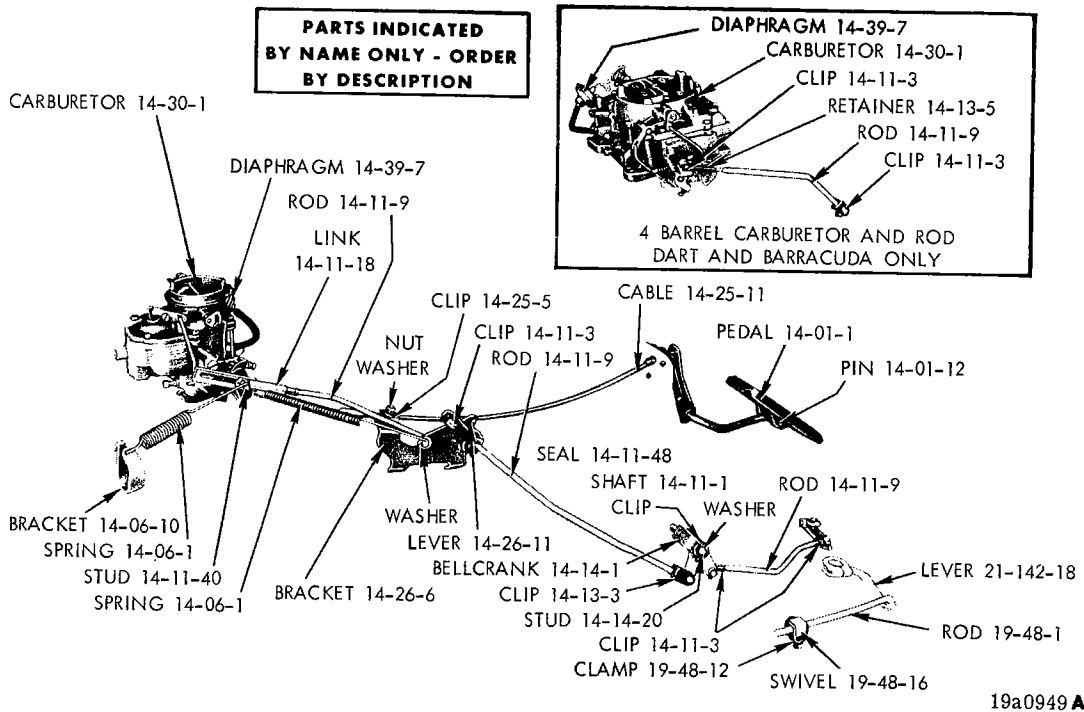
4 BARREL CARBURETOR AND COMPONENTS - CARTER



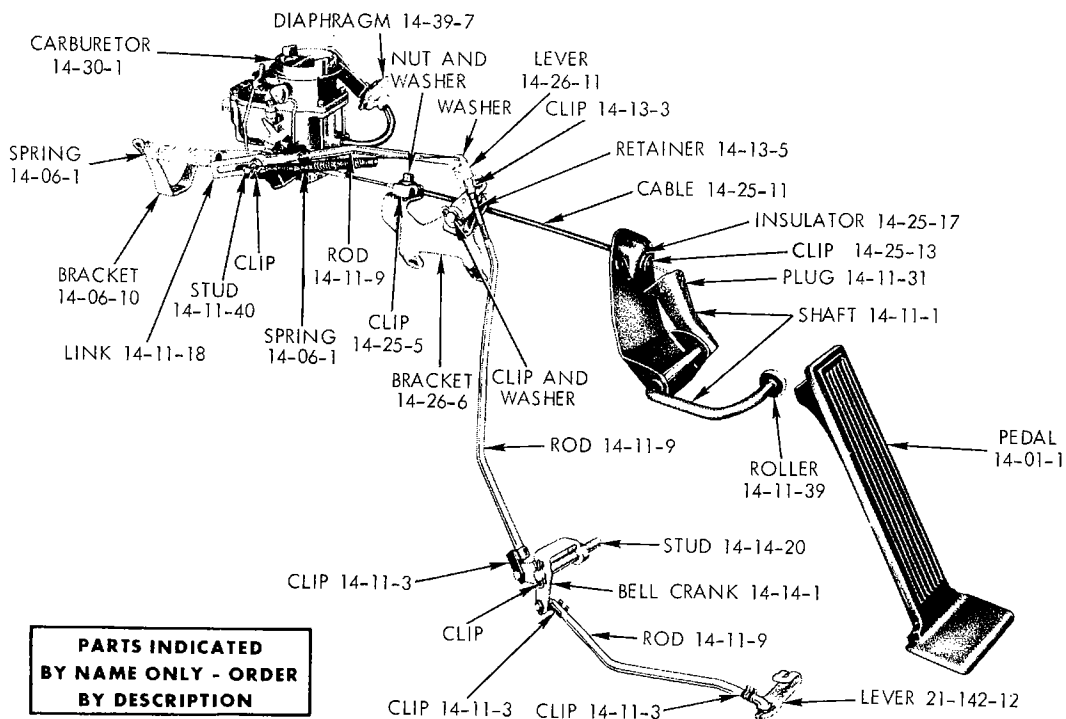
THROTTLE LINKAGE (6 CYLINDER) - VALIANT, DART AND BARRACUDA



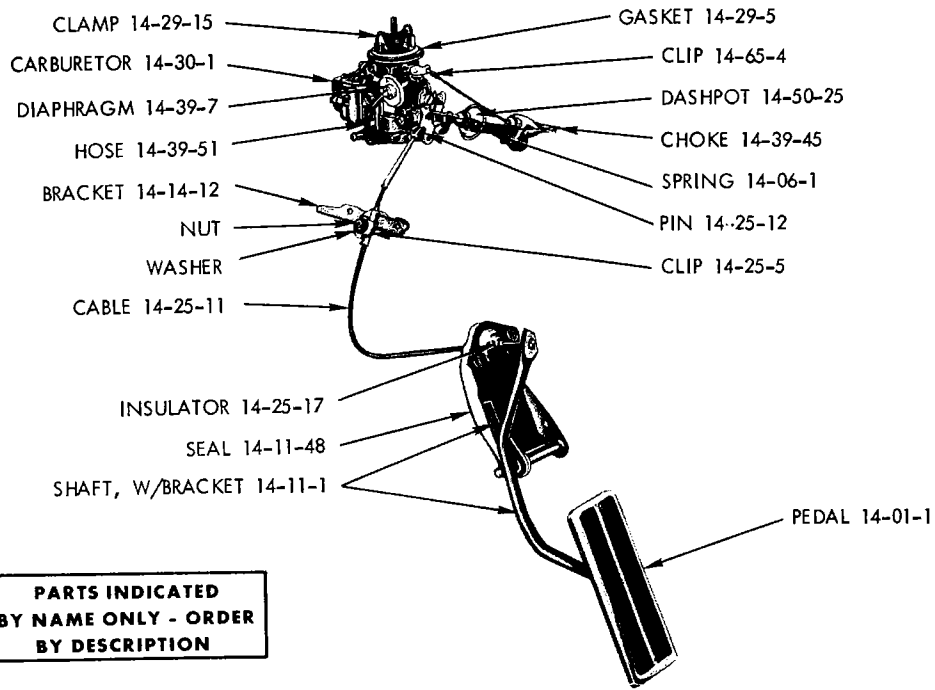
THROTTLE LINKAGE (6 CYLINDER) - BELVEDERE AND CORONET



THROTTLE LINKAGE (8 CYLINDER-273) - VALIANT, DART AND BARRACUDA

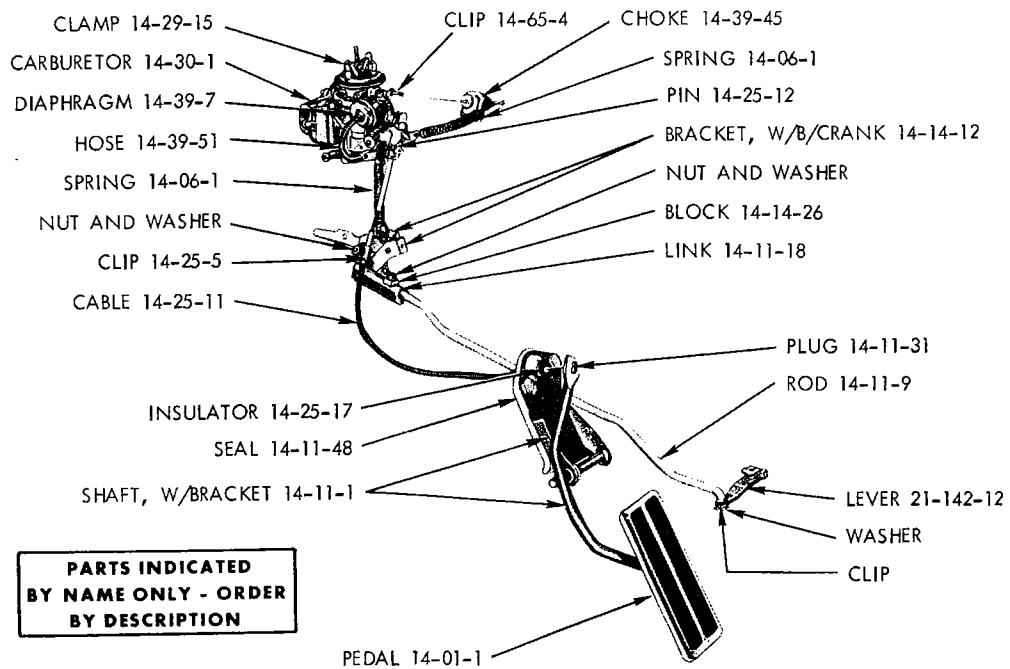


THROTTLE LINKAGE (8 CYLINDER) - BELVEDERE AND CORONET



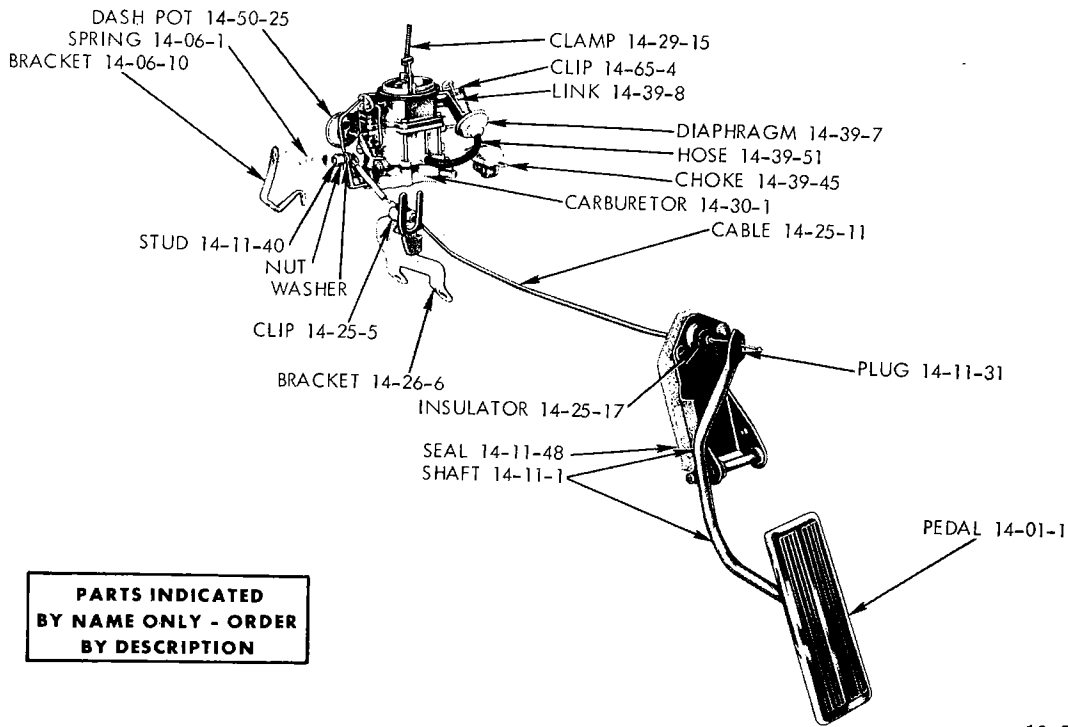
19a2797

THROTTLE LINKAGE SYSTEM (6 CYLINDER) - PLYMOUTH WITH STANDARD TRANSMISSION



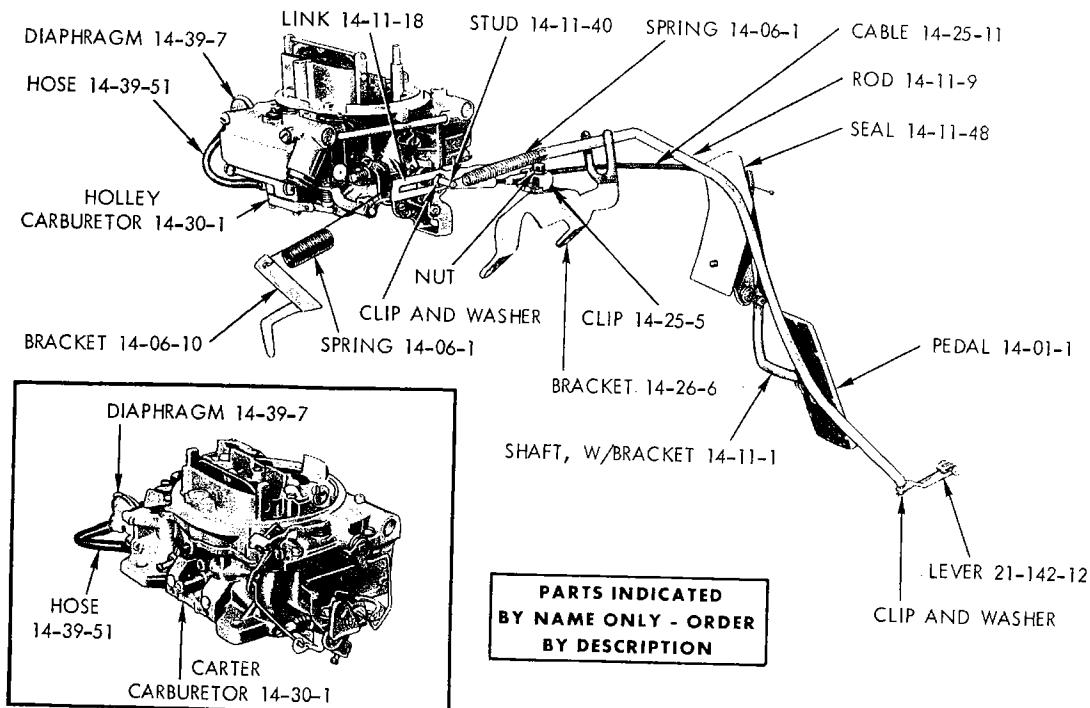
19a2793

THROTTLE LINKAGE (AUTOMATIC TRANSMISSION) - PLYMOUTH 6 CYLINDER



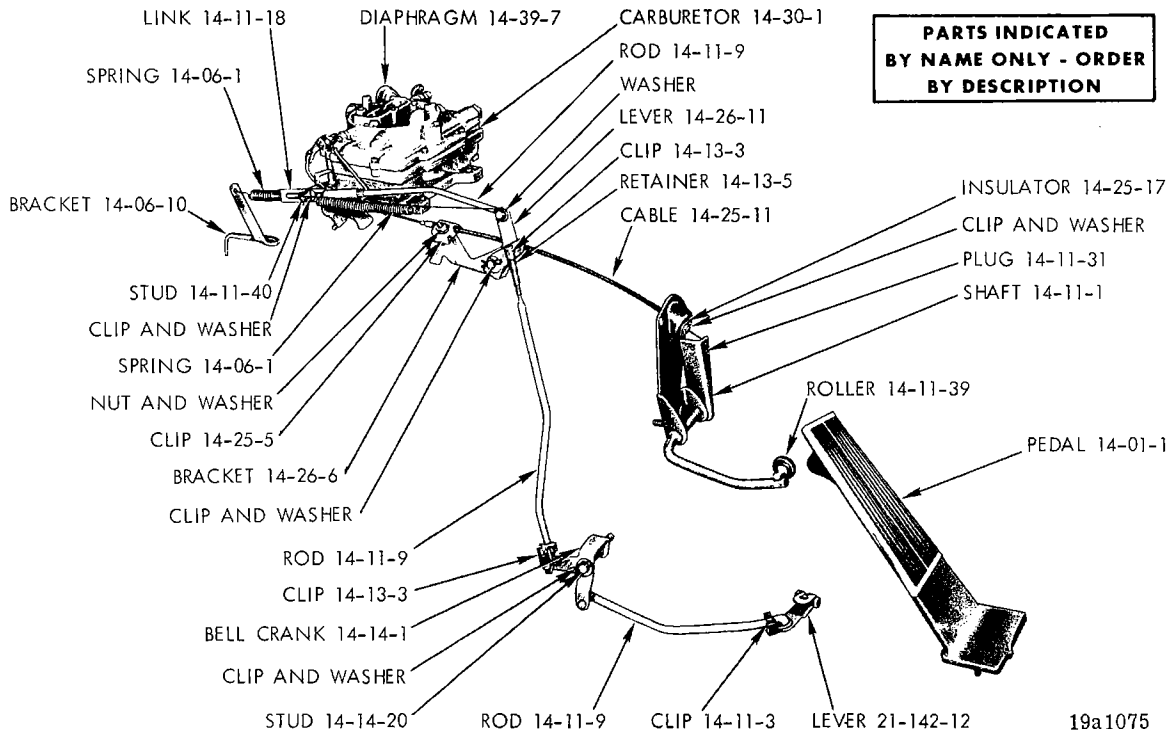
19a2792

THROTTLE LINKAGE (MANUAL TRANSMISSION) - PLYMOUTH AND DODGE 318 ENGINE

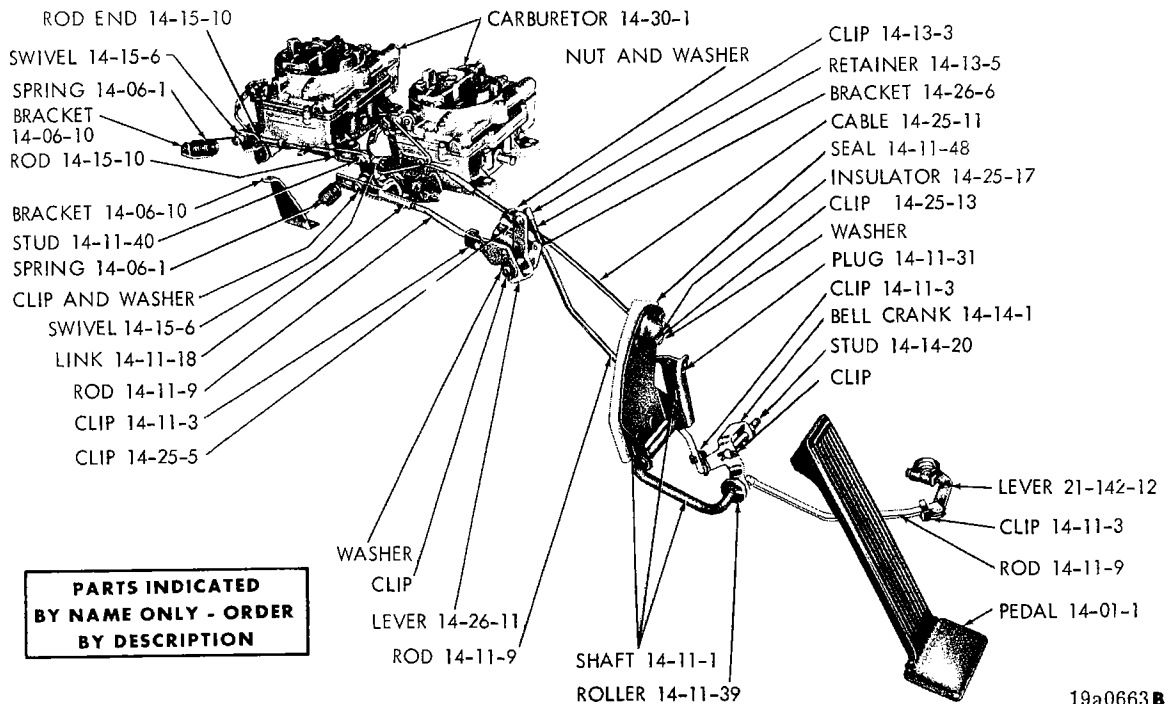


19a2803

THROTTLE LINKAGE (383 AND 440 ENGINE) - PLYMOUTH, DODGE, CHRYSLER AND IMPERIAL

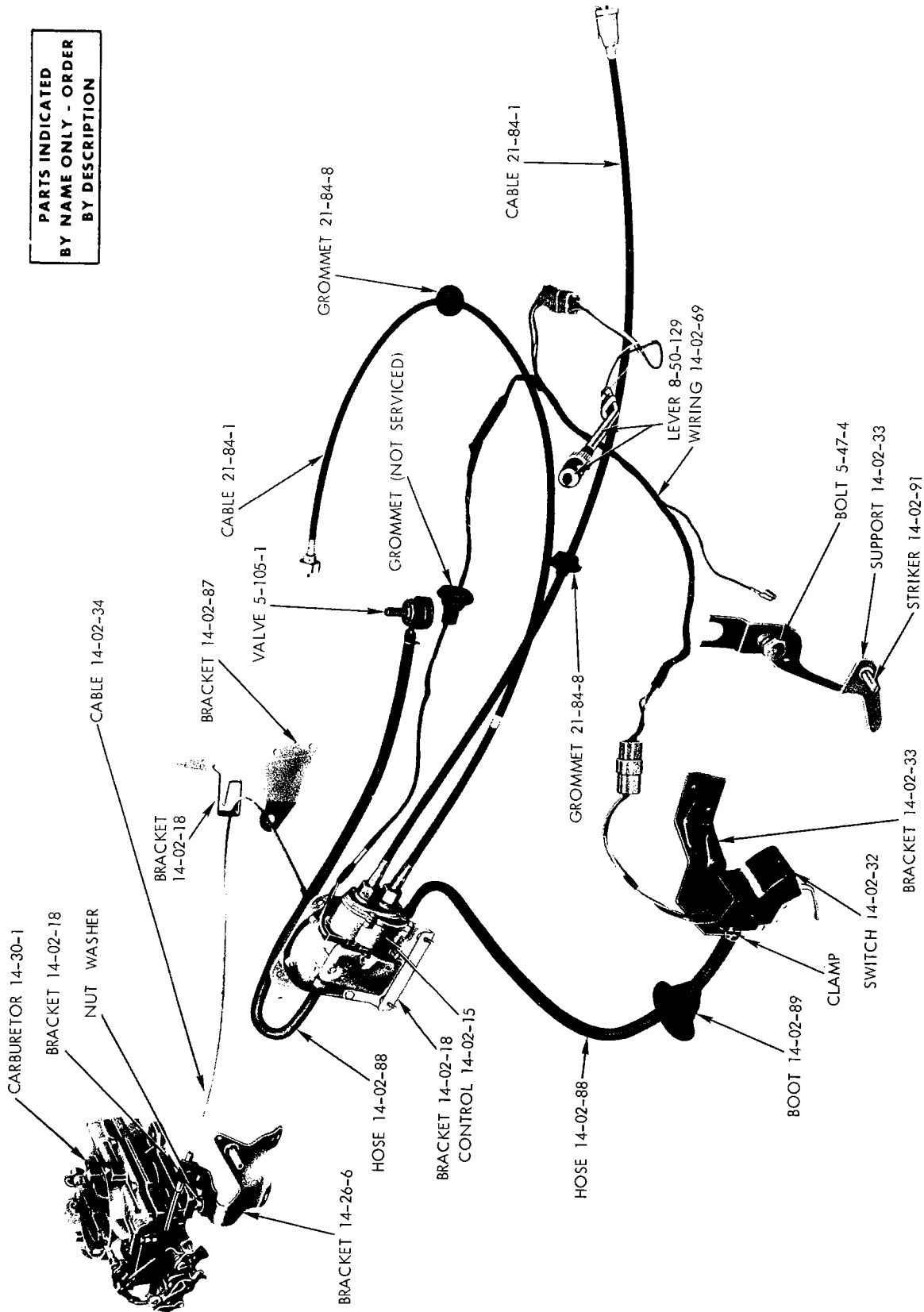


THROTTLE LINKAGE (383 AND 440 ENGINE-WITH AUTOMATIC TRANSMISSION) - BELVEDERE AND CORONET



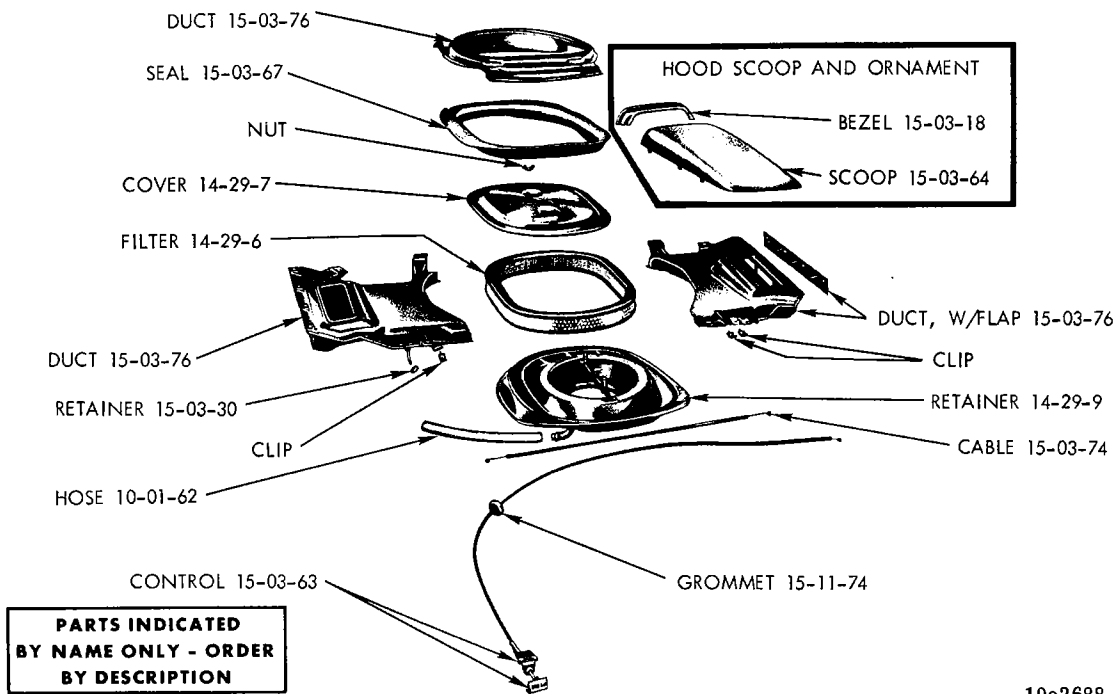
THROTTLE LINKAGE (426 ENGINE-AUTOMATIC TRANSMISSION) - BELVEDERE AND CORONET

PARTS INDICATED
BY NAME ONLY - ORDER
BY DESCRIPTION



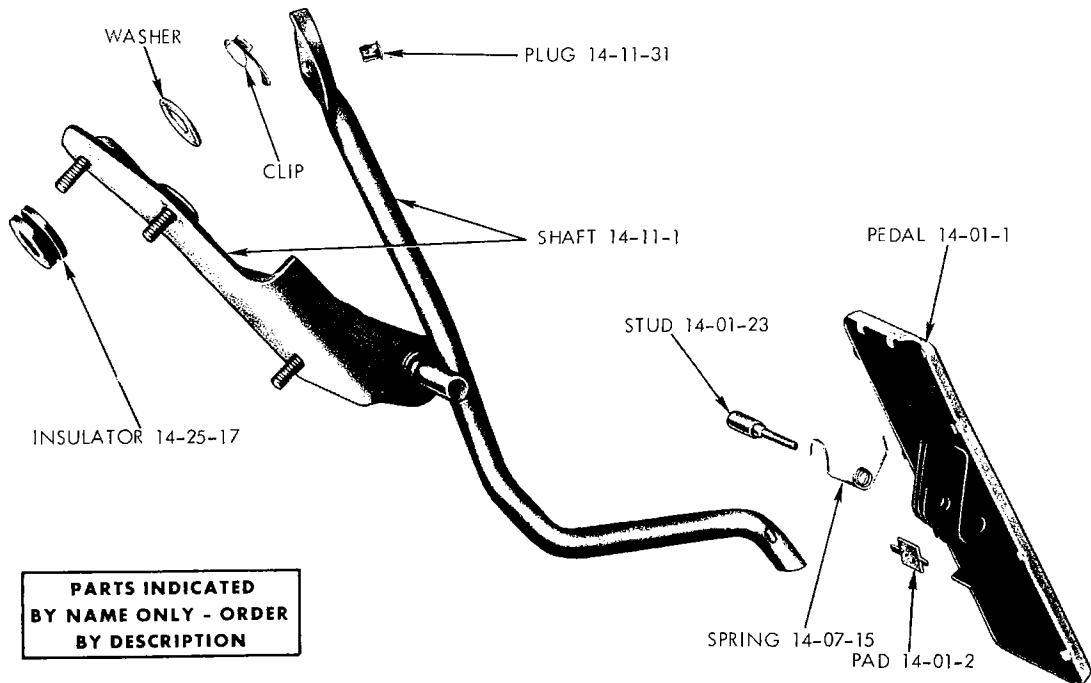
19a2229 A

AUTOMATIC SPEED CONTROL



19a2688

CARBURETOR FRESH AIR PACKAGE - BELVEDERE AND CORONET



19a2798

ACCELERATOR PEDAL AND SHAFT - PLYMOUTH, DODGE, CHRYSLER AND IMPERIAL

CODE	PART NAME	ENG. TYPE OR CU.IN.	V	B	L	R	W	P	D	C	C	C	Y	PART NUMBER
			1-2	1-2	1-2	1-2	1-2	1-2	1-2	1	2	3	1	
14-01-0 ACCELERATOR PEDAL														
14-01-1	PEDAL, w/BEZEL, Stainless Steel		1	1	1	—	—	—	—	—	—	—	—	2946 676
	w/o Bezel		1	1	1	—	—	—	—	—	—	—	—	2946 677
	w/o Bezel		—	—	—	1	1	—	—	—	—	—	—	2658 704
	w/BEZEL		—	—	—	—	1	1	1	1	1	1	1	2899 387
	w/BEZEL		—	—	—	—	1	—	—	—	—	—	—	2658 703
14-01-2	PAD, Pedal		1	1	1	—	—	1	1	1	1	1	1	2899 342
14-01-8	CLIP, Pedal		1	1	1	—	—	—	—	—	—	—	—	2863 055
14-01-23	SCREW, Pedal		—	—	—	2	2	—	—	—	—	—	—	2202 583
	NUT		—	—	—	2	2	—	—	—	—	—	—	120 367
	Stud or Pin		1	1	1	—	—	1	1	1	1	1	1	2899 352
14-01-30	BUSHING, Pedal Pin		—	—	—	2	2	—	—	—	—	—	—	2406 334
14-01-38	SWIVEL, Pedal Lever		—	—	—	1	1	—	—	—	—	—	—	2536 846
14-02-0 AUTOMATIC SPEED CONTROL														
14-02-1	CONTROL PACKAGE, Automatic Speed	8	—	—	—	1	1	1	1	1	1	1	1	3420 564
	ADAPTER PACKAGE, Automatic Speed Control	8	—	—	—	1	1	—	—	—	—	—	—	3420 565
	ADAPTER PACKAGE, Automatic Speed Control	8	—	—	—	—	—	1	1	1	1	1	1	3420 566
14-02-15	CONTROL, Speed		—	—	—	1	1	1	1	1	1	1	1	2951 272
14-02-18	BRACKET, Speed Control Mounting		—	—	—	1	1	—	—	—	—	—	—	2863 585
			—	—	—	—	—	1	1	1	1	1	—	2946 701
			—	—	—	—	—	—	—	—	—	—	1	2863 587
	BRACKET, Cable Routing Dash Mounted		—	—	—	1	1	—	—	—	—	—	—	2899 295
	BRACKET, Speed Control Cable Mounting, w/318 Eng.		—	—	—	1	1	1	1	—	—	—	—	2899 376
	w/383 Eng., w/4 bbl. Carb.		—	—	—	1	1	1	1	1	1	1	—	2899 378
	w/383 Eng., w/2 bbl. Carb.		—	—	—	1	1	1	1	1	1	1	—	2899 374
	w/440 Eng.		—	—	—	1	1	1	1	1	1	1	1	2899 374
	CABLE and MOUNTING BRACKET PACKAGE, Automatic Speed Control, R-H, w/318 Eng.		—	—	—	1	—	—	—	—	—	—	—	3420 568
	W-Charger, w/383, 440 Eng.		—	—	—	—	1	—	—	—	—	—	—	3420 570
	P-D, w/318 Eng.		—	—	—	—	1	1	—	—	—	—	—	3420 569
	w/383, 440, Eng.		—	—	—	—	1	1	1	1	1	1	1	3420 570
14-02-24	GROMMET, Control Brake Switch Hose		—	—	—	—	—	1	1	1	1	1	1	2926 549
14-02-32	SWITCH, Speed Control Brake		—	—	—	1	1	—	—	—	—	—	—	2926 130
	SCREW		—	—	—	—	—	1	1	1	1	1	1	2926 676
	SCREW		—	—	—	2	2	2	2	2	2	2	2	6024 064
	SCREW		—	—	—	2	2	2	2	2	2	2	2	170 998
14-02-33	BRACKET, Speed Control Brake Switch, w/Manual Brakes		—	—	—	1	1	—	—	—	—	—	—	2889 058
	w/Power Brake		—	—	—	1	1	—	—	—	—	—	—	2889 059
	w/Manual or Power Brakes		—	—	—	—	—	1	1	1	1	1	1	2926 442
	BRACKET, Speed Control Brake Switch Adjusting		—	—	—	—	—	1	1	1	1	1	1	2926 677
	SUPPORT, Speed Control Brake Switch Striker		—	—	—	1	1	—	—	—	—	—	—	2926 131
14-02-34	CABLE, Speed Control, w/318 Eng.		—	—	—	1	1	—	—	—	—	—	—	2899 541
	w/318, 383 or 440 Eng.		—	—	—	1	1	1	1	1	1	1	1	2899 184
14-02-69	WIRING, Speed Control Instrument Panel		—	—	—	1	1	—	—	—	—	—	—	2889 580
			—	—	—	—	—	1	—	—	—	—	—	2926 060
			—	—	—	—	—	—	1	—	—	—	—	2983 132
			—	—	—	—	—	—	—	1	1	1	—	2926 877
14-02-85	LINK, Speed Control Lost Motion, w/318 Eng.		—	—	—	—	—	1	1	—	—	—	—	2899 362
	R, W, All, P, D, w/383 or 440 Eng.		—	—	—	1	1	1	1	1	1	1	1	2863 595
14-02-86	PIN, Speed Control Lost Motion Link Clevis		—	—	—	1	1	1	1	1	1	1	1	2863 598

TYPE LETTERS Indicates B - Barracuda V - Valiant R - Belvedere P - Plymouth C - Chrysler
 = Indicates parts not listed in any previous parts book. L - Dart W - Coronet D - Dodge Y - Imperial

AR Indicates use as required. Numerals in parentheses () refer to notes. Printed in U.S.A.
 = Indicates parts not listed in any previous parts book. ★ Indicates change or addition. January 1971

CODE	PART NAME	ENG. TYPE OR CU.IN.	V	B	L	R	W	P	D	C	C	C	Y	PART NUMBER
			1-2	1-2	1-2	1-2	1-2	1-2	1-2	1	2	3	1	
14-02-0 AUTOMATIC SPEED CONTROL Cont'd.														
14-02-87	BRACKET, Speed Control Cable Routing Bracket Mounted		—	—	—	1	1	1	1	1	1	1	1	2899 540
14-02-88	HOSE, Speed Control Servo to Eng. Manifold Vacuum Tee, w/318 Eng. Speed Control Brake Switch to Servo Servo to Power Brake Fitting		—	—	—	1	1	—	—	—	—	—	—	2899 539 2947 436 2899 539
14-02-89	BOOT, Speed Control Hose		—	—	—	1	1	—	—	—	—	—	—	2266 783
14-02-91	STRIKER, Speed Control Brake Switch		—	—	—	1	1	—	—	—	—	—	—	2857 881
14-02-93	CLIP, Servo to Vacuum Source Hose Retainer		—	—	—	1	1	—	—	—	—	—	—	2765 032

14-06-0 ACCELERATOR PEDAL OR TRANSMISSION ROD RETURN SPRING

14-06-1 SPRING

PEDAL RETURN

34 Coils, Painted Violet		1	1	1	1	1	1	1	—	—	—	—	—	2951 448
33 Coils, Painted Black		—	1	1	—	—	—	—	—	—	—	—	—	2946 695
34 Coils, Painted Green		1	1	1	1	1	1	—	—	—	—	—	—	2951 471
45 Coils, Painted Gray		—	1	1	1	1	1	1	1	1	1	1	1	2951 473
34 Coils, Painted Blue, Taxi		—	—	—	1	1	1	—	—	—	—	—	—	2951 472
33 Coils, Painted Green		—	1	1	—	—	1	1	1	1	1	1	1	2951 474
33 Coils, Painted Red		1	1	1	1	1	1	1	—	—	—	—	—	2946 696
33 Coils, Painted Blue		—	1	1	1	1	1	1	1	1	1	1	1	2946 697
38 Coils, Painted Yellow		1	1	1	1	1	1	1	—	—	—	—	—	2946 694
22 Coils, Painted Green, w/Blue Stripe, Front	426	—	—	—	1	1	—	—	—	—	—	—	—	2863 722
18 Coils, Painted Red, w/White Stripe, Rear	426	—	—	—	1	1	—	—	—	—	—	—	—	2946 617
31 Coils, Painted White, Canada only	6	—	—	—	—	—	—	—	1	—	—	—	—	2946 636

TRANSMISSION ROD RETURN

36 Coils, Painted Green		1	1	1	1	1	1	1	—	—	—	—	—	2946 637
75 Coils, Painted Red, w/Black Stripe		1	1	1	1	1	—	—	—	—	—	—	—	2806 463
38 Coils, Painted White, w/Blue Stripe		—	—	—	—	—	1	1	1	1	1	1	1	2899 371
75 Coils, Painted Orange, w/Red Stripe		—	1	1	—	—	—	—	—	—	—	—	—	2843 783
36 Coils, Painted Green, Canada only	6	—	—	—	—	—	—	—	1	—	—	—	—	2946 637
75 Coils, Painted Yellow, w/Red Stripe		—	—	—	1	1	—	—	—	—	—	—	—	2806 464
19 Coils, Painted Black	426	—	—	—	1	1	—	—	—	—	—	—	—	2536 453
14-06-10 BRACKET	6	1	1	1	1	1	1	—	—	—	—	—	—	2946 638
Canada only	6	—	—	—	—	—	—	1	—	—	—	—	—	2946 638
w/273 or 318 Eng.		1	1	1	1	1	1	—	—	—	—	—	—	2806 465
w/340 Eng.		—	1	1	—	—	—	—	—	—	—	—	—	2863 711
w/383 Eng., w/2 bbl. Carb.		—	—	—	1	1	1	1	1	1	1	—	—	2806 445
w/383 or 440 Eng., w/4 bbl. Carb.		—	1	1	1	1	1	1	1	1	1	1	1	2806 451
Pedal Return Spring	426	—	—	—	1	1	—	—	—	—	—	—	—	2780 586
Trans. Rod Return Spring	426	—	—	—	1	1	—	—	—	—	—	—	—	2780 587
Pedal Return Spring, w/A/Cond.	440	—	—	—	1	1	1	1	1	1	1	1	1	2899 962
14-06-10 ANCHOR, Pedal Return Spring, w/A/Cond.	383	—	—	—	1	1	1	1	1	1	1	—	—	2899 953

TYPE LETTERS Indicates

B - Barracuda

V - Valiant
L - DartR - Belvedere
W - CoronetP - Plymouth
D - DodgeC - Chrysler
Y - Imperial

AR Indicates use as required.

≡ Indicates parts not listed in any previous parts book.

Numerals in parentheses () refer to notes.

★ Indicates change or addition.

Printed in U.S.A.

January 1971

CODE	PART NAME	ENG. TYPE OR CU.IN.	V	B	L	R	W	P	D	C	C	C	Y	PART NUMBER
			1-2	1-2	1-2	1-2	1-2	1-2	1-2	1	2	3	1	
14-07-0 ACCELERATOR PEDAL TO ACCELERATOR SHAFT ROD SPRING														
14-07-15	SPRING		1	1	1	—	—	1	1	1	1	1	1	2899 354
14-11-0 ACCELERATOR SHAFT														
14-11-1	SHAFT, w/BRACKET		1	1	1	—	—	—	—	—	—	—	—	2946 684
			—	—	—	1	1	—	—	—	—	—	—	2780 843
			—	—	—	—	—	1	1	1	1	1	1	2946 688
14-11-3	CLIP, Bellcrank to Carb. Rod	6	1	1	1	1	1	1	—	—	—	—	—	2946 640
	Bellcrank to Carb. Rod,													
	Canada only	6	—	—	—	—	—	—	1	—	—	—	—	2946 640
	Carb. Lever to Trans. Rod	225	1	1	1	1	1	—	—	—	—	—	—	2899 360
	Carb. to Cable Mtg. Brkt. Lever Rod	426	—	—	—	1	1	—	—	—	—	—	—	2899 360
	Cable Mtg. Brkt. Lever to Trans.													
	B/Crank, except 426 or 440 Eng.	8	1	1	1	1	1	—	—	—	—	—	—	2899 361
	Trans. B/Crank to Trans. Rod	8	—	1	1	1	1	—	—	—	—	—	—	2899 360
14-11-9	ROD, Eng. B/Crank to Carb.	6	1	1	1	1	1	1	—	—	—	—	—	2946 639
	Eng., B/Crank to Carb.,													
	Canada only	6	—	—	—	—	—	—	1	—	—	—	—	2946 639

ENGINE BELL CRANK TO TRANSMISSION ROD

w/170 Eng.	6	1	1	1	—	—	—	—	—	—	—	—	—	2946 661
w/225 Eng.	6	1	1	1	—	—	—	—	—	—	—	—	—	2946 663
w/225 Eng., w/A904 Trans.	6	—	—	—	1	1	—	—	—	—	—	—	—	2946 665
w/225 Eng., Std.,	6	—	—	—	—	—	—	—	1	—	—	—	—	2946 669
Canada only	6	—	—	—	—	—	—	—	—	—	—	—	—	2946 667
w/225 Eng., w/A727 Trans.	6	—	—	—	1	1	—	—	—	—	—	—	—	2946 667
w/225 Eng., H/D.,	6	—	—	—	—	—	—	—	1	—	—	—	—	2946 647
Canada only	6	—	—	—	—	—	—	—	—	—	—	—	—	2946 669
w/225 Eng., w/A904 Trans.	6	—	—	—	—	—	—	1	—	—	—	—	—	2946 669
w/225 Eng., w/A727 Trans.	6	—	—	—	—	—	—	1	—	—	—	—	—	2946 647

TRANSMISSION BELL CRANK TO TRANSMISSION ROD

w/273 Eng., w/A904 Trans.		1	—	1	—	—	—	—	—	—	—	—	—	2806 467
w/318 Eng., w/A904 Trans.		1	1	1	1	1	—	—	—	—	—	—	—	2806 467
w/318 Eng., w/A727 Trans.		—	—	—	1	1	—	—	—	—	—	—	—	2946 624
w/340 Eng., w/A727 Trans.		—	1	1	—	—	—	—	—	—	—	—	—	2863 719
w/383 Eng., w/A727 Trans., w/2 or 4 bbl. Carb.		—	1	1	1	1	—	—	—	—	—	—	—	2899 330
w/440 Eng., w/A727 Trans.		—	—	—	1	1	—	—	—	—	—	—	—	2899 330
w/426 Eng.		—	—	—	1	1	—	—	—	—	—	—	—	2899 330

CARBURETOR LEVER TO TRANSMISSION ROD

w/318 Eng., w/A904 Trans.		—	—	—	—	—	1	1	—	—	—	—	—	2899 400
w/318 Eng., w/A727 Trans.		—	—	—	—	—	1	1	—	—	—	—	—	2946 674
w/383 Eng., w/2 bbl. Carb., w/A727 Trans.		—	—	—	—	—	1	1	1	1	1	—	—	2946 674
w/383 Eng., w/4 bbl. Carb., w/A727 Trans.		—	—	—	—	—	1	1	1	1	1	—	—	2951 452
w/440 Eng., w/4 bbl. Carb., w/A727 Trans.		—	—	—	—	—	1	1	1	1	1	1	—	2951 454

TYPE LETTERS Indicates B - Barracuda V - Valiant R - Belvedere P - Plymouth C - Chrysler
 L - Dart W - Coronet D - Dodge Y - Imperial

AR Indicates use as required. Numerals in parentheses () refer to notes. Printed in U.S.A.
 = Indicates parts not listed in any previous parts book. ★ Indicates change or addition. January 1971

CODE	PART NAME	ENG. TYPE OR CU.IN.	V	B	L	R	W	P	D	C	C	C	Y	PART NUMBER
			1-2	1-2	1-2	1-2	1-2	1-2	1-2	1	2	3	1	
14-11-0 ACCELERATOR SHAFT Cont'd.														
14-11-9 ROD, Cont'd.														
CARBURETOR TO CABLE MOUNTING BRACKET LEVER ROD														
	w/273 Eng., w/A904 Trans.	1	—	1	—	—	—	—	—	—	—	—	—	2806 459
	w/318 Eng., w/A727, A904 Trans.	1	1	1	1	1	—	—	—	—	—	—	—	2806 459
	w/340 Eng., w/A727 Trans.	—	1	1	—	—	—	—	—	—	—	—	—	2843 785
	w/383 Eng., w/A727 Trans.	—	1	1	—	—	—	—	—	—	—	—	—	2863 728
	w/383 Eng., w/2 bbl. Carb., w/A727 Trans.	—	—	—	1	1	—	—	—	—	—	—	—	2899 356
	w/383, 440 Eng., w/4 bbl. Carb., w/A727 Trans.	—	—	—	1	1	—	—	—	—	—	—	—	2899 358
	w/426 Eng., w/A727 Trans.	—	—	—	1	1	—	—	—	—	—	—	—	2780 599
CABLE MOUNTING BRACKET LEVER TO TRANSMISSION BELL CRANK ROD														
	w/273, 318 Eng., w/A904 Trans.	1	—	1	—	—	—	—	—	—	—	—	—	2780 838
	w/318 Eng., w/A904 Trans.	—	—	—	1	1	—	—	—	—	—	—	—	2843 740
	w/318 Eng., w/A727 Trans.	—	—	—	1	1	—	—	—	—	—	—	—	2863 744
	w/340 Eng., w/A727 Trans.	—	1	1	—	—	—	—	—	—	—	—	—	2863 717
	w/383 Eng., w/4 bbl. Carb., w/A727 Trans.	—	1	1	—	—	—	—	—	—	—	—	—	2863 730
	w/383 Eng., w/2 or 4 bbl. Carb., w/A727 Trans.	—	—	—	1	1	—	—	—	—	—	—	—	2843 797
	w/440 Eng., A726 Trans.	—	—	—	1	1	—	—	—	—	—	—	—	2843 793
	w/426 Eng., w/A727 Trans.	—	—	—	1	1	—	—	—	—	—	—	—	2899 332
14-11-18	LINK, Eng. B/Crank to Carb. Rod Adjusting	6	1	1	1	1	1	1	1	—	—	—	—	2946 648
	Cable Mtg. Brkt. to Carb. Rod	8	1	1	1	1	1	—	—	—	—	—	—	2806 442
	Carb. Lever to Trans. Rod	8	—	—	—	—	—	1	1	1	1	1	1	2806 442
	Carb. to Cable Mtg. Brkt. Lever, w/426 Eng.	8	—	—	—	1	1	—	—	—	—	—	—	2468 744
	Carb. to Cable Mtg. Brkt. Lever, except 426 Eng.	8	1	1	1	1	1	1	1	1	1	1	1	2843 776
14-11-29	BUSHING, Shaft Brkt.	—	—	—	—	—	2	2	2	2	2	2	2	2899 351
14-11-31	PLUG, Shaft Lever	1	1	1	1	1	1	1	1	1	1	1	1	2465 483
14-11-39	ROLLER, Shaft CLIP	—	—	—	1	1	1	1	1	1	1	1	1	2780 808
	WASHER	—	—	—	1	1	1	1	1	1	1	1	1	6023 285
	WASHER	—	—	—	1	1	1	1	1	1	1	1	1	120 392
14-11-40	STUD, Carb. Lever, w/426 Eng.	8	—	—	—	1	1	—	—	—	—	—	—	2468 743
	CLIP	8	—	—	—	1	1	—	—	—	—	—	—	6023 285
	NUT	8	—	—	—	1	1	—	—	—	—	—	—	120 376
	WASHER	8	—	—	—	1	1	—	—	—	—	—	—	6025 050
	STUD, w/Man. Trans., except 426 Eng.	8	1	1	1	1	1	1	1	1	1	1	—	# 3418 899
	CLIP	8	1	1	1	1	1	1	1	1	1	1	—	6023 285
	NUT	8	1	1	1	1	1	1	1	1	1	1	—	120 376
	WASHER	8	1	1	1	1	1	1	1	1	1	1	—	6025 050
	w/Auto. Trans., except 426 Eng.	8	1	1	1	1	1	1	1	1	1	1	1	# 3418 900
	CLIP	8	1	1	1	1	1	1	1	1	1	1	1	6023 285
	CLIP	8	1	1	1	1	1	1	1	1	1	1	1	6026 776
	NUT	8	1	1	1	1	1	1	1	1	1	1	1	120 376
	WASHER	8	1	1	1	1	1	1	1	1	1	1	1	6025 050
14-11-48	SEAL, Shaft Bracket	—	—	—	—	1	1	—	—	—	—	—	—	2806 408
		—	—	—	—	1	1	—	—	—	—	—	—	2780 849
		—	—	—	—	—	—	1	1	1	1	1	1	2899 353

TYPE LETTERS Indicates

B - Barracuda

V - Valiant
L - DartR - Belvedere
W - CoronetP - Plymouth
D - DodgeC - Chrysler
Y - Imperial

AR Indicates use as required.

= Indicates parts not listed in any previous parts book.

Numerals in parentheses () refer to notes.

★ Indicates change or addition.

Printed in U.S.A.

January 1971

CODE	PART NAME	ENG. TYPE OR CU.IN.	V	B	L	R	W	P	D	C	C	C	Y	PART NUMBER
			1-2	1-2	1-2	1-2	1-2	1-2	1-2	1	2	3	1	
14-13-0 THROTTLE LINKAGE BALL STUD														
14-13-1	BALL STUD, Carb. Lever, Export	6	1	1	1	1	1	—	—	—	—	—	—	2268 420
14-13-3	CLIP, Trans. Rod	6	1	1	1	1	1	—	—	—	—	—	—	6026 697
		6	—	—	—	—	—	1	1	—	—	—	—	6025 867
14-13-5	CLIP, Throttle Linkage Rod	8	AR	AR	AR	AR	AR	AR	AR	AR	AR	AR	AR	2121 571
	RETAINER, Ball Stud, Threaded		1	1	1	1	1	—	—	—	—	—	—	1945 197

14-14-0 THROTTLE CONTROL BELL CRANK

14-14-1	BELL CRANK, on Trans., w/273 or 318 Eng., w/A904 Trans.	8	1	1	1	1	1	—	—	—	—	—	—	2806 466
	w/318 Eng., w/A727 Trans.	8	—	—	—	1	1	—	—	—	—	—	—	2806 466
	w/340 Eng., w/A727 Trans.	8	—	1	1	—	—	—	—	—	—	—	—	2863 718
	w/383 Eng., w/A727 Trans.	8	—	1	1	—	—	—	—	—	—	—	—	2536 266
	w/383 or 440 Eng., w/A727 Trans.	8	—	—	—	1	1	—	—	—	—	—	—	2843 794
	w/426 Eng., w/A727 Trans.	8	—	—	—	1	1	—	—	—	—	—	—	2536 266
14-14-12	BRACKET, w/B/Crank, Eng.	6	1	1	1	1	1	1	—	—	—	—	—	2946 641
	Canada only	6	—	—	—	—	—	—	1	—	—	—	—	2946 641
	NUT	6	2	2	2	2	2	2	2	—	—	—	—	6022 838
14-14-20	STUD, Trans., B/Crank	8	1	1	1	1	1	—	—	—	—	—	—	2658 286
	CLIP	8	1	1	1	1	1	—	—	—	—	—	—	6027 983
	WASHER	8	1	1	1	1	1	—	—	—	—	—	—	120 394
14-14-26	BLOCK, Eng. B/Crank to Trans. Rod	6	1	1	1	1	1	1	—	—	—	—	—	2899 316
	Adjusting Link Retainer	6	—	—	—	—	—	—	1	—	—	—	—	2899 316
	Canada only	6	—	—	—	—	—	—	—	1	—	—	—	2899 316

14-15-0 CARBURETOR INTERCONNECTING ROD

14-15-3	ROD, w/426 Eng.	8	—	—	—	1	1	—	—	—	—	—	—	1825 924
	NUT	8	—	—	—	1	1	—	—	—	—	—	—	120 367
14-15-6	SWIVEL, Front	8	—	—	—	1	1	—	—	—	—	—	—	2899 396
	Rear	8	—	—	—	1	1	—	—	—	—	—	—	2899 329
	NUT	8	—	—	—	1	1	—	—	—	—	—	—	120 375
14-15-10	ROD END, Front	8	—	—	—	1	1	—	—	—	—	—	—	1634 876
	Rear	8	—	—	—	1	1	—	—	—	—	—	—	2780 595

14-24-0 FAST IDLE CABLE

14-24-1	CABLE		—	—	—	1	1	—	—	—	—	—	—	2899 393
	NUT		—	—	—	1	1	1	1	—	—	—	—	2946 621
	WASHER		—	—	—	1	1	1	1	—	—	—	—	124 939
14-24-4	COLLAR, Cable		—	—	—	1	1	1	1	—	—	—	—	138 498
14-24-6	BRACKET, Cable Mounting		—	—	—	1	1	—	—	—	—	—	—	2536 847
	SCREW		—	—	—	—	—	1	1	—	—	—	—	2899 395
			—	—	—	—	—	2	2	—	—	—	—	2946 619
14-24-17	LEVER, Fast Idle Adjusting		—	—	—	—	—	1	1	—	—	—	—	9414 598
			—	—	—	—	—	—	—	1	1	—	—	2946 620

14-25-0 THROTTLE CONTROL CABLE

14-25-5	CLIP, Cable Mtg.		1	1	1	1	1	1	1	1	1	1	1	2402 210
	NUT		1	1	1	1	1	1	1	1	1	1	1	120 375
14-25-11	CABLE, w/170 or 225 Eng.	6	1	1	1	—	—	—	—	—	—	—	—	2899 335
	w/225 Eng.	6	—	—	—	1	1	—	—	—	—	—	—	2843 748
	w/225 Eng.	6	—	—	—	—	—	1	—	—	—	—	—	2946 700
	w/225 Eng.	6	—	—	—	—	—	—	1	—	—	—	—	2946 700
	w/273 or 318 Eng.	8	1	1	1	—	—	—	—	—	—	—	—	2899 336
	w/318 Eng.	8	—	—	—	1	1	—	—	—	—	—	—	2843 749
	w/318 Eng.	8	—	—	—	—	—	1	1	—	—	—	—	2951 455
	w/340 Eng.	8	—	1	1	—	—	—	—	—	—	—	—	2899 336

TYPE LETTERS Indicates B - Barracuda V - Valiant R - Belvedere P - Plymouth C - Chrysler L - Dart W - Coronet D - Dodge Y - Imperial

AR Indicates use as required.
= Indicates parts not listed in any previous parts book.

Numerals in parentheses () refer to notes.
★ Indicates change or addition.

Printed in U.S.A.
January 1971

CODE	PART NAME	ENG. TYPE OR CU.IN.	V	B	L	R	W	P	D	C	C	C	Y	PART NUMBER
			1-2	1-2	1-2	1-2	1-2	1-2	1-2	1	2	3	1	
14-25-0 THROTTLE CONTROL CABLE Cont'd.														
14-25-11	CABLE Cont'd.													
	w/383 Eng., w/4 bbl. Carb.	8	—	1	1	—	—	—	—	—	—	—	—	2899 337
	w/383 Eng., w/2 bbl. Carb.	8	—	—	—	1	1	—	—	—	—	—	—	2899 338
	w/383 or 440 Eng., w/4 bbl. Carb.	8	—	—	—	1	1	—	—	—	—	—	—	2899 339
	w/383 Eng., w/2 or 4 bbl. Carb.	8	—	—	—	—	—	1	1	1	1	1	—	2951 459
	w/440 Eng., w/4 bbl. Carb.	8	—	—	—	—	—	1	1	1	1	1	1	2951 459
	w/426 Eng.	8	—	—	—	1	1	—	—	—	—	—	—	2843 751
14-25-12	PIN, Cable	6	1	1	1	1	1	1	—	—	—	—	—	2264 706
		6	—	—	—	—	—	—	1	—	—	—	—	2264 706
	CLIP	6	1	1	1	1	1	1	—	—	—	—	—	6023 285
14-25-13	CLIP, Cable Retainer	6	1	1	1	1	1	—	—	—	—	—	—	6027 155
14-25-17	INSULATOR, Cable Sound		1	1	1	1	1	1	1	1	1	1	1	2465 486

14-26-0 THROTTLE CONTROL CABLE MOUNTING BRACKET

14-26-6	BRACKET, w/273 or 318 Eng.	8	1	1	1	1	1	—	—	—	—	—	—	2780 832
	w/340 Eng., w/4 bbl. Carb.	8	—	1	1	—	—	—	—	—	—	—	—	2863 713
	w/318 Eng.	8	—	—	—	—	—	1	1	—	—	—	—	2899 397
	w/383 Eng., w/4 bbl. Carb., w/Man. Trans.	8	—	1	1	1	1	—	—	—	—	—	—	2863 704
	w/383 Eng., w/4 bbl. Carb., w/A727 Trans.	8	—	1	1	1	1	—	—	—	—	—	—	2863 703
	w/383 Eng., w/2 bbl. Carb., w/Man. Trans.	8	—	—	—	1	1	—	—	—	—	—	—	2863 700
	w/383 Eng., w/2 bbl. Carb., w/A727 Trans.	8	—	—	—	1	1	—	—	—	—	—	—	2843 799
	w/383 Eng., w/2 bbl. Carb., w/Man. or A727 Trans.	8	—	—	—	—	—	1	1	1	1	1	—	2899 380
	w/383 Eng., w/4 bbl. Carb., w/Man. or A727 Trans.	8	—	—	—	—	—	1	1	1	1	1	—	2899 382
	w/440 Eng., w/4 bbl. Carb., w/Man. or A727 Trans.	8	—	—	—	1	1	—	—	—	—	—	—	2780 876
	w/440 Eng., w/4 bbl. Carb., w/Man. or A727 Trans.	8	—	—	—	—	—	1	1	1	1	1	1	2899 367
	w/426 Eng., w/Man. or A727 Trans.	8	—	—	—	1	1	—	—	—	—	—	—	2780 589
14-26-11	LEVER, Cable Mtg. Brkt. except													
	383 Eng.	8	1	1	1	—	—	—	—	—	—	—	—	2780 835
	w/383 Eng.	8	—	1	1	—	—	—	—	—	—	—	—	2863 725
	w/318, 383, 440 Eng.	8	—	—	—	1	1	—	—	—	—	—	—	2465 413
	w/426 Eng.	8	—	—	—	1	1	—	—	—	—	—	—	2899 334
	CLIP	8	1	1	1	1	1	—	—	—	—	—	—	6025 071
	NUT	8	1	1	1	1	1	—	—	—	—	—	—	120 375

14-29-0 CARBURETOR AIR CLEANER

14-29-2	AIR CLEANER, Oil Bath, w/on													
	Center Base, w/170, 225 Eng.	6	1	1	1	1	1	1	—	—	—	—	—	2843 075
	w/Off Center Base, Oil Bath	225	1	1	1	1	1	1	—	—	—	—	—	2946 180
	w/o A/Cond., Oil Bath,		—	—	—	—	—	—	—	—	—	—	—	
		6	—	—	—	—	—	—	1	—	—	—	—	2843 075
	w/A/Cond., Oil Bath,		—	—	—	—	—	—	—	—	—	—	—	
		6	—	—	—	—	—	—	1	—	—	—	—	2946 180
	w/273, 318 Eng., Dry Type		1	1	1	1	1	1	—	—	—	—	—	2946 179
	w/318 Eng., Oil Bath		—	—	—	1	1	1	1	—	—	—	—	2946 104
14-29-4	GASKET, A/Cleaner Cover, w/273, 318 Eng.	8	1	1	1	1	1	1	1	—	—	—	—	2402 129
	w/383, 440 Eng.	8	—	—	—	1	1	1	1	1	1	1	1	2536 016

TYPE LETTERS Indicates

B - Barracuda

V - Valiant

L - Dart

R - Belvedere

W - Coronet

P - Plymouth

D - Dodge

C - Chrysler

Y - Imperial

AR Indicates use as required.

= Indicates parts not listed in any previous parts book.

Numerals in parentheses () refer to notes.

★ Indicates change or addition.

Printed in U.S.A.

January 1971

CODE	PART NAME	ENG. TYPE OR CU.IN.	V	B	L	R	W	P	D	C	C	C	Y	PART NUMBER
			1-2	1-2	1-2	1-2	1-2	1-2	1-2	1	2	3	1	
14-29-0 CARBURETOR AIR CLEANER Cont'd.														
14-29-5	GASKET, A/Cleaner to Carb.	6	1	1	1	1	1	1	—	—	—	—	—	1947 797
	Canada only	6	—	—	—	—	—	—	1	—	—	—	—	1947 797
	w/273, 318 Eng., w/2 bbl. Carb.	8	1	1	1	1	1	1	1	—	—	—	—	2536 626
	w/383 Eng., w/2 bbl. Carb.	8	—	—	—	—	—	1	1	1	1	1	—	1821 170
	Except 383 Eng., w/2 bbl. Carb.	8	1	1	1	1	1	1	1	1	1	1	1	2843 071
14-29-6	FILTER	6	1	1	1	1	1	1	—	—	—	—	—	2206 376
	w/273, 318 Eng.	8	1	1	1	1	1	1	1	—	—	—	—	1739 547
	w/340, 383, 440 Eng., w/o Snorkel	8	—	1	1	1	1	1	1	—	—	—	—	2863 349
	w/383, 440 Eng., w/2 or 4 bb. Carb.	8	—	—	—	1	1	1	1	1	1	1	1	2402 677
	w/426 Eng., w/o Snorkel	8	—	—	—	1	1	—	—	—	—	—	—	2658 856
	w/383, 426, 440 Eng., w/Fresh Air Control, R-M, R-S, W-M, W-S	8	—	—	—	1	1	—	—	—	—	—	—	2946 186
14-29-7	COVER, Air Cleaner	6	1	1	1	1	1	1	—	—	—	—	—	2463 932
	w/225 Eng. Canada only	6	—	—	—	—	—	—	1	—	—	—	—	2463 932
	w/340, 383, 440 Eng., w/4 bbl. Carb., w/o Snorkel	8	—	1	1	1	1	1	1	—	—	—	—	2946 172
	w/383 Eng., w/2 bbl. Carb., w/Single Snorkel	8	—	—	—	1	1	1	1	1	1	1	—	2946 156
	w/440 Eng., w/Double Snorkel, Sta. Wgn.	8	—	—	—	—	—	1	—	—	—	—	—	2946 159
	w/383, 440 Eng., w/Double Snorkel	8	—	—	—	1	1	—	1	1	1	1	1	2946 159
	w/440 Eng., w/Single Snorkel	8	—	—	—	—	—	—	—	1	1	1	1	2946 164
	W/383, 440, 426 Eng., Painted Black	8	—	—	—	1	1	—	—	—	—	—	—	2946 188
	w/426 Eng., Chrome	8	—	—	—	1	1	—	—	—	—	—	—	2658 852
14-29-8	DECAL, Air Cleaner Instruction, w/383, 426, 440 Eng.	8	—	—	—	1	1	—	—	—	—	—	—	2951 355
14-29-9	RETAINER, Filter, w/340, 383 Eng., w/4 bbl. Carb., w/o Snorkel	8	—	1	1	—	—	—	—	—	—	—	—	2863 319
	w/383 Eng., w/2 bbl. Carb.	8	—	—	—	—	1	1	1	1	1	1	—	2863 302
	w/383, 440 Eng., w/4 bbl. Carb., w/o Snorkel	8	—	—	—	1	1	1	1	—	—	—	—	2863 319
	w/4 bbl. Carb., w/Fresh Air Control, R-M, W-M	383	—	—	—	1	1	—	—	—	—	—	—	2951 362
	w/4 bbl. Carb., w/Fresh Air Control, R-S, W-S	440	—	—	—	1	1	—	—	—	—	—	—	2951 361
	w/383, 440 Eng., w/4 bbl. Carb.	8	—	—	—	—	—	1	1	1	1	1	1	2863 310
	w/426 Eng.	8	—	—	—	1	1	—	—	—	—	—	—	2951 353
14-29-12	SUPPORT, Air Cleaner, w/Oil Bath Cleaner	225	1	1	1	1	1	1	—	—	—	—	—	2843 082
	w/A/Cond. Canada only	225	—	—	—	—	—	—	1	—	—	—	—	2843 082
14-29-15	CLAMP, w/Dry Cleaner	6	1	1	1	1	1	1	—	—	—	—	—	2264 116
	w/Dry Cleaner Canada only	6	—	—	—	—	—	—	1	—	—	—	—	2264 116
	w/Oil Bath Cleaner	6	1	1	1	1	1	1	—	—	—	—	—	2402 707
	w/Oil Bath Cleaner Canada only	6	—	—	—	—	—	—	1	—	—	—	—	2402 707
	w/225 Eng., Export	6	1	1	1	1	1	—	—	—	—	—	—	2658 387
	w/273 or 318 Eng., w/Dry or oil Bath Cleaner	8	1	1	1	1	1	1	1	—	—	—	—	2658 387
14-29-24	HOSE, A/Cleaner to Exhaust Manifold													
	Heat Tube	426	—	—	—	1	1	—	—	—	—	—	—	2467 937
	CLIP	426	—	—	—	1	1	—	—	—	—	—	—	2780 653
14-29-26	CLIP, A/Cleaner to Exhaust Manifold													
	Heat Tube	426	—	—	—	1	1	—	—	—	—	—	—	2780 653
	Canada only	225	—	—	—	—	—	—	1	—	—	—	—	2658 238
14-29-28	PLATE, Element Support	6	1	1	1	1	1	1	—	—	—	—	—	2946 176
	Canada only	6	—	—	—	—	—	—	1	—	—	—	—	2946 176
14-29-33	STUD, A/Cleaner to Carb.	8	1	1	1	1	1	1	1	1	1	1	1	1826 286

TYPE LETTERS Indicates

B - Barracuda

V - Valiant
L - Dart

R - Belvedere
W - Coronet

P - Plymouth
D - Dodge

C - Chrysler
Y - Imperial

AR Indicates use as required.
= Indicates parts not listed in any previous parts book.

Numerals in parentheses () refer to notes.
★ Indicates change or addition.

Printed in U.S.A.
January 1971

14-30-0 CARBURETOR

NOTE: The entire line of carburetors for 1969 Chrysler Corporation passenger vehicles is listed on the following chart by vendor number. Complete replacement assemblies for each vendor identified carburetor are listed in the "Chrysler Carburetor" Column. Components of carburetors, which are available for service are charted on the following pages, beginning with Code 14-30-2. For quick reference, both the carburetor assemblies and their component listings are identified with the same "Component Chart Reference Number". (see below and on the following pages).

14-30-1	CARBURETOR ASSEMBLIES		Carburetor Type			Comp. Chart	Service Carburetor No.
			bbl.	Mfg.	Mfg. No.	Ref. No.	
Models	Eng. (cu. in.)	Trans.					
V, L	170	Man.	1	Carter	4601 S	1	2946 552
V, L	170	Auto.	1	Carter	4602 S	2	2946 553
B, Export	170	Man.	1	Carter	4601 S	1	2946 552
B, Export	170	Auto.	1	Carter	4602 S	2	2946 553
V, B, L	225	Man.	1	Holley	R4161 A	3	2946 554
V, B, L	225	Auto.	1	Holley	R4162 A	4	2946 556
V, B, L, R, W, Export	225	Man.	2	Carter	4300 S	5	2843 101
V, B, L, R, W, Export	225	Auto.	2	Carter	4301 S	6	2843 102
R, W, P	225	Man.	1	Holley	R4163 A	7	2946 555
R, W, P	225	Auto.	1	Holley	R4164 A	8	2946 557
R, W, P, Taxi	225	All	1	Holley	R4165 A	9	2946 558
D1, Canada only	225	Man.	1	Holley	R4163 A	7	2946 555
D1, Canada Only	225	Auto.	1	Holley	R4164A	8	2946 557
V, L	273	Man.	2	Carter	4605 S	10	2946 567
V, L	273	Auto.	2	Carter	4606 S	11	2946 570
V, B, L, R, W, P, D	318	Man.	2	Carter	4607 S	12	2946 568
V, B, L, R, W, P, D	318	Auto.	2	Carter	4608 S	13	2946 571
P, D, Canada	318	Man.	2	Carter	4609S	32	2946 569
P, D, Canada	318	Auto.	2	Carter	4610S	33	2946 572
B, L	340	Man.	4	Carter	4611 S	14	2946 576
B, L	340	Auto.	4	Carter	4612 S	15	2946 590
B, L	340	Auto.	4	Carter	4639 S	16	2946 590
B, L, R, W	383	Auto.	4	Carter	4682 S	29	2946 595
R, W, P, D, C1	383	Man.	2	Carter	4613 S	17	2946 574
R, W, P, D, C1	383	Auto.	2	Carter	4614 S	18	2946 575
R, W, P, D, C1	383	Auto.	2	Carter	4774S	34	2946 544
B, L, R, W, P, D	383	Man.	4	Carter	4615 S	19	2946 577
B, L, R, W, P, D, C	383	Auto.	4	Carter	4616 S	20	2946 591
R, W, P, D, C	383	Auto.	4	Carter	4638 S	21	2946 591
R, W, P, D, C	383	Auto.	4	Holley	R4440A	31	2946 538
R, W	383	Man.	4	Carter	4711 S	30	2946 598
P, D, C, w/Std. Cam	440	Auto.	4	Holley	R4166 A	22	2946 582
R, W, P, D, High Performance	440	Man.	4	Carter	4617 S	23	2946 578
R, W, P, D, C, High Performance	440	Auto.	4	Carter	4618 S	24	2946 592
R, W, P, D, C, High Performance	440	Auto.	4	Carter	4640 S	25	2946 592
R, W, Front	440	All	2	Holley	R4393A	35	3412 050
R, W, Center	440	Man	2	Holley	R4391A	36	3412 052
R, W, Center	440	Auto	2	Holley	R4392A	37	3412 053
R, W, Rear	440	All	2	Holley	R4394A	38	3412 051
R, W, Front	426	All	4	Carter	4619 S	26	2946 584
R, W, Rear	426	Man.	4	Carter	4620 S	27	2946 588
R, W, Rear	426	Auto.	4	Carter	4621 S	28	2946 589
Y	440	Auto.	4	Holley	R4166 A	22	2946 582

PART TYPE CODE	COMPONENT CHART REFERENCE NO. MFG. NO.	1 2 3 4 5 6 7						
		4601S	4602S	R4161A	R4162A	4300S	R4301S	R4163A
14-30-2	GASKET, Flange	2205 582	2205 582	2205 582	2205 582	2468 818	2468 818	2205 582
14-30-4	ZIP KIT	2933 180	2933 180	—	—	2933 043	2933 043	—
	MINOR REPAIR PACKAGE	—	—	3481 688	2933 125	—	—	2933 125
14-30-7	GASKET PACKAGE	2933 179	2933 179	2585 463	2585 463	2808 023	2808 023	2585 463
14-30-8	NEEDLE, w/Seat, Float	2809 395	2809 395	2299 042	2299 042	2933 042	2933 042	2299 042
14-30-29	GASKET, Needle Seat	3481 199	3481 199	3419 663	3419 663	—	—	3419 663
14-30-31	BAFFLE, Fuel Inlet	—	—	3419 688	3419 688	—	—	3419 688
14-34-2	GASKET, Body Flange	3481 221	3481 236	—	—	—	—	—

TYPE LETTERS Indicates V - Valiant R - Belvedere P - Plymouth C - Chrysler
 B - Barracuda L - Dart W - Coronet D - Dodge Y - Imperial

AR Indicates use as required.

≠ Indicates parts not listed in any previous parts book.

Numerals in parentheses () refer to notes.

★ Indicates change or addition.

Printed in U.S.A.
January 1971

14-30-0 CARBURETOR Cont'd.

PART TYPE	COMPONENT CHART REFERENCE NO.	1	2	3	4	5	6	7
CODE	MFG. NO.	4601S	4602S	R4161A	R4162A	4300S	4301S	R4163A
14-34-4	GASKET, Body	3481 222	3481 222	---	---	1631 520	1631 520	---
14-34-10	GASKET, Economiser Body	---	---	3419 662	3419 662	---	---	3419 662
14-34-13	GASKET, Step-Up Piston	3481 198	3481 198	---	---	---	---	---
14-34-55	GASKET, Choke Housing	---	---	---	---	---	1330 873	---
14-35-1	JET, Main Metering	2585 408	2933 174	2299 245	2299248	2585 787	2585 787	2299 245
14-35-3	JET, Pump	3481 203	3481 233	---	---	---	---	---
14-35-33	STEM, Economiser	---	---	3419 623	2299 040	---	---	2299 040
14-35-39	WELL, Main	---	---	3419 510	3419 510	---	---	3419 507
14-35-42	COVER, Venturi	---	---	---	---	3481 540	3481 540	---
14-35-43	SCREW, Economiser Body	---	---	3419 657	3419 657	---	---	3419 657
	SCREW, Main Well, Long	---	---	3419 652	3419 652	---	---	3419 652
	Short	---	---	3419 651	3419 651	---	---	3419 651
14-35-45	COVER, Economiser Body	---	---	3419 670	3419 670	---	---	3419 670
14-36-1	SPRING, Idle Adjustment Needle	---	---	3419 674	3419 674	---	---	3419 674
	SPRING, Fast Idle Needle	---	---	3419 677	3419 677	---	---	3419 677
	SPRING, Idle Speed Screw	3481 205	3481 205	---	---	3481 205	3481 205	---
	SPRING, Idle Mixture Screw	---	---	---	---	3481 535	3481 535	---
14-36-2	SPRING, Step-Up Piston	3481 206	3481 234	---	---	3481 234	3481 234	---
14-36-15	SPRING, Pump	3481 207	3481 235	3419 679	3419 679	3481 207	3481 207	3419 679
14-36-19	SPRING, Choke Lever	3481 208	3481 208	---	---	---	---	---
14-36-29	SPRING, Throttle Stop Screw	---	---	3419 675	3419 675	---	---	3419 675
14-36-50	SPRING, Mechanical Vent	---	---	3419 678	---	---	---	3419 678
14-37-4	RIVET PLUG	3481 155	3481 155	---	---	---	---	---
	RIVET PLUG	3420 404	3420 404	---	---	---	---	---
	RIVET PLUG	3481 195	3481 195	---	---	---	---	---
14-37-6	PLUG, Pump Jet	3481 193	3481 193	---	---	---	---	---
14-37-25	PLUG, High Speed Passage	3481 194	3481 194	---	---	---	---	---
14-37-27	LEAD SHOT	---	---	---	---	3481 284	3481284	---
	LEAD SHOT	---	---	---	---	3481 538	3481 538	---
	LEAD SHOT	---	---	---	---	3420 453	3420 453	---
14-37-29	BALL, Pump Intake Check	3481 220	3481 220	---	---	3481 289	3481 289	---
14-37-30	BALL, Pump Discharge Check	3481 220	3481 220	---	---	3481 220	3481 220	---
14-38-4	VALVE or PLATE, Throttle	3481 190	3481 232	3419 665	3419 665	3481 529	3481 529	3419 665
14-38-5	SCREW, Throttle Valve or Plate	3420 450	3420 450	3419 654	3419 654	3420 445	3420 445	3419 654
14-38-12	SHAFT, w/Lever, Throttle	3481 191	3482 191	3419 666	3419 666	3481 530	3481 530	3420 652
14-38-20	PIN SPRING, Throttle Connector Rod	3420 476	3420 476	---	---	---	---	---
14-38-28	ROD, Throttle Connector	3481 231	3481 231	---	---	3481 299	3481 299	---
14-39-1	VALVE or PLATE, Choke	3481 192	3481 192	3419 649	3419 649	3481 271	3481 271	3419 649
14-39-3	LINK, w/Shaft, Choke Piston Lever	---	---	---	---	3481 533	3481 545	---
14-39-6	SHAFT, Choke	3481 197	3481 197	3419 650	3419 650	---	---	3419 650
14-39-7	DIAPHRAGM, Choke	2933 182	2933 182	3419 508	3419 621	---	---	3419 508
14-39-8	LINK, Choke Diaphragm	---	---	3419 671	3419 671	---	---	3419 671
14-39-10	LEVER, Choke	3481 196	3481 196	---	---	3481 532	---	---
	LEVER, w/Collar, Choke	---	---	---	---	3481 531	3481 531	---
14-39-28	ROD, Choke Connector	3481 218	3481 218	---	---	3481 539	3481 539	---
	ROD, Choke Diaphragm Connector	3481 219	3481 219	---	---	---	---	---
14-39-45	CHOKE	2946 522	2946 522	2658 398	2658 398	2809 286	2809 286	2658 398
	SCREW, w/WASHER	6024 560	6024 560	6024 560	6024 560	6024 560	6024 560	6024 560
14-39-47	RETAINER, Coil Housing	---	---	---	---	---	3481 171	---
14-39-50	PLATE, Choke Baffle	---	---	---	---	3481 544	3481 544	---
14-39-51	HOSE, Choke Diaphragm	3481 226	3481 226	3419 687	3419 687	---	---	3419 687
14-39-56	PIN SPRING	---	---	---	---	3420 476	---	---
14-39-57	PIN SPRING, Choke Diaphragm Connector Rod	3420 477	3420 477	---	---	---	---	---
14-39-84	CAP, Heat Tube	---	---	---	---	3481 187	3481 187	---

TYPE LETTERS Indicates V - Valiant R - Belvedere P - Plymouth C - Chrysler
 B - Barracuda L - Dart W - Coronet D - Dodge Y - Imperial

AR Indicates use as required.

= Indicates parts not listed in any previous parts book.

Numerals in parentheses () refer to notes.

★ Indicates change or addition.

Printed in U.S.A.
 January 1971

14-30-0 CARBURETOR Cont'd.

PART TYPE	COMPONENT CHART REFERENCE NO.	1	2	3	4	5	6	7
CODE	MFG. NO.	4601S	4602S	R4161A	R4162A	4300S	4301S	R4163A
14-40-1	FLOAT, w/Lever	3481 200	3481 200	3419 668	3419 688	3481 534	3481 534	3419 668
14-40-4	PIN, Float Lever	3481 201	3481 201	-----	-----	3481 201	3481 201	-----
14-40-5	RETAINER, Float Lever Pin	3481 209	3481 209	-----	-----	3481 209	3481 209	-----
	RETAINER, Float	-----	-----	3419 673	3419 673	-----	-----	3419 673
14-40-7	BOWL, Float	-----	-----	3419 672	3419 672	-----	-----	3419 672
14-40-8	GASKET, Float Bowl	-----	-----	3419 664	3419 664	-----	-----	3419 664
14-40-18	SPRING, Float	-----	-----	3419 676	3419 676	-----	-----	3419 676
14-41-3	PLUNGER, w/Rod, Pump	2196 214	2196 214	2525 782	2525 782	2299 217	2299 217	2525 782
14-41-7	LINK, Pump Operating	-----	-----	2808 062	2808 062	-----	-----	2808 062
14-41-9	ARM, Pump	3481 204	3481 204	-----	-----	3481 275	3481 275	-----
14-41-11	SPRING, Pump Plunger Pin	3481 227	3481 227	-----	-----	-----	-----	-----
14-41-12	BUSHING, Pump Plunger	3481 202	3481 202	-----	-----	-----	-----	-----
14-41-22	LEVER, Pump Operating	-----	-----	2808 061	2808 061	-----	-----	2808 061
14-41-23	RETAINER, Pump Operating Lever	-----	-----	2808 059	2808 059	-----	-----	2808 059
14-43-3	PISTON, w/Plate, Step-Up	3481 228	3481 228	-----	-----	3481 295	3481 295	-----
14-43-5	ROD, Step-Up	2933 181	2933 181	-----	-----	2809 273	2585 702	-----
14-44-1	TUBE, Idle	3481 223	3481 237	-----	-----	-----	-----	-----
14-44-3	TUBE, Main Vent	3481 225	3481 238	-----	-----	-----	-----	-----
14-45-1	SCREW, Fast Idle Cam	3481 216	3481 216	3419 658	3419 658	3481 537	3481 537	3419 658
	SCREW, Fast Idle	-----	-----	3419 656	3419 656	-----	-----	3419 656
	NEEDLE, Idle Adjustment	-----	-----	3419 667	3419 667	-----	-----	3419 667
14-45-4	CAM, Fast Idle	3481 229	3481 229	3419 681	3419 655	3481 541	3481 541	3419 691
14-45-5	KOD, Fast Idle	-----	-----	3419 682	3419 682	-----	-----	3419 682
14-45-12	LIMITER, Idle Screw	3420 436	3420 436	-----	-----	-----	-----	-----
	LIMITER, Idle Adjusting Needle	-----	-----	3419 689	3419 689	-----	-----	3419 689
14-45-25	SCREW, Idle Speed	3481 210	3481 208	-----	-----	3481 210	3481 210	-----
	SCREW, Fast Idle Speed	3481 215	3481 215	-----	-----	3481 536	3481 536	-----
14-46-1	VALVE, Mechanical Vent	-----	-----	3419 669	3419 669	-----	-----	3419 669
14-46-2	ROD, Mechanical Vent	-----	-----	3419 683	3419 683	-----	-----	3419 683
14-50-6	SCREW, Dashpot Bracket	-----	-----	3419 660	-----	-----	-----	3419 684
14-50-8	NUT, Dashpot Lock	3420 455	3420 455	3419 680	-----	-----	-----	3419 680
14-50-13	BRACKET, Dashpot	2933 183	2933 183	3419 686	-----	-----	-----	3419 686
14-50-25	DASHPOT	2585 784	2585 784	2809 243	-----	-----	-----	2809 243
14-54-3	SCREW, Throttle Stop	-----	-----	3419 661	3419 661	-----	-----	3419 661
14-54-15	SCREW, Choke Valve or Plate	3420 450	3420 450	3419 654	3419 654	3420 450	3420 450	3419 654
14-54-19	WASHER, Choke Shaft	-----	-----	-----	-----	3481 542	3481 542	-----
14-54-28	SCREW, Choke Bracket	3481 217	3481 217	-----	-----	-----	-----	-----
14-54-34	SCREW, Bowl Cover	3481 211	3481 211	-----	-----	-----	-----	-----
14-54-37	WASHER, Mechanical Vent	-----	-----	3419 685	3419 685	-----	-----	3419 685
14-54-42	WASHER, Pump Plunger	3481 224	3481 224	-----	-----	3481 224	3481 224	-----
14-54-47	SCREW, Pump Arm	3481 212	3481 212	-----	-----	3481 279	3481 279	-----
14-54-72	SCREW, Air Horn	3481 213	348 213	-----	-----	3481 211	3481 211	-----
14-54-78	SCREW, Float Bowl SCREW, Body Flange	-----	-----	3419 653	3419 653	-----	-----	3419 653
14-54-140	SCREW, Dashpot Bracket	3481 230	3481 230	3419 659	-----	3481 280	3481 280	-----
14-54-148	SCREW, Step-Up Piston Plate Guide	3481 214	3481 214	-----	-----	3481 214	3481 214	-----
PART TYPE	COMPONENT CHART REFERENCE NO.	8	9	10	11	12	13	14
CODE	MFG. NO.	R4164A	R4165A	46005S	4606S	4607S	4608S	4611S
14-30-2	GASKET, Flange	2205 582	2205 582	2468 818	2468 818	2468 818	2468 818	2951 602
14-30-3	VENTURI, Primary, Pump Side	-----	-----	-----	-----	-----	-----	3420 423
	Opposite Pump	-----	-----	-----	-----	-----	-----	3420 422
14-30-4	ZIP KIT	-----	-----	2933 037	2933 037	2933 104	2933 104	2933 200
	MINOR REPAIR KIT	2933 125	2933 125	-----	-----	-----	-----	-----

TYPE LETTERS Indicates

B - Barracuda

V - Valiant
L - DartR - Belvedere
W - CoronetP - Plymouth
D - DodgeC - Chrysler
Y - Imperial

AR Indicates use as required.

= Indicates parts not listed in any previous parts book.

Numerals in parentheses () refer to notes.

★ Indicates change or addition.

Printed in U.S.A.

January 1971

14-30-0 CARBURETOR Cont'd.

PART TYPE	COMPONENT CHART REFERENCE NO.	8	9	10	11	12	13	14
CODE	MFG. NO.	R4164A	R4165A	46005S	4606S	4607S	4608S	4611S
14-30-7	GASKET PACKAGE	2585 463	2585 463	2808 023	2808 023	2808 023	2808 023	2933 197
14-30-8	NEEDLE, w/Seat, Float	2299 042	2299 042	2809 396	2809 396	2933 042	2933 042	2933 105
14-30-27	STRAINER, Fuel Inlet	-----	-----	-----	-----	-----	-----	1826 864
14-30-28	NUT, Strainer	-----	-----	-----	-----	-----	-----	1826 863
14-30-29	GASKET, Strainer Nut	-----	-----	-----	-----	-----	-----	3420 413
14-30-31	BAFFLE, Fuel Inlet	3419 688	3419 688	-----	-----	-----	-----	3420 448
14-32-15	SCREW, Venturi	-----	-----	-----	-----	-----	-----	-----
14-34-2	GASKET, Body Flange	-----	-----	3481 292	-----	-----	3481 292	-----
14-34-3	GASKET, Float Bowl	3419 664	3419 664	-----	-----	-----	-----	-----
14-34-5	GASKET, Body	-----	-----	1631 520	1631 520	1631 520	1631 520	-----
14-34-10	GASKET, Economiser Body	3419 662	3419 662	-----	-----	-----	-----	-----
14-34-13	GASKET, Step-Up Piston	-----	-----	3481 198	-----	-----	3481 198	-----
14-34-21	GASKET, Needle Seat	-----	3419 663	3481 199	-----	-----	3481 199	-----
14-34-63	SEAL, Venturi Vent	-----	-----	-----	-----	-----	-----	3420 479
	SEAL, Grommet	-----	-----	-----	-----	-----	-----	3420 480
14-34-71	GASKET, Venturi Cover	-----	-----	3481 293	-----	-----	3481 293	-----
14-35-1	JET, Main Metering	2808 198	2809 224	2585 406	2585 406	2585 408	2585 408	-----
	Primary	-----	-----	-----	-----	-----	-----	2809 254
	Secondary	-----	-----	-----	-----	-----	-----	2933 195
14-35-3	JET, Pump	-----	-----	-----	-----	-----	-----	3420 418
14-35-10	SCREW, Pump Jet	-----	-----	-----	-----	-----	-----	3420 440
14-35-33	STEM, Economiser	2299 040	2299 040	-----	-----	-----	-----	-----
14-35-38	SPRING, Vacuum Piston	-----	-----	-----	-----	-----	-----	3420 428
14-35-39	WELL, Main	3419 510	3419 512	-----	-----	-----	-----	-----
14-35-42	COVER, Venturi	-----	-----	3481 290	3481 290	3481 290	3481 290	-----
14-35-43	SCREW, Economiser Body	3419 657	3419 657	-----	-----	-----	-----	-----
	SCREW, Main Well, Long	3419 652	3419 652	-----	-----	-----	-----	-----
		Short 3419 651	3419 651	-----	-----	-----	-----	-----
		3419 670	3419 670	-----	-----	-----	-----	-----
14-35-45	COVER, Economiser Body	-----	-----	-----	-----	-----	-----	-----
14-36-1	SPRING, Idle Adjusting	-----	-----	-----	-----	-----	-----	-----
	Needle	3419 674	3419 674	-----	-----	-----	-----	-----
	SPRING, Fast Idle Screw	3419 677	3419 677	-----	-----	-----	-----	-----
	SPRING, Fast Idle Speed	-----	-----	-----	-----	-----	-----	-----
	Screw	-----	-----	3481 276	3481 276	3481 276	3481 276	-----
	SPRING, Idle Speed Screw	-----	-----	3481 205	3481 205	3481 205	3481 205	3420 425
	SPRING, Idle Air Screw	-----	-----	-----	-----	-----	-----	3420 426
14-36-2	SPRING, Step-Up Piston	-----	-----	3481 234	3481 234	3481 234	3481 234	-----
14-36-15	SPRING, Pump	3419 679	3419 694	3481 207	3481 207	3481 207	3481 207	3420 424
14-36-22	SPRING, Secondary	-----	-----	-----	-----	-----	-----	3420 432
	Throttle Return	-----	-----	-----	-----	-----	-----	-----
14-36-29	SPRING, Throttle Stop	-----	-----	-----	-----	-----	-----	-----
	Screw	3419 675	3419 675	-----	-----	-----	-----	-----
14-36-50	SPRING, Mechanical	-----	-----	-----	-----	-----	-----	-----
	Vent	3419 678	3419 678	-----	-----	-----	-----	-----
	SPRING, Air Valve	-----	-----	-----	-----	-----	-----	3420 430
	SPRING, Bowl Vent Arm	-----	-----	-----	-----	-----	-----	3420 431
14-37-4	PLUG, Passage	-----	-----	-----	-----	-----	-----	3420 405
14-37-15	PLUG, Idle Port Rivet	-----	-----	-----	-----	-----	-----	3420 406
	PLUG, Rivet	-----	-----	-----	-----	-----	-----	3420 404
14-37-27	LEAD SHOT (.180)	-----	-----	3481 284	3481 284	3481 284	3481 284	3420 453
	LEAD SHOT (.200)	-----	-----	3420 454	3420 454	3420 454	3420 454	3420 454
14-37-29	BALL, Pump Intake Check	-----	-----	3481 289	3481 289	3481 289	3481 289	-----
14-37-30	BALL, Pump Discharge Check	-----	-----	3481 220	3481 220	3481 220	3481 220	-----
14-38-4	VALVE or PLATE, Throttle	3419 693	3419 693	3481 269	3481 269	3481 269	3481 269	-----
	Primary	-----	-----	-----	-----	-----	-----	3420 398
	Secondary	-----	-----	-----	-----	-----	-----	3420 397
	VALVE, Air	-----	-----	-----	-----	-----	-----	3420 403

TYPE LETTERS Indicates V - Valiant R - Belvedere P - Plymouth C - Chrysler
 B - Barracuda L - Dart W - Coronet D - Dodge Y - Imperial

AR Indicates use as required.
 = Indicates parts not listed in any previous parts book.

Numerals in parentheses () refer to notes.
 ★ Indicates change or addition.

Printed in U.S.A.
 January 1971

14-30-0 CARBURETOR Cont'd.

PART TYPE	COMPONENT CHART REFERENCE NO.	8	9	10	11	12	13	14
CODE	MFG. NO.	R4164A	R4165A	46005S	4606S	4607S	4608S	4611S
14-38-5	SCREW, Throttle Valve or Plate	3419 654	3419 654	3420 445	3420 445	3420 445	3420 445	3420 446
	Primary Valve	_____	_____	_____	_____	_____	_____	3420 445
	Secondary Valve	_____	_____	_____	_____	_____	_____	_____
14-38-12	SHAFT, w/Lever, Throttle	3419 692	3420 252	3481 270	3481 297	3481 301	3481 304	_____
	SHAFT, w/Lever and Dog, Primary Throttle	_____	_____	_____	_____	_____	_____	3420 400
	SHAFT, w/Dog, Secondary Throttle	_____	_____	_____	_____	_____	_____	3420 399
	SHAFT, Air Valve	_____	_____	_____	_____	_____	_____	3420 407
14-38-13	ARM, Primary Throttle Shaft Inner	_____	_____	_____	_____	_____	_____	3420 460
	Outer	_____	_____	_____	_____	_____	_____	3420 458
14-38-14	DOG, Throttle Shaft	_____	_____	_____	_____	_____	_____	3420 401
	DOG, Lockout	_____	_____	_____	_____	_____	_____	3420 421
14-38-20	SPRING, Throttle Lever	_____	_____	_____	_____	_____	_____	3420 429
14-38-27	BEARING, Air Valve Shaft, to Adjust Spring Tension	_____	_____	_____	_____	_____	_____	3420 483
	BEARING, Air Valve Shaft	_____	_____	_____	_____	_____	_____	3420 484
14-38-28	ROD, Throttle Connector	_____	_____	3481 286	3481 299	3481 286	3481 299	3420 462
14-38-50	ROD, Throttle Operating	_____	_____	_____	_____	_____	_____	3420 461
14-38-53	ROD, Secondary Throttle Operating	_____	_____	_____	_____	_____	_____	3420 420
14-39-1	VALVE or PLATE, Choke VALVE, Countershaft Lever to Choke	3419 649	3419 649	3481 271	3481 271	3481 271	3481 271	3420 402
	VALVE, Countershaft	_____	_____	_____	_____	_____	_____	3420 410
14-39-6	SHAFT, Choke	3419 650	3419 650	3481 272	3481 272	3481 272	3481 272	3420 457
14-39-7	DIAPHRAGM, Choke	3419 508	3419 508	2933 185	2933 185	2933 185	2933 185	2933 196
14-39-8	LINK, Choke Diaphragm	3419 671	3419 671	_____	_____	_____	_____	_____
	LINK, Choke Valve	_____	_____	_____	_____	_____	_____	3420 466
14-39-9	SCREW, Diaphragm Bracket	_____	_____	3420 447	3420 447	3420 447	3420 447	3420 447
14-39-10	LEVER, Choke	_____	_____	3481 273	3481 273	3481 273	3481 273	3420 411
	LEVER, Choke Shaft	_____	_____	_____	_____	_____	_____	3420 409
14-39-15	SCREW, Shaft Lever	_____	_____	_____	_____	_____	_____	3420 437
	SCREW, Countershaft Lever	_____	_____	_____	_____	_____	_____	3420 442
14-39-27	RETAINER, Choke Connector Rod	_____	_____	3420 433	3420 433	3420 433	3420 433	3420 433
14-39-28	ROD, Choke Connector	_____	_____	3481 288	3481 288	3481 288	3481 288	_____
	ROD, Diaphragm Connector	_____	_____	3481 287	3481 287	3481 287	3481 287	3420 463
14-39-31	SPACER, Choke Connector Rod	_____	_____	3481 285	3481 285	3481 285	3481 285	_____
14-39-45	CHOKE SCREW, w/WASHER	2658 398	2658 399	2863 843	2863 843	2863 843	2863 843	2863 845
	SCREW, w/WASHER	6024 560	6024 560	6024 560	6024 560	6024 560	6024 560	6024 560
14-39-51	HOSE, Choke Vacuum	3419 687	3419 687	3481 294	3481 294	3481 294	3481 294	3420 475
14-39-56	PIN SPRING	_____	_____	3420 476	3420 476	3420 476	3420 476	3420 476
14-39-57	PIN SPRING, Diaphragm Connector Rod	_____	_____	3420 477	3429 477	3420 477	3420 477	3420 477
14-40-1	FLOAT, w/Lever	3419 668	3419 668	3481 274	3481 274	3481 274	3481 274	3420 415
14-40-4	PIN, Float Lever	_____	_____	3481 201	3481 201	3481 201	3481 201	3420 416
14-40-5	RETAINER, Float	3419 673	3419 673	_____	_____	_____	_____	_____
	RETAINER, Float Lever Pin	_____	_____	3481 277	3481 277	3481 277	3481 277	_____
14-40-7	BOWL, Float	3419 672	3419 672	_____	_____	_____	_____	_____
14-40-18	SPRING, Float	3419 676	3419 676	_____	_____	_____	_____	_____
14-40-23	ARM, Bowl Vent	_____	_____	_____	_____	_____	_____	3420 419
14-40-35	BAFFLE, Fuel Bowl	_____	3481 688	_____	_____	_____	_____	3420 482
14-41-3	PLUNGER, w/Rod, Pump	2525 782	3481 623	2933 001	2933 001	2933 001	2933 001	2933 193
14-41-7	LINK, Pump Operating	2808 062	2808 062	_____	_____	_____	_____	_____

TYPE LETTERS Indicates

B - Barracuda

V - Valiant
L - DartR - Belvedere
W - CoronetP - Plymouth
D - DodgeC - Chrysler
Y - Imperial

AR Indicates use as required.

= Indicates parts not listed in any previous parts book.

Numerals in parentheses () refer to notes.

★ Indicates change or addition.

Printed in U.S.A.
January 1971

14-30-0 CARBURETOR Cont'd.

PART TYPE	COMPONENT CHART REFERENCE NO.	8	9	10	11	12	13	14
CODE	MFG. NO.	R4164A	R4165A	46005S	4606S	4607S	4608S	4611S
14-41-8	LINK, Pump Connector	-----	-----	-----	-----	-----	-----	3420 465
14-41-9	ARM, Pump	-----	-----	3481 275	3481 275	3481 275	3481 275	3420 456
14-41-13	RETAINER, Pump Plunger	-----	-----	3481 278	3481 278	3481 278	3481 278	-----
14-41-22	LEVER, Pump Operating	2808 061	2808 061	-----	-----	-----	-----	-----
14-41-23	RETAINER, Pump Operating Lever	2808 059	2808 059	-----	-----	-----	-----	-----
14-41-30	NEEDLE, Pump Discharge Check	-----	-----	-----	-----	-----	-----	3420 412
14-43-3	PISTON, w/Plate, Step-Up	-----	-----	3481 295	3481 295	3481 295	3481 295	3420 478
14-43-4	PLATE, Step-Up Piston Cover, Opposite Pump Pump Side	-----	-----	-----	-----	-----	-----	3420 434
14-43-5	ROD, Step-Up	-----	-----	2585 419	2585 702	2933 188	2933 188	3420 435
14-43-10	SPRING, Step-Up Rod Retaining	-----	-----	-----	-----	-----	-----	2933 194
14-45-1	SCREW, Fast Idle	3419 656	3419 656	-----	-----	-----	-----	3420 427
14-45-4	SCREW, Fast Idle	3419 667	3419 667	-----	-----	-----	-----	-----
14-45-4	CAM, Fast Idle	3419 655	3419 655	3481 296	3481 300	3481 296	3481 300	3420 481
14-45-5	ROD, Fast Idle	3419 682	3419 682	-----	-----	-----	-----	3420 464
14-45-8	SCREW, Fast Idle Cam	3419 658	3419 658	3481 282	3481 282	3481 282	3481 282	3420 441
14-45-12	LIMITER, Idle Adjusting Needle or Screw	3419 689	3419 689	3420 436	-----	-----	3420 436	3420 436
14-45-20	SCREW, Idle Air	-----	-----	-----	-----	-----	-----	3420 417
14-45-25	SCREW, Fast Idle Speed	-----	-----	3481 215	3481 215	3481 215	3481 215	3420 439
14-45-27	SCREW, Idle Speed	-----	-----	3481 281	3481 281	3481 281	3481 281	3420 449
14-45-27	WASHER, Idle Speed Screw	-----	-----	-----	-----	-----	-----	3420 473
14-46-1	VALVE, Mechanical Vent	3419 669	3419 669	-----	-----	-----	-----	-----
14-46-2	ROD, Mechanical Vent	3419 683	3419 683	-----	-----	-----	-----	-----
14-50-6	SCREW, Dashpot Bracket	3419 684	-----	-----	-----	-----	-----	-----
14-50-8	NUT, Dashpot	3419 680	-----	3420 455	-----	3420 455	-----	3420 455
14-50-13	BRACKET, Dashpot	3419 286	-----	2933 186	-----	2933 186	-----	2933 141
14-50-25	DASHPOT	2809 243	-----	2808 101	-----	2808 101	-----	2933 140
14-50-27	LEVER, Dashpot	-----	-----	-----	-----	-----	-----	3420 459
14-54-3	SCREW, Throttle Stop	3419 661	3419 661	-----	-----	-----	-----	-----
14-54-5	SCREW, Throttle Shaft Lever	-----	-----	-----	-----	-----	-----	3420 438
14-54-6	WASHER, Secondary Throttle Shaft	-----	-----	-----	-----	-----	-----	3420 472
14-54-15	SCREW, Choke Plate or Valve	3419 654	3419 654	3420 450	3420 450	3420 450	3420 450	3420 450
14-54-37	WASHER, Mechanical Vent Pick-Up	3419 685	3419 685	-----	-----	-----	-----	-----
14-54-42	WASHER, Pump Plunger	-----	-----	3481 224	3481 224	3481 224	3481 224	-----
14-54-47	SCREW, Pump Arm	-----	-----	3481 279	3481 279	3481 279	3481 279	3420 452
14-54-51	WASHER, Choke Lever Retainer	-----	-----	-----	-----	-----	-----	3420 474
14-54-72	SCREW, Air Horn Air Horn	-----	-----	3481 211	3481 211	3481 211	3481 211	-----
14-54-78	SCREW, Float Bowl Body Flange	3419 653	3419 653	3481 230	3481 230	-----	3420 443	3420 443
14-54-140	SCREW, Dashpot Bracket Body	-----	-----	3481 280	3481 280	3481 280	3481 280	-----
14-54-148	SCREW, Step-Up Piston Plate	3419 659	-----	-----	-----	3481 230	3481 230	-----
14-54-152	SCREW, Venturi Cluster	-----	-----	3420 443	-----	-----	-----	3420 444
		-----	-----	3481 214	3481 214	3481 214	3481 214	3420 451
		-----	-----	3481 283	3481 298	3481 302	3481 302	-----

TYPE LETTERS Indicates B - Barracuda V - Valiant L - Dart R - Belvedere W - Coronet P - Plymouth D - Dodge C - Chrysler Y - Imperial

AR Indicates use as required.
= Indicates parts not listed in any previous parts book.

Numerals in parentheses () refer to notes.
★ Indicates change or addition.

Printed in U.S.A.
January 1971

1969 PASSENGER CAR PARTS CATALOG

FUEL

14-30-0 CARBURETOR Cont'd.

PART TYPE	COMPONENT CHART REFERENCE NO.	15	16	17	18	19	20	21
CODE	MFG. NO.	4612S	4639S	4613S	4614S	4615S	4616S	4638S
14-30-2	GASKET, Flange	2951 602	2951 602	2264 193	2264 193	2951 602	2951 602	2951 602
14-30-3	VENTURI, Primary, Pump Side	3420 486	3420 486	-----	-----	3481 058	3481 060	3481 060
	Opposite Pump	3420 485	3420 485	-----	-----	3481 057	3481 059	3481 059
14-30-4	ZIP KIT	2933 200	2933 200	2933 038	2933 038	2933 198	2933 198	2933 198
14-30-7	GASKET PACKAGE	2933 197	2933 197	2933 191	2933 191	2933 197	2933 197	2933 197
14-30-8	NEEDLE, w/Seat Float	2933 105	2933 105	2933 042	2933 042	2933 106	2933 106	2933 106
14-30-27	STRAINER, Fuel Inlet	1826 864	1826 864	-----	-----	1826 864	1826 864	1826 864
14-30-28	NUT, Strainer	1826 863	1826 863	-----	-----	1826 863	1826 863	1826 863
14-30-29	GASKET, Strainer Nut	3420 413	3420 413	-----	-----	3420 413	3420 413	3420 413
14-32-15	SCREW, Venturi	3420 448	3420 448	-----	-----	3420 448	3420 448	3420 448
14-34-5	GASKET, Body	-----	-----	3481 219	-----	-----	-----	-----
14-34-14	GASKET, Step-Up Piston	-----	-----	3481 198	-----	-----	-----	-----
14-34-21	GASKET, Needle Seat	3420 414	3420 414	3481 199	-----	-----	-----	-----
14-34-63	SEAL, Venturi Vent	3420 479	3420 479	-----	-----	3420 479	3420 479	3420 479
	SEAL, Grommet	3420 480	3420 480	3481 331	3481 331	3420 480	3420 480	3420 480
14-35-1	JET, Main Metering	-----	-----	3419 592	3419 592	-----	-----	-----
	Primary	2809 254	2809 254	-----	-----	2809 254	2809 254	2809 254
	Secondary	2933 195	2933 195	-----	-----	2933 023	2933 023	2933 023
14-35-3	JET, Pump	3420 418	3420 418	-----	-----	3420 418	3420 418	3420 418
14-35-10	SCREW, Pump Jet	3420 440	3420 440	-----	-----	3420 440	3420 440	3420 440
14-35-38	SPRING, Vacuum Piston	3420 428	3420 428	-----	-----	3420 428	3420 428	3420 428
14-35-42	COVER, Venturi	-----	-----	3481 318	3481 318	-----	-----	-----
14-36-1	SPRING, Idle Speed Screw	3420 425	3420 425	3481 205	3481 205	3420 425	3420 425	3420 425
	SPRING, Idle Air Screw	3420 426	3420 426	-----	-----	3420 426	3420 426	3420 426
	SPRING, Idle Mixture Screw	-----	-----	3481 247	3481 247	-----	-----	-----
	SPRING, Fast Idle Speed Screw	-----	-----	3481 276	3481 276	-----	-----	-----
14-36-10	SPRING, Step-Up Piston	-----	-----	3481 248	3481 248	-----	-----	-----
14-36-15	SPRING, Pump	3420 424	3420 424	3481 313	3481 313	3420 424	3420 424	3420 424
14-36-22	SPRING, Secondary Throttle	-----	-----	-----	-----	-----	-----	-----
	Return	3420 432	3420 432	-----	-----	3420 432	3420 432	3420 432
14-36-50	SPRING, Air Valve	3420 430	3420 430	-----	-----	3420 430	3420 430	3420 430
	SPRING, Bowl Vent Arm	3420 431	3420 431	-----	-----	3420 431	3420 431	3420 431
14-37-4	PLUG, Passage	3420 405	3420 405	-----	-----	3420 405	3420 405	3420 405
14-37-15	PLUG, Idle Port Rivet	3420 406	3420 406	-----	-----	3420 406	3420 406	3420 406
	PLUG, Rivet	3420 404	3420 404	-----	-----	3420 404	3420 404	3420 404
14-37-27	LEAD SHOT (.180)	3420 453	3420 453	3420 453	3420 453	3420 453	3420 453	3420 453
	LEAD SHOT (.200)	3420 454	3420 454	3481 284	3481 284	3420 454	3420 454	3420 454
14-37-29	BALL, Pump Intake Check	3420 470	3420 470	3481 289	3481 289	3420 470	3420 470	3420 470
14-37-30	BALL, Pump Discharge Check	-----	-----	3481 220	3481 220	-----	-----	-----
14-38-4	VALVE, Throttle	-----	-----	3481 307	3481 307	-----	-----	-----
	Primary	3420 398	3420 398	-----	-----	3420 398	3420 398	3420 398
	Secondary	3420 397	3420 397	-----	-----	3420 397	3420 397	3420 397
	VALVE, Air	3420 403	3420 403	-----	-----	3420 403	3420 403	3420 403
14-38-5	SCREW, Throttle Valve	-----	-----	3420 445	3420 445	-----	-----	-----
	Primary	3420 446	3420 446	-----	-----	3420 446	3420 446	3420 446
	Secondary	3420 445	3420 445	-----	-----	3420 445	3420 445	3420 445
14-38-12	SHAFT, w/Lever Throttle	-----	-----	3481 308	3481 308	-----	-----	-----
	SHAFT, w/Lever and Dog, Primary Throttle	3420 400	3420 400	-----	-----	3481 055	3481 055	3481 055
	SHAFT, w/Dog Secondary Throttle	3420 399	3420 399	-----	-----	3420 399	3420 399	3420 399
	SHAFT, Air Valve	3420 407	3420 407	-----	-----	3420 407	3420 407	3420 407
14-38-13	ARM, Primary Throttle	-----	-----	-----	-----	-----	-----	-----
	Shaft, Inner	3420 460	3420 460	-----	-----	3420 460	3420 460	3420 460
	Outer	3420 458	3420 458	-----	-----	3420 458	3420 458	3420 458
14-38-14	DOG, Throttle Shaft	3420 401	3420 401	-----	-----	3420 401	3420 401	3420 401
	DOG, Lockout	3420 421	3420 421	-----	-----	3420 421	3420 421	3420 421

TYPE LETTERS Indicates

B - Barracuda

V - Valiant
L - Dart

R - Belvedere
W - Coronet

P - Plymouth
D - Dodge

C - Chrysler
Y - Imperial

AR Indicates use as required.

= Indicates parts not listed in any previous parts book.

Numerals in parentheses () refer to notes.

* Indicates change or addition.

Printed in U.S.A.
January 1971

14-30-0 CARBURETOR Cont'd.

PART TYPE	COMPONENT CHART REFERENCE NO.	15	16	17	18	19	20	21
CODE	MFG. NO.	4612S	4639S	4613S	4614S	4615S	4616S	4638S
14-38-20	SPRING, Throttle Lever	3420 429	3420 429	-----	-----	3420 429	3420 429	3420 429
14-38-27	BEARING, Air Valve Shaft, to Adjust Spring Tension	3420 483	3420 483	-----	-----	3420 483	3420 483	3420 483
14-38-28	BEARING, Air Valve Shaft	3420 484	3420 484	-----	-----	3420 484	3420 484	3420 484
14-38-28	ROD, Throttle Connector	3420 462	3420 462	3481 316	3481 316	3420 462	3420 462	3420 462
14-38-50	ROD, Throttle Operating	3420 461	3420 461	-----	-----	3420 461	3420 461	3420 461
14-38-53	LEVER, Secondary Throttle Operating	3420 420	3420 420	-----	-----	3420 420	3420 420	3420 420
14-39-1	VALVE, Choke	3420 402	3420 402	3481 309	3481 309	3420 402	3420 402	3420 402
14-39-1	VALVE, Countershaft Lever to Choke	3420 410	3420 410	-----	-----	3420 410	3420 410	3420 410
14-39-6	LEVER, Choke Loose	-----	-----	3481 273	3481 273	-----	-----	-----
14-39-6	LEVER, w/Shaft Choke	3420 457	3420 457	3481 310	3481 310	3420 457	3420 457	3420 457
14-39-7	DIAPHRAGM, Choke	2933 199	2933 199	2933 190	3419 584	2933 196	2933 199	2933 199
14-39-8	LINK, Choke Valve	3420 466	3420 466	-----	-----	3420 466	3420 466	3420 466
14-39-9	SCREW, Choke Diaphragm Bracket	3420 447	3420 447	3420 447	3420 447	3420 447	3420 447	3420 447
14-39-10	LEVER, Choke Shaft	3420 409	3420 409	-----	-----	3420 409	3420 409	3420 409
14-39-10	LEVER, Choke	3420 411	3420 411	-----	-----	3420 411	3420 411	3420 411
14-39-15	SCREW, Choke Shaft Lever	3420 437	3420 437	-----	-----	3420 437	3420 437	3420 437
14-39-15	SCREW, Countershaft Lever	3420 442	3420 442	-----	-----	3420 442	3420 442	3420 442
14-39-27	RETAINER, Diaphragm Connector Rod	3420 433	3420 433	-----	-----	3420 433	3420 433	3420 433
14-39-28	ROD, Ch. Dia. Connector	3420 463	3420 463	3481 317	3481 317	3420 463	3420 463	3420 463
14-39-30	SHAFT, Choke	3420 408	3420 408	-----	-----	3420 408	3420 408	3420 408
14-39-31	WASHER, Dia. Conn Rod	3420 471	3420 471	-----	-----	3420 471	3420 471	3420 471
14-39-45	CHOKE	2963 845	2863 845	2946 526	2946 526	2863 845	2863 845	2863 845
14-39-51	HOSE, Choke Diaphragm	3420 475	3420 475	3481 294	3481 294	3420 475	3420 475	3420 475
14-39-56	PIN SPRING	3420 476	3420 476	3420 476	3420 476	3420 476	3420 476	3420 476
14-39-57	PIN SPRING, Diaphragm Connector Rod	3420 477	3420 477	3420 477	3420 477	3420 477	3420 477	3420 477
14-39-60	SCREW, Thermostatic Valve	-----	3481 052	-----	-----	-----	-----	3481 052
14-40-1	FLOAT, w/Lever	3420 415	3420 415	3481 311	3481 311	3481 056	3481 056	3481 056
14-40-4	PIN, Float Lever	3420 416	3420 416	3481 201	3481 201	3420 416	3420 416	3420 416
14-40-5	RETAINER, Float Lever Pin	-----	-----	3481 277	3481 277	-----	-----	-----
14-40-23	ARM, Bowl Vent	3420 419	3420 419	-----	-----	3420 419	3420 419	3420 419
14-40-35	BAFFLE, Fuel Bowl	3420 482	3420 482	-----	-----	3420 482	3420 482	3420 482
14-41-3	PLUNGER, w/Rod, Pump	2933 193	2933 193	1826 607	1826 607	2933 193	2933 193	2933 193
14-41-5	ARM, w/Countershaft, Pump	-----	-----	3481 236	3481 236	-----	-----	-----
14-41-8	LINK, Pump Connector	3420 465	3420 465	-----	-----	3420 465	3420 465	3420 465
14-41-8	ARM, Pump	3420 456	3420 456	3481 312	3481 312	3420 456	3420 456	3420 456
14-41-9	ARM, Loose Lever	-----	-----	3481 328	3481 328	-----	-----	-----
14-41-40	NEEDLE, Pump Discharge Check	3420 412	3420 412	-----	-----	3420 412	3420 412	3420 412
14-43-3	PISTON, Step-Up	3420 478	3420 478	3481 323	3481 323	3420 478	3420 478	3420 478
14-43-4	PLATE, Step-Up Piston Cover (Pump Side)	3420 435	3420 435	-----	-----	3420 435	3420 435	3420 435
14-43-4	(Opposite Pump)	3420 434	3420 434	-----	-----	3420 434	3420 434	3420 434
14-43-5	ROD, Step-Up	2240 466	2240 466	2808 016	3419 591	2275 250	2933 158	2933 158
14-43-10	SPRING, Step-Up Rod Retaining	3420 427	3420 427	-----	-----	3420 427	3420 427	3420 427
14-45-4	CAM, Fast Idle	3481 054	3481 054	3481 324	3481 324	3420 481	3481 061	3481 061
14-45-5	ROD, Fast Idle Connector	3420 464	3420 464	3481 329	3481 329	3420 464	3420 464	3420 464
14-45-7	ARM, w/Screw Fast Idle	-----	-----	3481 327	3481 327	-----	-----	-----
14-45-8	SCREW, Fast Idle Cam	3420 441	3420 441	-----	-----	3420 441	3420 441	3420 441
14-45-12	LIMITER, Idle Screw	3420 436	3420 436	3420 436	-----	-----	-----	-----

TYPE LETTERS Indicates V - Valiant L - Dart R - Belvedere W - Coronet P - Plymouth D - Dodge C - Chrysler Y - Imperial B - Barracuda

AR Indicates use as required.
= Indicates parts not listed in any previous parts book.

Numerals in parentheses () refer to notes.
★ Indicates change or addition.

Printed in U.S.A.
January 1971

14-30-0 CARBURETOR Cont'd.

PART TYPE	COMPONENT CHART REFERENCE NO.	15	16	17	18	19	20	21
CODE	MFG. NO.	4612S	4639S	4613S	4614S	4615S	4616S	4638S
14-45-20	SCREW, Idle Air	3420 417	3420 417	—	—	3420 417	3420 417	3420 417
	SCREW, Idle Mixture	—	—	3481 325	3481 325	—	—	—
14-45-25	SCREW, Fast Idle Speed	3420 439	3420 439	3481 215	3481 215	3420 439	3420 439	3420 439
	SCREW, Idle Speed	3420 449	3420 449	3481 210	3481 210	3420 449	3420 449	3420 449
14-45-27	WASHER, Idle Speed Screw	3420 473	3420 473	—	—	3420 473	3420 473	3420 473
14-48-2	VALVE, Thermostatic	—	2933 165	—	—	—	—	2933 165
14-50-8	NUT, Dashpot Lock	—	—	—	—	3420 455	—	—
14-50-13	BRACKET, Dashpot	—	—	—	—	2933 141	—	—
14-50-25	DASHPOT	—	—	—	—	3419 501	—	—
14-54-5	SCREW, Throttle Shaft Lever	3420 438	3420 438	—	—	3420 438	3420 438	3420 438
14-54-6	WASHER, Primary Throttle Shaft	3481 051	3481 051	—	—	3481 051	3481 051	3481 051
	WASHER, Secondary Throttle Shaft	3420 472	3420 472	—	—	3420 472	3420 472	3420 472
	SCREW, Idle Speed	3420 449	3420 449	3481 210	3481 210	3420 449	3420 449	3420 449
14-45-27	WASHER, Idle Speed Screw	3420 473	3420 473	—	—	3420 473	3420 473	3420 473
14-48-2	VALVE, Thermostatic	—	2933 165	—	—	—	—	2933 165
14-50-8	NUT, Dashpot Lock	—	—	—	—	3420 455	—	—
14-50-13	BRACKET, Dashpot	—	—	—	—	2933 141	—	—
14-50-25	DASHPOT	—	—	—	—	3419 501	—	—
14-54-5	SCREW, Throttle Shaft Lever	3420 438	3420 438	—	—	3420 438	3420 438	3420 438
14-54-6	WASHER, Primary Throttle Shaft	3481 051	3481 051	—	—	3481 051	3481 051	3481 051
	WASHER, Secondary Throttle Shaft	3420 472	3420 472	—	—	3420 472	3420 472	3420 472
14-54-15	SCREW, Choke Valve	3420 450	3420 450	3420 450	3420 450	3420 450	3420 450	3420 450
	SCREW, Air Valve	3420 450	3420 450	—	—	3420 450	3420 450	3420 450
14-54-47	SCREW, Pump Arm	3420 452	3420 452	3481 314	3481 314	3420 452	3420 452	3420 452
	SCREW, Fast Idle Arm	—	—	—	3481 279	—	—	—
14-54-51	WASHER, Choke Lever Retainer	3420 474	3420 474	—	—	3420 474	3420 474	3420 474
	WASHER, Pump Spring Retainer	—	—	3481 330	3481 330	—	—	—
14-54-72	SCREW, Air Horn	3420 443	3420 443	3481 211	3481 211	3420 443	3420 443	3420 443
14-54-78	SCREW, Body Flange	—	—	3420 443	3420 443	—	—	—
14-54-140	SCREW, Dashpot Bracket	—	—	—	—	3420 444	—	—
14-54-148	SCREW, Step-Up Piston Cover Plate	3420 451	3420 451	—	—	3420 451	3420 451	3420 451
	SCREW, Step-Up Piston Plate	—	—	3481 315	3481 315	—	—	—
14-54-152	SCREW, Air Valve Retainer	3420 451	3420 451	—	—	3420 451	3420 451	3420 451
	SCREW, Venturi Cluster	—	—	3481 298	3481 332	—	—	—
PART TYPE	COMPONENT CHART REFERENCE NO.	22	23	24	25	26	27	28
CODE	MFG. NO.	R4166A	4617S	4618S	4640S	4619S	4620S	4621S
14-30-2	GASKET, Flange	2951 602	2951 602	2951 602	2951 602	2780 629	2780 629	2780 629
14-30-3	VENTURI, Primary, Pump Side	—	3481 065	3481 067	3481 067	3481 084	3481 165	3481 165
	Opposite Pump	—	3481 064	3481 066	3481 066	3481 085	3481 166	3481 166
	VENTURI, Secondary, Pump Side	—	—	—	—	3481 086	3481 167	3481 167
	Opposite Pump	—	—	—	—	3481 087	3481 168	3481 168
14-30-4	REPAIR KIT, Minor ZIP KIT	2933 167	—	—	—	—	—	—
14-30-7	GASKET KIT	2933 166	2933 198	2933 198	2933 198	3419 503	3419 503	3419 503
14-30-8	NEEDLE, w/Seat, Float	2809 335	2933 197	2933 197	2933 197	3419 502	3419 502	3419 502
14-30-16	PLATE, Fuel Bowl Baffle	3420 324	2933 106	2933 106	2933 106	2809 397	2809397	2809 397
14-30-27	STRAINER, Fuel Inlet	—	1826 864	1826 864	1826 864	1826 864	1826 864	1826 864

TYPE LETTERS Indicates

B - Barracuda

V - Valiant
L - DartR - Belvedere
W - CoronetP - Plymouth
D - DodgeC - Chrysler
Y - Imperial

AR Indicates use as required.

≠ Indicates parts not listed in any previous parts book.

Numerals in parentheses () refer to notes.

★ Indicates change or addition.

Printed in U.S.A.
January 1971

14-30-0 CARBURETOR Cont'd.

PART TYPE	COMPONENT CHART REFERENCE NO.	22	23	24	25	26	27	28
CODE	MFG. NO.	R4166A	4617S	4618S	4640S	4619S	4620S	4621S
14-30-28	NUT, Strainer	-----	1826 863	1826 863	1826 863	1826 863	1826 863	1826 863
14-30-29	GASKET, Strainer Nut	-----	3420 413	3420 413	3420 413	3420 413	3420 413	3420 413
14-30-30	FITTING, Fuel Inlet	2809 248	-----	-----	-----	-----	-----	2495 953
14-30-31	BAFFLE, Fuel Inlet	3420 389	-----	-----	-----	-----	-----	-----
14-32-15	SCREW, Venturi	-----	3420 448	3420 448	3420 448	-----	-----	-----
	SCREW, Primary Venturi	-----	-----	-----	-----	3420 448	3420 448	3420 448
	SCREW, Secondary Venturi	-----	-----	-----	-----	3481 092	3481 092	3481 092
14-33-1	BODY, w/Shaft, Throttle	3420 359	-----	-----	-----	-----	-----	-----
14-34-3	GASKET, Fuel Bowl	3514 850	-----	-----	-----	-----	-----	-----
14-34-5	GASKET, Body	-----	-----	-----	-----	2299 140	2299 140	2299 140
14-34-10	GASKET, Secondary Metering Body	3514 851	-----	-----	-----	-----	-----	-----
14-34-55	GASKET, Coil Housing	-----	-----	-----	-----	-----	1330 873	1330 873
14-34-63	SEAL, Venturi Vent	-----	-----	3420 479	3420 479	-----	-----	-----
	SEAL, Grommet	-----	3420 480	3420 480	3420 480	-----	3420 480	3420 480
14-35-1	JET, Main Metering	2196 240	-----	-----	-----	-----	-----	-----
	JET, Primary Metering	-----	2933 020	2933 020	2933 020	2809 305	2809 305	2809 305
	JET, Secondary Metering	-----	2933 195	2933 195	2933 195	2933 206	-----	-----
	Pump Side	-----	-----	-----	-----	-----	2933 023	2933 023
	Opposite Pump	-----	-----	-----	-----	-----	2809 283	2809 283
14-35-3	NOZZLE, Pump Discharge	3420 366	-----	-----	-----	-----	-----	-----
	JET, Pump	-----	3420 418	3420 418	3420 418	-----	-----	-----
	JET, w/Housing, Pump	-----	-----	-----	-----	3481 082	3481 162	3481 162
14-35-6	VALVE, Power	2084 715	-----	-----	-----	-----	-----	-----
	VALVE, Pump Discharge Needle	3420 296	-----	-----	-----	-----	-----	-----
14-35-9	DIAPHRAGM, Secondary	2809 252	-----	-----	-----	-----	-----	-----
14-35-10	SCREW, Pump Jet	-----	3420 440	3420 440	3420 440	3420 440	3420 440	3420 440
14-35-18	SCREW, Secondary Diaphragm Housing	3420 343	-----	-----	-----	-----	-----	-----
14-35-19	SCREW, Pump Discharge Nozzle	3420 346	-----	-----	-----	-----	-----	-----
14-35-25	HOUSING, Diaphragm	3420 392	-----	-----	-----	-----	-----	-----
14-35-26	LEVER, Diaphragm	3420 391	-----	-----	-----	-----	-----	-----
14-35-38	SPRING, Vacuum Piston	-----	3420 428	3420 428	3420 428	3420 428	3420 428	3420 428
14-35-39	BODY, w/Plugs, Primary Metering	3420 374	-----	-----	-----	-----	-----	-----
	BODY, Secondary Metering	3420 371	-----	-----	-----	-----	-----	-----
14-35-43	SCREW, Secondary Metering Body	3420 349	-----	-----	-----	-----	-----	-----
14-36-1	SPRING, Pump Lever Adjusting Screw	3420 378	-----	-----	-----	-----	-----	-----
	SPRING, Idle Speed Screw	-----	3420 425	3420 425	3420 425	3420 425	3420 425	3420 425
	SPRING, Idle Air Screw	-----	3420 426	3420 426	3420 426	-----	-----	-----
14-36-15	SPRING, Pump	-----	3420 424	3420 424	3420 424	3481 088	3481 088	3481 088
14-36-22	SPRING, Secondary Throttle Return	-----	3420 432	3420 432	3420 432	3481 089	3481 089	3481 089
14-36-29	SPRING, Throttle Stop Screw	3419 675	-----	-----	-----	-----	-----	-----
	SPRING, Idle Needle	3420 380	-----	-----	-----	-----	-----	-----
14-36-50	SPRING, Air Vent Valve	3420 377	-----	-----	-----	-----	-----	-----
	SPRING, Air Valve	-----	3420 430	3420 430	3420 430	-----	-----	-----
	SPRING, Bowl Vent Arm	-----	3420 431	-----	3420 431	-----	3420 431	-----
	SPRING, Throttle Lever	-----	-----	3420 429	-----	-----	-----	3420 429
14-36-53	SPRING, Diaphragm Return	3420 376	-----	-----	-----	-----	-----	-----
	SPRING, Secondary Diaphragm	3420 394	-----	-----	-----	-----	-----	-----
14-37-4	PLUG, Passage	-----	3420 405	3420 405	3420 405	-----	-----	-----
	PLUG, Secondary Passage	-----	-----	-----	-----	3481 077	3481 077	3481 077

TYPE LETTERS Indicates V - Valiant R - Belvedere P - Plymouth C - Chrysler
 B - Barracuda L - Dart W - Coronet D - Dodge Y - Imperial

AR Indicates use as required. Numerals in parentheses () refer to notes. Printed in U.S.A.
 = Indicates parts not listed in any previous parts book. ★ Indicates change or addition. January 1971

14-30-0 CARBURETOR Cont'd.

PART TYPE	COMPONENT CHART REFERENCE NO.	22	23	24	25	26	27	28
CODE	MFG. NO.	R4166A	4617S	4618S	4640S	4619S	4620S	4621S
14-37-9	PLUG, Primary Venturi	-----	-----	-----	-----	3481 078	3481 078	3481 078
14-37-15	RIVET PLUG	-----	3420 404	3420 404	3420 404	3420 404	3420 404	3420 404
	RIVET PLUG	-----	-----	-----	-----	3481 074	3481 155	3481 155
	RIVET PLUG, Idle Port	-----	3481 063	3481 063	3481 063	3481 075	3481 075	3481 075
14-37-21	PLUG, Nozzle Well	-----	-----	-----	-----	3481 076	3481 076	3481 076
14-37-24	PLUG, Idle Limiter Hole	2933 164	-----	-----	-----	-----	-----	-----
14-37-27	LEAD SHOT (.180)	-----	3420 453	3420 453	3420 453	3420 453	3420 453	3420 453
	LEAD SHOT (.200)	-----	3420 454	3420 454	3420 454	3420 454	3420 454	3420 454
	LEAD SHOT	-----	-----	-----	-----	-----	3481 176	3481 176
14-37-29	BALL, Pump Intake Check	-----	3420 470	3420 470	3420 470	3481 100	3481 100	3481 100
14-37-49	PLUG, Spark Port Welsh	-----	-----	-----	-----	3481 080	-----	3481 080
	PLUG, Venturi Welsh	-----	-----	-----	-----	3481 081	-----	3481 081
	PLUG, Piston Housing Welsh	-----	-----	-----	-----	-----	3481 161	3481 161
14-38-3	SCREW, Throttle Body	3420 342	-----	-----	-----	-----	-----	-----
14-38-4	VALVE or PLATE, Primary Throttle	3420 358	3481 062	3481 062	3481 062	3420 398	3420 398	3420 398
	Secondary Throttle	3420 357	3420 397	3420 397	3420 397	3420 397	3420 397	3420 397
	VALVE, Air	-----	3420 403	3420 403	3420 403	-----	-----	-----
14-38-5	SCREW, Throttle Plate or Valve, Primary	3420 261	3420 446	3420 446	3420 446	3420 446	3420 446	3420 466
	Secondary	3420 347	3420 445	3420 445	3420 445	3420 445	3420 445	3420 445
14-38-12	SHAFT, w/Lever and Dog, Primary Throttle	-----	3481 055	3481 055	3481 055	-----	-----	-----
	SHAFT, w/Lever, Primary Throttle	-----	-----	-----	-----	3481 072	3481 153	3481 153
	SHAFT, w/Dog, Secondary Throttle	-----	3420 399	3420 399	3420 399	-----	3481 151	3481 151
	SHAFT, Secondary Throttle	-----	-----	-----	-----	3481 070	-----	-----
	SHAFT, w/Valve and Weight, Auxiliary Throttle	-----	-----	-----	-----	3481 071	3481 152	3481 152
	SHAFT, Air Valve	-----	3420 407	3420 407	3420 407	-----	-----	-----
14-38-13	ARM, Primary Throttle Shaft, Inner	-----	3420 460	3420 460	3420 460	3481 097	3481 097	3481 097
	Outer	-----	3420 458	3420 458	3420 458	3481 096	3481 096	3481 096
	ARM, w/Collar, Lockout	-----	-----	-----	-----	-----	3481 163	3481 163
14-38-14	DOG, Throttle Shaft	-----	3420 401	3420 401	3420 401	3481 073	3481 073	3481 073
	DOG, Lockout	-----	3420 421	3420 421	3420 421	-----	-----	-----
14-38-20	SPRING, Throttle Lever	-----	3420 429	3420 429	3420 429	3420 429	3420 429	3420 429
14-38-27	BEARING, Air Valve Shaft, to Adjust Spring Tension	-----	3420 483	3420 483	3420 483	-----	-----	-----
	BEARING, Air Valve Shaft	-----	3420 484	3420 484	3420 484	-----	-----	-----
14-38-28	ROD, Throttle Connector	3420 384	3420 462	3420 462	3420 462	3420 462	3420 462	3420 462
14-38-36	RETAINER, Throttle Connector Rod	3420 386	-----	-----	-----	-----	-----	-----
14-38-50	ROD, Throttle Operating	-----	3420 461	3420 461	3420 461	3420 461	3420 461	3420 461
14-38-53	LEVER, Secondary Throttle Operating	-----	3420 420	3420 420	3420 420	3481 083	3481 083	3481 083
14-39-1	VALVE or PLATE, Choke	3420 336	3420 402	3420 402	3420 402	-----	3481 154	3481 154
14-39-6	SHAFT, w/Lever, Choke	-----	3420 457	3420 457	3420 457	-----	3481 189	3481 189
	SHAFT, w/Lever, Piston Housing Choke	-----	-----	-----	-----	-----	3481 159	3481 159
14-39-7	DIAPHRAGM, Choke	3419 515	2933 196	2933 196	2933 196	-----	-----	-----
14-39-9	SCREW, Choke Diaphragm Bracket	3420 339	3420 447	3420 447	3420 447	-----	-----	-----
14-39-10	LEVER, Choke	-----	3420 411	3420 411	3420 411	-----	-----	-----
	LEVER, Choke Shaft	3420 337	3420 409	3420 409	3420 409	-----	-----	-----
	LEVER, Outside Choke Shaft	-----	-----	-----	-----	-----	3481 156	3481 156
	Inside Choke Shaft	-----	-----	-----	-----	-----	3481 157	3481 157
14-39-11	PIN, Choke Diaphragm	3420 369	-----	-----	-----	-----	-----	-----

TYPE LETTERS Indicates

B - Barracuda

V - Valiant
L - DartR - Belvedere
W - CoronetP - Plymouth
D - DodgeC - Chrysler
Y - Imperial

AR Indicates use as required.

= Indicates parts not listed in any previous parts book.

Numerals in parentheses () refer to notes.

★ Indicates change or addition.

Printed in U.S.A.
January 1971

14-30-0 CARBURETOR Cont'd.

PART TYPE	COMPONENT CHART REFERENCE NO.	22	23	24	25	26	27	28
CODE	MFG. NO.	R4166A	4617S	4618S	4640S	4619S	4620S	4621S
14-39-15	SCREW, Choke Shaft Lever	-----	3420 437	3420 437	3420 437	-----	3420 437	3420 437
	SCREW, Countershaft Lever	-----	3420 442	3420 442	3420 442	-----	-----	-----
14-39-27	RETAINER, Choke Diaphragm Connector Rod	-----	3420 443	3420 443	3420 443	-----	-----	-----
14-39-28	ROD, Choke Connector	3420 383	-----	-----	-----	-----	3481 178	3481 178
	ROD, Choke Diaphragm Connector	-----	3420 463	3420 463	3420 463	-----	-----	-----
14-39-29	SEAL, Choke Rod	3420 301	-----	-----	-----	-----	-----	-----
14-39-30	SHAFT, Choke	3420 311	3420 408	3420 408	3420 408	-----	-----	-----
14-39-31	WASHER, Choke Diaphragm Connector Rod	-----	3420 471	3420 471	3420 471	-----	-----	-----
14-39-45	CHOKE	2843 156	2863 845	2863 845	2863 845	-----	1826 847	1826 847
14-39-47	RETAINER, Choke Housing	-----	-----	-----	-----	-----	3481 171	3481 171
14-39-50	PLATE, Choke Baffle	-----	-----	-----	-----	-----	3481 188	3481 188
14-39-51	HOSE, Choke Diaphragm	3419 687	3420 475	3420 475	3420 475	-----	-----	-----
14-39-52	RING, Choke Delayer Plate Retainer	-----	-----	-----	-----	-----	3481 170	3481 170
		-----	-----	-----	-----	-----	3481 184	3481 184
14-39-54	PISTON, Choke	-----	-----	-----	-----	-----	-----	-----
14-39-56	PIN, Choke Clevis	3420 368	-----	-----	-----	-----	-----	-----
	PIN SPRING, Choke	-----	3420 476	3420 476	3420 476	-----	-----	-----
	PIN, Choke Piston	-----	-----	-----	-----	-----	3481 183	3481 183
14-39-57	PIN SPRING, Choke Diaphragm Connector Rod	-----	3420 477	3420 477	3420 477	-----	-----	-----
14-39-58	HOUSING, w/Plug, Choke Piston	-----	-----	-----	-----	-----	3481 185	3481 185
14-39-60	SCREW, Thermostatic Valve	-----	-----	-----	3481 052	-----	-----	-----
	SCREW, Piston Housing	-----	-----	-----	-----	-----	3481 173	3481 173
	SCREW, Coil Housing	-----	-----	-----	-----	-----	3481 172	3481 172
14-39-68	LEVER, w/Link and Pin, Choke Piston	-----	-----	-----	-----	-----	3481 158	3481 158
14-39-84	CAP, Choke Heat Tube	-----	-----	-----	-----	-----	3841 187	3481 187
14-40-1	FLOAT, w/Lever	3420 364	3420 415	3420 415	3420 415	3481 079	3481 079	3481 079
14-40-4	PIN, Float Lever	-----	3420 416	3420 416	3420 416	3420 416	3420 416	3420 416
14-40-5	RETAINER, Float	3419 673	-----	-----	-----	-----	-----	-----
14-40-7	BOWL, w/Plugs, Fuel, Primary	3420 372	-----	-----	-----	-----	-----	-----
	Secondary	3420 473	-----	-----	-----	-----	-----	-----
14-40-18	SPRING, Float	3420 317	-----	-----	-----	-----	-----	-----
14-40-23	ARM, Bowl Vent	-----	3420 419	3420 419	3420 419	-----	-----	-----
	LEVER, Bowl Vent	-----	-----	-----	-----	3418 164	3418 164	3418 164
14-40-35	BAFFLE, Float Bowl	-----	3420 482	3420 482	3420 482	3420 482	3420 482	3420 482
14-41-3	PLUNGER or DIAPHRAGM, w/Rod, Pump	2196 234	2933 193	2933 193	2933 193	1826 369	1826 369	1826 369
14-41-8	LINK, Pump Connector	-----	3420 465	3420 465	3420 465	3420 465	3420 465	3420 465
14-41-9	ARM, Pump	-----	3420 456	3420 456	3420 456	3420 456	3420 456	3420 456
14-41-10	CAM, Pump	3420 321	-----	-----	-----	-----	-----	-----
14-41-22	LEVER, Pump Operating	3420 390	-----	-----	-----	-----	-----	-----
14-41-23	RETAINER, Pump Operating Lever	2808 059	-----	-----	-----	-----	-----	-----
14-41-25	FITTING, Pump Lever Adjusting Screw	3420 365	-----	-----	-----	-----	-----	-----
14-41-30	NEEDLE, Pump Discharge Check	-----	3420 412	3420 412	3420 412	3420 412	3420 412	3420 412
14-41-34	COVER, Pump	3420 306	-----	-----	-----	-----	-----	-----
14-41-35	SCREW, Pump Cover	3420 259	-----	-----	-----	-----	-----	-----
	SCREW, Secondary Diaphragm Cover	3420 259	-----	-----	-----	-----	-----	-----
14-43-3	PISTON, Step-Up	-----	3420 478	3420 478	3420 478	3420 478	3420 478	3420 478

TYPE LETTERS Indicates V - Valiant R - Belvedere P - Plymouth C - Chrysler
 B - Barracuda L - Dart W - Coronet D - Dodge Y - Imperial

AR Indicates use as required. Numerals in parentheses () refer to notes. Printed in U.S.A.
 = Indicates parts not listed in any previous parts book. ★ Indicates change or addition. January 1971

1969 PASSENGER CAR PARTS CATALOG

FUEL

14-30-0 CARBURETOR Cont'd.

PART TYPE	COMPONENT CHART REFERENCE NO.	22	23	24	25	26	27	28
CODE	MFG. NO.	R4166A	4617S	4618S	4640S	4619S	4620S	4621S
14-43-4	PLATE, Step-Up Piston Cover (Opposite Pump) Pump Side	-----	3420 434 3420 435	3420 434 3420 435	3420 434 3420 435	-----	-----	-----
	PLATE, Step-Up Piston Cover	-----	-----	-----	-----	3481 090	3481 090	3481 090
14-43-5	ROD, Step-Up (Opposite Pump) (Pump Side)	-----	2585 404	2933 018	2933 018	3419 588	-----	-----
		-----	-----	-----	-----	-----	3419 504	3419 504
14-43-10	SPRING, Step-Up Rod Retaining	-----	-----	-----	-----	-----	2933 022	2933 022
14-44-10	TUBE, Balance	3420 361	3420 427	3420 427	3420 427	3420 427	3420 427	3420 427
14-44-11	WASHER, Balance Tube	3420 385	-----	-----	-----	-----	-----	-----
14-44-12	"O" RING, Balance Tube	3420 367	-----	-----	-----	-----	-----	-----
14-45-1	NEEDLE, Idle Adjusting	3420 362	-----	-----	-----	-----	-----	-----
14-45-3	LEVER, Fast Idle Cam	3420 338	-----	-----	-----	-----	-----	-----
14-45-4	CAM, Fast Idle	3420 381	3420 481	3420 481	3420 481	-----	-----	-----
14-45-5	ROD, Fast Idle Connector	-----	3420 464	3420 464	3420 464	-----	3481 186	3481 186
14-45-8	SCREW, Fast Idle Cam	3420 344	3420 441	3420 441	3420 441	-----	3481 179	3481 179
14-45-11	SPRING, Idle Mixture Screw	-----	-----	-----	-----	-----	3420 441	3420 441
14-45-20	SCREW, Idle Air	-----	3420 417	3420 417	3420 417	-----	3481 169	3481 169
	SCREW, Idle Mixture Lock	-----	-----	-----	-----	-----	-----	-----
14-45-25	SCREW, Fast Idle Speed	-----	3420 439	3420 439	3420 439	-----	3481 174	3481 174
	SCREW, Idle Speed	-----	3420 449	3420 449	3420 449	-----	3481 175	3481 175
14-45-27	WASHER, Idle Speed Screw	-----	3420 473	3420 473	3420 473	3420 449	3420 449	3420 449
14-46-1	VALVE, Air Vent	3419 669	-----	-----	-----	3420 473	3420 473	3420 473
14-46-3	PLATE, Secondary Metering Body	3420 370	-----	-----	-----	-----	-----	-----
14-46-4	RETAINER, "E" Ring	3420 375	-----	-----	-----	-----	-----	-----
14-46-5	ROD, Air Vent	3420 382	-----	-----	-----	-----	-----	-----
14-46-6	CLAMP, Air Vent Rod	3420 387	-----	-----	-----	-----	-----	-----
14-46-7	BAFFLE, Metering Body Vent	3420 388	-----	-----	-----	-----	-----	-----
14-48-2	VALVE, Thermostatic	-----	-----	-----	2933 165	-----	-----	-----
14-50-8	NUT, Dashpot Lock	-----	3420 455	-----	-----	-----	3420 455	-----
14-50-13	BRACKET, Dashpot	-----	2933 141	-----	-----	-----	3419 505	-----
14-50-25	DASHPOT	-----	3419 501	-----	-----	-----	3419 501	-----
14-50-29	LEVER, Dashpot	-----	3420 459	-----	-----	-----	3481 177	-----
14-54-3	SCREW, Throttle Stop	3420 256	-----	-----	-----	-----	-----	-----
14-54-5	SCREW, Throttle Shaft Lever	-----	3420 438	3420 438	3420 438	3420 438	3420 438	3420 438
14-54-6	WASHER, Primary Throttle Shaft	-----	-----	3481 051	3481 051	3481 051	-----	3481 051
	WASHER, Secondary Throttle Shaft	-----	3420 472	3420 472	3420 472	3420 472	3420 472	3420 472
	SPACER, Secondary Throttle Shaft	-----	-----	-----	-----	3481 095	-----	3481 095
14-54-16	SCREW, Choke Plate or Valve	3420 255	3420 450	3420 450	3420 450	-----	3420 450	3420 450
	SCREW, Air Valve	-----	3420 450	3420 450	3420 450	-----	-----	-----
14-54-36	SCREW, Air Vent Clamp	3420 340	-----	-----	-----	-----	-----	-----
14-54-43	SCREW, Pump Lever Adjusting	3420 345	-----	-----	-----	-----	-----	-----
14-54-47	SCREW, Pump Arm	-----	3420 452	3420 452	3420 452	3481 093	3420 452	3420 452
14-54-50	SCREW, Pump Cam Lock	3420 265	-----	-----	-----	-----	-----	-----
14-54-51	WASHER, Choke Lever Retainer	-----	3420 474	3420 474	3420 474	-----	3481 182	3481 182
14-54-72	SCREW, Air Horn	-----	3420 443	3420 443	3420 443	3420 443	3420 443	3420 443
	SCREW, Air Horn	-----	-----	-----	-----	3481 091	3481 091	3481 091
	SCREW, Air Horn	-----	-----	-----	-----	3481 094	3481 094	3481 094

TYPE LETTERS Indicates

B - Barracuda

V - Valiant
L - DartR - Belvedere
W - CoronetP - Plymouth
D - DodgeC - Chrysler
Y - Imperial

AR Indicates use as required.

= Indicates parts not listed in any previous parts book.

Numerals in parentheses () refer to notes.

★ Indicates change or addition.

Printed in U.S.A.
January 1971

14-30-0 CARBURETOR Cont'd.

PART TYPE	COMPONENT CHART REFERENCE NO.	22	23	24	25	26	27	28
CODE	MFG. NO.	R4166A	4617S	4640S	4640S	4619S	4620S	4621S
14-54-78	SCREW, Fuel Bowl	3420 341	-----	-----	-----	-----	-----	-----
	SCREW, Secondary Fuel Bowl	3420 348	-----	-----	-----	-----	-----	-----
14-54-140	SCREW, Dashpot Bracket	-----	3420 444	-----	-----	-----	3420 444	-----
14-54-148	SCREW, Step-Up Piston Cover Plate	-----	3420 451	3420 451	3420 451	3420 451	3420 451	3420 451
	SCREW, Air Valve Retainer	-----	3420 451	3420 451	3420 451	-----	-----	-----
PART TYPE	COMPONENT CHART REFERENCE NO.	29	30	31	32	33	34	-----
CODE	MFG. NO.	4682S	4711S	R4440A	4609S	4610S	4774S	-----
14-30-2	GASKET, Flange	2951 602	2951 602	2951 602	2468 818	2468 818	2264 193	-----
14-30-3	VENTURI, Primary, Pump Side	3481 060	3481 058	-----	-----	-----	-----	-----
	Opposite Pump	3481 059	3481 057	-----	-----	-----	-----	-----
14-30-4	ZIP KIT	2933 198	2933 198	-----	2933 104	2933 104	2933 038	-----
	MINOR REPAIR KIT	-----	-----	2933 167	-----	-----	-----	-----
14-30-7	GASKET KIT	2933 197	2933 197	2933 166	2808 023	2808 023	2933 091	-----
14-30-8	NEEDLE, w/Seat, Float	2933 106	2933 106	2809 335	2933 042	2933 042	2933 042	-----
14-30-16	PLATE, Fuel Bowl Baffle	-----	-----	3420 324	-----	-----	-----	-----
14-30-27	STRAINER, Fuel Inlet	1826 864	1826 864	-----	-----	-----	-----	-----
14-30-28	NUT, Strainer	1826 863	1826 863	-----	-----	-----	-----	-----
14-30-29	GASKET, Strainer Nut	3420 413	3420 413	-----	-----	-----	-----	-----
14-30-30	FITTING, Fuel Inlet	-----	-----	2809 248	-----	-----	-----	-----
14-30-31	BAFFLE, Fuel Inlet	-----	-----	3420 389	-----	-----	-----	-----
14-32-15	SCREW, Venturi	3420 448	3420 448	-----	-----	-----	-----	-----
14-33-1	BODY, w/Shaft, Throttle	-----	-----	3420 359	-----	-----	-----	-----
14-34-3	GASKET, Fuel Bowl	-----	-----	3514 850	-----	-----	-----	-----
14-34-5	GASKET, Body	-----	-----	-----	1631 520	1631 520	3481 319	-----
14-34-10	GASKET, Secondary Metering Body	-----	-----	3514 851	-----	-----	-----	-----
14-34-15	GASKET, Power Valve	-----	-----	3420 351	-----	-----	-----	-----
14-34-17	GASKET, Secondary Diaphragm Housing	-----	-----	3420 350	-----	-----	-----	-----
14-34-63	SEAL, Venturi Vent	3420 479	3420 479	-----	-----	-----	-----	-----
	GROMMET SEAL	3420 480	3420 480	-----	-----	-----	3481 331	-----
14-35-1	JET, Main Metering	-----	-----	2196 240	2585 408	2585 408	2585 410	-----
	Primary	2809 254	2809 254	-----	-----	-----	-----	-----
	Secondary	2933 023	2933 023	-----	-----	-----	-----	-----
14-35-3	JET, Pump	3420 418	3420 418	-----	-----	-----	-----	-----
	NOZZLE, Pump Discharge	-----	-----	3420 366	-----	-----	-----	-----
14-35-6	VALVE, Pump Discharge Needle	-----	-----	3420 296	-----	-----	-----	-----
	VALVE, Power	-----	-----	2084 715	-----	-----	-----	-----
14-35-9	DIAPHRAGM, Secondary	-----	-----	2809 252	-----	-----	-----	-----
14-35-10	SCREW, Pump Jet	3420 440	3420 440	-----	-----	-----	-----	-----
14-35-18	SCREW, Secondary Diaphragm Housing	-----	-----	3420 343	-----	-----	-----	-----
14-35-19	SCREW, Pump Discharge Nozzle	-----	-----	3420 346	-----	-----	-----	-----
14-35-25	HOUSING, Diaphragm	-----	-----	3420 392	-----	-----	-----	-----
14-35-26	LEVER, Diaphragm	-----	-----	3420 391	-----	-----	-----	-----
14-35-38	SPRING, Vacuum Piston	3420 428	3420 428	-----	-----	-----	-----	-----
14-35-39	BODY, w/Plugs, Primary Metering	-----	-----	3420 374	-----	-----	-----	-----
	BODY, Secondary Metering	-----	-----	3420 371	-----	-----	-----	-----
14-35-42	COVER, Venturi	-----	-----	-----	3481 290	3481 290	3481 318	-----
14-35-43	SCREW, Secondary Metering Body	-----	-----	3420 349	-----	-----	-----	-----

TYPE LETTERS Indicates

B - Barracuda

V - Valiant
L - Dart

R - Belvedere
W - Coronet

P - Plymouth
D - Dodge

C - Chrysler
Y - Imperial

AR Indicates use as required.
= Indicates parts not listed in any previous parts book.

Numerals in parentheses () refer to notes.
★ Indicates change or addition.

Printed in U.S.A.
January 1971

1969 PASSENGER CAR PARTS CATALOG

FUEL

14-30-0 CARBURETOR Cont'd.

PART TYPE	COMPONENT CHART REFERENCE NO.	29	30	31	32	33	34
CODE	MFG. NO.	4682S	4711S	R4440A	4609S	4610S	4774S
14-36-1	SPRING, Pump Lever Adjusting Screw	-----	-----	3420 378	-----	-----	-----
	SPRING, Idle Speed Screw	3420 425	3420 425	-----	3481 205	3481 205	3481 205
	SPRING, Idle Air Screw	3420 426	3420 426	-----	-----	-----	-----
	SPRING, Fast Idle Speed Screw	-----	-----	-----	3481 276	3481 276	3481 335
14-36-2	SPRING, Step-Up Piston	-----	-----	-----	3481 234	3481 234	3481 248
14-36-15	SPRING, Pump	3420 424	3420 424	-----	3481 207	3481 207	3481 313
14-36-22	SPRING, Secondary Throttle Return	3420 432	3420 432	-----	-----	-----	-----
14-36-29	SPRING, Idle Needle SPRING, Throttle Stop Screw	-----	-----	3420 380	-----	-----	-----
		-----	-----	3419 675	-----	-----	-----
14-36-50	SPRING, Air Valve	3420 430	3420 430	-----	-----	-----	-----
	SPRING, Bowl Vent Arm	3420 431	3420 431	-----	-----	-----	-----
	SPRING, Air Vent Valve	-----	-----	3420 377	-----	-----	-----
14-36-53	SPRING, Diaphragm Return SPRING, Secondary Diaphragm Return	-----	-----	3420 376	-----	-----	-----
		-----	-----	3420 379	-----	-----	-----
14-37-4	PLUG, Passage	3420 405	3420 405	-----	-----	-----	-----
14-37-15	RIVET PLUG	3420 404	3420 404	-----	-----	-----	-----
	RIVET PLUG, Idle Port	3420 406	3420 406	-----	-----	-----	-----
14-37-24	PLUG, Idle Limiter Hole	-----	-----	2933 164	-----	-----	-----
14-37-27	LEAD SHOT (.180)	3420 453	-----	-----	-----	-----	3420 453
	LEAD SHOT (.200)	3420 454	-----	-----	3420 454	3420 454	-----
	LEAD SHOT	-----	-----	-----	3481 284	3481 284	3481 284
14-37-29	BALL, Pump Intake Check	3420 470	3420 470	-----	3481 289	3481 289	-----
14-37-30	BALL, Pump Discharge Check	-----	-----	-----	3481 220	3481 220	3481 220
14-38-3	SCREW, Throttle Body	-----	-----	3420 342	-----	-----	-----
14-38-4	VALVE, Throttle Primary	3420 398	3420 398	3420 358	3481 305	3481 305	3481 307
	Secondary	3420 397	3420 397	3420 357	-----	-----	-----
	VALVE, Air	3420 403	3420 403	-----	-----	-----	-----
14-38-5	SCREW, Throttle Valve Primary Valve	3420 446	3420 446	3420 261	3420 445	3420 445	3420 445
	Secondary Valve	3420 445	3420 445	3420 347	-----	-----	-----
14-38-12	SHAFT, w/Lever, Throttle SHAFT, w/Lever and Dog, Primary Throttle	3481 055	3481 055	-----	3481 301	3481 304	3481 308
	SHAFT, w/Dog, Secondary Throttle	3420 399	3420 399	-----	-----	-----	-----
	SHAFT, Air Valve	3420 407	3420 407	-----	-----	-----	-----
14-38-13	ARM, Primary Throttle Shaft, Inner	3420 460	3420 460	-----	-----	-----	-----
	Outer	3420 458	3420 458	-----	-----	-----	-----
14-38-14	DOG, Throttle Shaft	3420 401	3420 401	-----	-----	-----	-----
	DOG, Lockout	3420 421	3420 421	-----	-----	-----	-----
14-38-20	SPRING, Throttle Lever	3420 429	3420 429	-----	-----	-----	-----
14-38-27	BEARING, Air Valve Shaft (to Adjust Spring Tension)	3420 483	3420 483	-----	-----	-----	-----
	BEARING, Air Valve Shaft	3420 484	3420 484	-----	-----	-----	-----
14-38-28	ROD, Throttle Connector	3420 462	3420 462	3420 384	3481 286	3481 299	3481 316
14-38-36	RETAINER, Throttle Connector Rod	-----	-----	3420 386	-----	-----	-----
14-38-50	ROD, Throttle Operating	3420 461	3420 461	-----	-----	-----	-----
14-38-53	LEVER, Secondary Throttle Operating	3420 420	3420 420	-----	-----	-----	-----

TYPE LETTERS Indicates

B - Barracuda

V - Valiant
L - DartR - Belvedere
W - CoronetP - Plymouth
D - DodgeC - Chrysler
Y - Imperial

AR Indicates use as required.

= Indicates parts not listed in any previous parts book.

Numerals in parentheses () refer to notes.

★ Indicates change or addition.

Printed in U.S.A.
January 1971

14-30-0 CARBURETOR Cont'd.

FART TYPE	COMPONENT CHART REFERENCE NO.	29	30	31	32	33	34	
CODE	MFG. NO.	4682S	4711S	R4440A	4609S	4610S	4774S	
14-39-1	VALVE or PLATE, Choke VALVE, Countershaft Lever to Choke	3420 402	3420 402	3420 336	3481 271	3481 271	3481 309	-----
		3420 410	3420 410	-----	-----	-----	-----	-----
14-39-6	SHAFT, w/Lever, Choke	3420 457	3420 457	-----	3481 272	3481 272	3481 310	-----
14-39-7	DIAPHRAGM, Choke	2933 199	2933 196	3419 620	2933 185	2933 185	2933 190	-----
14-39-8	LINK, Choke Valve	3420 466	-----	-----	-----	-----	-----	-----
14-39-9	SCREW, Choke Diaphragm Bracket	3420 447	3420 447	3420 339	3420 447	3420 447	3420 447	-----
14-39-10	LEVER, Choke Shaft LEVER, Choke Loose	3420 409 3420 411	3420 409 3420 411	3420 337	3481 273	3481 273	3481 273	-----
14-39-11	PIN, Choke Diaphragm	-----	-----	3420 369	-----	-----	-----	-----
14-39-15	SCREW, Choke Shaft Lever SCREW, Countershaft Lever	3420 437 3420 442	3420 437 3420 442	-----	-----	-----	-----	-----
14-39-27	RETAINER, Choke Diaphragm Connector Rod	3420 433	3420 433	-----	3420 433	3420 433	-----	-----
14-39-28	ROD, Choke Diaphragm Connector	3420 463	3420 463	-----	3481 287	3481 287	3481 317	-----
	ROD, Choke Connector	-----	-----	3420 383	3481 288	3481 288	-----	-----
14-39-29	SEAL, Choke Rod	-----	-----	3420 301	-----	-----	-----	-----
14-39-30	SHAFT, Choke	3420 408	3420 408	3420 311	-----	-----	-----	-----
14-39-31	WASHER, Diaphragm Connector Rod	3420 471	3420 471	-----	-----	-----	-----	-----
	SPACER, Choke Connector Rod	-----	-----	-----	3481 285	3481 285	-----	-----
14-39-45	CHOKE	2863 845	2863 845	2843 156	-----	2863 843	2946 526	-----
14-39-51	HOSE, Choke Diaphragm	3420 475	3420 475	3419 687	3481 294	3481 294	3481 294	-----
14-39-56	PIN SPRING, Choke	-----	3420 476	3420 368	3420 376	3420 376	3420 476	-----
14-39-57	PIN SPRING, Choke Diaphragm Connector Rod	3420 477	3420 477	-----	3420 477	3420 477	3420 477	-----
14-40-1	FLOAT, w/Lever	3481 056	3481 068	3420 364	3481 274	3481 274	3481 311	-----
14-40-4	PIN, Float Lever	3420 416	3420 416	3419 673	3481 201	3481 201	3481 201	-----
14-40-5	RETAINER, Float Lever Pin	-----	-----	-----	3481 277	3481 277	3481 277	-----
14-40-7	BOWL, w/Plugs, Fuel Primary	-----	-----	3420 372	-----	-----	-----	-----
	BOWL, Secondary	-----	-----	3420 373	-----	-----	-----	-----
14-40-18	SPRING, Float	-----	-----	3420 317	-----	-----	-----	-----
14-40-23	ARM, Bowl Vent	3420 419	3420 419	-----	-----	-----	-----	-----
14-40-35	BAFFLE, Fuel Bowl	3420 482	3420 482	-----	-----	-----	-----	-----
14-41-3	PLUNGER or DIAPHRAGM, w/Rod, Pump	2933 193	2933 193	2196 234	2933 001	2933 001	1826 607	-----
14-41-8	LINK, Pump Connector	3420 465	3420 465	-----	-----	-----	-----	-----
14-41-9	ARM, Pump	3420 456	3420 456	-----	3481 275	3481 275	3481 312	-----
14-41-10	CAM, Pump	-----	-----	3420 321	-----	-----	-----	-----
14-41-13	RETAINER, Pump Plunger	-----	-----	-----	3481 278	3481 278	-----	-----
14-41-22	LEVER, Pump Operating	-----	-----	3420 390	-----	-----	-----	-----
14-41-23	RETAINER, Pump Operating Lever	-----	-----	2808 059	-----	-----	-----	-----
14-41-25	FITTING, Pump Lever Adjusting Screw	-----	-----	3420 365	-----	-----	-----	-----
14-41-30	NEEDLE, Pump Discharge Check	3420 412	3420 412	-----	-----	-----	-----	-----
14-43-3	PISTON, Step-Up	3420 478	3420 478	-----	3481 295	3481 295	3481 323	-----
14-43-4	PLATE, Step-Up Piston Cover (Opposite Pump) (Pump Side)	3420 434 3420 435	3420 434 3420 435	-----	-----	-----	-----	-----
14-43-5	ROD, Step-Up	2240 473	2240 466	-----	2585 417	2585 419	3419 591	-----
14-43-10	SPRING, Step-Up Rod Retaining	3420 427	3420 427	-----	-----	-----	-----	-----
14-44-10	TUBE, Balance	-----	-----	3420 361	-----	-----	-----	-----
14-44-11	WASHER, Balance Tube	-----	-----	3420 385	-----	-----	-----	-----

TYPE LETTERS Indicates

B - Barracuda

V - Valiant
L - Dart

R - Belvedere
W - Coronet

P - Plymouth
D - Dodge

C - Chrysler
Y - Imperial

AR Indicates use as required.

= Indicates parts not listed in any previous parts book.

Numerals in parentheses () refer to notes.

★ Indicates change or addition.

Printed in U.S.A.
January 1971

14-30-0 CARBURETOR Cont'd.

PART TYPE	COMPONENT CHART REFERENCE NO.	29	30	31	32	33	34	
CODE	MFG. NO.	4682S	4711S	R4440A	4609S	4610S	4774S	
14-44-12	"O" RING, Balance Tube	-----	-----	3420 367	-----	-----	-----	-----
14-45-1	NEEDLE, Idle Limiter	-----	-----	3420 463	-----	-----	-----	-----
	NEEDLE, Idle Adjusting	-----	-----	3420 362	-----	-----	-----	-----
14-45-3	LEVER, Fast Idle Cam	-----	-----	3420 338	-----	-----	-----	-----
14-45-4	CAM, Fast Idle	3481 061	3481 069	3420 381	3481 296	3481 300	3481 324	-----
14-45-5	ROD, Fast Idle Connector	3420 464	3420 464	-----	-----	-----	3481 329	-----
14-45-8	SCREW, Fast Idle Cam	3420 441	3420 441	3420 344	3481 282	3481 282	-----	-----
14-45-12	LIMITER, Idle Screw	-----	-----	-----	3420 436	3420 436	3420 436	-----
14-45-14	CAP, Idle Limiter	-----	-----	3420 393	-----	-----	-----	-----
14-45-20	SCREW, Idle Air	3420 417	3420 417	-----	-----	-----	-----	-----
14-45-25	SCREW, Fast Idle Speed	3420 439	3420 439	-----	3481 215	3481 215	3481 215	-----
	SCREW, Idle Speed	3420 449	3420 449	-----	3481 281	3481 281	3481 210	-----
14-45-27	WASHER, Idle Speed Screw	3420 473	3420 473	-----	-----	-----	-----	-----
14-46-1	VALVE, Air Vent	-----	-----	3419 669	-----	-----	-----	-----
14-46-3	PLATE, Secondary Metering Body	-----	-----	3420 370	-----	-----	-----	-----
14-46-4	RETAINER, "E" Ring	-----	-----	3420 375	-----	-----	-----	-----
14-46-5	ROD, Air Vent	-----	-----	3420 382	-----	-----	-----	-----
14-46-6	CLAMP, Air Vent Rod	-----	-----	3420 387	-----	-----	-----	-----
14-46-7	BAFFLE, Metering Body Vent	-----	-----	3420 388	-----	-----	-----	-----
14-48-2	VALVE, Thermostatic	-----	2933 165	-----	-----	-----	-----	-----
14-50-8	NUT, Dashpot Lock	-----	3420 455	-----	3420 455	-----	-----	-----
14-50-15	BRACKET, Dashpot	-----	2933 141	-----	2933 186	-----	-----	-----
14-50-25	DASHPOT	-----	3419 501	-----	2808 101	-----	-----	-----
14-50-29	LEVER, Dashpot	-----	3420 459	-----	-----	-----	-----	-----
14-54-3	SCREW, Throttle Stop	-----	-----	3420 256	-----	-----	-----	-----
14-54-5	SCREW, Throttle Shaft Lever	3420 438	3420 438	-----	-----	-----	-----	-----
14-54-6	WASHER, Primary Throttle Shaft	3481 051	-----	-----	-----	-----	-----	-----
	WASHER, Secondary Throttle Shaft	3420 472	3420 472	-----	-----	-----	-----	-----
14-54-15	SCREW, Choke Valve	3420 450	3420 450	3420 255	3420 450	3420 450	3420 450	-----
	SCREW, Air Valve	3420 450	3420 450	-----	-----	-----	-----	-----
14-54-34	SCREW, Bowl Cover	-----	-----	-----	3481 211	3481 211	-----	-----
14-54-36	SCREW, Air Vent Rod Clamp	-----	-----	3420 340	-----	-----	-----	-----
14-54-42	WASHER, Pump Plunger	-----	-----	-----	3481 224	3481 224	-----	-----
14-54-43	SCREW, Pump Lever Adjusting	-----	-----	3420 345	-----	-----	-----	-----
14-54-47	SCREW, Pump Arm	3420 452	3420 452	-----	3481 279	3481 279	3481 279	-----
14-54-50	SCREW, Pump Cam Lock	-----	-----	3420 265	-----	-----	-----	-----
14-54-51	WASHER, Choke Lever Retainer	3420 474	3420 474	-----	-----	-----	-----	-----
14-54-72	SCREW, Air Horn	3420 443	3420 443	-----	-----	-----	3481 211	-----
14-54-78	SCREW, Fuel Bowl	-----	-----	3420 341	-----	-----	-----	-----
	SCREW, Secondary Fuel Bowl	-----	-----	3420 348	-----	-----	-----	-----
	SCREW, Body Flange	-----	-----	-----	-----	3481 280	3420 443	-----
14-54-140	SCREW, Dashpot Bracket	-----	3420 444	-----	3420 443	-----	-----	-----
14-54-148	SCREW, Step-Up Piston Cover Plate	3420 451	3420 451	-----	-----	-----	-----	-----
	SCREW, Step-Up Piston Plate	-----	-----	-----	3481 214	3481 214	3481 315	-----

TYPE LETTERS Indicates

B - Barracuda

V - Valiant
L - DartR - Belvedere
W - CoronetP - Plymouth
D - DodgeC - Chrysler
Y - Imperial

AR Indicates use as required.

= Indicates parts not listed in any previous parts book.

Numerals in parentheses () refer to notes.

★ Indicates change or addition.

Printed in U.S.A.

January 1971

CODE	PART NAME	ENG. TYPE OR CU.IN.	V	B	L	R	W	P	D	C	C	C	Y	PART NUMBER
			1-2	1-2	1-2	1-2	1-2	1-2	1-2	1	2	3	1	

14-65-0 AUTOMATIC CHOKE TO CARBURETOR ROD CLIP

14-65-4	CLIP, Stamped D-R	Rt.	1	1	1	1	1	1	1	1	1	1	1	2465 560
	Stamped D-L	Lt.	1	1	1	1	1	1	1	1	1	1	1	2465 561
	D1,	Canada only	—	—	—	—	—	—	1	—	—	—	—	2465 560

14-67-0 FUEL FILTER

14-67-1	FILTER		1	1	1	1	1	1	1	1	1	1	1	2525 254
14-67-2	HOSE, Filter		AR	AR	AR	AR	AR	AR	AR	AR	AR	AR	AR	1739 230
14-67-10	FILTER PACKAGE		1	1	1	1	1	1	1	1	1	1	1	2084 467

14-68-0 GOVERNOR

NOTE: To insure against delays in shipment of governors, DO NOT send orders to Chrysler Corporation. Send orders direct to Handy Division of the King-Seeley Corporation, Ann Arbor, Michigan, U.S.A.

14-68-3	GASKET, Governor	6	—	—	—	1	1	1	—	—	—	—	—	2946 182
14-68-5	CONNECTOR, Vac. Cont. Tube	6	—	—	—	1	1	1	—	—	—	—	—	2206 146
14-68-8	SPACER, Carburetor to Governor	6	—	—	—	1	1	1	—	—	—	—	—	2536 154

14-72-0 FUEL TANK GAUGE

14-72-1	GAUGE		1	1	1	—	—	—	—	—	—	—	—	2932 960
	Except 426, 440 Eng. and Sta. Wgn.		—	—	—	1	1	—	—	—	—	—	—	2932 961
	w/426, 440 Eng., except Sta. Wgn.		—	—	—	1	1	—	—	—	—	—	—	2932 962
	Sta. Wgn.		—	—	—	1	1	—	—	—	—	—	—	2932 963
	Except Sta. Wgn.		—	—	—	—	1	1	1	1	1	1	—	2932 964
	Sta. Wgn.		—	—	—	—	1	1	1	—	—	—	—	2932 966
			—	—	—	—	—	—	—	—	—	—	1	2932 965
14-72-5	CLIP, Gauge Grounding		1	1	1	1	1	1	1	1	1	1	1	2258 862
14-72-9	SEAL, Gauge		1	1	1	1	1	1	1	1	1	1	1	1948 757
14-72-33	CABLE, w/TERMINAL and INSULATOR, Gauge		1	1	1	1	1	1	1	1	1	1	1	2257 444
14-72-47	RETAINER, Gauge		1	1	1	1	1	1	1	1	1	1	1	1730 095

14-73-0 FUEL PUMP

14-73-1	PUMP PACKAGE, w/170 or 225 Eng.	6	1	1	1	1	1	1	—	—	—	—	—	2932 798
	w/225 Eng.	6	—	—	—	—	—	—	1	—	—	—	—	2932 798
	Canada only		—	—	—	—	—	—	—	—	—	—	—	
	w/273, 318, 340 Eng.	8	1	1	1	1	1	1	—	—	—	—	—	2932 797
	w/383 Eng.	8	1	1	1	1	1	—	—	—	—	—	—	2932 799
	w/426 Eng.	8	—	—	—	1	1	—	—	—	—	—	—	2585 118
	w/440 Eng.	8	—	—	—	1	1	—	—	—	—	—	—	3004 107
	w/383, 440 Eng.	8	—	—	—	—	1	1	1	1	1	1	1	2932 799
	SCREW	6	2	2	2	2	2	2	2	—	—	—	—	180 124
	SCREW	8	2	2	2	2	2	2	2	2	2	2	2	6023 548
14-73-2	SEPARATOR, Fuel Vapor, w/426, 440 Eng.	8	—	—	—	1	1	—	—	—	—	—	—	2951 192

14-74-0 FUEL PUMP MOUNTING GASKET

14-74-1	GASKET		1	1	1	1	1	1	1	1	1	1	1	2843 770
---------	--------	--	---	---	---	---	---	---	---	---	---	---	---	----------

14-77-0 FUEL PUMP PUSH ROD

14-77-17	ROD, w/383, 440 Eng.	8	—	1	1	1	1	1	1	1	1	1	1	1737 745
	w/426 Eng.	8	—	—	—	1	1	—	—	—	—	—	—	2463 921

TYPE LETTERS Indicates

B - Barracuda

V - Valiant
L - Dart

R - Belvedere
W - Coronet

P - Plymouth
D - Dodge

C - Chrysler
Y - Imperial

AR Indicates use as required.

= Indicates parts not listed in any previous parts book.

Numerals in parentheses () refer to notes.

★ Indicates change or addition.

Printed in U.S.A.
January 1971

1969 PASSENGER CAR PARTS CATALOG

FUEL

CODE	PART NAME	ENG. TYPE OR CU.IN.	V	B	L	R	W	P	D	C	C	C	Y	PART NUMBER
			1-2	1-2	1-2	1-2	1-2	1-2	1-2	1	2	3	1	
14-86-0 FUEL TANK														
14-86-1	TANK		1	1	1	—	—	—	—	—	—	—	—	2880 417
	Except Charger and Sta. Wgn.		—	—	—	1	1	—	—	—	—	—	—	2880 434
	Charger and Charger R/T		—	—	—	—	1	—	—	—	—	—	—	2880 435
	Sta. Wgn.		—	—	—	1	1	—	—	—	—	—	—	2880 459
	Except Sta. Wgn.		—	—	—	—	—	1	1	1	1	1	1	2880 426
	Sta. Wgn.		—	—	—	—	—	1	1	1	—	—	—	2925 748
14-86-32	BEZEL, Filler Tube Cap, R-P, W-P, Sta. Wgn.		—	—	—	1	1	—	—	—	—	—	—	3404 467
14-86-35	CAP, Filler Tube, Chrome		1	—	1	—	—	—	—	—	—	—	—	2823 328
	B, W-Charger, Chrome, w/Word "FUEL"		—	1	—	—	1	—	—	—	—	—	—	2925 878
	Except Charger and Sta. Wgn.		—	—	—	1	1	—	—	—	—	—	—	2925 697
	R, L-H, W, L-H, Sta. Wgn.		—	—	—	1	1	—	—	—	—	—	—	2643 998
	R-P, W-P, Sta. Wgn., Wood Grain		—	—	—	1	1	—	—	—	—	—	—	3404 466
	Except Sta. Wgn.		—	—	—	—	—	1	1	1	1	1	1	2660 856
	Sta. Wgn.		—	—	—	—	—	1	1	1	—	—	—	2208 538
14-86-38	RING, Filler Tube Cap Ornament, W-Charger		—	—	—	—	1	—	—	—	—	—	—	2880 430
14-86-40	TUBE, Filler, except Fast Back		1	1	1	—	—	—	—	—	—	—	—	2800 906
	Fast Back		—	1	—	—	—	—	—	—	—	—	—	2800 914
	Except Charger and Sta. Wgn.		—	—	—	1	1	—	—	—	—	—	—	2856 332
	Charger		—	—	—	—	1	—	—	—	—	—	—	2925 689
	Sta. Wgn., Inner		—	—	—	1	1	—	—	—	—	—	—	2643 855
	SCREW		—	—	—	1	1	—	—	—	—	—	—	6027 183
	TUBE, Sta. Wgn., Outer		—	—	—	1	1	—	—	—	—	—	—	2880 454
	Except Sta. Wgn.		—	—	—	—	—	1	—	—	—	—	—	2925 826
	Except Sta. Wgn.		—	—	—	—	—	—	1	—	—	—	—	2925 830
	Except Sta. Wgn.		—	—	—	—	—	—	—	1	1	1	—	2925 834
			—	—	—	—	—	—	—	—	—	—	1	2925 838
14-86-42	GASKET, Filler Tube Cam		1	1	1	—	—	—	—	—	—	—	—	2643 956
	R, Sta. Wgn., W, Charger and Sta. Wgn.		—	—	—	1	1	—	—	—	—	—	—	2643 956
	SEAL, Filler Tube to Floor Pan		1	1	1	—	—	—	—	—	—	—	—	2800 918
	Charger		—	—	—	—	1	—	—	—	—	—	—	2962 176
	Sta. Wgn.		—	—	—	1	1	—	—	—	—	—	—	2660 843
14-86-43	BRACKET, Filler Tube, R, W, except Charger and Sta. Wgn.		—	—	—	1	1	—	—	—	—	—	—	2856 334
	Except Sta. Wgn.		—	—	—	—	—	1	—	—	—	—	—	2925 829
	Except Sta. Wgn.		—	—	—	—	—	—	1	—	—	—	—	2925 833
	Except Sta. Wgn.		—	—	—	—	—	—	—	1	1	1	—	2925 837
			—	—	—	—	—	—	—	—	—	—	1	2925 841
14-86-49	CLAMP, Filler Tube to Brkt., except Sta. Wgn. and Charger		—	—	—	1	1	1	1	1	1	1	1	2448 764
14-86-50	TUBE, Filler Vent Inter., Sta. Wgn.		—	—	—	1	1	—	—	—	—	—	—	2643 858
14-86-55	GROMMET, Vent Extension Tube, except Sta. Wgn.		—	—	—	1	1	1	1	1	1	1	1	2216 552
	Sta. Wgn.		—	—	—	1	1	—	—	—	—	—	—	2534 598
	Filler Tube		1	1	1	1	1	—	—	—	—	—	—	2880 841
	Except Sta. Wgn.		—	—	—	—	—	1	1	1	1	1	—	2880 841
14-86-57	HOSE, Filler Vent Tube, Charger		1	1	1	—	1	—	—	—	—	—	—	2600 702
	Tank Vent Tube, except Sta. Wgn. and Charger		—	—	—	1	1	1	1	1	1	1	1	2600 702
	Fuel Return Tube to Vapor Separator, w/426, 440 Eng.		—	—	—	1	1	—	—	—	—	—	—	2600 702
14-86-60	LOCK, Filler Tube, Charger		—	1	—	—	1	—	—	—	—	—	—	2925 881
14-86-69	ELBOW, Filler Tube, Sta. Wgn.		—	—	—	1	1	—	—	—	—	—	—	2643 859
	Filler Vent Tube, Sta. Wgn.		—	—	—	2	2	—	—	—	—	—	—	2643 860
	Clamp, Vent Tube Elbow		—	—	—	4	4	—	—	—	—	—	—	2448 770

TYPE LETTERS Indicates

B - Barracuda

V - Valiant
L - DartR - Belvedere
W - CoronetP - Plymouth
D - DodgeC - Chrysler
Y - Imperial

AR Indicates use as required.

= Indicates parts not listed in any previous parts book.

Numerals in parentheses () refer to notes.

★ Indicates change or addition.

Printed in U.S.A.
January 1971

CODE	PART NAME	ENG. TYPE OR CU.IN.	V	B	L	R	W	P	D	C	C	C	Y	PART NUMBER
			1-2	1-2	1-2	1-2	1-2	1-2	1-2	1	2	3	1	
14-86-0 FUEL TANK Cont'd.														
14-86-85	FILTER, Inside of Tank, except R, W, w/426, 440 Eng. w/426, 440 Eng., except Sta. Wgn.		1	1	1	1	1	1	1	1	1	1	1	1670 694 2534 111
14-87-0 FUEL TANK STONE DEFLECTOR														
14-87-2	DEFLECTOR, Sta. Wgn.							1	1	1				2894 903
14-88-0 FUEL TANK SUPPORT														
14-88-21	STRAP		2	2	2									3404 679
	Except Sta. Wgn.					2	2							2856 349
	Sta. Wgn.					2	2							2880 474
	Except Sta. Wgn.							2	2	2	2	2	2	2880 429
	Sta. Wgn., Front							1	1	1				3404 681
	Sta. Wgn., Rear							1	1	1				2925 750
14-88-27	STUD, Support Strap		2	2	2	2	2	2	2	2	2	2	2	1944 171
	NUT		2	2	2	2	2	2	2	2	2	2	2	6023 397
14-88-28	BRACKET, w/NUT, Rr. Flr. Pan													
	F/Tank Support Strap Frt., Sta. Wgn.					1	1							3439 328-9
	Rear, Sta. Wgn.					2	2							2860 786
14-88-36	REINFORCEMENT, w/STOP, Rr. Flr.													
	Pan Fuel Tank, except Sta. Wgn.					1	1							2859 253
	REINFORCEMENT, Rr. Flr. Pan													
	Fuel Tank Frt. or Rr., except Sta. Wgn.							1	1	1	1	1	1	2481 381
14-88-42	BRACE, F/Tank Protector and Bumper Guard, Rt., Charger							1						2883 962
	Lt., Charger							1						2883 961
14-89-0 FUEL LINE TUBE														
14-89-2	TUBING, 25 ft. Roll, 5/16" O.D.		AR	AR	AR	AR	AR	AR	AR	AR	AR	AR	AR	1843 253
14-89-57	HOSE, Tube, except 426 Eng.		AR	AR	AR	AR	AR	AR	AR	AR	AR	AR	AR	1739 230
	CLAMP		2	2	2	2	2	2	2	2	2	2	2	274 461
	w/426 Eng.					1	1							2534 117
	CLAMP					2	2							2448 761
14-89-58	STEM, Fuel Pump Hose, w/426 Eng.					1	1							2532 191
14-90-0 FUEL LINE TUBE CLIP														
14-90-1	CLIP		AR	AR	AR	AR	AR	AR	AR	AR	AR	AR	AR	2123 341
	At Sill		AR	AR	AR									2207 933
	Tube Flange							AR	AR	AR	AR	AR	AR	2781 518
	To Carb.					1	1							2467 719
	Tube Front, w/426 Eng.					2	2							2534 113
	Fuel Return Tube, w/426, 440 Eng.					12	12							2530 700
	Tube Front		1	1	1									2883 929
14-90-4	BRACKET, Fuel Line Support	426				1	1							2780 535

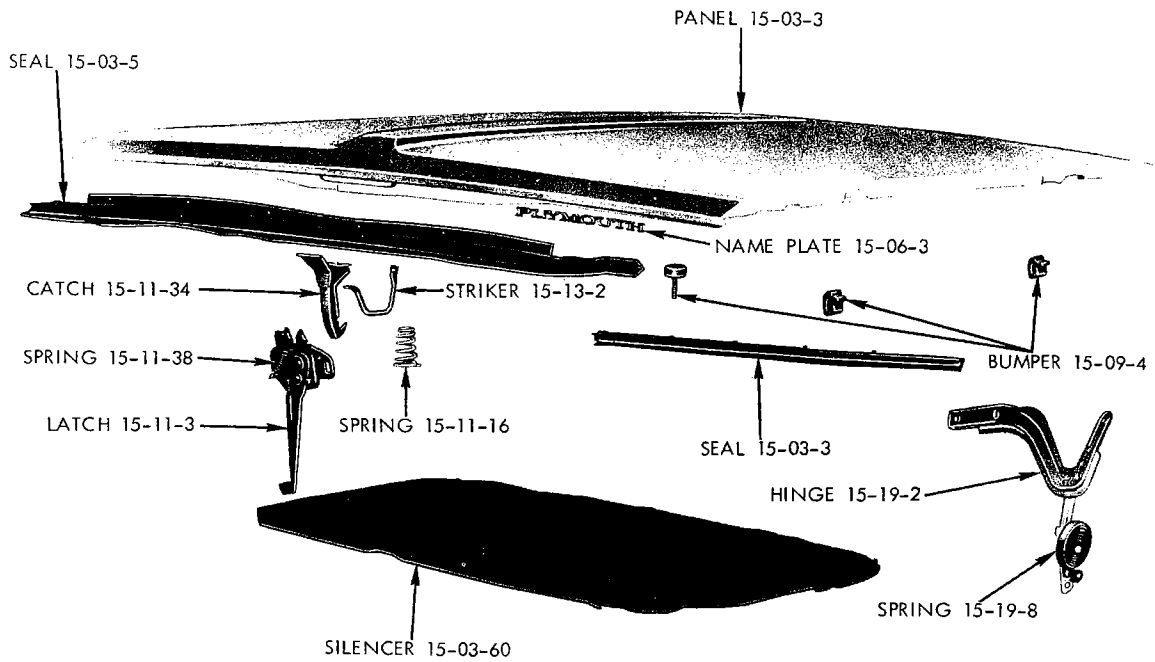
NOTES

TYPE LETTERS Indicates B - Barracuda V - Valiant R - Belvedere P - Plymouth C - Chrysler
L - Dart W - Coronet D - Dodge Y - Imperial

AR Indicates use as required. Numerals in parentheses () refer to notes. Printed in U.S.A.
= Indicates parts not listed in any previous parts book. ★ Indicates change or addition. January 1971

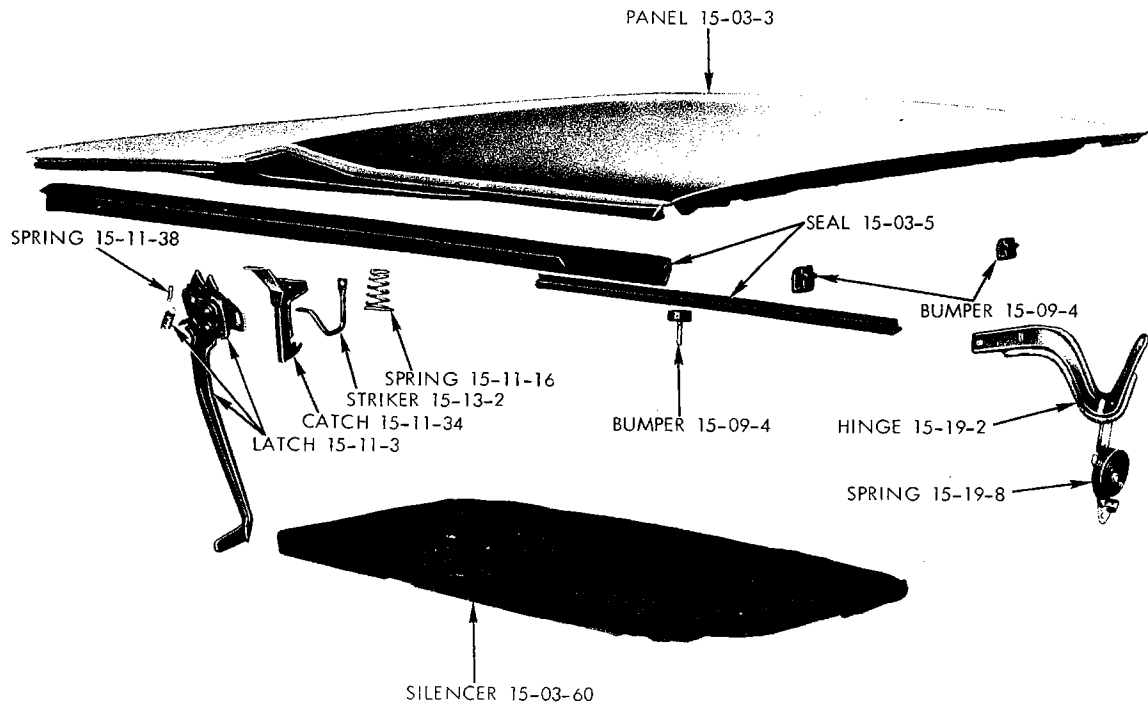
NOTES

GROUP 15 - HOOD



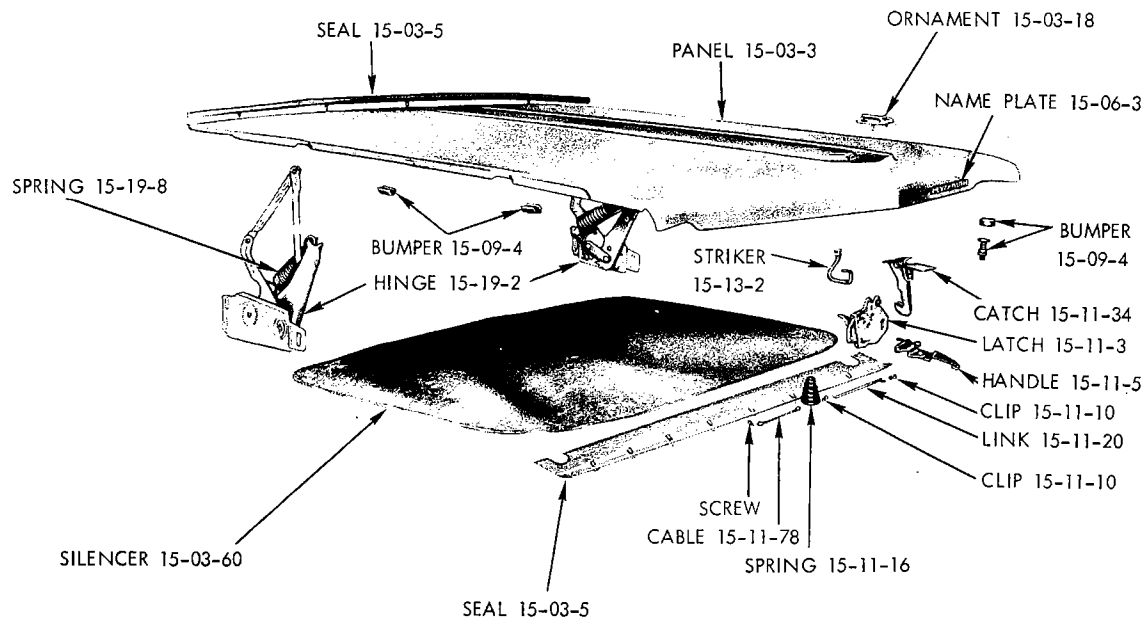
19a2689

HOOD - VALIANT



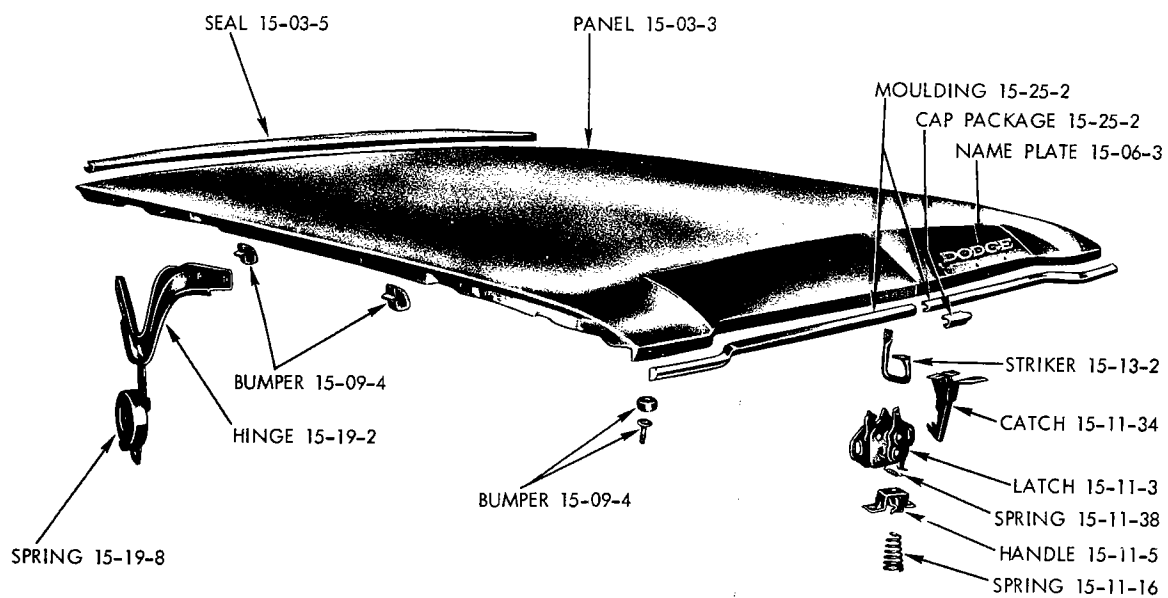
19a2690

HOOD - BARRACUDA



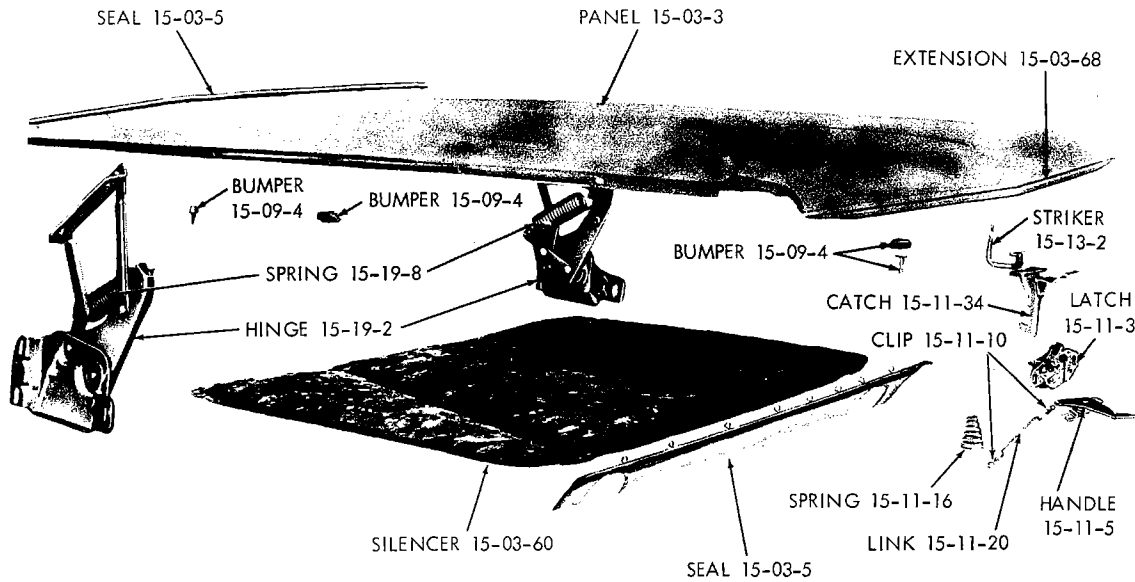
19a2079 A

HOOD - BELVEDERE



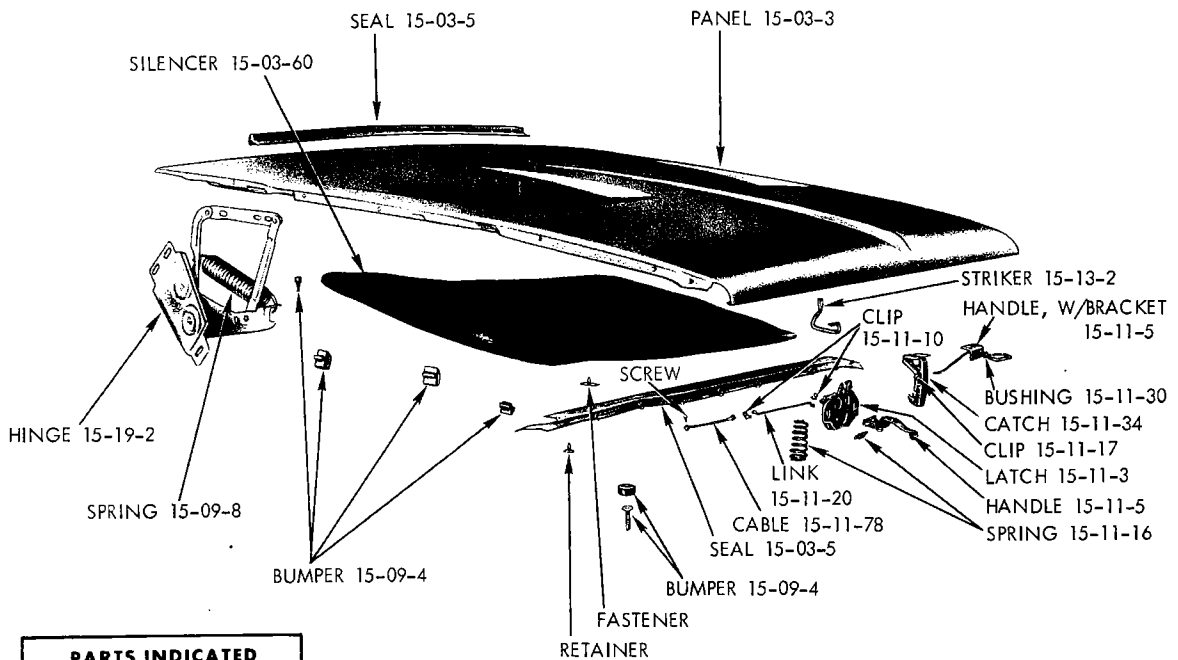
19a2488

HOOD - DART



19a2080 A

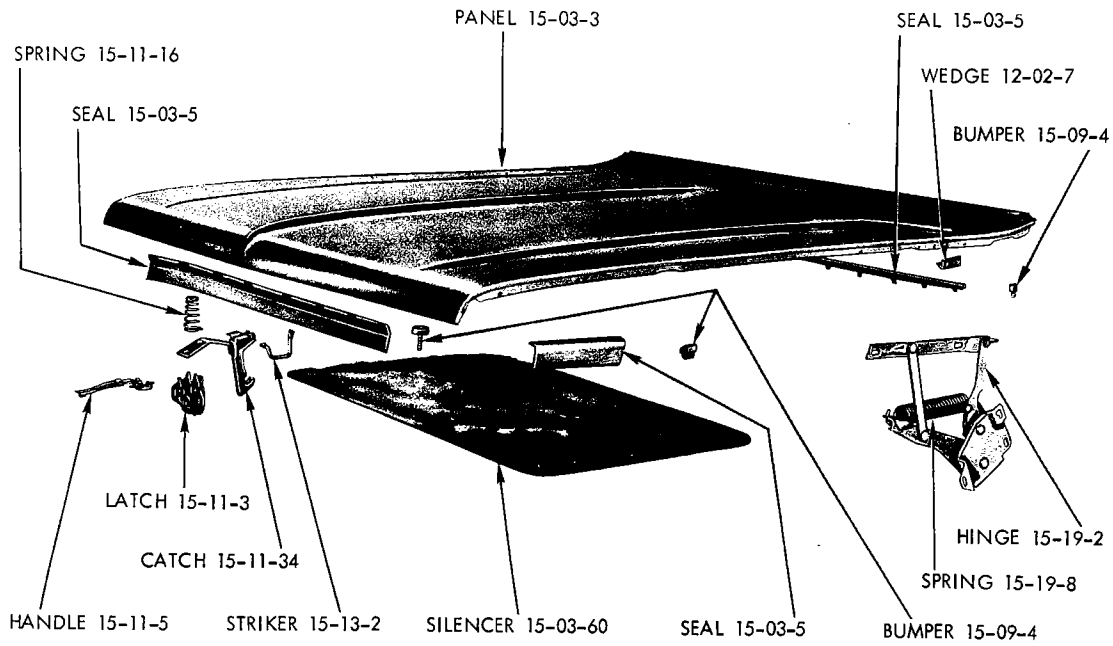
HOOD - CORONET



**PARTS INDICATED
BY NAME ONLY - ORDER
BY DESCRIPTION**

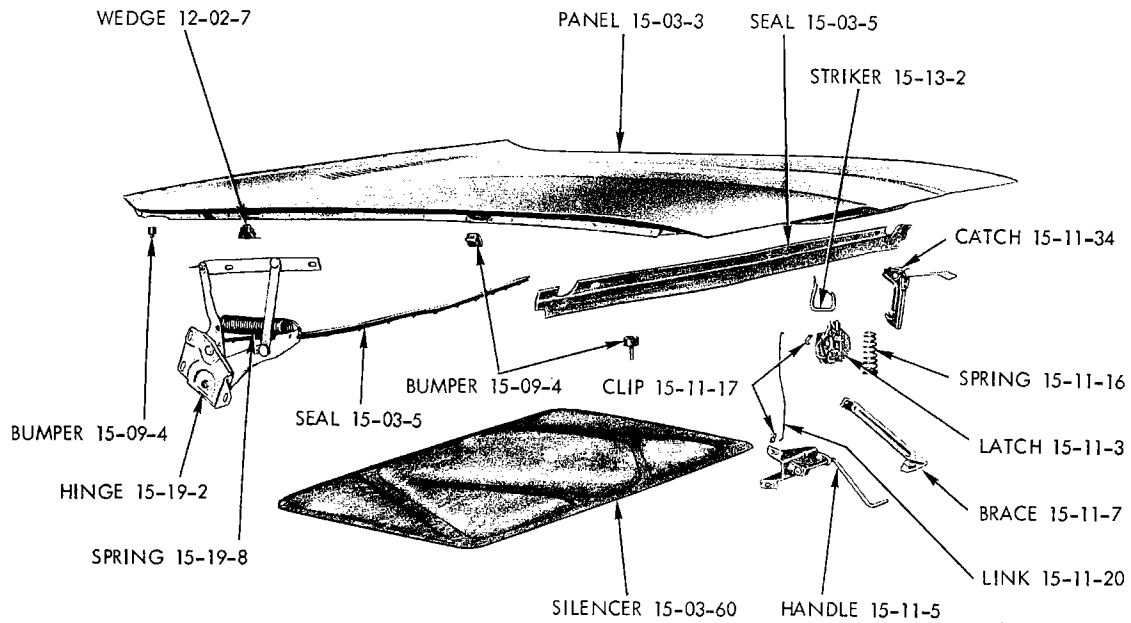
19a2362 A

HOOD - CHARGER



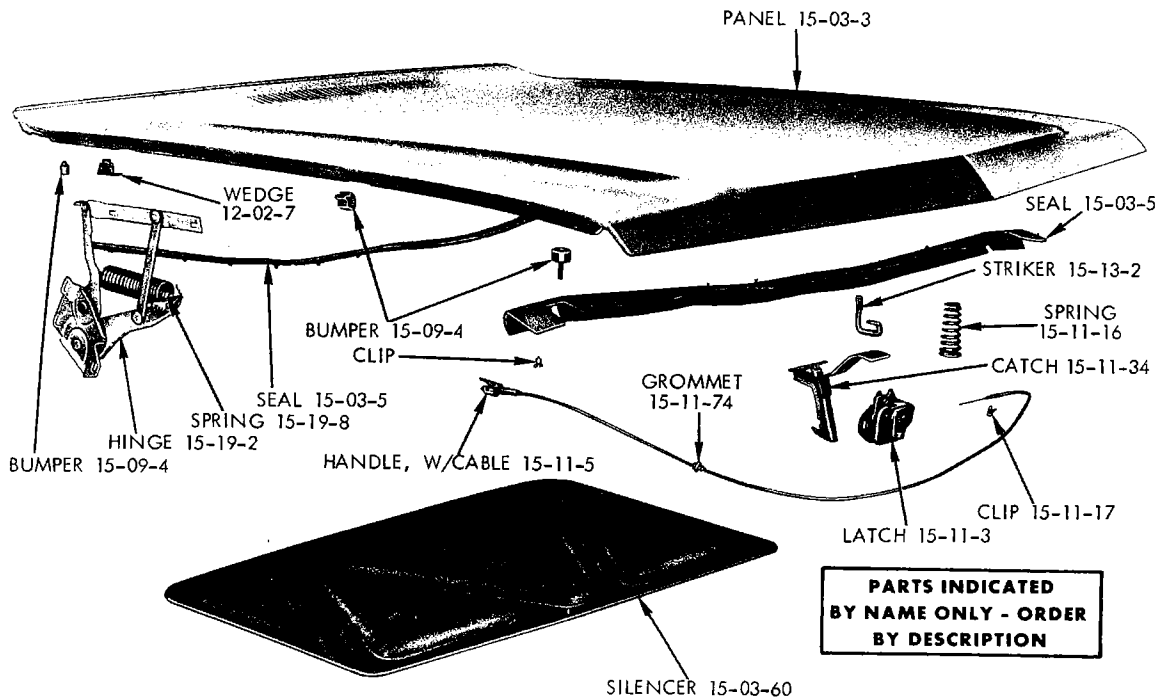
19a2673

HOOD - DODGE (TYPICAL OF PLYMOUTH)



19a2804

HOOD - CHRYSLER



19a2791

HOOD - IMPERIAL

NOTES

CODE	PART NAME	ENG. TYPE OR CU.IN.	V	B	L	R	W	P	D	C	C	C	Y	PART NUMBER
			1-2	1-2	1-2	1-2	1-2	1-2	1-2	1	2	3	1	
15-03-0 HOOD PANEL														
15-03-3	PANEL		1											2934 072
				1										2934 086
	L, except L-S				1									2934 730
	L-S, L-L, Swinger				1									2934 733
	R-M, R-S					1								3417 098
	R, except R-M, and R-S					1								2934 495
	W, Except W-M, W-S and W-P Charger						1							2934 368
	W-M, w/383 Eng., W-S, w/440 Eng., w/o Fresh Air Control						1							2934 367
	W-M, w/383 or 426 Eng., W-S, w/426 or 440 Eng., w/Fresh Air Control						1							3417 096
	W-P, Charger, W-S, Charger R/T w/Air Scoop, w/440 Eng., w/3-2 Bbl. Carb., R-M						1							2934 893
	w/Air Scoop, w/440 Eng., w/3-2 Bbl. Carb., R-M				1									3412 055
	w/Air Scoop, w/440 Eng., w/3-2 Bbl. Carb W-M						1							3412 056
								1						2859 844
									1					2859 868
										1	1	1		2859 766
													1	2934 022
15-03-5	SEAL, Hood to Cowl		1	1	1									2785 695
	Hood to Cowl					1								2582 705
	Hood to Cowl, W-P, Charger, W-S, R/T						1							2582 705
	Hood to Yoke		1	1	1									2582 134
	Hood to Yoke					1	1							2786 182
	Hood to Yoke							1	1					2898 448
	Hood to Yoke									1	1	1		2898 206
	Cowl Top to Hood Panel						1	1	1	1	1	1		2895 329
	Hood to Yoke Bracket						1	1						2898 452-3
	Hood to Yoke Bracket												1	2898 451
	RETAINER		AR	AR	AR	AR	AR	AR	AR			AR		6026 516
15-03-8	CLIP, Hood to Cowl Seal		6	6	6	6								2480 904
	W-P, Charger, W-S, R/T						6							2480 904
15-03-18	ORNAMENT, Hood													
NOTE: See Exterior Moulding Illustrations in Illustration Catalog.														
15-03-30	RETAINER, Hood Side Lower													
	Ornament to Upper Ornament, L-S, w/340 or 383 Eng.	8			4									2197 678
15-03-47	WELT, Hood Side Ornament, L-L, 2 D. H.T., L-S				2									2786 524
	Hood Ornament, W-M, 2 D., W-S						2							2786 955
15-03-60	SILENCER, Hood		1	1	1									2582 136
						1	1							2898 994
								1	1	1	1	1		2898 207
	FASTENER		AR	AR	AR	AR	AR	AR	AR	AR	AR	AR		6001 798
15-03-63	CONTROL, Hood Carburetor Air Intake, R-M, 2 D., R-S, W-S, 2 D. H.T. and Cv. Cp.					1	1						1	2949 222
	CLIP					AR	AR							6015 143
	SCREW					AR	AR							9416 136
15-03-64	SCOOP, Hood Air, W-M, 2 D., W-S, w/Air Scoop, w/440 Eng., w/3-2 Bbl. Carb., W-M						1							3412 056
	2 D. H.T. and Cv. Cp.						1							2949 194-5
	NUT						16							6026 218

TYPE LETTERS Indicates B - Barracuda V - Valiant R - Belvedere P - Plymouth C - Chrysler
 L - Dart W - Coronet D - Dodge Y - Imperial

AR Indicates use as required. Numerals in parentheses () refer to notes. Printed in U.S.A.
 = Indicates parts not listed in any previous parts book. ★ Indicates change or addition. January 1971

CODE	PART NAME	ENG. TYPE OR CU.IN.	V	B	L	R	W	P	D	C	C	C	Y	PART NUMBER
			1-2	1-2	1-2	1-2	1-2	1-2	1-2	1	2	3	1	
15-03-0 HOOD PANEL Cont'd.														
15-03-67	SEAL, Hood Air Intake Outer Upper Duct, W-M, All, W-S, 2 D. H.T. and Cv. Cp.						2							# 2998 456
	Hood Air Intake Duct Lower, R-M, All, R-S, 2 D. H.T. and Cv. Cp., W-M, All, W-S, 2 D. H.T. and Cv. Cp.				1	1								2949 233
	SEAL, Hood Air Intake Center Duct, R-M, All, R-S, 2 D. H.T. and Cv. Cp., W-M, All, W-S, 2 D. H.T. and Cv. Cp.				1	1								# 2898 458
	Gasket, Hood Outer Panel Extension, R-M, All, R-S, 2 D. H.T. and Cv. Cp.				2									2898 990
15-03-68	Extension, Hood Outer Panel, R-M, All, R-S, 2 D. H.T. and Cv. Cp.				1									2898 606-7
	Hood Outer Panel					1								2898 314
	SCREW					6								9420 813
15-03-69	APPLIQUE, Hood Outer Panel Inboard Depression, W-P, Charger, W-S, Charger R/T					2								2785 871
	Outboard Depression					2								2785 894-5
	TAPE, Stripe (Black)			1										2949 344-5
15-03-70	RETAINER, Hood Carburetor Air Control Mtg., R-M, 2 D., R-S, W-S, 2 D. H.T. and Cv. Cp.				2	2								2197 678
15-03-71	COVER, Hood Outer Panel Extension Air, R-M, R-S, w/383, 440 Eng.				1									2949 202-3
15-03-72	RETAINER, Hood Extension Screen Long, R-M, R-S				6									2998 612
	Short				4									2949 213
15-03-73	SCREEN, Hood Outer Panel Extension Air, R-M, R-S				1									2949 198-9
	SCREW				16									9418 418
15-03-74	CABLE, Hood Duct Air Control Doors, R-M, All, R-S, 2 D. H.T. and Cv. Cp., W-M, All, W-S, 2 D. H.T. and Cv. Cp.				1	1								2949 229
15-03-76	DUCT, Hood Air Intake Outer, R-M, All, R-S, 2 D. H.T. and Cv. Cp.,					1								# 2898 448
	Rt. Hood Air Intake Outer, R-M, All, w/383 Eng., R-S, 2 D. H.T. and Cv. Cp., w/440 Eng.					1								# 2898 449
	Lt. Hood Air Intake Outer, R-M, All, R-S, 2 D. H.T. and Cv. Cp.					1								# 2998 463
	Lt. 426 Hood Air Intake Outer, W-M, All, W-S, 2 D. H.T. and Cv. Cp.					1								# 2998 452-3
	Hood Air Intake Center, R-M, All, R-S, 2 D.H.T. and Cv. Cp., W-M, All, W-S, 2 D.H.T. and Cv. Cp.				1	1								# 2998 461
15-03-78	SUPPORT, Hood Screen Panel Outer Extension, R-M, R-S, w/383, 426, 440 Eng.				4									2998 410

TYPE LETTERS Indicates

B - Barracuda

V - Valiant
L - Dart

R - Belvedere
W - Coronet

P - Plymouth
D - Dodge

C - Chrysler
Y - Imperial

AR Indicates use as required.
= Indicates parts not listed in any previous parts book.

Numerals in parentheses () refer to notes.
★ Indicates change or addition.

Printed in U.S.A.
January 1971

CODE	PART NAME	ENG. TYPE OR CU.IN.	V	B	L	R	W	P	D	C	C	C	Y	PART NUMBER
			1-2	1-2	1-2	1-2	1-2	1-2	1-2	1	2	3	1	
15-06-0 HOOD NAME PLATE, MEDALLION AND LETTERS														
NOTE: See Exterior Moulding Illustrations in Illustration Catalog.														
15-06-24	WASHER, Hood Side Ornament Seal, L-S	8	—	—	10	—	—	—	—	—	—	—	—	2786 863
	Hood Ornament, W-M, W-S	8	—	—	—	—	8	—	—	—	—	—	—	2786 863
15-09-0 HOOD BUMPER														
15-09-4	BUMPER, Fender Flange Reinforcement													
	Front Extension Hood		2	2	2	—	—	2	2	2	2	2	2	2276 804
	Radiator Yoke C/Member Bracket to Hood, R, All, W, Charger		—	—	—	2	2	—	—	—	—	—	—	2276 804
	Radiator Crossbar Hood, except Charger		—	—	—	—	2	—	—	—	—	—	—	2276 804
	SCREW		2	—	—	2	2	2	2	2	2	2	2	6025 128
	BUMPER, Fender Hood Side		4	4	4	—	—	—	—	—	—	—	—	2949 250
			—	—	—	2	2	—	—	—	—	—	—	2786 236
			—	—	—	—	—	2	2	2	2	2	2	2898 588
	Fender Cowl Bracket to Hood		—	—	—	2	2	—	—	—	—	—	—	2276 749
			—	—	—	—	—	2	2	2	2	2	2	2898 762
	Fender Hood Side Front, Charger and Charger R/T		—	—	—	—	2	—	—	—	—	—	—	2786 597
15-11-0 HOOD LATCH														
15-11-3	LATCH		1	—	—	—	—	—	—	—	—	—	—	2935 351
			—	1	—	—	—	—	—	—	—	—	—	2935 513
			—	—	1	—	—	—	—	—	—	—	—	2935 373
			—	—	—	1	—	1	1	—	—	—	—	2583 352
			—	—	—	—	1	—	—	—	—	—	—	2583 206
			—	—	—	—	—	—	—	1	1	1	—	2935 374
			—	—	—	—	—	—	—	—	—	—	1	2486 022
	SCREW		2	2	2	2	2	2	2	2	2	2	2	180 077
15-11-5	HANDLE, Hood Latch Release		—	—	1	—	—	—	—	—	—	—	—	2935 352
			—	—	—	1	—	—	—	—	—	—	—	2935 356
	W, except Charger		—	—	—	—	1	—	—	—	—	—	—	2935 357
	Charger, Latch Release		—	—	—	—	1	—	—	—	—	—	—	2935 361
	LATCH RELEASE, w/Extension		—	—	—	—	—	—	—	—	—	—	—	
	Charger 500		—	—	—	—	1	—	—	—	—	—	—	2836 988
	Charger, Hood Safety, w/BRACKET		—	—	—	—	1	—	—	—	—	—	—	2862 025
			—	—	—	—	—	1	—	—	—	—	—	2999 913
			—	—	—	—	—	—	1	—	—	—	—	2999 911
			—	—	—	—	—	—	—	1	1	1	—	2935 360
	w/BEZEL and CABLE, on Instrument Panel		—	—	—	—	—	—	—	—	—	—	1	2935 363
	SCREW		—	—	2	—	—	—	—	—	—	—	—	6026 755
	SCREW		—	—	—	1	1	1	1	1	1	1	—	9414 723
	SCREW		—	—	—	—	—	—	—	—	—	—	2	6025 304
	SCREW		—	—	—	—	—	—	—	—	—	—	1	9414 711
15-11-7	BRACE, Hood Latch Release Handle Support		—	—	—	—	—	—	—	1	1	1	—	2999 224
	Hood Latch Vertical Support		—	—	—	—	—	—	—	—	1	—	—	2949 389
	Grille Housing		—	—	—	—	—	—	—	—	—	—	—	
15-11-10	CLIP, Latch Release Handle Link to Latch		—	—	—	—	1	—	—	—	—	—	—	2583 195
	Latch Release Handle Link to Handle		—	—	—	—	1	—	—	—	—	—	—	2583 195
15-11-12	PLATE, Hood Latch		—	—	—	—	—	—	—	—	—	—	1	2898 813
15-11-16	SPRING, Hood Release Pop-Up		1	—	1	—	—	—	—	—	—	—	—	2802 974
			—	1	—	—	—	—	—	—	—	—	—	2802 880
			—	—	—	1	1	1	1	—	—	—	1	2862 433
			—	—	—	—	—	—	—	1	1	1	—	2935 375

TYPE LETTERS Indicates B - Barracuda V - Valiant R - Belvedere P - Plymouth C - Chrysler
 L - Dart W - Coronet D - Dodge Y - Imperial

AR Indicates use as required.
 = Indicates parts not listed in any previous parts book.

Numerals in parentheses () refer to notes.
 ★ Indicates change or addition.

Printed in U.S.A.
 January 1971

CODE	PART NAME	ENG. TYPE OR CU.IN.	V	B	L	R	W	P	D	C	C	C	Y	PART NUMBER
			1-2	1-2	1-2	1-2	1-2	1-2	1-2	1	2	3	1	
15-11-0 HOOD LATCH Cont'd.														
15-11-17	CLIP, Safety Catch Release Handle, Charger R/T		—	—	—	—	1	—	—	—	—	—	—	2862585
	Charger		—	—	—	—	1	—	—	—	—	—	—	2862 585
	Latch Release		—	—	—	—	—	—	—	2	2	2	—	2945 108
	Latch Release Handle Cable		—	—	—	—	—	—	—	—	—	—	1	2935 559
15-11-20	LINK, Hood Latch Release, Except Charger		—	—	—	—	1	—	—	—	—	—	—	2935 529
	LINK, w/CLIPS, Hood Latch Release Handle, Charger		—	—	—	—	1	—	—	—	—	—	—	2945 470
	LINK, Hood Latch Release Handle		—	—	—	—	—	—	—	1	1	1	—	2935 355
15-11-30	BUSHING, Safety Catch Release Handle Mtg. Bracket, Charger		—	—	—	—	1	—	—	—	—	—	—	2583 429
15-11-34	CATCH, w/HANDLE, Hood Safety		1	—	—	—	—	—	—	—	—	—	—	2999 091
			—	1	—	—	—	—	—	—	—	—	—	2935 517
			—	—	1	—	—	—	—	—	—	—	—	2935 365
			—	—	—	1	—	—	—	—	—	—	—	2999 074
	W, except Charger		—	—	—	—	1	—	—	—	—	—	—	2935 367
	Charger		—	—	—	—	1	—	—	—	—	—	—	2935 372
			—	—	—	—	—	1	—	—	—	—	—	2935 368
			—	—	—	—	—	—	1	—	—	—	—	2935 369
			—	—	—	—	—	—	—	1	1	1	—	2935 370
			—	—	—	—	—	—	—	—	—	—	1	2935 371
15-11-38	SPRING, Latch Release Handle Return		—	—	1	1	—	1	1	—	—	—	—	2862 989
	Latch to Pawl		1	1	1	1	1	1	1	1	1	1	—	2428 125
	Hood Latch		—	—	—	—	—	—	—	1	1	1	—	2802 836
15-11-46	SUPPORT, Hood Lock Vertical		1	1	1	—	—	—	—	—	—	—	—	2786 430
			—	—	—	1	—	—	—	—	—	—	—	2898 995
	W, except Charger		—	—	—	—	1	—	—	—	—	—	—	2786 173
	W, Charger		—	—	—	—	1	—	—	—	—	—	—	2786 391
			—	—	—	—	—	1	1	—	—	—	—	2898 370
			—	—	—	—	—	—	—	1	1	1	—	2898 192
			—	—	—	—	—	—	—	—	—	—	1	2898 532
15-11-50	BRACKET, Lock Vertical Support to C/Member		—	—	—	—	—	1	1	1	1	1	—	2445 726
15-11-58	PLATE, Lock Vertical Support Yoke		—	—	—	—	—	—	1	1	—	—	—	2898 761
			—	—	—	—	—	—	—	1	1	1	—	2898 765
15-11-74	GROMMET, Hood Carburetor Air Control, R-M, 2 D., R-S, 2 D. H.T., Cv. Cp., w/426 Eng.	8	—	—	—	1	—	—	—	—	—	—	—	1886 101
	W-S, 2 D. H.T., Cv. Cp., w/426 Eng.	8	—	—	—	—	1	—	—	—	—	—	—	2216 552
	Hood Latch Release Handle		—	—	—	—	—	—	—	—	—	—	1	2765 578
15-13-0 HOOD LATCH STRIKER														
15-13-2	STRIKER		—	—	1	—	—	—	—	—	—	—	—	2765 663
			—	1	—	—	—	—	—	—	—	—	—	2802 218
			—	—	1	—	—	—	—	—	—	—	—	2935 087
			—	—	—	—	1	1	1	—	—	—	—	2486 697
			—	—	—	—	—	—	—	1	1	1	—	2935 376
			1	—	—	—	—	—	—	—	—	—	1	2765 743
15-19-0 HOOD HINGE														
15-19-2	HINGE		1	1	1	—	—	—	—	—	—	—	—	2802 120-1
			—	—	—	1	1	—	—	—	—	—	—	2945 018-9
			—	—	—	—	—	1	1	1	1	1	1	2999 808-9

TYPE LETTERS Indicates

B - Barracuda

V - Valiant
L - DartR - Belvedere
W - CoronetP - Plymouth
D - DodgeC - Chrysler
Y - Imperial

AR Indicates use as required.

= Indicates parts not listed in any previous parts book.

Numerals in parentheses () refer to notes.

★ Indicates change or addition.

Printed in U.S.A.
January 1971

CODE	PART NAME	ENG. TYPE OR CU.IN.	V	B	L	R	W	P	D	C	C	C	Y	PART NUMBER
			1-2	1-2	1-2	1-2	1-2	1-2	1-2	1	2	3	1	
15-19-0 HOOD HINGE Cont'd.														
15-19-8	SPRING, Hinge		2	2	2	—	—	—	—	—	—	—	—	2802 991
	25 1/4 Coils, w/Red Paint		—	—	—	—	2	2	—	—	—	—	—	2862 050
	21 3/4 Coils, w/Yellow Paint		—	—	—	2	2	—	—	—	—	—	—	2999 448
	29 1/4 Coils, w/Aluminum Paint		—	—	—	—	—	2	—	—	—	—	—	2935 222
	27 1/4 Coils, w/Blue Paint		—	—	—	—	—	—	2	2	2	2	2	2945 300
	27 1/4 Coils, w/Green Paint		—	—	—	—	—	2	2	2	2	2	—	2935 560
	24 3/4 Coils, w/Orange Paint		—	—	—	—	—	—	—	—	—	—	2	2999 344

15-25-0 HOOD MOULDING

NOTE: See Exterior Illustrations in Illustration Catalog.

NOTES

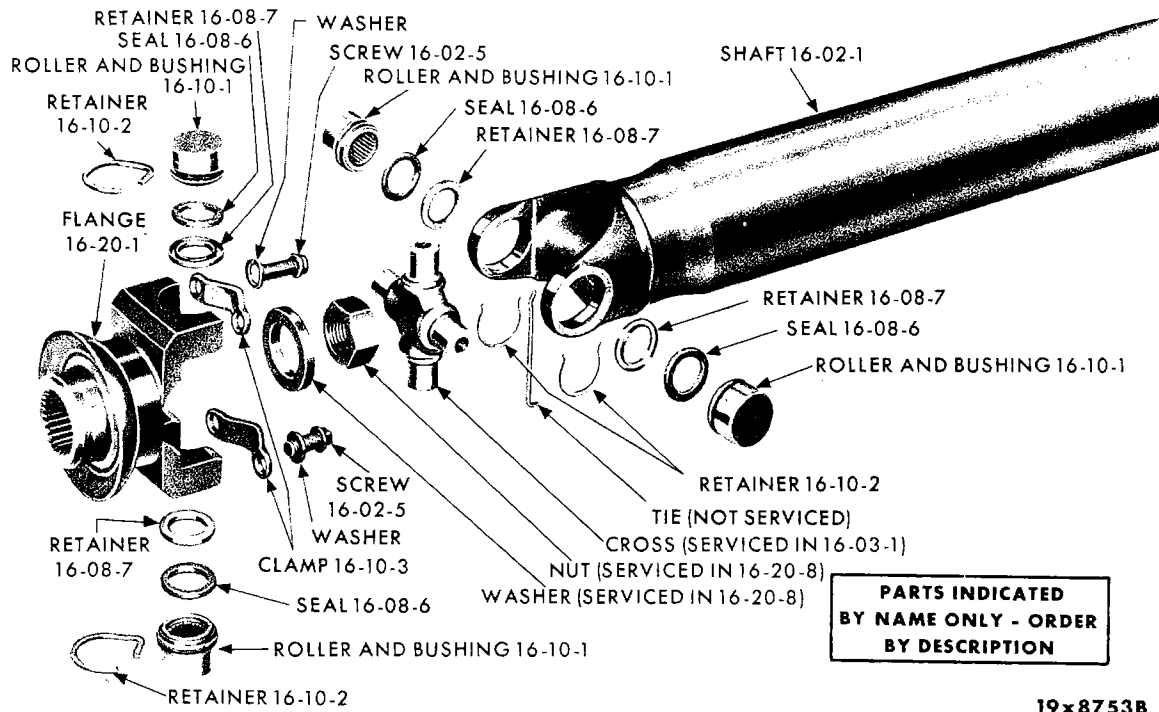
TYPE LETTERS Indicates B - Barracuda V - Valiant R - Belvedere P - Plymouth C - Chrysler
 L - Dart W - Coronet D - Dodge Y - Imperial

AR Indicates use as required.
 = Indicates parts not listed in any previous parts book.

Numerals in parentheses () refer to notes.
 ★ Indicates change or addition.

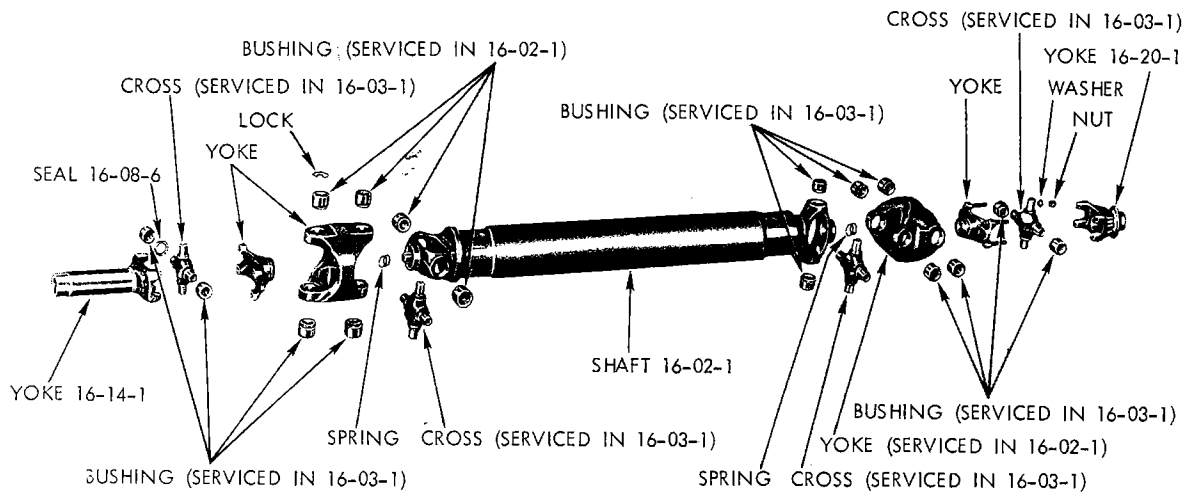
Printed in U.S.A.
 January 1971

GROUP 16 - PROPELLER SHAFT AND UNIVERSAL JOINT



19x8753B

PROPELLER SHAFT - AXLE END



**PARTS INDICATED
BY NAME ONLY - ORDER
BY DESCRIPTION**

19a0800

PROPELLER SHAFT - IMPERIAL

16-02-0 PROPELLER SHAFT

NOTE: Length Measurement of Shafts is from Center of Bearing Hole Trans. End to Center of Bearing Hole Axle End. For Axle Information See Note in Axle Code 3-01-0. Propeller Shaft includes Universal Slip Spline Yoke and Universal Joints.

When it becomes necessary to replace the Slip Spline Yoke on vehicles with 426 Hemi. Eng. and ALL V/8 Police Cars it is recommended that the complete Propeller Shaft be replaced.

CODE	MODEL	TYPE	CU. IN. ENG.	TRANSMISSION	LENGTH	DIA.	PART NO.
16-02-1	SHAFT, V1, V2, w/7 1/4" Axle	7260	170, 225, 318	A904	51.43"	2 3/4"	2660 702
	V1, V2, w/7 1/4 Axle	7260	170, 225, 273	A904	51.43"	3"	2852 231
	V1, B1, w/7 1/4" Axle, Export	7260	170, 225	A833	51.12"	2 3/4"	2660 682
	V, B, w/8 3/4" Axle	7260	318	A745, A904	49.27"	2 3/4"	2781 952
	V, w/8 3/4" Axle	7290	273, 318	A833	48.60"	2 3/4"	2852 206
	B1, w/7 1/4" Axle	7260	170, 225	A904	51.43"	3"	2852 231
	V, B, w/8 3/4" Axle	7290	318	A745, A904	49.27	2 3/4	2883 608
	B1, w/7 1/4" Axle, Export	7260	170	A904	51.43"	2 3/4"	2660 702
	B1, B2, w/7 1/4" Axle	7260	225, 318	A904	51.43"	2 3/4"	2660 702
	B, 8 3/4" Axle	7290	340, 383	A727	48.88"	3"	2852 216
	L, w/7 1/4" Axle	7260	170, 225	A833	54.05"	3"	2852 151
	L, w/7 1/4" Axle	7260	170, 225, 273	A904	54.36"	3"	2852 237
	L, w/7 3/4" Axle	7260	318	A745, A904	52.27"	3"	2852 109
	L, 2 3/4" Axle	7290	318	A745, A904	52.27	3"	2883 633
	L, w/7 1/4" Axle	7260	170, 225, 273, 318	A745, A904	54.36"	2 3/4"	2781 905
	L, w/8 3/4" Axle	7290	340, 383	A727	47.81"	3 1/4"	2852 228
	L, w/8 3/4" Axle	7290	273, 318, 340, 383	A833	51.53"	3"	2852 212
	R, except Sta. Wgn., w/8 3/4" Axle	7290	383, 426, 440	A727, A833	51.50"	3"	2852 161
	R, Except Sta. Wgn., w/8 3/4" Axle	7260	225, 318	A903, A904	55.47"	3"	2852 333
	R, except Sta. Wgn., w/7 1/4" Axle	7260	225	A903	57.65"	3"	2852 253
	R, except Sta. Wgn., w/9 3/4" Axle	7290	426, 440	A727, A833	50.39"	3 1/4"	# 2996 560
	R, Except Sta. Wgn., w/8 3/4" Axle	7290	383, 426, 440	A727, A833	51.50"	3 1/4"	2996 161
	R, Except Sta. Wgn., w/8 3/4" Axle	7260	225, 318, 383	A745	51.44"	3.25"	2996 182
	R, Sta. Wgn., w/8 3/4" Axle	7260	225, 318	A727, A745	72.60"	3.25"	2996 635
	R, Sta. Wgn., w/8 3/4" Axle	7260	225, 318	A904	56.17"	2 3/4"	2852 215
	R, Sta. Wgn., w/8 3/4" Axle	7260	225, 318	A903, A904	56.17"	3"	2660 550
	R, Sta. Wgn., w/8 3/4" Axle	7260	225, 318	A745	52.03"	3"	2852 293
	R, Sta. Wgn., w/8 3/4" Axle	7260	318	A727	52.03"	3 1/4"	2660 683
	R, Sta. Wgn., w/8 3/4" Axle	7260	383	A833	52.03"	3 1/4"	2660 683
	R, except Sta. Wgn., w/8 3/4" Axle	7260	225, 318	A903, A904	55.47"	3"	2852 268
	R, except Sta. Wgn., w/8 3/4" Axle	7260	318	A745	51.44"	3"	2852 242
	R, except Sta. Wgn., Police and Taxi, w/8 3/4" Axle	7260	225, 318	A745, A727	51.44"	3"	2852 242
	R, except Sta. Wgn., w/8 3/4" Axle	7260	225, 318	A903, A904	55.47"	3"	2852 333
	R, except Sta. Wgn., w/8 3/4" Axle	7260	225, 318	A904	55.47"	2 3/4"	2852 343
	R, except Sta. Wgn., w/7 1/4" Axle	7260	225	A904	57.65"	3"	2852 253
	R, except Sta. Wgn., w/8 3/4" Axle	7260	225, 318	A904	55.47"	3 1/4"	# 2996 343
	R, All, w/8 3/4" Axle	7260	225, 318	A904	56.17"	3 1/4"	# 2996 215

TYPE LETTERS Indicates V - Valiant R - Belvedere P - Plymouth C - Chrysler
 B - Barracuda L - Dart W - Coronet D - Dodge Y - Imperial

AR Indicates use as required. Numerals in parentheses () refer to notes. Printed in U.S.A.
 = Indicates parts not listed in any previous parts book. ★ Indicates change or addition. January 1971

16-02-0 PROPELLER SHAFT - Cont'd

CODE	MODEL	TYPE	CU. IN. ENG.	TRANSMISSION	LENGTH	DIA.	PART NO.
16-02-1	SHAFT - Cont'd						
	R, except Sta. Wgn., w/8 3/4" Axle	7260	318, 383	A727, A833	51.44"	3"	2852 242
	R, Sta. Wgn., w/8 3/4" Axle	7260	383	A727	52.03"	2 3/4"	2660 635
	R, Sta. Wgn., w/8 3/4" Axle	7290	383	A727, A833	52.07"	3"	2852 162
	R, Except Sta. Wgn., w/8 3/4" Axle	7260	318	A904	56.17"	3"	2852 286
	R, Sta. Wgn., 8 3/4" Axle	7290	383	A727, A833	52.07"	3 1/4"	2996 162
	R, Sta. Wgn., w/8 1/4" Axle	7260	318	A904	56.83"	3"	2883 563
	R, Sta. Wgn., w/8 3/4" Axle	7260	318	A904	56.17"	3"	2852 286
	W, except Sta. Wgn., w/7 1/4" Axle	7260	225	A903	58.27"	2 3/4"	2852 313
	W, except Sta. Wgn., w/7 1/4" Axle	7260	225	A904	58.27"	3"	2852 257
	W, except Sta. Wgn., w/8 3/4" Axle	7260	225, 318	A903, A904	56.17"	3"	2660 550
	W, except Sta. Wgn., w/8 3/4" Axle	7260	318	A745	52.03"	3"	2852 293
	W, except Sta. Wgn., w/8 3/4" Axle, Police and Taxi	7260	225, 318	A727, A745	52.03"	3"	2852 293
	W, ALL, w/8 3/4" Axle	7260	225, 318	A903, A904	56.17"	3"	2852 286
	W, ALL, w/8 3/4" Axle	7260	225, 318	A904	56.17"	2 3/4"	2883 569
	W, Except Sta. Wgn., w/8 3/4" Axle	7260	383	A833	62.03"	3 1/4"	2660 683
	W, except Sta. Wgn., w/8 3/4" Axle	7260	383	A727	52.03"	2 3/4"	2660 635
	W, except Sta. Wgn., w/8 3/4" Axle	7290	383, 426, 440	A833, A727	52.07"	3"	2852 162
	W, ALL, 9 3/4" Axle	7290	426, 440	A727, A833	50.96"	3 1/4"	# 2996 581
	W, except Sta. Wgn., w/8 3/4" Axle	7260	225	A904	58.17"	3 1/4"	# 2996 559
	W, ALL, w/8 3/4" Axle	7260	225, 318	A904	56.17"	3 1/4"	# 2996 215
	W, except Sta. Wgn., w/8 3/4" Axle	7290	383, 426, 440	A727, A833	52.07"	3 1/4"	2996 162
	W, w/8 1/4" Axle	7260	318	A904	56.83"	3"	2883 563
	P, except Sta. Wgn., w/8 3/4" Axle	7260	225, 318	A903, A904	58.12"	2 3/4"	2852 150
	P, except Sta. Wgn., w/8 3/4" Axle	7260	225	A727	54.13"	2 3/4"	2660 687
	P, except Sta. Wgn., w/8 3/4" Axle, Police and Taxi	7260	225	A745	54.13"	3"	2852 151
	P, Sta. Wgn., w/8 3/4" Axle, Police	7260	225	A727, A745	56.17"	3"	2852 154
	P, except Sta. Wgn., w/8 3/4" Axle	7260	318	A745	54.13"	3"	2852 151
	P, Sta. Wgn., w/8 3/4" Axle	7260	318	A727, A745	56.17"	3"	2852 154
	P, Sta. Wgn., 8 3/4" Axle	7260	318, 383	A727, A745	56.17"	3 1/4"	2996 621
	P, Sta. Wgn., w/8 3/4" Axle	7260	225	A904, A903	60.16"	3"	2996 604
	P, except Sta. Wgn., w/8 3/4" Axle	7260	318	A904	58.17"	3 1/4"	2996 559
	P, Police, Taxi and Trailer Tow	7260	318	A727	54.13"	3 1/4"	2996 619
	P, except Sta. Wgn., w/8 3/4" Axle, Police Taxi and Trailer Tow	7260	318	A727, A745	54.13"	3"	2852 151
	P, except Sta. Wgn., w/8 3/4" Axle	7260	318	A904	58.17"	3 1/4"	# 2996 559

TYPE LETTERS Indicates

B - Barracuda

V - Valiant
L - DartR - Belvedere
W - CoronetP - Plymouth
D - DodgeC - Chrysler
Y - Imperial

AR Indicates use as required.

Indicates parts not listed in any previous parts book.

Numerals in parentheses () refer to notes.

★ Indicates change or addition.

Printed in U.S.A.
January 1971

16-02-0 PROPELLER SHAFT - Cont'd

CODE	MODEL	TYPE	CU. IN. ENG.	TRANSMISSION	LENGTH	DIA.	PART NO.
16-02-1	SHAFT - Cont'd						
	P, Sta. Wgn., Police and Trailer Tow	7260	318	A727	56.17"	3 1/4"	2996 621
	P, except Sta. Wgn., w/8 3/4" Axle	7260	318, 383	A727	54.13"	3 1/4"	2996 619
	P, except Sta. Wgn., w/8 3/4" Axle	7260	383	A745	54.13"	2 3/4"	2660 687
	P, Sta. Wgn.	7260	383	A727	56.17"	3 1/4"	2996 621
	P, Sta. Wgn., w/8 3/4" Axle	7290	383, 440	A727	55.68"	3 1/4"	2852 227
	P, except Sta. Wgn., w/8 3/4", 9 1/4" Axle	7290	383, 440	A833	53.64"	3"	2852 164
	P, Sta. Wgn., w/8 3/4", 9 1/4" Axle	7290	383, 318	A745	55.68"	3"	2852 165
	P, Sta. Wgn.	7290	383, 440	A727	55.68"	3 1/4"	2996 227
	P, except Sta. Wgn., w/8 3/4" Axle	7290	383, 440	A727	53.64"	3 1/4"	2996 195
	P, Sta. Wgn.	7290	225, 318	A903, A904	60.16"	3 1/4"	2883615
	D	7260	318	A727, A745	56.17"	3"	2852 154
	D	7260	383	A745	56.17"	3"	2852 154
	D	7260	318, 383	A727	56.17"	3 1/4"	2996 621
	D, Police	7260	318	A745	56.67"	3"	2781 951
	D, Police	7260	383	A727	56.67"	3"	2781 951
	D	7290	383, 440	A727	56.43"	3"	2852 166
	D	7290	383, 440	A833	55.68"	3"	2852 165
	D, except Sta. Wgn., w/8 1/4" Axle	7260	318	A727	56.83"	3 1/4"	2996 951
	D	7290	383, 440	A727	55.68"	3 1/4"	2852 227
	D	7290	383, 440	A727	55.68"	3 1/4"	2996 227
	D, except Sta. Wgn.	7290	383, 440	A727	56.43"	3 1/4"	# 3467 166
	D, All	7260	318, 383	A727, A745	56.67"	3 1/4"	2781 951
	D1, 8 3/4" Axle, Canada Built	7260	225	A903, A904	60.16"	3 1/4"	2883 604
	C, except Sta. Wgn.	7260	383	A727, A745	58.17"	3 1/4"	2996 199
	C, Sta. Wgn.	7260	383	A727	56.17"	3 1/4"	2996 621
	C, except Sta. Wgn.	7290	383, 440	A727	57.93"	3 1/4"	2996 222
	C, Sta. Wgn.	7290	383, 440	A727	55.68"	3 1/4"	2996 227
	Y		440	A727	52.57"	3 1/4"	2852 118

NOTES

TYPE LETTERS Indicates B - Barracuda V - Valiant L - Dart R - Belvedere W - Coronet P - Plymouth D - Dodge C - Chrysler Y - Imperial

AR Indicates use as required.
= Indicates parts not listed in any previous parts book.

Numerals in parentheses () refer to notes.
★ Indicates change or addition.

Printed in U.S.A.
January 1971

CODE	PART NAME	ENG. TYPE OR CU.IN.	V	B	L	R	W	P	D	C	C	C	Y	PART NUMBER
			1-2	1-2	1-2	1-2	1-2	1-2	1-2	1	2	3	1	
16-02-0 PROPELLER SHAFT - Cont'd														
16-02-5	SCREW, Propeller Shaft, Axle End, 1/4" - 28 x 5/8"	All	4	4	4	4	4	4	4	4	4	4	4	2460 883
16-03-0 UNIVERSAL JOINT														
16-03-1	CROSS and ROLLER PACKAGE, for 7260 U-Joint	2	2	2	2	2	2	2	2	2	2	—	—	1752 624
	CROSS and BUSHING KIT, for 7290 U-Joint	8	AR	AR	AR	AR	AR	AR	AR	AR	AR	AR	—	2852 175
	CROSS and NEEDLE BEARING KIT, for 1330 U-Joint	8	—	—	—	—	—	—	—	—	—	—	AR	2533 202
16-08-0 UNIVERSAL JOINT CROSS														
16-08-6	SEAL, Dust, for 7290 U-Joint w/7260 U-Joint		AR	AR	AR	AR	AR	AR	AR	AR	AR	AR	—	2781 947 857 999
16-08-7	RETAINER, Seal		AR	AR	AR	AR	AR	AR	AR	AR	AR	AR	—	1739 912
16-10-0 UNIVERSAL JOINT CROSS ROLLER AND BUSHING														
16-10-1	ROLLER, w/BUSHING, w/A727 and A833 Trans.	8	AR	AR	AR	AR	AR	AR	AR	AR	AR	AR	—	2781 944 1739 913
	Except A727 and A833 Trans.	8	AR	AR	AR	AR	AR	AR	AR	AR	AR	AR	—	2781 923
16-10-2	RETAINER, Bushing, w/7290 U-Joint w/7260 U-Joint	8	AR	AR	AR	AR	AR	AR	AR	AR	AR	AR	—	858 006 604 593
		8	—	—	—	—	—	—	—	—	—	—	AR	1828 824
16-10-3	CLAMP, w/2781944 Roller w/1739913 Roller	8	2	2	2	2	2	2	2	2	2	2	—	2781 904
		8	2	2	2	2	2	2	2	2	2	2	—	
16-14-0 UNIVERSAL JOINT SLIP SPLINE YOKE														
	YOKE, 1 1/4" I.D., 25 Teeth, 26 Index Teeth, Trans. End		1	1	1	1	1	1	—	—	—	—	—	2530 894
	1 7/16" I.D., 29 Teeth, 30 Index Teeth, V, B, L, Export		1	1	1	1	1	1	1	1	1	1	—	2660 669
	1 7/16" I.D., 29 Teeth, 30 Index Teeth	8	1	1	1	1	1	1	1	1	1	1	—	2781 932
	w/GASKET and PLUG	8	—	—	—	—	—	—	—	—	—	—	1	2781 901
	w/o GASKET and PLUG	8	—	—	—	—	—	—	—	—	—	—	1	2460 929
16-20-0 PROPELLER SHAFT YOKE OR FLANGE														
16-20-1	YOKE PACKAGE, Axle Drive Pinion, w/Manual Trans	426	—	—	—	1	1	—	—	—	—	—	—	3004 604
	YOKE PACKAGE, Axle Drive Pinion, w/Manual Trans	440	—	—	—	1	1	1	1	—	—	—	—	3004 604
	YOKE PACKAGE, Axle Drive Pinion, w/Auto. Trans. w/7290 U-Joint	8	1	1	1	1	1	1	1	1	1	1	—	3004 873
	YOKE, Axle Drive Pinion	8	—	—	—	—	—	—	—	—	—	—	1	2931 813
	FLANGE PACKAGE, Axle Drive Pinion, w/7260 U-Joint		1	1	1	1	1	1	1	1	1	1	—	2808 365
	YOKE PACKAGE, Axle Drive Pinion, CANADA Built		—	—	—	—	—	1	1	—	—	—	—	3004 605
16-20-2	WASHER, Flange, except 426, 440 Eng.		1	1	1	1	1	1	1	1	1	1	—	1556 556
	w/426, 440 Eng		—	—	—	1	1	—	—	—	—	—	—	1795 175
		440	—	—	—	—	—	1	1	1	1	1	—	2643 250
	w/A833 Trans., w/Sure-Grip Axle	440	—	—	—	—	—	1	1	1	1	1	—	2643 250
			—	—	—	—	—	—	—	—	—	—	1	1556 556
	Axle Drive Pinion Yoke	318	—	—	—	1	1	1	1	—	—	—	—	2070 117
	Axle Drive Pinion Yoke.		—	—	—	—	—	1	1	—	—	—	—	2467 256
	Canada Built		—	—	—	—	—	—	—	—	—	—	—	6027 323
16-20-3	NUT, Flange, except, 426, 440 Eng. w/426, 440 Eng.		1	1	1	1	1	1	1	—	—	—	—	1795 175
			—	—	—	1	1	1	1	1	1	1	—	6027 323
			—	—	—	—	—	—	—	—	—	—	1	6027 323
16-20-7	SHIM, Axle Drive Pinion Yoke		1	1	1	1	1	1	1	1	1	1	1	# 2931 803
TYPE LETTERS Indicates			V - Valiant	B - Barracuda	L - Dart	R - Belvedere	W - Coronet	P - Plymouth	D - Dodge	C - Chrysler	C - Chrysler	C - Chrysler	Y - Imperial	

AR Indicates use as required.

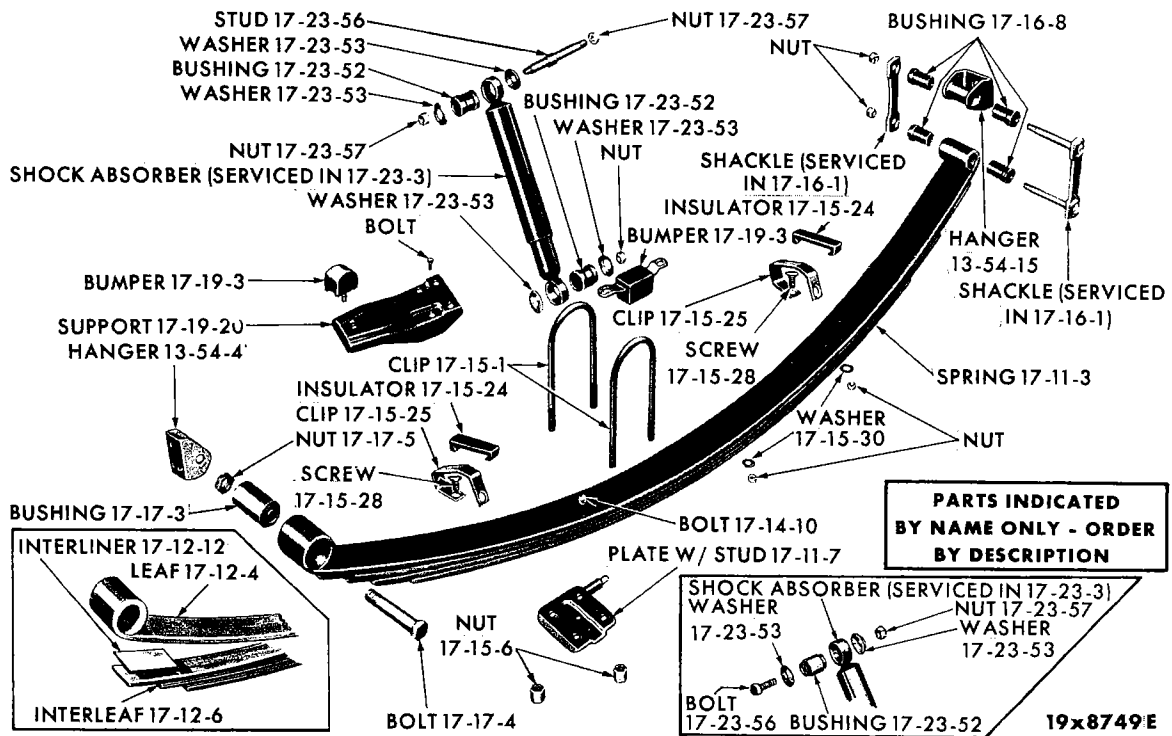
= Indicates parts not listed in any previous parts book.

Numerals in parentheses () refer to notes.

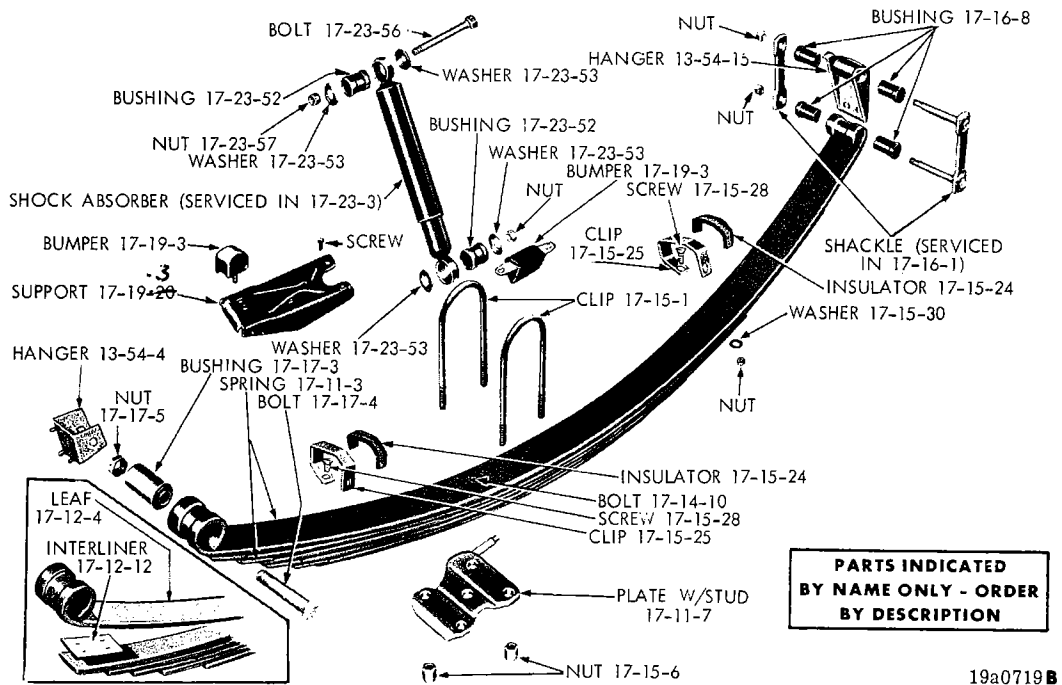
★ Indicates change or addition.

Printed in U.S.A.
January 1971

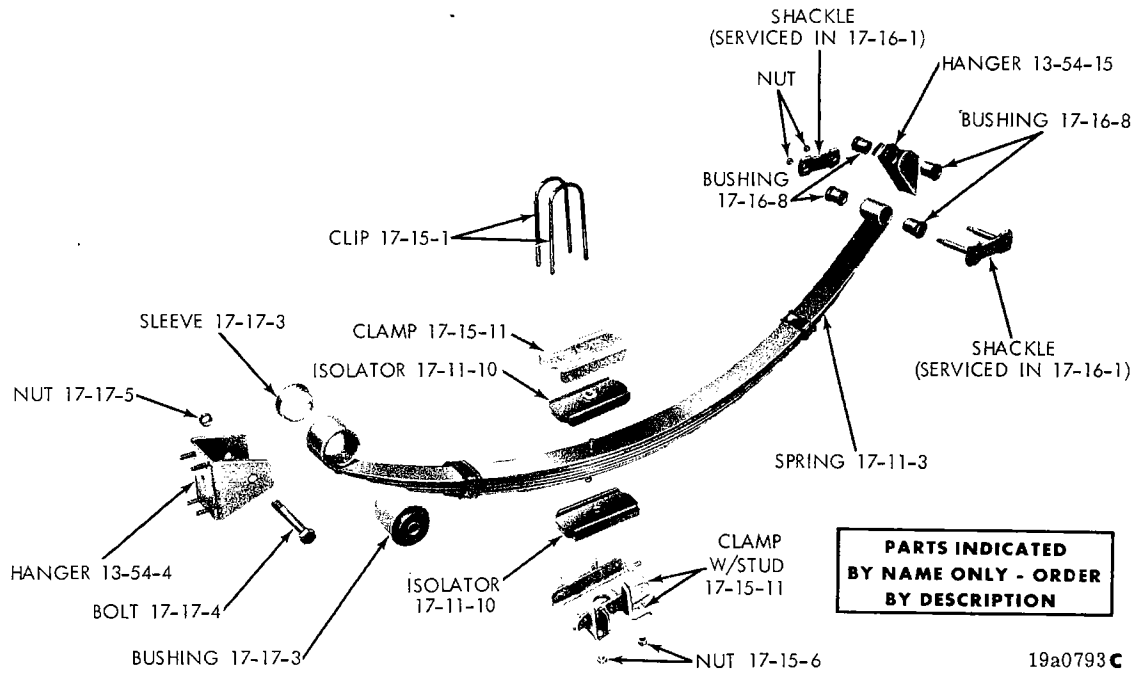
GROUP 17 - SPRINGS



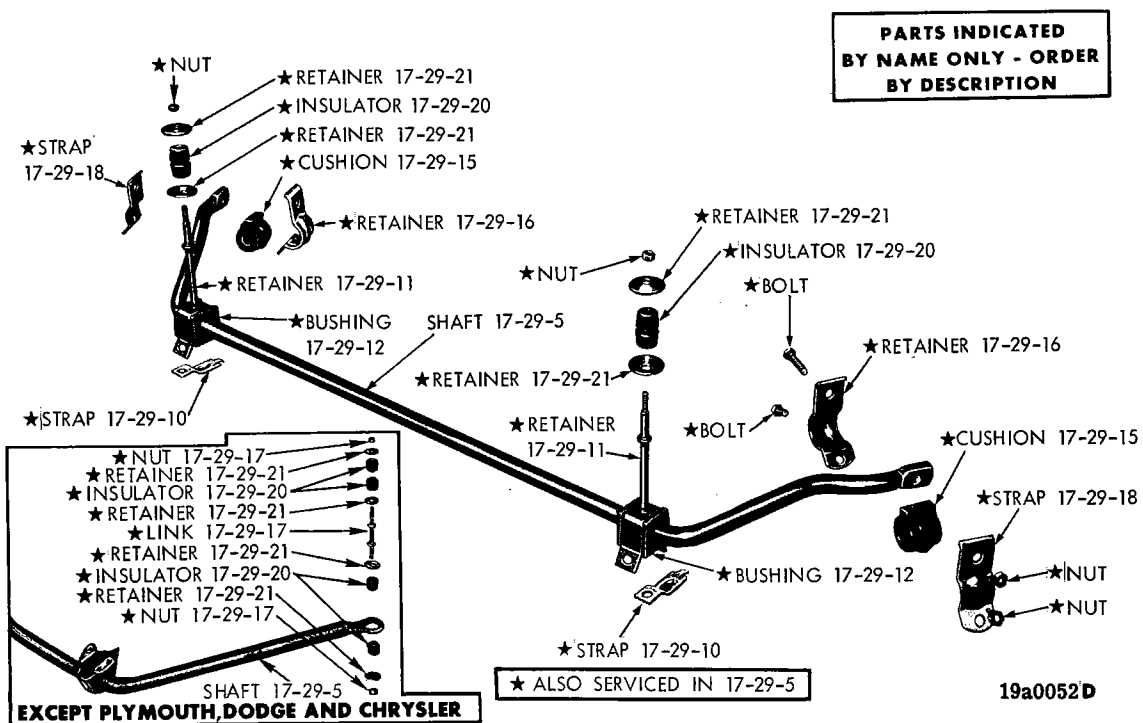
REAR SPRING - VALIANT, BARRACUDA, DART, BELVEDERE AND CORONET



REAR SPRING - PLYMOUTH, DODGE AND CHRYSLER



REAR SPRING - IMPERIAL



SWAY BAR - PLYMOUTH, DODGE AND CHRYSLER

CODE	PART NAME	ENG. TYPE OR CU.IN.	V	B	L	R	W	P	D	C	C	C	Y	PART NUMBER
			1-2	1-2	1-2	1-2	1-2	1-2	1-2	1	2	3	1	
17-11-0 REAR SPRING														
STANDARD														
17-11-3	SPRING, w/BUSHING, 170 Eng	6	2	2	2	—	—	—	—	—	—	—	—	3004 580
	226 Eng	6	2	—	2	—	—	—	—	—	—	—	—	3004 581
	2 D. H.T., 225 Eng	6	—	2	—	—	—	—	—	—	—	—	—	3004 582
	Cv. Cp., Fast Back, 225 Eng.	6	—	2	—	—	—	—	—	—	—	—	—	3004 585
	273 Eng.	8	2	—	2	—	—	—	—	—	—	—	—	3004 583
	318, 340 Eng.	8	2	—	2	—	—	—	—	—	—	—	—	★3004 584
	318, 340 Eng.	8	—	2	—	—	—	—	—	—	—	—	—	★3004 588
	383 Eng.	8	—	2	2	—	—	—	—	—	—	—	—	★2808 677
	2 D., 2 D. H.T.	6	—	—	—	2	2	—	—	—	—	—	—	3004 651
	Cv. Cp.	6	—	—	—	2	—	—	—	—	—	—	—	3004 652
	4 D	6	—	—	—	2	2	—	—	—	—	—	—	★3004 766
	Police and Taxi, 2 D., 4 D	6	—	—	—	2	2	—	—	—	—	—	—	3004 655
	Charger, 225, 318, 383 Eng		—	—	—	—	2	—	—	—	—	—	—	3004 655
	Charger, w/Soft Rate Suspension, 225, 318 eng.	8	—	—	—	—	2	—	—	—	—	—	—	3004 653
	2 D., 2 D. H.T., 318, 383 Eng.	8	—	—	—	2	2	—	—	—	—	—	—	★3004 766
	Cv. Cp., 318, 383 Eng.	8	—	—	—	2	2	—	—	—	—	—	—	3004 654
	4 D., 318, 383 Eng.	8	—	—	—	2	2	—	—	—	—	—	—	3420 116
	Taxi	8	—	—	—	2	2	—	—	—	—	—	—	*2585 641
	R-M, W-M, 383 Eng., 2 bbl. Carb.	8	—	—	—	2	2	—	—	—	—	—	—	2585 640
	R-M, W-M, 383 Eng., 4 bbl. Carb.	8	—	—	—	2	2	—	—	—	—	—	—	2585 641
	Police, 2 D., 4 D.	8	—	—	—	2	2	—	—	—	—	—	—	3004 767
	426, 440 Eng., Rt	8	—	—	—	1	1	—	—	—	—	—	—	★2808 366
	426, 440 Eng., Lt	8	—	—	—	1	1	—	—	—	—	—	—	★2808 367
	Police, Sta. Wgn.		—	—	—	2	2	—	—	—	—	—	—	2585 644
	Sta. Wgn., 2 Seat		—	—	—	2	2	—	—	—	—	—	—	3004 592
	Sta. Wgn., 3 Seat		—	—	—	2	2	—	—	—	—	—	—	3004 593
	2 D., 4 D., P-E, P-L, 225, 318, 383 Eng		—	—	—	—	—	2	—	—	—	—	—	★3004 656
	2 D.H.T., 4 D, P-M, P-H, 225, 318, 383 Eng.		—	—	—	—	—	2	—	—	—	—	—	★3004 656
	Taxi		—	—	—	—	—	2	—	—	—	—	—	★3004 657
	Police, 2 D., 4 D.	6	—	—	—	—	—	2	—	—	—	—	—	★3004 657
	Cv. Cp., 4 D. H.T., P-M, P-H, P-P, 318, 383 Eng.	8	—	—	—	—	—	2	—	—	—	—	—	★3004 656
	2 D., 4 D., P-E, P-L, 440 Eng.	8	—	—	—	—	—	2	—	—	—	—	—	★3004 657
	Except Sta. Wgn., P-M, P-H, P-P, 440 Eng.	8	—	—	—	—	—	2	—	—	—	—	—	★3004 657
	Police, 2 D., 4 D.	8	—	—	—	—	—	2	—	—	—	—	—	2808 535
	Police, Sta. Wgn., Rt.		—	—	—	—	—	1	—	—	—	—	—	★2585 227
	Lt.		—	—	—	—	—	1	—	—	—	—	—	★2585 622
	Sta. Wgn., 2 Seat, Rt.		—	—	—	—	—	1	—	—	—	—	—	★3004 594
	Lt.		—	—	—	—	—	1	—	—	—	—	—	★3004 595
	Sta. Wgn., 3 Seat, Rt.		—	—	—	—	—	1	—	—	—	—	—	★3004 595
	Lt.		—	—	—	—	—	1	—	—	—	—	—	★3004 596
	2 D. H.T., 4 D., D-L, D-M, 318, 383 Eng., 2 D. H.T., D-H, 383 Eng.	8	—	—	—	—	—	—	2	—	—	—	—	3420 114
	Cv. Cp., 4 D. H.T., D-L, D-M, 318, 383 Eng., 4 D., 4 D. H.T., D-H, 383 Eng.	8	—	—	—	—	—	—	2	—	—	—	—	3420 115
	Police, All	8	—	—	—	—	—	—	2	—	—	—	—	2585 399
	Taxi, All	8	—	—	—	—	—	—	2	—	—	—	—	2585 240
	Except Sta. Wgn., 440 Eng.	8	—	—	—	—	—	—	2	—	—	—	—	2585 240
	Sta. Wgn., 2 Seat, Rt.	8	—	—	—	—	—	—	1	—	—	—	—	★3004 594
	Lt.	8	—	—	—	—	—	—	1	—	—	—	—	★3004 595
	Sta. Wgn., 3 Seat, Rt.	8	—	—	—	—	—	—	1	—	—	—	—	★3004 595

TYPE LETTERS Indicates B - Barracuda V - Valiant L - Dart R - Belvedere W - Coronet P - Plymouth D - Dodge C - Chrysler Y - Imperial

AR Indicates use as required. Numerals in parentheses () refer to notes. Printed in U.S.A. # Indicates parts not listed in any previous parts book. ★ Indicates change or addition. January 1971

CODE	PART NAME	ENG. TYPE OR CU.IN.	V	B	L	R	W	P	D	C	C	C	Y	PART NUMBER
			1-2	1-2	1-2	1-2	1-2	1-2	1-2	1	2	3	1	
17-11-0 REAR SPRING Cont'd.														
17-11-3	SPRING Cont'd.													
	Sta. Wgn., 3 Seat, Lt	9	—	—	—	—	—	—	1	—	—	—	—	★3004 596
	Except Sta. Wgn., 383 Eng.	8	—	—	—	—	—	—	—	2	2	2	—	3420 114
	CE, C-L, C-M, 440 Eng., w/High Performance	8	—	—	—	—	—	—	—	2	2	—	—	★2585 234
	C-M, CV. CP., 4 D. H.T., 440 Eng., w/o High Performance	8	—	—	—	—	—	—	—	—	2	—	—	★3420 112
	C-M, C-H, 2 D. H.T., 440 Eng., w/o High Performance	8	—	—	—	—	—	—	—	—	2	2	—	3514 964
	Sta. Wgn., 2 Seat, Rt.	8	—	—	—	—	—	—	—	—	—	1	—	★3004 594
	Lt.	8	—	—	—	—	—	—	—	—	—	1	—	★3004 595
	Sta. Wgn., 3 Seat, Rt.	8	—	—	—	—	—	—	—	—	—	1	—	★3004 595
	Sta. Wgn., 3 Seat, Lt	8	—	—	—	—	—	—	—	—	—	1	—	★3004 596
	2 D. H.T.,	8	—	—	—	—	—	—	—	—	—	—	2	3420 107
	4D., 4D.H.T.	8	—	—	—	—	—	—	—	—	—	—	2	3420 106
HEAVY DUTY														
	V, L	6	2	—	2	—	—	—	—	—	—	—	—	★3004 584
	B	6	—	2	—	—	—	—	—	—	—	—	—	★3004 588
	273, 318, 340 Eng.	8	2	—	2	—	—	—	—	—	—	—	—	★3004 584
	318, 340 Eng.	8	—	2	—	—	—	—	—	—	—	—	—	★3004 588
	383 Eng.	8	—	2	2	—	—	—	—	—	—	—	—	★2808 677
	2 D. H.T., 2 D., 4 D.	6	—	—	—	2	2	—	—	—	—	—	—	3004 655
	Cv. Cp.	6	—	—	—	2	—	—	—	—	—	—	—	2585 640
	Cv. Cp., 318, 383 Eng.	8	—	—	—	2	2	—	—	—	—	—	—	2585 642
	2 D., 2 D.H.T., 4 D., 318 383 Eng.	8	—	—	—	2	2	—	—	—	—	—	—	2585 641
	Extreme Duty, 318, 383 Eng., 2 Bbl. Carb.	8	—	—	—	2	2	—	—	—	—	—	—	3004 767
	Extreme Duty, 383 Eng., 4 Bbl. Carb.	8	—	—	—	1	1	—	—	—	—	—	—	2808 366-7
	Sta. Wgn., 2 Seat	—	—	—	—	2	2	—	—	—	—	—	—	2585 644
	Except Sta. Wgn., 383 eng.	8	—	—	—	—	—	—	—	2	2	2	—	2585 240
	Sta. Wgn., 3 Seat	—	—	—	—	2	2	—	—	—	—	—	—	2585 645
	Except Sta. Wgn., 225, 318, 383 Eng.	—	—	—	—	—	—	2	—	—	—	—	—	3004 657
	Sta. Wgn	—	—	—	—	—	—	—	1	—	—	—	—	2585 226-7
	Extreme Duty	—	—	—	—	—	—	2	—	—	—	—	—	2808 535
	Except Sta. Wgn., 318, 383 Eng.	8	—	—	—	—	—	—	2	—	—	—	—	2585 240
	Sta. Wgn., Rt.	8	—	—	—	—	—	—	1	—	—	—	—	2585 227
	Sta. Wgn., Lt	8	—	—	—	—	—	—	1	—	—	—	—	2585 622
	Extreme Duty	8	—	—	—	—	—	—	2	—	—	—	—	2585 399
	Except Sta. Wgn., 383 Eng.	8	—	—	—	—	—	—	—	2	2	2	—	2585 240
	440 Eng.	8	—	—	—	—	—	—	—	—	—	2	—	2585 240
	440 Eng.	8	—	—	—	—	—	—	—	—	—	2	—	★2585 234
	Sta. Wgn., Rt.	8	—	—	—	—	—	—	—	—	—	1	—	2585 227
	Sta. Wgn., Lt.	8	—	—	—	—	—	—	—	—	—	1	—	2585 622
	All	8	—	—	—	—	—	—	—	—	—	—	2	3420 108
17-11-7	PLATE w/STUD STD.		1	1	1	1	1	—	—	—	—	—	—	2071 766-7
	Heavy Duty		1	1	1	1	1	—	—	—	—	—	—	1856 346-7
	All		—	—	—	—	—	1	1	1	1	1	—	1856 346-7
	Heavy Duty Only	8	—	—	—	—	—	—	—	—	—	—	1	1856 346-7
	Nut, Stud		2	2	2	2	2	2	2	2	2	2	2	120 371
17-11-10	ISOLATOR	8	—	—	—	—	—	—	—	—	—	—	4	2403 456
17-11-14	PILOT, Spring to Spring Seat		—	—	—	—	—	—	—	—	—	—	2	2834 797
	Spacer, Heavy Duty	8	—	—	—	—	—	—	—	—	—	—	4	2403 462
17-11-31	SPACER, Spring Center, Std.	8	—	—	—	—	—	—	—	—	—	—	2	2834796
	Heavy Duty	8	—	—	—	—	—	—	—	—	—	—	2	2834796
17-11-40	BRACKET, Front Bracket Support		—	—	—	—	—	—	—	—	—	—	—	—
	Front, 383 Eng., 4 bbl. Carb	8	—	1	1	—	—	—	—	—	—	—	—	2841 578-9
	Rear	8	—	2	2	—	—	—	—	—	—	—	—	2841 442

TYPE LETTERS Indicates

B - Barracuda

V - Valiant
L - DartR - Belvedere
W - CoronetP - Plymouth
D - DodgeC - Chrysler
Y - Imperial

AR Indicates use as required.

Indicates parts not listed in any previous parts book.

Numerals in parentheses () refer to notes.

★ Indicates change or addition.

Printed in U.S.A.

January 1971

CODE	PART NAME	ENG. TYPE OR CU.IN.	V	B	L	R	W	P	D	C	C	C	Y	PART NUMBER
			1-2	1-2	1-2	1-2	1-2	1-2	1	2	3	1		
17-12-0 REAR SPRING LEAF														
STANDARD														
17-12-4	LEAF, w/BUSHING, Main, 170 Eng	6	2	—	2	—	—	—	—	—	—	—	—	3004 589
	170 Eng., Export only	6	—	2	—	—	—	—	—	—	—	—	—	3004 589
	225 Eng	6	2	2	2	—	—	—	—	—	—	—	—	3004 590
	Except 383 Eng.	8	2	2	2	—	—	—	—	—	—	—	—	2808 532
	383 Eng	8	—	2	2	—	—	—	—	—	—	—	—	2808 678
	Except 426, 440 Eng	8	—	—	—	2	2	—	—	—	—	—	—	3004 659
	426, 440 Eng.	8	—	—	—	2	2	—	—	—	—	—	—	2808 253
	Charger	8	—	—	—	—	2	—	—	—	—	—	—	2585 648
	Charger, 318, 383 Eng.	8	—	—	—	—	2	—	—	—	—	—	—	3004 659
	w/Reduced Rate Suspension	8	—	—	—	—	2	—	—	—	—	—	—	2585 648
	R-M, W-M	8	—	—	—	2	2	—	—	—	—	—	—	3004 659
	Sta. Wgn	6	—	—	—	2	2	—	—	—	—	—	—	2585 648
	Police, 2 D., 4 D.	8	—	—	—	2	2	—	—	—	—	—	—	2808 253
	Police, 2 D., 4 D.	8	—	—	—	2	2	—	—	—	—	—	—	2585 648
	Police, Sta. Wgn	8	—	—	—	2	2	—	—	—	—	—	—	2585 648
	Taxi	8	—	—	—	2	2	—	—	—	—	—	—	2585 648
	Except 440 eng., Except Sta. Wgn.	8	—	—	—	—	—	2	—	—	—	—	—	2948 398
	440 Eng.	8	—	—	—	—	—	2	—	—	—	—	—	2808 538
	Sta. Wgn., all	6	—	—	—	—	—	2	—	—	—	—	—	2585 651
	Police, 2D., 4D.	8	—	—	—	—	—	2	—	—	—	—	—	2808 538
	Police, 2D., 4D.	8	—	—	—	—	—	2	—	—	—	—	—	2808 539
	Taxi	8	—	—	—	—	—	2	—	—	—	—	—	2808 538
	Except Sta. Wgn., 318, 383 Eng.	8	—	—	—	—	—	—	2	—	—	—	—	2948 400
	Except Sta. Wgn., 440 Eng.	8	—	—	—	—	—	—	2	—	—	—	—	2808 547
	Sta. Wgn., all	8	—	—	—	—	—	—	2	—	—	—	—	2585 651
	Police, 2D., 4D.	8	—	—	—	—	—	—	2	—	—	—	—	2808 256
	Taxi	8	—	—	—	—	—	—	2	—	—	—	—	2808 547
	Except Sta. Wgn., 383 Eng.	8	—	—	—	—	—	—	—	2	2	2	—	2948 400
	Sta. Wgn., All	8	—	—	—	—	—	—	—	2	—	—	—	2585 651
	440 Eng.	8	—	—	—	—	—	—	—	—	2	2	—	2585 651
	440 Eng., w/H/Perf	8	—	—	—	—	—	—	—	2	2	2	—	2808 547
	All	8	—	—	—	—	—	—	—	—	—	—	2	2808 648
HEAVY DUTY														
	Except 383 Eng.	8	2	2	2	—	—	—	—	—	—	—	—	2808 532
	383 Eng.	8	—	2	2	—	—	—	—	—	—	—	—	2808 678
	Except 426, 440 Eng.	8	—	—	—	2	2	—	—	—	—	—	—	2585 648
	426, 440 Eng.	8	—	—	—	2	2	—	—	—	—	—	—	2808 253
	Extreme Duty	8	—	—	—	2	2	—	—	—	—	—	—	2808 253
	Except Sta. Wgn.	8	—	—	—	—	—	2	—	—	—	—	—	2808 538
	Sta. Wgn	8	—	—	—	—	—	2	—	—	—	—	—	2585 651
	Extreme Duty	8	—	—	—	—	—	2	—	—	—	—	—	2808 539
	Except Sta. Wgn., 318, 383 Eng.	8	—	—	—	—	—	—	2	—	—	—	—	2808 547
	Sta. Wgn.	8	—	—	—	—	—	—	—	—	—	2	—	2585 249
	Extreme Duty	8	—	—	—	—	—	—	2	—	—	—	—	2808 256
	Except Sta. Wgn.	8	—	—	—	—	—	—	—	2	2	2	—	2808 547
	Sta. Wgn	8	—	—	—	—	—	—	—	2	—	—	—	2585 249
	Y, All	8	—	—	—	—	—	—	—	—	—	—	2	2585 651
17-12-6	INTERLEAF		AR	AR	AR	AR	AR	AR	AR	AR	AR	AR	AR	2539 512
17-12-12	INTERLINER		AR	AR	AR	AR	AR	AR	AR	AR	AR	AR	AR	2539 086

17-14-0 REAR SPRING CENTER BOLT

17-14-10	BOLT	AR	AR	AR	AR	AR	AR	AR	AR	AR	AR	AR	AR	1944 361
		2	—	—	—	—	—	—	—	—	—	—	AR	3400618

TYPE LETTERS Indicates B - Barracuda V - Valiant R - Belvedere P - Plymouth C - Chrysler
 L - Dart W - Coronet D - Dodge Y - Imperial

AR Indicates use as required. Numerals in parentheses () refer to notes. Printed in U.S.A.
 # Indicates parts not listed in any previous parts book. ★ Indicates change or addition. January 1971

CODE	PART NAME	ENG. TYPE OR CU.IN.	V	B	L	R	W	P	D	C	C	C	Y	PART NUMBER
			1-2	1-2	1-2	1-2	1-2	1-2	1-2	1	2	3	1	
17-15-0 REAR SPRING CLIP														
17-15-1	CLIP, 5 3/4" lgh		4	4	4	4	4	—	—	—	—	—	—	2834 928
	7" lgh		4	4	4	4	4	4	4	4	4	4	—	3491 296
	8 1/2" lgh.	8	—	—	—	—	—	—	—	—	—	—	4	2539 764
17-15-6	NUT, Clip		8	8	8	8	8	8	8	8	8	8	8	6023 019
17-15-11	CLAMP, Shock Spring Isolator, w/o Stud,	Upper	8	—	—	—	—	—	—	—	—	—	2	2834 841
	w/STUD,	Lower	8	—	—	—	—	—	—	—	—	—	1	2834 842-3
17-15-24	INSULATOR, Alignment Clip		AR	AR	AR	AR	AR	AR	AR	AR	AR	AR	AR	1829 929
17-15-25	CLIP and CLAMP PACKAGE		AR	AR	AR	AR	AR	AR	AR	AR	AR	AR	AR	2808 399
17-15-28	SCREW, Alignment Clip		—	—	—	—	—	4	4	4	4	4	4	1485 510
17-15-30	WASHER, Alignment Clip Screw		—	—	—	—	—	4	4	4	4	4	4	1530 398
17-16-0 REAR SPRING SHACKLE														
17-16-1	SHACKLE and BUSHING PACKAGE		2	2	2	—	—	—	—	—	—	—	—	3004 822
	Except Sta. Wgn		—	—	—	2	2	—	—	—	—	—	—	3004 823
	Sta. Wgn		—	—	—	2	2	—	—	—	—	—	—	3004 824
	Except Sta. Wgn.		—	—	—	—	—	2	2	2	2	2	—	3004 825
	Sta. Wgn.		—	—	—	—	—	2	2	2	—	—	—	3004 826
	Std.	8	—	—	—	—	—	—	—	—	—	—	2	3004 827
	Heavy Duty	8	—	—	—	—	—	—	—	—	—	—	2	3004 825
17-16-8	BUSHING, Shackle Pivot		8	8	8	—	—	—	—	—	—	—	—	1940 725
	Std.	8	—	—	—	8	8	8	8	8	8	8	—	1400 269
	H.D.	8	—	—	—	—	—	—	—	—	—	—	8	2403 154
		8	—	—	—	—	—	—	—	—	—	—	8	1400 269
17-17-0 REAR SPRING SILENT BLOCK														
17-17-3	BUSHING, Front Pivot, Std	6	2	2	2	—	—	—	—	—	—	—	—	2539 127
	Heavy Duty	6	2	2	2	—	—	—	—	—	—	—	—	1948 869
	Except 383 Eng.	8	2	2	2	—	—	—	—	—	—	—	—	1948 869
	383 Eng.	8	—	2	2	—	—	—	—	—	—	—	—	2403 245
	Except 426, 440 Eng.		—	—	—	2	2	—	—	—	—	—	—	1948 869
	426, 440 Eng.	8	—	—	—	2	2	—	—	—	—	—	—	2403 245
	All		—	—	—	—	—	2	2	2	2	2	2	1948 869
	Police		—	—	—	2	2	2	2	—	—	—	—	2403 245
	Taxi		—	—	—	2	2	2	2	—	—	—	—	1948 869
	Extreme Duty		—	—	—	2	2	2	2	—	—	—	—	2403 245
17-17-4	BOLT, Front Pivot Bushing, Std	6	2	2	2	—	—	—	—	—	—	—	—	192 202
	Heavy Duty		2	2	2	—	—	—	—	—	—	—	—	1948 876
	All		—	—	—	2	2	2	2	2	2	2	2	1948 876
17-17-5	NUT, Front Pivot Bolt, Std	6	2	2	2	—	—	—	—	—	—	—	—	6023 019
	Heavy Duty		2	2	2	—	—	—	—	—	—	—	—	1948 877
			—	—	—	2	2	2	2	2	2	2	2	1948 877
17-19-0 REAR SPRING BUMPER														
17-19-3	BUMPER, Rear Axle Pinion Carrier, w/o Support		1	1	1	1	1	1	1	1	1	1	1	2403 906
	w/Support		1	1	1	—	—	—	—	—	—	—	—	3400 568
	w/Support, 225, 383, 440 Eng.		—	—	—	1	1	1	1	1	1	1	1	3400 568
	w/Support, 318 Eng., w/8 1/4" Axle	8	—	—	—	1	1	1	1	—	—	—	—	3400 566
	w/Support, 318 Eng., w/ 8 3/4" Axle	8	—	—	—	1	1	1	1	—	—	—	—	3400 568
	w/Support, 426 Eng., and 440 Eng., w/H/Perf.	8	—	—	—	1	1	1	1	—	—	—	—	2539 971
	BUMPER, Side Rail Rear Axle, except Cv. Cp		2	2	2	—	—	—	—	—	—	—	—	2834 929
	CV. CP.		—	2	2	—	—	—	—	—	—	—	—	2834 930
	Except Cv. Cp.		—	—	—	2	2	—	—	—	—	—	—	2834 933
	Cv. Cp.		—	—	—	2	2	—	—	—	—	—	—	2834 932
	426, 440 Eng	8	—	—	—	2	2	—	—	—	—	—	—	2834 934

TYPE LETTERS Indicates

B - Barracuda

V - Valiant
L - DartR - Belvedere
W - CoronetP - Plymouth
D - DodgeC - Chrysler
Y - Imperial

AR Indicates use as required.

Indicates parts not listed in any previous parts book.

Numerals in parentheses () refer to notes.

★ Indicates change or addition.

Printed in U.S.A.

January 1971

CODE	PART NAME	ENG. TYPE OR CU.IN.	V	B	L	R	W	P	D	C	C	C	Y	PART NUMBER
			1-2	1-2	1-2	1-2	1-2	1-2	1-2	1	2	3	1	
17-19-0 REAR SPRING BUMPER Cont'd.														
17-19-3	BUMPER Cont'd.													
	Except Sta. Wgn.		—	—	—	—	—	2	2	2	2	2	—	2834 915
	Sta. Wgn., w/o Support		—	—	—	—	—	2	2	—	—	2	—	2403 796
	Sta. Wgn., w/Support		—	—	—	—	—	2	2	—	—	2	—	2834 966
	Police, w/PLATE	8	—	—	—	—	—	—	2	—	—	—	—	2834 936
	Taxi	8	—	—	—	—	—	—	2	—	—	—	—	2834 915
	Extreme Duty, w/PLATE	8	—	—	—	—	—	—	2	—	—	—	—	2834 936
	Std., w/PLATE	8	—	—	—	—	—	—	—	—	—	—	2	2834 936
	Heavy Duty, w/o Plate	8	—	—	—	—	—	—	—	—	—	—	2	2834 767
	Heavy Duty, w/PLATE	8	—	—	—	—	—	—	—	—	—	—	2	2834 937
17-19-4	BRACKET, Pinion Carrier Bumper		1	1	1	—	—	—	—	—	—	—	—	2784 470
17-19-20	SUPPORT, Pinion Carrier Bumper		1	1	1	—	—	—	—	—	—	—	—	2403 901
	Except Sta. Wgn.	6	—	—	—	1	1	—	—	—	—	—	—	2462 101
	REINFORCEMENT, Pinion Carrier Bumper		—	—	—	1	1	—	—	—	—	—	—	2841 038
	All		—	—	—	—	—	1	1	1	1	1	1	2841 039
17-19-21	PLATE, Pinion Carrier Bumper Reinforcement, 426 Eng.	8	—	—	—	1	1	—	—	—	—	—	—	2841 264

17-23-0 SHOCK ABSORBER

STANDARD

17-23-3	ABSORBER PACKAGE, Front,													
	Except 340, 383 Eng.	8	2	2	2	—	—	—	—	—	—	—	—	3004 958
	340, 383 Eng.		—	2	2	—	—	—	—	—	—	—	—	3004 959
	Except 426, 440 Eng.	8	—	—	—	2	2	—	—	—	—	—	—	3004 960
	426, 440 Eng.	8	—	—	—	2	2	—	—	—	—	—	—	3004 961
	R-M, W-M	8	—	—	—	2	2	—	—	—	—	—	—	3004 961
	Police and Taxi		—	—	—	2	2	—	—	—	—	—	—	3004 961
	w/o Sway Bar		—	—	—	—	—	2	—	—	—	—	—	3004 777
	w/o Sway Bar	8	—	—	—	—	—	—	2	2	2	2	—	3004 778
	w/Sway Bar		—	—	—	—	—	2	2	2	2	2	—	2525 460
	Police and Taxi		—	—	—	—	—	2	2	—	—	—	—	2525 461
	All	8	—	—	—	—	—	—	—	—	—	—	2	2808 378
	ABSORBER PACKAGE, Rear,													
	Except 340, 383 Eng.	8	2	2	2	—	—	—	—	—	—	—	—	2240 317
	340, 383 Eng.		—	2	2	—	—	—	—	—	—	—	—	2298 912
	R-M, W-M	8	—	—	—	2	2	—	—	—	—	—	—	2585 618
	Except 426, 440 Eng.		—	—	—	2	2	—	—	—	—	—	—	2585 617
	426, 440 Eng.	8	—	—	—	2	2	—	—	—	—	—	—	2585 618
	Police and Taxi		—	—	—	2	2	—	—	—	—	—	—	2585 618
	Except Cv. Cp., and Sta. Wgn		—	—	—	—	—	2	2	2	2	2	—	2585 617
	Cv. Cp. and Sta. Wgn.		—	—	—	—	—	2	2	2	2	2	—	2525 430
	w/Sway Bar		—	—	—	—	—	2	2	2	2	2	—	2525 430
	Police and Taxi		—	—	—	—	—	2	2	—	—	—	—	3400 587
	Y, All	8	—	—	—	—	—	—	—	—	—	—	2	2808 376

HEAVY DUTY

	ABSORBER PACKAGE, Front		2	2	2	—	—	—	—	—	—	—	—	3004 959
			—	—	—	2	2	—	—	—	—	—	—	3004 961
			—	—	—	—	—	2	2	2	2	2	—	2525 461
	All	8	—	—	—	—	—	—	—	—	—	—	2	2808 379
	ABSORBER PACKAGE, Rear		2	2	2	—	—	—	—	—	—	—	—	2298 912
	1" dia.		—	—	—	2	2	—	—	—	—	—	—	2585 618
	1 3/8" dia.		—	—	—	2	2	—	—	—	—	—	—	2585 699
	1" dia.		—	—	—	—	—	2	2	2	2	2	—	2525 432
	1 3/8" dia.		—	—	—	—	—	2	2	2	2	2	—	2948 077
	All	8	—	—	—	—	—	—	—	—	—	—	2	2808 377

TYPE LETTERS Indicates B - Barracuda V - Valiant L - Dart R - Belvedere W - Coronet P - Plymouth D - Dodge C - Chrysler Y - Imperial

AR Indicates use as required.
Indicates parts not listed in any previous parts book.

Numerals in parentheses () refer to notes.
★ Indicates change or addition.

Printed in U.S.A.
January 1971

CODE	PART NAME	ENG. TYPE OR CU.IN.	V	B	L	R	W	P	D	C	C	C	Y	PART NUMBER
			1-2	1-2	1-2	1-2	1-2	1-2	1-2	1	2	3	1	
17-23-0 SHOCK ABSORBER Cont'd.														
17-23-52	BUSHING, Front Shock, Upper Mounting		2	2	2	2	2	2	2	2	2	2	2	2206 923
	Lower Mounting		2	2	2	2	2	—	—	—	—	—	—	1635 588
	Lower Mounting		—	—	—	—	—	2	2	2	2	2	—	2462 104
	Lower Mounting	8	—	—	—	—	—	—	—	—	—	—	2	2462 365
	Rear Shock, Upper Mounting		2	2	2	—	—	—	—	—	—	—	—	1319 902
	Upper Mounting		—	—	—	2	2	2	2	2	2	2	2	2201 554
	Lower Mounting		2	2	2	2	2	2	2	2	2	2	2	1319 902
17-23-53	WASHER, Rear Shock Pivot Bushing, Inner, Rear		AR	AR	AR	AR	AR	AR	AR	AR	AR	AR	AR	1319 555
	Inner, Rear, Extreme Duty		AR	AR	AR	—	—	—	—	—	—	—	—	2403 177
	Outer, Rear		AR	AR	AR	AR	AR	AR	AR	AR	AR	AR	AR	1319 554
	RETAINER, Front Shock, Upper Mounting Bushing		AR	AR	AR	AR	AR	AR	AR	AR	AR	AR	AR	2206 925
17-23-56	STUD, Rear Shock Upper Mounting		2	2	2	—	—	—	—	—	—	—	—	2071-714
	BOLT, Rear Shock Upper Mounting		—	—	—	2	2	2	2	2	2	2	2	180 190
17-23-57	NUT, Front Shock Lower Mounting		2	2	2	2	2	2	2	2	2	2	2	6028 465
	Rear Shock Upper Mounting Stud		2	2	2	—	—	—	—	—	—	—	—	6024 657
	Rear Shock Upper Mounting Bolt		—	—	—	2	2	2	2	2	2	2	2	9417 670
	Rear Shock Mounting, Extreme Duty		4	4	4	—	—	—	—	—	—	—	—	2403 178

17-24-0 SHOCK ABSORBER SUPPORT

17-24-28	SUPPORT, Frame Front Shock Mounting		—	—	—	—	—	2	2	2	2	2	—	2925 279
----------	-------------------------------------	--	---	---	---	---	---	---	---	---	---	---	---	----------

17-26-0 SHOCK ABSORBER COMPONENT PARTS

17-26-4	SHIELD, Front Shock Upper Dust	8	—	—	—	—	—	—	—	—	—	—	2	2539 404
---------	--------------------------------	---	---	---	---	---	---	---	---	---	---	---	---	----------

17-29-0 SWAY BAR SHAFT

17-29-5	SHAFT, all		1	1	1	—	—	—	—	—	—	—	—	2535 534
	All		—	—	—	1	1	—	—	—	—	—	—	2462 885
	All	8	—	—	—	—	—	1	1	1	1	1	—	2462 602
	All		—	—	—	—	—	—	—	—	—	—	1	2535 170
17-29-6	BRACKET, Shaft		—	—	—	—	—	2	2	2	2	2	—	2925 296
17-29-10	STRAP, Shaft Bushing		—	—	—	—	—	2	2	2	2	2	—	1673 065
	BOLT, Strap		—	—	—	—	—	2	2	2	2	2	—	180 122
	NUT, Bolt		—	—	—	—	—	2	2	2	2	2	—	9417 668
17-29-11	RETAINER, Shaft		—	—	—	—	—	2	2	2	2	2	—	★2462 566
	Shaft Insulator		—	—	—	—	—	—	—	—	—	—	2	2535 173
	NUT, Link Retainer		—	—	—	—	—	4	4	4	4	4	—	1558 352
17-29-12	BUSHING, Shaft		—	—	—	—	—	2	2	2	2	2	—	9417 668
		8	—	—	—	—	—	2	2	2	2	2	—	2269 709
17-29-15	CUSHION, Shaft Link		—	—	—	—	—	2	2	2	2	2	—	2071 572
17-29-16	RETAINER, Shaft Cushion		—	—	—	—	—	2	2	2	2	2	—	2462 570
17-29-17	LINK, Shaft Insulator		2	2	2	2	2	—	—	—	—	—	2	2462 571
	NUT, Link		2	2	2	2	2	—	—	—	—	—	2	2535 188
17-29-18	STRAP, Shaft Link Cushion		—	—	—	—	—	2	2	2	2	2	—	120 376
17-29-20	INSULATOR, Shaft Link		8	8	8	8	8	—	—	—	—	—	8	★2462 572
			—	—	—	—	—	4	4	4	4	4	—	2071 604
			—	—	—	—	—	2	2	2	2	2	—	2071 604
17-29-21	RETAINER, Shaft Insulator		8	8	8	8	8	—	—	—	—	—	8	1734 315
			—	—	—	—	—	4	4	4	4	4	—	2071 611
17-29-41	BUSHING, PACKAGE, Shaft Export		—	—	—	AR	AR	—	—	—	—	—	—	2071 611
			—	—	—	—	—	—	—	—	—	—	—	# 3514 649

TYPE LETTERS Indicates

B - Barracuda

V - Valiant
L - Dart

R - Belvedere
W - Coronet

P - Plymouth
D - Dodge

C - Chrysler
Y - Imperial

AR Indicates use as required.

Indicates parts not listed in any previous parts book.

Numerals in parentheses () refer to notes.

★ Indicates change or addition.

Printed in U.S.A.
January 1971

GROUP 18 - STANDARD PARTS

The Standard Parts listed herein are furnished only in carton quantities, and should be ordered in these quantities or multiples thereof.

BALL - STEEL



Plate 18-1

Diameter	Part No.	Ctn. Qty.	Diameter	Part No.	Ctn. Qty.
1/4	104 918	50	5/8	104 924	10
5/16	104 919	50	7/8	104 927	5
11/32	119 282	25			

BOLT - HEXAGON HEAD

National Coarse Thread



Plate 18-2

Length	Diameter & Thread									
	1/4-20		5/16-18		3/8-16		7/16-14		1/2-13	
	Part No.	Carton Qty.	Part No.	Carton Qty.	Part No.	Carton Qty.	Part No.	Carton Qty.	Part No.	Carton Qty.
1/2	180 016	50			180 116	25			180 166	25
5/8	180 018	100								
3/4	180 020	50	180 077	25						
1	180 022	50	180 079	25	180 122	25				
1-1/4	180 024	50	180 081	25	180 124	25			180 175	10
1-1/2	180 034	25			180 126	25	180 149	10		
1-3/4			181 094	25			180 151	10		
2					181 126	25			180 181	10
2-1/2	180 048	10					180 157	10		
3			180 113	10			180 160	10	180 190	10
3-3/4					186 284	10				
4			189 298	10	186 285	10	180 165	10		
5							272 406	50		

BOLT - HEXAGON HEAD

National Fine Thread

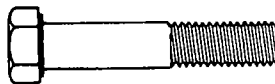


Plate 18-3

Length	Diameter & Thread											
	1/4-28		5/16-24		3/8-24		7/16-20		1/2-20		9/16-18	
	Part No.	Carton Qty.	Part No.	Carton Qty.	Part No.	Carton Qty.	Part No.	Carton Qty.	Part No.	Carton Qty.	Part No.	Carton Qty.
1/2	181 561	50			181 627	25			181 683	25		
5/8			181 593	25								
3/4			181 595	25								
1	181 568	50	181 608	25	181 637	25			181 696	25		
1-1/4			181 610	25	181 639	25	181 668	25	181 698	10		
1-1/2			181 614	25	181 643	25	181 670	10	181 700	10	181 727	10
1-3/4	181 577	25			181 646	25	181 672	10	660 378	10		
2	181 579	25	181 620	25			181 674	10	181 705	10	181 731	10
2-1/4											2228 700	10
2-1/2					181 650	10			181 709	10		
2-3/4			181 623	10								
3			182 703	10	181 652	10			181 711	10		
4					186 310	10	181 680	10	182 788	10		
4-1/4							181 682	10			181 747	10
							187 612	10				

BUSHING
Pipe Reducing

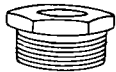


Plate 18-4

Ext. Thd.	Int. Thd.	Part No.	Carton Qty.
1/4	1/8	119 930	5
3/8	1/8	119 923	5
1/2	1/4	144 051	5
1/2	3/8	120 322	5

CONNECTOR
Flared Tube

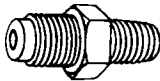


Plate 18-6

Diameter	Taper Thd.	Thread	Part No.	Carton Qty.
1/4	1/8	7/16-20	118 748	5
5/16	1/8	1/2-20	118 749	5
3/8	1/4	5/8-20	118 750	5
7/16	1/4	11/16-16	118 751	5
1/2	3/8	3/4-16	118 752	5

ELBOW
Ball, Sleeve Tubing



Plate 18-10

Diameter	Taper Thd.	Thread	Part No.	Carton Qty.
1/4	1/8	7/16-24	114 632	10
5/16	1/8	1/2-24	114 633	10
3/8	1/4	9/16-24	140 305	10

ELBOW
Inverted Flared Tube, 45 Degree

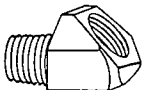


Plate 18-12

Diameter	Taper Thd.	Thread	Part No.	Carton Qty.
3/16	1/8	3/8-24	127 829	5
1/4	1/8	7/16-24	125 859	5
5/16	1/8	1/2-20	116 341	5
3/8	1/4	5/8-18	143 338	5

CONNECTOR
Ball Sleeve Tubing

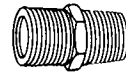


Plate 18-5

Tube Dia.	Taper Thd.	Thd. Size	Part No.	Carton Qty.
5/16	1/8	1/2-24	114 629	10

CONNECTOR
Inverted Flared Tube

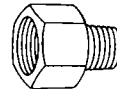


Plate 18-7

Diameter	Taper Thd.	Thread	Part No.	Carton Qty.
1/8	1/8	5/16-28	137 403	5
1/4	1/8	7/16-24	111 345	5
5/16	1/8	1/2-20	137 406	5
3/8	1/4	5/8-18	137 407	5
1/2	3/8	3/4-18	143 426	5

DRAIN COCK



Plate 18-9

Diameter	Part No.	Carton Qty.
1/4	103 647	5

ELBOW
Flared Tube



Plate 18-11

Diameter	Taper Thd.	Thread	Part No.	Carton Qty.
3/16	1/8	3/8-24	121 339	5

ELBOW
Inverted Flared Tube, 90 Degree



Plate 18-13

Diameter	Taper Thd.	Thread	Part No.	Carton Qty.
3/16	1/8	3/8-24	137 420	5
1/4	1/8	7/16-24	137 421	5
5/16	1/8	3/8-20	137 422	5
5/16	1/4	1/2-18	143 343	5
3/8	1/4	5/8-18	137 423	5
7/16	1/4	11/16-18	137 424	5
1/2	1/4		188 947	5

FITTING - LUBRICATING

Ball and Spring Type

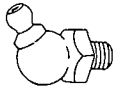


Plate 18-17

Length	Diameter & Thread	Part No.	Carton Qty.
7/8	1/4-28	110 309	10
1	1/4-28	9411 030	10

FITTING - LUBRICATING

Straight Type

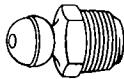


Plate 18-19

Thread & Length	Part No.	Carton Qty.
1/8 x 43/64	9411 010	10

FITTING - LUBRICATING

Straight Type C



Plate 18-21

Length	Diameter & Thread	Part No.	Carton Qty.
1/2	1/4-20	9411 027	10
11/16	1/4-20	111 595	10
1-1/8	1/4-20	128 274	5

**GASKET
ANNULAR, TYPE A**

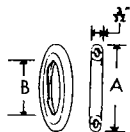


Plate 18-23

Dim. "A"	Dim. "B"	Part No.	Carton Qty.
1 1/8	.890	105 456	50

NIPPLE - PIPE

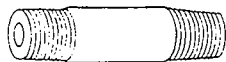


Plate 18-25

Diameter & Length	Part No.	Carton Qty.
1/4 x 1-1/2	144 596	5

FITTING - LUBRICATING



Plate 18-16

Thread & Length	Part No.	Carton Qty.
1/8 x 1-3/16	67-1/2° 109 365	5
1/8 x 1-13/16	90° 109 357	5

FITTING - LUBRICATING

Straight Drive Base

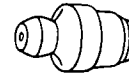


Plate 18-18

Diameter & Length	Part No.	Carton Qty.
.311 x 5/8	119 516	10

FITTING - LUBRICATING

Straight Type and Threaded Drive Type

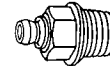


Plate 18-20

Diameter & Length	Part No.	Carton Qty.
1/8 x 23/32	9411 022	10

FITTING - LUBRICATING

Threaded Drive Type



Plate 18-22

Length	Part No.	Carton Qty.
1	30° 9411 023	10
47/64	85° 9411 025	10
25/32	67-1/2° 9411 024	10

**GASKET
ANNULAR, TYPE C**



Plate 18-24

Dim. "A"	Dim. "B"	Part No.	Carton Qty.
25/32	.561	965 297	100

**NUT
Flared Tube**

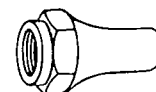


Plate 18-26

Tube Dia.	Thread	Part No.	Carton Qty.
5/16	1/2-20	118 538	5

NUT - HEXAGON



Plate 18-27

Diameter & Thread	Part No.	Carton Qty.
3/4-16	219 758	10

NUT - HEXAGON
Lock, Thin, Semi - Finished



Plate 18-29

Diameter & Thread	Part No.	Carton Qty.
5/8-18	145 013	10

NUT - HEXAGON
Ball Sleeve Tubing



Plate 18-31

Tube Dia.	Thread	Part No.	Carton Qty.
5/16	1/2-24	114 630	10
3/4	1-28	144 409	5

NUT - HEXAGON
Slotted, Standard Semi - Finished



Plate 18-33

Diameter & Thread	Part No.	Carton Qty.
3/8-24	125 233	50
7/16-20	128 014	50
9/16-18	128 178	25
5/8-18	128 027	25

NUT - HEXAGON
Standard, Semi-Finished National Fine Thread



Plate 18-35

Diameter & Thread	Part No.	Carton Qty.
1/4-28	120 367	50
5/16-24	120 368	50
3/8-24	114 547	25
3/8-24	120 369	50
7/16-20	271 506	50
1/2-20	120 371	50
9/16-18	124 634	25

NUT - HEXAGON

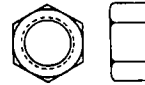


Plate 18-28

Diameter & Thread	Part No.	Carton Qty.
3/4-16	426 099	10

NUT - HEXAGON
Lock, Standard, Semi - Finished



Plate 18-30

Diameter & Thread	Part No.	Carton Qty.
7/16-14	126 012	50

NUT - HEXAGON
Common



Plate 18-32

Thread & Length	Part No.	Carton Qty.
No. 8-32	120 622	100
No. 10-24	116 000	100
No. 12-24	121 743	100

NUT - HEXAGON
Standard, Semi-Finished National Coarse Thread



Plate 18-34

Diameter & Thread	Part No.	Carton Qty.
1/4-20	120 375	50
5/16-18	120 376	50
3/8-16	120 377	50
7/16-14	271 501	50
1/2-13	120 378	50
9/16-12	124 583	25
5/8-11	124 589	25

NUT
Inverted Flared Tube



Plate 18-36

Tube Dia.	Thread	Part No.	Carton Qty.
3/16	3/8-24	137 396	50
1/4	7/16-24	137 397	50
5/16	1/2-20	137 398	25
3/8	5/8-18	137 399	25

NUT - HEXAGON
Tri-Slot, Semi-Finished



Plate 18-37

Diameter & Thread	Part No.	Carton Qty.
3/4-16	128 180	5

PIN - DOWEL

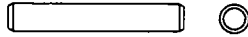


Plate 18-39

Diameter	Length	Part No.	Carton Qty.
1/4	2-1/4	141 210	10
5/16	2-1/4	141 232	10

PIN
Straight, Grooved

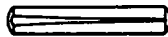


Plate 18-40

Diameter	Length	Part No.	Carton Qty.
1/4	1	142 520	10

PIN - COTTER
Split

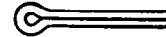


Plate 18-38

Length	Diameter	Part No.	Carton Qty.
3/4	3/32	103 373	100
1-1/8	3/32	108 636	100

PLUG - BUTTON

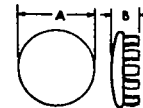


Plate 18-41

Dim. "A"	Dim. "B"	Part No.	Carton Qty.
1	19/64	142 093	10

PLUG - EXPANSION



Plate 18-42

Diameter	Part No.	Carton Qty.
5/8	103 891	25
3/4	103 892	25
13/16	105 602	25
7/8	103 893	25
15/16	117 919	25
1-1/16	117 920	10

Diameter	Part No.	Carton Qty.
1-3/16	140 690	10
1-3/16	117 921	10
1-1/4	179 380	10
1-3/8	117 923	10
1-1/2	103 896	10
1-5/8	117 924	10
1-5/8	140 802	10
1-3/4	103 897	10
1-7/8	114 564	10
2	140 089	10

PLUG - PIPE
Square Head, Hollow



Plate 18-46

Diameter & Thread	Part No.	Carton Qty.
3/8-18	112 304	5
3/4-14	103 869	5

PLUG - PIPE
Slotted Headless



Plate 18-45

Diameter & Thread	Part No.	Carton Qty.
1/8-27	118 831	10

RIVET

Solid, Round Head



Plate 18-50

Dim. "A"	Dim. "B"	Part No.	Carton Qty.
5/8	3/16	108 682	100

RIVET - TUBULAR

Oval Head, Drilled

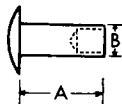


Plate 18-52

Dim. "A"	Dim. "B"	Part No.	Carton Qty.
9/64	1/4	118 140	100
3/16	3/32	131 284	100

SCREW - FILLISTER HEAD

Cross Recess, National Coarse Thread

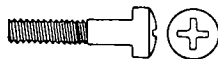


Plate 18-54

Diameter & Thread	Length	Part No.	Carton Qty.
No. 10-24	7/16	153 241	100

SCREW

Fillister Head, Slotted



Plate 18-56

Diameter & Thread	Length	Part No.	Carton Qty.
1/4-20	2-1/2	132 300	100

PLUG - PIPE
Square Head, Solid

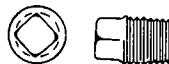


Plate 18-47

Diameter & Thread	Part No.	Carton Qty.
1/8-27	143 932	25
1/4-18	143 933	25

RIVET - TUBULAR
Flat Head, Countersunk

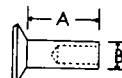


Plate 18-49

Dim. "A"	Dim. "B"	Part No.	Carton Qty.
9/32	9/64	121 573	100
13/32	3/16	114 518	100

RIVET

Split, Oval Head



Plate 18-51

Diameter	Length	Part No.	Carton Qty.
9/64	7/16	113 194	100

SCREW - TAPPING

Cross Recess, National Coarse Thread

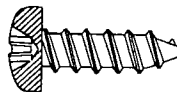


Plate 18-53

Diameter & Thread	Length	Part No.	Carton Qty.
No. 14-10	3/4	162 077	100

SCREW - FILLISTER HEAD

Cross Recess, National Fine Thread



Plate 18-55

Diameter & Thread	Length	Part No.	Carton Qty.
No. 10-32	1-1/2	153 479	50

SCREW - FLAT HEAD

Cross Recess, National Coarse Thread

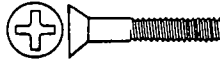


Plate 18-57

Length	Diameter & Thread									
	No. 6-32		No. 8-32		No. 10-24		No. 12-24		1/4-20	
	Part No.	Carton Qty.	Part No.	Carton Qty.	Part No.	Carton Qty.	Part No.	Carton Qty.	Part No.	Carton Qty.
3/16			155 868	100						
1/4	155 830	100								
1/2							156 094	100		
5/8									156 250	100
1					155 954	100				

SCREW - FLAT HEAD

Cross Recess, National Fine Thread

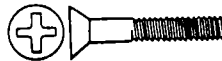


Plate 18-58

Length	Diameter & Thread			
	No. 10-32		5/16-24	
	Part No.	Carton Qty.	Part No.	Carton Qty.
1/2	156 009	100		
1	156 033	100	178 837	50

SCREW - OVAL HEAD

Cross Recess, National Coarse Thread

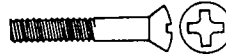


Plate 18-59

Length	Diameter & Thread									
	No. 8-32		No. 10-24		No. 12-24		1/4-20		5/16-18	
	Part No.	Carton Qty.	Part No.	Carton Qty.	Part No.	Carton Qty.	Part No.	Carton Qty.	Part No.	Carton Qty.
7/16			148 034	100						
1/2	156 771	50	156 963	100	157 277	100	157 391	100		
5/8	147 762	50	148 109	100						
3/4	186 575	100					443 869	100		
1-1/2	156 831	50								

SCREW - ROUND HEAD

Cross Recess, National Coarse Thread

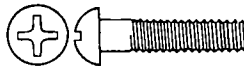


Plate 18-61

Length	Diameter & Thread											
	No. 4-40		No. 6-32		No. 8-32		No. 10-24		No. 12-24		1/4-20	
	Part No.	Carton Qty.	Part No.	Carton Qty.	Part No.	Carton Qty.	Part No.	Carton Qty.	Part No.	Carton Qty.	Part No.	Carton Qty.
1/4	154 921	100	154 959	100								
1/2			154 987	100	9415 921	100	456 867	100				
3/4									155 278	100	155 348	100
1					188 764	25						

SCREW - ROUND HEAD
Cross Recess, National Fine Thread

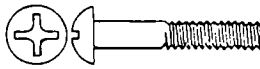


Plate 18-62

Diameter & Thread	Length	Part No.	Carton Qty.
No. 10-32	5/16	9416 993	100
No. 10-32	1/2	155 194	100

STUD



Plate 18-64

Stud End	Nut End	Length	Part No.	Ctn. Qty.
3/8-16	3/8-24	3-5/16	103 203	5
3/8-16	3/8-24	5-13/16	111 647	5

WASHER - LOCK



Plate 18-66

Bolt Size	Part No.	Carton Qty.
1/4	120 380	100
5/16	120 214	100
3/8	120 382	100
1/2	120 384	100
9/16	120 898	50
5/8	121 574	50

WASHER - LOCK
External Teeth



Plate 18-68

Bolt Size	Part No.	Carton Qty.
1/4	121 753	100
5/16	138 485	100
7/16	136 857	50
1/2	135 629	100
9/16	138 498	50
5/8	138 502	50

SLEEVE
Ball Sleeve Tubing



Plate 18-63

Diameter	Part No.	Carton Qty.
3/8	114 624	25
3/4	125 654	25

WASHER - LOCK
Countersunk, External Tooth



Plate 18-65

Bolt Size	I. D.	Part No.	Carton Qty.
3/8	.398	138 617	100

WASHER - LOCK
External and Internal Teeth

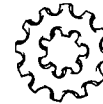


Plate 18-67

Bolt Size	Part No.	Carton Qty.
1/4	174 916	50
5/16	178 532	50
7/16	178 571	50
9/16	178 612	25

WASHER - PLAIN
Small

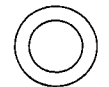


Plate 18-70

Bolt Size	Part No.	Carton Qty.
1/4	120 392	100
5/16	120 387	100
3/8	120 394	100
7/16	120 395	100
1/2	120 396	50
9/16	121 458	50
5/8	131 016	50

WASHER - PLAIN
Large

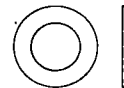
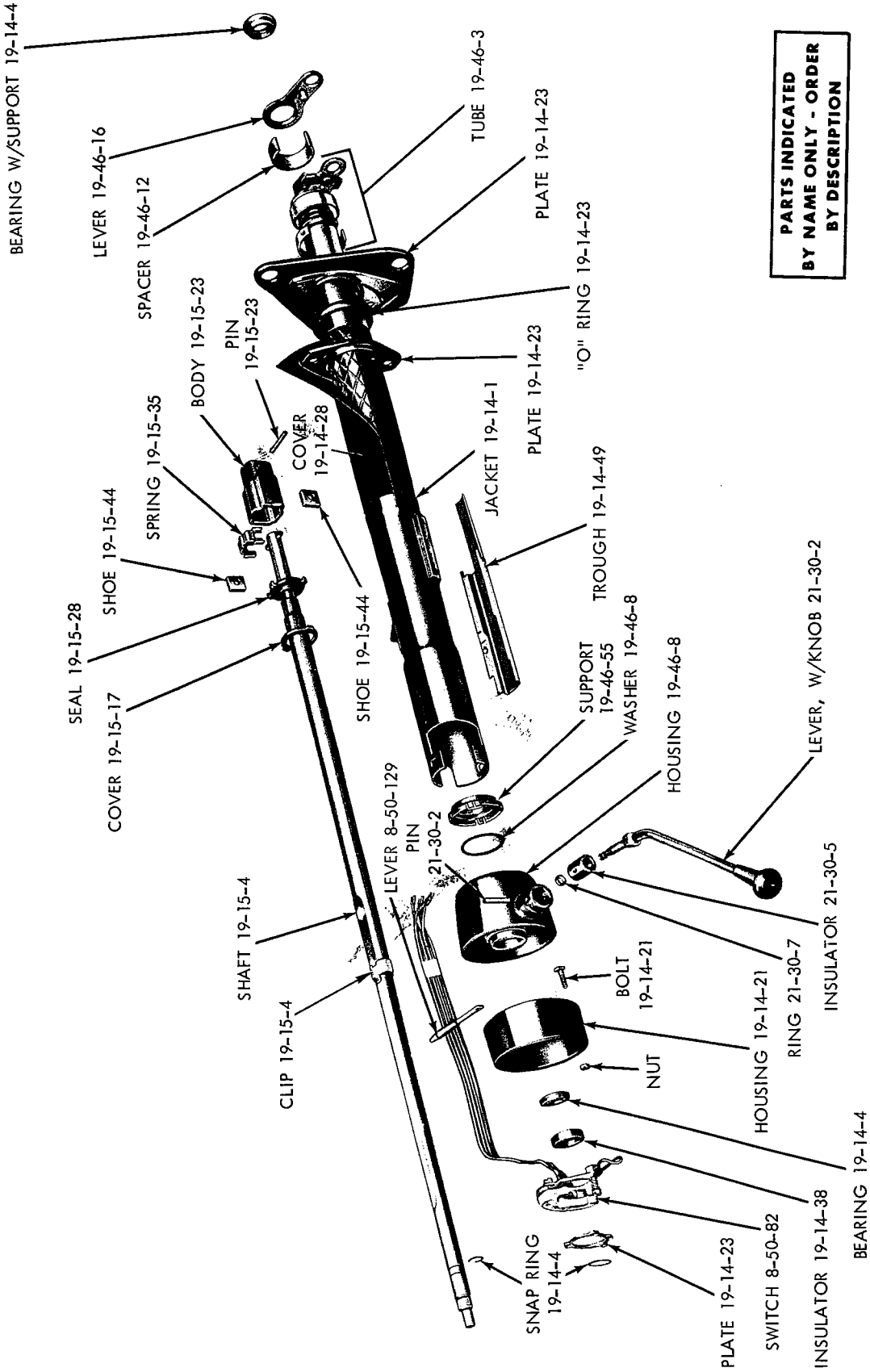


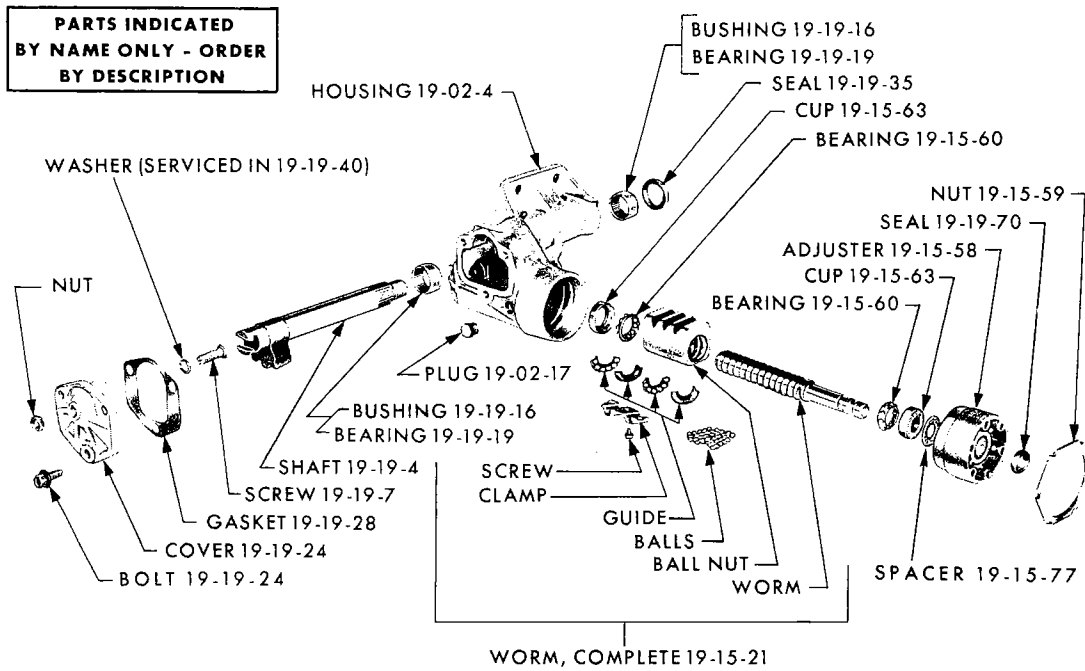
Plate 18-69

Bolt Size	Part No.	Carton Qty.
1/4	147 697	100
5/16	120 387	100
3/8	128 051	50
1/2	126 335	50



19a0913 C

STEERING COLUMN (MANUAL TRANSMISSION)



STANDARD STEERING GEAR ASSEMBLY

NOTES

CODE	PART NAME	ENG. TYPE OR CU.IN.	V	B	L	R	W	P	D	C	C	C	Y	PART NUMBER
			1-2	1-2	1-2	1-2	1-2	1-2	1-2	1	2	3	1	

STANDARD STEERING

NOTE: In the following Standard Steering Text for the Chrysler, Plymouth Fury and Dodge Polara-Monaco Models only, Chrysler built and Saginaw built Steering Column Component Parts are listed.
You may identify the Chrysler built Steering Column by a White Plastic Bearing Support mounted with two bolts at the lower end of the Steering Column Jacket. You may identify the Saginaw Built Steering Column by a Black Plastic Bearing Support mounted with a wire Clip at the lower end of the Steering Column Jacket.

19-01-0 STEERING GEAR ASSEMBLY

19-01-3	REPAIR PACKAGE, Strg. Gear, 24 to 1 Ratio Std. Strg.	6	1	1	1	—	—	—	—	—	—	—	—	2808 419
	16 to 1 Ratio w/Fast Man. Strg.		1	1	1	—	—	—	—	—	—	—	—	2808 420
			—	—	—	1	1	—	—	—	—	—	—	2808 420
			—	—	—	—	—	1	1	1	1	—	—	2525 481
19-01-8	CHUCK, Strg. Gear, 24 to 1 Ratio Std. Strg.	6	1	1	1	—	—	—	—	—	—	—	—	2537 727
	16 to 1 Ratio, w/Fast Man. Strg.		1	1	1	—	—	—	—	—	—	—	—	2537 728
		8	1	1	1	—	—	—	—	—	—	—	—	2537 726
			—	—	—	1	1	—	—	—	—	—	—	2537 726
			—	—	—	—	—	1	1	1	1	—	—	2267 550
	BOLT, Mounting		3	3	3	3	3	—	—	—	—	—	—	6027 185
	STUD, Mounting		—	—	—	—	—	1	1	1	1	—	—	6028 191
	BOLT, Mounting, Inboard		—	—	—	—	—	2	2	2	2	—	—	6028 193

19-02-0 STEERING GEAR HOUSING

19-02-4	HOUSING, Strg Gear, 24 to 1 Ratio Std Strg	6	1	1	1	—	—	—	—	—	—	—	—	2537 347
	16 to 1 Ratio w/Fast Man Strg		1	1	1	—	—	—	—	—	—	—	—	2537 346
			—	—	1	1	—	—	—	—	—	—	—	2537 346
			—	—	—	—	—	1	1	1	1	—	—	2267 551
	WASHER, Housing to Frame		AR	AR	AR	AR	AR	AR	AR	AR	AR	—	—	6027 224
19-02-17	PLUG, Strg Gear Housing Oil Filler		1	1	1	1	1	1	1	1	1	—	—	1673 974

19-14-0 STEERING COLUMN JACKET

19-14-1	JACKET, Strg Column, w/Man Trans Column Shift		1	1	1	—	—	—	—	—	—	—	—	2950 593
	w/Auto Trans Column Shift		1	1	1	—	—	—	—	—	—	—	—	2950 413
	w/Floor Shift		1	1	1	—	—	—	—	—	—	—	—	2950 595
	w/Man Trans Column Shift		—	—	—	1	1	—	—	—	—	—	—	2950 594
	w/Auto Trans Column Shift		—	—	—	1	1	—	—	—	—	—	—	2950 414
	w/Floor Shift		—	—	—	1	1	—	—	—	—	—	—	2950 596
	w/Man Trans Column Shift		—	—	—	—	—	1	1	1	—	—	—	2950 360
	w/Auto Trans Column Shift, except Tilt and Tilt-Telescopic Strg , Chrysler Built		—	—	—	—	—	1	1	1	1	—	—	2950 415
	w/Floor Shift, except Tilt and Tilt-Telescopic Strg , Chrysler Built		—	—	—	—	—	1	1	1	1	—	—	2950 426
	w/Auto Trans Column Shift, except Tilt and Tilt-Telescopic Strg , Saginaw Built		—	—	—	—	—	1	1	1	1	—	—	2950 534
	"O" RING, Jacket Support		1	1	1	1	1	1	1	1	1	—	—	6026 275
19-14-4	BEARING, Strg Column Shaft, Upper, except Tilt and Tilt-Telescopic Strg , Chrysler Built		1	1	1	1	1	1	1	1	1	—	—	2265 656
	Lower, w/SUPPORT, Man Trans Column Shift		1	1	1	1	1	1	1	1	1	—	—	2883 543
	Lower, w/SUPPORT, except Man Trans Column Shift, except Tilt and Tilt-Telescopic Strg , Chrysler Built		1	1	1	1	1	1	1	1	1	—	—	2950 513

TYPE LETTERS Indicates B - Barracuda V - Valiant R - Belvedere P - Plymouth C - Chrysler L - Dart W - Coronet D - Dodge Y - Imperial

AR Indicates use as required.
= Indicates parts not listed in any previous parts book.

Numerals in parentheses () refer to notes.
★ Indicates change or addition.

Printed in U.S.A.
January 1971

1969 PASSENGER CAR PARTS CATALOG

STEERING

CODE	PART NAME	ENG. TYPE OR CU.IN.											PART NUMBER
		V	B	L	R	W	P	D	C	C	C	Y	
STANDARD STEERING													
19-14-0 STEERING COLUMN JACKET Cont'd.													
19-14-4 BEARING Cont'd.													
	SNAP RING, Upper Bearing	1	1	1	1	1	1	1	1	1	—	—	6024 333
	SNAP RING, Lower Bearing	1	1	1	1	1	1	1	1	1	—	—	6023 045
	BEARING, Bowl, Lower, except Tilt and Tilt-Telescopic Strg Saginaw Built	—	—	—	—	—	1	1	1	1	—	—	2880 831
19-14-21	SCREW, Bearing Lower Support	AR	AR	AR	AR	AR	AR	AR	AR	AR	—	—	9417 749
	HOUSING, Strg Column Shaft Bearing, w/Auto Trans Column Shift	1	1	1	1	1	—	—	—	—	—	—	2880 301
	w/Man Trans Column Shift and w/Floor Shift	1	1	1	1	1	—	—	—	—	—	—	2880 276
	w/Column Shift, except Tilt and Tilt-Telescopic Strg, Chrysler Built	—	—	—	—	—	1	1	1	1	—	—	2880 276
19-14-23	BOLT, Bearing Housing	2	2	2	2	2	2	2	2	2	—	—	6023 036
	PLATE, Strg Column Shaft Bearing Retainer, except Tilt and Tilt-Telescopic Strg, Chrysler Built	1	1	1	1	1	1	1	1	1	—	—	2800 757
	PLATE, Strg Column Jacket Support "O" RING	1	1	1	1	1	1	1	1	1	—	—	2883 210
	PLATE, Strg Column Jacket Support, except B2 Floor Shift w/383 Eng	1	1	1	—	—	—	—	—	—	—	—	2883 204
	B2 Floor Shift w/383 Eng	8	—	1	—	—	—	—	—	—	—	—	2925 498
		—	—	—	1	1	—	—	—	—	—	—	2925 397
		—	—	—	—	—	1	1	1	1	—	—	2950 171
19-14-27	SCREW ADAPTER, w/Lower BEARING, except Tilt and Tilt-Telescopic Strg, Saginaw Built	3	3	3	3	3	3	3	3	3	—	—	6023 088
19-14-28	COVER, Strg Column Jacket	—	—	—	—	—	1	1	1	1	—	—	2950 506
19-14-35	CLAMP PACKAGE, Instrument Panel Strg Column	1	1	1	—	—	—	—	—	—	—	—	2883 306
		—	—	—	1	1	—	—	—	—	—	—	3004 710
	SCREW, w/WASHER, Clamp to Strg Column	4	4	4	4	4	—	—	—	—	—	—	3004 711
	SCREW, Clamp to Support Bracket, WASHER, Clamp to Support Bracket Screw	1	1	1	1	1	—	—	—	—	—	—	6026 904
19-14-36	STUD, Clamp	1	1	1	1	1	—	—	—	—	—	—	6027 402
	SPACER, Instrument Panel Strg Column Clamp	2	2	2	2	2	—	—	—	—	—	—	6027 404
	SPACER, Strg Column Support Bracket	3	3	3	3	3	—	—	—	—	—	—	6027 947
19-14-38	INSULATOR, Strg Column Shaft Bearing Upper, except Tilt and Tilt-Telescopic Strg, Chrysler Built	—	—	—	—	—	3	3	3	3	—	—	2950 150
19-14-49	TROUGH, Strg Column Wiring Except Tilt and Tilt-Telescopic Strg, Chrysler Built	1	1	1	1	1	1	1	1	1	—	—	2925 491
		1	1	1	1	1	—	—	—	—	—	—	2880 746
19-14-50	SCREW BRACE, Instrument Panel Strg Column Clamp to Pedal Bracket	—	—	—	—	—	1	1	1	1	—	—	2950 148
19-14-51	CLIP, Lower Bearing Adapter, except Tilt and Tilt-Telescopic Strg, Saginaw Built	2	2	2	2	2	2	2	2	2	—	—	9423 520
19-14-82	PLATE, Lock, Saginaw Built	—	—	—	1	1	—	—	—	—	—	—	2925 406
		—	—	—	—	—	1	1	1	1	—	—	2880 325
		—	—	—	—	—	1	1	1	1	—	—	2950 532

TYPE LETTERS Indicates B - Barracuda V - Valiant R - Belvedere P - Plymouth C - Chrysler
L - Dart W - Coronet D - Dodge Y - Imperial

AR Indicates use as required.
= Indicates parts not listed in any previous parts book.

Numerals in parentheses () refer to notes.
★ Indicates change or addition.

Printed in U.S.A.
January 1971

CODE	PART NAME	ENG. TYPE OR CU.IN.	V	B	L	R	W	P	D	C	C	C	Y	PART NUMBER
			1-2	1-2	1-2	1-2	1-2	1-2	1-2	1	2	3	1	

STANDARD STEERING

19-14-0 STEERING COLUMN JACKET Cont'd.

19-14-85	SPRING, Upper Bearing, except Tilt and Tilt-Telescopic Strg , Saginaw Built		—	—	—	—	—	—	1	1	1	1	—	2950 517
19-14-89	WASHER, Wave, except Tilt and Tilt-Telescopic Strg , Saginaw Built		—	—	—	—	—	—	1	1	1	1	—	2880 347
	WASHER, Thrust, except Tilt and Tilt-Telescopic Strg , Saginaw Built		—	—	—	—	—	—	1	1	1	1	—	2880 346
19-14-91	RING, Retaining, except Tilt and Built		—	—	—	—	—	—	1	1	1	1	—	2880 335
	Except Tilt and Tilt-Telescopic Strg , Saginaw Built		—	—	—	—	—	—	1	1	1	1	—	2925 062
19-14-107	SPRING, Cover Retaining, except Tilt and Tilt-Telescopic Strg , Saginaw Built		—	—	—	—	—	—	3	3	3	3	—	2880 830

19-15-0 STEERING COLUMN SHAFT AND COUPLING

19-15-1	REPAIR KIT, Collapsible Strg Column Shaft		1	1	1	1	1	1	1	1	1	1	—	3514 996
19-15-4	SHAFT, Strg Column, except 383 Eng w/383 Eng	8	1	1	1	—	—	—	—	—	—	—	—	2880 169
	Except Police		—	1	1	—	—	—	—	—	—	—	—	2950 142
	Except Police, Chrysler Built		—	—	—	1	1	—	—	—	—	—	—	2880 173
	Saginaw Built		—	—	—	—	—	—	1	1	1	1	—	2950 370
			—	—	—	—	—	—	1	1	1	1	—	2950 543
19-15-17	COVER, Strg Column Shaft Coupling Body, except Police		1	1	1	1	1	1	1	1	1	1	—	2530 538
19-15-21	WORM, w/BALL NUT, Strg Gear, 24 to 1 Ratio Std Strg		1	1	1	1	1	1	1	1	1	1	—	2267 454
	16 to 1 Ratio w/Fast Man Strg		1	1	1	—	—	—	—	—	—	—	—	2267 640
19-15-23	BODY, Strg Column Shaft Coupling, Except Police		1	1	1	1	1	1	1	1	1	1	—	2996 856
19-15-24	PIN, Strg Column Shaft Lower Coupling, except Police		1	1	1	1	1	1	1	1	1	1	—	2266 743
19-15-28	SEAL, Strg Column Shaft Coupling Body, except Police		1	1	1	1	1	1	1	1	1	1	—	2800 741
19-15-33	CLAMP, Strg Column Shaft Complng Body Cover Retainer		1	1	1	1	1	1	1	1	1	1	—	2996 935
19-15-35	SPRING, Strg Column Shaft Coupling Body, except Police		1	1	1	1	1	1	1	1	1	1	—	2925 492
	PIN		1	1	1	1	1	1	1	1	1	1	—	9422 159
19-15-44	SHOE, Strg Column Shaft Coupling Body, except Police		2	2	2	2	2	2	2	2	2	2	—	2800 738
19-15-58	ADJUSTER, Strg Gear Worm Thrust Bearing		1	1	1	1	1	—	—	—	—	—	—	2127 146
			—	—	—	—	—	—	1	1	1	1	—	2267 492
19-15-59	NUT, Strg Gear Worm Adjusting Lock		1	1	1	1	1	1	1	1	1	1	—	2267 192
19-15-60	BEARING, Strg Gear Worm Thrust		2	2	2	2	2	2	2	2	2	2	—	2072 060
19-15-63	CUP, Strg Gear Worm Thrust Bearing		2	2	2	2	2	2	2	2	2	2	—	2127 097
19-15-77	SPACER, Strg Gear Thrust Bearing		—	—	—	—	—	—	1	1	1	1	—	2267 478

19-19-0 STEERING GEAR SHAFT

19-19-4	SHAFT, Strg Gear		1	1	1	1	1	—	—	—	—	—	—	2127 104
			—	—	—	—	—	—	1	1	1	1	—	2267 487
19-19-7	SCREW, Strg Gear Shaft Adjusting		1	1	1	1	1	1	1	1	1	1	—	2267 178
19-19-16	BUSHING, Strg Gear Shaft, except 16 to 1 Ratio Fast Man Strg	6	2	2	2	—	—	—	—	—	—	—	—	2267 128

TYPE LETTERS Indicates B - Barracuda V - Valiant R - Belvedere P - Plymouth C - Chrysler
L - Dart W - Coronet D - Dodge Y - Imperial

AR Indicates use as required.
= Indicates parts not listed in any previous parts book.

Numerals in parentheses () refer to notes.
★ Indicates change or addition.

Printed in U.S.A.
January 1971

1969 PASSENGER CAR PARTS CATALOG

STEERING

CODE	PART NAME	ENG. TYPE OR CU.IN.	V	B	L	R	W	P	D	C	C	C	Y	PART NUMBER
			1-2	1-2	1-2	1-2	1-2	1-2	1	2	3	1		

STANDARD STEERING

19-19-0 STEERING GEAR SHAFT Cont'd.

19-19-19	BEARING, Strg Gear Shaft, 16 to 1 Ratio w/Fast Man Strg		3	3	3	—	—	—	—	—	—	—	—	2126 890
	BEARING, Strg Gear Shaft		—	—	—	3	3	—	—	—	—	—	—	2126 890
			—	—	—	—	—	1	1	1	1	—	—	2126 890
			—	—	—	—	—	2	2	2	2	—	—	2126 760
19-19-24	COVER, Strg Gear Shaft		1	1	1	1	1	—	—	—	—	—	—	2267 152
			—	—	—	—	—	1	1	1	1	—	—	2267 467
	BOLT, w/WASHER		3	3	3	3	3	2	2	2	2	—	—	6025 063
19-19-28	GASKET, Strg Gear Shaft Cover		1	1	1	1	1	—	—	—	—	—	—	2127 108
			—	—	—	—	—	1	1	1	1	—	—	2267 468
19-19-35	OIL SEAL, Strg Gear Shaft		1	1	1	1	1	—	—	—	—	—	—	2127 154
			—	—	—	—	—	1	1	1	1	—	—	2537 153
19-19-40	WASHER PACKAGE, Strg Gear Shaft Adjusting Screw		1	1	1	1	1	1	1	1	1	—	—	2279 961
19-19-70	SEAL, Strg Gear Worm Shaft		1	1	1	1	1	1	1	1	1	—	—	2267 156

19-27-0 STEERING LINK GEAR ARM AND IDLER ARM

19-27-2	ARM PACKAGE, Strg Link Gear, except 383 Eng		1	1	1	—	—	—	—	—	—	—	—	3004 807
	383 Eng	8	—	1	1	—	—	—	—	—	—	—	—	3004 809
			—	—	—	1	1	—	—	—	—	—	—	3004 811
			—	—	—	—	—	1	1	1	1	—	—	3004 810
19-27-8	NUT, Strg Link Gear Arm		1	1	1	1	1	1	1	1	1	—	—	2207 359
	NUT, Strg Link Gear Arm Stud End		1	1	1	1	1	—	—	—	—	—	—	9425 132
19-27-31	ARM, Strg Link Idler		1	1	1	—	—	—	—	—	—	—	—	2835 826
			—	—	—	1	1	—	—	—	—	—	—	2835 834
			—	—	—	—	—	1	1	1	1	—	—	2835 842
	BOLT, Bracket End		1	1	1	1	1	—	—	—	—	—	—	6027 776
			—	—	—	—	—	1	1	1	1	—	—	6027 777
	NUT, Idler Arm Stud		1	1	1	1	1	1	1	1	1	—	—	9425 132
19-27-33	BRACKET, Front Support Cross- member Strg Linkage Idler Arm		1	1	1	—	—	—	—	—	—	—	—	2883 977
			—	—	—	1	1	—	—	—	—	—	—	2883 996
19-27-40	SEAL, Strg Link Gear Arm Stud End		1	1	1	1	1	—	—	—	—	—	—	2535 800
	SEAL, Strg Link Idler Arm End		1	1	1	1	1	—	1	1	1	—	—	2535 459
			1	1	1	1	1	—	—	—	—	—	—	2835 895
	SEAL, Strg Link Idler Arm Small Socket		—	—	—	—	—	1	1	1	1	—	—	2535 461
19-27-45	BOLT PACKAGE, Strg Link Idler Arm Bracket End		1	1	1	1	1	—	—	—	—	—	—	3004 804
			—	—	—	—	—	1	1	1	1	—	—	3004 805
19-27-50	LINK, Strg Link Center		1	1	1	—	—	—	—	—	—	—	—	2535 077
			—	—	—	1	1	—	—	—	—	—	—	1858 015
			—	—	—	—	—	1	1	1	1	—	—	2269 393
19-27-51	PLUG, Strg Link Gear Arm End		1	1	1	—	—	1	1	1	1	—	—	1858 115

19-30-0 STEERING WHEEL

19-30-4	WHEEL, Strg, w/Three Spokes and w/o Horn Ring, VL, LL, RT, RL, WL, WT		1	—	1	1	1	—	—	—	—	—	—	4018 EB8
		Blue	1	—	1	1	1	—	—	—	—	—	—	4018 ET8
		Tan	1	—	1	1	1	—	—	—	—	—	—	4018 ER8
		Red	1	—	1	1	1	—	—	—	—	—	—	4018 ER8
		Black	1	—	1	1	1	—	—	—	—	—	—	4018 DX9

TYPE LETTERS Indicates

B - Barracuda

V - Valiant
L - Dart

R - Belvedere
W - Coronet

P - Plymouth
D - Dodge

C - Chrysler
Y - Imperial

AR Indicates use as required.

≠ Indicates parts not listed in any previous parts book.

Numerals in parentheses () refer to notes.

★ Indicates change or addition.

Printed in U.S.A.

January 1971

CODE	PART NAME	ENG. TYPE OR CU.IN.	V	B	L	R	W	P	D	C	C	C	Y	PART NUMBER
			1-2	1-2	1-2	1-2	1-2	1-2	1	2	3	1		

STANDARD STEERING

19-30-0 STEERING WHEEL Cont'd

19-30-4 WHEEL Cont'd.

w/Three Spokes, w/Partial and Full Horn Ring		Blue	1	1	1	1	1	—	—	—	—	—	—	4008 EB7
		Green	1	1	1	1	1	—	—	—	—	—	—	4008 EF8
		Red	1	1	1	1	1	—	—	—	—	—	—	4008 ER8
		Tan	1	1	1	1	1	—	—	—	—	—	—	4008 ET8
		Gold	1	1	1	1	1	—	—	—	—	—	—	4008 EY4
		Black	1	1	1	1	1	—	—	—	—	—	—	4007 DX9
Wheel w/Three Spokes, w/Padded Horn Button		Blue	—	1	—	—	—	—	—	—	—	—	—	4072 EB8
		Green	—	1	—	—	—	—	—	—	—	—	—	4072 EF7
		Red	—	1	—	—	—	—	—	—	—	—	—	4072 ER8
		Tan	—	1	—	—	—	—	—	—	—	—	—	4072 ET8
		Black	—	1	—	—	—	—	—	—	—	—	—	4072 EX9
		Wood Grain	1	1	1	1	1	1	1	—	—	—	—	4016 DTT
w/Three Spokes, w/o Tilt and Tilt-Telescopic Strg		Blue	—	—	—	—	—	1	1	—	—	—	—	4054 EB7
		Blue	—	—	—	—	—	—	—	1	1	—	—	4054 EB9
		Green	—	—	—	—	—	1	1	—	—	—	—	4054 EF8
		Red	—	—	—	—	—	1	1	—	—	—	—	4054 ER8
		Briar	—	—	—	—	—	—	—	1	1	—	—	4054 EE9
		Tan	—	—	—	—	—	1	1	1	1	—	—	4054 ET8
		Gold, Light	—	—	—	—	—	1	1	1	1	—	—	4054 EY4
		Gold, Dark	—	—	—	—	—	1	1	—	—	—	—	4054 EY8
		Black	—	—	—	—	—	1	1	1	1	—	—	4054 EX9
w/Four Spokes, w/Full Horn Ring, w/o Tilt and Tilt-Telescopic		Blue	—	—	—	—	—	1	1	—	—	—	—	4062 EB7
		Blue	—	—	—	—	—	—	—	1	1	—	—	4062 EB9
		Green	—	—	—	—	—	—	—	1	1	—	—	4062 EF8
		Black	—	—	—	—	—	—	—	1	1	—	—	4062 EX9
		Tan	—	—	—	—	—	—	—	1	1	1	—	4062 ET8
		Gold, light	—	—	—	—	—	—	—	1	1	—	—	4062 EY4
		Gold, Dark	—	—	—	—	—	—	—	1	1	—	—	4062 EY8
		Briar	—	—	—	—	—	—	1	1	—	—	—	4062 EE9
		Turquoise	—	—	—	—	—	—	—	1	1	—	—	4062 EQ8
w/Tilt-Telescopic Strg		Blue	8	—	—	—	—	—	—	1	1	—	—	4058 EB9
		Briar	8	—	—	—	—	—	—	1	1	—	—	4058 EE9
		Green	8	—	—	—	—	—	—	1	1	—	—	4058 EF8
		Black	8	—	—	—	—	—	—	1	1	—	—	4058 EX9
		Turquoise	8	—	—	—	—	—	—	1	1	—	—	4058 EQ8
		Tan	8	—	—	—	—	—	—	1	1	—	—	4058 ET8
		Gold	8	—	—	—	—	—	—	1	1	—	—	4058 EY8
		Two Tone Gold	8	—	—	—	—	—	—	1	1	—	—	4058 EYY
19-30-18	NUT, Strg Column Shaft, Strg Wheel Except Tilt-Telescopic Strg		1	1	1	1	1	1	1	—	—	—	—	6028 050
	Tilt-Telescopic Strg		—	—	—	—	—	—	—	1	1	—	—	6028 050
	WASHER		1	1	1	1	1	1	1	1	1	—	—	6028 051
			1	1	1	1	1	1	1	1	1	—	—	6025 671

19-31-0 STEERING COLUMN BRACKET OR SUPPORT

19-31-1	BRACKET, Instrument Panel Strg Column Support		1	1	1	—	—	—	—	—	—	—	—	2857 737
	BRACKET, Strg Column Support		—	—	—	—	—	1	1	1	1	—	—	2925 494
	HANGER, Strg Column Support Bracket		—	—	—	—	—	1	1	1	1	—	—	2925 456

TYPE LETTERS Indicates B - Barracuda V - Valiant L - Dart R - Belvedere W - Coronet P - Plymouth D - Dodge C - Chrysler Y - Imperial

AR Indicates use as required.
= Indicates parts not listed in any previous parts book.

Numerals in parentheses () refer to notes.
★ Indicates change or addition.

Printed in U.S.A.
January 1971

1969 PASSENGER CAR PARTS CATALOG

STEERING

CODE	PART NAME	ENG. TYPE OR CU.IN.	V	B	L	R	W	P	D	C	C	C	Y	PART NUMBER
			1-2	1-2	1-2	1-2	1-2	1-2	1-2	1	2	3	1	

STANDARD STEERING

19-31-0 STEERING COLUMN BRACKET OR SUPPORT Cont'd.

19-31-1 BRACKET Cont'd.

	SCREW, Bracket to Hanger	—	—	—	—	—	—	1	1	1	1	—	—	6027 402
	SCREW, w/WASHER, Bracket to Strg Column	—	—	—	—	—	—	4	4	4	4	—	—	6024 904
	NUT, Support Bracket Stud	—	—	—	—	—	—	3	3	3	3	—	—	6027 403
	WASHER, Hanger Screw	—	—	—	—	—	—	2	2	2	2	—	—	6027 404
	STUD, Column Support	—	—	—	—	—	—	2	2	2	2	—	—	6027 947
	SCREW, w/WASHER, Strg Column Bracket to Pedal Bracket	—	—	—	—	—	—	1	1	1	1	—	—	6027 969
19-31-3	CLIP, Strg Column Support Bracket Hanger	—	—	—	—	—	—	1	1	1	1	—	—	2925 495

19-31-7

	BRACE, Instrument Panel Strg Column Brace to Cowl Plenum Bracket	—	—	—	1	1	—	—	—	—	—	—	—	2889 231
	BRACE, Instrument Panel Strg Column Brace to Strg Column Support Bracket	—	—	—	1	1	—	—	—	—	—	—	—	2889 232
	BRACE, Instrument Panel Strg Column Support to Bracket	—	—	—	1	1	—	—	—	—	—	—	—	2927 123
	SCREW, w/WASHER, Brace to Column Support	—	—	—	1	1	—	—	—	—	—	—	—	6025 329
	SCREW, w/WASHER, Brace to Brace and Gusset	—	—	—	1	1	—	—	—	—	—	—	—	6025 329

19-46-0 STEERING COLUMN GEARSHIFT TUBE

19-46-3

	TUBE, Strg Column Gearshift, w/Man Trans Column Shift	1	1	1	—	—	—	—	—	—	—	—	—	2925 356
		—	—	—	1	1	—	—	—	—	—	—	—	2925 357
		—	—	—	—	—	1	1	1	1	—	—	—	2950 364
	w/Auto Trans Column Shift	1	1	1	1	1	—	—	—	—	—	—	—	2950 363
	w/Auto Trans Column Shift, except Tilt and Tilt-Telescopic Strg, Chrysler Built	—	—	—	—	—	1	1	1	1	—	—	—	2950 419
	Saginaw Built	—	—	—	—	—	1	1	1	1	—	—	—	2950 551
	w/Floor Shift	1	1	1	—	—	—	—	—	—	—	—	—	2925 360
	w/Floor Shift, except Tilt and Tilt-Telescopic Strg, Chrysler Built	—	—	—	1	1	1	1	1	—	—	—	—	2925 361
	SCREW, Tube Bearing, w/Man Trans Column Shift	2	2	2	2	2	2	2	2	2	—	—	—	9417 749

19-46-8

	HOUSING, Strg Column Gearshift, w/Man Trans Column Shift	1	1	1	1	1	—	—	—	—	—	—	—	2880 994
	w/Auto Trans Column Shift	1	1	1	1	1	—	—	—	—	—	—	—	2880 997
	w/Man and Auto Trans Column Shift, except Tilt and Tilt-Telescopic Strg, Chrysler Built	—	—	—	—	—	1	1	1	1	—	—	—	2880 994
	HOUSING, Strg Column Gearshift Tube, w/Floor Shift, except Tilt and Tilt-Telescopic Strg, Chrysler Built	1	1	1	1	1	1	1	1	1	—	—	—	2880 076
	BOWL, w/SPRING, w/Auto Trans Column Shift, except Tilt and Tilt-Telescopic Strg, Saginaw Built	—	—	—	—	—	1	1	1	1	—	—	—	2925 502

19-46-12

	SPACER, Strg Column Gearshift Tube Lever, w/Man Trans Column Shift	1	1	1	1	1	1	1	1	1	—	—	—	2883 541
	w/Man Trans Column Shift	1	1	1	1	1	1	1	1	1	—	—	—	2883 357

TYPE LETTERS Indicates

B - Barracuda

V - Valiant
L - Dart

R - Belvedere
W - Coronet

P - Plymouth
D - Dodge

C - Chrysler
Y - Imperial

AR Indicates use as required.

= Indicates parts not listed in any previous parts book.

Numerals in parentheses () refer to notes.

★ Indicates change or addition.

Printed in U.S.A.
January 1971

CODE	PART NAME	ENG. TYPE OR CU.IN.	V	B	L	R	W	P	D	C	C	C	Y	PART NUMBER
			1-2	1-2	1-2	1-2	1-2	1-2	1-2	1	2	3	1	

STANDARD STEERING

19-46-0 STEERING COLUMN GEARSHIFT TUBE Cont'd.

19-46-13	GROMMET, Gearshift Control Lever Pivot Stud Bracket, w/Auto Trans Floor Shift		1	1	1	1	1	1	1	1	1	—	—	1553 304
	GROMMET, Strg Column Gearshift Tube Lever, w/Auto Trans Column Shift		1	1	1	1	1	1	1	1	1	—	—	1553 304
19-46-14	BUSHING, Strg Column Gearshift Tube Lever Grommet, w/Auto Trans Column Shift		1	1	1	1	1	1	1	1	1	—	—	1553 305
	BUSHING, Gearshift Control Lever Pivot Stud Bracket Grommet, w/Auto, Trans Floor Shift		1	1	1	1	1	1	1	1	1	—	—	1553 305
19-46-16	LEVER, Strg Column Gearshift Tube, First and Reverse, w/Man Trans Column Shift		1	1	1	—	—	—	—	—	—	—	—	2880 919 2880 920
19-46-33	SPRING, Strg Column Gearshift Tube, w/Floor Shift, except Tilt and Tilt-Telescopic Strg , Chrysler Built		1	1	1	1	1	1	1	1	1	1	—	2883 401
19-46-55	SUPPORT, Strg Column Gearshift Housing, w/Man Trans Column Shift and w/Four Speed and Auto Trans Floor Shift, except Tilt and Tilt-Telescopic Strg , Chrysler Built		1	1	1	1	1	1	1	1	1	—	—	2883 245
	w/Auto Trans Column Shift, except Tilt and Tilt-Telescopic Strg , Chrysler Built		1	1	1	1	1	1	1	1	1	—	—	2925 377

19-48-0 GEARSHIFT CONTROL ROD

19-48-1	ROD, Gearshift Control, First and Reverse, w/Man Trans Column Shift		1	1	1	—	—	—	—	—	—	—	—	2781 433 2781 401 2950 203
	Second and High, w/Man Trans Column Shift		1	1	1	—	—	—	—	—	—	—	—	2781 434 2781 400 2950 204
	ROD, Gearshift Control, Front, w/Auto Trans Column Shift		1	1	1	—	—	—	—	—	—	—	—	2781 431 2467 934 2950 037
	Rear, w/Auto Trans Column Shift, w/A904 Trans		1	1	1	—	—	—	—	—	—	—	—	2781 432
	w/A727 Trans		—	1	1	—	—	—	—	—	—	—	—	2800 947
	Rear, w/Auto Trans Column Shift		—	—	—	1	1	—	—	—	—	—	—	2467 933
	CLIP		AR	AR	AR	AR	AR	AR	AR	—	—	—	—	6025 071
	WASHER		AR	AR	AR	AR	AR	AR	AR	AR	AR	—	—	6027 467
	WASHER, Rod Rear		1	1	1	1	1	—	—	—	—	—	—	6017 029
19-48-6	BUSHING, Gearshift Control Rod Strg Column Lever, w/Man Trans Column Shift, w/o Silencing Grommets		—	—	—	2	2	2	2	2	2	—	—	2800 804

TYPE LETTERS Indicates B - Barracuda V - Valiant R - Belvedere P - Plymouth C - Chrysler
L - Dart W - Coronet D - Dodge Y - Imperial

AR Indicates use as required.

≡ Indicates parts not listed in any previous parts book.

Numerals in parentheses () refer to notes.

★ Indicates change or addition.

Printed in U.S.A.
January 1971

1969 PASSENGER CAR PARTS CATALOG

STEERING

CODE	PART NAME	ENG. TYPE OR CU.IN.	V	B	L	R	W	P	D	C	C	C	Y	PART NUMBER
			1-2	1-2	1-2	1-2	1-2	1-2	1-2	1	2	3	1	
STANDARD STEERING														
19-48-0 GEARSHIFT CONTROL ROD Cont'd.														
WASHER, w/Auto Trans														
19-48-7	SMALL PARTS PACKAGE, Gearshift Control, w/Man Trans Column Shift		1	1	1									2808 425
	w/Man Trans Column Shift, except Police and Taxi					1	1							2808 424
	w/Man Trans Column Shift, w/225 and 318 Eng, except Police and Taxi							1	1					2808 426
	w/Man Trans Column Shift, w/383-2 Bbl Carb Eng	8						1	1	1	1			2808 427
19-48-12	CLAMP, Gearshift Control Rod		AR	AR	AR	AR	AR	AR	AR	AR	AR			2204 274
19-48-16	SWIVEL, Gearshift Control Rod, First and Reverse, w/Man Trans Column Shift		1	1	1	1	1							2800 802
	Second and High, w/Man Trans Column Shift							1	1	1	1			2404 859
	Rear, w/Auto Trans, Column Shift		1	1	1	1	1	1	1	1	1			2467 935
	Lower, w/Auto Trans, Floor Shift		1	1	1	1	1	1	1	1	1			2467 935
	WASHER, Rear Swivel		1	1	1	1	1							6017 029
19-48-20	WASHER, Gearshift Control Rod Swivel, Second and High, w/Man Trans Column Shift		2	2	2									1618 918
	First and Reverse, w/Man Trans Column Shift, w/383 Eng	8						1	1	1	1			1618 918
	WASHER, Gearshift Control Rod, Second and High, w/Man Trans Column Shift, w/383 Eng	8						1	1	1	1			1618 918
19-48-23	CLIP, Gearshift Control Rod		AR	AR	AR	AR	AR	AR	AR	AR	AR			1137 669
	CLIP, Gearshift Control Rod Swivel		AR	AR	AR	AR	AR	AR	AR	AR	AR			1137 669
	CLIP, Gearshift Control Rod Rear Swivel, w/Auto Trans, Column Shift		1	1	1	1	1							1635 232
19-48-44	BOOT, w/GASKET, Gearshift Control Torque Shaft, w/Auto Trans Floor Shift		1	1	1	1	1	1	1	1	1			6025 071
19-48-45	SHAFT, Gearshift Control Torque, w/Auto Trans Column Shift, w/A904 Trans		1	1	1									2781 407
	w/A727 Trans			1	1									2781 425
	w/A904 Trans				1	1								2800 939
	w/A727 Trans				1	1								2800 972
	w/A904 Trans						1							2534 407
	w/A727 Trans							1	1	1	1			2950 038
	w/Auto Trans Floor Shift			1	1									2950 039
					1	1								2781 414
						1	1							2800 814
	w/Man Trans Column Shift							1	1	1	1			2800 818
	WASHER, w/AutoTrans		2	2	2	2	2	2	2	2	2			2781 424
	WASHER, w/Man Trans							2	2					9417 098
	WASHER, w/Man Trans							1	1					6023 085
19-48-46	BRACKET, Gearshift Control Torque Shaft Trans, w/Auto Trans Column Shift, except 340 Eng		1	1	1									6023 086
	w/340 Eng	8		1	1									2781 429
														2800 942

TYPE LETTERS Indicates
 B - Barracuda
 V - Valiant
 L - Dart
 R - Belvedere
 W - Coronet
 P - Plymouth
 D - Dodge
 C - Chrysler
 Y - Imperial

AR Indicates use as required.
 = Indicates parts not listed in any previous parts book.
 Numerals in parentheses () refer to notes.
 * Indicates change or addition.
 Printed in U.S.A.
 January 1971

CODE	PART NAME	ENG. TYPE OR CU.IN.	V	B	L	R	W	P	D	C	C	C	Y	PART NUMBER
			1-2	1-2	1-2	1-2	1-2	1-2	1-2	1	2	3	1	

STANDARD STEERING

19-48-0 GEARSHIFT CONTROL ROD Cont'd.

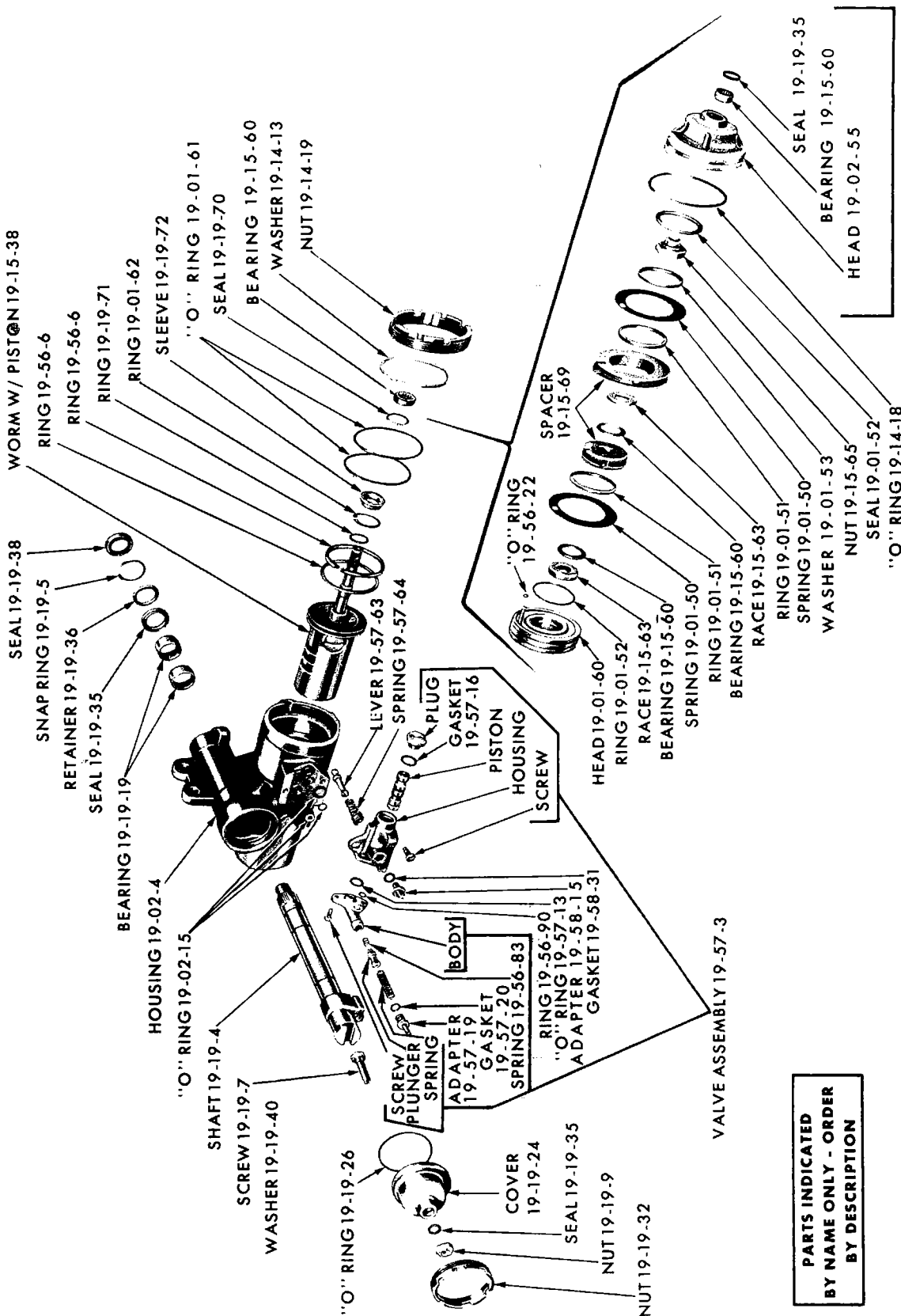
19-48-46	BRACKET Cont'd.													
	w/904 Auto Trans Column Shift				1	1								2800 970
	w/727 Auto Trans Column Shift				1	1								2534 513
	w/904 Auto Trans Column Shift							1						2950 044
	w/727 Auto Trans Column Shift, w/Pin (Early built cars)							1	1	1	1	1		2950 045
	w/o Pin (Late built cars)							1	1	1	1	1		2950 300
	BRACKET, Gearshift Control Torque Shaft Frame, w/Auto Trans Column Shift	1	1	1										2467 932
					1	1								2534 423
								1	1	1	1			2950 043
	BRACKET, Gearshift Control Torque Shaft, Upper, w/Auto Trans Floor Shift		1	1										2781 419
					1	1								2660 411
								1	1	1	1			2660 412
	Lower, w/Auto Trans Floor Shift SCREW		1	1	1	1	1	1	1	1	1			2660 401
			2	2	2	2	2	2	2	2	2			6026 059
	BRACKET, Gearshift Control Torque Shaft, w/Man Trans Column Shift							1	1	1	1			2461 944
19-48-48	PLATE, Gearshift Control Torque Shaft Bracket Mounting, w/Man Trans Column Shift SCREW							1	1	1	1			2467 946
								1	1	1	1			9413 197
19-48-49	GROMMET, Gearshift Control Torque Shaft Bracket, w/Man Trans Column Shift							1	1	1	1			2208 158
19-48-50	BUSHING, Gearshift Control Torque Shaft Bracket, w/Auto Trans Column Shift	2	2	2	2	2	2	2	2	2	2			2781 420
	BUSHING, Gearshift Control Torque Shaft Bracket Grommet, w/Man Trans Column Shift							1	1	1	1			2208 159
19-48-51	SPACER, Gearshift Control Torque Shaft, w/Man Trans Column Shift							2	2	2	2			2208 172
19-48-52	RETAINER, Gearshift Control Torque Shaft, w/Man Trans Column Shift							1	1	1	1			1671 569
19-48-53	LEVER, Gearshift Control Torque Shaft Upper, w/Auto Trans Floor Shift		1	1	1	1	1	1	1	1	1			2781 416

NOTES

TYPE LETTERS Indicates B - Barracuda V - Valiant L - Dart R - Belvedere W - Coronet P - Plymouth D - Dodge C - Chrysler Y - Imperial

AR Indicates use as required. Numerals in parentheses () refer to notes. Printed in U.S.A. January 1971
 = Indicates parts not listed in any previous parts book. ★ Indicates change or addition.

GROUP 19 - STEERING

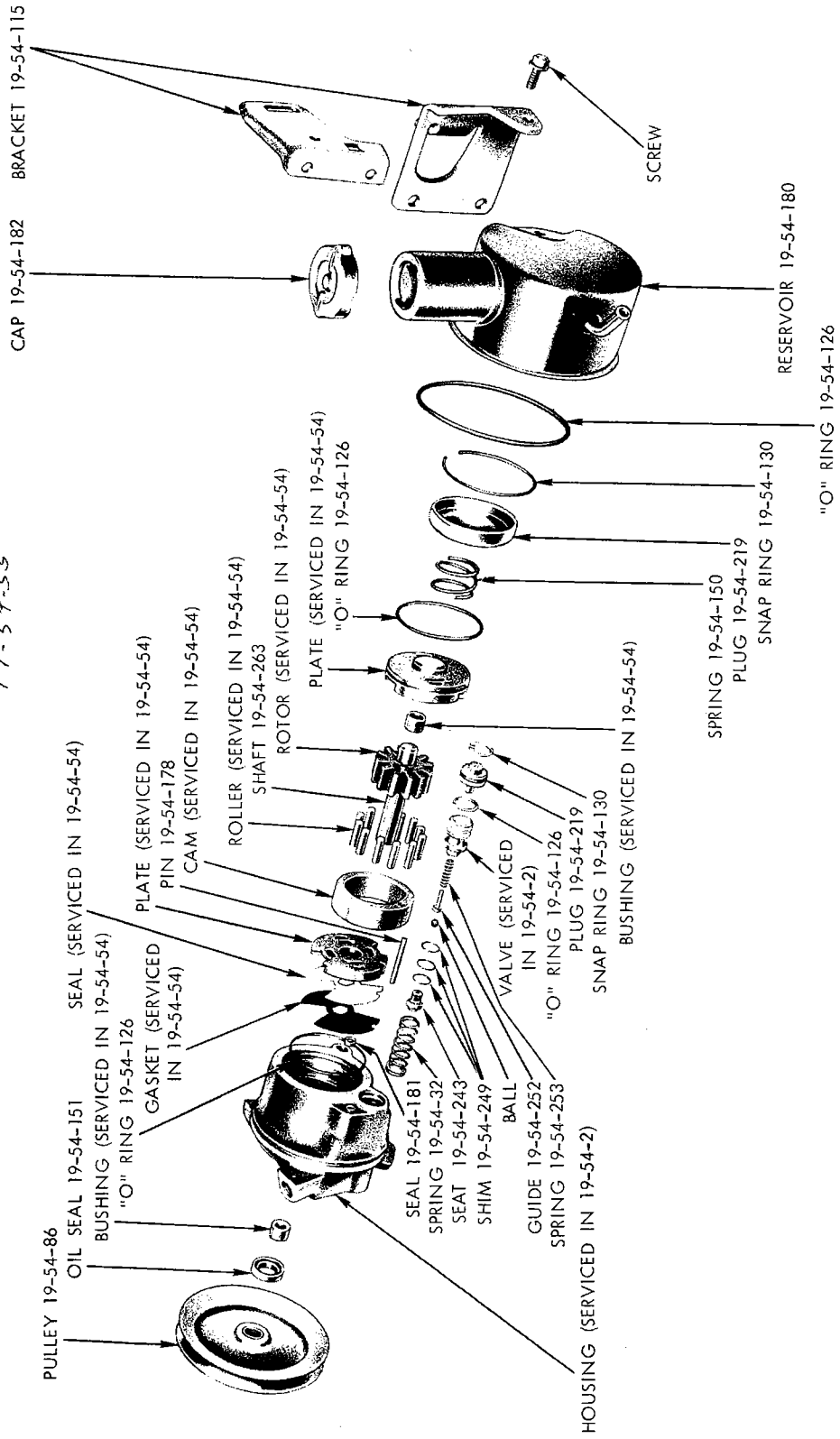


19x9799E

POWER STEERING GEAR ASSEMBLY

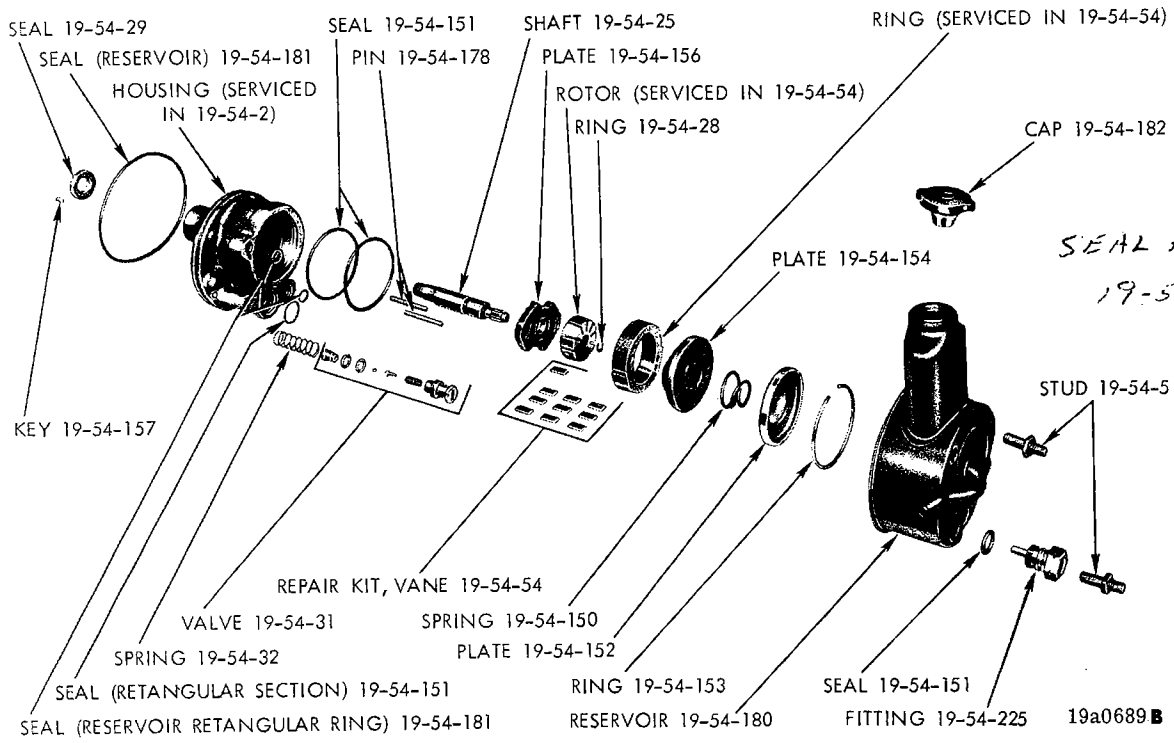
PARTS INDICATED
BY NAME ONLY - ORDER
BY DESCRIPTION

*SEAL PKG-
 17-54-53*



19a2029 B

POWER STEERING PUMP (WITH 12 ROLLER PUMP) - PLYMOUTH, DODGE, CHRYSLER AND IMPERIAL



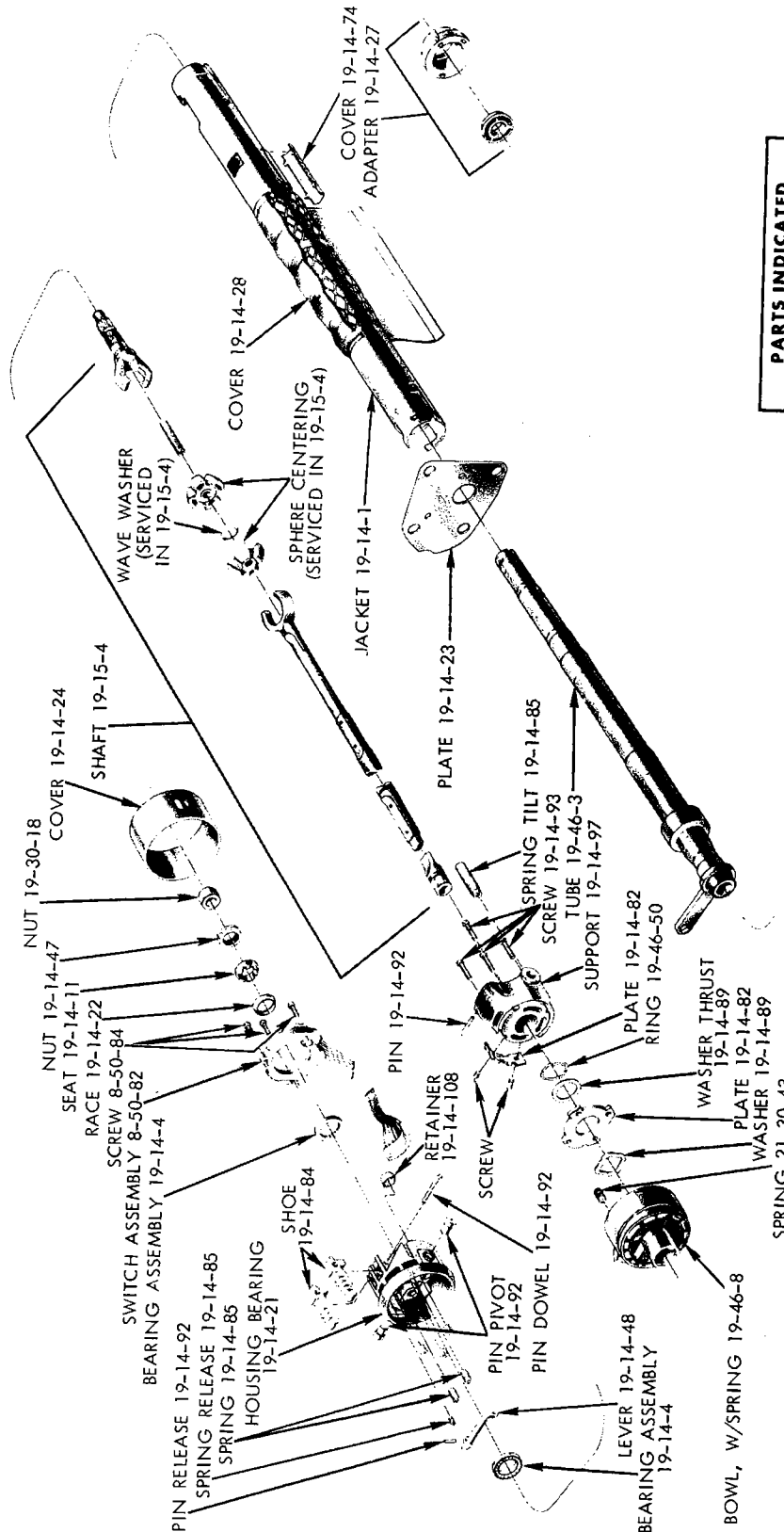
POWER STEERING OIL PUMP (WITH KEY SLOTTED SHAFT) - BELVEDERE,
CORONET, PLYMOUTH AND DODGE (WITH 318, 383 AND 440 ENGINES)

NOTES

Lined area for notes, consisting of approximately 18 horizontal lines.

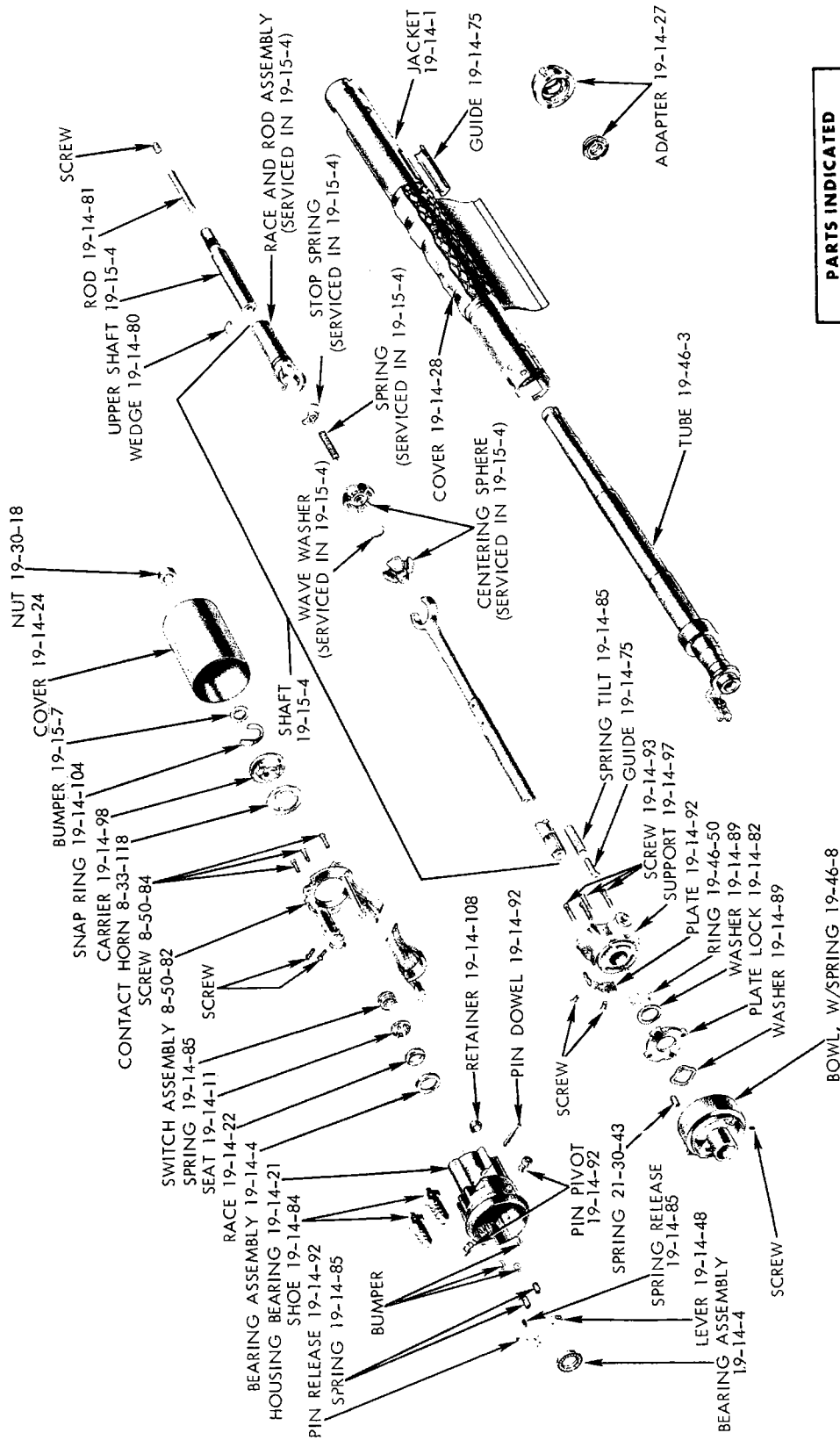
1969 PASSENGER CAR PARTS CATALOG

STEERING



19a2503

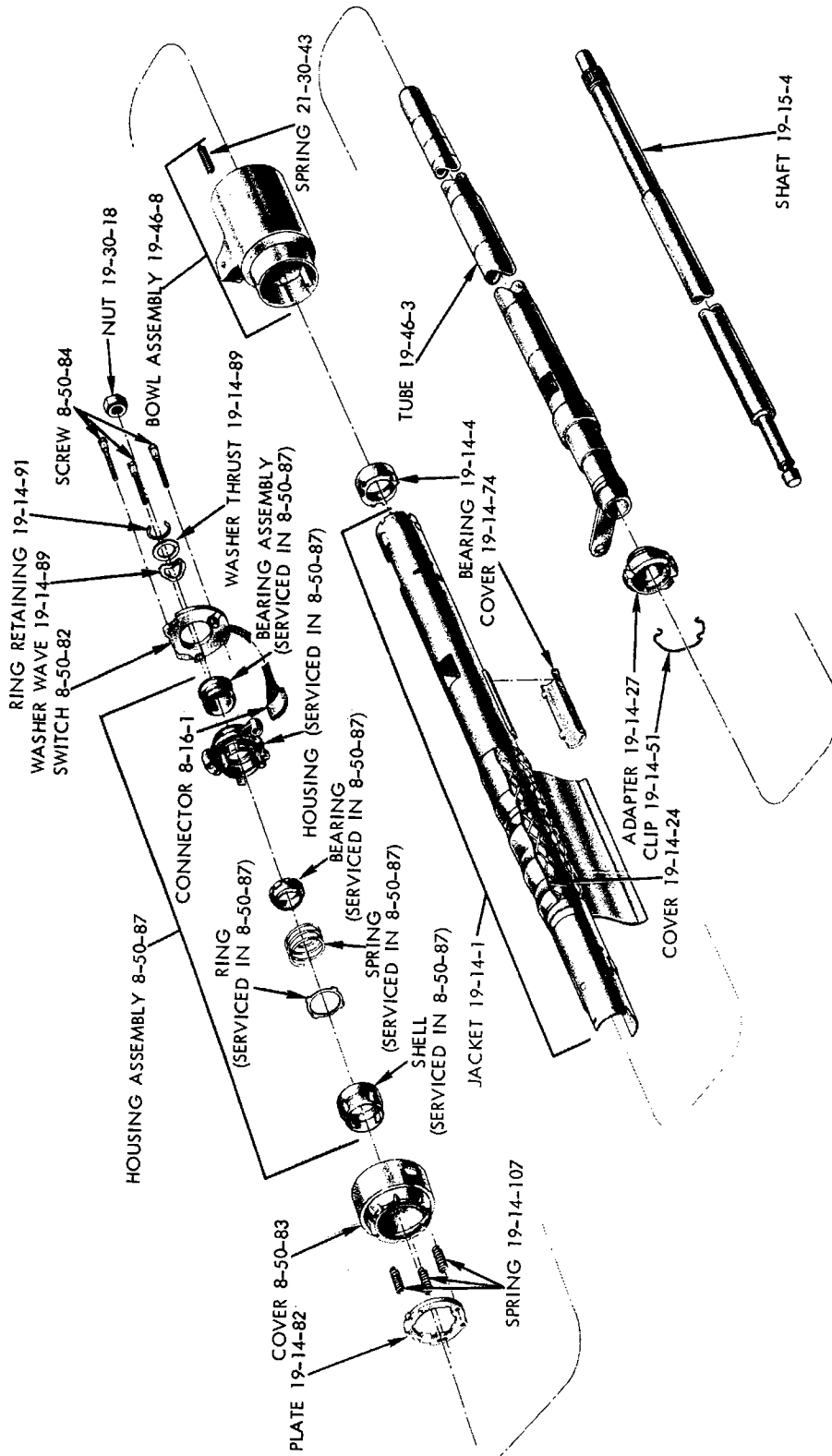
TILT STEERING - PLYMOUTH AND DODGE



PARTS INDICATED
BY NAME ONLY - ORDER
BY DESCRIPTION

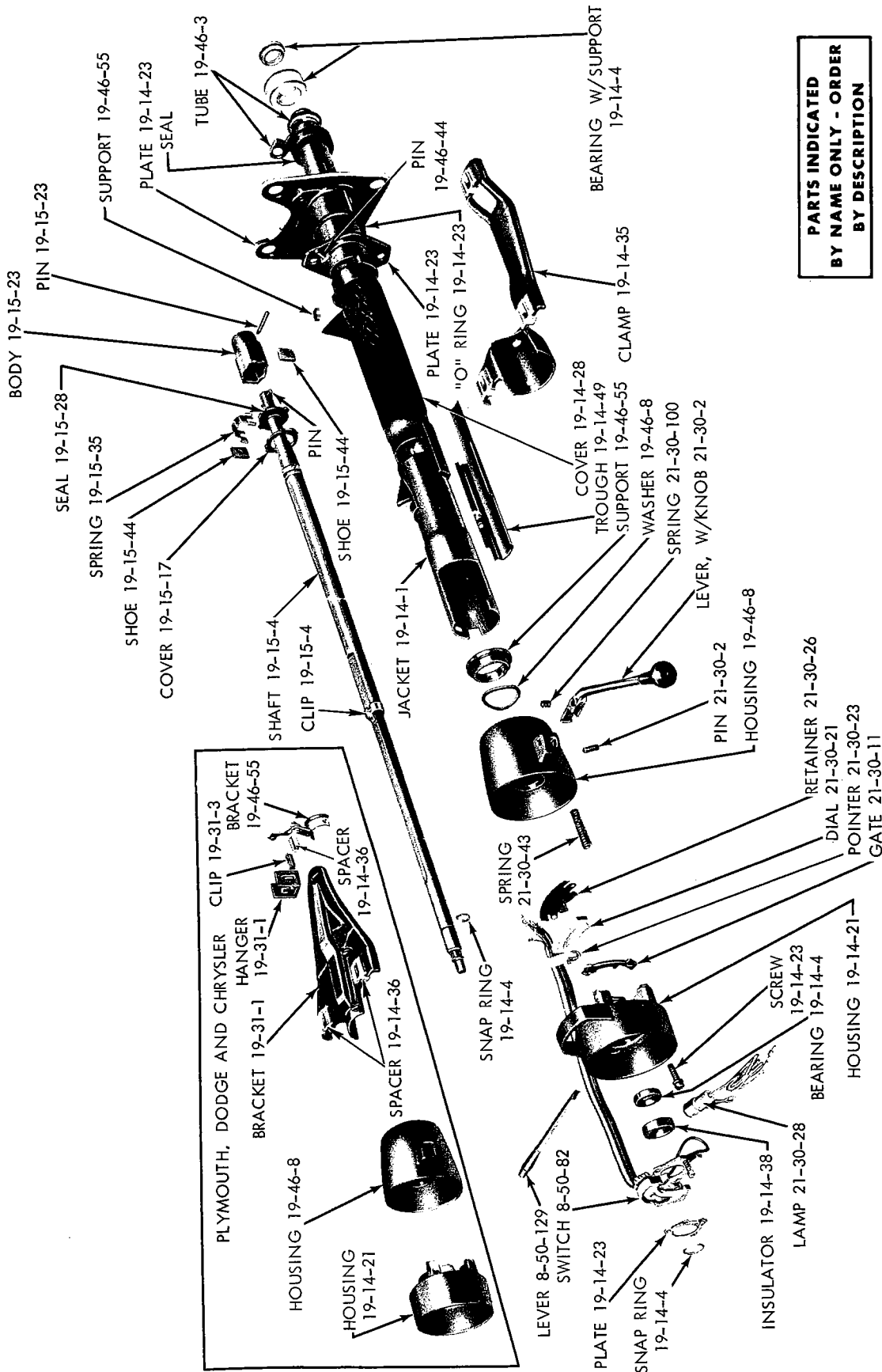
19a2504

TILT-TELESCOPIC STEERING - CHRYSLER AND IMPERIAL



19a2505

SAGINAW BUILT STEERING COLUMN (EXCEPT TILT AND TILT-TELESCOPIC STEERING) -
PLYMOUTH FURY, DODGE POLARA, MONACO AND CHRYSLER



**PARTS INDICATED
BY NAME ONLY - ORDER
BY DESCRIPTION**

19a0914D

STEERING COLUMN ASSEMBLY (WITH AUTOMATIC TRANSMISSION) - EXCEPT IMPERIAL

CODE	PART NAME	ENG. TYPE OR CU.IN.	V	B	L	R	W	P	D	C	C	C	Y	PART NUMBER
			1-2	1-2	1-2	1-2	1-2	1-2	1-2	1	2	3	1	

POWER STEERING

NOTE: In the following Power Steering Text for the Chrysler, Plymouth Fury and Dodge Polara-Monaco Models only, Chrysler built and Saginaw built Steering Column Component Parts are listed.
You may identify the Chrysler built Steering Column by a White Plastic Bearing Support mounted with two bolts at the lower end of the Steering Column Jacket. You may identify the Saginaw Built Steering Column by a Black Plastic Bearing Support mounted with a wire Clip at the lower end of the Steering Column Jacket.

19-01-0 STEERING GEAR ASSEMBLY

19-01-4	"O" RING and SEAL PACKAGE, Strg Gear	1	1	1	1	1	—	—	—	—	—	—	—	3004 998
		—	—	—	—	—	1	1	1	1	1	—	—	3004 996
		—	—	—	—	—	—	—	—	—	—	1	—	3004 997
19-01-8	CHUCK, Strg Gear, except 383 Eng 383 Eng	1	1	1	—	—	—	—	—	—	—	—	—	2537 736
	Except 426 Eng	—	1	1	—	—	—	—	—	—	—	—	—	2537 737
	426 Eng	—	—	—	1	1	—	—	—	—	—	—	—	2537 736
		—	—	—	1	1	—	—	—	—	—	—	—	2537 737
		—	—	—	—	—	1	1	1	1	1	—	—	2537 738
		—	—	—	—	—	—	—	—	—	—	1	—	2537 739
	BOLT, Mounting	3	3	3	3	3	—	—	—	—	—	—	—	6027 185
	STUD, Mounting	—	—	—	—	—	1	1	1	1	1	—	—	6028 191
		—	—	—	—	—	—	—	—	—	—	1	—	6028 192
	BOLT, Mounting, Inboard	—	—	—	—	—	2	2	2	2	2	2	—	6028 193
19-01-50	SPRING, Strg Gear Reaction	2	2	2	2	2	—	—	—	—	—	—	—	2537 178
		—	—	—	—	—	2	2	2	2	2	—	—	1822 134
		—	—	—	—	—	—	—	—	—	—	2	—	2267 532
19-01-51	RING, Strg Gear Reaction	2	2	2	2	2	2	2	2	2	2	—	—	1822 150
		—	—	—	—	—	—	—	—	—	—	2	—	1733 791
19-01-52	SEAL, Strg Gear Reaction, Upper	1	1	1	1	1	1	1	1	1	1	—	—	1822 151
	Upper	—	—	—	—	—	—	—	—	—	—	1	—	1733 593
	Lower	1	1	1	1	1	1	1	1	1	1	—	—	1822 149
	Lower	—	—	—	—	—	—	—	—	—	—	1	—	1823 091
19-01-53	RING, Strg Gear Reaction	2	2	2	2	2	2	2	2	2	2	—	—	1822 150
	WASHER, Strg Gear Reaction	2	2	2	2	2	2	2	2	2	2	2	—	1733 790
19-01-60	HEAD, Strg Gear Cylinder	1	1	1	1	1	1	1	1	1	1	—	—	1823 157
		—	—	—	—	—	—	—	—	—	—	1	—	1823 161
19-01-62	SNAP RING, Strg Gear Cylinder Head	1	1	1	1	1	1	1	1	1	1	1	—	1822 321

19-02-0 STEERING GEAR HOUSING

19-02-4	HOUSING, Strg Gear	1	1	1	1	1	—	—	—	—	—	—	—	2537 397
		—	—	—	—	—	1	1	1	1	1	1	—	2537 398
	HOUSING and COVER PACKAGE, Strg- Gear	1	1	1	1	1	—	—	—	—	—	—	—	3004 992
	WASHER, Housing to Frame	AR	AR	AR	AR	AR	AR	AR	AR	AR	AR	—	—	6027 224
19-02-15	"O" RING, Strg Gear Housing to Valve	1	1	1	1	1	1	1	1	1	1	1	—	1823 150
	"O" RING, Strg Gear Housing Port	2	2	2	2	2	2	2	2	2	2	2	—	1556 385
19-02-55	HEAD, Strg Gear Housing	1	1	1	1	1	1	1	1	1	1	—	—	2126 946
		—	—	—	—	—	—	—	—	—	—	1	—	2267 491
19-02-69	"O" RING, Strg Gear Cylinder Head	2	2	2	2	2	2	2	2	2	2	2	—	1733 562

19-14-0 STEERING COLUMN JACKET

19-14-1	JACKET, Strg Column, w/Man Trans Column Shift	1	1	1	—	—	—	—	—	—	—	—	—	2950 593
	w/Auto Trans Column Shift	1	1	1	—	—	—	—	—	—	—	—	—	2950 413
	w/Floor Shift	1	1	1	—	—	—	—	—	—	—	—	—	2950 595

TYPE LETTERS Indicates B - Barracuda V - Valiant R - Belvedere P - Plymouth C - Chrysler
L - Dart W - Coronet D - Dodge Y - Imperial

AR Indicates use as required.

= Indicates parts not listed in any previous parts book.

Numerals in parentheses () refer to notes.

★ Indicates change or addition.

Printed in U.S.A.
January 1971

1969 PASSENGER CAR PARTS CATALOG

STEERING

CODE	PART NAME	ENG. TYPE OR CU.IN.	V	B	L	R	W	P	D	C	C	C	Y	PART NUMBER
			1-2	1-2	1-2	1-2	1-2	1-2	1	2	3	1		
POWER STEERING														
19-14-0 STEERING COLUMN JACKET Cont'd.														
19-14-1 JACKET Cont'd.														
	w/Man Trans Column Shift					1	1							2950 594
	w/Auto Trans Column Shift					1	1							2950 414
	w/Floor Shift					1	1							2950 596
	w/Man Trans Column Shift							1	1	1				2950 360
	w/Auto Trans Column Shift, except Tilt and Tilt-Telescopic Strg , Saginaw Built								1	1	1	1	1	2950 534
	w/Floor Shift, except Tilt and Tilt Telescopic Strg , Saginaw Built								1	1	1	1	1	2950 536
	w/Auto Trans Column Shift, except Tilt and Tilt-Telescopic Strg , Chrysler Built								1	1	1	1	1	2950 415
	w/Floor Shift, except Tilt and Tilt-Telescopic Strg , Chrysler Built								1	1	1	1	1	2950 426
	Except Tilt-Telescopic Strg												1	2950 535
	w/Column Shift, w/Tilt Strg								1	1				2950 540
	w/Floor Shift, w/Tilt Strg								1	1				2950 541
	w/Column Shift, w/Tilt-Telescopic Strg										1	1	1	2950 537
	w/Floor Shift, w/Tilt-Telescopic Strg										1	1	1	2950 538
	w/Tilt-Telescopic Strg												1	2950 539
	"O" RING, Jacket Support		1	1	1	1	1	1	1	1	1	1	1	6026 275
19-14-4	BEARING, Strg Column Shaft, Upper, except Tilt and Tilt-Telescopic Strg , Chrysler Built		1	1	1	1	1	1	1	1	1	1	1	2265 656
	Lower, w/SUPPORT, Man Trans Column Shift		1	1	1	1	1	1	1	1	1	1	1	2883 543
	Lower, w/SUPPORT, except Man Trans Column Shift, except Tilt and Tilt-Telescopic Strg , Chrysler Built		1	1	1	1	1	1	1	1	1	1	1	2950 513
	SNAP RING, Upper Bearing		1	1	1	1	1	1	1	1	1	1	1	6024 333
	SNAP RING, Lower Bearing		1	1	1	1	1	1	1	1	1	1	1	6023 045
	SCREW, Bearing Lower Support	AR	AR	AR	AR	AR	AR	AR	AR	AR	AR	AR	AR	9417 749
	BEARING, Bowl, Lower, except Tilt and Tilt-Telescopic Strg , Saginaw Built								1	1	1	1	1	2880 831
	BEARING, Upper, w/Tilt Strg								1	1				2950 549
	Upper, w/Tilt Strg								1	1				2950 559
	Upper, w/Tilt-Telescopic Strg									2	2	2	2	2950 549
19-14-11	SEAT, Inner Race, w/Tilt Strg								1	1				2950 565
	w/Tilt-Telescopic Strg									1	1	1	1	2781 677
19-14-13	WASHER, Strg Gear Housing Head Nut		1	1	1	1	1	1	1	1	1	1	1	1733 588
19-14-18	"O" RING, Strg Gear Housing Head		1	1	1	1	1	1	1	1	1	1	1	1733 602
19-14-19	NUT, Strg Gear Housing Head		1	1	1	1	1	1	1	1	1	1	1	1733 625
19-14-21	HOUSING, Strg Column Shaft Bearing, w/Auto Trans Column Shift		1	1	1	1	1							2880 301
	w/Man Trans Column Shift and w/Floor Shift		1	1	1	1	1							2880 276
	w/Column Shift, except Tilt and Tilt-Telescopic Strg , Chrysler Built								1	1	1	1	1	2880 276
	BOLT, Bearing Housing	2	2	2	2	2	2	2	2	2	2	2	2	6023 036
	w/Tilt Strg								1	1				2950 548
	w/Tilt-Telescopic Strg										1	1	1	2950 522

TYPE LETTERS Indicates

B - Barracuda

V - Valiant
L - Dart

R - Belvedere
W - Coronet

P - Plymouth
D - Dodge

C - Chrysler
Y - Imperial

AR Indicates use as required.

≠ Indicates parts not listed in any previous parts book.

Numerals in parentheses () refer to notes.

★ Indicates change or addition.

Printed in U.S.A.
January 1971

CODE	PART NAME	ENG.	V	B	L	R	W	P	D	C	C	C	Y	PART NUMBER
		TYPE OR CU.IN.	1-2	1-2	1-2	1-2	1-2	1-2	1-2	1	2	3	1	
POWER STEERING														
19-14-0 STEERING COLUMN JACKET Cont'd.														
19-14-22	RACE, Inner, w/Tilt Strg w/Tilt-Telescopic Strg	—	—	—	—	—	—	1	1	—	—	—	—	2950 564 2781 675
19-14-23	PLATE, Strg Column Shaft Bearing Retainer, except Tilt and Tilt-Telescopic Strg, Chrysler Built	1	1	1	1	1	1	1	1	1	1	1	—	2800 757
	PLATE, Strg Column Jacket Support "O" Ring	1	1	1	1	1	1	1	1	1	1	1	—	2883 210
	PLATE, Strg Column Jacket Support, except B2 w/Floor Shaft w/383 Eng	1	1	1	—	—	—	—	—	—	—	—	—	2883 204
	B2 w/Floor Shift w/383 Eng	—	—	1	—	—	—	—	—	—	—	—	—	2925 498
		—	—	—	1	1	—	—	—	—	—	—	—	2925 397
		—	—	—	—	—	1	1	1	1	1	1	—	2950 171
	Except Tilt-Telescopic Strg	—	—	—	—	—	—	—	—	—	—	—	1	2950 151
	SCREW	3	3	3	3	3	3	3	3	3	3	3	—	6023 088
19-14-24	COVER, Housing, w/Tilt Strg w/Tilt-Telescopic Strg	—	—	—	—	—	—	1	1	—	—	—	—	2950 563 2925 525
19-14-27	ADAPTER, w/Lower BEARING, except Tilt and Tilt-Telescopic Strg, Saginaw Built	—	—	—	—	—	—	1	1	1	1	1	—	2950 506
		—	—	—	—	—	—	—	—	—	—	—	1	2950 504
	w/Tilt and Tilt-Telescopic Strg	—	—	—	—	—	—	1	1	1	1	1	—	2950 569
		—	—	—	—	—	—	—	—	—	—	—	1	2950 570
19-14-28	COVER, Strg Column Jacket SHROUD, Bowl, w/Floor Shift, w/Tilt and Tilt-Telescopic Strg	1	1	1	1	1	1	1	1	1	1	1	—	2883 306
19-14-35	CLAMP PACKAGE, Instrument Panel Strg Column	—	—	—	—	—	—	1	1	1	1	1	—	2880 282
		1	1	1	—	—	—	—	—	—	—	—	—	3004 710
		—	—	—	1	1	—	—	—	—	—	—	—	3004 711
	SCREW, w/WASHER, Clamp to Strg Column	4	4	4	4	4	—	—	—	—	—	—	—	6026 904
19-14-35	SCREW, Clamp to Support Bracket	1	1	1	1	1	—	—	—	—	—	—	—	6027 402
	WASHER, Clamp to Support Bracket Screw	1	1	1	1	1	—	—	—	—	—	—	—	6027 404
	STUD Clamp	2	2	2	2	2	—	—	—	—	—	—	—	6027 947
19-14-36	SPACER, Instrument Panel Strg Column Clamp	3	3	3	3	3	—	—	—	—	—	—	—	2950 150
	SPACER, Strg Column Support Bracket	—	—	—	—	—	3	3	3	3	3	3	3	2950 150
19-14-38	INSULATOR, Strg Column Shaft Bearing Upper, except Tilt and Tilt-Telescopic Strg, Chrysler Built	1	1	1	1	1	1	1	1	1	1	1	—	2925 491
19-14-47	NUT, Lock, Upper Bearing, w/Tilt Strg	—	—	—	—	—	—	1	1	—	—	—	—	2950 533
19-14-48	LEVER, Strg Column Release, w/Tilt and Tilt-Telescopic Strg	—	—	—	—	—	—	1	1	1	1	1	1	2533 934
	LEVER, w/KNOB, Strg Wheel Locking, w/Tilt-Telescopic Strg	8	—	—	—	—	—	—	—	1	1	1	1	2925 559
	LEVER, Shoe Release, w/Tilt and Tilt-Telescopic Strg	—	—	—	—	—	—	1	1	1	1	1	1	2880 257
19-14-49	TROUGH, Strg Column Wiring Except Tilt and Tilt-Telescopic Strg, Chrysler Built	1	1	1	1	1	—	—	—	—	—	—	—	2880 746
		—	—	—	—	—	—	1	1	1	1	1	—	2950 148
	SCREW	2	2	2	2	2	2	2	2	2	2	2	—	9423 520
19-14-50	BRACE, Instrument Panel Strg Column Clamp to Pedal Bracket	—	—	—	1	1	—	—	—	—	—	—	—	2925 406

TYPE LETTERS Indicates B - Barracuda V - Valiant R - Belvedere P - Plymouth C - Chrysler
L - Dart W - Coronet D - Dodge Y - Imperial

AR Indicates use as required.
= Indicates parts not listed in any previous parts book.

Numerals in parentheses () refer to notes.
★ Indicates change or addition.

Printed in U.S.A.
January 1971

1969 PASSENGER CAR PARTS CATALOG

STEERING

CODE	PART NAME	ENG. TYPE OR CU.IN.	V	B	L	R	W	P	D	C	C	C	Y	PART NUMBER
			1-2	1-2	1-2	1-2	1-2	1-2	1-2	1	2	3	1	

POWER STEERING

19-14-0 STEERING COLUMN JACKET Cont'd.

19-14-51	CLIP, Lower Bearing Adapter, except Tilt and Tilt-Telescopic Strg , Saginaw Built								1	1	1	1	1	2880 325
	w/Tilt and Tilt-Telescopic Strg								1	1	1	1	1	2950 571
19-14-74	COVER, Wiring, except Tilt and Tilt-Telescopic Strg , Saginaw Built								1	1	1	1	1	2950 567
	w/Tilt Strg								1	1				2950 568
19-14-75	GUIDE, Wire, w/Tilt-Telescopic Strg	8								1	1	1	1	2880 362
	GUIDE, Spring, w/Tilt-Telescopic Strg	8								1	1	1	1	2880 361
19-14-79	COVER, Turn Signal Lever Opening, w/Tilt-Telescopic Strg	8								1	1	1	1	2925 009
19-14-80	WEDGE, Locking, w/Tilt-Telescopic Strg									1	1	1	1	2781 672
19-14-81	ROD, Locking, w/Tilt-Telescopic Strg									1	1	1	1	2781 685
19-14-82	PLATE, Lock, w/Tilt and Tilt-Telescopic Strg								1	1	1	1	1	2880 364
	Except Tilt and Tilt-Telescopic Strg , Saginaw Built								1	1	1	1	1	2950 532
19-14-84	SHOE, Strg Wheel Lock, w/Three Positions, w/Tilt and Tilt-Telescopic Strg								1	1	1	1	1	2880 260
	w/Four Positions, w/Tilt and Tilt-Telescopic Strg								1	1	1	1	1	2880 261
19-14-85	SPRING, Shoe, w/Tilt and Tilt-Telescopic Strg								2	2	2	2	2	2880 263
	SPRING, Release Lever, w/Tilt and Tilt-Telescopic Strg								2	2	2	2	2	2880 262
	SPRING, Upper Bearing, except Tilt and Tilt-Telescopic Strg , Saginaw Built								1	1	1	1	1	2950 517
	w/Tilt-Telescopic Strg									1	1	1	1	2781 679
	SPRING, Wheel Tilt, w/Tilt Strg								1	1				2950 566
	w/Tilt-Telescopic Strg									1	1	1	1	2925 524
19-14-89	WASHER, Wave, except Tilt and Tilt-Telescopic Strg , Saginaw Built								1	1	1	1	1	2880 347
	WASHER, Thrust, except Tilt and Tilt-Telescopic Strg , Saginaw Built								1	1	1	1	1	2880 346
	WASHER, Wave, w/Tilt and Tilt-Telescopic Strg								1	1	1	1	1	2880 071
	WASHER, Thrust, w/Tilt and Tilt-Telescopic Strg								1	1	1	1	1	2950 521
19-14-91	WASHER, Spring Thrust, w/Floor Shift, except Tilt and Tilt-Telescopic Strg , Saginaw Built								1	1	1	1	1	2950 521
	RING, Retaining, except Tilt and Tilt-Telescopic Strg , Saginaw built								1	1	1	1	1	2880 335
	Except Tilt and Tilt-Telescopic Strg , Saginaw Built								1	1	1	1	1	2925 062
	RING, Spacer, w/Tilt and Tilt-Telescopic Strg								2	2	2	2	2	2950 516

TYPE LETTERS Indicates

B - Barracuda

V - Valiant
L - Dart

R - Belvedere
W - Coronet

P - Plymouth
D - Dodge

C - Chrysler
Y - Imperial

AR Indicates use as required.

= Indicates parts not listed in any previous parts book.

Numerals in parentheses () refer to notes.

★ Indicates change or addition.

Printed in U.S.A.
January 1971

CODE	PART NAME	ENG. TYPE OR CU.IN.	V	B	L	R	W	P	D	C	C	C	Y	PART NUMBER
			1-2	1-2	1-2	1-2	1-2	1-2	1-2	1	2	3	1	

POWER STEERING

19-14-0 STEERING COLUMN JACKET Cont'd.

19-14-92	PIN, Pivot, w/Tilt and Tilt-Telescopic Strg								2	2	2	2	2		2781 683
	PIN, Release Lever, w/Tilt and Tilt-Telescopic Strg								1	1	1	1	1	1	20 259
	PIN, Dowel, w/Tilt and Tilt-Telescopic Strg								1	1	1	1	1	1	2880 258
	Telescopic Strg								4	4	4	4	4	4	2880 371
19-14-97	SUPPORT, Bearing Housing, w/Auto Trans Column Shift, w/Tilt and Tilt-Telescopic Strg								1	1	1	1	1	1	2950 560
	w/Floor Shift, w/Tilt and Tilt-Telescopic Strg								1	1	1	1	1		2880 273
19-14-98	CARRIER, w/Tilt-Telescopic Strg	8								1	1	1	1		2925 065
19-14-102	BUMPER, Spring, w/Tilt-Telescopic Strg	8								1	1	1	1		2781 684
19-14-104	SNAP RING, Carrier, w/Tilt-Telescopic Strg	8								1	1	1	1		2781 676
19-14-107	SPRING, Cover Retaining, except Tilt and Tilt-Telescopic Strg , Saginaw Built								3	3	3	3	3		2880 830
19-14-108	RETAINER, Spring, w/Tilt and Tilt-Telescopic Strg								1	1	1		1		2880 367

19-15-0 STEERING COLUMN SHAFT AND COUPLING

19-15-1	REPAIR KIT, Collapsible Strg Column Shaft, Except Tilt, Tilt-Telescopic Strg		1	1	1	1	1	1	1	1	1	1	1	1	# 3514 996
	w/Tilt, Tilt-Telescopic Strg								1	1	1	1	1	1	# 3514 995
19-15-4	SHAFT, Strg Column, Except 383 Eng w/383 Eng		1	1	1										2880 170
	Except Tilt and Tilt-Telescopic Strg , Chrysler Built			1	1										2950 132
	Saginaw Built								1	1	1	1	1		2880 172
	SHAFT ASSEMBLY, w/Tilt Strg								1	1	1	1	1		2950 369
	SHAFT ASSEMBLY, w/Tilt-Telescopic Strg								1	1	1	1	1		2950 542
	SHAFT ASSEMBLY, w/Tilt Strg													1	2950 544
	SHAFT ASSEMBLY, w/Tilt-Telescopic Strg								1	1	1	1	1		2950 547
	SHAFT, Upper w/Tilt-Telescopic Strg													1	2950 545
	SHAFT, Lower, 5 30' lgh													1	2950 546
19-15-7	BUMPER, Retracted Strg Shaft, w/Tilt-Telescopic Strg										1	1	1	1	2781 680
19-15-17	COVER, Strg Column Shaft Coupling Body		1	1	1	1	1	1	1	1	1	1	1		2530 538
19-15-20	SPRING, Strg Column Shaft Coupling Ground													1	2768 287
19-15-23	BODY, Strg Column Shaft Coupling		1	1	1	1	1	1	1	1	1	1	1	1	2996 857
	COUPLING, Strg Column Shaft													1	2530 541
	BOLT													4	6026 435
19-15-24	PIN, Strg Column Shaft Lower Coupling		1	1	1	1	1	1	1	1	1	1	1	1	2266 743
19-15-28	SEAL, Strg Column Shaft Coupling Body		1	1	1	1	1	1	1	1	1	1	1	1	2800 741
19-15-33	CLAMP, Strg - Column Shaft Compling Body Cover Retainer		1	1	1	1	1	1	1	1	1	1	1	1	2996 935

TYPE LETTERS Indicates B - Barracuda V - Valiant R - Belvedere P - Plymouth C - Chrysler L - Dart W - Coronet D - Dodge Y - Imperial

AR Indicates use as required. Numerals in parentheses () refer to notes. Printed in U.S.A. January 1971
 = Indicates parts not listed in any previous parts book. ★ Indicates change or addition.

CODE	PART NAME	ENG. TYPE OR CU.IN.	V	B	L	R	W	P	D	C	C	C	Y	PART NUMBER
			1-2	1-2	1-2	1-2	1-2	1-2	1-2	1	2	3	1	

POWER STEERING

19-15-0 STEERING COLUMN SHAFT AND COUPLING Cont'd.

19-15-35	SPRING, Strg Column Shaft Coupling Body		1	1	1	1	1	1	1	1	1	1	1	2925 492
	Pin		1	1	1	1	1	1	1	1	1	1	1	9422 159
19-15-38	WORM, w/PISTON, Strg Gear		1	1	1	1	1	1	1	1	1	1	1	2537 222
19-15-39	SPRING PACKAGE, Strg Gear Recirculating Ball Guide		1	1	1	1	1	1	1	1	1	1	1	2084 215
19-15-43	FLANGE, Strg Column Shaft Coupling,		—	—	—	—	—	—	—	—	—	—	1	2880 737
19-15-44	SHOE, Strg Column Shaft Coupling Body		2	2	2	2	2	2	2	2	2	2	2	2800 738
19-15-60	BEARING, Strg Gear Worm		1	1	1	1	1	1	1	1	1	1	1	2267 372
	BEARING, Strg Gear Thrust		2	2	2	2	2	2	2	2	2	2	2	1822 158
19-15-63	RACE, Strg Gear Thrust Bearing, Inner		1	1	1	1	1	1	1	1	1	1	1	1856 292
	Outer		1	1	1	1	1	1	1	1	1	1	1	1822 156
19-15-65	NUT, Strg Gear Thrust Bearing		1	1	1	1	1	1	1	1	1	1	1	1822 157
19-15-69	SPACER, w/Center RACE, Strg Gear		1	1	1	1	1	1	1	1	1	1	1	1822 390
19-15-95	PLUG, Strg Shaft	8	—	—	—	—	—	—	—	—	—	—	—	2925 059
19-15-111	SHIELD, Strg Column Shaft Coupling		—	—	—	—	—	—	—	—	—	—	1	2852 470

19-19-0 STEERING GEAR SHAFT

19-19-1	SEAL PACKAGE, Strg Gear Cross Shaft Cover		1	1	1	1	1	1	1	1	1	1	1	3004 995
19-19-4	SHAFT, Strg Gear		1	1	1	1	1	—	—	—	—	—	—	2537 775
			—	—	—	—	—	1	1	1	1	1	1	2537 776
19-19-5	SNAP RING, Strg Gear Shaft Seal		1	1	1	1	1	—	—	—	—	—	—	2126 966
			—	—	—	—	—	1	1	1	1	1	1	2127 049
19-19-7	SCREW, Strg Gear Shaft Adjusting		1	1	1	1	1	1	1	1	1	1	1	2267 173
19-19-9	NUT, Strg Gear Shaft Adjusting Screw		1	1	1	1	1	1	1	1	1	1	1	1822 204
19-19-19	BEARING, Strg Gear Shaft		2	2	2	2	2	—	—	—	—	—	—	2126 890
			—	—	—	—	—	2	2	2	2	2	2	2126 760
19-19-21	RING, SPACER, W/Tilt and Tilt-Telescopic Strg		—	—	—	—	—	2	2	2	2	2	2	2950 516
19-19-24	COVER, Strg Gear Shaft		1	1	1	1	1	1	1	1	1	1	1	2537 717
19-19-26	"O" RING, Strg Gear Shaft Cover		1	1	1	1	1	1	1	1	1	1	1	2537 716
19-19-32	NUT, Strg Gear Shaft		1	1	1	1	1	1	1	1	1	1	1	1733 627
19-19-35	OIL SEAL, Strg Gear Shaft		1	1	1	1	1	—	—	—	—	—	—	2537 154
			—	—	—	—	—	1	1	1	1	1	1	2537 153
	SEAL, Strg Gear Worm Shaft		1	1	1	1	1	1	1	1	1	1	1	2267 129
	SEAL, STRG Ger Adjusting Screw		1	1	1	1	1	1	1	1	1	1	1	1822 203
19-19-36	RETAINER, Strg Gear Shaft Seal		1	1	1	1	1	—	—	—	—	—	—	2126 965
			—	—	—	—	—	1	1	1	1	1	1	1670 356
19-19-38	DUST SEAL, Strg Gear Shaft		1	1	1	1	1	—	—	—	—	—	—	2267 351
			—	—	—	—	—	1	1	1	1	1	—	2267 350
19-19-70	SEAL, Strg Gear Worm Sleeve		1	1	1	1	1	1	1	1	1	1	1	1822 324
19-19-71	RING, Strg Gear Worm Seal		1	1	1	1	1	1	1	1	1	1	1	1822 406
19-19-72	SLEEVE, Strg Gear Worm		1	1	1	1	1	1	1	1	1	1	1	1822 320

19-27-0 STEERING LINK GEAR ARM AND IDLER ARM

19-27-2	ARM PACKAGE, Strg Link Gear, except 383 Eng		1	1	1	—	—	—	—	—	—	—	—	3004 807
	383 Eng	8	—	1	1	—	—	—	—	—	—	—	—	3004 809
			—	—	—	1	1	—	—	—	—	—	—	3004 811
			—	—	—	—	—	1	1	1	1	1	—	3004 812
			—	—	—	—	—	—	—	—	—	—	1	3004 813

TYPE LETTERS Indicates

B - Barracuda

V - Valiant
L - Dart

R - Belvedere
W - Coronet

P - Plymouth
D - Dodge

C - Chrysler
Y - Imperial

AR Indicates use as required.
≠ Indicates parts not listed in any previous parts book.

Numerals in parentheses () refer to notes.
★ Indicates change or addition.

Printed in U.S.A.
January 1971

CODE	PART NAME	ENG. TYPE OR CU.IN.	V	B	L	R	W	P	D	C	C	C	Y	PART NUMBER
			1-2	1-2	1-2	1-2	1-2	1-2	1	2	3	1		

POWER STEERING

19-27-0 STEERING LINK GEAR ARM AND IDLER ARM Cont'd.

19-27-8	NUT, Strg Link Gear Arm		1	1	1	1	1	1	1	1	1	1	1	2207 359
	NUT, Strg Link Gear Arm Stud End		1	1	1	1	1	—	—	—	—	—	1	9425 132
19-27-31	ARM, Strg Link Idler		1	1	1	—	—	—	—	—	—	—	—	2835 826
			—	—	—	1	1	—	—	—	—	—	—	2835 834
			—	—	—	—	—	1	1	1	1	1	—	2835 842
			—	—	—	—	—	—	—	—	—	—	1	2835 853
	BOLT, Bracket End		1	1	1	1	1	—	—	—	—	—	—	6027 776
			—	—	—	—	—	1	1	1	1	1	1	6027 777
	NUT, Idler Arm Stud		1	1	1	1	1	1	1	1	1	1	1	9425 132
19-27-33	BRACKET, Front Support Cross-member Strg Linkage Idler Arm		1	1	1	—	—	—	—	—	—	—	—	2883 977
			—	—	—	1	1	—	—	—	—	—	—	2883 996
19-27-40	SEAL, Strg Link Gear Arm Stud End		1	1	1	1	1	—	—	—	—	—	—	2535 800
			—	—	—	—	—	1	1	1	1	1	—	2535 459
			—	—	—	—	—	—	—	—	—	—	1	2535 458
	SEAL, Strg link Idler Arm End		1	1	1	1	1	—	—	—	—	—	—	2835 895
	SEAL, Strg Link Idler Arm Small Socket		—	—	—	—	—	1	1	1	1	1	1	2535 461
19-27-45	BOLT PACKAGE, Strg Link Idler Arm Bracket End		1	1	1	1	1	—	—	—	—	—	—	3004 804
			—	—	—	—	—	1	1	1	1	1	1	3004 805
19-27-50	LINK, Strg Link Center		1	1	1	—	—	—	—	—	—	—	—	2535 077
			—	—	—	1	1	—	—	—	—	—	—	1858 015
			—	—	—	—	—	1	1	1	1	1	—	2269 393
			—	—	—	—	—	—	—	—	—	—	1	2071 861
19-27-51	PLUG, Strg Link Gear Arm End		1	1	1	—	—	1	1	1	1	1	1	1858 115

19-30-0 STEERING WHEEL

19-30-4	WHEEL, Strg , w/Three Spokes and w/o Horn Ring, VL, LL, R1, RL, WL, WT	Blue	1	—	1	1	1	—	—	—	—	—	—	4018 EB8
		Tan	1	—	1	1	1	—	—	—	—	—	—	4018 ET8
		Red	1	—	1	1	1	—	—	—	—	—	—	4018 ER8
		Black	1	—	1	1	1	—	—	—	—	—	—	4018 DX9
	w/Three Spokes, w/Partial and Full Horn Ring	Ring	1	1	1	1	1	—	—	—	—	—	—	4008 EB7
		Green	1	1	1	1	1	—	—	—	—	—	—	4008 EF8
		Red	1	1	1	1	1	—	—	—	—	—	—	4008 ER8
		Tan	1	1	1	1	1	—	—	—	—	—	—	4008 ET8
		Gold	1	1	1	1	1	—	—	—	—	—	—	4008 EY4
		Black	1	1	1	1	1	—	—	—	—	—	—	4007 DX9
	w/Three Spokes, w/Padded Horn Button	Blue	—	1	—	—	—	—	—	—	—	—	—	4072 EB7
		Green	—	1	—	—	—	—	—	—	—	—	—	4072 EF8
		Red	—	1	—	—	—	—	—	—	—	—	—	4072 ER8
		Tan	—	1	—	—	—	—	—	—	—	—	—	4072 ET8
		Black	—	1	—	—	—	—	—	—	—	—	—	4072 EX9
		Wood Grain	1	1	1	1	1	1	1	—	—	—	—	4016 DTT
	w/Three Spokes, w/o Tilt and Tilt-Telescopic Strg ,	Blue	—	—	—	—	—	1	1	—	—	—	—	4054 EB7
		Blue	—	—	—	—	—	—	1	1	1	—	—	4054 EB9
		Green	—	—	—	—	—	1	1	1	1	1	—	4054 EF8
		Black	—	—	—	—	—	1	1	1	1	1	—	4054 EX9
		Red	—	—	—	—	—	1	1	—	—	—	—	4054 ER8

TYPE LETTERS Indicates

B - Barracuda

V - Valiant
L - Dart

R - Belvedere
W - Coronet

P - Plymouth
D - Dodge

C - Chrysler
Y - Imperial

AR Indicates use as required.

≠ Indicates parts not listed in any previous parts book.

Numerals in parentheses () refer to notes.

★ Indicates change or addition.

Printed in U.S.A.

January 1971

1969 PASSENGER CAR PARTS CATALOG

STEERING

CODE	PART NAME	ENG. TYPE OR CU.IN.	V	B	L	R	W	P	D	C	C	C	Y	PART NUMBER
			1-2	1-2	1-2	1-2	1-2	1-2	1-2	1	2	3	1	

POWER STEERING

19-30-0 STEERING WHEEL Cont'd.

19-30-4 WHEEL Cont'd.

	Briar		—	—	—	—	—	—	1	1	1	—	—	4054 EE9
	Tan		—	—	—	—	—	1	1	1	1	—	—	4054 ET8
	Gold Light		—	—	—	—	—	1	1	1	1	—	—	4054 EY4
	Gold, Dark		—	—	—	—	—	1	1	1	1	—	—	4054 EY8
	w/Four Spokes, w/Full Horn Ring, w/o Tilt and Tilt-Telescopic		—	—	—	—	—	—	—	—	—	—	—	
	Blue		—	—	—	—	—	—	1	1	1	—	—	4062 EB9
	Green		—	—	—	—	—	—	1	1	1	—	—	4062 EF8
	Black		—	—	—	—	—	—	1	1	1	—	—	4062 EX9
	Tan		—	—	—	—	—	—	1	1	1	—	—	4062 ET8
	Gold, light		—	—	—	—	—	—	1	1	1	—	—	4062 EY4
	Gold, Dark		—	—	—	—	—	—	1	1	1	—	—	4062 EY8
	Briar		—	—	—	—	—	—	1	1	1	—	—	4062 EE9
	Turquoise		—	—	—	—	—	—	1	1	1	—	—	4062 EQ8
	w/o Tilt-Telescopic Strg		—	—	—	—	—	—	—	—	—	—	—	
	Blue		—	—	—	—	—	—	—	—	—	—	1	4060 EB9
	Green		—	—	—	—	—	—	—	—	—	—	1	4060 EF8
	Burgundy		—	—	—	—	—	—	—	—	—	—	1	4060 EM9
	Black		—	—	—	—	—	—	—	—	—	—	1	4060 EX9
	Turquoise		—	—	—	—	—	—	—	—	—	—	1	4060 EQ8
	Tan		—	—	—	—	—	—	—	—	—	—	1	4060 ET9
	Gold		—	—	—	—	—	—	—	—	—	—	1	4060 EY4
	Red		—	—	—	—	—	—	—	—	—	—	1	4061 ER8
	w/Tilt Strg		—	—	—	—	—	—	1	1	—	—	—	4058 EB7
	Blue		—	—	—	—	—	—	1	1	—	—	—	4058 EF8
	Green		—	—	—	—	—	—	1	1	—	—	—	4058 EX9
	Black		—	—	—	—	—	—	1	1	—	—	—	4058 ET8
	Tan		—	—	—	—	—	—	1	1	—	—	—	4058 EY8
	Gold		—	—	—	—	—	—	1	—	—	—	—	4058 EY8
	Two Tone Gold		—	—	—	—	—	—	1	—	—	—	—	4058 EYY
	w/Tilt-Telescopic Strg		—	—	—	—	—	—	—	—	—	—	—	
	Blue	8	—	—	—	—	—	—	—	1	1	1	1	4058 EB9
	Briar	8	—	—	—	—	—	—	—	1	1	1	—	4058 EE9
	Green	8	—	—	—	—	—	—	—	1	1	1	1	4058 EF8
	Burgundy	8	—	—	—	—	—	—	—	—	—	—	1	4058 EM9
	Black	8	—	—	—	—	—	—	—	1	1	1	1	4058 EX9
	Turquoise	8	—	—	—	—	—	—	—	1	1	1	1	4058 EQ8
	Tan	8	—	—	—	—	—	—	—	1	1	1	—	4058 ET8
	Tan	8	—	—	—	—	—	—	—	—	—	—	1	4058 ET9
	Gold	8	—	—	—	—	—	—	—	1	1	1	—	4058 EY8
	Two Tone Gold	8	—	—	—	—	—	—	—	1	1	1	1	4058 EYY
	Red	8	—	—	—	—	—	—	—	—	—	—	1	4059 ER8

19-30-7	COVER, Strg Wheel Hub, w/Tilt- Telescopic Strg	8	—	—	—	—	—	—	—	1	1	1	1	2950 176
	SCREW	8	—	—	—	—	—	—	—	3	3	3	3	9416 049
19-30-18	NUT, Strg Column Shaft, Strg Wheel Except Tilt-Telescopic Strg		1	1	1	1	1	1	1	—	—	—	—	6028 050
	Tilt-Telescopic Strg		—	—	—	—	—	—	—	1	1	1	1	6028 051
	WASHER		1	1	1	1	1	1	1	1	1	1	1	6025 671
19-30-19	SCREW, w/FLANGE, Strg Wheel Locking, w/Tilt-Telescopic Strg	8	—	—	—	—	—	—	—	1	1	1	1	2925 558

19-31-0 STEERING COLUMN BRACKET OR SUPPORT

19-31-1	BRACKET, Instrument Panel Strg Column Support		1	1	1	—	—	—	—	—	—	—	—	2857 737
	BRACKET, Strg Column Support		—	—	—	—	—	1	1	1	1	1	1	2925 494

TYPE LETTERS Indicates B - Barracuda V - Valiant L - Dart R - Belvedere W - Coronet P - Plymouth D - Dodge C - Chrysler Y - Imperial

AR Indicates use as required.
= Indicates parts not listed in any previous parts book.

Numerals in parentheses () refer to notes.
★ Indicates change or addition.

Printed in U.S.A.
January 1971

CODE	PART NAME	ENG. TYPE OR CU.IN.	V	B	L	R	W	P	D	C	C	C	Y	PART NUMBER
			1-2	1-2	1-2	1-2	1-2	1-2	1-2	1	2	3	1	

POWER STEERING

19-31-0 STEERING COLUMN BRACKET OR SUPPORT Cont'd.

19-31-1	BRACKET Cont'd.													
	HANGER, Strg Column Support Bracket		—	—	—	—	—	1	1	1	1	1	1	2925 456
	SCREW, Bracket to Hanger		—	—	—	—	—	1	1	1	1	1	1	6027 402
	SCREW, w/WASHER, Bracket to Strg Column		—	—	—	—	—	4	4	4	4	4	4	6024 904
	NUT, Support Bracket Stud		—	—	—	—	—	3	3	3	3	3	3	6027 403
	WASHER, Hanger Screw		—	—	—	—	—	2	2	2	2	2	2	6027 404
	STUD, Column Support Bracket		—	—	—	—	2	2	2	2	2	2	—	6027 947
	SCREW, w/WASHER, Strg Column Bracket to Pedal Bracket		—	—	—	—	—	1	1	1	1	1	1	6027 969
19-31-3	CLIP, Strg Column Support Bracket Hanger		—	—	—	—	—	1	1	1	1	1	1	2925 495
19-31-7	BRACE, Instrument Panel Strg Column Brace to Cowl Plenum Bracket		—	—	—	1	1	—	—	—	—	—	—	2889 231
	BRACE, Instrument Panel Strg Column Brace to Strg Column Support Bracket		—	—	—	1	1	—	—	—	—	—	—	2889 232
	BRACE, Instrument Panel Strg Column Support to Bracket		—	—	—	1	1	—	—	—	—	—	—	2927 123
	SCREW, W/WASHER, Brace to Column Support		—	—	—	1	1	—	—	—	—	—	—	6025 329
	SCREW, w/WASHER, Brace to Brace and Gusset		—	—	—	1	1	—	—	—	—	—	—	6025 329

19-46-0 STEERING COLUMN GEARSHIFT TUBE

19-46-3	TUBE, Strg Column Gearshift, w/Man Trans Column Shift		1	1	1	—	—	—	—	—	—	—	—	2925 356
			—	—	—	1	1	—	—	—	—	—	—	2925 357
			—	—	—	—	—	1	1	1	1	—	—	2950 364
	w/Auto Trans Column Shift		1	1	1	1	1	—	—	—	—	—	—	2950 363
	w/Auto Trans Column Shift, except Tilt and Tilt-Telescopic Strg, Chrysler Built		—	—	—	—	—	1	1	1	1	1	—	2950 419
	Saginaw Built		—	—	—	—	—	1	1	1	1	1	—	2950 551
			—	—	—	—	—	—	—	—	—	—	1	2950 552
	w/Floor Shift		1	1	1	—	—	—	—	—	—	—	—	2925 360
	w/Floor Shift, except Tilt and Tilt-Telescopic Strg, Chrysler Built		—	—	—	1	1	1	1	1	1	1	—	2925 361
	Saginaw Built		—	—	—	—	—	1	1	1	1	1	—	2950 553
	w/Auto Trans Column Shift, w/Tilt Strg		—	—	—	—	—	1	1	—	—	—	—	2950 557
	w/Floor Shift, w/Tilt Strg		—	—	—	—	—	1	1	—	—	—	—	2950 558
	w/Auto Trans Column Shift, w/Tilt-Telescopic Strg		—	—	—	—	—	—	—	1	1	1	—	2950 554
			—	—	—	—	—	—	—	—	—	—	1	2950 556
	w/Floor Shift, w/Tilt Telescopic Strg		—	—	—	—	—	—	—	1	1	1	—	2950 555
	SCREW, Tube Bearing, w/Man Trans Column Shift		2	2	2	2	2	2	2	2	—	—	—	9417 749
19-46-8	HOUSING, Strg Column Gearshift, W/Man Trans Column Shift		1	1	1	1	1	—	—	—	—	—	—	2880 994
	w/Auto Trans Column Shift		1	1	1	1	1	—	—	—	—	—	—	2880 997
	Shift, except Tilt and Tilt-Telescopic Strg, Chrysler Built		—	—	—	—	—	1	1	1	1	1	—	2880 994

TYPE LETTERS Indicates B - Barracuda V - Valiant L - Dart R - Belvedere W - Coronet P - Plymouth D - Dodge C - Chrysler Y - Imperial

AR Indicates use as required. Numerals in parentheses () refer to notes. Printed in U.S.A. January 1971
 = Indicates parts not listed in any previous parts book. ★ Indicates change or addition.

1969 PASSENGER CAR PARTS CATALOG

STEERING

CODE	PART NAME	ENG. TYPE OR CU.IN.	V	B	L	R	W	P	D	C	C	C	Y	PART NUMBER
			1-2	1-2	1-2	1-2	1-2	1-2	1-2	1	2	3	1	
POWER STEERING														
19-46-0 STEERING COLUMN GEARSHIFT TUBE-Cont'd														
19-46-8	HOUSING, Strg Column Gearshift Tube, w/Floor Shift, except Tilt and Tilt-Telescopic Strg , Chrysler Built		1	1	1	1	1	1	1	1	1	1	—	2880 076
	BOWL, w/SPRING, w/Auto Trans Column Shift, except Tilt and Tilt- Telescopic Strg , Saginaw Built		—	—	—	—	—	1	1	1	1	1	1	2925 502
	BOWL, Gearshift Lever, w/Floor Shift, except Tilt and Tilt- Telescopic Strg , Saginaw Built		—	—	—	—	—	1	1	1	1	1	—	2880 280
	BOWL, w/SPRING, w/Auto Trans Column Shift, w/Tilt and Tilt- Telescopic Strg		—	—	—	—	—	1	1	1	1	1	1	2925 052
19-46-10	SPRING, Shift Tube Return, w/Floor Telescopic Strg , Saginaw Built		—	—	—	—	—	1	1	1	1	1	—	2950 520
19-46-12	SPACER, Strg Column Gearshift Tube Lever, w/Man Trans Column Shift		1	1	1	1	1	1	1	1	1	—	—	2883 541
	w/Man Trans Column Shift		1	1	1	1	1	1	1	1	1	—	—	2883 357
19-46-13	GROMMET, Gearshift Control Lever Pivot Stud Bracket, w/Auto Trans Floor Shift		1	1	1	1	1	1	1	1	1	1	—	1553 304
	GROMMET, Strg Column Gearshift Tube Lever, w/Auto Trans Column Shift		1	1	1	1	1	1	1	1	1	1	1	1553 304
19-46-14	BUSHING, Strg Column Gearshift Tube Lever Grommet, w/Auto Trans Column Shift		1	1	1	1	1	1	1	1	1	1	1	1553 305
	BUSHING, Gearshift Control Lever Pivot Stud Bracket Grommet, w/Auto Trans Floor Shift		1	1	1	1	1	1	1	1	1	1	—	1553 305
19-46-16	LEVER, Strg Column Gearshift Tube, First and Reverse, w/Man Trans Column Shift		1	1	1	—	—	—	—	—	—	—	—	2880 919 2880 920
19-46-33	SPRING, Strg Column Gearshift Tube, w/Floor Shift, except Tilt and Tilt-Telescopic Strg , Chrysler Built		1	1	1	1	1	1	1	1	1	1	—	2883 401
19-46-50	RING, Shift Tube Retainer, w/Tilt and Tilt-Telescopic Strg		—	—	—	—	—	1	1	1	1	1	1	2880 369
19-46-55	SUPPORT, Strg Column Gearshift Housing, w/Man Trans Column Shift and w/Four Speed and Auto Trans Floor Shift, except Tilt and Tilt-Telescopic Strg , Chrysler Built		1	1	1	1	1	1	1	1	1	1	—	2883 245
	w/Auto Trans Column Shift, except Tilt and Tilt-Telescopic Strg , Chrysler Built		1	1	1	1	1	1	1	1	1	1	—	2925 377 2996 789
19-46-59	ACTUATOR, Column Switch		—	—	—	—	—	—	—	—	—	—	1	2880 396
19-46-60	SPRING, Column Switch Actuator, except Tilt-Telescopic Strg		—	—	—	—	—	—	—	—	—	—	1	2880 396

TYPE LETTERS Indicates

B - Barracuda

V - Valiant
L - Dart

R - Belvedere
W - Coronet

P - Plymouth
D - Dodge

C - Chrysler
Y - Imperial

AR Indicates use as required.

= Indicates parts not listed in any previous parts book.

Numerals in parentheses () refer to notes.

★ Indicates change or addition.

Printed in U.S.A.
January 1971

CODE	PART NAME	ENG. TYPE OR CU.IN.	V	B	L	R	W	P	D	C	C	C	Y	PART NUMBER
			1-2	1-2	1-2	1-2	1-2	1-2	1-2	1	2	3	1	
POWER STEERING														
19-48-0 GEARSHIFT CONTROL ROD														
19-48-1	ROD, Gearshift Control, First and Reverse, w/Man Trans Column Shift		1	1	1	—	—	—	—	—	—	—	—	2781 433
			—	—	—	1	1	—	—	—	—	—	—	2781 401
			—	—	—	—	—	1	1	1	1	—	—	2950 203
	Second and High, w/Man Trans Column Shift		1	1	1	—	—	—	—	—	—	—	—	2781 434
			—	—	—	1	1	—	—	—	—	—	—	2781 400
			—	—	—	—	—	1	1	1	1	—	—	2950 204
	ROD, Gearshift Control, Front, w/Auto Trans Column Shift		1	1	1	—	—	—	—	—	—	—	—	2781 431
			—	—	—	1	1	—	—	—	—	—	—	2467 934
			—	—	—	—	—	1	1	1	1	1	1	2950 037
	Rear, w/Auto Trans Column Shift, w/A904 Trans		1	1	1	—	—	—	—	—	—	—	—	2781 432
	w/A727 Trans		—	1	1	—	—	—	—	—	—	—	—	2800 947
	Rear, w/Auto, Trans Column Shift		—	—	—	1	1	—	—	—	—	—	—	2467 933
			—	—	—	—	—	1	1	1	1	1	—	2950 049
			—	—	—	—	—	—	—	—	—	—	1	2950 871
	CLIP		AR	AR	AR	AR	AR	AR	AR	AR	—	—	—	6025 071
	WASHER		AR	AR	AR	AR	AR	AR	AR	AR	AR	AR	AR	6027 467
	WASHER, Rod Rear		1	1	1	1	1	—	—	—	—	—	—	6017 029
19-48-6	BUSHING, Gearshift control Rod Strg Column Lever, w/Man Trans Column Shift, w/o Silencing Grommets		—	—	—	2	2	2	2	2	2	—	—	2800 804
19-48-7	SMALL PARTS PACKAGE, Gearshift Control, w/Man Trans Column Shift		1	1	1	—	—	—	—	—	—	—	—	2808 426
	w/Man Trans Column Shift, except Police and Taxi		—	—	—	1	1	—	—	—	—	—	—	2808 424
	w/Man Trans Column Shift, w/225 and 318 Eng , except Police and Taxi		—	—	—	—	—	1	1	—	—	—	—	2808 426
	w/Man Trans Column Shift, w/383-2 Bbl Carb Eng		—	—	—	—	—	1	1	1	1	—	—	2808 427
19-48-12	CLAMP, Gearshift Control Rod		AR	AR	AR	AR	AR	AR	AR	AR	AR	AR	AR	2204 274
19-48-16	SWIVEL, Gearshift Control Rod, First and Reverse, w/Man Trans Column Shift		1	1	1	1	1	—	—	—	—	—	—	2800 802
	Second and High, w/Man Trans Column Shift		—	—	—	—	—	1	1	1	1	—	—	2404 859
	Rear, w/Auto Trans , Column Shift		1	1	1	1	1	1	1	1	1	1	1	2467 935
	Lower, w/Auto Trans , Floor Shift		1	1	1	1	1	1	1	1	1	—	—	2467 935
	WASHER, Rear Swivel		1	1	1	1	1	—	—	—	—	—	—	6017 029
19-48-20	WASHER, Gearshift Control Rod Swivel, Second and High, w/Man Trans Column Shift		2	2	2	—	—	—	—	—	—	—	—	1618 918
	First and Reverse, w/Man Trans Column Shift, w/383 Eng	8	—	—	—	—	—	1	1	1	1	—	—	1618 918
	WASHER, Gearshift Control Rod, Second and High, w/Man Trans Column Shift, w/383 Eng	8	—	—	—	—	—	1	1	1	1	—	—	1618 918
19-48-23	CLIP, Gearshift Control Rod		AR	AR	AR	AR	AR	AR	AR	AR	AR	AR	AR	1137 669
	CLIP, Gearshift Control Rod Swivel		AR	AR	AR	AR	AR	AR	AR	AR	AR	AR	AR	1137 669
			AR	AR	AR	AR	AR	—	—	—	—	—	—	1635 232
	CLIP, Gearshift Control Rod Rear Swivel, w/Auto Trans Column Shift		1	1	1	1	1	—	—	—	—	—	—	6025 071

TYPE LETTERS Indicates B - Barracuda V - Valiant L - Dart R - Belvedere W - Coronet P - Plymouth D - Dodge C - Chrysler Y - Imperial

AR Indicates use as required. Numerals in parentheses () refer to notes. Printed in U.S.A.
 = Indicates parts not listed in any previous parts book. ★ Indicates change or addition. January 1971

1969 PASSENGER CAR PARTS CATALOG

STEERING

CODE	PART NAME	ENG. TYPE OR CU.IN.	V	B	L	R	W	P	D	C	C	C	Y	PART NUMBER
			1-2	1-2	1-2	1-2	1-2	1-2	1	2	3	1		
POWER STEERING														
19-48-0 GEARSHIFT CONTROL ROD Cont'd.														
19-48-44	BOOT, w/GASKET, Gearshift Control Torque Shaft, w/Auto Trans Floor Shift		1	1	1	1	1	1	1	1	1	1	—	2781 407
19-48-45	SHAFT, Gearshift Control Torque, w/Auto Trans Column Shift, w/A904 Trans		1	1	1	—	—	—	—	—	—	—	—	2781 425
	w/A727 Trans		—	1	1	—	—	—	—	—	—	—	—	2800 939
	w/A904 Trans		—	—	—	1	1	—	—	—	—	—	—	2800 972
	w/A727 Trans		—	—	—	1	1	—	—	—	—	—	—	2534 407
	w/A904 Trans		—	—	—	—	—	1	—	—	—	—	—	2950 038
	w/A727 Trans		—	—	—	—	—	1	1	1	1	1	1	2950 039
	w/Auto Trans Floor Shift		—	1	1	—	—	—	—	—	—	—	—	2781 414
			—	—	—	1	1	—	—	—	—	—	—	2800 814
			—	—	—	—	—	1	1	1	1	1	—	2800 818
	w/Man Trans Column Shift		—	—	—	—	—	1	1	1	—	—	—	2781 424
	WASHER, w/Auto Trans		2	2	2	2	2	2	2	2	2	2	2	9417 098
	WASHER, w/Man Trans		—	—	—	—	—	2	2	—	—	—	—	6023 085
	WASHER, w/Man Trans		—	—	—	—	—	1	1	—	—	—	—	6023 086
19-48-46	BRACKET, Gearshift Control Torque Shaft Trans, w/Auto Trans Column Shift, except 340 Eng w/340 Eng	8	1	1	1	—	—	—	—	—	—	—	—	2781 429
	w/904 Auto Trans Column Shift		—	—	—	1	1	—	—	—	—	—	—	2800 942
	w/727 Auto Trans Column Shift		—	—	—	1	1	—	—	—	—	—	—	2800 970
	w/904 Auto Trans Column Shift		—	—	—	—	—	1	—	—	—	—	—	2534 513
	w/727 Auto Trans Column Shift, w/Pin (Early built cars)		—	—	—	—	—	—	1	1	1	1	1	2950 044
	w/o Pin (Late Built Cars)		—	—	—	—	—	—	1	1	1	1	1	2950 045
	BRACKET, Gearshift Control Torque Shaft Frame, w/Auto Trans Column Shift		1	1	1	—	—	—	—	—	—	—	—	2950 300
			—	—	—	1	1	—	—	—	—	—	—	2467 932
			—	—	—	—	—	1	1	1	1	1	1	2534 423
			—	—	—	—	—	—	1	1	1	1	1	2950 043
	BRACKET, Gearshift Control Torque Shaft, Upper, w/Auto Trans Floor Shift		—	1	1	—	—	—	—	—	—	—	—	2781 419
			—	—	—	1	1	—	—	—	—	—	—	2660 411
			—	—	—	—	—	1	1	1	1	1	1	2660 412
	Lower, w/Auto Trans Floor Shift		—	1	1	1	1	1	1	1	1	1	—	2660 401
	SCREW		—	2	2	2	2	2	2	2	2	2	—	6026 059
	BRACKET, Gearshift Control Torque Shaft, w/Man Trans Column Shift		—	—	—	—	—	1	1	1	1	—	—	2461 944
19-48-48	PLATE, Gearshift Control Torque Shaft Bracket Mounting, w/Man Trans Column Shift		—	—	—	—	—	1	1	1	1	—	—	2467 946
	SCREW		—	—	—	—	—	1	1	1	1	—	—	9413 197
19-48-49	GROMMET, Gearshift Control Torque Shaft Bracket, w/Man Trans Column Shift		—	—	—	—	—	1	1	1	1	—	—	2208 158
19-48-50	BUSHING, Gearshift Control Torque Shaft Bracket, w/Auto Trans		2	2	2	2	2	2	2	2	2	2	2	2781 420
	BUSHING, Gearshift Control Torque Shaft Bracket Grommet, w/Man Trans Column Shift		—	—	—	—	—	1	1	1	1	—	—	2208 159
19-48-51	SPACER, Gearshift Control Torque Shaft, w/Man Trans Column Shift		—	—	—	—	—	2	2	2	2	—	—	2208 172

TYPE LETTERS Indicates

B - Barracuda

V - Valiant
L - Dart

R - Belvedere
W - Coronet

P - Plymouth
D - Dodge

C - Chrysler
Y - Imperial

AR Indicates use as required.

= Indicates parts not listed in any previous parts book.

Numerals in parentheses () refer to notes.

★ Indicates change or addition.

Printed in U.S.A.
January 1971

CODE	PART NAME	ENG. TYPE OR CU.IN.	V	B	L	R	W	P	D	C	C	C	Y	PART NUMBER
			1-2	1-2	1-2	1-2	1-2	1-2	1-2	1	2	3	1	
POWER STEERING														
19-48-0 GEARSHIFT CONTROL ROD Cont'd.														
19-48-52	RETAINER, Gearshift Control Torque Shaft, w/Man Trans Column Shift								1	1	1	1		1671 569
19-48-53	LEVER, Gearshift Control Torque Shaft Upper, w/Auto Trans Floor Shift			1	1	1	1	1	1	1	1	1		2781 416
19-54-0 POWER STEERING OIL PUMP														
19-54-2	PUMP PACKAGE, Power Strg	6		1	1	1	1	1						3004 801
	w/383 Eng	6							1	1				3004 800
	w/273, 318 and 340 Eng	8		1	1	1								2891 122
	w/383 Eng	8			1	1								3004 801
	w/318, 383 and 440 Eng, w/Key Slotted Shaft	8					1	1						2891 123
	w/318, 383 and 440 Eng, w/Key Slotted Shaft	8							1	1	1			2891 196
	w/318, 383, 426 and 440 Eng, w/3/8" Threaded Hole Shaft	8					1	1	1	1				3004 800
	w/383 and 440 Eng	8							1	1	1	1	1	3004 799
19-54-5	STUD, Strg Pump Mounting, w/Key SLOTTED Pump Drive Shaft	8	2	2	2	2	2	2	2	2	2	2		2537 835
19-54-25	SHAFT, Power Strg Pump Drive, w/Key Slotted Shaft,													
	w/273, 318 and 340 Eng (Early built cars)	8		1	1	1								2537 900
	(Late built cars)	8		1	1	1								2891 168
	w/383 Eng	8							1					2891 168
	w/318, 383 and 440 Eng (Early built cars)	8					1	1	1	1				2537 900
	(Late built cars)	8					1	1	1	1				2891 168
19-54-28	RING, Power Strg Pump Drive Shaft Retaining, w/273, 318 and 340 Eng,													
	(Early built cars)	8		1	1	1								2537 825
	(Late built cars)	8		1	1	1								2891 166
	w/318, 383 and 440 Eng w/Key Slotted Shaft													
	(Early built cars)	8					1	1	1	1				2537 825
	(Late built cars)	8					1	1	1	1				2891 166
	w/383 Eng	8								1				2891 166
19-54-29	SEAL, Power Strg Pump Drive Shaft, w/Key Slotted Pump Drive Shaft,													
	w/273, 318 and 340 Eng	8		1	1	1								2537 899
	w/318, 383 and 440 Eng	8					1	1	1	1				2537 899
	w/363 Eng									1				2537 899
19-54-31	VALVE, Power Strg Pump Flow Control Pressure Relief, w/273, 318 and 340 Eng	8		1	1	1								2891 124
	w/318, 383 and 440 Eng, w/Key Slotted Pump Shaft	8					1	1	1	1				2891 125
19-54-32	SPRING, Power Strg Pump Flow Control Valve, w/3/8 Threaded Hole Pump Rotor Shaft	6		1	1	1	1	1	1	1				2537 926
	w/383 Eng	8			1	1								2537 926
	w/318, 383, 426 and 440 Eng	8					1	1	1	1	1	1	1	2537 926

TYPE LETTERS Indicates

B - Barracuda

V - Valiant
L - Dart

R - Belvedere
W - Coronet

P - Plymouth
D - Dodge

C - Chrysler
Y - Imperial

AR Indicates use as required.

= Indicates parts not listed in any previous parts book.

Numerals in parentheses () refer to notes.

★ Indicates change or addition.

Printed in U.S.A.
January 1971

1969 PASSENGER CAR PARTS CATALOG

STEERING

CODE	PART NAME	ENG. TYPE OR CU.IN.	V	B	L	R	W	P	D	C	C	C	Y	PART NUMBER
			1-2	1-2	1-2	1-2	1-2	1-2	1-2	1	2	3	1	

POWER STEERING

19-54-0 POWER STEERING OIL PUMP Cont'd.

19-54-32 SPRING Cont'd.

	SPRING, Power Strg Pump Flow Control, w/Key Slotted Pump Drive Shaft, w/273, 318 and 340 Eng	8	1	1	1	—	—	—	—	—	—	—	—	2537 833
	w/383 Eng	8	—	—	—	—	—	—	—	1	—	—	—	2537 833
	w/318, 383 and 440 Eng	8	—	—	—	1	1	1	1	—	—	—	—	2537 833

19-54-54

	ROTATING GROUP PACKAGE, Power Strg Pump, w/3/8" Threaded Hole Pump Rotor Shaft	6	1	1	1	1	1	1	1	—	—	—	—	2537 995
	w/383 Eng	8	—	1	1	—	—	—	—	—	—	—	—	2537 995
	w/318, 383, 426 and 440 Eng	8	—	—	—	1	1	1	1	1	1	1	1	2537 995
	REPAIR KIT, Power Strg Pump Vane, w/Key Slotted Pump Drive Shaft, w/273, 318 and 340 Eng	8	1	1	1	—	—	—	—	—	—	—	—	2537 840
	w/318, 383 and 440 Eng	8	—	—	—	1	1	1	1	—	—	—	—	2537 840
	REPAIR KIT, Power Strg Pump Ring Rotor and Vane, w/Key Slotted Pump Drive Shaft, w/273,318 and 340 Eng	8	1	1	1	—	—	—	—	—	—	—	—	2537 837
	w/318, 383 and 440 Eng	8	—	—	—	1	1	1	1	—	—	—	—	2537 837
	w/383 Eng	8	—	—	—	—	—	—	—	1	—	—	—	2537 837

19-54-55

	"O" RING PACKAGE, Power Strg Pump Reservoir, w/3/8" Threaded Hole Pump Rotor Shaft	6	1	1	1	1	1	1	1	—	—	—	—	3004 564
	w/383 Eng	8	—	1	1	—	—	—	—	—	—	—	—	3004 564
	w/318, 383, 426 and 440 ng	8	—	—	—	1	1	1	1	1	1	1	1	3004 564
	"O" RING PACKAGE, Power Strg Pump, w/3/8" Threaded Hole Pump Rotor Shaft	6	1	1	1	1	1	1	1	—	—	—	—	3004 546
	w/383 Eng	8	—	1	1	—	—	—	—	—	—	—	—	3004 546
	w/318, 383, 426 and 440 Eng	8	—	—	—	1	1	1	1	1	1	1	1	3004 546
	SEAL KIT, Power Strg Pump, w/Key Slotted Pump Drive Shaft, w/273, 318 and 340 Eng	8	1	1	1	—	—	—	—	—	—	—	—	2537 838
	w/318, 383 and 440 Eng	8	—	—	—	1	1	1	1	—	—	—	—	2537 838
	w/383 Eng	8	—	—	—	—	—	—	—	1	—	—	—	2537 838

19-54-86

	PULLEY, Power Strg Pump	6	1	1	1	1	1	—	—	—	—	—	—	2951 157
	Except 383 Eng	6	—	—	—	—	—	1	—	—	—	—	—	2946 765
	w/383 Eng	8	1	1	1	—	—	—	—	—	—	—	—	2951 029
	w/Key Slotted Pump Drive Shaft, w/318 Eng	8	—	1	1	—	—	—	—	—	—	—	—	2951 128
	w/383 and 440 eng	8	—	—	—	1	1	1	1	—	—	—	—	2951 029
	w/383 and 440 Eng	8	—	—	—	1	1	—	—	—	—	—	—	2951 203
	w/383 Eng	8	—	—	—	—	—	1	1	—	—	—	—	3418 950
	w/3/8" Threaded Hole Pump Rotor Shaft, w/318 Eng	8	—	—	—	—	—	—	—	1	—	—	—	3418 950
	w/Leece-Neville Alternator, w/383 Eng	8	—	—	—	1	1	—	—	—	—	—	—	3418 248
	w/426 Eng	8	—	—	—	1	1	—	—	—	—	—	—	2951 207
	w/3/8" Threaded Hole Pump Rotor Shaft, w/383 and 440 Eng	8	—	—	—	1	1	—	—	—	—	—	—	2951 207
	w/Leece-Neville Alternator, w/383 and 440 Eng	8	—	—	—	—	—	1	1	1	1	1	1	2951 128
	NUT, Pulley, w/Key Slotted Pump Drive Shaft	8	—	—	—	—	—	1	1	—	—	—	—	2951 207
		8	1	1	1	1	1	1	1	—	—	—	—	6026 656

TYPE LETTERS Indicates

B - Barracuda

V - Valiant
L - Dart

R - Belvedere
W - Coronet

P - Plymouth
D - Dodge

C - Chrysler
Y - Imperial

AR Indicates use as required.

Indicates parts not listed in any previous parts book.

Numerals in parentheses () refer to notes.

★ Indicates change or addition.

Printed in U.S.A.
January 1971

CODE	PART NAME	ENG. TYPE OR CU.IN.	V	B	L	R	W	P	D	C	C	C	Y	PART NUMBER
			1-2	1-2	1-2	1-2	1-2	1-2	1-2	1	2	3	1	
POWER STEERING														
19-54-0 POWER STEERING OIL PUMP Cont'd.														
19-54-91	STRAP, Power Strg Pump Bracket to Water Pump Body	6	1	1	1	1	1	—	—	—	—	—	—	2268 766
19-54-115	BRACKET, Power Strg Pump	6	1	1	1	1	1	—	—	—	—	—	—	3418 930
	Front	6	—	—	—	—	—	1	1	—	—	—	—	2899 803
	Rear	6	—	—	—	—	—	1	1	—	—	—	—	2899 804
	Front, except 383 Eng	8	1	1	1	—	—	—	—	—	—	—	—	2806 197
	Rear, except 383 Eng	8	1	1	1	—	—	—	—	—	—	—	—	2806 198
	w/383 Eng	8	—	1	1	—	—	—	—	—	—	—	—	2951 126
	Front, w/Key Slotted Pump Drive Shaft, w/318 Eng	8	—	—	—	1	1	1	1	—	—	—	—	2806 197
	Rear, w/Key Slotted Pump Drive Shaft, w/318 Eng	8	—	—	—	1	1	1	1	—	—	—	—	2806 198
	Front, w/3/8" Threaded Hole Pump Rotor Shaft, w/318 Eng	8	—	—	—	1	1	—	—	—	—	—	—	2206 191
	Rear, w/3/8" Threaded Hole Pump Rotor Shaft, w/318 Eng	8	—	—	—	1	1	—	—	—	—	—	—	2951 257
	Front, w/Key Slotted Pump Drive Shaft, w/383 and 440 Eng	8	—	—	—	1	1	1	1	—	—	—	—	2951 196
	Rear, w/Key Slotted Pump Drive Shaft, w/383 and 440 Eng	8	—	—	—	1	1	1	1	—	—	—	—	2951 198
	w/3/8" Threaded Hole Pump Rotor Shaft, w/383, 426 and 440 Eng	8	—	—	—	1	1	1	1	1	1	1	1	2951 126
	SCREW, w/WASHER, Front Bracket Lower, w/Key Slotted Pump Drive Shaft	8	2	2	2	2	2	2	2	—	—	—	—	6025 063
	WASHER, Rear Bracket, w/Key Slotted Pump Drive Shaft	8	2	2	2	2	2	2	2	—	—	—	—	6022 190
	BRACKET, Power Strg Pump Engine	6	1	1	1	1	1	—	—	—	—	—	—	2468 011
		6	—	—	—	—	—	1	1	—	—	—	—	2951 075
19-54-123	BOLT, Power Strg Pump Eng Bracket Swivel	6	1	1	1	1	1	—	—	—	—	—	—	2202 850
19-54-126	"O" RING, Power Strg Pump Reservoir Flange, w/3/8" Threaded Hole Pump Rotor Shaft		1	1	1	1	1	1	1	1	1	1	1	2537 869
	"O" RING, Power Strg Pump Rear Plug, w/3/8" Threaded Hole Pump Rotor Shaft		1	1	1	1	1	1	1	1	1	1	1	2537 858
	"O" RING, Power Strg Pump Pressure Plate, w/3/8" Threaded Hole Pump Rotor Shaft		1	1	1	1	1	1	1	1	1	1	1	2537 694
	"O" RING, Power Strg Pump Flow Control Valve Bore, w/3/8" Threaded Hole Pump Rotor Shaft		1	1	1	1	1	1	1	1	1	1	1	1859 444
19-54-130	SNAP RING, Power Strg Pump Rotor Shaft, w/3/8" Threaded Hole Pump Rotor Shaft		2	2	2	2	2	2	2	2	2	2	2	1738 681
	SNAP RING, Power Strg Pump Flow Control Valve Bore Plug, w/3/8" Threaded Hole Pump Rotor Shaft		1	1	1	1	1	1	1	1	1	1	1	2537 866
	SNAP RING, Power Strg Pump Rear Plug, w/3/8" Threaded Hole Pump Rotor Shaft		1	1	1	1	1	1	1	1	1	1	1	2537 859
19-54-132	NUT, Power Strg Pump Eng Bracket Swivel Bolt	6	1	1	1	1	1	—	—	—	—	—	—	2129 684

TYPE LETTERS Indicates

B - Barracuda

V - Valiant
L - Dart

R - Belvedere
W - Coronet

P - Plymouth
D - Dodge

C - Chrysler
Y - Imperial

AR Indicates use as required.

= Indicates parts not listed in any previous parts book.

Numerals in parentheses () refer to notes.

★ Indicates change or addition.

Printed in U.S.A.
January 1971

1969 PASSENGER CAR PARTS CATALOG

STEERING

CODE	PART NAME	ENG. TYPE OR CU.IN.	V	B	L	R	W	P	D	C	C	C	Y	PART NUMBER
			1-2	1-2	1-2	1-2	1-2	1-2	1-2	1	2	3	1	
POWER STEERING														
19-54-0 POWER STEERING OIL PUMP Cont'd.														
19-54-150	SPRING, Power Strg Pump Pressure Plate, w/3/8" Threaded Hole Pump Rotor Shaft	6	1	1	1	1	1	1	1	—	—	—	—	2537 958
	w/383 Eng	8	—	1	1	—	—	—	—	—	—	—	—	2537 958
	w/Key Slotted Pump Drive Shaft	8	—	—	—	1	1	1	1	1	1	1	1	2537 958
		8	1	1	1	1	1	1	1	—	—	—	—	2537 834
19-54-151	OIL, SEAL, Power Strg Pump Rotor Shaft, w/3/8" Threaded Hole Pump Rotor Shaft	6	1	1	1	1	1	1	1	—	—	—	—	2537 689
	w/383 Eng	8	—	1	1	—	—	—	—	—	—	—	—	2537 689
		8	—	—	—	1	1	1	1	1	1	1	1	2537 689
	SEAL, Power Strg Pump, w/Key Slotted Pump Drive Shaft	8	1	1	1	1	1	1	1	—	—	—	—	2537 830
	SEAL, Power Strg Pump Union Rectangular Section, w/Key Slotted Pump Drive Shaft	8	1	1	1	1	1	1	1	—	—	—	—	2537 829
	RING, Power Strg Pump End and Pressure Plate "O" Ring, w/Key Slotted Pump Drive Shaft	8	2	2	2	2	2	2	2	2	—	—	—	2537 827
19-54-152	PLATE, Power Strg Pump End, w/key Slotted Pump Drive Shaft	8	1	1	1	1	1	1	1	—	—	—	—	2537 820
19-54-153	RING, Power strg Pump End Plate Retaining, w/Key Slotted Pump Drive Shaft	8	1	1	1	1	1	1	1	—	—	—	—	2537 823
19-54-154	PLATE, Power Strg Pump Pressure, w/key Slotted Pump Drive Shaft	8	1	1	1	1	1	1	1	—	—	—	—	2537 821
19-54-156	PLATE, Power Strg Pump Thrust, w/Key Slotted Pump Drive Shaft	8	1	1	1	1	1	1	1	—	—	—	—	2537 822
19-54-157	KEY, Power Strg Pump Drive Shaft, w/Key Slotted Pump Drive Shaft	8	1	1	1	1	1	1	1	—	—	—	—	2537 818
19-54-178	DOWEL PIN, Power Strg Pump Cam, w/PLATE, w/3/8" Threaded Hole Pump Rotor Shaft	6	1	1	1	1	1	1	—	—	—	—	—	2537 503
	w/383 Eng	8	—	1	1	—	—	—	—	—	—	—	—	2537 503
		8	—	—	—	1	1	1	1	1	1	1	1	2537 503
	DOWEL PIN, Power Strg Pump Ring, w/Key Slotted Pump Drive Shaft	8	2	2	2	2	2	2	2	2	—	—	—	2537 819
19-54-180	RESERVOIR, Power Strg Pump Oil w/3/8" Threaded Hole Pump Rotor Shaft	6	1	1	1	1	1	1	1	—	—	—	—	2891 156
	w/383 Eng	8	—	1	1	—	—	—	—	—	—	—	—	2891 156
		8	—	—	—	1	1	1	1	1	1	1	1	2891 156
	w/Key Slotted Pump Drive Shaft	8	1	1	1	1	1	1	1	—	—	—	—	2537 836
19-54-181	SEAL, Power Strg Pump Oil Reservoir Mounting, w/3/8" Threaded Hole Pump Rotor Shaft	6	1	1	1	1	1	1	1	—	—	—	—	2127 486
	w/383 Eng	8	—	1	1	—	—	—	—	—	—	—	—	2127 486
		8	—	—	—	1	1	1	1	1	1	1	1	2127 486
	SEAL, Power Strg Pump Reservoir "O" Ring, w/Key Slotted Pump Drive Shaft	8	1	1	1	1	1	1	1	—	—	—	—	2537 828
	SEAL, Power Strg Pump Reservoir Rectangular Section, w/Key Slotted Pump Drive Shaft	8	1	1	1	1	1	1	1	—	—	—	—	2537 831

TYPE LETTERS Indicates
 B - Barracuda V - Valiant R - Belvedere P - Plymouth C - Chrysler
 L - Dart W - Coronet D - Dodge Y - Imperial

AR Indicates use as required.
 = Indicates parts not listed in any previous parts book.

Numerals in parentheses () refer to notes.
 ★ Indicates change or addition.

Printed in U.S.A.
 January 1971

CODE	PART NAME	ENG. TYPE OR CU.IN.	V	B	L	R	W	P	D	C	C	C	Y	PART NUMBER
			1-2	1-2	1-2	1-2	1-2	1-2	1-2	1	2	3	1	
POWER STEERING														
19-54-0 POWER STEERING OIL PUMP Cont'd.														
19-54-182	CAP, Power Strg Pump Oil Reservoir, w/3/8" Threaded Hole Pump Rotor Shaft	6	1	1	1	1	1	1	1	—	—	—	—	2267 694
	w/383 Eng	8	—	1	1	—	—	—	—	—	—	—	—	2267 694
	w/Key Slotted Pump Drive Shaft	8	—	—	—	1	1	1	1	1	1	1	1	2267 694
		8	1	1	1	1	1	1	1	1	—	—	—	2537 814
19-54-196	COOLER, Power Strg Pump Oil w/273, 318 and 440 Engine	8	1	1	1	—	—	—	—	—	—	—	—	2891162
	w/383 and 440 Engines	8	—	—	—	1	1	—	—	—	—	—	—	2891 162
19-54-213	GASKET, Power Strg Pump Front Plate to Housing		1	1	1	1	1	1	1	1	1	1	1	2891 165
19-54-219	PLUG, Power Strg Pump Flow Control Valve Bore, w/3/8" Threaded Hole Pump Rotor Shaft	6	1	1	1	1	1	1	1	—	—	—	—	2537 865
	w/383 Eng	8	—	1	1	—	—	—	—	—	—	—	—	2537 865
	PLUG, Power Strg Pump Rear, w/3/8" Threaded Hole Pump Rotor Shaft	6	1	1	1	1	1	1	1	—	—	—	—	2537 959
	w/383 Eng	8	—	1	1	—	—	—	—	—	—	—	—	2537 959
		8	—	—	—	1	1	1	1	1	1	1	1	2537 959
19-54-225	FITTING, Power Strg Pump Discharge, w/Key Slotted Pump Drive Shaft	8	1	1	1	1	1	1	1	—	—	—	—	2537 815
19-54-243	SEAT, Power Strg Pump Flow Control Relief Valve, w/3/8" Threaded Hole Pump Rotor Shaft	6	1	1	1	1	1	1	1	—	—	—	—	2537 863
	w/383 Eng	8	—	1	1	—	—	—	—	—	—	—	—	2537 863
		8	—	—	—	1	1	1	1	1	1	1	1	2537 863
19-54-258	SEAL, Power Strg Pump Front Plate to Housing, w/3/8" Threaded Hole Pump Rotor Shaft	6	1	1	1	1	1	1	1	—	—	—	—	2891 176
	w/383 Eng	8	—	1	1	—	—	—	—	—	—	—	—	2891 176
		8	—	—	—	1	1	1	1	1	1	1	1	2891 176
19-54-263	SHAFT, Power Strg Pump Rotor, w/3/8" Threaded Hole Shaft	6	1	1	1	1	1	1	—	—	—	—	—	2537 095
	w/383 Eng	8	—	1	1	—	—	—	—	—	—	—	—	2537 095
		8	—	—	—	1	1	1	1	1	1	1	1	2537 095

19-56-0 POWER STEERING GEAR PISTON

19-56-6	RING, Strg Gear Piston		1	1	1	1	1	1	1	1	1	1	1	1822 672
	"O" RING, Strg Gear Piston		1	1	1	1	1	1	1	1	1	1	1	1822 671
19-56-22	"O" RING, Strg Gear Ferrule		1	1	1	1	1	1	1	1	1	1	1	1486 205
19-56-83	SPRING, Strg Gear Pressure Control Valve		1	1	1	1	1	1	1	1	1	1	1	1822 442
19-56-90	"O" RING, Strg Gear Pressure Control Valve		1	1	1	1	1	1	1	1	1	1	1	1536 268

19-57-0 POWER STEERING GEAR VALVES

19-57-1	SEAL PACKAGE, Power Strg Gear Valve		1	1	1	1	1	1	1	1	1	1	1	2279 985
19-57-3	VALVE, Strg Gear, except B2, L2 w/383 Eng and R2, W2 w/426 Eng		1	1	1	1	1	1	1	1	1	1	1	2537 390
	B2, L2 w/383 Eng and R2, W2 w/426 Eng	8	—	1	1	1	1	—	—	—	—	—	—	2537 391
	SCREW, Mounting		2	2	2	2	2	2	2	2	2	2	2	9408 948

TYPE LETTERS Indicates

B - Barracuda

V - Valiant
L - Dart

R - Belvedere
W - Coronet

P - Plymouth
D - Dodge

C - Chrysler
Y - Imperial

AR Indicates use as required.
= Indicates parts not listed in any previous parts book.

Numerals in parentheses () refer to notes.
★ Indicates change or addition.

Printed in U.S.A.
January 1971

1969 PASSENGER CAR PARTS CATALOG

STEERING

CODE	PART NAME	ENG. TYPE OR CU.IN.	V	B	L	R	W	P	D	C	C	C	Y	PART NUMBER
			1-2	1-2	1-2	1-2	1-2	1-2	1	2	3	1		

POWER STEERING

19-57-0 POWER STEERING GEAR VALVES Cont'd.

19-57-3 VALVE Cont'd.

19-57-13	"O" RING, Strg Gear Valve Housing		1	1	1	1	1	1	1	1	1	1	1	1733 612
19-57-16	GASKET, Strg Gear Valve Plug		1	1	1	1	1	1	1	1	1	1	1	1733 724
19-57-19	ADAPTER, Strg Gear Return Hose		1	1	1	1	1	1	1	1	1	1	1	2537 228
19-57-20	GASKET, Strg Gear Return Hose Adapter		1	1	1	1	1	1	1	1	1	1	1	2537 229
19-57-63	LEVER, Strg Gear Valve		1	1	1	1	1	1	1	1	1	1	1	1822 380
19-57-64	SPRING, Strg Gear Valve Lever		1	1	1	1	1	1	1	1	1	1	1	1823 151

19-58-0 POWER STEERING HOSE

19-58-7	HOSE PACKAGE Power Strg Pump Pressure	6	1	1	1	1	1	1	1	—	—	—	—	3004 835
	HOSE, except 383 Eng	8	1	1	1	—	—	—	—	—	—	—	—	2891 078
	HOSE PACKAGE, w/383 Eng w/3/8" Threaded Hole Pump Rotor	8	—	1	1	—	—	—	—	—	—	—	—	3004 834
	Shaft, except 426 Eng	8	—	—	—	1	1	—	—	—	—	—	—	3004 833
	w/426 Eng	8	—	—	—	1	1	—	—	—	—	—	—	3004 893
	HOSE, w/Key Slotted Pump Drive Shaft, except 426 Eng	8	—	—	—	1	1	1	1	—	—	—	—	2891 078
	HOSE PACKAGE w/3/8" Threaded Hole Pump Rotor Shaft, w/383 and 440 Eng	8	—	—	—	—	—	1	1	1	1	1	—	3004 887
		8	—	—	—	—	—	—	—	—	—	—	1	3004 836
19-58-9	SLEEVE, Power Strg Pump Return Hose, w/383 Eng		—	1	1	—	—	—	—	—	—	—	—	2537 803
	w/426 Eng		—	—	—	1	1	—	—	—	—	—	—	2537 803
19-58-14	HOSE, Power Strg Pump Return Power Strg Pump Oil Cooler to Pump, w/273, 318 and 340 Engines	8	1	1	1	—	—	—	—	—	—	—	—	2537 699
	w/383 and 440 Engines	8	—	—	—	1	1	—	—	—	—	—	—	2537 699
	CLAMP		2	2	2	2	2	2	2	2	2	2	2	6026 873
19-58-15	ADAPTER, Power Strg Gear Pressure Hose, except 383 Eng		1	1	1	—	—	—	—	—	—	—	—	2537 386
	383 Eng		—	1	1	—	—	—	—	—	—	—	—	2537 392
	Except 426 Eng		—	—	—	1	1	—	—	—	—	—	—	2537 386
	426 Eng		—	—	—	1	1	—	—	—	—	—	—	2537 392
			—	—	—	—	—	1	1	1	1	1	1	2537 386
19-58-18	"O" RING, Strg Gear Pressure Hose Adapter, w/383 Eng	8	—	1	1	—	—	—	—	—	—	—	—	2267 530
	w/426 Eng	8	—	—	—	1	1	—	—	—	—	—	—	2267 530
	"O" RING, Power Strg Pump Pressure Hose Fitting, w/3/8" Threaded Hole Pump Rotor Shaft		1	1	1	1	1	1	1	1	1	1	1	1859 445
19-58-21	NUT, Strg Gear Pressure Hose Adapter, w/383 Eng	8	—	1	1	—	—	—	—	—	—	—	—	2267 529
	w/426 Eng	8	—	—	—	1	1	—	—	—	—	—	—	2267 529
	NUT, Power Strg Pressure Hose Pump, w/Key Slotted Pump Drive Shaft	8	1	1	1	1	1	1	1	—	—	—	—	1856 993
19-58-31	GASKET, Strg Gear Pressure Hose Adapter, w/o 383 Eng		1	1	1	—	—	—	—	—	—	—	—	1618 611
	w/o 426 Eng		—	—	—	1	1	1	1	1	1	1	1	1618 611

TYPE LETTERS Indicates

B - Barracuda

V - Valiant
L - Dart

R - Belvedere
W - Coronet

P - Plymouth
D - Dodge

C - Chrysler
Y - Imperial

AR Indicates use as required.

= Indicates parts not listed in any previous parts book.

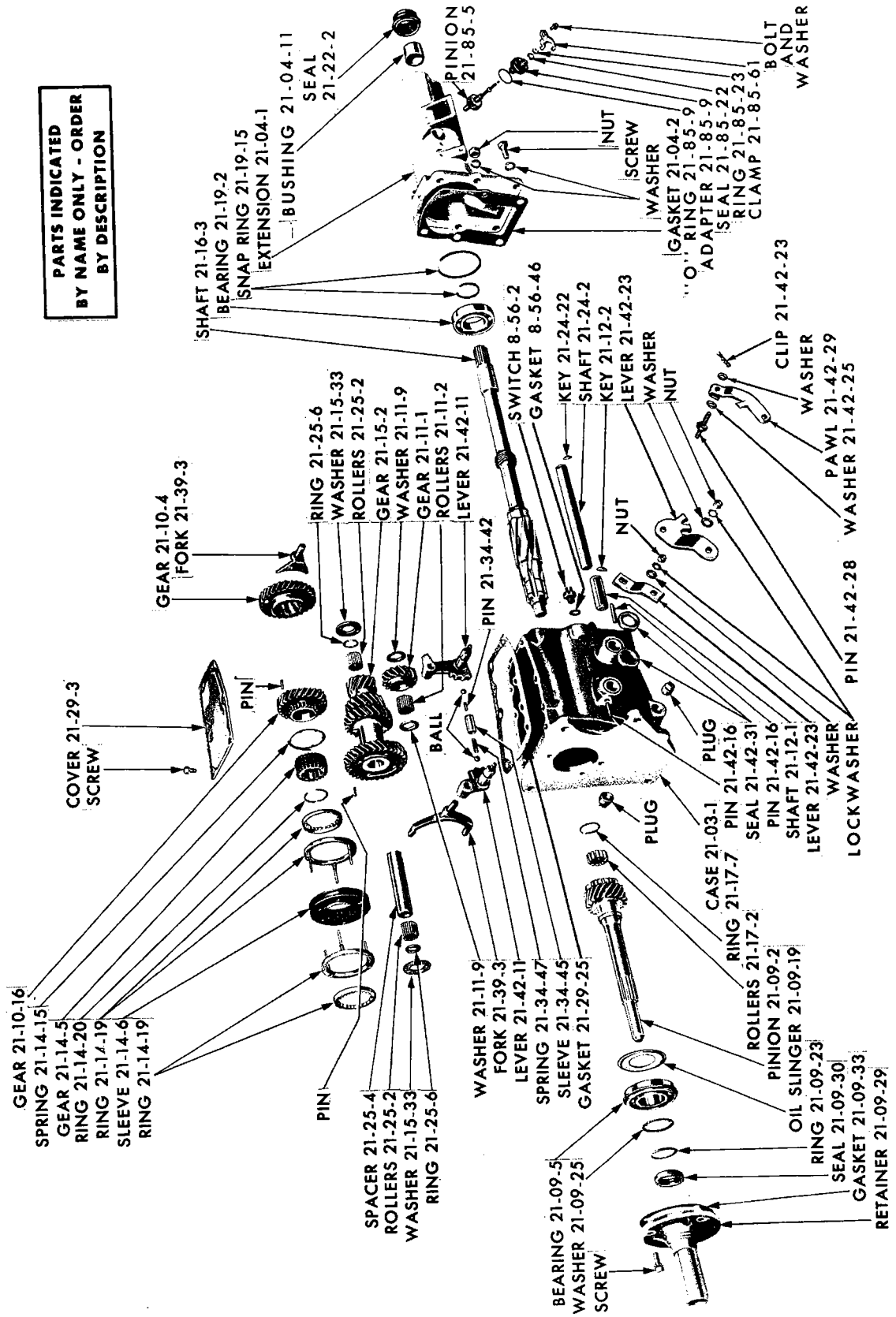
Numerals in parentheses () refer to notes.

★ Indicates change or addition.

Printed in U.S.A.
January 1971

GROUP 21 - TRANSMISSION

PARTS INDICATED
BY NAME ONLY - ORDER
BY DESCRIPTION

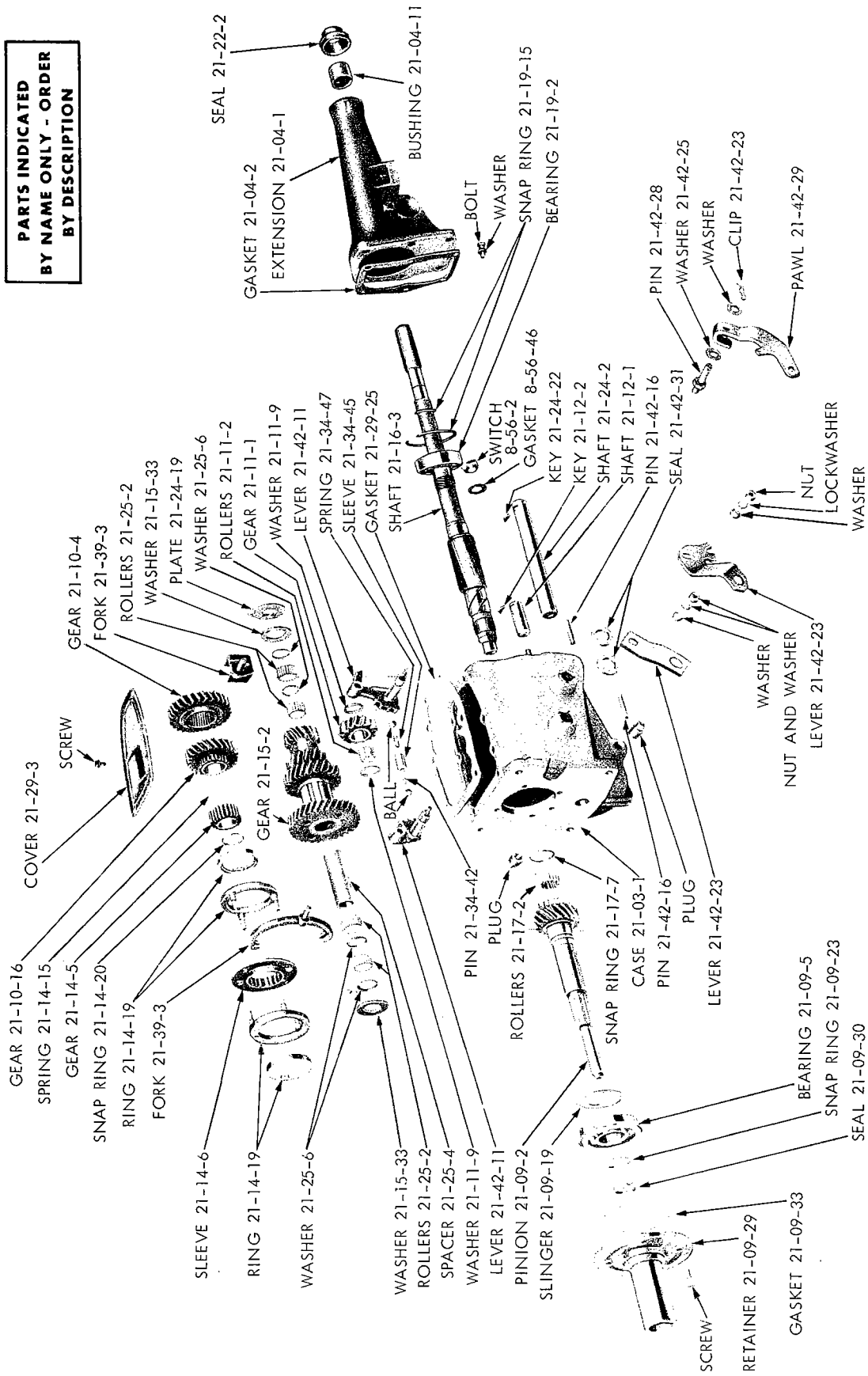


19x9800E

MANUAL 3 SPEED TRANSMISSION (6 CYLINDER) - VALIANT, BARRACUDA, DART,
BELVEDERE, CORONET AND PLYMOUTH (A903)

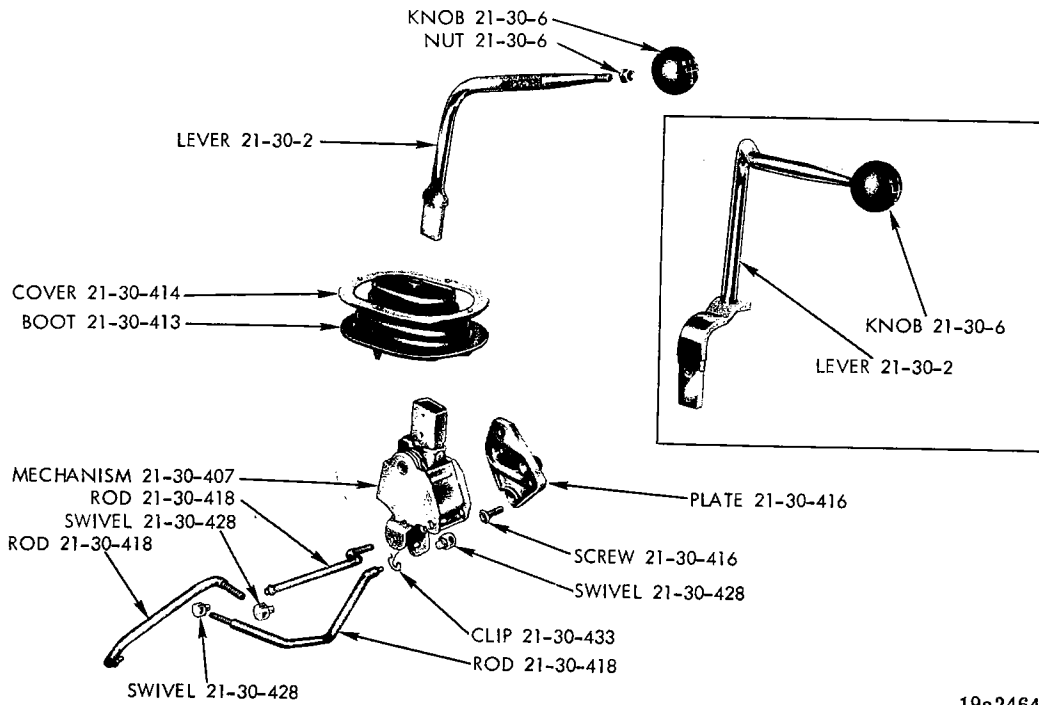
1969 PASSENGER CAR PARTS CATALOG

**PARTS INDICATED
 BY NAME ONLY - ORDER
 BY DESCRIPTION**

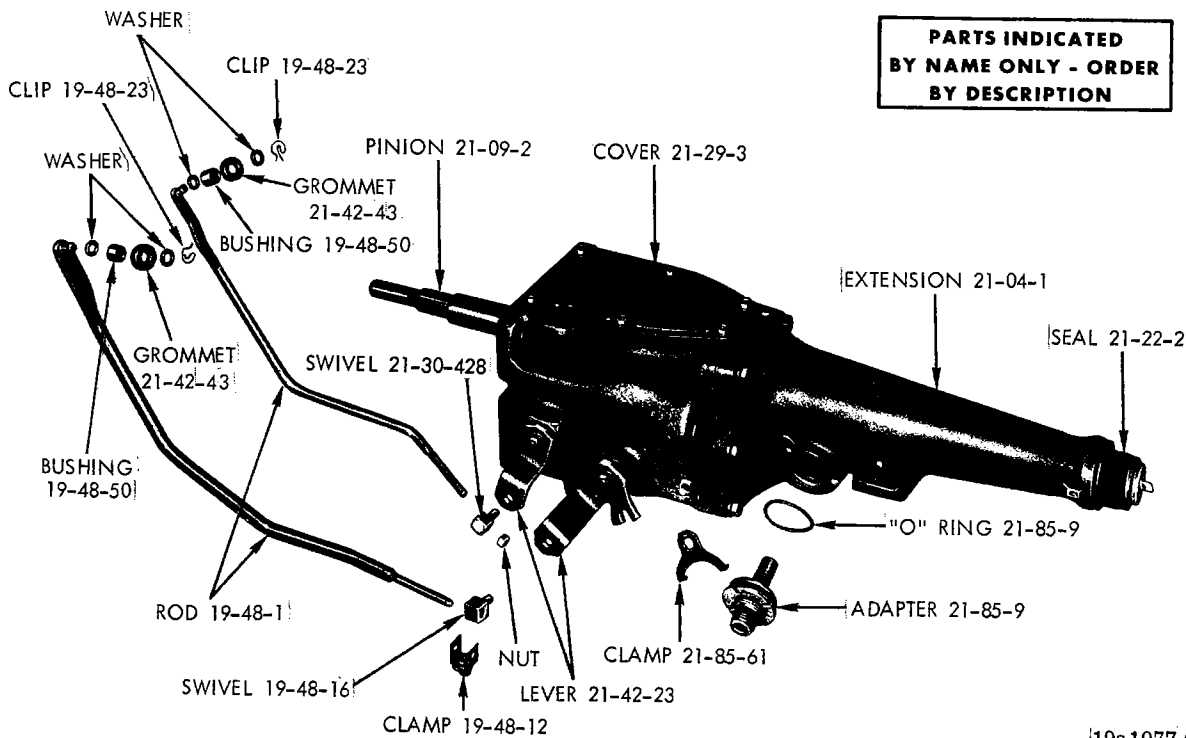


19a0364C

MANUAL 3 SPEED TRANSMISSION (6 AND 8 CYLINDER) - VALIANT, BARRACUDA, DART,
 BELVEDERE, CORONET, PLYMOUTH, DODGE AND CHRYSLER (A745)

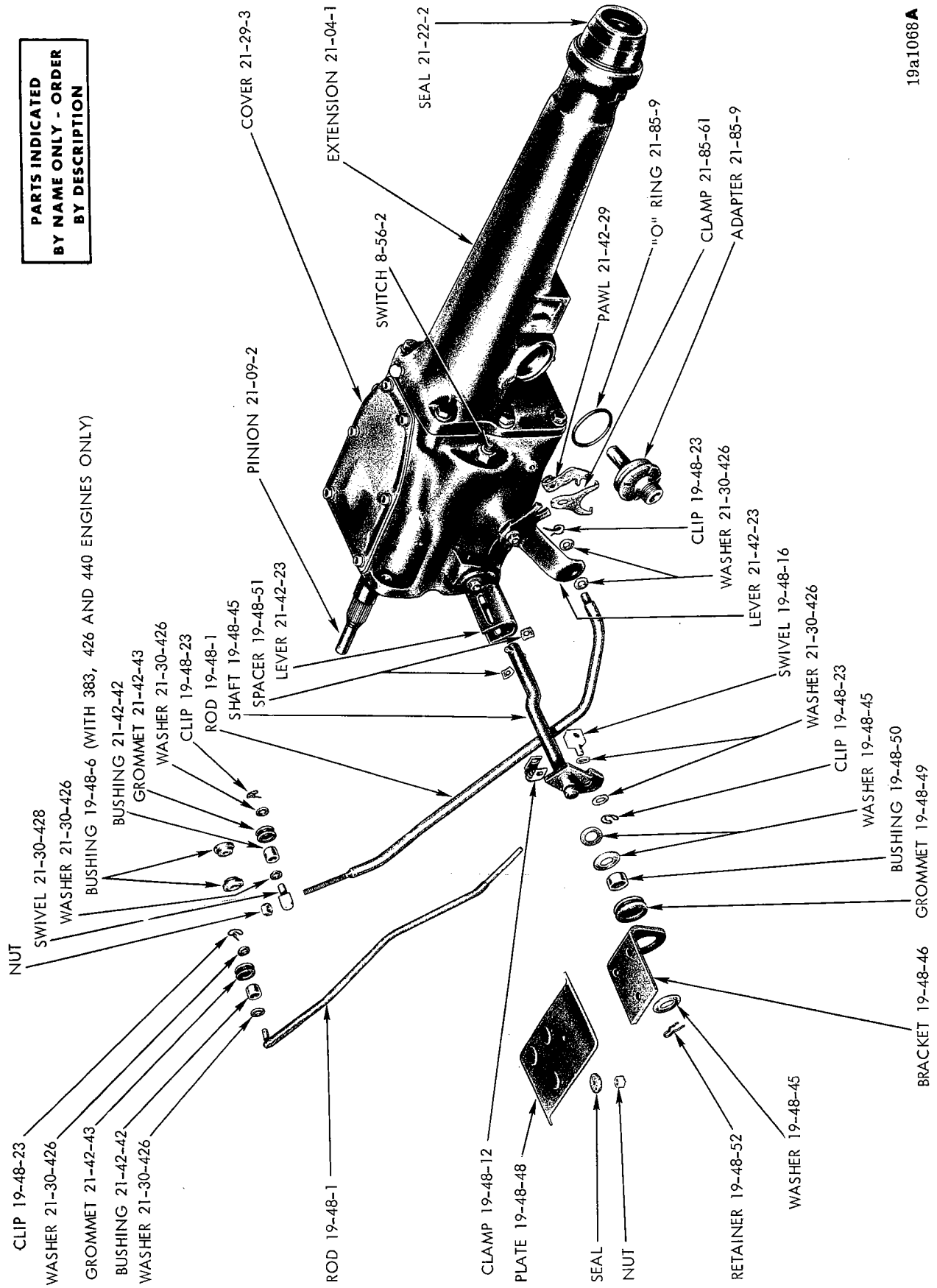


MANUAL 4 SPEED TRANSMISSION CONTROLS (HURST TYPE)



GEARSHIFT CONTROLS (MANUAL 3 SPEED TRANSMISSION) - VALIANT, BARRACUDA, DART, BELVEDERE AND CORONET

**PARTS INDICATED
BY NAME ONLY - ORDER
BY DESCRIPTION**



19a1068A

GEARSHIFT CONTROLS (MANUAL 3 SPEED TRANSMISSION) - PLYMOUTH, DODGE AND CHRYSLER (A745)

CODE	PART NAME	ENG. TYPE OR CU.IN.	V	B	L	R	W	P	D	C	C	C	Y	PART NUMBER
			1-2	1-2	1-2	1-2	1-2	1-2	1-2	1	2	3	1	
MANUAL TRANSMISSION														
21-02-0 TRANSMISSION														
NOTE: Transmission component parts for the transmission assemblies shown in code 21-02-1 below are catalogued in charted style after code 21-119-11. The respective service transmission part number and complete type code (A745-A903 etc.) is designated at the top of each column, and must be verified before specifying components.														
21-02-1	Transmission w/170 eng., A903	6	1	—	1	—	—	—	—	—	—	—	—	3410 611
	w/170 eng., export, A903	6	—	1	—	—	—	—	—	—	—	—	—	3410 611
	V, L, w/170, 225, 273 and 318 Eng., B, w/170, 225 and 318 eng., A745		1	1	1	—	—	—	—	—	—	—	—	3410 613
	w/170 and 225 Eng., Export, w/4 speed Trans., A833	6	1	1	1	—	—	—	—	—	—	—	—	3410 607
	V, L, w/273 and 318 Eng., B, w/318 Eng., B, L, w/340 and 383 Eng., w/4 Speed Trans., A833	8	1	1	1	—	—	—	—	—	—	—	—	3410 608
	w/225 Eng., A903	6	1	1	1	1	1	1	—	—	—	—	—	3410 612
	R, W, P, w/225 and 318 Eng., D2, w/318 Eng., A745		—	—	—	1	1	1	1	—	—	—	—	3410 614
	R, W, w/383 Eng., w/4 bbl. carb., w/4 Speed Trans., A833	8	—	—	—	1	1	—	—	—	—	—	—	3410 609
	R, W, w/426 and 440 Eng., w/4 bbl. Carb., w/4 Speed Trans., A833	8	—	—	—	1	1	—	—	—	—	—	—	3410 610
	w/383 Eng., w/2 bbl. Carb., D2, A745	8	—	—	—	—	—	1	1	1	—	—	—	3410 615
	w/A903 Trans., D1	Canada 6	—	—	—	—	—	—	1	—	—	—	—	3410 612
	w/A745 Trans., D1	Canada 6	—	—	—	—	—	—	1	—	—	—	—	3410 614

21-30-0 TRANSMISSION GEARSHIFT LEVER AND RODS

21-30-2	LEVER, w/KNOB, Column Shift, 3 Speed Trans., D2, Chrysler Blt.		1	1	1	1	1	1	1	1	—	—	—	2883 438
	w/4 Speed Trans., w/o Console, w/o Knob used UP TO Approx. Jan. 17, 1969		1	1	1	—	—	—	—	—	—	—	—	2950 054
	w/4 Speed Trans., w/o Console, w/o Knob, used AFTER Approx. Jan. 17, 1969		1	1	1	—	—	—	—	—	—	—	—	2996 313
	w/4 Speed Trans., w/Console, w/o Knob		—	1	1	—	—	—	—	—	—	—	—	2950 055
	w/4 Speed Trans., w/o Console, w/o Knob, R2, W2		—	—	—	1	1	—	—	—	—	—	—	2950 056
	w/4 Speed Trans., w/Console, w/o Knob		—	—	—	1	1	—	—	—	—	—	—	2950 057
	LEVER, w/Knob, D1 Canada	6	—	—	—	—	—	—	1	—	—	—	—	2883 438
	PIN, Spring, 3/16" x 7/8" Slot Type		1	1	1	1	1	—	—	—	—	—	—	152 233
21-30-6	KNOB, Gearshift Lever Control, w/4 Speed Trans., Wood Grained Type, R2, W2,		1	1	1	1	1	—	—	—	—	—	—	2950 213
	w/3 Speed Trans., Floor Shift, Canada		1	1	1	—	—	—	—	—	—	—	—	2996 480
	NUT, Gearshift Lever Knob Lock, W/4 Speed Trans.		1	1	1	1	1	—	—	—	—	—	—	6026 132
21-30-7	RING, Column Gearshift Lever Insulator, W/3 Speed Trans., Rubber, 5/32" thk.		1	1	1	1	1	1	1	1	—	—	—	2530 199
21-30-19	COVER, Gearshift Indicator Hole Opening, w/Black Face		—	—	—	—	—	—	1	1	—	—	—	2927 067
	w/Black Face 2 53/64" lgh.	8	—	—	—	—	—	—	—	1	—	—	—	2927 258

TYPE LETTERS Indicates

B - Barracuda

V - Valiant
L - DartR - Belvedere
W - CoronetP - Plymouth
D - DodgeC - Chrysler
Y - Imperial

AR Indicates use as required.

Indicates parts not listed in any previous parts book.

Numerals in parentheses () refer to notes.

★ Indicates change or addition.

Printed in U.S.A.
January 1971

CODE	PART NAME	ENG. TYPE OR CU.IN.	V	B	L	R	W	P	D	C	C	C	Y	PART NUMBER
			1-2	1-2	1-2	1-2	1-2	1-2	1-2	1	2	3	1	
MANUAL TRANSMISSION														
21-30-0 TRANSMISSION GEARSHIFT LEVER AND RODS Cont'd.														
21-30-22	PIN, Strg. Column Gearshift Lever, 29/32" lgh., Knurled Below Head, Saginaw Type		—	—	—	—	—	1	1	1	—	—	—	2880 725
21-30-43	SPRING, Strg. Column Gearshift Lever Pivot, w/3 Speed		1	1	1	1	1	1	1	1	—	—	—	2643 649
21-30-407	MECHANISM, Gearshift Control, w/4 Speed Trans., R2, W2,		1	1	1	1	1	—	—	—	—	—	—	2950 060
	BOLT, 3" lgh.		1	1	1	1	—	—	—	—	—	—	—	181 130
	WASHER, Mtg., Coned Type, 3/8" I.D. 7/16" I.D.		1	1	1	1	—	—	—	—	—	—	—	6022 190
21-30-413	BOOT, w/PLATE, Gearshift Control Lever, w/Console		—	1	1	—	—	—	—	—	—	—	—	6023 050
	W/4 Speed Trans., W/O Console,		1	1	1	—	—	—	—	—	—	—	—	2660 422
	w/4 Speed Trans., w/Console		—	1	1	—	—	—	—	—	—	—	—	2950 201
	w/4 Speed Trans., w/o Console, R2, W2		—	—	—	1	1	—	—	—	—	—	—	2660 422
	w/4 Speed Trans., w/Console		—	—	—	1	1	—	—	—	—	—	—	2950 074
	SCREW, Boot, w/4 Speed Trans.		4	4	4	4	4	—	—	—	—	—	—	2996 454
21-30-414	COVER, Gearshift Control Lever Boot, w/4 Speed Trans. Oblong Type		1	1	1	—	—	—	—	—	—	—	—	9415 537
	w/4 Speed Trans., w/o Console, R2, W2	8	—	—	—	1	1	—	—	—	—	—	—	2660 393
21-30-416	PLATE, Gearshift Control Mechanism Mtg., w/4 Speed Trans.		1	1	1	—	—	—	—	—	—	—	—	2534 511
	w/4 Speed Trans., R2, W2		—	—	—	1	1	—	—	—	—	—	—	2950 205
	BOLT, Mechanism Mtg. Plate w/4 Speed Trans.		3	3	3	—	—	—	—	—	—	—	—	2950 206
			—	—	—	3	3	—	—	—	—	—	—	6024 554
21-30-418	ROD, Gearshift Control, w/4 Speed Trans., First and Second Third and Fourth Reverse		1	1	1	—	—	—	—	—	—	—	—	6024 552
	w/4 Speed Trans., First and Second, R2, W2		1	1	1	—	—	—	—	—	—	—	—	2950 052
	Third and Fourth Reverse		1	1	1	—	—	—	—	—	—	—	—	2950 053
	w/4 Speed Trans., First and Second, R2, W2		1	1	1	—	—	—	—	—	—	—	—	2950 051
	Third and Fourth Reverse		—	—	—	1	1	—	—	—	—	—	—	2461 067
			—	—	—	1	1	—	—	—	—	—	—	2461 066
21-30-426	WASHER, Gearshift Control Rod, w/3 Speed Trans.		4	4	4	4	4	4	4	—	—	—	—	2461 068
	w/4 Speed Trans.	8	—	—	—	4	4	—	—	—	—	—	—	631 217
	Gearshift Control Rod Swivel, w/3 Speed Trans.		4	4	4	4	4	4	4	—	—	—	—	631 217
		8	—	—	—	4	4	4	4	—	—	—	—	631 217
21-30-428	SWIVEL, Gearshift Control Rod, w/3 Speed Trans., First and Reverse		1	1	1	1	1	—	—	—	—	—	—	2404 859
	Second and High		1	1	1	1	1	—	—	—	—	—	—	2781 402
	First and Reverse		—	—	—	—	—	1	1	1	—	—	—	2781 402
	Second and High		—	—	—	—	—	1	1	1	—	—	—	2404 859
	w/4 Speed Trans., R2, W2, D1,	Canada	3	3	3	3	3	—	—	—	—	—	—	2950 050
21-30-433	CLIP, Gearshift Control Rod, w/4 Speed Trans.		AR	AR	AR	AR	AR	—	—	—	—	—	—	2781 402
			AR	AR	AR	AR	AR	—	—	—	—	—	—	1137 669

TYPE LETTERS Indicates

B - Barracuda

V - Valiant
L - Dart

R - Belvedere
W - Coronet

P - Plymouth
D - Dodge

C - Chrysler
Y - Imperial

AR Indicates use as required.

Indicates parts not listed in any previous parts book.

Numerals in parentheses () refer to notes.

★ Indicates change or addition.

Printed in U.S.A.
January 1971

CODE	PART NAME	ENG. TYPE OR CU.IN.	V	B	L	R	W	P	D	C	C	C	Y	PART NUMBER
------	-----------	------------------------------	---	---	---	---	---	---	---	---	---	---	---	----------------

MANUAL TRANSMISSION

21-84-0 TRANSMISSION SPEEDOMETER CABLE

21-84-1	CABLE, w/HOUSING		1	1	1	1	1	1	—	1	—	—	—	2889 783
			—	—	—	—	—	—	1	—	—	—	—	2822 024
	CLIP, Cable Routing		—	—	—	—	—	1	1	1	—	—	—	6028 024
21-84-4	SHAFT or CABLE PACKAGE 80" lgh.		1	1	1	1	1	1	1	1	—	—	—	2448 294
21-84-8	GROMMET, Speedometer Cable Dash		1	1	1	1	1	1	1	1	—	—	—	2216 552

NOTES

TYPE LETTERS Indicates B - Barracuda V - Valiant R - Belvedere P - Plymouth C - Chrysler
 L - Dart W - Coronet D - Dodge Y - Imperial

AR Indicates use as required. Numerals in parentheses () refer to notes. Printed in U.S.A.
 # Indicates parts not listed in any previous parts book. ★ Indicates change or addition. January 1971

MANUAL TRANSMISSION

21-85-0 TRANSMISSION SPEEDOMETER GEAR AND PINION

21-85-5

PINION

Tire Size	2.71 to 1 Ratio Pinion Teeth	2.76 to 1 Ratio Pinion Teeth	2.93 to 1 Ratio Pinion Teeth	2.94 to 1 Ratio Pinion Teeth	3.23 to 1 Ratio Pinion Teeth
6.50 x 13	-----	2538 930 30 Y	2538 932 32 BL	-----	2538 955 35 O
7.00 x 13	-----	2538 929 29 BL	2538 931 31 G	-----	2538 934 34 G
C78 x 14	-----	2538 929 29BL	2538 931 31G	-----	2538 934 34G
6.95 x 14	-----	2538 929 29 BL	2538 931 31 Y	-----	2538 934 34G
7.35 x 14	2538 928 28 B	2538 928 28 B	2538 930 30 Y	2538 930 30 Y	2538 933 33 Y
F78 x 14	2538 927 27W	2538 927 27W	2538 929 29BL	2538 929 29BL	2538 932 32BL
7.75 x 14	2538 927 27 W	2538 927 27 W	2538 929 29 BL	2538 929 29 BL	2538 932 32 BL
8.25 x 14	2538 927 27 W	2538 927 27 W	2538 929 29 BL	2538 929 29 BL	2538 932 32 BL
8.55 x 14	2538 926 26 R	2538 926 26 R	2538 928 28 B	2538 928 28 B	2538 931 31 G
D70 x 14	-----	2538 929 29 BL	2538 931 31 G	-----	2538 934 34 G
E70 x 14	-----	2538 929 29 BL	2538 930 30 Y	-----	2538 933 33 Y
F70 x 14	2538 928 28 B	2538 928 28 B	2538 930 30 Y	2538 930 30 Y	2538 932 32 BL
7.75 x 15	2538 927 27 W	2538 927 27 W	2538 929 29 BL	2538 929 29 BL	2538 932 32 BL
G78 x 15	2538 926 26R	2538 927 27W	2538 928 28B	2538 928 28B	2538 931 31G
8.25 x 15	2538 926 26 R	2538 927 27 W	2538 928 28 B	2538 928 28 B	2538 931 31 G
H78 x 15	2538 926 26R	2538 926 26R	-----	2538 928 28B	2538 931 31 G
8.55 x 15	2538 926 26 R	2538 926 26 R	-----	2538 928 28 B	2538 931 31 G
J78 x 15	-----	2538 926 26R	-----	2538 927 27W	2538 930 30Y
8.85 x 15	-----	2538 926 26 R	-----	2538 927 27 W	2538 930 30 Y
9.15 x 15	-----	2538 926 26 R	-----	2538 927 27 W	2538 930 30 Y
F70 x 15	-----	2538 927 27W	-----	2538 929 29BL	2538 932 32 BL
G70 x 15	2538 927 27 W	2538 927 27 W	-----	2538 929 29 BL	2538 931 31 G

Tire Size	3.31 to 1 Ratio Pinion Teeth	3.54 to 1 Ratio Pinion Teeth	3.55 to 1 Ratio Pinion Teeth	3.91 to Ratio Pinion Teeth	4.10 to 1 Ratio Pinion Teeth
6.50 x 13	-----	-----	2538 939 39 G	2538 943 43 B	-----
7.00 x 13	-----	-----	2539 938 38 B	2538 941 41 R	-----
6.95 x 14	-----	-----	2538 937 37 W	2538 941 41 R	-----
7.35 x 14	-----	-----	2538 936 36 R	2538 940 40 O	-----
7.75 x 14	2538 933 33 Y	-----	2538 935 35 O	2538 939 39 G	-----
8.25 x 14	2538 932 32 BL	-----	2538 935 35 O	2538 938 38 B	-----
8.55 x 14	2538 931 31 G	-----	2538 934 34 G	2538 937 37 W	-----
C78 x 14	-----	-----	2538 937 37W	2538 941 41R	-----
D70 x 14	-----	-----	2538 937 37 W	2538 941 41 R	-----
E70 x 14	-----	-----	2538 937 37 W	2538 940 40 O	-----
F70 x 14	-----	2538 936 36 R	2538 936 36 R	2538 939 39 G	2538 941 41 R
F78 x 14	2538 933 33Y	-----	2538 935 350	2538 939 39G	-----
7.75 x 15	2538 933 33 Y	-----	2538 935 35 O	2538 938 38 B	-----
8.25 x 15	2538 932 32 BL	-----	2538 934 34 G	2538 938 38 B	-----
8.55 x 15	2538 931 31 G	-----	2538 934 34 G	-----	-----
8.85 x 15	2538 931 31 G	-----	2538 933 33 Y	-----	-----
9.15 x 15	2538 931 31 G	-----	2538 933 33 Y	-----	-----
F70 x 15	-----	2538 935 35 O	2538 935 35 O	2538 938 38 B	2538 940 40 O
G70 x 15	2538 932 32 BL	-----	2538 935 35 O	-----	-----
G78 x 15	2538 932 32 BL	-----	2538 934 34G	2538 938 38B	-----
H78 x 15	2538 931 31G	-----	2538 934 34G	-----	-----
J78 x 15	2538 931 31 G	-----	2538 933 33Y	-----	-----

COLOR OF PINION

G-GREEN

R-RED

W-WHITE

B-BLUE

Y-YELLOW

BL-BLACK

O-ORANGE

TYPE LETTERS Indicates

B - Barracuda

V - Valiant
L - DartR - Belvedere
W - CoronetP - Plymouth
D - DodgeC - Chrysler
Y - Imperial

AR Indicates use as required.

Indicates parts not listed in any previous parts book.

Numerals in parentheses () refer to notes.

★ Indicates change or addition.

Printed in U.S.A.
January 1971

MANUAL TRANSMISSION

NOTE: All quantities are one (1) unless otherwise indicated in parenthesis.

CODE	TRANSMISSION	3410 613 3 Speed A745	3410 614 3 Speed A745	3410 615 3 Speed A745	3410 611 3 Speed A903	3410 612 3 Speed A903
21-01-0 TRANSMISSION SETS OR PACKAGES						
21-01-3	SEAL and GASKET PACKAGE	2585 569	2585 570	2585 570	2585 567	2585 567
21-02-0 TRANSMISSION VENT						
21-02-6	VENT	1139 204	1139 204	1139 204	1139 204	1139 204
21-03-0 TRANSMISSION CASE						
21-03-1	CASE	3410 058	3410 058	3410 058	3410 056	3410 056
21-04-0 TRANSMISSION CASE EXTENSION						
21-04-1	EXTENSION	2466 987	2466 991	2466 991	2466 995	2466 995
21-04-2	GASKET	2124 519	2124 519	2124 519	1949 361	1949 361
21-04-11	BUSHING	2801 726	2801 724	2801 724	2801 726	2801 726
21-09-0 TRANSMISSION MAIN DRIVE PINION						
21-09-2	PINION, 23T., 18T., 24 Splines, 10 1/2" lgh	2408 147	2408 147	—	—	—
	23 T., 20T., 24 Splines, 10 1/2" lgh.	—	—	2124 937	—	—
	24T., 17T., 23 Splines, 10 1/2" lgh	—	—	—	2204 554	—
	21T., 18T., 23 Splines, 10 17/32" lgh	—	—	—	—	2204 944
21-09-5	BEARING, w/SNAP RING	2124 516	2124 516	2124 516	1633 718	1633 718
21-09-19	SLINGER, Brg. Oil	1633 669	1633 669	1633 669	1633 669	1633 669
21-09-23	SNAP RING, Brg., .088" thk. (AR)	6025 754	6025 754	6025 754	6025 754	6025 754
	.091" thk. (AR)	6025 755	6025 755	6025 755	6025 755	6025 755
	.094" thk. (AR)	6025 756	6025 756	6025 756	6025 756	6025 756
	.097" thk. (AR)	6025 757	6025 757	6025 757	6025 757	6025 757
	Outer	2124 518	2124 518	2124 518	—	—
21-09-25	WASHER, Brg.	—	—	—	631 877	631 877
21-09-29	RETAINER, Brg.	2124 945	2124 945	2892 256	2204 491	2204 491
21-09-30	SEAL, Brg.	2801 692	2801 692	2801 692	2801 692	2801 692
21-09-31	SCREW, Brg. Retainer (4)	1920 101	1920 101	1920 101	—	—
	(3)	—	—	—	1920 101	1920 101
21-09-33	GASKET, Brg. Retainer	2124 499	2124 499	2124 499	672 709	672 709
21-10-0 TRANSMISSION MAIN DRIVE GEARS						
21-10-4	GEAR, Sliding, First and Reverse, 28T., 34 Splines	2124 561	2124 561	2124 561	—	—
	29T., 32 Splines	—	—	—	2464 578	2464 578
21-10-16	GEAR, Second Speed, 24T., 24T 23T., 24T	2124 560	2124 560	2124 560	—	2538 066
		—	—	—	2538 067	—
21-11-0 TRANSMISSION REVERSE IDLER GEAR						
21-11-1	GEAR, 14T 15T	2124 562	2124 562	2124 562	—	—
21-11-2	ROLLER, Brg. (22)	666 927	666 927	666 927	1853 695	1853 695
21-11-9	WASHER (2)	2204 978	2204 978	2204 978	666 927	666 927
		—	—	—	666 924	666 924
21-12-0 TRANSMISSION REVERSE IDLER GEAR SHAFT						
21-12-1	SHAFT	1635 290	1635 290	1635 290	1635 290	1635 290
21-12-2	KEY	1635 293	1635 293	1635 293	1635 293	1635 293
21-14-0 TRANSMISSION CLUTCH GEAR						
21-14-5	GEAR, Synchronizer, 24T., 32T	2204 666	2204 666	2204 666	2204 619	2204 619

TYPE LETTERS Indicates

B - Barracuda

V - Valiant
L - DartR - Belvedere
W - CoronetP - Plymouth
D - DodgeC - Chrysler
Y - Imperial

AR Indicates use as required.

Indicates parts not listed in any previous parts book.

Numerals in parentheses () refer to notes.

★ Indicates change or addition.

Printed in U.S.A.
January 1971

MANUAL TRANSMISSION

NOTE: All quantities are one (1) unless otherwise indicated in parenthesis.

CODE	TRANSMISSION	3410 613 3 Speed A745	3410 614 3 Speed A745	3410 615 3 Speed A745	3410 611 3 Speed A903	3410 612 3 Speed A903
21-14-0 TRANSMISSION CLUTCH GEAR Cont'd.						
21-14-6	SLEEVE, Synchronizer Clutch	2124 387	2124 387	2124 387	1676 197	1676 197
21-14-15	SPRING, Synchronizer Stop Ring	2408 164	2408 164	2408 164	2538 783	2538 783
21-14-19	RING, Synchronizer Stop, Outer (2)	2464 836	2464 836	2464 836	---	---
	Inner (2)	2124 472	2124 472	2124 472	---	---
	Outer	---	---	---	2464 839	2464 839
	Second Speed, Inner	---	---	---	2400 533	2400 533
21-14-20	SNAP RING, Synchronizer	6027 246	6027 246	6027 246	---	---
	1 23/64" I.D.	---	---	---	6027 246	6027 246
21-14-21	SHIM, Synchronizer (AR)	2464 724	2464 724	2464 724	2464 724	2464 724
21-15-0 TRANSMISSION COUNTERSHAFT GEAR						
21-15-2	GEAR, 33T., 25T., 17T., 13T	2124 386	2124 386	---	---	---
	31T., 25T., 17T., 13T	---	---	2124 384	---	---
	34T., 25T., 18T., 14T	---	---	---	2538 069	---
	33T., 24T., 18T., 14T.	---	---	---	---	2538 068
21-15-33	WASHER, Thrust (1)	2124 505	2124 505	2124 505	---	---
	(2)	---	---	---	1633 763	1633 763
21-16-0 TRANSMISSION MAIN OR OUTPUT SHAFT						
21-16-3	SHAFT, 32T., 34T., 13T., 26T.,	2466 989	---	---	---	---
	23 1/4" lgh	---	2892 910	2892 910	---	---
	32T., 34T., 13T., 30T., 27 23/64" lgh	---	---	---	---	---
	32T., 32T., 13T.,	---	---	---	2892 940	2892 940
	26T., 23 7/16" lgh.	---	---	---	---	---
21-17-0 TRANSMISSION MAIN OR OUTPUT SHAFT PILOT BEARING						
21-17-2	ROLLER (15)	1949 834	1949 834	1949 834	---	---
	(14)	---	---	---	1949 834	1949 834
21-17-7	SNAP RING, Roller	862 173	862 173	862 173	601 108	601 108
21-19-0 TRANSMISSION MAIN OR OUTPUT SHAFT BEARING						
21-19-2	BEARING	620 521	620 521	620 521	1633 718	1633 718
21-19-15	SNAP RING, Inner, .086" thk. (AR)	6025 754	6025 754	6025 754	6025 754	6025 754
	.091" thk. (AR)	6025 755	6025 755	6025 755	6025 755	6025 755
	.094" thk. (AR)	6025 756	6025 756	6025 756	6025 756	6025 756
	.097" thk. (AR)	6025 757	6025 757	6025 757	6025 757	6025 757
	Outer, .086" thk. (AR)	---	---	---	640 280	640 280
	.087" thk. (AR)	2124 508	2124 508	2124 508	---	---
	.089" thk. (AR)	---	---	---	631 809	631 809
	.090" thk. (AR)	2124 509	2124 509	2124 509	---	---
	.092" thk. (AR)	---	---	---	631 810	631 810
	.093" thk. (AR)	2124 510	2124 510	2124 510	---	---
	.095" thk. (AR)	---	---	---	640 331	640 331
	.096" thk. (AR)	2124 511	2124 511	2124 511	---	---
21-22-0 TRANSMISSION MAIN OR OUTPUT SHAFT BEARING OIL SEAL						
21-22-2	SEAL, Yoke, 2 1/2" O.D., Rubber,	2400 163	---	---	2400 163	2400 163
	w/One Sealing Lip	---	2400 300	2400 300	---	---
	2 3/4" O.D.	---	---	---	---	---

TYPE LETTERS Indicates

B - Barracuda

V - Valiant
L - DartR - Belvedere
W - CoronetP - Plymouth
D - DodgeC - Chrysler
Y - Imperial

AR Indicates use as required.

Indicates parts not listed in any previous parts book.

Numerals in parentheses () refer to notes.

★ Indicates change or addition.

Printed in U.S.A.

January 1971

MANUAL TRANSMISSION

NOTE: All quantities are one (1) unless otherwise indicated in parenthesis.

CODE	TRANSMISSION	3410 613 3 Speed A745	3410 614 3 Speed A745	3410 615 3 Speed A745	3410 611 3 Speed A903	3410 612 3 Speed A903
21-24-0 TRANSMISSION COUNTERSHAFT						
21-24-2	COUNTERSHAFT	2124 393	2124 393	2124 393	1635 282	1635 282
21-24-19	PLATE, Brg. Thrust	2124 474	2124 474	2124 474	—	—
21-24-22	KEY	1635 293	1635 293	1635 293	1635 293	1635 293
21-25-0 TRANSMISSION COUNTERSHAFT BEARING						
21-25-2	ROLLER (88) (44)	2124 502	2124 502	2124 502	—	—
21-25-4	SPACER	2124 473	2124 473	2124 473	666 927	666 927
21-25-6	WASHER, Thrust (4) (2)	2124 506	2124 506	2124 506	697 812	697 812
		—	—	—	1630 878	1630 878
21-29-0 TRANSMISSION CASE COVER OR HOUSING						
21-29-3	COVER	2124 465	2124 465	2124 465	1949 345	1949 345
21-29-25	GASKET, Cover	2124 466	2124466	212466	1949 346	1949 346
21-34-0 TRANSMISSION GEARSHIFT RAIL						
21-34-42	PIN, Interlock	1949 356	1949 356	1949 356	1949 356	1949 356
21-34-45	SLEEVE, Interlock	1949 355	1949 355	1949 355	1949 355	1949 355
21-34-47	SPRING, Interlock	2205 131	2205 131	2205 131	2205 131	2205 131
	BALL, Interlock, 5/16" (2)	104 919	104 919	104 919	104 919	104 919
	WASHER, Interlock	—	—	—	—	—
	Lever Spring	6026 239	6026 239	6026 239	6026 239	6026 239
21-39-0 TRANSMISSION GEARSHIFT FORK						
21-39-3	FORK, Low and Reverse	2124 463	2124-463	2124 463	1949 351	1949 351
	Second and Direct	2124 462	2124 462	2124 462	2125 059	2125 059
21-42-0 TRANSMISSION REMOTE CONTROL GEARSHIFT						
21-42-11	LEVER, Gearshift, Low and Reverse	2124 523	2124 523	2124 523	2801 938	2801 938
	Second and Direct	2124 494	2124 494	2124 494	1949 352	1949 352
21-42-16	PIN, Lever Shaft(2)	6022 161	6022 161	6022 161	6022 161	6022 161
21-42-23	LEVER, Operating, Low and Reverse, w/Column Shift	2538 917	—	—	—	—
	w/Column Shift	—	2801 143	2801 143	—	—
	V, B, L, w/170 and 225 Eng.	—	—	—	2801 813	2801 813
	R, W, P, w/225 Eng.	—	—	—	—	2801 814
	Second and Direct	2538 918	—	—	—	—
	R, W, w/225 and 318 Eng.	—	2801 144	—	—	—
	P, w/225 and 318 Eng., P, D, C, w/383 Eng.	—	—	—	—	—
	P, w/225 Eng.	—	2801 196	2801 196	—	—
	V, B, L, w/170 and 225 Eng.	—	—	—	—	2801 196
	R, W, w/225 Eng.	—	—	—	2538 920	2538 920
	CLIP, Interlock Lever	6025 071	6025 071	6025 071	6025 071	2801 145
21-42-25	WASHER Interlock Lever Spring	—	—	—	—	—
	Low and Reverse	6025 239	6026 239	6026 239	6026 239	6026 239
	Interlock Lever	274 517	274 517	274 517	274 517	274 517
21-42-28	PIN, Interlock, Low and Reverse	2538 013	2538 013	2538 013	2538 013	2538 013
21-42-29	PAWL, Interlock Lever, Low and Reverse	2538 014	2538 014	2538 014	2538 014	2538 014
21-42-31	SEAL, Gearshift Lever Shaft Oil (2)	1949 350	1949 350	1949 350	1949 350	1949 350
21-42-42	BUSHING, Control Rod Strg. Column	—	—	—	—	—
	Lever Grommet (2)	2781 445	2781 445	2781 445	2781 445	2781 445
21-42-43	GROMMET, Control Rod Strg. Col. Lev. (2)	2781 444	2781 444	2781 444	2781 444	2781 444

TYPE LETTERS Indicates

B - Barracuda

V - Valiant
L - DartR - Belvedere
W - CoronetP - Plymouth
D - DodgeC - Chrysler
Y - Imperial

AR Indicates use as required.

Indicates parts not listed in any previous parts book.

Numerals in parentheses () refer to notes.

★ Indicates change or addition.

Printed in U.S.A.

January 1971

MANUAL TRANSMISSION

NOTE: All quantities are one (1) unless otherwise indicated in parenthesis.

CODE	TRANSMISSION	3410 607 4 Speed A833	3410 608 4 Speed A833	3410 609 4 Speed A833	3410 610 ⁻² 4 Speed A833
21-01-0 TRANSMISSION SETS OR PACKAGES					
21-01-3	SEAL and GASKET PACKAGE	2585 571	2585 571	2585 571	3004 614
21-02-0 TRANSMISSION VENT					
21-02-6	VENT	1139 204	1139 204	1139 204	1139 204
21-03-0 TRANSMISSION CASE					
21-03-1	CASE	3410 193	3410 193	3410 193	3410 194
21-04-0 TRANSMISSION CASE EXTENSION					
21-04-1	EXTENSION	2892 961	2892 961	2892 960	2892 962
21-04-2	GASKET	2464 059	2464 059	2464 059	2464 059
21-04-11	BUSHING	2801 724	2801 724	2801 724	2801 724
21-04-17	BAFFLE, Vent	2538 785	2538 785	2538 785	2538 785
21-09-0 TRANSMISSION MAIN DRIVE PINION					
21-09-2	PINION, 23T., 22T., 36 Splines, 11 1/4" lgh.	2466 427	-----	-----	-----
	23T., 24T., 36 Splines, 11 15/64" lgh	-----	2466 406	2466 406	-----
	18T., 21T., 36 Splines	-----	-----	-----	2538 196
21-09-5	BEARING, w/SNAP RING	2124 516	2124 516	2124 516	-----
	w/o Snap Ring	-----	-----	-----	2801 890
21-09-23	SNAP RING, Brg., .088" thk. (AR)	6025 754	6025 754	6025 754	6025 754
	.091" thk (AR)	6025 755	6025 755	6025 755	6026 755
	.094" thk (AR)	6025 756	6025 756	6025 756	6025 756
	.097" thk (AR)	6025 757	6025 757	6025 757	6026 757
	Outer	2124 518	2124 518	2124 518	6027 225
21-09-29	RETAINER, Brg.	2124 945	2124 945	2892 256	2801 892
21-09-30	SEAL, Brg.	2801 692	2801 692	2801 692	2801 733
21-09-31	SCREW, Brg. Retainer (4)	1920 101	1920 101	1920 101	1920 101
21-09-33	GASKET, Brg. Retainer	2124 499	2124 499	2124 499	2801 893
21-10-0 TRANSMISSION MAIN DRIVE GEARS					
21-10-3	GEAR, First Speed	2464 018	2464 018	2464 018	2801 107
21-10-16	GEAR, Second Speed, 36T., 32T	2464 069	-----	-----	-----
	36T., 34T	-----	2464 017	2464 017	-----
	36T., 30T	-----	-----	-----	2801 105
21-10-31	GEAR, Third Speed	2464 659	2464 016	2464 016	2538 202
21-11-0 TRANSMISSION REVERSE IDLER GEAR					
21-11-1	GEAR, 22T	2464 073	2464 073	2464 073	2464 073
21-12-0 TRANSMISSION REVERSE IDLER GEAR SHAFT					
21-12-1	SHAFT	2464 023	2464 023	2464 023	2464 023
21-12-2	KEY	1635 293	1635 293	1635 293	1635 293

TYPE LETTERS Indicates

B - Barracuda

V - Valiant
L - DartR - Belvedere
W - CoronetP - Plymouth
D - DodgeC - Chrysler
Y - Imperial

AR Indicates use as required.

Indicates parts not listed in any previous parts book.

Numerals in parentheses () refer to notes.

★ Indicates change or addition.

Printed in U.S.A.

January 1971

MANUAL TRANSMISSION

NOTE: All quantities are one (1) unless otherwise indicated in parenthesis.

CODE	TRANSMISSION	3410 607 4 Speed A833	3410 608 4 Speed A833	3410 609 4 Speed A833	3410 610 4 Speed A833
21-14-0 TRANSMISSION CLUTCH GEAR					
21-14-1	SYNCHRONIZER UNIT, First, Second and Reverse (Also Specify 1-3420079 Ring. Pkg.)	3410 305	3410 305	3410 305	3410 305
	Third and Direct (Also Specify 1-3420079 Ring Pkg.)	3410 300	3410 300	3410 300	3410 300
	SNAP RING (AR)	6024 131	6024 131	6024 131	6024 131
21-14-15	SPRING, Synchronizer First and Second (2) Third and Direct (2)	2892 575	2892 575	2892 575	2892 575
21-14-19	RING, Synchronizer Stop, Third and Direct (2) Synchronizer Stop (2) Ring Package, Synchronizer Stop, Canada -	2801 381	2801 381	2801 381	2801 381
21-14-20	SNAP RING, Synchronizer, Low and Second Third and Direct	3420 079 6024 131 6024 131	3420 079 6024 131 6024 131	3420 079 6024 131 6024 131	3420 079 6024 131 6024 131
21-15-0 TRANSMISSION COUNTERSHAFT GEAR					
21-15-2	GEAR, 33T., 29T., 25T., 17T., 17T. 31T., 27T., 23T., 17T., 17T. 27T., 24T., 20T., 17T., 16T	2464 658	----- 2464 011	----- 2464 011	----- 2801 109
21-15-33	WASHER, Thrust (2)	2538 207	2538 207	2538 207	2538 207
21-16-0 TRANSMISSION MAIN OR OUTPUT SHAFT					
21-16-3	SHAFT, 40T., 40T., 13T., 23 1/4" lgh 40T., 13T., 30T., 27 3/8" lgh	2892 909	2892 909	----- 2466 910	----- 2466 910
21-17-0 TRANSMISSION MAIN OR OUTPUT SHAFT PILOT BEARING					
21-17-2	ROLLER (16)	1949 834	1949 834	1949 834	1949 834
21-17-7	SNAP RING, Roller	6024 130	6024 130	6024 130	6024 130
21-19-0 TRANSMISSION MAIN OR OUTPUT SHAFT BEARING					
21-19-2	BEARING	620 521	620 521	620 521	2801 890
21-19-15	SNAP RING, Inner, .086" thk (AR) .091" thk. (AR) .094" thk. (AR) .097" thk. (AR) Outer, .087" thk. (AR) .093" thk. Frt	6025 754 6025 755 6025 756 6025 757 6024 125	6025 754 6025 755 6025 756 6025 757 6024 125	6025 754 6025 755 6025 756 6025 757 6024 125	6025 754 6025 755 6025 756 6025 757 ----- 6027 229
21-22-0 TRANSMISSION MAIN OR OUTPUT SHAFT BEARING OIL SEAL					
21-22-2	SEAL, Yoke, 2 3/4" O.D.	2400 300	2400 300	2400 300	2400 300
21-24-0 TRANSMISSION COUNTERSHAFT					
21-24-2	COUNTERSHAFT	2464 012	2464 012	2464 012	2464 012
21-24-22	KEY	1635 293	1635 293	1635 293	1635 293
21-25-0 TRANSMISSION COUNTERSHAFT BEARING					
21-25-2	ROLLER (76)	2464 744	2464 744	2464 744	2464 744
21-25-4	SPACER	2464 013	2464 013	2464 013	2464 013
21-25-6	WASHER, Thrust (4)	2464 743	2464 743	2464 743	2464 743

TYPE LETTERS Indicates

B - Barracuda

V - Valiant
L - DartR - Belvedere
W - CoronetP - Plymouth
D - DodgeC - Chrysler
Y - Imperial

AR Indicates use as required.

Indicates parts not listed in any previous parts book.

Numerals in parentheses () refer to notes.

★ Indicates change or addition.

Printed in U.S.A.
January 1971

MANUAL TRANSMISSION

NOTE: All quantities are one (1) unless otherwise indicated in parenthesis.

CODE	TRANSMISSION	3410 607 4 Speed A833	3410 608 4 Speed A833	3410 609 4 Speed A833	3410 610 4 Speed A833
21-29-0 TRANSMISSION CASE COVER OR HOUSING					
21-29-3	COVER	2464 001	2464 001	2464 001	2464 001
	BOLT, Gearshift Hsg. (7)	6024 457	6024 457	6024 457	6024 457
		6026 874	6026 874	6026 874	6026 874
21-29-25	GASKET, Cover	2464 037	2464 037	2464 037	2464 037
21-34-0 TRANSMISSION GEARSHIFT RAIL					
21-34-42	PIN, Interlock	2464 046	2464 046	2464 046	2464 046
21-34-44	PLUG, Reverse Lever Detent	1139 153	1139 153	1139 153	1139 153
21-34-45	SLEEVE, Interlock	2464 045	2464 045	2464 045	2464 045
21-34-46	GASKET, Reverse Lever Detent Plug	1302 807	1302 807	1302 807	1302 807
21-34-47	SPRING, Reverse Lever Detent Ball	2466 457	2466 457	2466 457	2466 457
	Gearshift Interlock Ball	2464 047	2464 047	2464 047	2464 047
	BALL, Interlock 3/8"	104 920	104 920	104 920	104 920
	Detent Reverse Lever	104 920	104 920	104 920	104 920
21-34-51	RETAINER, Lever Detent Spring	2464 052	2464 052	2464 052	2464 052
21-34-53	GASKET, Lever Detent Spring Retainer	2464 053	2464 053	2464 053	2464 053
21-39-0 TRANSMISSION GEARSHIFT FORK					
21-39-3	FORK, Low and Second	2538 421	2538 421	2538 421	2538 421
	Third and Direct	2466 961	2466 961	2466 961	2466 961
	Reverse	2464 051	2464 051	2464 051	2464 051
21-42-0 TRANSMISSION REMOTE CONTROL GEARSHIFT					
21-42-11	LEVER, Gearshift, Low and Second, Type "A"	2466 221	2466 221	2466 221	2466 221
	Low and Second, Type "B"	2466 222	2466 222	2466 222	2466 222
	Third and Direct	2464 038	2464 038	2464 038	2464 038
	Reverse	2466 295	2466 295	2466 295	2466 295
21-42-23	LEVER, Operating, Low and Second	2538 575	2538 575	-----	-----
	R,W	-----	-----	2892 891	2892 891
	Third and Direct, V,B,L	2538 576	2538 576	-----	-----
	R,W	-----	-----	2892 890	2892 890
	Reverse, V,B,L	2538 577	2538 577	-----	-----
	R, W,	-----	-----	2464 057	2464 057
	NUT	6028 034	6028 034	6028 034	6028 034
21-42-31	SEAL, Gearshift Shaft Oil (3)	1536 267	1536 267	1536 267	1536 267

NOTES

TYPE LETTERS Indicates

B - Barracuda

V - Valiant
L - DartR - Belvedere
W - CoronetP - Plymouth
D - DodgeC - Chrysler
Y - Imperial

AR Indicates use as required.

Indicates parts not listed in any previous parts book.

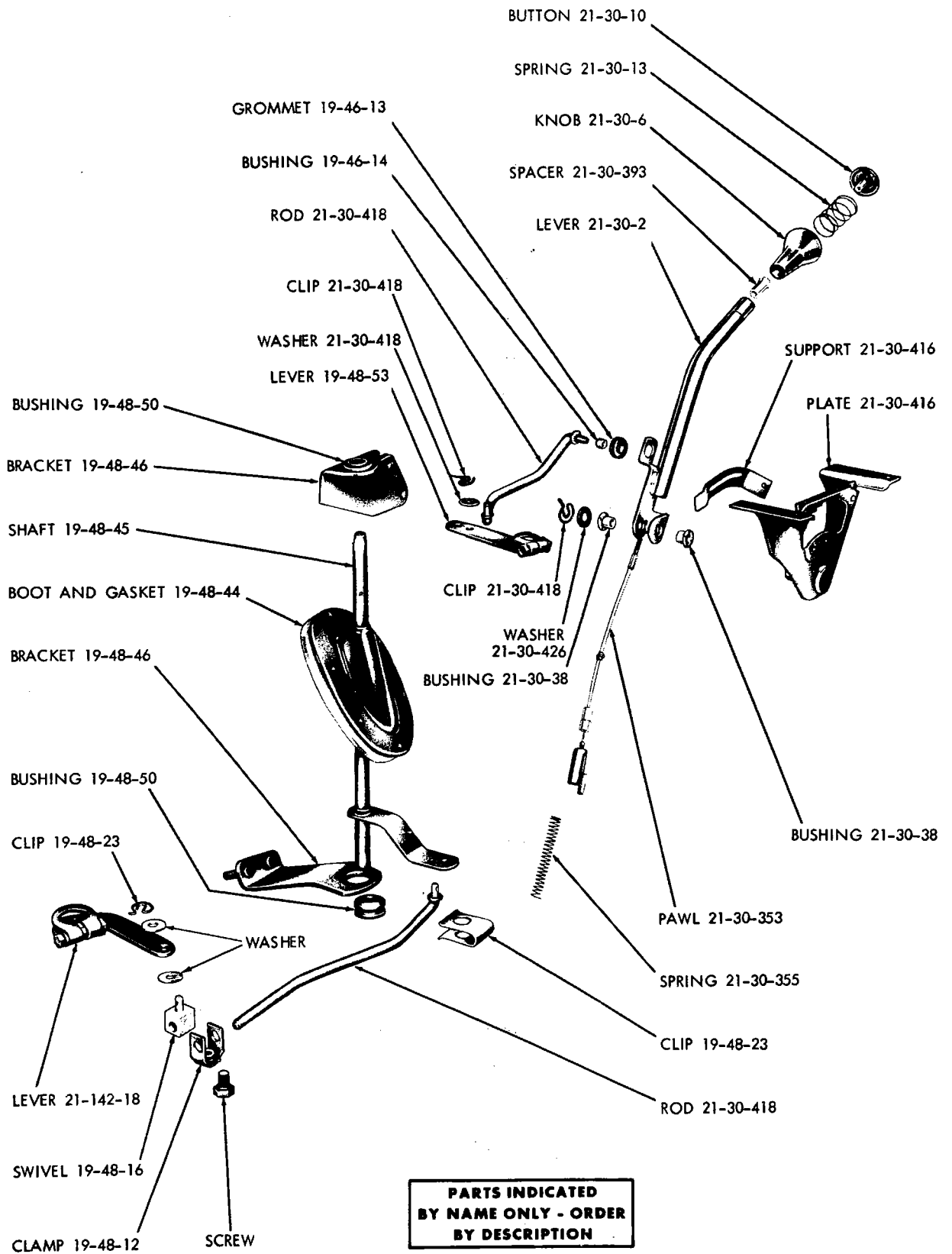
Numerals in parentheses () refer to notes.

★ Indicates change or addition.

Printed in U.S.A.

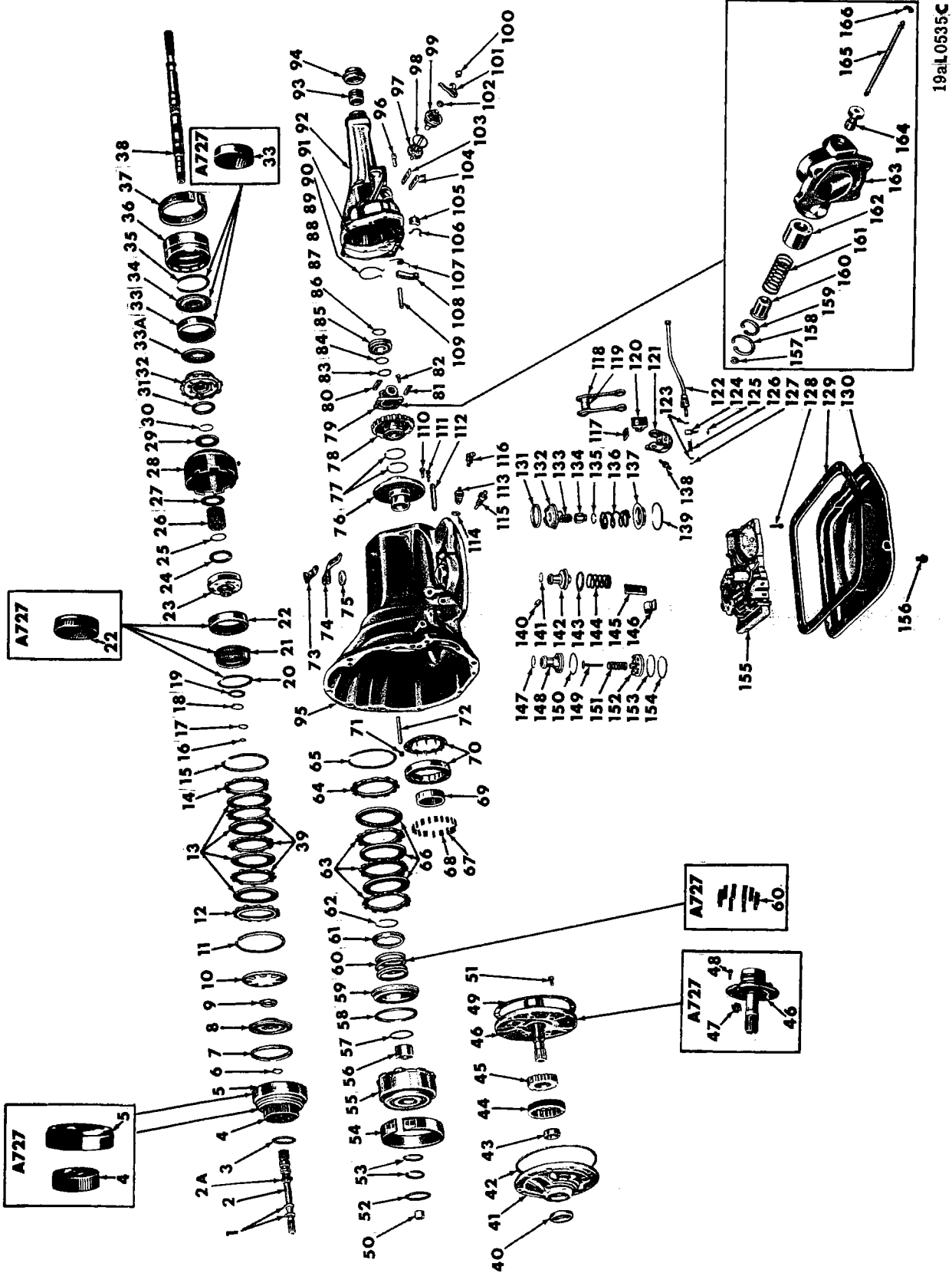
January 1971

GROUP 21 - TRANSMISSION



19a0594 D

AUTOMATIC TRANSMISSION CONTROLS - WITH CONSOLE



A904 AND A727 AUTOMATIC TRANSMISSION

A904 AND A727 AUTOMATIC TRANSMISSION

Ref. No.	Name	Part Type Code	Ref. No.	Name	Part Type Code
1	Ring	21-129-7	51	Screw	
2	Shaft, Input	21-129-5	52	Washer	21-133-65
2A	Snap Ring	21-133-25	53	Ring	21-129-13
3	Washer	21-133-65	54	Band, Kickdown	21-136-5
4	Retainer, Rear Clutch Piston	21-133-7	55	Retainer, Front Clutch	21-133-7
5	Retainer, Rear Clutch	21-133-7	56	Bushing	21-133-10
6	Snap Ring	21-129-7	57	Seal	21-133-17
7	Seal	21-133-17	58	Seal	21-133-17
8	Piston	21-133-15	59	Piston	21-133-15
9	Seal	21-133-17	60	Spring	21-133-20
10	Spring	21-133-20	61	Retainer	21-133-22
11	Snap Ring	21-133-31	62	Snap Ring	21-133-43
12	Plate	21-133-39	63	Plate	21-133-38
13	Disc	21-133-36	64	Plate	21-133-39
14	Plate	21-133-39	65	Snap Ring	21-133-43
15	Snap Ring	21-133-43	66	Disc	21-133-36
16	Washer	21-05-35	67	Roller	21-136-235
17	Snap Ring	21-05-19	68	Spring	21-136-236
18	Snap Ring	21-134-40	69	Race	21-136-232
19	Washer	21-134-45	70	Retainer and Cam	21-136-228
20	Snap Ring	21-134-40	71	Plug (A727) 1/4"-18	
21	Support	21-134-36	72	Shaft	21-136-23
22	Gear	21-134-38	73	Lever	21-142-12
23	Carrier, Front	21-134-5	74	Lever	21-142-18
24	Washer	21-133-48	75	Seal	21-139-16
25	Snap Ring	21-05-19	76	Support	21-05-25
26	Gear, Sun	21-133-40	77	Ring	21-138-38
27	Plate	21-133-47	78	Support	21-138-10
28	Shell	21-133-42	79	Housing (Serviced in 21-138-2)	
29	Plate	21-133-47	80	Lock	21-138-21
30	Ring	21-133-46	81	Lock	21-138-21
31	Washer	21-133-48	82	Screw	
32	Carrier, Rear	21-134-5	83	Snap Ring	21-138-7
33	Gear	21-134-38	84	Snap Ring	21-05-8
33A	Plate (A727)	21-134-45	85	Bearing	21-05-2
34	Support	21-134-36	86	Snap Ring	21-05-19
35	Snap Ring	21-134-40	87	
36	Drum, Reverse	21-136-65	88	
37	Band, Reverse	21-136-30	89	
38	Shaft, Output	21-05-1	90	Snap Ring	21-05-8
39	Plate	21-133-39	91	Gasket	21-04-2
40	Oil Seal	9-46-130	92	Extension	21-04-1
41	Housing, Front	21-118-40	93	Bushing	21-04-11
42	Oil Seal	21-118-45	94	Seal	21-05-12
43	Bushing	21-118-47	95	Case	21-03-1
44	Rotor, Outer (Serviced in 21-118-6)		96	Screw	21-04-1
45	Rotor, Inner (Serviced in 21-118-6)		97	Pinion	21-85-5
46	Shaft, Reaction, w/Support	21-129-10	98	"O" Ring	21-85-9
47	Baffle	21-129-11	99	Adapter	21-85-9
48	Bolt		100	Bolt	21-85-61
49	Gasket (A904)	21-129-24	101	Clamp	21-85-61
	Gasket (A727)	21-118-54	102	Seal	21-85-22
50	Bushing	21-129-23	103	Gasket	21-04-2

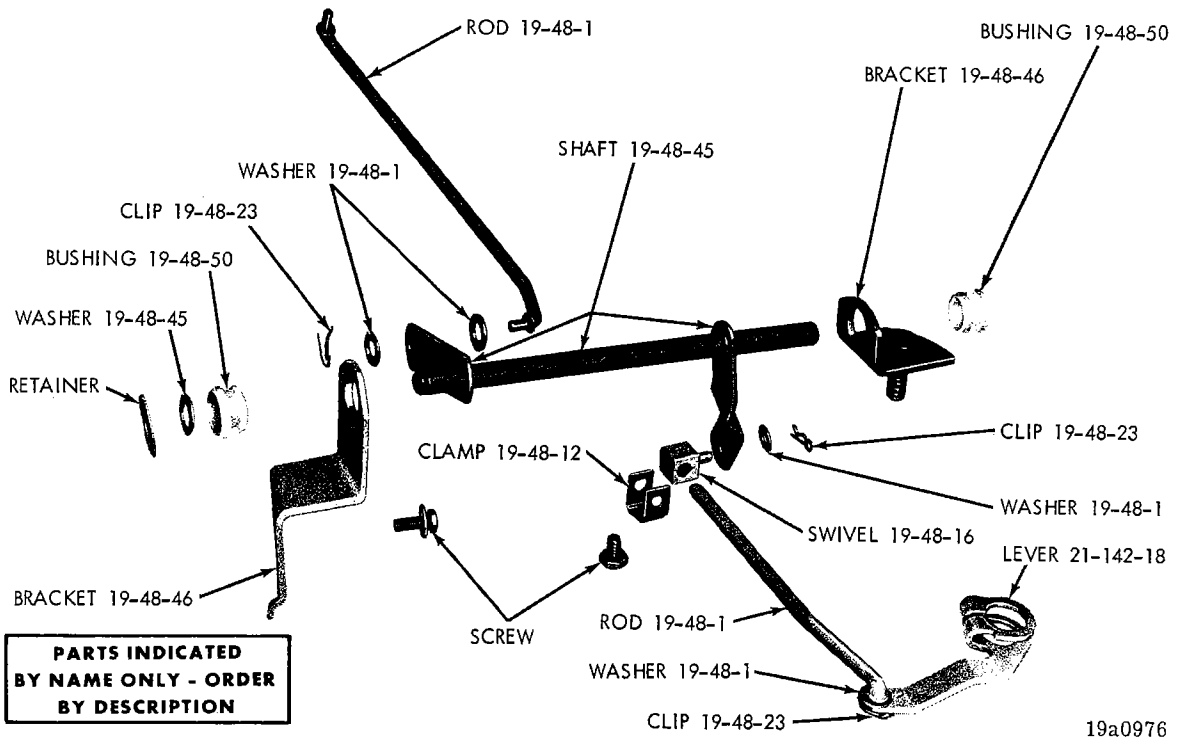
CONTINUED ON NEXT PAGE

PARTS INDICATED BY NAME ONLY - ORDER BY DESCRIPTION

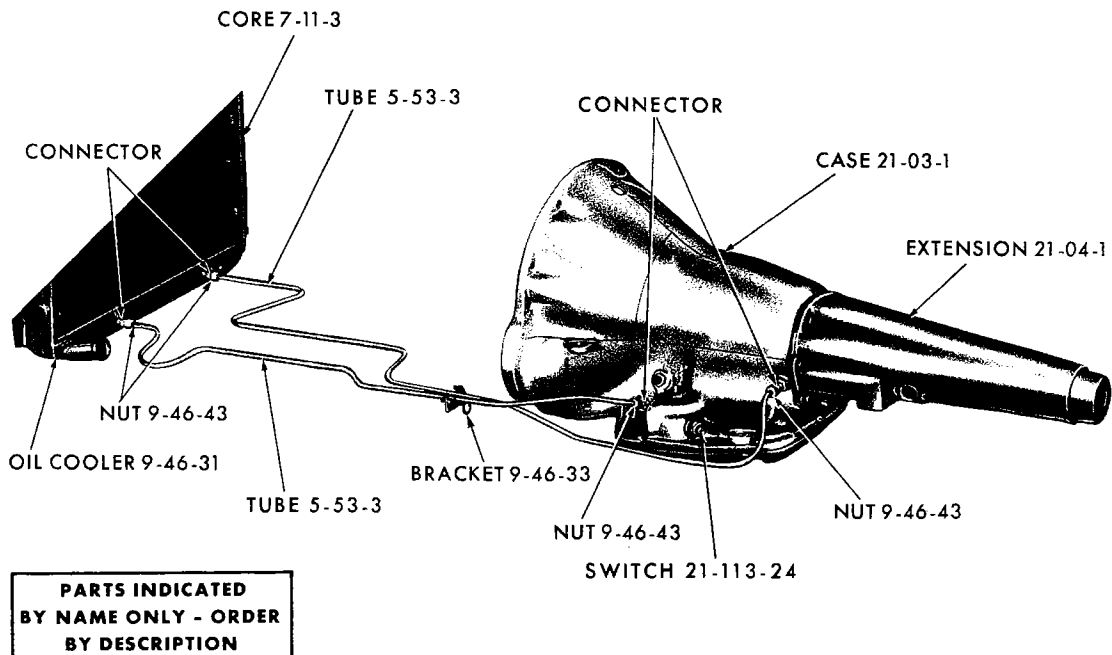
A904 AND A727 AUTOMATIC TRANSMISSION - Continued

Ref. No.	Name	Part Type Code	Ref. No.	Name	Part Type Code
104	Cover	21-04-8	136	Spring	21-137-53
105	Plug	4-10-32	137	Retainer	21-137-56
106	Snap Ring	4-10-33	138	Screw	21-136-52
107	Spring	4-10-11	139	Snap Ring	21-137-59
108	Sprag	4-10-10	140	Connector, Oil Cooler	
109	Shaft	4-10-8	141	Ring	21-137-202
110	Screw		142	Piston, Accumulator	21-137-200
111	Screw		143	Ring	21-137-202
112	Shaft	21-136-49	144	Spring	21-137-205
113	Switch	21-113-24	145	Strut	21-136-15
114	Washer	21-113-29	146	Lever	21-136-20
115	Screw	21-136-17	147	Ring	21-137-8
116	Connector, Oil Cooler		148	Piston, Kickdown	21-137-5
117	Strut	21-136-41	149	Rod, Piston	21-137-11
118	Link	21-136-44	150	Ring	21-137-202
119	Anchor (Serviced in 21-136-44)		151	Spring	21-137-22
120	Lever	21-136-47	152	Guide	21-137-13
121	Lever	21-136-47	153	Ring	21-137-8
122	Rod	4-10-35	154	Snap Ring	21-137-19
123	Washer		155	Body, w/Transfer Plate	21-139-4
124	Swivel (Serviced in 4-10-35)		156	Screw	21-119-3
125	E-Ring	4-10-40	157	Snap Ring	21-138-29
126	Spring (Serviced in 4-10-35)		158	Snap Ring	21-138-19
127	Washer (Serviced in 4-10-35)		159	Snap Ring	21-138-19
128	Bolt		160	Weight	21-138-13
129	Gasket	21-119-5	161	Spring	21-138-15
130	Pan	21-119-3	162	Weight	21-138-13
131	Seal	21-137-50	163	Body (Serviced in 21-138-2)	
132	Piston, Reverse	21-137-35	164	Valve	21-138-23
133	Spring	21-137-41	165	Shaft	21-138-26
134	Plug	21-137-47	166	Snap Ring	21-138-29
135	Snap Ring	21-137-47			

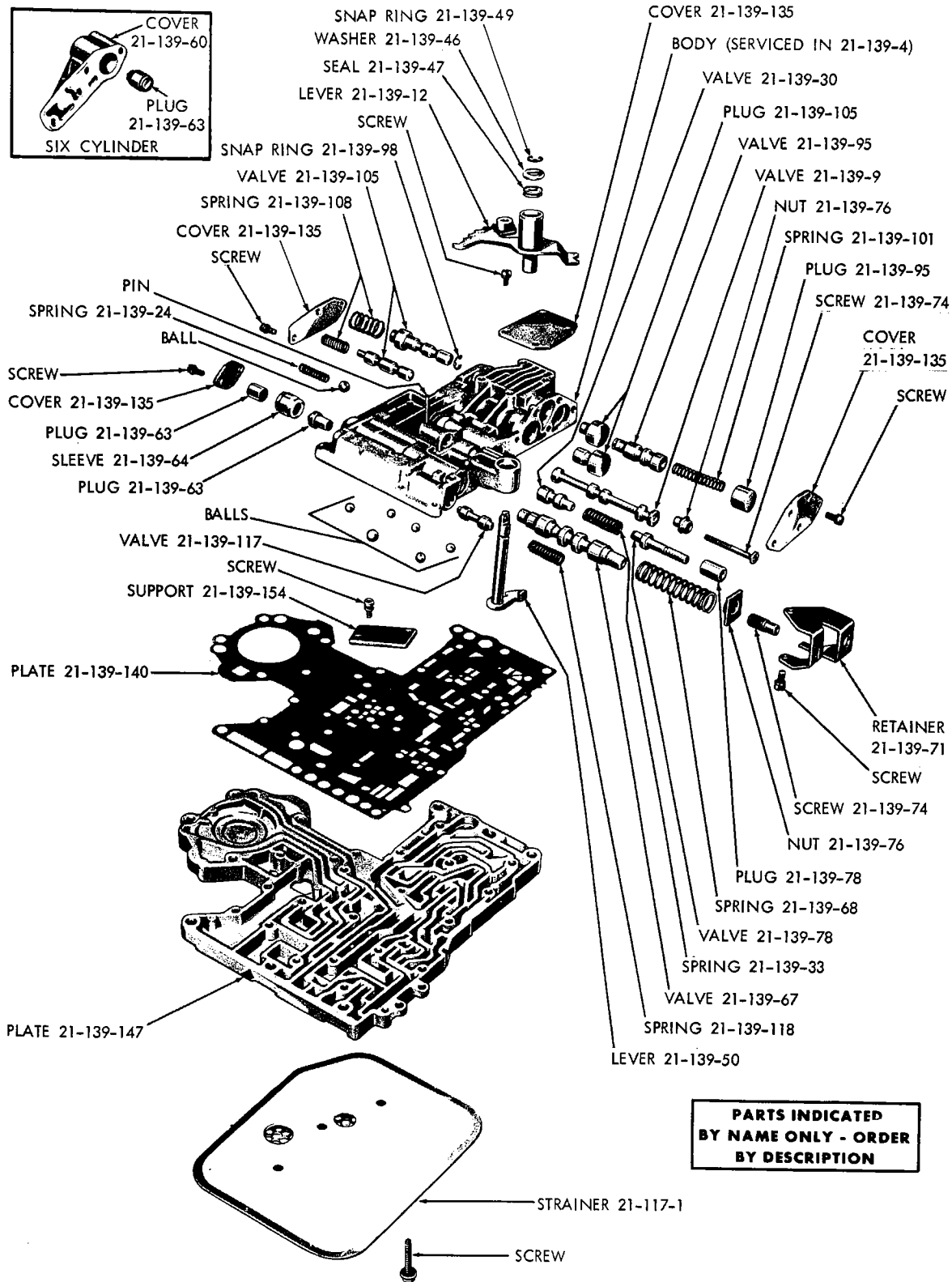
PARTS INDICATED BY NAME ONLY - ORDER BY DESCRIPTION



STEERING COLUMN GEARSHIFT CONTROLS - AUTOMATIC TRANSMISSION



AUTOMATIC TRANSMISSION OIL COOLER SYSTEM



19a0499B

TRANSMISSION VALVE BODY AND VALVES

CODE	PART NAME	ENG. TYPE OR CU.IN.	V	B	L	R	W	P	D	C	C	C	Y	PART NUMBER
			1-2	1-2	1-2	1-2	1-2	1-2	1-2	1	2	3	1	

AUTOMATIC TRANSMISSION

NOTE: Transmission Number and Serial Number can be found on the Transmission Oil Pan Rail.
 NOTE: Transmission component parts for the transmission assemblies shown in code 21-02-1 below are catalogued in charted style after code 21-142-18. The respective service transmission part number and complete type code is designated at the top of each column, and must be verified before specifying components.

21-02-0 TRANSMISSION

21-02-1	TRANSMISSION, w/170 eng., A904	6	1	—	1	—	—	—	—	—	—	—	—	2892 076
	w/273 eng., A904	8	1	—	1	—	—	—	—	—	—	—	—	2892 079
	w/170 eng., export, A904	6	—	1	—	—	—	—	—	—	—	—	—	2892 076
	w/225 eng., export, A904	6	1	1	1	1	—	—	—	—	—	—	—	2892 078
	w/225 eng., A904	6	1	1	1	—	1	—	—	—	—	—	—	2892 077
	w/318 eng., A904-1	8	1	1	1	1	1	—	—	—	—	—	—	2892 080
	w/340 eng., A727	8	—	1	1	—	—	—	—	—	—	—	—	2892 089
	w/383 eng., w/4 bbl. carb., A727	8	1	1	1	1	1	1	1	—	—	—	—	2892 091
	w/225 eng., heavy duty, A727	6	—	—	—	1	1	1	—	—	—	—	—	2892 086
	w/318 eng., heavy duty, A727A	8	—	—	—	1	1	1	1	—	—	—	—	2892 087
	w/383 eng., w/2 bbl. carb., A727	8	—	—	—	1	1	1	1	1	—	—	—	2892 090
	R, W, w/383 and 440 H/Perf. Eng., C, w/440 H/Perf. Eng., P, D, except Sta. Wgn. w/440 and H/perf. eng., A727	8	—	—	—	1	1	1	1	—	1	1	—	2892 093
	w/426 Eng., (Cancelled—Service Component Parts) A727	8	—	—	—	1	1	—	—	—	—	—	—	2892 094
	w/426 Eng., A727	8	—	—	—	1	1	—	—	—	—	—	—	3410 671
	w/A904 Trans., Canada	6	—	—	—	—	—	—	1	—	—	—	—	2892 077
	w/A727 Trans., Canada	6	—	—	—	—	—	—	1	—	—	—	—	2892 086
	P,D, Sta. Wgn., C,Y,w/440 Std. eng., A727	8	—	—	—	—	—	1	1	—	1	1	—	2892 092

21-03-0 TRANSMISSION CASE

21-03-6	COVER, w/170 and 225 Eng., A904 Trans.	6	1	1	1	1	1	—	—	—	—	—	—	1949 767
	w/273 and 318 Eng., w/A904 Trans.	8	1	1	1	1	1	—	—	—	—	—	—	2892 913
	w/383 Eng., w/4 bbl. Carb., A727	8	—	1	1	—	—	—	—	—	—	—	—	1942 248
	B, L, w/340 Eng., R, W, P, D, w/318 Eng., w/A727 Trans.	8	—	1	1	1	1	1	1	—	—	—	—	2892 912
	w/225 Eng., w/A727 Heavy Duty Trans.	6	—	—	—	1	1	1	—	—	—	—	—	2892 163
	w/383, 426 and 440 Eng., A727 Trans.	8	—	—	—	1	1	1	1	1	1	1	—	1942 248
	w/A904 Trans., Canada	6	—	—	—	—	—	—	1	—	—	—	—	1949 767
	w/A727 Trans., Canada	6	—	—	—	—	—	—	1	—	—	—	—	2892 163
	SCREW, w/WASHER		AR	AR	AR	AR	AR	AR	AR	AR	AR	AR	AR	6023 092
21-03-7	COVER, Torque Conv. Drain, w/273 and 318 Eng., w/A904 Trans.	8	1	1	1	1	1	—	—	—	—	—	—	2464 551
	B,L, W/340 Eng., R,W,P,D w/318 Eng., w/A727 Trans.	8	—	1	1	1	1	1	1	—	—	—	—	2204 728
21-03-23	SCREW, w/WASHER, Cylinder Block To Trans. Case, 7/16"-14 x 1 7/8"		—	2	2	2	2	2	2	—	—	—	—	6024 862
	7/16"-14 x 2 1/8"		AR	AR	AR	AR	AR	AR	AR	AR	AR	AR	AR	6024 863
	Rt., 7/16"-14 x 1 5/8"		1	1	1	1	1	1	1	1	1	1	1	6025 571
	Lt., 7/16-14 x 1 7/8"		1	1	1	1	1	1	1	1	1	1	1	6024 862
	3/8"-16 x 1 7/8"	6	1	1	1	1	1	—	—	—	—	—	—	6024 864
	Trans. Case to Cyl. Block, 3/8"-16 x 1 3/8		AR	AR	AR	AR	AR	AR	AR	AR	AR	AR	AR	6023 187
	3/8"-16 x 2 5/8"	6	—	—	—	3	3	3	—	—	—	—	—	6027 252
	Strut to case, 3/8"-16 x 1"		2	2	2	2	2	—	—	—	—	—	—	181 022
	7/16"- 14 x 1 1/8"		AR	AR	AR	AR	AR	AR	AR	—	—	—	—	6023 143

TYPE LETTERS Indicates B - Barracuda V - Valiant L - Dart R - Belvedere W - Coronet P - Plymouth D - Dodge C - Chrysler Y - Imperial

AR Indicates use as required. Numerals in parentheses () refer to notes. Printed in U.S.A.
 # Indicates parts not listed in any previous parts book. ★ Indicates change or addition. January 1971

CODE	PART NAME	ENG. TYPE OR CU.IN.	V	B	L	R	W	P	D	C	C	C	Y	PART NUMBER
			1-2	1-2	1-2	1-2	1-2	1-2	1-2	1	2	3	1	
AUTOMATIC TRANSMISSION														
21-03-0 TRANSMISSION CASE Cont'd.														
21-03-23	SCREW Cont'd. Strut to Cyl. Block, 3/8"- 16 x 1"	8	2	2	2	2	2	2	2	—	—	—	—	180 122
21-03-28	STRUT, Case to Cyl. Block, w/170 and 225 Eng., Lt. Side	6	1	1	1	1	1	1	—	—	—	—	—	1949 701
	W/273, 318 and 340 Eng., Rt. Side	8	1	1	1	1	1	1	—	—	—	—	—	2204 702
	Lt. Side	8	1	1	1	1	1	1	—	—	—	—	—	2466 009
	Canada	6	—	—	—	—	—	—	1	—	—	—	—	1949 701
21-03-30	SEAL, Case to Starter Motor, Canada	6	—	—	—	—	—	—	1	—	—	—	—	2892 164
21-30-0 TRANSMISSION GEARSHIFT CONTROLS														
21-30-2	LEVER, W/KNOB, Column Shift, Chrysler Blt.	8	1	1	1	1	1	—	—	—	—	—	—	2883 435
	Chrysler Blt.,	8	—	—	—	—	—	1	1	1	1	—	—	2950 362
	Saginaw blt., w/Tilt, Telescopic	8	—	—	—	—	—	1	1	—	—	—	—	2950 457
	Saginaw Blt., w/Tilt, Telescopic	8	—	—	—	—	—	—	1	1	1	1	—	2883 441
	Canada	6	—	—	—	—	—	—	1	—	—	—	—	2950 362
	Saginaw blt., w/o Tilt, Telescopic w/o Knob, w/console	—	—	—	—	—	—	1	1	1	1	1	1	2950 456
	PIN, Lever Spring, Slotted Spring Type	—	1	1	1	1	1	1	1	1	1	—	—	2950 207
21-30-6	KNOB, w/PAD, Gearshift Control Selector Lever, w/Console, Wood Grained	—	1	1	1	1	1	1	1	1	1	—	—	2950 713
	Die Cast, P,D,w/Console, Canada	—	—	—	—	—	—	1	1	—	—	—	—	2660 357
	KNOB, Column Gearshift Lever	1	1	1	1	1	1	1	1	1	1	1	—	2883 402
	SCREW, Lever Knob Set, w/Console	—	1	1	1	1	1	1	1	1	1	—	—	426 094
	PIN, Spring, 3/16" x 7/8" Slot Type	—	1	1	1	1	1	1	1	1	1	1	—	152 233
21-30-7	RING, Gearshift Control Selector Lever Knob, Canada	—	1	1	1	1	1	1	1	1	1	1	—	2950 717
21-30-10	BUTTON, Gearshift Control Selector Lever Knob, w/Console, Chrome Plated	—	1	1	1	1	1	1	1	1	1	—	—	2800 819
	(Will enter production approx. Oct. 1968 (Black))	—	1	1	1	1	1	1	1	1	1	—	—	2950 715
21-30-11	GATE, Column Gearshift Lever, Chrysler Blt	8	1	1	1	1	1	1	1	1	1	—	—	2950 146
	Shift Lever Saginaw Blt.	8	—	—	—	—	—	1	1	1	1	1	—	2950 562
	SCREW,	2	2	2	2	2	2	2	2	2	2	—	—	6027 370
21-30-13	SPRING, Gearshift Control Selector Lever Knob, 6 Coils, w/Console (Will enter production approx. Oct. 1968) 8 coils	—	1	1	1	1	1	1	1	1	1	—	—	2660 359
		—	1	1	1	1	1	1	1	1	1	—	—	2950 716
21-30-15	LAMP, w/LENS and HOUSING, Console Gearshift Selector Indicator, w/o Socket, w/Shift Pattern (Also See Code 21-30-28)	1	1	1	1	1	1	1	1	1	—	—	—	2820 756
21-30-19	COVER, Instrument Panel Gear Selector Indicator, w/Console, w/Black Face Gearshift Indicator Opening, w/Black Face	8	—	—	—	—	—	—	—	1	1	1	—	2927 067
		8	—	—	—	—	—	—	—	1	1	1	—	2927 258
21-30-21	DIAL, or LENS, Column Gearshift, with Shift Pattern	1	1	1	1	1	—	—	—	—	—	—	—	2781 381
21-30-22	PIN, Column Gearshift Lever, Saginaw Blt., 29/32" lgh.	—	—	—	—	—	—	1	1	1	1	1	—	2880 725
21-30-23	POINTER, Column Gearshift Indicator or Dial w/Bracket, nut and washer, w/o console	1	1	1	1	1	—	—	—	—	—	—	—	2883 301
		—	—	—	—	—	—	1	—	—	—	—	—	3420 571

TYPE LETTERS Indicates

B - Barracuda

V - Valiant
L - DartR - Belvedere
W - CoronetP - Plymouth
D - DodgeC - Chrysler
Y - Imperial

AR Indicates use as required.

Indicates parts not listed in any previous parts book.

Numerals in parentheses () refer to notes.

★ Indicates change or addition.

Printed in U.S.A.
January 1971

CODE	PART NAME	ENG. TYPE OR CU.IN.	V	B	L	R	W	P	D	C	C	C	Y	PART NUMBER
			1-2	1-2	1-2	1-2	1-2	1-2	1-2	1	2	3	1	
AUTOMATIC TRANSMISSION														
21-30-0 TRANSMISSION GEARSHIFT CONTROLS Cont'd.														
21-30-23	POINTER Cont'd.													
	w/Bracket, nut and washer D2	8	—	—	—	—	—	—	1	—	—	—	—	3420 572
	C	8	—	—	—	—	—	—	—	1	1	1	—	3420 573
	w/Bracket, Used UP TO Approx. Jan. 13, 1969		—	—	—	—	—	—	—	—	—	—	1	3420 574
	Used AFTER Approx. Jan. 13, 1969	8	—	—	—	—	—	—	—	—	—	—	1	3420 573
	INDICATOR, LENS and DIAL													
	w/o Console		—	—	—	—	—	1	—	—	—	—	—	2927 063
	RIVET, Plastic, 3/15" x 5/32"	8	—	—	—	—	—	2	2	2	2	—	—	6027 976
21-30-24	BRACKET, Column Gearshift Tube													
	Indicator w/o Stud,		—	—	—	—	—	1	1	1	1	1	1	2950 421
	w/Stud,		—	—	—	—	—	1	1	1	1	1	1	2950 808
	RIVET, Plastic, 3/16" x 5/32"		—	—	—	—	—	2	2	2	2	2	2	6027 976
21-30-26	RETAINER, Column Gearshift Dial		1	1	1	1	1	—	—	—	—	—	—	2530 243
21-30-28	LAMP, w/SOCKET and CABLE, Gearshift Indicator, w/o Console		1	1	1	1	1	—	—	—	—	—	—	2580 072
	SOCKET, Gearshift Selector Lamp, w/Console		—	—	—	—	—	1	1	1	1	1	—	1753 632
21-30-33	CONTACT, Gearshift Selector Lamp Socket, W/Console	8	—	1	1	1	1	1	1	1	1	1	—	2256 966
21-30-38	BUSHING, Gearshift Control Selector Lever Pivot Stud, W/Console,		—	2	2	2	2	2	2	2	2	2	—	2643 910
21-30-43	SPRING, Shift Lever, w/Tilt Wheel, Telescopic, w/o Console, 10 Coils		—	—	—	—	—	1	1	1	1	1	1	2880 284
	Shift Lever, Upper, w/o Console, Saginaw Built		—	—	—	—	—	1	1	1	1	1	1	2880 306
21-30-62	DIFFUSER, Gearshift Indicator Lamp		1	1	1	1	1	—	—	—	—	—	—	2580 381
21-30-100	SPRING, Column Gearshift Lever, 10 Coils, 61/64" Lhg., Chrysler Blt		1	1	1	1	1	1	1	1	1	—	—	2950 467
	WASHER		1	1	1	1	1	1	1	1	1	—	—	6023 046
21-30-353	PAWL, w/CABLE, Gearshift Control Selector Lever Lock, w/Console, Pin, Cotter		—	1	1	1	1	1	1	1	1	1	—	2950 210
			—	1	1	1	1	1	1	1	1	1	—	108 636
21-30-355	SPRING, Gearshift Control Selector Lever Lock Pawl, 23 Coils, w/Console		—	1	1	1	1	1	1	1	1	1	—	2643 913
21-30-393	SPACER, Gearshift Control Selector Lever Cable, Plastic, 7/8" Lgh., w/Console,		—	1	1	1	1	1	1	1	1	1	—	2768 061
21-30-408	COVER, Control Lever Opening, Plastic, 8 15/16" Lgh., w/Console,		1	1	1	1	1	1	1	1	1	—	—	2656 089
21-30-416	SUPPORT, Gearshift Control Selector Lever, w/Console		—	1	1	1	1	1	1	1	1	—	—	2768 096
	PLATE, Gearshift Control Actuator, w/Console, Used up to Approx. July 1, 1969		—	1	1	1	1	1	1	1	1	1	1	2800 812
	Used after Approx. July 1, 1969		—	1	1	1	1	1	1	1	1	1	1	3467 116
	BRACKET, w/NUT, Gearshift Selector to Floor Pan Mtg., w/Console		—	—	—	1	1	—	—	—	—	—	—	2657 530
			—	—	—	—	1	1	1	1	1	—	—	2902 773
21-30-418	ROD, Gearshift Control, Upper, w/Console		—	1	1	—	—	—	—	—	—	—	—	2781 417
	Lwr		—	1	1	—	—	—	—	—	—	—	—	2950 212
	Upper		—	—	1	1	—	—	—	—	—	—	—	2800 815

TYPE LETTERS Indicates

B - Barracuda

V - Valiant
L - DartR - Belvedere
W - CoronetP - Plymouth
D - DodgeC - Chrysler
Y - Imperial

AR Indicates use as required.

Indicates parts not listed in any previous parts book.

Numerals in parentheses () refer to notes.

★ Indicates change or addition.

Printed in U.S.A.

January 1971

CODE	PART NAME	ENG. TYPE OR CU.IN.	V	B	L	R	W	P	D	C	C	C	Y	PART NUMBER
			1-2	1-2	1-2	1-2	1-2	1-2	1	2	3	1		
AUTOMATIC TRANSMISSION														
21-30-0 TRANSMISSION GEARSHIFT CONTROLS Cont'd.														
21-30-418	ROD Cont'd.													
	Lwr.		—	—	—	1	1	1	1	1	1	1	—	2950 211
	Upper		—	—	—	—	—	—	1	1	1	—	—	2800 817
	Rear, w/o Console	8	1	1	1	—	—	—	—	—	—	—	—	2800 947
	Clip, Rod Swivel, Rr.		1	1	1	1	1	—	—	—	—	—	—	6025 071
	CLIP, Rod Cotter, Upper		1	1	1	1	1	1	1	1	1	1	1	1137 669
	Rod, Upper		1	1	1	1	1	1	1	1	1	1	1	6025 071
	WASHER, Rod, Upper		3	3	3	3	3	3	3	3	3	3	3	6027 467
	Rod, Spring Type, Upper		1	1	1	1	1	1	1	1	1	1	1	6017 029
	Rod, Lwr.		1	1	1	1	1	1	1	1	1	1	1	6027 467
	Rod, Spring Type, Lwr.		1	1	1	1	1	1	1	1	1	1	1	6017 029
21-30-426	WASHER, Gearshift Control Selector Lever Pivot Stud, w/Console		1	1	1	1	1	1	1	1	1	1	1	632 258
21-30-428	SWIVEL, Gearshift Control Rod, Lwr., w/Console		1	1	1	1	1	1	1	1	1	1	1	2467 935
	WASHER, Gearshift Control Rod, Rr., w/o Console,		2	2	2	2	2	2	2	2	2	2	2	631 217
	Rod Swivel, Rr., w/o Console		1	1	1	1	1	2	2	2	2	2	2	631 217
	Rod, Swivel, w/Console		2	2	2	2	2	2	2	2	2	2	2	6027 467
21-30-433	CLIP, Gearshift Control Selector Lever Pivot Stud w/Console, Use w/3/8" to 7/16" Dia. Rod		1	1	1	1	1	1	1	1	1	1	—	1635 232

21-84-0 TRANSMISSION SPEEDOMETER CABLE ASSEMBLY

21-84-1	CABLE, w/HOUSING, w/o Auto. Speed Control		1	1	1	1	1	1	—	1	1	1	1	2889 783
	w/Auto. Speed Control, Lwr		—	—	—	1	1	—	—	—	—	—	—	2927 666
	w/Auto. Speed Control, Upper	8	—	—	—	1	1	1	—	—	—	—	—	2927 910
	w/auto. Speed Control To Servo, Lwr.		—	—	—	—	1	1	1	1	1	1	1	2889 785
	w/Auto. Speed Control, Upper	8	—	—	—	—	—	—	1	—	—	—	—	2927 912
	w/Auto. Speed Control, Upper	8	—	—	—	—	—	—	—	1	1	1	—	2927 914
	w/o Auto. Speed Control, P1 Canada		—	—	—	—	—	1	1	—	—	—	—	2822 024
21-84-4	SHAFT or CABLE PACKAGE, 80" lgh		1	1	1	1	1	1	1	1	1	1	1	2448 294
21-84-8	GROMMET, Speedometer Cable Dash		1	1	1	1	1	1	1	1	1	1	1	2216 552

NOTES

TYPE LETTERS Indicates

B - Barracuda

V - Valiant
L - DartR - Belvedere
W - CoronetP - Plymouth
D - DodgeC - Chrysler
Y - Imperial

AR Indicates use as required.

Indicates parts not listed in any previous parts book.

Numerals in parentheses () refer to notes.

★ Indicates change or addition.

Printed in U.S.A.

January 1971

AUTOMATIC TRANSMISSION

21-85-0 TRANSMISSION SPEEDOMETER GEAR AND PINION

21-85-5		PINION			
Tire Size	2.71 to 1 Ratio	2.76 to 1 Ratio	2.93 to 1 Ratio	2.94 to 1 Ratio	3.23 to 1 Ratio
	Pinion Teeth	Pinion Teeth	Pinion Teeth	Pinion Teeth	Pinion Teeth
6.50 x 13	-----	2538 930 30 Y	2538 932 32 BL	-----	2538 935 35 O
7.00 x 13	-----	2538 929 29 BL	2538 931 31 G	-----	2538 934 34 G
C78 x 14	-----	2538 929 29BL	2538 931 31G	-----	2538 934 34G
6.95 x 14	-----	2538 929 29BL	2538 931 31 G	-----	2538 934 34 G
7.35 x 14	2538 928 28 B	2538 928 28 B	2538 930 30 Y	2538 930 30 Y	2538 933 33 Y
F78 x 14	2538 927 27W	2538 927 27W	2538 929 29BL	2538 929 29BL	2538 932 32BL
7.75 x 14	2538 927 27 W	2538 927 27 W	2538 929 29 BL	2538 929 29 BL	2538 932 32 BL
8.25 x 14	2538 927 27 W	2538 927 27 W	2538 929 29 BL	2538 929 29 BL	2538 932 32 BL
8.55 x 14	2538 926 26 R	2538 926 26 R	2538 928 28 B	2538 928 28 B	2538 931 31 G
D70 x 14	-----	2538 929 29 BL	2538 931 31 G	-----	2538 934 34 G
E70 x 14	-----	2538 929 29 BL	2538 930 30 Y	-----	2538 933 33 Y
F70 x 14	2538 928 28 B	2538 930 30 Y	2538 930 30 Y	2538 932 32 BL	-----
7.75 x 15	2538 927 27 W	2538 927 27 W	2538 929 29 BL	2538 929 29 BL	2538 932 32 BL
G78 x 15	2538 926 26R	2538 927 27W	2538 928 28B	2538 928 28B	2538 931 31G
8.25 x 15	2538 926 26 R	2538 927 27 W	2538 928 28 B	2538 928 28 B	2538 931 31 G
H78 x 15	2538 926 26R	2538 926 26R	-----	2538 928 28B	2538 931 31G
8.55 x 15	2538 926 26 R	2538 926 26 R	-----	2538 928 28 B	2538 931 31 G
J78 x 15	-----	2538 926 26R	-----	2538 927 27W	2538 930 30Y
8.85 x 15	-----	2538 926 26 R	-----	2538 927 27 W	2538 930 30 Y
9.15 x 15	-----	2538 926 26 R	-----	2538 927 27 W	2538 930 30 Y
F70 x 15	-----	2538 927 27W	-----	2538 929 29 BL	2538 932 32 BL
G70 x 15	2538 927 27 W	2538 927 27 W	-----	2538 929 29 BL	2538 931 31 G
Tire Size	3.31 to 1 ratio	3.54 to Ratio	3.55 to 1 Ratio	3.91 to 1 Ratio	4.10 to 1 Ratio
	Pinion Teeth	Pinion Teeth	Pinion Teeth	Pinion Teeth	Pinion Teeth
6.50 x 13	-----	-----	2538 939 39 G	2538 943 43 B	-----
7.00 x 13	-----	-----	2538 938 38 B	2538 941 41 R	-----
C78 x 14	-----	-----	2538 937 37W	2538 941 41R	-----
6.95 x 14	-----	-----	2538 937 37 W	2538 941 41 R	-----
7.35 x 14	-----	-----	2538 936 36 R	2538 940 40 O	-----
F78 x 14	2538 933 33Y	-----	2538 935 350	2538 939 39G	-----
7.75 x 14	2538 933 33 Y	-----	2538 935 35 O	2538 939 39 G	-----
8.25 x 14	2538 932 32 BL	-----	2538 935 35 O	2538 938 38 B	-----
8.55 x 14	2538 931 31 G	-----	2538 934 34 G	2538 937 37 W	-----
D70 x 14	-----	-----	2538 937 37 W	2538 941 41 R	-----
E70 x 14	-----	-----	2538 937 37 W	2538 940 40 O	-----
F70 x 14	-----	2538 935 35 O	2538 936 36 R	2538 939 39 G	2538 941 41 R
7.75 x 15	2538 933 33 Y	-----	2538 935 35 O	2538 938 38 B	-----
G78 x 15	2538 932 32BL	-----	2538 934 34G	2538 938 38B	-----
8.25 x 15	2538 932 32 BL	-----	2538 934 34 G	2538 938 38 B	-----
H78 x 15	2538 931 31G	-----	2538 934 34G	-----	-----
8.55 x 15	2538 931 31 G	-----	2538 934 34 G	-----	-----
J78 x 15	2538 931 31G	-----	2538 933 33Y	-----	-----
8.85 x 15	2538 931 31 G	-----	2538 933 33 Y	-----	-----
9.15 x 15	2538 931 31 G	-----	2538 933 33 Y	-----	-----
F70 x 15	-----	2538 935 35 O	2538 935 35 O	2538 938 38 B	2538 940 40 O
G70 x 15	2538 932 32 BL	-----	2538 935 35 O	-----	-----

COLOR OF PINIONS

G-GREEN

R-RED

W-WHITE

B-BLUE

Y-YELLOW

BL-BLACK

O-ORANGE

TYPE LETTERS Indicates

B - Barracuda

V - Valiant
L - Dart

R - Belvedere
W - Coronet

P - Plymouth
D - Dodge

C - Chrysler
Y - Imperial

AR Indicates use as required.

Indicates parts not listed in any previous parts book.

Numerals in parentheses () refer to notes.

★ Indicates change or addition.

Printed in U.S.A.

January 1971

CODE	PART NAME	ENG. TYPE OR CU.IN.	V	B	L	R	W	P	D	C	C	C	Y	PART NUMBER
			1-2	1-2	1-2	1-2	1-2	1-2	1-2	1	2	3	1	

AUTOMATIC TRANSMISSION

21-85-0 TRANSMISSION SPEEDOMETER GEAR AND PINION Cont'd.

21-85-9	ADAPTER, Speedometer Drive PINION,		1	1	1	1	1	1	1	1	1	1	1	2538 608
	"O" RING, Adapter,,Rubber, 1 35/64" I.D.		1	1	1	1	1	1	1	1	1	1	1	6025 752
21-85-22	SEAL, Pinion Adapter, Rubber,		1	1	1	1	1	1	1	1	1	1	1	2538 588
21-85-23	RING, Speedometer Seal Retainer, Steel		1	1	1	1	1	1	1	1	1	1	1	2538 571
21-85-61	CLAMP, Speedometer Drive Pinion Adapter,		1	1	1	1	1	1	1	1	1	1	1	2538 257
	SCREW, w/WASHER, Clamp		1	1	1	1	1	1	1	1	1	1	1	180 077

21-113-0 TRANSMISSION NEUTRAL STARTER AND BACK-UP LIGHT SWITCH

21-113-24	SWITCH, w/WASHER		1	1	1	1	1	1	1	1	1	1	1	2932 820
21-113-29	WASHER, Mtg.		1	1	1	1	1	1	1	1	1	1	1	2408 143

21-119-0 TRANSMISSION OIL PAN

21-119-15	TUBE, Oil Filler, w/170 and 225 Eng., A904 Trans.	6	1	1	1	1	1	1	—	—	—	—	—	2801 911
	w/273 and 318 Eng., A904 Trans.	8	1	1	1	1	1	1	—	—	—	—	—	2801 912
	w/383-4 bbl. Carb., A727 Trans.	8	—	1	1	—	—	—	—	—	—	—	—	2892 407
	w/340 Eng., A727 Trans.	8	—	1	1	—	—	—	—	—	—	—	—	2892 405
	w/426 eng., A727 Trans.	8	—	—	—	1	1	—	—	—	—	—	—	2892 815
	w/225 Eng., A727 Trans.	6	—	—	—	1	1	1	—	—	—	—	—	2892 408
	w/318 eng., A727 Trans. P2, D2, AFTER Approx. Sept. 23, 1968	8	—	—	—	1	1	1	1	—	—	—	—	2801 918
	w/383 and 440 Eng., A727 Trans.	8	—	—	—	1	1	1	1	1	1	1	1	2801 919
	w/318 eng., A727 Trans., Used UP TO Approx. Sept. 23, 1968	8	—	—	—	—	—	1	1	—	—	—	—	2801 916
	w/318 eng., A727 Trans. UP TO Ser. No. 176794 Canada	8	—	—	—	—	—	1	1	—	—	—	—	2801 916
21-119-19	INDICATOR, Oil Lever, R, W, w/o 426 Eng., R, W, w/426 Eng.		1	1	1	1	1	1	1	1	1	1	1	2466 302
			—	—	—	1	1	—	—	—	—	—	—	2538 849
21-119-25	SEAL, Oil Filler Tube		1	1	1	1	1	1	1	1	1	1	1	1316 815

21-142-0 TRANSMISSION CONTROL LEVER

21-142-12	LEVER, Throttle Control	6	1	1	1	—	—	—	—	—	—	—	—	2946 609
	w/273 Eng.	8	1	—	1	—	—	—	—	—	—	—	—	2536 293
	w/318 Eng.	8	1	1	1	1	1	—	—	—	—	—	—	2863 708
	w/340 and 383 Eng., 4 bbl. Carb.	8	—	1	1	—	—	—	—	—	—	—	—	2536 270
	w/318 Eng.	8	—	—	—	1	1	—	—	—	—	—	—	2536 275
	w/225 Eng., 1 bbl. Carb., Std.	6	—	—	—	1	1	1	—	—	—	—	—	2899 321
	w/225 Eng., 1 bbl. Carb., Heavy Duty	6	—	—	—	1	1	1	—	—	—	—	—	2899 325
	w/383, 426 and 440 Eng.	8	—	—	—	1	1	—	—	—	—	—	—	2536 270
	w/318 Eng., A904 Trans.	8	—	—	—	—	—	1	—	—	—	—	—	2946 604
	w/318, 383 and 440 Eng., A727 Trans.	8	—	—	—	—	—	1	1	1	1	1	1	2899 370
21-142-18	LEVER, Manual Control, w/49/64" I.D. Hole in Bolt End On Trans. Case, w/A904		1	1	1	1	1	1	—	—	—	—	—	2538 064
	w/53/64" I.D. Hole in Bolt End, w/A727 Trans.		—	1	1	1	1	1	1	1	1	1	1	2801 828
	SCREW		1	1	1	1	1	1	1	1	1	1	1	180 034

TYPE LETTERS Indicates

B - Barracuda

V - Valiant
L - DartR - Belvedere
W - CoronetP - Plymouth
D - DodgeC - Chrysler
Y - Imperial

AR Indicates use as required.

Indicates parts not listed in any previous parts book.

Numerals in parentheses () refer to notes.

★ Indicates change or addition.

Printed in U.S.A.

January 1971

AUTOMATIC TRANSMISSION

NOTE: All quantities are one (1) unless otherwise indicated in parenthesis.

CODE	TRANSMISSION	2892 076 A904	2892 077 A904	2892 078 A904	2892 079 A904	2892 080 A904-1	2892 086 A727	2892 087 A727
21-01-0 TRANSMISSION SETS OR PACKAGES								
21-01-3	SEAL and GASKET PACKAGE	3420 064	3420 064	3420 064	3420 064	3420 064	2808 414	2808 414
21-03-0 TRANSMISSION CASE								
21-03-1	CASE	2892 849	2892 849	2892 849	2892 850	2892 851	2892 855	2892 853
21-03-15	PLUG	-----	-----	-----	-----	-----	1882 735	-----
21-04-0 TRANSMISSION CASE EXTENSION								
21-04-1	EXTENSION	2466 956	2466 956	2466 956	2466 956	2466 956	2466 969	2466 969
	SCREW and WASHER (6)	6023 514	6023 514	6023 514	6023 514	6023 514	6023 514	6023 514
21-04-2	GASKET	2466 954	2466 954	2466 954	2466 954	2466 954	2466 954	2466 954
	Output Shaft Brg. Inspection Cover	2801 398	2801 398	2801 398	2801 398	2801 398	2801 398	2801 398
21-04-8	COVER, Output Shaft Brg. Inspection SCREW (2)	2466 957 6026 884	2466 957 6026 884	2466 957 6026 884	2466 957 6026 884	2466 957 6026 884	2466 957 6026 884	2466 957 6026 884
21-04-11	BUSHING	2801 726	2801 726	2801 726	2801 726	2801 726	2801 724	2801 724
21-05-0 TRANSMISSION OUTPUT SHAFT								
21-05-1	SHAFT, w/PLUG SHAFT	2538 567	2538 567	2538 567	2538 567	2538 567	----- 2801 314	----- 2801 314
21-05-2	BEARING, Output Shaft	2466 484	2466 484	2466 484	2466 484	2466 484	2466 224	2466 224
21-05-8	SNAP RING, Brg., Outer Brg. (2)	2400 185 6025 668	2400 185 6025 668	2400 185 6025 668	2400 185 6025 668	2400 185 6025 668	2400 320 6025 570	2400 320 6025 570
21-05-12	SEAL, Yoke, 1 9/16" lgh., w/One Lip, Rubber and Metal 1 61/64" lgh., 2 1/2" O.D.	2400 163	2400 163	2400 163	2400 163	2400 163	----- 2400 300	----- 2400 300
21-05-19	SNAP RING, Output Shaft, .040" thk., Red (AR) .048" thk., Orange (AR) .059" thk., Yellow (AR) .048" thk. (AR) .055" thk. (AR) .062" thk. (AR)	6026 289 6026 290 6026 291 ----- ----- -----	6026 289 6026 290 6026 291 ----- ----- -----	6026 289 6026 290 6026 291 ----- ----- -----	6026 289 6026 290 6026 291 ----- ----- -----	6026 289 6026 290 6026 291 ----- ----- -----	----- ----- ----- 6022 816 6024 311 6024 312	----- ----- ----- 6022 816 6024 311 6024 312
21-05-25	SUPPORT, Output Shaft	2466 881	2466 881	2466 881	2466 881	2466 881	2466 882	2466 882
21-05-35	WASHER, Output Shaft Thrust, Natural .052" thk. (AR) .068" Thk., Red (AR) .062" thk. (AR) .083" thk., Black (AR)	2538 669 2538 670 ----- 2538 671	2538 669 2538 670 ----- 2538 671	2538 669 2538 670 ----- 2538 671	2538 669 2538 670 ----- 2538 671	2538 669 2538 670 ----- 2538 671	----- ----- ----- 2400 843	----- ----- ----- 2400 843
21-117-0 TRANSMISSION OIL FILTER								
NOTE: See Code 5-53-3 for Tubes.								
21-117-1	FILTER or STRAINER, 6 21/32" lgh., w/2 Holes SCREW and WASHER(3)	2466 849 6026 390	2466 849 6026 390	2466 849 6026 390	2466 849 6026 390	2466 849 6026 390	2466 849 6026 390	2466 849 6026 390

TYPE LETTERS Indicates

B - Barracuda

V - Valiant
L - DartR - Belvedere
W - CoronetP - Plymouth
D - DodgeC - Chrysler
Y - Imperial

AR Indicates use as required.

Indicates parts not listed in any previous parts book.

Numerals in parentheses () refer to notes.

★ Indicates change or addition.

Printed in U.S.A.

January 1971

AUTOMATIC TRANSMISSION

NOTE: All quantities are one (1) unless otherwise indicated in parenthesis.

CODE	TRANSMISSION	2892 076 A904	2892 077 A904	2892 078 A904	2892 079 A904	2892 080 A904-1	2892 086 A727	2892 087 A727
21-118-0 TRANSMISSION OIL PUMP								
21-118-6	ROTOR PACKAGE, Frt. Oil Pump	2808 685	2808 685	2808 685	2808 685	2808 685	2808 675	2808 675
21-118-40	HOUSING, w/BUSHING, Frt. Pump	2538 206	2538 206	2538 206	2538 206	2538 206	-----	-----
	HOUSING, w/BUSHING and PLUG, Frt. Pump	-----	-----	-----	-----	-----	2538 973	2538 973
	SCREW and WASHER (6) (7)	6023 943	6023 943	6023 943	6023 943	-----	6023 943	6023 943
21-118-45	OIL SEAL, Frt. Pump Hsg., 8 17/64" O.D. 10" O.D.	2204 709	2204 709	2204 709	2204 709	2204 709	-----	-----
21-118-47	BUSHING, Frt. Pump Hsg	2466 796	2466 796	2466 796	2466 796	2466 796	2466 324	2466 324
21-118-54	GASKET, Frt. Pump Hsg.	-----	-----	-----	-----	-----	2124 846	2124 846
21-118-55	SCREW, w/WASHER, Pump Hsg. (6) (7)	6023 943	6023 943	6023 943	6023 943	6023 943	-----	-----
		-----	-----	-----	-----	-----	6023 943	6023 943
21-118-57	SHIELD, Frt. Pump Hsg. Vent w/PLUG	-----	-----	-----	-----	-----	2204 993	2204 993
		-----	-----	-----	-----	-----	2892 679	2892 679
21-118-58	PLUG, Vent Shield	-----	-----	-----	-----	-----	2892 553	2892 553
21-119-0 TRANSMISSION OIL PAN								
21-119-3	PAN, Oil w/PLUG, Oil SCREW (14)	2464 413	2464 413	2464 413	2464 413	2464 413	-----	-----
		6023 355	6023 355	6023 355	6023 355	6023 355	2464 419	2464 419
21-119-5	GASKET, Oil Pan	2205 299	2205 299	2205 299	2205 299	2205 299	2464 324	2464 324
21-119-11	PLUG, Oil Pan Drain	-----	-----	-----	-----	-----	2125 890	2125 890
21-119-12	GASKET, Drain Plug	-----	-----	-----	-----	-----	2400 863	2400 863
21-129-0 TRANSMISSION INPUT SHAFT AND TORQUE CONVERTER								
REACTION SHAFT								
21-129-5	SHAFT, Input Ball, Seal, 11/32"	2538 407	2538 407	2538 407	2538 407	2538 407	2801 053	2801 053
		-----	-----	-----	-----	-----	147 488	147 488
21-129-6	BUSHING, Input Shaft	-----	-----	-----	-----	-----	2205 242	2205 242
21-129-7	RING, Input Shaft Seal (2)	1941 831	1941 831	1941 831	1941 831	1941 831	-----	-----
		-----	-----	-----	-----	-----	2801 054	2801 054
21-129-10	SHAFT, w/SUPPORT, Reaction Ball, Large 11/32" (2)	2538 409	2538 409	2538 409	2538 409	2538 409	2801 045	2801 045
		-----	-----	-----	-----	-----	147 488	147 488
		104 918	104 918	104 918	104 918	104 918	-----	-----
21-129-11	BAFFLE, Vent	-----	-----	-----	-----	-----	2400 479	2400 479
21-129-13	RING, Reaction Shaft Support Seal (2)	1942 389	1942 389	1942 389	1942 389	1942 389	2124 813	2124 813
21-129-23	BUSHING, Reaction Shaft	2801 728	2801 728	2801 728	2801 728	2801 728	2801 348	2801 348
21-129-24	GASKET, Reaction Shaft Support, 8 15/64" O.D.	1942 390	1942 390	1942 390	1942 390	1942 390	-----	-----

TYPE LETTERS Indicates

B - Barracuda

V - Valiant
L - DartR - Belvedere
W - CoronetP - Plymouth
D - DodgeC - Chrysler
Y - Imperial

AR Indicates use as required.

Indicates parts not listed in any previous parts book.

Numerals in parentheses () refer to notes.

★ Indicates change or addition.

Printed in U.S.A.

January 1971

AUTOMATIC TRANSMISSION

NOTE: All quantities are one (1) unless otherwise indicated in parenthesis.

CODE	TRANSMISSION	2892 076 A904	2892 077 A904	2892 078 A904	2892 079 A904	2892 080 A904-1	2892 086 A727	2892 087 A727
21-133-0 TRANSMISSION CLUTCH								
21-133-7	RETAINER, w/BUSHING, Fr. Clutch	2801 012	2801 012	3420 077	3420 077	3420 077	2801 284	2801 284
	Rr. Clutch	2892 441	2892 441	2892 441	2892 422	2892 422	2466 801	2466 801
	Rr. Clutch Piston	-----	-----	-----	-----	-----	2124 833	2124 833
21-133-10	BUSHING, Fr. Clutch Retainer	2801 727	2801 727	2801 727	2801 727	2801 727	2205 241	2205 241
21-133-15	PISTON, Fr. Clutch Rr.	2892 420	2892 420	2892 420	2892 420	2892 420	2464 651	2464 651
	Ball, RR. Clutch Check Valve	147 483	147 483	147 483	147 483	147 483	147 483	147 483
21-133-17	SEAL, Fr. Clutch Piston, Inner	1942 396	1942 396	1942 396	1942 396	1942 396	2124 820	2124 820
	Outer	1942 397	1942 397	1942 397	1942 397	1942 397	2124 821	2124 821
	Rr. Clutch Piston, Inner	2538 510	2538 510	2538 510	2538 510	2538 510	1942 054	1942 054
	Outer	2538 695	2538 695	2538 695	2538 695	2538 695	2124 835	2124 835
	RING, Rr. Clutch Retainer Seal	1323 593	1323 593	1323 593	1323 593	1323 593	-----	-----
21-133-20	SPRING, Fr. Clutch Piston	2205 233	1942 467	2801 844	2801 844	1942 467	-----	-----
	Rr.	1942 414	1942 414	1942 414	1942 414	1942 414	-----	-----
	Fr. (12)	-----	-----	-----	-----	-----	2801 243	2801 243
	Rr.	-----	-----	-----	-----	-----	1942 015	1942 015
21-133-22	RETAINER, Fr. Clutch Piston Spring	1942 399	1942 399	1942 399	1942 399	1942 399	2801 949	2801 949
	Ball, Check Valve	147 483	147 483	147 483	147 483	147 483	147 483	147 483
21-133-25	SNAP RING, RR. Clutch Retainer, .060" thk., 5 1/4" O.D. (AR)	1942 421	1942 421	1942 421	1942 421	1942 421	-----	-----
	.076" thk. (AR)	1942 423	1942 423	1942 423	1942 423	1942 423	-----	-----
	.098" thk. (AR)	2538 617	2538 617	2538 617	2538 617	2538 617	-----	-----
	.060" thk., 7" O.D. (AR)	-----	-----	-----	-----	-----	1942 063	1942 063
	.074" thk. (AR)	-----	-----	-----	-----	-----	1942 064	1942 064
	.088" thk. (AR)	-----	-----	-----	-----	-----	1942 065	1942 065
	.106" thk. (AR)	-----	-----	-----	-----	-----	2466 811	2466 811
	Rr. Clutch Piston Retainer, .060" thk., 1 31/64" O.D.	-----	-----	-----	-----	-----	2124 872	2124 872
21-133-31	SPRING, Rr. Clutch Wave, 5 11/32" O.D. 7 3/32" O.D.	2466 283	2466 283	2466 283	2466 283	2801 626	-----	-----
		-----	-----	-----	-----	-----	2466 806	2466 806
21-133-36	DISC, Fr. Clutch (3) (4)	2205 203	2205 203	-----	-----	-----	2801 167	2801 167
	Rr. Clutch (3) (4)	2892 551	2892 551	2205 203	2205 203	2205 203	-----	-----
		-----	-----	-----	2892 551	2892 551	2801 992	2801 992
21-133-38	PLATE, Fr. Clutch (3) (4)	1942 403	1942 403	-----	-----	-----	2124 826	2124 826
	Rr. (2) (3)	1942 403	1942 403	1942 403	1942 403	1942 403	-----	-----
		-----	-----	-----	1942 403	1942 403	2124 826	2124 826
21-133-39	PLATE, Fr. Clutch Pressure	2801 969	2801 969	2801 969	2801 969	2801 969	2801 961	2801 961
	Rr. Clutch Pressure, Fr.	2466 281	2466 281	2466 281	2466 281	2466 281	2466 803	2466 803
	Rr. Clutch Pressure, Rr.	2801 969	2801 969	2801 969	2801 969	2801 969	2801 961	2801 961

TYPE LETTERS Indicates

B - Barracuda

V - Valiant
L - DartR - Belvedere
W - CoronetP - Plymouth
D - DodgeC - Chrysler
Y - Imperial

AR Indicates use as required.

Indicates parts not listed in any previous parts book.

Numerals in parentheses () refer to notes.

★ Indicates change or addition.

Printed in U.S.A.

January 1971

AUTOMATIC TRANSMISSION

NOTE: All quantities are one (1) unless otherwise indicated in parenthesis.

CODE	TRANSMISSION	2892 076 A904	2892 077 A904	2892 078 A904	2892 079 A904	2892 080 A904-1	2892 086 A727	2892 087 A727
21-133-0 TRANSMISSION CLUTCH Cont'd.								
21-133-40	GEAR, w/BUSHING, Sun	1942 434	1942 434	1942 434	1942 434	1942 434	2801 311	2801 311
21-133-42	SHELL, Sun Gear Driving	1942 438	1942 438	1942 438	1942 438	1942 438	2400 662	2400 662
21-133-43	SNAP RING, Frt. Clutch Inner, 2 7/16" O.D. 3" I.D., .060" Thk.	1942 400	1942 400	1942 400	1942 400	1942 400	-----	-----
	Outer, 5 1/4" O.D., .060" thk.	1942 421	1942 421	1942 421	1942 421	1942 421	2124 824	2124 824
	Frt. Clutch, 7" O.D., .060" thk.	-----	-----	-----	-----	-----	1942 063	1942 063
21-133-46	RING, Sun Gear Driving Shell Lock (2)	1942 439	1942 439	1942 439	1942 439	1942 439	1736 521	1736 521
21-133-47	PLATE, Sun Gear Driving Shell Thrust, w/28 Inside Tangs (2)	3410 540	3410 540	3410 540	3410 540	3410 540	-----	-----
	w/4 Inside Tangs	-----	-----	-----	-----	-----	1942 080	1942 080
21-133-48	WASHER, Sun Gear Driving Shell Thrust, w/3 Outside Tabs and 3 Oil Grooves (2)	2801 356	2801 356	2801 356	2801 356	-----	-----	-----
	w/4 Outside Tabs and 4 Oil Grooves (2)	-----	-----	-----	-----	2538 515	-----	-----
	w/3 Outside Tabs	-----	-----	-----	-----	-----	1942 081	1942 081
21-133-62	SPACER, Rr. Clutch Piston Sprg., 5" O.D. 6 25/32" O.D.	2801 162	2801 162	2801 162	2801 162	2801 162	-----	-----
		-----	-----	-----	-----	-----	2801 161	2801 161
21-133-65	WASHER, Frt. Clutch Thrust, 2 5/8" O.D. (2)	2204 369	2204 369	2204 369	2204 369	2204 369	-----	-----
	Frt. Clutch Thrust, Frt., Green, .061" thk., 3 21/64" O.D. (AR)	-----	-----	-----	-----	-----	2204 622	2204 622
	Red, .084" thk. (AR)	-----	-----	-----	-----	-----	2204 623	2204 623
	Yellow, .102" thk. (AR)	-----	-----	-----	-----	-----	2400 284	2400 284
	Frt. Clutch Thrust, Rr., Green, .061" thk. (AR)	-----	-----	-----	-----	-----	2204 622	2204 622
21-134-0 TRANSMISSION FRONT AND REAR PLANET PINION CARRIER AND COMPONENTS								
21-134-5	CARRIER, w/PINION and WASHERS, Frt.	2801 018	2801 018	2801 018	2801 018	2538 523	2466 537	2466 537
	Rr.	2801 180	2801 180	2801 180	2801 180	2538 522	2466 539	2466 539
21-134-8	PINION, Frt. and Rr. Planet (6)	2466 759	2466 759	2466 759	2466 759	-----	-----	-----
	(8)	-----	-----	-----	-----	2466 759	-----	-----
	Frt. (3)	-----	-----	-----	-----	-----	2400 667	2400 667
	Rr. (3)	-----	-----	-----	-----	-----	2400 667	2400 667
21-134-9	SHAFT, Frt. and Rr. (6)	2801 363	3801 363	2801 363	2801 363	-----	-----	-----
	Frt. and Rr. (8)	-----	-----	-----	-----	2801 363	-----	-----
	Frt. (3)	-----	-----	-----	-----	-----	2464 178	2464 178
	Rr. (3)	-----	-----	-----	-----	-----	2464 178	2464 178
	PIN (AR)	6024 666	6024 666	6024 666	6024 666	6024 666	6024 666	6024 666

TYPE LETTERS Indicates

B - Barracuda

V - Valiant
L - DartR - Belvedere
W - CoronetP - Plymouth
D - DodgeC - Chrysler
Y - Imperial

AR Indicates use as required.

Indicates parts not listed in any previous parts book.

Numerals in parentheses () refer to notes.

★ Indicates change or addition.

Printed in U.S.A.

January 1971

AUTOMATIC TRANSMISSION

NOTE: All quantities are one (1) unless otherwise indicated in parenthesis.

CODE	TRANSMISSION	2892 076 A904	2892 077 A904	2892 078 A904	2892 079 A904	2892 080 A904-1	2892 086 A727	2892 087 A727
21-134-0 TRANSMISSION FRONT AND REAR PLANET PINION CARRIER AND COMPONENTS Cont'd.								
21-134-10	WASHER, Frt. and Rr. w/2 Grooves (12) (16) Frt. (6) Rr. (6)	2466 758 ----- ----- -----	2466 758 ----- ----- -----	2466 758 ----- ----- -----	2466 758 ----- ----- -----	----- 2466 758 ----- -----	----- ----- 2801 315 2801 315	----- ----- 2801 315 2801 315
21-134-11	ROLLER, Frt. and Rr. (114) (152) Frt. (69) Rr. (69)	2466 756 ----- ----- -----	2466 756 ----- ----- -----	2466 756 ----- ----- -----	2466 756 ----- ----- -----	----- 2466 756 ----- -----	----- ----- 2204 647 2204 647	----- ----- 2204 647 2204 647
21-134-12	RING, Frt. and Rr. Planet Pinion Roller Thrust, 39/64" O.D. (12) (16) Frt., 49/64" O.D. (6) Rr. (6)	2466 757 ----- ----- -----	2466 757 ----- ----- -----	2466 757 ----- ----- -----	2466 757 ----- ----- -----	----- 2466 757 ----- -----	----- ----- 2204 649 2204 649	----- ----- 2204 649 2204 649
21-134-30	WASHER, Frt. Carrier Thrust, w/3 Outside Tabs Rr.	----- ----- ----- -----	----- ----- ----- -----	----- ----- ----- -----	----- ----- ----- -----	----- ----- ----- -----	1942 081 1942 081	1942 081 1942 081
21-134-36	SUPPORT, Frt. Annulus Gear Rr.	2538 574 1942 450	2538 574 1942 450	2538 574 1942 450	2538 574 1942 450	2538 574 1942450	----- -----	----- -----
21-134-38	GEAR, Frt. and Rr. Annulus (2) Frt. Rr.	1942 443 ----- -----	1942 443 ----- -----	1942 443 ----- -----	1942 443 ----- -----	1942 443 ----- -----	----- 2892 656 2538 185	----- 2892 656 2538 185
21-134-40	SNAP RING, Frt. and Rr. Annulus Gear (2) Frt. Annulus Gear Support	1942 444 6026 278	1942 444 6026 278	1942 444 6026 278	1942 444 6026 278	1942 444 6026 278	----- -----	----- -----
21-134-45	WASHER, Frt. Annulus Gear Support Thrust, w/6 Oil Grooves and 1 Outside Tab PLATE, Rr. Annulus Gear Thrust, w/31 Inside Teeth, 3 23/64" O.D.	2538 696 ----- -----	2538 696 ----- -----	2538 696 ----- -----	2538 696 ----- -----	2538 696 ----- -----	----- ----- 2400 580	----- ----- 2400 580
21-136-0 TRANSMISSION BANDS								
21-136-5	BAND, Kickdown	2204 792	2204 792	2204 792	2204 792	2204 792	2124 342	2124 342
21-136-15	STRUT, Kickdown Band ANCHOR, Kickdown Band	1630 896 -----	1630 896 -----	1630 896 -----	1630 896 -----	1630 896 -----	2124 848 1942 120	2124 848 1942 120
21-136-17	SCREW, Kickdown Band Adjusting NUT, Lock 1/2" 20"	1942 477 ----- 124 934	1942 477 ----- 124 934	1942 477 ----- 124 934	1942 477 ----- 124 934	1942 477 ----- 124 934	2400 389 ----- 124 934	2400 389 ----- 124 934
21-136-20	LEVER, Kickdown Band	2204 952	2125 067	2124 579	2124 579	2124 579	2204 952	2204 952
21-136-23	SHAFT, Kickdown Band Lever	1942 132	1942 132	1942 132	1942 132	1942 132	1942 132	1942 132
21-136-30	BAND, Reverse	1942 487	1942 487	1942 487	1942 487	2801 818	1942 133	1942 133
21-136-41	STRUT, Reverse Band	1942 497	1942 497	1942 497	1942 497	-----	2204 823	2204 823
21-136-44	LINK, w/ANCHOR, Reverse Band	2464 439	2464 439	2464 439	2464 439	-----	2204 820	2204 820

TYPE LETTERS Indicates

B - Barracuda

V - Valiant
L - DartR - Belvedere
W - CoronetP - Plymouth
D - DodgeC - Chrysler
Y - Imperial

AR Indicates use as required.

Indicates parts not listed in any previous parts book.

Numerals in parentheses () refer to notes.

★ Indicates change or addition.

Printed in U.S.A.

January 1971

AUTOMATIC TRANSMISSION

NOTE: All quantities are one (1) unless otherwise indicated in parenthesis.

CODE	TRANSMISSION	2892 076 A904	2892 077 A904	2892 078 A904	2892 079 A904	2892 080 A904-1	2892 086 A727	2892 087 A727
21-136-0 TRANSMISSION BANDS Cont'd.								
21-136-47	LEVER, w/STEM, Reverse Band	1942 491	1942 491	1942 491	1942 491	2801 815	1942 137	1942 137
	Reverse Band, Short	2464 851	2464 851	2464 851	2464 851	-----	2124 493	2124 493
	Reverse Band, Short, Tapered Hub	-----	-----	-----	-----	-----	2892 233	2892 233
21-136-49	SHAFT, Reverse Band Lever	1942 493	1942 493	1942 493	1942 493	1942 493	2124 857	2124 857
	Reverse Band Reaction	2801 958	2801 958	2801 958	2801 958	-----	-----	-----
21-136-50	SEAL, Reverse Band Reaction Shaft	-----	-----	-----	-----	1556 385	-----	-----
21-136-52	SCREW, Reverse Band Adjusting	1942 543	1942 543	1954 543	1942 543	2538 472	1942 141	1942 141
21-136-55	SEAL, Reverse Band Lever Shaft	-----	-----	-----	-----	-----	1672 358	1672 358
21-136-65	DRUM, Reverse 12T., 47T 12T., 24T	2538 474 2892 728	2538 474 2892 728	2538 474 2892 728	2538 474 -----	2538 474 -----	2464 384 -----	2464 384 -----
21-136-228	CAM and RETAINER PACKAGE, "O" Running Clutch	2808 637	2808 637	2808 637	2808 637	2808 637	-----	-----
21-136-229	SCREW, w/WASHER, "O" Running Clutch Cam (7)	1559 489	1559 489	1559 489	1559 489	1559 489	-----	-----
21-136-231	CAM, "O" Running Clutch Screw, Set	-----	-----	-----	-----	-----	1942 095 139 324	1942 095 139 324
21-136-232	RACE, ROLLER and SPRING PACKAGE, "O" Running Clutch 47T 24T 26T	2808 668 3420 023 -----	2808 668 3420 023 -----	2808 668 3420 023 -----	2808 668 3420 023 -----	2808 668 2420 023 -----	----- ----- 2808 669	----- ----- 2808 669
21-136-233	RETAINER, "O" Running Clutch Spring	-----	-----	-----	-----	-----	2801 426	2801 426
21-136-235	ROLLER, "O" Running Clutch (10) (12) ROLLER and SPRING PACKAGE, "O" Running Clutch	2464 888 ----- -----	2464 888 ----- -----	2464 888 ----- -----	2464 888 ----- -----	2464 888 ----- -----	----- 670 776 -----	----- 670 776 -----
21-136-236	SPRING, "O" Running Clutch Roller (10) (12)	2808 672 2464 446 -----	2808 672 2464 446 -----	2808 672 2464 446 -----	2808 672 2464 446 -----	2808 672 2464 446 -----	2808 673 ----- 1942 187	2808 673 ----- 1942 187
21-137-0 TRANSMISSION SERVOS								
21-137-5	PISTON, Kickdown Servo	1942 478	1942 478	1942 478	1942 478	1942 478	2124-850	2124-850
21-137-8	RING, Kickdown Servo Piston Seal, Small Large Kickdown Servo Guide Kickdown Servo Guide Seal	1672 287 1636 470 1636 470 -----	1672 287 1636 470 1636 470 -----	1672 287 1636 470 1636 470 -----	1672 287 1636 470 1636 470 -----	1672 287 1636 470 1636 470 -----	2124 851 1942 123 ----- ----- 1942 123	2124 851 1942 123 ----- ----- 1942 123
21-137-11	ROD, Kickdown Servo Piston	1942 482	1942 482	1942 482	1942 482	1942 482	2124 853	2124 853
21-137-13	GUIDE, Kickdown Servo	1942 485	1942 485	1942 485	1942 485	1942 485	2124 856	2124 856
21-137-19	SNAP RING, Kickdown Servo	1942 486	1942 486	1942 486	1942 486	1942 486	1942 130	1942 130
TYPE LETTERS Indicates		V - Valiant L - Dart		R - Belvedere W - Coronet		P - Plymouth D - Dodge		C - Chrysler Y - Imperial

AR Indicates use as required.

Indicates parts not listed in any previous parts book.

Numerals in parentheses () refer to notes.

★ Indicates change or addition.

Printed in U.S.A.

January 1971

AUTOMATIC TRANSMISSION

NOTE: All quantities are one (1) unless otherwise indicated in parenthesis.

CODE	TRANSMISSION	2892 076 A904	2892 077 A904	2892 078 A904	2892 079 A904	2892 080 A904-1	2892 086 A727	2892 087 A727
21-137-0 TRANSMISSION SERVOS Cont'd.								
21-137-22	SPRING, Kickdown Servo Piston	2801 316	2801 316	2801 316	2801 316	2801 316	-----	-----
	Inner, 15 1/2 Coils, 2 1/2" lgh.	-----	-----	-----	-----	-----	2124 852	2124 852
	Outer	-----	-----	-----	-----	-----	2125 069	2125 069
21-137-35	PISTON, Reverse Servo	2801 271	2801 271	2801 271	2801 271	2801 271	2801 281	2801 281
21-137-41	SPRING, Reverse Servo Cushion	2801 273	2801 273	2801 273	2801 273	2801 273	2801 273	2801 273
21-137-47	PLUG, Reverse Servo Piston	2801 272	2801 272	2801 272	2801 272	2801 272	2801 272	2801 272
	Ring	6027 153	6027 153	6027 153	6027 153	6027 153	6027 153	6027 153
21-137-50	SEAL, Reverse Servo Piston, Rubber	2464 462	2464 462	2464 462	2464 462	2464 462	2464 481	2464 481
21-137-53	SPRING, Reverse Servo Piston	2801 274	2801 274	2801 274	2801 274	2801 274	2801 241	2801 241
21-137-56	RETAINER, Reverse Servo Piston Spring	2464 463	2464 463	2464 463	2464 463	2464 463	1942 150	1942 150
21-137-59	SNAP RING, Reverse Servo Piston Spring Retainer	2464 464	2464 464	2464 464	2464 464	2464 464	1942 130	1942 130
21-137-200	PISTON, Accumulator	1942 153	1942 153	1942 153	1942 153	1942 153	1942 153	1942 153
21-137-202	RING, Accumulator Piston Seal, Small	1941 831	1941 831	1941 831	1941 831	1941 831	1941 831	1941 831
	Large	2124 255	2124 255	2124 555	2124 555	2124 555	2124 555	2124 555
21-137-205	SPRING, Accumulator Piston	2125 109	2125 109	2125 109	2125 109	2801 871	2464 076	2538 264
21-138-0 TRANSMISSION GOVERNOR								
21-138-2	REPAIR PACKAGE, Governor	3004 606	3004 607	3004 606	3004 606	3004 606	2275 498	2585 589
21-138-7	SNAP RING, Governor Body	6027 271	6027 271	6027 271	6027 271	6027 271	6022 817	6022 817
21-138-10	SUPPORT, Governor	2538 635	2538 635	2538 635	2538 635	2538 635	2538 634	2538 634
21-138-13	WEIGHT, Governor, Outer	1636 461	1636 461	1636 461	1636 461	1636 461	1636 461	1636 461
	Inner	1636 462	1636 462	1636 462	1636 462	1636 462	1636 462	1636 462
21-138-15	SPRING, Governor Weight 6 Coils	2124, 662	1949 858	2124 662	2124 662	2124 662	1949 858	2124 662
		-----	-----	-----	-----	2892 979	-----	2892 979
21-138-19	SNAP RING, Governor Weight, Outer	1636 465	1636 465	1636 465	1636 465	1636 465	1636 465	1636 465
	Inner	1636 464	1636 465	1636 464	1636 464	1636 464	1636 464	1636 464
21-138-21	LOCK, Governor Body Bolt (2)	2125 024	2125 024	2125 024	2125 024	2125 024	2125 024	2125 024
21-138-23	VALVE, Governor	2124 663	2124 663	2124 663	2124 663	2124 663	2124 663	2124 663
21-138-26	SHAFT, Governor Valve	1556 082	1556 082	1556 082	1556 082	1556 082	1556 082	1556 082
21-138-29	SNAP RING, Governor Valve Shaft (3)	1638 461	1638 461	1638 461	1638 461	1638 461	-----	-----
	(2)	-----	-----	-----	-----	-----	1638 461	1638 461
21-138-38	RING, Governor Support Seal Frt. and Rr. (2)	1942 109	1942 109	1942 109	1942 109	1942 109	1942 109	1942 109
21-139-0 TRANSMISSION VALVE BODY AND VALVES								
21-139-4	BODY, w/Transfer Plate	2892 497	2892 498	2892 498	2892 499	2892 499	2892 357	2892 357
	Ball, Check Valve, Small	104 918	104 918	104 918	104 918	104 918	104 918	104 918
	Large	-----	-----	-----	-----	-----	147 488	147 488
TYPE LETTERS Indicates		B - Barracuda	V - Valiant L - Dart	R - Belvedere W - Coronet	P - Plymouth D - Dodge	C - Chrysler Y - Imperial		

AR Indicates use as required.

Indicates parts not listed in any previous parts book.

Numerals in parentheses () refer to notes.

★ Indicates change or addition.

Printed in U.S.A.

January 1971

AUTOMATIC TRANSMISSION

NOTE: All quantities are one (1) unless otherwise indicated in parenthesis.

CODE	TRANSMISSION	2892 076 A904	2892 077 A904	2892 078 A904	2892 079 A904	2892 080 A904-1	2892 086 A727	2892 087 A727
21-139-0 TRANSMISSION VALVE BODY AND VALVES Cont'd.								
21-139-9	VALVE, Manual	2801 259	2801 259	2801 259	2801 259	2801 259	2801 259	2801 259
21-139-12	LEVER, w/INSULATOR, Manual Valve	2801 783	2801 783	2801 783	2801 783	2801 783	2801 783	2801 783
21-139-16	SEAL, Manual Valve Shaft, 1 1/4" O.D.	2466 842	2466 842	2466 842	2466 842	2466 842	2466 842	2466 842
21-139-24	SPRING, Manual Valve Lever Detent BALL 11/32"	2466 615 147 488	2466 615 147 488	2466 615 147 488	2466 615 147 488	2466 615 147 488	2466 615 147 488	2466 615 147 488
21-139-30	VALVE, Throttle	2892 349	2892 349	2892 349	2892 349	2892 349	2892 349	2892 349
21-139-33	SPRING, Throttle Valve	2892 350	2892 350	2892 350	2892 350	2892 350	2892 350	2892 350
21-139-34	PIN, Manual Valve Lever Spring	2466 756	2466 756	2466 756	2466 756	2466 756	2466 756	2466 756
21-139-46	WASHER, Throttle Valve Lever Shaft	2538 062	2538 062	2538 062	2538 062	2538 062	2538 062	2538 062
21-139-47	SEAL, Throttle Lever Shaft, 11/16" O.D.	2466 548	2466 548	2466 548	2466 548	2466 648	2466 548	2466 548
21-139-49	E-RING, Throttle Valve Lever Shaft	6025 857	6025 857	6025 857	6025 857	6025 857	6025 857	6025 857
21-139-50	LEVER, Throttle Valve	2466 854	2466 854	2466 854	2466 854	2466 854	2466 854	2466 854
21-139-60	COVER, Throttle Pressure SCREW, w/WASHER, Long	2801 198 9418 651	2801 198 9418 651	2801 198 9418 651	----- 9418 651	----- 9418 651	----- -----	----- -----
21-139-63	PLUG, Regulator Valve Throttle Pressure Regulator Valve Line Pressure Throttle Pressure	1942 245 1942 218 2801 197	1942 245 1942 218 2801 197	1942 245 1942 218 2801 197	1942 245 1942 218 -----	1942 245 1942 218 -----	1942 245 1942 218 -----	1942 245 1942 218 -----
21-139-64	SLEEVE, Regulator Valve Line Pressure Plug	1942 213	1942 213	1942 213	1942 213	1942 213	1942 213	1942 213
21-139-67	VALVE PACKAGE, Regulator	2240 685	2240 685	2240 685	2240 685	2240 685	2240 685	2240 685
21-139-68	SPRING, Regulator Valve Pressure Relief BALL, Pressure Relief 3/8" 3/16"	2124 734 2892 846 104 920 147 500	2124 734 2892 846 104 920 147 500	2124 734 2892 846 104 920 147 500	2124 734 2892 846 104 920 147 500	2124 734 2892 846 104 920 147 500	2124 734 2892 846 104 920 147 500	2124 734 2892 846 104 920 147 500
21-139-71	RETAINER, Regulator Valve Spring	2204 975	2204 975	2204 975	2204 975	2204 975	2204 975	2204 975
21-139-74	SCREW, Line Pressure Adjusting Throttle Pressure Adjusting	2124 736 6023 343	2124 736 6023 343	2124 736 6023 343	2124 736 6023 343	2124 736 6023 343	2124 736 6023 343	2124 736 6023 343
21-139-76	NUT, Throttle Pressure Adjusting Screw Lock Line Pressure Adjusting Screw	2892 353 2124 737	2892 353 2124 737	2892 353 2124 737	2892 353 2124 737	2892 353 2124 737	2892 353 2124 737	2892 353 2124 737
21-139-78	VALVE, Kickdown PLUG, Kickdown Detent	2892 351 2892 352	2892 351 2892 352	2892 351 2892 352	2892 351 2892 352	2892 351 2892 352	2892 351 2892 352	2892 351 2892 352
21-139-95	VALVE, Shuttle PLUG, Shuttle Valve	1854 275 1854 274	1854 275 1854 274	1854 275 1854 274	1854 275 1854 274	1854 275 1854 274	1854 275 1854 274	1854 275 1854 274
21-139-98	SNAP RING, Shuttle Valve	6025 857	6025 857	6025 857	6025 857	6025 857	6025 857	6025 857
21-139-101	SPRING, Shuttle Valve, 16 Coils 15 Coils	2124 697 3410 319	2124 697 3410 319	2124 697 3410 319	2124 697 3410 319	2124 697 3410 319	2124 697 -----	2124 697 -----

TYPE LETTERS Indicates

B - Barracuda

V - Valiant
L - DartR - Belvedere
W - CoronetP - Plymouth
D - DodgeC - Chrysler
Y - Imperial

AR Indicates use as required.

Indicates parts not listed in any previous parts book.

Numerals in parentheses () refer to notes.

* Indicates change or addition.

Printed in U.S.A.

January 1971

AUTOMATIC TRANSMISSION

NOTE: All quantities are one (1) unless otherwise indicated in parenthesis.

CODE	TRANSMISSION	2892 076 A904	2892 077 A904	2892 078 A904	2892 079 A904	2892 080 A904-1	2892 086 A727	2892 087 A727
21-139-0 TRANSMISSION VALVE BODY AND VALVES Cont'd.								
21-139-105	VALVE, 1-2 Shift	1941 602	1941 602	1941 602	1941 602	1941 602	1941 602	1941 602
	PLUG, 1-2 Shift	1941 603	1941 603	1941 603	1941 603	1941 603	1941 603	1941 603
	VALVE, 2-3 Shift	1941 600	1941 600	1941 600	1941 600	1941 600	1941 600	1941 600
	PLUG, 2-3 Shift	1941 601	1941 601	1941 601	1941 601	1941 601	1941 601	1941 601
21-139-108	SPRING, 1-2 Shift							
	Valve	2204 547	2204 547	2204 547	2204 547	2204 547	2204 547	2204 547
	2-3 Shift Valve	1942 231	1942 231	1942 231	1942 231	1942 231	1942 231	1942 231
21-139-117	VALVE, Torque Conv.							
	Control	2124 256	2124 256	2124 256	2124 256	2124 256	2124 256	2124 256
21-139-118	SPRING, Torque Conv.							
	Control Valve	2124 257	2124 257	2124 257	2124 257	2124 257	2124 257	2124 257
21-139-135	COVER, Reg. Valve	2205 034	2205 034	2205 034	2205 034	2205 034	2205 034	2205 034
	Shift Valve Plug	2538 662	2538 662	2538 662	2538 662	2638 662	2638 662	2538 662
	Shuttle Valve	1942 227	1942 227	1942 227	1942 227	1942 227	1942 227	1942 227
	Shift Valve	2801 244	2801 244	2801 244	2801 244	2801 244	2801 244	2801 244
21-139-140	PLATE, Valve Body	2801 254	2892 901	2892 901	2466 887	2466 887	2538 043	2538 043
21-139-147	PLATE, Transfer	2801 295	2801 295	2801 295	2801 295	2801 295	2801 295	2801 295
	SCREW and Washer							
	Plate to Valve							
	Body (14)	6027 391	6027 391	6027 391	6027 391	6027 391	6027 391	6027 391
21-139-154	SUPPORT, Transfer							
	Plate	1942 237	1942 237	1942 237	1942 237	1942 237	1942 237	1942 237

NOTE: All quantities are one (1) unless otherwise indicated in parenthesis.

CODE	TRANSMISSION	2892 089 A727	2892 090 A727	2892 091 A727	2892 092 A727	2892 093 A727	2892 094 A727
------	--------------	------------------	------------------	------------------	------------------	------------------	------------------

21-01-0 TRANSMISSION SETS OR PACKAGES

21-01-3	SEAL and GASKET PACKAGE	2808 414	2808 414	2808 414	2808 414	2808 414	2808 585
---------	----------------------------	----------	----------	----------	----------	----------	----------

21-03-0 TRANSMISSION CASE

21-03-1	CASE	2892 853	2892 854	2892 854	2892 854	2892 854	2892 854
---------	------	----------	----------	----------	----------	----------	----------

21-04-0 TRANSMISSION CASE EXTENSION

21-04-1	EXTENSION	2466 969	2466 969	2466 969	2466 969	2466 969	2466 969
	SCREW and WASHER						
	(6)	6023 514	6023 514	6023 514	6023 514	6023 514	6023 514
21-04-2	GASKET	2466 954	2466 954	2466 954	2466 954	2466 954	2456 954
	Output Shaft Brg. Inspection Cover	2801 398	2801 398	2801 398	2801 398	2801 398	2801 398
21-04-8	COVER, Output Shaft Brg. Inspection	2466 957	2466 957	2466 957	2466 957	2466 957	2466 957
	SCREW (2)	6026 884	6026 884	6026 884	6026 884	6026 884	6026 884
21-04-11	BUSHING	2801 724	2801 724	2801 724	2801 724	2801 724	2801 724

21-05-0 TRANSMISSION OUTPUT SHAFT

21-05-1	SHAFT	2801 314	2801 314	2801 314	2801 314	2892 655	2892 655
21-05-2	BEARING, Output Shaft	2466 224	2466 224	2456 224	2466 224	2466 224	2466 224
21-05-8	SNAP RING, Brg., Outer	2400 320	2400 320	2400 320	2400 320	2400 320	2400 320
	Brg. (2)	6025 570	6025 570	6025 570	6025 570	6025 570	6025 570
21-05-12	SEAL, Yoke, 1 61/64" lgh., 2 1/2" O.D.	2400 300	2400 300	2400 300	2400 300	2400 300	2400 300
21-05-19	SNAP RING, Output Shaft, .048" thk. (AR)	6022 816	6022 816	6022 816	6022 816	6022 816	6022 816
	.055" thk. (AR)	6024 311	6024 311	6024 311	6024 311	6024 311	6024 311
	.062" thk. (AR)	6024 312	6024 312	6024 312	6024 312	6024 312	6024 312
21-05-25	SUPPORT, Output Shaft	2466 882	2466 882	2466 882	2466 882	2466 882	2466 882

TYPE LETTERS Indicates

B - Barracuda

V - Valiant
L - DartR - Belvedere
W - CoronetP - Plymouth
D - DodgeC - Chrysler
Y - Imperial

AR Indicates use as required.

Indicates parts not listed in any previous parts book.

Numerals in parentheses () refer to notes.

★ Indicates change or addition.

Printed in U.S.A.

January 1971

AUTOMATIC TRANSMISSION

NOTE: All quantities are one (1) unless otherwise indicated in parenthesis.

CODE	TRANSMISSION	2892 089 A727	2892 090 A727	2892 091 A727	2892 092 A727	2892 093 A727	2892 094 A727
21-05-0 TRANSMISSION OUTPUT SHAFT Cont'd.							
21-05-35	WASHER, Output Shaft Thrust, Natural, .062" thk. (AR) .062" thk. (AR)	2400 843	2400 843	2400 843	2400 843	2400 843	2400 843 2801 568
21-117-0 TRANSMISSION OIL FILTER							
NOTE: See Code 5-53-3 for Tubes.							
21-117-1	FILTER or STRAINER, 6 21/32" lgh., w/2 holes SCREW, w/WASHER (3)	2466 849 6026 390	2466 849 6026 390	2466 849 6026 390	2466 849 6026 390	2466 849 6026 390	2466 849 6026 390
21-118-0 TRANSMISSION OIL PUMP							
21-118-6	ROTOR PACKAGE, Frt. Pump	2808 675	2808 675	2808 675	2808 675	2808 675	2808 675
21-118-40	HOUSING, w/BUSHING and PLUG, Frt. Pump SCREW AND WASHER (7)	3410 965 6023 943	3410 965 6023 943	3410 965 6023 943	3410 965 6023 943	3410 965 6023 943	2892 424 6023 943
21-118-45	OIL SEAL, Frt. Pump Hsg., 10" O.D.	1942 021	1942 021	1942 021	1942 021	1942 021	1942 021
21-118-47	BUSHING, Frt. Pump Hsg	2466 324	2466 324	2466 324	2466 324	2466 324	2466 324
21-118-54	GASKET, Frt. Pump Hsg	2124 846	2124 846	2124 846	2124 846	2124 846	2124 846
21-118-55	SCREW, w/WASHER, Pump Hsg. (7)	6023 943	6023 943	6023 943	6023 943	6023 943	6023 943
21-118-57	SHIELD, Frt. Pump Hst. Vent w/PLUG	2204 993 2892 679	2204 993 2892 679	2204 993 2892 679	2204 993 2892 679	2204 993 2892 679	2204 993 2892 679
21-118-58	PLUG, Vent Shield	2892 553	2892 553	2892 553	2892 553	2892 553	2892 553
21-119-0 TRANSMISSION OIL PAN							
21-119-3	PAN, w/PLUG, Oil SCREW (14)	2464 419 6023 355	2464 419 6023 355	2464 419 6023 355	2464 419 6023 355	2464 419 6023 355	2464 419 6023 355
21-119-5	GASKET, Oil Pan	2464 324	2464 324	2464 324	2464 324	2464 324	2464 324
21-129-0 TRANSMISSION INPUT SHAFT AND TORQUE CONVERTER REACTION SHAFT							
21-129-5	SHAFT, Input BALL, SEAL, 11/32"	2801 053 147 488	2801 053 147 488	2801 053 147 488	2801 053 147 488	2801 053 147 488	2801 053 147 488
21-129-6	BUSHING, Input Shaft	2205 242	2205 242	2205 242	2205 242	2205 242	2205 242
21-129-7	RING, Input Shaft Seal (2)	2801 054	2801 054	2801 054	2801 054	2801 054	2801 054
21-129-10	SHAFT, w/SUPPORT, Reaction BALL, Large 11/32" (4)	2801 045 147 488	2801 045 147 488	2801 045 147 488	2801 045 147 488	2801 045 147 488	2801 045 147 488
21-129-11	BAFFLE, Vent	2400 479	2400 479	2400 479	2400 479	2400 479	2466 197
21-129-13	RING, Reaction Shaft Support Seal (2)	2124 813	2124 813	2124 813	2124 813	2124 813	2124 813
21-129-23	BUSHING, Reaction Shaft	2801 348	2801 348	2801 348	2801 348	2801 348	2801 348
21-133-0 TRANSMISSION CLUTCH							
21-133-7	RETAINER, w/BUSHING, Frt. Clutch Rr. Clutch Rr. Clutch Piston	2801 989 2466 801 2124 833	2801 989 2466 801 2124 833	2801 989 2466 801 2124 833	2801 989 2466 801 2124 833	2801 989 2466 801 2124 833	2801 220 2538 047 2124 833
21-133-10	BUSHING, Frt. Clutch Retainer	2205 241	2205 241	2205 241	2205 241	2205 241	2205 241
21-133-15	PISTON, Frt. Clutch Rr. BALL, Rr. Clutch Check Valve	2464 651 2204 645 147 483	2124 819 2204 645 147 483	2464 651 2204 645 147 483	2464 651 2204 645 147 483	2124 819 2204 645 147 483	2464 651 2204 645 147 483
TYPE LETTERS Indicates							
B - Barracuda		V - Valiant L - Dart	R - Belvedere W - Coronet	P - Plymouth D - Dodge	C - Chrysler Y - Imperial		

AR Indicates use as required.

Indicates parts not listed in any previous parts book.

Numerals in parentheses () refer to notes.

★ Indicates change or addition.

Printed in U.S.A.

January 1971

AUTOMATIC TRANSMISSION

NOTE: All quantities are one (1) unless otherwise indicated in parenthesis.

CODE	TRANSMISSION	2892 089 A727	2892 090 A727	2892 091 A727	2892 092 A727	2892 093 A727	2892 094 A727
21-133-0 TRANSMISSION CLUTCH Cont'd.							
21-133-17	SEAL, Frt. Clutch Piston, Inner	2124 820	2124 820	2124 820	2124 820	2124 820	2124 820
	Outer	2124 821	2124 821	2124 821	2124 821	2124 821	2124 821
	Rr. Clutch Piston, Inner	1942 054	1942 054	1942 054	1942 054	1942 054	1942 054
	Outer	2124 835	2124 835	2124 835	2124 835	2124 835	2124 835
21-133-20	SPRING, Frt. Clutch Piston Frt. (12)	—	—	—	—	—	2801 243
	(6)	2801 243	—	2801 243	2801 243	—	—
	(8)	—	2801 243	—	—	—	—
	(10)	—	—	—	—	2801 243	—
	Rr.	1942 015	1942 015	1942 015	1942 015	1942 015	1942 015
21-133-22	RETAINER, Frt. Clutch Piston	2801 949	2801 949	2801 949	2801 949	2801 949	2801 949
	SPRING	147 483	147 483	147 483	147 483	147 483	147 483
21-133-25	SNAP RING, Rr. Clutch Retainer,	1942 063	1942 063	1942 063	1942 063	1942 063	1942 063
	.060" thk., 7" O.D. (AR)	1942 064	1942 064	1942 064	1942 064	1942 064	1942 064
	.074" thk. (AR)	1942 065	1942 065	1942 065	1942 065	1942 065	1942 065
	.088" thk. (AR)	2466 811	2466 811	2466 811	2466 811	2466 811	2466 811
	.106" thk. (AR)	2124 872	2124 872	2124 872	2124 872	2124 872	2124 872
	Rr. Clutch Piston Retainer,	—	—	—	—	—	—
	.060" thk., 1 31/64" O.D.	2466 806	2466 806	2466 806	2466 806	2466 806	2466 806
21-133-31	SPRING, Rr. Clutch Wave,	2124 827	2124 827	2124 827	2124 827	2801 167	—
	7 3/32" O.D.	—	—	—	—	—	2400 725
21-133-36	DISC, Frt. Clutch (4)	2801 992	2801 992	2801 992	2801 992	2801 992	2801 992
	(5)	2124 826	2124 826	2124 826	2124 826	2124 826	—
	Rr. (4)	—	—	—	—	—	2124 826
21-133-38	PLATE, Frt. Clutch (4)	2124 826	2124 826	2124 826	2124 826	2124 826	2124 826
	(5)	2124 826	2124 826	2124 826	2124 826	2124 826	2124 826
	Rr. (3)	2801 961	2801 961	2801 961	2801 961	2801 961	2801 961
21-133-39	PLATE, Frt. Clutch Pressure	2466 803	2466 803	2466 803	2466 803	2466 803	2466 803
	Rr. Clutch Pressure, Frt	2801 961	2801 961	2801 961	2801 961	2801 961	2801 961
	Rr. Clutch Pressure, Rr.	2801 311	2801 311	2801 311	2801 311	2801 311	2801 311
21-133-40	GEAR, w/BUSHING, Sun	2400 662	2400 662	2400 662	2400 662	2400 662	2400 662
21-133-42	SHELL, Sun Gear Driving	—	—	—	—	—	—
21-133-43	SNAP RING, Frt. Clutch Inner,	2124 824	2124 824	2124 824	2124 824	2124 824	—
	3" I.D., .060" thk	—	—	—	—	—	2466 369
	3" I.D.	1942 063	1942 063	1942 063	1942 063	—	1942 063
	Frt. Clutch, 7" O.D., .060" thk.	—	—	—	—	2466 811	2466 811
	.106" thk	—	—	—	—	—	—
21-133-46	RING, Sun Gear Driving Shell	1736 521	1736 521	1736 521	1736 521	1736 521	1736 521
	Lock (2)	—	—	—	—	—	—
21-133-47	PLATE, Sun Gear Driving Shell	1942 080	1942 080	1942 080	1942 080	1942 080	1942 080
	Thrust, w/4 Inside Tangs	—	—	—	—	—	—
21-133-48	WASHER, Sun Gear Driving	1942 081	1942 081	1942 081	1942 081	1942 081	1942 081
	Shell Thrust, w/3 Outside Tabs	—	—	—	—	—	—
21-133-62	SPACER, Rr. Clutch Piston Spring, 6 25/32"	2801 161	2801 161	2801 161	2801 161	2801 161	2801 161
	O.D.	—	—	—	—	—	—
21-133-65	WASHER, Frt. Clutch Thrust, Frt.,	2204 622	2204 622	2204 622	2204 622	2204 622	2204 622
	Green, .061" thk., 3 21/64"	2204 623	2204 623	2204 623	2204 623	2204 623	2204 623
	O.D. (AR)	2400 284	2400 284	2400 284	2400 284	2400 284	2400 284
	Red, .084" thk. (AR)	—	—	—	—	—	—
	Yellow, .102" thk. (AR)	2204 622	2204 622	2204 622	2204 622	2204 622	2204 622
	Frt. Clutch Thrust, Rr.,	—	—	—	—	—	—
	Green, .061" thk. (AR)	—	—	—	—	—	—

TYPE LETTERS Indicates

B - Barracuda

V - Valiant
L - DartR - Belvedere
W - CoronetP - Plymouth
D - DodgeC - Chrysler
Y - Imperial

AR Indicates use as required.

Indicates parts not listed in any previous parts book.

Numerals in parentheses () refer to notes.

★ Indicates change or addition.

Printed in U.S.A.
January 1971

AUTOMATIC TRANSMISSION

NOTE: All quantities are one (1) unless otherwise indicated in parenthesis.

CODE	TRANSMISSION	2892 089 A727	2892 090 A727	2892 091 A727	2892 092 A727	2892 093 A727	2892 094 A727
21-134-0 TRANSMISSION FRONT AND REAR PLANET PINION CARRIER AND COMPONENTS							
21-134-5	CARRIER, w/PINION and WASHERS, Frt.	2801 171	2466 537	2801 171	2801 171	2801 171	2801 171
	Rr.	2466 539	2466 539	2466 539	2466 539	2801 061	2801 061
21-134-8	PINION, Planet Frt. (3)	---	2400 667	---	---	---	---
	(4)	2400 667	---	2400 667	2400 667	2400 667	2400 667
	Rr. (3)	2400 667	2400 667	2400 667	2400 667	---	---
	(4)	---	---	---	---	2400 667	2400 667
21-134-9	SHAFT, Frt. (3)	---	2464 178	---	---	---	---
	(4)	2464 178	---	2464 178	2464 178	2464 178	2464 178
	Rr. (3)	2464 178	2464 178	2464 178	2464 178	---	---
	(4)	---	---	---	---	2464 178	2464 178
	PIN (AR)	6024 666	6024 666	6024 666	6024 666	6024 666	6024 666
21-134-10	WASHER, Frt., w/2 Oil Grooves (6)	---	2801 315	---	---	---	---
	(8)	2801 315	---	2801 315	2801 315	2801 315	2801 315
	Rr. (6)	2801 315	2801 315	2801 315	2801 315	---	---
	(8)	---	---	---	---	2801 315	2801 315
21-134-11	ROLLER, Frt. (69)	---	2204 647	---	---	---	---
	(92)	2204 647	---	2204 647	2204 647	2204 647	2204 647
	Rr. (69)	2204 647	2204 647	2204 647	2204 647	---	---
	(92)	---	---	---	---	2204 647	2204 647
21-134-12	RING, Planet Pinion Roller Thrust, Frt., 49/64" O.D. (6)	---	2204 649	---	---	---	---
	(8)	2204 649	---	2204 649	2204 649	2204 649	2204 649
	Rr. (6)	2204 649	2204 649	2204 649	2204 649	---	---
	(8)	---	---	---	---	2204 649	2204 649
21-134-30	WASHER, Frt. Carrier Thrust, w/3 Outside Tabs	---	1942 081	---	---	---	---
	w/4 Outside Tabs, 4 Oil Grooves	2801 060	---	2801 060	2801 060	2801 060	2801 060
	Rr	1942 081	1942 081	1942 081	1942 081	---	---
		---	---	---	---	2801 060	2801 060
21-134-38	GEAR, Frt. Annulus	2892 656	2892 656	2892 656	2892 656	2892 656	2892 656
	Rr.	2538 185	2538 185	2538 185	2538 185	2538 185	2538 185
21-134-45	PLATE, Rr. Annulus Gear Thrust, w/31 Inside Teeth, 3 23/64" O.D.	2400 580	2400 580	2400 580	2400 580	2400 580	2400 580
21-136-0 TRANSMISSION BANDS							
21-136-5	BAND, Kickdown	2124 342	2124 342	2124 342	2124 342	2124 342	2538 461
21-136-15	STRUT, Kickdown Band	2124 848	2124 848	2124 848	2124 848	2124 848	2124 848
	ANCHOR, Kickdown Band	1942 120	1942 120	1942 120	1942 120	1942 120	1942 120
21-136-17	SCREW, Kickdown Band Adjusting Nut, Lock 1/2"-20	2400 389	2400 389	2400 389	2400 389	2400 389	2400 389
		124 934	124 934	124 934	124 934	124 934	124 934
21-136-20	LEVER, Kickdown Band	2125 067	2125 067	2125 067	2125 067	2125 067	2801 217
21-136-23	SHAFT, Kickdown Band Lever	1942 132	1942 132	1942 132	1942 132	1942 132	1942 132
21-136-30	BAND, Reverse	1942 133	1942 133	1942 133	1942 133	1942 133	1942 133
21-136-41	STRUT, Reverse Band	2204 823	2204 823	2204 823	2204 823	2204 823	2204 823
21-136-44	LINK, w/ANCHOR, Reverse Band	2204 820	2204 820	2204 820	2204 820	2204 820	2204 820
21-136-47	LEVER, w/STEM, Reverse Band	1942 137	1942 137	1942 137	1942 137	1942 137	1942 137
	Reverse Band, Short, Tapered Hub	2892 233	2892 233	2892 233	2892 233	2892 233	2892 233
	Reverse Band, Short	2124 493	2124 493	2124 493	2124 493	2124 493	2124 493
21-136-49	SHAFT, Reverse Band Lever	2124 857	2124 857	2124 857	2124 857	2124 857	2124 857
21-136-52	SCREW, Reverse Band Adjusting	1942 141	1942 141	1942 141	1942 141	1942 141	1942 141
21-136-55	SEAL, Reverse Band Lever Shaft	1672 358	1672 358	1672 358	1672 358	1672 358	1672 358
TYPE LETTERS Indicates							
B - Barracuda		V - Valiant L - Dart		R - Belvedere W - Coronet		P - Plymouth D - Dodge	
						C - Chrysler Y - Imperial	
AR Indicates use as required.		Numerals in parentheses () refer to notes.				Printed in U.S.A.	
# Indicates parts not listed in any previous parts book.		★ Indicates change or addition.				January 1971	

AUTOMATIC TRANSMISSION

NOTE: All quantities are one (1) unless otherwise indicated in parenthesis.

CODE	TRANSMISSION	2892 089 A727	2892 090 A727	2892 091 A727	2892 092 A727	2892 093 A727	2892 094 A727
21-136-0 TRANSMISSION BANDS Cont'd.							
21-136-65	DRUM, Reverse	2464 384	2464 384	2464 384	2464 384	2464 384	2464 384
21-136-231	CAM, "O" Running Clutch	1942 095	1942 095	1942 095	1942 095	1942 095	1942 095
	SCREW, Set	139 324	139 324	139 324	139 324	139 324	139 324
21-136-232	RACE, "O" Running Clutch	2808 669	2808 669	2808 669	2808 669	2808 669	2808 669
21-136-233	RETAINER, "O" Running Clutch Spring	2801 426	2801 426	2801 426	2801 426	2801 426	2801 426
21-136-235	ROLLER, "O" Running Clutch (12)	670 776	670 776	670 776	670 776	670 776	670 776
	ROLLER and SPRING PACKAGE, "O" Running Clutch	2808 673	2808 673	2808 673	2808 673	2808 673	2808 673
21-136-236	SPRING, "O" Running Clutch Roller (12)	1942 187	1942 187	1942 187	1942 187	1942 187	1942 187
21-137-0 TRANSMISSION SERVOS							
21-137-5	PISTON, Kickdown Servo	2124 850	2124 850	2124 850	2124 850	2124 850	2124 850
21-137-8	RING, Kickdown Servo Piston Seal, Small	2124 851	2124 851	2124 851	2124 851	2124 851	2124 851
	LARGE	1942 123	1942 123	1942 123	1942 123	1942 123	---
	Kickdown Servo Guide Seal	1942 123	1942 123	1942 123	1942 123	1942 123	1942 123
21-137-11	ROD, Kickdown Servo Piston	2124 853	2124 853	2124 853	2124 853	2124 853	2124 853
21-137-13	GUIDE, Kickdown Servo	2124 856	2124 856	2124 856	2124 856	2124 856	2124 856
21-137-19	SNAP RING, Kickdown Servo	1942 130	1942 130	1942 130	1942 130	1942 130	1942 130
21-137-22	SPRING, Kickdown Servo Piston Inner	2124 852	2124 852	2124 852	2124 852	2124 852	2400 729
	Outer	---	2125 069	---	---	---	---
21-137-35	PISTON, Reverse Servo	2801 281	2801 281	2801 281	2801 281	2801 281	2801 281
21-137-41	SPRING, Reverse Servo Cushion	2801 273	2801 273	2801 273	2801 273	2801 273	2801 273
21-137-47	PLUG, Reverse Servo Piston RING	2801 272	2801 272	2801 272	2801 272	2801 272	2801 272
		6027 153	6027 153	6027 153	6027 153	6027 153	6027 153
21-137-50	SEAL, Reverse Servo Piston, Rubber	2464 481	2464 481	2464 481	2464 481	2464 481	2464 481
21-137-53	SPRING, Reverse Servo Piston	2801 241	2801 241	2801 241	2801 241	2801 241	2801 241
21-137-56	RETAINER, Reverse Servo Piston Spring	1942 150	1942 150	1942 150	1942 150	1942 150	1942 150
21-137-59	SNAP RING, Reverse Servo Piston Spring Retainer	1942 130	1942 130	1942 130	1942 130	1942 130	1942 130
21-137-200	PISTON, Accumulator	1942 153	1942 153	1942 153	1942 153	1942 153	1942 153
21-137-202	RING, Accumulator Piston Seal, Small	1941 831	1941 831	1941 831	1941 831	1941 831	1941 831
	Large	2124 255	2124 255	2124 255	2124 255	2124 255	2124 255
21-137-205	SPRING, Accumulator Piston	2464 076	2538 264	2464 076	2464 076	2464 076	---
21-138-0 TRANSMISSION GOVERNOR							
21-138-2	REPAIR PACKAGE, Governor	3004 545	2585 589	2298 514	2585 589	2298 514	2808 362
21-138-7	SNAP RING, Governor Body	6022 817	6022 817	6022 817	6022 817	6022 817	6022 817
21-138-10	SUPPORT, Governor	2538 634	2538 634	2538 634	2538 634	2538 634	2538 634
21-138-13	WEIGHT, Governor, Outer	1636 461	1636 461	1636 461	1636 461	1636 461	1823 726
	Inner	1636 462	1636 462	1636 462	1636 462	1636 462	2801 257
21-138-15	SPRING, Governor Weight 6 Coils	2892 248	2124 662	1949 859	2124 662	1949 859	1949 859
		---	2892 979	---	2892 979	---	---
21-138-19	SNAP RING, Governor Weight, Outer	1635 465	1636 465	1636 465	1636 465	1636 465	1636 465
	Inner	1636 464	1636 464	1636 464	1636 464	1636 464	1636 464
21-138-21	LOCK, Governor Body Bolt (2)	2125 024	2125 024	2125 024	2125 024	2125 024	2125 024
21-138-23	VALVE, Governor	2124 663	2124 663	2124 663	2124 663	2124 663	2124 663
21-138-26	SHAFT, Governor Valve	1556 082	1556 082	1556 082	1556 082	1556 082	1556 082

TYPE LETTERS Indicates

B - Barracuda

V - Valiant
L - DartR - Belvedere
W - CoronetP - Plymouth
D - DodgeC - Chrysler
Y - Imperial

AR Indicates use as required.

Indicates parts not listed in any previous parts book.

Numerals in parentheses () refer to notes.

★ Indicates change or addition.

Printed in U.S.A.

January 1971

AUTOMATIC TRANSMISSION

NOTE: All quantities are one (1) unless otherwise indicated in parenthesis.

CODE	TRANSMISSION	2892 089 A727	2892 090 A727	2892 091 A727	2892 092 A727	2892 093 A727	2892 094 A727
21-138-0 TRANSMISSION GOVERNOR Cont'd.							
21-138-29	SNAP RING, Governor Valve Shaft (2)	1638 461	1638 461	1638 461	1638 461	1638 461	1638 461
21-138-38	RING, Governor Support Seal, Frt. and Rr. (2)	1942 109	1942 109	1942 109	1942 109	1942 109	1942 109
21-139-0 TRANSMISSION VALVE BODY AND VALVES							
21-139-4	BODY, w/Transfer Plate	2892 357	2892 357	2892 357	2892 355	2892 355	2892 355
	BALL, Check Valve, Small	104 918	104 918	104 918	104 918	104 918	104 918
	Large	147 488	147 488	147 488	147 488	147 488	147 488
21-139-9	VALVE, Manual	2801 259	2801 259	2801 259	2801 259	2801 259	2801 259
21-129-12	LEVER, w/INSULATOR, Manual Valve	2801 783	2801 783	2801 783	2801 783	2801 783	2801 783
21-139-16	SEAL, Manual Valve Shaft, 1 1/4" O.D.	2466 842	2466 842	2466 842	2466 842	2466 842	2466 842
21-139-24	SPRING, Manual Valve Lever Detent	2466 615	2466 615	2466 615	2466 615	2466 615	2466 615
21-139-24	Ball, Detent 11/32"	147 488	147 488	147 488	147 488	147 488	---
21-139-30	VALVE, Throttle	2892 349	2892 349	2892 349	2892 349	2892 349	2892 349
21-139-33	SPRING, Throttle Valve	2892 350	2892 350	2892 350	2892 350	2892 350	2892 350
21-139-34	PIN, Manual Valve Lever Spring	2466 756	2466 756	2466 756	2466 756	2466 756	2466 756
21-139-46	WASHER, Throttle Valve Lever Shaft	2538 062	2538 062	2538 062	2538 062	2538 062	2538 062
21-139-47	SEAL, Throttle Lever Shaft, 11/16" O.D.	2466 548	2466 548	2466 548	2466 548	2466 548	2466 548
21-139-49	E-RING, Throttle Valve Lever Shaft	6025 857	6025 857	6025 857	6025 857	6025 857	6025 857
21-139-50	LEVER, Throttle Valve	2466 854	2466 854	2466 854	2466 854	2466 854	2466 854
21-139-63	PLUG, Regulator Valve Throttle Pressure	1942 245	1942 245	1942 245	1942 245	1942 245	1942 245
	Regulator Valve Line Pressure	1942 218	1942 218	1942 218	1942 218	1942 218	1942 218
	Throttle Pressure	---	---	---	1942 245	---	---
21-139-64	SLEEVE, Regulator Valve Line Pressure Plug	1942 213	1942 213	1942 213	1942 213	1942 213	1942 213
21-139-67	VALVE PACKAGE, Regulator	2240 685	2240 685	2240 685	2240 685	2240 685	2240 685
21-139-68	SPRING, Regulator Valve Pressure Relief	2124 734	2124 734	2124 734	2124 734	2124 734	2124 734
	BALL, Pressure Relief 3/8"	2892 846	2892 846	2892 846	2892 846	2892 846	2892 846
	3/16"	104 920	104 920	104 920	104 920	104 920	104 920
		147 500	147 500	147 500	147 500	147 500	147 500
21-139-71	RETAINER, Regulator Valve Spring	2204 975	2204 975	2204 975	2204 975	2204 975	2204 975
21-139-74	SCREW, Line Pressure Adjusting Throttle Pressure Adjusting	2124 736	2124 736	2124 736	2124 736	2124 736	2124 736
		6023 343	6023 343	6023 343	6023 343	6023 343	6023 343
21-139-76	NUT, Throttle Pressure Adjusting Screw Lock	2892 353	2892 353	2892 353	2892 353	2892 353	2892 353
	Line Pressure Adjusting Screw	2124 737	2124 737	2124 737	2124 737	2124 737	2124 737
21-139-78	VALVE, Kickdown	2892 351	2892 351	2892 351	2892 351	2892 351	2892 351
	PLUG, Kickdown Detent	2892 352	2892 352	2892 352	2892 352	2892 352	2892 352
21-139-95	VALVE, Shuttle	1854 275	1854 275	1854 275	1854 275	1854 275	1854 275
	PLUG, Shuttle Valve	1854 274	1854 274	1854 274	1854 274	1854 274	1854 274
21-139-98	SNAP RING, Shuttle Valve	6025 857	6025 857	6025 857	6025 857	6025 857	6025 857
21-139-101	SPRING, Shuttle Valve, 16 Coils	2124 697	2124 697	2124 697	2124 697	2124 697	2124 697
21-139-105	VALVE, 1-2 Shift	1941 602	1941 602	1941 602	1941 602	1941 602	1941 602
	PLUG, 1-2 Shift	1941 603	1941 603	1941 603	1941 603	1941 603	1941 603
	VALVE, 2-3 Shift	1941 600	1941 600	1941 600	1941 600	1941 600	1941 600
	PLUG, 2-3 Shift	1941 601	1941 601	1941 601	1941 601	1941 601	1941 601
21-139-108	SPRING, 1-2 Shift Valve 2-3 Shift Valve	2204 547	2204 547	2204 547	2204 547	2204 547	2204 547
		1942 231	1942 231	1942 231	1942 231	1942 231	1942 231

TYPE LETTERS Indicates

B - Barracuda

V - Valiant
L - DartR - Belvedere
W - CoronetP - Plymouth
D - DodgeC - Chrysler
Y - Imperial

AR Indicates use as required.

Indicates parts not listed in any previous parts book.

Numerals in parentheses () refer to notes.

★ Indicates change or addition.

Printed in U.S.A.

January 1971

AUTOMATIC TRANSMISSION

NOTE: All quantities are one (1) unless otherwise indicated in parenthesis.

CODE	TRANSMISSION	2892 089 A727	2892 090 A727	2892 091 A727	2892 092 A727	2892 093 A727	2892 094 A727
21-139-0 TRANSMISSION VALVE BODY AND VALVES Cont'd.							
21-139-117	VALVE, Torg. Conv. Control	2124 256	2124 256	2124 256	2124 256	2124 256	2124 256
21-139-118	SPRING, Torque Conv. Control Valve	2124 257	2124 257	2124 257	2124 257	2124 257	2124 257
21-139-135	COVER, Reg. Valve	2205 034	2215 034	2205 034	2205 034	2205 034	2205 034
	Shift Valve Plug	2538 662	2538 662	2538 662	2538 662	2538 662	2538 662
	Shuttle Valve	1942 227	1942 227	1942 227	1942 227	1942 227	1942 227
	Shift Valve	2801 244	2801 244	2801 244	2801 244	2801 244	2801 244
-139-140	PLATE, Valve Body	2538 043	2538 043	2538 043	2538 043	2538 043	2538 043
21-139-147	PLATE, Transfer SCREW, w/Washer Plate to Valve Body (14)	2801 295	2801 295	2801 295	2466 886	2466 886	2466 886
21-139-154	SUPPORT, Transfer Plate	6027 391	6027 391	6027 391	6027 391	6027 391	6027 391
		1942 237	1942 237	1942 237	1942 237	1942 237	1942 237

NOTES

TYPE LETTERS Indicates

B - Barracuda

V - Valiant
L - DartR - Belvedere
W - CoronetP - Plymouth
D - DodgeC - Chrysler
Y - Imperial

AR Indicates use as required.

Indicates parts not listed in any previous parts book.

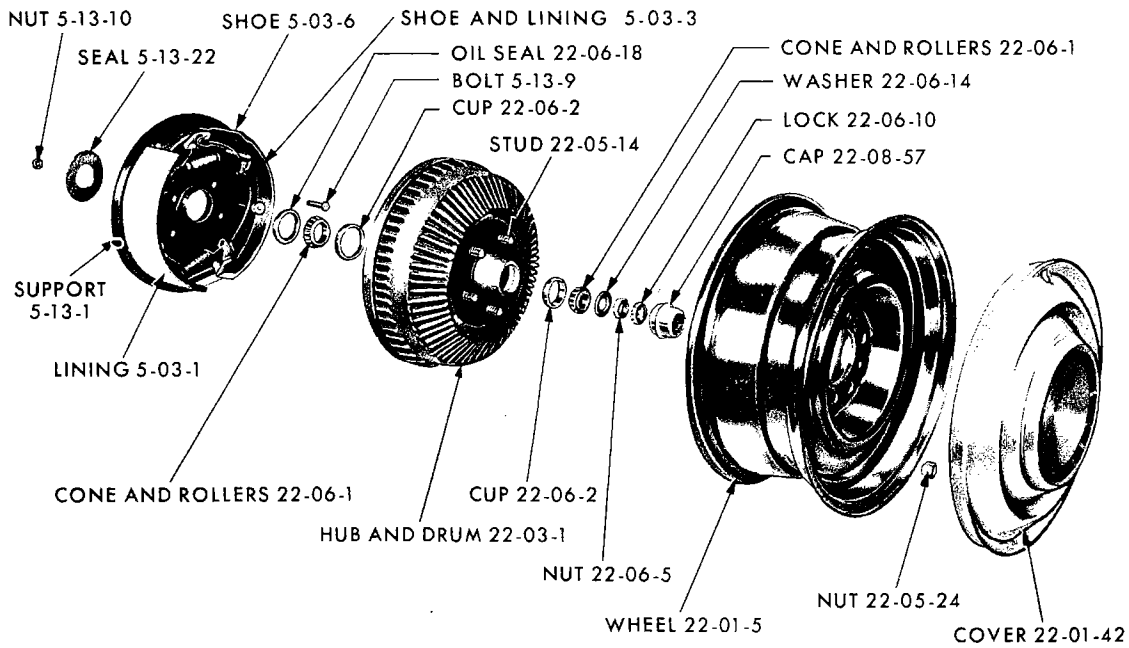
Numerals in parentheses () refer to notes.

★ Indicates change or addition.

Printed in U.S.A.
January 1971

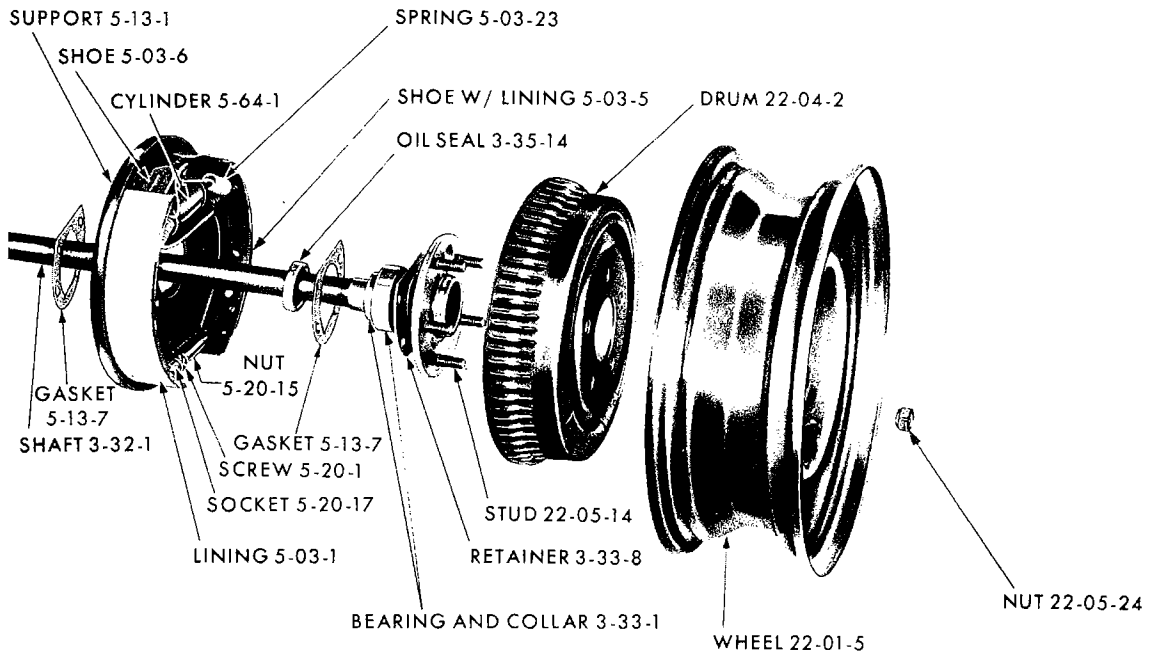
NOTES

GROUP 22 - WHEELS



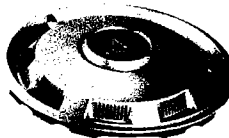

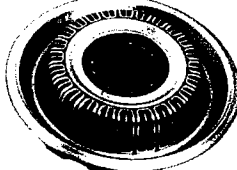

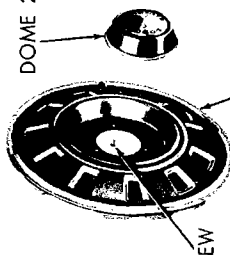
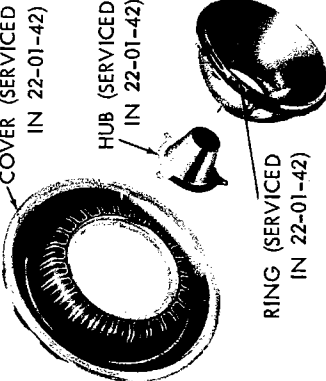
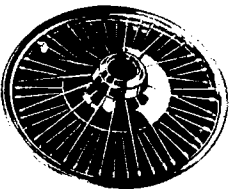
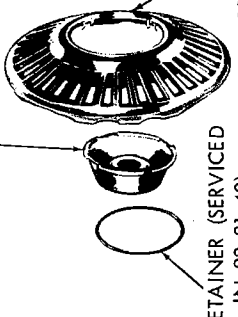
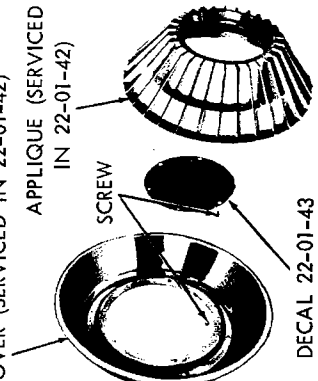

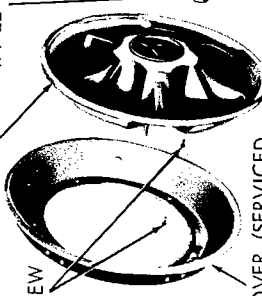
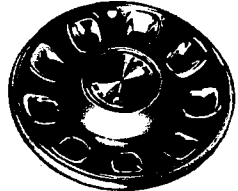
19x9691B

FRONT WHEEL



19x8787E

REAR WHEEL

 <p>COVER 22-01-42 2881 796 13" DART</p>	 <p>APPLIQUE 22-01-43 SCREW COVER 22-01-42 2881 779 CORONET AND DODGE</p>	 <p>COVER 22-01-42 2881 750 15" PLYMOUTH 19a.2605</p>
 <p>COVER 22-01-42 2823 010 VALIANT, BARRACUDA, BELVEDERE</p>	 <p>SCREW DOME 22-01-51 COVER 22-01-42 2881 764 DART AND CORONET</p>	 <p>COVER (SERVICED IN 22-01-42) HUB (SERVICED IN 22-01-42) RING (SERVICED IN 22-01-42) 2881 775 PLYMOUTH</p>
 <p>COVER 22-01-42 2881 787 VALIANT AND BARRACUDA</p>	 <p>COVER 22-01-42 2881 753 PLYMOUTH, DODGE, CHRYSLER WITHOUT DISC BRAKES (15" WHEEL) RETAINER (SERVICED IN 22-01-42) MEDALLION (SERVICED IN 22-01-42)</p>	 <p>COVER (SERVICED IN 22-01-42) APPLIQUE (SERVICED IN 22-01-42) SCREW DECAL 22-01-43 2944 165 PLYMOUTH</p>
 <p>COVER 22-01-42 2881 752 VALIANT</p>	 <p>COVER (SERVICED IN 22-01-42) SCREW NUT (SERVICED IN 22-01-42) 2881 769 DART, CORONET AND DODGE "MAG"</p>	 <p>COVER 22-01-42 2881 758 PLYMOUTH</p>

WHEEL COVERS

<p>COVER (SERVICED IN 22-01-42) RING (SERVICED IN 22-01-42) SCREW</p>	<p>COVER 22-01-42 APPLIQUE 22-01-43</p>	<p>APPLIQUE (SERVICED IN 22-01-42) RING (SERVICED IN 22-01-42) SCREW</p>	<p>COVER 22-01-42 SPRING 22-01-58 RING 22-01-43 COVER 22-01-42 RETAINER MEDALLION 22-01-43 SPACER (SERVICED IN 22-01-42)</p>	<p>COVER 22-01-42</p>	<p>COVER 22-01-42 RING 22-01-41 RING 22-01-42</p>	<p>RING (SERVICED IN 22-01-42) APPLIQUE (SERVICED IN 22-01-42) SCREW</p>	<p>2881 770 CHRYSLER (STATION WAGON) AND NEW YORKER 2944 080 15" DODGE 2881 759 15" CHRYSLER</p>	<p>SPRING 22-01-58 DOME 22-01-51 SCREW COVER (SERVICED IN 22-01-42)</p>	<p>2881 824 CHRYSLER 300 2944 092 DART, CORONET AND CHARGER</p>	<p>NO PART NO. - ORDER BY COLOR IMPERIAL 19a2606B</p>
---	---	--	--	-----------------------	---	--	--	---	---	---

WHEEL COVERS

22-01-0 WHEELS

TIRE CHART

Wheel Size
 13 x 4 50
 14 x 4 50
 14 x 5 00

 14 x 5 50

 14 x 6 00

 14 x 6 50
 15 x 5 50
 15 x 6 00

Tire Size
 6 50 x 13 - 7 00 x 13
 6 95 x 14
 6 50 x 14 - 7 00 x 14 - 7 35 x 14 -
 7 50 x 14 - 7 75 x 14
 6 95 x 14 - 7 00 x 14 - 7 50 x 14 -
 7 75 x 14 - 8 00 x 14 - 8 25 x 14
 8 00 x 14 - 8 25 x 14 - 8 50 x 14 -
 8 55 x 14
 8 85 x 14 - 9 00 x 14
 6 70 x 15
 7 30 x 15 - 7 60 x 15 - 8 00 x 15 -
 8 20 x 15 - 8 45 x 15 - 8 85 x 15 -
 9 15 x 15

NOTES

TYPE LETTERS Indicates

B - Barracuda

V - Valiant
 L - Dart

R - Belvedere
 W - Coronet

P - Plymouth
 D - Dodge

C - Chrysler
 Y - Imperial

AR Indicates use as required.

= Indicates parts not listed in any previous parts book.

Numerals in parentheses () refer to notes.

★ Indicates change or addition.

Printed in U.S.A.
 January 1971

1969 PASSENGER CAR PARTS CATALOG

WHEELS

CODE	PART NAME	ENG. TYPE OR CU.IN.	V	B	L	R	W	P	D	C	C	C	Y	PART NUMBER
			1-2	1-2	1-2	1-2	1-2	1-2	1-2	1	2	3	1	
22-01-0 WHEELS Cont'd.														
22-01-5	WHEELS													
	14 x 4 50		5	5	5	—	—	—	—	—	—	—	—	2660 308
	13 x 4 50		5	—	5	—	—	—	—	—	—	—	—	3004 876
	14 x 5 50		5	5	5	—	—	—	—	—	—	—	—	2660 312
	14 x 5 00, except Sta Wgn		—	—	—	5	5	—	—	—	—	—	—	3004 756
	14 x 5 00, except Sta Wgn (Budd Wheel)		—	—	—	5	5	—	—	—	—	—	—	2881 820
	14 x 5 50, Deep Dish (Budd Wheel)		—	—	—	5	5	—	—	—	—	—	—	3004 892
	14 x 5 50, Deep Dish (Motor Wheel)		—	—	—	5	5	—	—	—	—	—	—	2534 702
	14 x 5 50, Chrome		—	—	—	4	4	—	—	—	—	—	—	2944 162
	14 x 5 50, Sta Wgn		—	—	—	5	5	—	—	—	—	—	—	3004 892
	15 x 5 00, except Sta Wgn		—	—	—	—	—	5	—	—	—	—	—	3004 988
	15 x 5 50, except Sta Wgn (Motor Wheel)		—	—	—	—	—	5	5	5	5	—	—	3004 989
	15 x 6 00		—	—	—	5	5	—	—	—	—	—	—	2944 169
	15 x 6 00 H-Duty		—	—	—	—	—	5	5	—	—	—	—	2944 169
	15 x 600 Extra H-Duty 4-D C-E, C-H, and Sta Wgn		—	—	—	—	—	—	—	5	—	5	—	# 2944 323
	16 x 6 00,		—	—	—	—	—	5	5	5	5	5	—	3004 987
	15 x 6,00, except Sta Wgn		—	—	—	—	—	—	—	5	5	5	—	3004 987
	15 x 6 50, Sta Wgn		—	—	—	—	—	5	5	5	—	—	—	2944 155
	15 x 6 00		—	—	—	—	—	—	—	—	—	—	5	2534 842
22-01-41	RING, w/14" Wheel		—	—	—	4	4	—	—	—	—	—	—	2944 161
22-01-42	COVER, Wheel, w/13" Wheel, w/Plymouth Division Letters		4	—	—	—	—	—	—	—	—	—	—	2881 752
	w/13" Wheel, w/Dodge Emblem		—	—	4	—	—	—	—	—	—	—	—	2881 796
	w/14" Wheel, w/Decal, Plymouth Division		4	4	—	—	—	—	—	—	—	—	—	2944 165
	w/14" Wheel, Simulated Wire Wheel		4	4	—	—	—	—	—	—	—	—	—	2881 787
	w/14" Wheel, w/o Dome		4	4	—	4	—	—	—	—	—	—	—	2823 010
	w/14" Wheel, w/Dome		4	4	—	—	—	—	—	—	—	—	—	2823 014
	w/14" Wheel, w/Dome		—	—	—	—	4	—	—	—	—	—	—	2823 004
	w/14" Wheel, w/Plymouth Division Letters		—	—	—	4	—	—	—	—	—	—	—	2881 758
	w/14" Wheel, w/Dome, Dodge Division		—	—	4	—	4	—	—	—	—	—	—	2881 764
	w/14" Wheel, w/Dome		—	—	—	4	—	—	—	—	—	—	—	2881 773
	w/14" Wheel, w/Applique		—	—	—	—	4	—	—	—	—	—	—	2881 779
	w/14" Wheel, w/Emblem		—	—	4	—	4	—	—	—	—	—	—	2944 092
	w/15" Wheel,		—	—	—	4	4	—	—	—	—	—	—	2881 753
	w/Plymouth Division, Class I (w/24 Embossments)		—	—	—	—	—	4	—	—	—	—	—	2881 750
	w/Plymouth Division, Class II, (w/HUB)		—	—	—	—	—	4	—	—	—	—	—	2881 775
	w/Plymouth Division, Class III, (w/5 Embossments)		—	—	—	—	—	4	—	—	—	—	—	2944 398
	w/Dodge Letters		—	—	—	—	—	—	4	—	—	—	—	2944 080
	w/Dodge Emblem		—	—	—	—	—	—	4	—	—	—	—	2881 782
	w/26 Depressions		—	—	—	—	—	—	—	4	—	—	—	2881 774
	w/300 Emblem		—	—	—	—	—	—	—	—	4	—	—	2881 824
	w/Ribs, Sta Wgn and C-H		—	—	—	—	—	—	—	4	4	4	—	2881 770
	w/Applique Walnut		—	—	—	—	—	—	—	4	4	4	—	2881 759
	Tan		—	—	—	—	—	—	—	—	—	—	4	2944 117
	Blue		—	—	—	—	—	—	—	—	—	—	4	2944 118
	Green		—	—	—	—	—	—	—	—	—	—	4	2944 119
	White		—	—	—	—	—	—	—	—	—	—	4	2944 120
	Black		—	—	—	—	—	—	—	—	—	—	4	2944 121
			—	—	—	—	—	—	—	—	—	—	4	2944 122

TYPE LETTERS Indicates B - Barracuda V - Valiant R - Belvedere P - Plymouth C - Chrysler
 L - Dart W - Coronet D - Dodge Y - Imperial

AR Indicates use as required. Numerals in parentheses () refer to notes. Printed in U.S.A.
 = Indicates parts not listed in any previous parts book. ★ Indicates change or addition. January 1971

CODE	PART NAME	ENG. TYPE OR CU.IN.	V	B	L	R	W	P	D	C	C	C	Y	PART NUMBER
			1-2	1-2	1-2	1-2	1-2	1-2	1-2	1	2	3	1	
22-01-0 WHEELS Cont'd.														
22-01-43	DECAL, Cover Applique, Plymouth Division		4	4	—	4	—	—	—	—	—	—	—	2881 785
	APPLIQUE, Cover, w/Dodge Emblem		—	—	—	—	4	—	—	—	—	—	—	2881 777
	APPLIQUE, Cover, w/Dodge Emblem		—	—	—	—	—	—	4	—	—	—	—	2881 751
	MEDALLION, Cover, Eagle		—	—	—	—	—	—	—	—	—	—	4	2534 220
	RING, Inner, w/Imperial Letters		—	—	—	—	—	—	—	—	—	—	4	2534 219
	RING, Outer, Spoked		—	—	—	—	—	—	—	—	—	—	4	2823 048
22-01-46	EXTENSION PACKAGE, Valve Stem, 1/2" lgh		1	1	1	1	1	1	1	1	1	1	—	2660 315
	3/4" lgh		—	—	—	1	1	1	1	1	1	1	—	2401 840
	1 1/4" lgh		—	—	—	—	—	—	—	—	—	—	1	2401 841
22-01-49	RETAINER, Dome		—	—	—	4	4	—	—	—	—	—	—	2823 845
	RETAINER, Cover Medallion		—	—	—	—	—	—	—	—	—	—	4	2534 223
22-01-51	DOME, Cover (Dodge Division)		—	—	4	—	4	—	—	—	—	—	—	2881 762
	DOME, Cover, use w/Chrome Wheel		—	—	—	4	4	—	—	—	—	—	—	2823 842
22-01-58	SPRING, Cover Inner Ring Retention		—	—	—	—	—	—	—	—	—	—	12	2409 840

22-03-0 FRONT HUB AND BRAKE DRUM

NOTE: EXAMPLE - Brake Size - 9" x 2 1/2" First Number (9") refers to Diameter of Drum Second Number (2 1/2") refers to Width of Brake Lining

22-03-1	HUB and BRAKE DRUM, 9" x 2 1/2"													
	Brakes, Steel Encased	6	1	1	1	—	—	—	—	—	—	—	—	2267 080-1
	9" x 2 1/2" Brakes, Cast Iron, w/Steel Back	6	1	1	1	—	—	—	—	—	—	—	—	3004 728-9
	10" x 2 1/4"		1	1	1	—	—	—	—	—	—	—	—	3004 730-1
	10" x 2 1/2" Brakes, Budd Housing Stamped "CB51"		—	—	—	1	1	—	—	—	—	—	—	3004 732-3
	10" x 2 1/2" Brakes, Motor Wheel Housing, Stamped "MW"		—	—	—	1	1	—	—	—	—	—	—	3004 732-3
	11" x 3" Brakes, Motor Wheel Housing, Stamped "L-35919"		—	—	—	1	1	—	—	—	—	—	—	2781 564-5
	11" x 2 3/4" Brakes, P-All, D,C, Exc Sta Wgn, w/o Cooling Fins		—	—	—	—	—	1	1	1	1	1	—	3004 734-5
	11" x 2 3/4" Brakes Kelsey Hayes Housing, Stamped "K-H" P-all, D, C, except Sta Wgn		—	—	—	—	—	—	—	—	—	—	—	
	Rt w/Cooling Fin		—	—	—	—	—	1	1	1	1	1	—	3004 974
	Lt w/Cooling Fin		—	—	—	—	—	1	1	1	1	1	—	3004 973
	11" x 3" Brakes, P, D, Police and Taxi, Motor Wheel Housing, Stamped "MW"		—	—	—	—	—	1	1	1	1	1	—	2781 576-7
	11" x 3" Brakes, Heavy Duty, Motor Wheel Housing, Stamped "MW"		—	—	—	—	—	1	1	1	1	1	—	2781 576-7
	11" x 3" Brakes, Motor Wheel Housing Stamped "MW" w/440 Eng (Heavy Duty)		—	—	—	—	—	1	1	1	1	1	—	2944 822-3
	11" x 3" Brakes, Motor Wheel Housing, Stamped "MW", w/440 Eng		—	—	—	—	—	1	1	1	1	1	—	3004 736-7

DISC BRAKES

HUB, w/Brake DISC		1	1	1	—	—	—	—	—	—	—	—	—	2660 296-7
		—	—	—	1	1	—	—	—	—	—	—	—	2823 284-5
		—	—	—	—	—	1	1	1	1	1	—	—	2925 174-5
		—	—	—	—	—	—	—	—	—	—	—	1	2534 896-7

TYPE LETTERS Indicates

B - Barracuda

V - Valiant
L - Dart

R - Belvedere
W - Coronet

P - Plymouth
D - Dodge

C - Chrysler
Y - Imperial

AR Indicates use as required.

= Indicates parts not listed in any previous parts book.

Numerals in parentheses () refer to notes.

★ Indicates change or addition.

Printed in U.S.A.
January 1971

1969 PASSENGER CAR PARTS CATALOG

WHEELS

CODE	PART NAME	ENG. TYPE OR CU.IN.	V	B	L	R	W	P	D	C	C	C	Y	PART NUMBER
			1-2	1-2	1-2	1-2	1-2	1-2	1-2	1	2	3	1	
22-04-0 REAR BRAKE DRUM														
22-04-2	DRUM, 9" Brakes, w/Budd Housing, Stamped "B"	6	2	2	2	—	—	—	—	—	—	—	—	2260 538
	9" Brakes, w/Motor Wheel Housing, Stamped "MW"	6	2	2	2	—	—	—	—	—	—	—	—	3004 742
	10" Brakes, Motor Wheel Housing, Stamped "MW"		2	2	2	—	—	—	—	—	—	—	—	2534 757
	10" x 1 3/4" Brakes, except Sta Wgn	6	—	—	—	2	2	—	—	—	—	—	—	3004 744
	10" Brakes, except Sta Wgn, Motor Wheel Housing, Stamped "MW"	6	—	—	—	2	2	—	—	—	—	—	—	3004 744
	10" x 2 1/2" Brakes, w/8 3/4" Axle, Heavy Duty		—	—	—	2	2	—	—	—	—	—	—	2460 637
	10" x 2 1/2" Brakes w/o Fins		—	—	—	2	2	—	—	—	—	—	—	3004 745
	10" x 1 3/4" Brakes, except Sta Wgn, Motor Wheel Housing, Stamped "MW"		—	—	—	2	2	—	—	—	—	—	—	3004 744
	11" x 2 1/2" Brakes, Motor Wheel Housing, Stamped "MW" w/o Cooling Fin		—	—	—	2	2	—	—	—	—	—	—	2405 798
	11" x 2" Brakes, except Sta Wgn		—	—	—	—	—	2	2	—	—	—	—	3004 932
	11" x 2 1/2" Brakes w/Cooling Fin		—	—	—	2	2	2	2	2	2	2	—	3004 933
	11" x 2 1/2" Brakes, Motor Wheel Housing, Stamped "MW"		—	—	—	—	—	2	2	2	2	2	—	2533 824
	11" x 3" Brakes		—	—	—	—	—	2	2	2	2	2	—	2405 758
	11" x 3" Brakes		—	—	—	—	—	—	—	—	—	—	2	2534 905
22-04-11	SPRING, Wheel Brake Drum Dampener, w/9" Brakes	AR	AR	AR	—	—	—	—	—	—	—	—	—	2266 298
	w/10" Brakes	AR	AR	AR	AR	AR	—	—	—	—	—	—	—	1142 316
	31 3/8" lgh	—	—	—	AR	AR	AR	AR	AR	AR	AR	AR	AR	1142 259
	32 21/32" lgh	—	—	—	AR	AR	AR	AR	AR	AR	AR	AR	AR	2266 877
22-04-14	RETAINER, Rear Brake Drum to Axle Shaft	6	6	6	—	—	—	—	—	—	—	—	—	6026 647
		—	—	—	6	6	6	6	6	6	6	6	6	6026 430

22-05-0 WHEEL DRIVING STUD AND NUT

22-05-14	STUD, Front Wheel, w/9" Brakes, Cast Iron, w/Steel Back Drum	5	5	5	—	—	—	—	—	—	—	—	—	2409 808-9
	w/9" Brakes, w/Steel Encased Drum	5	5	5	—	—	—	—	—	—	—	—	—	2072 750
	w/10" Brakes, w/Trailer Tow	5	5	5	—	—	—	—	—	—	—	—	—	2534 754-5
	w/10" x 2 1/2" Brakes, w/Motor Wheel Drum	—	—	—	5	5	—	—	—	—	—	—	—	2405 144-5
	w/10" x 2 1/2" Brakes, w/Budd Drum	—	—	—	5	5	5	5	5	5	5	—	—	2460 614-5
	2/11" x 2 3/4" Brakes, w/Kelsey- Hayes Drum	—	—	—	—	—	5	5	5	5	5	—	—	2800 504-5
	w/11" x 3" Brakes, w/Motor Wheel Drum	—	—	—	5	5	5	5	5	5	5	—	—	2781 566-7
	w/Disc Brakes	5	5	5	—	—	—	—	—	—	—	—	—	2768 028-9
	w/Disc Brakes	—	—	—	5	5	—	—	—	—	—	—	—	2823 236-7
	w/Disc Brakes	—	—	—	—	—	5	5	5	5	5	—	—	2925 170-1
	w/Disc Brakes	—	—	—	—	—	—	—	—	—	—	5	—	2534 158-9
	Rear Wheel, w/o Sure-Grip Axle	5	5	5	—	—	—	—	—	—	—	—	—	2070 158-9
	Rear Wheel, w/Sure-Grip Axle	5	5	5	—	—	—	—	—	—	—	—	—	2404 435-6
	Rear Wheel	—	—	—	5	5	5	5	5	5	5	—	—	2404 435-6
	Rear Wheel	—	—	—	—	—	—	—	—	—	—	5	—	2513 744-5
22-05-24	NUT, Front and Rear Wheel Mtg Plain 7/16" Thd	10	10	10	—	—	—	—	—	—	—	—	—	2409 824-5

TYPE LETTERS Indicates

B - Barracuda

V - Valiant
L - DartR - Belvedere
W - CoronetP - Plymouth
D - DodgeC - Chrysler
Y - Imperial

AR Indicates use as required.

= Indicates parts not listed in any previous parts book.

Numerals in parentheses () refer to notes.

★ Indicates change or addition.

Printed in U.S.A.
January 1971

CODE	PART NAME	ENG. TYPE OR C.U.IN.	V	B	L	R	W	P	D	C	C	C	Y	PART NUMBER
			1-2	1-2	1-2	1-2	1-2	1-2	1-2	1	2	3	1	

22-05-0 WHEEL DRIVING STUD AND NUT Cont'd.

22-05-24	NUT, Cont'd. FRONT and Rear Wheel Mtg Plain 1/2" Thd		—	—	10	10	10	10	10	10	10	10	10	2409 826-7
	Front and Rear Wheel Mounting, Chrome		—	—	—	10	10	—	—	—	—	—	—	2823 848-9

22-06-0 FRONT WHEEL BEARING

22-06-1	CONE and ROLLER, Inner, w/9" Brakes	6	2	2	2	—	—	—	—	—	—	—	—	2203 352
	Outer	6	2	2	2	—	—	—	—	—	—	—	—	2203 350
	Inner, w/10" and 11" Brakes		2	2	2	2	2	2	2	2	2	2	—	1619 701
	Inner, w/Disc Brakes		2	2	2	2	2	2	2	2	2	2	—	1619 701
	Outer		2	2	2	2	2	2	2	2	2	2	—	1619 703
	Inner		—	—	—	—	—	—	—	—	—	—	2	1789 755
	Outer		—	—	—	—	—	—	—	—	—	—	2	1790 241
22-06-2	CUP, Inner, w/9" Brakes		2	2	2	—	—	—	—	—	—	—	—	2203 353
	Outer		2	2	2	—	—	—	—	—	—	—	—	2203 351
	Inner, w/10" and 11" Brakes		2	2	2	2	2	2	2	2	2	2	—	1619 700
	Outer		2	2	2	2	2	2	2	2	2	2	—	1619 702
	Inner, w/Disc Brakes		2	2	2	2	2	2	2	2	2	2	—	1619 700
	Outer		2	2	2	2	2	2	2	2	2	2	—	1619 702
	Inner		—	—	—	—	—	—	—	—	—	—	2	1789 754
	Outer		—	—	—	—	—	—	—	—	—	—	2	1790 244
22-06-5	NUT, Bearing, w/9" Brakes except 9" Brakes	6	2	2	2	—	—	—	—	—	—	—	—	2072 731
22-06-10	LOCK, Bearing Nut		2	2	2	2	2	2	2	2	2	2	2	1732 300
22-06-14	WASHER, Thrust, w/9" Brakes except 9" Brakes	6	2	2	2	—	—	—	—	—	—	—	—	1673 324
22-06-18	SEAL, Hub Dust, w/9" Brakes w/10" Brakes w/11" Brakes	6	2	2	2	—	—	—	—	—	—	—	—	2072 733
			2	2	2	2	2	2	2	2	2	2	2	600 194
			2	2	2	2	2	2	2	2	2	2	—	2525 063
			—	—	—	2	2	2	2	2	2	2	—	2808 267
			—	—	—	—	—	—	—	—	—	—	2	2808 269
	w/Disc Brakes		—	—	—	—	—	2	2	2	2	2	—	2808 268
			—	—	—	—	—	—	—	—	—	—	—	2808 267

22-08-0 WHEEL HUB CAPS

22-08-5	CAP Wheel		4	4	—	4	—	4	—	—	—	—	—	—2944 088
	Wheel		—	—	4	—	4	—	4	—	—	—	—	2944 089
22-08-57	CAP, Front Wheel Grease, w/9" Brakes except 9" Brakes		2	2	2	—	—	—	—	—	—	—	—	2072 718
			2	2	2	2	2	2	2	2	2	2	—	1613 416
			—	—	—	—	—	—	—	—	—	—	2	1671 341

22-09-0 WHEEL BALANCE WEIGHT

22-09-1	WEIGHT, 1/2 oz		AR	AR	AR	AR	AR	AR	AR	AR	AR	AR	AR	AR	1615 349
	1 oz		AR	AR	AR	AR	AR	AR	AR	AR	AR	AR	AR	AR	1615 350
	1 1/2 oz		AR	AR	AR	AR	AR	AR	AR	AR	AR	AR	AR	AR	1615 351
	2 oz		AR	AR	AR	AR	AR	AR	AR	AR	AR	AR	AR	AR	1615 352
	2 1/2 oz		AR	AR	AR	AR	AR	AR	AR	AR	AR	AR	AR	AR	1615 353
	3 oz		AR	AR	AR	AR	AR	AR	AR	AR	AR	AR	AR	AR	1615 354

22-20-0 SPARE WHEEL CARRIER

22.20-85	SPRING, Spare Wheel Anchor Rod, except Cv Cp and Sta Wgn		—	—	—	—	—	1	1	1	1	1	1	2784 218
----------	---	--	---	---	---	---	---	---	---	---	---	---	---	----------

TYPE LETTERS Indicates B - Barracuda V - Valiant R - Belvedere P - Plymouth C - Chrysler
L - Dart W - Coronet D - Dodge Y - Imperial

AR Indicates use as required. Numerals in parentheses () refer to notes. Printed in U.S.A.
= Indicates parts not listed in any previous parts book. ★ Indicates change or addition. January 1971

1969 PASSENGER CAR PARTS CATALOG

WHEELS

CODE	PART NAME	ENG. TYPE OR CU.IN.	V	B	L	R	W	P	D	C	C	C	Y	PART NUMBER
			1-2	1-2	1-2	1-2	1-2	1-2	1	2	3	1		
22-20-0 SPARE WHEEL CARRIER Cont'd.														
22-20-87	ROD, Spare Wheel Anchor		1	1	1	—	—	—	—	—	—	—	—	2527 196
	R, Cv Cp, W, Sp 2 DHT		—	—	—	1	1	—	—	—	—	—	—	2965 021
	R, except Cv Cp and Sta Wgn, W, except Sp 2 DHT		—	—	—	1	1	—	—	—	—	—	—	2965 020
	except Sta Wgn		—	—	—	—	—	1	1	1	1	1	1	2965 020
	ROD, w/House Spare Wheel Anchor, Sta Wgn		—	—	—	1	1	—	—	—	—	—	—	2664 275
	Sta Wgn		—	—	—	—	—	1	1	1	—	—	—	2573 028
	NUT		—	—	—	—	—	1	1	1	1	1	1	6023 540

NOTES

TYPE LETTERS Indicates

B - Barracuda

V - Valiant
L - Dart

R - Belvedere
W - Coronet

P - Plymouth
D - Dodge

C - Chrysler
Y - Imperial

AR Indicates use as required.

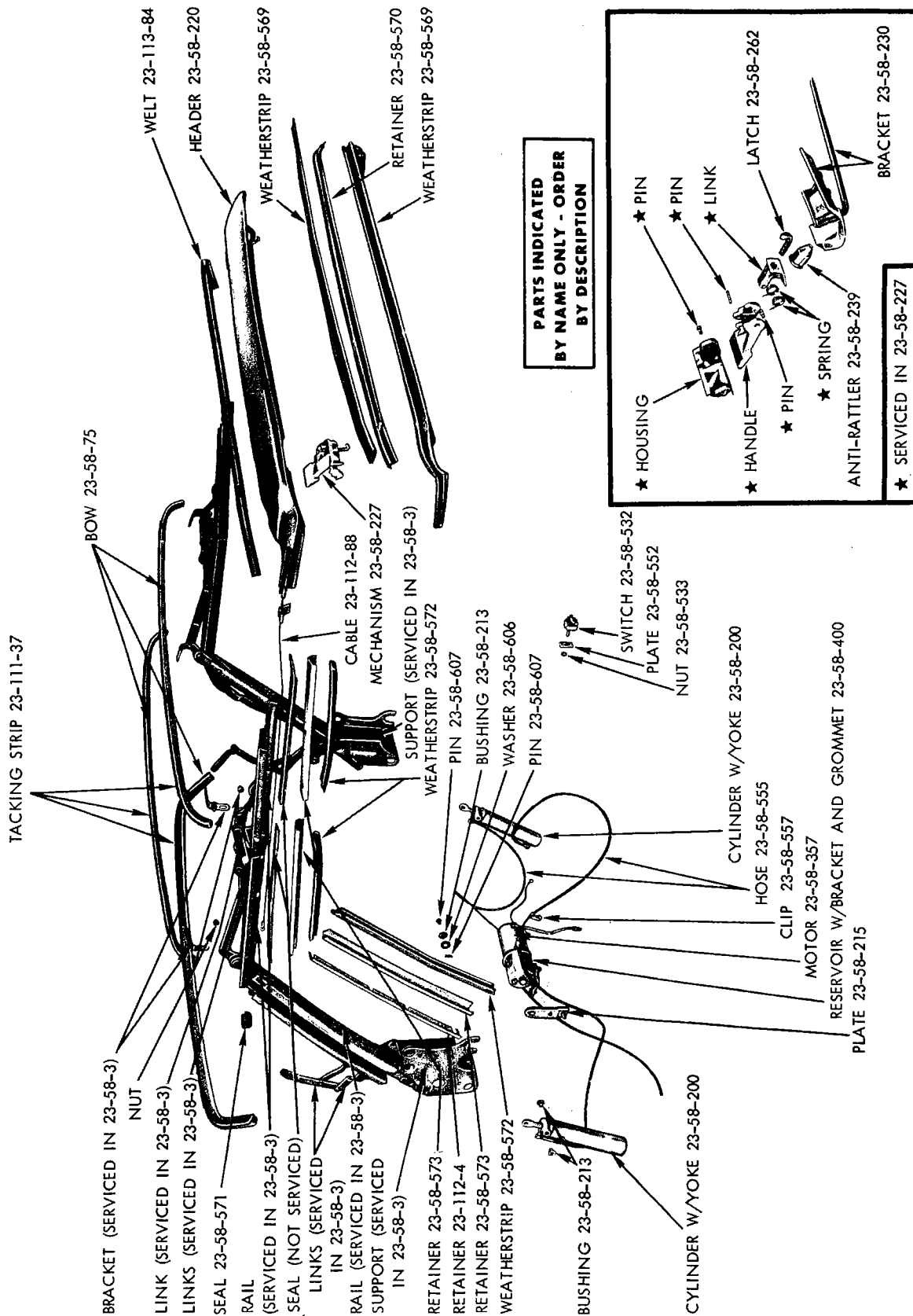
Indicates parts not listed in any previous parts book.

Numerals in parentheses () refer to notes.

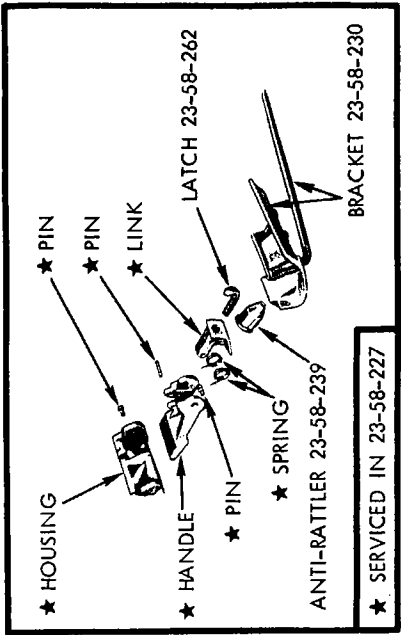
★ Indicates change or addition.

Printed in U.S.A.
January 1971

GROUP 23 - BODY



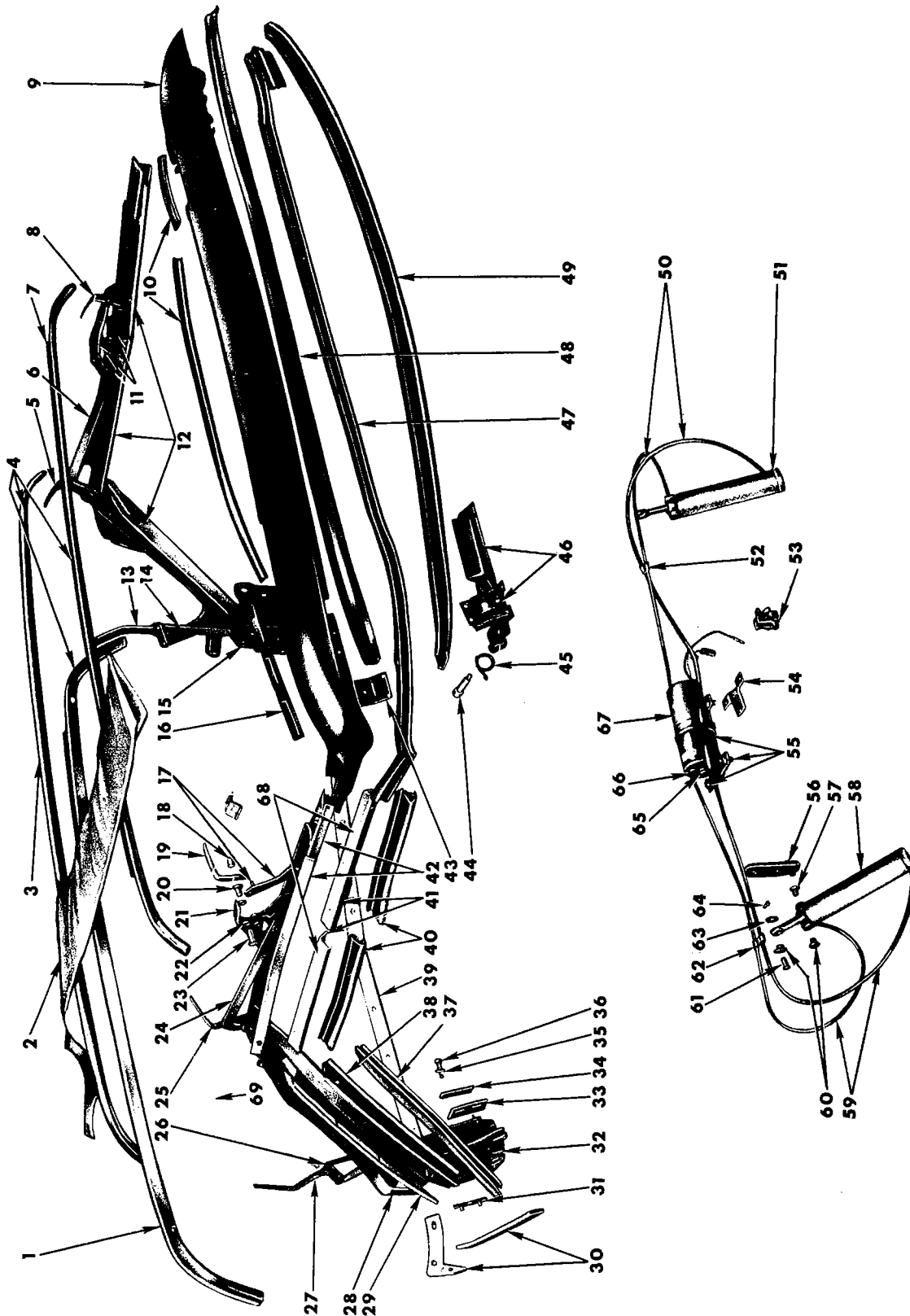
PARTS INDICATED BY NAME ONLY - ORDER BY DESCRIPTION



19a1085

FOLDING TOP - BARRACUDA AND DART

19aL2745

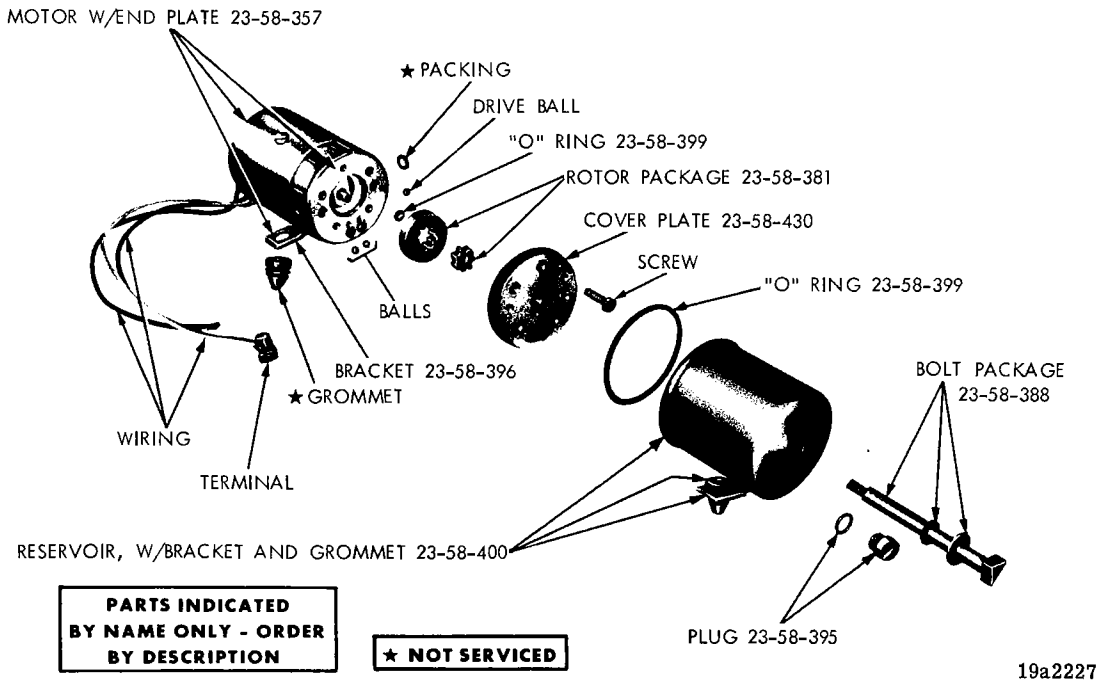


FOLDING TOP - PLYMOUTH, DODGE AND CHRYSLER

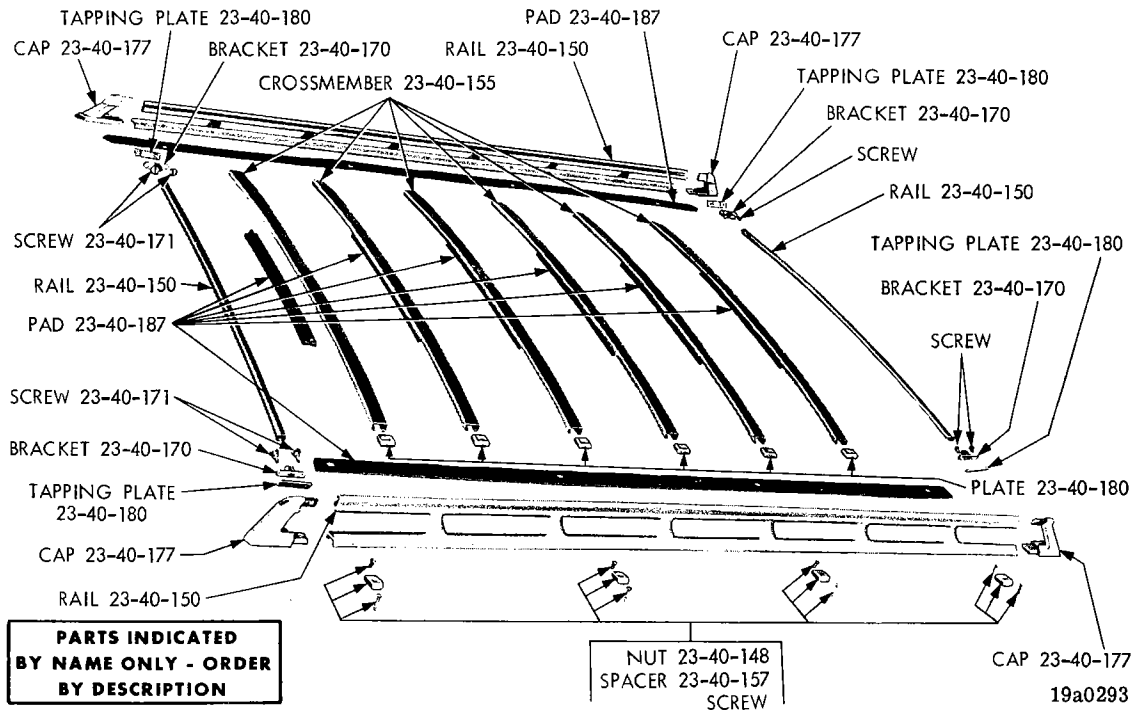
FOLDING TOP - PLYMOUTH, DODGE AND CHRYSLER

Ref. No.	Name	Part Type Code	Ref. No.	Name	Part Type Code
1	Tacking Strip	23-111-37	36	Bolt	
2	Pad	23-112-112	37	Weatherstrip	23-58-572
3	Tacking Strip	23-111-37	38	Retainer	23-58-573
4	Bow	23-58-75	39	Retainer	23-112-4
5	Bracket	23-58-84	40	Weatherstrip	23-58-572
6	Link (Serviced in 23-58-3)		41	Retainer	23-58-573
7	Tacking Strip	23-111-37	42	Rail (Serviced in 23-58-3)	
8	Bracket (Serviced in 23-58-3)		43	Wedge	23-58-238
9	Header	23-58-220	44	Screw	23-58-262
10	Welt	23-113-84	45	Spring	23-58-266
11	Links (Serviced in 23-58-3)		46	Latch	23-58-262
12	Rail (Serviced in 23-58-3)		47	Weatherstrip	23-58-569
13	Bracket (Serviced in 23-58-3)		48	Retainer	23-58-570
14	Link (Serviced in 23-58-3)		49	Weatherstrip	23-58-569
15	Support (Serviced in 23-58-3)		50	Hose	23-58-555
16	Welt	23-113-84	51	Cylinder w/Yoke	23-58-200
17	Link w/Pin (Serviced in 23-58-3)		52	Clip	23-58-557
18	Nut		53	Switch	23-58-532
19	Bracket (Serviced in 23-58-3)		54	Bracket	23-58-396
20	Bushing		55	Reservoir w/Bracket and Grommet	23-58-400
21	Link (Serviced in 23-58-3)		56	Plate	23-58-215
22	Washer		57	Bushing	23-58-213
23	Screw		58	Cylinder w/Yoke	23-58-200
24	Link (Serviced in 23-58-3)		59	Hose	23-58-555
25	Bracket	23-58-84	60	Bushing	23-58-213
26	Link (Serviced in 23-58-3)		61	Pin	23-58-607
27	Bracket (Serviced in 23-58-3)		62	Clip	23-58-557
28	Link (Serviced in 23-58-3)		63	Washer	23-58-606
29	Retainer	23-112-4	64	Pin	23-58-607
30	Retainer	23-112-4	65	Bolt (Serviced in 23-58-388)	
31	Plate	23-58-78	66	Plug	23-58-395
32	Support (Serviced in 23-58-3)		67	Motor w/End Plate	23-58-357
33	Plate	23-58-78	68	Seal	Not Serviced
34	Plate	23-58-78	69	Cable	23-112-88
35	Washer				

PARTS INDICATED BY NAME ONLY - ORDER BY DESCRIPTION

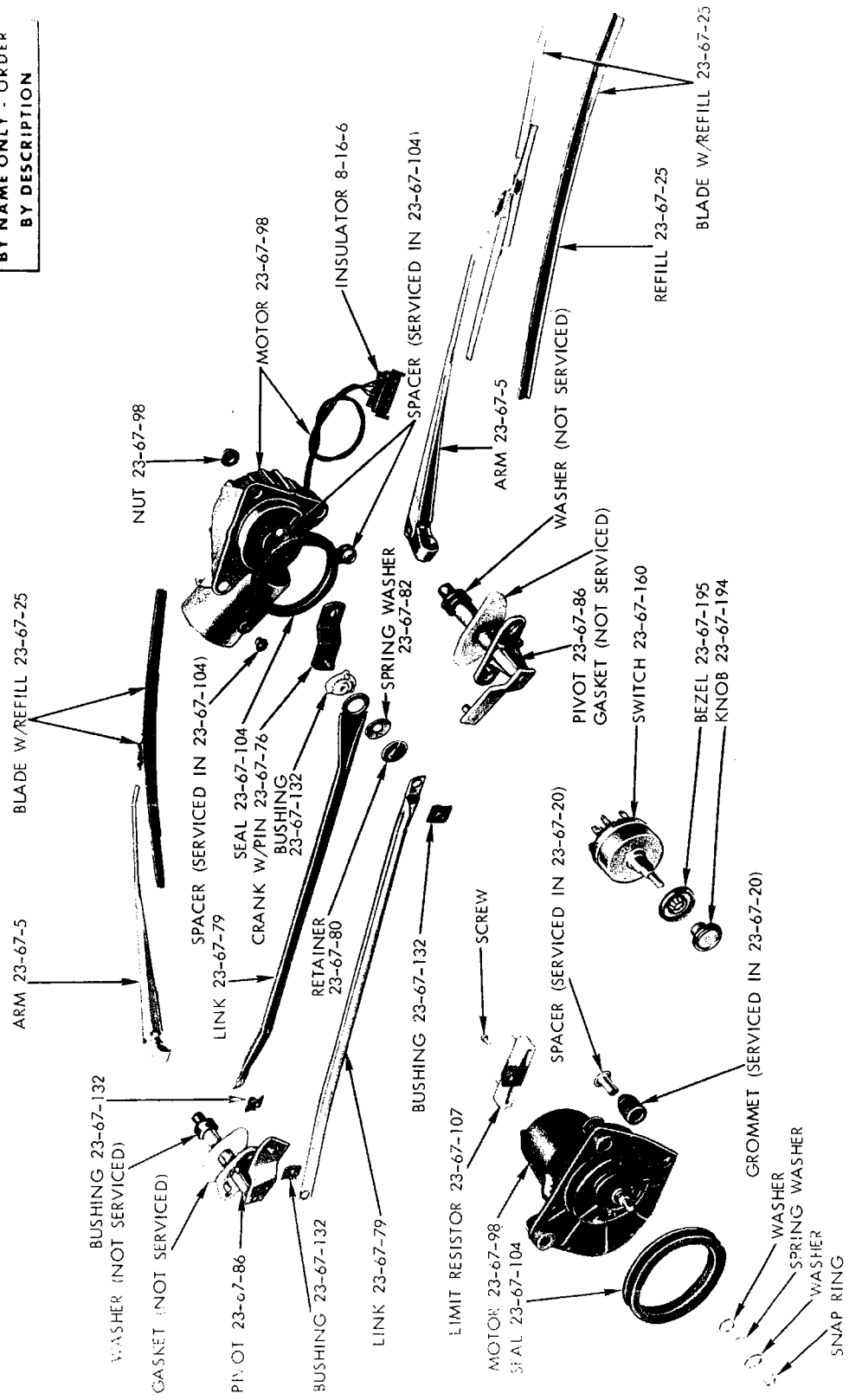


FOLDING TOP MOTOR



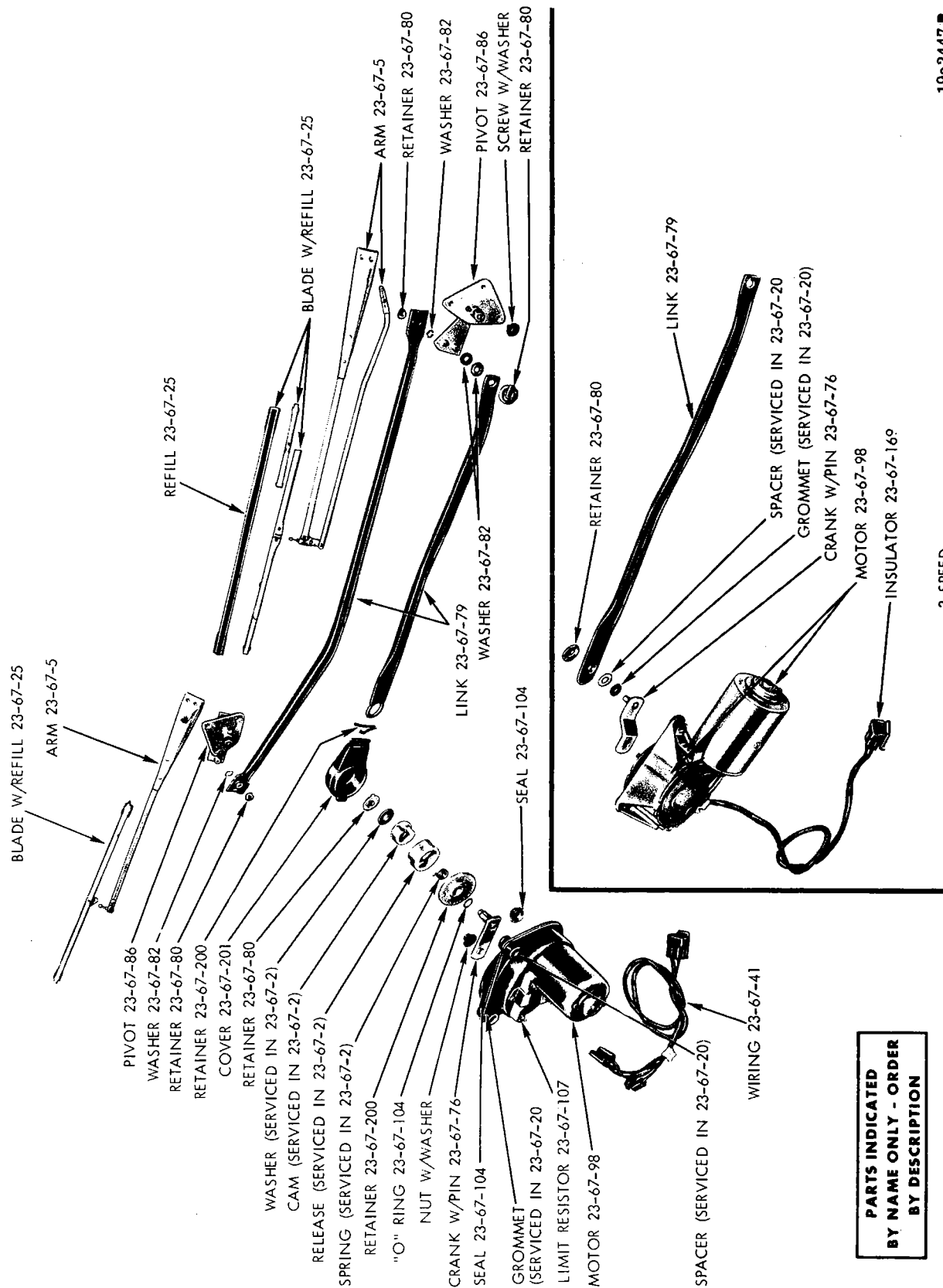
ROOF LUGGAGE RACK - BELVEDERE AND CORONET

PARTS INDICATED
BY NAME ONLY - ORDER
BY DESCRIPTION



19a2657

WINDSHIELD WIPER - VALIANT, DART AND BARRACUDA (TYPICAL OF BELVEDERE, CORONET AND CHARGER)

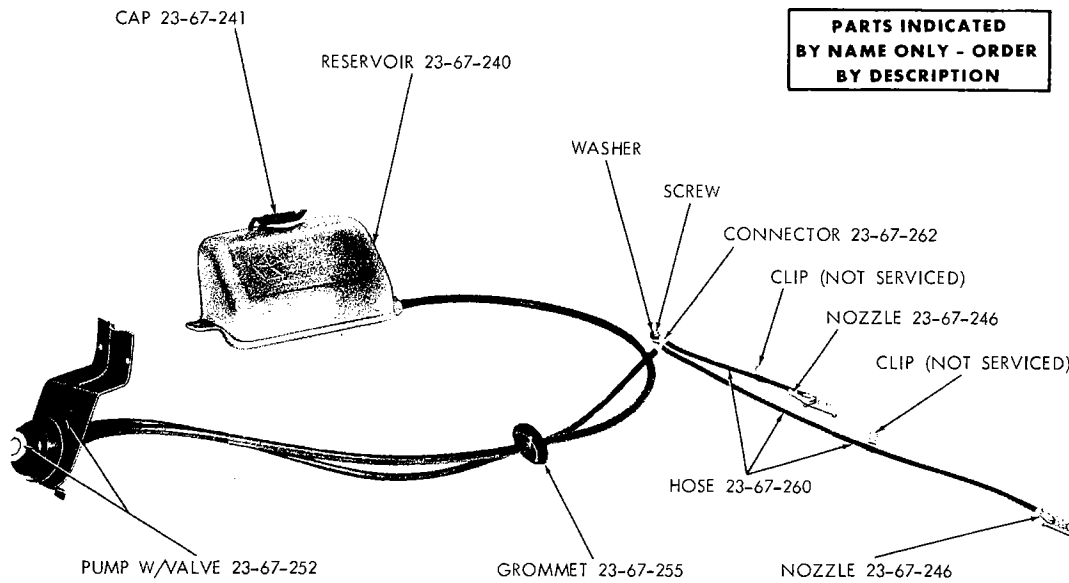


**PARTS INDICATED
BY NAME ONLY - ORDER
BY DESCRIPTION**

19a2447 B

3 SPEED

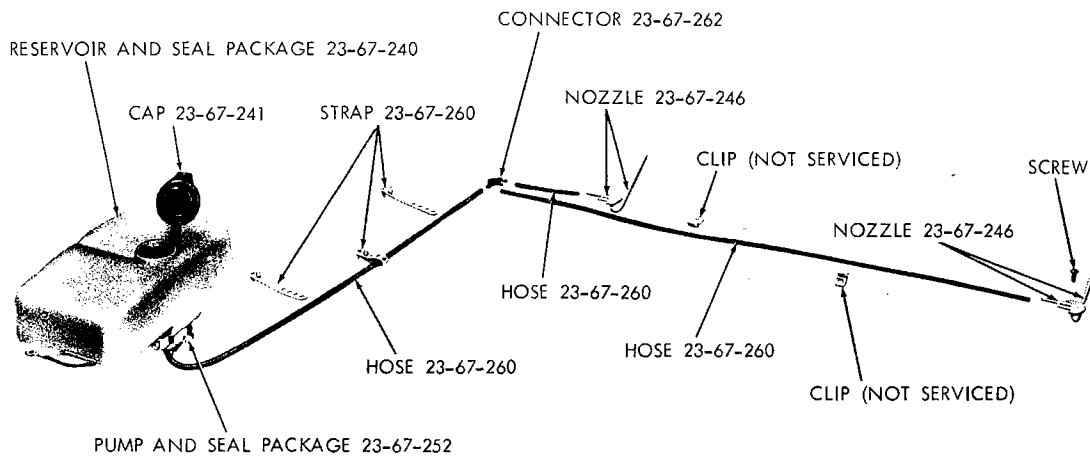
WINDSHIELD WIPER (2 AND 3 SPEED) - PLYMOUTH, DODGE, CHRYSLER AND IMPERIAL



**PARTS INDICATED
BY NAME ONLY - ORDER
BY DESCRIPTION**

19a2658

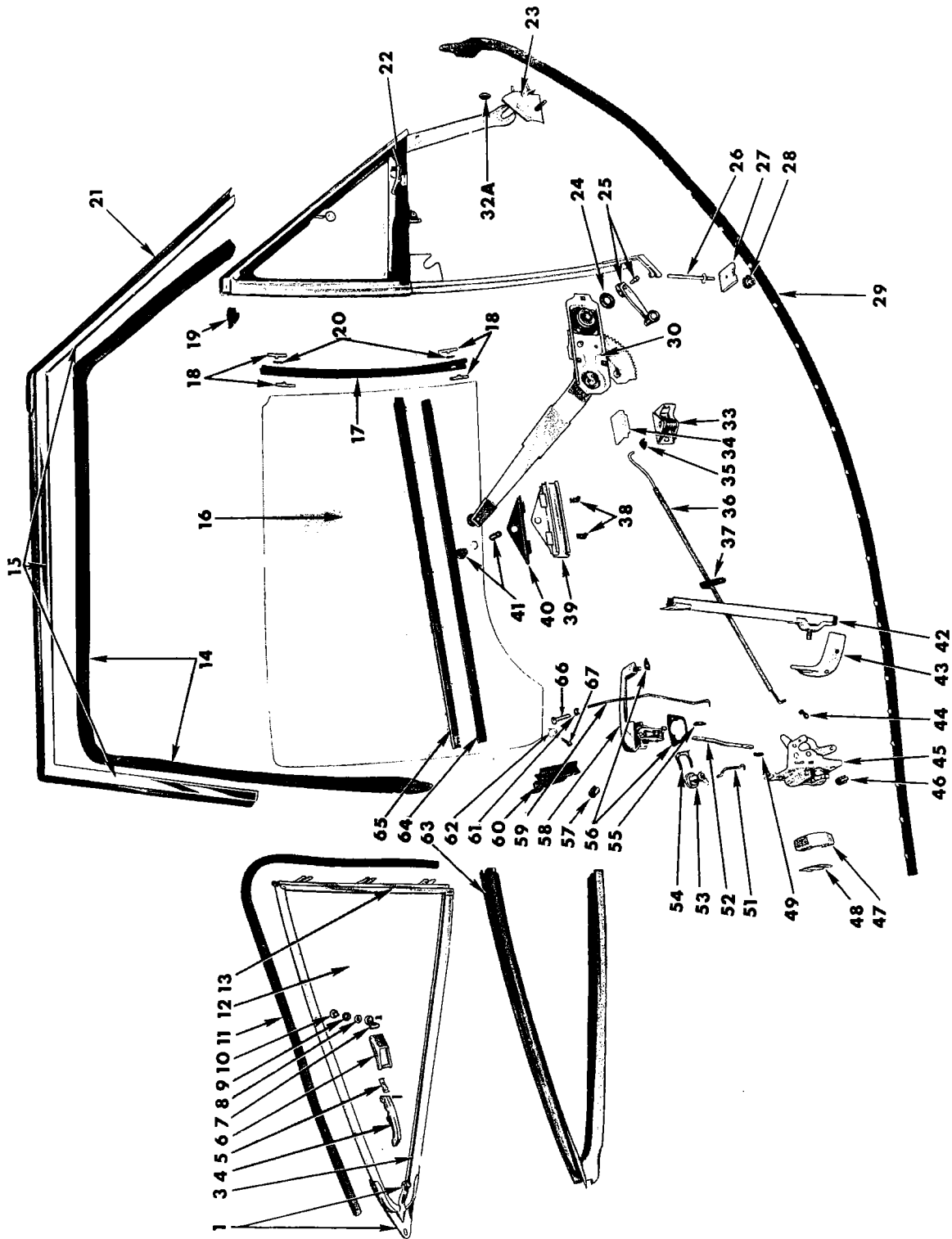
WINDSHIELD WASHER (FOOT OPERATED) - VALIANT, DART AND BARRACUDA



**PARTS INDICATED
BY NAME ONLY - ORDER
BY DESCRIPTION**

19a2725

WINDSHIELD WASHER SYSTEM - BELVEDERE AND CORONET



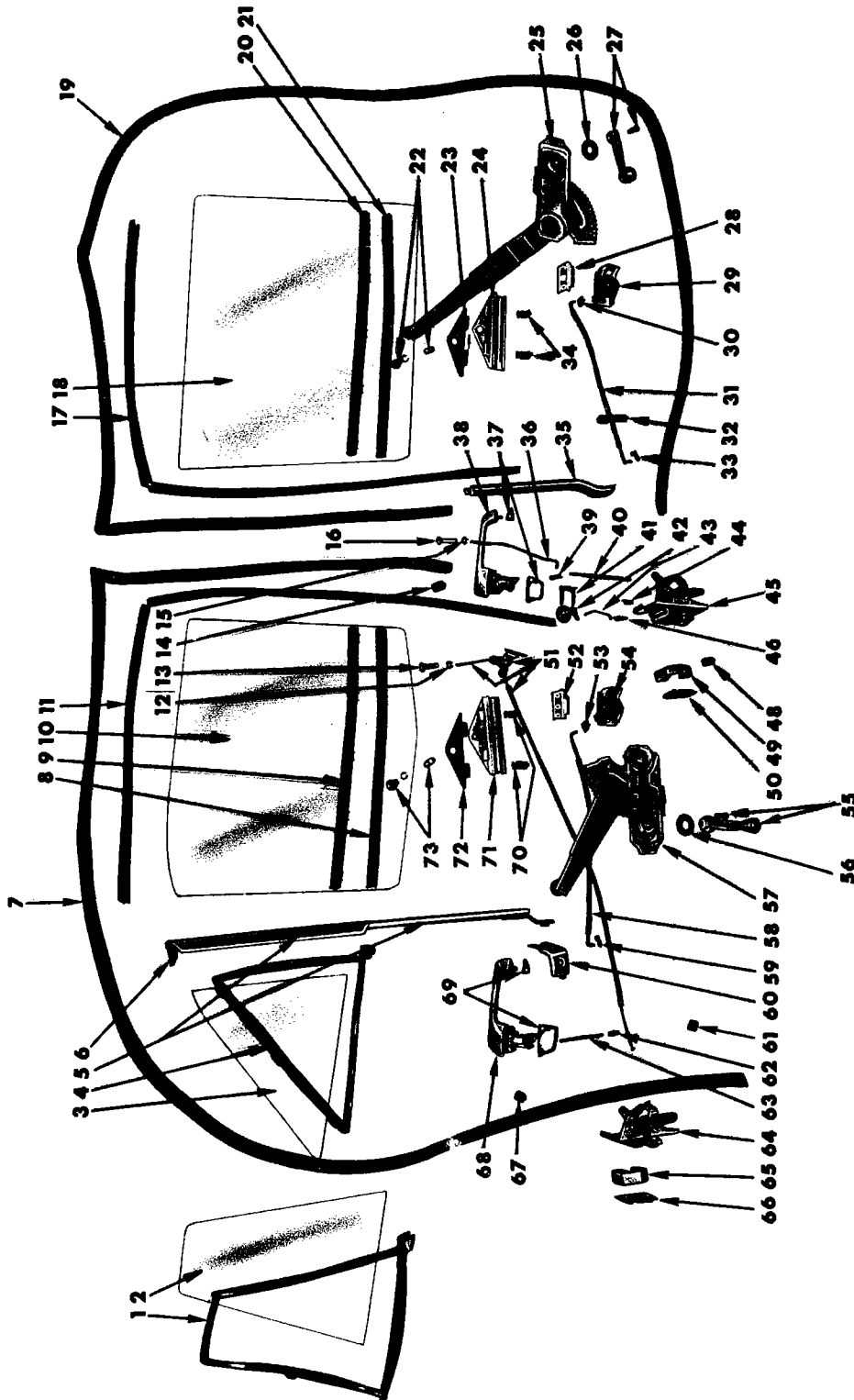
19aL2290 B

DOOR AND QUARTER WINDOW REGULATORS AND RUNS - BELVEDERE AND CORONET 2 DOOR SEDAN

DOOR AND QUARTER WINDOW REGULATORS AND RUNS -
BELVEDERE AND CORONET 2 DOOR SEDAN

Ref. No.	Name	Part Type Code	Ref. No.	Name	Part Type Code
1	Bracket	23-63-133	34	Seal	23-18-37
2		35	Clip	23-18-29
3	Retainer w/Bracket	23-63-136	36	Link w/Sleeve	23-18-11
4	Handle	23-14-70	37	Clip	23-18-29
5	Retainer	23-14-80	38	Clip	
6	Link (Serviced in 23-64-181)		39	Bracket w/Guide	23-09-52
7	Bracket (Serviced in 23-64-181)		40	Gasket	23-09-54
8	Washer	23-64-246	41	Rivet	23-09-52
9	Grommet	23-64-278	42	Channel and Bracket	23-09-51
10	Retainer	23-64-159	43	Support w/Nut	23-09-47
11	Seal	Not Serviced	44	Clip	23-18-29
12	Glass	23-64-311	45	Latch	23-18-5
13	Frame w/Bracket	23-64-280	46	Bumper	23-08-12
14	Weatherstrip	23-63-33	47	Striker	23-08-60
15	Retainer	23-63-55	48	Spacer	23-08-54
16	Glass	23-64-308	49	Clip	23-18-29
17	Weatherstrip Package	23-63-33	50	
18	Slide	23-64-282	51	Link	23-18-26
19	Bumper	23-64-71	52	Link	23-18-20
20	Pin	23-64-286	53	Cylinder and Key Package	23-17-2
21	Seal	Not Serviced	54	Retainer	23-17-28
22	Handle Package	23-14-53	55	Clip	23-18-29
23	Bracket	23-64-242	56	Gasket or Seal	23-14-147
24	Spacer	23-14-24	57	Bumper	23-08-12
25	Handle	23-14-18	58	Handle	23-14-10
26	Rod	23-64-40	59	Rod	23-18-26
27	Retainer	23-64-44	60	Seal	23-63-33
28	Nut	23-64-40	61	Escutcheon	23-18-49
29	Weatherstrip	23-63-33	62	Stop	23-64-12
30	Regulator	23-39-5	63	Weatherstrip	23-63-100
31		64	Weatherstrip	23-63-15
32		65	Weatherstrip	23-63-14
32A	Plug	23-64-71	66	Knob Package	23-18-27
33	Remote Control	23-18-13	67	Screw	23-64-12

PARTS INDICATED BY NAME ONLY - ORDER BY DESCRIPTION



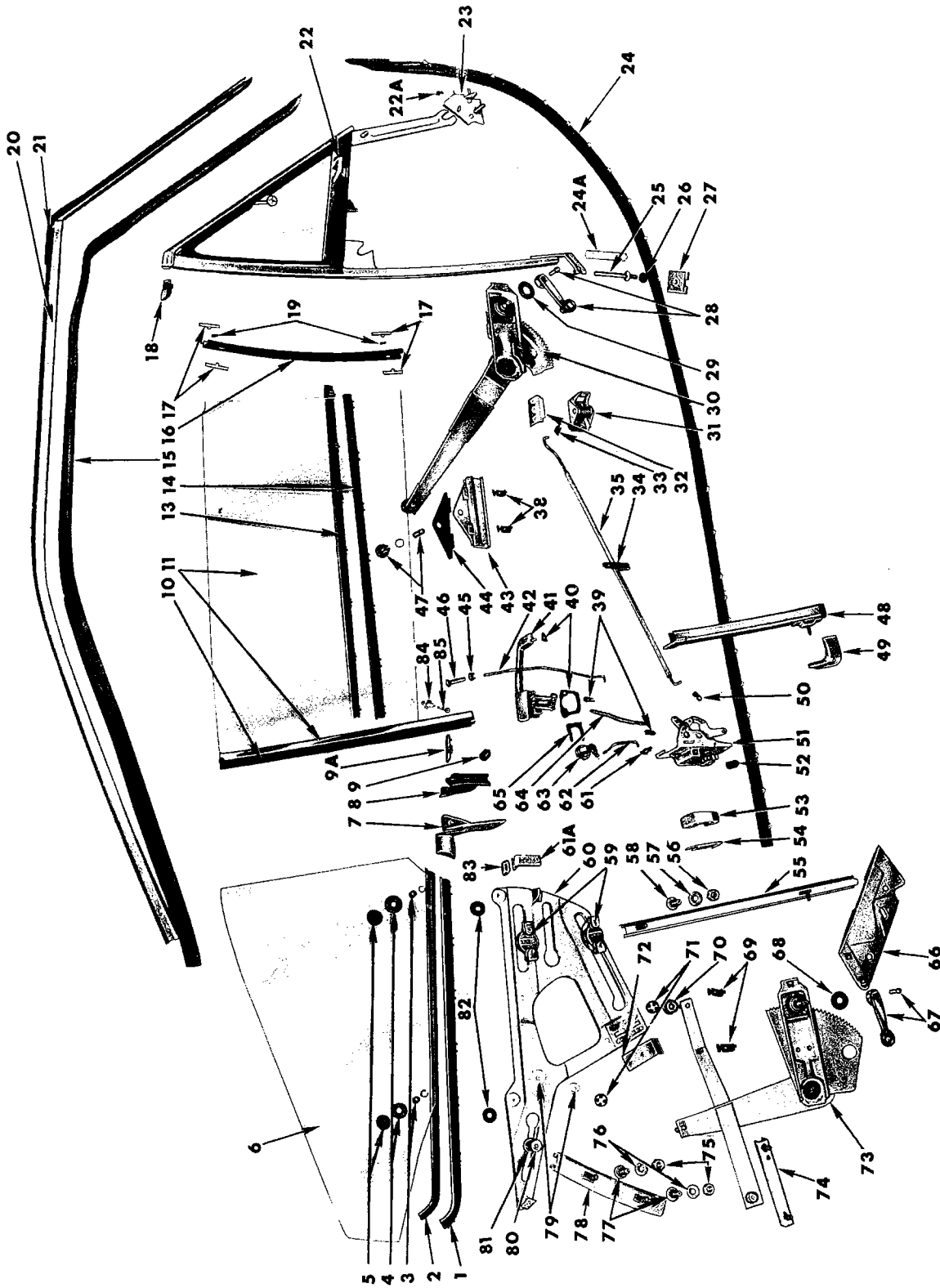
19aL2292

DOOR WINDOW REGULATORS AND RUNS - BELVEDERE AND CORONET 4 DOOR SEDAN AND STATION WAGON

DOOR WINDOW REGULATORS AND RUNS - BELVEDERE AND CORONET
4 DOOR SEDAN AND STATION WAGON

Ref. No.	Name	Part Type Code	Ref. No.	Name	Part Type Code
1	Weatherstrip	23-63-97	38	Handle	23-14-10
2	Glass	23-64-308	39	Clip	23-18-29
3	Glass	23-64-308	40	Link	23-18-20
4	Weatherstrip	23-63-97	41	Retainer	23-17-28
5	Channel	23-09-56	42	Cylinder and Key Package	23-17-2
6	Run	23-42-13	43	Link	23-18-26
7	Weatherstrip	23-63-33	44	Clip	23-18-29
8	Weatherstrip	23-63-15	45	Latch	23-18-5
9	Weatherstrip	23-63-14	46	Clip	23-18-29
10	Glass	23-64-308	47	
11	Run	23-42-23	48	Bumper	23-08-12
12	Escutcheon	23-18-49	49	Striker	23-08-60
13	Knob Package	23-18-27	50	Spacer	23-08-54
14	Bumper	23-08-12	51	Control w/Link	23-18-25
15	Escutcheon	23-18-49	52	Seal	23-18-37
16	Knob Package	23-18-27	53	Clip	23-18-29
17	Run	23-42-16	54	Remote Control	23-18-13
18	Glass	23-64-308	55	Handle	23-14-18
19	Weatherstrip	23-63-33	56	Spacer	23-14-24
20	Weatherstrip	23-63-14	57	Regulator	23-39-5
21	Weatherstrip	23-63-15	58	Link w/Sleeve	23-18-11
22	Rivet	23-09-52	59	Clip	23-18-29
23	Gasket	23-09-54	60	Support w/Nut	23-64-273
24	Bracket	23-09-52	61	Bumper	23-08-12
25	Regulator	23-39-5	62	Clip	23-18-29
26	Spacer	23-14-24	63	Link	23-18-20
27	Handle	23-14-18	64	Latch	23-18-5
28	Seal	23-18-37	65	Striker	23-08-60
29	Remote Control	23-18-13	66	Spacer	23-08-54
30	Clip	23-18-29	67	Bumper	23-08-12
31	Link w/Sleeve	23-18-11	68	Handle	23-14-10
32	Clip	23-18-29	69	Gasket or Seal	23-14-147
33	Clip	23-18-29	70	Clip	
34	Clip		71	Bracket w/Guide	23-09-58
35	Channel w/Bracket	23-09-51	72	Gasket	23-09-54
36	Rod	23-18-26	73	Rivet	23-09-58
37	Gasket or Seal	23-14-147			

PARTS INDICATED BY NAME ONLY - ORDER BY DESCRIPTION



19aL2291B

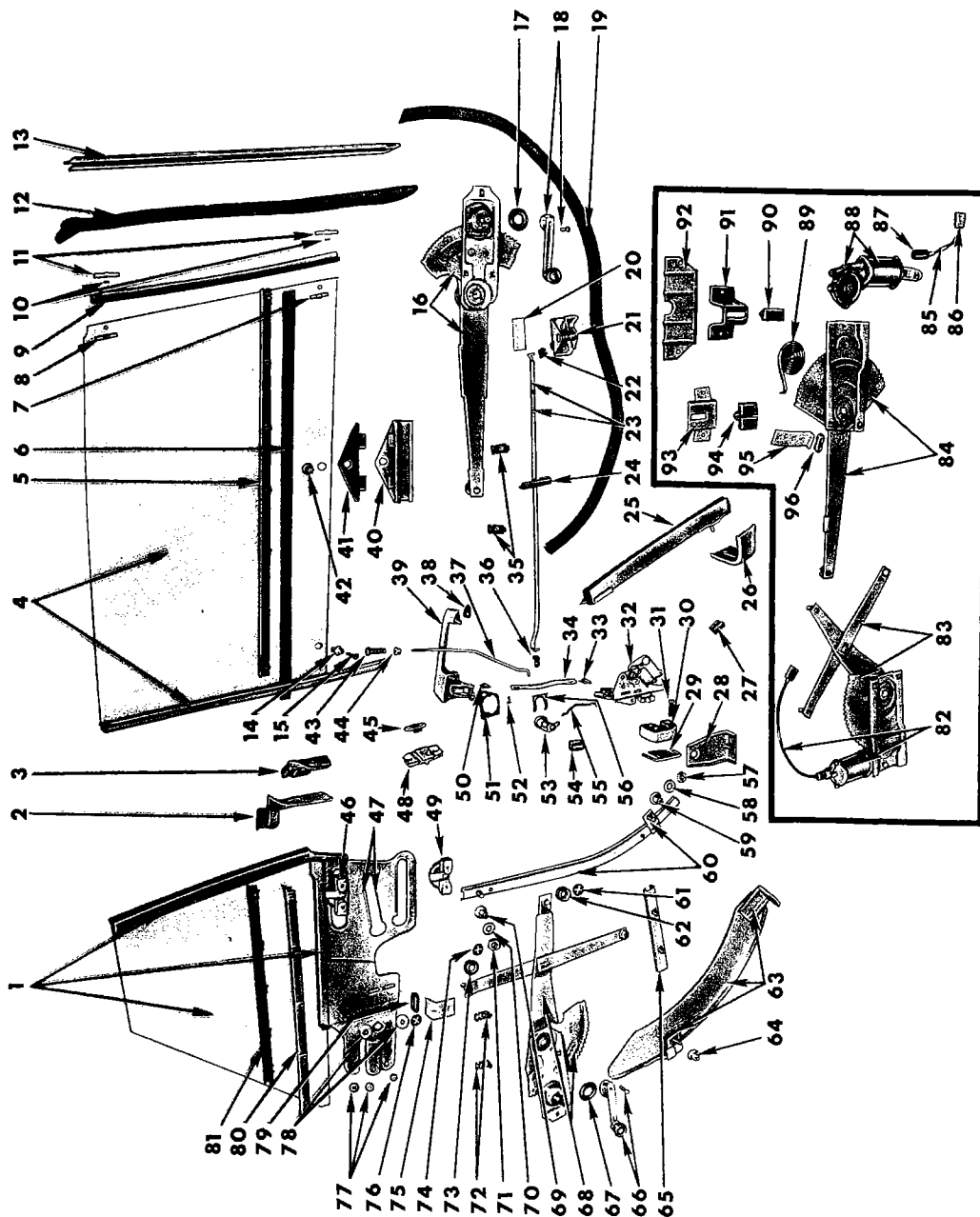
DOOR AND QUARTER WINDOW REGULATORS AND RUNS - BELVEDERE AND CORONET 2 DOOR HARDTOP (TYPICAL OF CHARGER)

DOOR AND QUARTER WINDOW REGULATORS AND RUNS -
BELVEDERE AND CORONET 2 DOOR HARDTOP
(TYPICAL OF CHARGER)

Ref. No.	Name	Part Type Code	Ref. No.	Name	Part Type Code
1	Weatherstrip	23-63-20	43	Bracket w/Guide	23-09-52
2	Weatherstrip	23-63-21	44	Gasket	23-09-54
3	Spacer	23-09-53	45	Escutcheon	23-18-49
4	Grommet	23-09-61	46	Knob Package	23-18-27
5	Bushing	23-39-17	47	Rivet	23-09-52
6	Glass	23-64-311	48	Channel w/Bracket	23-09-51
7	Seal	23-63-33	49	Support w/Nut	23-09-47
8	Seal	23-63-33	50	Clip	23-18-29
9	Bumper	23-08-12	51	Latch	23-18-5
9A	Cover	23-34-124	52	Bumper	23-08-12
10	Weatherstrip	23-63-33	53	Striker	23-08-60
11	Glass w/Rear Frame	23-64-308	54	Spacer	23-08-54
12		55	Track	23-64-299
13	Weatherstrip	23-63-14	56	Nut	
14	Weatherstrip	23-63-15	57	Washer	
15	Weatherstrip	23-63-33	58	Sleeve Nut	23-64-297
16	Weatherstrip Package	23-63-33	59	Bracket w/Roller and Guide	23-64-269
17	Slide	23-64-282	60	Frame w/Cap	23-09-9
18	Bumper	23-64-71	61	Clip	23-18-29
19	Pin	23-64-286	61A	Stop	23-64-12
20	Retainer	23-63-55	62	Link	23-18-26
21	Seal	Not Serviced	63	Cylinder and Key Package	23-17-2
22	Handle Package	23-14-53	64	Link	23-18-20
22A	Plug	23-64-71	65	Retainer	23-17-28
23	Bracket	23-64-242	66	Brace	23-64-281
24	Weatherstrip	23-63-33	67	Handle	23-14-79
24A	Anti-Rattler	23-64-17	68	Spacer	23-14-24
25	Rod	23-64-40	69	Clip	
26	Nut	23-64-40	70	Roller	23-39-45
27	Retainer	23-64-44	71	Spring Nut	23-39-12
28	Handle	23-14-18	72	Stop	23-64-12
29	Spacer	23-14-24	73	Regulator	23-39-34
30	Regulator	23-39-5	74	Bracket	23-39-48
31	Remote Control	23-18-13	75	Nut	
32	Seal	23-18-37	76	Washer	
33	Clip	23-18-29	77	Sleeve Nut	23-64-297
34	Clip	23-18-29	78	Track	23-64-299
35	Link w/Sleeve	23-18-11	79	Bushing	23-39-17
36		80	Slide	23-64-282
37		81	Roller	23-64-291
38	Clip		82	Grommet	23-09-61
39	Clip	23-18-29	83	Anti-Rattler	23-64-17
40	Gasket or Seal	23-14-147	84	Stop	23-64-12
41	Handle	23-14-10	85	Screw	23-64-12
42	Rod	23-18-26			

PARTS INDICATED BY NAME ONLY - ORDER BY DESCRIPTION

19aL2367 A

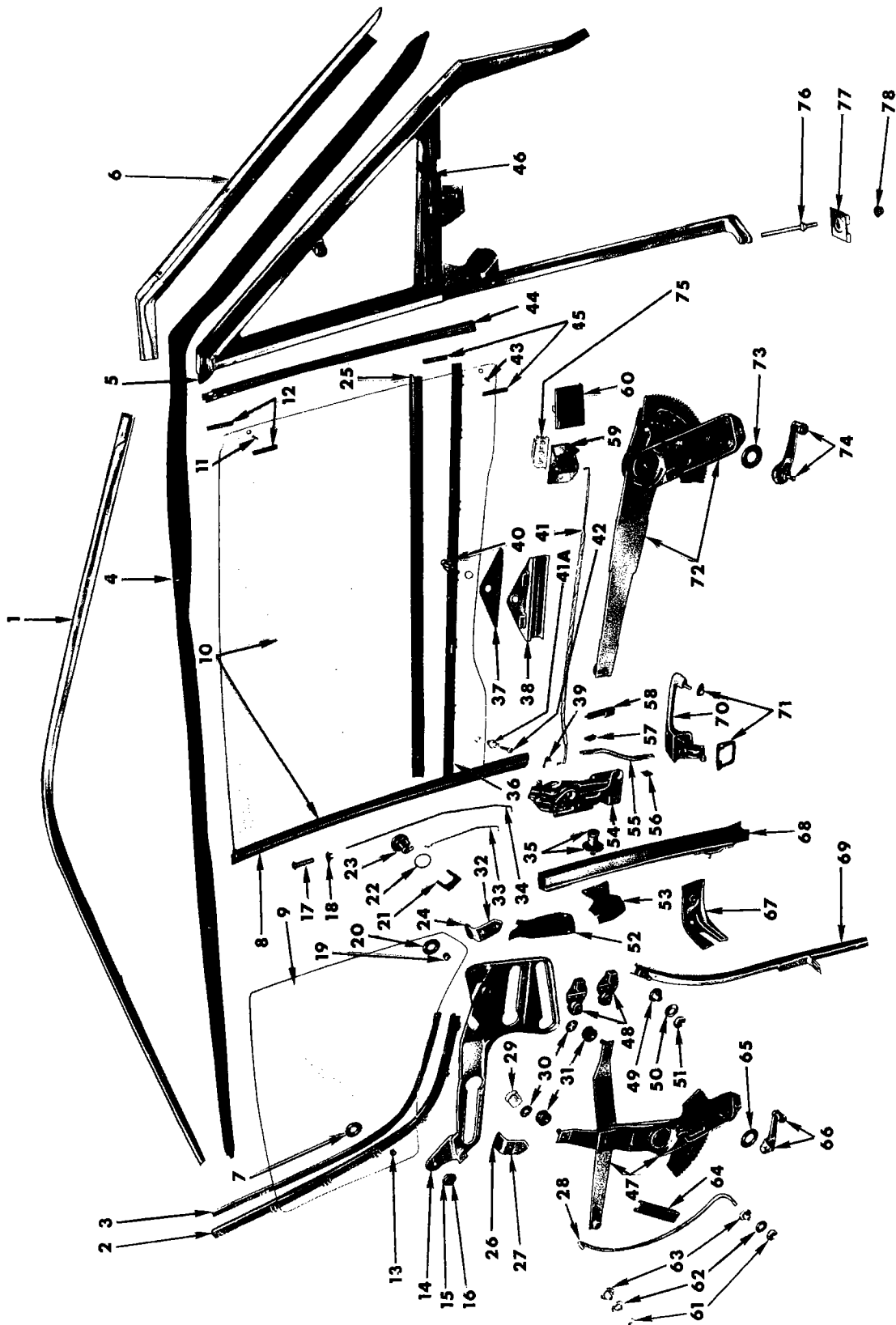


DOOR AND QUARTER WINDOW REGULATORS AND WEATHERSTRIPS - BELVEDERE AND CORONET CONVERTIBLE COUPE

DOOR AND QUARTER WINDOW REGULATORS AND WEATHERSTRIPS -
BELVEDERE AND CORONET CONVERTIBLE COUPE

Ref. No.	Name	Part Type Code	Ref. No.	Name	Part Type Code
1	Glass Complete	23-64-311	49	Bracket w/Roller and Guide	23-64-269
2	Seal	23-63-33	50	Clip	23-18-29
3	Seal	23-63-33	51	Gasket or Seal	23-14-147
4	Glass w/Rear Frame	23-64-308	52	Screw	
5	Weatherstrip	23-63-14	53	Cylinder and Key Package	23-17-2
6	Weatherstrip	23-63-15	54	Bumper	23-08-12
7	Slide	23-64-282	55	Link	23-18-26
8	Slide	23-64-282	56	Retainer	23-17-28
9	Weatherstrip Package	23-63-33	57	Nut	
10	Pin	23-64-286	58	Washer	
11	Slide	23-64-282	59	Sleeve Nut	23-64-297
12	Weatherstrip	23-63-33	60	Track w/Stud and Bracket	23-64-299
13	Retainer	23-63-55	61	Spring Nut	23-39-12
14	Stop	23-64-12	62	Roller	23-39-45
15	Screw	23-64-12	63	Track	23-64-198
16	Regulator	23-39-5	64	Sleeve Nut	23-64-297
17	Spacer	23-14-24	65	Bracket	23-39-48
18	Handle	23-14-18	66	Handle	23-14-79
	Screw	23-14-18		Screw	23-14-79
19	Weatherstrip	23-63-33	67	Spacer	23-14-24
20	Seal	23-18-37	68	Regulator	23-39-34
21	Remote Control	23-18-13	69	Sleeve Nut	23-64-297
22	Clip	23-18-29	70	Washer	
23	Link w/Sleeve	23-18-11	71	Nut	
24	Clip	23-18-29	72	Nut	23-76-16
25	Channel w/Bracket	23-09-51	73	Roller	23-39-45
26	Support w/Nut	23-09-47	74	Spring Nut	23-39-12
27	Bumper	23-08-12	75	Stop	23-64-12
28	Bracket	23-64-300	76	Spring Nut	23-39-12
29	Spacer	23-08-54	77	Slide	23-64-282
30	Striker	23-08-60	78	Bushing	23-39-17
31	Screw and Washer	23-08-60	79	Anti-Rattler	23-64-17
32	Latch	23-18-5	80	Weatherstrip	23-63-20
33	Clip	23-18-29	81	Weatherstrip	23-63-21
34	Link	23-18-20	82	Motor and Mechanism Package	23-41-106
35	Nut	23-76-16	83	Regulator	23-41-4
36	Clip	23-18-29	84	Regulator	23-41-4
37	Rod	23-18-26	85	Wiring	8-16-3
38	Gasket or Seal	23-14-147	86	Terminal	8-16-1
39	Handle	23-14-10	87	Mold	8-16-6
40	Bracket w/Guide	23-09-52	88	Motor and Mechanism Package	23-41-106
41	Gasket	23-09-54	89	Spring	23-41-7
42	Rivet	23-09-52	90	Bumper	23-64-4
43	Knob Package	23-18-27	91	Bracket	23-64-12
44	Escutcheon	23-18-49	92	Stop	23-64-12
45	Striker	23-08-12	93	Support	23-64-12
46	Bracket w/Roller and Guide	23-64-269	94	Bumper	23-64-4
47	Cap	23-09-27	95	Bracket	23-64-12
48	Wedge	23-08-12	96	Anti-Rattler	23-64-17

PARTS INDICATED BY NAME ONLY - ORDER BY DESCRIPTION



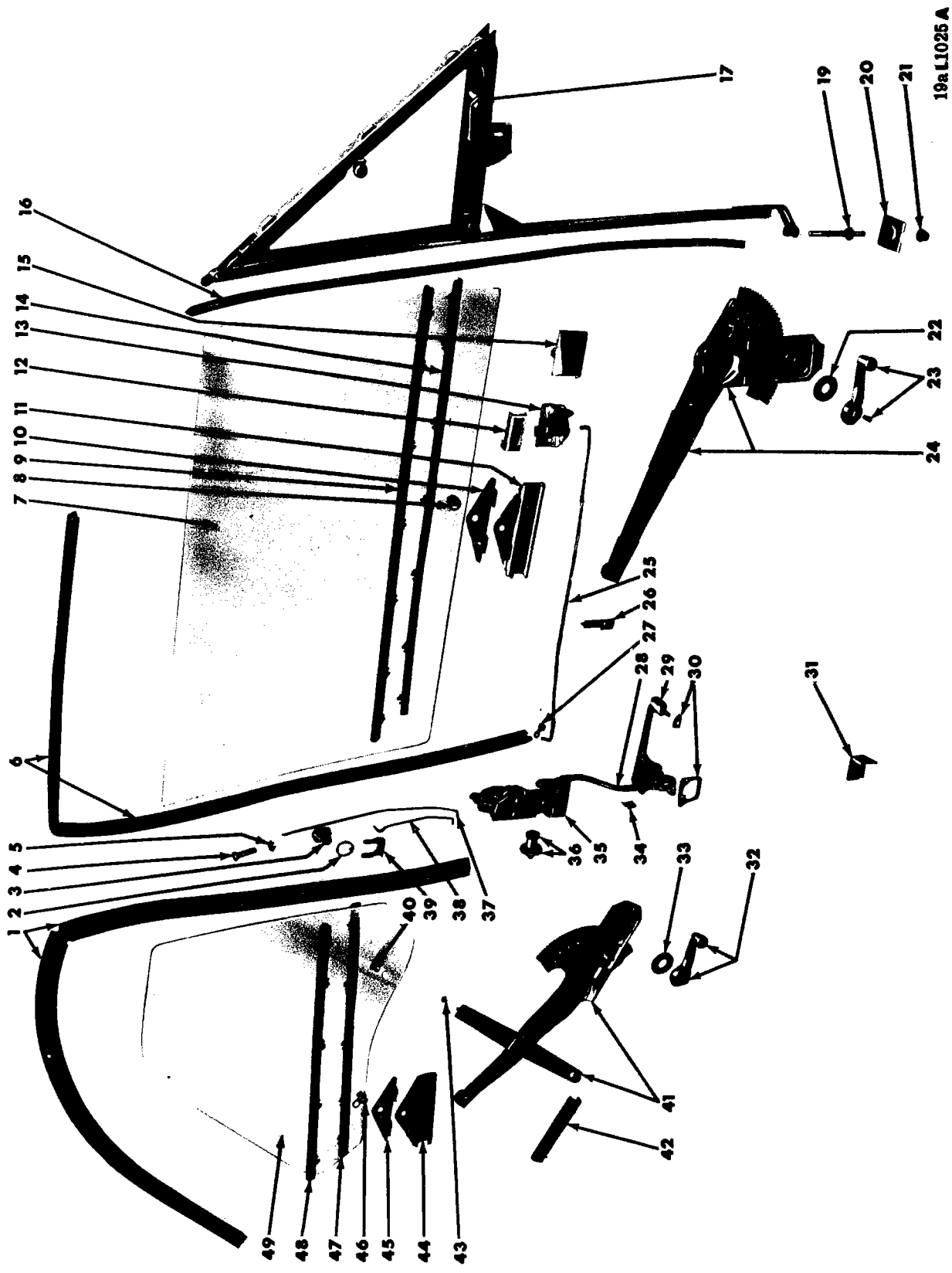
19a [1019A

DOOR AND QUARTER WINDOW REGULATORS AND RUNS - BARRACUDA SPECIAL 2 DOOR HARDTOP

DOOR AND QUARTER WINDOW REGULATORS AND RUNS -
BARRACUDA SPECIAL 2 DOOR HARDTOP

Ref. No.	Name	Part Type Code	Ref. No.	Name	Part Type Code
1	Retainer	23-63-55	41	Link w/Sleeve	23-18-11
2	Weatherstrip	23-63-20	41A	Stop	23-64-12
3	Weatherstrip	23-63-21	42	Screw	23-64-12
4	Weatherstrip	23-63-33	43	Pin	23-64-286
5	Bumper	23-64-71	44	Weatherstrip Package	23-63-33
6	Retainer	23-63-55	45	Slide	23-64-282
7	Grommet	23-09-61	46	Handle Package	23-14-53
8	Weatherstrip	23-63-33	47	Regulator	23-39-34
9	Glass	23-64-311	48	Bracket w/Roller & Guide	23-64-269
10	Glass w/Frame	23-64-308	49	Sleeve Nut	23-64-297
11	Pin	23-64-286	50	Washer	
12	Slide	23-64-282	51	Nut	
13	Spacer	23-09-53	52	Seal	23-63-33
14	Frame	23-09-9	53	Seal	23-63-33
15	Cup Washer	23-09-9	54	Latch	23-18-5
16	Screw	23-09-9	55	Link	23-18-20
17	Knob Package	23-18-27	56	Clip	23-18-29
18	Escutcheon	23-18-49	57	Clip	23-18-29
19	Spacer	23-09-53	58	Clip	23-18-29
20	Grommet	23-09-61	59	Remote Control	23-18-13
21	Retainer	23-17-28	60	Handle	23-14-27
22	Gasket	23-17-27	61	Nut	
23	Cylinder & Key Package	23-17-2	62	Washer	
24	Anti-Rattler	23-64-17	63	Sleeve Nut	23-64-297
25	Weatherstrip, Inner	23-63-14	64	Bracket	23-39-48
26	Anti-Rattler	23-64-17	65	Spacer	23-14-24
27	Stop	23-64-12	66	Handle	23-14-79
28	Guide	23-64-292		Screw	23-14-79
29	Guide	23-64-197	67	Support w/Nut	23-09-47
30	Spring Nut	23-39-12	68	Channel & Bracket	23-09-51
31	Roller	23-39-45	69	Track	23-64-299
32	Stop	23-64-12	70	Handle	23-14-10
33	Link	23-18-26	71	Gasket or Seal	23-14-147
34	Link or Rod	23-18-26	72	Regulator	23-39-5
35	Striker	23-08-60	73	Spacer	23-14-24
	Washer	23-08-60	74	Handle	23-14-18
36	Weatherstrip, Outer	23-63-15		Screw	23-14-18
37	Gasket	23-09-54	75	Seal	23-18-37
38	Bracket w/Guide	23-09-52	76	Rod	23-64-40
39	Clip	23-18-29	77	Retainer	23-64-44
40	Rivet	23-09-52	78	Nut w/Washer	23-64-40

PARTS INDICATED BY NAME ONLY - ORDER BY DESCRIPTION

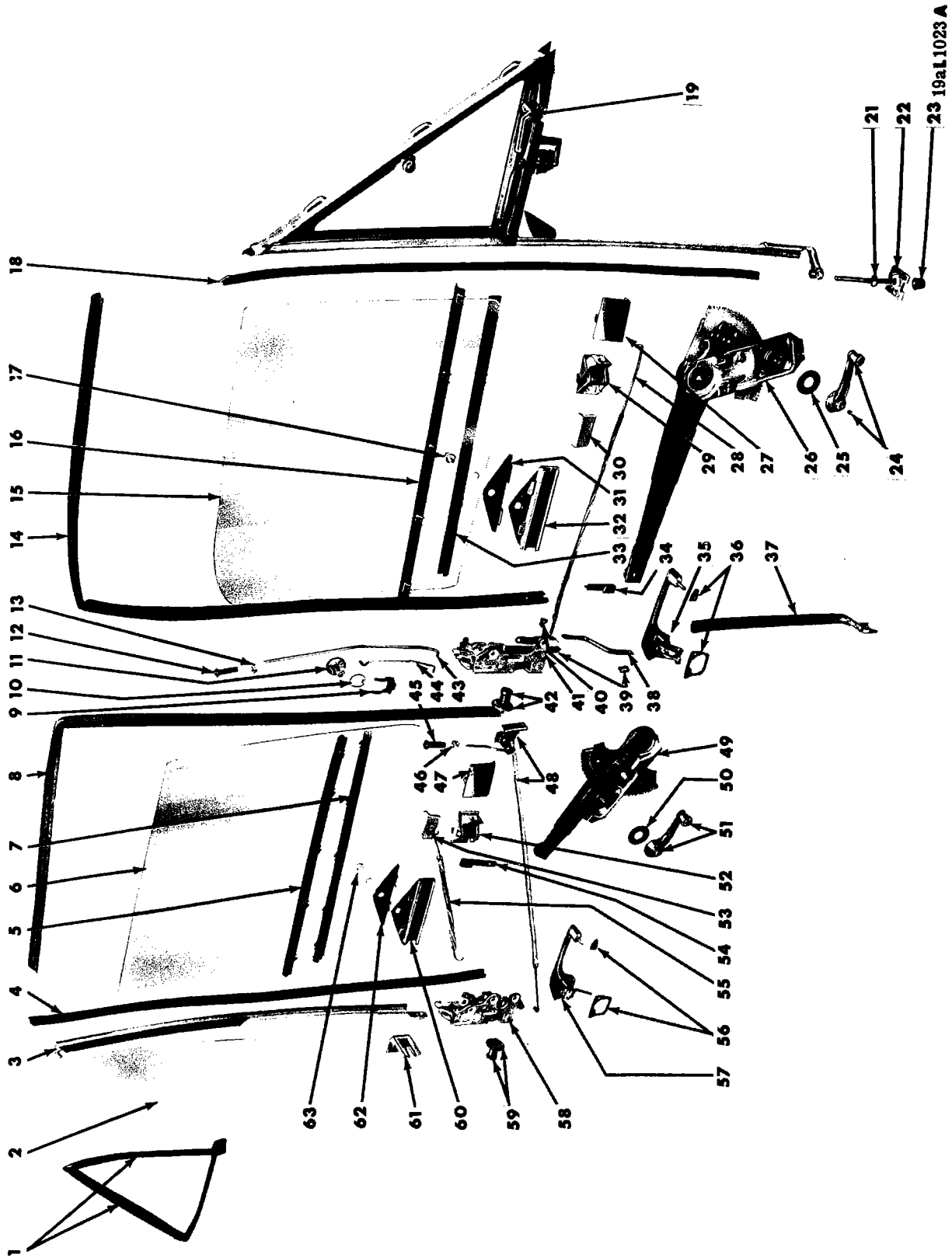


DOOR AND QUARTER WINDOW REGULATORS AND RUNS - VALLANT 2 DOOR SEDAN

DOOR AND QUARTER WINDOW REGULATORS AND RUNS - VALIANT 2 DOOR SEDAN

Ref. No.	Name	Part Type Code	Ref. No.	Name	Part Type Code
1	Run	23-42-38	26	Clip	23-18-29
2	Gasket	23-17-27	27	Clip	23-18-29
3	Cylinder & Key Package	23-17-2	28	Link	23-18-20
4	Knob Package	23-18-27	29	Handle	23-14-10
5	Escutcheon	23-18-49	30	Gasket or Seal	23-14-147
6	Run	23-42-16	31	Support w/Nut	23-09-47
7	Glass	23-64-308	32	Handle	23-14-79
8	Rivet	23-09-52		Screw	23-14-79
9	Weatherstrip	23-63-14	33	Spacer	23-14-24
10	Gasket	23-09-54	34	Clip	23-18-29
11	Bracket w/Guide	23-09-52	35	Latch	23-18-5
12	Seal	23-18-37	36	Striker	23-08-60
13	Remote Control	23-18-13		Washer	23-08-60
14	Weatherstrip	23-63-15	37	Link or Rod	23-18-26
15	Handle	23-14-27	38	Link	23-18-26
16	Run	23-42-13	39	Retainer	23-17-28
17	Handle Package	23-14-53	40	Bushing	23-39-17
18		41	Regulator	23-39-34
19	Rod	23-64-40	42	Bracket	23-39-48
20	Retainer	23-64-44	43	Clip	23-39-53
21	Nut w/Washer	23-64-40	44	Bracket w/Guide	23-09-9
22	Spacer	23-14-24	45	Gasket	23-09-54
23	Handle	23-14-18	46	Rivet	23-09-9
	Screw	23-14-18	47	Weatherstrip	23-63-21
24	Regulator	23-39-5	48	Weatherstrip	23-63-20
25	Link w/Sleeve	23-18-11	49	Glass	23-64-311

PARTS INDICATED BY NAME ONLY - ORDER BY DESCRIPTION

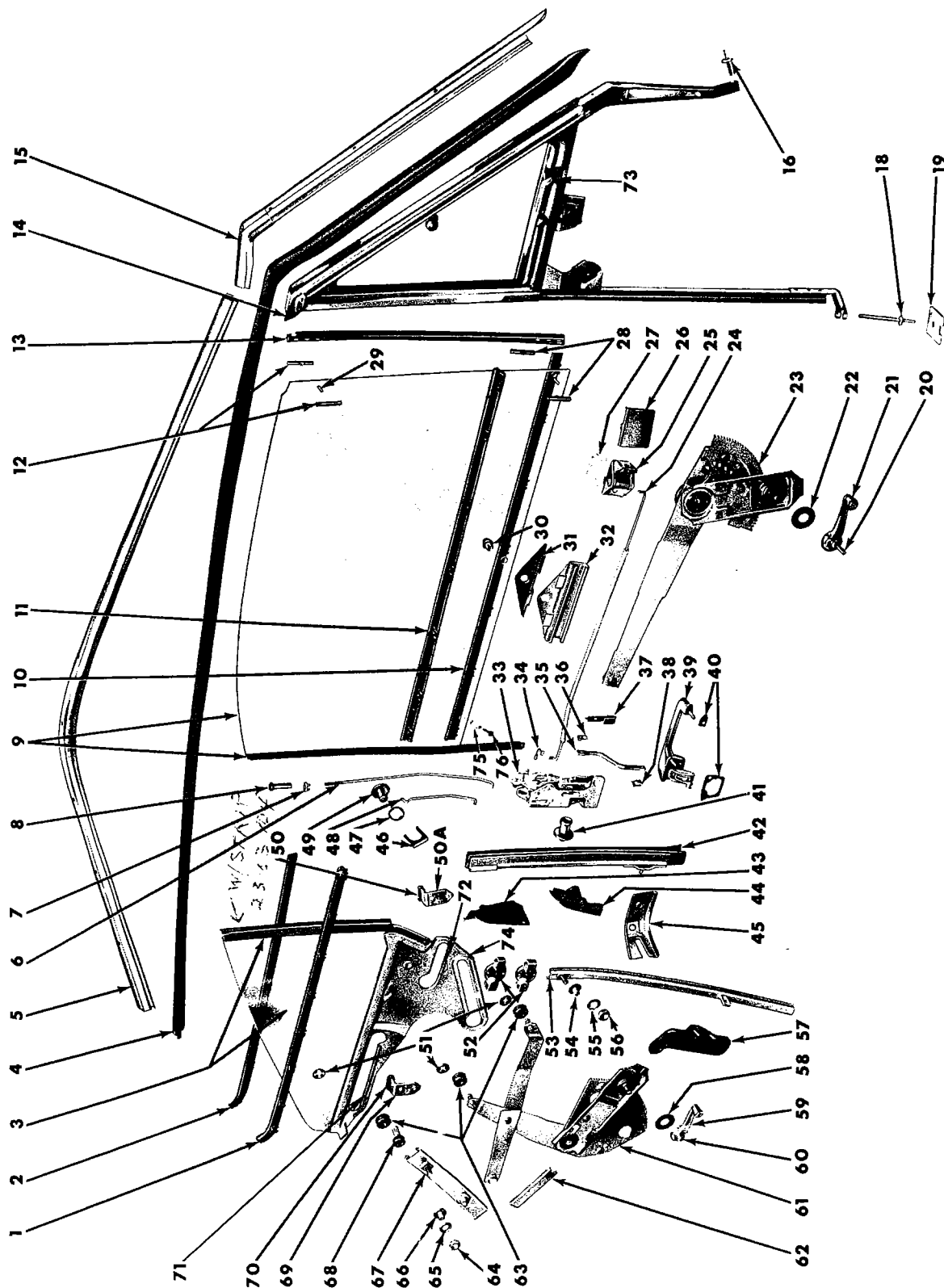


DOOR WINDOW REGULATORS AND RUNS - VALIANT AND DART 4 DOOR SEDAN

DOOR WINDOW REGULATORS AND RUNS - VALIANT AND DART 4 DOOR SEDAN

Ref. No.	Name	Part Type Code	Ref. No.	Name	Part Type Code
1	Weatherstrip	23-63-97	34	Retainer or Clip	23-18-29
2	Glass	23-64-308	35	Handle	23-14-10
3	Channel w/Lower Bracket	23-09-56	36	Gasket or Seal	23-14-147
4	Run	23-42-13	37	Channel w/Nut	23-09-51
5	Weatherstrip	23-63-14	38	Link	23-18-20
6	Glass	23-64-308	39	Clip	23-18-29
7	Weatherstrip	23-63-15	40	Clip	23-18-29
8	Run	23-42-23	41	Latch	23-18-5
9	Retainer	23-17-28	42	Striker	23-08-60
10	Gasket	23-17-27		Washer	23-08-60
11	Cylinder & Key Package	23-17-2	43	Link or Rod	23-18-26
12	Knob Package	23-18-27	44	Link	23-18-26
13	Escutcheon	23-18-49	45	Knob Package	23-18-27
14	Run	23-42-16	46	Escutcheon	23-18-49
15	Glass	23-64-308	47	Handle	23-14-27
16	Weatherstrip	23-63-14	48	Control w/Link	23-18-25
17	Rivet	23-09-52	49	Regulator	23-39-5
18	Run	23-42-13	50	Spacer	23-14-24
19	Handle Package	23-14-53	51	Handle	23-14-18
20			Screw	23-14-18
21	Rod	23-64-40	52	Remote Control	23-18-13
22	Retainer	23-64-44	53	Seal	23-18-37
23	Nut w/Washer	23-64-40	54	Clip	23-18-29
24	Handle	23-14-18	55	Link w/Sleeve	23-18-11
	Screw	23-14-18	56	Gasket or Seal	23-14-147
25	Spacer	23-14-24	57	Handle	23-14-10
26	Regulator	23-39-5	58	Latch	23-18-5
27	Handle	23-14-27	59	Striker	23-08-60
28	Link w/Sleeve	23-18-11		Washer	23-08-60
29	Remote Control	23-18-13	60	Bracket w/Guide	23-09-58
30	Seal	23-18-37	61	Support w/Nut	23-64-273
31	Gasket	23-09-54	62	Gasket	23-09-54
32	Bracket w/Guide	23-09-52	63	Rivet	23-09-58
33	Weatherstrip	23-63-15			

PARTS INDICATED BY NAME ONLY - ORDER BY DESCRIPTION



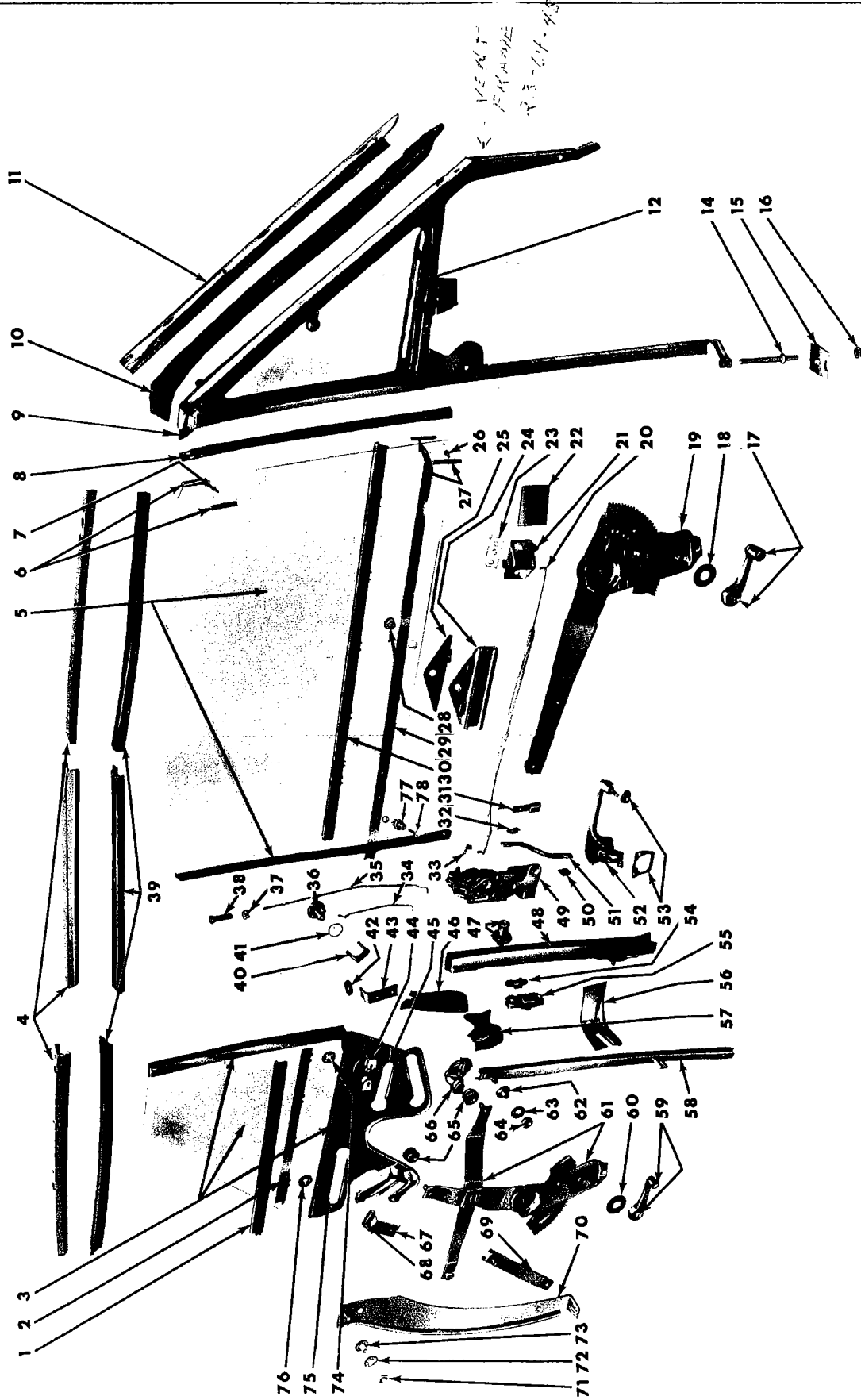
19aL1026C

DOOR AND QUARTER WINDOW REGULATORS AND RUNS - BARRACUDA AND DART 2 DOOR HARDTOP

DOOR AND QUARTER WINDOW REGULATORS AND RUNS -
BARRACUDA AND DART 2 DOOR HARDTOP

Ref. No.	Name	Part Type Code	Ref. No.	Name	Part Type Code
1	Weatherstrip	23-63-20	40	Gasket or Seal	23-14-147
2	Weatherstrip	23-63-21	41	Striker	23-08-60
3	Glass w/Front Frame	23-64-311	42	Channel & Bracket	23-09-51
4	Weatherstrip	23-63-33	43	Seal	23-63-33
5	Retainer	23-63-55	44	Seal	23-63-33
6	Link or Rod	23-18-26	45	Support w/Nut	23-09-47
7	Escutcheon	23-18-49	46	Retainer	23-17-28
8	Knob Package	23-18-27	47	Gasket	23-17-27
9	Glass w/Rear Frame	23-64-308	48	Link	23-18-26
10	Weatherstrip	23-63-15	49	Cylinder & Key Package	23-17-2
11	Weatherstrip	23-63-14	50	Anti-Rattler	23-64-17
12	Slide	23-64-282	50A	Stop	23-64-12
13	Weatherstrip Package	23-63-33	51	Spring Nut	23-39-12
14	Bumper	23-64-71	52	Bracket w/Roller	23-64-269
15	Retainer	23-63-55	53	Track	23-64-299
16	Stud	23-64-40	54	Sleeve Nut	23-64-297
17		55	Washer	
18	Rod	23-64-40	56	Nut	
19	Retainer	23-64-44	57	Brace	23-64-281
20	Screw	23-14-18	58	Spacer	23-14-24
21	Handle	23-14-18	59	Handle	23-14-79
22	Spacer	23-14-24	60	Screw	23-14-79
23	Regulator	23-39-5	61	Regulator	23-39-34
24	Link w/Sleeve	23-18-11	62	Bracket	23-39-48
25	Remote Control	23-18-13	63	Roller	23-39-45
26	Handle	23-14-27	64	Nut	
27	Seal	23-18-37	65	Spring Washer	
28	Slide	23-64-282	66	Sleeve Nut	23-64-297
29	Pin	23-64-286	67	Track	23-64-299
30	Rivet	23-09-52	68	Slide	23-64-282
31	Gasket	23-09-54	69	Stop	23-64-12
32	Bracket w/Guide	23-09-52	70	Anti-Rattler	23-64-17
33	Latch	23-18-5	71	Cap	23-09-27
34	Clip	23-18-29	72	Cap	23-09-27
35	Link	23-18-20	73	Handle Package	23-14-53
36	Clip	23-18-29	74	Frame w/Cap	23-09-9
37	Clip	23-18-29	75	Stop	23-64-12
38	Clip	23-18-29	76	Screw	23-64-12
39	Handle	23-14-10			

PARTS INDICATED BY NAME ONLY - ORDER BY DESCRIPTION



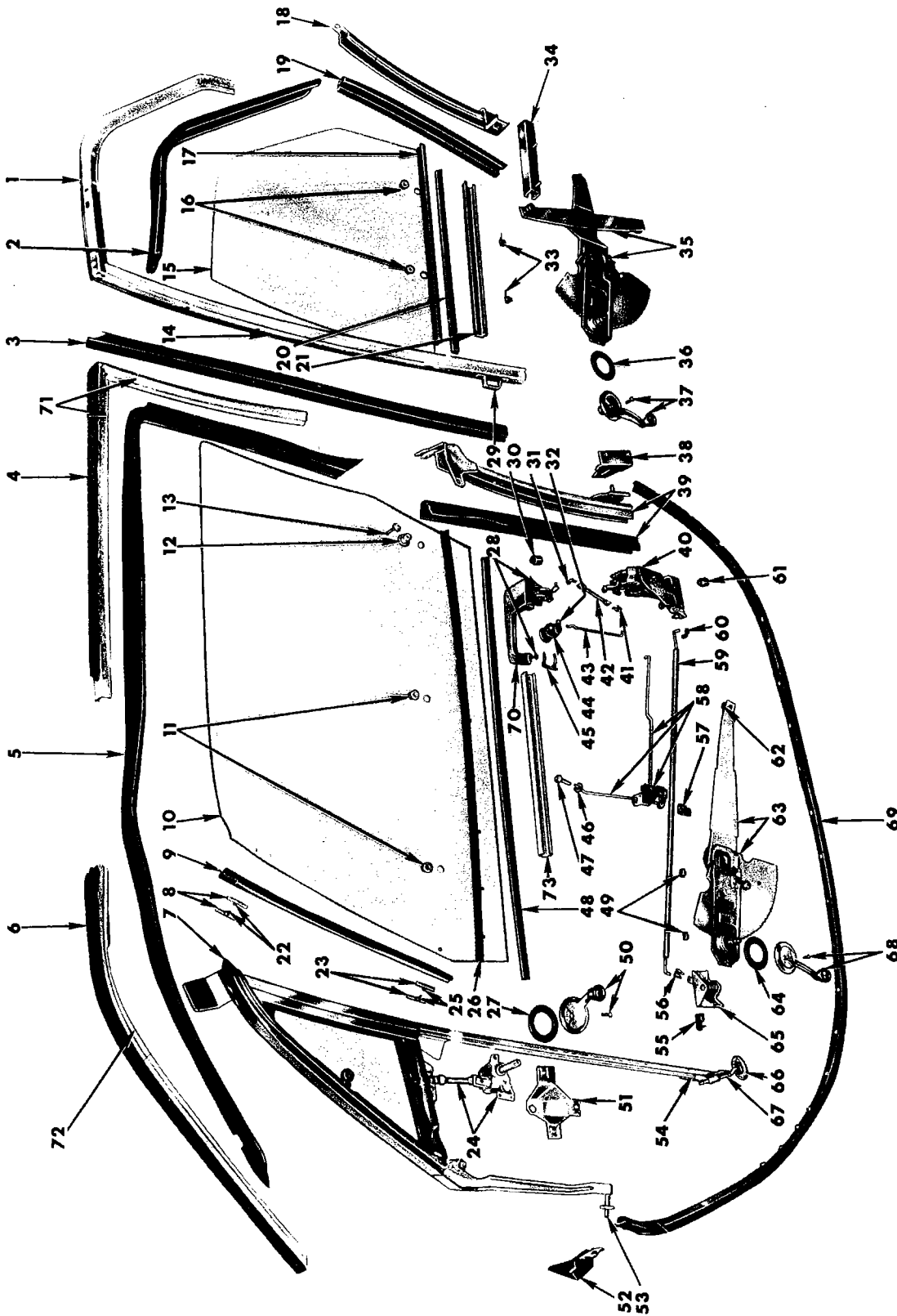
19a11024A

DOOR AND QUARTER WINDOW REGULATORS AND RUNS - BARRACUDA AND DART CONVERTIBLE COUPE

DOOR AND QUARTER WINDOW REGULATORS AND RUNS -
BARRACUDA AND DART CONVERTIBLE COUPE

Ref. No.	Name	Part Type Code	Ref. No.	Name	Part Type Code
1	Weatherstrip	23-63-20	40	Retainer	23-17-28
2	Weatherstrip	23-63-21	41	Gasket	23-17-27
3	Glass w/Frame	23-64-311	42	Anti-Rattler	23-64-17
4	Retainer	23-58-573	43	Stop	23-64-12
5	Glass w/Frame	23-64-308	44	Bracket w/Roller & Guide	23-64-269
6	Slide	23-64-282	45	Cap	23-09-27
7	Pin	23-64-286	46	Seal	23-63-33
8	Weatherstrip Package	23-63-33	47	Striker	23-08-60
9	Bumper	23-64-71		Washer	23-08-60
10	Weatherstrip	23-63-33	48	Channel & Bracket	23-09-51
11	Retainer	23-63-55	49	Latch	23-18-5
12	Handle Package	23-14-53	50	Clip	23-18-29
13		51	Link	23-18-20
14	Rod	23-64-40	52	Handle	23-14-10
15	Retainer	23-64-44	53	Gasket or Seal	23-14-147
16	Nut w/Washer	23-64-40	54	Striker	23-08-12
17	Handle	23-14-18	55	Wedge	23-08-12
	Screw	23-14-18	56	Support w/Nut	23-09-47
18	Spacer	23-14-24	57	Seal	23-63-33
19	Regulator	23-39-5	58	Track	23-64-299
20	Link w/Sleeve	23-18-11	59	Handle	23-14-79
21	Remote Control	23-18-13		Screw	23-14-79
22	Handle	23-14-27	60	Spacer	23-14-24
23	Seal	23-18-37	61	Regulator	23-39-34
24	Bracket w/Guide	23-09-52	62	Sleeve Nut	23-64-297
25	Gasket	23-09-54	63	Washer	
26	Pin	23-64-286	64	Nut	
27	Slide	23-64-282	65	Roller	23-39-45
28	Rivet	23-09-52	66	Bracket w/Roller & Guide	23-64-269
29	Weatherstrip	23-63-15	67	Stop	23-64-12
30	Weatherstrip	23-63-14	68	Anti-Rattler	23-64-17
31	Clip	23-18-29	69	Bracket	23-39-48
32	Clip	23-18-29	70	Track	23-64-198
33	Clip	23-18-29	71	Nut	
34	Link	23-18-26	72	Washer	
35	Link or Rod	23-18-26	73	Sleeve Nut	23-64-297
36	Cylinder & Key Package	23-17-2	74	Spring Nut	23-39-12
37	Escutcheon	23-18-49	75	Cap	23-09-27
38	Knob Package	23-18-27	76	Spring Nut	23-39-12
39	Weatherstrip	23-58-572	77	Stop	23-64-12
			78	Screw	23-64-12

PARTS INDICATED BY NAME ONLY - ORDER BY DESCRIPTION



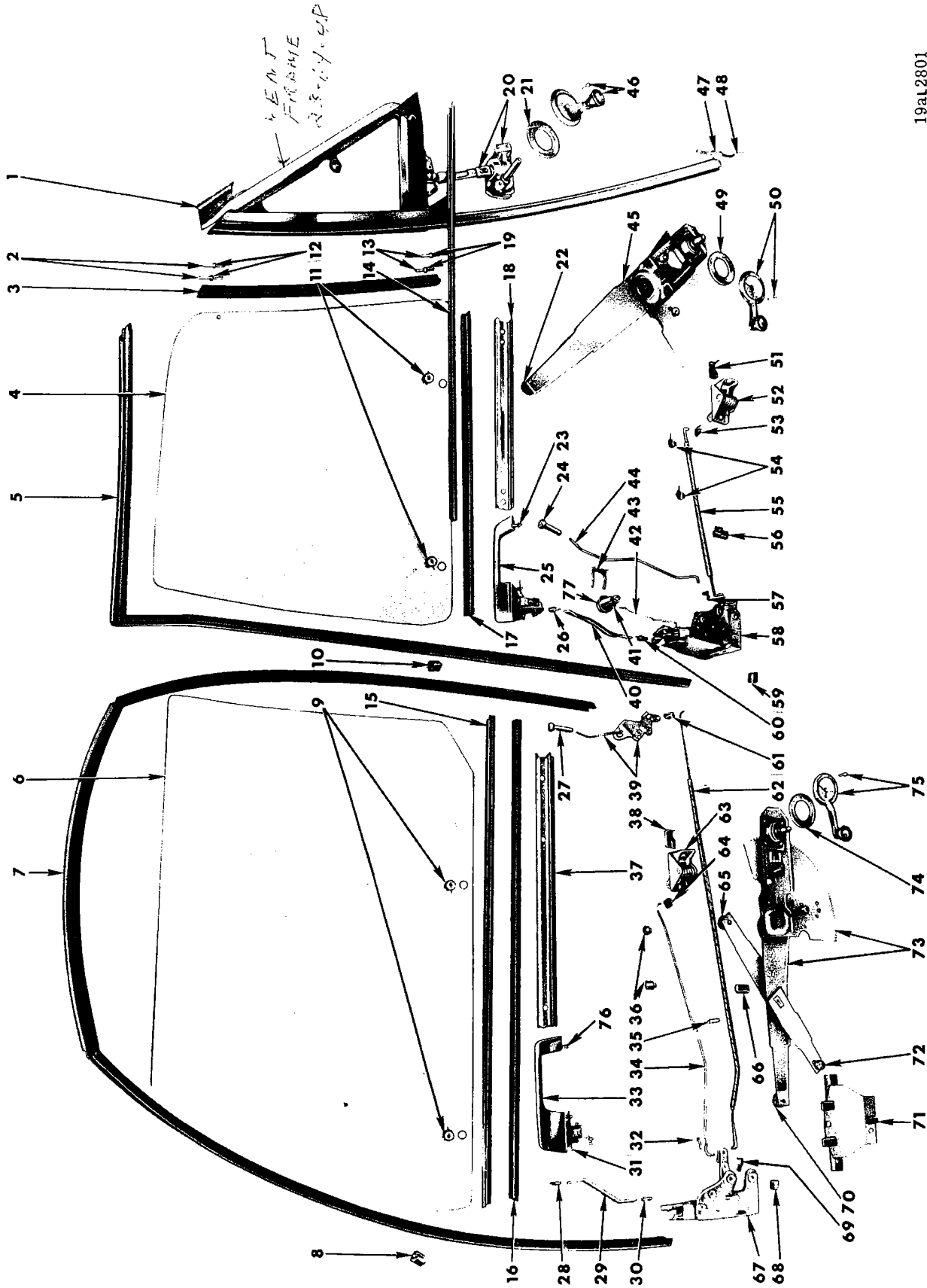
19a1 2805

WINDOW REGULATORS AND RUNS - PLYMOUTH 2 DOOR SEDAN

WINDOW REGULATORS AND RUNS -
PLYMOUTH 2 DOOR SEDAN

Ref. No.	Name	Part Type Code	Ref. No.	Name	Part Type Code
1	Retainer	23-63-136	38	Support w/Nut	23-09-47
2	Weatherstrip	23-63-100	39	Channel w/Bracket	23-09-51
3	Run	23-42-38	40	Latch	23-18-5
4	Seal	Not Serviced	41	Clip	23-18-29
5	Weatherstrip	23-63-33	42	Link	23-18-20
6	Seal	Not Serviced	43	Link	23-18-26
7	Bumper	23-64-71	44	Gasket	23-17-27
8	Slide	23-64-282	45	Retainer	23-17-28
9	Weatherstrip	23-63-33	46	Grommet	23-18-54
10	Glass	23-64-308	47	Knob Package	23-18-27
11	Fastener	23-64-272	48	Weatherstrip	23-63-14
12	Stop	23-64-12	49	Nut	23-76-16
13	Screw	23-64-12	50	Handle	23-14-53
14	Bracket w/Retainer	23-63-133	51	Spacer	23-11-12
15	Glass	23-64-311	52	Seal	23-63-33
16	Fastener	23-64-272	53	Stud	23-64-40
17	Weatherstrip	23-63-21	54	Anti-Rattler	23-64-17
18	Retainer w/Bracket	23-42-56	55	Bumper	23-18-48
19	Run	23-42-38	56	Clip	23-18-29
20	Weatherstrip	23-63-20	57	Link	23-18-29
21	Guide	23-09-9	58	Control w/Link	23-18-25
22	Pin	23-64-286		Link	23-18-26
23	Slide	23-64-282	59	Link w/Sleeve	23-18-11
24	Regulator	23-39-29	60	Clip	23-18-29
25	Pin	23-64-286	61	Bumper	23-08-12
26	Weatherstrip	23-63-15	62	Slide	23-64-282
27	Spacer	23-14-24	63	Regulator	23-39-5
28	Gasket or Seal	23-14-147	64	Spacer	23-14-24
29	Bracket	23-63-133	65	Remote Control	23-18-13
30	Bumper	23-08-12	66	Washer	23-64-40
31	Clip	23-18-29	67	Rod	23-64-40
32	Cylinder and Key Package	23-17-2	68	Handle	23-14-18
33	Nut	23-76-16	69	Weatherstrip	23-63-33
34	Bracket	23-39-48	70	Handle	23-14-10
35	Regulator	23-39-34	71	Retainer	23-63-55
36	Spacer	23-14-24	72	Retainer	23-63-55
37	Handle	23-14-79	73	Channel	23-09-52

PARTS INDICATED BY NAME ONLY - ORDER BY DESCRIPTION



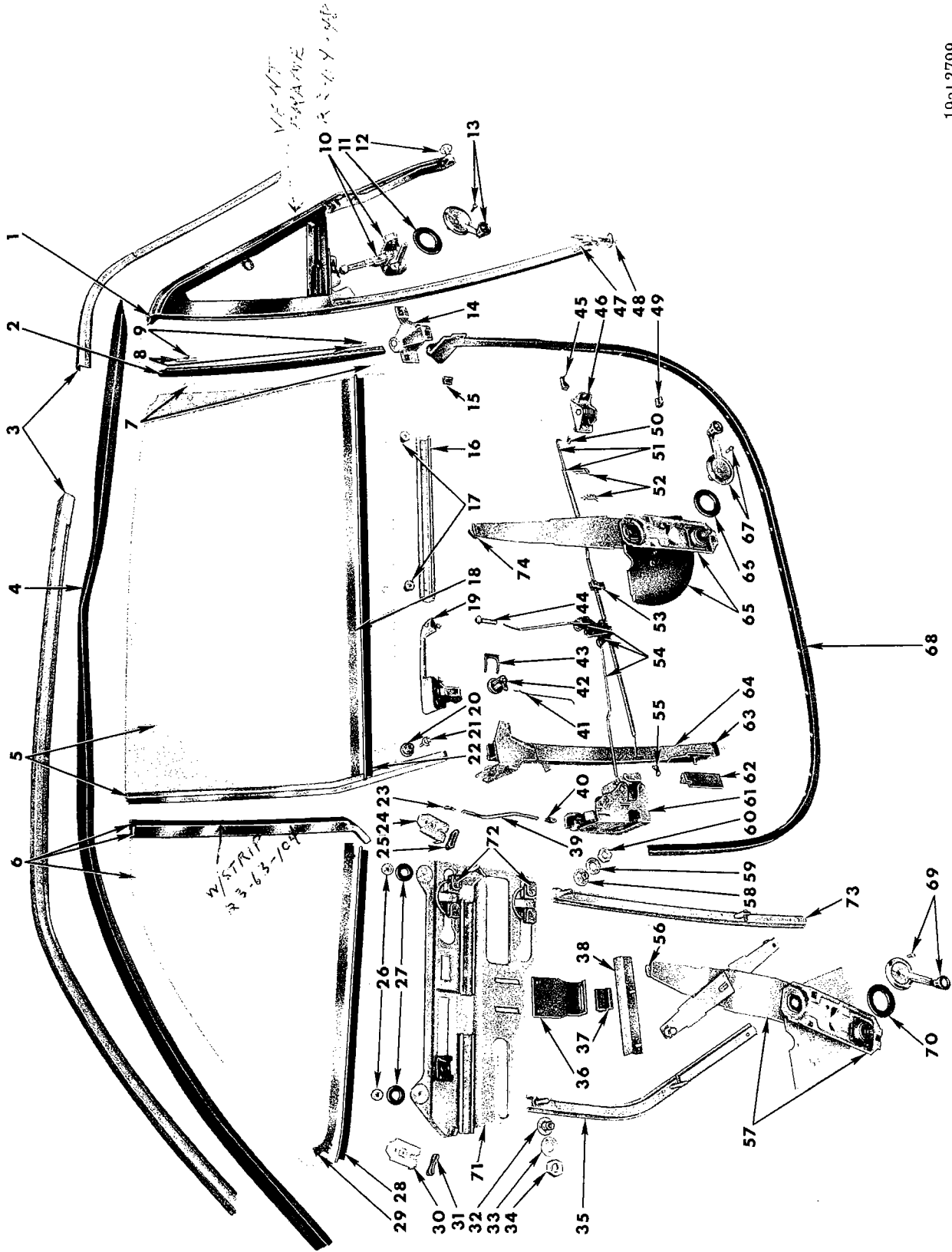
19a12801

DOOR LOCK, WINDOW REGULATORS AND RUNS - PLYMOUTH, DODGE, CHRYSLER AND IMPERIAL 4 DOOR SEDAN AND STATION WAGON

DOOR LOCK, WINDOW REGULATORS AND RUNS -
PLYMOUTH, DODGE, CHRYSLER & IMPERIAL
4 DOOR SEDAN AND STATION WAGON

Ref. No.	Name	Part Type Code	Ref. No.	Name	Part Type Code
1	Seal	23-64-74	40	Link	23-18-20
2	Slide	23-64-282	41	Cylinder and Key Package	23-17-2
3	Weatherstrip	23-63-33	42	Link	23-18-26
4	Glass	23-64-308	43	Retainer	23-17-28
5	Run	23-42-16	44	Rod	23-18-26
6	Glass	23-64-308		Rod	23-18-125
7	Run	23-42-23	45	Regulator	23-39-5
8	Bumper	23-08-12	46	Handle	23-14-53
9	Fastener	23-64-272	47	Anti-Rattler	23-64-17
10	Bumper	23-08-12	48	Rod	23-64-40
11	Fastener	23-64-272	49	Spacer	23-14-24
12	Pin	23-64-286	50	Handle	23-14-18
13	Slide	23-64-282	51	Bumper	23-18-48
14	Weatherstrip	23-63-14	52	Remote Control	23-18-13
15	Weatherstrip	23-63-14	53	Clip	23-18-29
16	Weatherstrip	23-63-15	54	Nut	23-76-16
17	Weatherstrip	23-63-15	55	Link w/Sleeve	23-18-11
18	Channel	23-09-52	56	Clip	23-18-29
19	Pin	23-64-286	57	Clip	23-18-29
20	Regulator	23-39-29	58	Latch	23-18-5
21	Spacer	23-14-24	59	Bumper	23-08-12
22	Slide	23-64-282	60	Clip	23-18-29
23	Gasket	23-14-147	61	Clip	23-18-29
24	Knob Package	23-18-27	62	Link w/Sleeve	23-18-26
25	Handle	23-14-10	63	Remote Control	23-18-13
26	Clip	23-18-29	64	Clip	23-18-29
27	Knob Package	23-18-27	65	Slide	23-64-282
28	Clip	23-18-29	66	Clip	23-18-29
29	Link	23-18-20	67	Latch	23-18-5
30	Clip	23-18-29	68	Bumper	23-08-12
31	Gasket	23-14-147	69	Clip	23-18-29
32	Clip	23-18-29	70	Slide	23-64-282
33	Handle	23-14-10	71	Bracket w/Support	23-39-19
34	Link	23-18-11	72	Roller	23-39-45
35	Spring	23-18-21	73	Regulator	23-39-5
36	Nut	23-76-16	74	Spacer	23-14-24
37	Channel	23-09-58	75	Handle	23-14-18
38	Bumper	23-18-48	76	Gasket	23-14-147
39	Control w/Link	23-18-25	77	Gasket	23-17-27

PARTS INDICATED BY NAME ONLY - ORDER BY DESCRIPTION



19a12799

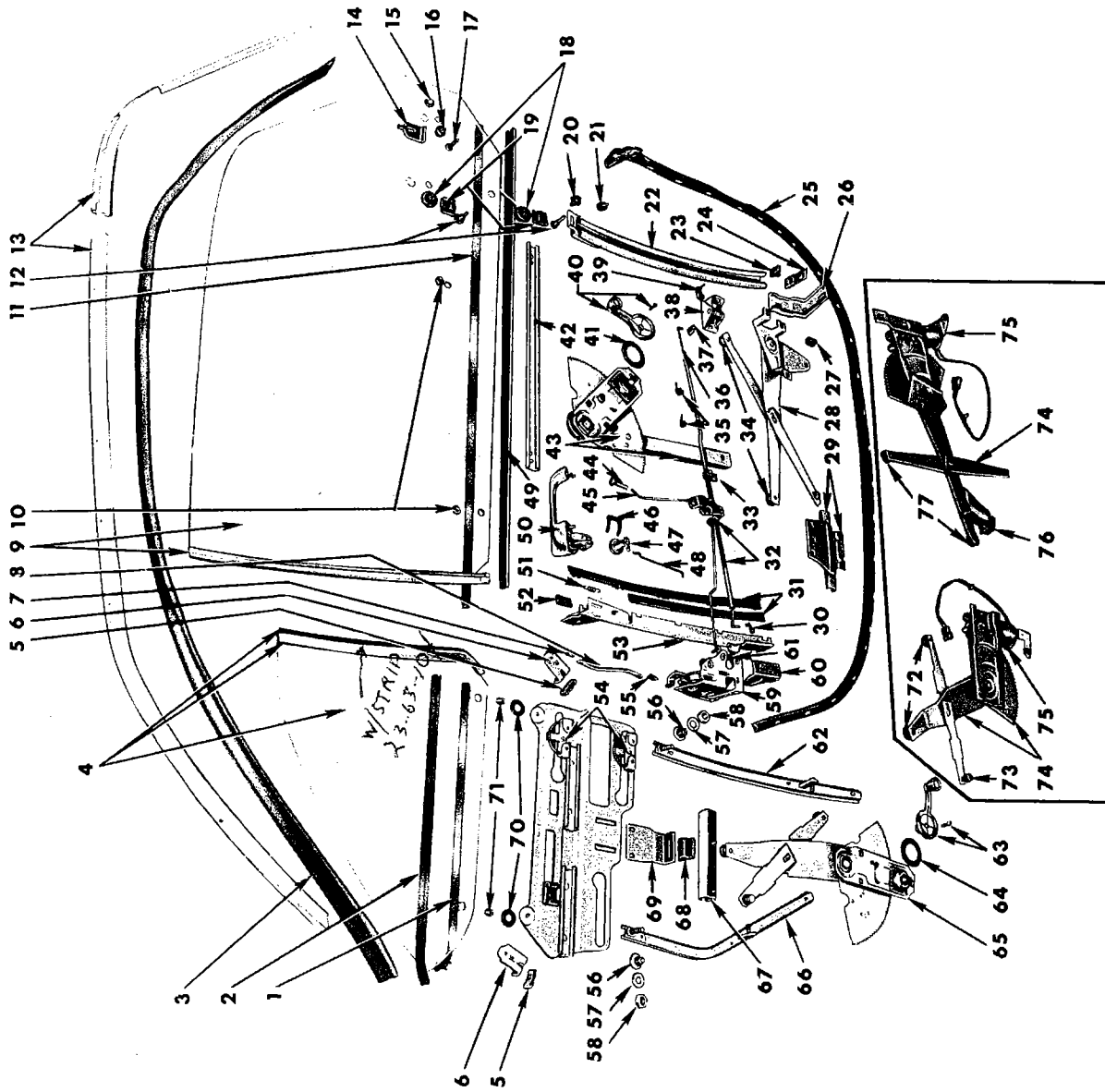
WINDOW REGULATORS AND RUNS WITH VENT WING - PLYMOUTH, DODGE, CHRYSLER AND IMPERIAL
2 DOOR HARDTOP (TYPICAL OF CONVERTIBLE COUPE)

WINDOW REGULATORS AND RUNS WITH VENT WING -
PLYMOUTH, DODGE, CHRYSLER AND IMPERIAL 2 DOOR HARDTOP
(TYPICAL OF CONVERTIBLE COUPE)

Ref. No.	Name	Part Type Code	Ref. No.	Name	Part Type Code
1	Bumper	23-64-71	38	Bracket	23-39-48
2	Weatherstrip	23-63-33	39	Link	23-18-20
3	Retainer	23-63-55	40	Clip	23-18-29
4	Weatherstrip	23-63-33	41	Link	23-18-26
5	Glass w/Rear Frame	23-64-308	42	Cylinder and Key Package	23-17-2
6	Glass w/Front Frame & W/Strip	23-64-311	43	Retainer	23-17-28
7	Slide	23-64-282	44	Knob Package	23-18-27
8	Slide	23-64-282	45	Bumper	23-18-48
9	Pin	23-64-286	46	Remote Control	23-18-13
10	Regulator	23-39-29	47	Anti-Rattler	23-64-17
11	Spacer	23-14-24	48	Rod	23-64-40
12	Stud	23-64-40	49	Bumper	23-08-12
13	Handle	23-14-53	50	Clip	23-18-29
14	Spacer and P/Nut	23-11-12	51	Link w/Sleeve	23-18-11
15	Bumper	23-08-12	52	Nut	23-76-16
16	Channel	23-09-52	53	Clip	23-18-29
17	Fastener	23-64-272	54	Control w/Link	23-18-25
18	Weatherstrip	23-63-15	55	Clip	23-18-29
19	Handle	23-14-10	56	Slide	23-64-282
20	Stop	23-64-12	57	Regulator	23-39-34
21	Screw	23-64-12	58	Sleeve Nut	23-64-297
22	Weatherstrip	23-63-14	59	Washer	23-64-299
23	Clip	23-18-29	60	Nut	
24	Stop	23-64-12	61	Latch	23-18-5
25	Anti-Rattler	23-64-17	62	Support w/Nut	23-09-47
26	Spacer	23-09-53	63	Run	23-42-16
27	Grommet	23-09-61	64	Channel w/Bracket	23-09-51
28	Weatherstrip	23-63-21	65	Regulator	23-39-5
29	Weatherstrip	23-63-20	66	Spacer	23-14-24
30	Stop	23-64-12	67	Handle	23-14-18
31	Anti-Rattler	23-64-17	68	Weatherstrip	23-63-33
32	Sleeve Nut	23-64-297	69	Handle	23-14-79
33	Washer	23-64-299	70	Spacer	23-14-24
34	Nut		71	Frame	23-09-9
35	Track	23-64-299	72	Bracket w/Roller and Guide	23-64-269
36	Stop	23-64-12	73	Track	23-64-299
37	Bumper	23-64-4	74	Slide	23-64-282

PARTS INDICATED BY NAME ONLY - ORDER BY DESCRIPTION

19a12800



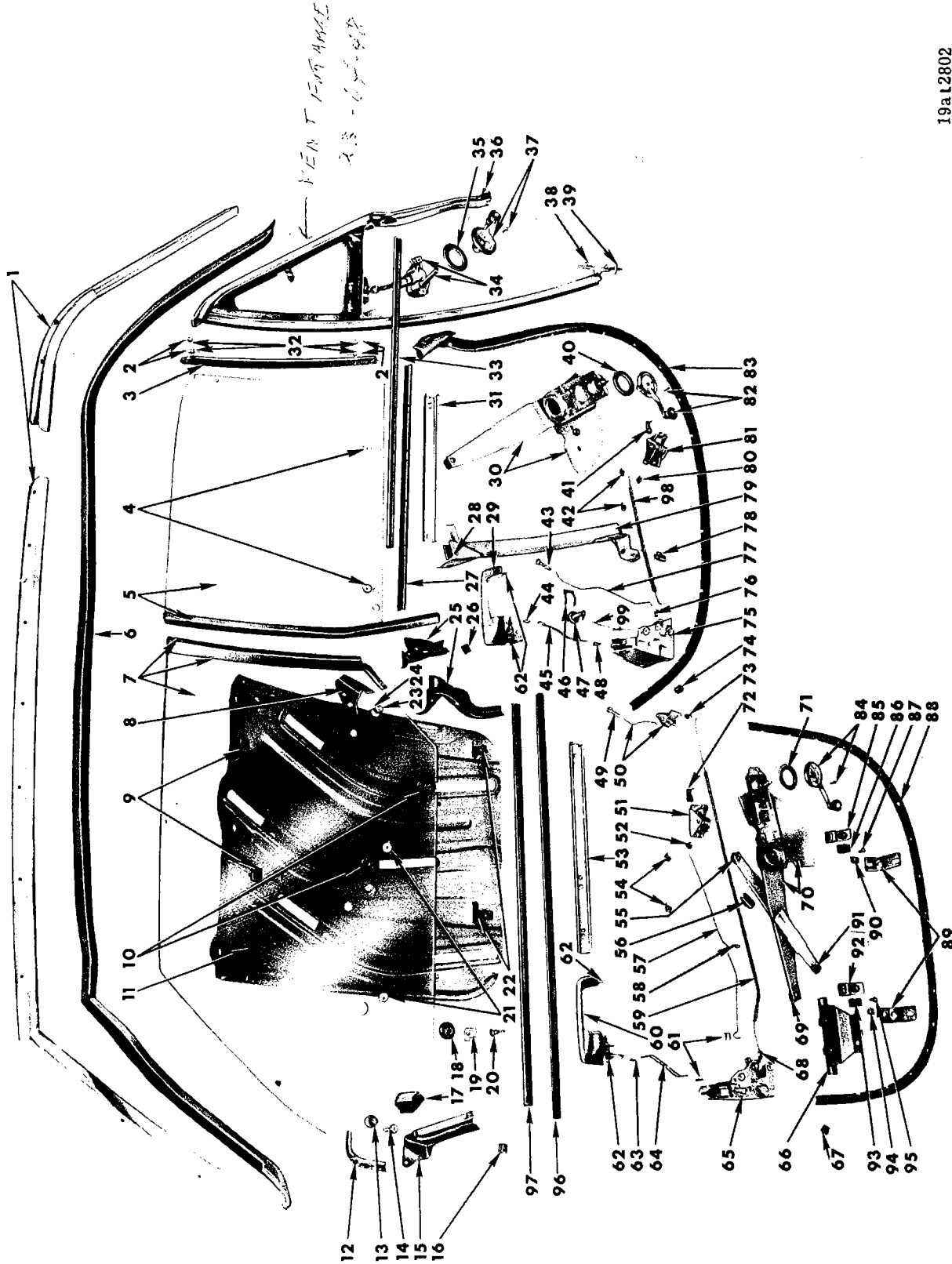
WINDOW REGULATORS AND RUNS - PLYMOUTH, DODGE, CHRYSLER AND IMPERIAL
2 DOOR HARDTOP AND FASTBACK (TYPICAL OF CONVERTIBLE COUPE)

WINDOW REGULATORS AND RUNS LESS VENT -
 PLYMOUTH, DODGE, CHRYSLER AND IMPERIAL 2 DOOR HARDTOP
 (TYPICAL OF CONVERTIBLE COUPE)

Ref. No.	Name	Part Type Code	Ref. No.	Name	Part Type Code
1	Weatherstrip	23-63-20	40	Handle	23-14-18
2	Weatherstrip	23-63-21	41	Spacer	23-14-24
3	Weatherstrip	23-63-33	42	Channel	23-09-52
4	Glass w/Front Frame & W/Strip .	23-64-311	43	Plate and Link	23-39-5
5	Anti-Rattler	23-64-17	44	Knob Package	23-18-27
6	Stop	23-64-12	45	Rod	23-18-26
7	Clip	23-18-29		Push Rod	23-18-125
8	Link	23-18-20	46	Retainer	23-17-28
9	Glass w/Rear Frame	23-64-308	47	Cylinder and Key Package	23-17-2
10	Fastener	23-64-272	48	Link	23-18-26
11	Weatherstrip	23-63-15	49	Weatherstrip	23-63-14
12	Screw	23-64-197	50	Handle	23-14-10
13	Retainer	23-63-55	51	Spring	23-64-276
14	Stop	23-64-12	52	Wedge	23-64-14
15	Screw w/Washer	23-64-12	53	Channel w/Bracket	23-09-51
16	Stop	23-64-12	54	Bracket w/Roller and Guide	23-64-269
17	Screw	23-64-12	55	Clip	23-18-29
18	Fastener	23-64-272	56	Sleeve Nut	23-64-297
19	Guide	23-64-197	57	Washer	23-64-299
20	Screw w/Washer	23-64-12	58	Nut	
21	Bumper	23-08-12	59	Latch	23-18-5
22	Track w/Upper Bracket	23-64-254	60	Support w/Nut	23-09-47
23	Bumper	23-64-266	61	Clip	23-18-29
24	Retainer w/Weld Screw	23-64-28	62	Track	23-64-299
25	Weatherstrip	23-63-33	63	Handle	23-14-79
26	Bracket	23-64-269	64	Spacer	23-14-24
27	Bumper	23-08-12	65	Regulator	23-39-34
28	Arm	23-39-5	66	Track	23-64-299
29	Bracket w/Support	23-39-19	67	Bracket	23-39-48
30	Clip	23-18-29	68	Bumper	23-64-4
31	Run	23-42-16	69	Stop	23-64-12
32	Control w/Link	23-18-25	70	Grommet	23-09-61
33	Clip	23-18-29	71	Spacer	23-09-53
34	Slide	23-64-282	72	Slide	23-64-282
35	Nut	23-76-16	73	Roller	23-41-250
36	Link w/Sleeve	23-18-11	74	Regulator	23-41-4
37	Clip	23-18-29	75	Motor and Mechanism	23-41-106
38	Remote Control	23-18-13	76	Bumper	23-64-4
39	Bumper	23-18-48	77	Slide	23-64-282

PARTS INDICATED BY NAME ONLY - ORDER BY DESCRIPTION

19aL2802

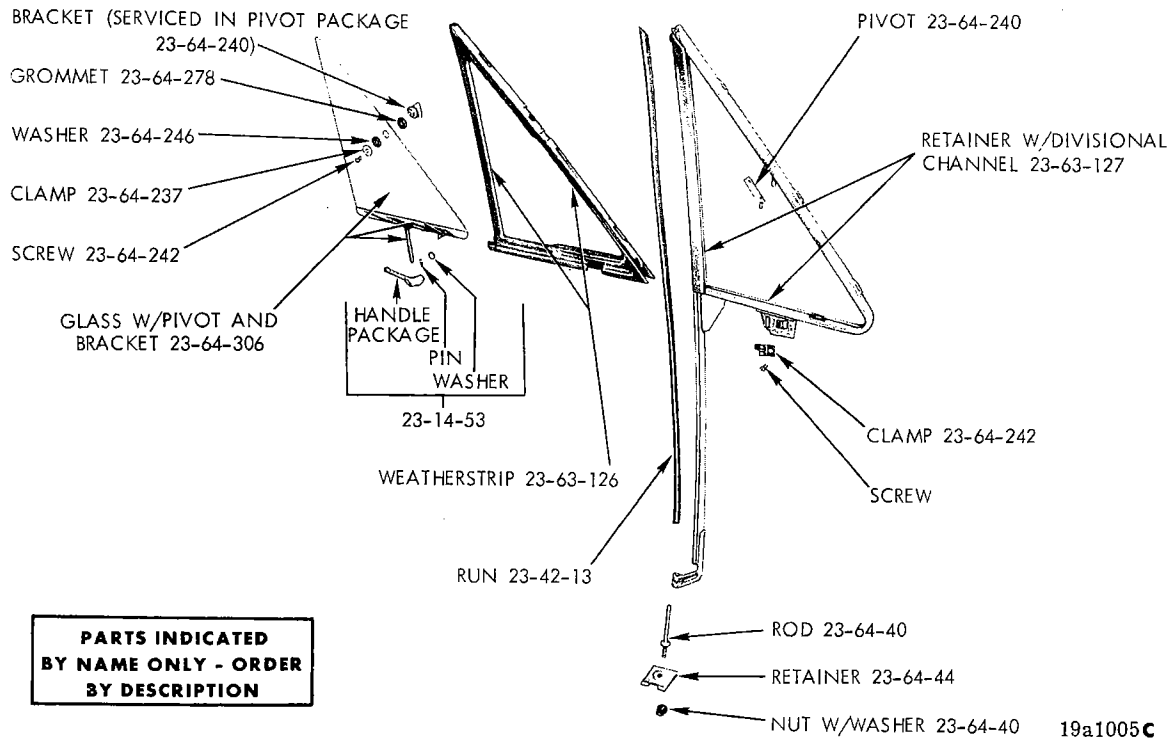


WINDOW REGULATORS AND RUNS - PLYMOUTH, DODGE, CHRYSLER AND IMPERIAL 4 DOOR HARDTOP

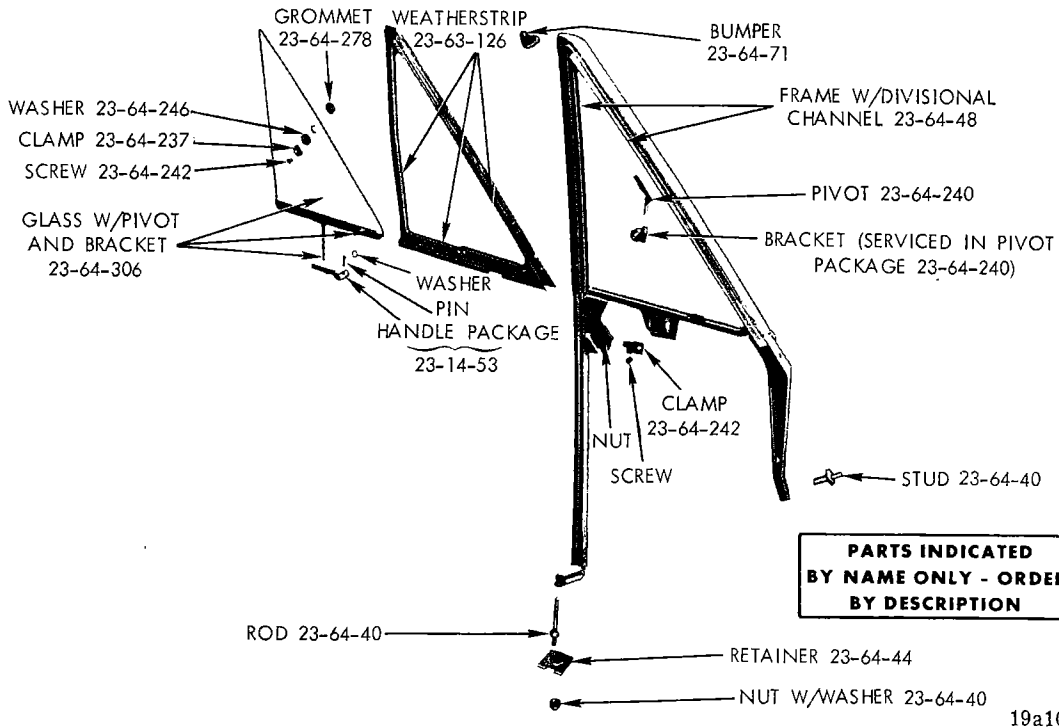
WINDOW REGULATORS AND RUNS -
PLYMOUTH, DODGE, CHRYSLER AND IMPERIAL 4 DOOR HARDTOP

Ref. No.	Name	Part Type Code	Ref. No.	Name	Part Type Code
1	Retainer	23-63-55	51	Remote Control	23-18-13
2	Slide	23-64-282	52	Clip	23-18-29
3	Weatherstrip	23-63-33	53	Channel	23-09-58
4	Fastener	23-64-272	54	Nut	23-76-16
5	Glass w/Rear Frame	23-64-308	55	Slide	23-64-282
6	Weatherstrip	23-63-33	56	Clip	23-18-29
7	Glass w/Front Frame & W/Strip	23-64-308	57	Link	23-18-11
8	Bracket	23-64-12	58	Spring	23-18-21
9	Bumper	23-64-266	59	Link w/Sleeve	23-18-26
10	Fastener	23-64-272	60	Handle	23-14-10
11	Panel w/Reinforcement	23-64-268	61	Clip	23-18-29
12	Bracket	23-64-12	62	Gasket	23-17-27
13	Stop	23-64-12	63	Clip	23-18-29
14	Screw	23-64-12	64	Link	23-18-20
15	Seal	23-63-33	65	Latch	23-18-5
16	Bumper	23-08-12	66	Bracket w/Support	23-39-19
17	Bumper		67	Bumper	23-08-12
18	Fastener	23-64-272	68	Clip	23-18-29
19	Guide	23-64-197	69	Slide	23-64-282
20	Screw	23-64-197	70	Regulator	23-39-5
21	Fastener	23-64-272	71	Spacer	23-14-24
22	Nut		72	Bumper	23-18-48
23	Screw	23-64-12	73	Clip	23-18-29
24	Stop	23-64-12	74	Bumper	23-08-12
25	Seal	23-63-33	75	Latch	23-18-5
26	Bumper	23-08-12	76	Clip	23-18-29
27	Weatherstrip	23-63-15	77	Rod	23-18-26
28	Run	23-42-16		Rod	23-18-125
29	Handle	23-14-10	78	Clip	23-18-29
30	Regulator	23-39-5	79	Channel w/Bracket	23-09-51
31	Channel	23-09-52	80	Clip	23-18-29
32	Pin	23-64-286	81	Remote Control	23-18-13
33	Weatherstrip	23-63-14	82	Handle	23-14-18
34	Regulator	23-39-29	83	Weatherstrip	23-63-33
35	Spacer	23-14-24	84	Handle	23-14-18
36	Stud	23-64-40	85	Retainer	23-64-28
37	Handle	23-14-53	86	Bumper	23-64-266
38	Anti-Rattler	23-64-17	87	Screw	
39	Rod	23-64-40	88	Weatherstrip	23-63-33
40	Spacer	23-14-24	89	Bracket	23-64-28
41	Bumper	23-18-48	90	Nut	
42	Nut	23-76-16	91	Roller	23-39-45
43	Knob Package	23-18-27	92	Retainer	23-64-28
44	Clip	23-18-29	93	Bumper	23-64-266
45	Link	23-18-20	94	Nut	
46	Retainer	23-17-28	95	Screw	
47	Cylinder and Key Package	23-17-2	96	Weatherstrip	23-63-14
48	Clip	23-18-29	97	Weatherstrip	23-63-15
49	Knob Package	23-18-27	98	Link w/Sleeve	23-18-11
50	Control w/Link	23-18-25	99	Link	23-18-26

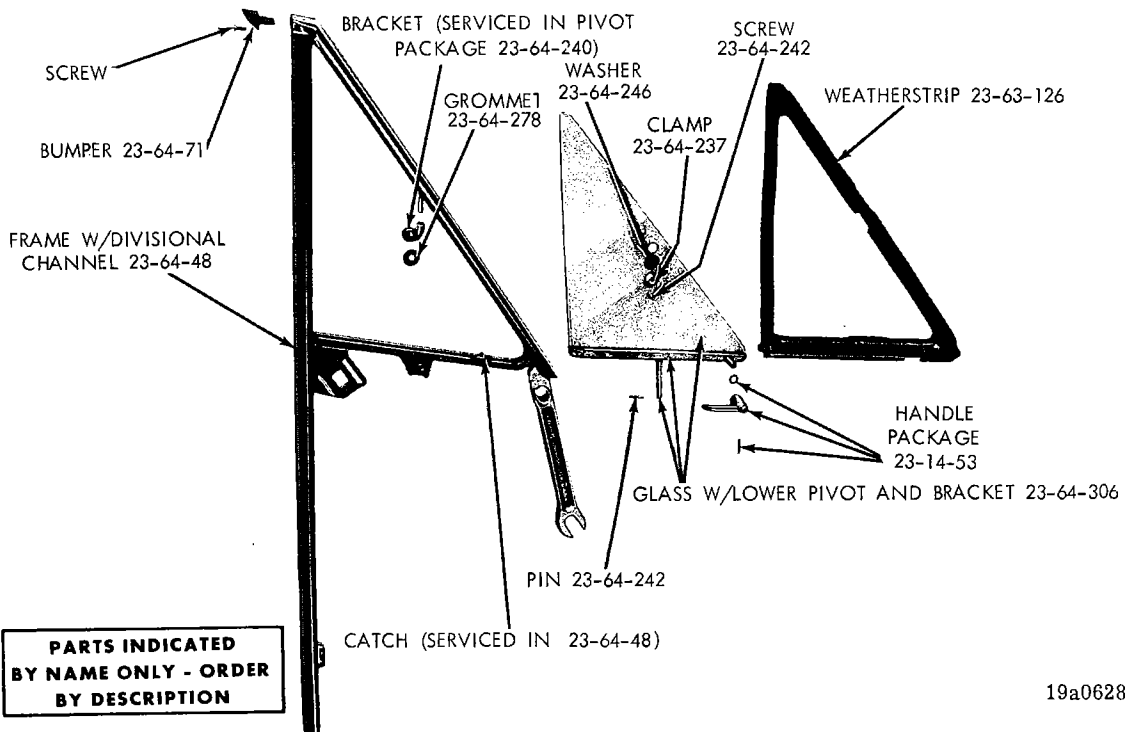
PARTS INDICATED BY NAME ONLY - ORDER BY DESCRIPTION



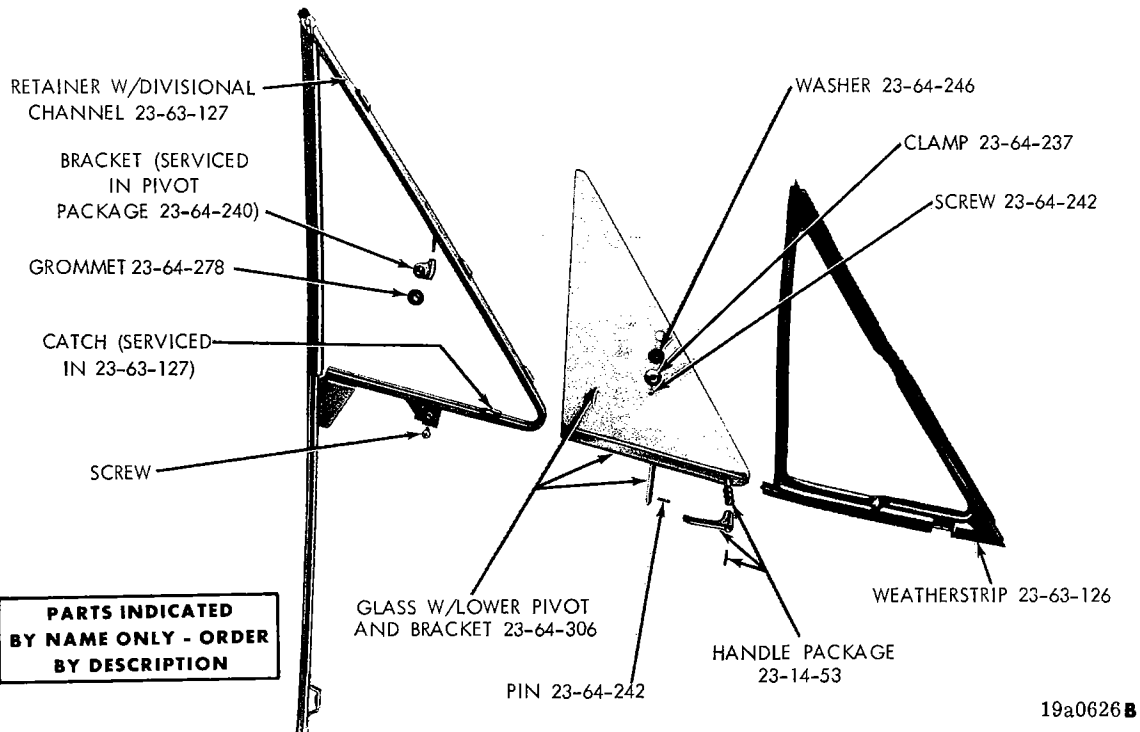
DOOR VENT WING AND GLASS - VALIANT AND DART
2 DOOR SEDAN AND 4 DOOR SEDAN



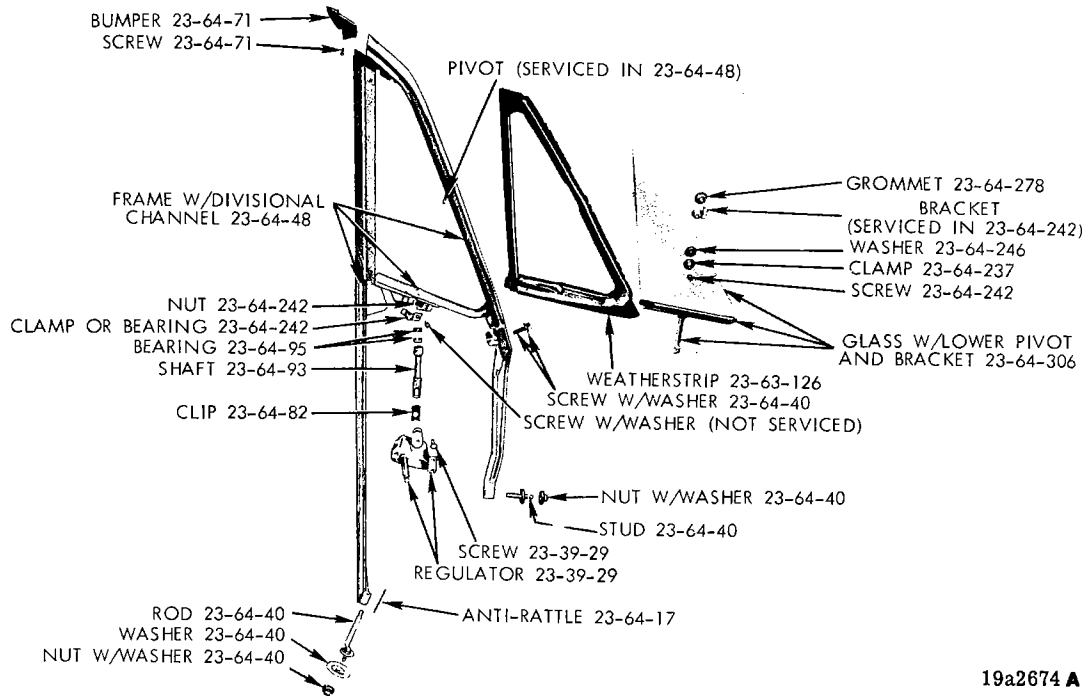
DOOR VENT WING AND GLASS - BARRACUDA AND DART
2 DOOR HARDTOP AND CONVERTIBLE COUPE



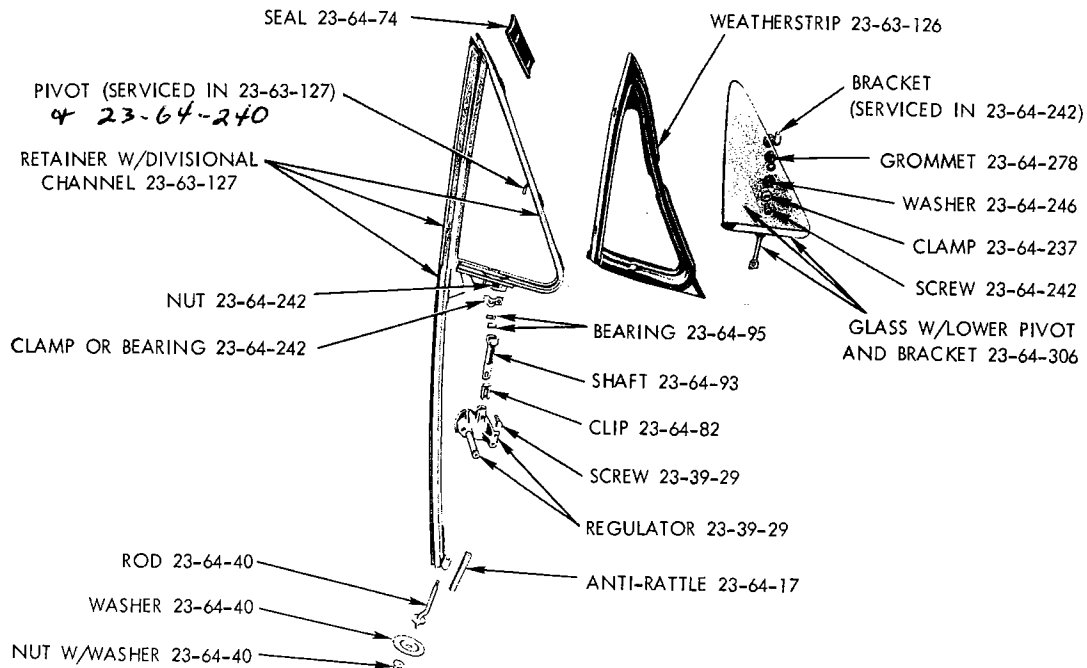
FRONT DOOR VENT WING AND GLASS - BELVEDERE AND CORONET
2 DOOR SEDAN, 2 DOOR HARDTOP AND CONVERTIBLE COUPE



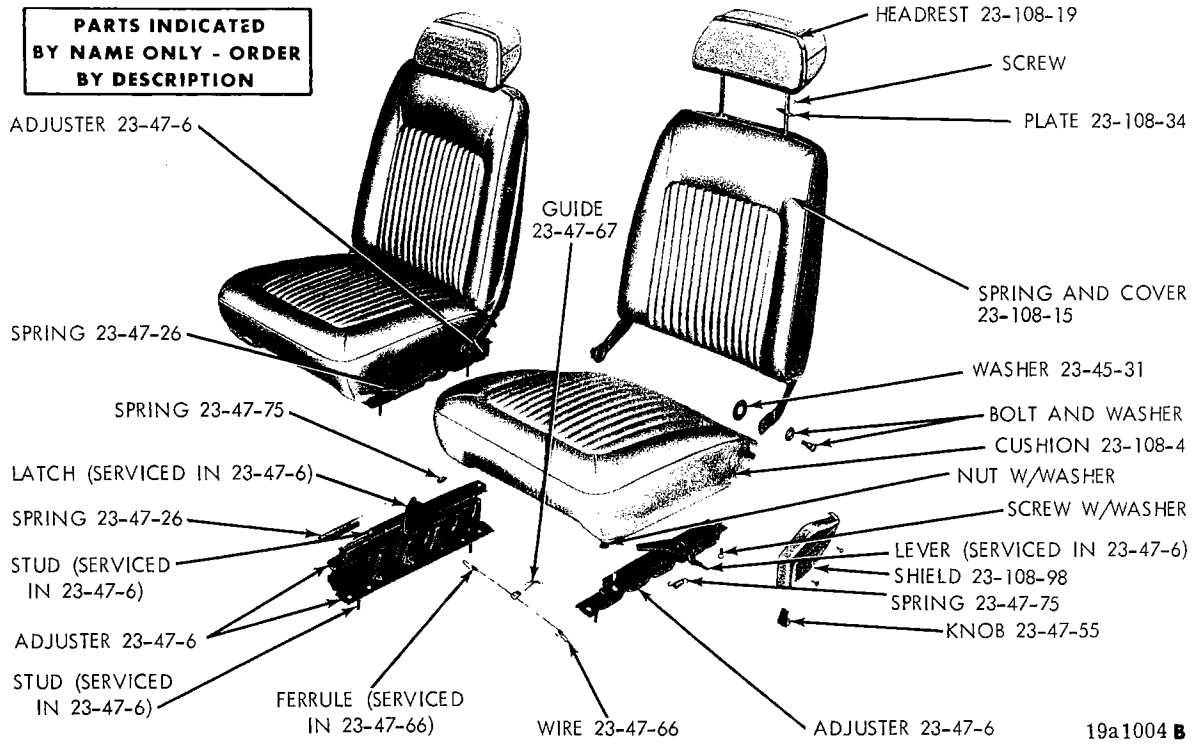
FRONT DOOR VENT WING AND GLASS - BELVEDERE AND CORONET
4 DOOR SEDAN AND STATION WAGON



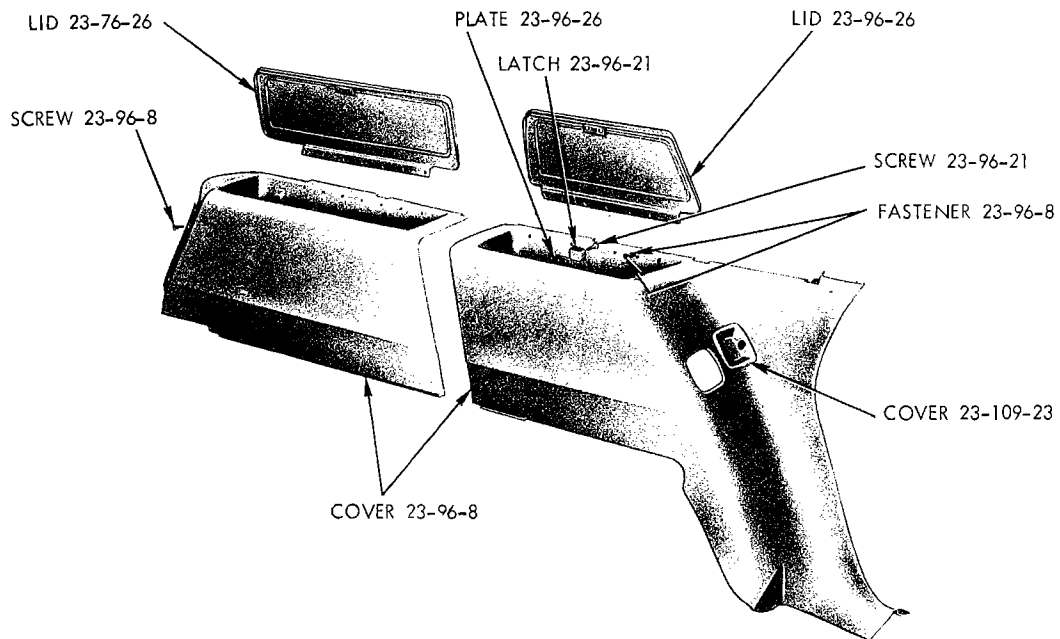
FRONT DOOR VENT WING AND GLASS - PLYMOUTH, DODGE, CHRYSLER AND IMPERIAL 2 DOOR SEDAN, 2 DOOR HARDTOP, CONVERTIBLE COUPE, FASTBACK AND 4 DOOR HARDTOP



FRONT DOOR VENT WING AND GLASS - PLYMOUTH, DODGE, CHRYSLER AND IMPERIAL 4 DOOR SEDAN AND STATION WAGON

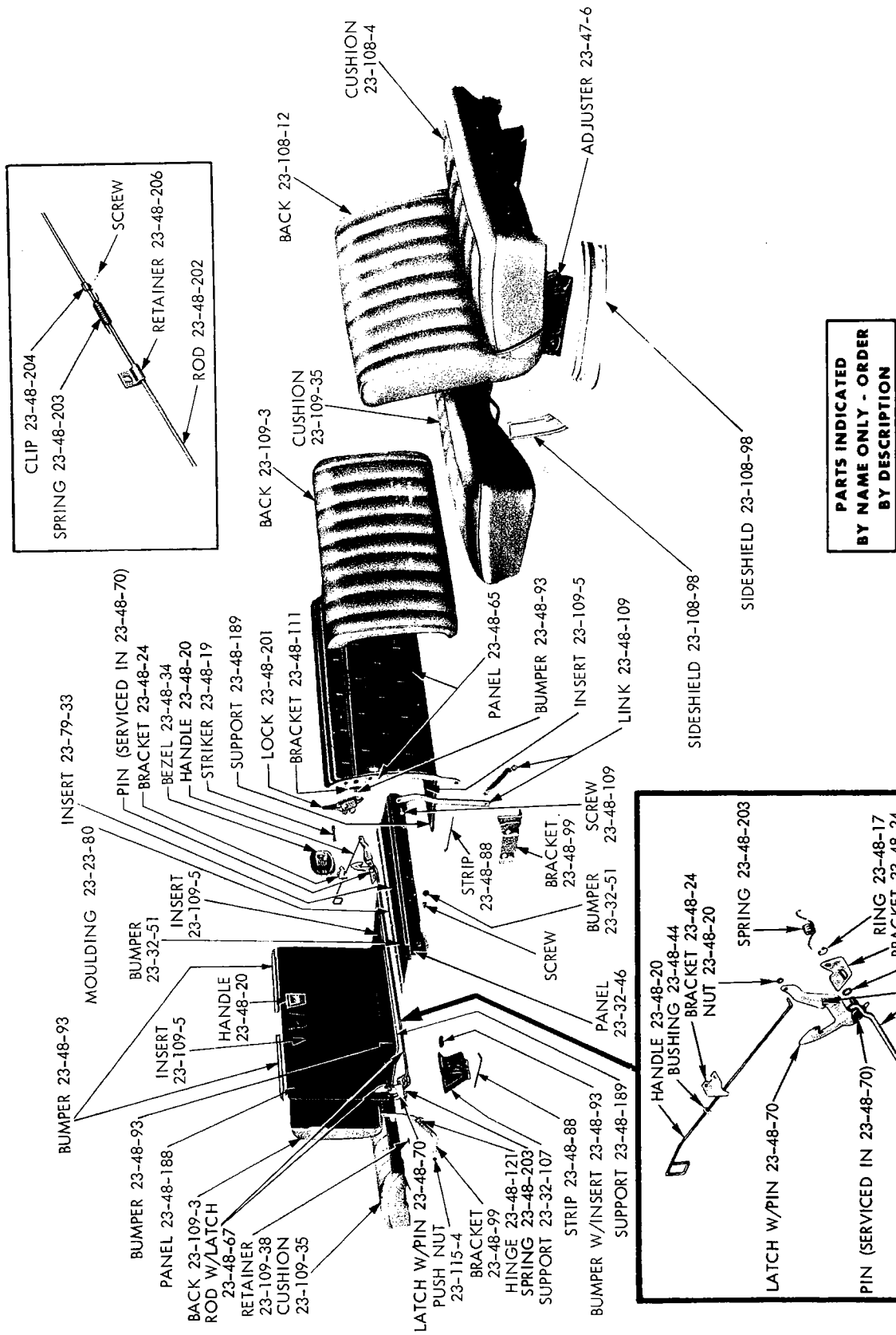


MANUAL BUCKET SEATS - VALIANT, DART AND BARRACUDA



19a2779

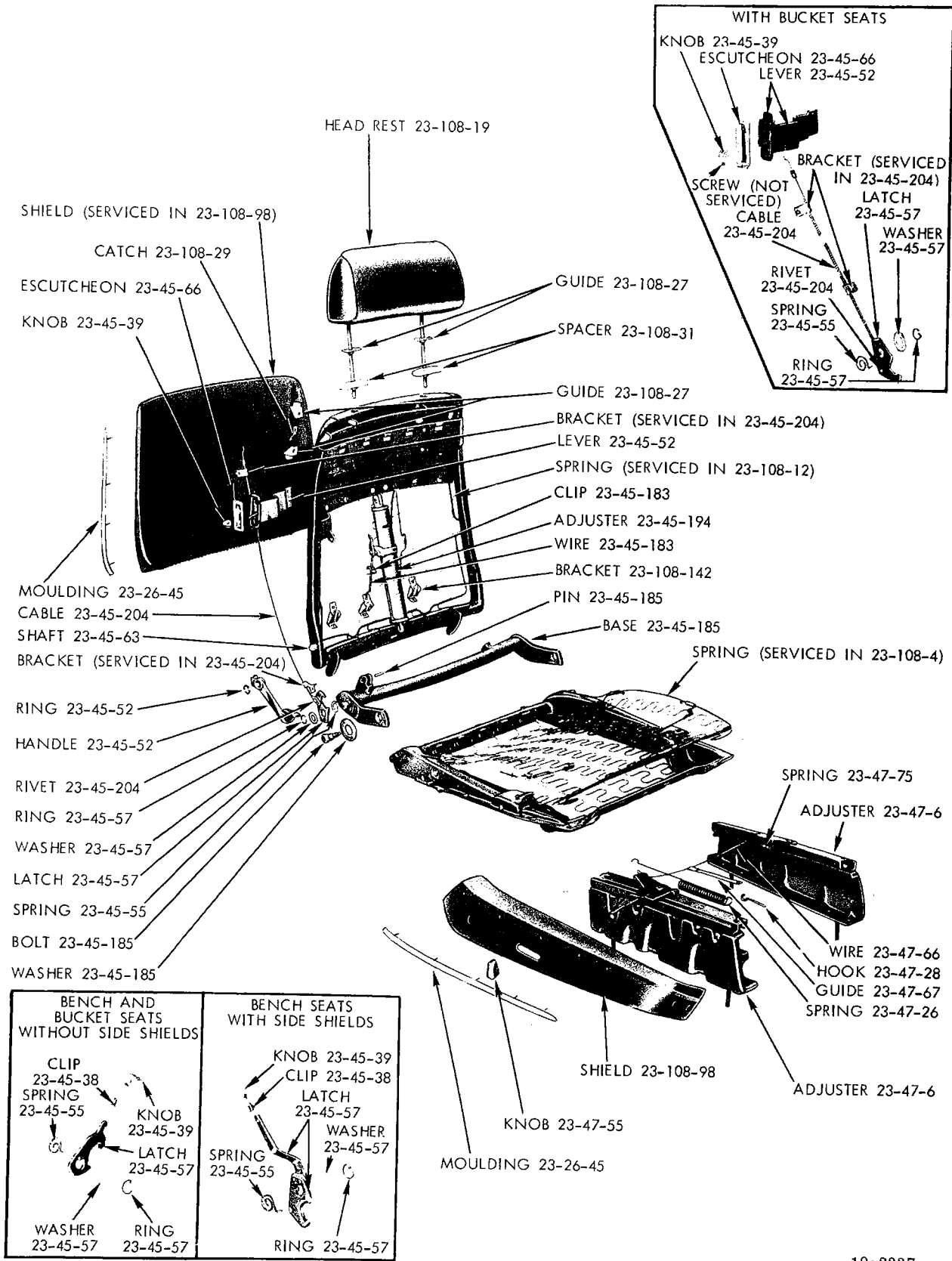
STATION WAGON STORAGE COMPARTMENT (DRIVERS SIDE) - PLYMOUTH, DODGE AND CHRYSLER



PARTS INDICATED BY NAME ONLY - ORDER BY DESCRIPTION

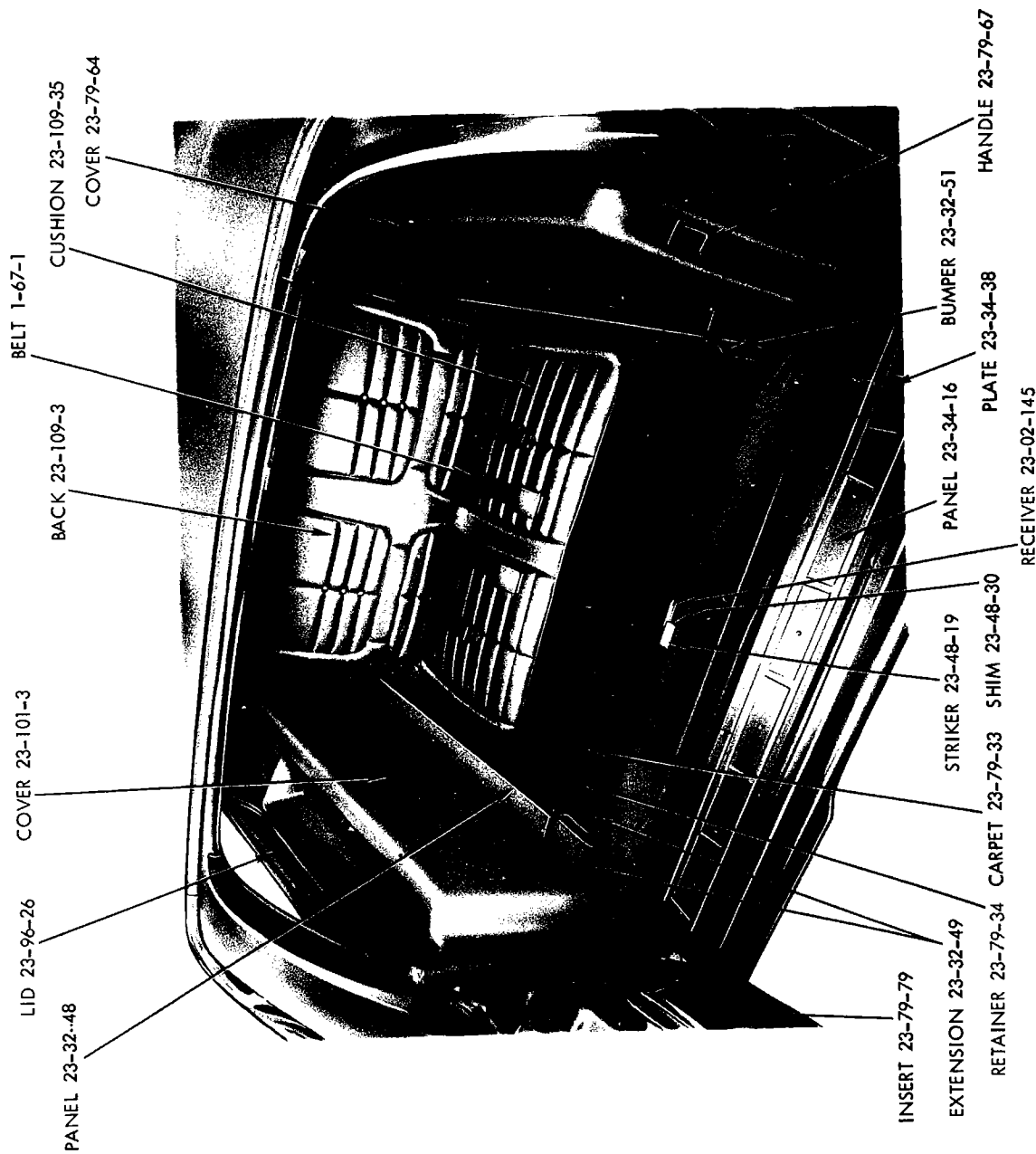
19a2343 A

STATION WAGON SEATS (3 SEATER) - PLYMOUTH, DODGE AND CHRYSLER



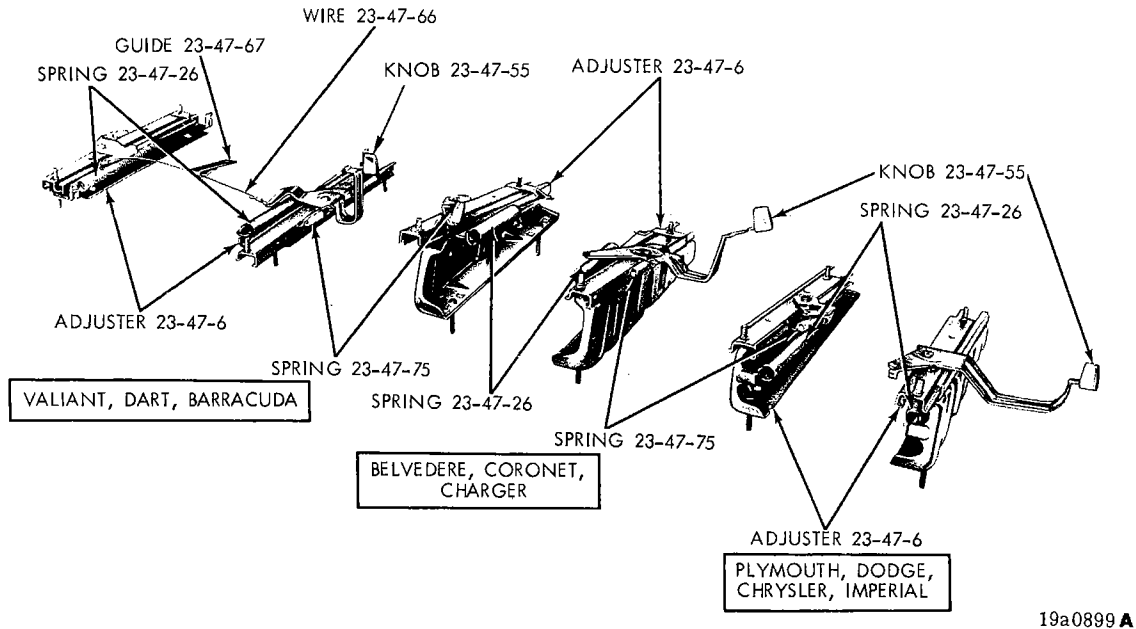
19a2337

RECLINING BUCKET SEAT

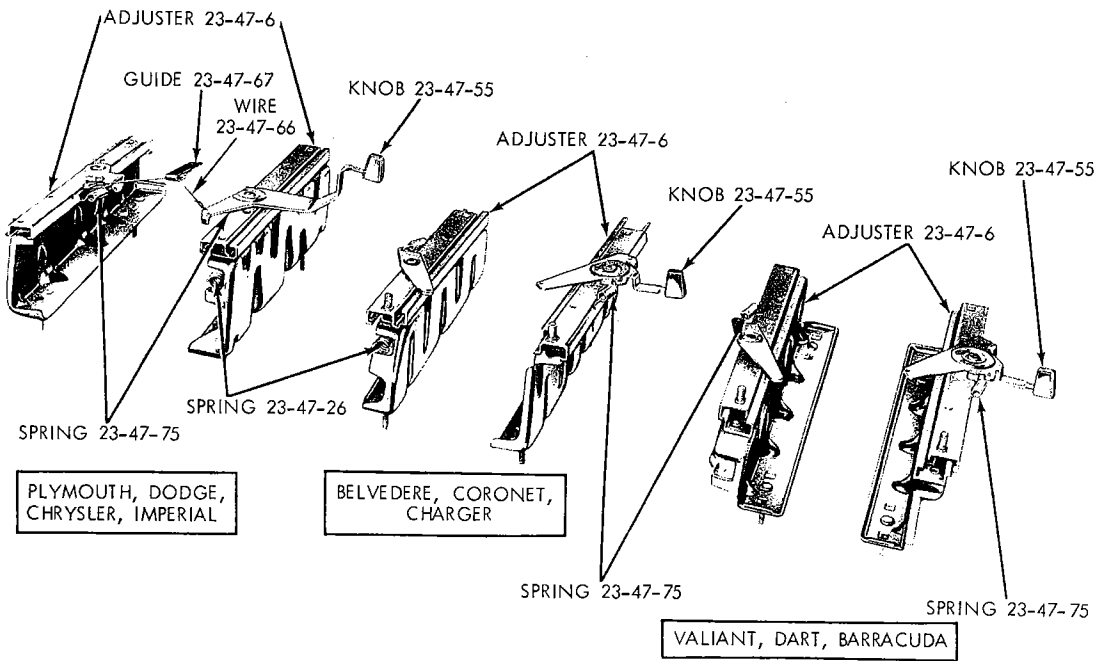


19a2788 A

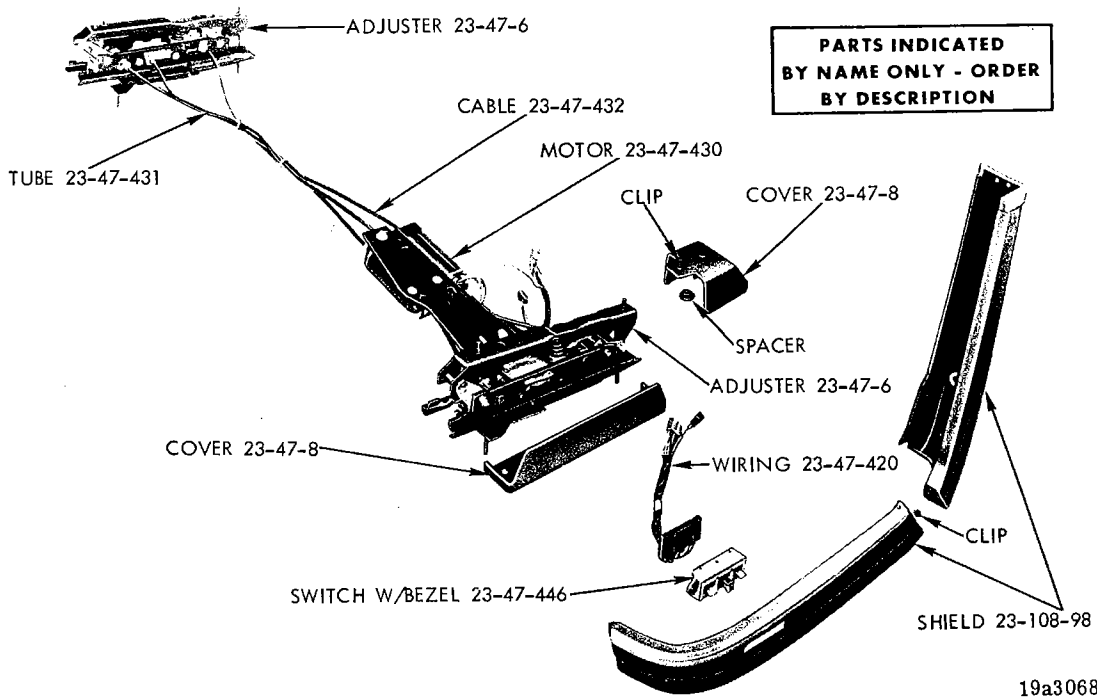
STATION WAGON 3RD SEAT AND WELL - PLYMOUTH, DODGE AND CHRYSLER



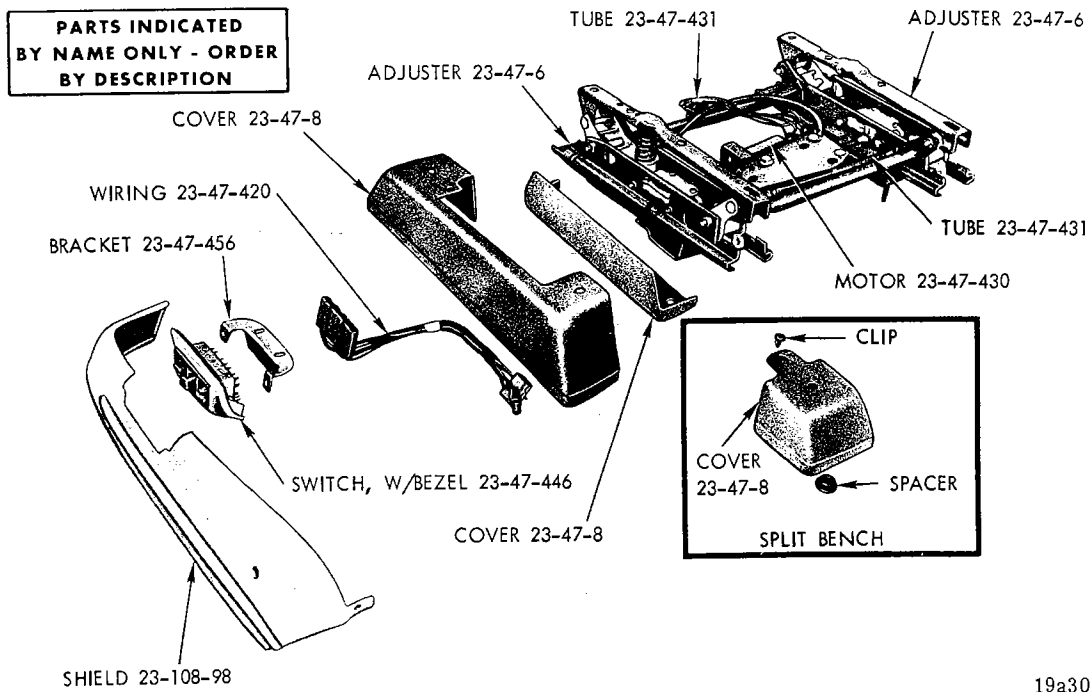
MANUAL SEAT ADJUSTER - BENCH TYPE



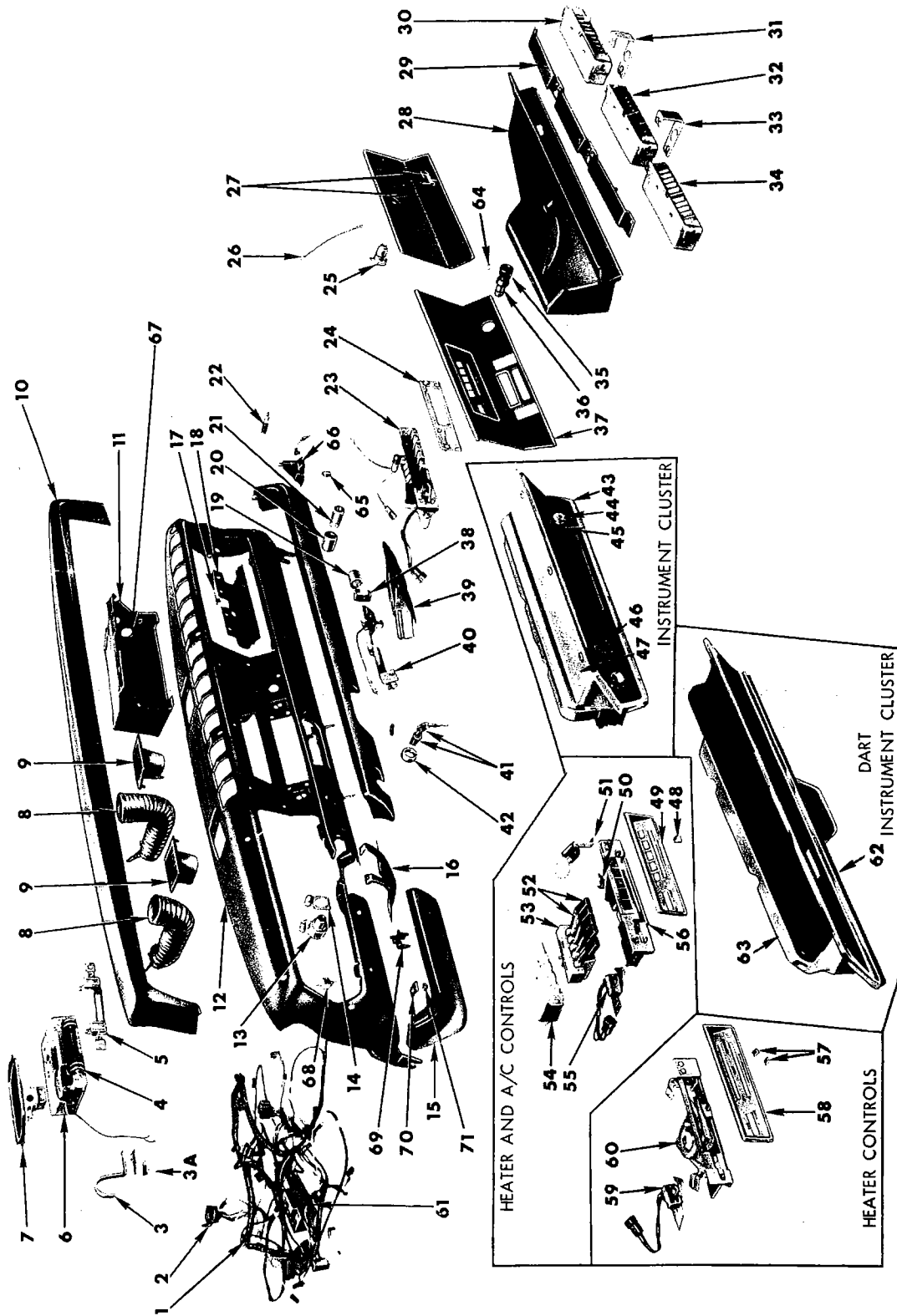
MANUAL SEAT ADJUSTER - BUCKET SEAT TYPE



ELECTRIC SEAT ADJUSTER (BENCH TYPE) - PLYMOUTH, DODGE, CHRYSLER AND IMPERIAL



ELECTRIC SEAT ADJUSTER (BUCKET AND SPLIT BENCH) - PLYMOUTH, DODGE, CHRYSLER AND IMPERIAL



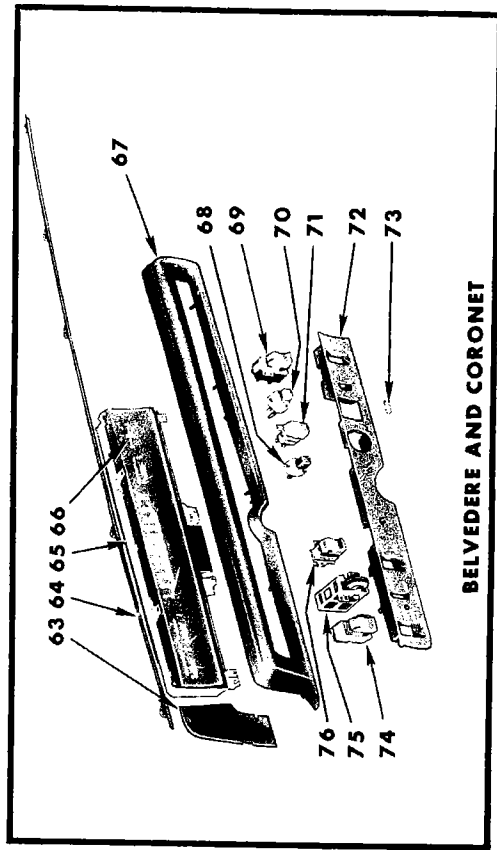
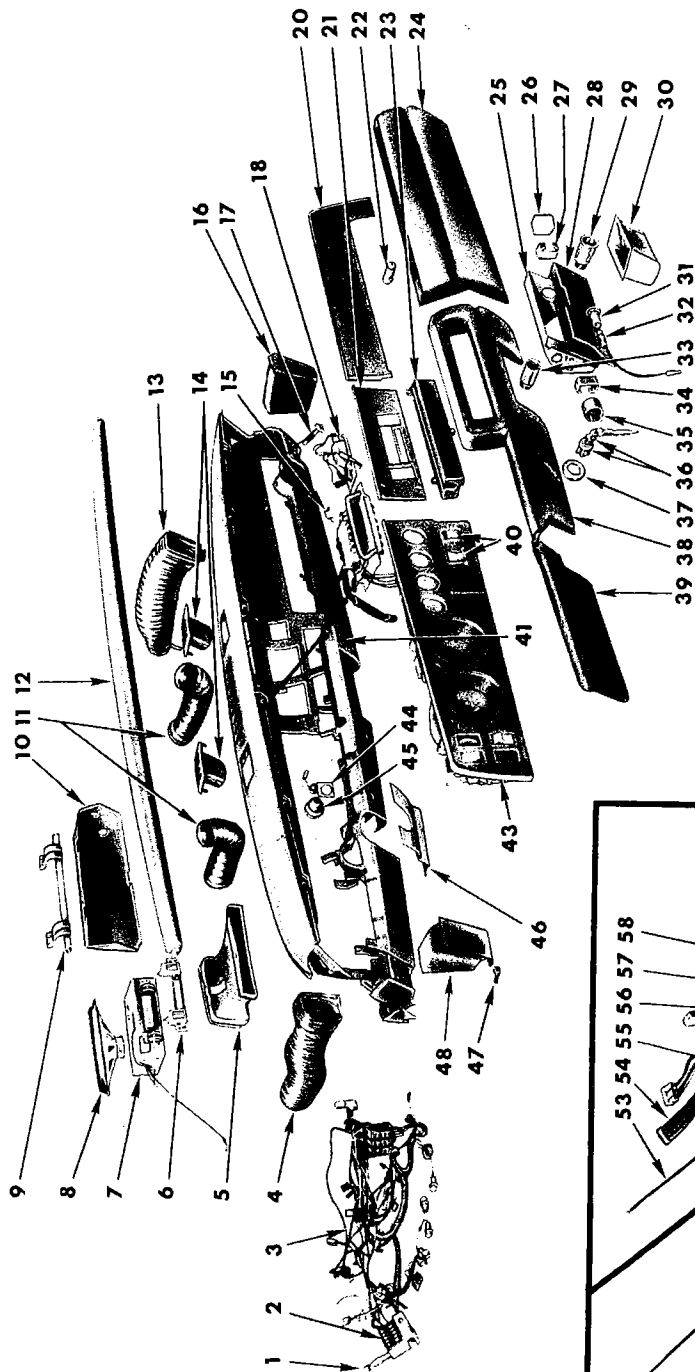
19aL2246A

INSTRUMENT PANEL - VALIANT AND DART (TYPICAL OF BARRACUDA)

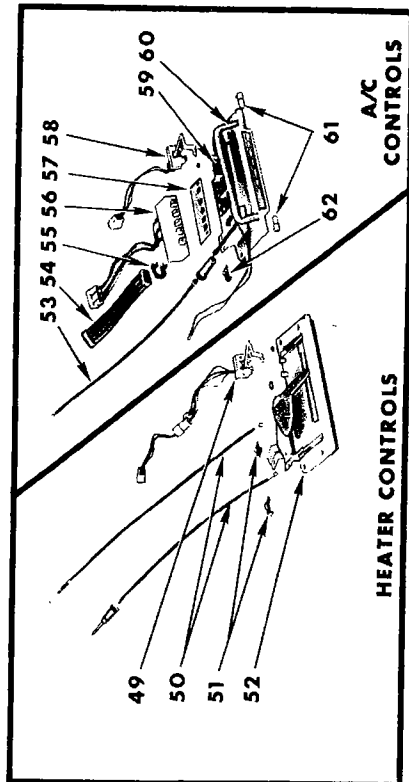
INSTRUMENT PANEL - VALIANT AND DART
(TYPICAL OF BARRACUDA)

Ref. No.	Name	Part Type Code	Ref. No.	Name	Part Type Code
1	Wiring	8-19-3	36	Element	8-20-9
2	Connector (see Chart Group 8) . . .		37	Trim Plate	23-33-135
3	Strap	24-28-16	38	Clip	8-50-191
3A	Bracket	1-87-61	39	Receptacle	23-02-18
4	Control	1-87-58	40	Housing	23-02-19
5	Radio	1-87-1	41	Cylinder and Key Package	8-35-115
6	Radio	1-87-1	42	Retainer	8-35-95
7	Speaker and Cover	1-87-2	43	Bezel	8-37-90
8	Tube	1-48-151	44	Knob	23-67-194
9	Grille	1-48-158	45	Nut	23-67-161
10	Pad	23-84-3	46	Switch	1-06-2
11	Box	23-06-4	47	Housing	8-37-178
12	Panel	23-33-109	48	Knob	1-48-942
13	Switch	8-35-59	49	Bezel	24-24-140
14	Lamp and Bracket	8-40-5	50	Clip	1-48-374
15	Pad	23-84-3	51	Lamp	24-24-167
16	Cover	23-33-132	52	Extension and Cover	24-24-164
17	Catch	23-06-15	53	Switch	24-24-150
18	Hinge	23-06-21	54	Plate (Serviced in 24-24-150) . . .	
19	Flasher	8-50-186	55	Switch	24-24-5
20	Clamp (Serviced in 8-20-10)		56	Control	24-24-39
21	Shell (Serviced in 8-20-10)		57	Knob	1-48-942
22	Lamp and Switch	8-38-23	58	Bezel	1-48-70
23	Control (refer to break down)		59	Switch	1-48-770
24	Plate		60	Control	1-48-4
25	Cylinder and Key Package	23-06-28	61	Insulator, Gasket and Clip	8-19-87
	Cylinder and Key Package	23-17-4	62	Bezel	8-37-90
26	Cable	23-06-46	63	Housing	8-37-178
27	Door	23-06-10	64	Knob	1-48-942
28	Duct	24-28-73	65	Bulb	8-44-1
29	Bracket		66	Lamp	8-42-1
30	Louver	24-28-78	67	Lens	8-38-3
31	Plate	24-28-107	68	Switch	8-42-25
32	Louver	24-28-78	69	Hinge, w/Bracket	4-08-13
33	Plate	24-28-107	70	Bezel	8-42-29
34	Louver	24-28-78	71	Nut	
35	Knob	8-20-8			

PARTS INDICATED BY NAME ONLY - ORDER BY DESCRIPTION



19aL2247A



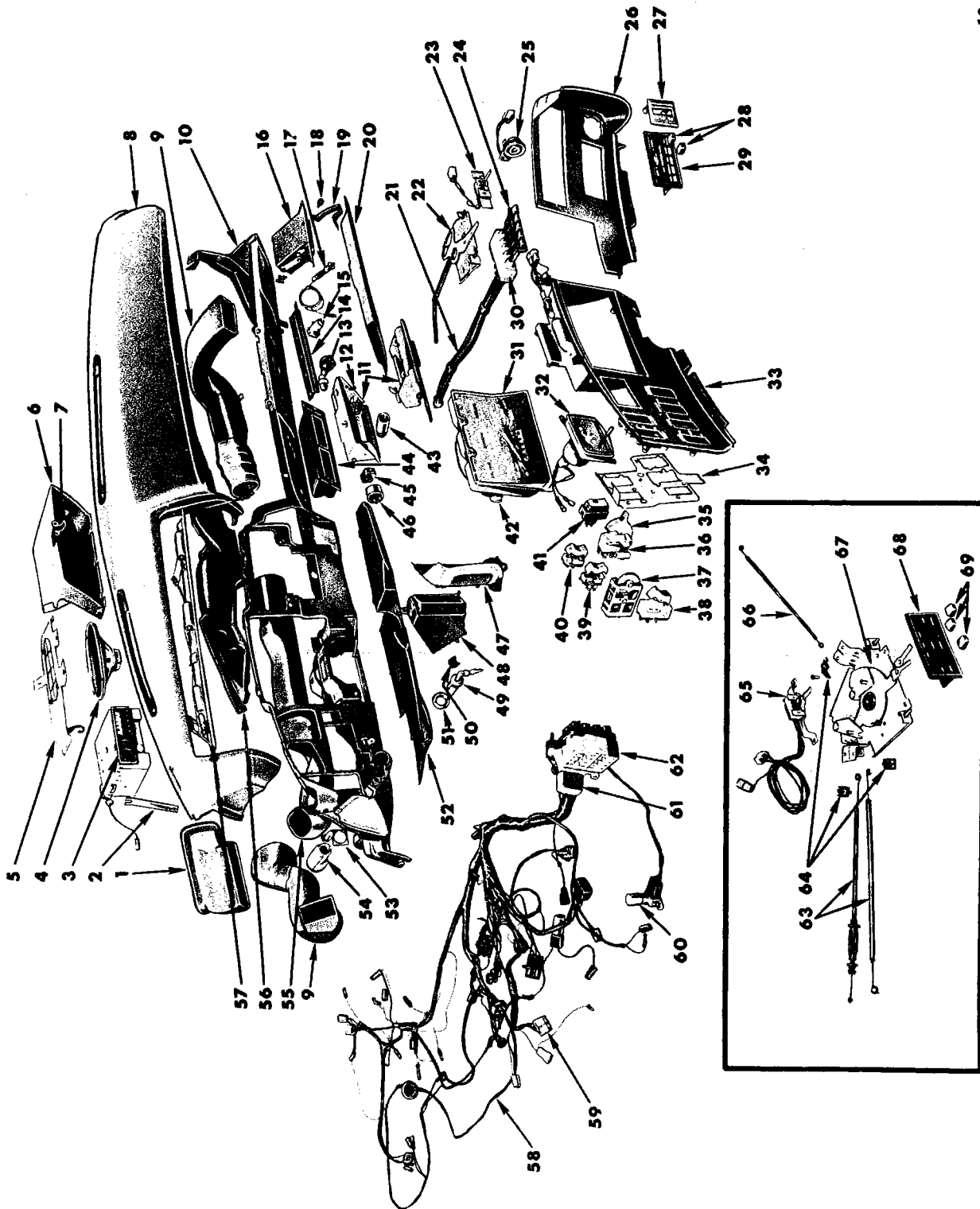
INSTRUMENT PANEL - CHARGER (WITH BELVEDERE AND CORONET INSERT)

INSTRUMENT PANEL - CHARGER
(WITH BELVEDERE AND CORONET INSERT)

Ref. No.	Name	Part Type Code	Ref. No.	Name	Part Type Code
1	Insulator (see Chart Group 8)		39	Pad	23-84-3
2	Insulator, Clip and Gasket	8-19-87	40	Button	23-67-258
3	Wiring	8-19-3	41	Panel	23-33-109
4	Tube	24-28-24	42	
5	Duct	24-28-73	43	Bezel	8-37-90
6	Bezel (Serviced in 1-87-1)		44	Lamp and Bracket	8-40-5
7	Radio	1-87-1	45	Switch	8-35-59
8	Speaker & Cover	1-87-2	46	Cover	23-33-132
9	Hinge	23-06-21	47	Knob	24-28-404
10	Box	23-06-4	48	Spot Cooler	24-28-387
11	Tubes	1-48-151	49	Switch	1-48-770
12	Pad	23-84-3	50	Cable	1-48-941
13	Tube	24-28-24	51	Clip	1-48-941
14	Grilles	1-48-158	52	Control	1-48-4
15	Catch	23-06-15	53	Cable (Serviced in 24-24-150)	
16	Spot Cooler	24-28-387	54	Hose	24-28-24
17	Lamp and Switch	8-38-23	55	Clamp	
18	Lamp	24-24-167	56	Switch	24-24-150
19		57	Plate (Serviced in 24-24-39)	
20	Finish Plate	23-33-135	58	Switch	24-24-5
21	Plate	1-87-22	59	Extension	24-24-164
22	Cylinder & Key Package	23-06-28	60	Control	24-24-39
	Cylinder & Key Package	23-17-4	61	Bulb	8-44-1
23	Louver	24-27-78	62	Clamp	24-28-361
24	Pad or Door	23-06-10	63	Finish Plate	23-33-135
25	Receptacle	23-02-18	64	Moulding	23-33-86
26	Flasher	8-50-186	65	Bezel	8-37-90
27	Clip	8-50-191	66	Clock	1-21-1
28	Pad	23-84-3	67	Pad	23-84-3
29	Shell (Serviced in 8-20-10)		68	Button	23-67-258
30	Receiver	23-02-18	69	Switch	23-67-160
31	Socket		70	Button	23-67-258
32	Lamp	8-19-83	71	Switch	23-54-167
33	Clamp (Serviced in 8-20-10)		72	Bezel	23-33-135
34	Clip	8-50-191	73	Decal	23-54-170
35	Flasher	8-50-186	74	Switch	8-53-270
36	Cylinder & Key Package	8-35-115	75	Switch	8-53-150
37	Bezel	8-35-85	76	Switch	1-06-3
38	Pad	23-84-3			

PARTS INDICATED BY NAME ONLY - ORDER BY DESCRIPTION

19aL2810



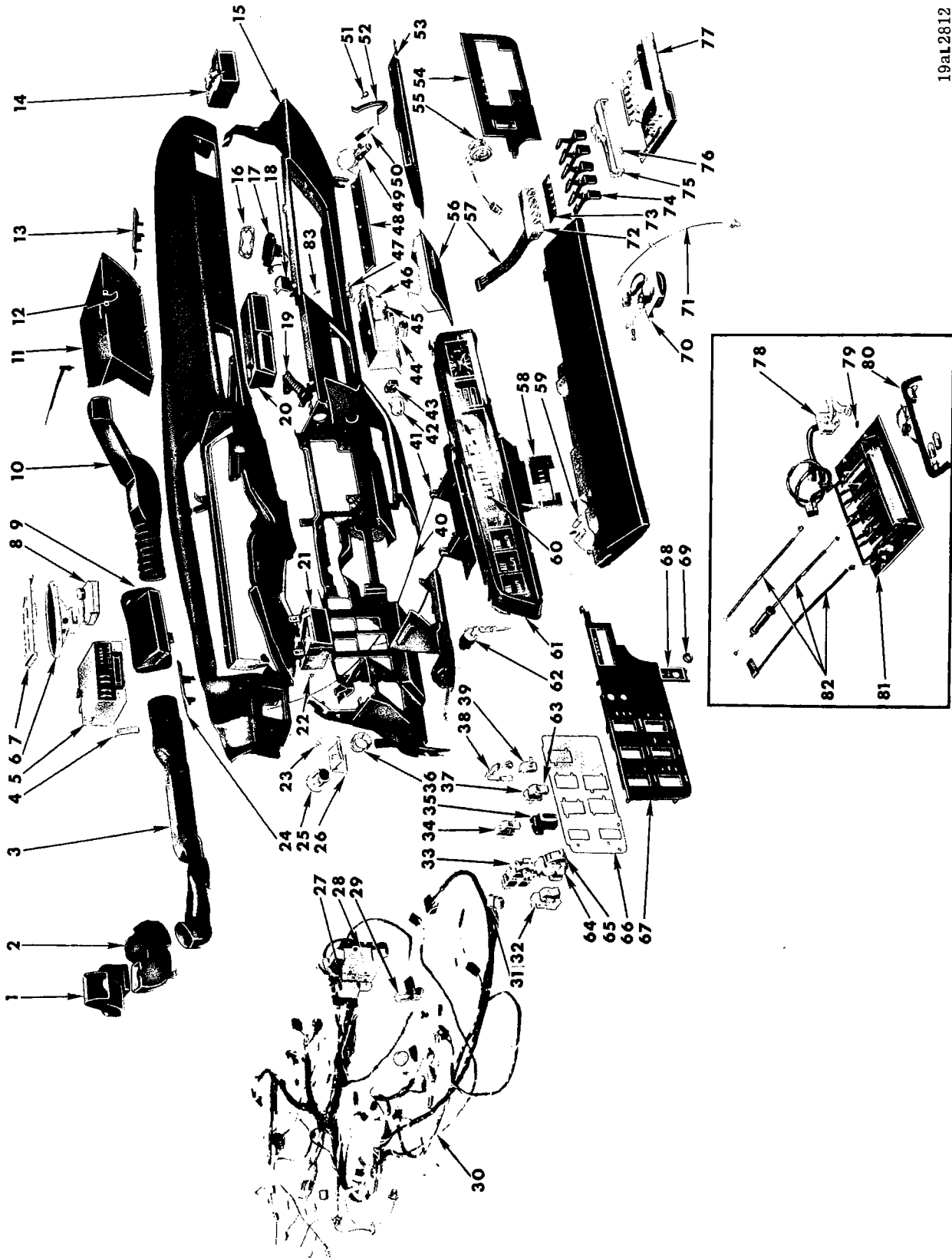
INSTRUMENT PANEL - PLYMOUTH

INSTRUMENT PANEL - PLYMOUTH

Ref. No.	Name	Part Type Code	Ref. No.	Name	Part Type Code
1	Duct	24-28-73	36	Switch	23-67-160
2	Bracket	1-87-61	37	Switch	8-53-150
3	Radio	1-87-1	38	Switch	8-53-270
4	Speaker	1-87-2	39	Switch	1-06-3
5	Grille	23-33-42	40	Switch	1-47-7
6	Box	23-06-4	41	Switch	23-67-160
7	Catch	23-06-15	42	Limitter	8-37-2
8	Pad	23-84-3	43	Shell (Serviced in 8-20-10)	
9	Duct	24-28-73	44	Air Outlet	24-28-78
10	Panel	23-33-109	45	Clip	8-50-191
11	Receiver - Comp.	23-02-18	46	Flasher	8-50-186
12	Bumper	23-02-38	47	Bezel	24-24-140
13	Lamp	8-19-83	48	Spot Cooler	24-28-78
14	Hinge	23-06-21	49	Cylinder Package	8-35-115
15	Cylinder and Key Package	23-06-28	50	Clip	24-28-72
16	Spot Cooler	24-28-78	51	Retainer	8-35-95
17	Lamp, w/Switch	8-38-23	52	Cover	23-33-132
18	Bumper	23-06-14	53	Lamp, w/Bracket	8-40-5
19	Arm	23-06-13	54	Switch	8-35-59
20	Door	23-06-10	55	Duct	24-28-73
21	Hose	24-28-24	56	Duct	1-48-141
22	Arm and Plate (Serviced in 1-48-4)		57	Panel	8-41-41
23	Switch	1-48-770	58	Wiring	8-19-3
24	Push Button	24-24-164	59	Connector, Insulator and Terminal (See Code 8-16-0)	
25	Control	1-87-58	60	Switch	8-53-150
26	Bezel	23-33-135	61	Relay	8-33-164
27	Bezel	1-87-22	62	Connector and Gasket, Bulkhead	8-19-87
28	Knob	1-48-942	63	Cable	1-48-941
29	Bezel	1-48-70	64	Clip	1-48-941
30	Switch	24-24-150	65	Switch	1-48-770
31	Housing	8-37-178	66	Cable	1-48-941
32	Clock	1-21-1	67	Plate and Lever and Cam	1-48-945
33	Bezel	8-37-90	68	Bezel	1-48-70
34	Plate	8-53-289	69	Knob	1-48-942
35	Knob (Serviced in 23-67-160)				

PARTS INDICATED BY NAME ONLY - ORDER BY DESCRIPTION

19a12812

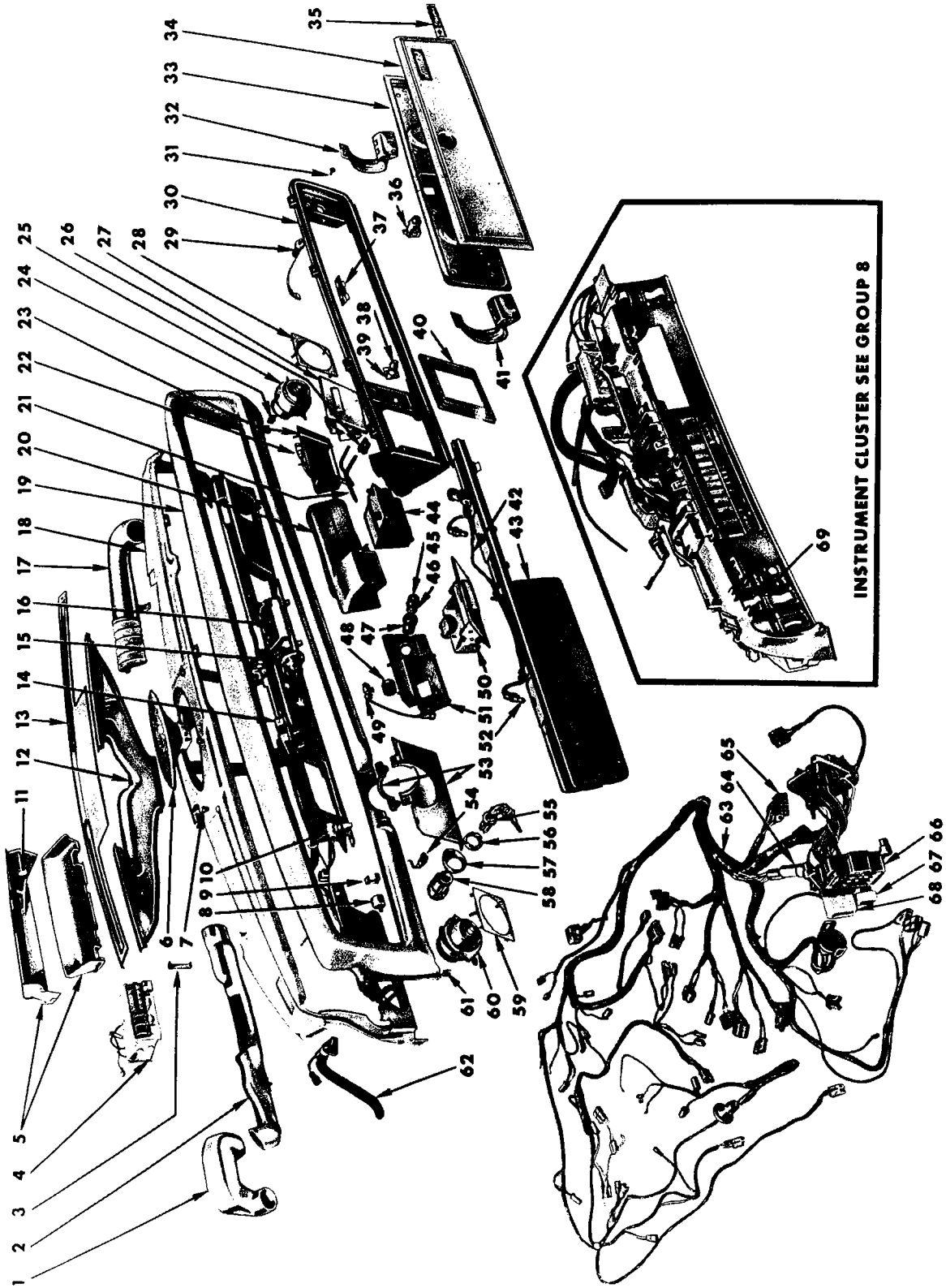


INSTRUMENT PANEL - DODGE

INSTRUMENT PANEL - DODGE

Ref. No.	Name	Part Type Code	Ref. No.	Name	Part Type Code
1	Duct	24-28-73	43	Clip	8-50-191
2	Duct	24-28-73	44	Shell and Clamp	8-20-10
3	Duct	24-28-73	45	Bumper	23-02-38
4	Bracket	1-87-61	46	Housing	23-02-19
5	Radio	1-87-1	47	Lamp	8-19-83
6	Speaker	1-87-2	48	Hinge	23-06-21
7	Plate	1-87-30	49	Cylinder and Key Package	23-06-28
8	Plate w/Cover	1-87-19	50	Lamp and Switch	8-38-23
9	Duct	24-28-73	51	Bumper	23-06-14
10	Duct	24-28-73	52	Arm	23-06-13
11	Box	23-06-4	53	Door	23-06-10
12	Catch	23-06-15	54	Bezel	23-33-135
13	Grille	23-33-42	55	Control	1-87-58
14	Spot Cooler	24-28-78	56	Receptacle or Receiver	23-02-18
15	Panel	23-33-109	57	Extension, Vacuum Hose	24-28-24
16	Plate, Speaker Mtg.	23-33-43	58	Dial (Serviced in 8-37-90)	
17	Speaker	1-87-2	59	Wiring	8-19-3
18	Limitter	8-37-2	60	Lens	8-37-162
19	Tube, Aspirator	24-28-24	61	Bezel	8-37-90
20	Outlet, w/Louvers	24-28-78	62	Cylinder Package	8-35-115
21	Spot Cooler	24-28-78	63	Knob (Serviced in 23-67-160)	
22	Clip	24-28-72	64	Switch	23-67-160
23	Lamp	8-40-5	65	Knob (Serviced in 23-67-160)	
24	Grille	23-33-42	66	Plate	8-53-289
25	Switch	8-35-59	67	Bezel	8-53-294
26	Plate	Not Serviced	68	Bezel	8-14-9
27	Relay	8-33-164	69	Nut	
28	Connector and Gasket, Bulkhead	8-19-87	70	Potentiometer, w/Thumbwheel and Bracket	24-01-45
29	Switch	8-53-150	71	Cable	1-21-19
30	Wiring	8-19-3	72	Switch	24-24-150
31	Connector, Insulator and Terminal (See Code 8-16-0)		73	Control (Serviced in 24-24-161)	
32	Switch	8-53-270	74	Extension, Push Button	24-24-164
33	Switch	8-53-150	75	Lamp and Socket	24-24-167
34	Bezel	8-37-90	76	Lamp and Socket	24-24-167
35	Switch	23-67-160	77	Control	24-24-161
36	Retainer	8-35-95	78	Switch	1-48-770
37	Switch	23-67-160	79	Retainer	1-48-950
38	Lamp	8-39-9	80	Lamp and Sockets	1-48-10
39	Switch	8-14-23	81	Control	1-48-4
40	Cable	1-48-941	82	Cable	1-48-941
41	Cover	23-33-132	83	Bumper	23-06-14
42	Flasher	8-50-186			

PARTS INDICATED BY NAME ONLY - ORDER BY DESCRIPTION



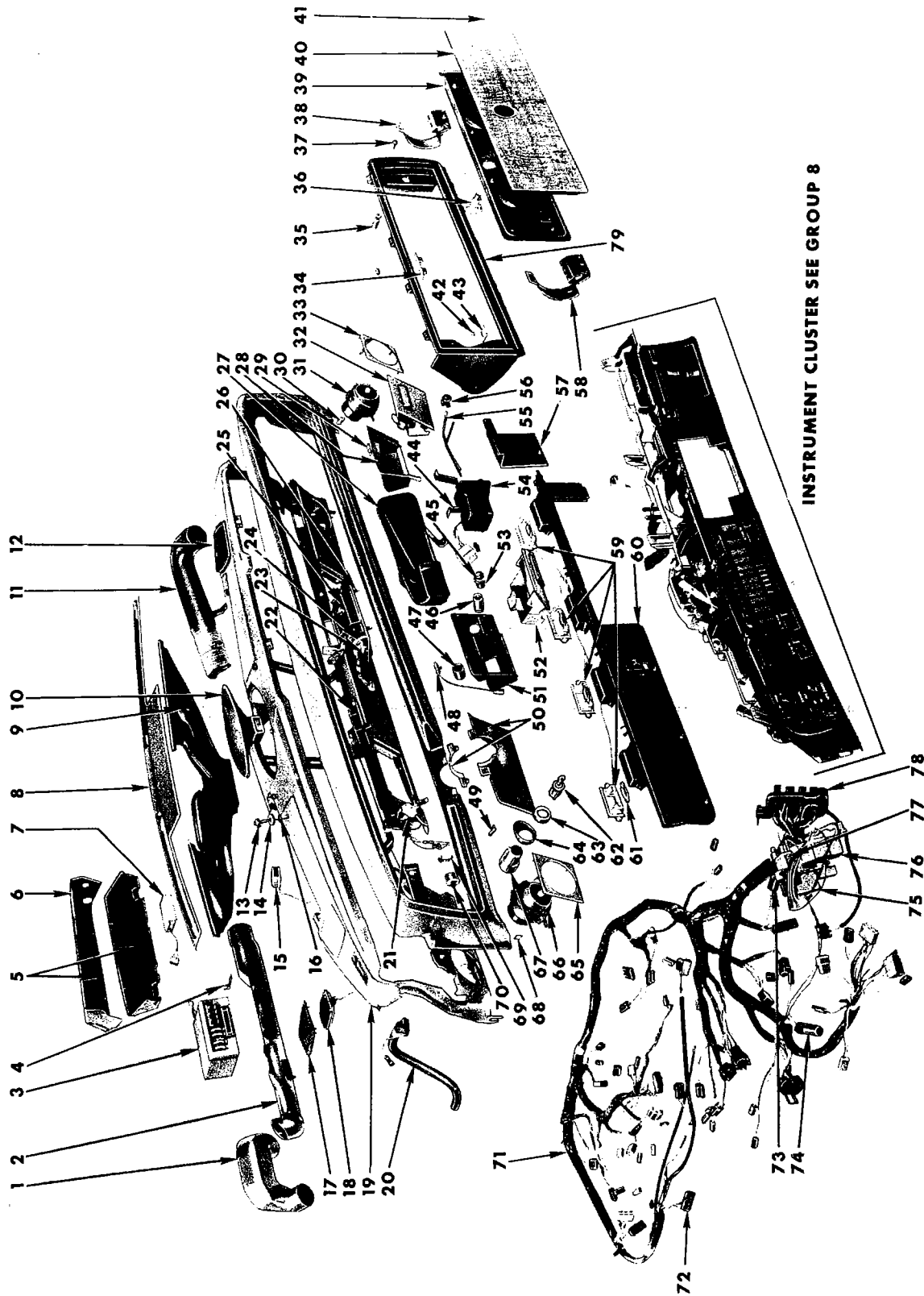
19aL2697

INSTRUMENT PANEL - CHRYSLER

INSTRUMENT PANEL - CHRYSLER

Ref. No.	Name	Part Type Code	Ref. No.	Name	Part Type Code
1	Duct	24-28-73	35	Name Plate	23-06-53
2	Duct	24-28-73	36	Cylinder and Key Package	23-06-28
3	Bracket	Not Serviced	37	Striker	23-06-16
4	Radio	1-87-1	38	Nut	23-19-94
5	Box	23-06-4	39	Bezel	23-19-100
6	Speaker	1-87-2	40	Bezel (Serviced in 24-28-78)	
7	Photocell	8-53-304	41	Hinge	23-06-21
8	Flasher	8-50-186	42	Wiring	8-19-3
9	Clip	8-50-191	43	Panel	8-41-41
10	Switch	1-06-3	44	Air Outlet	24-28-78
11	Lens	8-38-3	45	Knob	8-20-8
12	Duct	1-48-141	46	Element	8-20-9
13	Grille	23-33-42	47	Shell (Serviced in 8-20-10)	
14	Control	1-48-374	48	Clamp (Serviced in 8-20-10)	
15	Control	1-87-58	49	Lamp	8-19-83
16	Control	1-48-374	50	Receptacle, Lt.	23-02-18
17	Duct, Rt.	24-28-73	51	Housing, Lt.	23-02-19
18	Panel	23-33-109	52	Bulb	8-44-1
19	Panel	23-33-109	53	Cover	23-33-132
20	Duct, Center	24-28-73	54	Lamp	8-40-5
21	Tube	23-19-97	55	Cylinder Package	8-35-115
22	Lamp	8-19-83	56	Retainer	8-35-95
23	Housing, Rt.	23-02-19	57	Bezel	8-35-85
24	Clip	24-28-72	58	Switch	8-35-59
25	Spot Cooler	24-28-387	59	Bezel	24-24-140
26	Switch	23-19-94	60	Spot Cooler	24-28-387
27	Receptacle, Rt.	23-02-18	61	Clip	24-28-72
28	Bezel	24-24-140	62	Sensor	
29	Lamp and Switch	8-38-23	63	Wiring	8-19-3
30	Bezel	23-33-135	64	Relay	8-40-10
31	Bumper	23-06-14	65	Connector (see Code 8-16-0)	
32	Hinge	23-06-21	66	Fuse Block	8-15-3
33	Panel, Inner	23-06-10	67	Circuit Breaker	8-17-30
34	Panel w/Insert, Outer	23-06-10	68	Relay	8-33-164
			69	Knob (Serviced in 23-67-160)	

PARTS INDICATED BY NAME ONLY - ORDER BY DESCRIPTION



INSTRUMENT CLUSTER SEE GROUP 8

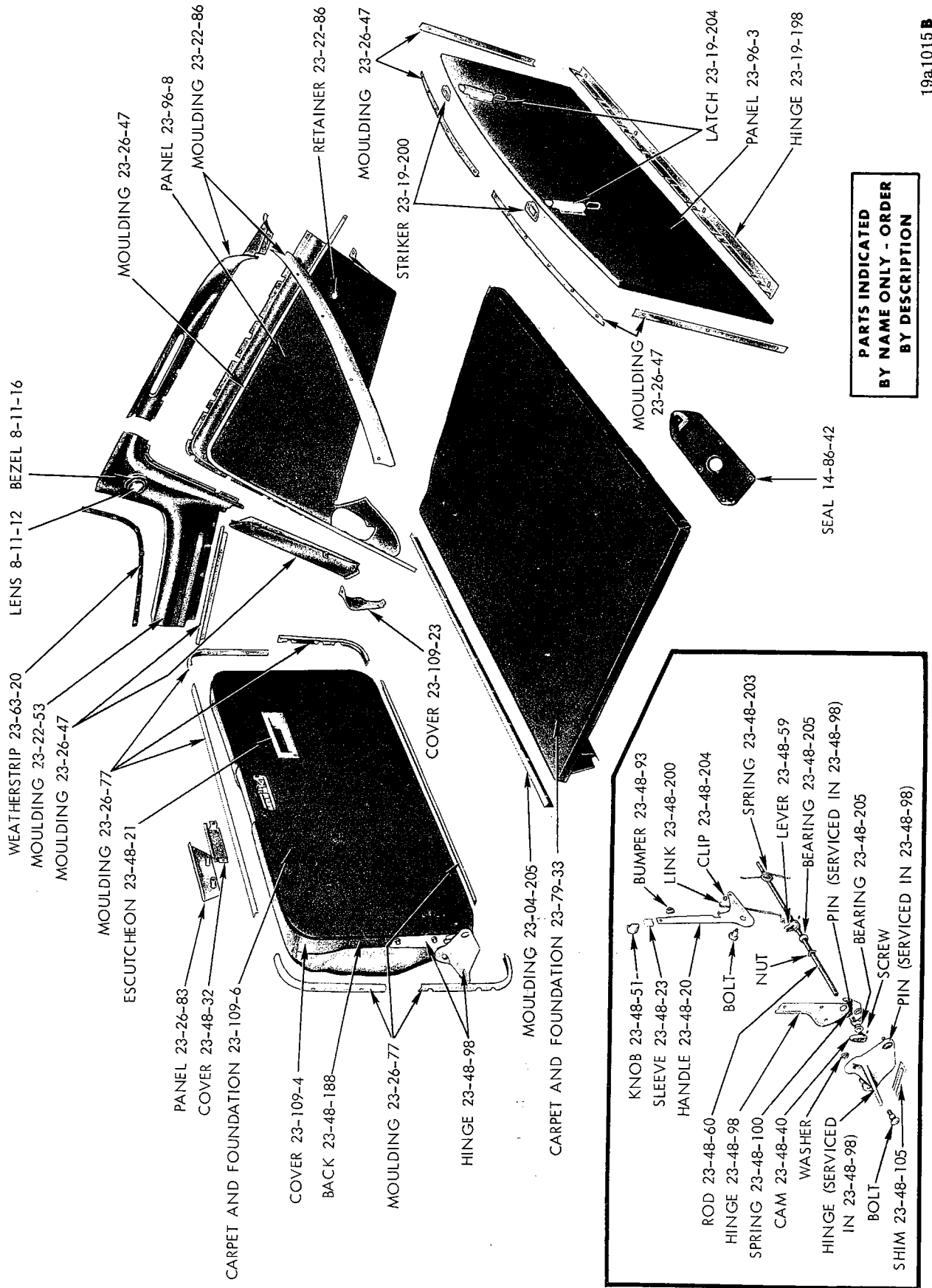
INSTRUMENT PANEL - IMPERIAL

19aL2698

INSTRUMENT PANEL - IMPERIAL

Ref. No.	Name	Part Type Code	Ref. No.	Name	Part Type Code
1	Duct	24-28-73	40	Panel, Outer	23-06-10
2	Duct	24-28-73	41	Name Plate	23-06-53
3	Radio (Standard Equipment)	Not Serviced	42	Nut	23-19-94
4	Bracket	Not Serviced	43	Bezel	23-19-100
5	Box	23-06-4	44	Bracket	8-53-303
6	Lens	8-38-3	45	Knob	8-20-8
7	Plate and Cover	1-8-19	46	Shell (Serviced in 8-20-10)	
8	Grille	23-33-42	47	Clamp (Serviced in 8-20-10)	
9	Duct	1-48-141	48	Lamp	8-19-83
10	Speaker	1-87-2	49	Lamp	8-40-5
11	Duct	24-28-73	50	Cover	23-33-132
12	Grille	23-33-42	51	Housing, Lt.	23-02-19
13	Photocell	8-53-304	52	Receptacle, Lt.	23-02-18
14	Spacer	8-53-308	53	Element	8-20-9
15	Relay, w/Wiring	8-37-70	54	Amplifier	8-53-301
16	Clip	8-53-305	55	Tube	23-19-97
17	Grille	23-33-42	56	Switch	23-19-94
18	Speaker	1-87-2	57	Plate	8-41-43
19	Panel	23-33-109	58	Hinge	23-06-21
20	Sensor		59	Lens	8-41-44
21	Switch	1-06-3	60	Panel	8-41-41
22	Control	1-48-374	61	Bulb	8-44-1
23	Control	1-37-58	62	Cylinder and Key Package	8-35-115
24	Thumbwheel	24-01-45	63	Retainer	8-35-95
25	Bulb	8-44-1	64	Bezel	8-35-85
26	Knob	24-24-156	65	Bezel	
27	Air Outlet	24-28-78	66	Spot Cooler	24-28-387
28	Housing, Rt.	23-02-19	67	Switch	8-35-59
29	Lamp	8-19-83	68	Clip	24-28-72
30	Clip	24-28-72	69	Clip	8-50-191
31	Spot Cooler	24-28-387	70	Flasher	8-50-186
32	Receptacle, Rt.	23-02-18	71	Wiring	8-19-3
33	Bezel		72	Connector (see Code 8-16-0)	
34	Striker	23-06-16	73	Circuit Breaker	8-17-30
35	Lamp and Switch	8-38-23	74	Relay	8-40-10
36	Cylinder and Key Package	23-06-28	75	Relay	8-33-164
37	Bumper	23-06-14	76	Circuit Breaker	8-17-30
38	Hinge	23-06-21	77	Relay	23-41-27
39	Panel, Inner	23-06-10	78	Fuse Block	8-15-3
			79	Bezel	23-33-135

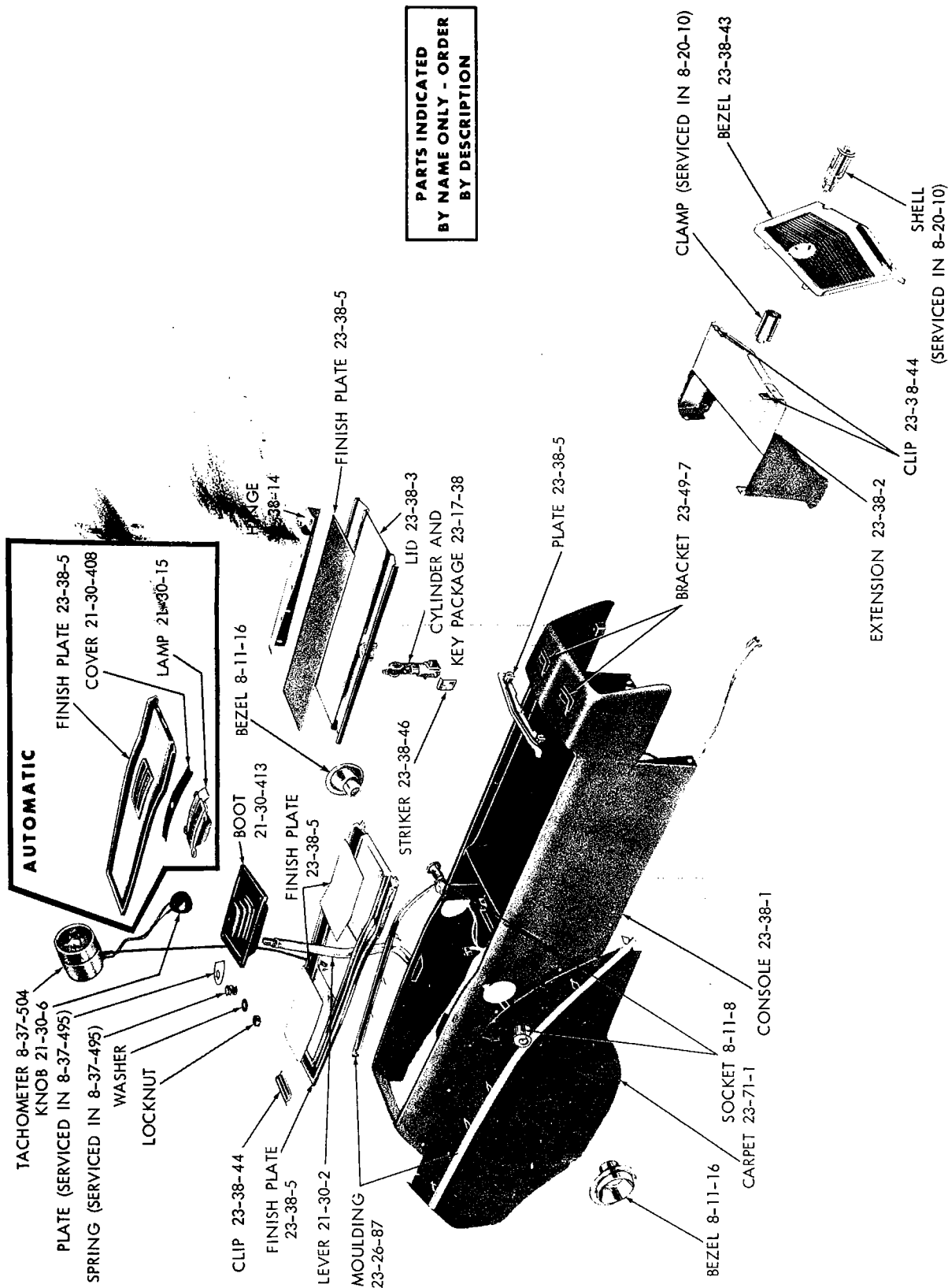
PARTS INDICATED BY NAME ONLY - ORDER BY DESCRIPTION



PARTS INDICATED BY NAME ONLY - ORDER BY DESCRIPTION

FOLDING SEAT BACK SECURITY PANEL AND LOCKS - BARRACUDA (WITH INSERT FOR HINGES)

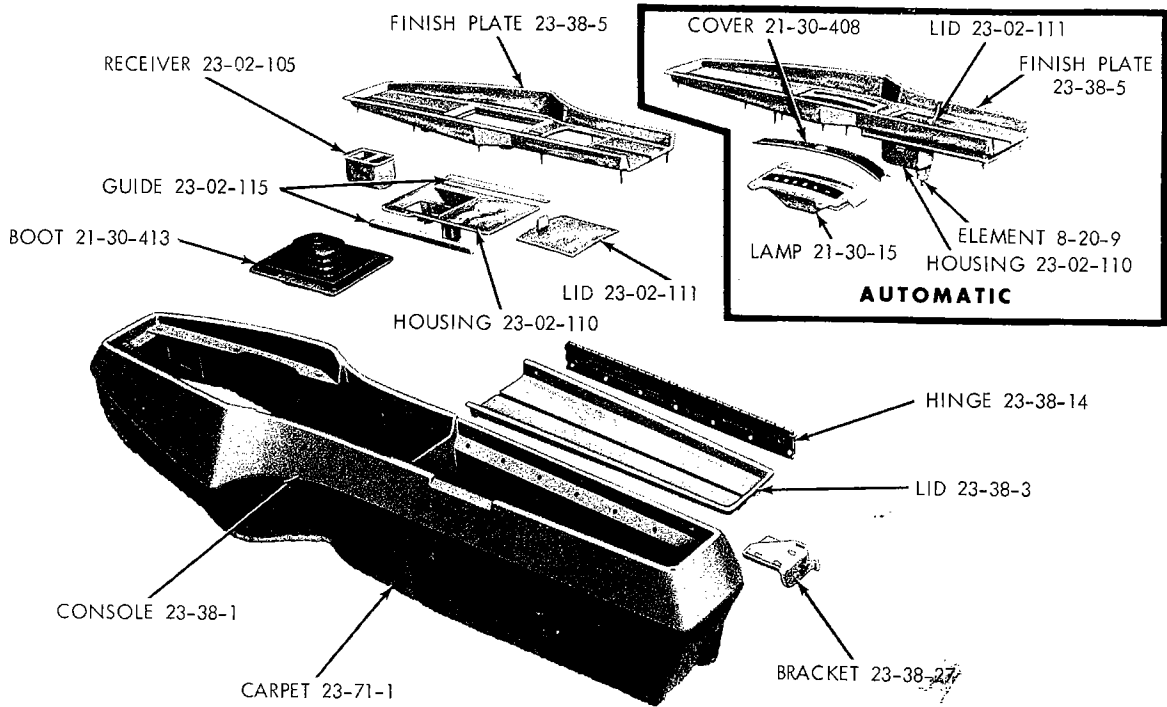
19a1015 B



PARTS INDICATED BY NAME ONLY - ORDER BY DESCRIPTION

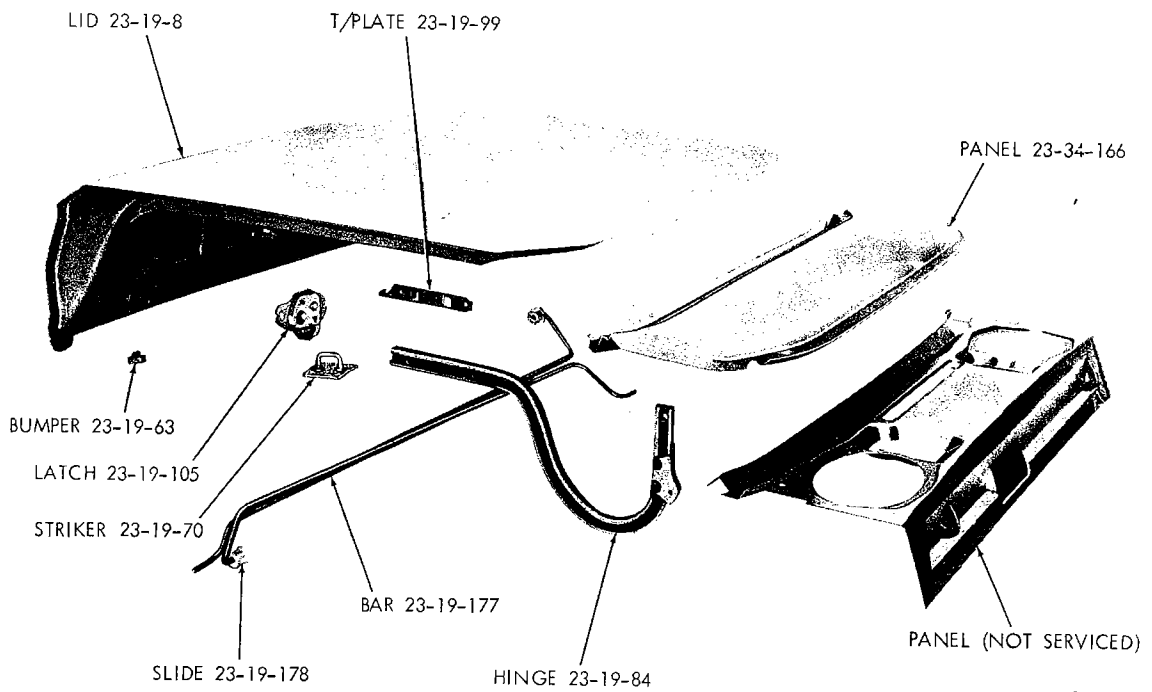
19a2556

CONSOLE - BELVEDERE, CORONET, CHARGER, PLYMOUTH, DODGE AND CHRYSLER (4 SPEED MANUAL AND 3 SPEED AUTOMATIC)



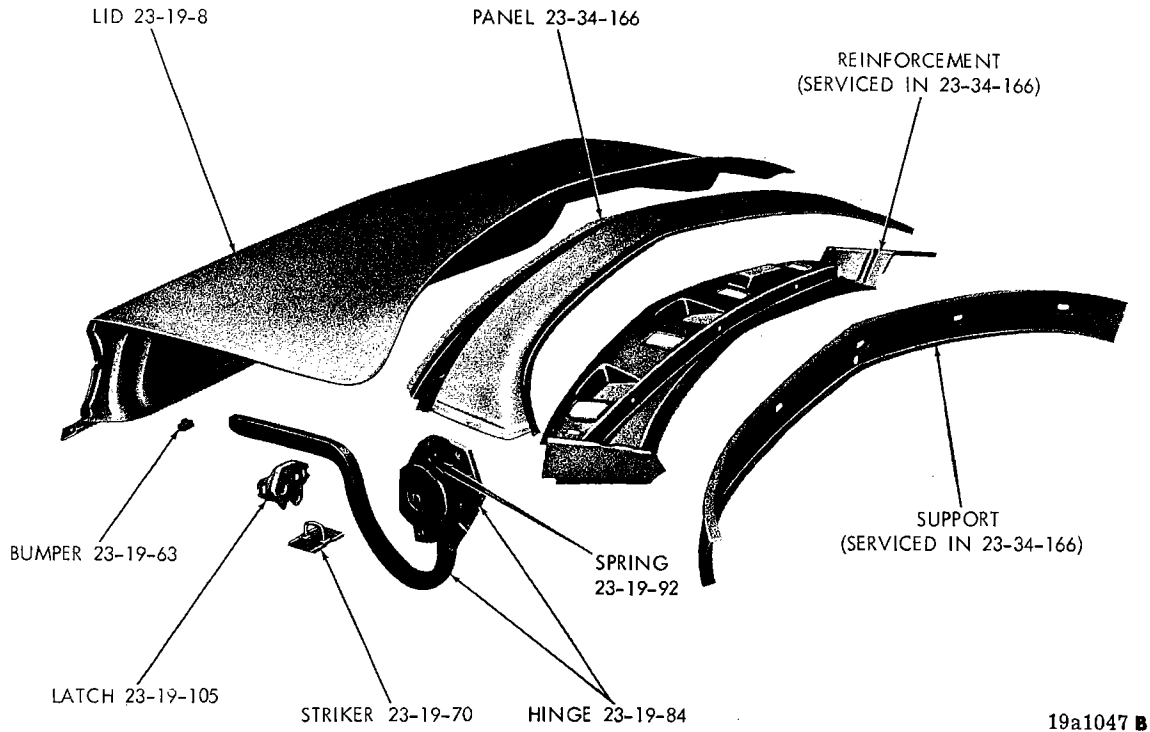
19a0596A

CONSOLE - BARRACUDA AND DART

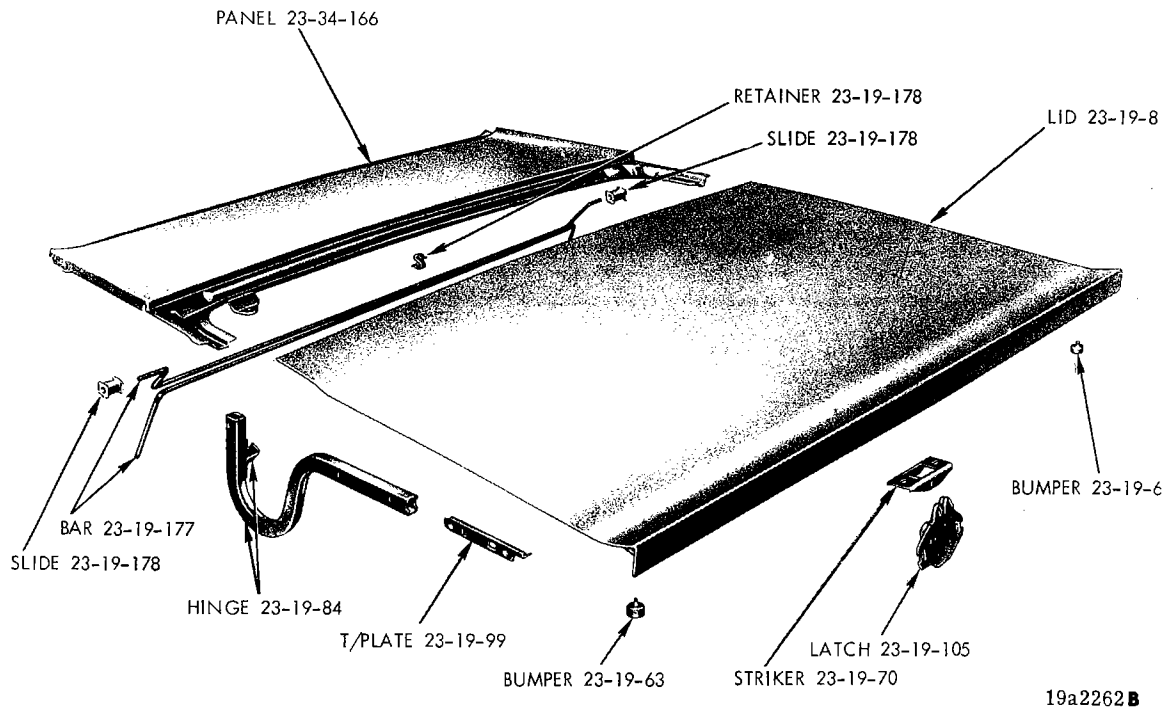


19a1046A

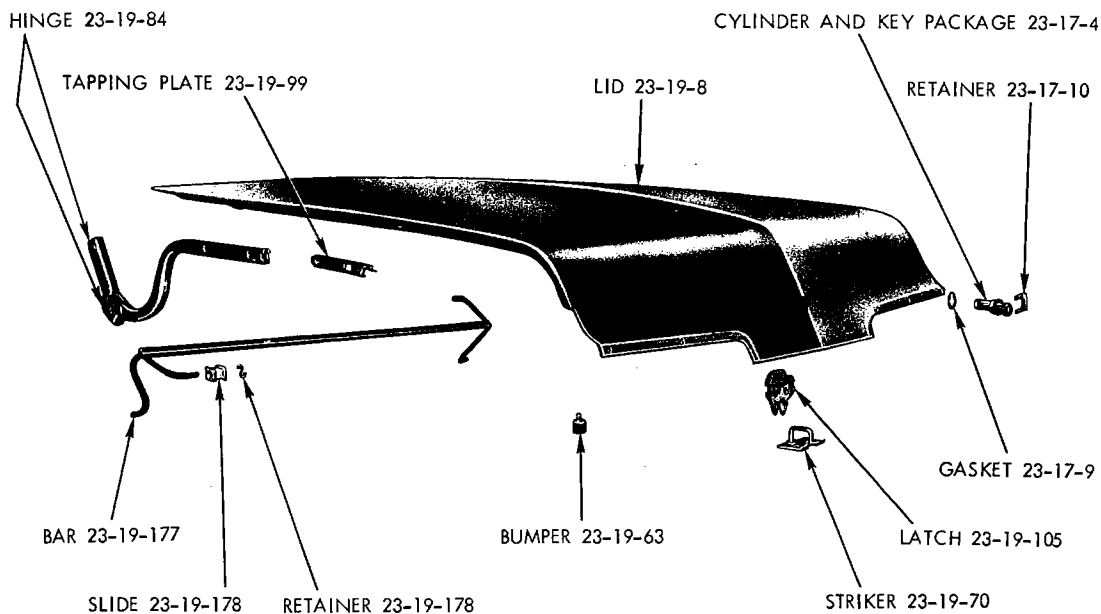
DECK LID HINGES AND LOCKS - VALIANT AND DART



DECK LID HINGES AND LOCKS - BARRACUDA SPECIAL 2 DOOR HARDTOP



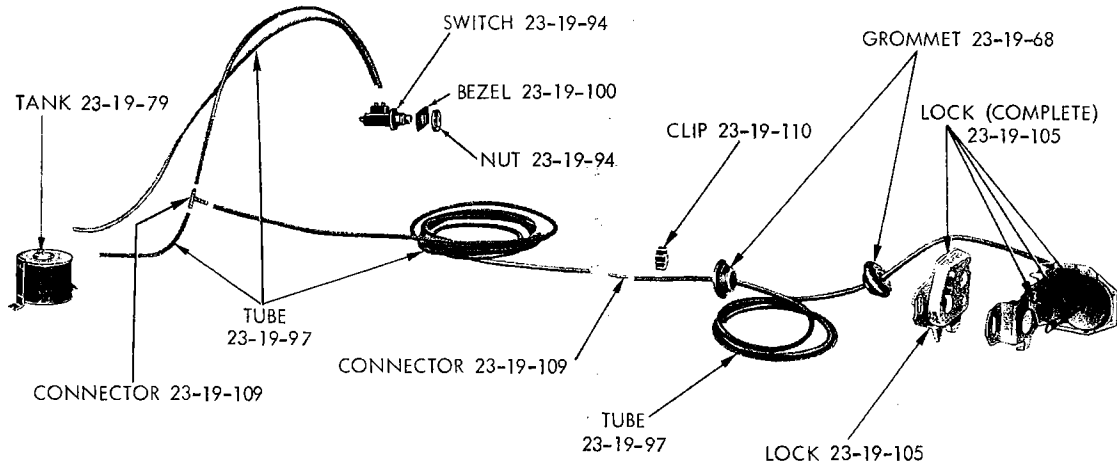
DECK LID HINGES AND LOCKS - CHARGER



19a2699

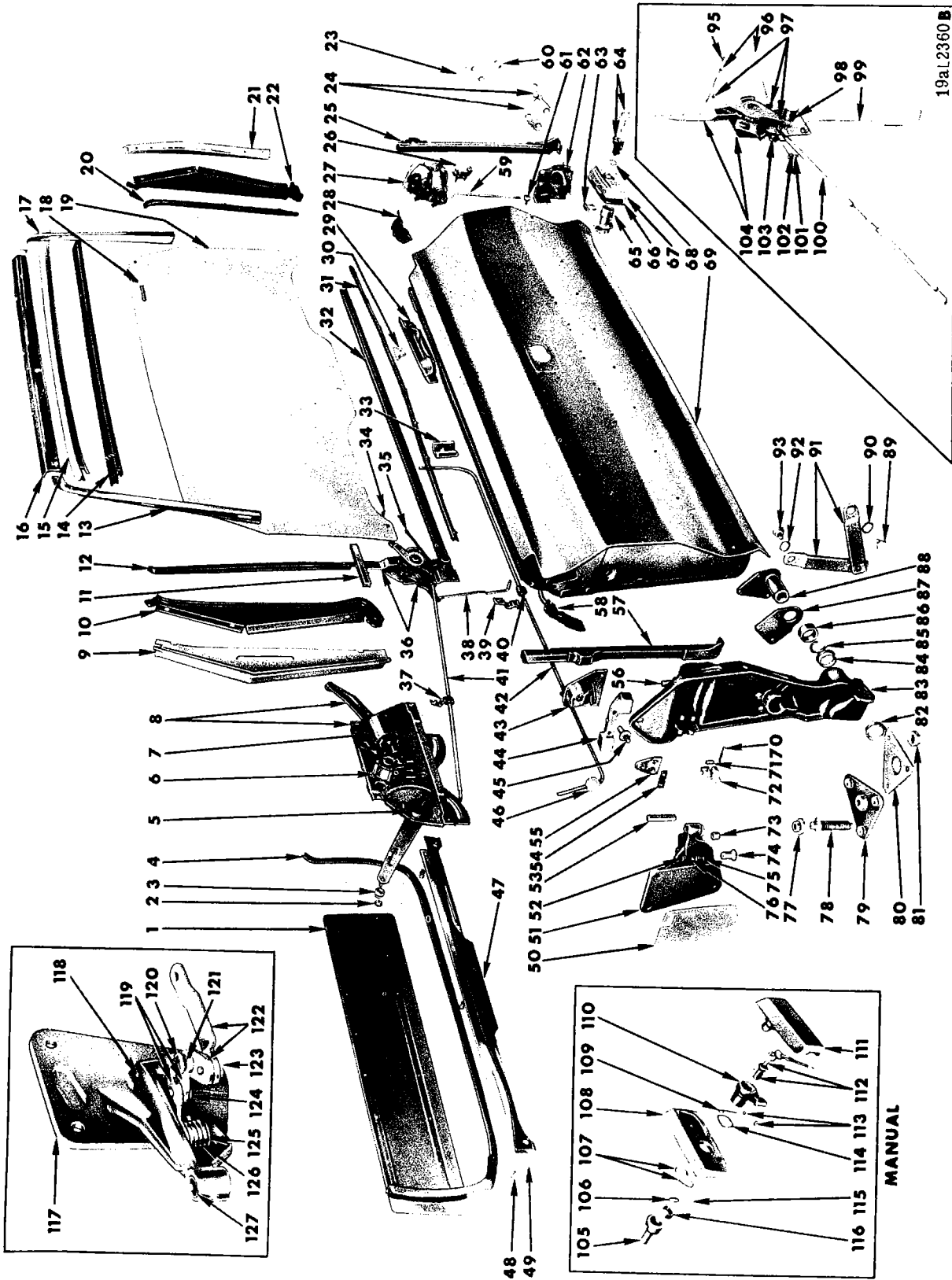
DECK LID - DODGE (TYPICAL OF PLYMOUTH)

PARTS INDICATED BY NAME ONLY - ORDER BY DESCRIPTION



19a0294 E

VACUUM DECK LID LOCK - DODGE, CHRYSLER AND IMPERIAL

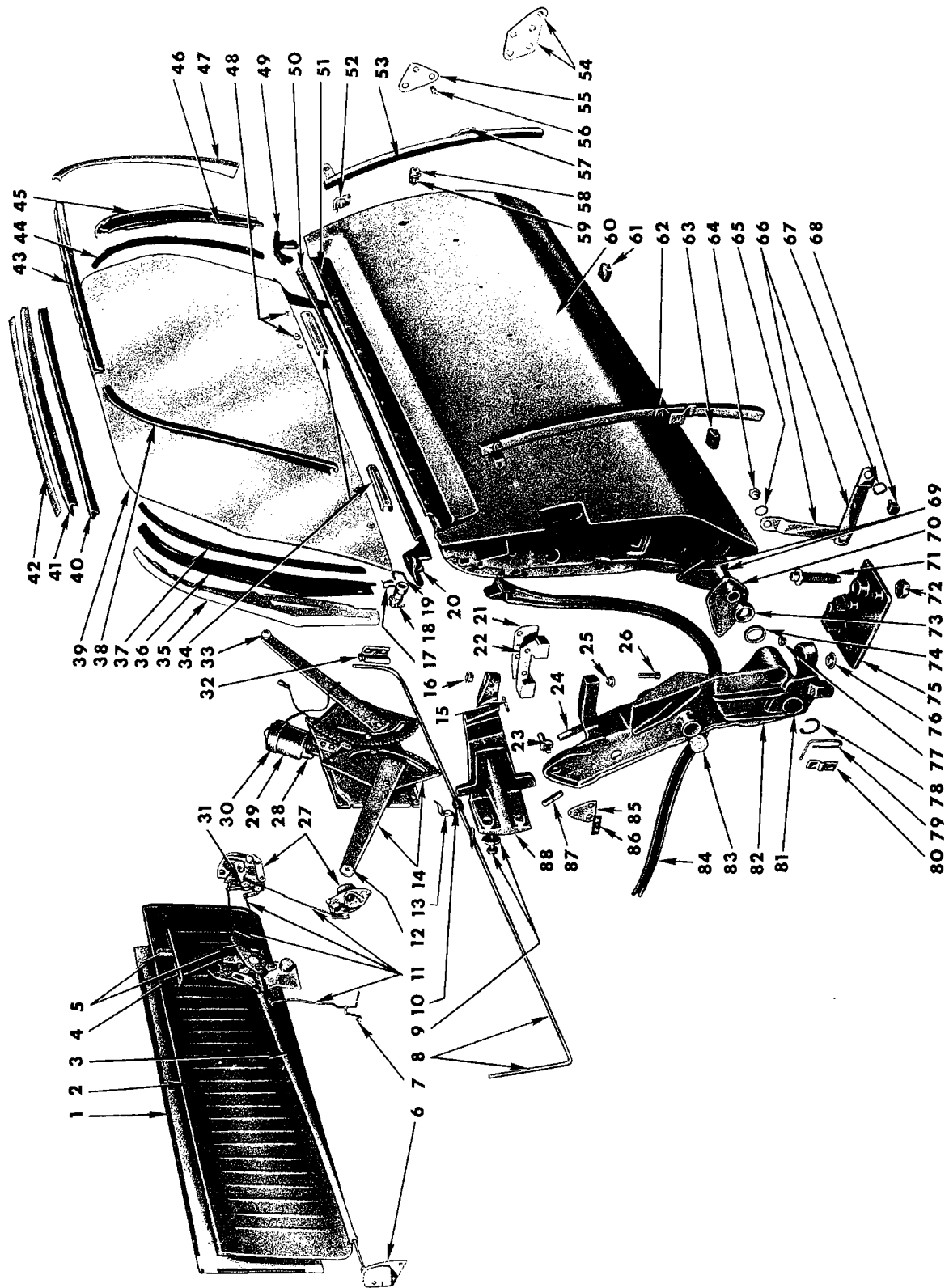


TAILGATE (TWO WAY) - BELVEDERE AND CORONET

TAILGATE (TWO WAY) - BELVEDERE AND CORONET

Ref. No.	Name	Part Type Code	Ref. No.	Name	Part Type Code
1	Cover	23-54-150	65	Switch	23-54-167
2	Nut	23-54-72	66	Gasket	23-54-92
3	Roller	23-54-98	67	Ornament	23-54-11
4	Weatherstrip	23-63-171	68	Gasket	23-17-51
5	Spring	23-54-74	69	Tailgate	23-54-3
6	Mechanism	23-54-165	70	Pin	23-54-4
7	Motor	23-54-160	71	Pin	23-54-4
8	Regulator	23-54-72	72	Bracket	23-54-143
9	Retainer	23-42-32	73	Bushing	23-54-20
10	Run	23-42-46	74	Nut	23-54-40
11	Weatherstrip	23-54-222	75	Spring	23-54-31
12	Run	23-42-46	76	Spacer	23-54-27
13	Moulding	23-23-60	77	Bushing	23-54-20
14	Run	23-42-46	78	Stud	23-54-4
15	Retainer	23-42-32	79	Support	23-54-5
16	Header	23-34-293	80	T/Plate	23-54-136
17	Moulding	23-23-60	81	Nut	23-54-4
18	Label	23-54-70	82	Bushing	23-54-20
19	Glass	23-64-10	83	Hinge	23-54-4
20	Run	23-42-46	84	Bushing	23-54-20
21	Retainer	23-42-32	85	Ring	23-54-20
22	Run	23-42-46	86	Spacer	23-54-27
23	Plate	23-54-6	87	Clamp	23-54-144
24	Striker	23-54-6	88	Support	23-54-5
25	Channel w/Bracket	23-09-67	89	Bolt	23-54-56
26	Switch	23-54-167	90	Washer	23-54-56
27	Latch	23-54-1	91	Link	23-54-56
28	Seal	23-63-37	92	Washer	23-54-56
29	Bezel	23-54-221	93	Bolt	23-54-56
30	Knob	23-54-214	94	
31	Weatherstrip (Outer)	23-63-181	95	Swivel	23-54-216
32	Weatherstrip (Inner)	23-63-181	96	Link	23-54-216
33	Clamp	23-54-144	97	Clip	23-54-217
34	Swivel	23-54-216	98	Spring (Serviced in 23-54-218) . .	
35	Link	23-54-216	99	Link	23-54-216
36	Control	23-54-218	100	Link w/Sleeve	23-54-216
37	Clip	23-54-217	101	Clip	23-54-217
38	Link	23-54-216	102	Clip	23-54-217
39	Retainer	23-54-141	103	Spring (Serviced in 23-54-218) . .	
40	Bearing	23-54-142	104	Control	23-54-218
41	Link w/Sleeve	23-54-216	105	Housing	23-54-100
42	Bar	23-54-140	106	Pawl (Serviced in 23-54-73)	
43	Latch	23-54-1	107	Ring	23-54-77
44	Wedge	23-54-21	108	Base (Serviced in 23-54-73)	
45	Striker	23-54-6	109	Pin (Serviced in 23-54-73)	
46	Bearing	23-54-142	110	Lever (Serviced in 23-54-73)	
47	Gasket	23-63-181	111	Handle	23-54-73
48	Fastener	23-64-272	112	Cylinder and Keys	23-17-2
49	Frame	23-09-64	113	Set Screw	23-54-102
50	Shim	23-54-27	114	Retainer (Serviced in 23-54-73) . .	
51	Strap	23-54-4	115	Spring (Serviced in 23-54-73)	
52	Screw w/Washer	23-54-4	116	Clip	23-54-128
53	Pin	23-54-4	117	Hinge (Serviced in 23-54-4)	
54	Nut	Not Serviced	118	Rivet (Serviced in 23-54-4)	
55	T/Plate	23-54-6	119	Link (Serviced in 23-54-4)	
56	Stud	23-54-4	120	Rivet (Serviced in 23-54-4)	
57	Channel w/Bracket	23-09-67	121	Washer (Serviced in 23-54-4)	
58	Seal	23-63-37	122	Link (Serviced in 23-54-4)	
59	Link	23-54-216	123	Rivet (Serviced in 23-54-4)	
60	Striker	23-54-6	124	Rivet (Serviced in 23-54-4)	
61	Swivel	23-54-216	125	Nut	23-54-40
62	Latch	23-54-1	126	Spring	23-54-31
63	Retainer	23-17-52	127	Bushing	23-54-20
64	Cylinder and Key Package	23-17-2			

PARTS INDICATED BY NAME ONLY - ORDER BY DESCRIPTION



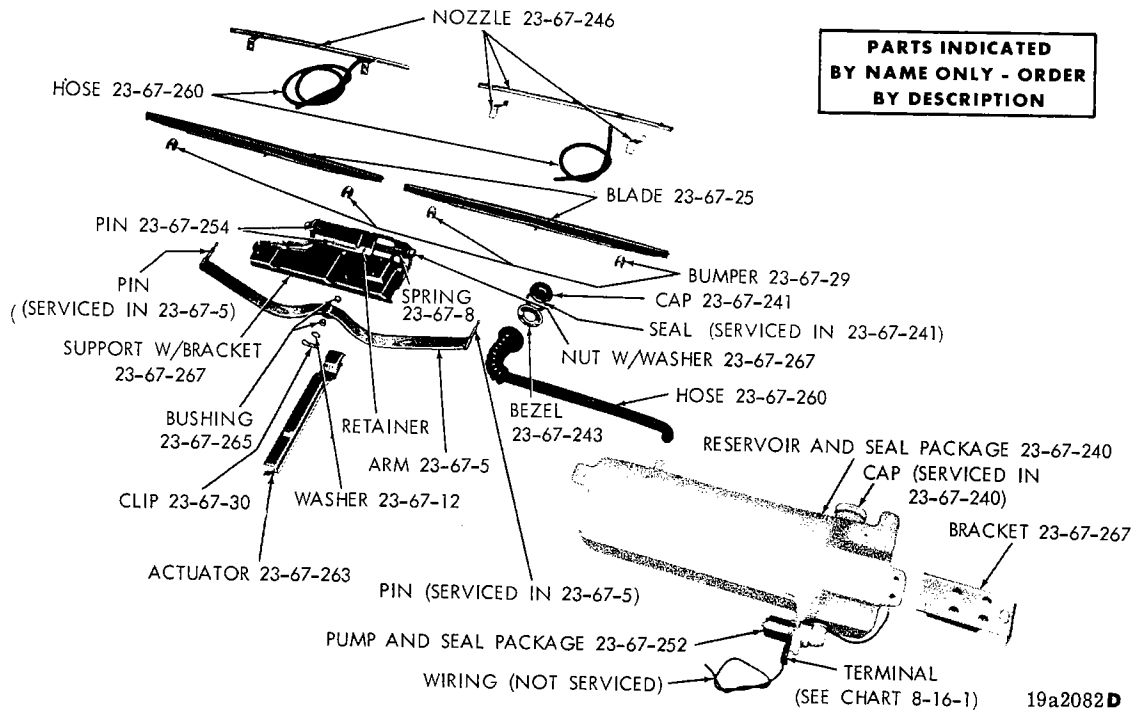
19a12773

TAILGATE (TWO WAY) - PLYMOUTH, DODGE AND CHRYSLER

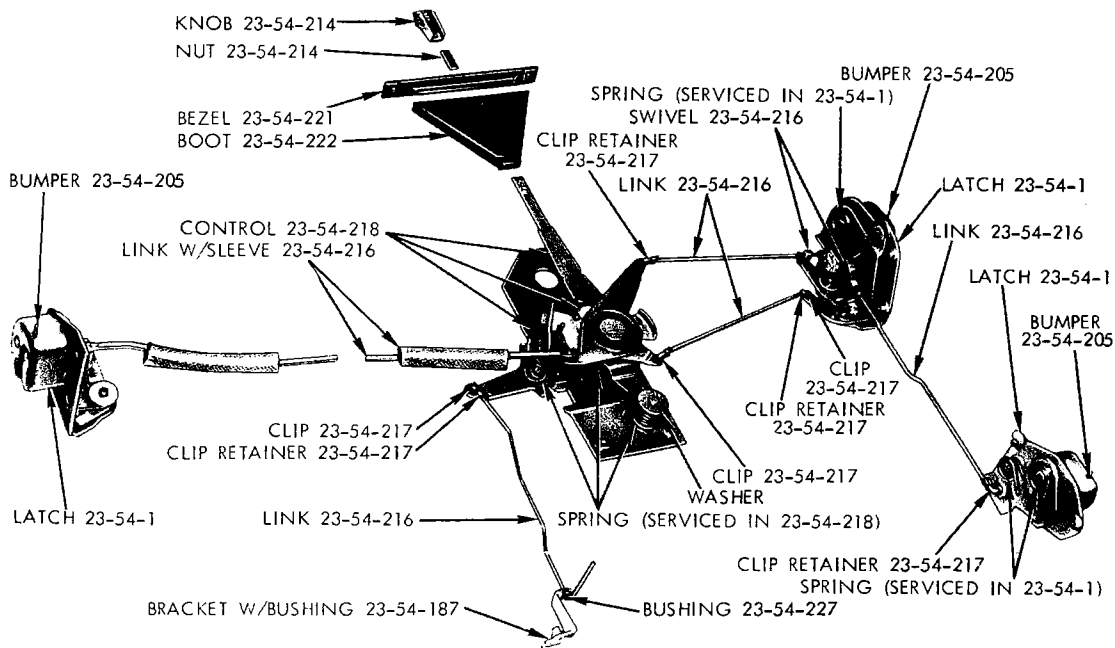
TAILGATE (TWO WAY) - PLYMOUTH, DODGE AND CHRYSLER

Ref. No.	Name	Part Type Code	Ref. No.	Name	Part Type Code
1	Carpet	23-79-79	46	Run or Weatherstrip (Inner)	23-42-46
2	Cover	23-54-150	47	Moulding	23-23-60
3	Link w/Sleeve	23-54-216	48	Fastener	23-09-64, 23-64-272
4	Boot	23-54-222			
5	Control	23-54-218	49	Seal	23-63-37
6	Latch	23-54-1	50	Weatherstrip (Inner)	23-63-181
7	Bracket w/Bushing	23-54-187	51	Weatherstrip (Outer)	23-63-181
8	Bar	23-54-140	52	Switch	23-54-167
9	Screw w/Washer		53	Run	23-42-46
10	Bearing	23-54-142	54	Striker	23-54-6
11	Link	23-54-216	55	Plate	23-54-6
12	Slide	23-54-88	56	Striker	23-54-6
13	Retainer	23-54-141	57	Channel w/Bracket	23-09-67
14	Regulator	23-54-72	58	Cylinder and Key Package	23-17-2
15	Pin	23-54-17	59	Gasket	23-17-51
16	Bushing	23-54-20	60	Tailgate	23-54-3
17	Retainer	23-17-52	61	Bumper	23-54-103
18	Switch	23-54-167	62	Channel w/Bracket	23-09-67
19	Retainer	23-17-52	63	Bumper	23-54-103
20	Seal	23-63-37	64	Bolt	23-54-56
21	Plate (Serviced in 23-54-21)		65 ^F	Washer	23-54-56
22	Wedge	23-54-21	66	Link	23-54-56
23	Striker	23-54-6	67	Washer	23-54-56
24	Stud	23-54-4	68	Bolt	23-54-56
25	Bushing	23-54-20	69	Support	23-54-5
26	Pin	23-54-17	70	Clamp	23-54-144
27	Latch	23-54-1	71	Pin	23-54-4
28	Mechanism	23-54-165	72	Nut	23-54-4
29	Motor	23-54-160	73	Spacer	23-54-27
30	Pad	23-54-78	74	Bushing	23-54-20
31	Swivel	23-54-216	75	Support	23-54-5
32	Clamp	23-54-144	76	Bushing	23-54-20
33	Slide	23-54-88	77	Spacer	23-54-27
34	Channel	23-09-64	78	Ring	23-54-20
35	Retainer	23-42-32	79	Bar	23-54-140
36	Run or Weatherstrip (Inner)	23-42-46	80	Bracket	23-54-143
37	Run or Weatherstrip (Outer)	23-42-46	81	Bushing	23-54-20
38	Moulding	23-23-60	82	Hinge	23-54-4
39	Glass	23-64-10	83	Bearing	23-54-142
40	Weatherstrip	23-42-55	84	Weatherstrip	23-63-171
41	Retainer	23-42-32	85	T/Plate	23-54-6
42	Seal	23-42-55	86	Nut	Not Serviced
43	Moulding	23-23-60	87	Stud	23-54-4
44	Run or Weatherstrip (Outer)	23-42-46	88	Hinge	23-54-4
45	Retainer	23-42-32			

PARTS INDICATED BY NAME ONLY - ORDER BY DESCRIPTION

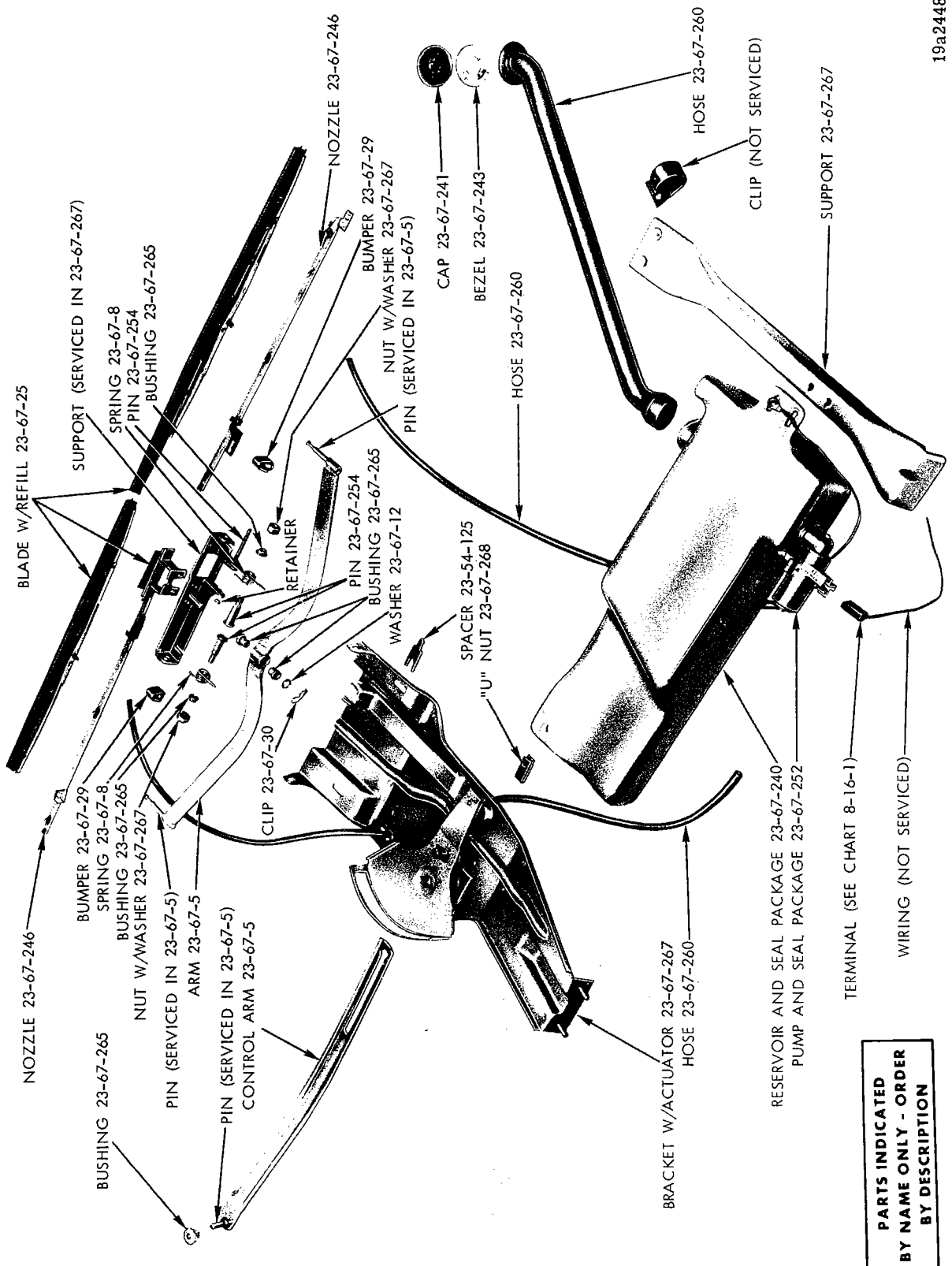


TAILGATE WINDOW WASHER AND WIPER - BELVEDERE AND CORONET



19a2775

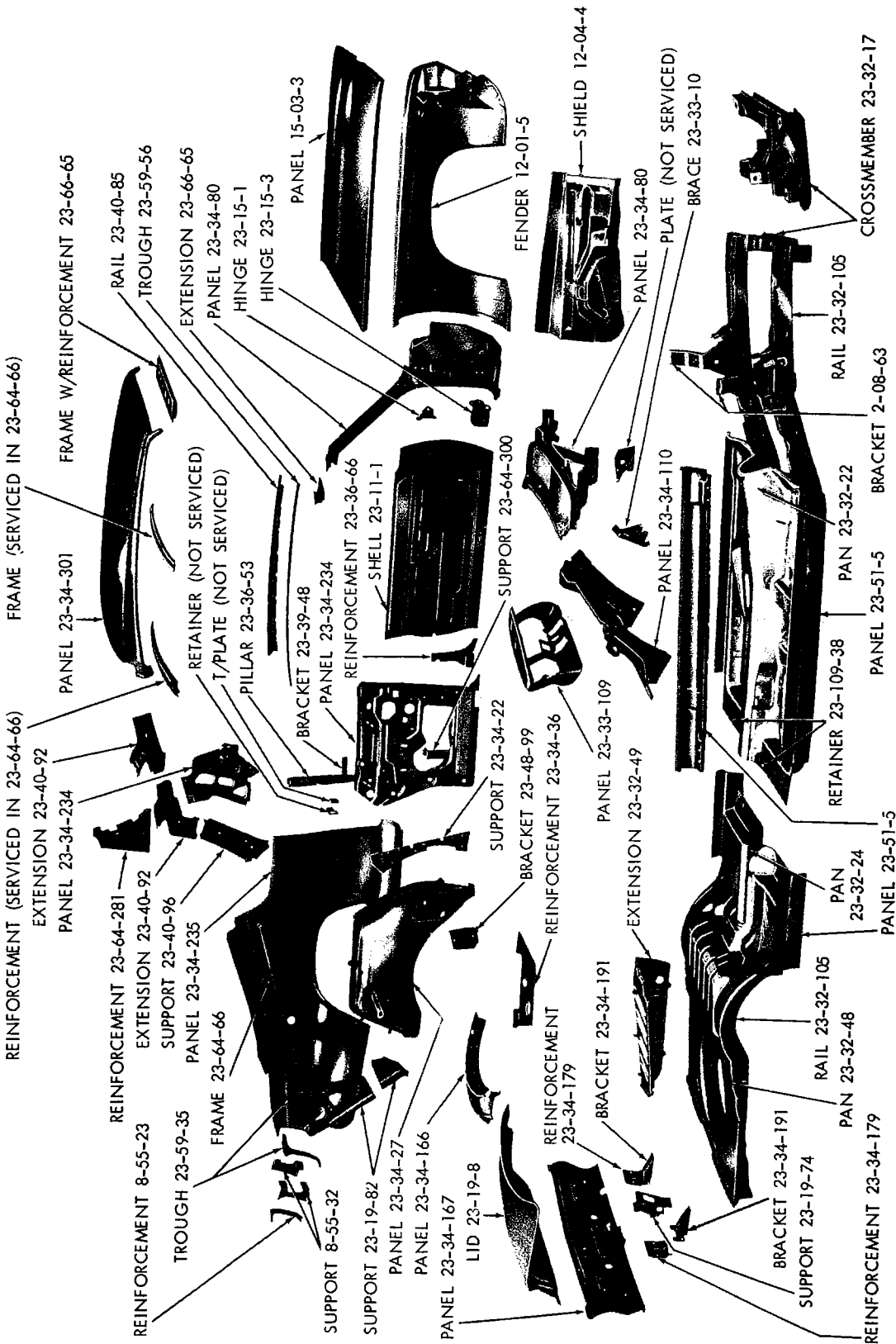
TWO WAY TAILGATE CONTROLS - PLYMOUTH, DODGE AND CHRYSLER



**PARTS INDICATED
BY NAME ONLY - ORDER
BY DESCRIPTION**

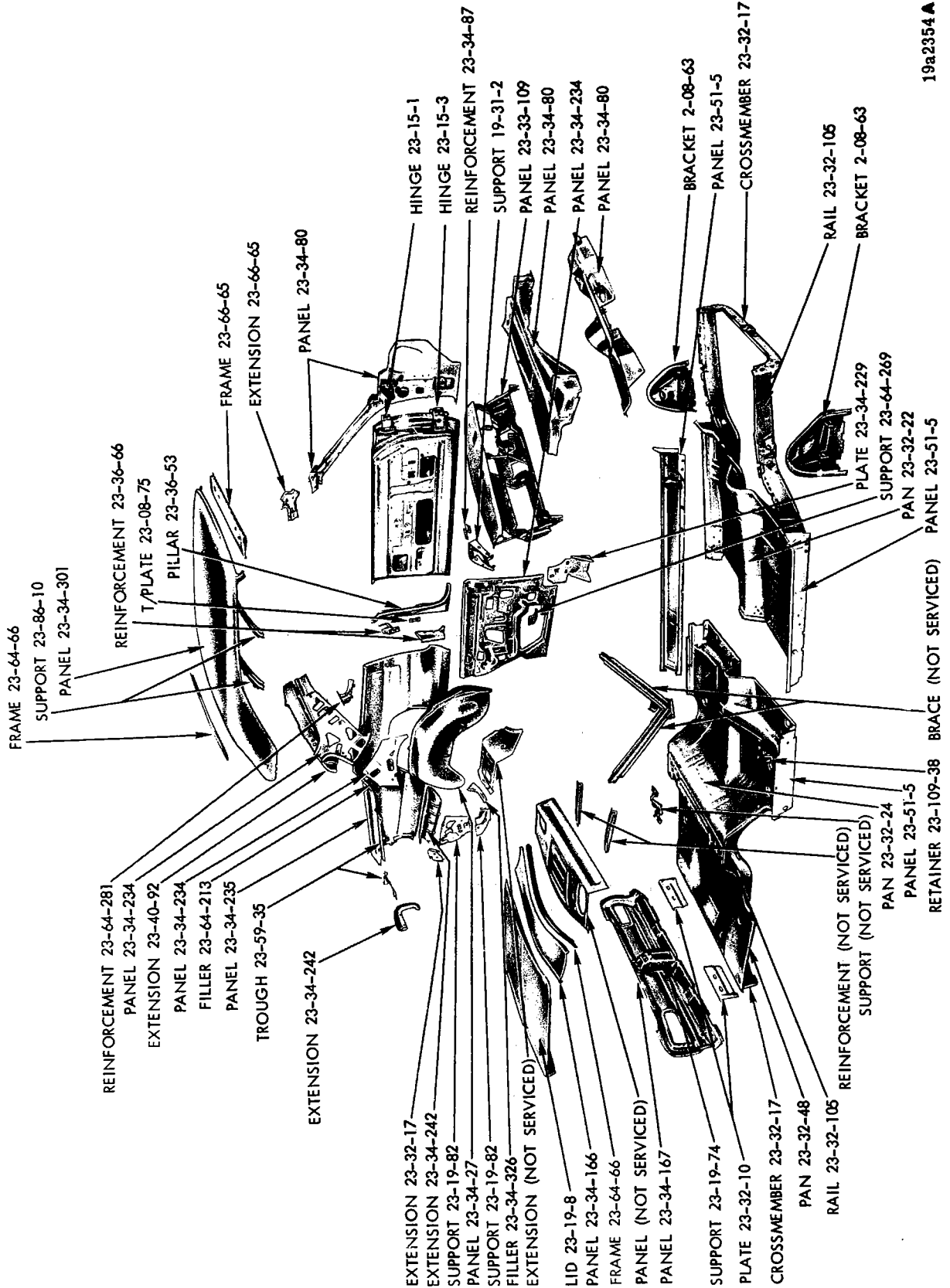
19a2448

TAILGATE WINDOW WASHER AND WIPER - PLYMOUTH, DODGE AND CHRYSLER



19a1055 A

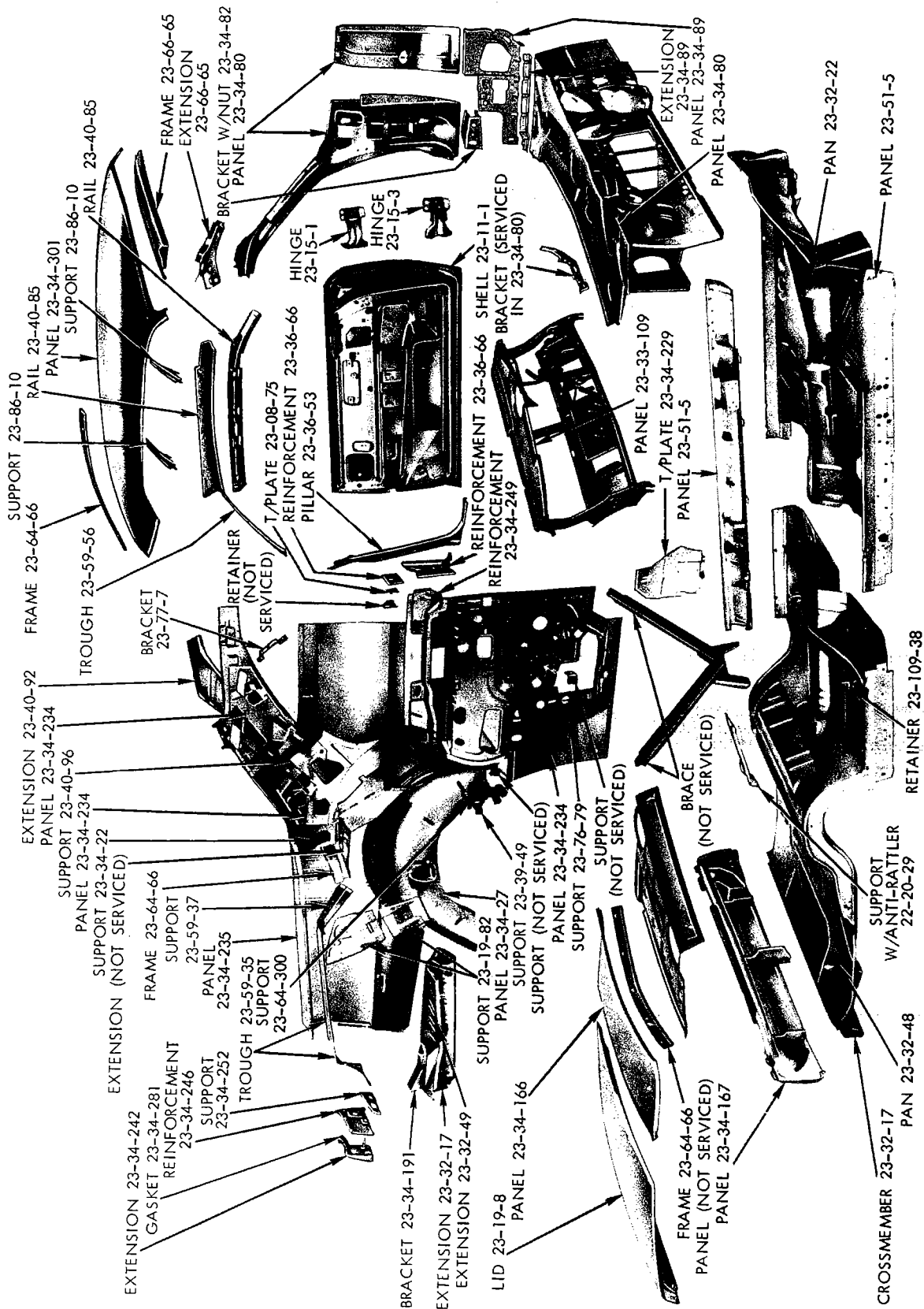
BODY IN WHITE - BARRACUDA (TYPICAL OF VALIANT AND DART)



19a2354A

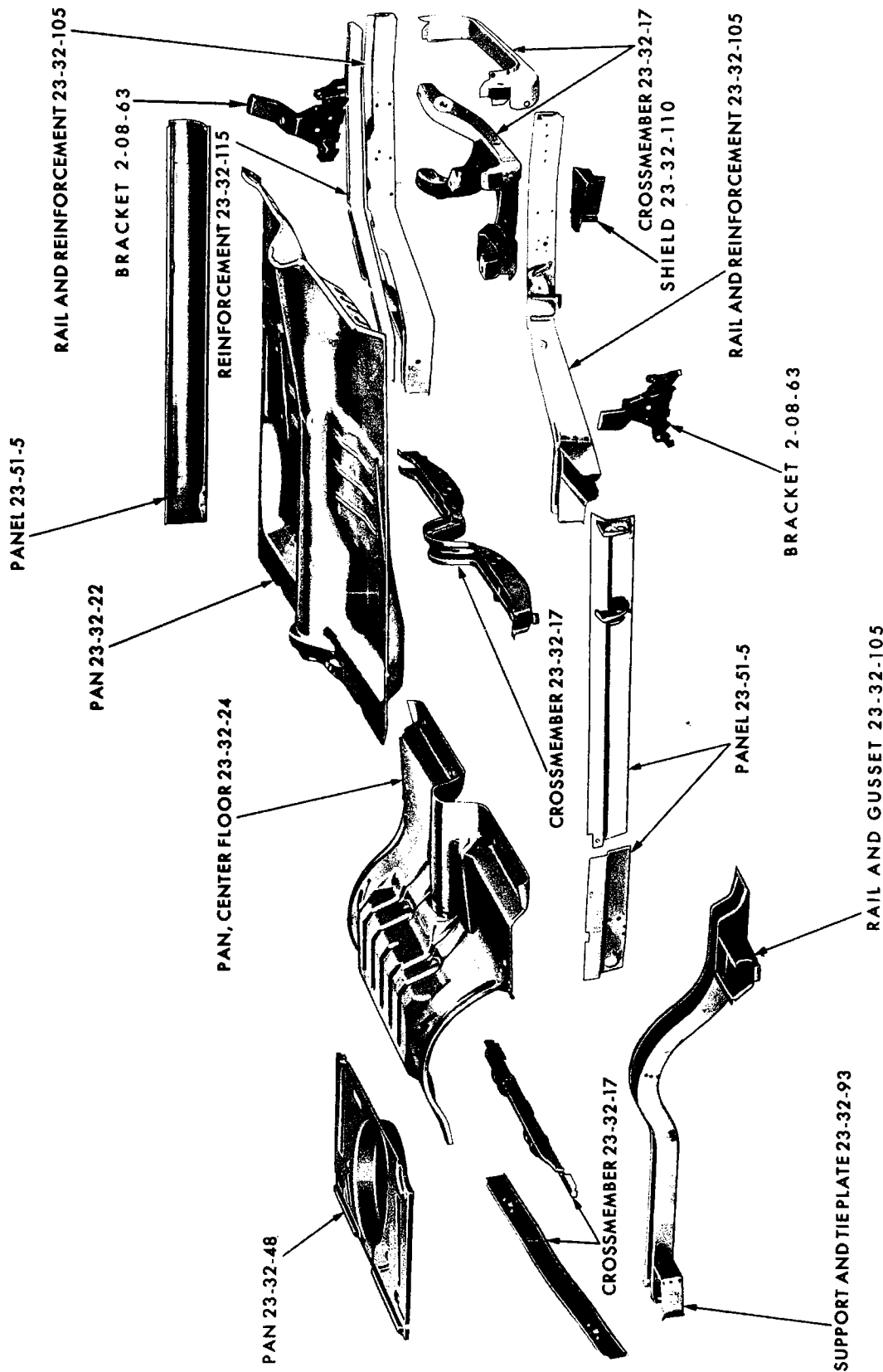
BODY IN WHITE - BELVEDERE AND CORONET 2 DOOR HARDTOP

1969 PASSENGER CAR PARTS CATALOG



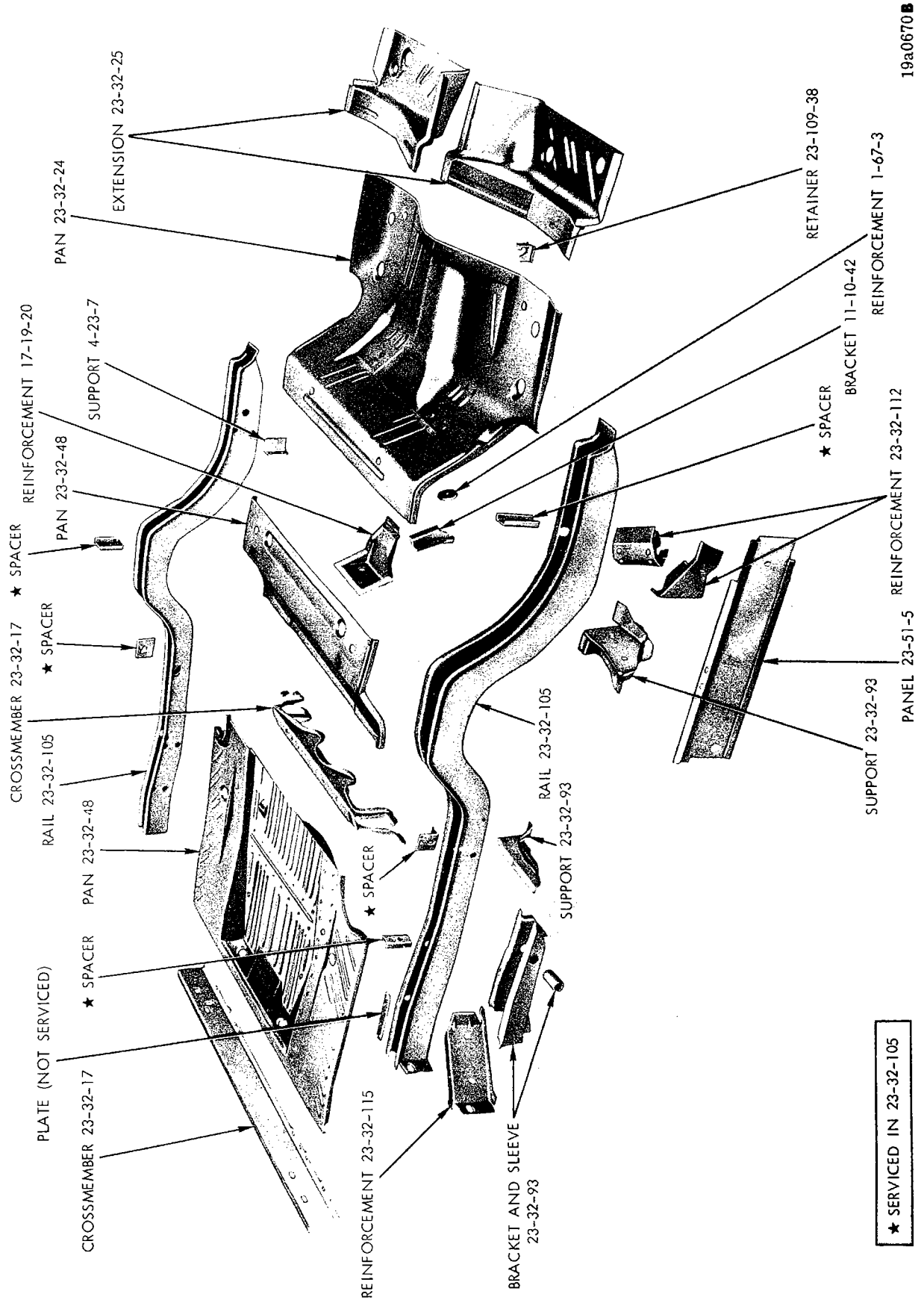
19a2772 A

BODY IN WHITE - IMPERIAL 2 DOOR HARTOP (TYPICAL OF PLYMOUTH, DODGE AND CHRYSLER)



19x9797 E

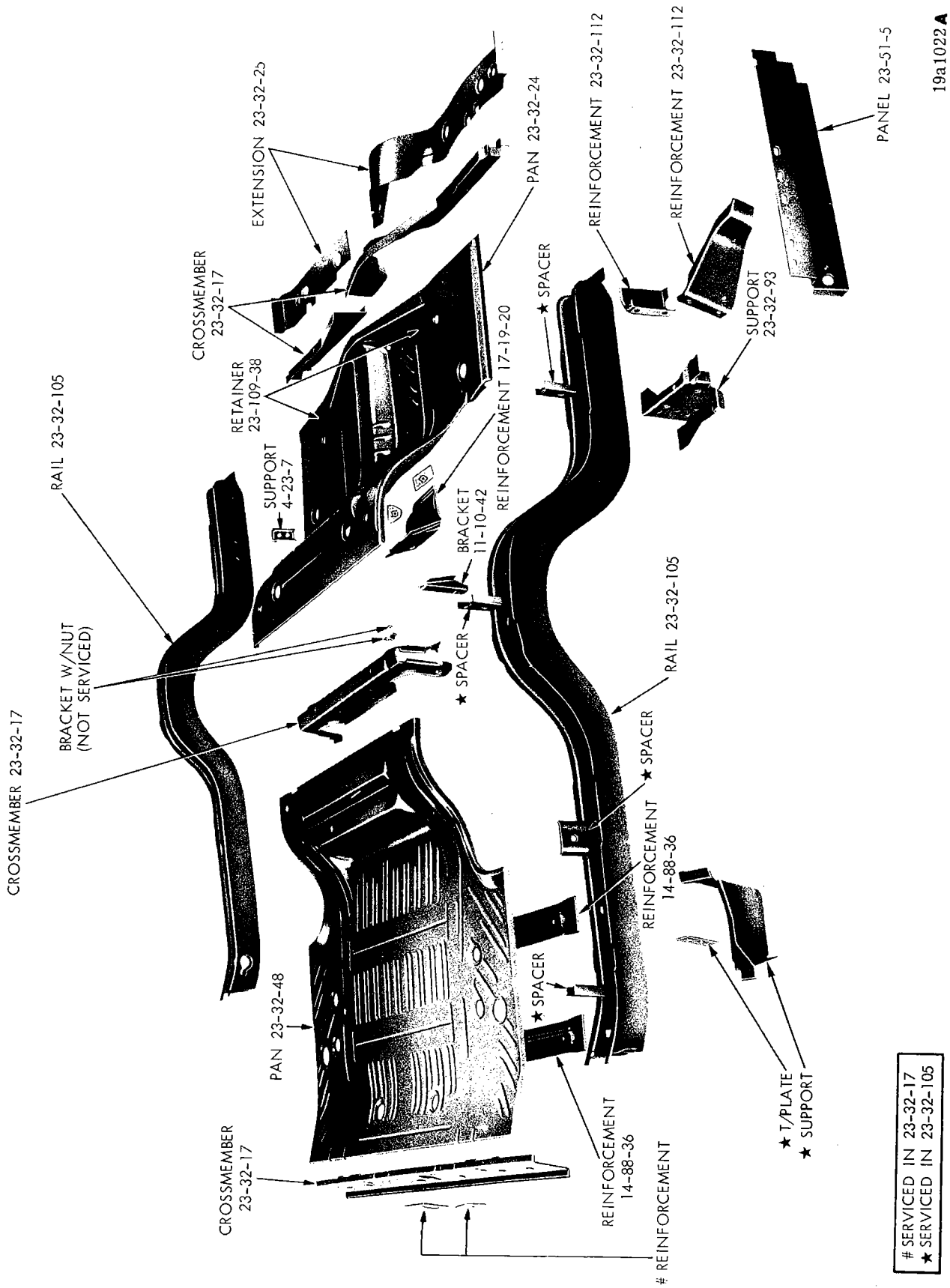
UNDERBODY - VALIANT AND DART



★ SERVICED IN 23-32-105

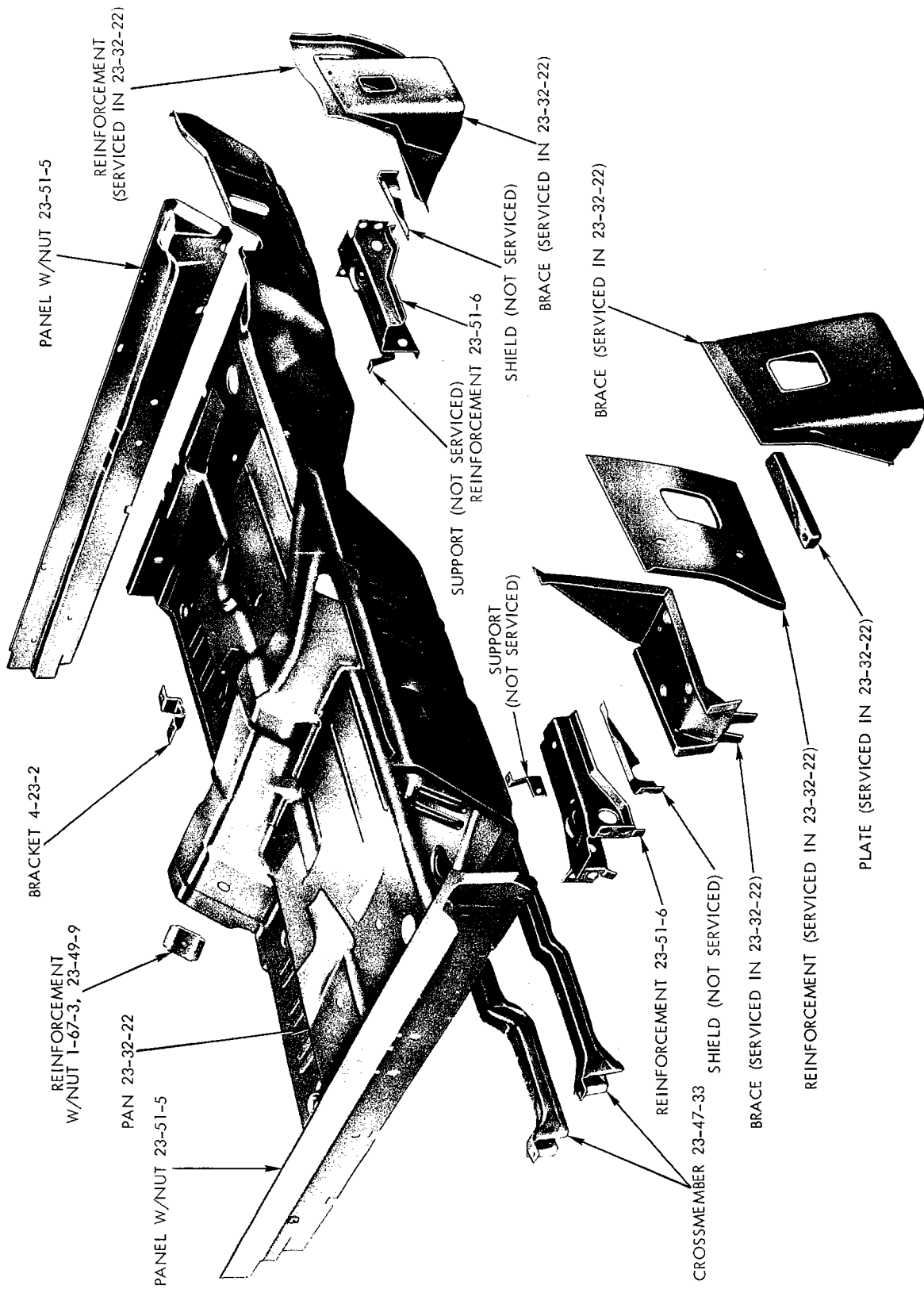
19a0670 B

UNDERBODY - BELVEDERE AND CORONET (TYPICAL OF BARRACUDA AND CHALLENGER)



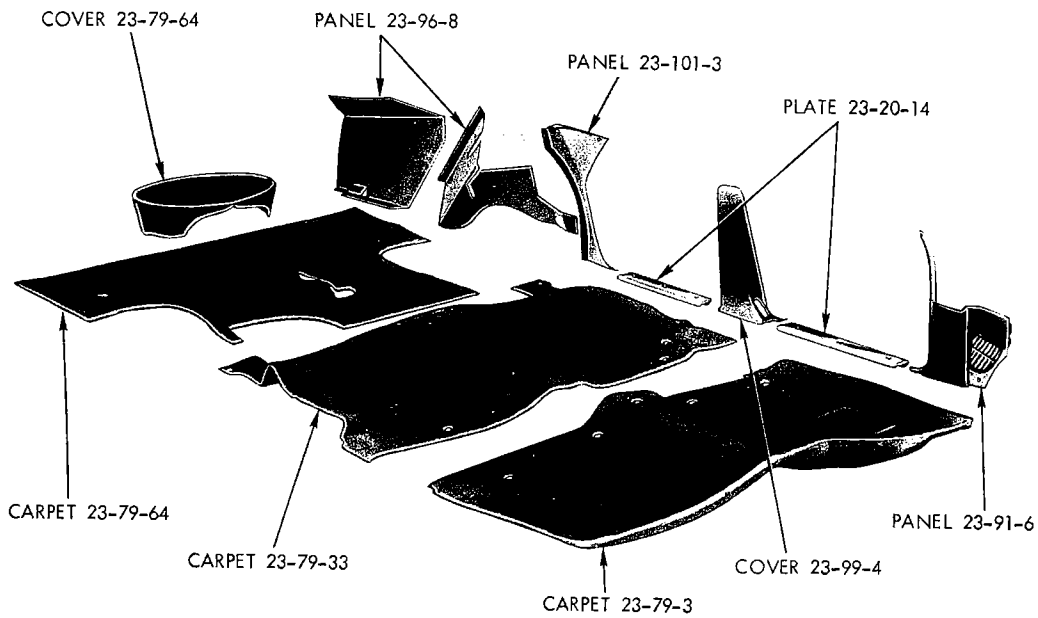
REAR UNDERBODY - PLYMOUTH, DODGE, CHRYSLER AND IMPERIAL

SERVICED IN 23-32-17
★ SERVICED IN 23-32-105



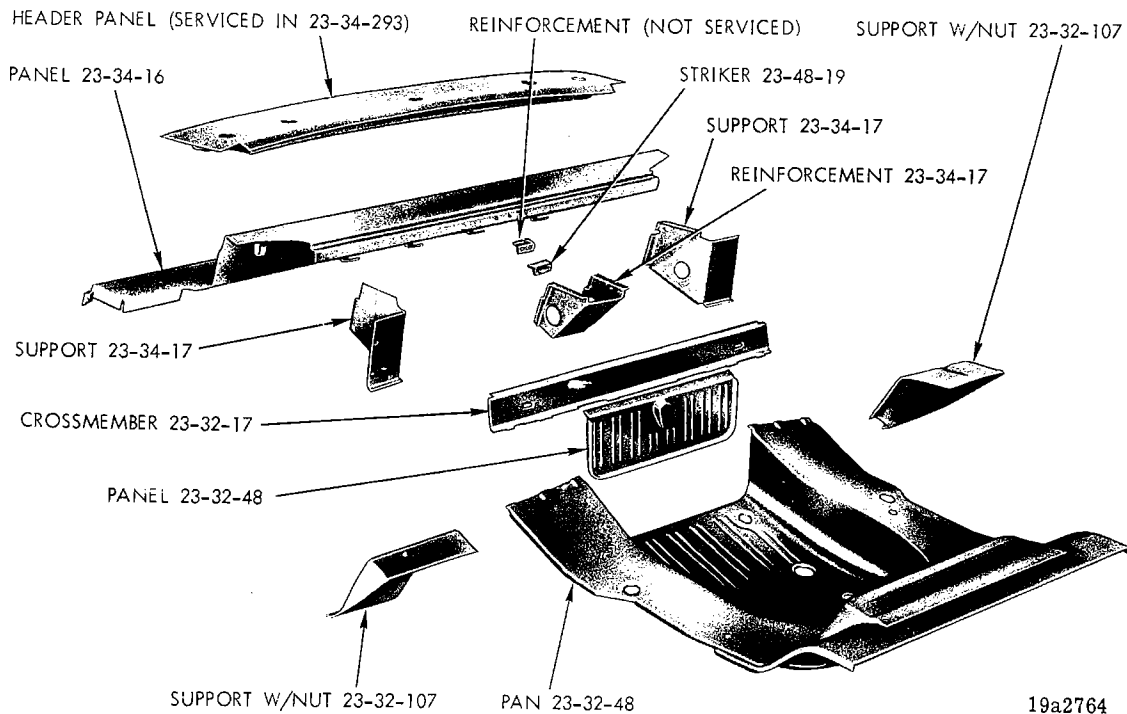
19a2778

FRONT FLOOR PAN - PLYMOUTH, DODGE, CHRYSLER AND IMPERIAL



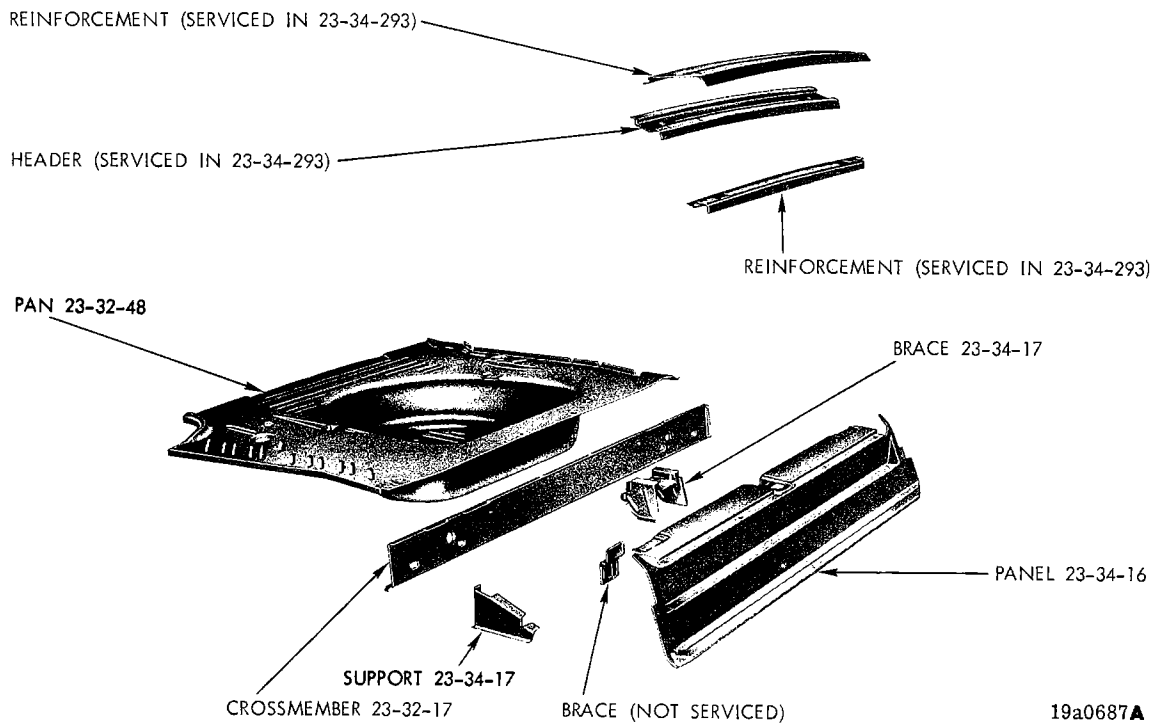
19a2774

INTERIOR FLOOR MATS AND SCUFF PLATES

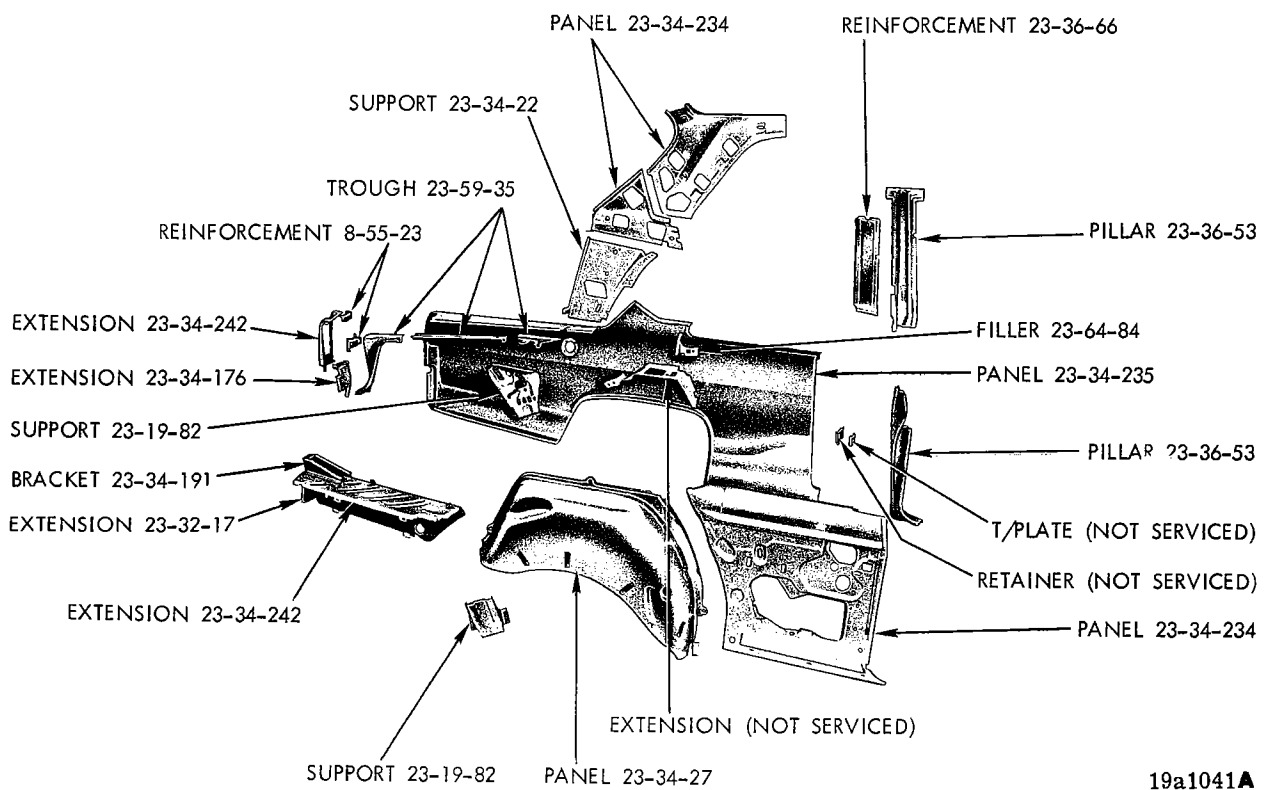


19a2764

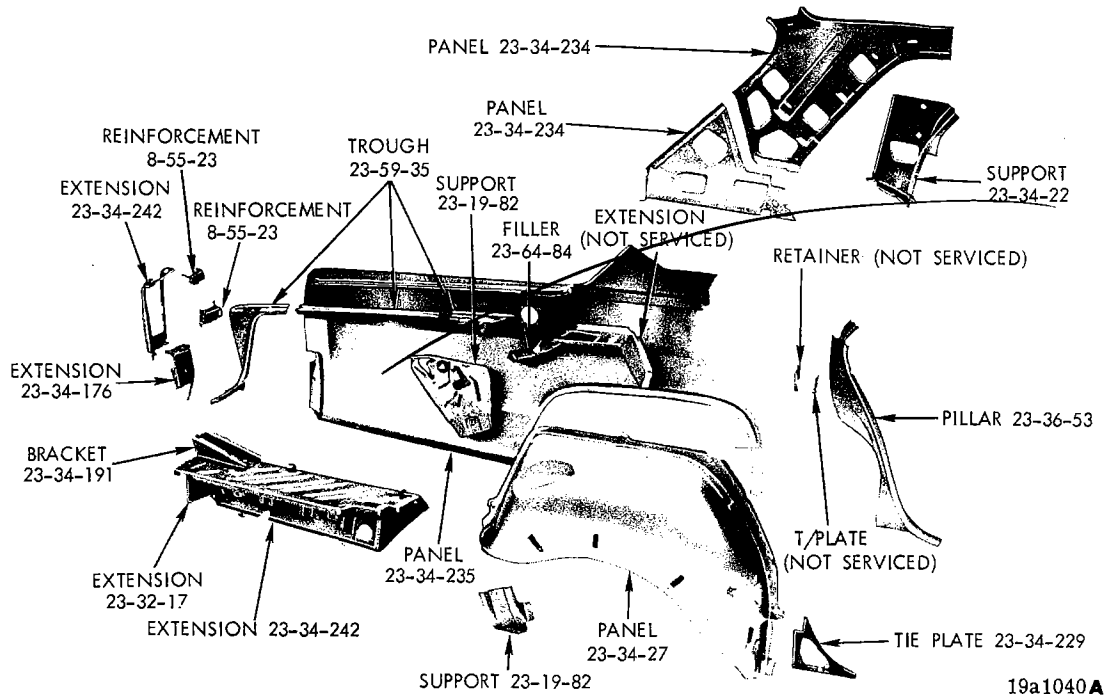
REAR FLOOR PAN - PLYMOUTH, DODGE AND CHRYSLER STATION WAGONS



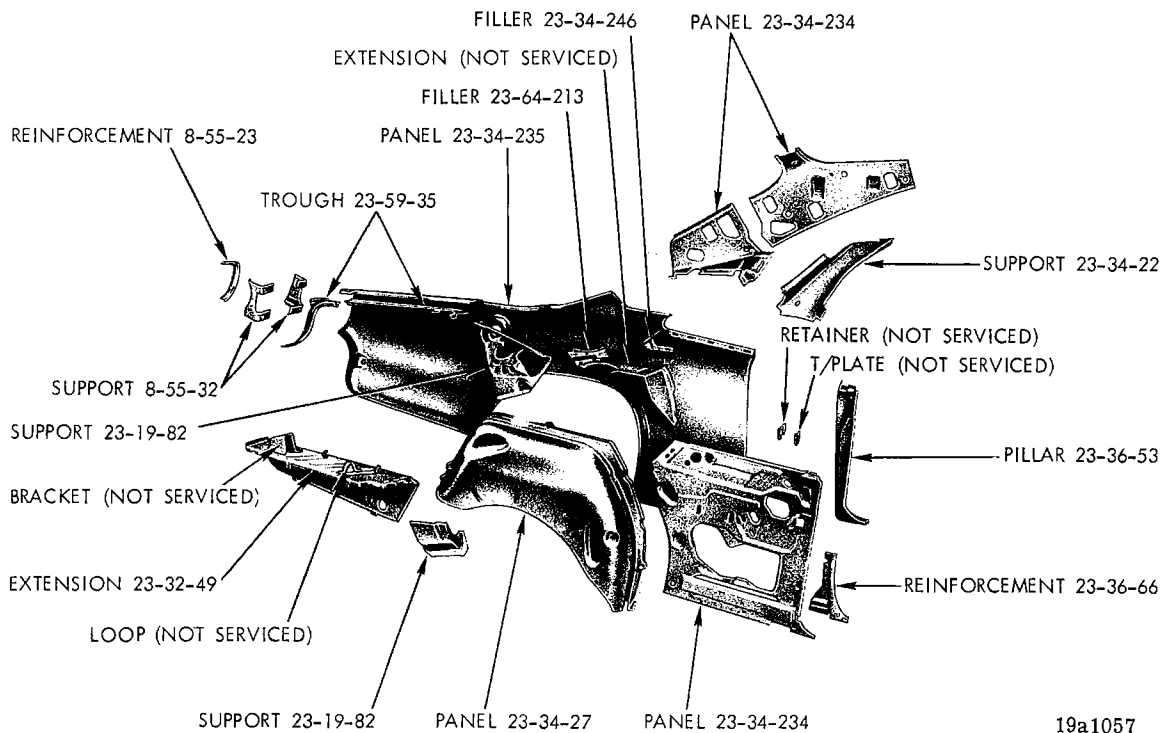
REAR FLOOR PAN - BELVEDERE AND CORONET STATION WAGON



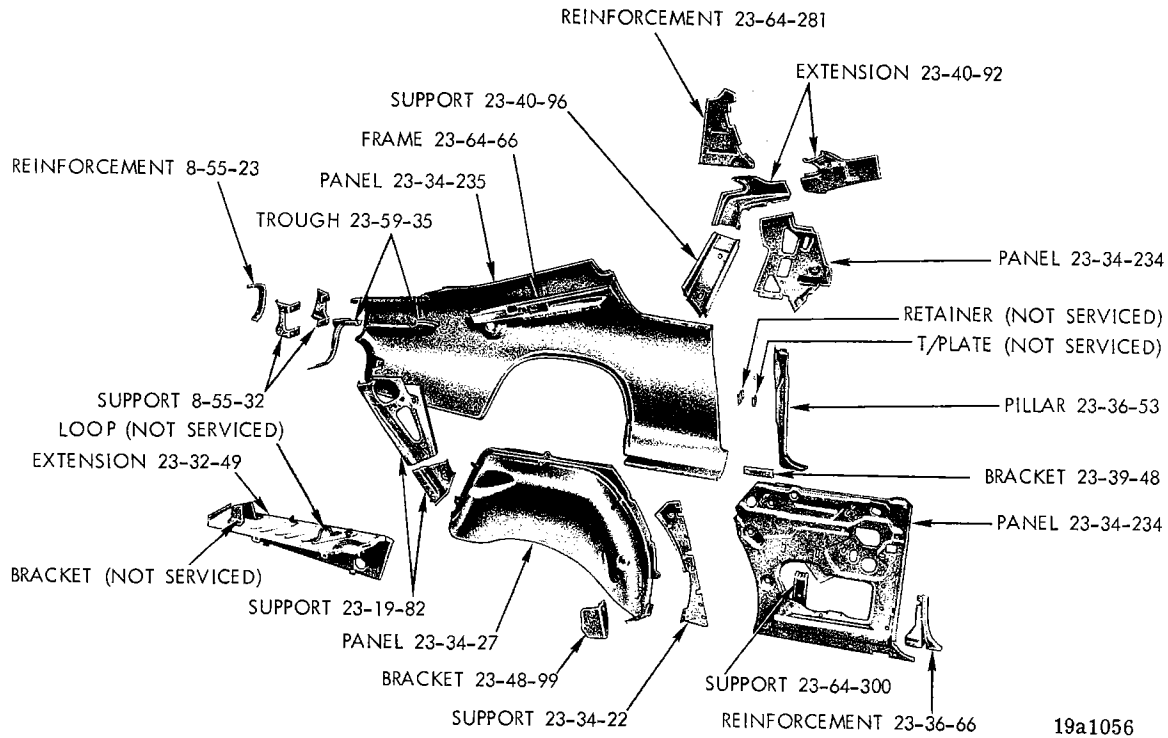
REAR QUARTER PANEL - VALIANT 2 DOOR SEDAN



REAR QUARTER PANEL - VALIANT 4 DOOR SEDAN

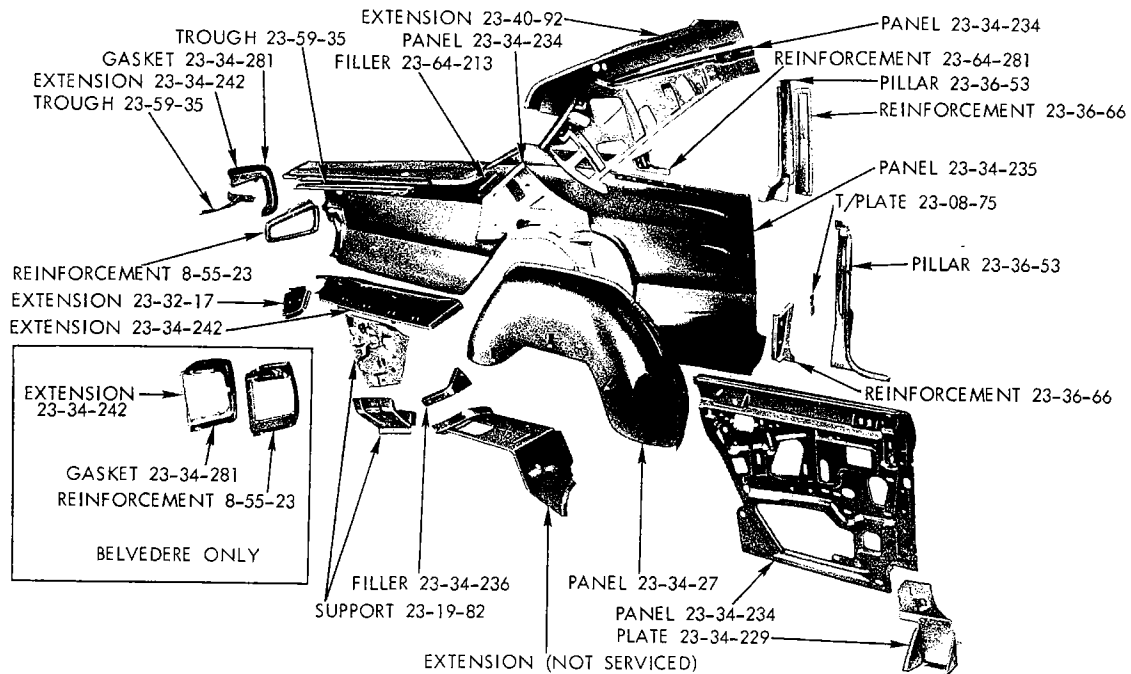


REAR QUARTER PANEL - BARRACUDA 2 DOOR HARDTOP



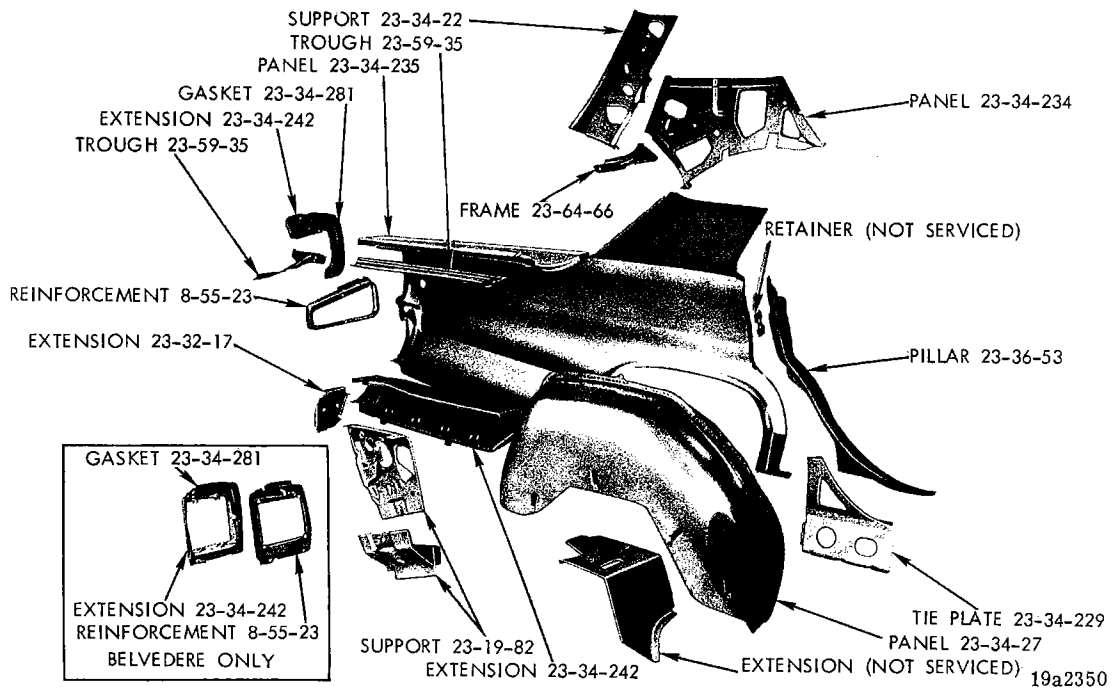
19a1056

REAR QUARTER PANEL - BARRACUDA SPORTS FAST BACK

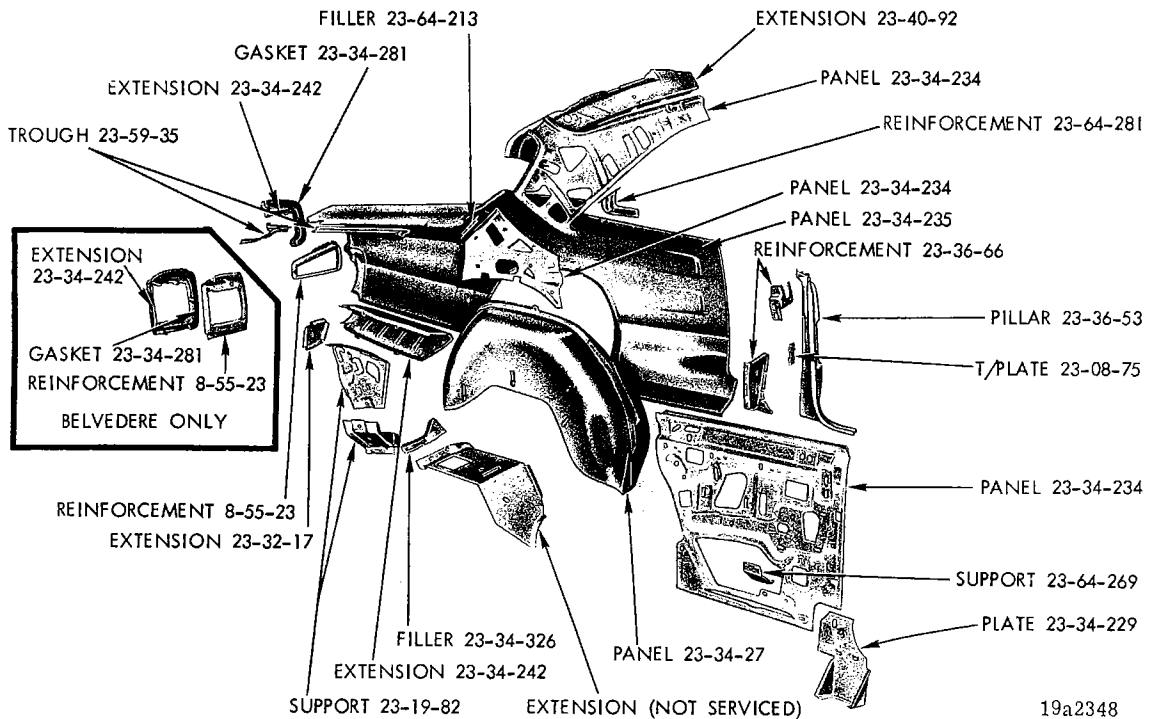


19a2349

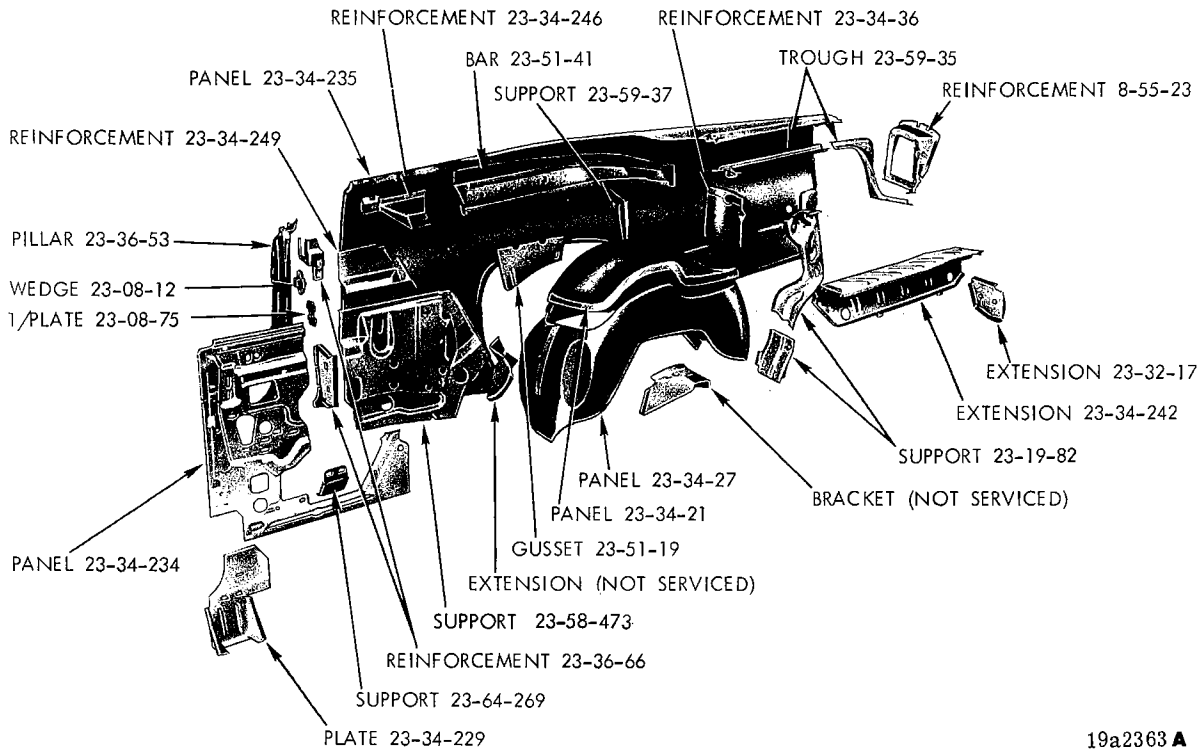
REAR QUARTER PANEL - CORONET 2 DOOR SEDAN
(WITH BELVEDERE TAIL LIGHT OPENING INSERT)



REAR QUARTER PANEL - BELVEDERE AND CORONET 4 DOOR SEDAN

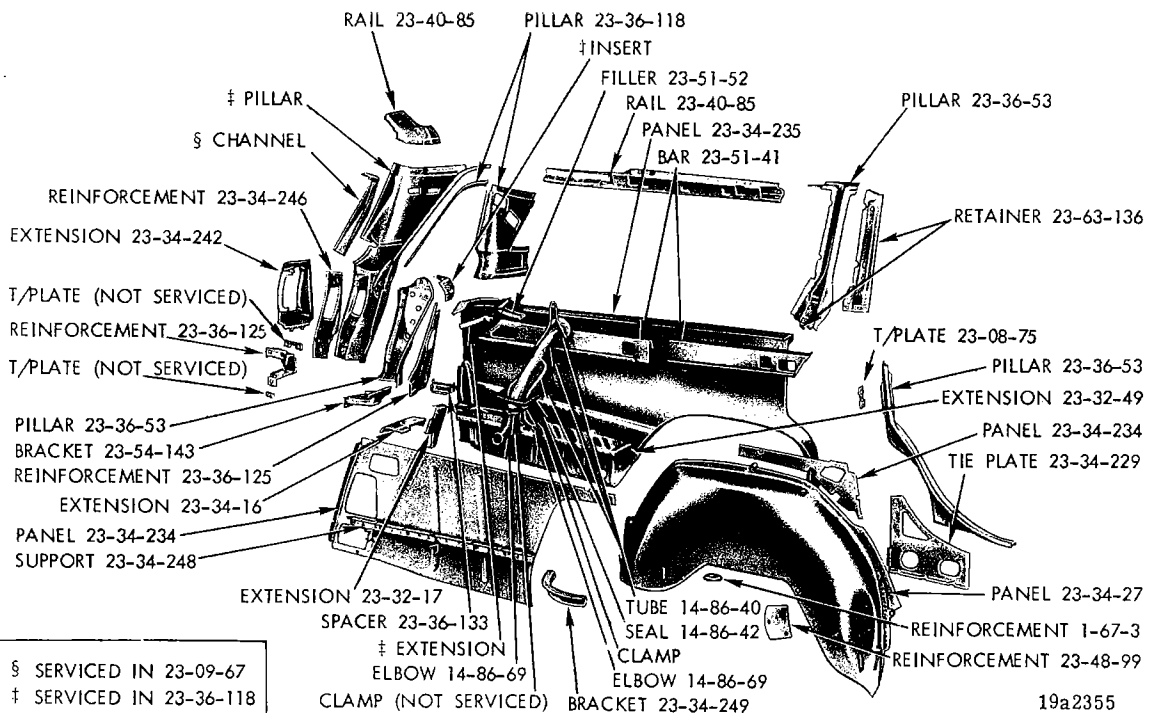


REAR QUARTER PANEL - CORONET 2 DOOR HARDTOP
(WITH BELVEDERE TAIL LIGHT OPENING INSERT)



19a2363 A

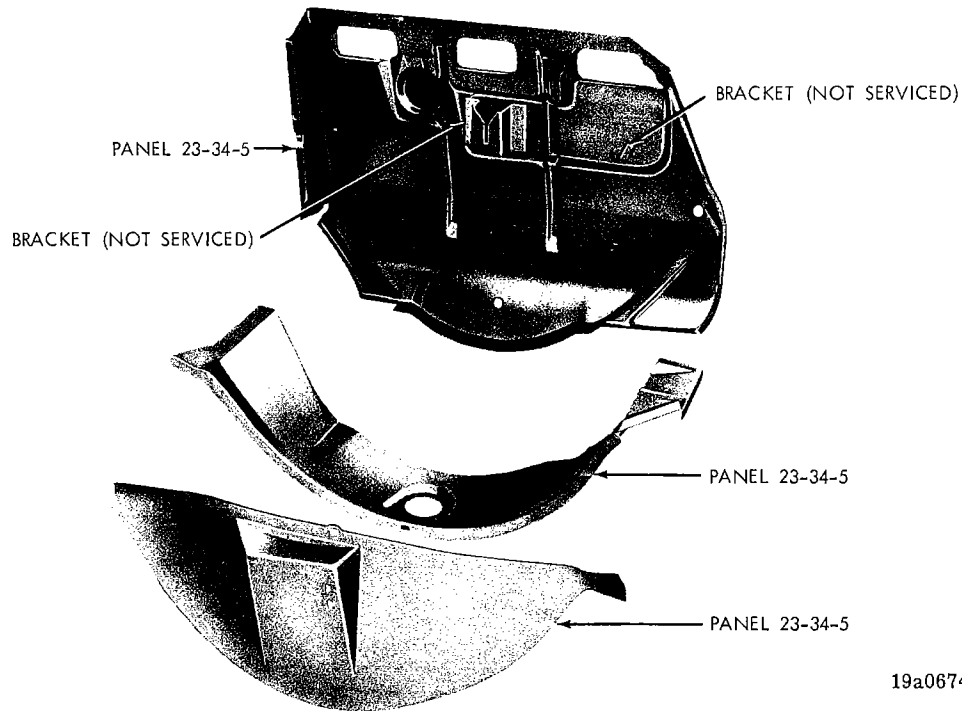
REAR QUARTER PANEL - BELVEDERE AND CORONET CONVERTIBLE COUPE



§ SERVICED IN 23-09-67
 † SERVICED IN 23-36-118

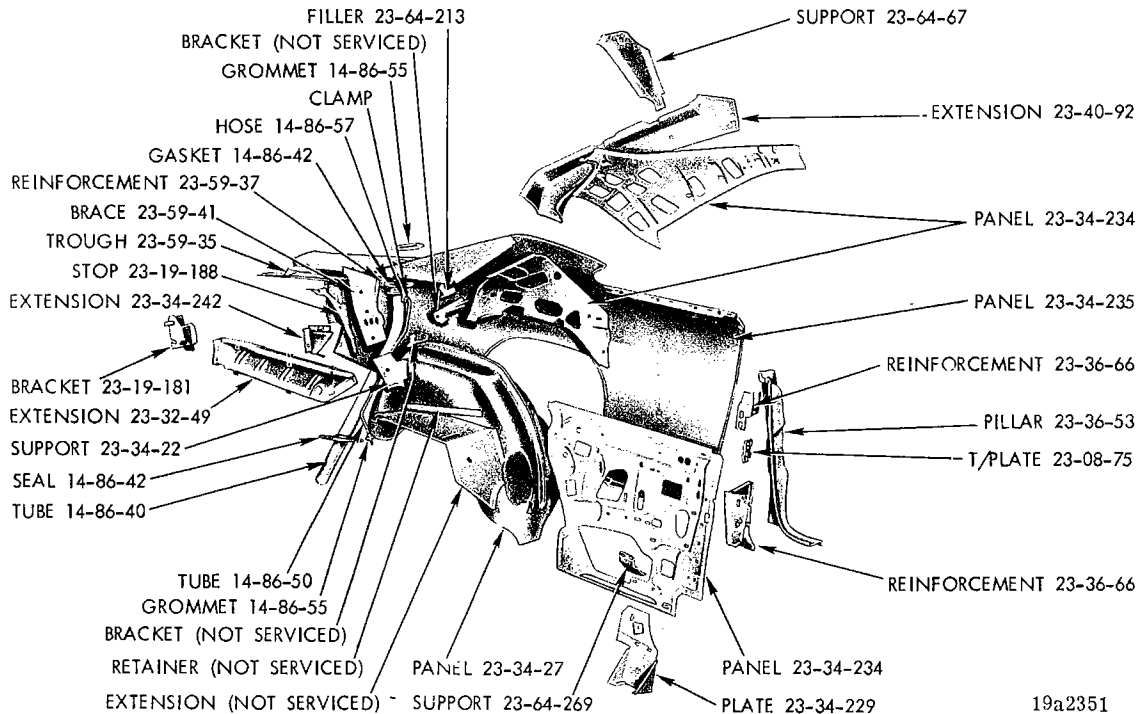
19a2355

REAR QUARTER PANEL - BELVEDERE AND CORONET STATION WAGON



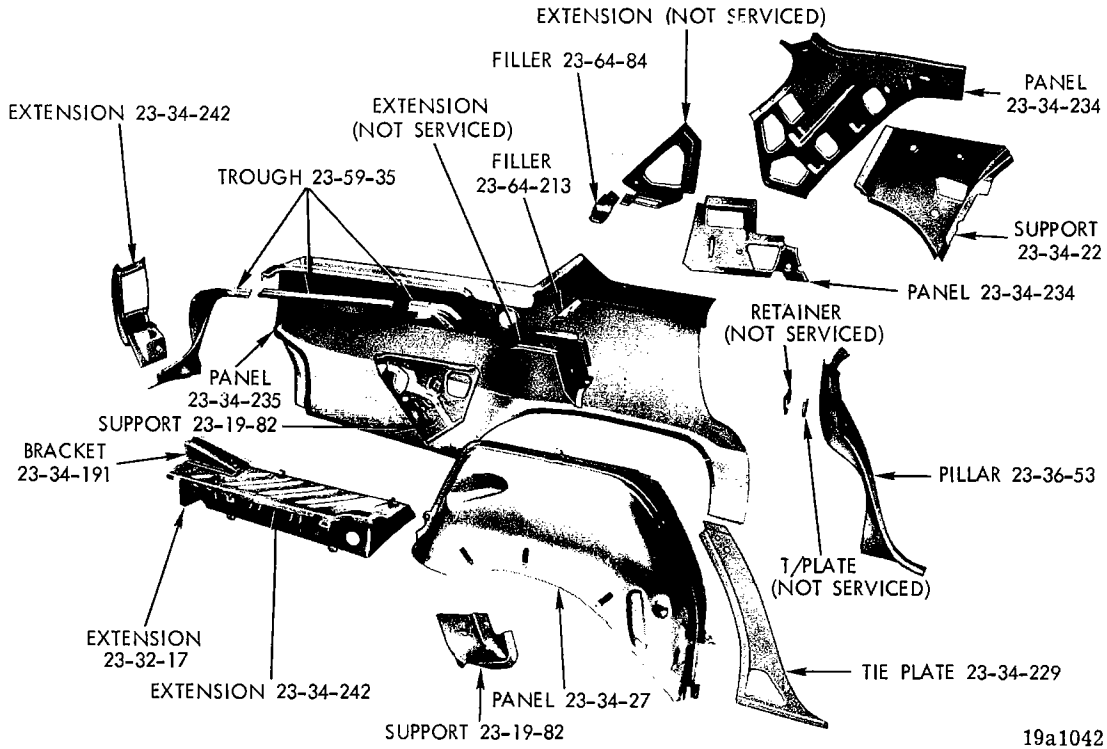
19a0674 A

REAR QUARTER PANEL SPARE TIRE CARRIER -
BELVEDERE AND CORONET STATION WAGON



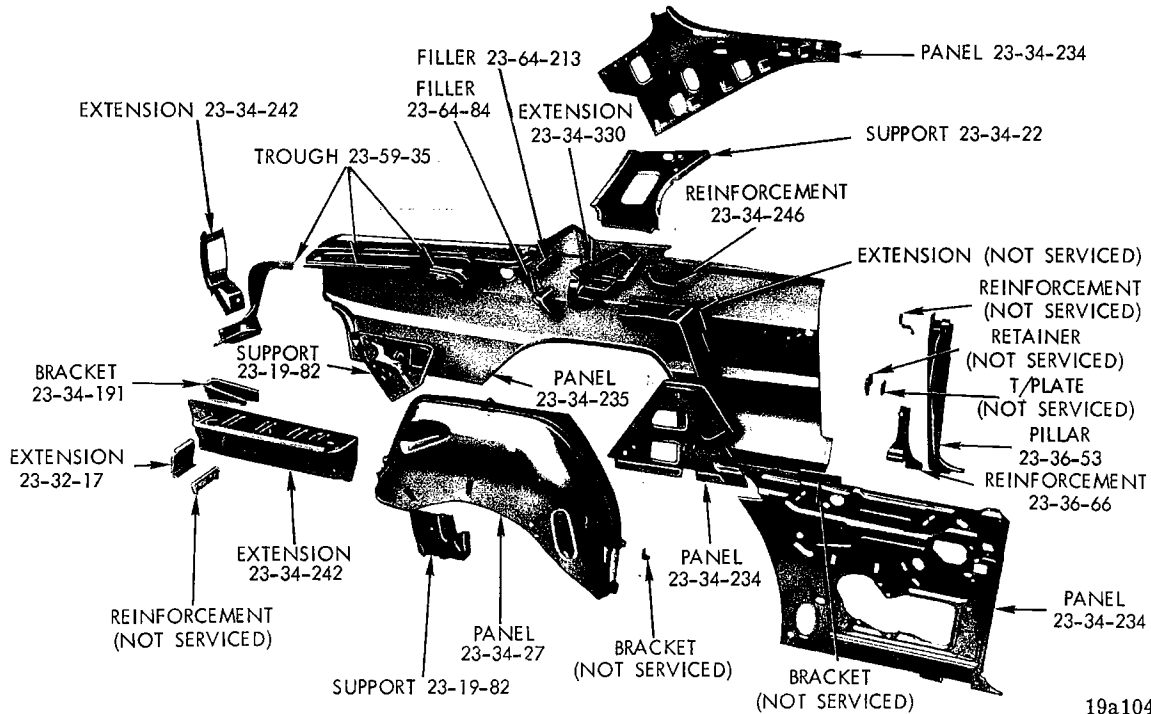
19a2351

REAR QUARTER PANEL - CHARGER



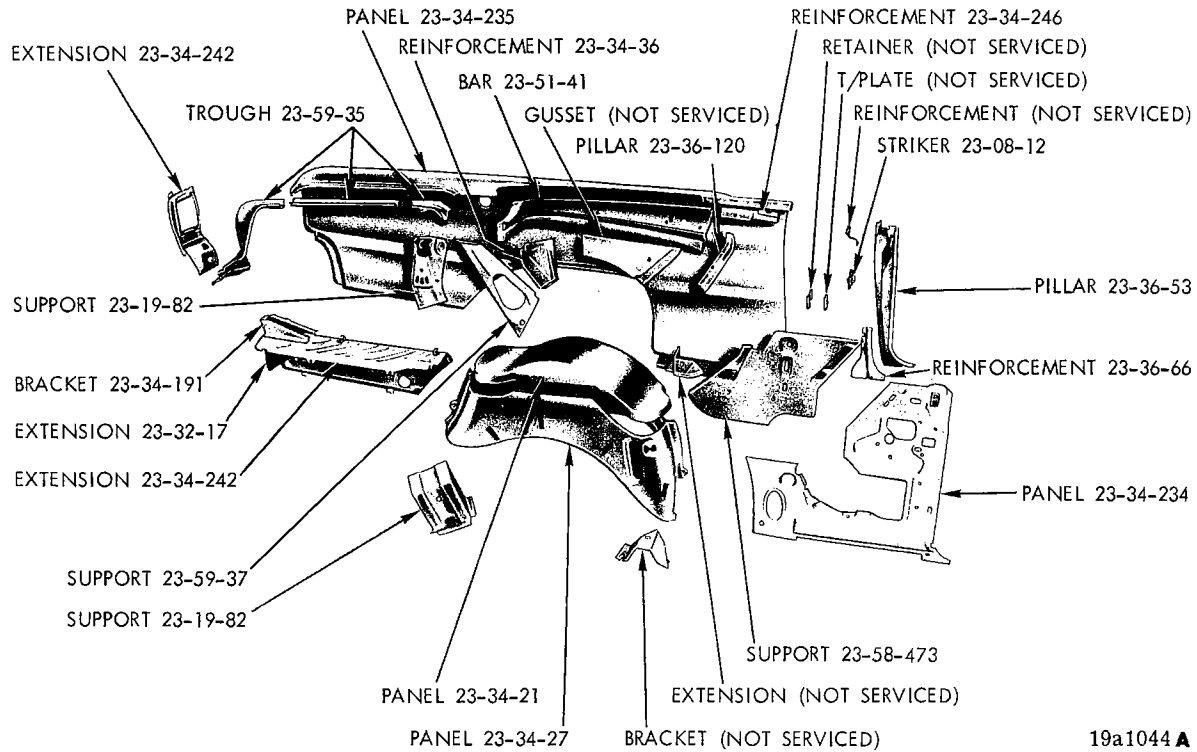
19a1042 A

REAR QUARTER PANEL - DART 4 DOOR SEDAN



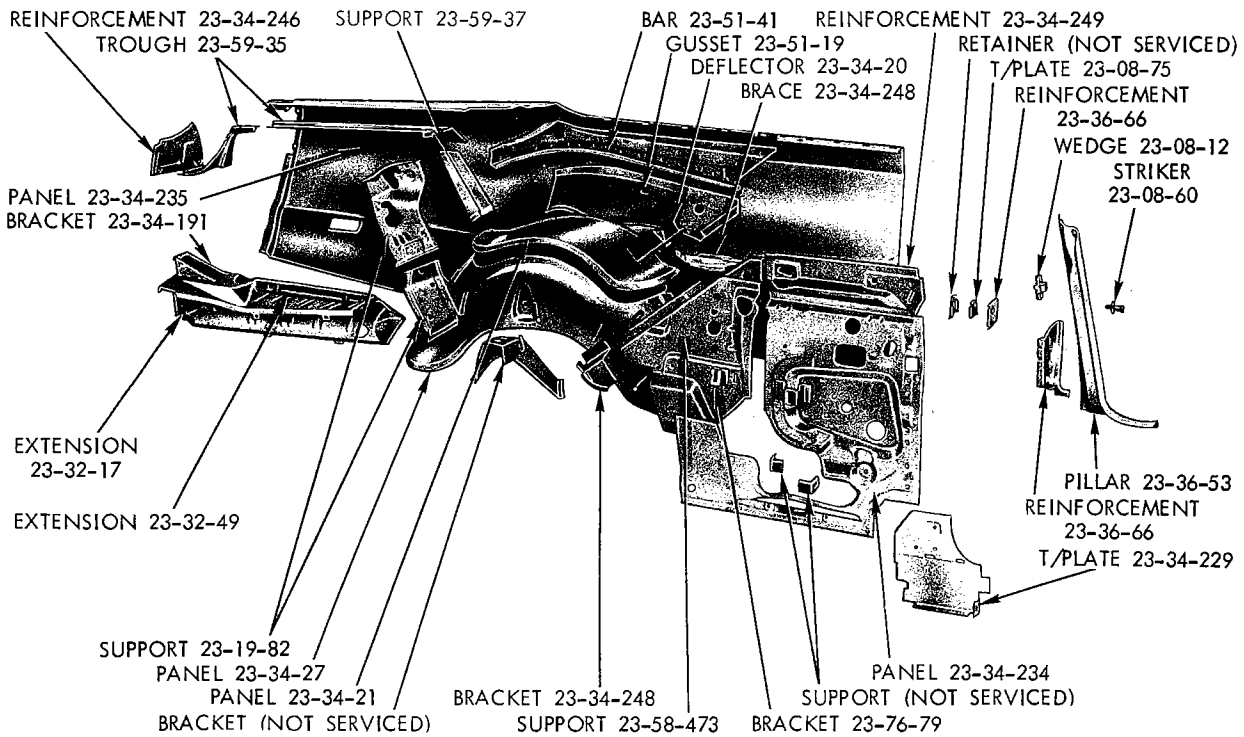
19a1043

REAR QUARTER PANEL - DART 2 DOOR HARDTOP



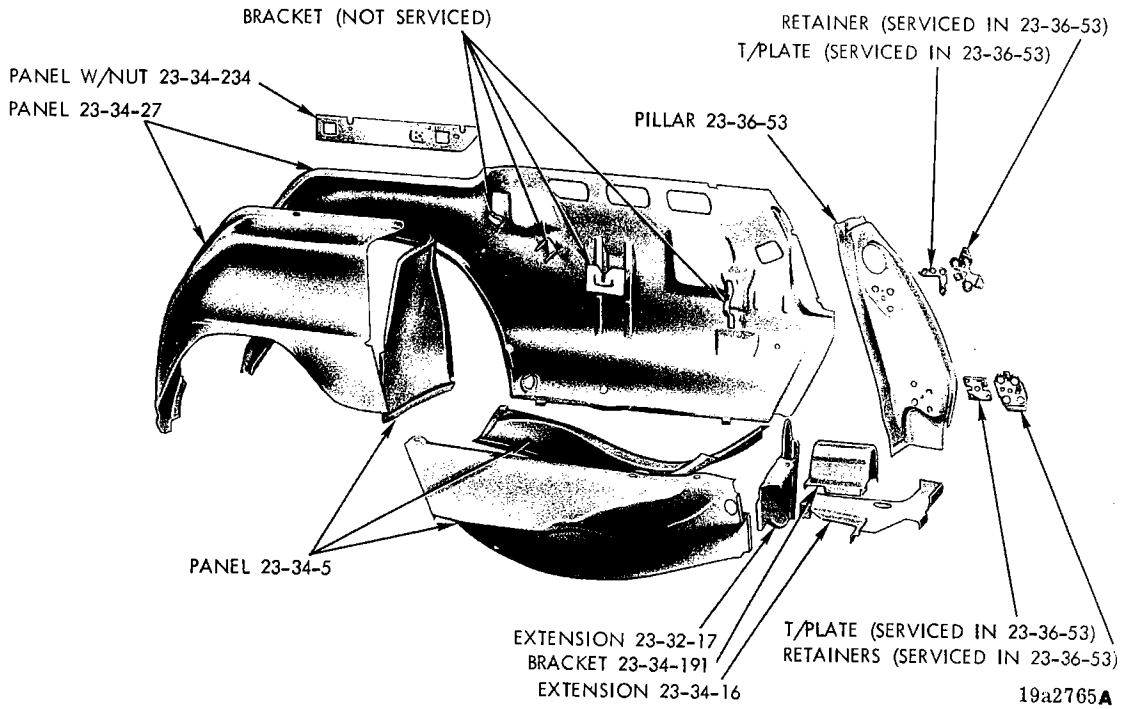
19a1044 A

REAR QUARTER PANEL - DART CONVERTIBLE COUPE
(TYPICAL OF BARRACUDA)

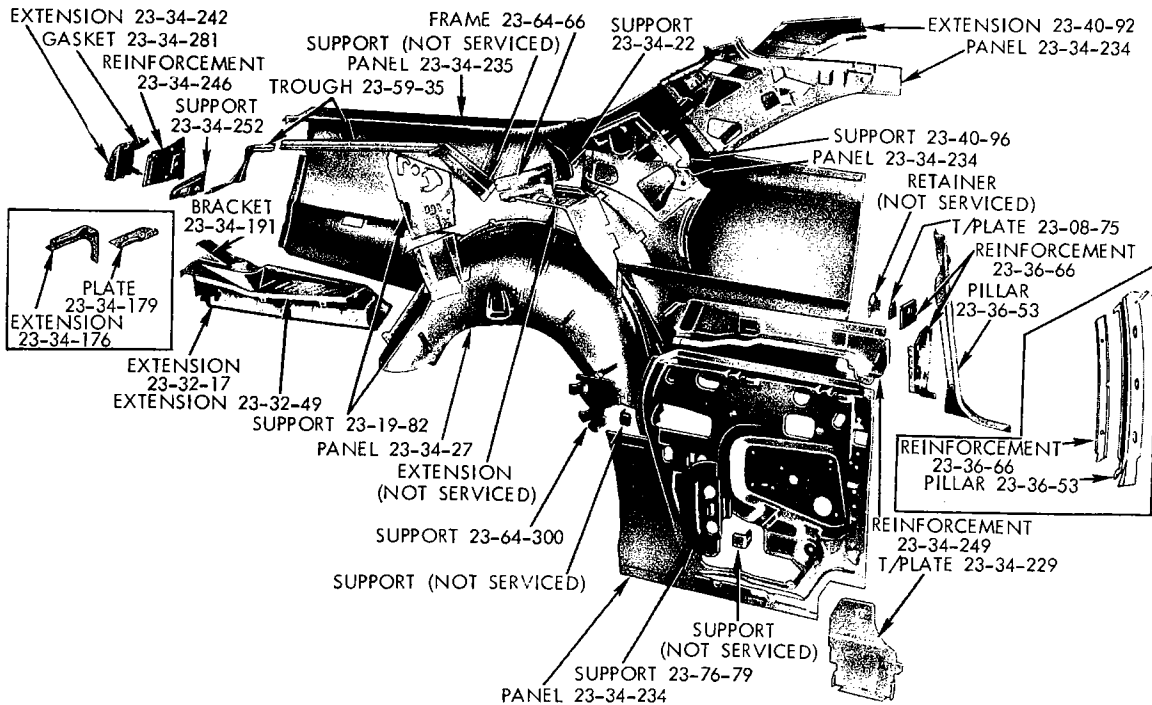


19a2763 B

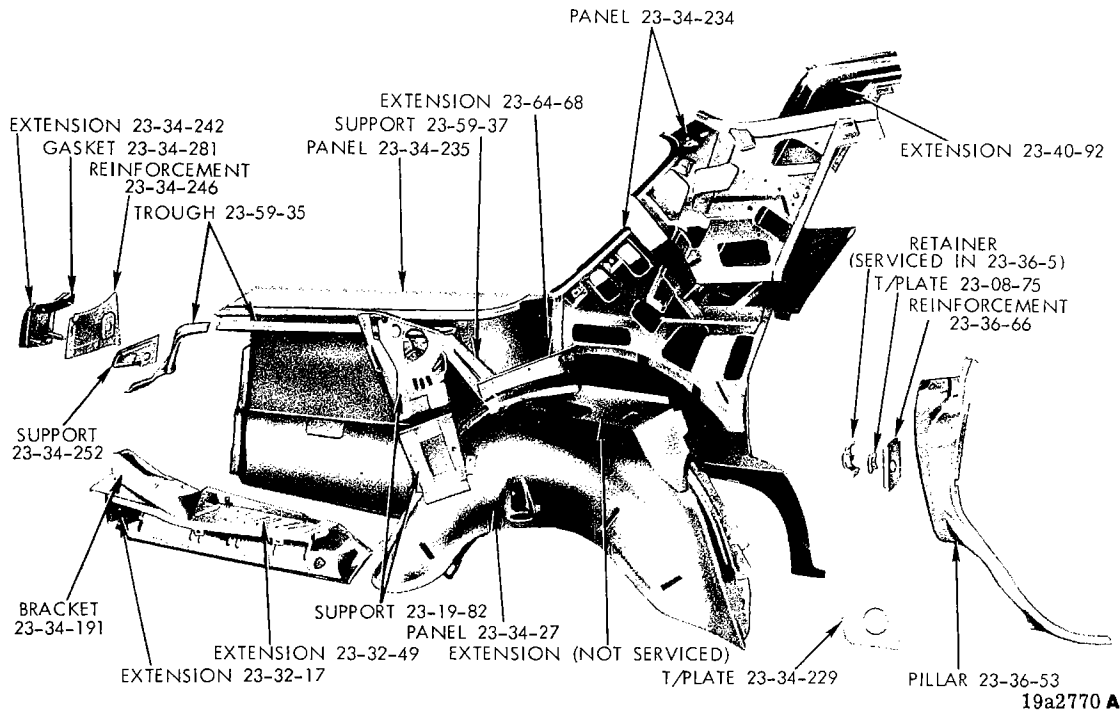
REAR QUARTER PANEL - CHRYSLER CONVERTIBLE COUPE
(TYPICAL OF PLYMOUTH AND DODGE)



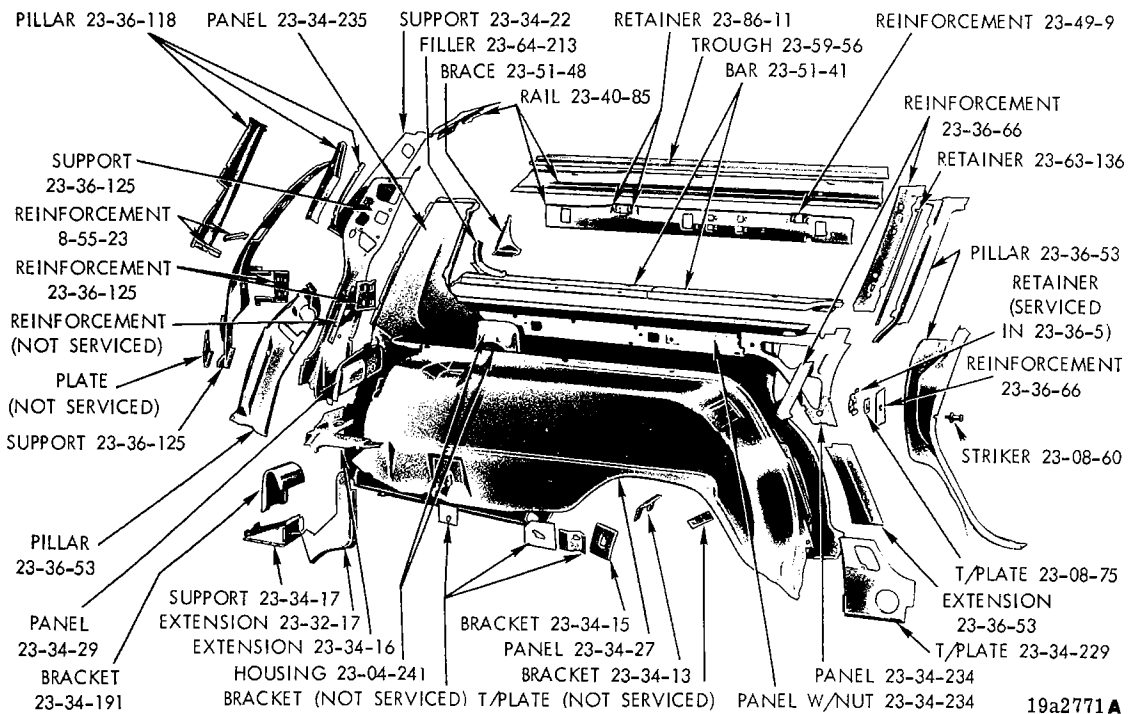
REAR QUARTER SPARE TIRE PANEL - PLYMOUTH, DODGE AND CHRYSLER STATION WAGONS



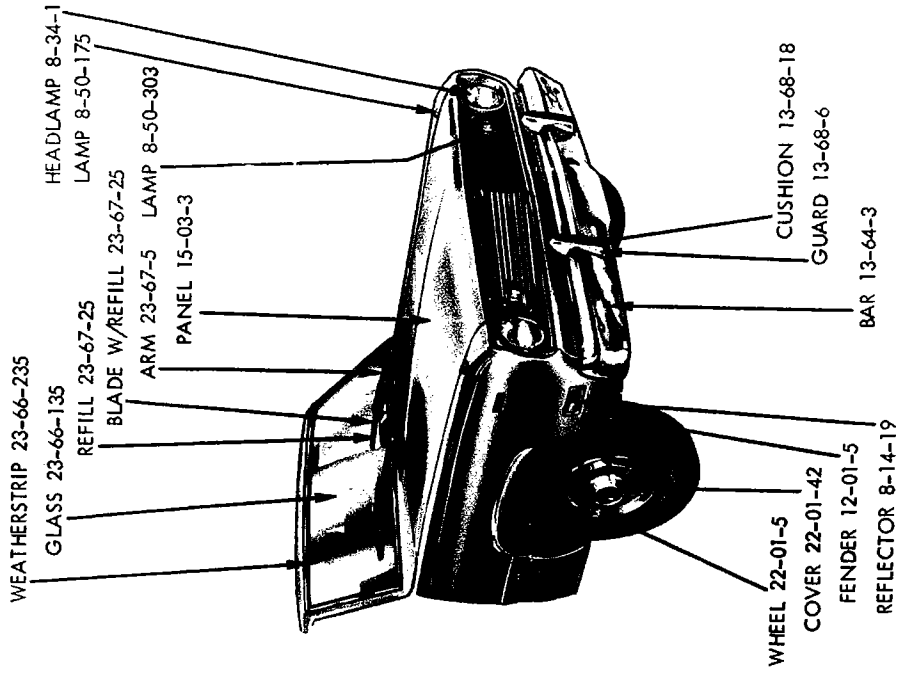
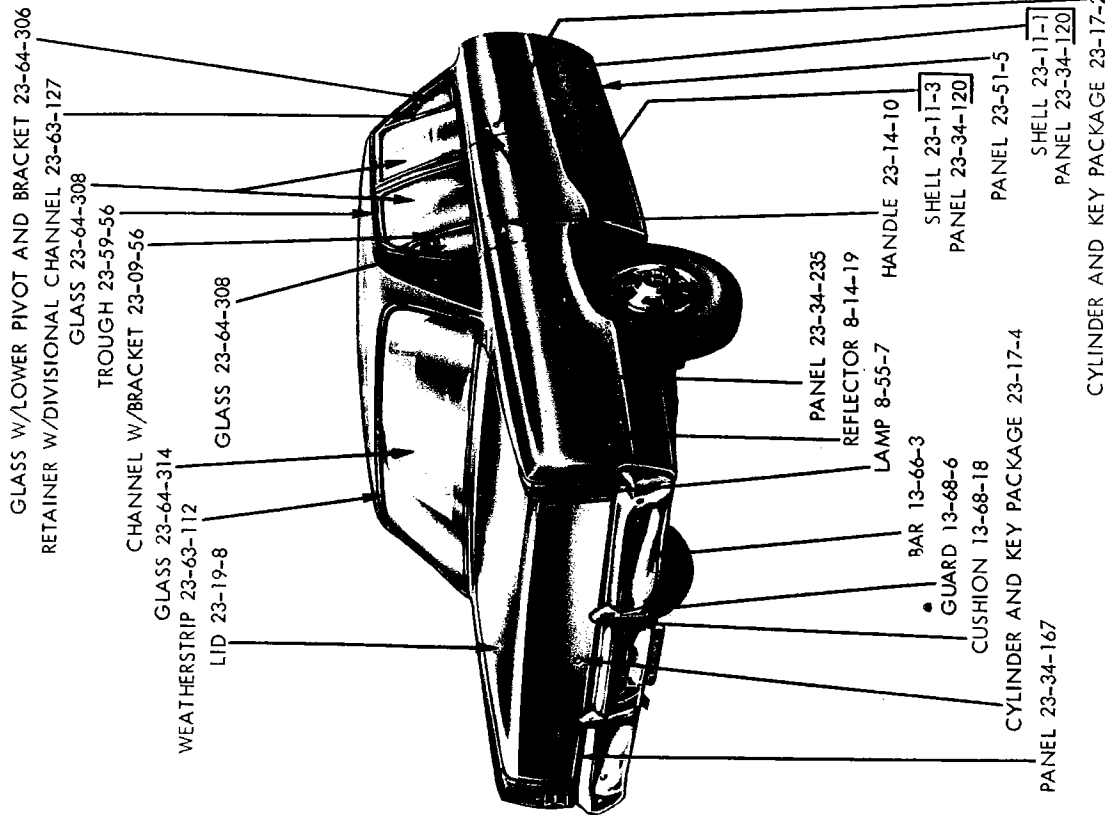
REAR QUARTER PANEL - IMPERIAL 2 DOOR HARDTOP (TYPICAL OF PLYMOUTH, DODGE AND CHRYSLER)



REAR QUARTER PANEL - IMPERIAL 4 DOOR SEDAN AND 4 DOOR HARDTOP
(TYPICAL OF PLYMOUTH, DODGE AND CHRYSLER)

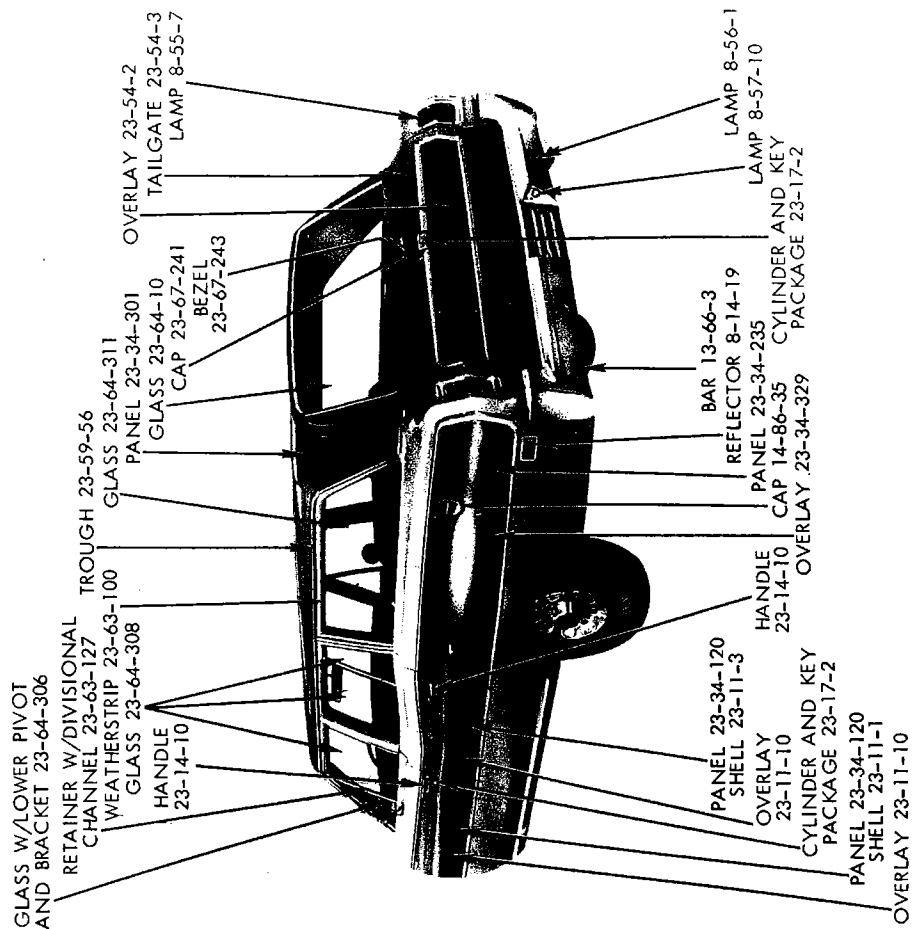


REAR QUARTER PANEL - PLYMOUTH, DODGE AND CHRYSLER STATION WAGON

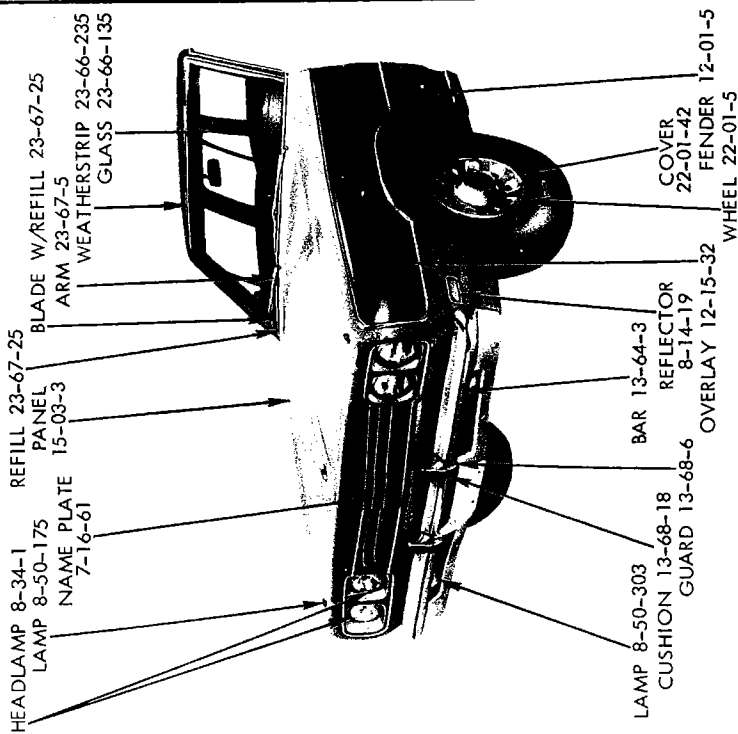


19a2591

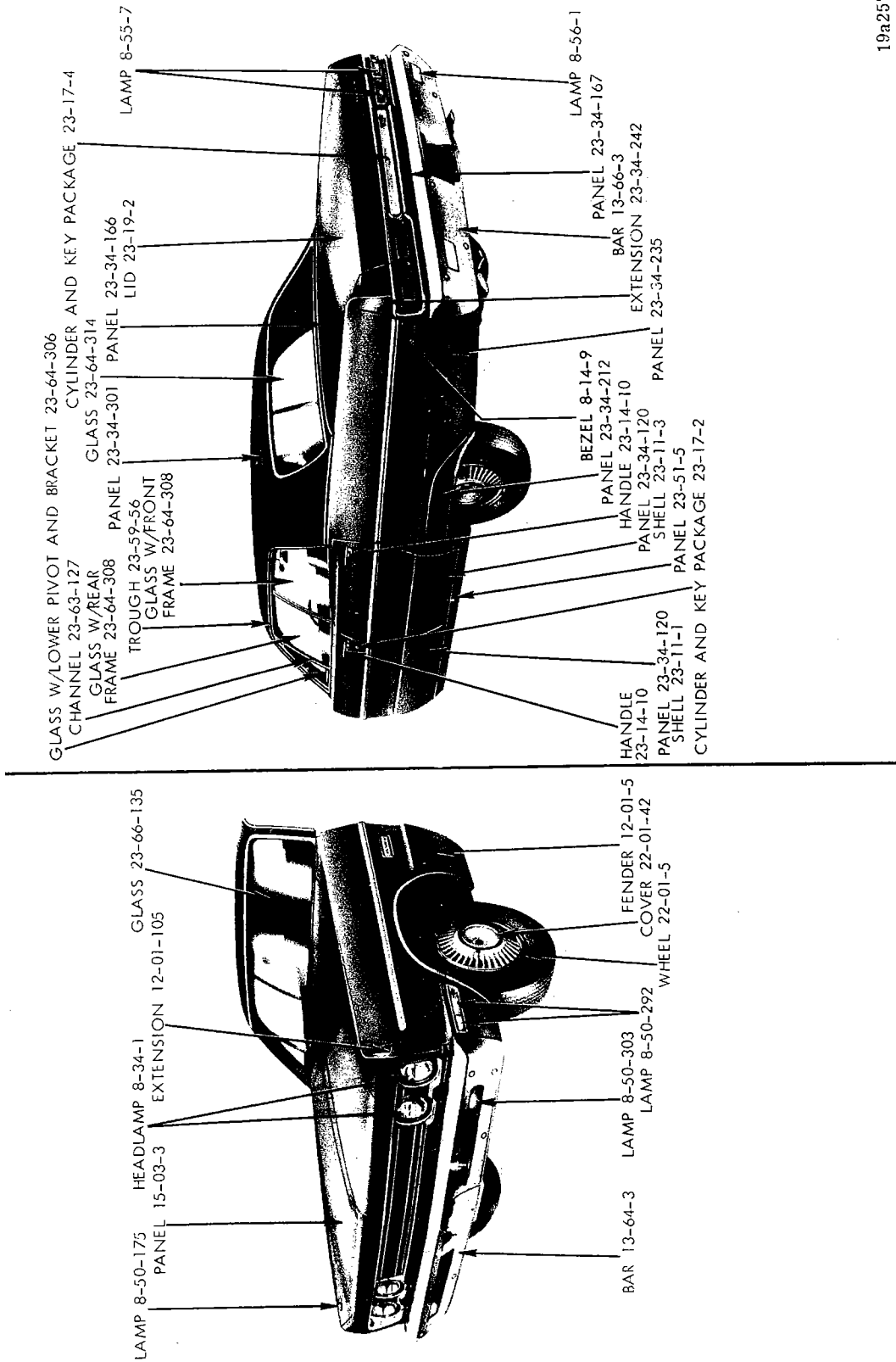
EXTERIOR VIEW - VALIANT 100 V-L 4 DOOR SEDAN



19a2569

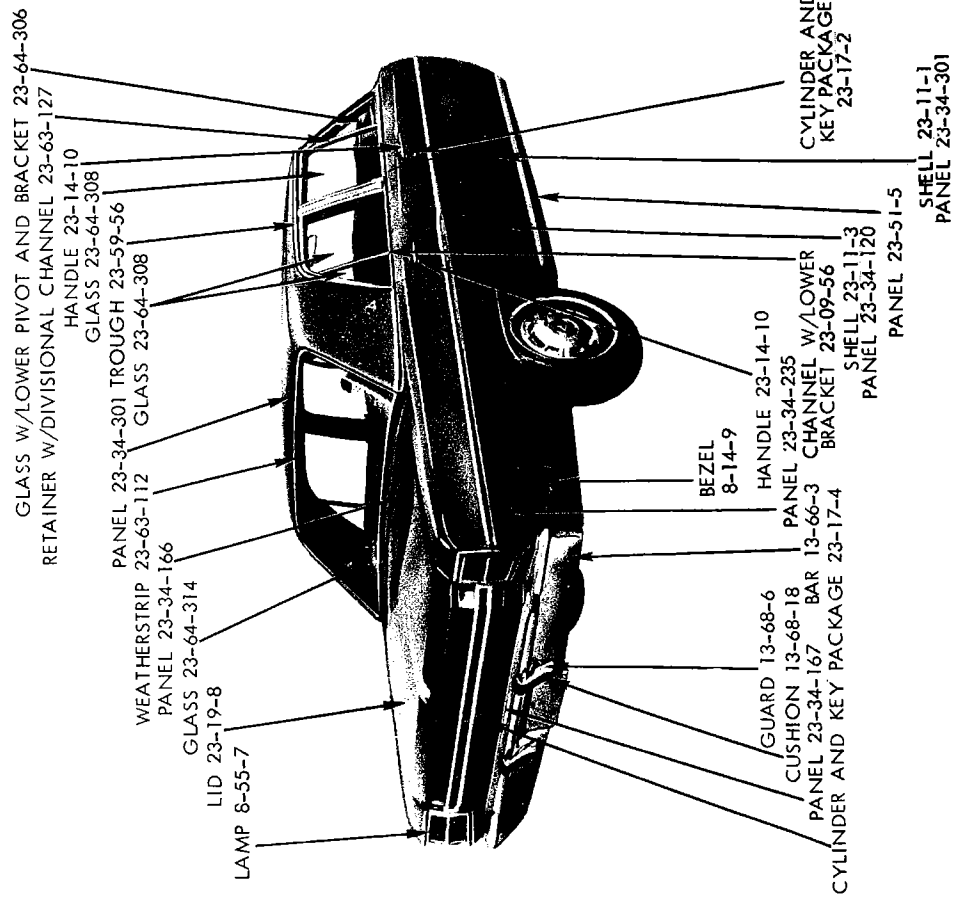
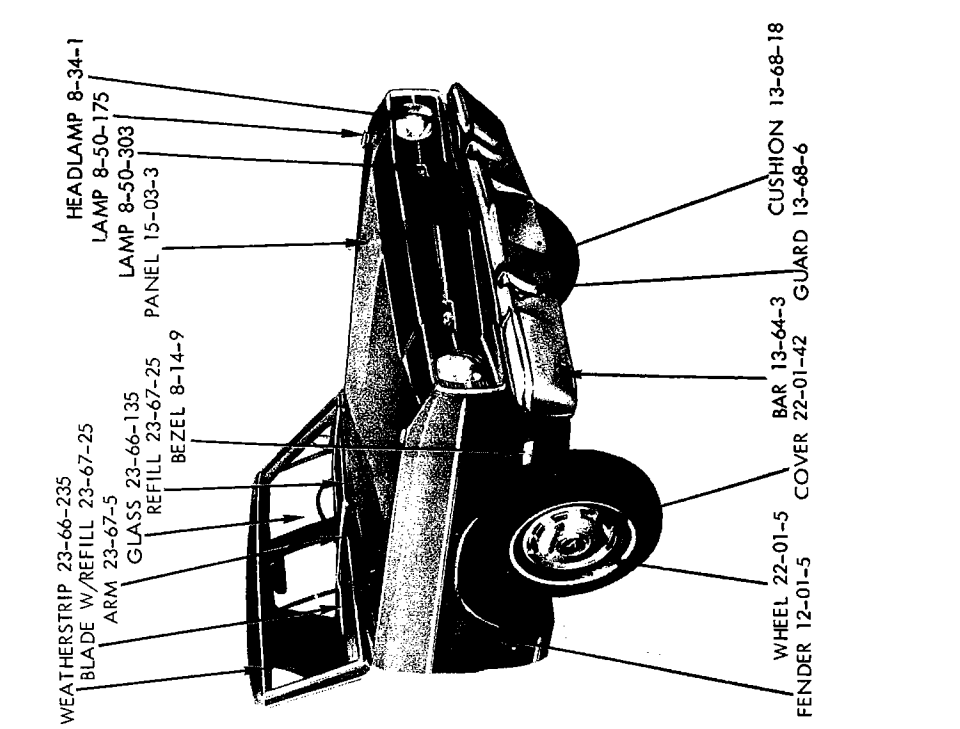


EXTERIOR VIEW - BELVEDERE SPORT SATELLITE R-P STATION WAGON



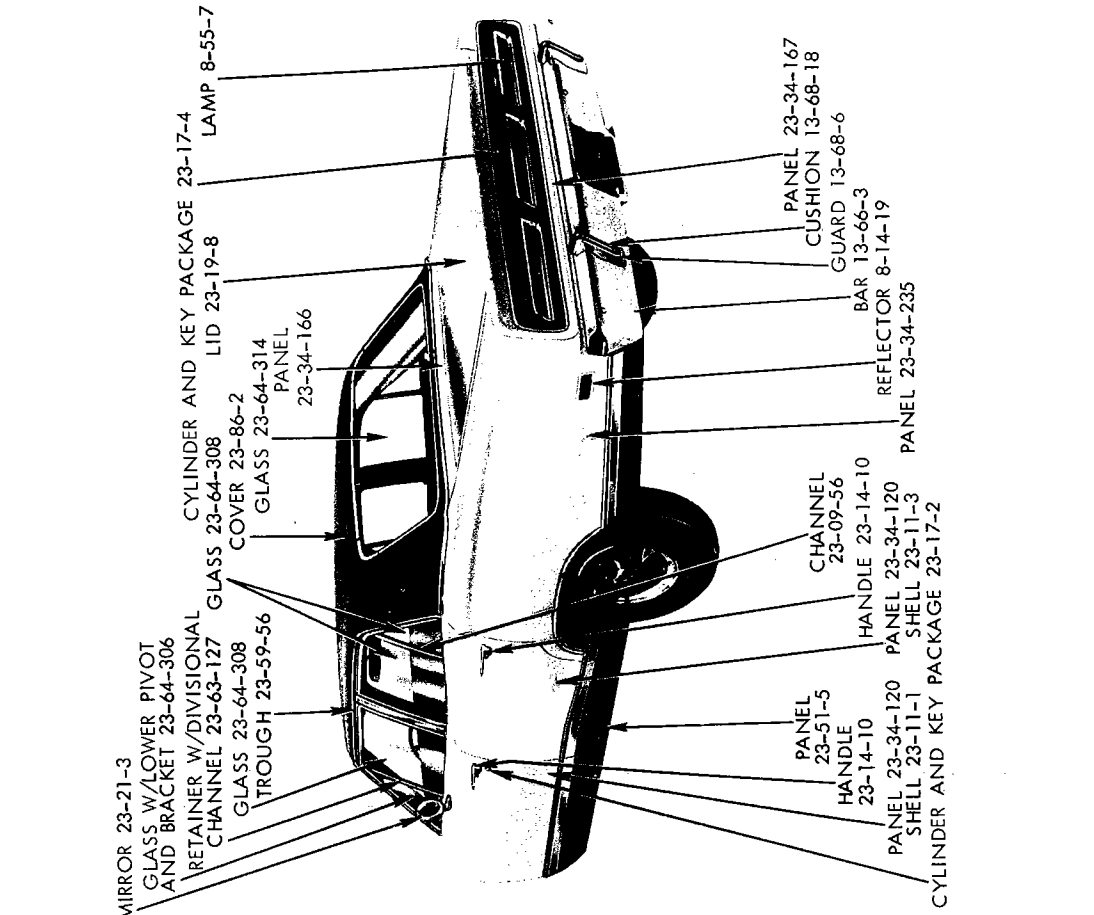
19a2577

EXTERIOR VIEW - PLYMOUTH FURY III P-M 4 DOOR HARDTOP

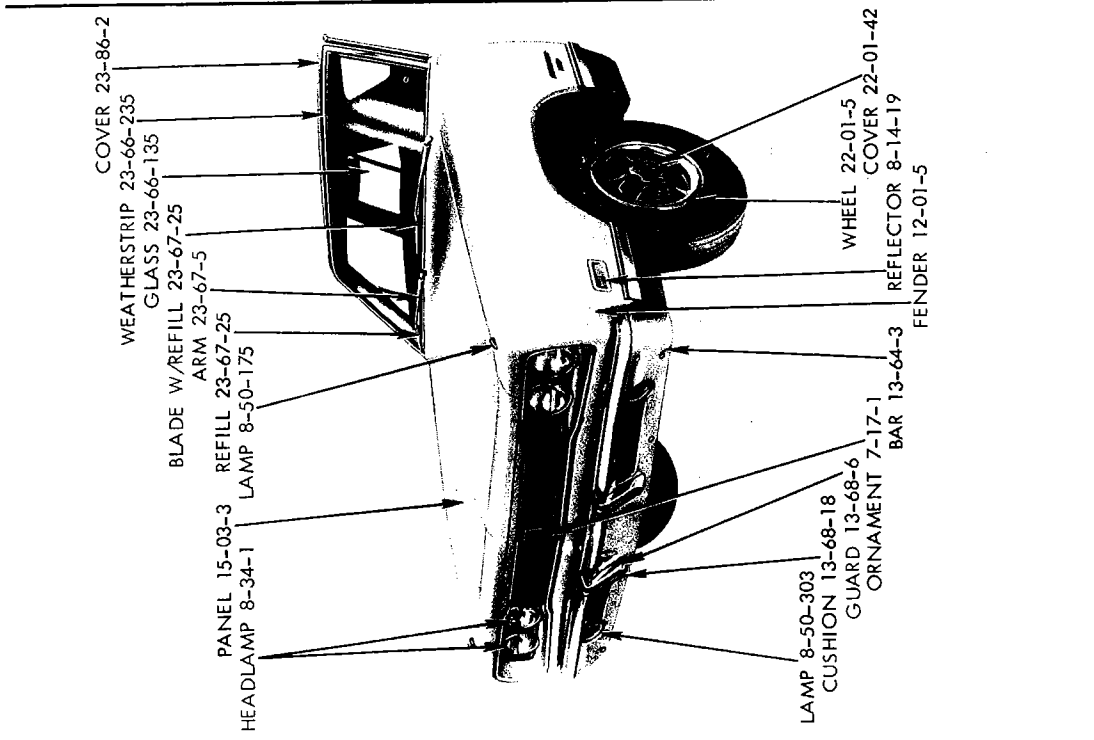


19a2576

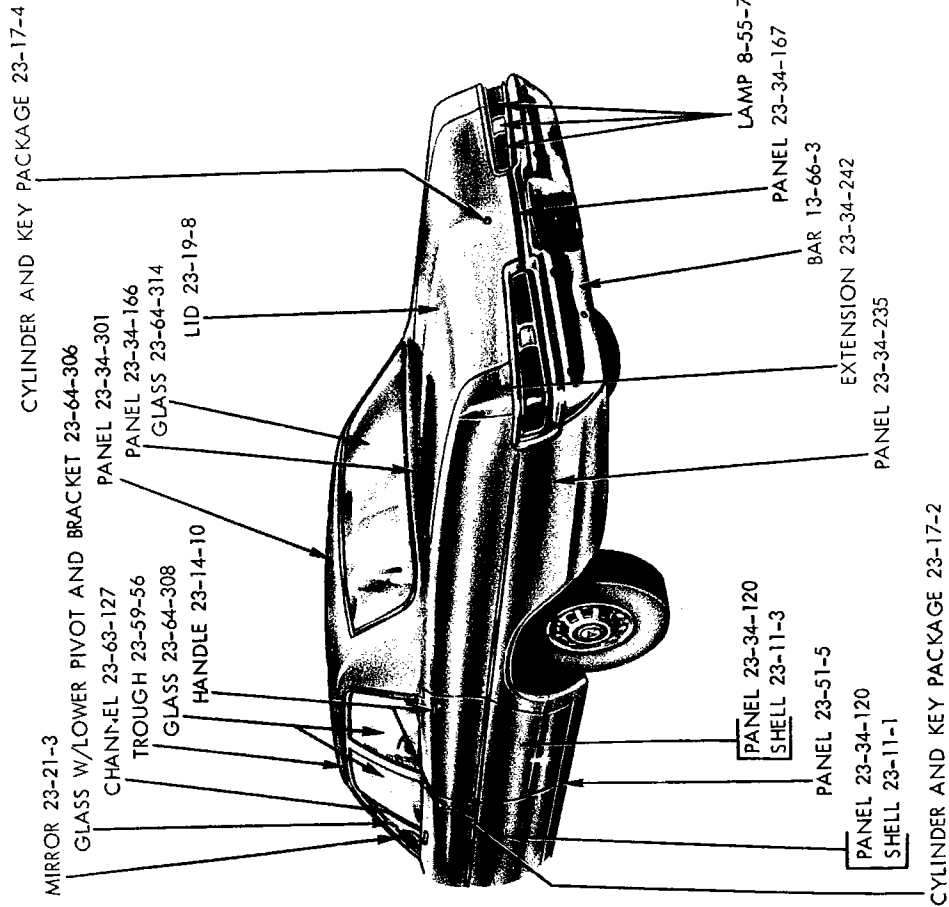
EXTERIOR VIEW - DART CUSTOM L-H 4 DOOR SEDAN



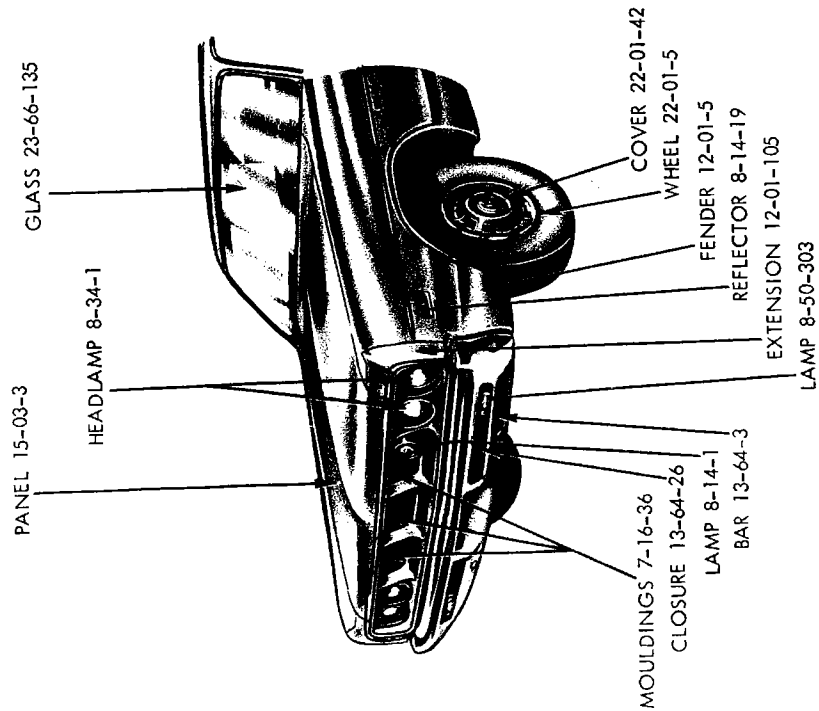
19a2592



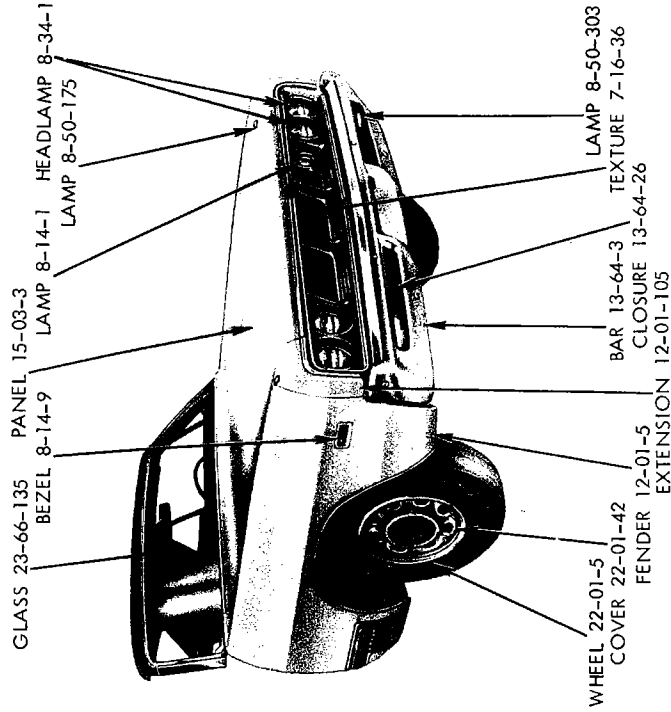
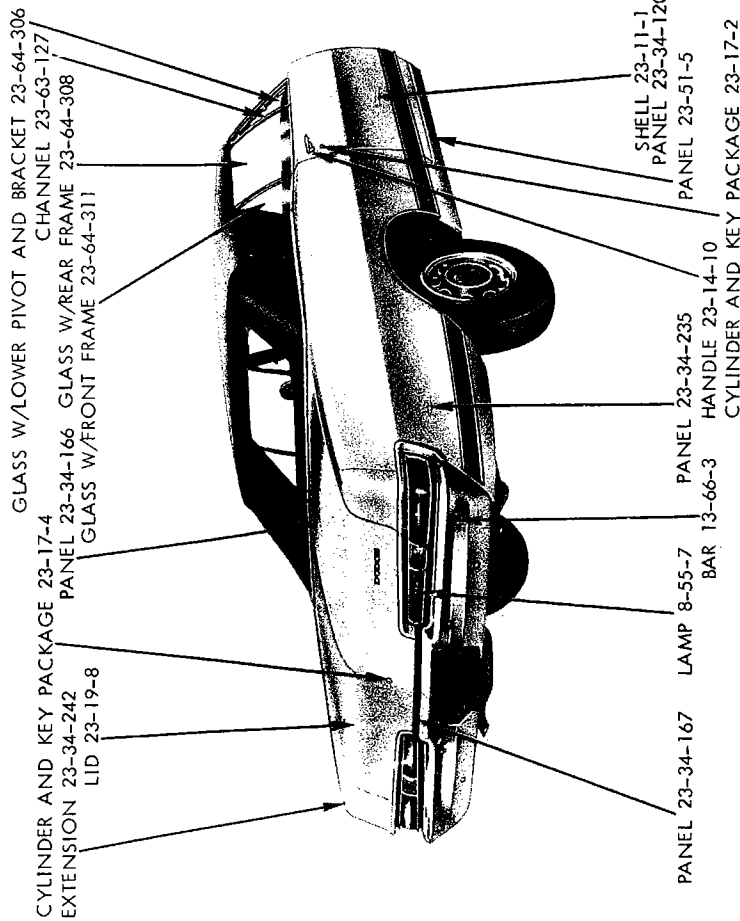
EXTERIOR VIEW - CORONET 500 W-P 4 DOOR SEDAN



19a2578

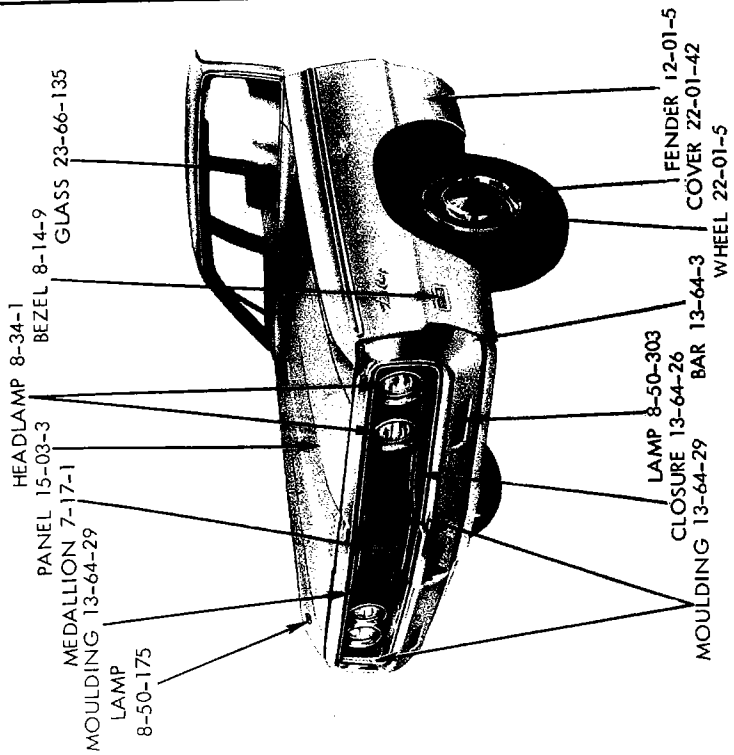
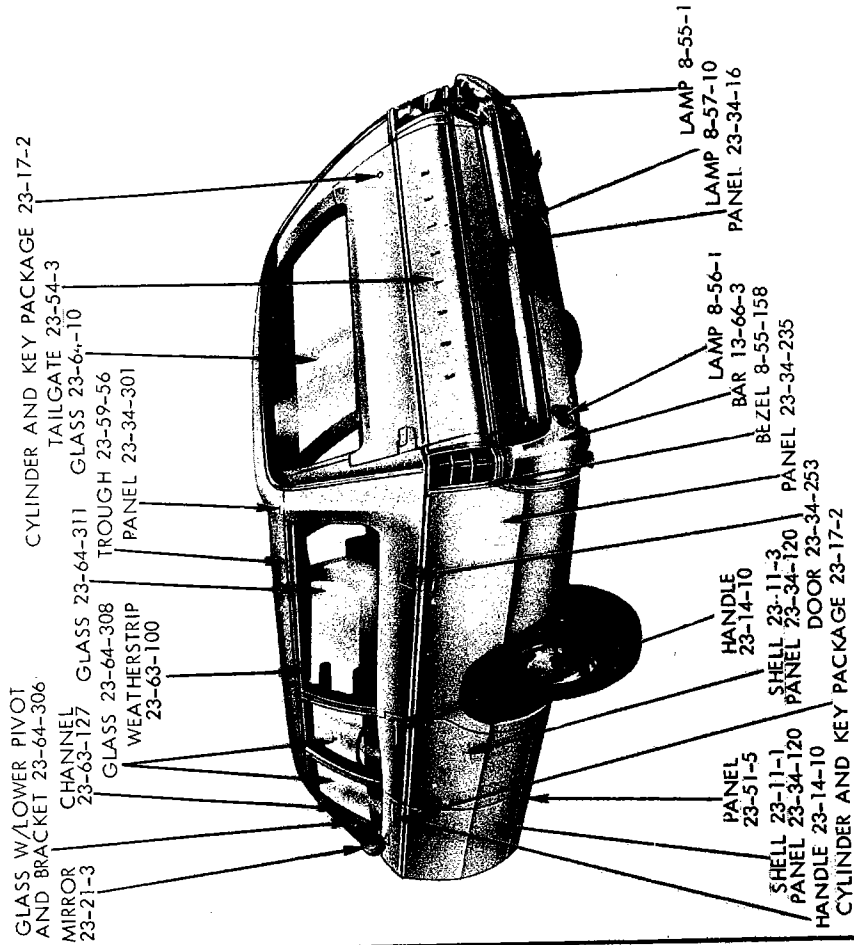


EXTERIOR VIEW - DODGE POLARA D-L 4 DOOR SEDAN



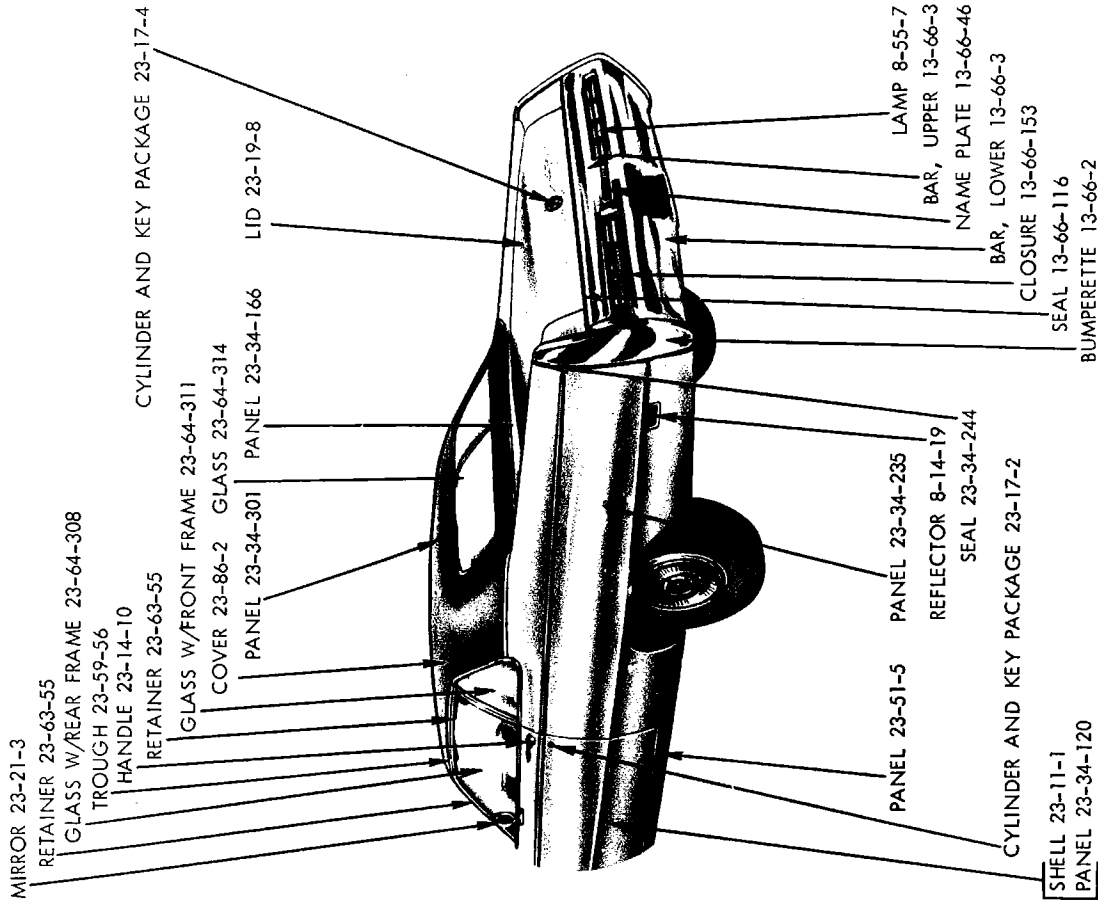
19a2574

EXTERIOR VIEW - DODGE POLARA 500 D-M CONVERTIBLE COUPE

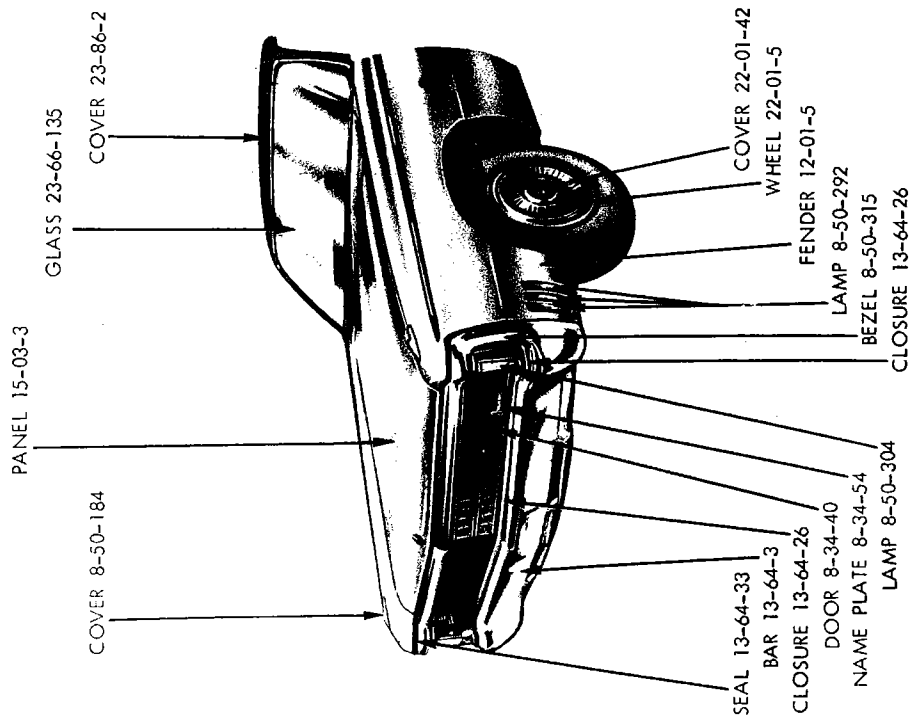


EXTERIOR VIEW - CHRYSLER TOWN AND COUNTRY STATION WAGON

19a2575

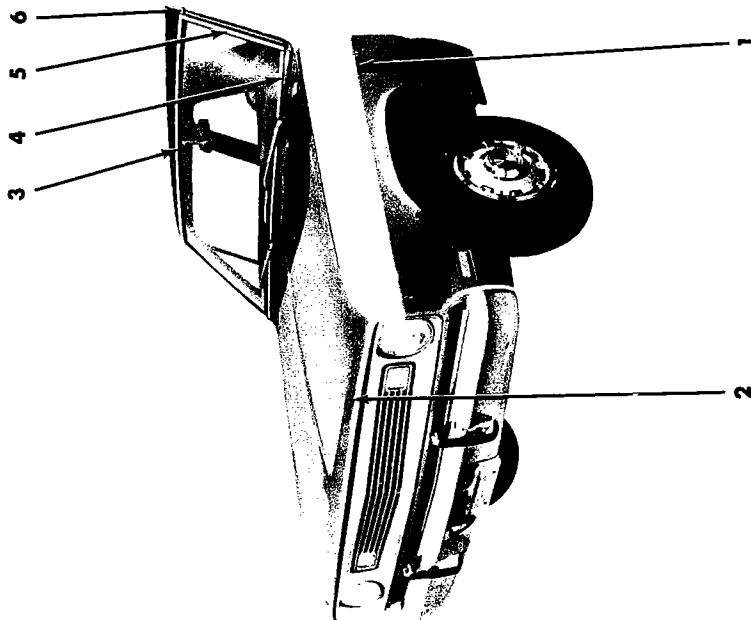
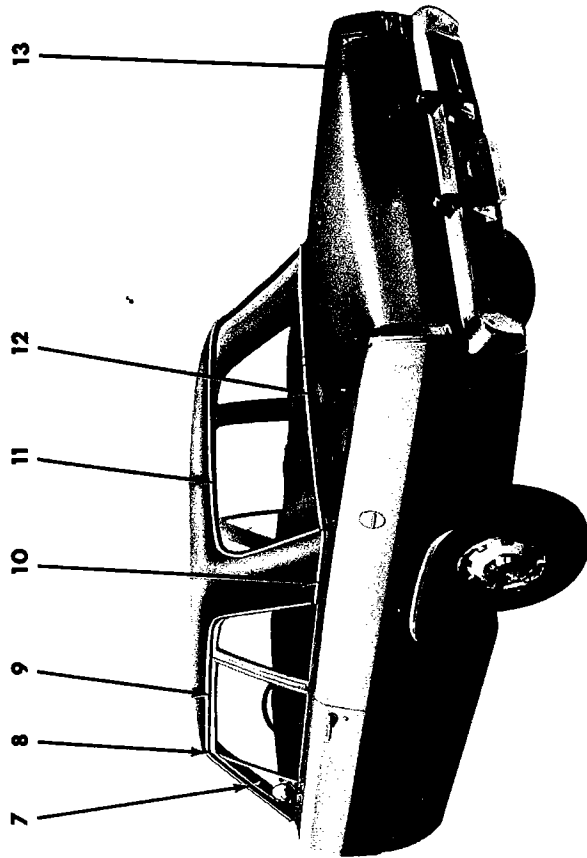


19a2593



EXTERIOR VIEW - IMPERIAL LE BARON Y-M 2 DOOR HARDTOP

19a2542



EXTERIOR VIEW - VALIANT 100 V-L 2 DOOR SEDAN

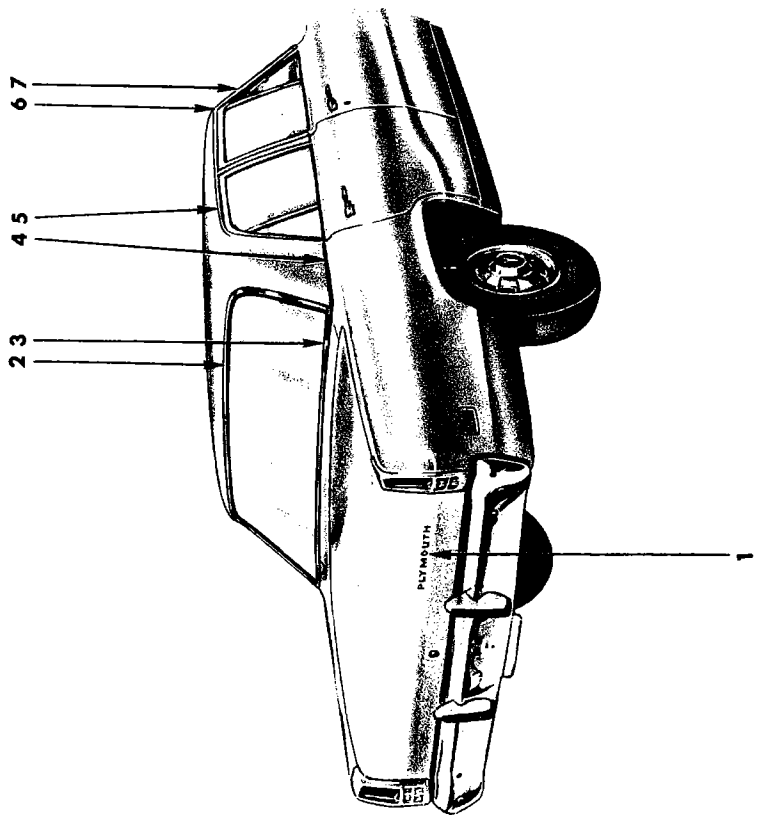
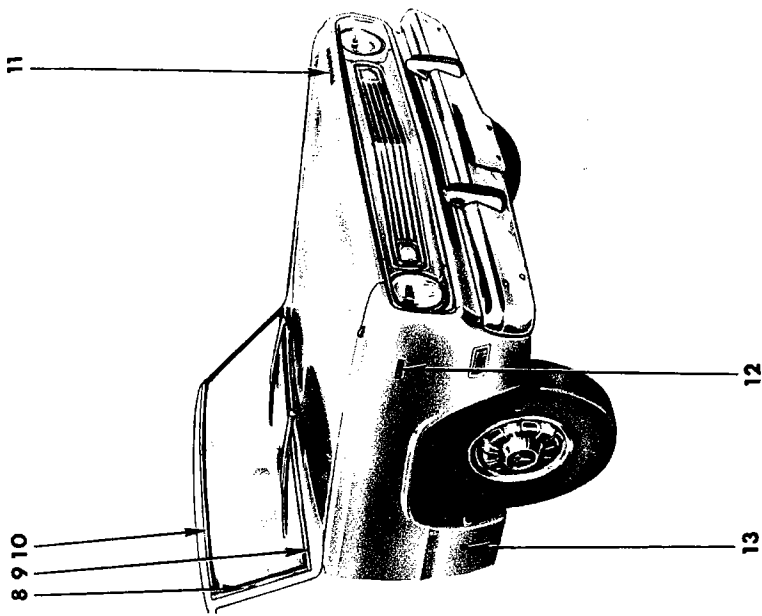
REF. NO.	QTY	PART NUMBER	DESCRIPTION	REF. NO.	QTY	PART NUMBER	DESCRIPTION
1	2	2786 924	NAME PLATE, Fender Side (12-15-21)	8	2	2783 028	COVER, Roof Side Drain Trough Mldg. Joint (23-59-57)
	4	6026 404	Nut	9	1	2783 026-7	MOULDING, Roof Side Drain Trough, w/o Vinyl Roof (23-59-61)
2	1	2785 791	NAME PLATE, Hood (15-06-3)				
	3	6027 552	Nut	AR	----	----	Spacer
3	1	2932 452-3	MOULDING PACKAGE, Wind- shield Outside, Upr. (23-23-65)	1	2840 980-1	MOULDING, Roof Side Drain Trough, w/Vinyl Roof (23-59-61)	
	8	6002 263	Retainer				
4	1	2932 445	MOULDING PACKAGE, Wind- shield Outside, Lwr. (23-23-65)	AR	----	----	Spacer
	5	6002 263	Retainer	10	1	2809 682-3	MOULDING PACKAGE, Qtr. Outside Belt (23-23-39)
	4	6002 615	Retainer		6	6002 354	Fastener
5	1	2932 448-9	MOULDING PACKAGE, Wind- shield Outside, Side (23-23-65)	11	1	2932 464-5	MOULDING PACKAGE, Rear Wdo. Outside, Upr. (23-23-52)
	6	6002 263	Retainer		12	6002 263	Retainer and Screw
6	1	2807 882-3	MOULDING PACKAGE, Body Frt. Pillar Trim, use w/Vinyl Roof and Two Tone Paint (23-23-14)	12	1	2932 466-7	MOULDING PACKAGE, Rear Wdo. Outside, Lwr. (23-23-52)
	2	6027 205	Screw		8	6002 263	Retainer and Screw
7	1	2783 024-5	MOULDING, Body Frt. Pillar Drain Trough (23-59-61)	13	1	2785 791	NAME PLATE, Deck Lid, "Plymouth" (23-19-114)
	AR	----	Spacer		3	6000 960	Clip

All Packages Include Attaching Parts

Part Type Code is Indicated in Parentheses

EXTERIOR VIEW - VALIANT 100 V-L 2 DOOR SEDAN

19a-2582



EXTERIOR VIEW - VALIANT 100 V-L 4 DOOR SEDAN

REF. NO.	QTY	PART NUMBER	DESCRIPTION
1	1	2785 791	NAME PLATE, Deck Lid, "Plymouth" (23-19-114)
	3	6000 960	Clip
2	1	2932 464-5	MOULDING PACKAGE, Rear Wdo. Outside, Upr. (23-23-52)
	12	6002 263	Retainer and Screw
3	1	2932 466-7	MOULDING PACKAGE, Rear Wdo. Outside, Lwr. (23-23-52)
	8	6002 263	Retainer and Screw
4	1	2809 682-3	MOULDING PACKAGE, Qtr. Outside Belt, use w/Vinyl Roof and Two Tone Paint (23-23-39)
	6	6002 354	Fastener
5	1	2783 026-7	MOULDING, Roof Side Drain Trough, w/o Vinyl Roof (23-59-61)
	AR	-----	Spacer
	1	2840 980-1	MOULDING, Roof Side Drain Trough, w/Vinyl Roof (23-59-61)
	AR	-----	Spacer
6	2	2783 028	COVER, Roof Side Drain Trough Mldg. Joint (23-59-57)

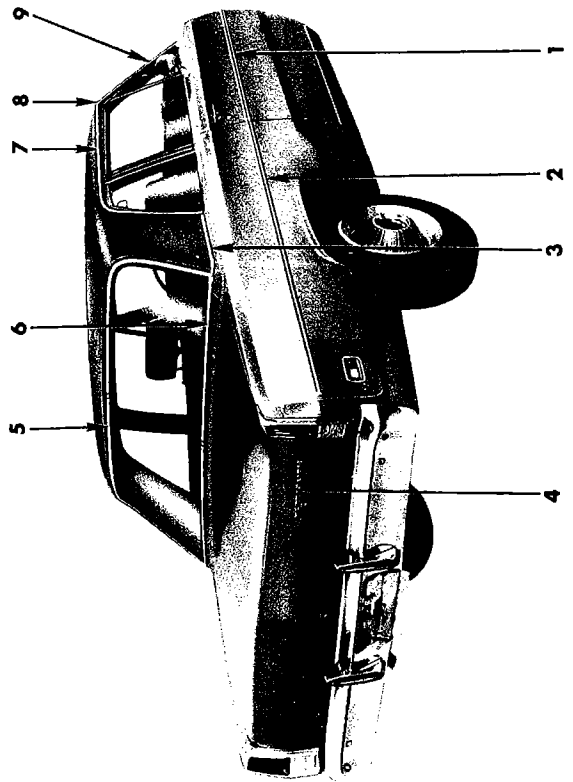
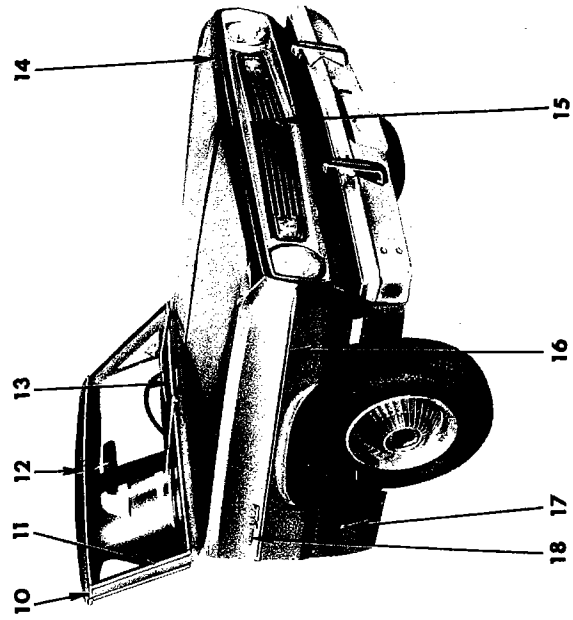
REF. NO.	QTY	PART NUMBER	DESCRIPTION
7	1	2783 024-5	MOULDING, Body Frt. Pillar Drain Trough (23-59-61)
	AR	-----	Spacer
8	1	2932 448-9	MOULDING PACKAGE, Windshield Outside, Side (23-23-65)
	6	6002 263	Retainer
9	1	2932 445	MOULDING PACKAGE, Windshield Outside, Lwr. (23-23-65)
	5	6002 263	Retainer
	4	6002 615	Retainer
10	1	2932 452-3	MOULDING PACKAGE, Windshield Outside, Upr. (23-23-65)
	8	6002 263	Retainer
11	1	2785 791	NAME PLATE, Hood Front (15-06-3)
	3	6027 552	Nut
12	2	2579 612	ORNAMENT, Fender Side (V-Eight) (12-15-21)
	4	6026 404	Nut
13	1	2785 540	MEDALLION, Fender Side (Pentastar) (12-15-21)
	1	6026 404	Nut

All Packages Include Attaching Parts

Part Type Code is Indicated in Parentheses

EXTERIOR VIEW - VALIANT 100 V-L 4 DOOR SEDAN

19a2558



EXTERIOR VIEW - VALIANT V-L (200 DECORATIVE PACKAGE) 2 DOOR SEDAN

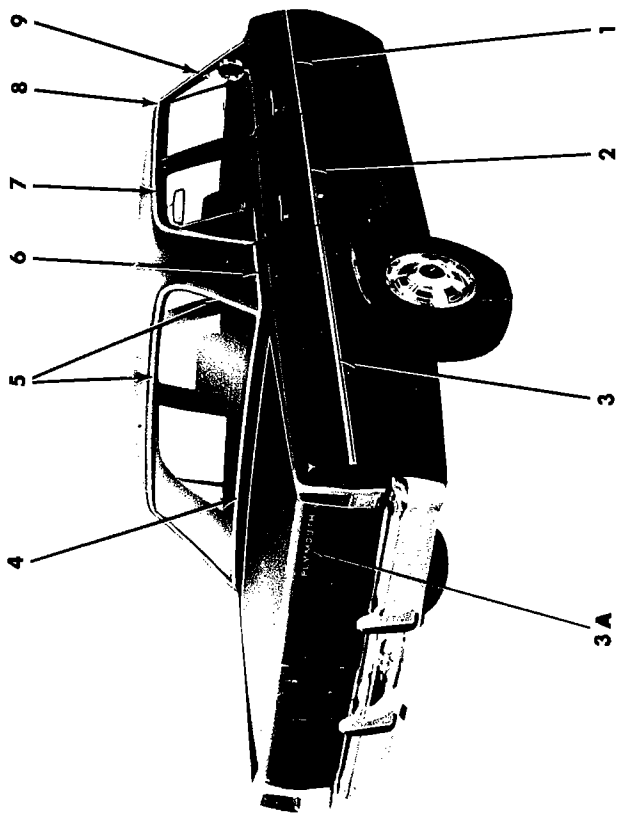
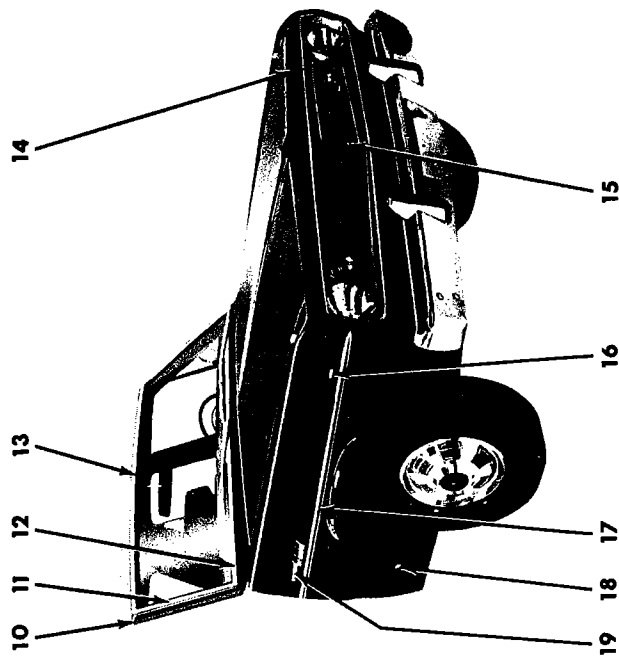
REF. NO.	QTY	PART NUMBER	DESCRIPTION
1	1	2933 224-5	MOULDING PACKAGE, Door Outside (23-23-32)
	2	6001 677	Retainer
	16	6001 880	Retainer
	2	6026 523	Nut
2	1	2933 230-1	MOULDING PACKAGE, Qtr. Outside (23-23-39)
	22	6001 880	Retainer
	2	6002 338	Retainer
	2	6024 679	Nut
3	1	2809 682-3	MOULDING PACKAGE, Qtr. Outside Belt, use w/Vinyl Roof and Two Tone Paint (23-23-39)
	6	6002 354	Fastener
4	1	2785 791	NAME PLATE, Deck Lid, "Plymouth" (23-19-114)
	3	6000 960	Clip
5	1	2932 464-5	MOULDING PACKAGE, Rear Wdo. Outside, Upr. (23-23-52)
	12	6002 263	Retainer and Screw
6	1	2932 466-7	MOULDING PACKAGE, Rear Wdo. Outside, Lwr. (23-23-52)
	8	6002 263	Retainer and Screw
7	1	2783 026-7	MOULDING, Roof Side Drain Trough, w/o Vinyl Roof (23-59-61)
AR	----	----	Spacer
	1	2840 980-1	MOULDING, Roof Side Drain Trough, w/Vinyl Roof (23-59-61)
AR	----	----	Spacer
8	2	2783 028	COVER, Roof Side Drain Trough Mldg. Joint (23-59-57)
9	1	2783 024-5	MOULDING, Body Frt. Pillar Drain Trough (23-59-61)
AR	----	----	Spacer

REF. NO.	QTY	PART NUMBER	DESCRIPTION
10	1	2807 882-3	MOULDING PACKAGE, Body Frt. Pillar Trim, use w/Vinyl Roof and Two Tone Paint (23-23-14)
	2	6027 205	Screw
11	1	2932 448-9	MOULDING PACKAGE, Windshield Outside, Side (23-23-65)
	6	6002 263	Retainer
12	1	2932 452-3	MOULDING PACKAGE, Windshield Outside, Upr. (23-23-65)
	8	6002 263	Retainer
13	1	2932 445	MOULDING PACKAGE, Windshield Outside, Lwr. (23-23-65)
	5	6002 263	Retainer
	4	6002 615	Retainer
14	1	2785 791	NAME PLATE, Hood (15-06-3)
	3	6027 552	Nut
15	1	2898 239	ORNAMENT, Radiator Grille (7-17-1)
	1	2898 887	Spacer, Ornament Mtg. (7-17-21)
	2	9419 751	Nut
16	1	2933 234-5	MOULDING PACKAGE, Fender Side (12-15-2)
	1	6026 523	Nut
	1	6002 338	Retainer
	6	6001 880	Retainer
	1	6002 065	Retainer
17	1	2785 540	MEDALLION, Fender Side (Pentastar) (12-15-21)
	1	6026 404	Nut
18	2	2786 925	NAME PLATE, Fender Side (Valiant-200) (12-15-21)
	6	6026 095	Nut

All Packages Include Attaching Parts

Part Type Code is Indicated in Parentheses

19a2402



EXTERIOR VIEW - VALIANT V-L (200 DECORATIVE PACKAGE) 4 DOOR SEDAN

REF. NO.	QTY	PART NUMBER	DESCRIPTION
1	1	2933 226-7	MOULDING PACKAGE, Frt. Door Outside, Special Equip. (23-23-32)
	2	6001 677	Retainer
	14	6001 880	Retainer
	2	6026 523	Nut
2	1	2933 228-9	MOULDING PACKAGE, Rear Door Outside, Special Equip. (23-23-33)
	8	6001 677	Retainer
	16	6001 880	Retainer
	8	6026 523	Nut
3	1	2933 232-3	MOULDING PACKAGE, Qtr. Outside, Special Equip. (23-23-39)
	16	6001 880	Retainer
	2	6002 338	Retainer
	2	6024 679	Nut
3A	1	2785 791	NAME PLATE, Deck Lid, "Plymouth" (23-19-114)
	3	6000 960	Clip
4	1	2932 466-7	MOULDING PACKAGE, Rear Wdo. Outside, Lwr. (23-23-52)
	8	6002 263	Retainer and Screw
5	1	2932 464-5	MOULDING PACKAGE, Rear Wdo. Outside, Upr. and Side (23-23-52)
	12	6002 263	Retainer and Screw
6	1	2809 682-3	MOULDING PACKAGE, Qtr. Outside Belt, use w/Two Tone Paint and Vinyl Roof (23-23-39)
	6	6002 354	Fastener
7	1	2783 026-7	MOULDING, Roof Side Drain Trough, w/o Vinyl Roof (23-59-61)
	AR	----	Spacer
	1	2840 980-1	MOULDING, Roof Side Drain Trough, w/Vinyl Roof (23-59-61)
8	2	2783 028	COVER, Roof Side Drain Trough Mldg. Joint (23-59-57)
9	1	2783 024-5	MOULDING, Body Frt. Pillar Drain Trough (23-59-61)
	AR	----	Spacer

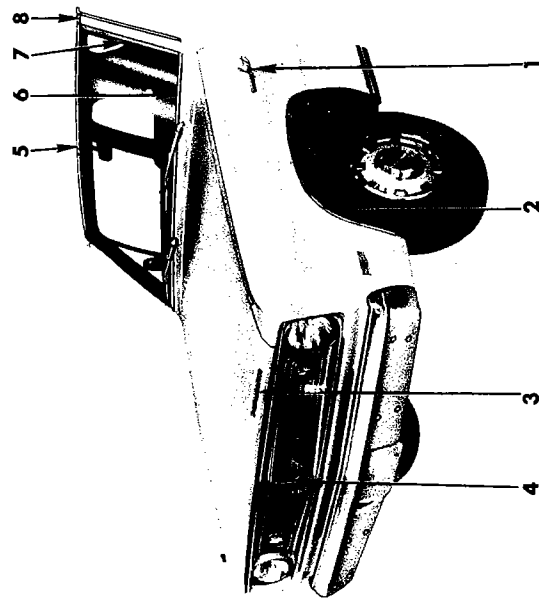
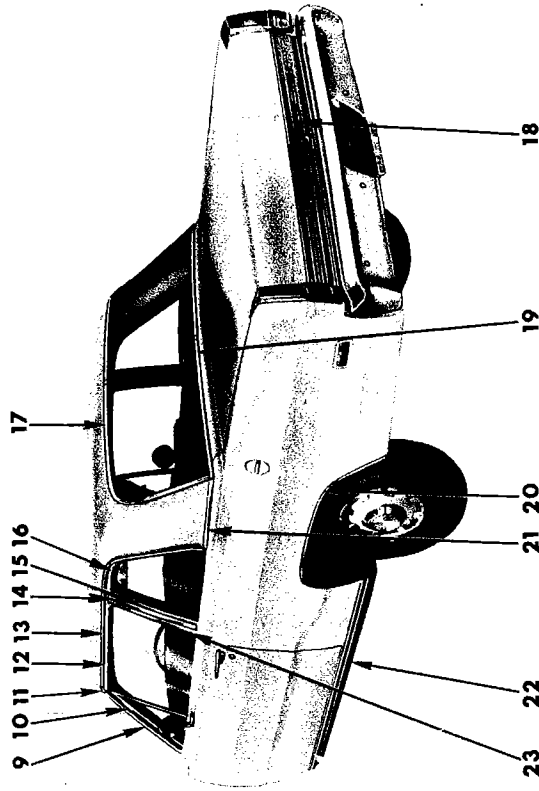
REF. NO.	QTY	PART NUMBER	DESCRIPTION
10	1	2807 882-3	MOULDING PACKAGE, Body Frt. Pillar Trim, use w/Two Tone Paint and Vinyl Roof (23-23-14)
	2	6027 205	Screw
11	1	2932 448-9	MOULDING PACKAGE, Windshield Outside, Side (23-23-65)
	6	6002 263	Retainer
12	1	2932 445	MOULDING PACKAGE, Windshield Outside, Lwr. (23-23-65)
	5	6002 263	Retainer
	4	6002 615	Retainer
13	1	2932 452-3	MOULDING PACKAGE, Windshield Outside, Upr. (23-23-65)
	8	6002 263	Retainer
14	1	2785 791	NAME PLATE, Hood Front (12-15-21)
	4	6026 404	Nut
15	1	2898 239	ORNAMENT (7-17-1)
	1	2898 887	SPACER, Radiator Grille Ornament Mtg. (7-17-21)
	2	9419 751	Nut
16	2	2579 612	ORNAMENT, Fender Side (12-15-21)
	4	6026 404	Nut
17	1	2933 234-5	MOULDING PACKAGE, Fender Side (12-15-2)
	4	441 239	Nut
	4	6006 496	Retainer
	5	6001 880	Retainer
	2	6002 065	Retainer
18	1	2785 540	MEDALLION, Fender Side (12-15-21)
	1	6026 404	Nut
19	2	2786 925	NAME PLATE, Fender Side (12-15-21)
	6	6026 095	Nut

All Packages Include Attaching Parts

Part Type Code is Indicated in Parentheses

EXTERIOR VIEW - VALIANT V-L (200 DECORATIVE PACKAGE) 4 DOOR SEDAN

19a2567



EXTERIOR VIEW - VALIANT SIGNET V-H 2 DOOR SEDAN

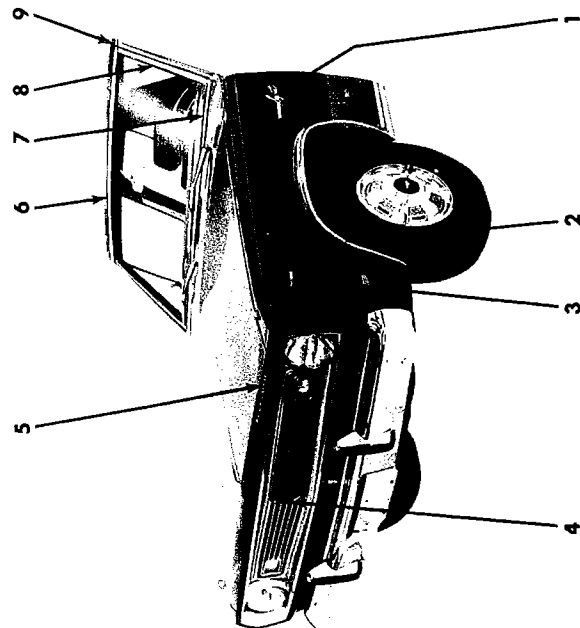
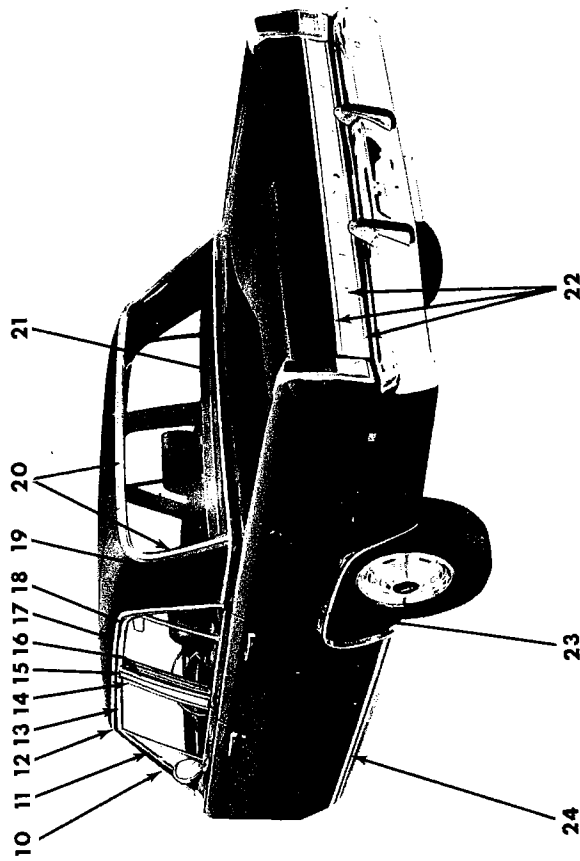
REF. NO.	QTY	PART NUMBER	DESCRIPTION	REF. NO.	QTY	PART NUMBER	DESCRIPTION
1	2	2786 926	NAME PLATE, Fender (Valiant-Signet) (12-15-2)	14	1	2807 720-1	MOULDING PACKAGE, Body Lock Pillar Upr. (23-23-16)
	6	6026 404	Nut		6	6024 271	Screw
2	1	2933 550-1	MOULDING PACKAGE, Fender Wheel Opening (12-15-2)	15	1	2839 498-9	MOULDING, Qtr. Wdo. Opng. Frame, Frt. (23-23-73)
	7	6027 413	Screw	16	1	2784 196-7	MOULDING, Qtr. Wdo. Outside Upr. (23-23-73)
3	1	2785 791	NAME PLATE, Hood (15-06-3)	17	1	2932 464-5	MOULDING PACKAGE, Rear Wdo. Outside, Upr. (23-23-52)
	3	6027 552	Nut		12	6002 263	Retainer and Screw
4	1	2898 239	ORNAMENT, Radiator Grille (7-17-1)	18	1	2901 844	PANEL, Deck Lid Finish (23-23-30)
	1	2898 887	Spacer, Ornament Mtg.		8	441 239	Nut
	2	9419 251	Nut		6	6002 387	Retainer & Seal
5	1	2932 452-3	MOULDING PACKAGE, Windshield Outside, Upr. (23-23-65)		4	6002 671	Retainer & Seal
	8	6002 263	Retainer	19	1	2932 466-7	MOULDING PACKAGE, Rear Wdo. Outside, Lwr. (23-23-52)
6	1	2932 445	MOULDING PACKAGE, Windshield Outside, Lwr. (23-23-65)		8	6002 263	Retainer & Screw
	5	6002 263	Retainer	20	1	2933 548-9	MOULDING PACKAGE, Qtr. Outside Whl. Opng. (23-23-39)
	4	6002 615	Retainer		16	6024 271	Screw
7	1	2932 448-9	MOULDING PACKAGE, Windshield Outside, Side (23-23-65)	21	1	2809 692-3	MOULDING PACKAGE, Qtr. Outside Belt, use w/Vinyl Roof and Two Tone Paint (23-23-39)
	6	6002 263	Retainer		6	6002 354	Fastener
8	1	2807 882-3	MOULDING PACKAGE, Body Frt. Pillar Trim, use w/Vinyl Roof and Two Tone Paint (23-23-14)	22	2	2933 501	MOULDING PACKAGE, Body Side Sill (23-23-2)
	2	6027 205	Screw		1	6002 381	Retainer
9	1	2783 024-5	MOULDING, Body Frt. Pillar Drain Trough (23-59-61)		8	6024 271	Screw
	AR	----	Spacer		8	6002 684	Retainer
10	1	2663 434-5	MOULDING, Frt. Door Wdo. Opng. Frame, Frt. (23-23-32)		1	6026 523	Nut
11	2	2783 028	COVER, Roof Side Drain Trough Mldg. Joint (23-59-57)	23	1	2663 438-9	MOULDING, Frt. Door Wdo. Opng. Frame, Rr. (23-23-32)
12	1	2663 436-7	MOULDING, Frt. Door Wdo. Opng. Frame, Upr. (23-23-32)				
13	1	2783 026-7	MOULDING, Roof Side Drain Trough, w/o Vinyl Roof (23-59-61)				
	AR	----	Spacer				
	1	2840 980-1	MOULDING, Roof Side Drain Trough, w/Vinyl Roof (23-59-61)				
	AR	----	Spacer				

All Packages Include Attaching Parts

Part Type Code is Indicated in Parentheses

EXTERIOR VIEW - VALIANT SIGNET V-H 2 DOOR SEDAN

19a2401



EXTERIOR VIEW - VALIANT SIGNET V-H 4 DOOR SEDAN

REF. NO.	QTY	PART NUMBER	DESCRIPTION
1	2	2786 926	NAME PLATE, Fender Side (12-15-21)
	6	6026 404	Nut
2	1	2933 550-1	MOULDING PACKAGE, Fender Wheel Opening (12-15-2)
	7	6027 413	Screw
3	2	2579 612	ORNAMENT, Fender Side (12-15-21)
	4	6026 404	Nut
4	1	2898 239	ORNAMENT, Radiator Grille (7-17-1)
	1	2898 887	Spacer, Ornament Mtg. (7-17-21)
	2	9419 751	Nut
5	1	2785 791	NAME PLATE, Hood Front (15-06-3)
	3	6027 552	Nut
6	1	2932 452-3	MOULDING PACKAGE, Windshield Outside, Upr. (23-23-65)
	8	6002 263	Retainer
7	1	2932 445	MOULDING PACKAGE, Windshield Outside, Lwr. (23-23-65)
	5	6002 263	Retainer
	4	6002 615	Retainer
8	1	2932 448-9	MOULDING PACKAGE, Windshield Outside, Side (23-23-65)
	6	6002 263	Retainer
9	1	2807 882-3	MOULDING PACKAGE, Body Frt. Pillar Trim, use w/Two Tone and Vinyl Roof (23-23-14)
	2	6027 205	Screw
10	1	2783 024-5	MOULDING, Body Frt. Pillar Drain Trough (23-59-61)
	AR	----	Spacer
11	1	2663 434-5	MOULDING, Frt. Door Wdo. Opng. Frame, Frt. (23-23-32)
12	2	2783 028	COVER, Roof Side Drain Trough Midg. Joint (23-59-57)
13	1	2663 440-1	MOULDING, Frt. Door Wdo. Opng. Frame, Upr. (23-23-32)
14	1	2663 442-3	MOULDING, Frt. Door Wdo. Opng. Frame, Rr. (23-23-32)
15	1	2807 920-1	MOULDING PACKAGE, Body Ctr. Pillar Outside Finish (23-23-16)
	8	6024 271	Screw

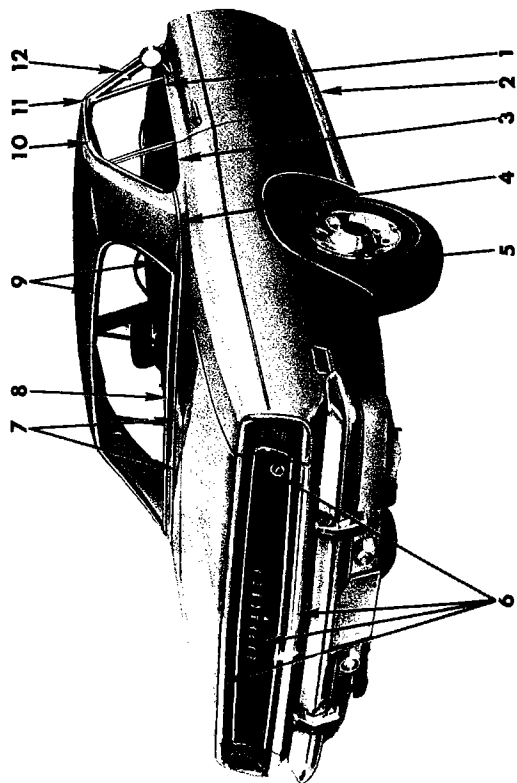
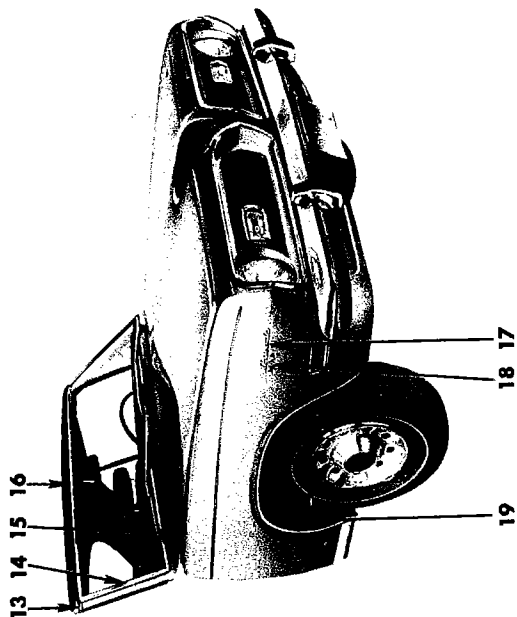
REF. NO.	QTY	PART NUMBER	DESCRIPTION
16	1	2664 812-3	MOULDING, Rear Door Wdo. Opng. Frame, Frt. (23-23-33)
17	1	2783 026-7	MOULDING, Roof Side Drain Trough, w/o Vinyl Roof (23-59-61)
	AR	----	Spacer
	1	2840 980-1	MOULDING, Roof Side Drain Trough, w/Vinyl Roof (23-59-61)
18	1	2664 814-5	MOULDING, Rear Door Wdo. Opng. Frame, Upr. and Rear (23-23-33)
19	1	2809 682-3	MOULDING PACKAGE, Qtr. Outside Belt, use w/Two Tone Paint and Vinyl Roof (23-23-39)
	6	6002 354	Fastener
20	1	2932 464-5	MOULDING PACKAGE, Rear Wdo. Upr. and Side (23-23-52)
	12	6002 263	Retainer and Screw
21	1	2932 466-7	MOULDING PACKAGE, Rear Wdo. Outside Lwr. (23-23-52)
	8	6002 263	Retainer and Screw
22	1	2901 844	PANEL, Deck Lid Finish (23-23-30)
	8	441 239	Nut
	6	6002 387	Retainer and Seal
	4	6002 671	Retainer and Seal
23	1	2933 548-9	MOULDING PACKAGE, Qtr. Outside Whl. Opng. (23-23-39)
	16	6024 271	Screw
24	2	2933 501	MOULDING PACKAGE, Body Side Sill (23-23-2)
	1	6002 381	Retainer
	8	6024 271	Screw
	8	6002 684	Retainer
	1	6026 523	Nut

All Packages Include Attaching Parts

Part Type Code is Indicated in Parentheses

EXTERIOR VIEW - VALLANT SIGNET V-H 4 DOOR SEDAN

19a2489



EXTERIOR VIEW - BARRACUDA B-H (FORMULA "S") 2 DOOR HARDTOP

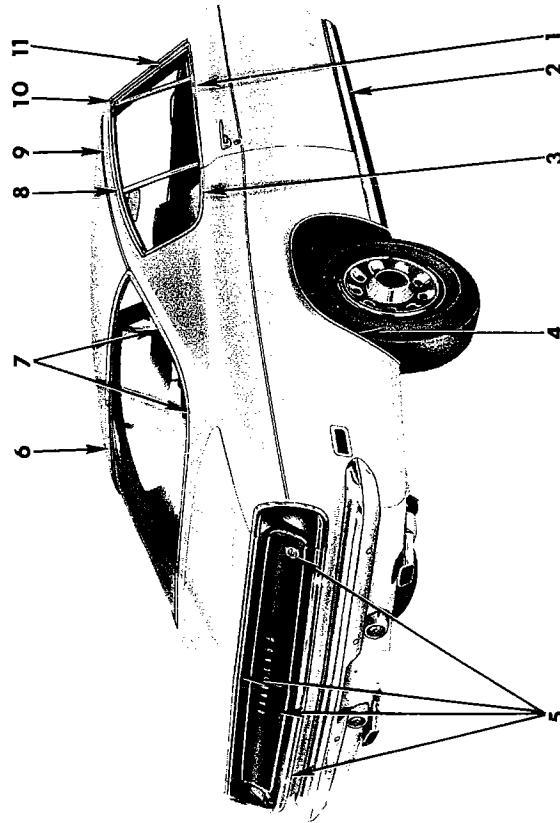
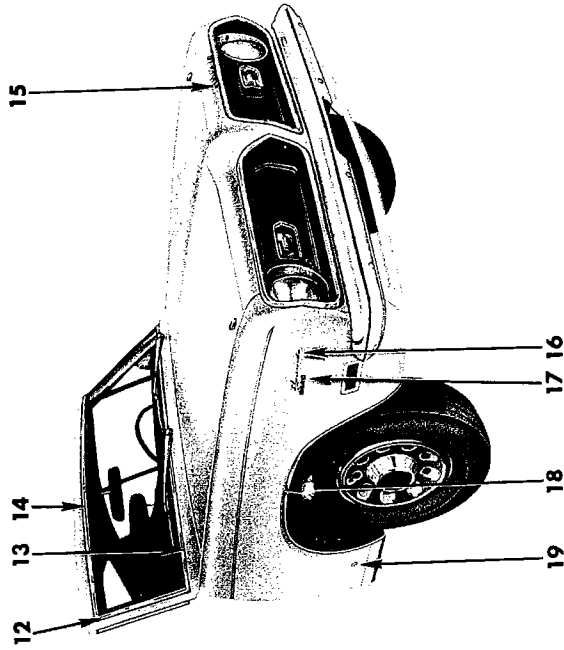
REF. NO.	QTY	PART NUMBER	DESCRIPTION	REF. NO.	QTY	PART NUMBER	DESCRIPTION
1	1	2809 690-1	MOULDING PACKAGE, Door Outside Belt (23-23-32)	10	1	2839 190-1	MOULDING, Roof Side Drain Trough, w/o Vinyl Roof (23-59-61)
	12	6002 284	Retainer and Seal		AR	----	Spacer
2	1	2933 236-7	MOULDING PACKAGE, Body Side Sill Outside, Wide Mldg. (23-23-2)	1	2840 976-7	MOULDING, Roof Side Drain Trough, w/Vinyl Roof (23-59-61)	
	18	6002 437	Retainer	11	2	2783 028	COVER, Roof Side Drain Trough Mldg. Joint (23-59-57)
	2	6002 708	Retainer and Seal	12	1	2783 018-9	MOULDING, Body Frt. Pillar Outside (23-59-61)
	18	6024 271	Screw		AR	----	Spacer
3	1	2809 696-7	MOULDING PACKAGE, Qtr. Outside Belt (23-23-39)	13	1	2807 882-3	MOULDING PACKAGE, Frt. Pillar Trim, use w/Vinyl Roof and Two Tone Paint (23-23-14)
	6	6002 284	Retainer and Seal		2	6027 205	Screw
4	1	2809 724	MOULDING PACKAGE, Qtr. Outside Belt, Rt., use w/Vinyl Roof (23-23-39)	14	1	2932 446-7	MOULDING PACKAGE, Windshield Outside, Side (23-23-65)
	6	6002 297	Retainer and Seal		6	6002 263	Retainer
	6	----	Nut	15	1	2932 445	MOULDING PACKAGE, Windshield Outside, Lwr. (23-23-65)
5	1	2809 692-3	MOULDING PACKAGE, Qtr. Outside Whl. Opng. (23-23-39)		5	6002 263	Retainer
	18	6024 271	Screw		4	6002 615	Retainer
6	1	2902 772	PANEL, Deck Lid Finish, Formula "S" Pkg. (23-23-30)	16	1	2932 450-1	MOULDING PACKAGE, Windshield Outside, Upr. (23-23-65)
	5	441 239	Nut		8	6002 263	Retainer
	7	6026 523	Nut	17	2	2901 852	NAME PLATE, Fender Side (12-15-21)
7	1	2809 725	MOULDING and COVER PACKAGE, Qtr. Outside Belt, use w/Vinyl Roof (23-23-39)		6	6027 352	Nut
	6	6002 297	Retainer and Seal	18	2	2901 859	NAME PLATE, Fender Side (12-15-21)
	6	----	Nut		4	6027 352	Nut
8	1	2932 462-3	MOULDING PACKAGE, Rear Wdo. Outside, Lwr. (23-23-52)	19	1	2807 876-7	MOULDING PACKAGE, Fender Wheel Opening (12-15-2)
	8	6002 263	Retainer and Screw		8	6024 271	Screw
9	1	2932 460-1	MOULDING PACKAGE, Rear Wdo. Outside, Upr. and Side (23-23-52)				
	10	6002 263	Retainer and Screw				

All Packages Include Attaching Parts

Part Type Code is Indicated in Parentheses

EXTERIOR VIEW - BARRACUDA B-H (FORMULA "S") 2 DOOR HARDTOP

19a2404A



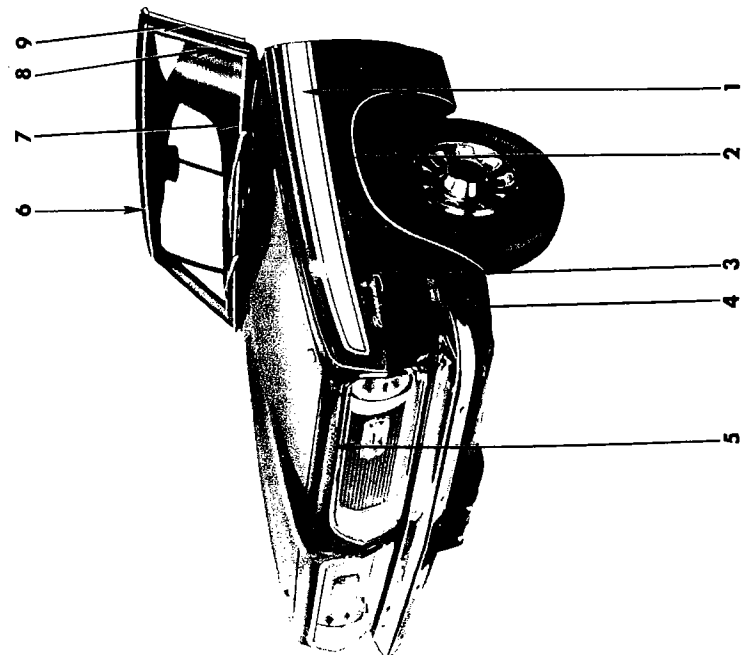
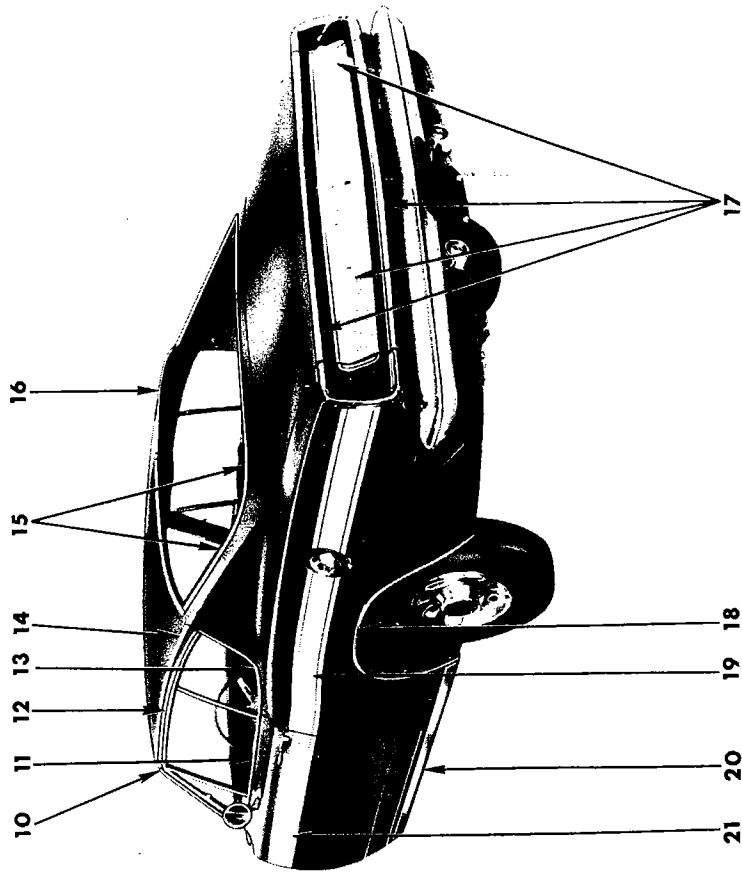
EXTERIOR VIEW - BARRACUDA B-H (FAST BACK-FORMULA "S") SPECIAL 2 DOOR HARDTOP

REF. NO.	QTY	PART NUMBER	DESCRIPTION	REF. NO.	QTY	PART NUMBER	DESCRIPTION
1	1	2809 690-1	MOULDING PACKAGE, Door Outside Belt (23-23-32)	10	2	2783 028	COVER, Roof Side Drain Trough Mldg. Joint (23-59-57)
	12	6002 284	Retainer and Seal	11	1	2783 018-9	MOULDING, Body Frt. Pillar Drain Trough (23-59-61)
2	1	2933 236-7	MOULDING PACKAGE, Body Side Sill, Wide Mldg. Outside (23-23-2)		AR	----	Spacer
	18	6002 437	Retainer	12	1	2932 446-7	MOULDING PACKAGE, Windshield Outside, Side (23-23-65)
	2	6002 708	Retainer and Seal		6	6002 263	Retainer
	18	6024 271	Screw	13	1	2932 445	MOULDING PACKAGE, Windshield Outside, Lower (23-23-65)
3	1	2932 454-5	MOULDING PACKAGE, Qtr. Wdo. Outside (23-23-73)		5	6002 263	Retainer
	4	6002 284	Retainer	4	6002 615	Retainer	
	4	9414 752	Screw	14	1	2932 450-1	MOULDING PACKAGE, Windshield Outside, Upper (23-23-65)
4	1	2809 692-3	MOULDING PACKAGE, Qtr. Outside Whl. Opng. (23-23-39)		8	6002 263	Retainer
	18	6024 271	Screw	15	1	2785 791	NAME PLATE, Radiator Grille (7-16-61)
5	1	2902 772	PANEL, Deck Lid Finish (Formula "S" Pkg.)(23-23-30)	16	2	2901 852	NAME PLATE, Fender Side (12-15-21)
	5	441 239	Nut		6	6027 352	Nut
	7	6026 523	Nut	17	2	2901 859	NAME PLATE, Fender Side (340-S) (12-15-21)
6	1	2932 456-7	MOULDING PACKAGE, Rear Wdo. Outside, Upr. (23-23-52)		2	2901 858	(383-S)
	8	6002 615	Retainer and Screw		4	6027 352	Nut
7	1	2932 458-9	MOULDING PACKAGE, Rear Wdo. Outside, Side and Lwr. (23-23-52)	18	1	2807 876-7	MOULDING PACKAGE, Fender Wheel Opening (12-15-2)
	9	6002 615	Retainer and Screw, Rt.		8	6024 271	Screw
	9	6002 263	Retainer and Screw, Lt.	19	1	2785 540	MEDALLION, Fender Side (12-15-21)
8	1	2784 828-9	MOULDING, Roof Side Drain Trough (23-59-61)		1	6026 404	Nut
	AR	----	Spacer				
9	1	3419 120-1	MOULDING PACKAGE, Roof Side, w/Vinyl Roof (23-23-42)				
	16	6002 354	Fastener				

All Packages Include Attaching Parts

Part Type Code is Indicated in Parentheses

EXTERIOR VIEW - BARRACUDA B-H (FAST BACK-FORMULA "S") SPECIAL 2 DOOR HARDTOP



19a2702

EXTERIOR VIEW - BARRACUDA B-H (FAST BACK WITHOUT FORMULA "S" PACKAGE) SPECIAL 2 DOOR HARDTOP (TYPICAL OF 2 DOOR HARDTOP AND CONVERTIBLE COUPE WITHOUT FORMULA "S" PACKAGE)

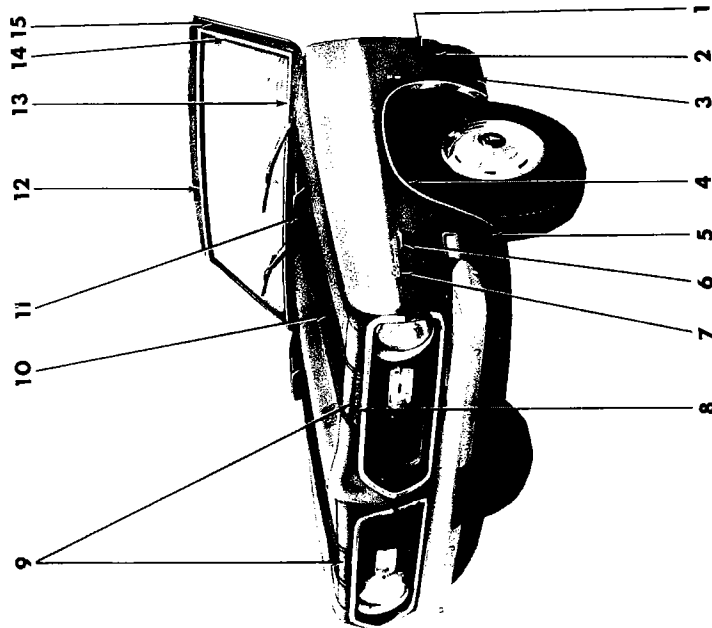
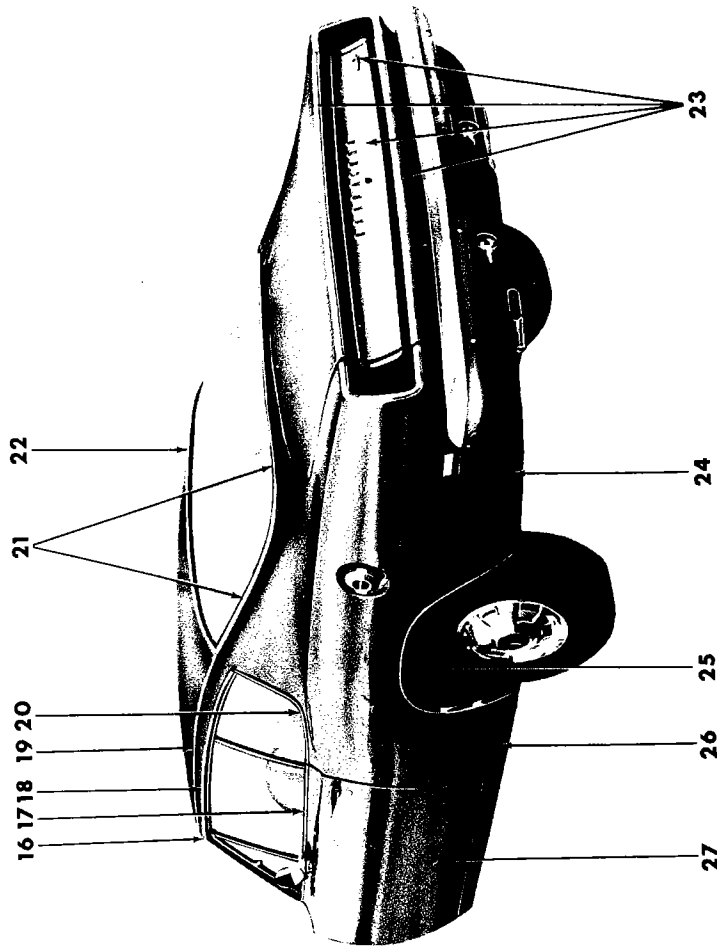
REF. NO.	QTY	PART NUMBER	DESCRIPTION
1	1	2964 878-9	TAPE, Fender Stripe, "White" (12-15-33)
	1	2964 880-1	"Red"
	1	2964 882-3	"Black"
	1	2964 872-3	"340 White"
	1	2964 874-5	"340 Red"
	1	2964 876-7	"340 Black"
	1	2964 918-9	"383 White"
	1	2964 920-1	"383 Red"
	1	2964 922-3	"383 Black"
2	1	2807 876-7	MOULDING PACKAGE, Fender Wheel Opening (12-15-2)
	8	6024 271	Screw
3	1	2963 656-7	ORNAMENT, Fender Side (Fish) (12-15-21)
	4	6027 352	Nut
4	2	2901 852	NAME PLATE, Fender Side (Barracuda) (12-15-21)
	6	6027 352	Nut
5	1	2785 791	NAME PLATE, Radiator Grille (7-16-61)
6	1	2932 450-1	MOULDING PACKAGE, Windshield Outside, Upr. (23-23-65)
	8	6002 263	Retainer
7	1	2932 445	MOULDING PACKAGE, Windshield Outside, Lwr. (23-23-65)
	5	6002 263	Retainer
	4	6002 615	Retainer
8	1	2932 446-7	MOULDING PACKAGE, Windshield Outside, Side (23-23-65)
	6	6002 263	Retainer
9	1	2783 018-9	MOULDING, Body Frt. Pillar Drain Trough (23-59-61)
	AR	----	Spacer
10	2	2783 028	COVER, Roof Side Drain Trough Mldg. Joint (23-59-57)
11	1	2809 690-1	MOULDING PACKAGE, Door Outside Belt (23-23-32)
	12	6002 284	Retainer and Seal
12	1	2784 828-9	MOULDING, Roof Side Drain Trough (23-59-61)
	AR	----	Spacer
13	1	2932 454-5	MOULDING PACKAGE, Qtr. Wdo. Outside (23-23-73)
	4	6002 284	Retainer
	4	9414 752	Screw

REF. NO.	QTY	PART NUMBER	DESCRIPTION
14	1	3419 120-1	MOULDING PACKAGE, Roof Side, w/Vinyl Roof (23-23-42)
	16	6002 354	Fastener
15	1	2932 458-9	MOULDING PACKAGE, Rear Wdo. Outside, Side & Lwr. (23-23-52)
	9	6002 615	Retainer & Screw, Rt.
	9	6002 263	Retainer & Screw, Lt.
16	1	2932 456-7	MOULDING PACKAGE, Rear Wdo. Outside, Upr. (23-23-52)
	8	6002 615	Retainer & Screw
17	1	2902 767	PANEL, Deck Lid Finish (23-23-30)
	5	441 239	Nut
	7	6026 523	Nut
18	1	2809 692-3	MOULDING PACKAGE, Qtr. Outside Whl. Opng. (23-23-39)
	18	6024 271	Screw
19	1	2964 890-1	TAPE, Qtr. Stripe, "White" (23-23-12)
	1	2964 892-3	"Red"
	1	2964 894-5	"Black"
20	1	2933 236-7	MOULDING PACKAGE, Body Side Sill (23-23-2)
	18	6002 437	Retainer
	2	6002 708	Retainer & Seal
	18	6024 271	Screw
21	1	2964 884-5	TAPE, Door Stripe, "White" (23-23-12)
	1	2964 886-7	"Red"
	1	2964 888-9	"Black"

All Packages Include Attaching Parts

Part Type Code is Indicated in Parentheses

EXTERIOR VIEW - BARRACUDA B-H
 (FAST BACK WITHOUT FORMULA "S" PACKAGE) SPECIAL 2 DOOR HARDTOP
 (TYPICAL OF 2 DOOR HARDTOP AND CONVERTIBLE COUPE WITHOUT FORMULA "S" PACKAGE)



19a2721

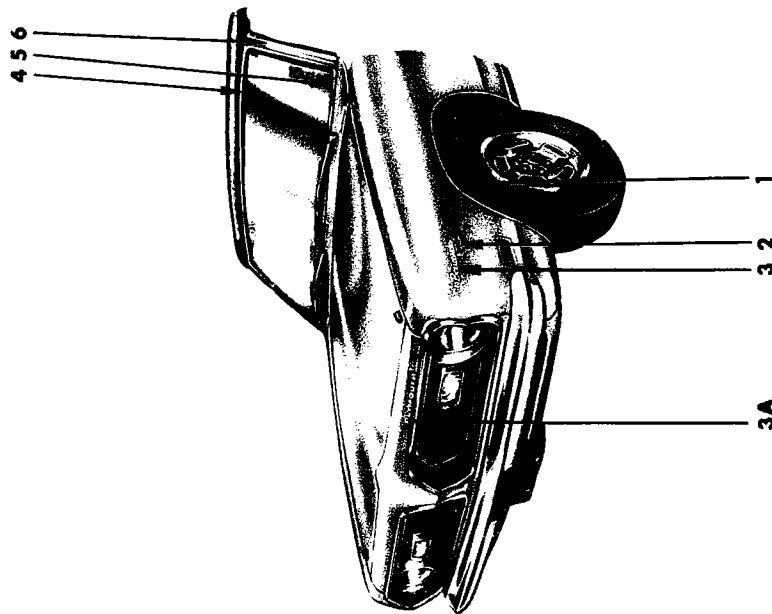
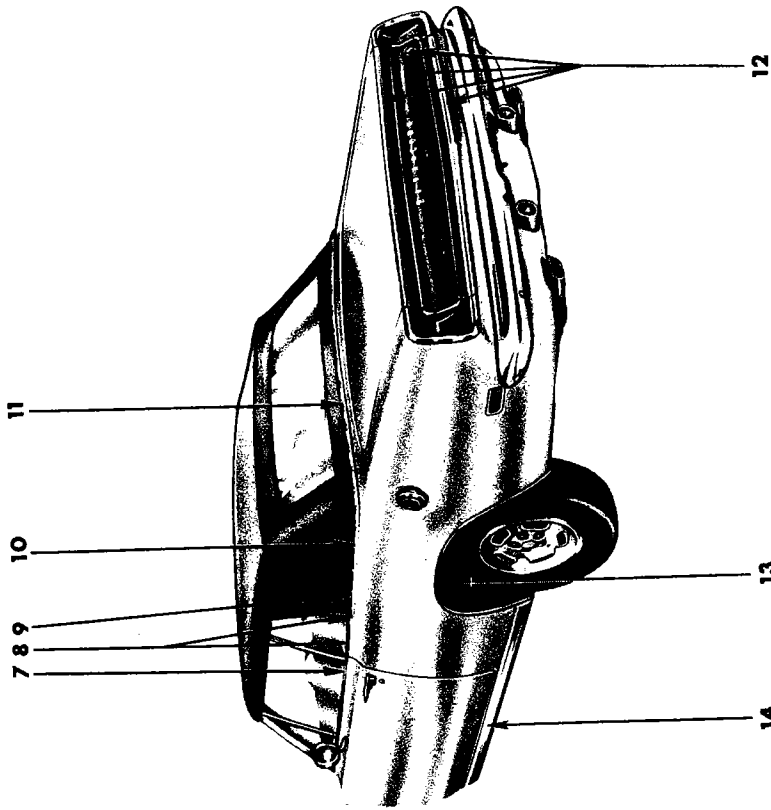
EXTERIOR VIEW - BARRACUDA B-H (FAST BACK CUDA 340) SPECIAL 2 DOOR HARDTOP (TYPICAL OF 2 DOOR HARDTOP)

REF. NO.	QTY	PART NUMBER	DESCRIPTION	REF. NO.	QTY	PART NUMBER	DESCRIPTION
1	2	3444 983	DECAL, Fender Side (Cuda) (12-15-21)	17	1	2809 690-1	MOULDING PACKAGE, Door Outside Belt (23-23-32)
2	2	2964 914	DECAL, Fender Side (340) (12-15-21)	18	12	6002 284	Retainer & Seal
	2	2964 916	(383)	18	1	2784 828-9	MOULDING, Roof Side Drain Trough (23-59-61)
3	1	2965 556-7	TAPE, Fender Rear (12-15-33)		AR	---- ---	Spacer
4	1	2807 876-7	MOULDING PACKAGE, Fender Wheel Opening (12-15-2)	19	1	3419 120-1	MOULDING PACKAGE, Roof Side, w/Vinyl Roof (23-23-42)
	8	6024 271	Screw		16	6002 354	Fastener
5	1	2965 558-9	TAPE, Fender Front (12-15-33)	20	1	2932 454-5	MOULDING PACKAGE, Qtr. Wdo. Outside (23-23-73)
6	1	2963 656-7	ORNAMENT, Fender Side (12-15-21)		4	6002 284	Retainer
	4	6027 352	Nut		4	9414 752	Screw
7	2	2901 852	NAME PLATE, Fender Side (12-15-21)	21	1	2932 458-9	MOULDING PACKAGE, Rear Wdo. Outside, Side & Lwr. (23-23-52)
	6	6027 352	Nut		9	6002 615	Retainer & Screw, Rt.
8	1	2785 791	NAME PLATE, Radiator Grille Panel (7-16-61)		9	6002 263	Retainer & Screw, Lt.
9	1	2949 352-3	TAPE, Radiator Grille Upper Panel (Black) (7-17-17)	22	1	2932 456-7	MOULDING PACKAGE, Rear Wdo. Outside, Lwr. (23-23-52)
10	1	2949 344-5	TAPE, Hood (15-03-69)		8	6002 615	Retainer & Screw
11	1	2949 336-7	ORNAMENT, Hood Top (15-03-18)	23	1	2902 767	PANEL, Deck Lid Finish (23-23-30)
	8	---- ---	Nut		5	441 239	Nut
	8	---- ---	Washer		7	6026 523	Nut
12	1	2932 450-1	MOULDING PACKAGE, Wind- shield Outside, Upr. (23-23-65)	24	1	2965 552-3	TAPE, Qtr. Pnl., Rr., "Black" (23-23-12)
	8	6002 263	Retainer	25	1	2809 692-3	MOULDING PACKAGE, Qtr. Outside Wheel Opng. (23-23-39)
13	1	2932 445	MOULDING PACKAGE, Wind- shield Outside, Lwr. (23-23-65)		18	6024 271	Screw
	5	6002 263	Retainer	26	1	2965 550-1	TAPE, Qtr. Pnl., Frt., "Black" (23-23-12)
	4	6002 615	Retainer	27	1	2965 554-5	TAPE, Door Pnl., "Black" (23-23-12)
14	1	2932 446-7	MOULDING PACKAGE, Wind- shield Outside, Side (23-23-65)				
	6	6002 263	Retainer				
15	1	2783 018-9	MOULDING, Body Frt. Pillar Drain Trough (23-59-61)				
	AR	---- ---	Spacer				
16	2	2783 028	COVER, Roof Side Drain Trough Mldg. Joint (23-59-57)				

All Packages Include Attaching Parts

Part Type Code is Indicated in Parentheses

EXTERIOR VIEW - BARRACUDA B-H (FAST BACK CUDA 340)
SPECIAL 2 DOOR HARDTOP (TYPICAL OF 2 DOOR HARDTOP)



19a2553

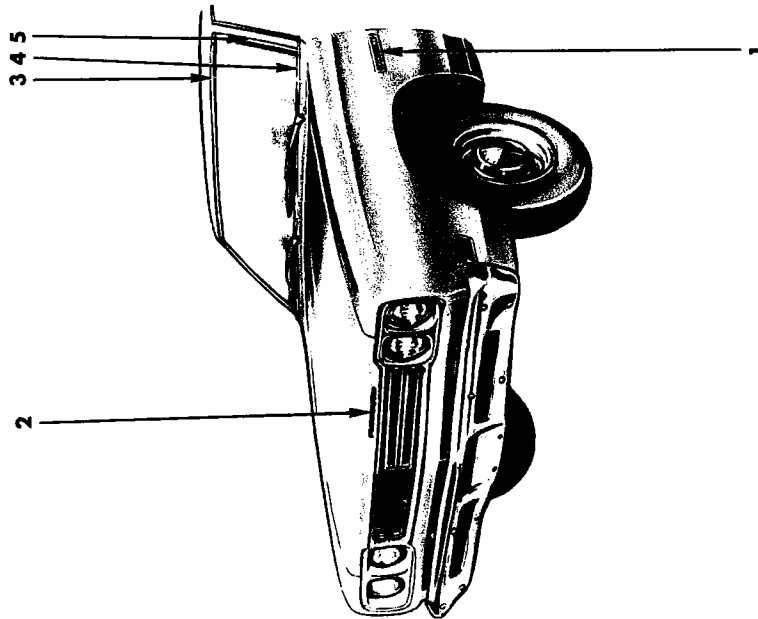
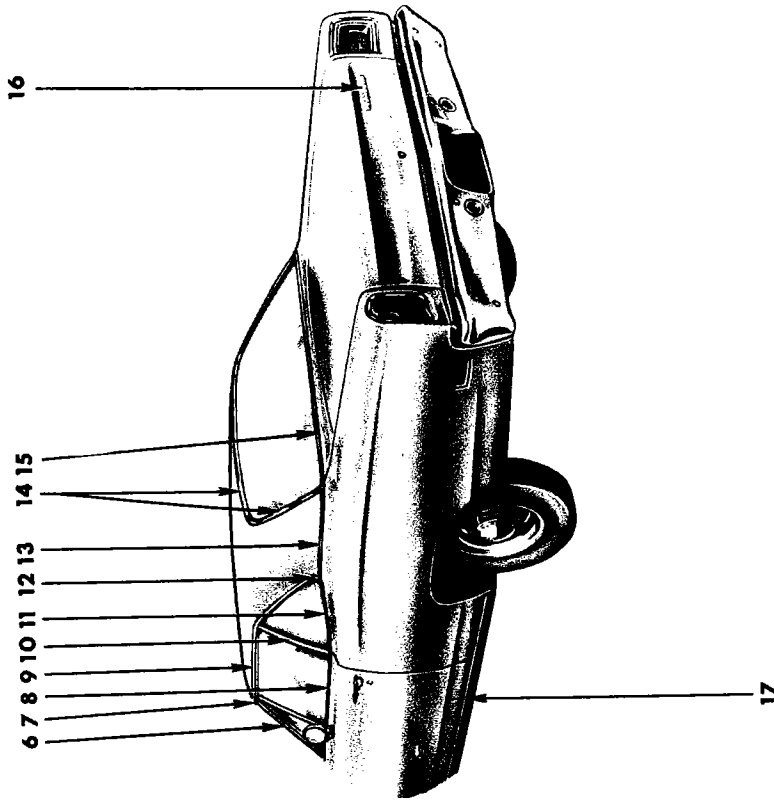
EXTERIOR VIEW - BARRACUDA B-H CONVERTIBLE COUPE

REF. NO.	QTY	PART NUMBER	DESCRIPTION	REF. NO.	QTY	PART NUMBER	DESCRIPTION
1	1	2807 876-7	MOULDING PACKAGE, Fender Wheel Opening (12-15-2)	9	1	2784 024-5	MOULDING, Qtr. Outside Belt, Intermediate, use w/Belt Mldg. (23-23-39)
	8	6024 271	Screw		2	6024 638	Screw
2	2	2901 859	NAME PLATE, Fender Side (340-S) (12-15-21)		2	6026 650	Screw
	2	2901 858	(383-S)	10	1	2784 026-7	MOULDING, Qtr. Outside Belt, Rear (23-23-39)
	4	6027 352	Nut		14	6002 249	Retainer
3	2	2901 852	NAME PLATE, Fender Side, Barracuda (12-15-21)		14	6026 087	Stud Retainer
	6	6027 352	Nut	11	1	2784 028	MOULDING, Deck Opng. Upr. Panel (23-23-31)
3A	1	2785 791	NAME PLATE, Radiator Grille (7-16-61)		9	6002 249	Retainer
4	1	2807 776-7	MOULDING PACKAGE, Windshield Header Outside, Upr. (23-23-65)		9	6026 087	Stud Retainer
	6	6026 220	Screw	12	1	2902 767	PANEL, Deck Lid Finish, w/o Formula "S" Pkg. (23-23-30)
5	1	2839 148	LOCKINGSTRIP, Windshield Glass Weatherstrip (23-66-239)		1	2902 772	PANEL, Deck Lid Finish, w/Formula "S" Pkg. (23-23-30)
6	1	2782 018-9	MOULDING, Windshield Outside, Side (23-23-65)		5	441 239	Nut
	6	9415 910	Screw		7	6026 523	Nut
7	1	2809 690-1	MOULDING PACKAGE, Door Outside Belt (23-23-32)	13	1	2809 692-3	MOULDING PACKAGE, Qtr. Outside Wheel Opng. (23-23-39)
	12	6002 284	Retainer and Seal		18	6024 271	Screw
8	1	2809 728-9	MOULDING PACKAGE, Qtr. Outside Belt, Frt., use w/Belt Mldg. (23-23-39)	14	1	2933 236-7	MOULDING PACKAGE, Body Side Sill Outside (23-23-2)
	6	6002 284	Retainer and Seal		18	6002 437	Retainer
	1	2932 510-1	MOULDING PACKAGE, Qtr. Outside Belt, Frt., use w/o Belt Mldg. (23-23-39)		2	6002 708	Retainer and Seal
	2	6024 638	Screw		18	6024 271	Screw
	2	6026 650	Screw				

All Packages include Attaching Parts

Part Type Code is Indicated in Parentheses

EXTERIOR VIEW - BARRACUDA B-H CONVERTIBLE COUPE



19a2568

EXTERIOR VIEW - BELVEDERE R-L 2 DOOR SEDAN

REF. NO.	QTY	PART NUMBER	DESCRIPTION
1	2	2963 433	NAME PLATE, Fender Side (12-15-2)
	6	6027 351	Nut
2	1	2785 791	NAME PLATE, Hood Front (15-06-3)
	3	6027 552	Nut
3	1	2811 259	MOULDING, Windshield Outside, Upr. (23-23-65)
	8	6002 263	Retainer Screw and Seal
4	1	2811 888-9	MOULDING, Windshield Outside Finish, Lwr. (23-23-65)
	10	6001 855	Retainer
	10	6023 248	Screw
5	1	2811 260-1	MOULDING, Windshield Outside Finish, Side (23-23-65)
	6	6002 263	Retainer Screw and Seal
6	1	2840 280-1	MOULDING, Body Frt. Pillar Drain Trough, w/o Vinyl Roof (23-59-61)
	2	----	Spacer
	1	2932 512-3	MOULDING PACKAGE, Body Frt. Pillar Drain Trough, w/Vinyl Roof (23-59-61)
	2	----	Spacer
7	2	2783 028	COVER, Roof Side Drain Trough Mldg. Joint (23-59-57)
8	1	2932 098-9	MOULDING PACKAGE, Door Outside Belt (23-23-32)
	12	6002 549	Retainer
9	1	2840 282-3	MOULDING, Roof Side Drain Trough, w/o Vinyl Roof (23-59-61)
	6	----	Spacer
	1	2841 504-5	MOULDING, Roof Side Drain Trough, w/Vinyl Roof (23-59-61)
	6	----	Spacer

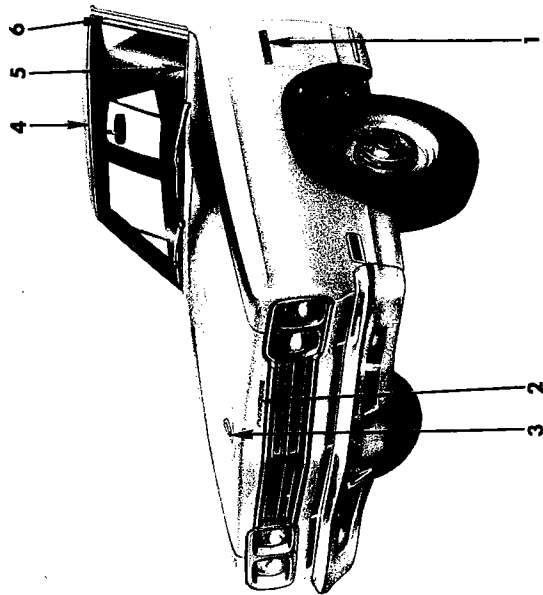
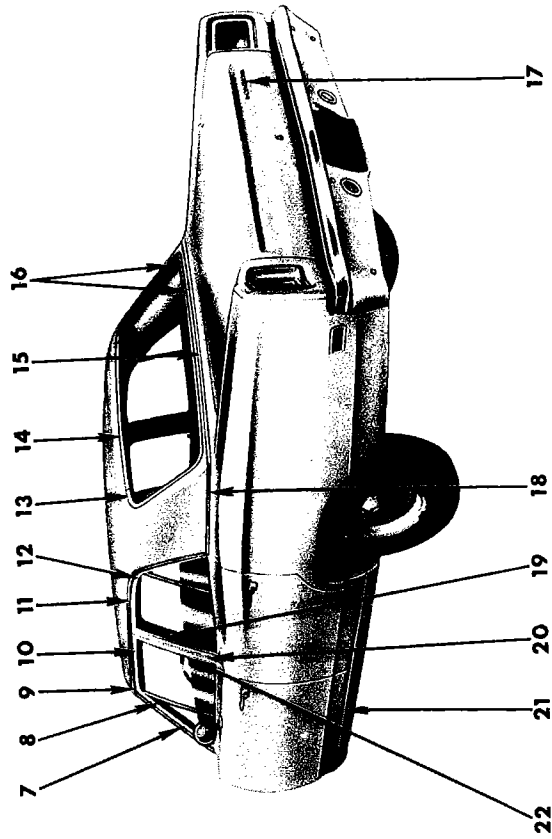
REF. NO.	QTY	PART NUMBER	DESCRIPTION
10	1	2840 894-5	MOULDING, Body Lock Upr. Pillar Outside (23-23-16)
	8	6024 271	Screw
11	1	2932 234-5	MOULDING PACKAGE, Qtr. Wdo. Outside Belt (23-23-73)
	2	6023 898	Screw
	8	6026 552	Nut
	8	9414 752	Screw
12	1	2932 536-7	CAP PACKAGE, Roof Side Drain Trough Mldg. End (23-59-57)
	2	6024 564	Screw
13	1	2932 270-1	MOULDING PACKAGE, Qtr. Outside Belt, use w/Vinyl Roof and Two Tone Paint (23-23-39)
	8	6002 558	Retainer
14	1	3004 390-1	MOULDING PACKAGE, Rear Wdo. Outside, Side and Upr. (23-23-52)
	10	6001 084	Retainer and Screw
15	1	3004 392-3	MOULDING PACKAGE, Rear Wdo. Outside, Lwr. (23-23-52)
	7	6001 084	Retainer and Screw
16	1	2785 791	NAME PLATE, Deck Lid, "Plymouth" (23-19-114)
	3	6000 960	Clip
17	1	2932 268-9	MOULDING PACKAGE, Body Side Sill Outside (23-23-2)
	16	6001 910	Retainer
	2	6002 338	Retainer
	2	6024 403	Screw
	2	6026 523	Nut

All Packages Include Attaching Parts

Part Type Code is Indicated in Parentheses

EXTERIOR VIEW - BELVEDERE R-L 2 DOOR SEDAN

19a2543



EXTERIOR VIEW - BELVEDERE R-L 4 DOOR SEDAN

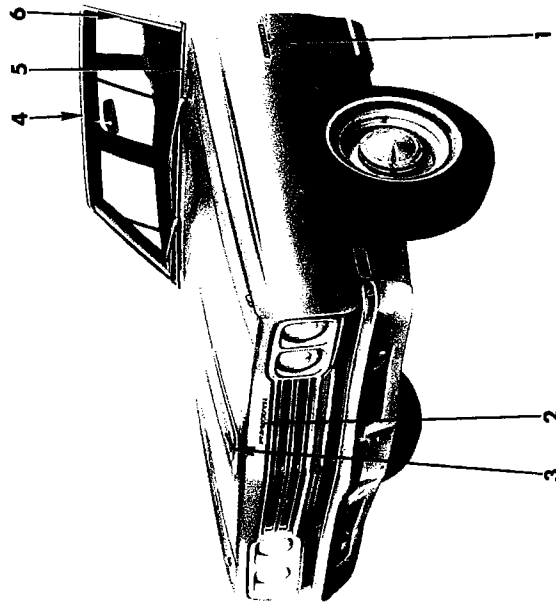
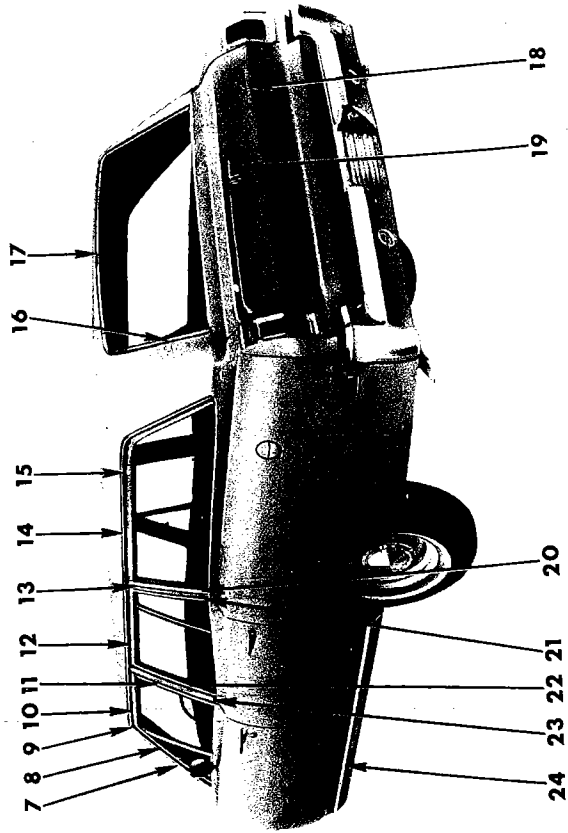
REF. NO.	QTY	PART NUMBER	DESCRIPTION	REF. NO.	QTY	PART NUMBER	DESCRIPTION
1	2	2963 433	NAME PLATE, Fender Side (12-15-21)	12	1	2811 438-9	MOULDING, Rear Door Wdo. Opng. Frame, Upr. (23-23-33)
	6	6027 351	Nut	13	1	3004 384-5	MOULDING PACKAGE, Rear Wdo. Outside Upr. Corner (23-23-52)
2	1	2785 791	NAME PLATE, Hood Front (15-06-3)		4	6001 084	Retainer and Screw
	3	6027 552	Nut	14	1	3004 388	MOULDING PACKAGE, Rear Wdo. Outside, Upr. (23-23-52)
3	1	2785 861	ORNAMENT, Hood Top (318) (15-03-18)		4	6001 084	Retainer and Screw
	1	2785 865	(383-2 Barrel)	15	1	2932 231	MOULDING PACKAGE, Deck Opng. Upr. Pnl., use w/Vinyl Roof and Two Tone Paint (23-23-31)
	1	2785 862	(383-4 Barrel)		6	6002 557	Retainer
	1	9420 253	Nut	16	1	3004 386-7	MOULDING PACKAGE, Rear Wdo. Outside, Lwr. and Side (23-23-52)
4	1	2584 699	MOULDING PACKAGE, Windshield Outside, Upr. (23-23-65)		10	6001 084	Retainer and Screw
	8	6002 263	Retainer Screw and Seal	17	1	2785 791	NAME PLATE, Deck Lid, "Plymouth" (23-19-114)
5	1	2585 852-3	MOULDING PACKAGE, Windshield Outside, Lwr. (23-23-65)		3	6000 960	Clip
	10	6001 855	Retainer and Seal	18	1	2932 252-3	MOULDING PACKAGE, Qtr. Outside Belt, use w/Vinyl Roof and Two Tone Paint (23-23-39)
	1	6002 242	Retainer, Rt.		6	6002 338	Retainer
	1	6002 243	Retainer, Lt.		2	6002 558	Retainer and Seal
	10	6023 248	Screw		6	9420 867	Nut
	2	9418 246	Screw	19	1	2570 914-5	MOULDING, Rear Door Wdo. Opng. Frame, Frt. (23-23-33)
6	1	2585 850-1	MOULDING PACKAGE, Windshield Outside Finish, Side (23-23-65)	20	1	2860 636-7	PANEL, Body Ctr. Pillar Outside Finish (23-23-16)
	6	6002 263	Retainer Screw and Seal		8	6024 271	Screw
7	1	2840 274-5	MOULDING, Body Frt. Pillar Drain Trough, w/o Vinyl Roof (23-59-61)	21	1	2932 268-9	MOULDING PACKAGE, Body Side Sill Outside (23-23-2)
	2	-----	Spacer		16	6001 910	Retainer
	1	2932 514-5	MOULDING PACKAGE, Body Frt. Pillar Drain Trough, w/Vinyl Roof (23-59-61)		2	6002 338	Retainer
	2	-----	Spacer		2	6024 403	Screw
8	1	2570 750-1	MOULDING, Frt. Door Wdo. Opng. Frame, Frt. (23-23-32)		2	6026 523	Nut
	2	2783 028	COVER, Roof Side Drain Trough Mldg. Joint (23-59-57)	22	1	2570 754-5	MOULDING, Frt. Door Wdo. Opng. Frame, Rr. (23-23-32)
9	2	2783 028	COVER, Roof Side Drain Trough Mldg. Joint (23-59-57)				
10	1	2570 752-3	MOULDING, Frt. Door Wdo. Opng. Frame, Upr. (23-23-32)				
11	1	2840 276-7	MOULDING, Roof Side Drain Trough, w/o Vinyl Roof (23-59-61)				
	6	-----	Spacer				
	1	2841 508-9	MOULDING, Roof Side Drain Trough, w/Vinyl Roof (23-59-61)				
	6	-----	Spacer				

All Packages Include Attaching Parts

Part Type Code is Indicated in Parentheses

EXTERIOR VIEW - BELVEDERE R-L 4 DOOR SEDAN

19a2586



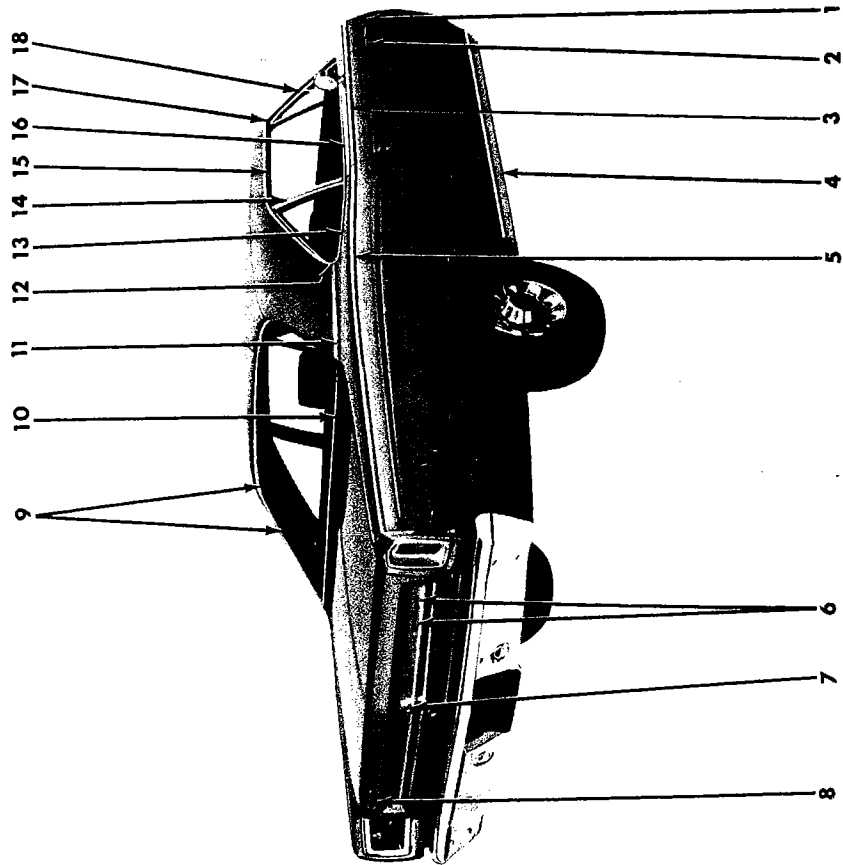
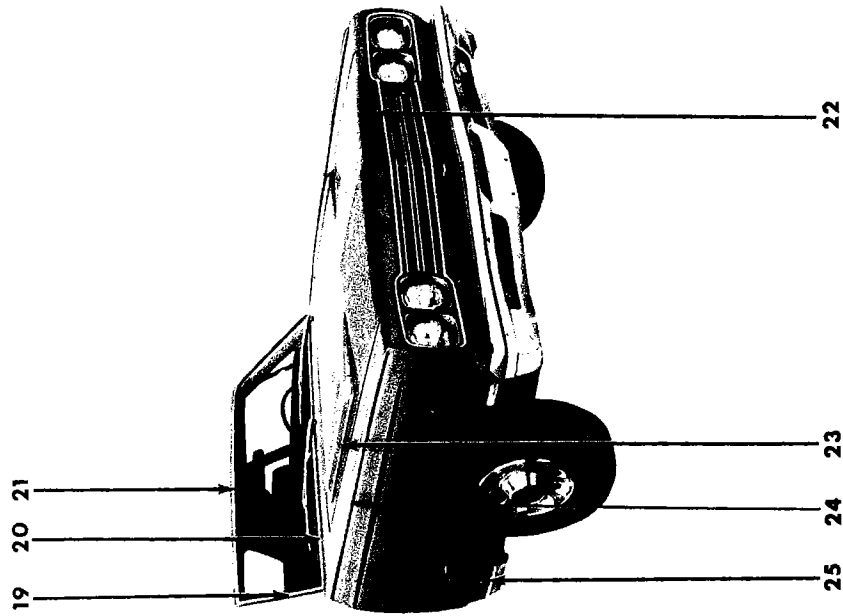
EXTERIOR VIEW - BELVEDERE R-L STATION WAGON

REF. NO.	QTY	PART NUMBER	DESCRIPTION	REF. NO.	QTY	PART NUMBER	DESCRIPTION
1	2	2963 433	NAME PLATE, Fender Side (Belvedere) (12-15-21)	13	1	2860 638-9	MOULDING, Qtr. Pnl. Rear Door Lock Pillar, Upr. (23-23-16)
	6	6027 351	Nut	14	1	2840 278-9	MOULDING, Roof Side Drain Trough (23-59-61)
2	1	2785 791	NAME PLATE, Hood Front (Plymouth) (15-06-3)		6	---- ---	Spacer
	3	6027 552	Nut	15	1	2860 866-7	MOULDING, Qtr. Wdo. Outside, Upr., Steel (23-23-73)
3	1	2785 865	ORNAMENT, Hood Top (383-2 Barrel) (15-03-18)	16	1	3004 382-3	MOULDING PACKAGE, Qtr. Pnl. Tailgate Upr. Pillar, Comp. (23-23-60)
	1	2785 862	(383-4 Barrel)		2	6024 564	Screw
	1	2785 869	(440)	17	1	2573 303	MOULDING, Roof Rear Tailgate Opng. (23-23-60)
	1	9420 253	Nut	18	1	2785 791	NAME PLATE, Tailgate Outside Pnl., "Plymouth" (23-54-11)
4	1	2584 699	MOULDING PACKAGE, Windshield Outside, Upr. (23-23-65)		3	6027 553	Nut
	8	6002 263	Retainer Screw & Seal	19	1	2862 816	ORNAMENT, Tailgate Electric Wdo. Regulator Outside (23-54-11)
5	1	2585 852-3	MOULDING PACKAGE, Windshield Outside, Lwr. (23-23-65)		2	6024 291	Nut w/Washer
	10	6001 855	Retainer & Seal	20	1	2860 868-9	MOULDING, Qtr. Wdo. Outside, Frt., Steel (23-23-73)
	1	6002 242	Retainer, Rt.		4	6002 054	Retainer
	1	6002 243	Retainer, Lt.		4	---- ---	Nut
	10	6023 248	Screw	21	1	2811 446-7	MOULDING, Rr. Door Wdo. Opng. Frame, Rr. (23-23-33)
	2	9418 246	Screw	22	1	2570 914-5	MOULDING, Rr. Door Wdo. Opng. Frame, Frt. (23-23-33)
6	1	2585 850-1	MOULDING PACKAGE, Windshield Outside Finish, Side (23-23-65)	23	1	2860 636-7	PANEL, Body Ctr. Pillar Outside, Finish (23-23-16)
	6	6002 263	Retainer Screw & Seal		8	6024 271	Screw
7	1	2605 854-5	MOULDING, Body Frt. Pillar Drain Trough (23-59-61)	24	1	2932 268-9	MOULDING PACKAGE, Body Side Sill Outside (23-23-2)
	2	---- ---	Spacer		16	6001 910	Retainer
8	1	2570 750-1	MOULDING, Frt. Door Wdo. Opng. Frame, Frt. (23-23-32)		2	6002 338	Retainer
9	2	2605 208	COVER, Roof Side Drain Trough (23-59-57)		2	6024 403	Screw
10	1	2570 752-3	MOULDING, Frt. Door Wdo. Opng. Frame, Upr. (23-23-32)		2	6026 523	Nut
11	1	2570 754-5	MOULDING, Frt. Door Wdo. Opng. Frame, Rr. (23-23-32)				
12	1	2588 466-7	MOULDING, Rr. Door Wdo. Opng. Frame, Upr. (23-23-33)				

All Packages Include Attaching Parts

Part Type Code is Indicated in Parentheses

EXTERIOR VIEW - BELVEDERE R-L STATION WAGON



19a2561

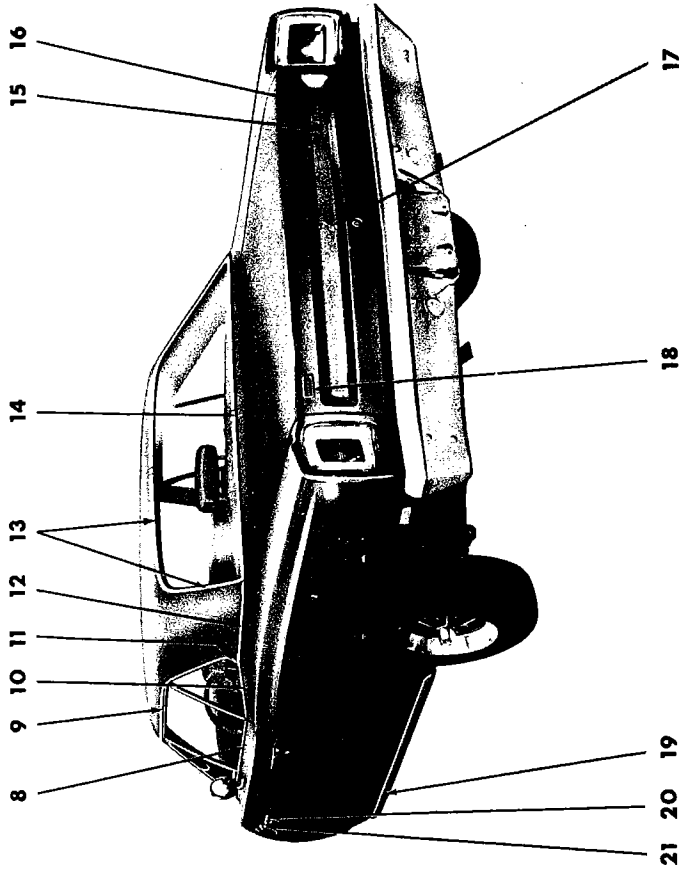
EXTERIOR VIEW - BELVEDERE ROAD RUNNER R-M 2 DOOR SEDAN

REF. NO.	QTY	PART NUMBER	DESCRIPTION	REF. NO.	QTY	PART NUMBER	DESCRIPTION
1	1	2964 112	DECAL, Door Outside, "Bird", Rt. (23-11-15)	14	1	2840 894-5	MOULDING, Body Lock Upr. Pillar Outside (23-23-16)
	1	2964 113	DECAL, Door Outside, "Bird", Lt. (23-11-15)		8	6024 271	Screw
2	2	2964 114	NAME PLATE, Door Outside, "Road" (23-11-21)	15	1	2840 282-3	MOULDING, Roof Side Drain Trough, w/o Vinyl Roof (23-59-61)
	2	2964 115	NAME PLATE, Door Outside, "Runner" (23-11-21)		6	---- ---	Spacer
	8	9420 263	Nut	1	2841 504-5	MOULDING, Roof Side Drain Trough, w/Vinyl Roof (23-59-61)	
3	1	2965 530-1	TAPE, Door Color Stripe Reflective, "White" (23-23-12)		6	---- ---	Spacer
	1	2965 532-3	"Red"	16	1	2932 098-9	MOULDING PACKAGE, Door Outside Belt (23-23-32)
4	1	2932 272-3	MOULDING PACKAGE, Body Side Sill (23-23-2)		12	6002 549	Retainer
	18	6002 445	Retainer	17	2	2783 028	COVER, Roof Side Drain Trough Mldg. Joint (23-59-57)
	2	6002 577	Retainer		1	2840 280-1	MOULDING, Body Frt. Pillar Drain Trough, w/o Vinyl Roof (23-59-61)
5	1	2965 534-5	TAPE, Qtr. Pnl. Color Stripe Reflective, "White" (23-23-12)		2	---- ---	Spacer
	1	2965 536-7	"Red"	1	2932 512-3	MOULDING PACKAGE, Body Frt. Pillar Drain Trough, w/Vinyl Roof (23-59-61)	
6	1	2964 114	NAME PLATE, Deck Lid, "Road" (23-19-114)		2	---- ---	Spacer
	1	2964 115	NAME PLATE, Deck Lid, "Runner" (23-19-114)	19	1	2811 260-1	MOULDING, Windshield Outside Finish, Side (23-23-65)
	8	9420 263	Nut		6	6002 263	Retainer Screw and Seal
7	1	2964 116	DECAL, Deck Lid, "Bird" (23-19-6)	20	1	2811 888-9	MOULDING, Windshield Outside Finish, Lwr. (23-23-65)
8	1	2840 867	NAME PLATE, Deck Lid, "Hemi" (23-19-114)		10	6001 855	Retainer
	2	9420 236	Nut		10	6023 248	Screw
9	1	3004 390-1	MOULDING PACKAGE, Rear Wdo. Outside, Side and Upr. (23-23-52)	21	1	2811 259	MOULDING, Windshield Outside, Upr. (23-23-65)
	10	6001 084	Retainer and Screw		8	6002 263	Retainer Screw and Seal
10	1	3004 392-3	MOULDING PACKAGE, Rear Wdo. Outside, Lwr. (23-23-52)	22	1	2785 791	NAME PLATE, Hood Front (15-06-3)
	7	6001 084	Retainer and Screw		3	6027 552	Nut
11	1	2932 270-1	MOULDING PACKAGE, Qtr. Outside Belt, use w/Vinyl Roof and Two Tone Paint (23-23-39)	23	2	2949 240	NAME PLATE, Hood Ext. (383) (15-06-3)
	8	6002 558	Retainer		2	2898 876	(Hemi)
12	1	2932 536-7	CAP PACKAGE, Roof Side Drain Trough Mldg. End (23-59-57)		4	9420 254	Nut
	2	6024 564	Screw	24	1	2965 526-7	TAPE, Fender Color Stripe White Reflective (12-15-33)
13	1	2932 234-5	MOULDING PACKAGE, Qtr. Wdo. Outside Belt (23-23-73)		1	2965 528-9	Red
	2	6023 898	Screw	25	1	2785 540	MEDALLION, Fender Side, Pentastar (12-15-21)
	8	6026 552	Nut		1	6026 404	Nut
	8	9414 752	Screw				

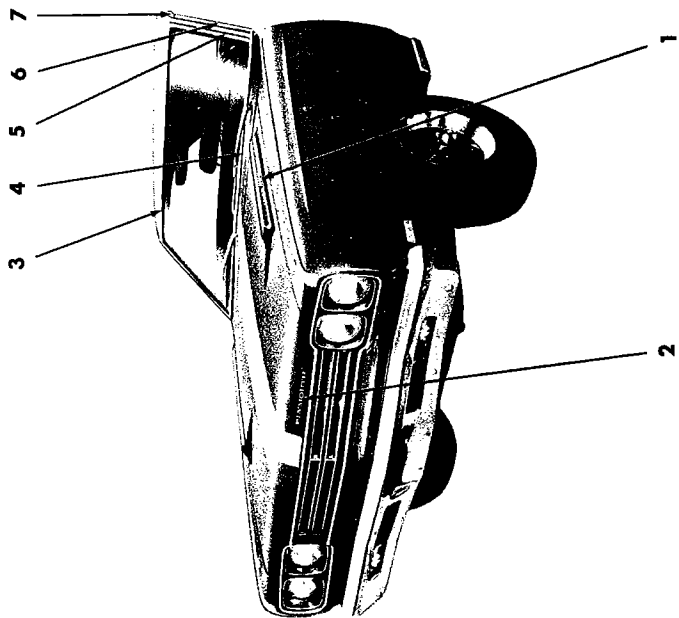
All Packages Include Attaching Parts

Part Type Code is Indicated in Parentheses

EXTERIOR VIEW - BELVEDERE ROAD RUNNER R-M 2 DOOR SEDAN



19a2639



EXTERIOR VIEW - BELVEDERE R-M 2 DOOR HARDTOP (ROAD RUNNER)

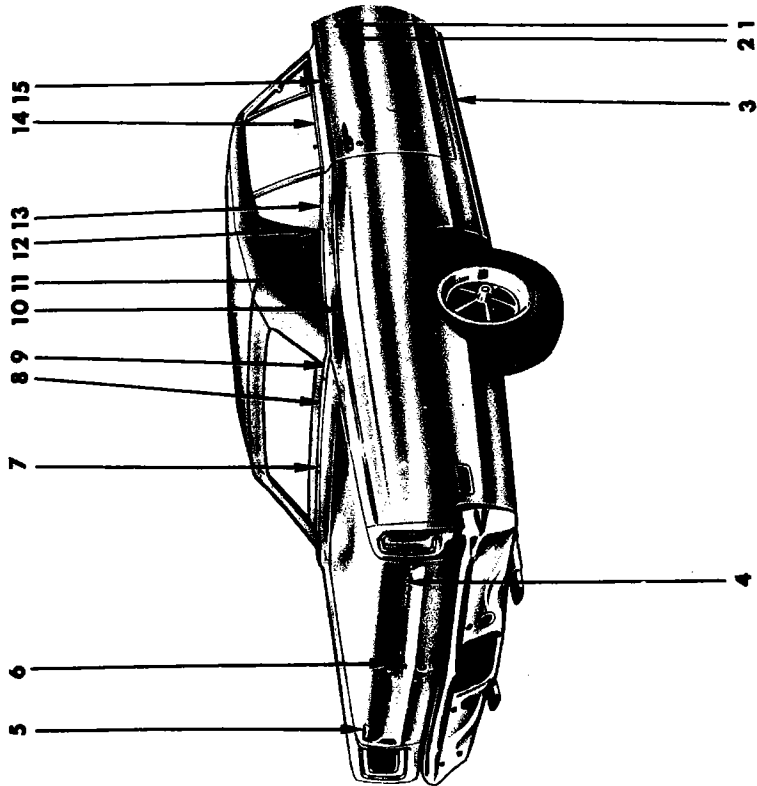
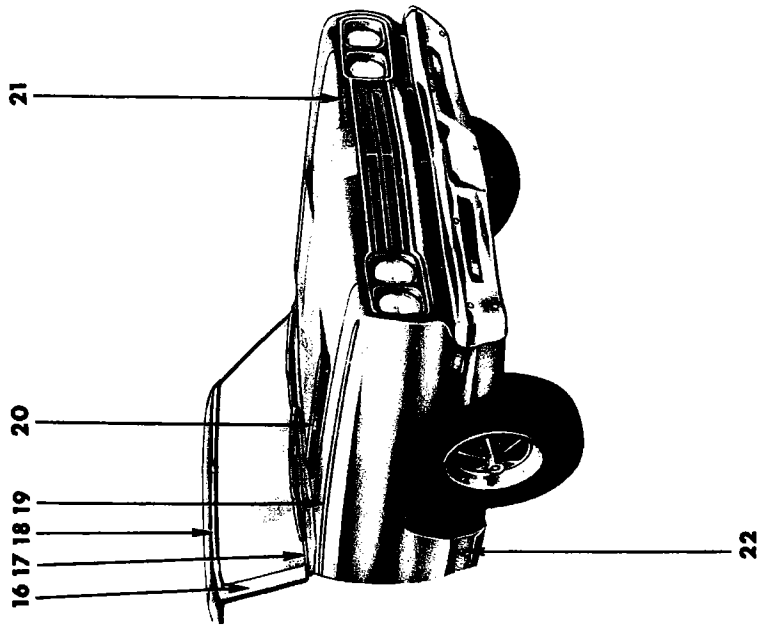
REF. NO.	QTY	PART NUMBER	DESCRIPTION	REF. NO.	QTY	PART NUMBER	DESCRIPTION
1	2	2949 240	NAME PLATE, Hood Extension (383) (15-06-3)	11	1	2932 536-7	CAP PACKAGE, Roof Side Drain Trough Mldg. End (23-59-57)
	4	9420 254	Nut		2	6024 564	Screw
2	1	2785 791	NAME PLATE, Hood Front (Plymouth) (15-06-3)	12	1	2932 270-1	MOULDING PACKAGE, Qtr. Outside Belt, use w/Two Tone Paint and Vinyl Roof (23-23-39)
	3	6027 552	Nut		8	6002 558	Retainer
3	1	2811 259	MOULDING, Windshield Outside, Upr. (23-23-65)	13	1	3004 390-1	MOULDING PACKAGE, Rear Wdo. Outside, Side & Upr. (23-23-52)
	8	6002 263	Retainer Screw & Seal		10	6001 084	Retainer and Screw
4	1	2811 888-9	MOULDING, Windshield Outside Finish, Lwr. (23-23-65)	14	1	3004 392-3	MOULDING PACKAGE, Rear Wdo. Outside, Lwr. (23-23-52)
	10	6001 855	Retainer		7	6001 084	Retainer and Screw
	10	6023 248	Screw	15	1	2964 114	NAME PLATE, Deck Lid, "Road" (23-19-114)
5	1	2811 260-1	MOULDING, Windshield Outside Finish, Side (23-23-65)		2	9420 263	Nut
	6	6002 263	Retainer Screw & Seal	16	1	2964 115	NAME PLATE, Deck Lid, "Runner" (23-19-114)
6	1	2840 280-1	MOULDING, Body Frt. Pillar Drain Trough, w/o Vinyl Roof (23-59-61)		2	9420 263	Nut
	2	-----	Spacer	17	1	2964 116	DECAL, Deck Lid, "Bird" (23-19-6)
	1	2932 512-3	MOULDING PACKAGE, Body Frt. Pillar Drain Trough, w/Vinyl Roof (23-59-61)	18	1	2840 867	NAME PLATE, Deck Lid, "Hemi" (23-19-114)
	2	-----	Spacer		2	9420 263	Nut
7	2	2783 028	COVER, Roof Side Drain Trough Mldg. Joint (23-59-57)	19	1	2932 272-3	MOULDING PACKAGE, Body Side Sill (23-23-2)
8	1	2932 096-7	MOULDING PACKAGE, Door Outside Belt (23-23-32)		18	6002 445	Retainer
	12	6002 549	Retainer		2	6002 577	Retainer
9	1	2840 282-3	MOULDING, Roof Side Drain Trough, w/o Vinyl Roof (23-59-61)	20	2	2964 114	NAME PLATE, Door Outside, "Road" (23-11-21)
	6	-----	Spacer		2	2964 115	NAME PLATE, Door Outside, "Runner" (23-11-21)
	1	2841 504-5	MOULDING, Roof Side Drain Trough, w/Vinyl Roof (23-59-61)		4	9420 263	Nut
	6	-----	Spacer	21	1	2964 112	DECAL, Door Outside, "Bird", Rt. (23-11-15)
10	1	2932 232-3	MOULDING PACKAGE, Qtr. Wdo. Outside Belt (23-23-73)		1	2964 113	DECAL, Door Outside, "Bird", Lt.
	2	6023 898	Screw				
	8	6026 552	J Nut				
	8	9414 752	Screw				

All Packages include Attaching Parts

Part Type Code is Indicated in Parentheses

EXTERIOR VIEW - BELVEDERE R-M 2 DOOR HARDTOP (ROAD RUNNER)

19a2470



EXTERIOR VIEW - BELVEDERE ROAD RUNNER R-M CONVERTIBLE COUPE

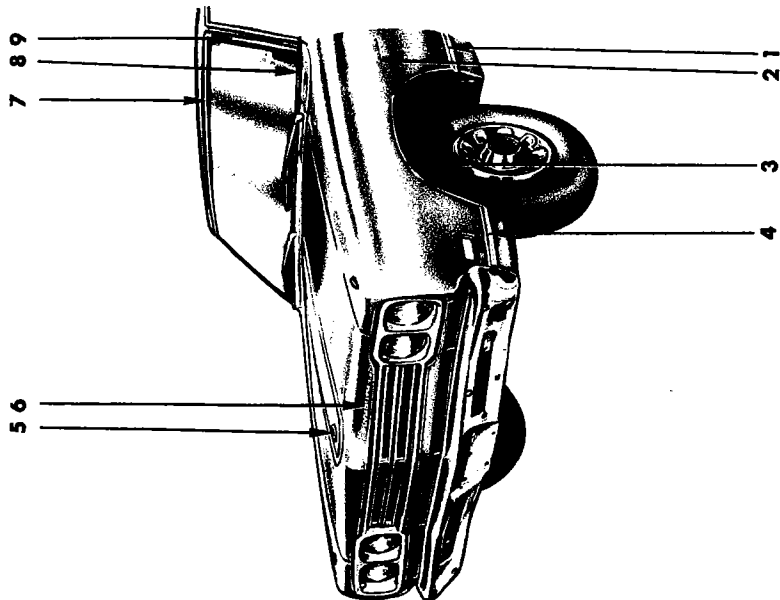
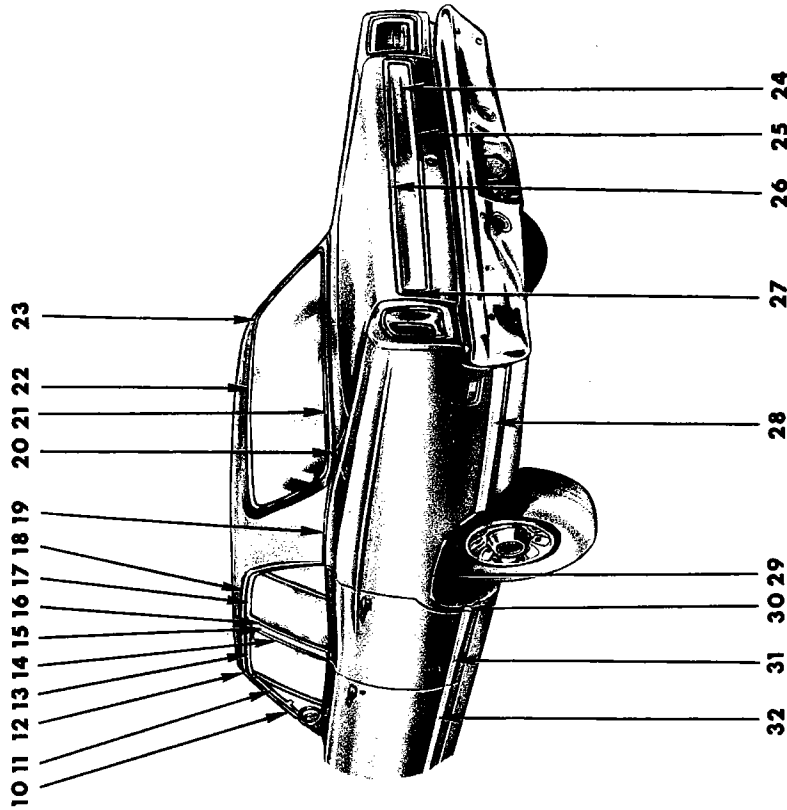
REF. NO.	QTY	PART NUMBER	DESCRIPTION	REF. NO.	QTY	PART NUMBER	DESCRIPTION
1	1	2964 112	DECAL, Door Outside, Bird, Rt. (23-11-15)	12	1	2932 256-7	MOULDING PACKAGE, Qtr. Outside Belt, Interm. (23-23-39)
	1	2964 113	DECAL, Door Outside, Bird, Lt. (23-11-15)		4	6027 282	Screw
2	2	2964 114	NAME PLATE, Door Outside, Road (23-11-21)	13	1	2932 274-5	MOULDING PACKAGE, Qtr. Wdo. Outside Belt, Frt. (23-23-39)
	2	2964 115	NAME PLATE, Door Outside, Runner (23-11-21)		6	6026 552	J-Nut
	8	9420 263	Nut		6	9414 752	Screw
3	1	2932 272-3	MOULDING PACKAGE, Body Side Sill Outside (23-23-2)	14	1	2932 096-7	MOULDING PACKAGE, Door Outside Belt (23-23-32)
	18	6002 445	Retainer		12	6002 549	Retainer
	2	6002 577	Retainer	15	1	2965 530-1	TAPE, Door Color Stripe Reflective, "White" (23-23-12)
4	1	2964 114	NAME PLATE, Deck Lid, Road (23-19-114)		1	2965 532-3	"Red"
	1	2964 115	NAME PLATE, Deck Lid, Runner (23-19-114)	16	1	2586 274-5	MOULDING PACKAGE, Windshield Outside Finish, Side (23-23-65)
	4	9420 263	Nut		8	9415 910	Screw
5	1	2840 867	NAME PLATE, Deck Lid, Hemi (23-19-114)	17	1	2585 852-3	MOULDING PACKAGE, Windshield Outside, Lwr. (23-23-65)
	2	9420 263	Nut		10	6001 855	Retainer and Seal
6	1	2964 116	DECAL, Deck Lid, Bird (23-19-6)		1	6002 242	Retainer, Rt.
7	1	2841 642	COVER, Deck Opng. Upr. Pnl. Mldg. (23-23-41)		1	6002 243	Retainer, Lt.
8	2	2932 089	MOULDING PACKAGE, Deck Opng. Upr. Pnl. (23-23-31)		10	6023 248	Screw
	4	6002 497	Retainer		2	9418 246	Screw
	4	9416 049	Screw	18	1	2586 272-3	MOULDING PACKAGE, Windshield Outside, Upr. (23-23-65)
9	1	2932 186-7	MOULDING PACKAGE, Qtr. Outside Belt Rear Corner (23-23-39)		8	6026 220	Screw
	6	-----	Screw	19	1	2965 526-7	TAPE, Fender Color Stripe Reflective, White (12-15-33)
10	1	2965 534-5	TAPE, Qtr. Pnl. Color Stripe Reflective, "White" (23-23-12)		1	2965 528-9	Red
	1	2965 536-7	"Red"	20	2	2949 240	NAME PLATE, Hood Extension (383) (15-06-3)
11	1	2932 254-5	MOULDING PACKAGE, Qtr. Outside Belt, Rr. (23-23-39)		2	2898 876	(Hemi)
	8	6002 497	Retainer		4	9420 254	Nut
	8	9416 049	Screw	21	1	2785 791	NAME PLATE, Hood Front (15-06-3)
					3	6027 552	Nut
				22	1	2785 540	MEDALLION, Fender Side (Pentastar) (12-15-21)
					1	6026 404	Nut

All Packages Include Attaching Parts

Part Type Code is Indicated in Parentheses

EXTERIOR VIEW - BELVEDERE ROAD RUNNER R-M CONVERTIBLE COUPE

19a2544



EXTERIOR VIEW - BELVEDERE SATELLITE R-H 4 DOOR SEDAN

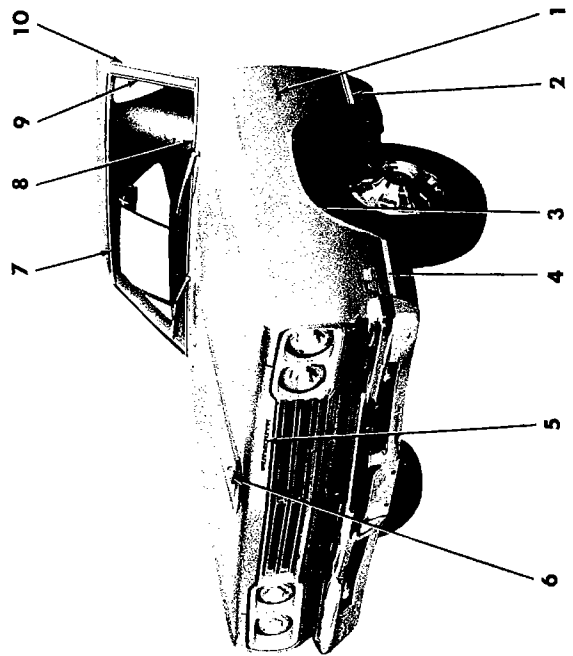
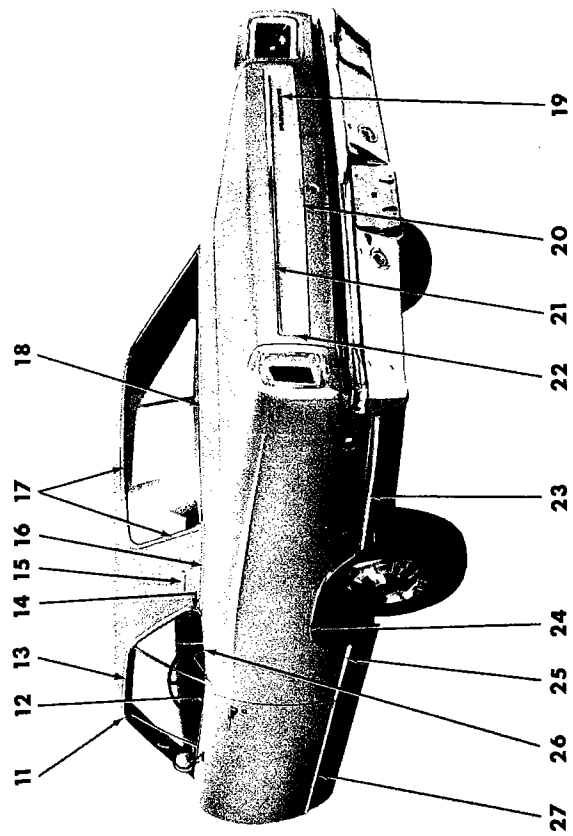
REF. NO.	QTY	PART NUMBER	DESCRIPTION
1	1	2933 562-3	MOULDING PACKAGE, Fender Side Rear (12-15-2)
	1	6026 523	Nut
	1	6002 722	Retainer
	1	6002 736	Retainer
	1	6024 271	Screw
2	2	2902 789	NAME PLATE, Fender Side (12-15-21)
	4	6027 352	Nut
3	1	2933 558-9	MOULDING PACKAGE, Fender Wheel Opening (12-15-2)
	12	6027 413	Screw
4	1	2933 556-7	MOULDING PACKAGE, Fender Side Front (12-15-2)
	4	6026 523	Nut
	4	6002 722	Retainer
5	1	2785 861	ORNAMENT, Hood Top (318) (15-03-18)
	1	2785 865	(383-2 Barrel)
	1	2785 862	(383-4 Barrel)
	1	9420 253	Nut
6	1	2785 791	NAME PLATE, Hood Front (15-06-3)
	3	6027 552	Nut
7	1	2584 699	MOULDING PACKAGE, Windshield Outside, Upr. (23-23-65)
	8	6002 263	Retainer Screw and Seal
8	1	2585 852-3	MOULDING PACKAGE, Windshield Outside, Lwr. (23-23-65)
	10	6001 855	Retainer and Seal
	1	6002 242	Retainer, Rt.
	1	6002 243	Retainer, Lt.
	10	6023 248	Screw
	2	9418 246	Screw
9	1	2585 850-1	MOULDING PACKAGE, Windshield Outside Finish, Side (23-23-65)
	6	6002 263	Retainer Screw and Seal
10	1	2840 274-5	MOULDING, Body Frt. Pillar Drain Trough, w/o Vinyl Roof (23-59-61)
	2	-----	Spacer
	1	2932 514-5	MOULDING PACKAGE, Body Frt. Pillar Drain Trough, w/Vinyl Roof (23-59-61)
	2	-----	Spacer
11	1	2570 750-1	MOULDING, Frt. Door Wdo. Opng. Frame, Frt. (23-23-32)
12	2	2783 028	COVER, Roof Side Drain Trough Mldg. Joint (23-59-57)
13	1	2570 752-3	MOULDING, Frt. Door Wdo. Opng. Frame, Upr. (23-23-32)
14	1	2570 754-5	MOULDING, Frt. Door Wdo. Opng. Frame, Rear (23-23-32)
15	1	2860 636-7	PANEL, Body Ctr. Pillar Outside Finish (23-23-16)
	8	6024 271	Screw
16	1	2570 914-5	MOULDING, Rear Door Wdo. Opng. Frame, Frt. (23-23-33)
17	1	2811 438-9	MOULDING, Rear Door Wdo. Opng. Frame, Upr. (23-23-33)
18	1	2840 276-7	MOULDING, Roof Side Drain Trough, w/o Vinyl Roof (23-59-61)
	6	-----	Spacer

REF. NO.	QTY	PART NUMBER	DESCRIPTION
18	1	2841 508-9	MOULDING, Roof Side Drain Trough, w/Vinyl Roof (23-59-61)
Cont'd	6	-----	Spacer
19	1	2932 252-3	MOULDING PACKAGE, Qtr. Outside Belt, use w/Vinyl Roof and Two Tone Paint (23-23-39)
	6	6002 338	Retainer
	2	6002 558	Retainer and Seal
	6	9420 867	Nut
20	1	2932 231	MOULDING PACKAGE, Deck Opng. Upr. Pnl., use w/Vinyl Roof and Two Tone Paint (23-23-31)
	6	6002 557	Retainer
21	1	3004 386-7	MOULDING PACKAGE, Rear Wdo. Outside, Lwr. and Side (23-23-52)
	10	6001 084	Retainer and Seal
22	1	3004 388	MOULDING PACKAGE, Rear Wdo. Outside, Upr. (23-23-52)
	4	6001 084	Retainer and Screw
23	1	3004 384-5	MOULDING PACKAGE, Rear Wdo. Outside Upr. Corner (23-23-52)
	4	6001 084	Retainer and Screw
24	1	2785 791	NAME PLATE, Deck Lid, "Plymouth" (23-19-114)
	3	6000 960	Clip
25	1	2933 451	MOULDING PACKAGE, Deck Lid Lwr. (23-23-30)
	6	6001 910	Retainer and Seal
26	1	2933 564	MOULDING PACKAGE, Deck Lid Upr. (23-23-30)
	6	6001 910	Retainer
27	1	2933 916	MOULDING PACKAGE, Deck Lid, Upr. and Lwr. End., Rt. (23-23-30)
	1	2933 917	MOULDING PACKAGE, Deck Lid, Upr. and Lwr. End., Lt.
	2	6002 731	Retainer
28	1	2933 866-7	MOULDING PACKAGE, Qtr. Outside, Rear (23-23-39)
	10	6002 737	Retainer
	10	6024 271	Screw
	2	6026 760	Screw
29	1	3419 036-7	MOULDING PACKAGE, Qtr. Outside Whl. Opng. (23-23-39)
	10	6024 271	Screw
30	1	2933 864-5	MOULDING PACKAGE, Qtr. Outside, Frt. (23-23-39)
	2	6002 722	Retainer
	2	6002 756	Retainer
	4	6026 523	Nut
31	1	2933 860-1	MOULDING PACKAGE, Rear Door Outside (23-23-33)
	4	6002 722	Retainer
	4	6002 756	Retainer
	8	6026 523	Nut
32	1	2933 856-7	MOULDING PACKAGE, Frt. Door Outside (23-23-32)
	4	6002 722	Retainer
	8	6002 736	Retainer
	8	6024 271	Screw
	4	6026 523	Nut

All Packages Include Attaching Parts

Part Type Code is Indicated in Parentheses

EXTERIOR VIEW - BELVEDERE SATELLITE R-H 4 DOOR SEDAN



19a2640

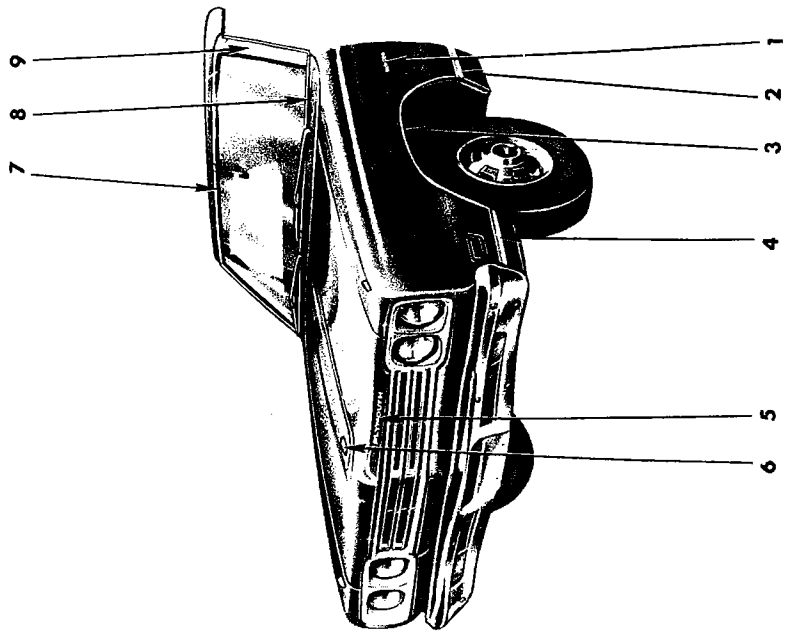
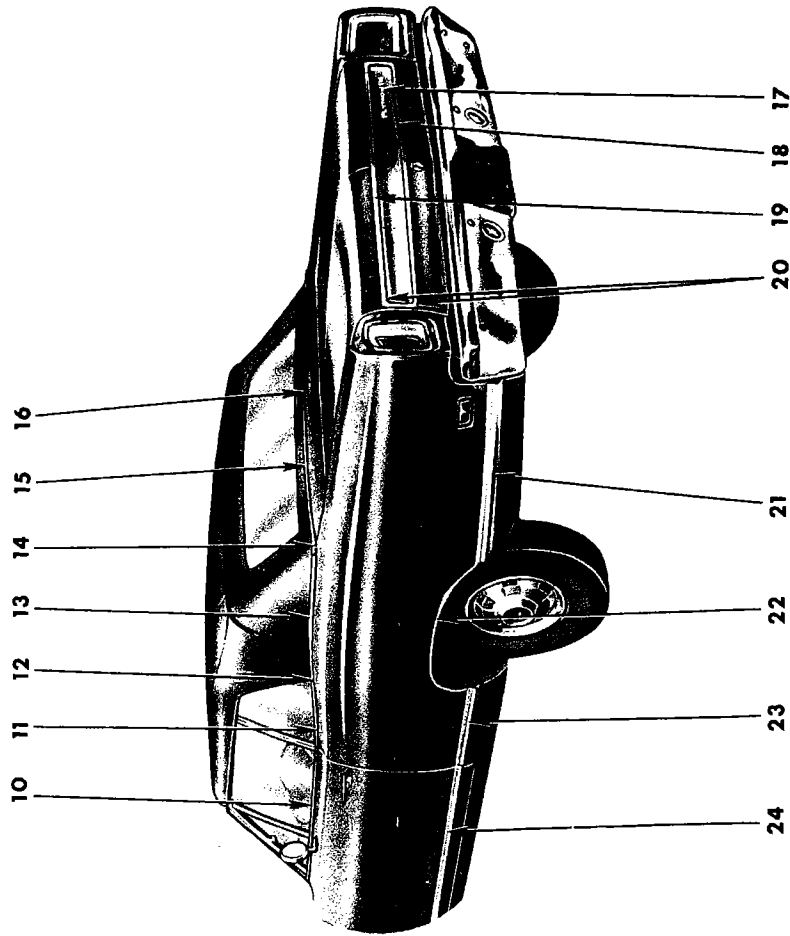
EXTERIOR VIEW - BELVEDERE SATELLITE R-H 2 DOOR HARDTOP

REF. NO.	QTY	PART NUMBER	DESCRIPTION	REF. NO.	QTY	PART NUMBER	DESCRIPTION
1	2	2902 789	NAME PLATE, Fender Side (Satellite) (12-15-21)	15	2	2965 769	NAME PLATE, Roof Side "Mod Top" (w/Vinyl Roof) (23-34-238)
	4	6027 352	Nut		4	9420 263	Nut
2	1	2933 562-3	MOULDING PACKAGE, Fender Side Rear (12-15-2)	16	1	2932 270-1	MOULDING PACKAGE, Qtr. Outside Belt, use w/Two Tone Paint and Vinyl Roof (23-23-39)
	1	6026 523	Nut		8	6002 558	Retainer
	1	6002 722	Retainer	17	1	3004 390-1	MOULDING PACKAGE, Rear Wdo. Outside, Side & Up. (23-23-52)
	1	6002 736	Retainer		10	6001 084	Retainer and Screw
	1	6024 271	Screw	18	1	3004 392-3	MOULDING PACKAGE, Rear Wdo. Outside, Lwr. (23-23-52)
3	1	2933 558-9	MOULDING PACKAGE, Fender Wheel Opening (12-15-2)	19	1	2785 791	NAME PLATE, Deck Lid, "Plymouth" (23-19-114)
	12	6027 413	Screw		3	6000 960	Clip
4	1	2933 556-7	MOULDING PACKAGE, Fender Side Front (12-15-2)	20	1	2933 451	MOULDING PACKAGE, Deck Lid, Lwr. (23-23-30)
	4	6026 523	Nut		6	6001 910	Retainer and Seal
	4	6002 722	Retainer	21	1	2933 564	MOULDING PACKAGE, Deck Lid, Up. (23-23-30)
5	1	2785 791	NAME PLATE, Hood Front (Plymouth) (15-06-3)		6	6001 910	Retainer and Seal
	3	6027 552	Nut	22	1	2933 917	MOULDING PACKAGE, Deck Lid, Up. & Lwr. End, Lt. (23-23-30)
6	1	2785 861	ORNAMENT, Hood Top (318) (15-03-18)		1	2933 916	MOULDING PACKAGE, Deck Lid, Up. & Lwr. End, Rt. (23-23-30)
	1	2785 865	(383-2 Barrel)		2	6002 731	Retainer
	1	2785 862	(383-4 Barrel)	23	1	2933 866-7	MOULDING PACKAGE, Qtr. Outside, Rear (23-23-39)
	1	9420 253	Nut		10	6002 737	Retainer
7	1	2811 259	MOULDING, Windshield Outside, Up. (23-23-65)		10	6024 271	Screw
	8	6002 263	Retainer Screw & Seal		2	6026 760	Screw
8	1	2811 888-9	MOULDING, Windshield Outside Finish, Lwr. (23-23-65)	24	1	3419 036-7	MOULDING PACKAGE, Qtr. Outside Whl. Opng. (23-23-39)
	10	6001 855	Retainer		10	6024 271	Screw
	10	6023 248	Screw	25	1	2933 862-3	MOULDING PACKAGE, Qtr. Outside, Frt. (23-23-39)
9	1	2811 260-1	MOULDING, Windshield Outside Finish, Side (23-23-65)		2	6002 722	Retainer
	6	6002 263	Retainer Screw & Seal		2	6002 756	Retainer
10	1	2840 280-1	MOULDING, Body Front Pillar Drain Trough, w/o Vinyl Roof (23-59-61)		2	6002 758	Retainer
	2	-----	Spacer		6	6026 523	Nut
	1	2932 512-3	MOULDING PACKAGE, Body Frt. Pillar Drain Trough, w/Vinyl Roof (23-59-61)		2	9420 866	Nut
	2	-----	Spacer	26	1	2932 232-3	MOULDING PACKAGE, Qtr. Wdo. Outside Belt (23-23-73)
11	2	2783 028	COVER, Roof Side Drain Trough Mldg. Joint (23-59-57)		2	6023 898	Screw
	2	2783 028	COVER, Roof Side Drain Trough Mldg. Joint (23-59-57)		8	6026 552	J Nut
12	1	2932 096-7	MOULDING PACKAGE, Door Outside Belt (23-23-32)		8	9414 752	Screw
	12	6002 549	Retainer	27	1	2933 854-5	MOULDING PACKAGE, Door Outside (23-23-32)
13	1	2840 282-3	MOULDING, Roof Side Drain Trough, w/o Vinyl Roof (23-59-61)		16	6002 418	Retainer
	6	-----	Spacer		2	6002 456	Retainer
	1	2841 504-5	MOULDING, Roof Side Drain Trough, w/Vinyl Roof (23-59-61)		4	6002 722	Retainer
	6	-----	Spacer		2	6026 404	Nut
14	1	2932 536-7	CAP PACKAGE, Roof Side Drain Trough Mldg. End (23-59-57)		4	6026 523	Nut
	2	6024 564	Screw				

All Packages Include Attaching Parts

Part Type Code is Indicated in Parentheses

EXTERIOR VIEW - BELVEDERE SATELLITE R-H 2 DOOR HARDTOP



19a2704

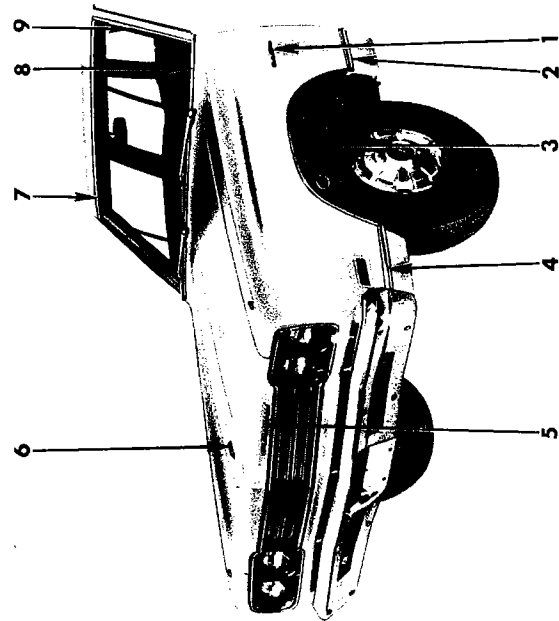
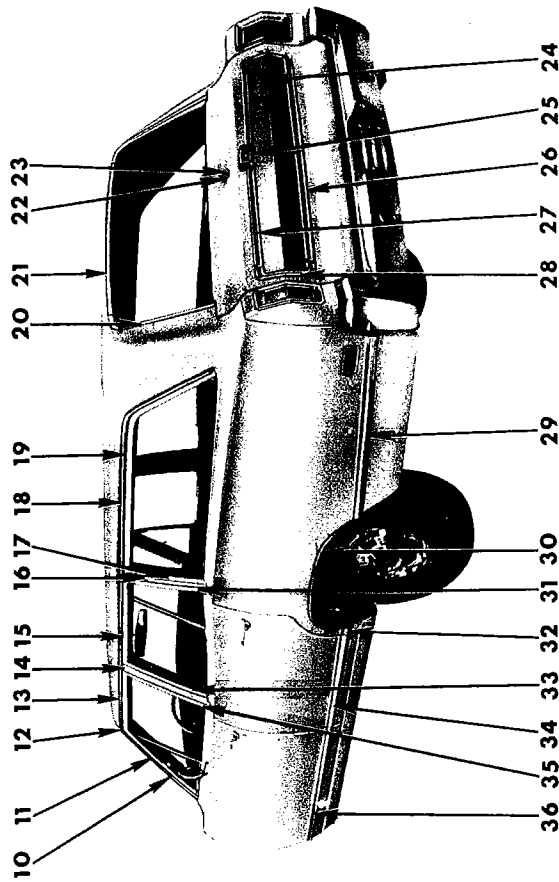
EXTERIOR VIEW - BELVEDERE SATELLITE R-H CONVERTIBLE COUPE

REF. NO.	QTY	PART NUMBER	DESCRIPTION	REF. NO.	QTY	PART NUMBER	DESCRIPTION
1	2	2902 789	NAME PLATE, Fender Side (Satellite) (12-15-21)	14	1	2932 186-7	MOULDING PACKAGE, Qtr. Outside Belt, Rear Corner (23-23-39)
	4	6027 352	Nut		6	9415 938	Screw
2	1	2933 562-3	MOULDING PACKAGE, Fender Side Rear (12-15-2)	15	2	2932 089	MOULDING PACKAGE, Deck Opng. Upr. Pnl. (23-23-31)
	1	6026 523	Nut		4	6002 497	Retainer
	1	6002 722	Retainer		4	9416 049	Screw
	1	6002 736	Retainer	16	1	2841 642	COVER, Deck Opng. Upr. Pnl. Mldg. (23-23-41)
	1	6024 271	Screw	17	1	2785 791	NAME PLATE, Deck Lid, "Plymouth" (23-19-114)
3	1	2933 558-9	MOULDING PACKAGE, Fender Wheel Opening (12-15-2)		3	6000 960	Clip
	12	6027 413	Screw	18	1	2933 451	MOULDING PACKAGE, Deck Lid Lwr. (23-23-30)
4	1	2933 556-7	MOULDING PACKAGE, Fender Side Front (12-15-2)		6	6001 910	Retainer & Seal
	4	6026 523	Nut	19	1	2933 564	MOULDING PACKAGE, Deck Lid Upr. (23-23-30)
	4	6002 722	Retainer		6	6001 910	Retainer & Seal
5	1	2785 791	NAME PLATE, Hood Front (15-06-3)	20	1	2933 916	MOULDING PACKAGE, Deck Lid Upr. & Lwr. End., Rt. (23-23-30)
	3	6027 552	Nut		2	6002 731	Retainer
6	1	2785 861	ORNAMENT, Hood Top (318) (15-03-18)		1	2933 917	MOULDING PACKAGE, Deck Lid Upr. & Lwr. End., Lt.
	1	2785 865	(383-2 Barrel)	21	2	6002 731	Retainer
	1	2785 862	(383-4 Barrel)		1	2933 866-7	MOULDING PACKAGE, Qtr. Outside, Rear (23-23-39)
	1	9420 253	Nut		10	6002 737	Retainer
7	1	2586 272-3	MOULDING PACKAGE, Windshield Outside, Upr. (23-23-65)		10	6024 271	Screw
	8	6026 220	Screw		2	6026 760	Screw
8	1	2585 852-3	MOULDING PACKAGE, Windshield Outside, Lwr. (23-23-65)	22	1	3419 036-7	MOULDING PACKAGE, Qtr. Outside Whl. Opng. (23-23-39)
	10	6001 855	Retainer & Seal		10	6024 271	Screw
	1	6002 242	Retainer, Rt.	23	1	2933 862-3	MOULDING PACKAGE, Qtr. Outside, Frt. (23-23-39)
	1	6002 243	Retainer, Lt.		2	6002 722	Retainer
	10	6023 248	Screw		2	6002 756	Retainer
	2	9418 246	Screw		2	6002 758	Retainer
9	1	2586 274-5	MOULDING PACKAGE, Windshield Outside, Side (23-23-65)		6	6026 523	Nut
	8	9415 910	Screw		2	9420 866	Nut
10	1	2932 096-7	MOULDING PACKAGE, Door Outside Belt (23-23-32)	24	1	2933 854-5	MOULDING PACKAGE, Door Outside (23-23-32)
	12	6002 549	Retainer		16	6002 418	Retainer
11	1	2932 274-5	MOULDING PACKAGE, Qtr. Wdo. Outside Belt, Frt. (23-23-39)		2	6002 456	Retainer
	6	6026 552	J-Nut		4	6002 722	Retainer
	6	9414 752	Screw		2	6026 404	Nut
12	1	2932 256-7	MOULDING PACKAGE, Qtr. Outside Belt, Interm. (23-23-39)		4	6026 523	Nut
	4	6027 282	Screw				
13	1	2932 254-5	MOULDING PACKAGE, Qtr. Outside Belt, Rr. (23-23-39)				
	8	6002 497	Retainer				
	8	9416 049	Screw				

All Packages Include Attaching Parts

Part Type Code is Indicated in Parentheses

EXTERIOR VIEW - BELVEDERE SATELLITE R-H CONVERTIBLE COUPE



19,2580

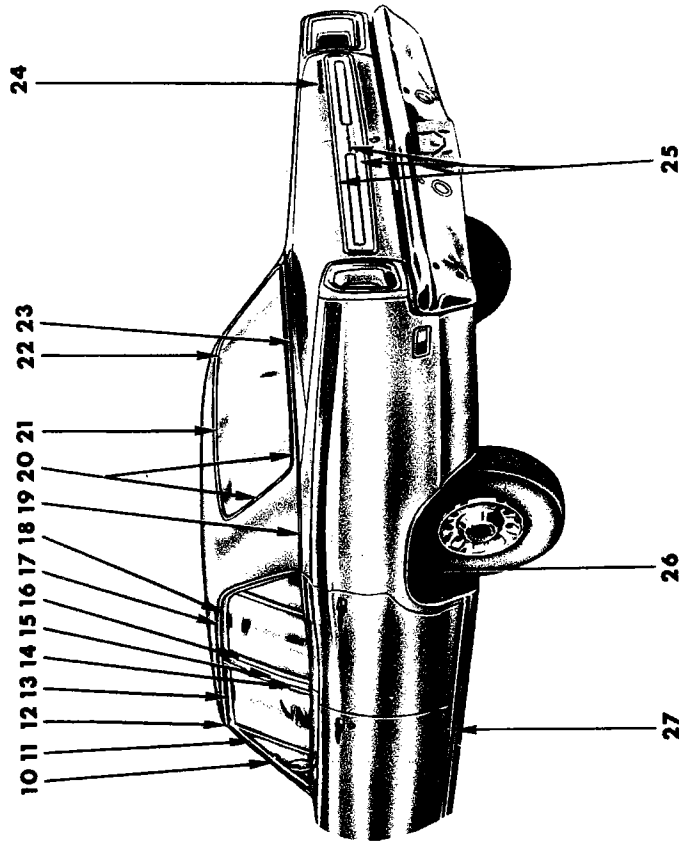
EXTERIOR VIEW - BELVEDERE SATELLITE R-H STATION WAGON

REF. NO.	QTY	PART NUMBER	DESCRIPTION	REF. NO.	QTY	PART NUMBER	DESCRIPTION
1	2	2902 789	NAME PLATE, Fender Side (Satellite) (12-15-21)	20	1	3004 382-3	MOULDING PACKAGE, Qtr. Pnl. Tailgate Upr. Pillar Comp. (23-23-60)
	4	6027 352	Nut		2	6024 564	Screw
2	1	2933 562-3	MOULDING PACKAGE, Fender Side Rear (12-15-2)	21	1	2573 303	MOULDING, Roof Rr. Tailgate Opng. (23-23-60)
	1	6026 523	Nut	22	1	#2983 069	BEZEL, Tailgate Wdo. Washer Reservoir Filler (23-67-243)
	1	6002 722	Retainer	23	1	#3431 009	CAP, Tailgate Wdo. Washer Reservoir Filler Bezel (23-67-241)
	1	6002 736	Retainer	24	1	2785 791	NAME PLATE, Tailgate Outside Pnl., "Plymouth" (23-54-11)
	1	6024 271	Screw		3	6027 553	Nut
3	1	2933 558-9	MOULDING PACKAGE, Fender Wheel Opening (12-15-2)	25	1	2862 816	ORNAMENT, Tailgate Electric Wdo. Regulator Outside (23-54-11)
	12	6027 413	Screw		2	6024 291	Nut w/Washer
4	1	2933 556-7	MOULDING PACKAGE, Fender Side Front (12-15-2)	26	1	2933 473	MOULDING PACKAGE, Tailgate Outside, Lwr. (23-23-61)
	4	6026 523	Nut		2	6023 895	Screw
	4	6002 722	Retainer	27	1	2933 474-5	MOULDING PACKAGE, Tailgate Outside, Upr. (23-23-61)
5	1	2785 791	NAME PLATE, Hood Front (15-06-3)		2	6002 619	Retainer
	3	6027 552	Nut	10	6002 624	Retainer	
6	1	2785 861	ORNAMENT, Hood Top (318) (15-03-18)	2	441 239	Nut	
	1	2785 865	(383-2 Barrel)	28	1	2933 476-7	MOULDING PACKAGE, Tailgate Upr. and Lwr. End (23-23-61)
	1	2785 862	(383-4 Barrel)		2	6027 639	Nut
	1	9420 253	Nut	29	1	2933 868-9	MOULDING PACKAGE, Qtr. Outside, Rr. (23-23-39)
7	1	2584 699	MOULDING PACKAGE, Windshield Outside, Upr. (23-23-65)	12	6002 738	Retainer	
	8	6002 263	Retainer Screw & Seal	12	6024 271	Screw	
8	1	2585 852-3	MOULDING PACKAGE, Windshield Outside, Lwr. (23-23-65)	2	6026 760	Screw	
	10	6001 855	Retainer & Seal	30	1	3419 040-1	MOULDING PACKAGE, Qtr. Outside Whl. Opng. (23-23-39)
	1	6002 242	Retainer, Rt.	10	6024 271	Screw	
	1	6002 243	Retainer, Lt.	31	1	2811 446-7	MOULDING, Rr. Door Wdo. Opng. Frame, Rr. (23-23-33)
	10	6023 248	Screw	32	1	2933 864-5	MOULDING PACKAGE, Qtr. Outside, Frt. (23-23-39)
	2	9418 246	Screw		2	6002 722	Retainer
9	1	2585 850-1	MOULDING PACKAGE, Windshield Outside Finish, Side (23-23-65)		2	6002 756	Retainer
	6	6002 263	Retainer Screw & Seal	4	6026 523	Nut	
10	1	2605 854-5	MOULDING, Body Frt. Pillar Drain Trough (23-59-61)	33	1	2570 914-5	MOULDING, Rr. Door Wdo. Opng. Frame, Frt. (23-23-33)
	2	----	Spacer	34	1	2933 860-1	MOULDING PACKAGE, Rr. Door Outside (23-23-33)
11	1	2570 750-1	MOULDING, Frt. Door Wdo. Opng. Frame, Frt. (23-23-32)		4	6002 722	Retainer
12	2	2605 208	COVER, Roof Side Drain Trough (23-59-57)		4	6002 756	Retainer
13	1	2570 752-3	MOULDING, Frt. Door Wdo. Opng. Frame, Upr. (23-23-32)		8	6026 523	Nut
14	1	2860 636-7	PANEL, Body Ctr. Pillar Outside Finish (23-23-16)	35	1	2570 754-5	MOULDING, Frt. Door Wdo. Opng. Frame, Rr. (23-23-32)
	8	6024 271	Screw	36	1	2933 856-7	MOULDING PACKAGE, Frt. Door Outside (23-23-32)
15	1	2588 466-7	MOULDING, Rr. Door Wdo. Opng. Frame, Upr. (23-23-33)		4	6002 722	Retainer
16	1	2860 638-9	MOULDING, Qtr. Pnl. Rr. Door Lock Pillar, Upr. (23-23-16)		4	6002 756	Retainer
17	1	2860 868-9	MOULDING, Qtr. Wdo. Outside, Frt., S/Steel (23-23-73)		8	6026 523	Nut
18	1	2840 278-9	MOULDING, Roof Side Drain Trough (23-59-61)		8	2570 754-5	MOULDING, Frt. Door Wdo. Opng. Frame, Rr. (23-23-32)
	6	----	Spacer		8	6002 722	Retainer
19	1	2860 866-7	MOULDING, Qtr. Wdo. Outside, Upr., S/Steel (23-23-73)		8	6002 736	Retainer
					8	6024 271	Screw
					4	6026 523	Nut

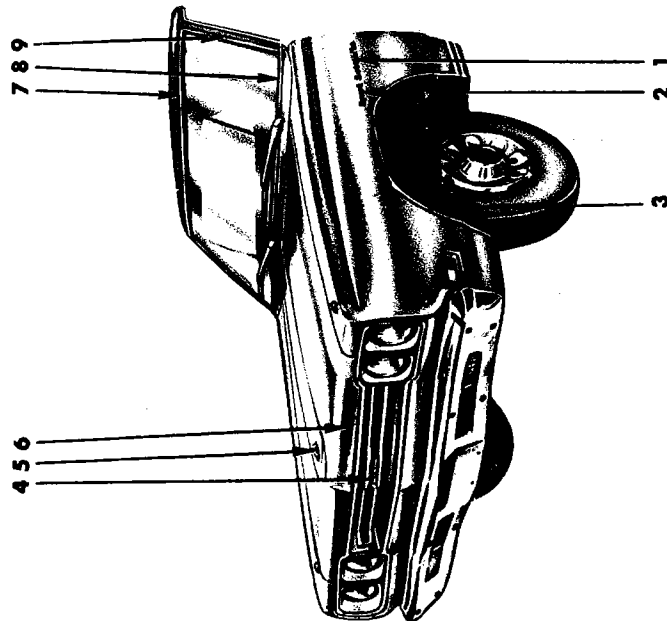
All Packages Include Attaching Parts

Part Type Code is Indicated in Parentheses

EXTERIOR VIEW - BELVEDERE SATELLITE R-H STATION WAGON



19a2596



EXTERIOR VIEW - BELVEDERE SPORT SATELLITE R-P 4 DOOR SEDAN

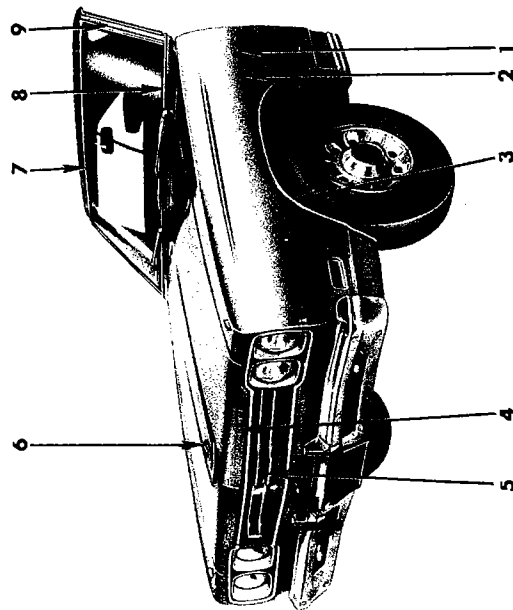
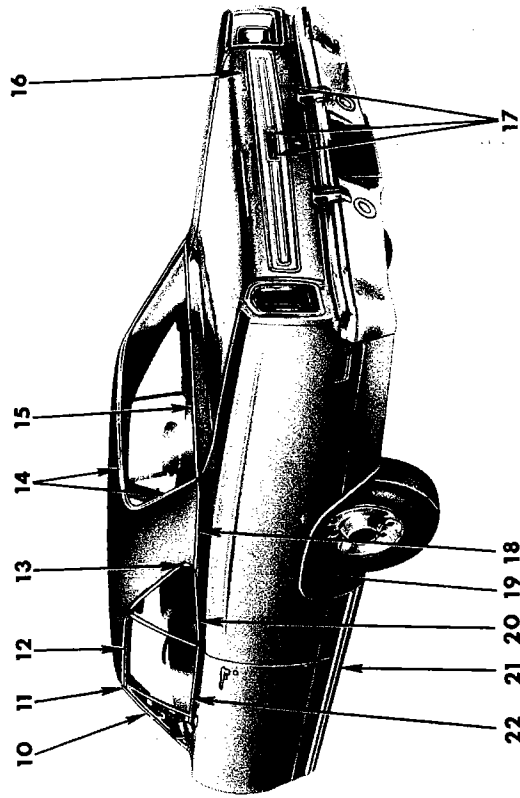
REF. NO.	QTY	PART NUMBER	DESCRIPTION
1	2	2902 789	NAME PLATE, Fender Side (Satellite) (12-15-21)
	4	6027 352	Nut
2	2	2902 788	NAME PLATE, Fender Side (Sport) (12-15-21)
	4	6027 352	Nut
3	1	2933 560-1	MOULDING PACKAGE, Fender Wheel Opening (12-15-2)
	8	6024 271	Screw
4	1	2898 302	NAME PLATE, Radiator Grille (7-16-61)
	2	9420 620	Nut
5	1	2785 861	ORNAMENT, Hood Top (318) (15-03-18)
	1	2785 865	(383-2 Barrel)
	1	2785 862	(383-4 Barrel)
	1	9420 253	Nut
6	1	2785 791	NAME PLATE, Hood Front (15-06-3)
	3	6027 552	Nut
7	1	2584 699	MOULDING PACKAGE, Windshield Outside, Upr. (23-23-65)
	8	6002 263	Retainer Screw & Seal
8	1	2585 852-3	MOULDING PACKAGE, Windshield Outside, Lwr. (23-23-65)
	10	6001 855	Retainer and Seal
	1	6002 242	Retainer, Rt.
	1	6002 243	Retainer, Lt.
	10	6023 248	Screw
	2	9418 246	Screw
9	1	2585 850-1	MOULDING PACKAGE, Windshield Outside, Side (23-23-65)
	6	6002 263	Retainer Screw & Seal
10	1	2840 274-5	MOULDING, Body Frt. Pillar Drain Trough, w/o Vinyl Roof (23-59-61)
	2	-----	Spacer
	1	2932 514-5	MOULDING PACKAGE, Body Frt. Pillar Drain Trough, w/Vinyl Roof (23-59-61)
	2	-----	Spacer
11	1	2570 750-1	MOULDING, Frt. Door Wdo. Opng. Frame, Frt. (23-23-32)
12	2	2783 028	COVER, Roof Side Drain Trough Mldg. Joint (23-59-57)
13	1	2570 752-3	MOULDING, Frt. Door Wdo. Opng. Frame, Upr. (23-23-32)
14	1	2570 754-5	MOULDING, Frt. Door Wdo. Opng. Frame, Rr. (23-23-32)
15	1	2860 636-7	PANEL, Body Ctr. Pillar Outside Finish (23-23-16)
	8	6024 271	Screw

All Packages Include Attaching Parts

REF. NO.	QTY	PART NUMBER	DESCRIPTION
16	1	2570 914-5	MOULDING, Rear Door Wdo. Opng. Frame, Frt. (23-23-33)
17	1	2840 276-7	MOULDING, Roof Side Drain Trough, w/o Vinyl Roof (23-59-61)
	6	-----	Spacer
	1	2841 508-9	MOULDING, Roof Side Drain Trough, w/Vinyl Roof (23-59-61)
	6	-----	Spacer
18	1	2811 438-9	MOULDING, Rear Door Wdo. Opng. Frame, Upr. (23-23-33)
19	1	2932 252-3	MOULDING PACKAGE, Qtr. Outside Belt, use w/Vinyl Roof and Two Tone Paint (23-23-39)
	6	6002 338	Retainer
	2	6002 558	Retainer and Seal
	6	9420 867	Nut
20	1	3004 386-7	MOULDING PACKAGE, Rear Wdo. Outside, Lwr. & Side (23-23-52)
	10	6001 084	Retainer and Screw
21	1	3004 388	MOULDING PACKAGE, Rear Wdo. Outside, Upr. (23-23-52)
	4	6001 084	Retainer and Screw
22	1	3004 384-5	MOULDING PACKAGE, Rear Wdo. Outside, Upr. Corner (23-23-52)
	4	6001 084	Retainer and Screw
23	1	2932 231	MOULDING PACKAGE, Deck Opng. Upr. Pnl., use w/Vinyl Roof and Two Tone Paint (23-23-31)
	6	6002 557	Retainer
24	1	2785 791	NAME PLATE, Deck Lid, "Plymouth" (23-19-114)
	3	6000 960	Clip
25	1	2902 910	PANEL, Deck Lid Finish (23-23-30)
	6	9420 278	Nut
26	1	3419 038-9	MOULDING PACKAGE, Qtr. Outside Wheel Opng. (23-23-39)
	14	6024 271	Screw
27	1	2933 858-9	MOULDING PACKAGE, Body Side Sill (23-23-2)
	2	6002 443	Retainer
	18	6002 711	Retainer
	2	6026 523	Nut

Part Type Code is Indicated in Parentheses

EXTERIOR VIEW - BELVEDERE SPORT SATELLITE R-P 4 DOOR SEDAN



19a2471

EXTERIOR VIEW - BELVEDERE SPORT SATELLITE R-P 2 DOOR HARDTOP

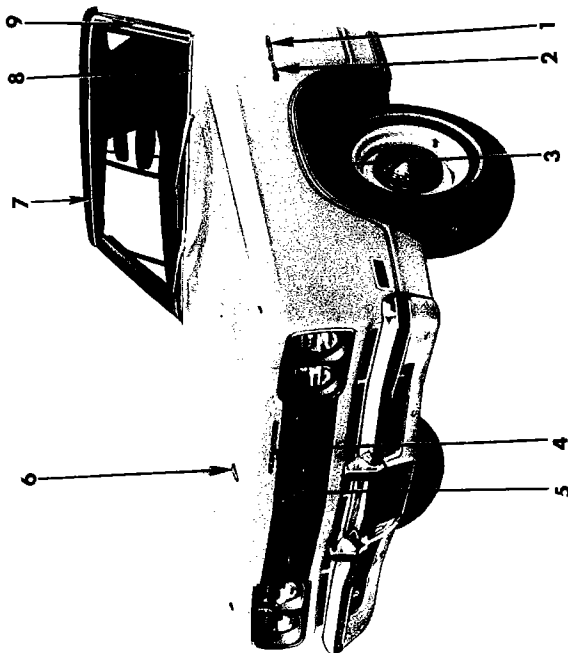
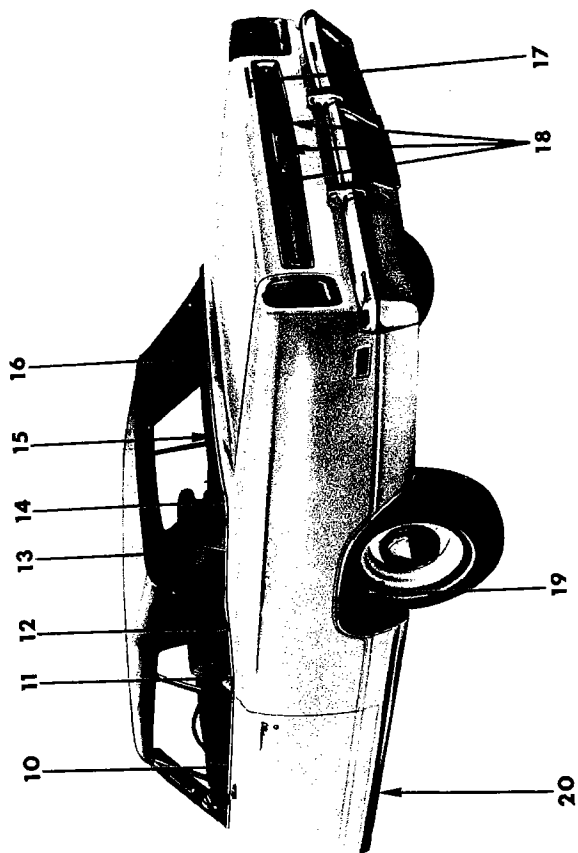
REF. NO.	QTY	PART NUMBER	DESCRIPTION
1	2	2902 789	NAME PLATE, Fender Side (12-15-21)
	4	6027 352	Nut
2	2	2902 788	NAME PLATE, Fender Side (12-15-21)
	4	6027 352	Nut
3	1	2933 560-1	MOULDING PACKAGE, Fender Wheel Opening (12-15-2)
	8	6024 271	Screw
4	1	2785 791	NAME PLATE, Hood Front (15-06-3)
	3	6027 552	Nut
5	1	2898 302	NAME PLATE, Radiator Grille (7-16-61)
	2	9420 620	Nut
6	1	2785 861	ORNAMENT, Hood Top (318) (15-03-18)
	1	2785 865	(383-2 Barrel)
	1	2785 862	(383-4 Barrel)
	1	9420 253	Nut
7	1	2811 259	MOULDING, Windshield Outside, Upr. (23-23-65)
	8	6002 263	Retainer Screw and Seal
8	1	2811 888-9	MOULDING, Windshield Outside Finish, Lwr. (23-23-65)
	10	6001 855	Retainer
	10	6023 248	Screw
9	1	2811 260-1	MOULDING, Windshield Outside Finish, Side (23-23-65)
	6	6002 263	Retainer Screw and Seal
10	1	2840 280-1	MOULDING, Body Frt. Pillar Drain Trough, w/o Vinyl Roof (23-59-61)
	2	----	Spacer
	1	2932 512-3	MOULDING PACKAGE, Body Frt. Pillar Drain Trough, w/Vinyl Roof (23-59-61)
	2	----	Spacer
11	2	2783 028	COVER, Roof Side Drain Trough Mldg. Joint (23-59-57)
12	1	2840 282-3	MOULDING, Roof Side Drain Trough, w/o Vinyl Roof (23-59-61)
	6	----	Spacer
	1	2841 504-5	MOULDING, Roof Side Drain Trough, w/Vinyl Roof (23-59-61)
	6	----	Spacer

All Packages Include Attaching Parts

REF. NO.	QTY	PART NUMBER	DESCRIPTION
13	1	2932 536-7	CAP PACKAGE, Roof Side Drain Trough Mldg. End (23-59-57)
	2	6024 564	Screw
14	1	3004 390-1	MOULDING PACKAGE, Rear Wdo. Outside, Side and Upr. (23-23-52)
	10	6001 084	Retainer and Screw
15	1	3004 392-3	MOULDING PACKAGE, Rear Wdo. Outside, Lwr. (23-23-52)
	7	6001 084	Retainer and Screw
16	1	2785 791	NAME PLATE, Deck Lid, "Plymouth" (23-19-114)
	3	6027 553	Nut
17	1	2902 910	PANEL, Deck Lid Finish (23-23-30)
	6	9420 278	Nut
	1	2901 746	NAME PLATE, Deck Lid Finish Pnl., "Sport Satellite" (23-19-114)
	2	9420 276	Nut
18	1	2932 270-1	MOULDING PACKAGE, Qtr. Outside Belt, use w/Vinyl Roof and Two Tone Paint (23-23-39)
	8	6002 558	Retainer
19	1	3419 038-9	MOULDING PACKAGE, Qtr. Outside Whl. Opng. (23-23-39)
	14	6024 271	Screw
20	1	2932 232-3	MOULDING PACKAGE, Qtr. Wdo. Outside Belt (23-23-73)
	2	6023 898	Screw
	8	6026 552	J-Nut
	8	9414 752	Screw
21	1	2933 858-9	MOULDING PACKAGE, Body Side Sill (23-23-2)
	2	6002 443	Retainer
	18	6002 711	Retainer
	2	6026 523	Nut
22	1	2932 096-7	MOULDING PACKAGE, Door Outside Belt (23-23-32)
	12	6002 549	Retainer

Part Type Code is Indicated in Parentheses

EXTERIOR VIEW - BELVEDERE SPORT SATELLITE R-P 2 DOOR HARDTOP



19a2600

EXTERIOR VIEW - BELVEDERE SPORT SATELLITE R-P CONVERTIBLE COUPE

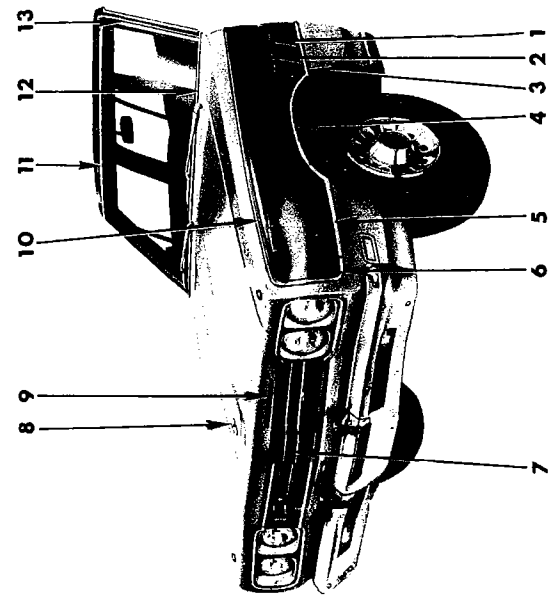
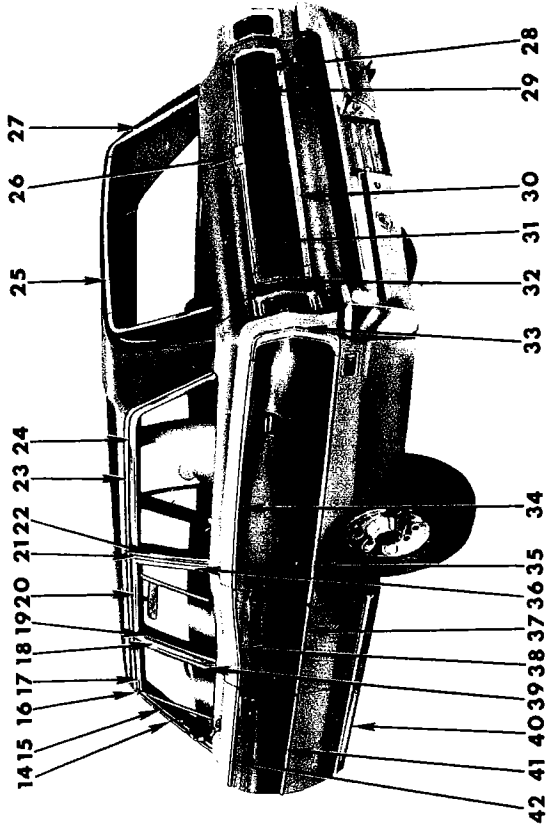
REF. NO.	QTY	PART NUMBER	DESCRIPTION	REF. NO.	QTY	PART NUMBER	DESCRIPTION
1	2	2902 789	NAME PLATE, Fender Side (Satellite) (12-15-21)	11	1	2932 274-5	MOULDING PACKAGE, Qtr. Wdo. Outside Belt, Frt. (23-23-39)
	4	6027 352	Nut	6	6026 552	J Nut	
2	2	2902 788	NAME PLATE, Fender Side (Sport) (12-15-21)	6	9414 752	Screw	
	4	6027 352	Nut	12	1	2932 256-7	MOULDING PACKAGE, Qtr. Outside Belt, Intermediate (23-23-39)
3	1	2933 560-1	MOULDING PACKAGE, Fender Wheel Opening (12-15-2)		4	6027 282	Screw
	8	6024 271	Screw	13	1	2932 254-5	MOULDING PACKAGE, Qtr. Outside Belt, Rr. (23-23-39)
4	1	2785 791	NAME PLATE, Hood Front (15-06-3)		8	6002 497	Retainer
	3	6027 552	Nut		8	9416 049	Screw
5	1	2898 302	NAME PLATE, Radiator Grille (7-16-61)	14	1	2932 186-7	MOULDING PACKAGE, Qtr. Outside Belt, Rr. Corner (23-23-39)
	2	9420 620	Nut		6	9415 938	Screw
6	1	2785 861	ORNAMENT, Hood Top (318) (15-03-18)	15	2	2932 089	MOULDING PACKAGE, Deck Opng. Upr. Pnl. (23-23-31)
	1	2785 865	(383-2 Barrel)		4	6002 497	Retainer
	1	2785 862	(383-4 Barrel)		4	9416 049	Screw
	1	9420 253	Nut	16	1	2841 642	COVER, Deck Opng. Upr. Pnl. Mldg. (23-23-41)
7	1	2586 272-3	MOULDING PACKAGE, Wind-shield Outside, Upr. (23-23-65)	17	1	2785 791	NAME PLATE, Deck Lid, "Plymouth" (23-19-114)
	8	6026 220	Screw		3	6000 960	Clip
8	1	2585 852-3	MOULDING PACKAGE, Wind-shield Outside, Lwr. (23-23-65)	18	1	2902 910	PANEL, Deck Lid Finish (23-23-30)
	10	6001 855	Retainer & Seal		6	9420 278	Nut
	1	6002 242	Retainer, Rt.	19	1	3419 038-9	MOULDING PACKAGE, Qtr. Outside Whl. Opng. (23-23-39)
	1	6002 243	Retainer, Lt.		14	6024 271	Screw
	10	6023 248	Screw	20	1	2933 858-9	MOULDING PACKAGE, Body Side Sill (23-23-2)
	2	9418 246	Screw		2	6002 443	Retainer
9	1	2586 274-5	MOULDING PACKAGE, Wind-shield Outside, Side (23-23-65)	18	6002 711	Retainer	
	8	9415 910	Screw	2	6026 523	Nut	
10	1	2932 096-7	MOULDING PACKAGE, Door Outside Belt (23-23-32)				
	12	6002 549	Retainer				

All Packages Include Attaching Parts

Part Type Code is Indicated in Parentheses

EXTERIOR VIEW - BELVEDERE SPORT SATELLITE R-P CONVERTIBLE COUPE

19a2571



EXTERIOR VIEW - BELVEDERE SPORT SATELLITE R-P STATION WAGON

REF. NO.	QTY	PART NUMBER	DESCRIPTION
1	2	2902 789	NAME PLATE, Fender Side (Satellite) (12-15-21)
	4	6027 352	Nut
2	2	2902 788	NAME PLATE, Fender Side (Sport) (12-15-21)
	4	6027 352	Nut
3	1	2932 356-7	MOULDING PACKAGE, Fender Side Rear (12-15-2)
	2	6001 910	Retainer
	1	6002 590	Clip 1 9420 867 Nut
4	1	2932 544	MOULDING PACKAGE, Fender Whl. Opng., Rt. (12-15-2)
	1	2932 543	Lt.
	8	6027 413	Screw
5	1	2932 358-9	MOULDING PACKAGE, Fender Side Lower Front (12-15-2)
	2	6000 709	Clip
	2	9420 867	Nut
6	1	2932 352-3	MOULDING PACKAGE, Fender Side Front (12-15-2)
	2	6024 271	Screw
7	1	2898 302	NAME PLATE, Radiator Grille (7-16-61)
	2	9420 620	Nut
8	1	2785 861	ORNAMENT, Hood Top (318) (15-03-18)
	1	2785 865	(383-2 Barrel)
	1	2785 862	(383-4 Barrel)
	1	9420 253	Nut
9	1	2785 791	NAME PLATE, Hood Front (15-06-3)
	3	6027 552	Nut
10	1	2932 350-1	MOULDING PACKAGE, Fender Side Upper (12-15-2)
	2	6000 709	Clip
	2	9420 867	Nut
	6	6001 910	Retainer
	6	6024 271	Screw
11	1	2584 699	MOULDING PACKAGE, Windshield Outside, Upper (23-23-65)
	8	6002 263	Retainer Screw and Seal
12	1	2585 852-3	MOULDING PACKAGE, Windshield Outside, Lower (23-23-65)
	10	6001 855	Retainer and Seal
	1	6002 242	Retainer, Rt.
	1	6002 243	Retainer, Lt.
	10	6023 248	Screw
	2	9418 246	Screw
13	1	2585 850-1	MOULDING PACKAGE, Windshield Outside Finish, Side (23-23-65)
	6	6002 263	Retainer Screw and Seal
14	1	2605 854-5	MOULDING, Body Frt. Pillar Drain Trough (23-59-61)
	2	---- ---	Spacer
15	1	2570 750-1	MOULDING, Frt. Door Wdo. Opng. Frame, Frt. (23-23-32)
16	2	2605 208	COVER, Roof Side Drain Trough Front (23-59-57)

All Packages Include Attaching Parts

REF. NO.	QTY	PART NUMBER	DESCRIPTION
17	1	2570 752-3	MOULDING, Frt. Door Wdo. Opng. Frame, Upr. (23-23-32)
18	1	2860 636-7	PANEL, Body Ctr. Pillar Outside Finish (23-23-16)
	8	6024 271	Screw
19	1	2570 914-5	MOULDING, Rear Door Wdo. Opng. Frame, Frt. (23-23-33)
20	1	2588 466-7	MOULDING, Rear Door Wdo. Opng. Frame, Upr. (23-23-33)
21	1	2860 638-9	MOULDING, Qtr. Pnl. Rear Door Lock Pillar Upr. (23-23-16)
22	1	2860 868-9	MOULDING, Qtr. Wdo. Outside, Frt., S/Steel (23-23-73)
23	1	2840 278-9	MOULDING, Roof Side Drain Trough (23-59-61)
	6	---- ---	Spacer
24	1	2860 866-7	MOULDING, Qtr. Wdo. Outside, Upr., S/Steel (23-23-73)
25	1	2573 303	MOULDING, Roof Rear Tailgate Opng. (23-23-60)
26	1	2862 816	ORNAMENT, Tailgate Electric Window Regulator Outside (23-54-11)
	2	6024 291	Nut w/Washer
27	1	3004 382-3	MOULDING PACKAGE, Qtr. Pnl. Tailgate Upr. Pillar Comp. (23-23-60)
	2	6024 564	Screw
28	1	2785 820	NAME PLATE, Tailgate Outside Panel, "Sport Wagon" (23-54-11)
	3	9420 263	Nut
	1	#2964 860	NAME PLATE, Tailgate Outside Panel, "Sport Satellite" (23-54-11)
	2	9420 263	Nut
29	1	2785 791	NAME PLATE, Tailgate Outside Panel, "Plymouth" (23-54-11)
	3	6027 553	Nut
30	1	2933 473	MOULDING PACKAGE, Tailgate Outside, Lwr. (23-23-61)
	2	6023 895	Screw
31	1	2933 474-5	MOULDING PACKAGE, Tailgate Outside, Upr. (23-23-61)
	2	6002 619	Retainer
	10	6002 624	Retainer
	2	441 239	Nut
32	1	2933 476-7	MOULDING PACKAGE, Tailgate Upr. and Lwr. End (23-23-61)
	2	6027 639	Nut
33	1	2932 278-9	MOULDING PACKAGE, Qtr. Outside Upr. and Lwr. End (23-23-39)
	4	6024 271	Screw w/Sealer
	2	9420 253	Nut and Seal
34	1	2932 134-5	MOULDING PACKAGE, Qtr. Outside, Upr. (23-23-39)
	20	6001 910	Retainer
	20	6024 271	Screw w/Sealer

CONTINUED ON NEXT PAGE

Part Type Code is Indicated in Parentheses

REF. NO.	QTY	PART NUMBER	DESCRIPTION
35	1	2932 240-1	MOULDING PACKAGE, Qtr. Outside, Lwr. (23-23-39)
	20	6001 910	Retainer
	20	6024 271	Screw w/Sealer
36	1	2811 446-7	MOULDING, Rear Door Wdo. Opng. Frame, Rr. (23-23-33)
37	1	2932 238-9	MOULDING PACKAGE, Rear Door Outside, Lwr. (23-23-33)
	6	6001 910	Retainer
	4	6002 162	Retainer
	6	6024 271	Screw w/Seal
	4	6026 523	Nut
38	1	2932 132-3	MOULDING PACKAGE, Rear Door, Upr. (23-23-33)
	10	6001 910	Retainer
	2	6002 162	Retainer
	10	6024 271	Screw w/Sealer
	2	6026 523	Nut

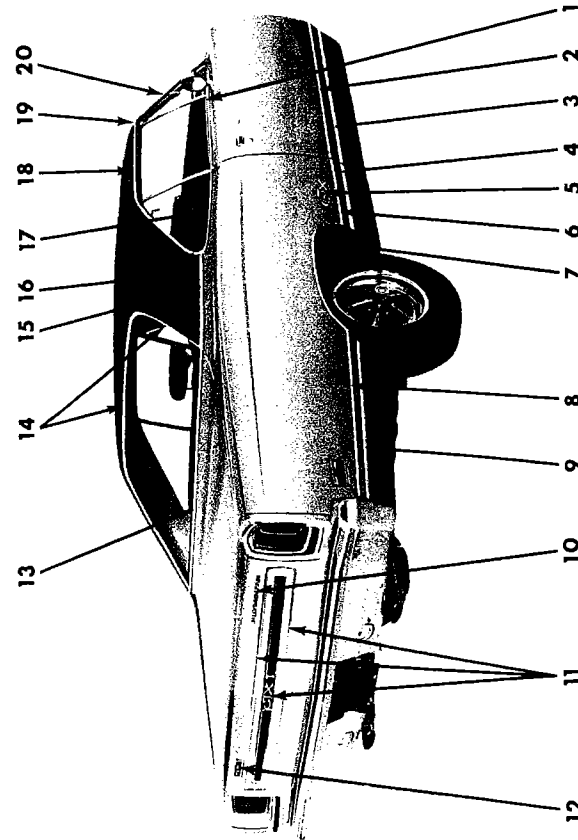
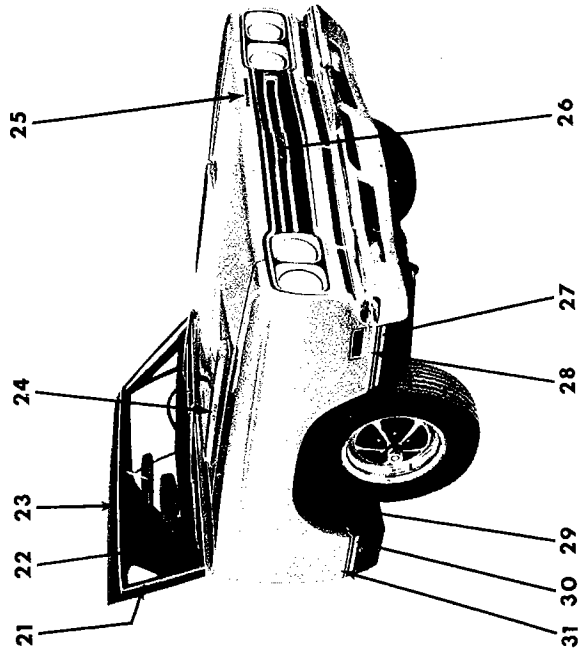
REF. NO.	QTY	PART NUMBER	DESCRIPTION
39	1	2570 754-5	MOULDING, Frt. Door Wdo. Opng. Frame, Rr. (23-23-32)
40	1	2932 272-3	MOULDING PACKAGE, Body Side Sill Outside (23-23-2)
	18	6002 445	Retainer
	2	6002 577	Retainer
41	1	2932 236-7	MOULDING PACKAGE, Frt. Door Outside, Lwr. (23-23-32)
	8	6001 910	Retainer
	4	6002 162	Retainer
	8	6024 271	Screw w/Sealer
	4	6026 523	Nut
42	1	2932 122-3	MOULDING PACKAGE, Frt. Door Outside, Upr. (23-23-32)
	12	6001 910	Retainer
	2	6002 162	Retainer
	12	6024 271	Screw w/Sealer
	2	6026 523	Nut

All Packages Include Attaching Parts

Part Type Code is Indicated in Parentheses

EXTERIOR VIEW - BELVEDERE SPORT SATELLITE R-P STATION WAGON

19a2406



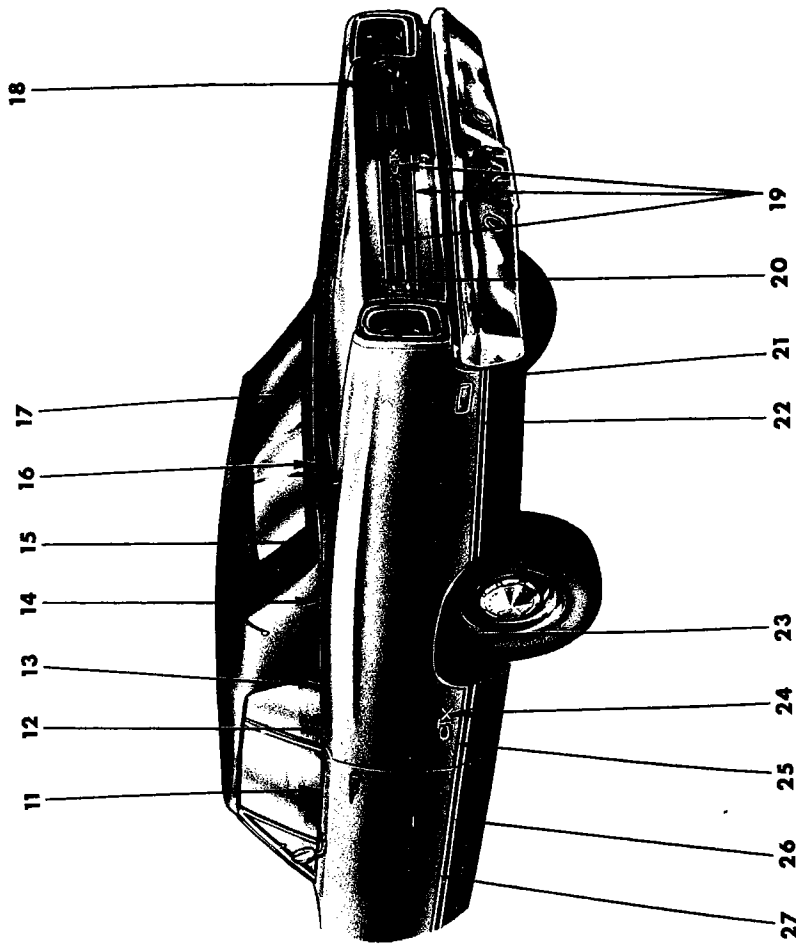
EXTERIOR VIEW - BELVEDERE GTX R-S 2 DOOR HARDTOP

REF. NO.	QTY	PART NUMBER	DESCRIPTION	REF. NO.	QTY	PART NUMBER	DESCRIPTION
1	1	2932 096-7	MOULDING PACKAGE, Door Outside Belt (23-23-32)	17	1	2932 232-3	MOULDING PACKAGE, Qtr. Wdo. Outside Belt (23-23-73)
	12	6002 549	Retainer	2	6023 898	Screw	
2	1	2932 266-7	MOULDING PACKAGE, Door Outside (23-23-32)	8	6026 552	J-Nut	
	16	6001 456	Retainer	8	9414 752	Screw	
	2	6002 456	Retainer	18	1	2840 282-3	MOULDING, Roof Side Drain Trough, w/o Vinyl Roof (23-59-61)
	2	6026 401	Nut	6	----	Spacer	
3	2	2964 624	TAPE, Door Side Stripe, "Red" (23-23-12)	1	2841 504-5	MOULDING, Roof Side Drain Trough, w/Vinyl Roof (23-59-61)	
	2	2964 625	"White"	6	----	Spacer	
4	2	2964 624	TAPE, Qtr. Pnl. Frt. Stripe, "Red" (23-23-12)	19	2	2783 028	COVER, Roof Side Drain Trough Mldg. Joint (23-59-57)
	2	2964 625	"White"	20	1	2840 280-1	MOULDING, Body Frt. Pillar Drain Trough, w/o Vinyl Roof (23-59-61)
5	2	2842 330	NAME PLATE, Qtr. Panel, GTX (23-34-238)	2	----	Spacer	
	4	6024 705	Seal	1	2932 512-3	MOULDING PACKAGE, Body Frt. Pillar Drain Trough, w/Vinyl Roof (23-59-61)	
	4	9420 621	Nut	2	----	Spacer	
6	1	2932 264-5	MOULDING PACKAGE, Qtr. Outside, Frt. (23-23-39)	21	1	2811 260-1	MOULDING, Windshield Outside Finish, Side (23-23-65)
	6	6002 418	Retainer	6	6002 263	Retainer Screw and Seal	
	2	6002 456	Retainer	22	1	2811 888-9	MOULDING, Windshield Outside Finish, Lwr. (23-23-65)
	2	9420 291	Nut	10	6001 855	Retainer	
7	1	2932 260-1	MOULDING PACKAGE, Qtr. Outside Whl. Opng. (23-23-39)	10	6023 248	Screw	
	10	6027 413	Screw	23	1	2811 259	MOULDING, Windshield Outside, Up. (23-23-65)
8	1	2932 258-9	MOULDING PACKAGE, Qtr. Outside, Rear (23-23-39)	8	6002 263	Retainer Screw and Seal	
	10	6001 456	Retainer	24	2	2898 878	NAME PLATE, Hood Extension (15-06-3)
	2	6002 456	Retainer	4	9420 254	Nut	
	2	6026 404	Nut	25	1	2785 791	NAME PLATE, Hood Front (15-06-3)
9	2	2964 624	TAPE, Qtr. Pnl., Rear "Red" (23-23-12)	3	6027 552	Nut	
	2	2964 625	"White"	26	1	2898 303	NAME PLATE, Radiator Grille (7-16-61)
10	1	2785 791	NAME PLATE, Deck Lid, "Plymouth" (23-19-114)	2	9420 620	Nut	
	3	6000 960	Clip	27	1	2964 624	TAPE, Fender Side Stripe, "Red" (12-15-33)
11	1	2902 911	PANEL, Deck Lid Finish (23-23-30)	1	2964 625	"White"	
	6	9420 278	Nut	28	1	3419 060-1	MOULDING PACKAGE, Fender Side Front (12-15-2)
12	1	2840 867	NAME PLATE, Deck Lid, "Hemi" (23-19-114)	6	6026 404	Nut	
	2	9420 263	Nut	6	6002 456	Retainer	
13	1	3004 392-3	MOULDING PACKAGE, Rear Wdo. Outside, Lwr. (23-23-52)	29	1	3419 064-5	MOULDING PACKAGE, Fender Whl. Opng. (12-15-2)
	7	6001 084	Retainer and Screw	12	6027 413	Screw	
14	1	3004 390-1	MOULDING PACKAGE, Rear Wdo. Outside, Side and Up. (23-23-52)	30	1	2964 624	TAPE, Fender Side Stripe, "Red" (12-15-33)
	10	6001 084	Retainer and Screw	1	2964 625	"White"	
15	1	2932 270-1	MOULDING PACKAGE, Qtr. Outside Belt, use w/Vinyl Roof and Two Tone Paint (23-23-39)	31	1	3419 062-3	MOULDING PACKAGE, Fender Side Rear (12-15-2)
	8	6002 558	Retainer				
16	1	2932 536-7	CAP PACKAGE, Roof Side Drain Trough Mldg. End (23-59-57)				
	2	6024 564	Screw				

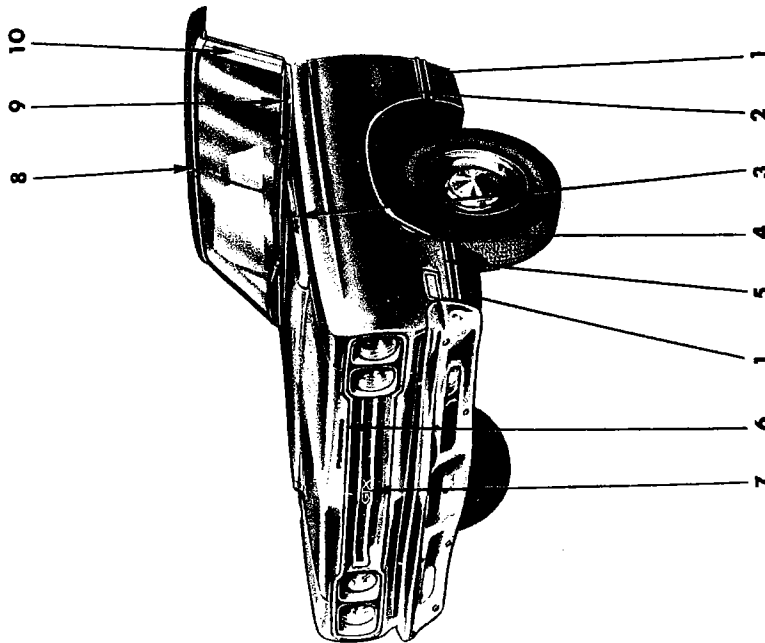
All Packages Include Attaching Parts

Part Type Code is Indicated in Parentheses

EXTERIOR VIEW - BELVEDERE GTX R-S 2 DOOR HARDTOP



19a2701



EXTERIOR VIEW - BELVEDERE GTX R-S CONVERTIBLE COUPE

REF. NO.	QTY	PART NUMBER	DESCRIPTION
1	1	2964 624	TAPE, Fender Stripe Color, Front & Rear, "Red" (12-15-33)
	1	2964 625	"White"
2	1	3419 062-3	MOULDING PACKAGE, Fender Side Rear (12-15-2)
	6	6026 404	Nut
	6	6002 456	Retainer
3	2	2898 878	NAME PLATE, Hood Extension (15-06-16)
	4	9420 254	Nut
4	1	3419 064-5	MOULDING PACKAGE, Fender Wheel Opening (12-15-2)
	12	6027 413	Screw
5	1	3419 060-1	MOULDING PACKAGE, Fender Side Front (12-15-2)
	6	6026 404	Nut
	6	6002 456	Retainer
6	1	2785 791	NAME PLATE, Hood Front (Plymouth) (15-06-3)
	3	6027 552	Nut
7	1	2898 303	NAME PLATE (7-16-61)
8	1	2586 272-3	MOULDING PACKAGE, Wind-shield Outside, Upr. (23-23-65)
	8	6026 220	Screw
9	1	2585 852-3	MOULDING PACKAGE, Wind-shield Outside, Lwr. (23-23-65)
	10	6001 855	Retainer & Seal
	1	6002 242	Retainer, Rt.
	1	6002 243	Retainer, Lt.
	10	6023 248	Screw
	2	9418 246	Screw
10	1	2586 274-5	MOULDING PACKAGE, Wind-shield Outside, Side (23-23-65)
	8	9415 910	Screw
11	1	2932 096-7	MOULDING PACKAGE, Door Outside Belt (23-23-32)
	12	6002 549	Retainer
12	1	2932 274-5	MOULDING PACKAGE, Qtr. Wdo. Outside Belt, Frt. (23-23-39)
	6	6026 552	J-Nut
	6	9414 752	Screw
13	1	2932 256-7	MOULDING PACKAGE, Qtr. Outside Belt, Interm. (23-23-39)
	4	6027 282	Screw
14	1	2932 254-5	MOULDING PACKAGE, Qtr. Outside Belt, Rr. (23-23-39)
	8	6002 497	Retainer
	8	9416 049	Screw

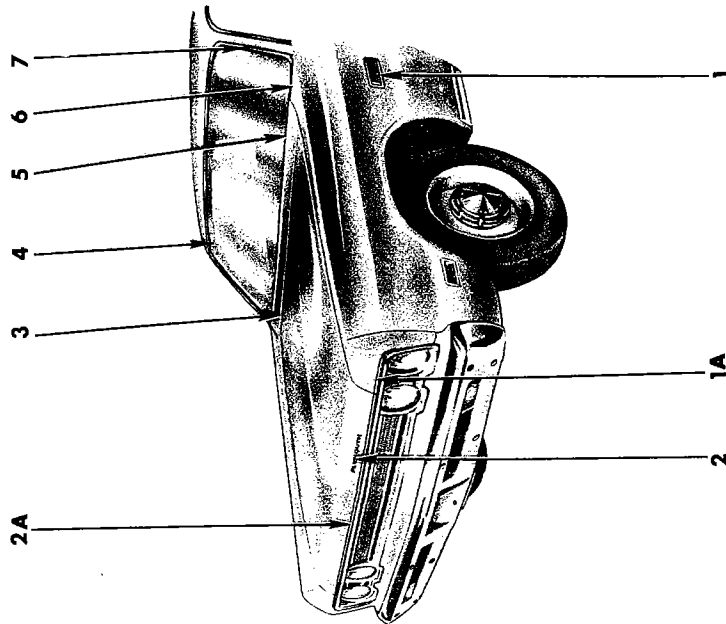
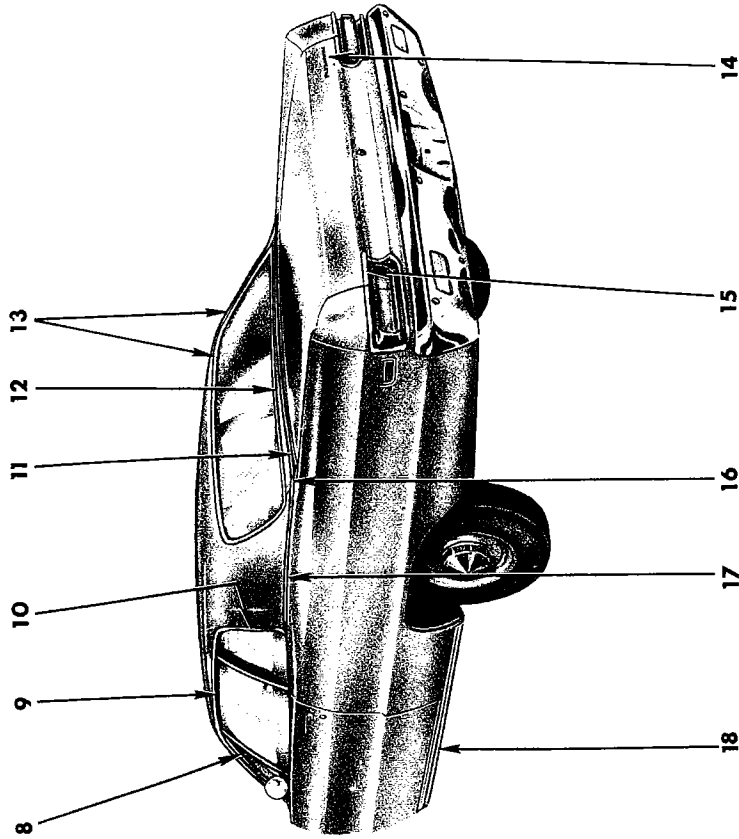
All Packages Include Attaching Parts

REF. NO.	QTY	PART NUMBER	DESCRIPTION
15	1	2932 186-7	MOULDING PACKAGE, Qtr. Outside Belt, Rear Corner (23-23-39)
	6	9415 938	Screw
16	2	2932 089	MOULDING PACKAGE, Deck Opng. Upr. Pnl. (23-23-31)
	4	6002 497	Retainer
	4	9416 049	Screw
17	1	2841 642	COVER, Deck Opng. Upr. Pnl. Mdg. (23-23-41)
18	1	2785 791	NAME PLATE, Deck Lid, "Plymouth" (23-19-114)
	3	6000 960	Clip
19	1	2902 911	PANEL, Deck Lid Finish (23-23-30)
	6	9420 278	Nut
20	1	2840 867	NAME PLATE, Deck Lid, "Hemi" (23-19-114)
	2	9420 263	Nut
21	1	2964 624	TAPE, Qtr. Pnl. Frt. & Rear Stripe Color, "Red" (23-23-12)
	1	2964 625	"White"
22	1	2932 258-9	MOULDING PACKAGE, Qtr. Outside Rear (23-23-39)
	10	6001 456	Retainer
	2	6002 456	Retainer
	2	6026 404	Nut
23	1	2932 260-1	MOULDING PACKAGE, Qtr. Outside Wheel Opening (23-23-39)
	10	6027 413	Screw
24	2	2842 330	NAME PLATE, Qtr. Panel, GTX (23-34-238)
	4	6024 705	Seal
	4	9420 621	Nut
25	1	2932 264-5	MOULDING PACKAGE, Qtr. Outside, Frt. (23-23-39)
	6	6002 418	Retainer
	2	6002 456	Retainer
	2	9420 291	Nut
26	1	2964 624	TAPE, Door Stripe Color, "Red" (23-23-12)
	1	2964 625	"White"
27	1	2932 266-7	MOULDING PACKAGE, Door Outside (23-23-32)
	16	6001 456	Retainer
	2	6002 456	Retainer
	2	6026 401	Nut

Part Type Code is Indicated in Parentheses

EXTERIOR VIEW - BELVEDERE GTX R-S CONVERTIBLE COUPE

19a2645B



EXTERIOR VIEW - PLYMOUTH FURY 1 P-E 2 DOOR SEDAN

REF. NO.	QTY	PART NUMBER	DESCRIPTION
1	2	2902 165	NAME PLATE, Fender Side (Fury I) (12-15-21)
	4	6026 935	Nut
	4	6025 963	Screw
1A	1	2998 848-9	MOULDING, Fender Front Extension (12-15-2)
2	1	2785 791	NAME PLATE, Hood Front (15-06-3)
	3	6027 552	Nut
2A	1	3481 840	MOULDING PACKAGE, Hood Front (15-25-2)
3	1	2998 857	MOULDING, Hood Top Rear (12-15-2)
4	1	2893 077	MOULDING, Windshield Outside, Upr. (23-23-65)
	7	6002 688	Retainer
5	1	2933 963	MOULDING PACKAGE, Windshield Outside, Lwr. (23-23-65)
	5	9418 246	Screw
	1	3419 448	MOULDING PACKAGE, Windshield Outside Lwr. Ctr. and Ends, AFTER Type (23-23-65)
6	1	3439 034-5	MOULDING, Windshield Lwr., End (23-23-65)
	2	6024 271	Screw, w/Seal
7	1	2933 966-7	MOULDING PACKAGE, Windshield Outside, Side (23-23-65)
	6	2900 275	Spacer
	6	6002 688	Screw
8	1	2933 600-1	MOULDING PACKAGE, Body Front Pillar Drain Trough (23-59-61)
	6	6027 459	Screw
9	1	3419 356-7	MOULDING PACKAGE, Roof Side Drain Trough, Frt. (23-59-61)
	4	6024 549	Screw
10	1	2933 590-1	MOULDING PACKAGE, Roof Side Drain Trough, Rear (23-59-61)
	4	6027 459	Screw

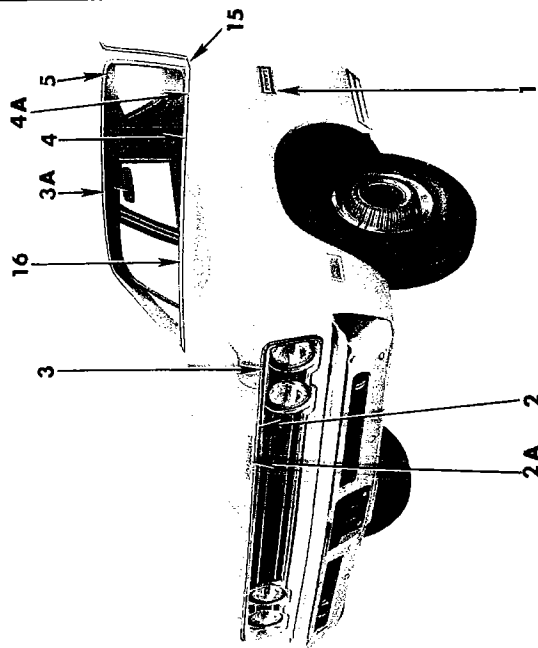
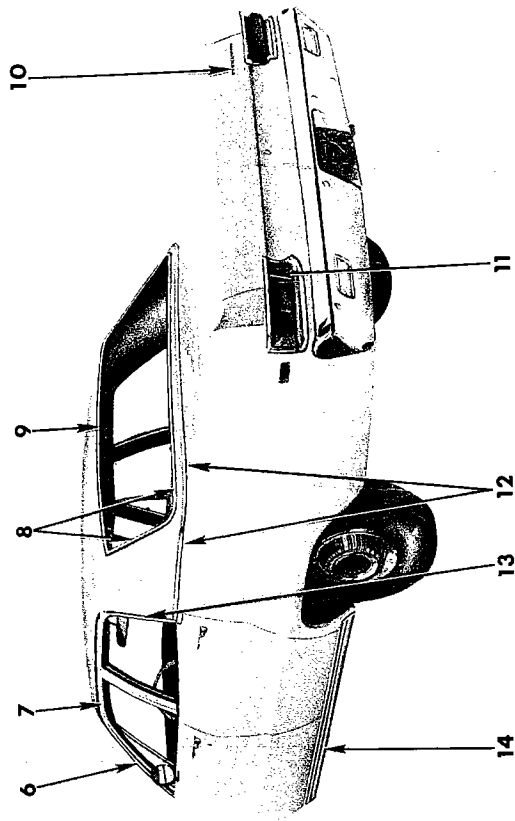
REF. NO.	QTY	PART NUMBER	DESCRIPTION
11	1	2933 570-1	MOULDING PACKAGE, Deck Opng. Upr. Pnl., use w/Vinyl Roof and Two Tone Paint (23-23-31)
	8	6002 192	Fastener
	8	6002 330	Retainer
	8	9420 867	Nut
12	1	3419 306-7	MOULDING PACKAGE, Rear Wdo. Outside, Lwr. (23-23-52)
	10	6002 686	Retainer
13	1	2933 492-3	MOULDING PACKAGE, Rear Wdo. Outside, Side & Upr. (23-23-52)
	14	6002 686	Retainer
14	1	2785 791	NAME PLATE, Deck Lid, "Plymouth" (23-19-114)
	3	6000 960	Clip
15	1	2933 526-7	MOULDING PACKAGE, Deck Lid (23-23-30)
	4	6024 659	Screw
16	1	2933 578-9	MOULDING PACKAGE, Deck Opng. Upr. Pnl. Outer Panel, use w/Vinyl Roof & Two Tone Paint (23-23-31)
	4	6025 985	Screw
17	1	2933 894-5	MOULDING PACKAGE, Qtr. Outside Belt, use w/Vinyl Roof and Two Tone Paint (23-23-39)
	8	6002 192	Retainer
	6	6002 330	Retainer
	6	9420 867	Nut
18	1	2933 752-3	MOULDING PACKAGE, Body Side Sill (23-23-2)
	18	6002 601	Retainer
	18	6024 271	Screw

All Packages Include Attaching Parts

Part Type Code is Indicated in Parentheses

EXTERIOR VIEW - PLYMOUTH FURY I P-E 2 DOOR SEDAN

19a2509B



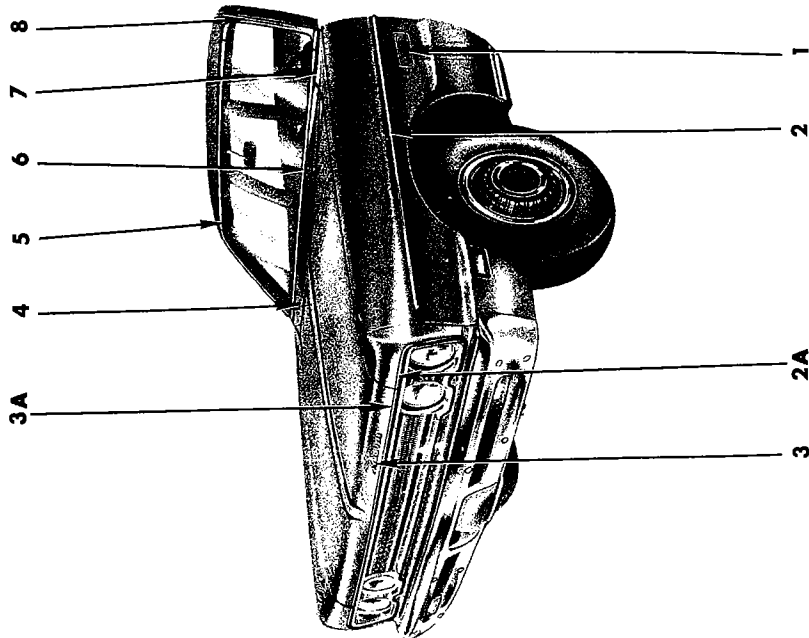
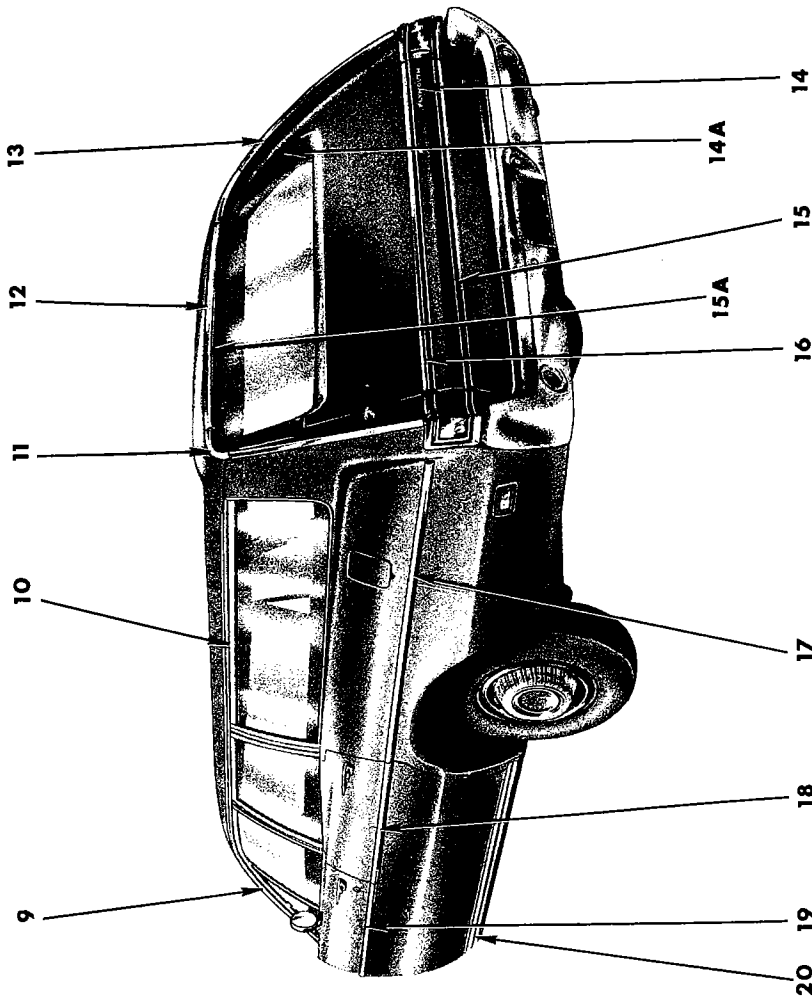
EXTERIOR VIEW - PLYMOUTH FURY I P-E 4 DOOR SEDAN

REF. NO.	QTY	PART NUMBER	DESCRIPTION	REF. NO.	QTY	PART NUMBER	DESCRIPTION
1	2	2902 165	NAME PLATE, Fender Side (12-15-21)	8	1	2933 494-5	MOULDING PACKAGE, Rear Wdo. Outside, Side and Lwr. (23-23-52)
	4	6026 935	Nut		16	6002 686	Retainer
	4	6025 963	Screw	9	1	2933 496-7	MOULDING PACKAGE, Rear Wdo. Outside, Upr. (23-23-52)
2	1	3481 840	MOULDING PACKAGE, Hood Front (15-25-2)		8	6002 686	Retainer
2A	1	2785 791	NAME PLATE, Hood Front (15-06-3)	10	1	2785 791	NAME PLATE, Deck Lid, "Plymouth" (23-19-114)
	3	6027 552	Nut		3	6000 960	Clip
3	1	2998 848-9	MOULDING, Fender Front Extension (12-15-2)	11	1	2933 526-7	MOULDING PACKAGE, Deck Lid (23-23-30)
3A	1	2893 077	MOULDING, Windshield Outside, Upr. (23-23-65)		4	6024 659	Screw
	7	6002 688	Retainer	12	1	2933 566-7	MOULDING PACKAGE, Deck Opng. Upr. Pnl., use w/Vinyl Roof and Two Tone Paint (23-23-31)
4	1	2933 963	MOULDING PACKAGE, Windshield Outside, Lower (23-23-65)		9	6002 192	Fastener
	5	9418 246	Screw		6	6002 320	Retainer
	1	3419 448	MOULDING PACKAGE, Windshield Outside Lwr. Ctr. and Ends, AFTER Type (23-23-65)		6	9426 926	Nut
				13	1	#2933 586-7	MOULDING PACKAGE, Roof Side Drain Trough, Rear (23-59-61)
4A	1	3439 034-5	MOULDING, Windshield Lwr. End (23-23-65)		6	6024 271	Screw
	2	6024 271	Screw, w/Seal	14	1	2933 752-3	MOULDING PACKAGE, Body Side Sill (23-23-2)
5	1	2933 964-5	MOULDING PACKAGE, Windshield Outside, Side (23-23-65)		18	6002 601	Retainer
	6	2900 275	Spacer		18	6024 271	Screw
	6	6002 688	Screw	15	1	3419 482-3	MOULDING PACKAGE, Body Frt. Lwr. Pillar (23-23-14)
6	1	2933 568-9	MOULDING PACKAGE, Body Frt. Pillar Drain Trough (23-59-61)		2	6024 271	Screw, w/Seal
	10	6027 459	Screw	16	1	2898 857	MOULDING, Hood Top Rr. (15-25-2)
7	1	3419 354-5	MOULDING PACKAGE, Roof Side Drain Trough, Frt. (23-59-61)				
	4	6024 659	Screw				

All Packages Include Attaching Parts

Part Type Code is Indicated in Parentheses

EXTERIOR VIEW - PLYMOUTH FURY I P-E 4 DOOR SEDAN



19a2660B

EXTERIOR VIEW - PLYMOUTH FURY I P-E STATION WAGON

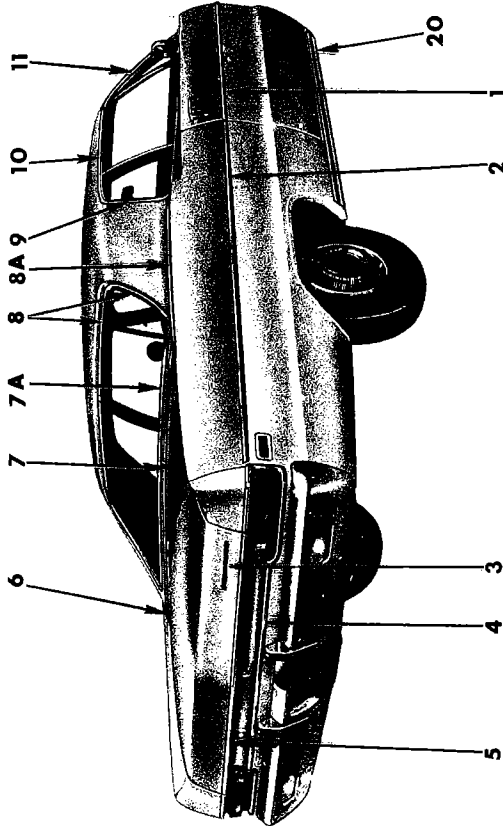
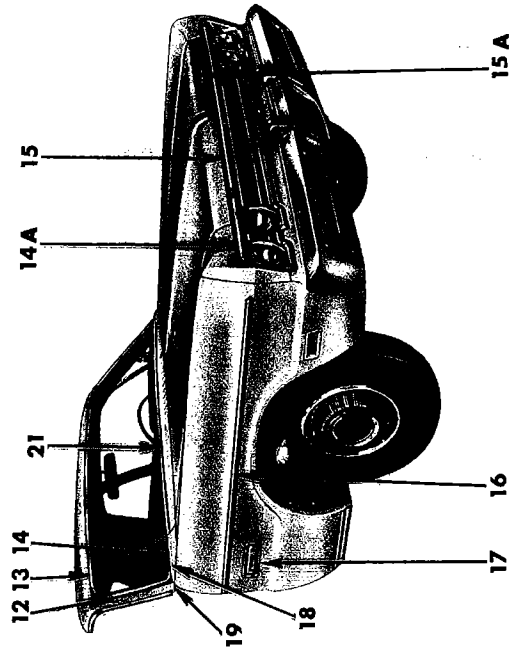
REF. NO.	QTY	PART NUMBER	DESCRIPTION	REF. NO.	QTY	PART NUMBER	DESCRIPTION
1	2	2902 166	NAME PLATE, Fender Side (Suburban) (12-15-21)	14	1	2785 791	NAME PLATE, Tailgate, "Plymouth" (23-54-11)
	4	6026 935	Nut		3	6000 960	Clip
	4	6025 963	Screw	14A	1	2894 442-3	MOULDING, Qtr. Pnl. Outside Tailgate Pillar Upr. Tailgate Opng. Prime (23-23-60)
2	2	2933 282	MOULDING PACKAGE, Fender Side (12-15-2)	15	1	2933 471	MOULDING PACKAGE, Tailgate Outside, Lwr. (23-23-61)
	1	441 239	Nut		2	6002 779	Retainer
	1	9419 784	Nut		2	6026 523	Nut
	5	6002 607	Retainer	15A	1	2894 445	MOULDING, Roof Pnl. Outside Tailgate Opng. Upr., Prime (23-23-60)
	1	6002 606	Retainer, w/Seal		2	6002 779	Retainer
	6	6002 632	Retainer, w/Seal	16	1	2933 472	MOULDING PACKAGE, Tailgate Outside, Upr. (23-23-61)
	5	6024 271	Screw		2	6002 779	Retainer
2A	1	2998 848-9	MOULDING, Fender Front Extension (12-15-2)		2	6026 523	Nut
3	1	2785 791	NAME PLATE, Hood Front (15-06-3)	17	1	2933 770-1	MOULDING PACKAGE, Qtr. Outside (23-23-39)
	3	6027 552	Nut		18	6002 607	Retainer
3A	1	3481 840	MOULDING PACKAGE, Hood Front (15-25-2)		18	6024 271	Screw
4	1	2898 857	MOULDING, Hood Top Rear (15-25-2)	18	2	2933 758	MOULDING PACKAGE, Rear Door Outside (23-23-33)
5	1	2893 077	MOULDING, Windshield Outside, Upr. (23-23-65)		2	6002 606	Retainer
	7	6002 688	Retainer		3	6002 607	Retainer
6	1	2933 963	MOULDING PACKAGE, Windshield Outside, Lower (23-23-65)		3	6024 271	Screw
	5	9418 246	Screw		2	6026 523	Nut
	1	3419 448	MOULDING PACKAGE, Windshield Outside Lwr. Ctr. and Ends, AFTER Type (23-23-65)	19	2	2933 721	MOULDING PACKAGE, Frt. Door Outside (23-23-32)
					4	6002 606	Retainer
7	1	3439 034-5	MOULDING, Windshield Lwr., End (23-23-65)		6	6002 607	Retainer
	2	6024 271	Screw, w/Seal		6	6024 271	Screw
8	1	2933 964-5	MOULDING PACKAGE, Windshield Outside, Side (23-23-65)		4	6026 523	Nut
	6	2900 275	Spacer	20	1	2933 752-3	MOULDING PACKAGE, Body Side Sill (23-23-2)
	6	6002 688	Screw		18	6002 601	Retainer
9	1	2933 568-9	MOULDING PACKAGE, Body Frt. Pillar Drain Trough (23-59-61)		18	6024 271	Screw
	10	6027 459	Screw				
10	1	2902 390-1	MOULDING, Roof Side Drain Trough (23-59-61)				
11	1	2894 416-7	MOULDING, Roof Rear Air Deflector, End (23-23-60)				
12	1	2894 418	MOULDING, Roof Rear Air Deflector, Ctr. (23-23-60)				
13	1	2933 618-9	MOULDING PACKAGE, Qtr. Pnl. Outside Tailgate Pillar, Upr., Short, use w/Assist Handle (23-23-60)				
	4	6002 665	Spacer				
	1	2933 622-3	MOULDING PACKAGE, Qtr. Pnl. Outside Tailgate Pillar, w/o Assist Handles (23-23-60)				
	8	6002 665	Spacer				

All Packages Include Attaching Parts

Part Type Code is Indicated in Parentheses

EXTERIOR VIEW - PLYMOUTH FURY I P-E STATION WAGON

19a-2465 B



EXTERIOR VIEW - PLYMOUTH FURY II P-L 2 DOOR SEDAN

REF. NO.	QTY	PART NUMBER	DESCRIPTION
1	2	2933 720	MOULDING PACKAGE, Door Outside (23-23-32)
	4	6002 606	Retainer
	8	6002 607	Retainer
	8	6024 271	Screw
	4	6026 523	Nut
2	1	2933 762-3	MOULDING PACKAGE, Qtr. Outside (23-23-39)
	2	6002 606	Retainer
	20	6002 607	Retainer
	20	6024 271	Screw
	2	6026 523	Nut
3	1	2785 791	NAME PLATE, Deck Lid, "Plymouth" (23-19-114)
	3	6000 960	Clip
4	1	2933 529	MOULDING PACKAGE, Deck Opng. Lwr. Pnl. (23-23-23)
	8	6002 610	Retainer
5	1	2933 528	MOULDING PACKAGE, Deck Lid (23-23-30)
	6	6024 659	Screw
6	1	2933 578-9	MOULDING PACKAGE, Deck Upr. Pnl. Qtr., Corner, use w/Vinyl Roof and Two Tone Paint (23-23-31)
	4	6025 985	Screw
7	1	2933 570-1	MOULDING PACKAGE, Deck Opng. Upr. Pnl., use w/Vinyl Roof and Two Tone Paint (23-23-31)
	8	6002 192	Fastener
	8	6002 330	Retainer
	8	9420 867	Nut
7A	1	3419 306-7	MOULDING PACKAGE, Rear Wdo. Outside, Lower (23-23-52)
	10	6002 686	Retainer
8	1	2933 492-3	MOULDING PACKAGE, Rear Wdo. Outside, Side and Upr. (23-23-52)
	14	6002 686	Retainer
8A	1	2933 894-5	MOULDING PACKAGE, Qtr. Outside Belt (23-23-39)
	8	6002 192	Retainer
	6	6002 330	Retainer
	6	9420 867	Nut
9	1	2933 590-1	MOULDING PACKAGE, Roof Side Drain Trough, Rear (23-59-61)
	4	6027 459	Screw
10	1	3419 356-7	MOULDING PACKAGE, Roof Side Drain Trough, Frnt (23-59-61)
	4	6024 659	Screw

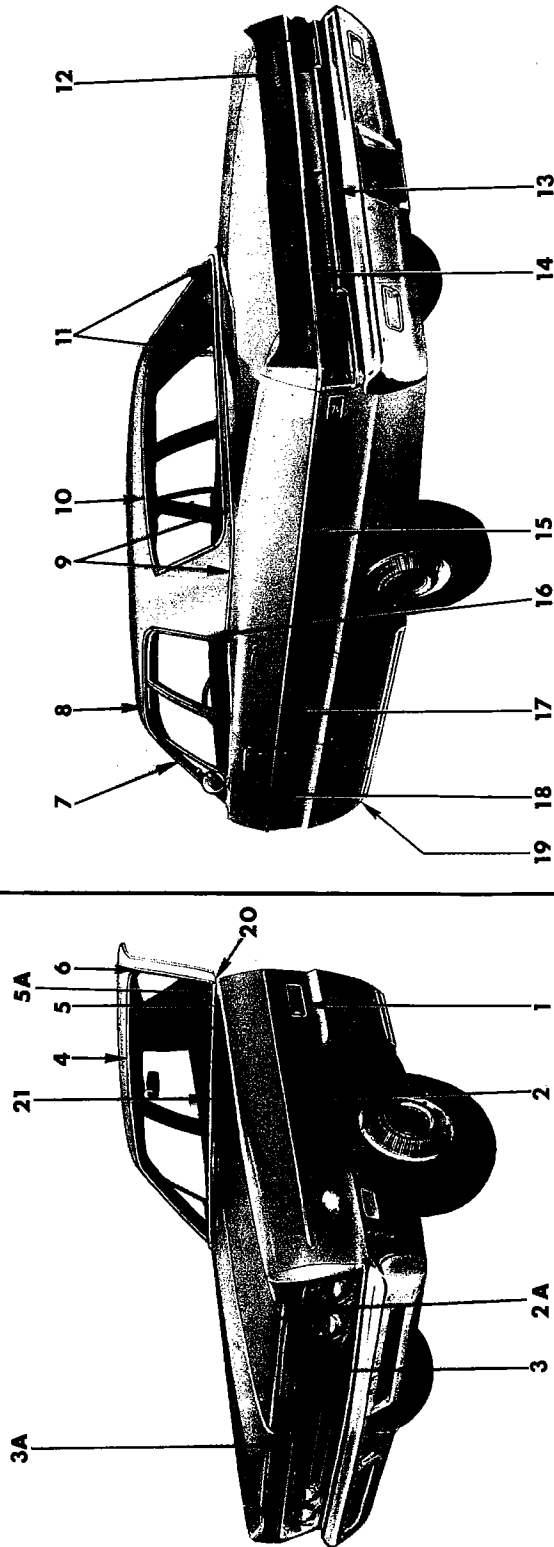
REF. NO.	QTY	PART NUMBER	DESCRIPTION
11	1	2933 600-1	MOULDING PACKAGE, Body Frt. Pillar Drain Trough (23-59-61)
	6	6027 459	Screw
12	1	2933 966-7	MOULDING PACKAGE, Windshield Outside, Side (23-23-65)
	6	2900 275	Spacer
	6	6002 688	Screw
13	1	2893 077	MOULDING, Windshield Outside, Upr. (23-23-65)
	7	6002 688	Retainer
14	1	2933 963	MOULDING PACKAGE, Windshield Outside, Lwr. (23-23-65)
	5	9418 246	Screw
	1	3419 448	MOULDING PACKAGE, Windshield Outside Lwr. Ctr. and Ends, After Type (23-23-65)
14A	1	2998 848-9	MOULDING, Fender Front Extension (12-15-2)
15	1	3481 840	MOULDING PACKAGE, Hood Front (15-25-2)
15A	1	2785 791	NAME PLATE, Hood Front (15-06-3)
	3	6027 552	Nut
16	2	2933 282	MOULDING PACKAGE, Fender Side (12-15-2)
	1	441 239	Nut
	1	6023 523	Nut
	5	6002 607	Retainer
	1	6002 606	Retainer, w/Seal
	1	6002 632	Retainer, w/Seal
	5	6024 271	Screw
17	2	2902 167	NAME PLATE, Fender Side (12-15-21)
	4	6026 935	Nut
	4	6025 963	Screw
18	1	3439 034-5	MOULDING, Windshield Lwr. End (23-23-65)
	2	6024 271	Screw, w/Seal
19	1	3419 482-3	MOULDING PACKAGE, Body Frt. Lwr. Pillar (23-23-14)
	2	6024 271	Screw, w/Seal
20	1	2933 752-3	MOULDING PACKAGE, Body Side Sill (23-23-2)
	18	6002 601	Retainer
	18	6024 271	Screw
21	1	2898 711	MOULDING, Hood Top Rear (15-25-2)

All Packages Include Attaching Parts

Part Type Code is Indicated in Parentheses

EXTERIOR VIEW - PLYMOUTH FURY II P-L 2 DOOR SEDAN

19a2508B



EXTERIOR VIEW - PLYMOUTH FURY II P-L 4 DOOR SEDAN

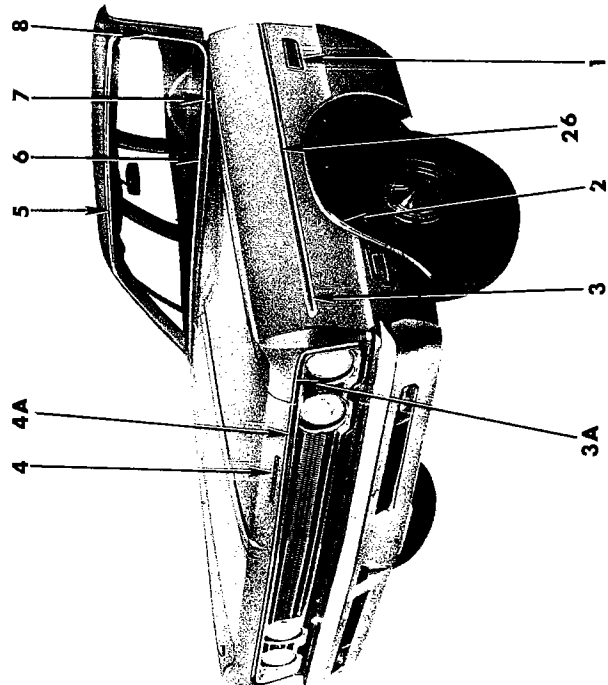
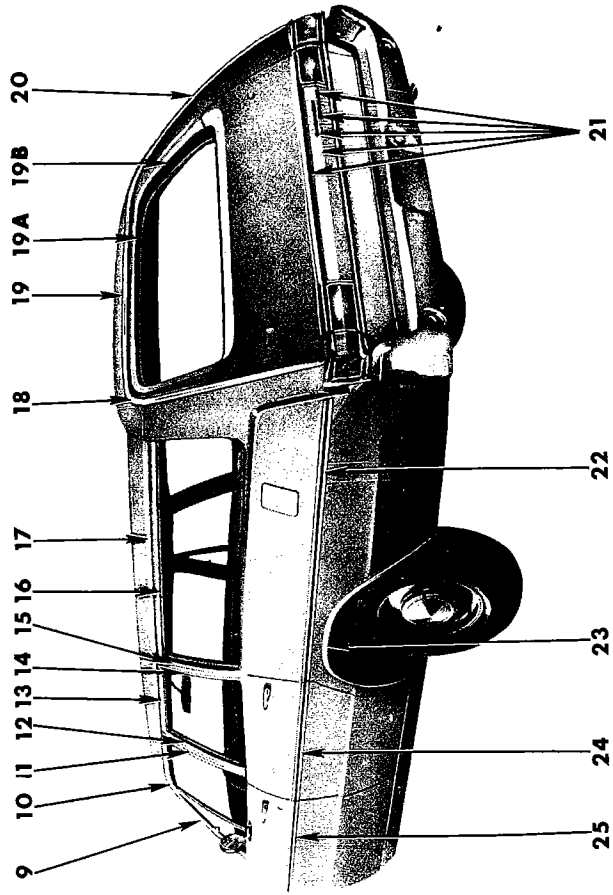
REF. NO.	QTY	PART NUMBER	DESCRIPTION
1	2	2902 167	NAME PLATE, Fender Side (12-15-21)
	4	6026 935	Nut
	4	6025 963	Screw
2	2	2933 282	MOULDING PACKAGE, Fender Side (12-15-2)
	1	441 239	Nut
	1	6023 523	Nut
	5	6002 607	Retainer
	1	6002 606	Retainer, w/Seal
	1	6002 632	Retainer, w/Seal
	5	6024 271	Screw
2A	1	2998 848-9	MOULDING, Fender Front Extension (12-15-2)
3	1	2785 791	NAME PLATE, Hood Front (15-06-3)
	3	6027 552	Nut
3A	1	3481 840	MOULDING PACKAGE, Hood Front (15-25-2)
4	1	2893 077	MOULDING, Windshield Outside, Upr. (23-23-65)
	7	6002 688	Retainer
5	1	2933 963	MOULDING PACKAGE, Windshield Outside, Lower (23-23-65)
	5	9418 246	Screw
	1	3419 448	MOULDING PACKAGE, Windshield Outside Lwr. Ctr. and Ends, AFTER Type (23-23-65)
5A	1	3439 034-5	MOULDING, Windshield Lwr. End (23-23-65)
	2	6024 271	Screw, w/Seal
6	1	2933 964-5	MOULDING PACKAGE, Windshield Outside, Side (23-23-65)
	6	2900 275	Spacer
	6	6002 688	Screw
7	1	2933 568-9	MOULDING PACKAGE, Body Frt. Pillar Drain Trough (23-59-61)
	10	6027 459	Screw
8	1	3419 354-5	MOULDING PACKAGE, Roof Side Drain Trough, Frt. (23-59-61)
	4	6024 659	Screw
9	1	2933 566-7	MOULDING PACKAGE, Deck Opng. Upr. Pnl., use w/Vinyl Roof and Two Tone Paint (23-23-31)
	9	6002 192	Fastener
	6	6002 320	Retainer
	6	9426 926	Nut

All Packages Include Attaching Parts

REF. NO.	QTY	PART NUMBER	DESCRIPTION
10	1	2933 496-7	MOULDING PACKAGE, Rear Wdo. Outside, Upr. (23-23-52)
	8	6002 686	Retainer
11	1	2933 494-5	MOULDING PACKAGE, Rear Wdo. Outside, Side and Lwr. (23-23-52)
	16	6002 686	Retainer
12	1	2785 791	NAME PLATE, Deck Lid, "Plymouth" (23-19-114)
	3	6000 960	Clip
13	1	2933 529	MOULDING PACKAGE, Deck Opng. Lwr. Pnl. (23-23-23)
	8	6002 610	Retainer
14	1	2933 528	MOULDING PACKAGE, Deck Lid (23-23-30)
	6	6024 659	Screw
15	1	2933 760-1	MOULDING PACKAGE, Qtr. Outside (23-23-39)
	2	6002 606	Retainer
	14	6002 607	Retainer
	14	6024 271	Screw
	2	6026 523	Nut
16	1	2933 586-7	MOULDING PACKAGE, Roof Side Drain Trough, Rear (23-59-61)
	6	6024 271	Screw
17	2	2933 758	MOULDING PACKAGE, Rear Door Outside (23-23-33)
	2	6002 606	Retainer
	3	6002 607	Retainer
	3	6024 271	Screw
	2	6026 523	Nut
18	2	2933 721	MOULDING PACKAGE, Frt. Door Outside (23-23-32)
	4	6002 606	Retainer
	6	6002 607	Retainer
	6	6024 271	Screw
	4	6026 523	Nut
19	1	2933 752-3	MOULDING PACKAGE, Body Side Sill (23-23-2)
	18	6002 601	Retainer
	18	6024 271	Screw
20	1	3419 482-3	MOULDING PACKAGE, Body Frt. Lwr. Pillar (23-23-14)
	2	6024 271	Screw, w/Seal
21	1	2898 857	MOULDING, Hood Top Rear (15-25-2)

Part Type Code is Indicated in Parentheses

19a2646B



EXTERIOR VIEW - PLYMOUTH FURY II P-L CUSTOM SUBURBAN

REF. NO.	QTY	PART NUMBER	DESCRIPTION
1	2	2902 169	NAME PLATE, Fender Side (Custom Suburban) (12-15-21)
	4	6026 935	Nut
	4	6025 963	Screw
2	1	2933 286-7	MOULDING PACKAGE, Fender Wheel Opening (12-15-2)
	14	6027 413	Screw
3	1	2933 284-5	MOULDING PACKAGE, Fender Side (12-15-2)
	5	6002 633	Retainer
	2	6002 609	Retainer, w/Seal
	5	6024 271	Screw
3A	1	2998 848-9	MOULDING, Fender Front Extension (12-15-2)
4	1	2785 791	NAME PLATE, Hood Front (15-06-3)
	3	6027 552	Nut
4A	1	3481 840	MOULDING PACKAGE, Hood Front (15-25-2)
5	1	2893 077	MOULDING, Windshield Outside, Upr. (23-23-65)
	7	6002 688	Retainer
6	1	2898 711	MOULDING, Hood Top Rear (15-25-2)
7	1	2933 963	MOULDING PACKAGE, Wind- shield Outside, Lwr. (23-23-65)
	5	9418 246	Screw
	1	3419 448	MOULDING PACKAGE, Wind- shield Outside, Lwr. Ctr. and Ends, AFTER Type (23-23-65)
8	1	2933 964-5	MOULDING PACKAGE, Wind- shield Outside, Side (23-23-65)
	6	2900 275	Spacer
	6	6002 688	Screw
9	1	2933 568-9	MOULDING PACKAGE, Body Frt. Pillar Drain Trough (23-59-61)
	10	6027 459	Screw
10	1	2893 698-9	MOULDING, Frt. Door Wdo. Opng. Frame, Upr. (23-23-32)
11	1	2893 700-1	MOULDING, Frt. Door Wdo. Opng. Frame, Rr. (23-23-32)
12	1	2893 700	MOULDING, Rear Door Wdo. Opng. Frame, Frt., Lt.
	1	2893 701	MOULDING, Rear Door Wdo. Opng. Frame, Frt., Rt.
13	1	2893 724-5	MOULDING, Rear Door Wdo. Opng. Frame, Upr. (23-23-33)
14	1	2893 728-9	MOULDING, Rear Door Wdo. Opng. Frame, Rr. (23-23-33)
15	1	2893 256-7	MOULDING, Qtr. Wdo. Outside, Frt., Prime (23-23-73)
	1	2894 870-1	MOULDING, Qtr. Wdo. Outside, Frt., Finish
16	1	2893 258-9	MOULDING, Qtr. Wdo. Outside, Upr., Prime (23-23-73)
	1	2894 872-3	MOULDING, Qtr. Wdo. Outside, Upr., Finish

All Packages Include Attaching Parts

REF. NO.	QTY	PART NUMBER	DESCRIPTION
17	1	2902 390-1	MOULDING, Roof Side Drain Trough (23-59-61)
	12	6024 659	Screw
18	1	2894 416-7	MOULDING, Roof Rear Air Deflector, End (23-23-60)
19	1	2894 418	MOULDING, Roof Rear Air Deflector, Center (23-23-60)
19A	1	2894 445	MOULDING, Roof Pnl. Outside Tailgate Opng., Upr. Prime (23-23-60)
19B	1	2894 442-3	MOULDING, Qtr. Pnl. Outside Tailgate Pillar Upr. Tailgate Opng., Prime (23-23-60)
20	1	2933 622-3	MOULDING PACKAGE, Qtr. Pnl. Outside Tailgate Pillar, w/o Assist Handles, UP TO Type (23-23-60)
	8	6002 665	Spacer
	1	2933 618-9	MOULDING PACKAGE, Qtr. Pnl. Outside Tailgate Pillar Upr. Short, w/ Assist Handles, UP TO Type (23-23-60)
	1	3440 476-7	MOULDING, Qtr. Pnl. Outside Tailgate Pillar, Upr., w/o Assist Handles, AFTER Type (23-23-60)
	1	3440 478-9	MOULDING, Qtr. Pnl. Outside Tailgate Pillar, Upr., Short, w/ Assist Handles, AFTER Type (23-23-60)
	4	6002 665	Spacer
21	1	2902 115	PANEL and NAME PLATE, Tailgate Outside Finish (23-23-77)
	5	6002 781	Retainer
	10	6026 581	Weld Stud
	AR	6028 379	Rivet
22	1	2933 772-3	MOULDING PACKAGE, Qtr. Outside (23-23-39)
	18	6002 633	Retainer
	18	6024 271	Screw
	1	3549 622-3	MOULDING PACKAGE, Qtr. Outside, "Black" (23-23-39)
	9	6002 633	Retainer
	9	6024 271	Screw
23	1	2933 774-5	MOULDING PACKAGE, Qtr. Outside Wheel Opening (23-23-39)
	12	6024 271	Screw

CONTINUED ON NEXT PAGE

Part Type Code is Indicated in Parentheses

1969 PASSENGER CAR PARTS CATALOG

BODY

REF. NO.	QTY	PART NUMBER	DESCRIPTION
24	1	2933 768-9	MOULDING PACKAGE, Rear Door Outside (23-23-33)
	4	6002 609	Retainer
	12	6002 633	Retainer
	12	6024 271	Screw
	4	6026 523	Nut
	1	3549 618-9	MOULDING PACKAGE, Rear Door Outside, "Black" (23-23-33)
	6	6002 633	Retainer
	6	6024 271	Screw
	2	6006 209	Retainer
	2	6026 523	Nut
25	1	2933 726-7	MOULDING PACKAGE, Frt. Door Outside (23-23-32)
	4	6002 609	Retainer
	6	6002 633	Retainer
	6	6024 271	Screw
	4	6026 523	Nut

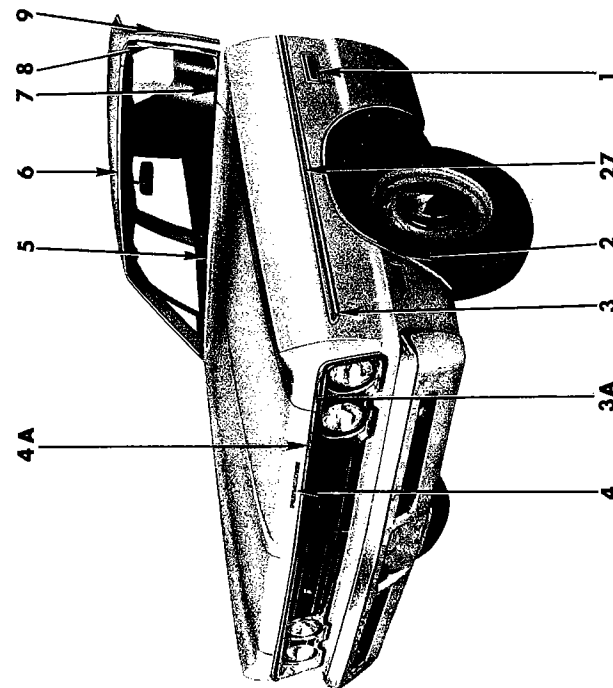
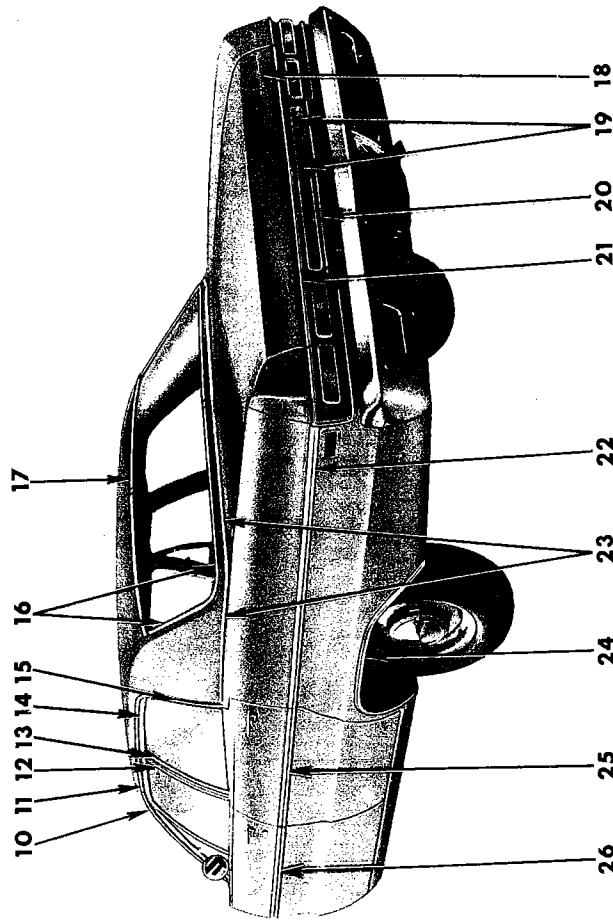
REF. NO.	QTY	PART NUMBER	DESCRIPTION
25	1	3549 616-7	MOULDING PACKAGE, Frt. Door Outside, "Black" (23-23-32)
Cont'd			
	8	6024 271	Screw
	8	6002 633	Retainer
	2	6002 209	Retainer
	2	6026 523	Nut
26	1	3549 650-1	MOULDING, Fender Side (Black) (12-15-2)

All Packages Include Attaching Parts

Part Type Code is Indicated in Parentheses

NOTES

Lined area for notes, consisting of multiple horizontal lines.



19a2644B

EXTERIOR VIEW - PLYMOUTH FURY III P-M 4 DOOR SEDAN

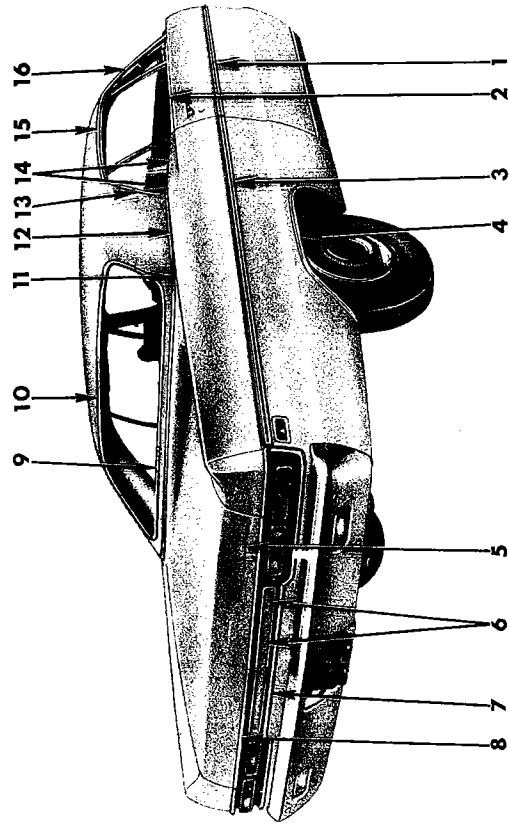
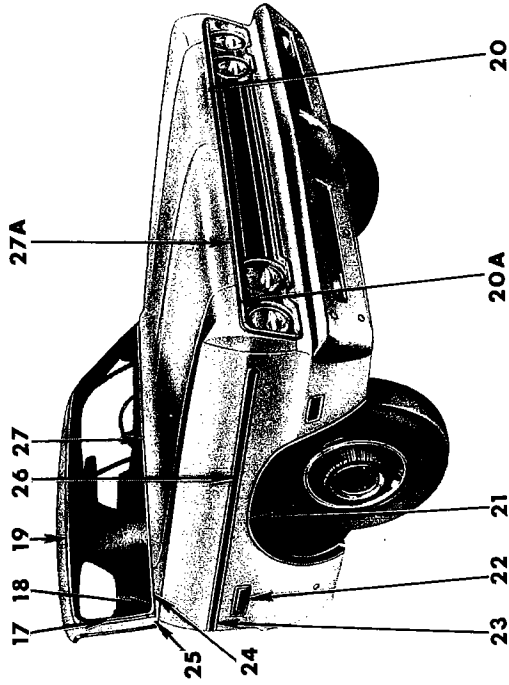
REF. NO.	QTY	PART NUMBER	DESCRIPTION
1	2	2902 168	NAME PLATE, Fender Side (Fury III) (12-15-21)
	4	6026 935	Nut
	4	6025 963	Screw
2	1	2933 286-7	MOULDING PACKAGE, Fender Wheel Opening (12-15-2)
	14	6027 413	Screw
3	1	2933 284-5	MOULDING PACKAGE, Fender Side (12-15-2)
	5	6002 633	Retainer
	2	6002 609	Retainer, w/Seal
	5	6024 271	Screw
3A	1	2998 848-9	MOULDING, Fender Front Extension (12-15-2)
4	1	2785 791	NAME PLATE, Hood Front (15-06-3)
	3	6027 552	Nut
4A	1	3481 840	MOULDING PACKAGE, Hood Front (15-25-2)
5	1	2898 711	MOULDING, Hood Top Rear (15-25-2)
6	1	2893 077	MOULDING, Windshield Outside, Upr. (23-23-65)
	7	6002 688	Retainer
7	1	2933 963	MOULDING PACKAGE, Windshield Outside, Lwr. (23-23-65)
	5	9418 246	Screw
	1	3419 448	MOULDING PACKAGE, Windshield Outside, Lwr. Ctr. and Ends, AFTER Type (23-23-65)
8	1	2933 964-5	MOULDING PACKAGE, Windshield Outside, Side (23-23-65)
	6	2900 275	Spacer
	6	6002 688	Screw
9	1	2933 568-9	MOULDING PACKAGE, Body Frt. Pillar Drain Trough (23-59-61)
	10	6027 459	Screw
10	1	2893 698-9	MOULDING, Frt. Door Wdo. Opng. Frame, Upr. (23-23-32)
11	1	3419 354-5	MOULDING PACKAGE, Roof Side Drain Trough, Frt. (23-59-61)
	4	6024 659	Screw
12	1	2893 700-1	MOULDING, Frt. Door Wdo. Opng. Frame, Rr. (23-23-32)
13	1	2893 700	MOULDING, Rear Door Wdo. Opng. Frame, Frt., Lt. (23-23-33)
	1	2893 701	MOULDING, Rear Door Wdo. Opng. Frame, Frt., Rt.
14	1	2893 722-3	MOULDING, Rear Door Wdo. Opng. Frame, Upr. (23-23-33)
15	1	2933 586-7	MOULDING PACKAGE, Roof Side Drain Trough, Rear (23-59-61)
	6	6024 271	Screw
16	1	2933 494-5	MOULDING PACKAGE, Rear Wdo. Outside, Side & Lwr. (23-23-52)
	16	6002 686	Retainer
17	1	2933 496-7	MOULDING PACKAGE, Rear Wdo. Outside, Upr. (23-23-52)
	8	6002 686	Retainer
18	1	2785 791	NAME PLATE, Deck Lid, "Plymouth" (23-19-114)
	3	6000 960	Clip

REF. NO.	QTY	PART NUMBER	DESCRIPTION
19	1	2902 057	PANEL, Deck Opng. Lwr. Finish and Name Plate (23-23-28)
	8	6024 271	Screw
	6	6002 774	Retainer
	6	-----	Nut
20	1	2933 530	MOULDING PACKAGE, Deck Opng. Lwr. Pnl. (23-23-23)
	6	6002 610	Retainer
21	1	2933 528	MOULDING PACKAGE, Deck Lid (23-23-30)
	6	6024 659	Screw
22	1	2933 730-1	MOULDING PACKAGE, Qtr. Outside (23-23-39)
	2	6002 609	Retainer
	14	6002 633	Retainer
	14	6024 271	Screw
	2	6026 523	Nut
	1	3549 620-1	MOULDING PACKAGE, Qtr. Outside, "Black" (23-23-39)
	7	6002 633	Retainer
	7	6024 271	Screw
	1	6006 209	Retainer
	1	6026 523	Nut
23	1	2933 566-7	MOULDING PACKAGE, Deck Opng. Upr. Pnl., use w/Vinyl Roof and Two Tone Paint (23-23-31)
	9	6002 192	Fastener
	6	6002 320	Retainer
	6	9426 926	Nut
24	1	2933 732-3	MOULDING PACKAGE, Qtr. Outside Whl. Opng., use w/o Skirt (23-23-39)
	12	6024 271	Screw
	1	2933 734-5	MOULDING PACKAGE, Qtr. Whl. Opng. Pnl., w/Skirt
	12	6024 271	Screw
25	1	2933 768-9	MOULDING PACKAGE, Rear Door Outside (23-23-33)
	4	6002 609	Retainer
	12	6002 633	Retainer
	12	6024 271	Screw
	4	6026 523	Nut
	1	3549 618-9	MOULDING PACKAGE, Rear Door Outside, "Black" (23-23-33)
	6	6002 633	Retainer
	6	6024 271	Screw
	2	6006 209	Retainer
	2	6026 523	Nut
26	1	2933 726-7	MOULDING PACKAGE, Frt. Door Outside (23-23-32)
	4	6002 609	Retainer
	6	6002 633	Retainer
	6	6024 271	Screw
	4	6026 523	Nut
	1	3549 616-7	MOULDING PACKAGE, Frt. Door Outside, "Black" (23-23-32)
	8	6024 271	Screw
	8	6002 633	Retainer
	2	6002 209	Retainer
	2	6026 523	Nut
27	1	3549 650-1	MOULDING, Fender Side (Black) (12-15-2)

All Packages Include Attaching Parts
Part Type Code is Indicated in Parentheses

EXTERIOR VIEW - PLYMOUTH FURY III P-M 4 DOOR SEDAN

19a2510B



EXTERIOR VIEW - PLYMOUTH FURY III P-M 2 DOOR HARDTOP

REF. NO.	QTY	PART NUMBER	DESCRIPTION
1	1	2933 724-5	MOULDING PACKAGE, Door Outside (23-23-32)
	4	6002 609	Retainer
	8	6002 633	Retainer
	8	6024 271	Screw
	4	6026 523	Nut
	1	3549 614-5	MOULDING PACKAGE, Door Outside, "Black" (23-23-32)
	10	6002 633	Retainer
	10	6024 271	Screw
2	1	2933 722-3	MOULDING PACKAGE, Door Outside Belt (23-23-32)
	10	6002 782	Retainer and Seal
3	1	2933 728-9	MOULDING PACKAGE, Qtr. Outside (23-23-39)
	2	6002 609	Retainer
	20	6002 633	Retainer
	20	6024 271	Screw
	2	6026 523	Nut
	1	3549 612-3	MOULDING PACKAGE, Qtr. Outside, "Black" (23-23-39)
	10	6024 271	Screw
	10	6002 633	Retainer
4	1	2933 734-5	MOULDING PACKAGE, Qtr. Whl. Opng. Pnl., w/Skirt (23-23-39)
	12	6024 271	Screw
	1	2933 732-3	MOULDING PACKAGE, Qtr. Whl. Opng., w/o Skirt (23-23-39)
	12	6024 271	Screw
5	1	2785 791	NAME PLATE, Deck Lid, "Plymouth" (23-19-114)
	3	6000 960	Clip
6	1	2902 057	PANEL, Deck Opng. Lwr. Finish and Name Plate (23-23-28)
	6	6002 774	Retainer
	8	6024 271	Screw
	6	----	Nut
7	1	2933 530	MOULDING PACKAGE, Deck Opng. Lwr. Pnl. (23-23-23)
	6	6002 610	Retainer
8	1	2933 528	MOULDING PACKAGE, Deck Lid (23-23-30)
	6	6024 659	Screw
9	1	2933 546-7	MOULDING PACKAGE, Rear Wdo. Opng. Lwr. (23-23-52)
	12	6002 686	Retainer and Screw
10	1	2933 544-5	MOULDING PACKAGE, Rear Wdo. Opng. Upr. (23-23-52)
	12	6002 686	Retainer
11	1	3419 026	MOULDING PACKAGE, Deck Opng. Upr. Pnl., use w/Vinyl Roof and Two Tone Paint (23-23-31)
	4	6002 192	Fastener
	3	6002 320	Retainer
	6	9420 867	Nut

REF. NO.	QTY	PART NUMBER	DESCRIPTION
12	1	3419 028-9	MOULDING PACKAGE, Deck Opng. Upr. Pnl., Side, use w/Vinyl Roof and Two Tone Paint, w/o Belt Mldg. (23-23-31)
	6	6002 192	Fastener
	1	3419 030-1	MOULDING PACKAGE, Deck Opng. Upr. Pnl. Side, use w/Vinyl Roof and Two Tone Paint, w/Belt Mldg. (23-23-31)
	6	6002 192	Fastener
	6	6002 320	Retainer
	6	9420 867	Nut
13	1	3419 032-3	MOULDING PACKAGE, Roof Side Drain Trough, Rear Ext. (Not used w/Belt Mldg., Vinyl Roof or Two Tone Paint) (23-59-61)
	2	6027 459	Screw
14	1	2933 626-7	MOULDING and T/PLATE PACKAGE, Qtr. Outside Belt, w/o Vinyl Roof and Two Tone Paint (23-23-39)
	6	6002 782	Retainer and Seal
	2	6027 459	Screw
	1	2933 614-5	MOULDING PACKAGE, Qtr. Outside Belt, use w/Vinyl Roof and Two Tone Paint (23-23-39)
	6	6002 782	Retainer and Seal
	2	6027 177	Screw
	1	2933 624-5	MOULDING PACKAGE, Qtr. Outside Belt to Drip, use w/Vinyl Roof and Two Tone Paint (23-23-39)
	2	6027 177	Screw
15	1	3419 360-1	MOULDING PACKAGE, Roof Side Drain Trough Frt. and Rear (23-59-61)
	4	6024 659	Screw
16	1	2933 602-3	MOULDING PACKAGE, Body Frt. Pillar Drain Trough (23-59-61)
	6	6027 459	Screw
17	1	2933 966-7	MOULDING PACKAGE, Windshield Outside, Side (23-23-65)
	6	2900 275	Spacer
	6	6002 688	Screw
18	1	2933 963	MOULDING PACKAGE, Windshield Outside, Lower (23-23-65)
	5	9418 246	Screw
	1	3419 448	MOULDING PACKAGE, Windshield Outside Lwr. Ctr. and Ends, AFTER Type (23-23-65)

CONTINUED ON NEXT PAGE

All Packages Include Attaching Parts

Part Type Code is Indicated in Parentheses

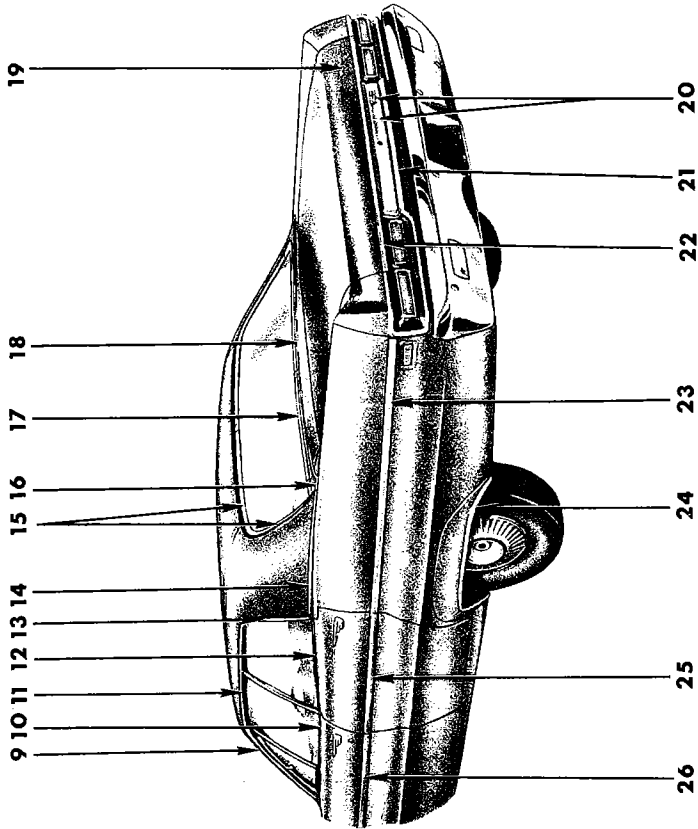
REF. NO.	QTY	PART NUMBER	DESCRIPTION
19	1	2893 077	MOULDING, Windshield Outside, Upr. (23-23-65)
	7	6002 688	Retainer
20	1	2785 791	NAME PLATE, Hood Front (15-06-3)
	3	6027 552	Nut
20A	1	2998 848-9	MOULDING, Fender Front Extension (12-15-2)
21	1	2933 286-7	MOULDING PACKAGE, Fender Whl. Opng. (12-15-2)
	8	6027 413	Screw
22	2	2902 168	NAME PLATE, Fender Side (12-15-21)
	4	6026 935	Nut
	4	6025 963	Screw

REF. NO.	QTY	PART NUMBER	DESCRIPTION
23	1	2933 284-5	MOULDING PACKAGE, Fender Side (12-15-2)
	5	6002 633	Retainer
	2	6002 609	Retainer, w/Seal
	5	6024 271	Screw
24	1	3439 034-5	MOULDING, Windshield Lwr. End (23-23-65)
	2	6024 271	Screw, w/Seal
25	1	3419 482-3	MOULDING PACKAGE, Body Frt. Lwr. Plr. (23-23-14)
	2	6024 271	Screw, w/Seal
26	1	3549 650-1	MOULDING, Fender Side (Black) (12-15-2)
27	1	2898 711	MOULDING, Hood Top Rear (15-25-2)
27A	1	3481 840	MOULDING PACKAGE, Hood Front (15-25-2)

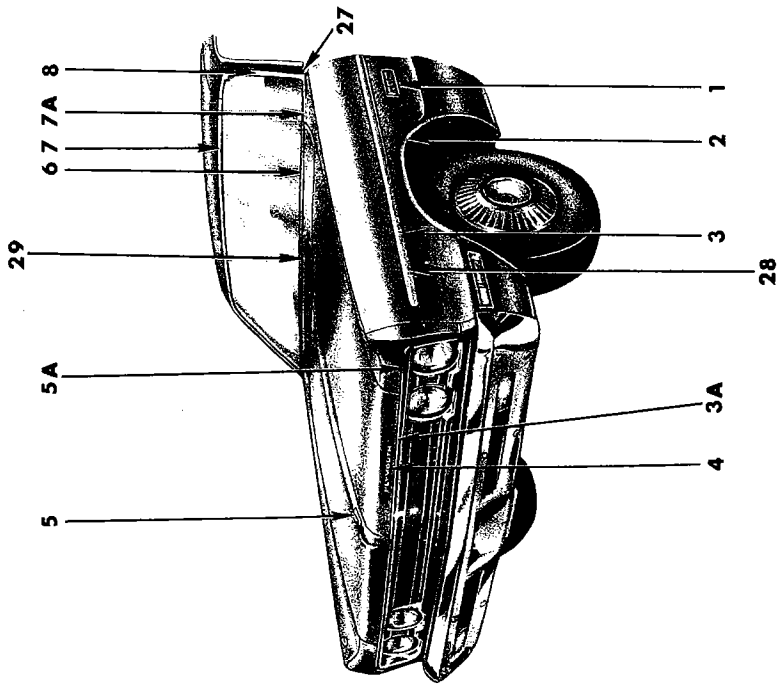
All Packages Include Attaching Parts

Part Type Code is Indicated in Parentheses

19a2400B



FENDER SKIRT 23-34-12



EXTERIOR VIEW - PLYMOUTH FURY III P-M 4 DOOR HARDTOP

REF. NO.	QTY	PART NUMBER	DESCRIPTION
1	2	2902 168	NAME PLATE, Fender Side (12-15-21)
	4	6026 935	Nut
	4	6025 963	Screw
2	1	2933 286-7	MOULDING PACKAGE, Fender Wheel Opening (12-15-2)
	14	6027 413	Screw
3	1	2933 284-5	MOULDING PACKAGE, Fender Side (12-15-2)
	5	6002 633	Retainer
	2	6002 609	Retainer
	5	6024 271	Screw
3A	1	3481 840	MOULDING, Hood Front (15-25-2)
4	1	2785 791	NAME PLATE, Hood Front (15-06-3)
	3	6027 552	Nut
5	1	2785 850	ORNAMENT, Hood Top (Plain) (15-03-18)
	1	2785 861	(318)
	1	2785 865	(383-2 Barrel)
	1	2785 862	(383-4 Barrel)
	1	2785 869	(440)
	1	9420 253	Nut
5A	1	2998 848-9	MOULDING, Fender Front Extension (12-15-2)
6	1	2933 963	MOULDING PACKAGE, Windshield Outside, Lower (23-23-65)
	5	9418 246	Screw
	1	3419 448	MOULDING PACKAGE, Windshield Outside Lwr. Ctr. and Ends, AFTER Type (23-23-65)
7	1	2893 077	MOULDING, Windshield Outside, Upr. (23-23-65)
	7	6002 688	Retainer
7A	1	3439 034-5	MOULDING, Windshield Lwr. End (23-23-65)
	2	6024 271	Screw, w/Seal
8	1	2933 966-7	MOULDING PACKAGE, Windshield Outside, Side (23-23-65)
	6	2900 275	Spacer
	6	6002 688	Screw
9	1	2933 600-1	MOULDING PACKAGE, Body Frt. Pillar Drain Trough (23-59-61)
	6	6027 459	Screw
10	1	2933 764-5	MOULDING PACKAGE, Frt. Door Outside Belt (23-23-32)
	10	6002 782	Retainer and Seal
11	1	3419 356-7	MOULDING PACKAGE, Roof Side Drain Trough, Frt. (23-59-61)
	4	6024 659	Screw
12	1	2933 766-7	MOULDING PACKAGE, Rear Door Outside Belt (23-23-33)
	8	6002 782	Retainer and Seal

REF. NO.	QTY	PART NUMBER	DESCRIPTION
13	1	2933 588-9	MOULDING PACKAGE, Roof Side Drain Trough, Rear (23-59-61)
	4	6027 459	Screw
14	1	3419 044-5	MOULDING PACKAGE, Qtr. Outside Belt, use w/Vinyl Roof and Two Tone Paint (23-23-39)
	8	6002 192	Fastener
	8	6002 330	Retainer
	8	9420 867	Nut
15	1	2933 492-3	MOULDING PACKAGE, Rr. Wdo. Outside, Side and Upr. (23-23-52)
	14	6002 686	Retainer
16	1	2933 578-9	MOULDING PACKAGE, Deck Opng. Upr. Pnl. Qtr. Corner, use w/Vinyl Roof and Two Tone Paint (23-23-31)
	4	6025 985	Screw
17	1	3419 306-7	MOULDING, Rr. Wdo. Outside, Lwr. (23-23-52)
	10	6002 686	Retainer
18	1	2933 570-1	MOULDING PACKAGE, Deck Opng. Upr. Pnl., use w/Vinyl Roof and Two Tone Paint (23-23-31)
	8	6002 192	Fastener
	8	6002 330	Retainer
	8	9420 867	Nut
19	1	2785 791	NAME PLATE, Deck Lid, "Plymouth" (23-19-114)
	3	6000 960	Clip
20	1	2902 057	PANEL, Deck Opng. Lwr. Finish and Name Plate (23-23-28)
21	1	2933 530	MOULDING PACKAGE, Deck Opng. Lwr. Pnl. (23-23-23)
	6	6002 610	Retainer
22	1	2933 528	MOULDING PACKAGE, Deck Lid (23-23-30)
	6	6024 659	Screw
23	1	2933 730-1	MOULDING PACKAGE, Qtr. Outside (23-23-39)
	2	6002 609	Retainer
	14	6002 633	Retainer
	14	6024 271	Screw
	2	6026 523	Nut
	1	3549 620-1	MOULDING PACKAGE, Qtr. Outside, "Black" (23-23-39)
	7	6002 633	Retainer
	7	6024 271	Screw
	1	6006 209	Retainer
	1	6026 523	Nut

CONTINUED ON NEXT PAGE

All Packages Include Attaching Parts

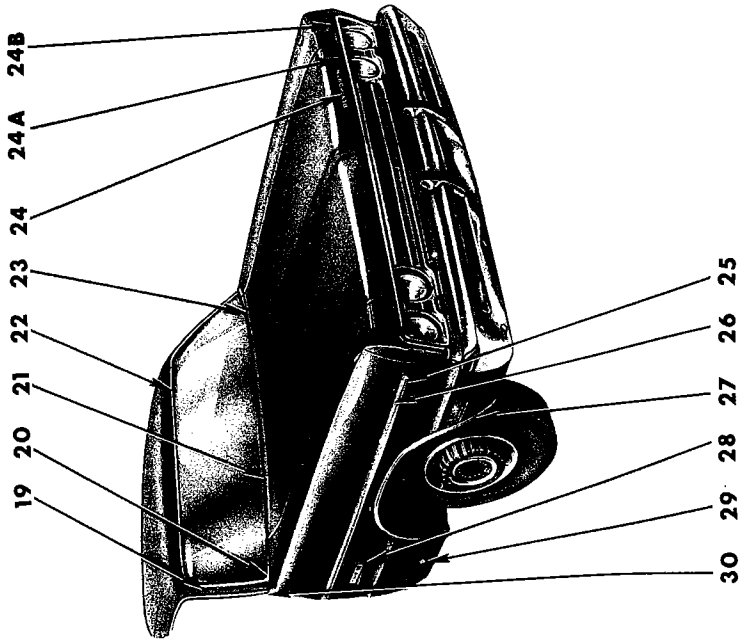
Part Type Code is Indicated in Parentheses

REF. NO.	QTY	PART NUMBER	DESCRIPTION
24	1	2933 732-3	MOULDING PACKAGE, Qtr. Outside Whl. Opng., w/o Skirt (23-23-39)
	12	6024 271	Screw
	1	2933 734-5	MOULDING PACKAGE, Qtr. Wheel Opng. Pnl., w/Skirt (23-23-39)
	12	6024 271	Screw
25	1	2933 768-9	MOULDING PACKAGE, Rear Door Outside (23-23-33)
	4	6002 609	Retainer
	12	6002 633	Retainer
	12	6024 271	Screw
	4	6026 523	Nut
	1	3549 618-9	MOULDING PACKAGE, Rear Door Outside, "Black" (23-23-33)
	6	6002 633	Retainer
	6	6024 271	Screw
	2	6006 209	Retainer
	2	6026 523	Nut

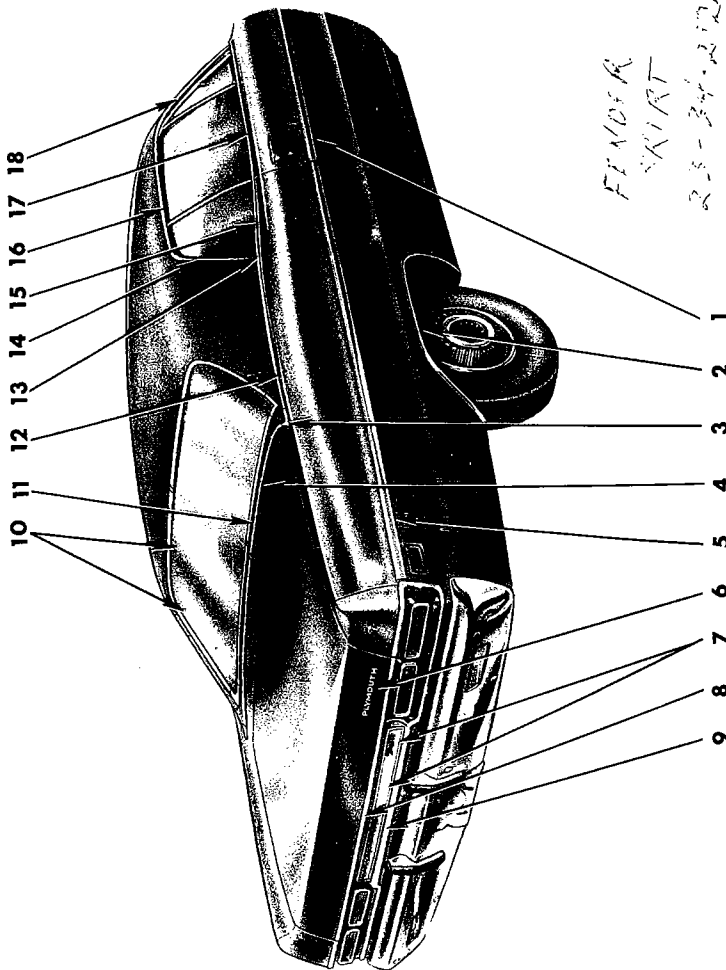
REF. NO.	QTY	PART NUMBER	DESCRIPTION
26	1	2933 726-7	MOULDING PACKAGE, Frt. Door Outside (23-23-32)
	4	6002 609	Retainer
	6	6002 633	Retainer
	6	6024 271	Screw
	4	6026 523	Nut
	1	3549 616-7	MOULDING PACKAGE, Frt. Door Outside, "Black" (23-23-32)
	8	6024 271	Screw
	8	6002 633	Retainer
	2	6002 209	Retainer
	2	6026 523	Nut
27	1	3419 482-3	MOULDING PACKAGE, Body Frt. Lwr. Pillar (23-23-14)
	2	6024 271	Screw, w/Seal
28	1	3549 650-1	MOULDING, Fender Side (Black) (12-15-2)
29	1	2898 711	MOULDING, Hood Top Rear (15-25-2)

All Packages Include Attaching Parts

Part Type Code is Indicated in Parentheses



19a2784 A



EXTERIOR VIEW - PLYMOUTH FURY III P-M FAST BACK

REF. NO.	QTY	PART NUMBER	DESCRIPTION
1	1	2933 724-5	MOULDING PACKAGE, Door Outside (23-23-32)
	4	6002 609	Retainer 8 6024 271 Screw
	8	6002 633	Retainer 4 6026 523 Nut
	1	3549 614-5	MOULDING PACKAGE, Door Outside, "Black" (23-23-32)
	10	6002 633	Retainer
	10	6024 271	Screw
2	1	2933 734-5	MOULDING PACKAGE, Qtr. Wheel Opng. Pnl. , w/Skirt (23-23-39)
	12	6024 271	Screw
	1	2933 732-3	MOULDING PACKAGE, Qtr. Whl. Opng. , w/o Skirt (23-23-39)
	12	6024 271	Screw
3	1	2933 578-9	MOULDING PACKAGE, Deck Opng. Upr. Pnl. Outer Corner, use w/Vinyl Roof and Two Tone Paint (23-23-31)
	4	6025 985	Screw
4	1	2933 570-1	MOULDING PACKAGE, Deck Opng. Upr. Pnl. , use w/Vinyl Roof and Two Tone Paint (23-23-31)
	8	6002 192	Fastener
	8	6002 330	Retainer
	8	9420 867	Nut
5	1	2933 728-9	MOULDING PACKAGE, Qtr. Outside (23-23-39)
	2	6002 609	Retainer 20 6024 271 Screw
	20	6002 633	Retainer 2 6026 523 Nut
	1	3549 612-3	MOULDING PACKAGE, Qtr. Outside, "Black" (23-23-39)
	10	6024 271	Screw
	10	6002 633	Retainer
6	1	2785 791	NAME PLATE, Deck Lid, "Plymouth" (23-19-114)
	3	6000 960	Clip
7	1	2902 057	PANEL, Deck Opng. Lwr. Finish and Name Plate (23-23-28)
	6	6002 774	Retainer
	8	6024 271	Screw
8	1	2933 528	MOULDING PACKAGE, Deck Lid (23-23-30)
	6	6024 659	Screw
9	1	2933 530	MOULDING PACKAGE, Deck Opng. Lwr. Pnl. (23-23-23)
	6	6002 610	Retainer
10	1	2933 492-3	MOULDING PACKAGE, Rear Wdo. Outside, Side and Upr. (23-23-52)
	14	6002 686	Retainer
11	1	3419 306-7	MOULDING PACKAGE, Rear Wdo. Outside, Lwr. (23-23-52)
	10	6002 686	Retainer
12	1	2933 894-5	MOULDING PACKAGE, Qtr. Outside Belt, use w/Vinyl Roof and Two Tone Paint (23-23-39)
	8	6002 192	Retainer
	6	6002 330	Retainer
	6	9420 867	Nut

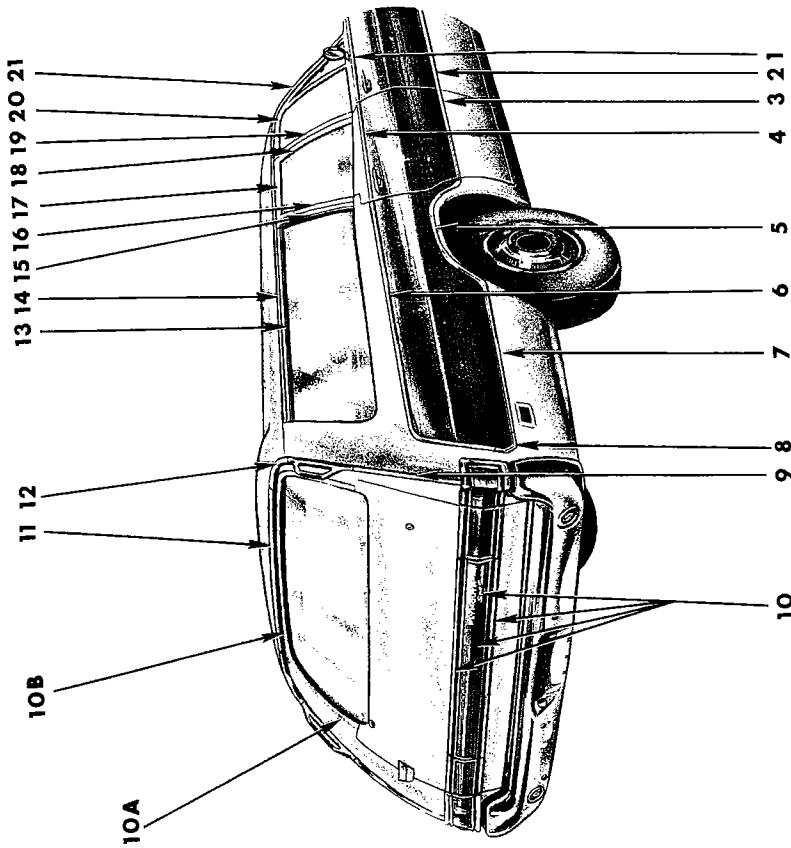
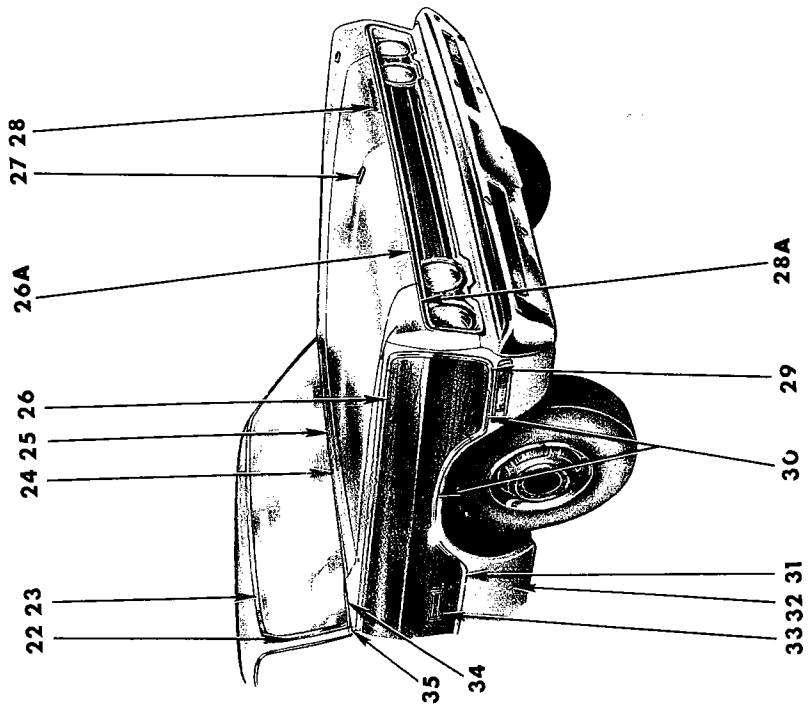
REF. NO.	QTY	PART NUMBER	DESCRIPTION
13	1	3419 414-5	MOULDING PACKAGE, Qtr. Outside Belt to Drain Trough (23-23-39)
	4	9416 166	Screw
14	1	2933 590-1	MOULDING PACKAGE, Roof Side Drain Trough, Rear (23-59-61)
	4	6027 459	Screw
15	1	2933 614-5	MOULDING PACKAGE, Qtr. Outside Belt (23-23-39)
	6	6002 782	Retainer and Seal
	2	6027 177	Screw
16	1	#3419 356-7	MOULDING PACKAGE, Roof Side Drain Trough, Front (23-59-61)
	4	6024 659	Screw
17	1	2933 722-3	MOULDING PACKAGE, Door Outside Belt (23-23-32)
	10	6002 782	Retainer and Seal
18	1	2933 600-1	MOULDING PACKAGE, Body Frt. Pillar Drain Trough (23-59-61)
	6	6027 459	Screw
19	1	2933 966-7	MOULDING PACKAGE, Windshield Outside Side, (23-23-65)
	6	2900 275	Spacer
	6	6002 688	Screw
20	1	3439 034-5	MOULDING, Windshield Lwr. End (23-23-65)
	2	6024 271	Screw, w/Seal
21	1	2933 963	MOULDING PACKAGE, Windshield Outside Lwr. (23-23-65)
	5	9418 246	Screw
	1	3419 448	MOULDING PACKAGE, Windshield Outside Lwr. Ctr. and Ends, After Type (23-23-65)
22	1	2893 077	MOULDING, Windshield Outside Upr. (23-23-65)
	7	6002 688	Retainer
23	1	2898 711	MOULDING, Hood Top Rear (15-25-2)
24	1	2785 791	NAME PLATE, Hood (15-06-3)
	3	6027 552	Nut
24A	1	3581 840	MOULDING PACKAGE, Hood Front (15-25-2)
24B	1	2998 848-9	MOULDING, Fender Front Extension (12-15-2)
25	1	3549 650-1	MOULDING, Fender Side (12-15-2)
26	1	2933 284-5	MOULDING PACKAGE, Fender Side (12-15-2)
	2	6002 609	Retainer, w/Seal
	5	6002 633	Retainer 5 6024 271 Screw
27	1	2933 286-7	MOULDING PACKAGE, Fender Whl. Opng. (12-15-2)
	7	6027 413	Screw
28	2	2902 168	NAME PLATE, Fender Side (12-15-21)
	4	6025 963	Screw 4 6026 935 Nut
29	1	2785 540	MEDALLION, Fender Side (12-15-21)
	1	6026 404	Nut
30	1	3419 482-3	MOULDING PACKAGE, Body Frt. Lwr. Pillar (23-23-14)
	2	6024 271	Screw, w/Seal

All Packages Include Attaching Parts

Part Type Code is Indicated in Parentheses

EXTERIOR VIEW - PLYMOUTH FURY III P-M FAST BACK

19a2585B



EXTERIOR VIEW - PLYMOUTH FURY III P-M SPORT SUBURBAN

REF. NO.	QTY	PART NUMBER	DESCRIPTION
1	1	2933 776-7	MOULDING PACKAGE, Frt. Door, Upr. (23-23-32)
	2	6002 280	Retainer
	2	6026 523	Nut
2	1	2933 780-1	MOULDING PACKAGE, Frt. Door, Lwr. (23-23-32)
	4	6002 280	Retainer
	6	6002 599	Retainer
	4	6026 523	Nut
3	1	2933 778-9	MOULDING PACKAGE, Rear Door, Lwr. (23-23-33)
	4	6002 280	Retainer
	6	6002 599	Retainer
	4	6026 523	Nut
4	1	2933 782-3	MOULDING PACKAGE, Rear Door, Upr. (23-23-33)
	4	6002 280	Retainer
	6	6002 599	Retainer
	4	6026 523	Nut
5	1	2933 790-1	MOULDING and T/PLATE PACKAGE, Qtr. Outside Lwr. Frt. and Whl. Opng. (23-23-39)
	10	6002 599	Retainer
6	1	2933 788	MOULDING PACKAGE, Qtr. Outside, Upr., Rt. (23-23-39)
	9	6002 773	Retainer Stud & Seal
	1	2933 787	MOULDING PACKAGE, Qtr. Outside, Upr., Lt. (23-23-39)
	5	6002 599	Retainer
	1	2933 789	MOULDING PACKAGE, Qtr. Pnl. Fuel Filler Door, Lt. (23-23-39)
	2	6002 280	Retainer
	2	6026 523	Nut
	1	2933 786	MOULDING PACKAGE, Qtr. Outside, Rear, Lt. (23-23-39)
	2	6002 599	Retainer
7	1	2933 784-5	MOULDING PACKAGE, Qtr. Outside, Lwr. Rear (23-23-39)
	8	6002 599	Retainer
8	1	2933 792-3	MOULDING PACKAGE, Qtr. Outside, Rear Lwr. Corner (23-23-39)
	4	6027 177	Screw
9	1	2933 622-3	MOULDING PACKAGE, Qtr. Pnl. Outside Tailgate Pillar, use w/o Assist Handle, UP TO Type (23-23-60)
	8	6002 665	Spacer
	1	2933 618-9	MOULDING PACKAGE, Qtr. Pnl. Outside Tailgate Pillar, Upr., Short, use w/Assist Handle, UP TO Type (23-23-60)
	4	6002 665	Spacer
	1	3440 476-7	MOULDING, Qtr. Pnl. Outside Tailgate Plr., Upr., w/o Assist Handles, AFTER Type (23-23-60)
	1	3440 478-9	MOULDING, Qtr. Pnl. Outside Tailgate Plr., Upr., Short, w/Assist Handles, AFTER Type (23-23-60)
10	1	2902 112	PANEL and NAME PLATE, Tailgate Outside Finish (23-23-77)
	5	6002 781	Retainer 5 6023 247 Screw

REF. NO.	QTY	PART NUMBER	DESCRIPTION
10A	1	2894 442-3	MOULDING, Qtr. Pnl. Outside Tailgate Pillar Upr. Tailgate Opng., Prime (23-23-60)
10B	1	2894 445	MOULDING, Roof Pnl. Outside Tailgate Opng. Upr., Prime (23-23-60)
11	1	2894 418	MOULDING, Roof Rear Air Deflector, Ctr. (23-23-60)
12	1	2894 416-7	MOULDING, Roof Rear Air Deflector, End (23-23-60)
13	1	2893 258-9	MOULDING, Qtr. Wdo. Outside, Upr., Prime (23-23-73)
	1	2894 872-3	MOULDING, Qtr. Wdo. Outside, Upr., Finish (23-23-73)
14	1	2902 390-1	MOULDING, Roof Side Drain Trough (23-59-61)
15	1	2893 256-7	MOULDING, Qtr. Wdo. Outside, Frt., Prime (23-23-73)
	1	2894 870-1	MOULDING, Qtr. Wdo. Outside, Frt., Finish (23-23-73)
16	1	2893 728-9	MOULDING, Rear Door Wdo. Opng. Frame, Rr. (23-23-33)
17	1	2893 724-5	MOULDING, Rear Door Wdo. Opng. Frame, Upr. (23-23-33)
18	1	2893 700	MOULDING, Rear Door Wdo. Opng. Frame, Frt., Lt. (23-23-33)
	1	2893 701	MOULDING, Rear Door Wdo. Opng. Frame, Frt., Rt.
19	1	2893 700-1	MOULDING, Frt. Door Wdo. Opng. Frame, Rr. (23-23-32)
20	1	2893 698-9	MOULDING, Frt. Door Wdo. Opng. Frame, Upr. (23-23-32)
21	1	2933 568-9	MOULDING PACKAGE, Body Frt. Pillar Drain Trough (23-59-61)
	10	6027 459	Screw
22	1	2933 964-5	MOULDING PACKAGE, Windshield Outside, Side (23-23-65)
	6	2900 275	Spacer
	6	6002 688	Screw
23	1	2893 077	MOULDING, Windshield Outside, Upr. (23-23-65)
	7	6002 688	Retainer
24	1	2933 963	MOULDING PACKAGE, Windshield Outside, Lwr. (23-23-65)
	1	3419 448	MOULDING PACKAGE, Windshield Outside Lwr. Ctr. and Ends, AFTER Type (23-23-65)
	5	9418 246	Screw
25	1	2898 711	MOULDING, Hood Top Rear (15-25-2)
26	1	2933 290-1	MOULDING PACKAGE, Fender Side Upper (12-15-2)
	7	6002 513	Retainer

CONTINUED ON NEXT PAGE

**All Packages Include Attaching Parts
Part Type Code is Indicated in Parentheses**

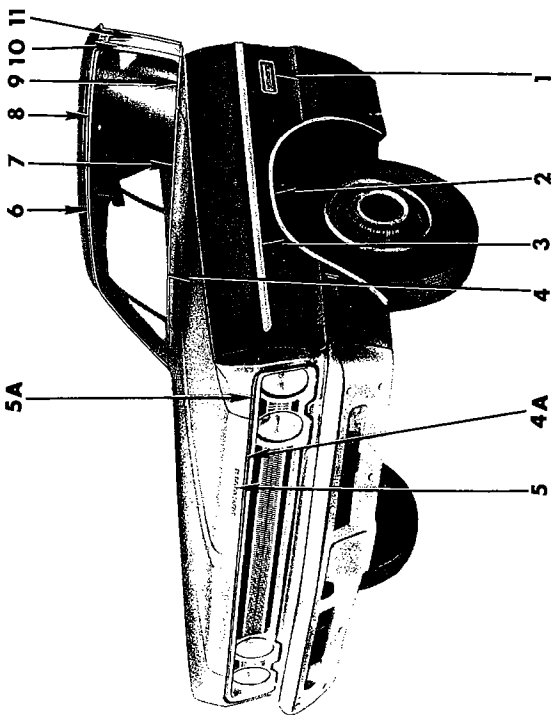
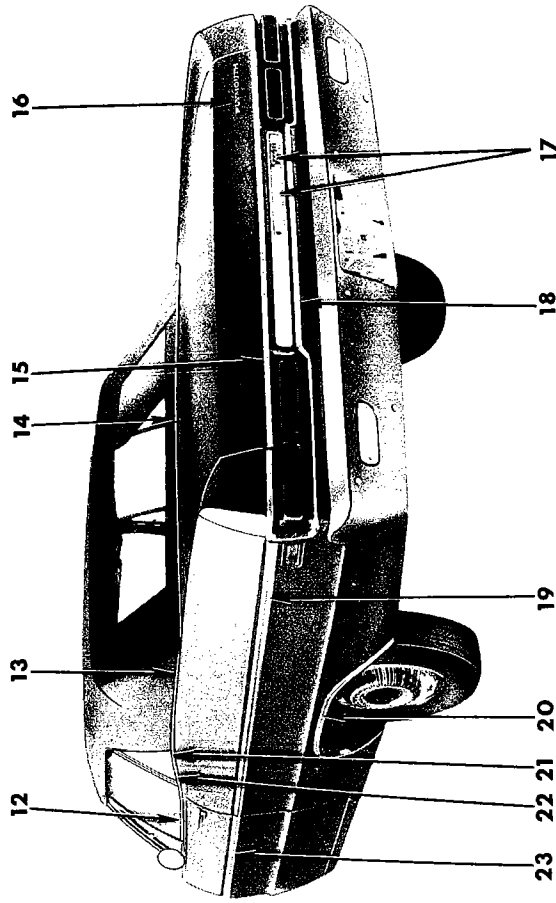
EXTERIOR VIEW - PLYMOUTH FURY III P-M SPORT SUBURBAN

REF. NO.	QTY	PART NUMBER	DESCRIPTION
26A	1	3481 840	MOULDING PACKAGE, Hood Front (15-25-2)
27	1	2785 865	ORNAMENT, Hood Top (383-2 Barrel) (15-03-18)
	1	2785 862	(383-4 Barrel)
	1	2785 869	(440)
	1	9420 253	Nut
28	1	2785 791	NAME PLATE, Hood Front (15-06-3)
	3	6027 552	Nut
28A	1	2898 848-9	MOULDING, Fender Front Extension (12-15-2)
29	1	2933 288-9	MOULDING PACKAGE, Fender Side Front (12-15-2)
	2	6027 316	Nut
	2	6025 456	Washer
	4	6027 177	Screw
30	1	2933 292-3	MOULDING PACKAGE, Fender Frt. Lwr. and Whl. Opng. (12-15-2)
	7	6002 599	Retainer
31	1	2933 294-5	MOULDING PACKAGE, Fender Side Rear (12-15-2)
	6	6002 513	Retainer

REF. NO.	QTY	PART NUMBER	DESCRIPTION
32	1	2785 540	MEDALLION, Fender Side (Pentastar) (12-15-21)
	1	6026 404	Nut
33	2	2902 170	NAME PLATE, Fender Side (Sport Suburban) (12-15-21)
	4	6025 963	Screw
	4	6026 935	Nut
34	1	3439 034-5	MOULDING, Windshield Lwr. End (23-23-65)
	2	6024 271	Screw w/Seal
35	1	3419 482-3	MOULDING PACKAGE, Body Frt. Lwr. Pillar (23-23-14)
	2	6024 271	Screw w/Seal

All Packages Include Attaching Parts

Part Type Code is Indicated in Parentheses



19a2662A

EXTERIOR VIEW - PLYMOUTH FURY III P-M CONVERTIBLE COUPE

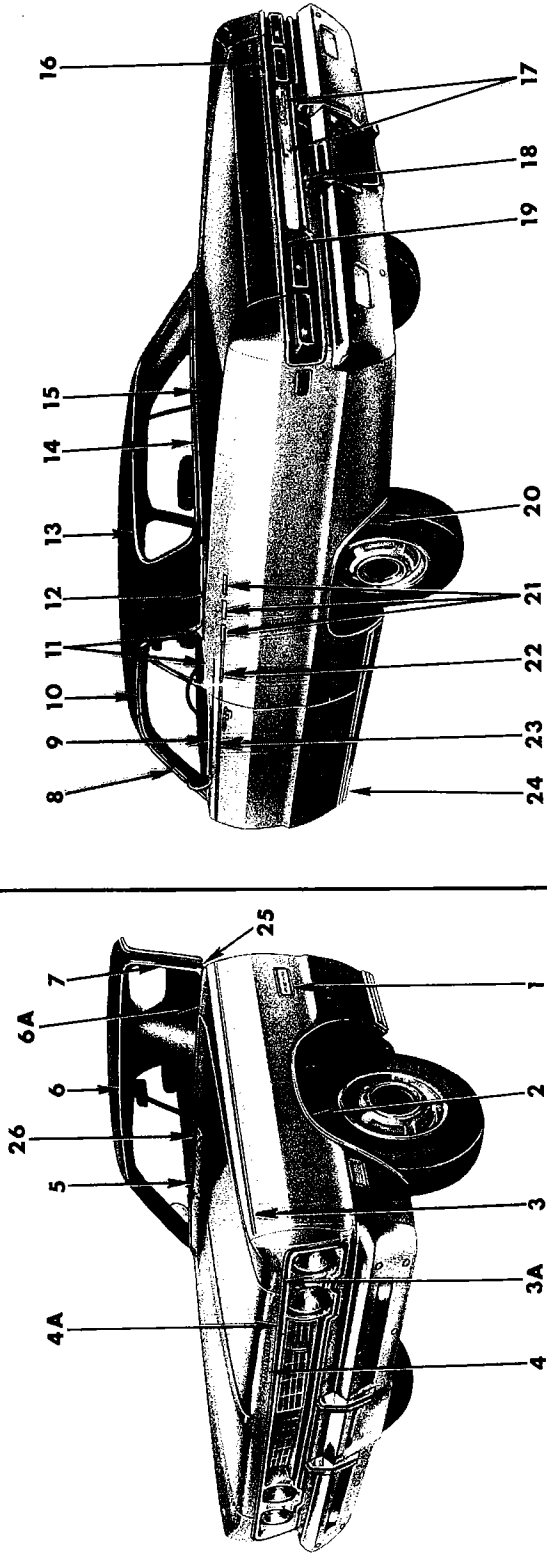
REF. NO.	QTY	PART NUMBER	DESCRIPTION	REF. NO.	QTY	PART NUMBER	DESCRIPTION
1	2	2902 168	NAME PLATE, Fender Side (12-15-21)	16	1	2785 791	NAME PLATE, Deck Lid, "Plymouth" (23-19-114)
	4	6026 935	Nut		3	6000 960	Clip
	4	6025 963	Screw	17	1	2902 057	PANEL, Deck Opng. Lwr. Finish and Name Plate (23-23-28)
2	1	2933 286-7	MOULDING PACKAGE, Fender Wheel Opening (12-15-2)		8	6024 271	Screw
	7	6027 413	Screw		6	6002 774	Retainer
3	1	2933 284-5	MOULDING PACKAGE, Fender Side (12-15-2)		6	---- ---	Nut
	5	6002 633	Retainer	18	1	2933 530	MOULDING PACKAGE, Deck Opng. Lwr. Pnl. (23-23-23)
	2	6002 609	Retainer, w/Seal		6	6002 610	Retainer
	5	6024 271	Screw	19	1	2933 728-9	MOULDING PACKAGE, Qtr. Outside (23-23-39)
4	1	2898 711	MOULDING, Hood Top Rear (15-25-2)		2	6002 609	Retainer
4A	1	3481 840	MOULDING PACKAGE, Hood Front (12-15-2)		20	6002 633	Retainer
					20	6024 271	Screw
5	1	2785 791	NAME PLATE, Hood Front (15-06-3)		2	6026 523	Nut
	3	6027 552	Nut		1	3549 612-3	MOULDING PACKAGE, Qtr. Outside, "Black" (23-23-39)
5A	1	2998 848-9	MOULDING, Fender Front Extension (12-15-2)		10	6024 271	Screw
					10	6002 633	Retainer
6	1	2902 536-7	MOULDING, Windshield Outside Upr. Header (23-23-65)	20	1	2933 732-3	MOULDING PACKAGE, Qtr. Outside Wheel Opng., w/o Skirt (23-23-39)
	7	6025 792	Screw		1	2933 734-5	MOULDING PACKAGE, Qtr. Wheel Opng. Pnl., w/Skirt (23-23-39)
7	1	2933 963	MOULDING PACKAGE, Windshield Outside, Lower (23-23-65)		12	6024 271	Screw
	5	9418 246	Screw	21	1	3419 042-3	MOULDING PACKAGE, Qtr. Outside Belt, Intermediate (23-23-39)
	1	3419 448	MOULDING PACKAGE, Windshield Outside, Lwr. Ctr. and End, AFTER Type (23-23-65)		2	6002 606	Retainer
8	1	2893 077	MOULDING, Windshield Outside, Upr. (23-23-65)		2	6026 523	Nut
	7	6002 688	Retainer	22	1	2933 754-5	MOULDING PACKAGE, Qtr. Outside Belt, Frt. (23-23-39)
9	1	3439 034-5	MOULDING, Windshield Lwr. End (23-23-65)		6	6002 782	Retainer and Seal
10	1	2933 966-7	MOULDING PACKAGE, Windshield Outside, Side (23-23-65)	23	1	2933 724-5	MOULDING PACKAGE, Door Outside (23-23-32)
	6	2900 275	Spacer		4	6002 609	Retainer
	6	6002 688	Screw		8	6002 633	Retainer
11	1	2901 018-9	MOULDING, Body Frt. Upper Pillar Outside (23-23-14)		8	6024 271	Screw
					4	6026 523	Nut
12	1	2933 722-3	MOULDING PACKAGE, Door Outside Belt (23-23-32)		1	3549 614-5	MOULDING PACKAGE, Door Outside, "Black" (23-23-32)
	10	6002 782	Retainer and Seal		10	6002 633	Retainer
13	1	2933 756-7	MOULDING PACKAGE, Qtr. Outside Belt, Rr. (23-23-39)		10	6024 271	Screw
	24	9428 567	Screw				
14	1	2901 178	COVER, Qtr. Outside Belt Rear Mldg. Joint (23-23-41)				
15	1	2933 528	MOULDING PACKAGE, Deck Lid (23-23-30)				
	6	6024 659	Screw				

All Packages Include Attaching Parts

Part Type Code is Indicated in Parentheses

EXTERIOR VIEW - PLYMOUTH FURY III P-M CONVERTIBLE COUPE

19a2493 B



EXTERIOR VIEW - PLYMOUTH SPORT FURY P-H 2 DOOR HARDTOP

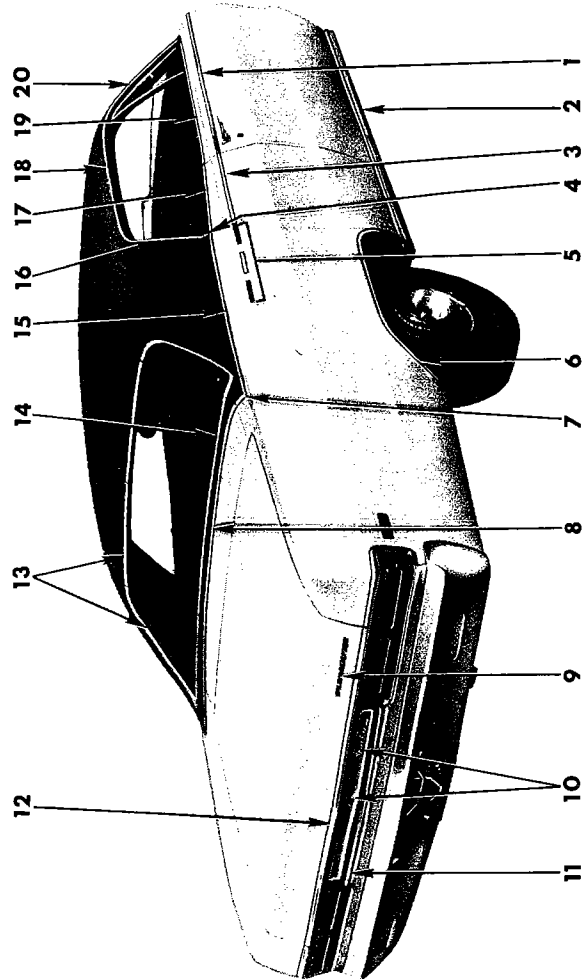
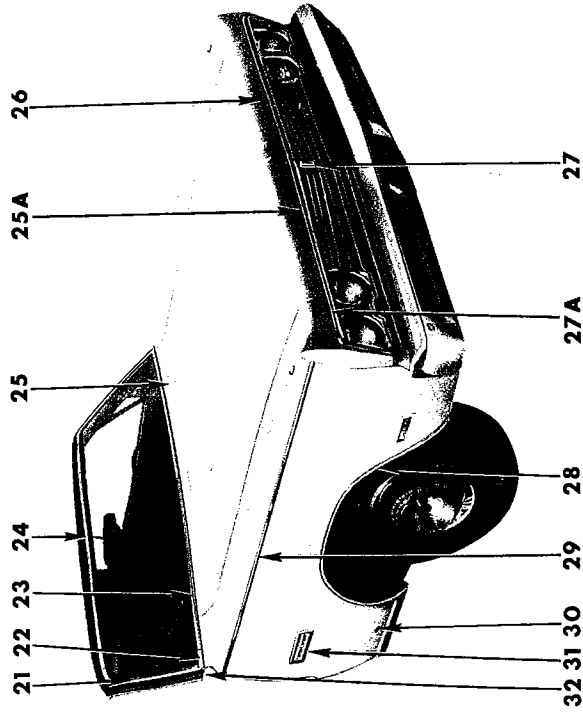
REF. NO.	QTY	PART NUMBER	DESCRIPTION	REF. NO.	QTY	PART NUMBER	DESCRIPTION
1	2	2902 171	NAME PLATE, Fender Side (12-15-21)	12	1	3419 030-1	MOULDING PACKAGE, Deck Opng. Upr. Pnl. Side, use w/Vinyl Roof and Two Tone Paint (23-23-31)
	4	6026 935	Nut		6	6002 192	Fastener
	4	6025 963	Screw		6	6002 320	Retainer
2	1	2933 286-7	MOULDING PACKAGE, Fender Wheel Opening (12-15-2)		6	9420 867	Nut
	14	6027 413	Screw	13	1	2933 544-5	MOULDING PACKAGE, Rear Wdo. Opng. Upr. (23-23-52)
3	2	2964 075	TAPE, Fender Side Stripe, "White" (12-15-33)		12	6002 686	Retainer and Screw
	2	2964 076	"Black"	14	1	2933 546-7	MOULDING PACKAGE, Rear Wdo. Opng., Lwr. (23-23-52)
	2	2964 077	"Green"		12	6002 686	Retainer and Screw
	2	2964 078	"Red"	15	1	3419 026	MOULDING PACKAGE, Deck Opng. Upr. Pnl., use w/Vinyl Roof and Two Tone Paint (23-23-31)
	2	2964 079	"Blue"		4	6002 192	Fastener
3A	1	2998 848-9	MOULDING, Fender Front Extension (12-15-2)		3	6002 320	Retainer
4	1	2785 791	NAME PLATE, Hood Front (15-06-3)		6	9420 867	Nut
	3	6027 552	Nut	16	1	2785 791	NAME PLATE, Deck Lid, "Plymouth" (23-19-114)
4A	1	3481 840	MOULDING PACKAGE, Hood Front (15-25-2)		3	6000 960	Clip
5	1	2933 963	MOULDING PACKAGE, Windshield Outside, Lwr. (23-23-65)	17	1	2902 062	PANEL, Deck Opng. Lwr. Finish and Name Plate (23-23-28)
	1	3419 448	MOULDING PACKAGE, Windshield Outside Lwr. Ctr. and Ends, AFTER Type (23-23-65)		8	6024 271	Screw
	5	9418 246	Screw	18	1	2933 530	MOULDING PACKAGE, Deck Opng. Lwr. Pnl. (23-23-23)
6	1	2893 077	MOULDING, Windshield Outside, Upr. (23-23-65)		6	6002 610	Retainer
	7	6002 688	Retainer	19	1	2933 528	MOULDING PACKAGE, Deck Lid (23-23-30)
6A	1	3439 034-5	MOULDING, Windshield Lwr. End (23-23-65)		6	6024 659	Screw
	2	6024 271	Screw, w/Seal	20	1	2933 732-3	MOULDING PACKAGE, Qtr. Outside Wheel Opng., w/o Skirt (23-23-39)
7	1	2933 966-7	MOULDING PACKAGE, Windshield Outside, Side (23-23-65)		12	6024 271	Screw
	6	2900 275	Spacer	21	2	2964 562	ORNAMENT, Qtr. Outside Panel, "Red" (23-34-334)
	6	6002 688	Screw		2	2964 563	"White"
8	1	2933 602-3	MOULDING PACKAGE, Body Frt. Pillar Drain Trough (23-59-61)		2	2964 564	"Blue"
	6	6027 459	Screw	22	2	2964 075	TAPE, Qtr. Pnl. Stripe, "White" (23-23-12)
9	1	2933 722-3	MOULDING PACKAGE, Door Outside Belt (23-23-32)		2	2964 076	"Black"
	10	6002 782	Retainer and Seal		2	2964 077	"Green"
10	1	3419 360-1	MOULDING PACKAGE, Roof Side Drain Trough, Frt. and Rear (23-59-61)		2	2964 078	"Red"
	4	6024 659	Screw		2	2964 079	"Blue"
11	1	2933 626-7	MOULDING and T/PLATE PACKAGE, Qtr. Outside Belt, w/o Vinyl Roof and Two Tone Paint (23-23-39)	23	2	2964 075	TAPE, Door Outside Stripe, "White" (23-23-12)
	6	6002 782	Retainer and Seal		2	2964 076	"Black"
	2	6027 459	Screw		2	2964 077	"Green"
	1	2933 614-5	MOULDING PACKAGE, Qtr. Outside Belt, use w/Vinyl Roof and Two Tone Paint (23-23-39)		2	2964 078	"Red"
	6	6002 782	Retainer and Seal		2	2964 079	"Blue"
	2	6027 177	Screw	24	1	2933 752-3	MOULDING PACKAGE, Body Side Sill (23-23-2)
	1	2933 624-5	MOULDING PACKAGE, Qtr. Outside Belt to Drip, use w/Vinyl Roof and Two Tone Paint (23-23-39)		18	6002 601	Retainer
	2	6027 177	Screw		18	6024 271	Screw
	2	6027 177	Screw	25	1	3419 482-3	MOULDING PACKAGE, Body Frt. Lwr. Pillar (23-23-14)
	2	6027 177	Screw		2	6024 271	Screw, w/Seal
	2	6027 177	Screw	26	1	2898 857	MOULDING, Hood Top Rear (15-25-2)

All Packages Include Attaching Parts

Part Type Code is Indicated in Parentheses

EXTERIOR VIEW - PLYMOUTH SPORT FURY P-H 2 DOOR HARDTOP

19a2785A



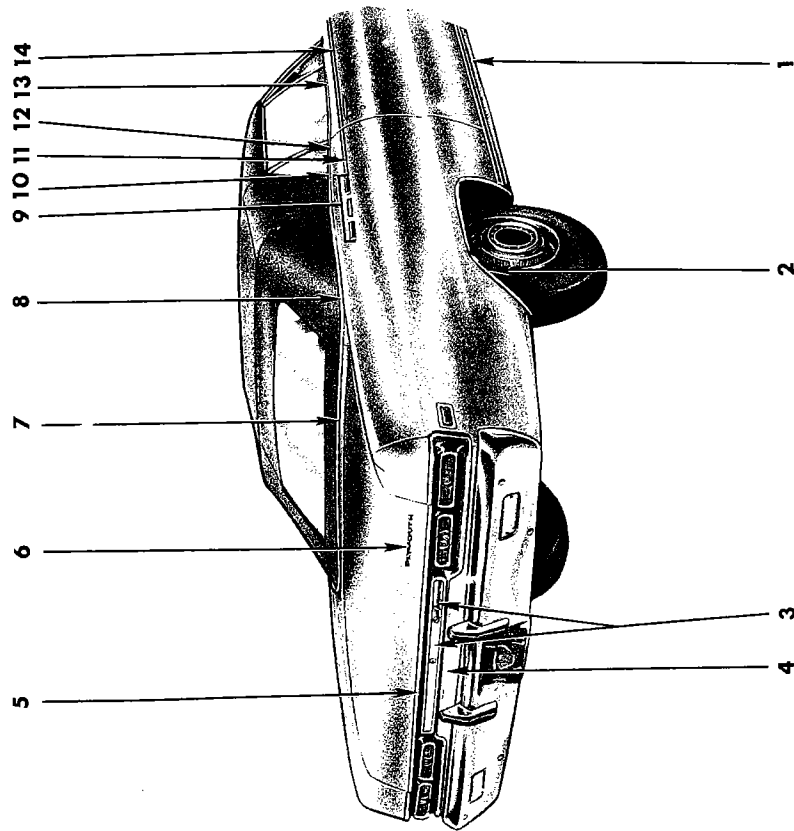
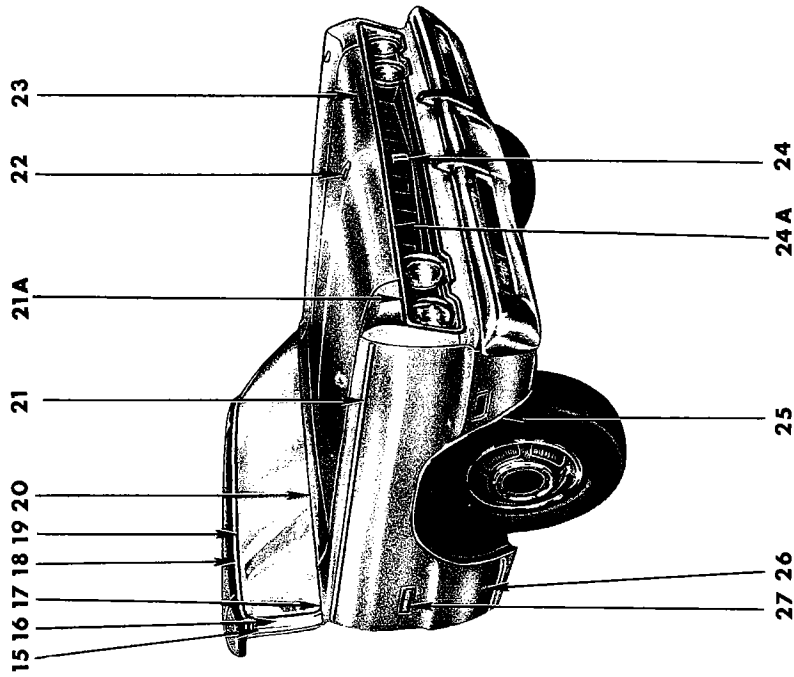
EXTERIOR VIEW - PLYMOUTH SPORT FURY P-H FAST BACK

REF. NO.	QTY	PART NUMBER	DESCRIPTION	REF. NO.	QTY	PART NUMBER	DESCRIPTION
1	2	2964 075	TAPE, Door Side Stripe, "White" (23-23-12)	16	1	2933 590-1	MOULDING PACKAGE, Roof Side Drain Trough, Rear (23-59-61)
	2	2964 076	"Black" 2 2964 078 "Red"		4	6027 459	Screw
	2	2964 077	"Green" 2 2964 079 "Blue"	17	1	2933 614-5	MOULDING PACKAGE, Qtr. Outside Belt (23-23-39)
2	1	2933 752-3	MOULDING PACKAGE, Body Side Sill (23-23-2)	6	6002 782	Retainer & Seal	
	18	6002 601	Retainer 18 6024 271 Screw	2	6027 177	Screw	
3	2	2964 075	TAPE, Qtr. Side Stripe, "White" (23-23-12)	18	1	#3419 356-7	MOULDING PACKAGE, Roof Side Drain Trough, Front (23-59-61)
	2	2964 076	"Black" 2 2964 078 "Red"	4	6024 659	Screw	
	2	2964 077	"Green" 2 2964 079 "Blue"	19	1	2933 722-3	MOULDING PACKAGE, Door Outside Belt (23-23-32)
4	1	3419 414-5	MOULDING PACKAGE, Qtr. Outside Belt to Drain Trough (23-23-39)	10	6002 782	Retainer & Seal	
	4	9416 166	Screw	20	1	2933 600-1	MOULDING PACKAGE, Body Frt. Pillar Drain Trough (23-59-61)
5	2	2964 562	ORNAMENT, Qtr. Outside Panel, "Red" (23-34-334)	6	6027 459	Screw	
	2	2964 563	"White"	21	1	2933 966-7	MOULDING PACKAGE, Windshield Outside, Side (23-23-65)
	2	2964 564	"Blue"	6	6002 688	Screw 6 2900 275 Spacer	
6	1	2933 732-3	MOULDING PACKAGE, Qtr. Outside Whl. Opng., use w/o Skirt (23-23-39)	22	1	3439 034-5	MOULDING, Windshield Lwr. End (23-23-65)
	12	6024 271	Screw	2	6024 271	Screw w/Seal	
	1	2933 736-7	MOULDING PACKAGE, Qtr. Outside Whl. Opng. Pnl., Rr., use w/Skirt (23-23-39)	23	1	2933 963	MOULDING PACKAGE, Windshield Outside, Lwr. (23-23-65)
	1	2933 738-9	MOULDING PACKAGE, Qtr. Outside Whl. Opng. Pnl., Frt., use w/Skirt (23-23-39)	5	9418 246	Screw	
	2	6024 271	Screw	1	3419 448	MOULDING PACKAGE, Windshield Outside, Lwr. Ctr. and Ends, AFTER Type (23-23-65)	
7	1	2933 578-9	MOULDING PACKAGE, Deck Opng. Upr. Pnl. Outer Corner, use w/Vinyl Roof & Two Tone Paint (23-23-39)	24	1	2893 077	MOULDING, Windshield Outside, Upr. (23-23-65)
	4	6025 985	Screw	7	6002 688	Retainer	
8	1	2933 570-1	MOULDING PACKAGE, Deck Opng. Upr. Pnl., use w/Vinyl Roof & Two Tone Paint (23-23-31)	25	1	2898 711	MOULDING, Hood Top Rear (15-25-2)
	8	6002 192	Fastener	25A	1	3481 840	MOULDING PACKAGE, Hood Front (15-25-2)
	8	6002 330	Retainer 8 9420 867 Nut	26	1	2785 791	NAME PLATE, Hood (15-06-3)
9	1	2785 791	NAME PLATE, Deck Lid, "Plymouth" (23-19-114)	3	6027 552	Nut	
	3	6000 960	Clip	27	1	2898 362	MEDALLION, Radiator Grille (7-17-1)
10	1	2902 057	PANEL, Deck Opng. Lwr. Finish and Name Plate (23-23-28)	27A	1	2998 848-9	MOULDING, Fender Front Extension (12-15-2)
	6	6002 774	Retainer 8 6024 271 Screw	28	1	2933 286-7	MOULDING PACKAGE, Fender Whl. Opng. (12-15-2)
11	1	2933 530	MOULDING PACKAGE, Deck Opng. Lwr. Pnl. (23-23-23)	7	6027 413	Screw	
	6	6002 610	Retainer	29	2	2964 075	TAPE, Fender Side Stripe, "White" (12-15-33)
12	1	2933 528	MOULDING PACKAGE, Deck Lid (23-23-30)	2	2964 076	"Black" 2 2964 078 "Red"	
	6	6024 659	Screw	2	2964 077	"Green" 2 2964 079 "Blue"	
13	1	2933 492-3	MOULDING PACKAGE, Rr. Wdo. Outside, Side & Upr. (23-23-52)	30	1	2785 540	MEDALLION, Fender Side (12-15-21)
	14	6002 686	Retainer	1	6026 404	Nut	
14	1	3419 306-7	MOULDING PACKAGE, Rr. Wdo. Outside, Lwr. (23-23-52)	31	2	2902 171	NAME PLATE, Fender Side (12-15-21)
	10	6002 686	Retainer	4	6025 963	Screw 4 6026 935 Nut	
15	1	2933 894-5	MOULDING PACKAGE, Qtr. Outside Belt, use w/Vinyl Roof & Two Tone Paint (23-23-39)	32	1	3419 482-3	MOULDING PACKAGE, Body Frt. Lwr. Pillar (23-23-14)
	8	6002 192	Retainer	2	6024 271	Screw w/Seal	
	6	6002 330	Retainer 6 9420 867 Nut				

**All Packages Include Attaching Parts
Part Type Code is Indicated in Parentheses**

EXTERIOR VIEW - PLYMOUTH SPORT FURY P-H FAST BACK

19a2554A



EXTERIOR VIEW - PLYMOUTH SPORT FURY P-H CONVERTIBLE COUPE

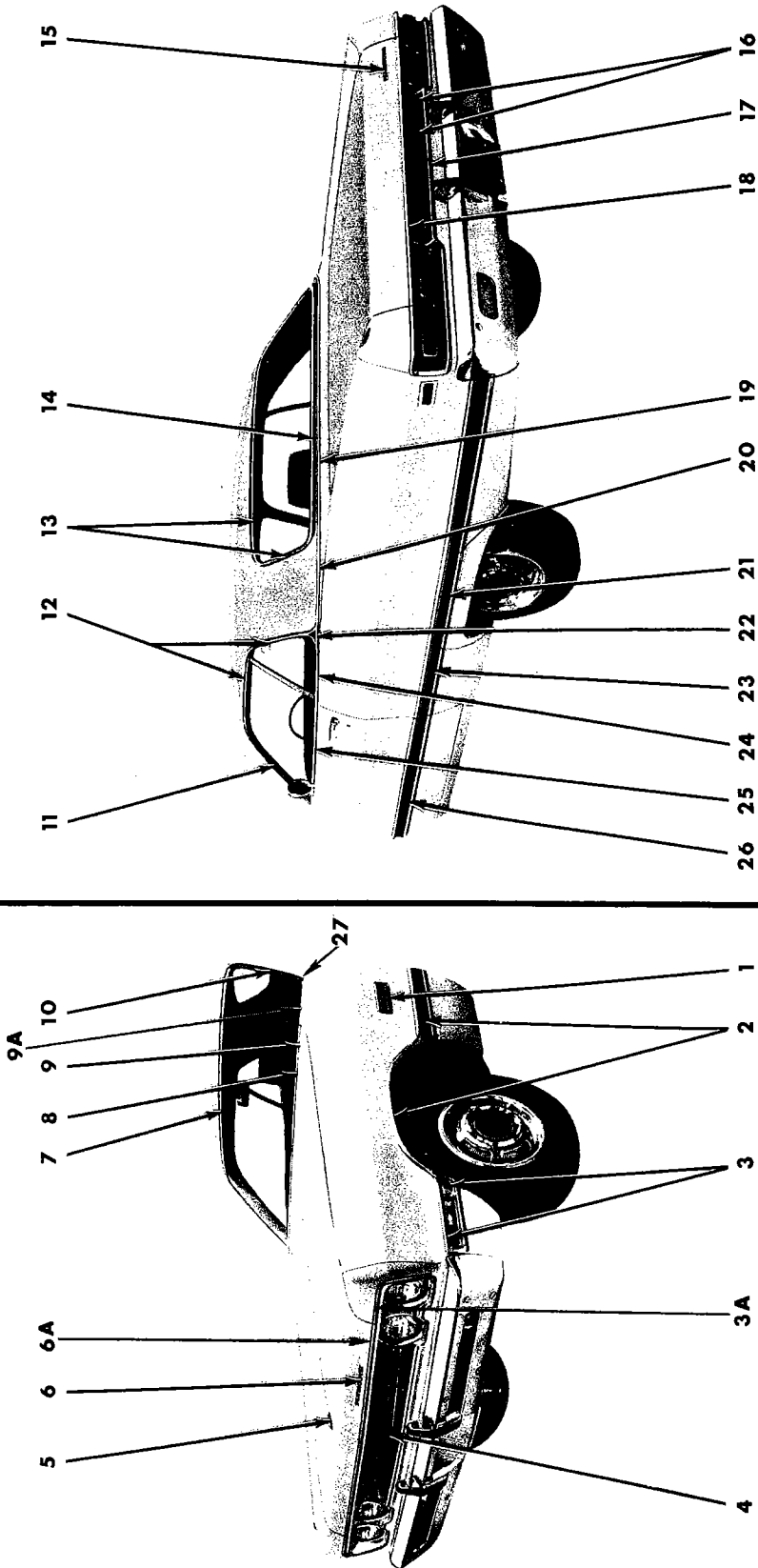
REF. NO.	QTY	PART NUMBER	DESCRIPTION	REF. NO.	QTY	PART NUMBER	DESCRIPTION
1	1	2933 752-3	MOULDING PACKAGE, Body Side Sill (23-23-2)	14	2	2964 075	TAPE, Door Side Stripe, "White" (23-23-12)
	18	6002 601	Retainer		2	2964 076	"Black"
	18	6024 271	Screw		2	2964 077	"Green"
2	1	2933 732-3	MOULDING PACKAGE, Qtr. Outside Wheel Opng., use w/o Skirt (23-23-39)		2	2964 078	"Red"
	12	6024 271	Screw		2	2964 079	"Blue"
	1	2933 736-7	MOULDING PACKAGE, Qtr. Wheel Opng. Pnl., Rear, use w/Skirt (23-23-39)	15	1	2901 018-9	MOULDING, Body Frt. Upr. Pillar Outside (23-23-14)
	1	2933 738-9	MOULDING PACKAGE, Qtr. Wheel Opng. Pnl., Frt., use w/Skirt (23-23-39)	16	1	2933 966-7	MOULDING PACKAGE, Windshield Outside, Side (23-23-65)
	2	6024 271	Screw		6	2900 275	Spacer
3	1	2902 062	PANEL, Deck Opng. Lwr. Finish and Name Plate (23-23-28)		6	6002 688	Screw
	8	6024 271	Screw	17	1	2933 963	MOULDING and SEAL PACKAGE, Windshield Outside, Lwr. (23-23-65)
4	1	2933 530	MOULDING PACKAGE, Deck Opng. Lwr. Pnl. (23-23-23)		1	3419 448	MOULDING PACKAGE, Windshield Outside Lwr. Ctr. and Ends, AFTER Type (23-23-65)
	6	6002 610	Retainer		5	9418 246	Screw
5	1	2933 528	MOULDING PACKAGE, Deck Lid (23-23-30)	18	1	2902 536-7	MOULDING, Windshield Outside Upr. Header (23-23-65)
	6	6024 659	Screw		7	6025 792	Screw
6	1	2785 791	NAME PLATE, Deck Lid, Plymouth (23-19-114)	19	1	2893 077	MOULDING, Windshield Outside, Upr. (23-23-65)
	3	6000 960	Clip		7	6002 688	Retainer
7	1	2901 178	COVER, Qtr. Outside Belt Rear Mdg. Joint (23-23-41)	20	1	2898 857	MOULDING, Hood Top Rear (15-25-2)
8	1	2933 756-7	MOULDING PACKAGE, Qtr. Outside Belt, Rr. (23-23-39)	21	2	2964 075	TAPE, Fender Side Stripe, "White" (12-15-33)
	24	9428 567	Screw		2	2964 076	"Black"
9	2	2964 562	ORNAMENT, Qtr. Outside Panel, "Red" (23-34-334)		2	2964 077	"Green"
	2	2964 563	"White"		2	2964 078	"Red"
	2	2964 564	"Blue"		2	2964 079	"Blue"
10	1	3419 042-3	MOULDING PACKAGE, Qtr. Outside Belt, Intermediate (23-23-39)	21A	1	2998 848-9	MOULDING, Fender Front Extension (12-15-2)
	2	6002 606	Retainer	22	1	2785 865	ORNAMENT, Hood Top (383-2 Barrel) (15-03-18)
	2	6026 523	Nut		1	2785 862	(383-4 Barrel)
11	2	2964 075	TAPE, Qtr. Side Stripe, "White" (23-23-12)		1	2785 869	(440)
	2	2964 076	"Black"		1	9420 253	Nut
	2	2964 077	"Green"	23	1	2785 791	NAME PLATE, Hood Front (15-06-3)
	2	2964 078	"Red"		3	6027 552	Nut
	2	2964 079	"Blue"	24	1	2898 362	MEDALLION, Radiator Grille (7-17-1)
12	1	2933 754-5	MOULDING PACKAGE, Qtr. Outside Belt, Frt. (23-23-39)		1	9420 253	Nut
	6	6002 782	Retainer and Seal	24A	1	3481 840	MOULDING PACKAGE, Hood Front (15-25-2)
13	1	2933 722-3	MOULDING PACKAGE, Door Outside Belt (23-23-32)	25	1	2933 286-7	MOULDING PACKAGE, Fender Wheel Opening (12-15-2)
	10	6002 782	Retainer and Seal		14	6027 413	Screw
				26	1	2785 540	MEDALLION, Fender Side (12-15-21)
					1	6026 404	Nut
				27	2	2902 171	NAME PLATE, Fender Side (12-15-21)
					4	6026 935	Nut
					4	6025 963	Screw

All Packages Include Attaching Parts

Part Type Code is Indicated in Parentheses

EXTERIOR VIEW - PLYMOUTH SPORT FURY P-H CONVERTIBLE COUPE

19a2537B



EXTERIOR VIEW - PLYMOUTH VIP P-P 2 DOOR HARDTOP

REF. NO.	QTY	PART NUMBER	DESCRIPTION
1	2	2902 172	NAME PLATE, Fender Side (12-15-21)
	4	6025 963	Screw
	4	6026 935	Nut
2	1	2933 298-9	MOULDING PACKAGE, Fender Rear (Black) (12-15-2)
	1	3419 278-9	(Tan)
	1	3419 280-1	(Green)
	1	3419 282-3	(White)
	3	6002 739	Retainer
	7	6024 271	Screw
3	1	2933 296-7	MOULDING PACKAGE, Fender Front (Black) (12-15-2)
	1	3419 272-3	(Tan)
	1	3419 274-5	(Green)
	1	3419 276-7	(White)
	4	116 000	Nut
	2	6002 635	Retainer
3A	1	2998 848-9	MOULDING, Fender Front Extension (12-15-2)
4	1	2898 363	MEDALLION, Radiator Grille (7-17-1)
	1	9420 253	Nut
5	1	2785 865	ORNAMENT, Hood Top (383-2 Barrel) (15-03-18)
	1	2785 862	(383-4 Barrel)
	1	2785 869	(440)
	1	9420 253	Nut
6	1	2785 791	NAME PLATE, Hood (15-06-3)
	3	6027 552	Nut
6A	1	3481 840	MOULDING PACKAGE, Hood Front (15-25-2)
7	1	2893 077	MOULDING, Windshield Outside, Upper (23-23-65)
	7	6002 688	Retainer
8	1	2933 963	MOULDING PACKAGE, Windshield Outside, Lower (23-23-65)
	1	3419 448	MOULDING PACKAGE, Windshield Outside Lwr. Ctr. and Ends, AFTER Type (23-23-65)
	5	9418 246	Screw
9	1	2898 857	MOULDING, Hood Top Rear (15-25-2)
9A	1	3439 034-5	MOULDING, Windshield Lwr. End (23-23-65)
	2	6024 271	Screw, w/Seal
10	1	2933 966-7	MOULDING PACKAGE, Windshield Outside, Side (23-23-65)
	6	2900 275	Spacer
	6	6002 688	Screw
11	1	2933 602-3	MOULDING PACKAGE, Body Frt. Pillar Drain Trough (23-59-61)
	6	6027 459	Screw
12	1	3419 360-1	MOULDING PACKAGE, Roof Side Drain Trough, Frt. and Rear (23-59-61)
	4	6024 659	Screw

All Packages Include Attaching Parts

REF. NO.	QTY	PART NUMBER	DESCRIPTION
13	1	2933 544-5	MOULDING PACKAGE, Rear Wdo. Opng., Upr. (23-23-52)
	12	6002 686	Retainer and Screw
14	1	2933 546-7	MOULDING PACKAGE, Rear Wdo. Opng., Lwr. (23-23-52)
	12	6002 686	Retainer and Screw
15	1	2785 791	NAME PLATE, Deck Lid, "Plymouth" (23-19-114)
	3	6000 960	Clip
16	1	2902 048	PANEL, Deck Opng. Lwr. Finish and Name Plate, "Black" (23-23-28)
	1	2965 804	"Tan"
	1	2965 805	"Green"
	1	2965 806	"White"
	8	6024 271	Screw
17	1	2933 530	MOULDING PACKAGE, Deck Opng. Lwr. Pnl. (23-23-23)
	6	6002 610	Retainer
18	1	2933 528	MOULDING PACKAGE, Deck Lid (23-23-30)
	6	6024 659	Screw
19	1	3419 026	MOULDING PACKAGE, Deck Opng. Upr. Pnl., use w/Vinyl Roof and Two Tone Paint (23-23-31)
	4	6002 192	Fastener
	3	6002 320	Retainer
	6	9420 867	Nut
20	1	3419 030-1	MOULDING PACKAGE, Deck Opng. Upr. Pnl., Side, use w/Vinyl Roof and Two Tone Paint (23-23-31)
	6	6002 192	Fastener
	6	6002 320	Retainer
	6	9420 867	Nut
21	1	2933 750-1	MOULDING PACKAGE, Qtr. Outside Whl. Opng. Pnl., "Black" (23-23-39)
	1	3419 254-5	"Tan"
	1	3419 256-7	"Green"
	1	3419 258-9	"White"
	6	6002 747	Retainer
	6	6026 523	Nut
22	1	2933 624-5	MOULDING PACKAGE, Qtr. Outside Belt to Drip, use w/Vinyl Roof and Two Tone Paint (23-23-39)
	2	6027 177	Screw
23	1	2933 744-5	MOULDING PACKAGE, Qtr. Outside, "Black" (23-23-39)
	1	3419 296-7	"Tan"
	1	3419 298-9	"Green"
	1	3419 300-1	"White"
	18	6002 739	Retainer
	18	6024 271	Screw
	4	6002 743	Nut
	4	9420 867	Nut

CONTINUED ON NEXT PAGE

Part Type Code is Indicated in Parentheses

1969 PASSENGER CAR PARTS CATALOG

BODY

REF. NO.	QTY	PART NUMBER	DESCRIPTION
24	1	2933 614-5	MOULDING PACKAGE, Qtr. Outside Belt, use w/Vinyl Roof and Two Tone Paint (23-23-39)
	6	6002 782	Retainer and Seal
	2	6027 177	Screw
	1	2933 626-7	MOULDING PACKAGE, Qtr. Outside Belt, use w/o Vinyl Roof and Two Tone Paint (23-23-39)
	6	6002 782	Retainer and Seal
	2	6027 459	Screw
25	1	2933 722-3	MOULDING PACKAGE, Door Outside Belt (23-23-32)
	10	6002 782	Retainer and Seal

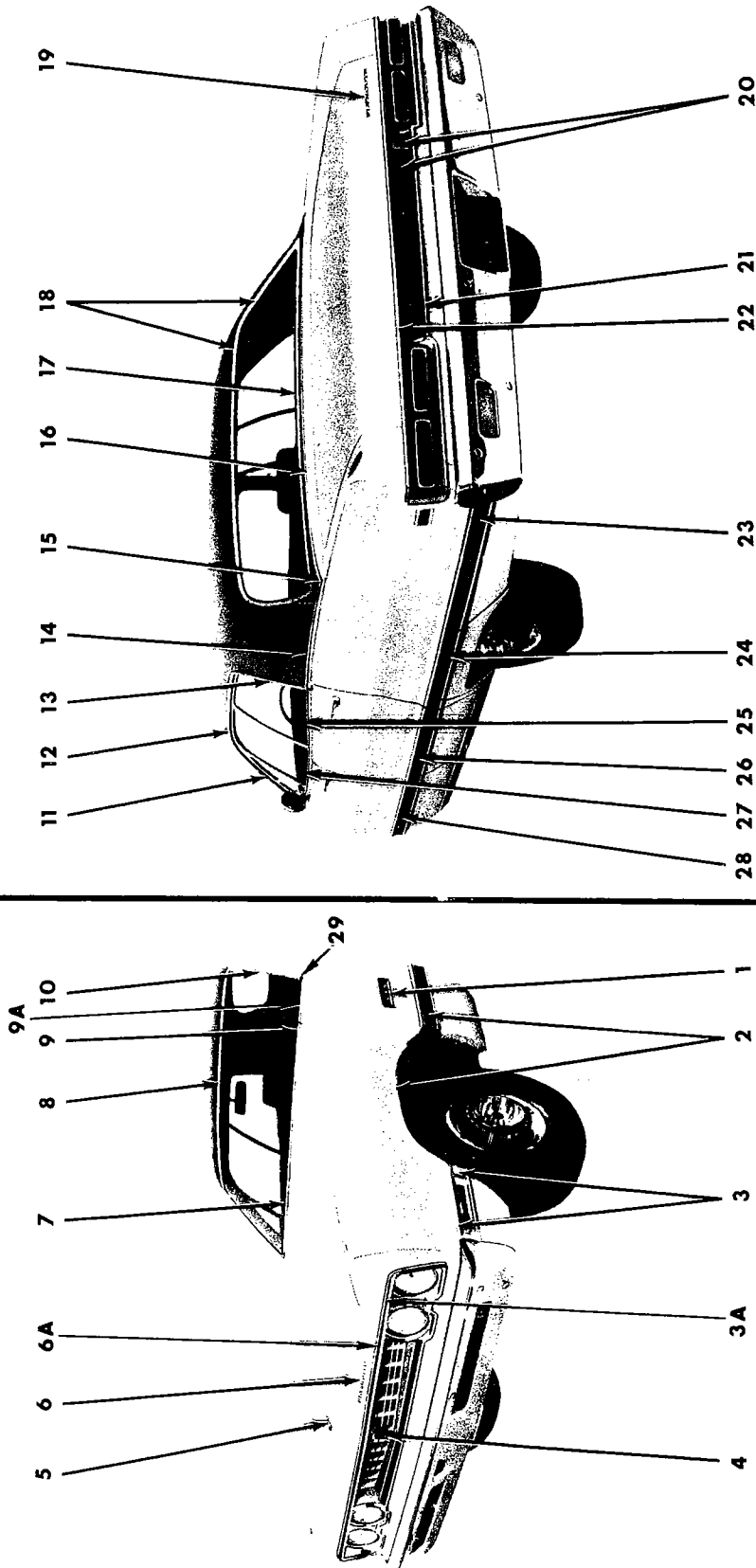
REF. NO.	QTY	PART NUMBER	DESCRIPTION
26	1	2933 740-1	MOULDING PACKAGE, Door Outside, "Black" (23-23-32)
	1	3419 260-1	"Tan"
	1	3419 262-3	"Green"
	1	3419 264-5	"White"
	10	6002 739	Retainer
	2	6002 741	Retainer
	10	6024 271	Screw
	2	6026 523	Nut
27	1	3419 482-3	MOULDING PACKAGE, Body Frt. Lwr. Pillar (23-23-14)
	2	6024 271	Screw

All Packages include Attaching Parts

Part Type Code is Indicated in Parentheses

EXTERIOR VIEW - PLYMOUTH VIP P-P 2 DOOR HARDTOP

19a2535B



EXTERIOR VIEW - PLYMOUTH VIP P-P 4 DOOR HARDTOP

REF. NO.	QTY	PART NUMBER	DESCRIPTION
1	2	2902 172	NAME PLATE, Fender Side (12-15-21)
	4	6025 963	Screw 4 6026 935 Nut
2	1	2933 298-9	MOULDING PACKAGE, Fender Rear (Black) (12-15-2)
	1	3419 278-9	(Tan)
	1	3419 280-1	(Green)
	1	3419 282-3	(White)
	3	6002 739	Retainer 7 6024 271 Screw
3	1	2933 296-7	MOULDING PACKAGE, Fender Front (Black) (12-15-2)
	1	3419 272-3	(Tan)
	1	3419 274-5	(Green)
	1	3419 276-7	(White)
	2	6002 635	Retainer 4 116 000 Nut
3A	1	2998 848-9	MOULDING, Fender Front Extension (12-15-2)
4	1	2898 363	MEDALLION, Radiator Grille (7-17-1)
	1	9420 253	Nut
5	1	2785 865	ORNAMENT, Hood Top (383-2 Barrel) (15-03-18)
	1	2785 862	(383-4 Barrel)
	1	2785 869	(440) 1 9420 253 Nut
6	1	2785 791	NAME PLATE, Hood (15-06-3)
	3	6027 552	Nut
6A	1	3481 840	MOULDING PACKAGE, Hood Front (15-25-2)
7	1	2898 857	MOULDING, Hood Top Rear (15-25-2)
8	1	2893 077	MOULDING, Windshield Outside, Upr. (23-23-65)
	7	6002 688	Retainer
9	1	2933 963	MOULDING PACKAGE, Windshield Outside, Lwr. (23-23-65)
	1	3419 448	MOULDING PACKAGE, Windshield Outside Lwr. Ctr. and Ends, AFTER Type (23-23-65)
	5	9418 246	Screw
9A	1	3439 034-5	MOULDING, Windshield Lwr. End (23-23-65)
	2	6024 271	Screw w/Seal
10	1	2933 966-7	MOULDING PACKAGE, Windshield Outside, Side (23-23-65)
	6	2900 275	Spacer
	6	6002 688	Screw
11	1	2933 600-1	MOULDING PACKAGE, Body Frt. Pillar Drain Trough (23-59-61)
	6	6027 459	Screw
12	1	#3419 356-7	MOULDING PACKAGE, Roof Side Drain Trough, Front (23-59-61)
	4	6024 659	Screw
13	1	2933 588-9	MOULDING PACKAGE, Roof Side Drain Trough, Rear (23-59-61)
	4	6027 459	Screw
14	1	3419 044-5	MOULDING PACKAGE, Qtr. Outside Belt, use w/Vinyl Roof and Two Tone Paint (23-23-39)
	8	6002 192	Fastener
	8	6002 330	Retainer
	8	9420 867	Nut

All Packages Include Attaching Parts

REF. NO.	QTY	PART NUMBER	DESCRIPTION
15	1	2933 578-9	MOULDING PACKAGE, Deck Opng. Upr. Pnl. Outer Corner, use w/Vinyl Roof and Two Tone Paint (23-23-31)
	4	6025 985	Screw
16	1	2933 570-1	MOULDING PACKAGE, Deck Opng. Upr. Pnl., use w/Vinyl Roof and Two Tone Paint (23-23-31)
	8	6002 192	Fastener
	8	6002 330	Retainer
	8	9420 867	Nut
17	1	3419 306-7	MOULDING, Rear Wdo. Outside, Lwr. (23-23-52)
	10	6002 686	Retainer
18	1	2933 492-3	MOULDING PACKAGE, Rear Wdo. Outside, Side and Upr. (23-23-52)
	14	6002 686	Retainer
19	1	2785 791	NAME PLATE, Deck Lid, "Plymouth" (23-19-114)
	3	6000 960	Clip
20	1	2902 048	PANEL, Deck Opng. Lwr. Finish and Name Plate, "Black" (23-23-28)
	1	2965 804	"Tan"
	1	2965 805	"Green"
	1	2965 806	"White"
	8	6024 271	Screw
21	1	2933 530	MOULDING PACKAGE, Deck Opng. Lwr. Pnl. (23-23-23)
	6	6002 610	Retainer
22	1	2933 528	MOULDING PACKAGE, Deck Lid (23-23-30)
	6	6024 659	Screw
23	1	2933 746-7	MOULDING PACKAGE, Qtr. Outside, "Black" (23-23-39)
	1	3419 290-1	"Tan"
	1	3419 292-3	"Green"
	1	3419 294-5	"White"
	10	6002 739	Retainer
	4	6002 743	Retainer
	2	6002 770	Retainer
	12	6023 271	Screw
	4	9420 867	Nut
24	1	2933 750-1	MOULDING PACKAGE, Qtr. Outside Whl. Opng. Pnl., "Black" (23-23-39)
	1	3419 254-5	"Tan"
	1	3419 256-7	"Green"
	1	3419 258-9	"White"
	6	6002 747	Retainer
	6	6026 523	Nut
25	1	2933 766-7	MOULDING PACKAGE, Rear Door Outside Belt (23-23-33)
	8	6002 782	Retainer and Seal

CONTINUED ON NEXT PAGE

Part Type Code is Indicated in Parentheses

1969 PASSENGER CAR PARTS CATALOG

BODY

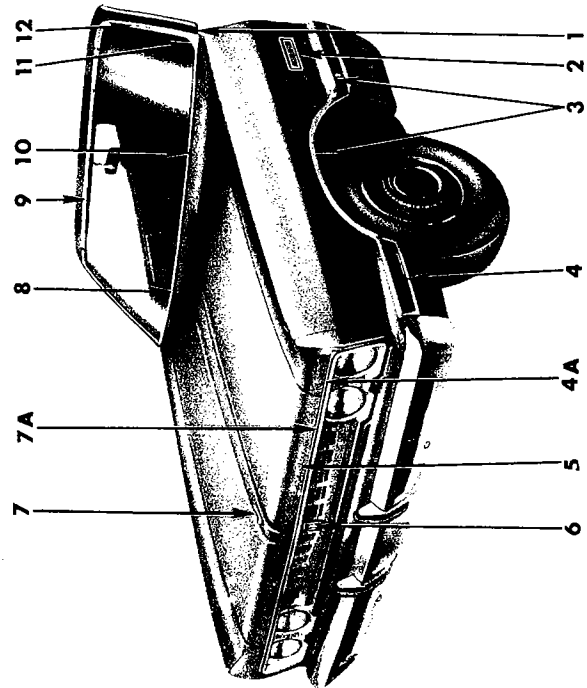
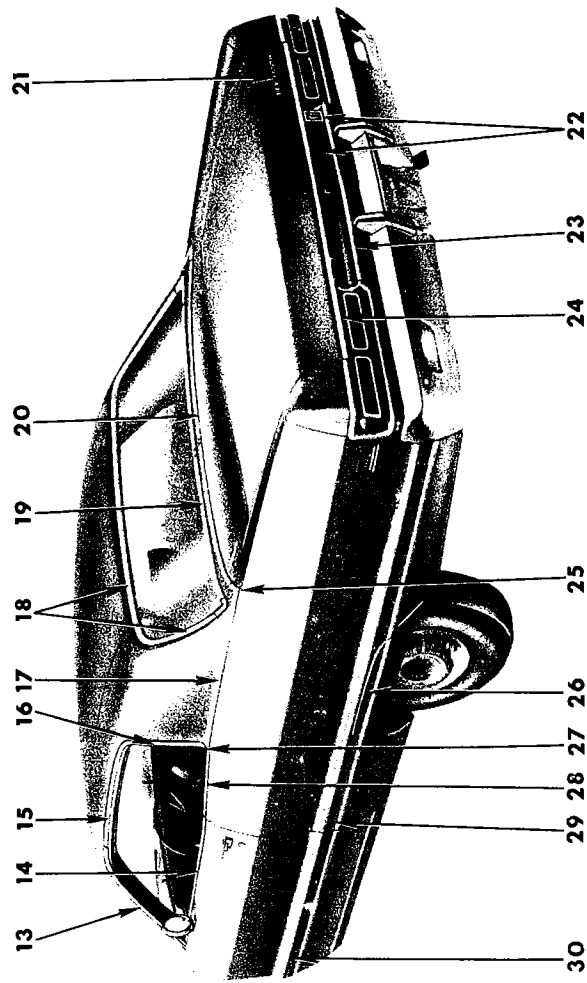
REF. NO.	QTY	PART NUMBER	DESCRIPTION
	1	2933 748-9	MOULDING PACKAGE, Rear Door Outside, "Black"
	1	3419 284-5	"Tan"
	1	3419 286-7	"Green"
	1	3419 288-9	"White"
	4	6002 739	Retainer
	4	6002 741	Retainer
	4	6024 271	Screw
	4	6026 523	Nut
27	1	2933 764-5	MOULDING PACKAGE, Frt. Door Outside Belt (23-23-32)
	10	6002 782	Retainer and Seal

REF. NO.	QTY	PART NUMBER	DESCRIPTION
28	1	2933 742-3	MOULDING PACKAGE, Frt. Door Outside, "Black" (23-23-32)
	1	3419 266-7	"Tan"
	1	3419 268-9	"Green"
	1	3419 270-1	"White"
	10	6002 739	Retainer
	4	6002 741	Retainer
	10	6024 271	Screw
	4	6026 523	Nut
29	1	3419 482-3	MOULDING PACKAGE, Body Frt. Lwr. Pillar (23-23-14)
	2	6024 271	Screw w/Seal

Packages Include Attaching Parts

Part Type Code is Indicated in Parentheses

EXTERIOR VIEW - PLYMOUTH VIP P-P 4 DOOR HARDTOP



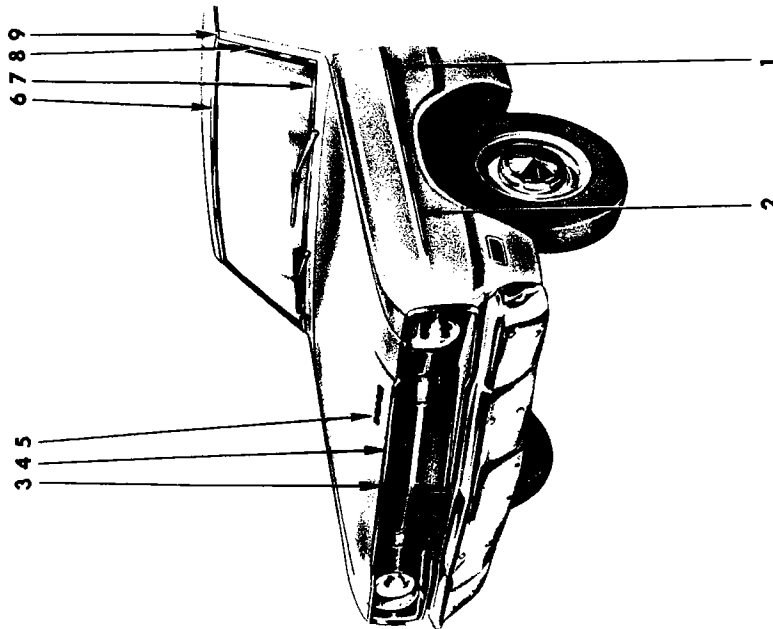
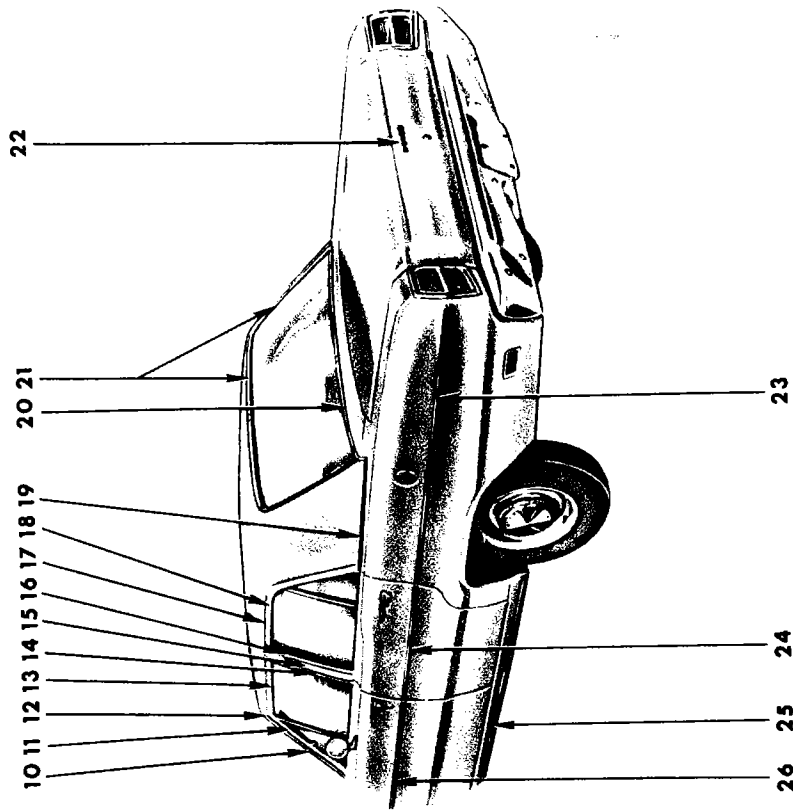
19a2786A

EXTERIOR VIEW - PLYMOUTH VIP P-P FAST BACK

REF. NO.	QTY	PART NUMBER	DESCRIPTION	REF. NO.	QTY	PART NUMBER	DESCRIPTION
1	1	3419 482-3	MOULDING PACKAGE, Body Frt. Lwr. Plr. (23-23-14)	18	1	2933 492-3	MOULDING PACKAGE, Rr. Wdo. Outside, Side & Upr. (23-23-52)
	2	6024 271	Screw w/Seal	14	6002 686		Retainer
2	2	2902 172	NAME PLATE, Fender Side (12-15-21)	19	1	3419 306-7	MOULDING PACKAGE, Rr. Wdo. Outside, Lwr. (23-23-52)
	4	6025 963	Screw 4 6026 935 Nut	10	6002 686		Retainer
3	1	2933 298-9	MOULDING PACKAGE, Fender Rear, "Black" (12-15-2)	20	1	2933 570-1	MOULDING PACKAGE, Deck Opng. Upr. Pnl., use w/Vinyl Roof & Two Tone Paint (23-23-31)
	1	3419 278-9	"Tan"	8	6002 192		Fastener
	1	3419 280-1	"Green"	8	6002 330		Retainer 8 9420 867 Nut
	1	3419 282-3	"White"	21	1	2785 791	NAME PLATE, Deck Lid, "Plymouth" (23-19-114)
	3	6002 739	Retainer 7 6024 271 Screw	3	6000 960		Clip
4	1	2933 296-7	MOULDING PACKAGE, Fender Frt., "Black" (12-15-2)	22	1	2902 048	PANEL, Deck Opng. Lwr. Finish and Name Plate, "Black" (23-23-28)
	1	3419 272-3	"Tan"	1	2965 804		"Tan"
	1	3419 274-5	"Green"	1	2965 805		"Green"
	1	3419 276-7	"White" 2 441 239 Nut	1	2965 806		"White"
	2	6002 635	Retainer 2 6024 271 Screw	8	6024 271		Screw
4A	1	2998 848-9	MOULDING, Fender Front Extension (12-15-2)	23	1	2933 530	MOULDING PACKAGE, Deck Opng. Lwr. Pnl. (23-23-23)
5	1	2785 791	NAME PLATE, Hood (15-06-3)	6	6002 610		Retainer
	3	6027 552	Nut	24	1	2933 528	MOULDING PACKAGE, Deck Lid (23-23-30)
6	1	2898 363	MEDALLION, "VIP" (7-17-1)	6	6024 659		Screw
7	1	2785 865	ORNAMENT, Hood Top (383-2 Barrel) (15-03-18)	25	1	2933 578-9	MOULDING PACKAGE, Deck Opng. Upr. Pnl. Outer Corner, use w/Vinyl Roof and Two Tone Paint (23-23-39)
	1	2785 862	(383-4 Barrel)	4	6025 985		Screw
	1	2785 869	(440)	26	1	2933 750-1	MOULDING PACKAGE, Qtr. Outside Whl. Opng. Pnl., "Black" (23-23-39)
	1	9420 253	Nut	1	3419 254-5		"Tan"
7A	1	3481 840	MOULDING PACKAGE, Hood Front (15-25-2)	1	3419 256-7		"Green"
8	1	2898 857	MOULDING, Hood Top Rear (15-25-2)	1	3419 258-9		"White"
9	1	2893 077	MOULDING, Windshield Outside, Upr. (23-23-65)	6	6002 747		Retainer 6 6026 523 Nut
	7	6002 688	Retainer	27	1	3419 414-5	MOULDING PACKAGE, Qtr. Outside Belt to Drain Trough (23-23-39)
10	1	2933 963	MOULDING PACKAGE, Windshield Outside, Lwr. (23-23-65)	4	9416 166		Screw
	5	9418 246	Screw	28	1	2933 614-5	MOULDING PACKAGE, Qtr. Outside Belt (23-23-39)
	1	3419 448	MOULDING PACKAGE, Windshield Outside, Lwr. Ctr. and Ends, AFTER Type (23-23-65)	6	6002 782		Retainer & Seal
11	1	3439 034-5	MOULDING, Windshield Lwr. End (23-23-65)	2	6027 177		Screw
	2	6024 271	Screw w/Seal	29	1	2933 744-5	MOULDING PACKAGE, Qtr. Outside, "Black" (23-23-39)
12	1	2933 966-7	MOULDING PACKAGE, Windshield Outside, Side (23-23-65)	1	3419 296-7		"Tan"
	6	2900 275	Spacer 6 6002 688 Screw	1	3419 298-9		"Green"
13	1	2933 600-1	MOULDING PACKAGE, Body Frt. Pillar Drain Trough (23-59-61)	1	3419 300-1		"White"
	6	6027 459	Screw	18	6002 739		Retainer 4 6002 743 Nut
14	1	2933 722-3	MOULDING PACKAGE, Door Outside Belt (23-23-32)	18	6024 271		Screw 4 9420 867 Nut
	10	6002 782	Retainer & Seal	30	1	2933 740-1	MOULDING PACKAGE, Door Outside, "Black" (23-23-32)
15	1	#3419 356-7	MOULDING PACKAGE, Roof Side Drain Trough, Front (23-59-61)	1	3419 260-1		"Tan"
	4	6024 659	Screw	1	3419 262-3		"Green"
16	1	2933 590-1	MOULDING PACKAGE, Roof Side Drain Trough, Rear (23-59-61)	1	3419 264-5		"White"
	4	6027 459	Screw	10	6002 739		Retainer 10 6024 271 Screw
17	1	2933 894-5	MOULDING PACKAGE, Qtr. Outside Belt, use w/Vinyl Roof & Two Tone Paint (23-23-39)	2	6002 741		Retainer 2 6026 523 Nut
	8	6002 192	Retainer				
	6	6002 330	Retainer 6 9420 867 Nut				

**All Packages Include Attaching Parts
Part Type Code is Indicated in Parentheses**

19a2588



EXTERIOR VIEW - DART L-L 4 DOOR SEDAN

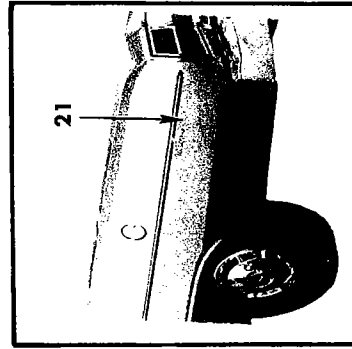
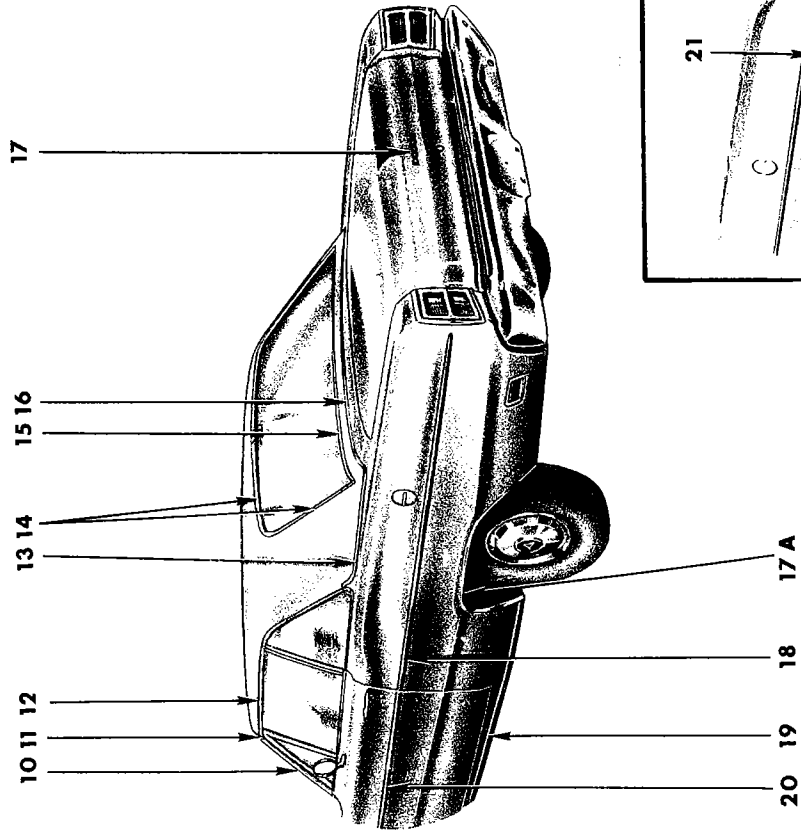
REF. NO.	QTY	PART NUMBER	DESCRIPTION
1	2	2901 894	NAME PLATE, Fender Side (Dart) (12-15-21)
	4	6027 352	Nut
2	2	3419 302	MOULDING PACKAGE, Fender Side (12-15-2)
	2	9419 784	Nut
	2	6002 402	Retainer
	5	6001 880	Retainer
3	1	2807 757	CAP PACKAGE, Hood Front Moulding Center (15-25-5)
	1	116 000	Nut
4	1	2807 758-9	MOULDING PACKAGE, Hood Front (15-25-2)
	4	116 000	Nut
	4	6002 170	Retainer
5	1	2898 866	NAME PLATE, Hood Front (15-06-3)
	3	9420 278	Nut
6	1	2932 452-3	MOULDING PACKAGE, Windshield Outside, Upr. (23-23-65)
	8	6002 263	Retainer
7	1	2932 445	MOULDING PACKAGE, Windshield Outside, Upr. (23-23-65)
	5	6002 263	Retainer
	4	6002 615	Retainer
8	1	2932 448-9	MOULDING PACKAGE, Windshield Outside, Side (23-23-65)
	6	6002 263	Retainer
9	1	2807 882-3	MOULDING PACKAGE, Body Frt. Pillar Trim, w/Two Tone Paint (23-23-14)
	2	6027 205	Screw
10	1	2783 024-5	MOULDING, Body Frt. Pillar Drain Trough (23-59-61)
	AR	----	Spacer
11	1	2663 434-5	MOULDING, Frt. Door Wdo. Opng. Frame, Frt. (23-23-32)
12	2	2783 028	COVER, Roof Side Drain Trough Mldg. Joint (23-59-57)
13	1	2663 440-1	MOULDING, Frt. Door Wdo. Opng. Frame, Upr. (23-23-32)
14	1	2663 442-3	MOULDING, Frt. Door Wdo. Opng. Frame, Rr. (23-23-32)
15	1	2807 920-1	MOULDING PACKAGE, Body Ctr. Pillar Outside Finish (23-23-16)
	8	6024 271	Screw

REF. NO.	QTY	PART NUMBER	DESCRIPTION
16	1	2664 812-3	MOULDING, Rear Door Wdo. Opng. Frame, Frt. (23-23-33)
17	1	2783 026-7	MOULDING, Roof Side Drain Trough, w/o Vinyl Roof (23-59-61)
	AR	----	Spacer
	1	2840 980-1	MOULDING, Roof Side Drain Trough, w/Vinyl Roof (23-59-61)
	AR	----	Spacer
18	1	2664 814-5	MOULDING, Rear Door Wdo. Opng. Frame, Upr. & Rear (23-23-33)
19	1	2809 684-5	MOULDING PACKAGE, Qtr. Outside Belt, Paint Break, use w/Two Tone Paint (23-23-39)
	6	6002 192	Screw w/Seal
	2	6002 507	Retainer w/Seal
20	1	2807 612-3	MOULDING PACKAGE, Rear Wdo. Outside, Lwr. (23-23-52)
	8	6002 206	Retainer Screw & Seal
21	1	2807 610-1	MOULDING PACKAGE, Rear Wdo. Outside, Upr. & Side (23-23-52)
	12	6002 206	Retainer Screw & Seal
22	1	2901 813	NAME PLATE, Deck Lid, "Dodge" (23-19-114)
	2	9420 294	Nut
23	1	3419 304-5	MOULDING PACKAGE, Qtr. Outside (23-23-39)
	2	6002 380	Retainer
	16	6002 587	Retainer
	2	6027 625	Nut
24	1	3004 264-5	MOULDING PACKAGE, Rear Door Outside (23-23-33)
	6	6001 880	Retainer
	4	6001 836	Retainer
	4	6026 523	Nut
25	2	2807 906	MOULDING PACKAGE, Body Side Sill (23-23-2)
	8	6001 428	Retainer and Seal
	2	6026 760	Screw
26	2	3004 262	MOULDING PACKAGE, Frt. Door Outside (23-23-32)
	2	6001 836	Retainer
	4	6001 880	Retainer
	2	6026 523	Nut

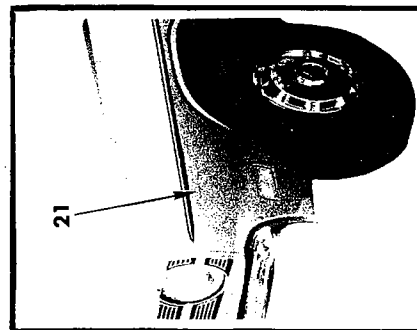
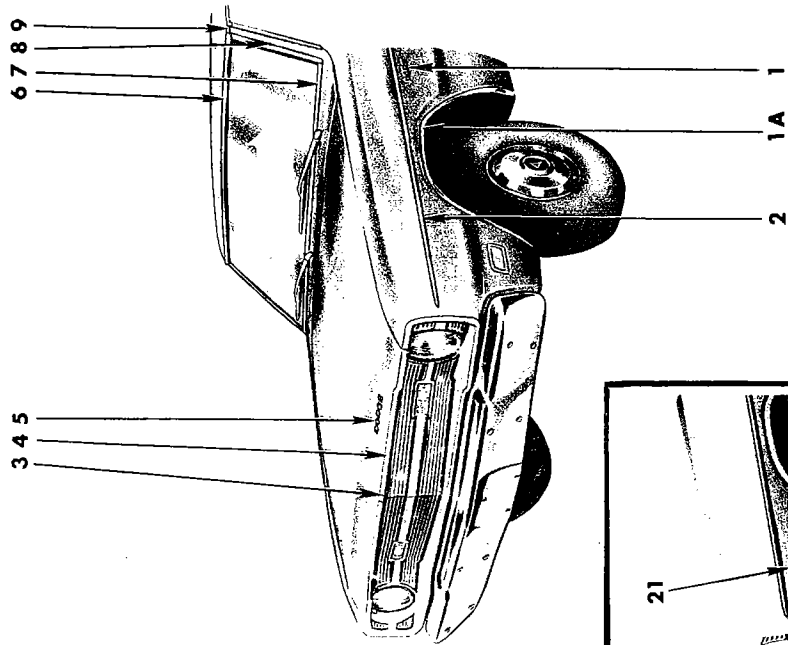
All Packages Include Attaching Parts

Part Type Code is Indicated in Parentheses

EXTERIOR VIEW - DART L-L 4 DOOR SEDAN



19a2583 B



EXTERIOR VIEW - DART L-L 2 DOOR HARDTOP

REF. NO.	QTY	PART NUMBER	DESCRIPTION
1	2	2901 894	NAME PLATE, Fender Side (Dart) (12-15-21)
	4	6027 352	Nut
1A	1	2807 766-7	MOULDING PACKAGE, Fender Wheel Opening (12-15-2)
	8	6024 271	Screw
2	2	3419 302	MOULDING PACKAGE, Fender Side (12-15-2)
	2	9419 784	Nut
	2	6002 402	Retainer
	5	6001 880	Retainer
3	1	2807 757	CAP PACKAGE, Hood Front Moulding Center (15-25-5)
	1	116 000	Nut
4	1	2807 758-9	MOULDING PACKAGE, Hood Front (15-25-2)
	4	116 000	Nut
	4	6002 170	Retainer
5	1	2898 866	NAME PLATE, Hood Front (15-06-3)
	3	9420 278	Nut
6	1	2932 450-1	MOULDING PACKAGE, Windshield Outside, Upper (23-23-65)
	8	6002 263	Retainer
7	1	2932 445	MOULDING PACKAGE, Windshield Outside, Lower (23-23-65)
	5	6002 263	Retainer
	4	6002 615	Retainer
8	1	2932 446-7	MOULDING PACKAGE, Windshield Outside, Side (23-23-65)
	6	6002 263	Retainer
9	1	2807 882-3	MOULDING PACKAGE, Body Frt. Pillar Trim, use w/Vinyl Roof and Two Tone Paint (23-23-14)
	2	6027 205	Screw
10	1	2783 018-9	MOULDING, Body Frt. Pillar Drain Trough (23-59-61)
	AR	----	Spacer
11	2	2783 028	COVER, Roof Side Drain Trough Mldg. Joint (23-59-57)
12	1	2783 020-1	MOULDING, Roof Side Drain Trough, w/o Vinyl Roof (23-59-61)
	AR	----	Spacer
	1	2840 982-3	MOULDING, Roof Side Drain Trough, w/Vinyl Roof (23-59-61)

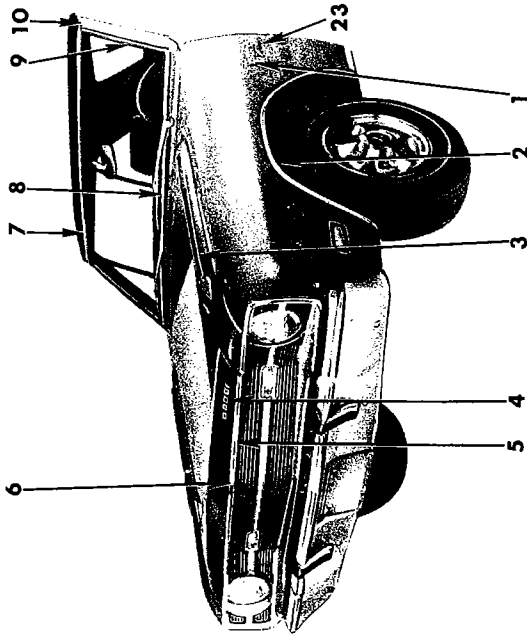
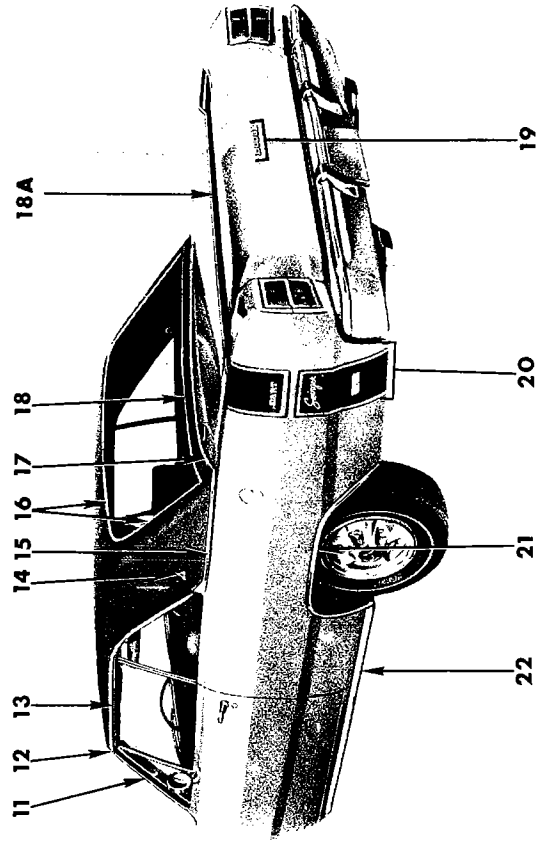
All Packages include Attaching Parts

REF. NO.	QTY	PART NUMBER	DESCRIPTION
13	1	2807 700-1	MOULDING PACKAGE, Roof Outside Belt, use w/Vinyl Roof and Two Tone Paint (23-23-42)
	6	6002 192	Fastener
14	1	2807 616-7	MOULDING PACKAGE, Rear Wdo. Outside, Upr. & Side (23-23-52)
	12	6002 206	Retainer Screw & Seal
15	1	2807 614-5	MOULDING PACKAGE, Rear Wdo. Outside, Lwr. (23-23-52)
	10	6002 206	Retainer Screw & Seal
16	1	2807 702-3	MOULDING PACKAGE, Deck Opng. Upr. Pnl., use w/Vinyl Roof and Two Tone Paint (23-23-31)
	9	6001 596	Retainer and Seal
	9	9420 276	Nut
17	1	2901 813	NAME PLATE, Deck Lid, "Dodge" (23-19-114)
	2	9420 294	Nut
17A	1	2932 594-5	MOULDING PACKAGE, Qtr. Outside Whl. Opng. (23-23-39)
	16	6024 271	Screw w/Seal
18	2	3419 303	MOULDING PACKAGE, Qtr. Outside (23-23-39)
	22	6001 880	Retainer w/Seal
	2	6002 402	Retainer
	2	6027 625	Nut
19	2	2807 906	MOULDING PACKAGE, Body Side Sill (23-23-2)
	8	6001 428	Retainer and Seal
	2	6026 760	Screw
20	2	3004 260	MOULDING PACKAGE, Door Outside (23-23-32)
	2	6001 836	Retainer and Seal
	5	6001 880	Retainer and Seal
	2	6026 523	Nut
21	2	3445 754	DECAL, Fender Side (Western Sport Special) (12-15-21)

Part Type Code is Indicated in Parentheses

EXTERIOR VIEW - DART L-L 2 DOOR HARDTOP

19a2468A



EXTERIOR VIEW - DART L-L 2 DOOR HARDTOP (SWINGER)

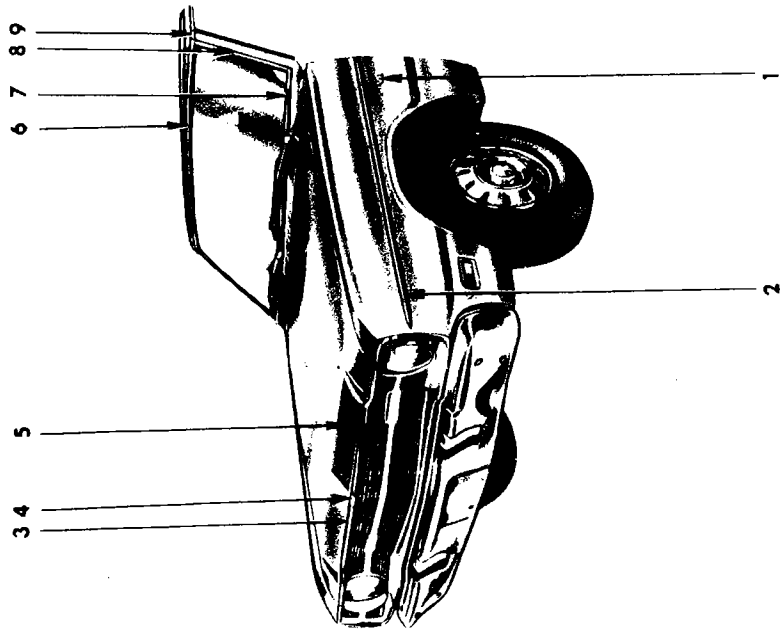
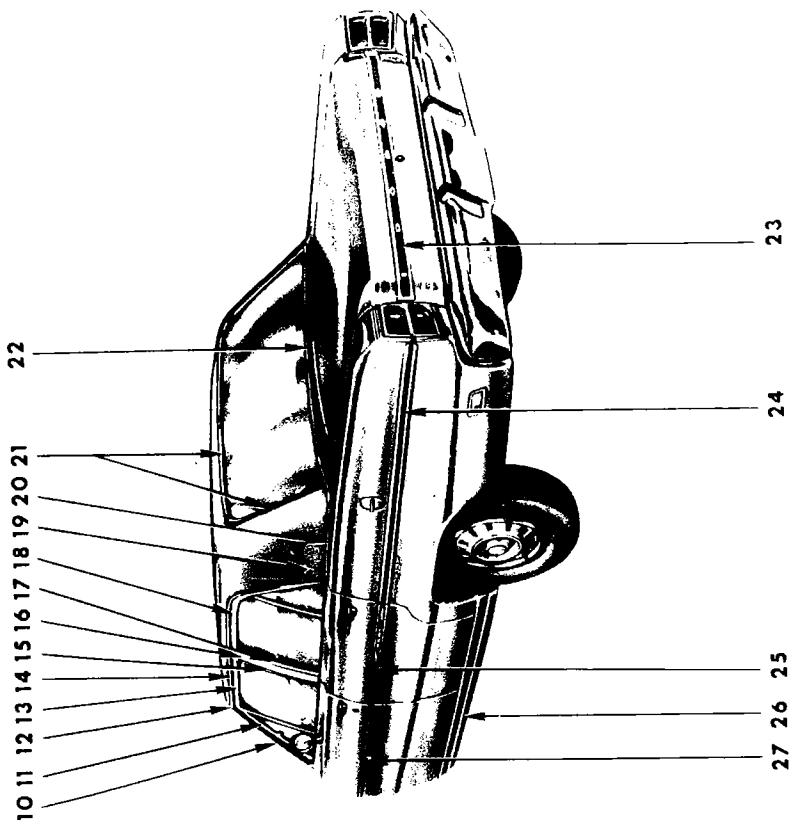
REF. NO.	QTY	PART NUMBER	DESCRIPTION
1	2	2901 894	NAME PLATE, Fender (Dart) (12-15-21)
	4	6027 352	Nut
2	1	2807 766-7	MOULDING PACKAGE, Fender Wheel Opening (12-15-2)
	8	6024 271	Screw
3	1	2949 150-1	ORNAMENT, Hood Side (15-03-18)
	10	-----	Nut
	10	2786 863	Washer (15-06-24)
	2	2786 524	Welt (15-03-47)
4	1	2898 866	NAME PLATE, Hood Front (15-06-3)
	3	9420 278	Nut
5	1	2807 758-9	MOULDING PACKAGE, Hood Front (15-25-2)
	4	116 000	Nut
	4	6002 170	Retainer
6	1	2807 757	CAP PACKAGE, Hood Front Moulding (15-25-5)
	1	116 000	Nut
7	1	2932 450-1	MOULDING PACKAGE, Wind- shield Outside, Upr. (23-23-65)
	8	6002 263	Retainer
8	1	2932 445	MOULDING PACKAGE, Wind- shield Outside, Lwr. (23-23-65)
	5	6002 263	Retainer
	4	6002 615	Retainer
9	1	2932 446-7	MOULDING PACKAGE, Wind- shield Outside, Side (23-23-65)
	6	6002 263	Retainer
10	1	2807 882-3	MOULDING PACKAGE, Body Frt. Pillar Trim, use w/Vinyl Roof and Two Tone Paint (23-23-14)
	2	6027 205	Screw
11	1	2783 018-9	MOULDING, Body Frt. Pillar Outside (23-59-61)
	AR	-----	Spacer
12	2	2783 028	COVER, Roof Side Drain Trough Mldg. Joint (23-59-57)

REF. NO.	QTY	PART NUMBER	DESCRIPTION
13	1	2783 020-1	MOULDING, Roof Side Drain Trough, w/o Vinyl Roof (23-59-61)
	AR	-----	Spacer
	1	2840 982-3	MOULDING, Roof Side Drain Trough, w/Vinyl Roof (23-59-61)
14	2	2449 932	MEDALLION, Roof Side w/Vinyl Roof (23-34-334)
	4	9420 263	Nut
15	1	2807 700-1	MOULDING PACKAGE, Roof Outside Belt, use w/Vinyl Roof and Two Tone Paint (23-23-42)
16	1	2807 616-7	MOULDING PACKAGE, Rear Wdo. Outside, Upr. and Side (23-23-52)
	12	6002 206	Retainer Screw and Seal
17	1	2807 702-3	MOULDING PACKAGE, Deck Opng. Upr. Pnl., use w/Vinyl Roof and Two Tone Paint (23-23-31)
18	1	2807 614-5	MOULDING PACKAGE, Rear Wdo. Outside, Lwr. (23-23-52)
	10	6002 206	Retainer Screw and Seal
18A	1	2902 510	TAPE, Deck Lid Color Stripe, "White" (23-23-12)
	1	2902 511	"Black"
	1	2902 512	"Red"
19	1	2901 813	NAMP PLATE, Deck Lid, "Dodge" (23-19-114)
	2	9420 294	Nut
20	1	2964 902-3	TAPE, Rear Qtr. Stripe Transverse, "White" (23-23-12)
	1	2964 908-9	"Black"
	1	2964 910-1	"Red"
21	1	2932 594-5	MOULDING PACKAGE, Qtr. Outside Whl. Opng. (23-23-39)
	16	6024 271	Screw, w/Seal
22	2	2807 906	MOULDING PACKAGE, Body Side Sill (23-23-2)
	8	6001 428	Retainer and Seal
	2	6026 760	Screw
23	2	3444 383	DECAL, Fender Side (Swinger) (12-15-21)

All Packages Include Attaching Parts

Part Type Code is Indicated in Parentheses

EXTERIOR VIEW - DART L-L 2 DOOR HARDTOP (SWINGER)



EXTERIOR VIEW - DART CUSTOM L-H 4 DOOR SEDAN

REF. NO.	QTY	PART NUMBER	DESCRIPTION
1	2	2579 748	ORNAMENT, Fender Side (12-15-21)
	4	6027 352	Nut
2	2	2933 508	MOULDING PACKAGE, Fender Side (12-15-2)
	2	6026 523	Nut
	2	6002 691	Retainer
	8	6002 693	Retainer
	2	6002 637	Retainer
3	1	2807 758-9	MOULDING PACKAGE, Hood Front (15-25-2)
	4	116 000	Nut
	4	6002 170	Retainer
4	1	2807 757	CAP PACKAGE, Hood Front Moulding (15-25-5)
	1	116 000	Nut
5	1	2898 866	NAME PLATE, Hood Front (15-06-3)
	3	9420 278	Nut
6	1	2932 452-3	MOULDING PACKAGE, Wind-shield Outside, Upr. (23-23-65)
	8	6002 263	Retainer
7	1	2932 445	MOULDING PACKAGE, Wind-shield Outside, Lwr. (23-23-65)
	5	6002 263	Retainer
	4	6002 615	Retainer
8	1	2932 448-9	MOULDING PACKAGE, Wind-shield Outside, Side (23-23-65)
	6	6002 263	Retainer
9	1	2807 882-3	MOULDING PACKAGE, Body Frt. Pillar Trim, use w/Vinyl Roof and Two Tone Paint (23-23-14)
	2	6027 205	Screw
10	1	2783 024-5	MOULDING, Body Frt. Pillar Drain Trough (23-59-61)
	AR	----	Spacer
11	1	2663 434-5	MOULDING, Frt. Door Wdo. Opng. Frame, Frt. (23-23-32)
12	2	2783 028	COVER, Roof Side Drain Trough Mldg. Joint (23-59-57)
13	1	2663 440-1	MOULDING, Frt. Door Wdo. Opng. Frame, Upr. (23-23-32)
14	1	2783 026-7	MOULDING, Roof Side Drain Trough, w/o Vinyl Roof (23-59-61)
	AR	----	Spacer
	1	2840 980-1	MOULDING, Roof Side Drain Trough, w/Vinyl Roof (23-59-61)
15	1	2663 442-3	MOULDING, Frt. Door Wdo. Opng. Frame, Rr. (23-23-32)
16	1	2807 920-1	MOULDING PACKAGE, Ctr. Pillar Outside Finish (23-23-16)
	8	6024 271	Screw

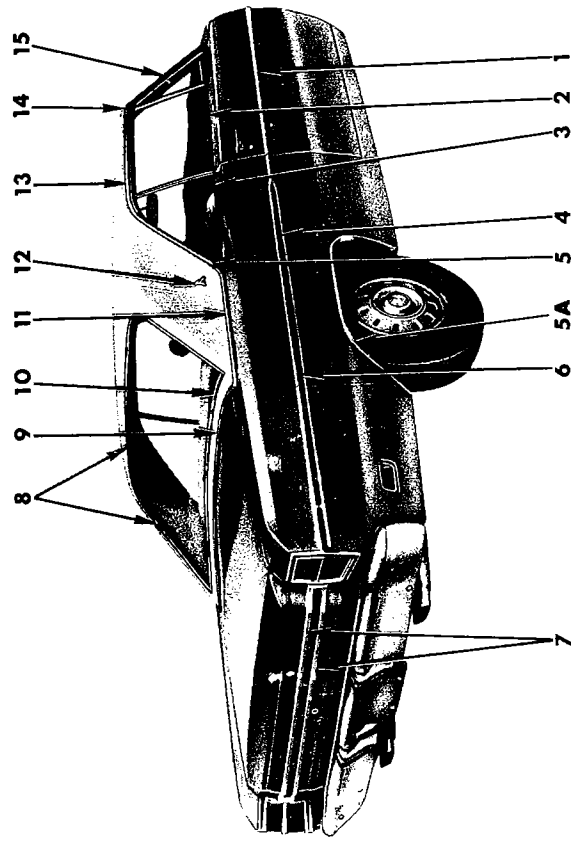
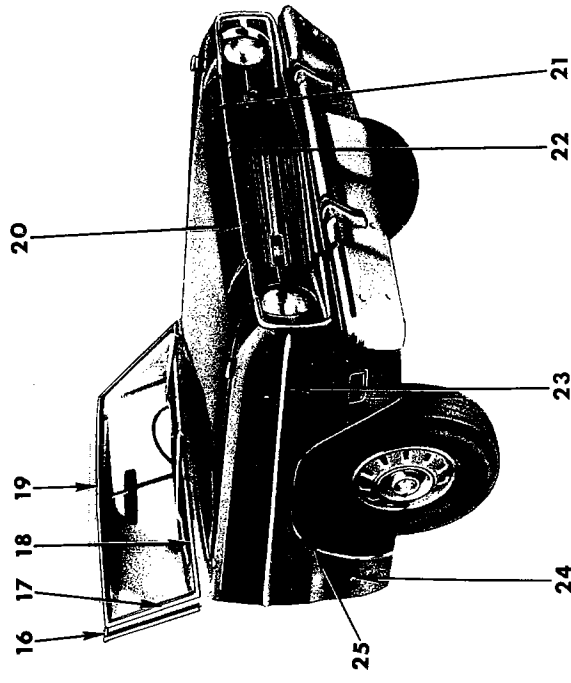
REF. NO.	QTY	PART NUMBER	DESCRIPTION
17	1	2664 812-3	MOULDING, Rr. Door Wdo. Opng. Frame, Frt. (23-23-33)
18	1	2664 814-5	MOULDING, Rr. Door Wdo. Opng. Frame, Upr. and Rr. (23-23-33)
19	2	2841 393	MEDALLION, Roof Side, w/Vinyl Roof (23-34-334)
	2	6027 265	Seal
	2	6027 564	Screw
20	1	2809 684-5	MOULDING PACKAGE, Qtr. Outside Belt Paint Break, use w/Vinyl Roof (23-23-39)
	6	6002 192	Screw w/Seal
	2	6002 507	Retainer w/Seal
21	1	2807 610-1	MOULDING PACKAGE, Rear Wdo. Outside, Upr. and Side (23-23-52)
	12	6002 206	Retainer Screw and Seal
22	1	2807 612-3	MOULDING PACKAGE, Rear Wdo. Outside, Lwr. (23-23-52)
	8	6002 206	Retainer Screw and Seal
23	1	2901 890	PANEL, Deck Lid Finish (23-23-30)
	6	6002 385	Retainer w/Seal
	6	441 239	Nut
	2	6026 523	Nut
24	1	2933 922-3	MOULDING PACKAGE, Qtr. Outside and Rr. End Cap (23-23-39)
	4	6002 423	Retainer
	4	6026 523	Nut
	14	6002 739	Retainer
	14	6024 271	Screw
	2	6002 381	Retainer
	2	6024 679	Nut
25	1	2933 924-5	MOULDING PACKAGE, Rear Door Outside (23-23-33)
	4	6002 637	Retainer
	4	6002 690	Retainer
	4	6002 692	Retainer
	4	6002 693	Retainer
	4	6024 271	Screw
	4	6026 523	Nut
26	2	2807 906	MOULDING PACKAGE, Body Side Sill (23-23-2)
	8	6001 428	Retainer and Seal
	2	6026 760	Screw
27	2	2933 522	MOULDING PACKAGE, Frt. Door Outside (23-23-32)
	4	6002 637	Retainer
	8	6002 693	Retainer
	8	6024 271	Screw
	4	6026 523	Nut

All Packages Include Attaching Parts

Part Type Code is Indicated in Parentheses

EXTERIOR VIEW - DART CUSTOM L-H 4 DOOR SEDAN

19a2398A



EXTERIOR VIEW - DART CUSTOM L-H 2 DOOR HARDTOP

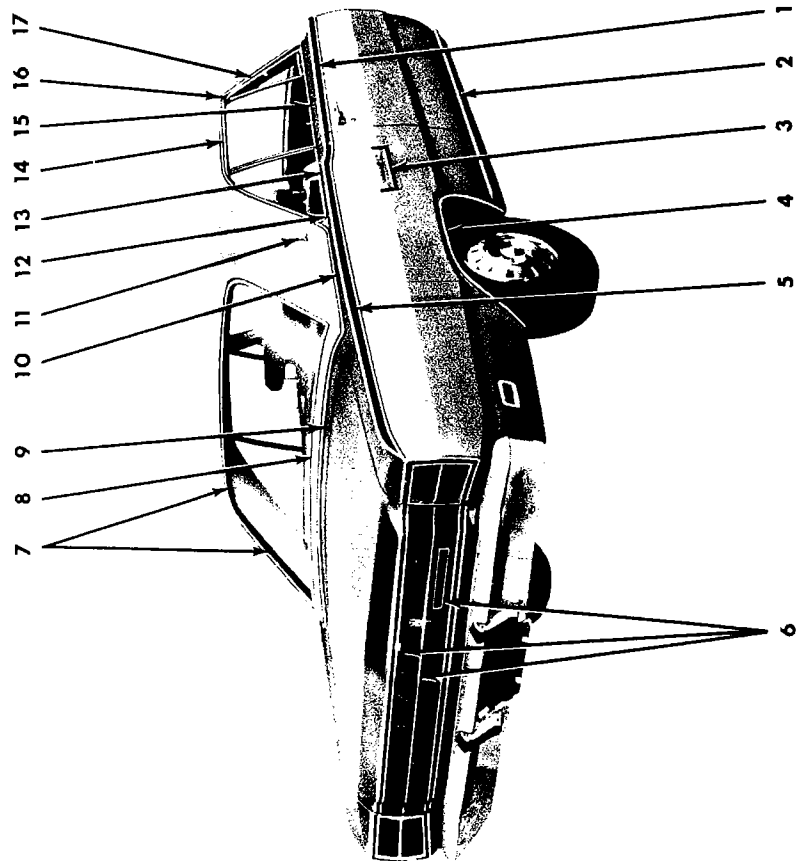
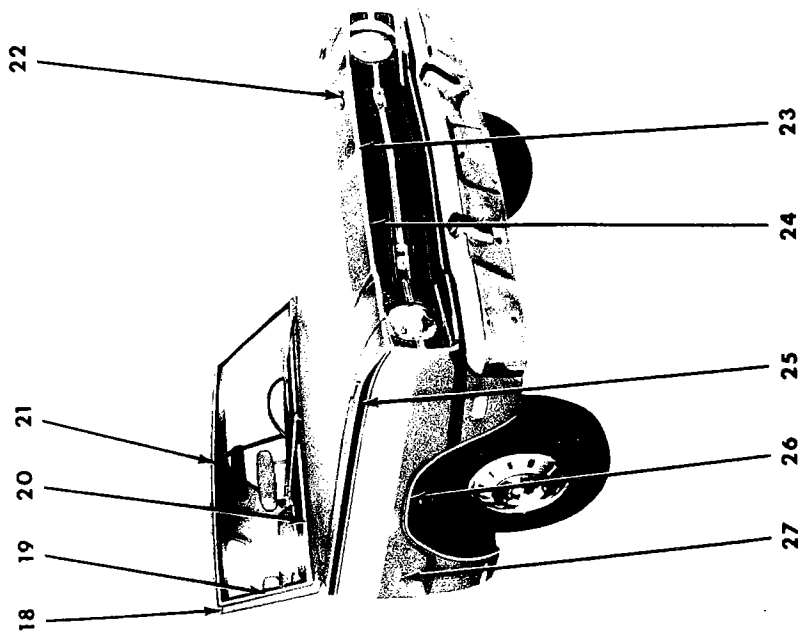
REF. NO.	QTY	PART NUMBER	DESCRIPTION
1	2	2933 520	MOULDING PACKAGE, Door Outside (23-23-32)
	*	6002 637	Retainer
	8	6002 693	Retainer
	8	6024 271	Screw
	4	6026 523	Nut
2	1	3004 244-5	MOULDING PACKAGE, Door Outside Belt (23-23-32)
	14	6002 398	Retainer and Seal
3	1	3004 242-3	MOULDING PACKAGE, Qtr. Outside Belt, Frt. (23-23-39)
	8	6002 398	Retainer w/Seal
4	1	2933 516-7	MOULDING PACKAGE, Qtr. Outside, Frt. (23-23-39)
	4	6002 690	Retainer
	2	6002 692	Retainer
5	1	3004 246-7	MOULDING PACKAGE, Qtr. Outside Belt, Rear (23-23-39)
	2	6002 398	Retainer w/Seal
5A	1	2932 594-5	MOULDING PACKAGE, Qtr. Outside Whl. Opng. (23-23-39)
	16	6024 271	Screw w/Seal
6	2	2933 514	MOULDING PACKAGE, Qtr. Outside and Rear End Cap (23-23-39)
	1	6002 381	Retainer
	7	6002 587	Retainer
	1	6027 625	Nut
7	1	2901 890	PANEL, Deck Lid Finish (23-23-30)
	6	441 239	Nut
	6	6002 385	Retainer w/Seal
	2	6026 523	Nut
8	1	2807 616-7	MOULDING PACKAGE, Rear Wdo. Outside, Upr. and Side (23-23-52)
	12	6002 206	Retainer Screw and Seal
9	1	2807 702-3	MOULDING PACKAGE, Deck Opng. Upr. Pnl., use w/Two Tone Paint and Vinyl Roof (23-23-31)
	9	6001 596	Retainer & Seal
	9	9420 276	Nut
10	1	2807 614-5	MOULDING PACKAGE, Rear Wdo. Outside, Lwr. (23-23-52)
	10	6002 206	Retainer Screw and Seal
11	1	2807 700-1	MOULDING PACKAGE, Roof Outside Belt, use w/Vinyl Roof and Two Tone Paint (23-23-42)
	6	6002 192	Fastener
12	2	2449 932	MEDALLION, Roof Side, w/Vinyl Roof (23-34-334)
	4	9420 263	Nut

REF. NO.	QTY	PART NUMBER	DESCRIPTION
13	1	2783 020-1	MOULDING, Roof Side Drain Trough, w/o Vinyl Roof (23-59-61)
	AR	----	Spacer
	1	2840 982-3	MOULDING, Roof Side Drain Trough, w/Vinyl Roof (23-59-61)
14	2	2783 028	COVER, Roof Side Drain Trough Mldg. Joint (23-59-57)
15	1	2783 018-9	MOULDING, Body Frt. Pillar Drain Trough (23-59-61)
	AR	----	Spacer
16	1	2807 882-3	MOULDING PACKAGE, Body Frt. Pillar Trim, use w/Vinyl Roof and Two Tone Paint (23-23-14)
	2	6027 205	Screw
17	1	2932 446-7	MOULDING PACKAGE, Windshield Outside, Side (23-23-65)
	6	6002 263	Retainer
18	1	2932 445	MOULDING PACKAGE, Windshield Outside, Lwr. (23-23-65)
	5	6002 263	Retainer
	4	6002 615	Retainer
19	1	2932 450-1	MOULDING PACKAGE, Windshield Outside, Upr. (23-23-65)
	8	6002 263	Retainer
20	1	2807 758-9	MOULDING PACKAGE, Hood Front (15-25-2)
	4	116 000	Nut
	4	6002 170	Retainer, w/Stud
21	1	2898 866	NAME PLATE, Hood (15-06-3)
	3	9420 278	Nut
22	1	2807 757	CAP PACKAGE, Hood Front Moulding (15-25-5)
	1	116 000	Nut
23	1	2933 508-9	MOULDING PACKAGE, Fender Side (12-15-2)
	2	6026 523	Nut
	2	6002 691	Retainer
	8	6002 693	Retainer
	2	6002 637	Retainer
24	1	2785 540	MEDALLION, Fender Side (12-15-21)
	1	6026 404	Nut
25	1	2807 766-7	MOULDING PACKAGE, Fender Whl. Opng. (12-15-2)
	8	6028 545	Screw

All Packages Include Attaching Parts

Part Type Code is Indicated in Parentheses

EXTERIOR VIEW - DART CUSTOM L-H 2 DOOR HARDTOP



19a2557

EXTERIOR VIEW - DART GT L-P 2 DOOR HARDTOP

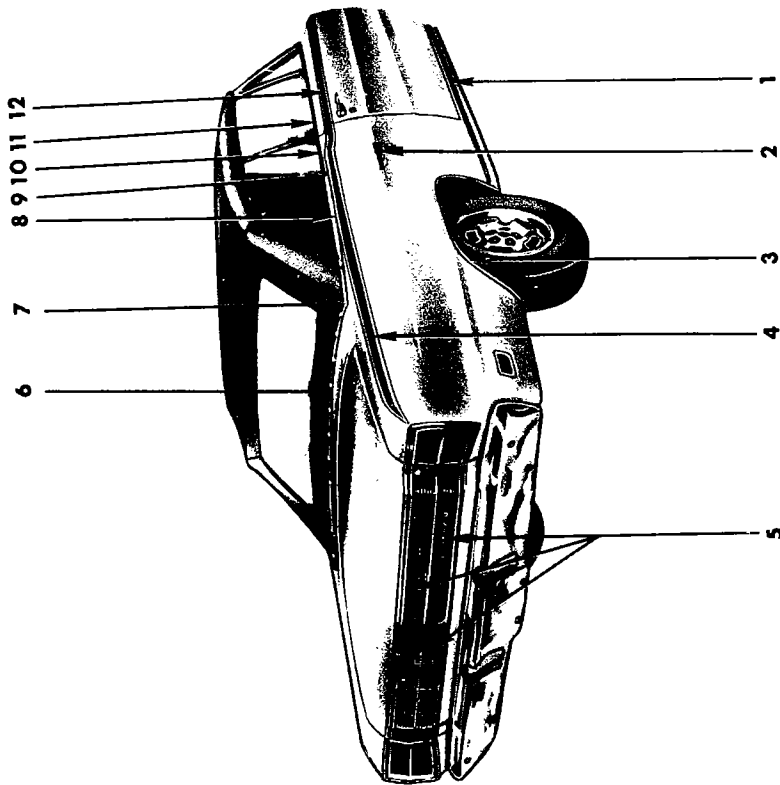
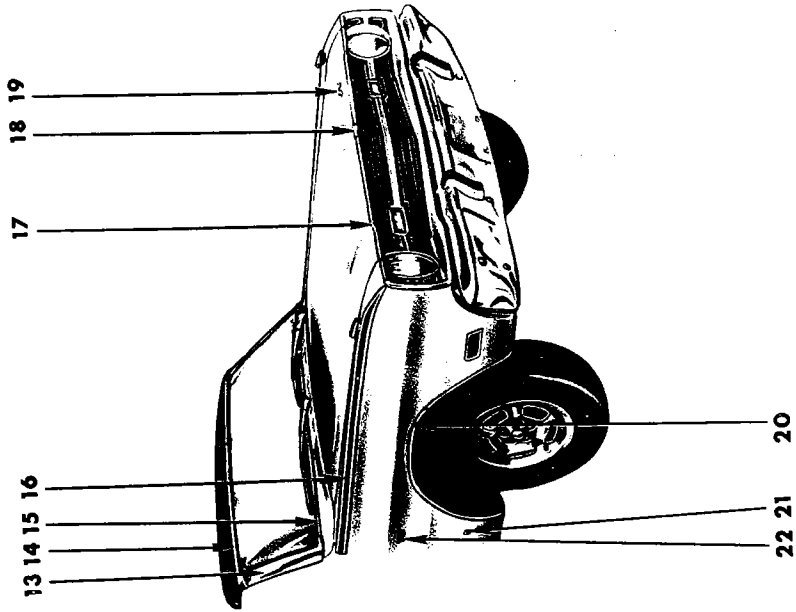
REF. NO.	QTY	PART NUMBER	DESCRIPTION	REF. NO.	QTY	PART NUMBER	DESCRIPTION
1	1	2933 524-5	MOULDING PACKAGE, Door Outside (23-23-32)	14	1	2783 020-1	MOULDING, Roof Side Drain Trough, w/o Vinyl Roof (23-59-61)
	8	6002 696	Retainer		AR	----	Spacer
	4	6002 718	Fastener		1	2840 982-3	MOULDING, Roof Side Drain Trough, w/Vinyl Roof (23-59-61)
	8	6024 271	Screw		AR	----	Spacer
	4	6026 523	Nut	15	1	3004 244-5	MOULDING PACKAGE, Door Outside Belt (23-23-32)
2	2	2807 906	MOULDING PACKAGE, Body Side Sill (23-23-2)		14	6002 398	Retainer and Seal
	8	6001 428	Retainer and Seal	16	2	2783 028	COVER, Roof Side Drain Trough Mldg. Joint (23-59-57)
	2	6026 760	Screw	17	1	2783 018-9	MOULDING, Body Frt. Pillar Drain Trough (23-59-61)
3	2	2901 896	NAME PLATE, Qtr. Outside, "Dart G/T" (23-34-238)		AR	----	Spacer
	6	9420 263	Nut	18	1	2807 882-3	MOULDING PACKAGE, Body Frt. Pillar Trim, use w/Vinyl Roof and Two Tone Paint (23-23-14)
4	1	2932 594-5	MOULDING PACKAGE, Qtr. Outside Whl. Opng. (23-23-39)		2	6027 205	Screw
	16	6024 271	Screw w/Seal	19	1	2932 446-7	MOULDING PACKAGE, Windshield Outside, Side (23-23-65)
5	1	3419 056-7	MOULDING PACKAGE, Qtr. Outside (23-23-39)		6	6002 263	Retainer
	16	6002 696	Retainer	20	1	2932 445	MOULDING PACKAGE, Windshield Outside, Lwr. (23-23-65)
	16	6024 271	Screw		5	6002 263	Retainer
6	1	2963 391	PANEL, Deck Lid Finish, "GT" (23-23-30)		4	6002 615	Retainer
	10	441 239	Nut	21	1	2932 450-1	MOULDING PACKAGE, Windshield Outside, Upr. (23-23-65)
	4	6026 523	Nut		8	6002 263	Retainer
7	1	2807 616-7	MOULDING PACKAGE, Rear Wdo. Outside, Upr. and Side (23-23-52)	22	1	2898 868	NAME PLATE, Hood Front (15-06-3)
	12	6002 206	Retainer Screw and Seal		2	9420 278	Nut
8	1	2807 614-5	MOULDING PACKAGE, Rear Wdo. Outside, Lwr. (23-23-52)	23	1	2807 757	CAP PACKAGE, Hood Front Mldg. Center (15-25-5)
	10	6002 206	Retainer Screw and Seal		1	116 000	Nut
9	1	2807 702-3	MOULDING PACKAGE, Deck Opng. Upr. Pnl., use w/Vinyl Roof and Two Tone Paint (23-23-31)	24	1	2807 758-9	MOULDING PACKAGE, Hood Front (15-25-2)
	9	6001 596	Retainer and Seal		4	116 000	Nut
	9	9420 276	Nut		4	6002 170	Retainer
10	1	2807 700-1	MOULDING PACKAGE, Roof Outside Belt, use w/Vinyl Roof and Two Tone Paint (23-23-42)	25	1	2933 510-1	MOULDING PACKAGE, Fender Side (12-15-2)
	6	6002 192	Fastener		2	441 239	Nut
11	2	2449 932	MEDALLION, Roof Side, w/Vinyl Roof (23-34-334)		2	6002 818	Retainer
	4	9420 263	Nut		14	6002 696	Retainer
12	1	3004 246-7	MOULDING PACKAGE, Qtr. Outside Belt, Rr. (23-23-39)	26	1	2807 766-7	MOULDING PACKAGE, Fender Whl. Opng. (12-15-2)
	2	6002 398	Screw w/Seal		8	6024 271	Screw
13	1	3004 242-3	MOULDING PACKAGE, Qtr. Outside Belt, Frt. (23-23-39)	27	2	2579 748	ORNAMENT, Fender Side (12-15-21)
	8	6002 398	Retainer and Seal		2	6027 352	Nut

All Packages Include Attaching Parts

Part Type Code is Indicated in Parentheses

EXTERIOR VIEW - DART GT L-P 2 DOOR HARDTOP

19a2559



EXTERIOR VIEW - DART GT L-P CONVERTIBLE COUPE

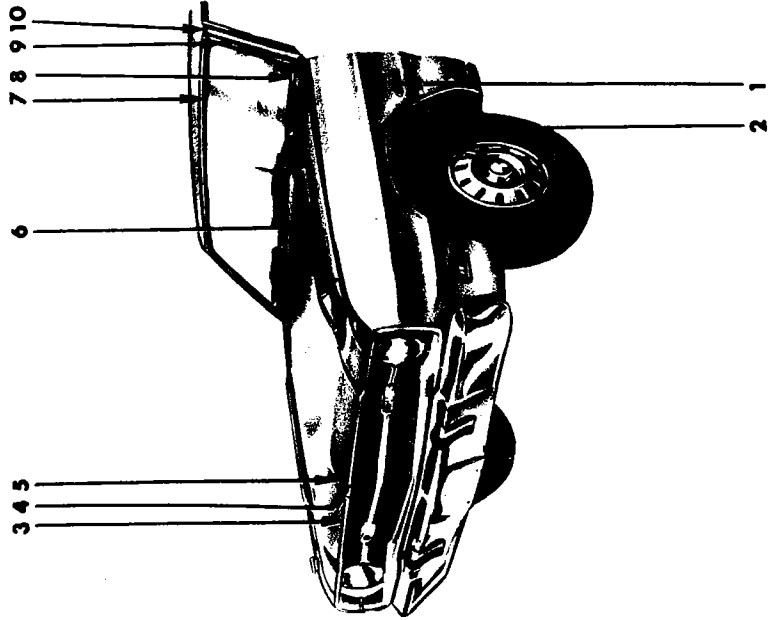
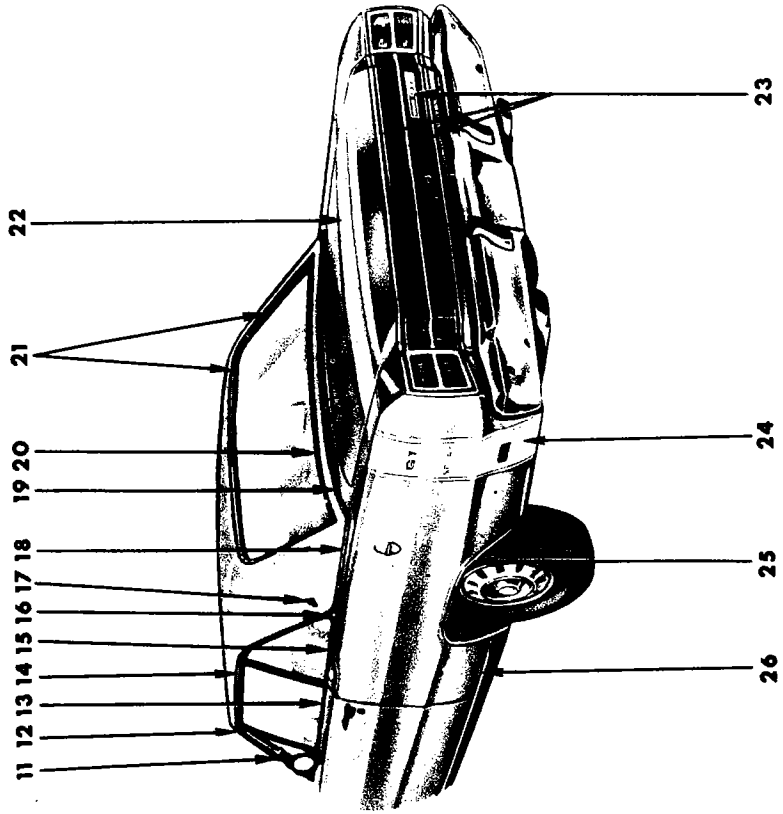
REF. NO.	QTY	PART NUMBER	DESCRIPTION	REF. NO.	QTY	PART NUMBER	DESCRIPTION
1	1	2807 906	MOULDING PACKAGE, Body Side Sill (23-23-2)	11	1	3004 244-5	MOULDING PACKAGE, Door Outside Belt (23-23-32)
	8	6001 428	Retainer and Seal		14	6002 398	Retainer and Seal
	2	6026 760	Screw	12	1	2933 524-5	MOULDING PACKAGE, Door Outside (23-23-32)
2	2	2901 896	NAME PLATE, Qtr. Outside, "Dart G/T" (23-34-238)		8	6002 696	Retainer
	6	9420 263	Nut		4	6002 718	Fastener
3	1	2932 594-5	MOULDING PACKAGE, Qtr. Outside Whl. Opng. (23-23-39)		8	6024 271	Screw
	16	6024 271	Screw w/Seal		4	6026 523	Nut
4	1	3419 056-7	MOULDING PACKAGE, Qtr. Outside (23-23-39)	13	1	2782 018-9	MOULDING, Windshield Outside, Side (23-23-65)
	16	6002 696	Retainer		6	9415 910	Screw
	16	6024 271	Screw	14	1	2807 776-7	MOULDING PACKAGE, Windshield Header Outside, Upr. (23-23-65)
5	1	2963 391	PANEL, Deck Lid Finish, "GT" (23-23-30)		6	6026 220	Screw
	10	441 239	Nut	15	1	2839 148	LOCKINGSTRIP, Windshield Glass Weatherstrip (23-66-239)
	4	6026 523	Nut		16	2933 510-1	MOULDING PACKAGE, Fender Side (12-15-2)
6	1	2605 800-1	MOULDING, Deck Opng. Upr. Pnl. (23-23-31)		2	441 239	Nut
	11	6002 249	Retainer	17	1	2807 758-9	MOULDING PACKAGE, Hood Front (15-25-2)
	11	6026 087	Stud Fastener		4	116 000	Nut
7	1	2605 798-9	MOULDING, Qtr. Outside Belt, Rear Corner (23-23-39)		4	6002 170	Retainer
	2	6002 249	Retainer	18	1	2807 757	CAP PACKAGE, Hood Front Moulding Center (15-25-5)
	2	6026 087	Stud Fastener		1	116 000	Nut
8	1	2605 796-7	MOULDING, Qtr. Outside Belt, Rear (23-23-39)	19	1	2898 868	NAME PLATE, Hood (GT) (15-06-3)
	12	6002 249	Retainer		2	9420 278	Nut
	12	6026 087	Stud Fastener	20	1	2807 766-7	MOULDING PACKAGE, Fender Whl. Opng. (12-15-2)
9	1	2932 228-9	MOULDING PACKAGE, Qtr. Outside Belt, Intermediate (23-23-39)		8	6024 271	Screw
	2	6024 638	Screw	21	1	2785 540	MEDALLION, Fender Side (Pentastar) (12-15-21)
10	1	2605 794-5	MOULDING, Qtr. Outside Belt, Frt., use w/o Belt Mldg. (23-23-39)		1	6026 404	Nut
	1	2932 226-7	MOULDING PACKAGE, Qtr. Outside Belt, Frt., use w/Belt Mldg. (23-23-39)	22	2	2579 748	ORNAMENT, Fender Side (V-8) (12-15-21)
	4	6002 398	Retainer w/Seal		2	6027 352	Nut

All Packages Include Attaching Parts

Part Type Code is Indicated in Parentheses

EXTERIOR VIEW - DART GT L-P CONVERTIBLE COUPE

19a2469



EXTERIOR VIEW - DART GTS L-S 2 DOOR HARDTOP

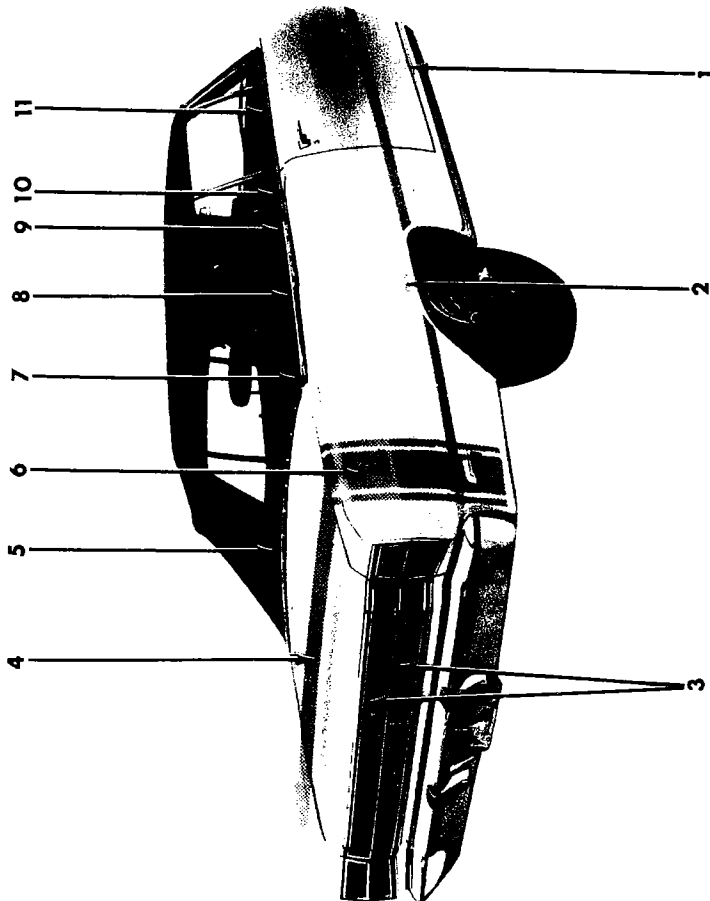
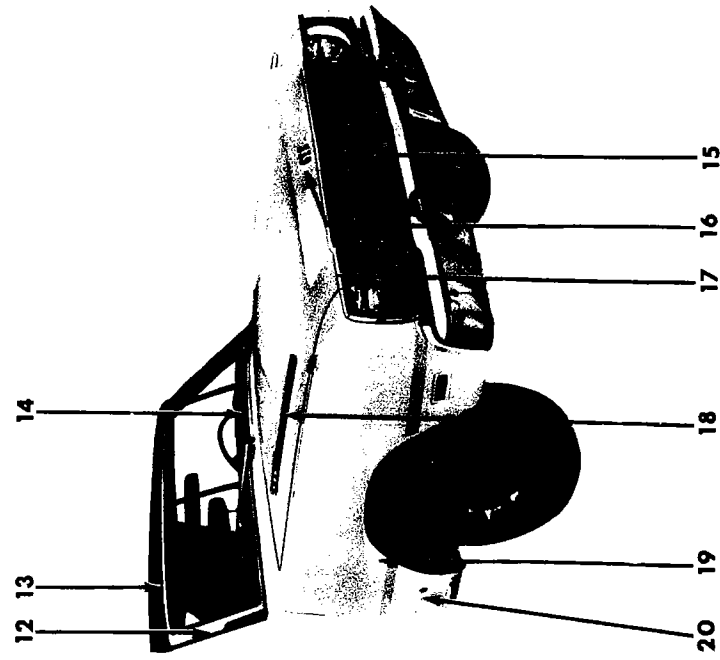
REF. NO.	QTY	PART NUMBER	DESCRIPTION	REF. NO.	QTY	PART NUMBER	DESCRIPTION
1	2	2901 895	NAME PLATE, Fender Side (12-15-21)	15	1	3004 242-3	MOULDING PACKAGE, Qtr. Outside Belt, Frt. (23-23-39)
	4	6027 466	Nut		8	6002 398	Retainer and Seal
2	1	2807 766-7	MOULDING PACKAGE, Fender Wheel Opng. (12-15-2)	16	1	3004 246-7	MOULDING PACKAGE, Qtr. Outside Belt, Rr. (23-23-39)
	8	6024 271	Screw		2	6002 398	Screw w/Seal
3	1	2807 758-9	MOULDING PACKAGE, Hood Front (15-25-2)	17	2	2449 932	MEDALLION, Roof Side, w/Vinyl Roof (23-34-334)
	4	116 000	Nut		4	9420 263	Nut
	4	6002 170	Retainer	18	1	2807 700-1	MOULDING PACKAGE, Roof Outside Belt, use w/Vinyl Roof and Two Tone Paint (23-23-42)
4	1	2807 757	CAP PACKAGE, Hood Front Moulding (15-25-5)		6	6002 192	Fastener
	1	116 000	Nut	19	1	2807 702-3	MOULDING PACKAGE, Deck Opng. Upr. Pnl. (23-23-31)
5	1	2898 867	NAME PLATE, Hood Front (15-06-3)		9	6001 596	Retainer and Seal
	2	9420 278	Nut		9	9420 276	Nut
6	1	2949 150-1	ORNAMENT, Hood Side (340) (15-03-18)	20	1	2807 614-5	MOULDING PACKAGE, Rear Wdo. Outside, Lwr. (23-23-52)
	1	2949 148-9	(383)		10	6002 206	Retainer Screw and Seal
	10	----	Nut	21	1	2807 616-7	MOULDING PACKAGE, Rear Wdo. Outside, Upr. and Side (23-23-52)
	10	2786 863	Washer (15-06-24)		12	6002 206	Retainer Screw and Seal
	2	2786 524	Welt (15-03-47)	22	1	2902 510	TAPE, Deck Lid Color Stripe, "White" (23-23-12)
7	1	2932 450-1	MOULDING PACKAGE, Windshield Outside, Upr. (23-23-65)		1	2902 511	"Black"
	8	6002 263	Retainer		1	2902 512	"Red"
8	1	2932 445	MOULDING PACKAGE, Windshield Outside, Lwr. (23-23-65)	23	1	2963 392	PANEL, Deck Lid Finish, "G. T." (23-23-30)
	5	6002 263	Retainer		10	441 239	Nut
	4	6002 615	Retainer		4	6026 523	Nut
9	1	2932 446-7	MOULDING PACKAGE, Windshield Outside, Side (23-23-65)	24	1	2902 514-5	TAPE, Qtr. Pnl. Color Stripe, "White" (23-23-12)
	6	6002 263	Retainer		1	2902 516-7	"Black"
10	1	2807 882-3	MOULDING PACKAGE, Frt. Pillar Trim, use w/Vinyl Roof and Two Tone Paint (23-23-14)		1	2902 518-9	"Red"
	1	2783 018-9	MOULDING, Body Frt. Pillar Outside (23-59-61)	25	1	2932 594-5	MOULDING PACKAGE, Qtr. Outside Whl. Opng. (23-23-39)
	AR	----	Spacer		16	6024 271	Screw w/Seal
12	2	2783 028	COVER, Roof Side Drain Trough Mldg. Joint (23-59-57)	26	2	2807 906	MOULDING PACKAGE, Body Side Sill (23-23-2)
13	1	3004 244-5	MOULDING PACKAGE, Door Outside Belt (23-23-32)		8	6001 428	Retainer and Seal
	14	6002 398	Retainer and Seal		2	6026 760	Screw
14	1	2783 020-1	MOULDING, Roof Side Drain Trough, w/o Vinyl Roof (23-59-61)				
	AR	----	Spacer				
	1	2840 982-3	MOULDING, Roof Side Drain Trough, w/Vinyl Roof (23-59-61)				

All Packages Include Attaching Parts

Part Type Code is Indicated in Parentheses

EXTERIOR VIEW - DART GTS L-S 2 DOOR HARDTOP

19a2560



EXTERIOR VIEW - DART GTS L-S CONVERTIBLE COUPE

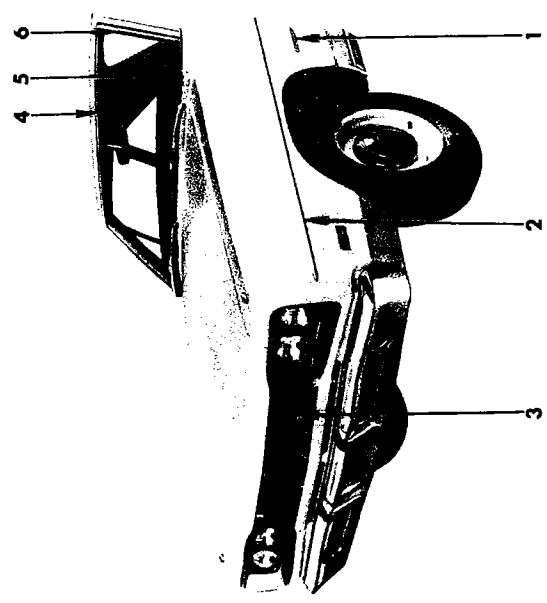
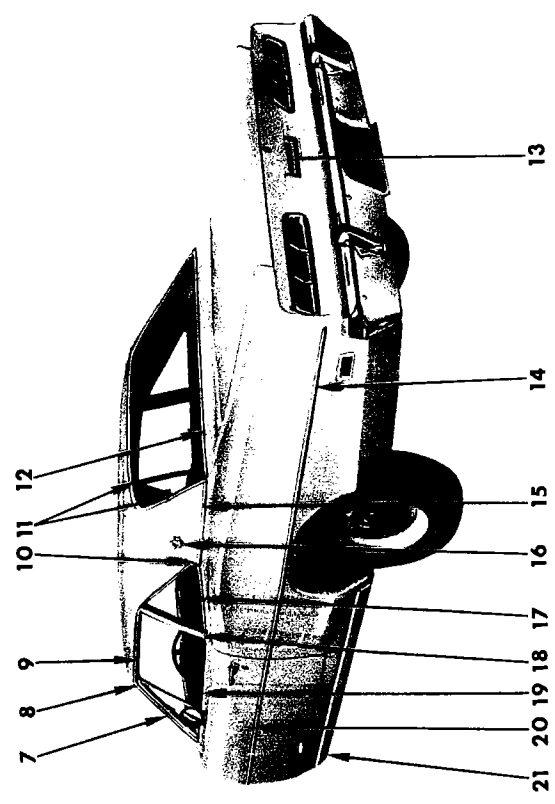
REF. NO.	QTY	PART NUMBER	DESCRIPTION	REF. NO.	QTY	PART NUMBER	DESCRIPTION
1	2	2807 906	MOULDING PACKAGE, Body Side Sill (23-23-2)	11	1	3004 244-5	MOULDING PACKAGE, Door Outside Belt (23-23-32)
	8	6001 428	Retainer and Seal		14	6002 398	Retainer and Seal
	2	6026 760	Screw	12	1	2782 018-9	MOULDING, Windshield Outside Side (23-23-65)
2	1	2932 594-5	MOULDING PACKAGE, Qtr. Outside Wheel Opng. (23-23-39)		6	9415 910	Screw
	16	6024 271	Screw w/Seal	13	1	2807 776-7	MOULDING PACKAGE, Windshield Header Outside, Upr. (23-23-65)
3	1	2963 392	PANEL, Deck Lid Finish, G. T. S. (23-23-30)		6	6026 220	Screw
	10	441 239	Nut	14	1	2839 148	LOCKINGSTRIP, Windshield Glass Weatherstrip (23-66-239)
	4	6026 523	Nut	15	1	2807 757	CAP PACKAGE, Hood Front Moulding Center (15-25-5)
4	1	2902 510	TAPE, Deck Lid Color Stripe, "White" (23-23-12)		1	116 000	Nut
	1	2902 511	"Black"	16	1	2898 867	NAME PLATE, Hood Front (GTS) (15-06-3)
	1	2902 512	"Red"		2	9420 278	Nut
5	1	2605 800-1	MOULDING, Deck Opng. Upr. Pnl. (23-23-31)	17	1	2807 758-9	MOULDING PACKAGE, Hood Front (15-25-2)
	11	6002 249	Retainer		4	116 000	Nut
	11	6026 087	Stud Fastener		4	6002 170	Retainer
6	1	2902 514-5	TAPE, Qtr. Pnl. Color Stripe, "White" (23-23-12)	18	1	2949 150-1	ORNAMENT, Hood Side (340) (15-03-18)
	1	2902 516-7	"Black"		1	2949 148-9	(383)
	1	2902 518-9	"Red"		10	----	Nut
7	1	2605 798-9	MOULDING, Qtr. Outside Belt, Rr. Corner (23-23-39)		10	2786 863	Washer
	2	6002 249	Retainer		2	2786 524	Welt
	2	6026 087	Stud Fastener	19	1	2807 766-7	MOULDING PACKAGE, Fender Wheel Opening (12-15-2)
8	1	2605 796-7	MOULDING, Qtr. Outside Belt, Rear (23-23-39)		8	6024 271	Screw
	12	6002 249	Retainer	20	1	2785 540	MEDALLION, Fender Side (Pentastar) (12-15-21)
	12	6026 087	Stud Fastener		1	6026 404	Nut
9	1	2932 228-9	MOULDING PACKAGE, Qtr. Outside Belt, Intermediate (23-23-39)				
	2	6024 638	Screw				
10	1	2605 794-5	MOULDING, Qtr. Outside Belt, Frt., use w/o Belt Mldg. (23-23-39)				
	1	2932 226-7	MOULDING PACKAGE, Qtr. Outside Belt, Frt., use w/Belt Mldg.				
	4	6002 398	Retainer and Seal				

All Packages Include Attaching Parts

Part Type Code is Indicated in Parentheses

EXTERIOR VIEW - DART GTS L-S CONVERTIBLE COUPE

19a2536



EXTERIOR VIEW - CORONET DELUXE W-L 2 DOOR SEDAN

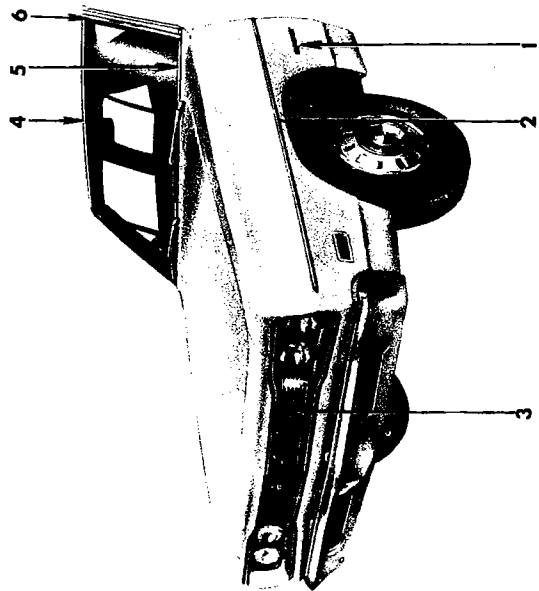
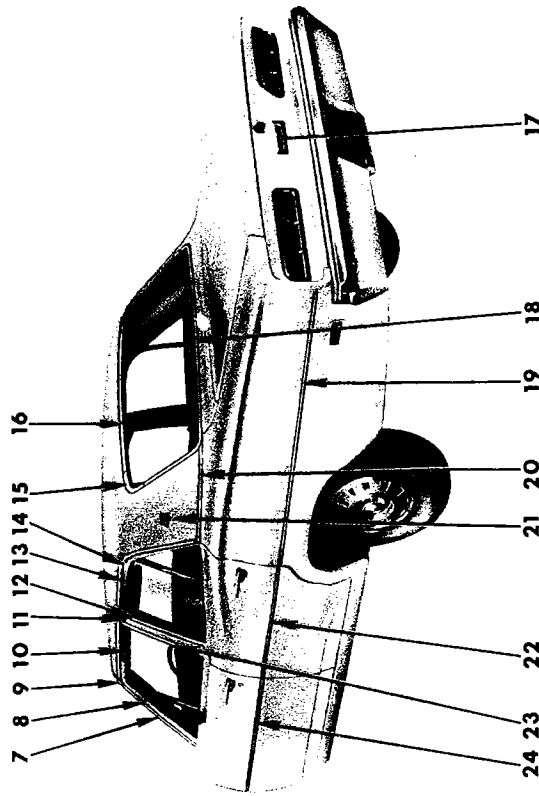
REF. NO.	QTY	PART NUMBER	DESCRIPTION	REF. NO.	QTY	PART NUMBER	DESCRIPTION
1	2	2901 751	NAME PLATE, Fender Side (12-15-21)	12	1	3004 392-3	MOULDING PACKAGE, Rear Wdo. Outside, Lwr. (23-23-52)
	4	6027 352	Nut		7	6001 084	Retainer and Screw
2	2	3419 001	MOULDING PACKAGE, Fender Side (12-15-2)	13	1	2901 813	NAME PLATE, Deck Opening Lwr. Pnl., "Dodge" (23-34-184)
	4	6026 523	Nut		2	9420 294	Nut
	4	6002 604	Retainer	14	2	2933 870	MOULDING PACKAGE, Qtr. Outside (23-23-39)
	2	6002 602	Retainer		6	6002 602	Retainer
3	1	2898 335	NAME PLATE, Radiator Grille (7-16-61)		3	6002 604	Retainer
4	1	2811 259	MOULDING, Windshield Outside, Upr. (23-23-65)		3	6024 152	Nut
	8	6002 263	Retainer Screw and Seal	15	1	2932 118-9	MOULDING PACKAGE, Qtr. Outside Belt, use w/Vinyl Roof and Two Tone Paint (23-23-39)
5	1	2811 888-9	MOULDING, Windshield Outside Finish, Lwr. (23-23-65)		6	6002 065	Retainer
	10	6001 855	Retainer	16	2	2841 393	MEDALLION, Roof Side, w/Vinyl Roof (23-34-334)
	10	6023 248	Screw		2	6027 265	Seal
6	1	2811 260-1	MOULDING, Windshield Outside Finish, Side (23-23-65)		2	6027 564	Screw
	6	6002 263	Retainer Screw and Seal	17	1	2932 106-7	MOULDING and T/PLATE PACKAGE, Qtr. Wdo. Outside Belt (23-23-73)
7	1	2840 280-1	MOULDING, Body Frt. Pillar Drain Trough, w/o Vinyl Roof (23-59-61)		2	6023 898	Screw
	2	---- ---	Spacer		8	6026 552	J-Nut
	1	2932 512-3	MOULDING PACKAGE, Body Frt. Pillar Drain Trough, w/Vinyl Roof (23-59-61)		8	9414 752	Screw
	2	---- ---	Spacer	18	1	2840 894-5	MOULDING, Body Lock Upr. Pillar Outside (23-23-16)
8	2	2783 028	COVER, Roof Side Drain Trough Mldg. Joint (23-59-57)		8	6024 271	Screw
9	1	2840 282-3	MOULDING, Roof Side Drain Trough, w/o Vinyl Roof (23-59-61)	19	1	2932 098-9	MOULDING PACKAGE, Door Outside Belt (23-23-32)
	6	---- ---	Spacer		12	6002 549	Retainer
	1	2841 504-5	MOULDING, Roof Side Drain Trough, w/Vinyl Roof (23-59-61)	20	2	2933 850	MOULDING PACKAGE, Door Outside (23-23-32)
	6	---- ---	Spacer		4	6002 602	Retainer
10	1	2840 884-5	CAP, Roof Side Drain Trough Mldg. End (23-59-57)		2	6002 604	Retainer
	2	6024 271	Screw		2	6026 523	Nut
11	1	3004 390-1	MOULDING PACKAGE, Rear Wdo. Outside, Side and Upr. (23-23-52)	21	1	2932 180-1	MOULDING PACKAGE, Body Side Sill Outside (23-23-2)
	10	6001 084	Retainer and Screw		2	6002 443	Retainer
					18	6002 445	Retainer
					2	116 000	Nut

All Packages Include Attaching Parts

Part Type Code is Indicated in Parentheses

EXTERIOR VIEW - CORONET DELUXE W-L 2 DOOR SEDAN

19a2562



EXTERIOR VIEW - CORONET DELUXE W-L 4 DOOR SEDAN

1969 PASSENGER CAR PARTS CATALOG

BODY

Illus. Page 23-235

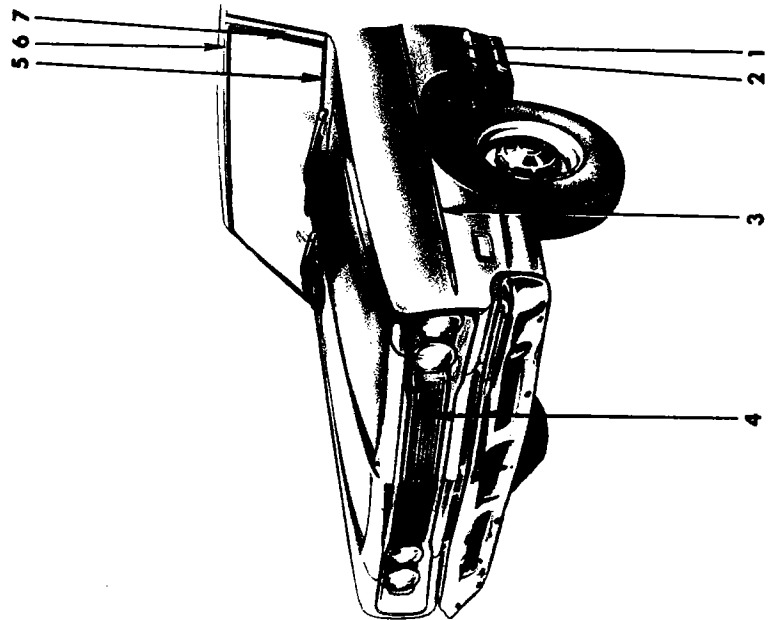
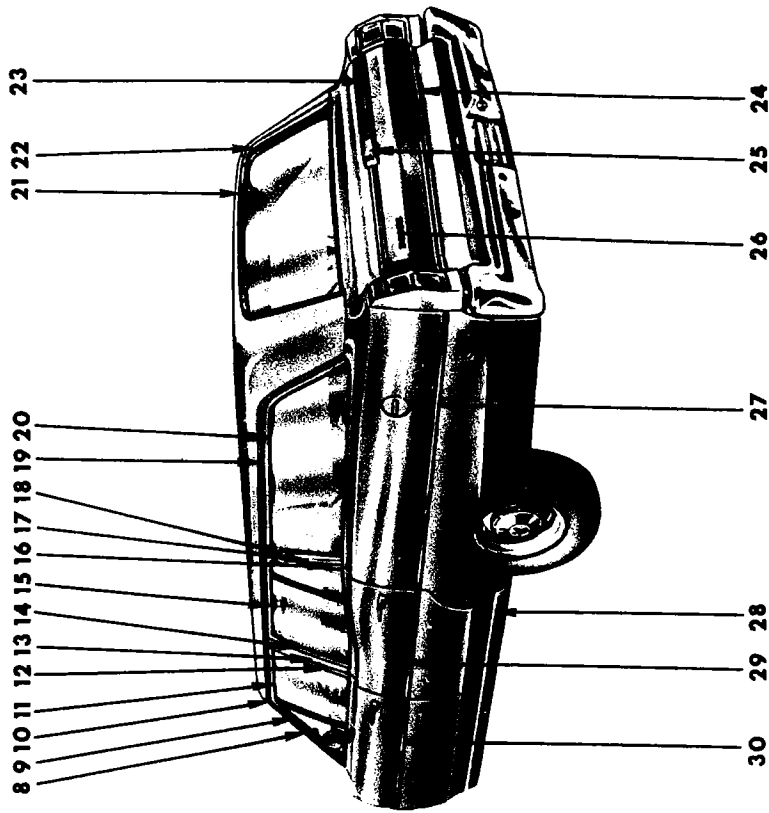
REF. NO.	QTY	PART NUMBER	DESCRIPTION	REF. NO.	QTY	PART NUMBER	DESCRIPTION
1	2	2901 751	NAME PLATE, Fender Side (Coronet) (12-15-21)	14	1	2811 438-9	MOULDING, Rear Door Wdo. Opng. Frame, Upr. (23-23-33)
	4	6027 352	Nut	15	1	3004 384-5	MOULDING PACKAGE, Rear Wdo. Outside, Upr. Corner (23-23-52)
2	2	3419 001	MOULDING PACKAGE, Fender Side (12-15-2)		4	6001 084	Retainer and Screw
	4	6026 523	Nut	16	1	3004 388	MOULDING PACKAGE, Rear Wdo. Outside, Upr. (23-23-52)
	4	6002 604	Retainer		4	6001 084	Retainer and Screw
	2	6002 602	Retainer	17	1	2901 813	NAME PLATE, Deck Opening Lwr. Pnl., "Dodge" (23-34-184)
3	1	2898 335	NAME PLATE, Radiator Grille (7-16-61)		2	9420 294	Nut
4	1	2584 699	MOULDING PACKAGE, Wind-shield Outside, Upr. (23-23-65)	18	1	3004 386-7	MOULDING PACKAGE, Rear Wdo. Outside, Lwr. and Side (23-23-52)
	8	6002 263	Retainer Screw and Seal		10	6001 084	Retainer and Screw
5	1	2585 852-3	MOULDING PACKAGE, Wind-shield Outside, Lwr. (23-23-65)	19	2	2933 871	MOULDING PACKAGE, Qtr. Outside (23-23-39)
	10	6001 855	Retainer and Seal		4	6002 602	Retainer
	1	6002 242	Retainer, Rt.		3	6002 604	Retainer
	1	6002 243	Retainer, Lt.	20	3	6024 152	Nut
	10	6023 248	Screw		3	6024 152	Nut
	2	9418 246	Screw	20	1	2932 130-1	MOULDING PACKAGE, Qtr. Outside Belt, use w/Two Tone Paint (23-23-39)
6	1	2585 850-1	MOULDING PACKAGE, Wind-shield Outside Finish, Side (23-23-65)		6	6024 702	Washer
	6	6002 263	Retainer Screw and Seal		2	9419 948	Screw
7	1	2840 274-5	MOULDING, Body Frt. Pillar Drain Trough, w/o Vinyl Roof (23-59-61)		6	9420 278	Nut
	2	-----	Spacer	21	2	2841 393	MEDALLION, Roof Side, w/Vinyl Roof (23-34-334)
	1	2932 514-5	MOULDING PACKAGE, Body Frt. Pillar Drain Trough, w/Vinyl Roof (23-59-61)		2	6027 265	Seal
	2	-----	Spacer		2	6027 564	Screw
8	1	2570 750-1	MOULDING, Frt. Door Wdo. Opng. Frame, Frt. (23-25-32)	22	2	2933 848	MOULDING PACKAGE, Rear Door Outside (23-23-33)
9	2	2783 028	COVER, Roof Side Drain Trough Mldg. Joint (23-59-57)		2	6001 887	Retainer
10	1	2570 752-3	MOULDING, Frt. Door Wdo. Opng. Frame, Upr. (23-23-32)		4	6002 602	Retainer
11	1	2860 636-7	MOULDING, Body Ctr. Pillar Outside Finish (23-23-16)		2	6002 604	Retainer
	8	6024 271	Screw	23	1	2570 754-5	MOULDING, Frt. Door Wdo. Opng. Frame, Rr. (23-23-32)
12	1	2570 914-5	MOULDING, Rear Door Wdo. Opng. Frame, Frt. (23-23-33)	24	2	2933 836	MOULDING PACKAGE, Frt. Door Outside (23-23-32)
13	1	2840 276-7	MOULDING, Roof Side Drain Trough, w/o Vinyl Roof (23-59-61)		6	6002 602	Retainer
	6	-----	Spacer		4	6002 604	Retainer
	1	2841 508-9	MOULDING, Roof Side Drain Trough, w/Vinyl Roof (23-59-61)		4	6026 523	Nut
	6	-----	Spacer				

All Packages Include Attaching Parts

Part Type Code is Indicated in Parentheses

EXTERIOR VIEW - CORONET DELUXE W-L 4 DOOR SEDAN

19a2599



EXTERIOR VIEW - CORONET DELUXE W-L STATION WAGON

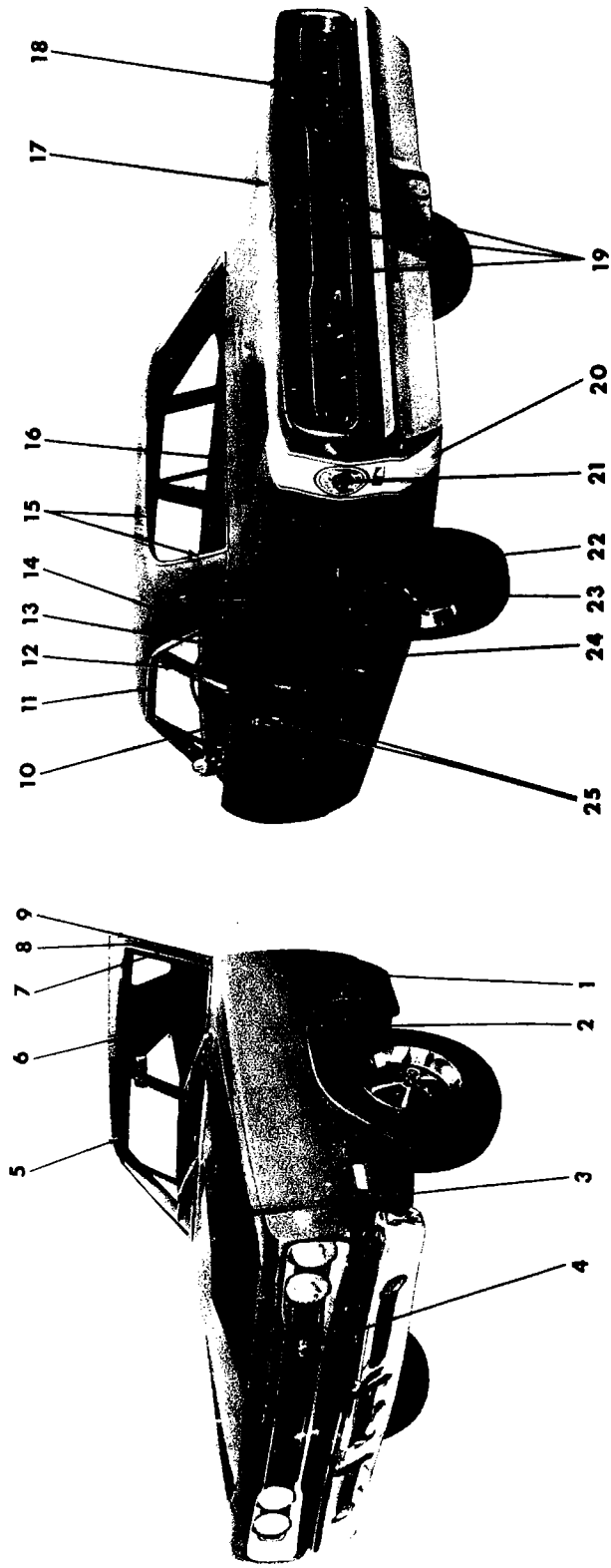
REF. NO.	QTY	PART NUMBER	DESCRIPTION
1	2	2579 701	ORNAMENT, Fender Side (Deluxe) (12-15-21)
	4	6027 352	Nut
2	2	2901 751	NAME PLATE, Fender Side (Coronet) (12-15-21)
	4	6027 352	Nut
3	2	3419 001	MOULDING PACKAGE, Fender Side (12-15-2)
	4	6026 523	Nut
	4	6002 604	Retainer
	2	6002 602	Retainer
4	1	2898 335	NAME PLATE, Radiator Grille (7-16-61)
	2	9420 620	Nut
5	1	2585 852-3	MOULDING PACKAGE, Windshield Outside, Lwr. (23-23-65)
	10	6001 855	Retainer and Seal
	1	6002 242	Retainer, Rt.
	1	6002 243	Retainer, Lt.
	10	6023 248	Screw
	2	9418 246	Screw
6	1	2584 699	MOULDING PACKAGE, Windshield Outside, Upr. (23-23-65)
	8	6002 263	Retainer Screw & Seal
7	1	2585 850-1	MOULDING PACKAGE, Windshield Outside Finish, Side (23-23-65)
	6	6002 263	Retainer Screw & Seal
8	1	2605 854-5	MOULDING, Body Frt. Pillar Drain Trough (23-59-61)
	2	----	Spacer
9	1	2570 750-1	MOULDING, Frt. Door Wdo. Opng. Frame, Frt. (23-23-32)
10	2	2605 208	COVER, Roof Side Drain Trough (23-59-57)
11	1	2570 752-3	MOULDING, Frt. Door Wdo. Opng. Frame, Upr. (23-23-32)
12	1	2570 754-5	MOULDING, Frt. Door Wdo. Opng. Frame, Rr. (23-23-32)
13	1	2860 636-7	PANEL, Body Ctr. Pillar Outside Finish (23-23-16)
	8	6024 271	Screw
14	1	2570 914-5	MOULDING, Rear Door Wdo. Opng. Frame, Frt. (23-23-33)
15	1	2588 466-7	MOULDING, Rear Door Wdo. Opng. Frame, Upr. (23-23-33)
16	1	2811 446-7	MOULDING, Rear Door Wdo. Opng. Frame, Rr. (23-23-33)
17	1	2860 638-9	MOULDING, Qtr. Pnl. Rear Door Lock Pillar Upr. (23-23-16)
	4	6024 271	Screw
18	1	2860 868-9	MOULDING, Qtr. Wdo. Outside, Frt., S/Steel (23-23-73)
	4	6002 054	Retainer
	4	----	Nut

All Packages Include Attaching Parts

REF. NO.	QTY	PART NUMBER	DESCRIPTION
19	1	2840 278-9	MOULDING, Roof Side Drain Trough (23-59-61)
	6	----	Spacer
20	1	2860 866-7	MOULDING, Qtr. Wdo. Outside, Upr., S/Steel (23-23-73)
21	1	2573 303	MOULDING, Roof Rear Tailgate Opng. (23-23-60)
22	1	3004 382-3	MOULDING PACKAGE, Qtr. Pnl. Tailgate Upr. Pillar, Comp. (23-23-60)
	2	6024 564	Screw
23	1	2933 920-1	MOULDING PACKAGE, Tailgate, Upper (23-23-61)
	4	6002 619	Retainer
	8	6002 624	Retainer
	4	6026 523	Nut
24	1	2933 919	MOULDING PACKAGE, Tailgate, Lower (23-23-61)
	2	6002 619	Retainer
	6	6002 624	Retainer
	2	6026 523	Nut
25	1	2862 816	ORNAMENT, Tailgate Elec. Wdo. Regulator Outside
	2	6024 291	Nut w/Washer
26	1	2898 866	NAME PLATE, Tailgate, "Dodge" (23-54-11)
	3	----	Nut
27	2	2933 918	MOULDING PACKAGE, Qtr. Outside (23-23-39)
	7	6002 602	Retainer
	1	6002 604	Retainer
28	1	2933 914-5	MOULDING PACKAGE, Body Side Sill Outside (23-23-2)
	2	6002 443	Retainer
	30	6002 750	Retainer
	2	6026 221	Screw
	2	116 000	Nut
29	2	2933 852	MOULDING PACKAGE, Rear Door Outside (23-23-33)
	1	6001 887	Retainer
	2	6002 602	Retainer
	1	6002 604	Retainer
	1	6026 523	Nut
30	2	2933 836	MOULDING PACKAGE, Frt. Door Outside (23-23-32)
	6	6002 602	Retainer
	4	6002 604	Retainer
	4	6026 523	Nut

Part Type Code is Indicated in Parentheses

EXTERIOR VIEW - CORONET DELUXE W-L STATION WAGON



19a2641

EXTERIOR VIEW - CORONET W-M 2 DOOR SEDAN (SUPER BEE)

REF. NO.	QTY	PART NUMBER	DESCRIPTION
1	2	3444 957	ORNAMENT, Fender Side (383-Magnum) (12-15-21)
	3	6027 352	Nut
2	1	2932 284-5	MOULDING PACKAGE, Fender Wheel Opening (12-15-2)
	7	6027 413	Screw
3	1	2786 712-3	ORNAMENT, Hood Top (15-03-18)
	8	9420 293	Nut
	8	2786 863	Washer
	2	2786 955	Welt
4	1	2949 303	ORNAMENT, Radiator Grille, Bee (7-17-1)
	2	9420 620	Nut
5	1	2811 259	MOULDING, Windshield Outside, Upr. (23-23-65)
	8	6002 263	Retainer Screw & Seal
6	1	2811 888-9	MOULDING, Windshield Outside Finish, Lwr. (23-23-65)
	10	6001 855	Retainer
	10	6023 248	Screw
7	1	2811 260-1	MOULDING, Windshield Outside Finish, Side (23-23-65)
	6	6002 263	Retainer Screw & Seal
8	1	2840 280-1	MOULDING, Body Frt. Pillar Drain Trough, w/o Vinyl Roof (23-59-61)
	2	-----	Spacer
	1	2932 512-3	MOULDING PACKAGE, Body Frt. Pillar Drain Trough, w/Vinyl Roof (23-59-61)
	2	-----	Spacer
9	2	2783 028	COVER, Roof Side Drain Trough Mldg. Joint (23-59-57)
10	1	2932 098-9	MOULDING PACKAGE, Door Outside Belt (23-23-32)
	12	6002 549	Retainer
11	1	2840 282-3	MOULDING, Roof Side Drain Trough, w/o Vinyl Roof (23-59-61)
	6	-----	Spacer
	1	2841 504-5	MOULDING, Roof Side Drain Trough, w/Vinyl Roof (23-59-61)
	6	-----	Spacer
12	1	2840 894-5	MOULDING, Body Lock Upr. Pillar Outside (23-23-16)
	8	6024 271	Screw
13	1	2932 106-7	MOULDING PACKAGE, Qtr. Wdo. Outside Belt (23-23-73)
	2	6023 898	Screw
	8	6026 552	J Nut
	8	9414 752	Screw

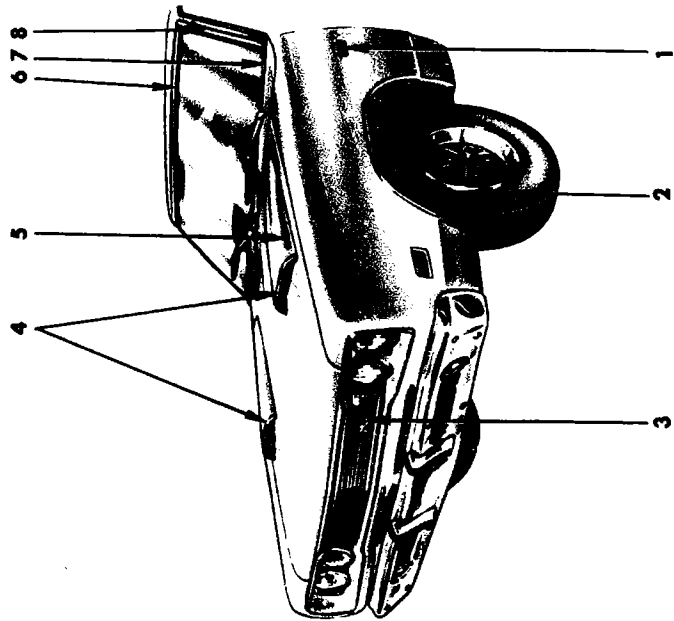
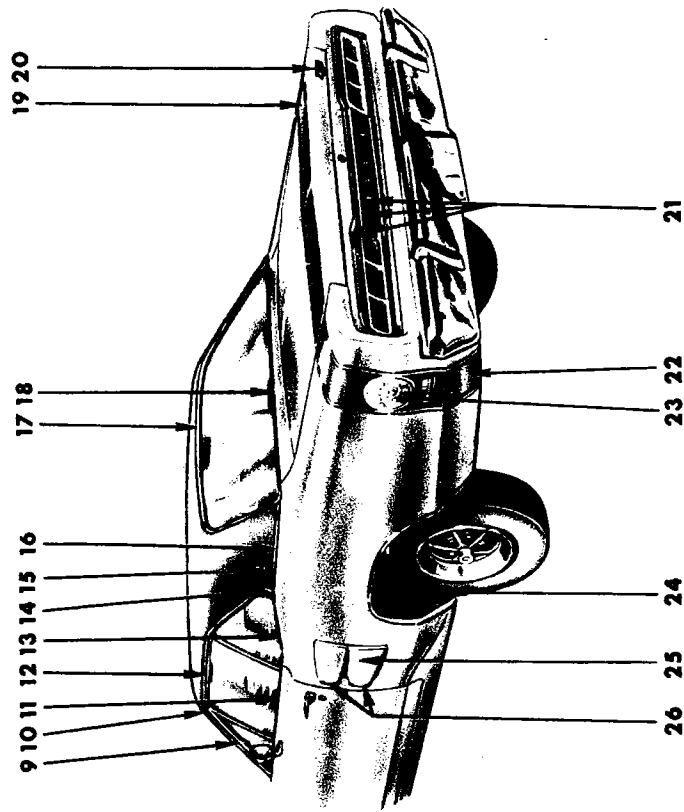
REF. NO.	QTY	PART NUMBER	DESCRIPTION
14	1	2840 884-5	CAP, Roof Side Drain Trough Mldg. End (23-59-57)
	2	6024 271	Screw
15	1	3004 390-1	MOULDING PACKAGE, Rear Wdo. Outside, Side & Upr. (23-23-52)
	10	6001 084	Retainer & Screw
16	1	3004 392-3	MOULDING PACKAGE, Rear Wdo. Outside, Lwr. (23-23-52)
	7	6001 084	Retainer and Screw
17	1	2964 482	TAPE, Deck Lid Transverse Color Stripe, "White" (23-23-12)
	1	2964 816	"Red"
	1	2964 817	"Black"
18	1	2964 635	ORNAMENT, Deck Lid, "Bee" (23-19-114)
	2	6000 050	Clip
19	1	2964 857	PANEL, Deck Opng. Lwr. Finish (23-23-28)
	13	2423 737	Cap Screw
	14	6027 564	Screw
	2	9420 294	Nut
20	1	2965 662-3	TAPE, Qtr. Pnl. Transverse Color Stripe, "White" (23-23-12)
	1	2965 664-5	"Red"
	1	2965 666-7	"Black"
21	1	2842 940-1	DECAL, Qtr. Pnl., Super Bee (Black) (23-34-334)
	1	2842 952-3	DECAL, Qtr. Pnl., Super Bee (White)
22	1	2932 118-9	MOULDING PACKAGE, Qtr. Outside Belt, use w/Vinyl Roof & Two Tone Paint (23-23-39)
	6	6002 065	Retainer
23	2	2841 393	MEDALLION, Roof Side (23-34-334)
	2	6027 265	Seal
	2	6027 564	Screw
24	1	2932 112-3	MOULDING PACKAGE, Qtr. Outside Whl. Opng. (23-23-39)
	16	6024 271	Screw w/Sealer
25	2	2901 806-7	MOULDING, Qtr. Outside Air Intake Ornament (23-23-39)
	8	6027 493	Screw

All Packages Include Attaching Parts

Part Type Code is Indicated in Parentheses

EXTERIOR VIEW - CORONET W-M 2 DOOR SEDAN (SUPER BEE)

19a-2597



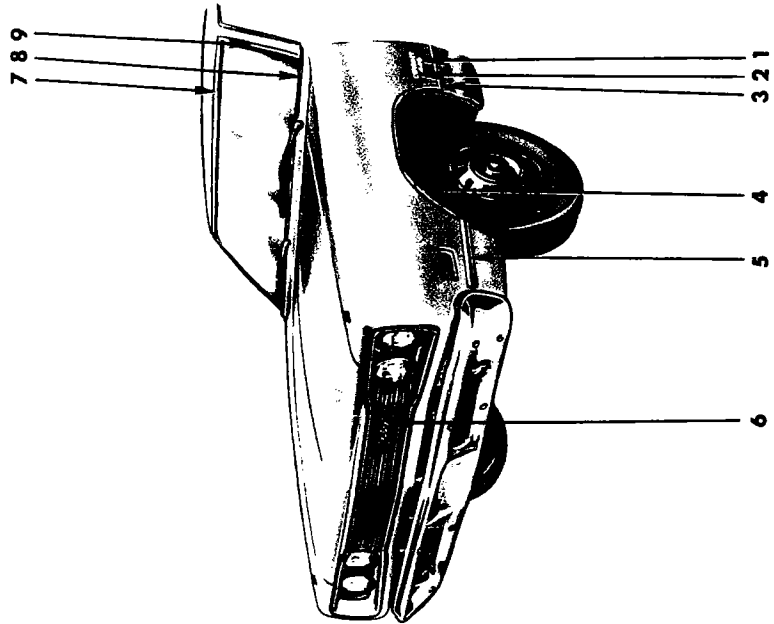
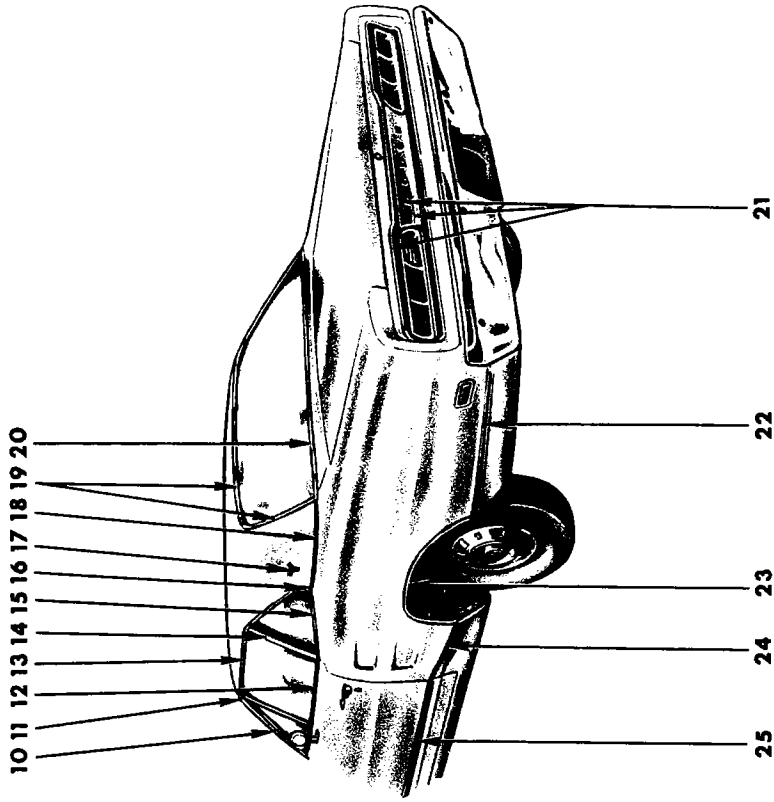
EXTERIOR VIEW - CORONET SUPER BEE W-M 2 DOOR HARDTOP

REF. NO.	QTY	PART NUMBER	DESCRIPTION	REF. NO.	QTY	PART NUMBER	DESCRIPTION
1	2	2579 804	ORNAMENT, Fender Side (383-4 Barrel) (12-15-21)	14	1	2840 884-5	CAP, Roof Side Drain Trough Mldg. End (23-59-57)
	3	6027 352	Nut		2	6024 271	Screw
2	1	2932 284-5	MOULDING PACKAGE, Fender Wheel Opening (12-15-2)	15	2	2841 393	MEDALLION, Roof Side, w/Vinyl Roof (23-34-334)
	7	6027 413	Screw		2	6027 265	Seal
3	1	2949 303	ORNAMENT, Radiator Grille (7-17-1)		2	6027 564	Screw
	2	9420 620	Nut	16	1	2932 118-9	MOULDING PACKAGE, Qtr. Outside Belt (23-23-39)
4	1	2949 146-7	BEZEL, Hood Air Scoop (15-03-18)		6	6002 065	Retainer
	4	6026 906	Nut	17	1	3004 390-1	MOULDING PACKAGE, Rear Wdo. Outside, Side & Upr. (23-23-52)
	4	6026 627	Screw		10	6001 084	Retainer and Screw
5	2	2949 240	NAME PLATE, Hood Air Scoop (15-06-3)	18	1	3004 392-3	MOULDING PACKAGE, Rear Wdo. Outside, Lwr. (23-23-52)
	4	9420 254	Nut		7	6001 084	Retainer and Screw
6	1	2811 259	MOULDING PACKAGE, Wind-shield Outside, Upr. (23-23-65)	19	1	2964 482	TAPE, Deck Lid Transverse Color Stripe, "White" (23-23-12)
	8	6002 263	Retainer Screw & Seal		1	2964 816	"Red"
7	1	2811 888-9	MOULDING PACKAGE, Wind-shield Outside, Lwr. (23-23-65)		1	2964 817	"Black"
	10	6001 855	Retainer	20	1	2964 635	ORNAMENT, Deck Lid, "Bee" (23-19-114)
	10	6023 248	Screw		2	6000 050	Clip
8	1	2811 260-1	MOULDING PACKAGE, Wind-shield Outside, Side (23-23-65)	21	1	2964 857	PANEL, Deck Opng. Lwr. Fin. (23-23-28)
	6	6002 263	Retainer Screw & Seal		13	2423 737	Cap Screw
9	1	2840 280-1	MOULDING, Body Frt. Pillar Drain Trough, w/o Vinyl Roof (23-59-61)		14	6027 564	Screw
	2	-----	Spacer		2	9420 294	Nut
	1	2932 512-3	MOULDING PACKAGE, Body Frt. Pillar Drain Trough, w/Vinyl Roof (23-59-61)	22	1	2965 662-3	TAPE, Qtr. Pnl. Transverse Color Stripe, "White" (23-23-12)
	2	-----	Spacer		1	2965 664-5	"Red"
10	2	2783 028	COVER, Roof Side Drain Trough Mldg. Joint (23-59-57)		1	2965 666-7	"Black"
11	1	2932 096-7	MOULDING PACKAGE, Door Outside Belt (23-23-32)	23	1	2842 940-1	DECAL, Qtr. Panel, Super Bee, Black (23-34-334)
	12	6002 549	Retainer		1	2842 952-3	DECAL, Qtr. Panel, Super Bee, White
12	1	2840 282-3	MOULDING, Roof Side Drain Trough, w/o Vinyl Roof (23-59-61)	24	1	2932 112-3	MOULDING PACKAGE, Qtr. Outside Wheel Opening (23-23-39)
	6	-----	Spacer		16	6024 271	Screw w/Sealer
	1	2841 504-5	MOULDING, Roof Side Drain Trough, w/Vinyl Roof (23-59-61)	25	1	2902 966-7	ORNAMENT and STUD, Qtr. Pnl. Air Intake, w/Qtr. Pnl. Air Scoop (23-34-334)
	6	-----	Spacer		10	6027 315	Nut
13	1	2932 108-9	MOULDING and T/PLATE PACKAGE, Qtr. Wdo. Outside Belt (23-23-73)	26	2	2901 806-7	MOULDING, Qtr. Outside Air Intake Ornament (23-23-39)
	2	6023 898	Screw		8	6027 493	Screw
	8	6026 552	J Nut				
	8	9414 752	Screw				

All Packages Include Attaching Parts

Part Type Code is Indicated in Parentheses

EXTERIOR VIEW - CORONET SUPER BEE W-M 2 DOOR HARDTOP



19a2563

EXTERIOR VIEW - CORONET 440 W-H 2 DOOR SEDAN

REF. NO.	QTY	PART NUMBER	DESCRIPTION
1	2	2901 810	NUMERALS, Fender Side (440) (12-15-21)
	4	6027 352	Nut
2	2	2901 751	NAME PLATE, Fender Side (Coronet) (12-15-21)
	4	6027 352	Nut
3	1	3419 048-9	MOULDING PACKAGE, Fender Side Rear (12-15-2)
	1	6002 710	Retainer
	1	6002 728	Retainer
	1	6002 761	Retainer
4	1	3419 050-1	MOULDING PACKAGE, Fender Wheel Opening (12-15-2)
	5	6024 271	Screw
5	1	3419 046-7	MOULDING PACKAGE, Fender Side Front (12-15-2)
	2	6026 523	Nut
	2	6002 728	Retainer
6	1	2898 335	NAME PLATE, Radiator Grille (7-16-61)
7	1	2811 259	MOULDING, Windshield Outside, Upr. (23-23-65)
	8	6002 263	Retainer Screw and Seal
8	1	2811 888-9	MOULDING, Windshield Outside Finish, Lwr. (23-23-65)
	10	6001 855	Retainer
	10	6023 248	Screw
9	1	2811 260-1	MOULDING, Windshield Outside Finish, Side (23-23-65)
	6	6002 263	Retainer Screw and Seal
10	1	2840 280-1	MOULDING, Body Frt. Pillar Drain Trough, w/o Vinyl Roof (23-59-61)
	2	-----	Spacer
	1	2932 512-3	MOULDING PACKAGE, Body Frt. Pillar Drain Trough, w/Vinyl Roof (23-59-61)
	2	-----	Spacer
11	2	2783 028	COVER, Roof Side Drain Trough Mldg. Joint (23-59-57)
12	1	2932 098-9	MOULDING PACKAGE, Door Outside Belt (23-23-32)
	12	6002 549	Retainer
13	1	2840 282-3	MOULDING, Roof Side Drain Trough, w/o Vinyl Roof (23-59-61)
	6	-----	Spacer
	1	2841 504-5	MOULDING, Roof Side Drain Trough, w/Vinyl Roof (23-59-61)
	6	-----	Spacer

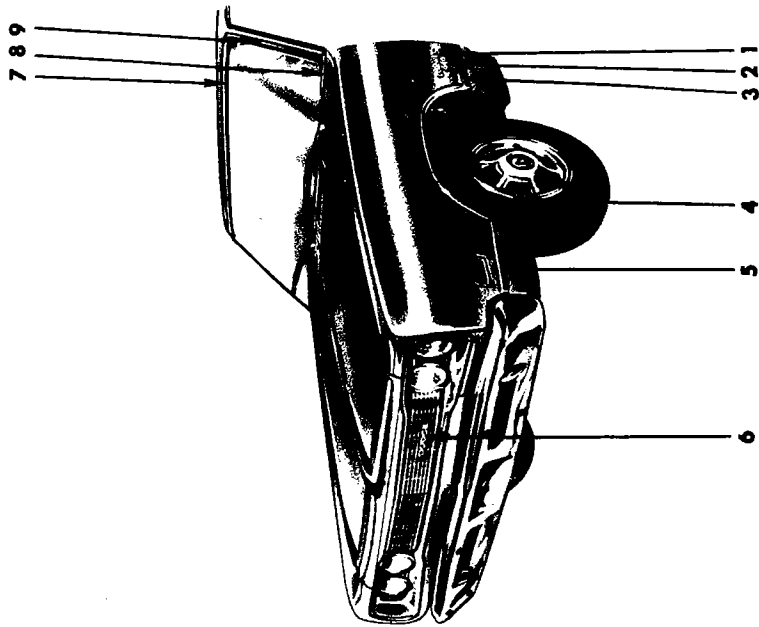
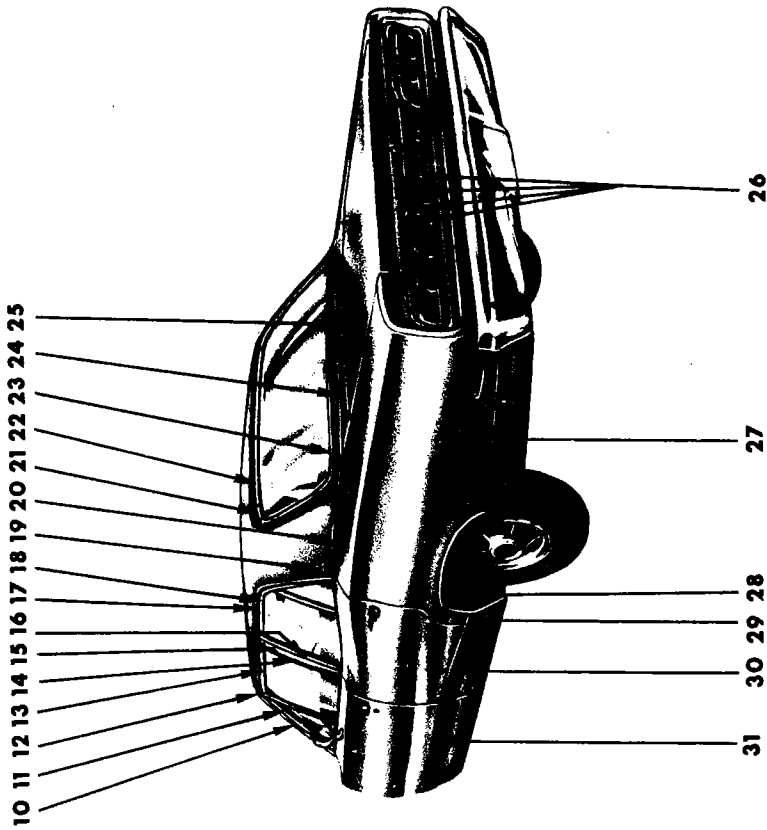
REF. NO.	QTY	PART NUMBER	DESCRIPTION
14	1	2840 894-5	MOULDING, Body Lock Upr. Pillar Outside (23-23-16)
	8	6024 271	Screw
15	1	2932 106-7	MOULDING PACKAGE, Qtr. Wdo. Outside Belt (23-23-73)
	2	6023 898	Screw
	8	6026 552	J-Nut
	8	9414 752	Screw
16	1	2840 884-5	CAP, Roof Side Drain Trough Mldg. End (23-59-57)
	2	6024 564	Screw
17	2	2841 393	MEDALLION, Roof Side, w/Vinyl Roof (23-34-334)
	2	6027 265	Seal
	2	6027 564	Screw
18	1	2932 118-9	MOULDING PACKAGE, Qtr. Outside Belt, use w/Vinyl Roof and Two Tone Paint (23-23-39)
	6	6002 065	Retainer
19	1	3004 390-1	MOULDING PACKAGE, Rear Wdo. Outside, Side and Upr. (23-23-52)
	10	6001 084	Retainer and Screw
20	1	3004 392-3	MOULDING PACKAGE, Rear Wdo. Outside, Lwr. (23-23-52)
	7	6001 084	Retainer and Screw
21	1	2902 881	PANEL, Deck Opng. Lwr. Finish (23-23-28)
	14	6027 564	Screw
	13	2423 737	Cap Screw
22	1	2933 884-5	MOULDING PACKAGE, Qtr. Outside, Rr. (23-23-39)
	10	6002 761	Retainer
23	1	2933 886-7	MOULDING PACKAGE, Qtr. Outside Whl. Opng. (23-23-39)
	16	6024 271	Screw
24	1	2933 872-3	MOULDING PACKAGE, Qtr. Outside, Frt. (23-23-39)
	8	6002 710	Retainer
	2	6002 790	Retainer
	2	9420 866	Nut
25	1	2933 944-5	MOULDING PACKAGE, Door Outside (23-23-32)
	12	6002 710	Retainer
	2	6002 728	Retainer
	12	6002 761	Retainer
	2	6002 760	Retainer
	4	6026 523	Nut

All Packages include Attaching Parts

Part Type Code is Indicated in Parentheses

EXTERIOR VIEW - CORONET 440 W-H 2 DOOR SEDAN

19a2506



EXTERIOR VIEW - CORONET 440 W-H 4 DOOR SEDAN

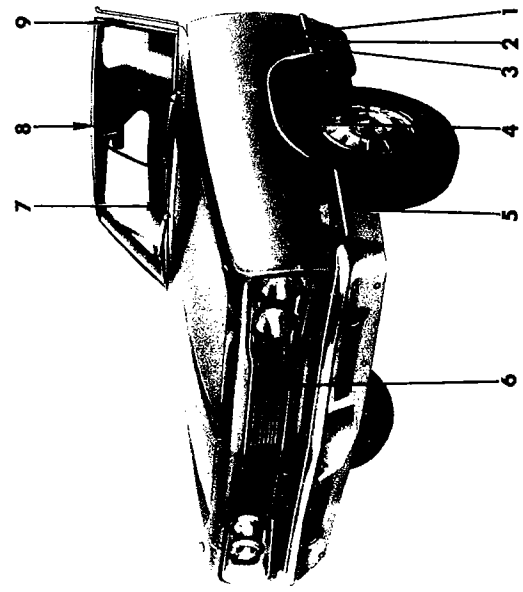
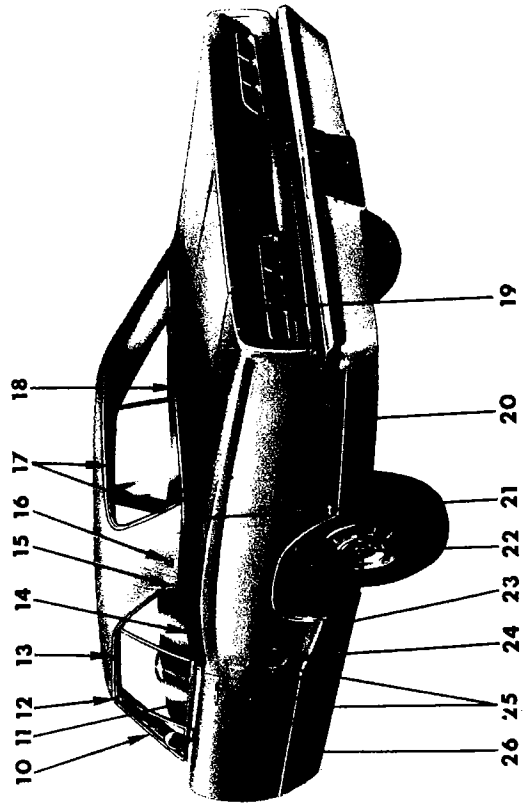
REF. NO.	QTY	PART NUMBER	DESCRIPTION	REF. NO.	QTY	PART NUMBER	DESCRIPTION
1	2	2901 751	NAME PLATE, Fender Side, Coronet (12-15-21)	18	1	2811 438-9	MOULDING, Rear Door Wdo. Opng. Frame, Upr. (23-23-33)
	4	6027 352	Nut	19	2	2841 393	MEDALLION, Roof Side (23-34-334)
2	2	2901 810	NUMERALS, Fender Side, 440 (12-15-21)		2	6027 265	Seal
	4	6027 352	Nut		2	6027 564	Screw
3	1	3419 048-9	MOULDING PACKAGE, Fender Side Rear (12-15-2)	20	1	2932 130-1	MOULDING PACKAGE, Qtr. Outside Belt, use w/Vinyl Roof and Two Tone Paint (23-23-39)
	1	6002 710	Retainer		6	6024 702	Washer
	1	6002 728	Retainer		2	---- ---	Screw
	1	6002 761	Retainer		6	---- ---	Nut
4	1	3419 050-1	MOULDING PACKAGE, Fender Wheel Opening (12-15-2)	21	1	3004 384-5	MOULDING PACKAGE, Rear Wdo. Outside, Upr. Corner (23-23-52)
	5	6024 271	Screw		4	6001 084	Retainer and Screw
5	1	3419 046-7	MOULDING PACKAGE, Fender Side Front (12-15-2)	22	1	3004 388	MOULDING PACKAGE, Rear Wdo. Outside, Upr. (23-23-52)
	2	6026 523	Nut		4	6001 084	Retainer and Screw
	2	6002 728	Retainer	23	1	3004 386-7	MOULDING PACKAGE, Rear Wdo. Outside, Lwr. and Side (23-23-52)
6	1	2898 335	NAME PLATE, Radiator Grille (7-16-61)		10	6001 084	Retainer and Screw
7	1	2584 699	MOULDING PACKAGE, Windshield Outside, Upr. (23-23-65)	24	1	2932 140-1	MOULDING PACKAGE, Deck Opng. Upr. Pnl., use w/Vinyl Roof and Two Tone Paint (23-23-31)
	8	6002 263	Retainer Screw and Seal		4	6002 065	Retainer
8	1	2585 852-3	MOULDING PACKAGE, Windshield Outside, Lwr. (23-23-65)		4	6002 338	Retainer
	10	6001 855	Retainer and Seal		4	9420 867	Nut
	1	6002 242	Retainer, Rt.	25	1	2841 610	COVER, Deck Opng. Upr. Pnl. Mldg. Joint, use w/Vinyl Roof and Two Tone Paint (23-23-41)
	1	6002 243	Retainer, Lt.		14	6027 564	Screw
	10	6023 248	Screw		13	2423 737	Cap Screw
	2	9418 246	Screw	26	1	2902 881	PANEL, Deck Opng. Lwr. Finish (23-23-28)
9	1	2585 850-1	MOULDING PACKAGE, Windshield Outside Finish, Side (23-23-65)		12	6002 710	Retainer
	6	6002 263	Retainer Screw and Seal		10	6002 761	Retainer
10	1	2840 274-5	MOULDING, Body Frt. Pillar Drain Trough, w/o Vinyl Roof (23-59-61)	27	1	2933 900-1	MOULDING PACKAGE, Qtr. Outside, Rear (23-23-39)
	2	---- ---	Spacer		12	6002 710	Retainer
	1	2932 514-5	MOULDING PACKAGE, Body Frt. Pillar Drain Trough, w/Vinyl Roof (23-59-61)		10	6002 761	Retainer
	2	---- ---	Spacer	28	1	2933 898-9	MOULDING PACKAGE, Qtr. Outside Wheel Opening (23-23-39)
11	1	2570 750-1	MOULDING, Frt. Door Wdo. Opng. Frame, Frt. (23-23-32)		10	6024 271	Screw
12	2	2783 028	COVER, Roof Side Drain Trough Mldg. Joint (23-59-57)	29	1	2933 882-3	MOULDING PACKAGE, Qtr. Outside, Frt. (23-23-39)
13	1	2570 752-3	MOULDING, Frt. Door Wdo. Opng. Frame, Upr. (23-23-32)		4	6002 820	Retainer
14	1	2570 754-5	MOULDING, Frt. Door Wdo. Opng. Frame, Rr. (23-23-32)		4	9420 866	Nut
15	1	2860 636-7	PANEL, Body Ctr. Pillar Outside Finish (23-23-16)	30	1	2933 880-1	MOULDING PACKAGE, Rear Door Outside (23-23-33)
	8	6024 271	Screw		4	6002 728	Retainer
16	1	2570 914-5	MOULDING, Rear Door Wdo. Opng. Frame, Frt. (23-23-33)		2	6002 760	Retainer
17	1	2840 276-7	MOULDING, Roof Side Drain Trough, w/o Vinyl Roof (23-59-61)		6	6026 523	Nut
	6	---- ---	Spacer	31	1	2933 878-9	MOULDING PACKAGE, Frt. Door Outside (23-23-32)
	1	2841 508-9	MOULDING, Roof Side Drain Trough, w/Vinyl Roof (23-59-61)		6	5002 602	Retainer
	6	---- ---	Spacer		4	6002 604	Retainer
					4	6026 523	Nut

All Packages Include Attaching Parts

Part Type Code is Indicated in Parentheses

EXTERIOR VIEW - CORONET 440 W-H 4 DOOR SEDAN

19a2538



EXTERIOR VIEW - CORONET 440 W-H 2 DOOR HARDTOP

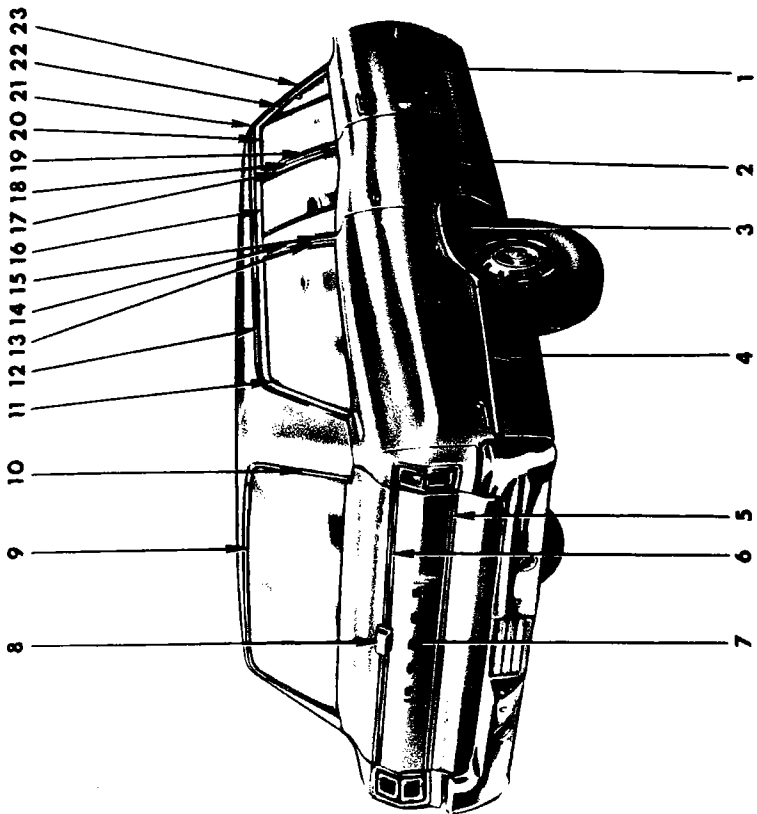
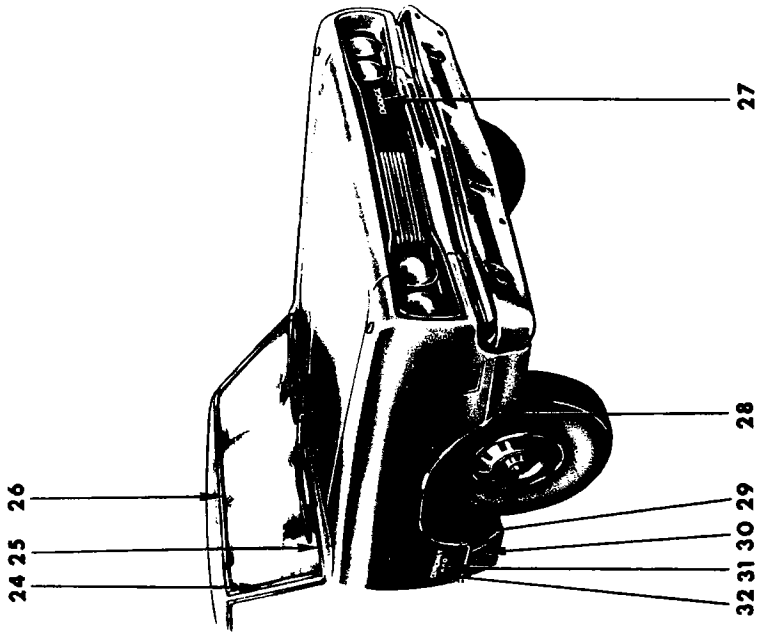
REF. NO.	QTY	PART NUMBER	DESCRIPTION	REF. NO.	QTY	PART NUMBER	DESCRIPTION
1	2	2901 810	NUMERALS, Fender Side (440) (12-15-21)	15	1	2840 884-5	CAP, Roof Side Drain Trough Mldg. End (23-59-57)
	4	6027 352	Nut		2	6024 271	Screw
2	2	2901 751	NAME PLATE, Fender Side (12-15-21)	16	2	2841 393	MEDALLION, Roof Side, w/Vinyl Roof (23-34-334)
	4	6027 352	Nut		2	6027 265	Seal
3	1	3419 048-9	MOULDING PACKAGE, Fender Side Rear (12-15-2)		2	6027 564	Screw
	1	6002 710	Retainer	17	1	3004 390-1	MOULDING PACKAGE, Rear Wdo. Outside, Side & Upr. (23-23-52)
	1	6002 728	Retainer		10	6001 084	Retainer and Screw
	1	6002 761	Retainer	18	1	3004 392-3	MOULDING PACKAGE, Rear Wdo. Outside, Lwr. (23-23-52)
4	1	3419 050-1	MOULDING PACKAGE, Fender Wheel Opening (12-15-2)		7	6001 084	Retainer and Screw
	5	6024 271	Screw	19	1	2902 881	PANEL, Deck Opng. Lwr. Finish (23-23-28)
5	1	3419 046-7	MOULDING PACKAGE, Fender Side Front (12-15-2)		14	6027 564	Screw
	2	6026 523	Nut		13	2423 737	Cap Screw
	2	6002 728	Retainer	20	1	2933 884-5	MOULDING PACKAGE, Qtr. Outside, Rr. (23-23-39)
6	1	2898 335	NAME PLATE, Radiator Grille (7-16-61)		10	6002 761	Retainer
7	1	2811 888-9	MOULDING, Windshield Outside Finish, Lwr. (23-23-65)	21	1	2932 118-9	MOULDING PACKAGE, Qtr. Outside Belt, use w/Vinyl Roof and Two Tone Paint (23-23-39)
	10	6001 855	Retainer		6	6002 065	Retainer
	10	6023 248	Screw	22	1	2933 886-7	MOULDING PACKAGE, Qtr. Outside Whl. Opng. (23-23-39)
8	1	2811 259	MOULDING, Windshield Outside, Upr. (23-23-65)		16	6024 271	Screw
	8	6002 263	Retainer Screw and Seal	23	1	2933 872-3	MOULDING PACKAGE, Qtr. Outside, Frt. (23-23-39)
9	1	2811 260-1	MOULDING, Windshield Outside Finish, Side (23-23-65)		8	6002 710	Retainer
	6	6002 263	Retainer Screw and Seal		2	6002 790	Retainer
10	1	2840 280-1	MOULDING, Body Frt. Pillar Drain Trough, w/o Vinyl Roof (23-59-61)		2	9420 866	Nut
	2	-----	Spacer	24	1	2902 966-7	ORNAMENT and STUD, Qtr. Pnl. Air Intake, w/Qtr. Pnl. Air Scoop (23-34-334)
	1	2932 512-3	MOULDING PACKAGE, Body Frt. Pillar Drain Trough, w/Vinyl Roof (23-59-61)		10	6027 315	Nut
	2	-----	Spacer	25	2	2901 806-7	MOULDING, Qtr. Outside Air Intake Orna. (23-23-39)
11	1	2932 096-7	MOULDING PACKAGE, Door Outside Belt (23-23-32)		8	6027 493	Screw
	12	6002 549	Retainer	26	1	2933 944-5	MOULDING PACKAGE, Door Outside (23-23-32)
12	2	2783 028	COVER, Roof Side Drain Trough Mldg. Joint (23-59-57)		12	6002 710	Retainer
13	1	2840 282-3	MOULDING, Roof Side Drain Trough, w/o Vinyl Roof (23-59-61)		2	6002 728	Retainer
	6	-----	Spacer		12	6002 761	Retainer
	1	2841 504-5	MOULDING, Roof Side Drain Trough, w/Vinyl Roof (23-59-61)		2	6002 760	Retainer
	6	-----	Spacer		4	6026 523	Nut
14	1	2932 108-9	MOULDING and T/PLATE PACKAGE, Qtr. Wdo. Outside Belt (23-23-73)				
	2	6023 898	Screw				
	8	6026 552	J-Nut				
	8	9414 752	Screw				

All Packages include Attaching Parts

Part Type Code is Indicated in Parentheses

EXTERIOR VIEW - CORONET 440 W-H 2 DOOR HARDTOP

19a2587



EXTERIOR VIEW - CORONET 440 W-H STATION WAGON

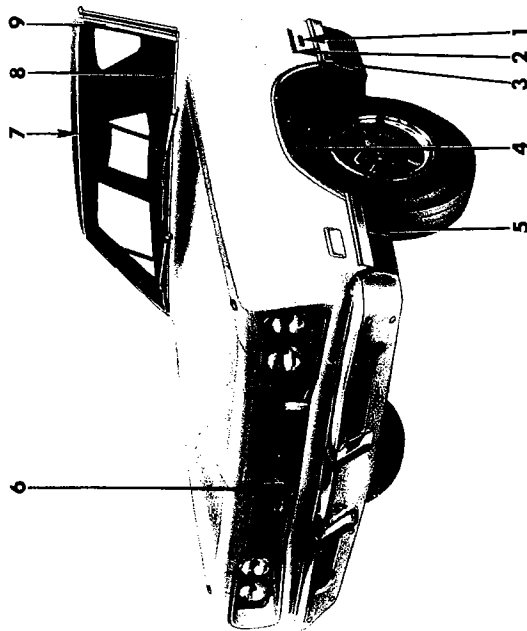
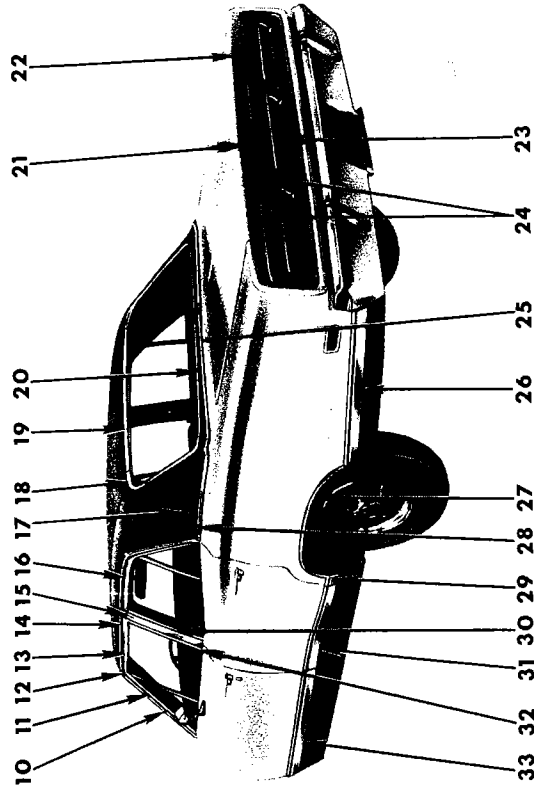
REF. NO.	QTY	PART NUMBER	DESCRIPTION
1	1	2932 148-9	MOULDING PACKAGE, Front Door Outside (23-23-32)
	10	6001 611	Retainer
	4	6002 177	Retainer
	8	6024 271	Screw w/Sealer
	4	6026 523	Nut
2	1	2932 146-7	MOULDING PACKAGE, Rear Door Outside (23-23-33)
	8	6001 611	Retainer
	4	6002 177	Retainer
	6	6024 271	Screw w/Sealer
	4	6026 523	Nut
3	1	2932 116-7	MOULDING PACKAGE, Qtr. Outside Whl. Opng. (23-23-39)
	2	6002 556	Retainer
	14	6024 271	Screw w/Sealer
4	1	2932 144-5	MOULDING PACKAGE, Qtr. Outside, Lwr. (23-23-39)
	12	6001 611	Retainer
	12	6024 271	Screw w/Sealer
5	1	2933 919	MOULDING PACKAGE, Tailgate, Lwr. (23-23-61)
	2	6002 619	Retainer
	6	6002 624	Retainer
	2	6026 523	Nut
6	1	2933 920-1	MOULDING PACKAGE, Tailgate, Up. (23-23-61)
	4	6002 619	Retainer
	8	6002 624	Retainer
	4	6026 523	Nut
7	2	#2963 990	LETTER "D", Tailgate (23-54-11)
	1	#2963 991	"O"
	1	#2963 993	"G"
	1	#2963 994	"E"
	10	9420 263	Nut
8	1	2862 816	ORNAMENT, Tailgate Electric Window Regulator Outside (23-54-11)
	2	6024 291	Nut w/Washer
	1	2583 022	HANDLE (Complete) Manual Window Regulator Outside (23-54-73)
9	1	2573 303	MOULDING, Roof Rear Tailgate Opng. (23-23-60)
10	1	3004 382-3	MOULDING PACKAGE, Qtr. Pnl. Tailgate Up., Pillar, Comp. (23-23-60)
	2	6024 564	Screw
11	1	2860 866-7	MOULDING, Qtr. Wdo. Outside, Up., Steel (23-23-73)
12	1	2840 278-9	MOULDING, Roof Side Drain Trough (23-59-61)
	6	-----	Spacer
13	1	2860 868-9	MOULDING, Qtr. Wdo. Outside, Frt., Steel (23-23-73)
	4	6002 054	Retainer
	4	-----	Nut

REF. NO.	QTY	PART NUMBER	DESCRIPTION
14	1	2860 638-9	MOULDING, Qtr. Pnl. Rear Door Lock Pillar, Up. (23-23-16)
15	1	2811 446-7	MOULDING, Rear Door Wdo. Opng. Frame, Rr. (23-23-33)
16	1	2588 466-7	MOULDING, Rear Door Wdo. Opng. Frame, Up. (23-23-33)
17	1	2570 914-5	MOULDING, Rear Door Wdo. Opng. Frame, Frt. (23-23-33)
18	1	2860 636-7	PANEL, Body Ctr. Pillar Outside, Finish (23-23-16)
	8	6024 271	Screw
19	1	2570 754-5	MOULDING, Frt. Door Wdo. Opng. Frame, Rr. (23-23-32)
20	1	2570 752-3	MOULDING, Frt. Door Wdo. Opng. Frame, Up. (23-23-32)
21	2	2605 208	COVER, Roof Side Drain Trough (23-59-57)
22	1	2570 750-1	MOULDING, Frt. Door Wdo. Opng. Frame, Frt. (23-23-32)
23	1	2605 854-5	MOULDING, Body Frt. Pillar Drain Trough (23-59-61)
	2	-----	Spacer
24	1	2585 850-1	MOULDING PACKAGE, Windshield Outside Finish, Side (23-23-65)
	6	6002 263	Retainer Screw & Seal
25	1	2585 852-3	MOULDING PACKAGE, Windshield Outside, Lwr. (23-23-65)
	10	6001 855	Retainer & Seal
	1	6002 242	Retainer, Rt.
	1	6002 243	Retainer, Lt.
	10	6023 248	Screw
	2	9418 246	Screw
26	1	2584 699	MOULDING PACKAGE, Windshield Outside, Up. (23-23-65)
	8	6002 263	Retainer Screw & Seal
27	1	2898 335	NAME PLATE, Radiator Grille (7-16-61)
28	1	2932 286-7	MOULDING PACKAGE, Fender Side (12-15-2)
	1	9420 867	Nut
	1	6002 367	Retainer
	1	6002 263	Retainer
	7	6024 271	Screw
29	1	2932 288-9	MOULDING PACKAGE, Fender Side Rear (12-15-2)
	1	9420 867	Nut
	1	6002 367	Retainer
	1	6002 325	Retainer
	6	6024 271	Screw
30	1	2785 540	MEDALLION, Fender Side (Pentastar) (12-15-21)
	1	6026 404	Nut
31	2	2901 810	NUMERAL, Fender Side (440) (12-15-21)
	4	6027 352	Nut
32	2	2901 751	NAME PLATE, Fender Side (Coronet) (12-15-21)
	4	6027 352	Nut

All Packages Include Attaching Parts

Part Type Code is Indicated in Parentheses

EXTERIOR VIEW - CORONET 440 W-H STATION WAGON



19a25-4

EXTERIOR VIEW - CORONET 500 W-P 4 DOOR SEDAN

REF. NO.	QTY	PART NUMBER	DESCRIPTION
1	2	2901 811	NUMERALS, Fender Side (500) (12-15-21)
	4	6027 352	Nut
2	2	2901 751	NAME PLATE, Fender Side (Coronet) (12-15-21)
	4	6027 352	Nut
3	1	3419 054-5	MOULDING PACKAGE, Fender Side Rear (12-15-2)
	1	6002 610	Retainer
	1	6002 728	Retainer
	1	6002 761	Retainer
4	1	3419 050-1	MOULDING PACKAGE, Fender Wheel Opening (12-15-2)
	5	6024 271	Screw
5	1	3419 052-3	MOULDING PACKAGE, Fender Side Front (12-15-2)
	2	6002 760	Retainer 2 6026 523 Nut
6	1	2898 334	ORNAMENT, Radiator Grille (7-17-1)
	4	9420 620	Nut
7	1	2584 699	MOULDING PACKAGE, Windshield Outside, Upr. (23-23-65)
	8	6002 263	Retainer Screw & Seal
8	1	2585 852-3	MOULDING PACKAGE, Windshield Outside, Lwr. (23-23-65)
	10	6001 855	Retainer & Seal
	1	6002 242	Retainer, Rt.
	1	6002 243	Retainer, Lt.
	10	6023 248	Screw 2 9418 246 Screw
9	1	2585 850-1	MOULDING PACKAGE, Windshield Outside Finish, Side (23-23-65)
	6	6002 263	Retainer Screw & Seal
10	1	2840 274-5	MOULDING, Body Frt. Pillar Drain Trough, w/o Vinyl Roof (23-59-61)
	2	----	Spacer
	1	2932 514-5	MOULDING PACKAGE, Body Frt. Pillar Drain Trough, w/Vinyl Roof (23-59-61)
	2	----	Spacer
11	1	2570 750-1	MOULDING, Frt. Door Wdo. Opng. Frame, Frt. (23-23-32)
12	2	2783 028	COVER, Roof Side Drain Trough Mldg. Joint (23-59-57)
13	1	2570 752-3	MOULDING, Frt. Door Wdo. Opng. Frame, Upr. (23-23-32)
14	1	2840 276-7	MOULDING, Roof Side Drain Trough, w/o Vinyl Roof (23-59-61)
	6	----	Spacer
	1	2841 508-9	MOULDING, Roof Side Drain Trough, w/Vinyl Roof (23-59-61)
	6	----	Spacer
15	1	2860 636-7	PANEL, Body Ctr. Pillar Outside Finish (23-23-16)
	8	6024 271	Screw
16	1	2811 438-9	MOULDING, Rear Door Wdo. Opng. Frame, Upr. (23-23-33)
17	2	2841 393	MEDALLION, Roof Side (w/Vinyl Roof) (23-34-334)
	2	6027 564	Screw 2 6027 265 Seal

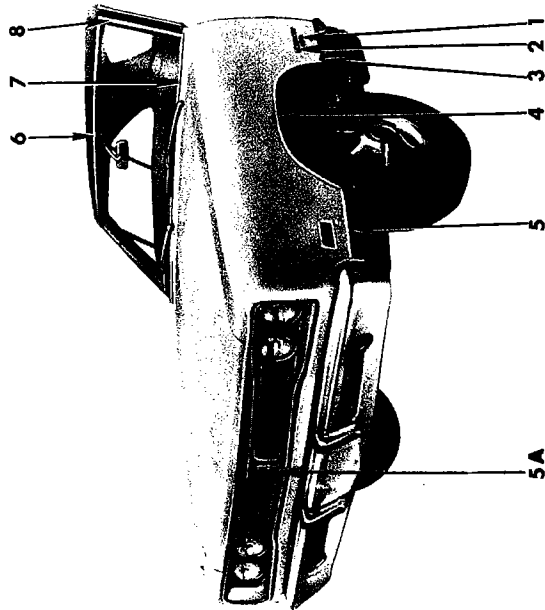
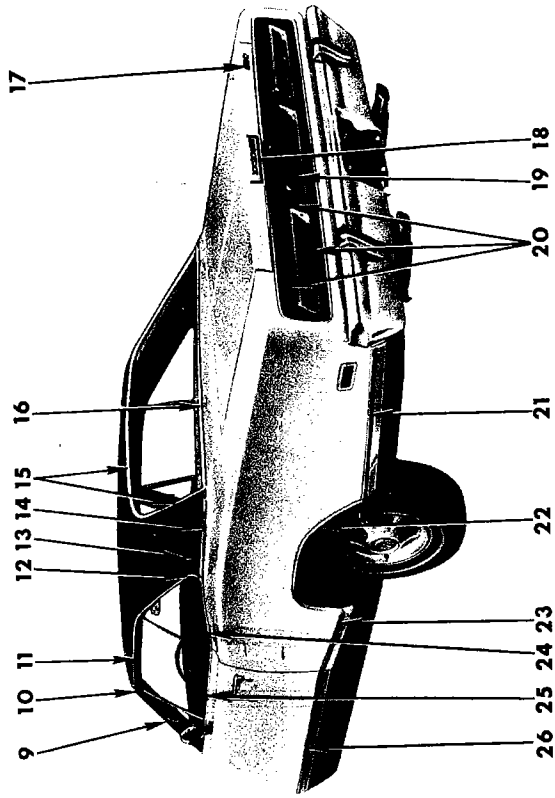
All Packages Include Attaching Parts

REF. NO.	QTY	PART NUMBER	DESCRIPTION
18	1	3004 384-5	MOULDING PACKAGE, Rear Wdo. Outside, Upr. Corner (23-23-52)
	4	6001 084	Retainer & Screw
19	1	3004 388	MOULDING PACKAGE, Rear Wdo. Outside, Upr. (23-23-52)
	4	6001 084	Retainer & Screw
20	1	3004 386-7	MOULDING PACKAGE, Rear Wdo. Outside, Lwr. & Side (23-23-52)
	10	6001 084	Retainer & Screw
21	2	2784 488	NAME LETTER, Deck Lid, "D" (23-19-114)
	1	2784 489	"O"
	1	2784 490	"G"
	1	2784 491	"E"
	10	6000 050	Clip
22	1	2901 811	NUMERAL, Deck Lid, "500" (23-19-114)
	2	6000 050	Clip
23	1	2902 636	LENS, Deck Opng. Lwr. Finish Panel (23-23-25)
24	1	2902 639	PANEL, Deck Opng. Lwr. Finish (23-23-28)
	13	6024 152	Nut
	8	6002 768	Retainer & Sealing Washer
	2	6027 315	Nut & Clip
25	1	2932 140-1	MOULDING PACKAGE, Deck Opng. Upr. Pnl., use w/Vinyl Roof and Two Tone Paint (23-23-31)
	4	6002 065	Retainer
	4	6002 338	Retainer 4 9420 867 Nut
26	1	2933 908-9	MOULDING PACKAGE, Qtr. Outside, Rr. (23-23-39)
	12	6002 710	Retainer
	10	6002 761	Retainer
27	1	2933 898-9	MOULDING PACKAGE, Qtr. Outside Whl. Opng. (23-23-39)
	10	6024 271	Screw
28	1	2932 130-1	MOULDING PACKAGE, Qtr. Outside Belt, use w/Vinyl Roof and Two Tone Paint (23-23-39)
	6	6024 702	Washer
	2	9419 948	Screw 6 9420 278 Nut
29	1	2933 890-1	MOULDING PACKAGE, Qtr. Outside, Frt. (23-23-39)
	4	6002 820	Retainer 4 9420 866 Nut
30	1	2570 914-5	MOULDING, Rear Door Wdo. Opng. Frame, Frt. (23-23-33)
31	1	2933 952-3	MOULDING PACKAGE, Rear Door Outside (23-23-33)
	8	6002 710	Retainer
	8	6002 761	Retainer 2 6026 523 Nut
32	1	2570 754-5	MOULDING, Frt. Door Wdo. Opng. Frame, Rr. (23-23-32)
33	1	2933 950-1	MOULDING PACKAGE, Frt. Door Outside (23-23-32)
	2	6002 177	Retainer
	2	6002 760	Retainer
	10	6002 761	Retainer
	4	6026 523	Nut

Part Type Code is Indicated in Parentheses

EXTERIOR VIEW - CORONET 500 W-P 4 DOOR SEDAN

19a2399



EXTERIOR VIEW - CORONET 500 W-P 2 DOOR HARDTOP

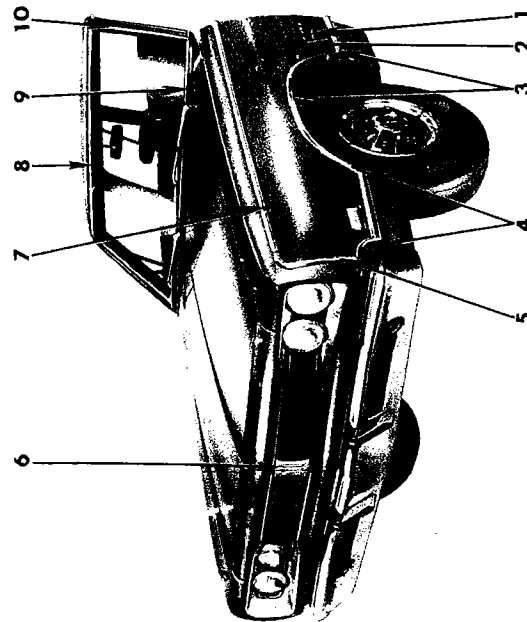
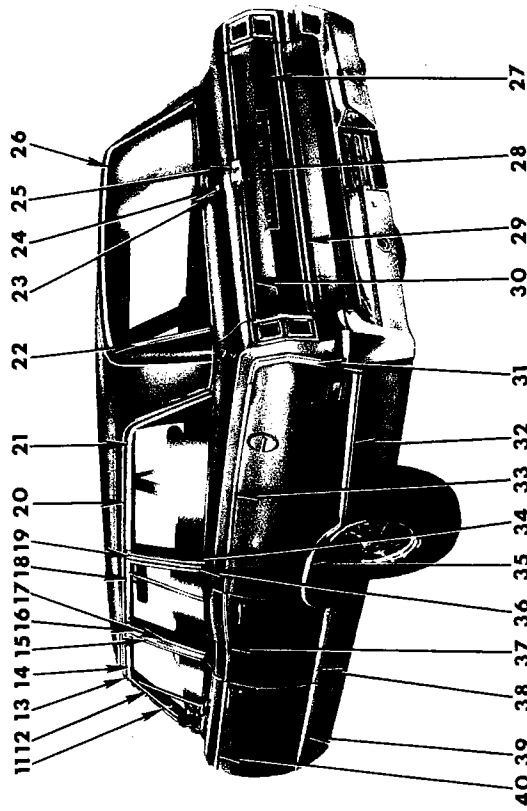
REF. NO.	QTY	PART NUMBER	DESCRIPTION	REF. NO.	QTY	PART NUMBER	DESCRIPTION
1	2	2901 811	NUMERALS, Fender Side (500) (12-15-21)	14	1	2932 118-9	MOULDING PACKAGE, Qtr. Outside Belt, use w/Vinyl Roof or Two Tone Paint (23-23-39)
	4	6027 352	Nut		6	6002 065	Retainer
2	2	2901 751	NAME PLATE, Fender Side (12-15-21)	15	1	3004 390-1	MOULDING PACKAGE, Rear Wdo. Outside, Side and Upr. (23-23-52)
	4	6027 352	Nut		10	6001 084	Retainer and Screw
3	1	3419 054-5	MOULDING PACKAGE, Fender Side Rear (12-15-2)	16	1	3004 392-3	MOULDING PACKAGE, Rear Wdo. Outside, Lwr. (23-23-52)
	1	6002 610	Retainer		7	6001 084	Retainer and Screw
	1	6002 728	Retainer	17	1	2901 811	NUMERALS, Deck Lid, "500" (23-19-114)
	1	6002 761	Retainer		2	6000 050	Clip
4	1	3419 050-1	MOULDING PACKAGE, Fender Wheel Opening (12-15-2)	18	2	2784 488	NAME LETTER, Deck Lid, "D" (23-19-114)
	5	6024 271	Screw		1	2784 489	"O"
5	1	3419 052-3	MOULDING PACKAGE, Fender Side Front (12-15-2)		1	2784 490	"G"
	2	6026 523	Nut		1	2784 491	"E"
	2	6002 760	Retainer		10	6000 050	Speed Clip
5A	1	2898 334	ORNAMENT, Radiator Grille (7-17-1)	19	1	2902 636	LENS, Deck Opng. Lwr. Finish Panel (23-23-25)
	4	9420 620	Nut	20	1	2902 639	PANEL, Deck Opng. Lwr. Finish (23-23-28)
6	1	2811 259	MOULDING, Windshield Outside, Upr. (23-23-65)		13	6024 152	Nut
	8	6002 263	Retainer Screw and Seal		8	6002 768	Retainer and Sealing Washer
7	1	2811 888-9	MOULDING, Windshield Outside Finish, Lwr. (23-23-65)		2	6027 315	Nut and Cup
	10	6001 855	Retainer	21	1	2933 892-3	MOULDING PACKAGE, Qtr. Outside, Rear (23-23-39)
	10	6023 248	Screw		12	6002 710	Retainer
8	1	2811 260-1	MOULDING, Windshield Outside Finish, Side (23-23-65)		10	6002 761	Retainer
	6	6002 263	Retainer Screw and Seal	22	1	2933 886-7	MOULDING PACKAGE, Qtr. Outside Wheel Opening (23-23-39)
9	1	2840 280-1	MOULDING, Body Frt. Pillar Drain Trough, w/o Vinyl Roof (23-59-61)		16	6024 271	Screw
	2	---- ---	Spacer	23	1	2933 888-9	MOULDING PACKAGE, Qtr. Outside, Frt. (23-23-39)
	1	2932 512-3	MOULDING PACKAGE, Body Frt. Pillar Drain Trough, w/Vinyl Roof (23-59-61)		8	6002 761	Retainer
	2	---- ---	Spacer		2	6002 790	Retainer
10	2	2783 028	COVER, Roof Side Drain Trough Mldg. Joint (23-59-57)		2	9420 866	Nut
11	1	2840 282-3	MOULDING, Roof Side Drain Trough, w/o Vinyl Roof (23-59-61)	24	1	2932 108-9	MOULDING and T/PLATE PACKAGE, Qtr. Wdo. Outside Belt (23-23-73)
	6	---- ---	Spacer		2	6023 898	Screw
	1	2841 504-5	MOULDING, Roof Side Drain Trough, w/Vinyl Roof (23-59-61)		8	6026 552	J-Nut
	6	---- ---	Spacer		8	9414 752	Screw
12	1	2840 884-5	CAP, Roof Side Drain Trough Mldg. End (23-59-57)	25	1	2932 096-7	MOULDING PACKAGE, Door Outside Belt (23-23-32)
	2	6024 271	Screw		12	6002 549	Retainer
13	2	2841 393	MEDALLION, Roof Side, w/Vinyl Roof (23-34-334)	26	1	2933 948-9	MOULDING PACKAGE, Door Outside (23-23-32)
	2	6027 265	Seal		12	6002 710	Retainer
	2	6027 564	Screw		2	6002 728	Retainer
					12	6002 761	Retainer
					2	6026 523	Nut

All Packages Include Attaching Parts

Part Type Code is Indicated in Parentheses

EXTERIOR VIEW - CORONET 500 W-P 2 DOOR HARDTOP

19a2581



EXTERIOR VIEW - CORONET 500 W-P STATION WAGON

REF. NO.	QTY	PART NUMBER	DESCRIPTION	REF. NO.	QTY	PART NUMBER	DESCRIPTION
1	2	2901 811	NUMERAL, Fender Side (500) (12-15-21)	18	1	2588 466-7	MOULDING, Rear Door Wdo. Opng. Frame, Upr. (23-23-33)
	4	6027 352	Nut	19	1	2860 638-9	MOULDING, Qtr. Pnl. Rear Door Lock Pillar, Upr. (23-23-16)
2	2	2901 751	NAME PLATE, Fender Side (Coronet) (12-15-21)	20	1	2840 278-9	MOULDING, Roof Side Drain Trough (23-59-61)
	4	6027 352	Nut		6	----	Spacer
3	1	2932 288-9	MOULDING PACKAGE, Fender Side (12-15-2)	21	1	2860 866-7	MOULDING, Qtr. Wdo. Outside, Upr., S/Steel (23-23-73)
	1	9420 867	Nut	22	1	3004 382-3	MOULDING PACKAGE, Qtr. Pnl. Tailgate Upr. Pillar Comp. (23-23-60)
	1	6002 325	Retainer		2	6024 564	Screw
	1	6002 367	Retainer	23	1	#2983 069	BEZEL, Tailgate Wdo. Washer Reservoir Filler (23-67-243)
	6	6024 271	Screw	24	1	#3431 009	CAP, Tailgate Window Washer Reservoir Filler Bezel (23-67-241)
4	1	2932 290-1	MOULDING PACKAGE, Fender Side Lower Front (12-15-2)	25	1	2862 816	ORNAMENT, Tailgate Electric Window Regulator Outside (23-54-11)
	3	6026 095	Nut		2	6024 291	Nut w/Washer
	1	6024 271	Screw	26	1	2573 303	MOULDING, Roof Rear Tail- gate Opng. (23-23-60)
	3	6025 462	Washer	27	1	#2963 977	OVERLAY, Tailgate Outside Panel (23-54-2)
5	1	2932 292-3	MOULDING PACKAGE, Fender Side Front (12-15-2)	28	2	#2963 990	LETTER "D", Tailgate Name (23-54-11)
	3	6001 627	Retainer		1	#2963 991	"O"
6	1	2898 334	ORNAMENT, Radiator Grille (7-17-1)		1	#2963 993	"G"
	4	9420 620	Nut		1	#2963 994	"E"
7	1	2932 294-5	MOULDING PACKAGE, Fender Side Upper (12-15-2)	29	10	9420 263	Nut
	2	6000 709	Clip		1	2933 919	MOULDING PACKAGE, Tail- gate, Lwr. (23-23-61)
	2	9420 867	Nut		2	6002 619	Retainer
	1	6001 627	Retainer		6	6002 624	Retainer
	6	6001 910	Retainer		2	6026 523	Nut
	5	6024 271	Screw	30	1	2933 920-1	MOULDING PACKAGE, Tail- gate, Upr. (23-23-61)
8	1	2584 699	MOULDING PACKAGE, Wind- shield Outside, Upr. (23-23-65)		4	6002 619	Retainer
	8	6002 263	Retainer Screw & Seal		8	6002 624	Retainer
9	1	2585 852-3	MOULDING PACKAGE, Wind- shield Outside, Lwr. (23-23-65)	31	1	2932 136-7	MOULDING PACKAGE, Qtr. Outside Upr. and Lwr. End (23-23-38)
	10	6001 855	Retainer and Seal		4	6024 271	Screw w/Sealer
	1	6002 242	Retainer, Rt.		2	6027 266	Washer Sealer
	1	6002 243	Retainer, Lt.		2	9420 253	Nut
	10	6023 248	Screw	32	1	2932 142-3	MOULDING PACKAGE, Qtr. Outside, Lwr. (23-23-39)
	2	9418 246	Screw		12	6001 611	Retainer
10	1	2585 850-1	MOULDING PACKAGE, Wind- shield Outside Finish, Side (23-23-65)		12	6024 271	Screw w/Sealer
	6	6002 263	Retainer Screw & Seal	33	1	2932 134-5	MOULDING PACKAGE, Qtr. Outside, Upr. (23-23-39)
11	1	2605 854-5	MOULDING, Body Front Pillar Drain Trough (23-59-61)		20	6001 910	Retainer
	2	----	Spacer		20	6024 271	Screw w/Sealer
12	1	2570 750-1	MOULDING, Frt. Door Wdo. Opng. Frame, Frt. (23-23-32)				
13	2	2605 208	COVER, Roof Side Drain Trough (23-59-57)				
14	1	2570 752-3	MOULDING, Frt. Door Wdo. Opng. Frame, Upr. (23-23-32)				
15	1	2570 754-5	MOULDING, Frt. Door Wdo. Opng. Frame, Rr. (23-23-32)				
16	1	2860 636-7	PANEL, Body Ctr. Pillar Outside Finish (23-23-16)				
	8	6024 271	Screw				
17	1	2570 914-5	MOULDING, Rear Door Wdo. Opng. Frame, Frt. (23-23-33)				

CONTINUED ON NEXT PAGE

All Packages Include Attaching Parts

Part Type Code is Indicated in Parentheses

EXTERIOR VIEW - CORONET 500 W-P STATION WAGON

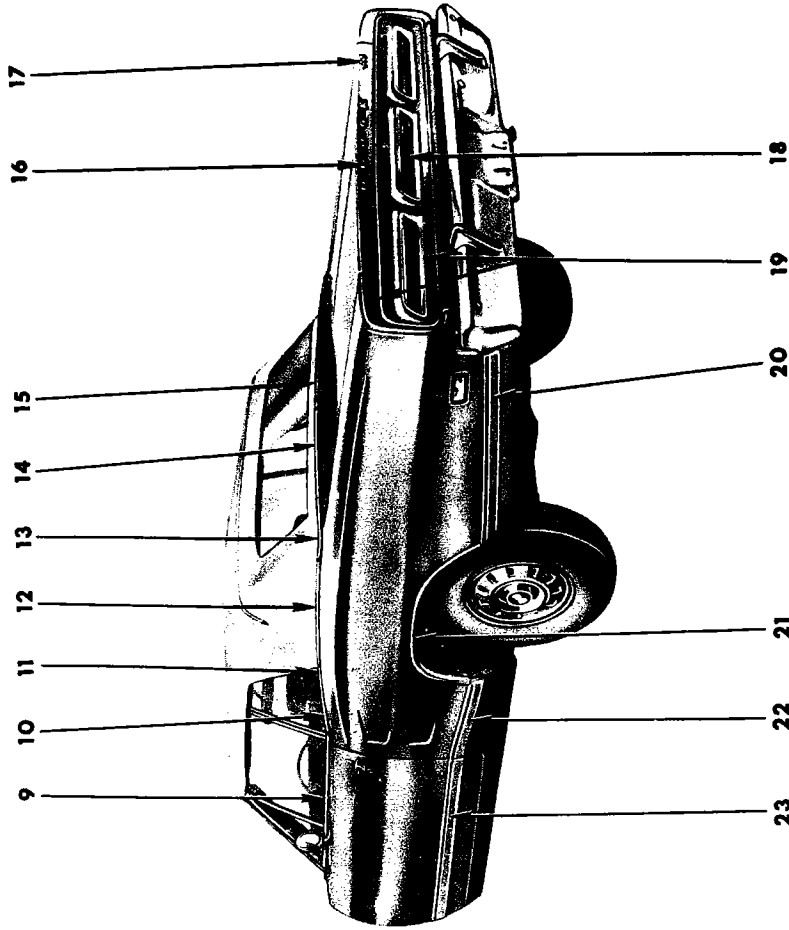
1969 PASSENGER CAR PARTS CATALOG

REF. NO.	QTY	PART NUMBER	DESCRIPTION
34	1	2860 868-9	MOULDING, Qtr. Wdo. Outside, Frt., S/Steel (23-23-73)
35	1	2932 116-7	MOULDING PACKAGE, Qtr. Outside Wheel Opng. (23-23-39)
	2	6002 556	Retainer
	14	6024 271	Screw w/Sealer
36	1	2811 446-7	MOULDING, Rear Door Wdo. Opng. Frame, Rr. (23-23-33)
37	1	2932 132-3	MOULDING PACKAGE, Rear Door Upper (23-23-33)
	10	6001 910	Retainer
	2	6002 162	Retainer
	10	6024 271	Screw w/Sealer
	2	6026 523	Nut
38	1	2932 146-7	MOULDING PACKAGE, Rear Door Outside (23-23-33)
	8	6001 611	Retainer
	4	6002 177	Retainer
	6	6024 271	Screw w/Sealer
	4	6026 523	Nut

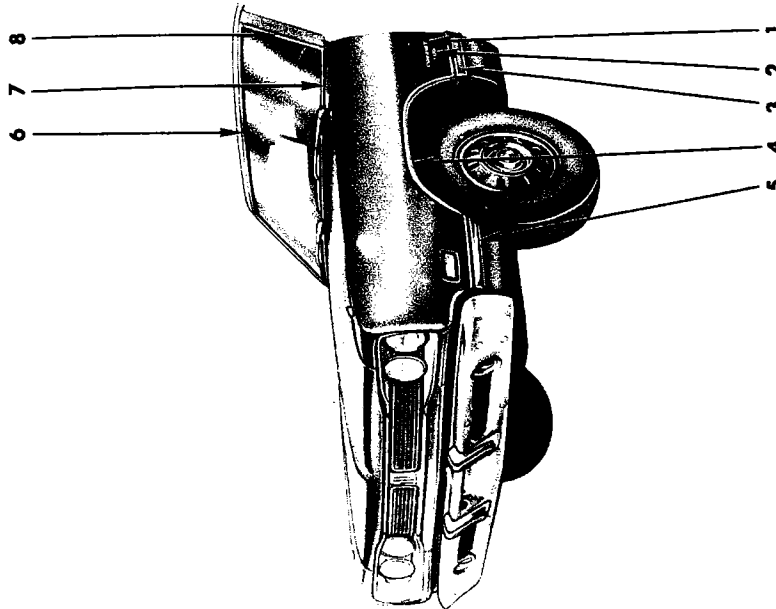
REF. NO.	QTY	PART NUMBER	DESCRIPTION
39	1	2932 148-9	MOULDING PACKAGE, Frt. Door Outside (23-23-32)
	10	6001 611	Retainer
	4	6002 177	Retainer
	8	6024 271	Screw w/Sealer
	4	6026 523	Nut
40	1	2932 122-3	MOULDING PACKAGE, Frt. Door Outside (23-23-32)
	12	6001 910	Retainer
	2	6002 162	Retainer
	12	6024 271	Screw w/Sealer
	2	6026 523	Nut

All Packages Include Attaching Parts

Part Type Code is Indicated in Parentheses



19a2661



EXTERIOR VIEW - CORONET 500 W-P CONVERTIBLE COUPE

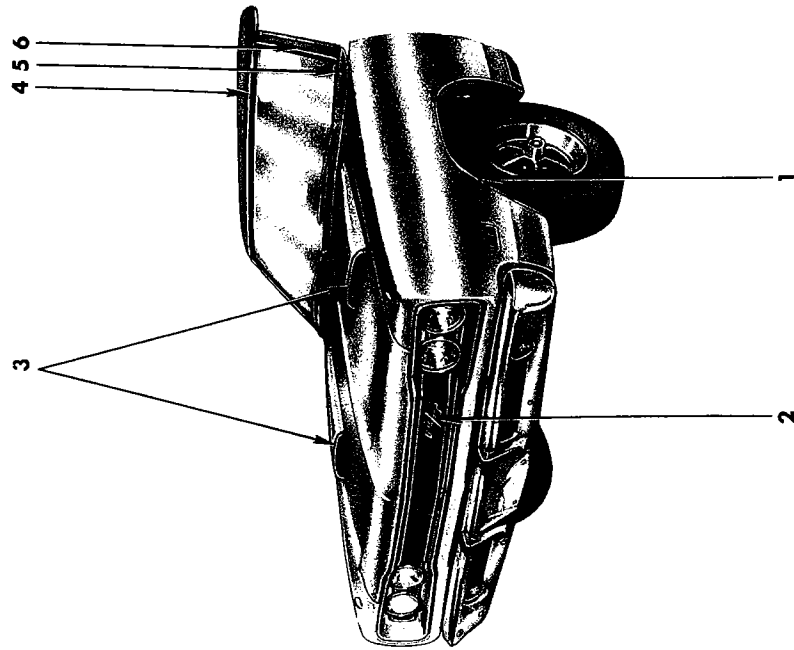
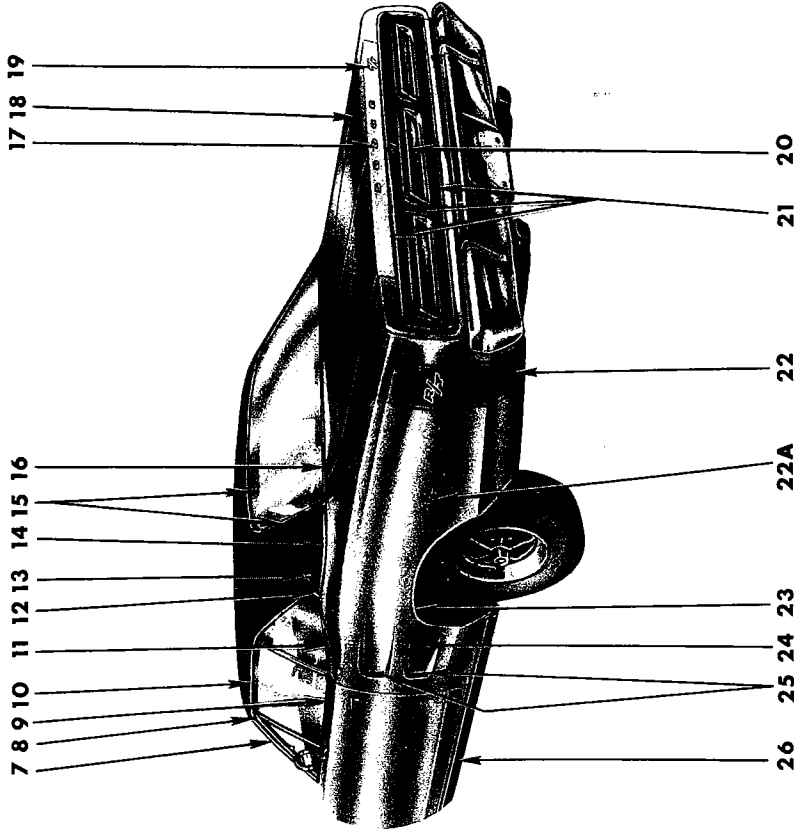
REF. NO.	QTY	PART NUMBER	DESCRIPTION	REF. NO.	QTY	PART NUMBER	DESCRIPTION
1	2	2901 751	NAME PLATE, Fender Side (Coronet) (12-15-21)	13	1	2932 186-7	MOULDING PACKAGE, Qtr. Outside Belt, Rear Corner (23-23-39)
	4	6027 352	Nut		6	9415 938	Screw
2	2	2901 811	NUMERAL, Fender Side (500) (12-15-21)	14	2	2932 089	MOULDING PACKAGE, Deck Opng. Upr. Pnl. (23-23-31)
	4	6027 352	Nut		4	6002 497	Retainer
3	1	3419 054-5	MOULDING PACKAGE, Fender Side Rear (12-15-2)		4	9416 049	Screw
	1	6002 610	Retainer	15	1	2841 642	COVER, Deck Opng. Upr. Pnl. Mldg. (23-23-41)
	1	6002 728	Retainer	16	2	2784 488	NAME LETTER, Deck Lid, "D" (23-19-114)
	1	6002 761	Retainer		1	2784 489	"O"
4	1	3419 050-1	MOULDING PACKAGE, Fender Wheel Opening (12-15-2)		1	2784 490	"G"
	5	6024 271	Screw		1	2784 491	"E"
5	1	3419 052-3	MOULDING PACKAGE, Fender Side Front (12-15-2)		10	6000 050	Clip
	2	6026 523	Nut	17	1	2901 811	NUMERALS, Deck Lid, "500" (23-19-114)
	2	6002 760	Retainer		2	6000 050	Clip
6	1	2586 272-3	MOULDING PACKAGE, Wind- shield Outside, Upr. (23-23-65)	18	1	2902 636	LENS, Deck Opng. Lwr. Finish Pnl. (23-23-25)
	8	6026 220	Screw	19	1	2902 639	PANEL, Deck Opng. Lwr. Finish (23-23-28)
7	1	2585 852-3	MOULDING PACKAGE, Wind- shield Outside, Lwr. (23-23-65)		13	6024 152	Nut
	10	6001 855	Retainer & Seal		8	6002 768	Retainer & Sealing Washer
	1	6002 242	Retainer, Rt.		2	6027 315	Nut & Clip
	1	6002 243	Retainer, Lt.	20	1	2933 892-3	MOULDING PACKAGE, Qtr. Outside, Rear (23-23-39)
	10	6023 248	Screw		12	6002 710	Retainer
	2	9418 246	Screw		10	6002 761	Retainer
8	1	2586 274-5	MOULDING PACKAGE, Wind- shield Outside, Side (23-23-65)	21	1	2933 886-7	MOULDING PACKAGE, Qtr. Outside Whl. Opng. (23-23-39)
	8	9415 910	Screw		16	6024 271	Screw
9	1	2932 096-7	MOULDING PACKAGE, Door Outside Belt (23-23-32)	22	1	2933 888-9	MOULDING PACKAGE, Qtr. Outside, Frt. (23-23-39)
	12	6002 549	Retainer		8	6002 761	Retainer
10	1	2932 190-1	MOULDING PACKAGE, Qtr. Wdo. Outside Belt (23-23-39)		2	6002 790	Retainer
	6	6026 552	J Nut		2	9420 866	Nut
	6	9414 752	Screw	23	1	2933 948-9	MOULDING PACKAGE, Door Outside (23-23-32)
11	1	2932 192-3	MOULDING PACKAGE, Qtr. Outside Belt, Intermediate (23-23-39)		12	6002 710	Retainer
	4	6027 282	Screw		2	6002 728	Retainer
12	1	2932 188-9	MOULDING PACKAGE, Qtr. Outside Belt, Rr. (23-23-39)		12	6002 761	Retainer
	8	6002 497	Retainer		2	6026 523	Nut
	8	9416 049	Screw				

All Packages Include Attaching Parts

Part Type Code is Indicated in Parentheses

EXTERIOR VIEW - CORONET 500 W-P CONVERTIBLE COUPE

19a2491A



EXTERIOR VIEW - CORONET R/T W-S 2 DOOR HARDTOP

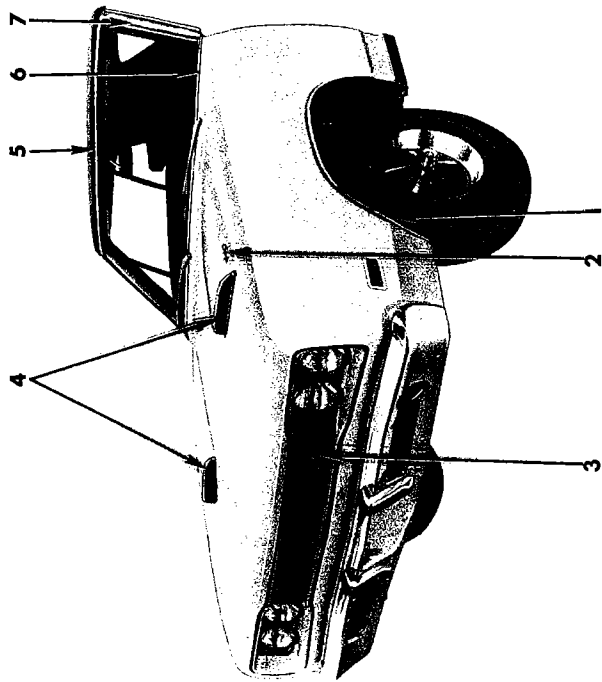
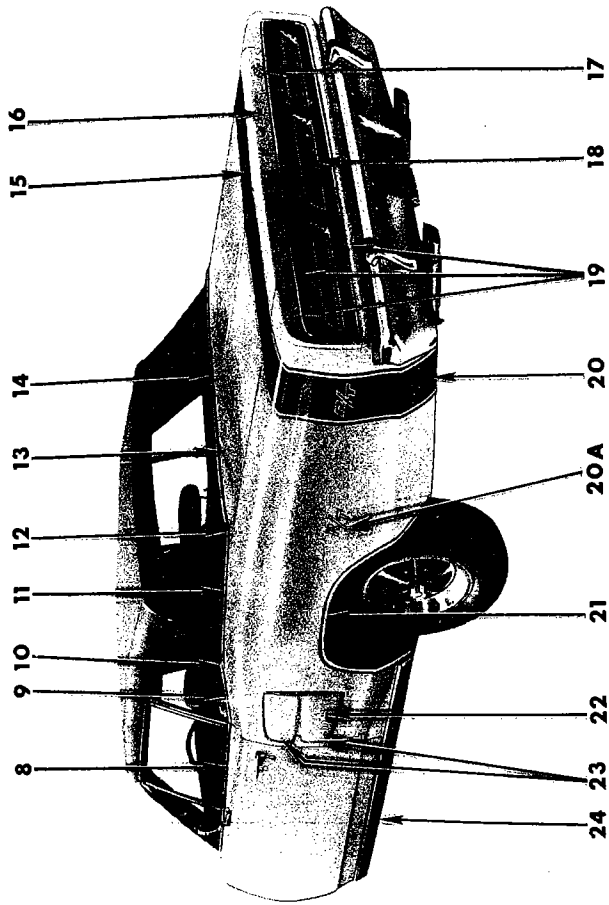
REF. NO.	QTY	PART NUMBER	DESCRIPTION	REF. NO.	QTY	PART NUMBER	DESCRIPTION
1	1	2932 284-5	MOULDING PACKAGE, Fender Wheel Opening (12-15-2)	14	1	2932 118-9	MOULDING PACKAGE, Qtr. Outside Belt, use w/Vinyl Roof and Two Tone Paint (23-23-39)
	14	6027 413	Screw		6	6002 065	Retainer
2	1	2898 886	ORNAMENT, Radiator Grille, R/T (7-17-1)	15	1	3004 390-1	MOULDING PACKAGE, Rear Wdo. Outside, Side and Upr. (23-23-52)
	2	9420 620	Nut		10	6001 084	Retainer and Screw
3	1	2949 146-7	BEZEL, Hood Air Scoop (15-03-18)	16	1	3004 392-3	MOULDING PACKAGE, Rear Wdo. Outside, Lwr. (23-23-52)
	4	6026 906	Nut		7	6001 084	Retainer and Screw
	4	6026 627	Screw	17	2	2784 488	NAME LETTER, Deck Lid, "D" (23-19-114)
4	1	2811 259	MOULDING, Windshield Outside, Upr. (23-23-65)		1	2784 489	"O"
	8	6002 263	Retainer Screw and Seal		1	2784 490	"G"
5	1	2811 888-9	MOULDING, Windshield Outside Finish, Lwr. (23-23-65)		1	2784 491	"E"
	10	6001 855	Retainer		10	6000 050	Clip
	10	6023 248	Screw	18	1	2964 482	TAPE, Deck Lid Transverse Color Stripe, "White" (23-23-12)
6	1	2811 260-1	MOULDING, Windshield Outside Finish, Side (23-23-65)		1	2964 816	"Red"
	6	6002 263	Retainer Screw and Seal		1	2964 817	"Black"
7	1	2840 280-1	MOULDING, Body Frt. Pillar Drain Trough, w/o Vinyl Roof (23-59-61)	19	1	2901 817	NAME PLATE, Deck Lid, "R/T" (23-19-114)
	2	-----	Spacer		2	6000 050	Clip
	1	2932 512-3	MOULDING PACKAGE, Body Frt. Pillar Drain Trough, w/Vinyl Roof (23-59-61)	20	1	2902 636	LENS, Deck Opng. Lwr. Finish Pnl. (23-23-25)
	2	-----	Spacer	21	1	2902 639	PANEL, Deck Opng. Lwr. Finish (23-23-28)
8	2	2783 028	COVER, Roof Side Drain Trough Mldg. Joint (23-59-57)		13	6024 152	Nut
9	1	2932 096-7	MOULDING PACKAGE, Door Outside Belt (23-23-32)		8	6002 768	Retainer and Washer
	12	6002 549	Retainer		2	6027 315	Nut and Clip
10	1	2840 282-3	MOULDING, Roof Side Drain Trough, w/o Vinyl Roof (23-59-61)	22	1	2964 480-1	TAPE, Qtr. Pnl. Transverse Color Stripe, "White" (23-23-12)
	6	-----	Spacer		1	2964 812-3	"Red"
	1	2841 504-5	MOULDING, Roof Side Drain Trough, w/Vinyl Roof (23-59-61)		1	2964 814-5	"Black"
	6	-----	Spacer	22A	2	2901 812	NAME PLATE, Qtr. Outside, R/T (23-34-238)
11	1	2932 108-9	MOULDING and T/PLATE PACKAGE, Qtr. Wdo. Outside Belt (23-23-73)		6	6027 466	Nut
	2	6023 898	Screw	23	1	2932 112-3	MOULDING PACKAGE, Qtr. Outside Whl. Opng. (23-23-39)
	8	6026 552	J-Nut		16	6024 271	Screw w/Sealer
	8	9414 752	Screw	24	1	2902 966-7	ORNAMENT and STUD, Qtr. Pnl. Air Intake (23-34-334)
12	2	2840 884-5	CAP, Roof Side Drain Trough Mldg. End (23-59-57)		10	6027 315	Nut
	2	6024 271	Screw	25	2	2901 806-7	MOULDING, Qtr. Outside Air Intake Ornament (23-23-39)
13	2	2841 393	MEDALLION, Roof Side, w/Vinyl Roof (23-34-334)		8	-----	Screw
	2	6027 265	Seal	26	1	2932 180-1	MOULDING PACKAGE, Body Side Sill Outside (23-23-2)
	2	6027 564	Screw		2	6002 443	Retainer
					18	6002 445	Retainer
					2	116 000	Nut

All Packages Include Attaching Parts

Part Type Code is Indicated in Parentheses

EXTERIOR VIEW - CORONET R/T W-S 2 DOOR HARDTOP

19a2601A



EXTERIOR VIEW - CORONET R/T W-S CONVERTIBLE COUPE

REF. NO.	QTY	PART NUMBER	DESCRIPTION
1	1	2932 284-5	MOULDING PACKAGE, Fender Wheel Opening (12-15-2)
	7	6027 413	Screw
2	2	2898 878	NAME PLATE, Hood Air Scoop (440) (15-06-3)
	4	9420 253	Nut
3	1	2898 886	ORNAMENT, Radiator Grille (7-17-1)
4	1	2949 146-7	BEZEL, Hood Air Scoop (15-03-18)
	4	6026 906	Nut
	4	6026 627	Screw
5	1	2586 272-3	MOULDING PACKAGE, Wind-shield Outside, Upr. (23-23-65)
	8	6026 220	Screw
6	1	2585 852-3	MOULDING PACKAGE, Wind-shield Outside, Lwr. (23-23-65)
	10	6001 855	Retainer & Seal
	1	6002 242	Retainer, Rt.
	1	6002 243	Retainer, Lt.
	10	6023 248	Screw
	2	9418 246	Screw
7	1	2586 274-5	MOULDING PACKAGE, Wind-shield Outside, Side (23-23-65)
	8	9415 910	Screw
8	1	2932 096-7	MOULDING PACKAGE, Door Outside Belt (23-23-32)
	12	6002 549	Retainer
9	1	2932 190-1	MOULDING PACKAGE, Qtr. Wdo. Outside Belt (23-23-39)
	6	6026 552	J Nut
	6	9414 752	Screw
10	1	2932 192-3	MOULDING PACKAGE, Qtr. Outside Belt, Intermediate (23-23-39)
	4	6027 282	Screw
11	1	2932 188-9	MOULDING PACKAGE, Qtr. Outside Belt, Rr. (23-23-39)
	8	6002 497	Retainer
	8	9416 049	Screw
12	1	2932 186-7	MOULDING PACKAGE, Qtr. Outside Belt, Rr. Corner (23-23-39)
	6	9415 938	Screw
13	2	2932 089	MOULDING PACKAGE, Deck Opng. Upr. Pnl. (23-23-31)
	4	6002 497	Retainer
	4	9416 049	Screw

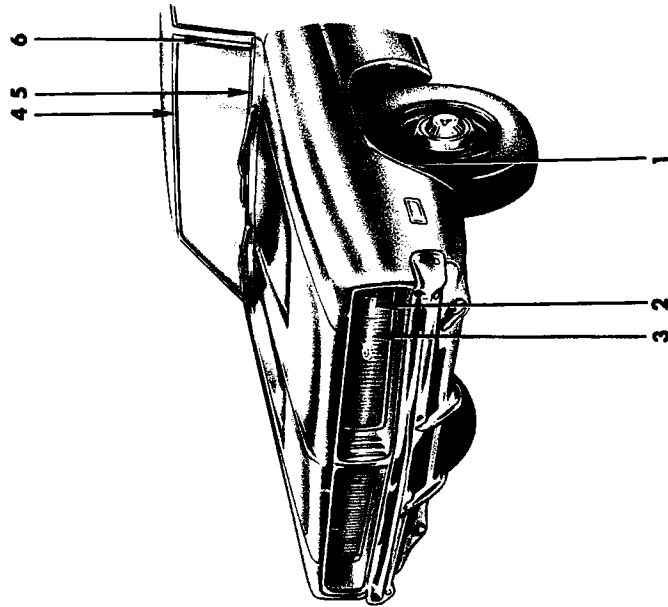
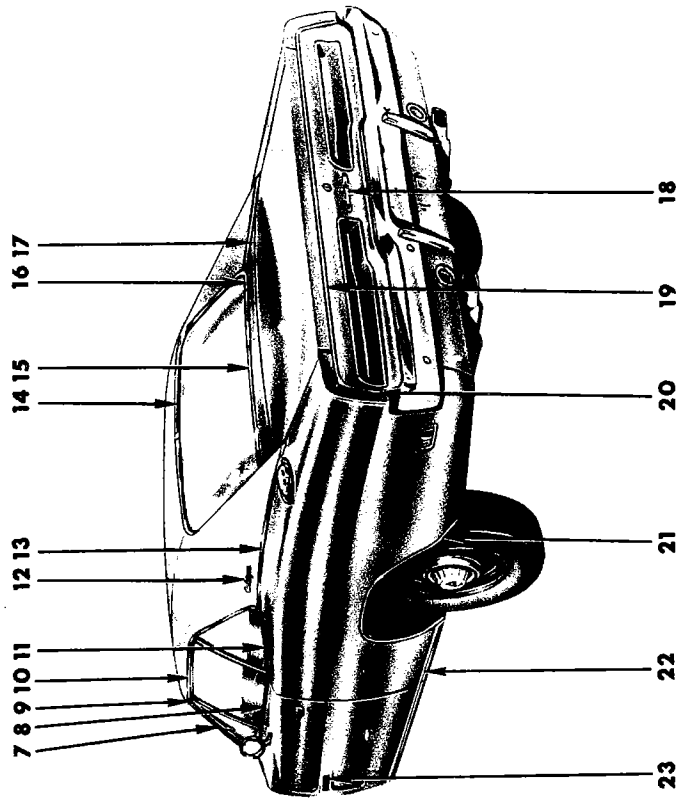
REF. NO.	QTY	PART NUMBER	DESCRIPTION
14	1	2841 642	COVER, Deck Opng. Upr. Pnl. Midg. (23-23-41)
15	1	2964 482	TAPE, Deck Lid Transverse Color Stripe, "White" (23-23-12)
	1	2964 816	"Red"
	1	2964 817	"Black"
16	2	2784 488	NAME LETTER, Deck Lid, "D" (23-19-114)
	1	2784 489	"O"
	1	2784 490	"G"
	1	2784 491	"E"
	10	6000 050	Clip
17	1	2901 817	NAME PLATE, Deck Lid, "R/T" (23-19-114)
	2	6000 050	Clip
18	1	2902 636	LENS, Deck Opng. Lwr. Finish Panel (23-23-25)
19	1	2902 639	PANEL, Deck Opng. Lwr. Finish (23-23-28)
	13	6024 152	Nut
	8	6002 768	Retainer & Sealing Washer
	2	6027 315	Nut & Cup
20	1	2964 480-1	TAPE, Qtr. Pnl. Transverse Color Stripe, "White" (23-23-12)
	1	2964 812-3	"Red"
	1	2964 814-5	"Black"
20A	2	2901 812	NAME PLATE, Qtr. Outside, R/T (23-34-238)
	6	6027 466	Nut
21	1	2932 112-3	MOULDING PACKAGE, Qtr. Outside Wheel Opening (23-23-39)
	16	6024 271	Screw w/Sealer
22	1	2902 966-7	ORNAMENT and STUD, Qtr. Pnl. Air Intake (w/Qtr. Pnl. Air Scoop)(23-34-334)
	10	6027 315	Nut
23	2	2901 806-7	MOULDING, Qtr. Outside Air Intake Ornament (23-23-39)
	8	6027 493	Screw
24	1	2932 180-1	MOULDING PACKAGE, Body Side Sill Outside (23-23-2)
	2	6002 443	Retainer
	18	6002 445	Retainer
	2	116 000	Nut

All Packages include Attaching Parts

Part Type Code is Indicated in Parentheses

EXTERIOR VIEW - CORONET R/T W-S CONVERTIBLE COUPE

19a2403



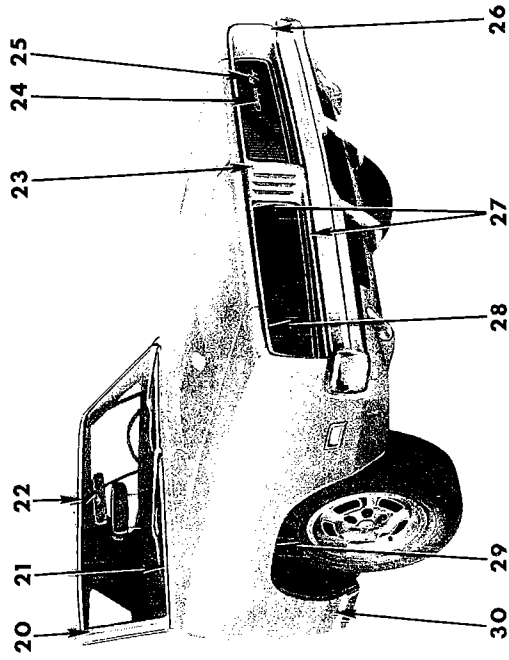
EXTERIOR VIEW - CHARGER W-P FAST BACK

REF. NO.	QTY	PART NUMBER	DESCRIPTION	REF. NO.	QTY	PART NUMBER	DESCRIPTION
1	1	3004 370-1	MOULDING PACKAGE, Fender Wheel Opng. (12-15-2)	12	1	2841 886-7	NAME PLATE, Qtr. Outside (23-34-238)
	8	6024 271	Screw		4	9420 263	Nut
2	1	2898 930	MEDALLION, Headlamp Door, Lt. (8-34-54)	13	1	2932 100-1	MOULDING PACKAGE, Qtr. Outside Belt, use w/Vinyl Roof (23-23-39)
3	1	2898 929	NAME PLATE, Radiator Grille (8-34-54)		6	6002 065	Retainer
	2	9416 175	Nut		4	6002 338	Retainer
4	1	2811 259	MOULDING, Windshield Outside, Upr. (23-23-65)		4	9420 867	Nut
	8	6002 263	Retainer, Screw and Seal	14	1	2932 220-1	MOULDING PACKAGE, Rear Wdo. Outside, Upr. (23-23-52)
5	1	2811 888-9	MOULDING, Windshield Outside Finish, Lwr. (23-23-65)		10	6002 263	Retainer
	10	6001 855	Retainer	15	1	2932 217	MOULDING PACKAGE, Rear Wdo. Outside, Lwr. (23-23-52)
	10	6023 248	Screw		5	6002 263	Retainer
6	1	2811 260-1	MOULDING, Windshield Outside Finish, Side (23-23-65)	16	1	2932 218-9	MOULDING PACKAGE, Rear Wdo. Outside, Corner (23-23-52)
	6	6002 263	Retainer Screw and Seal		4	6002 263	Retainer
7	1	2840 280-1	MOULDING, Body Frt. Pillar Drain Trough, w/o Vinyl Roof (23-59-61)	17	1	2932 102-3	MOULDING PACKAGE, Qtr. Outside Belt to Rr. Wdo., use w/Vinyl Roof (23-23-39)
	2	-----	Spacer		6	9420 293	Nut w/Seal
	1	2932 512-3	MOULDING PACKAGE, Body Frt. Pillar Drain Trough, w/Vinyl Roof (23-59-61)	18	1	2902 306	NAME PLATE, Deck Opening Lwr. Pnl., Charger (23-34-184)
	2	-----	Spacer		3	9420 291	Nut
8	1	2932 094-5	MOULDING PACKAGE, Door Outside Belt (23-23-32)	19	1	2932 538	MOULDING PACKAGE, Deck Opng. Lwr. Pnl., Upr. (23-23-23)
	2	6002 570	Clip		7	6024 271	Screw
	2	6002 571	Clip	20	1	3419 324-5	MOULDING PACKAGE, Deck Opng. Lwr. Pnl., End (23-23-23)
	2	6002 572	Clip		1	2932 110-1	MOULDING PACKAGE, Qtr. Outside Wheel Opng. (23-23-39)
	2	6002 573	Clip		8	6024 271	Screw w/Seal
	2	6002 574	Clip	21	1	2933 914-5	MOULDING PACKAGE, Body Side Sill Outside (23-23-2)
	4	6002 575	Clip		2	6002 443	Retainer
9	2	2783 028	COVER, Roof Side Drain Trough Mldg. Joint (23-59-57)		30	6002 750	Retainer
10	1	2840 282-3	MOULDING, Roof Side Drain Trough, w/o Vinyl Roof (23-59-61)		2	6026 221	Screw
	6	-----	Spacer		2	116 000	Nut
	1	2841 504-5	MOULDING, Roof Side Drain Trough, w/Vinyl Roof (23-59-61)	22	2	2785 558	NAME PLATE, Door Side Ornament, "Hemi" (23-11-21)
	6	-----	Spacer		6	6025 846	Nut w/Seal
11	1	2932 104-5	MOULDING and T/PLATE PACKAGE, Qtr. Wdo. Outside, Belt (23-23-73)				
	2	6023 898	Screw				
	8	6026 552	J-Nut				
	8	9414 752	Screw				

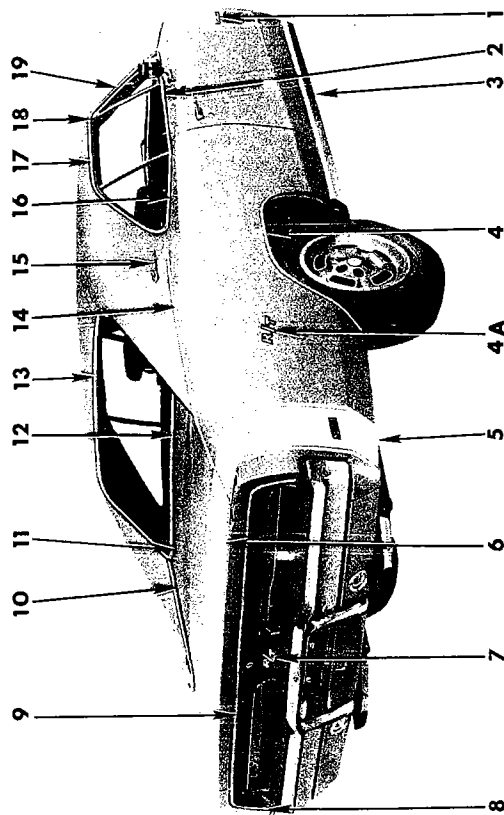
All Packages Include Attaching Parts

Part Type Code is Indicated in Parentheses

EXTERIOR VIEW - CHARGER W-P FAST BACK



19a2550 A



EXTERIOR VIEW - CHARGER R/T W-S FAST BACK

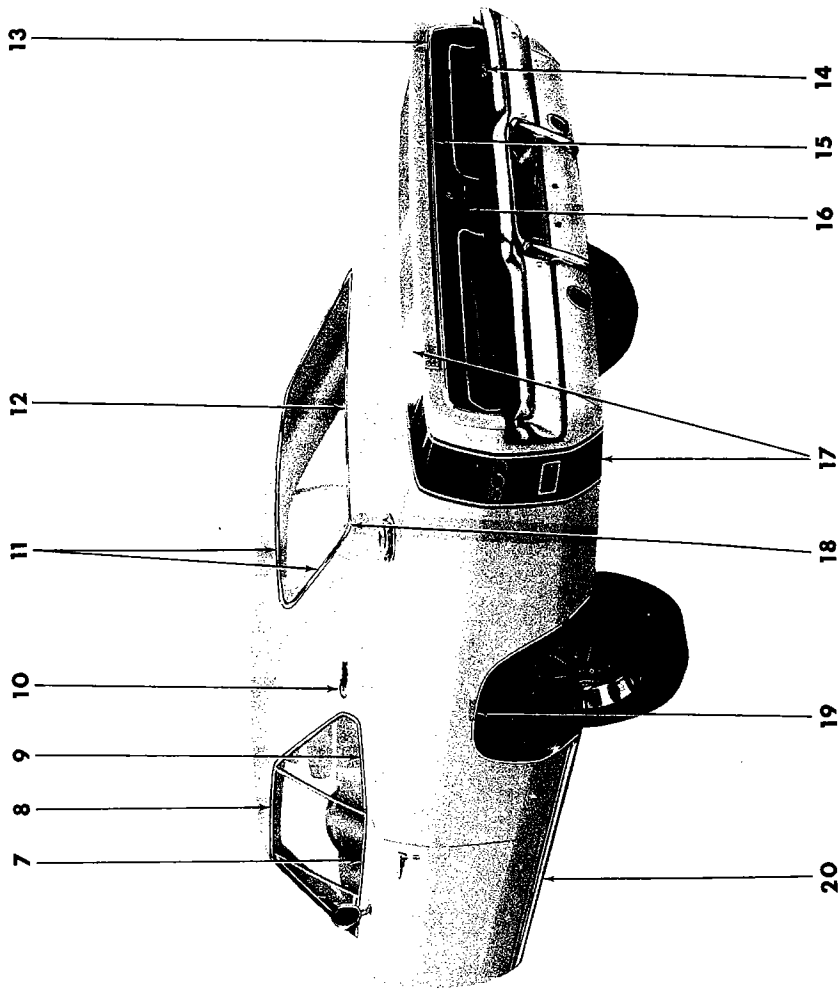
REF. NO.	QTY	PART NUMBER	DESCRIPTION	
1	2	2785 558	NAME PLATE, Door Side Ornament, "Hemi" (23-11-21)	
2	6	6025 846	Nut w/Seal	
	1	2932 094-5	MOULDING PACKAGE, Door Outside Belt (23-23-32)	
	2	6002 570	Clip	
	2	6002 571	Clip	
	2	6002 572	Clip	
	2	6002 573	Clip	
2	2	6002 574	Clip	
	4	6002 575	Clip	
	3	1	2933 914-5	MOULDING PACKAGE, Body Side Sill Outside (23-23-2)
	2	6002 443	Retainer	
30	2	6002 750	Retainer	
	2	6026 221	Screw	
	2	116 000	Nut	
4	1	2932 110-1	MOULDING PACKAGE, Qtr. Outside Whl. Opng. (23-23-39)	
4A	8	6024 271	Screw w/Seal	
	2	2901 812	NAME PLATE, Qtr. Outside, R/T (23-34-238)	
5	6	6027 466	Nut	
	1	2963 848-9	TAPE, Rear Qtr. Stripe, Transverse "White" (23-23-12)	
	1	2963 850-1	"Red"	
6	1	2963 852-3	"Black"	
	1	2963 854	TAPE, Deck Lid Stripe, Transverse "White" (23-23-12)	
7	1	2963 855	"Red"	
	1	2963 856	"Black"	
7	1	2902 389	NAME PLATE, Deck Opng. Lwr. Pnl., "R/T" (23-34-184)	
	2	9420 291	Nut	
8	1	3419 324-5	MOULDING PACKAGE, Deck Opng. Lwr. Pnl. End (23-23-23)	
9	1	2932 538	MOULDING PACKAGE, Deck Opng. Lwr. Pnl., Upr. (23-23-23)	
	7	6024 271	Screw	
10	1	2932 102-3	MOULDING PACKAGE, Qtr. Outside Belt to Rear Wdo., Use w/Vinyl Roof (23-23-39)	
11	6	9420 293	Nut w/Seal	
	1	2932 218-9	MOULDING PACKAGE, Rear Wdo. Outside, Corner (23-23-52)	
12	4	6002 263	Retainer	
	1	2932 217	MOULDING PACKAGE, Rear Wdo. Outside, Lwr. (23-23-52)	
13	5	6002 263	Retainer	
	1	2932 220-1	MOULDING PACKAGE, Rear Wdo. Outside, Upr. (23-23-52)	
14	10	6002 263	Retainer	
	1	2932 100-1	MOULDING PACKAGE, Qtr. Outside Belt, use w/Vinyl Roof (23-23-39)	
	6	6002 065	Retainer	
	4	6002 338	Retainer	
	4	9420 867	Nut	

All Packages Include Attaching Parts

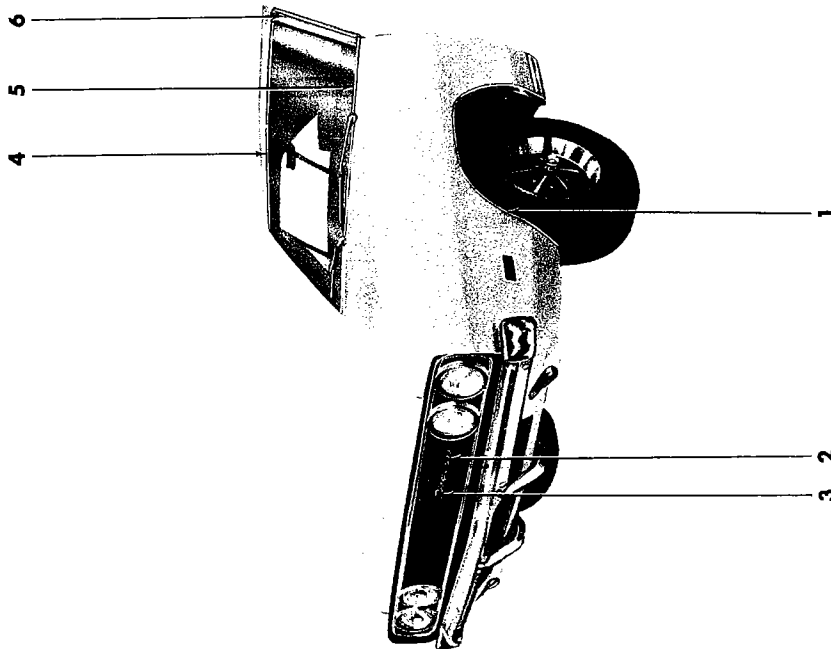
REF. NO.	QTY	PART NUMBER	DESCRIPTION
15	1	2841 886-7	NAME PLATE, Qtr. Outside (23-34-238)
16	4	9420 263	Nut
	1	2932 104-5	MOULDING and T/PLATE PACKAGE, Qtr. Wdo. Outside Belt (23-23-73)
	2	6023 898	Screw
17	8	6026 552	J-Nut
	8	9414 752	Screw
	1	2840 282-3	MOULDING, Roof Side Drain Trough, w/o Vinyl Roof (23-59-61)
6	----	----	Spacer
	1	2841 504-5	MOULDING, Roof Side Drain Trough, w/Vinyl Roof (23-59-61)
18	6	----	Spacer
	2	2783 028	COVER, Roof Side Drain Trough Mldg. Joint (23-59-57)
19	1	2840 280-1	MOULDING, Body Frt. Pillar Drain Trough, w/o Vinyl Roof (23-59-61)
	2	----	Spacer
20	1	2932 512-3	MOULDING PACKAGE, Body Frt. Pillar Drain Trough, w/Vinyl Roof (23-59-61)
	2	----	Spacer
21	1	2811 260-1	MOULDING, Windshield Outside Finish, Side (23-23-65)
	6	6002 263	Retainer Screw and Seal
22	1	2811 888-9	MOULDING, Windshield Outside Finish, Lwr. (23-23-65)
	10	6001 855	Retainer
23	10	6023 248	Screw
	1	2811 259	MOULDING, Windshield Outside, Upr. (23-23-65)
24	8	6002 263	Retainer Screw and Seal
	1	2898 297 927	MOULDING, Radiator Grille Center (7-16-36)
25	1	2898 929	NAME PLATE, Headlamp Door Lt. (8-34-54)
	2	9416 175	Nut
26	1	2898 931	MEDALLION, Headlamp Door Lt. (8-34-54)
	3	449 011	Screw
27	1	2932 206-7	MOULDING, Radiator Grille Extension Outer (7-16-36)
	2	2898 678	MOULDING, Upper and Lower (7-16-36)
28	1	2932 206-7	MOULDING, Radiator Grille Extension Outer (7-16-36)
	1	2932 284-5	MOULDING PACKAGE, Fender Whl. Opng. (12-15-2)
29	14	6027 413	Screw
	1	2785 540	MEDALLION, Fender Side (12-15-21)
30	1	6026 404	Clip

Part Type Code is Indicated in Parentheses

EXTERIOR VIEW - CHARGER R/T W-S FAST BACK



19a2719 A



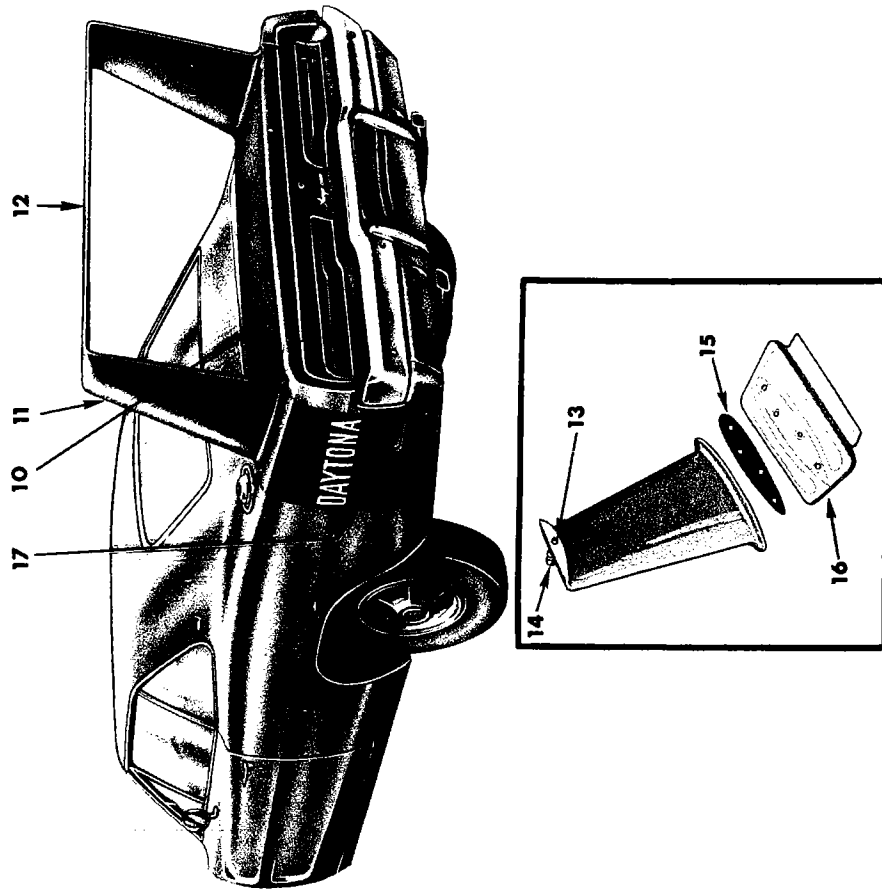
EXTERIOR VIEW - CHARGER 500 W-S FAST BACK

REF. NO.	QTY	PART NUMBER	DESCRIPTION	REF. NO.	QTY	PART NUMBER	DESCRIPTION
1	1	3004 370-1	MOULDING PACKAGE, Fender Wheel Opening (12-15-2)	11	1	3412 152-3	MOULDING, Rear Wdo. Outside Upr. Finish (23-23-52)
2	1	2901 811	NUMERALS, Radiator Grille, 500 (7-17-1)	12	1	3412 582	MOULDING, Rear Wdo. Outside Lwr. Finish (23-23-52)
3	1	445 170 2840 066	Spring Nut NAME PLATE, Radiator Grille (7-16-61)	13	1	3419 324-5	MOULDING PACKAGE, Deck Opng. Lwr. Pnl., End (23-23-23)
4	1	9411 579 2811 259	Stud Pin MOULDING, Windshield Outside, Upr. (23-23-65)	14	-	-----	NUMERALS, Deck Opening Lwr. Panel (23-34-184)
5	8	6002 263	Retainer Screw & Seal	15	1	2932 538	MOULDING PACKAGE, Deck Opng. Lwr. Pnl., Upr. (23-23-23)
5	1	2811 888-9	MOULDING, Windshield Outside Finish, Lwr. (23-23-65)	16	7	6024 271	Screw
6	10	6001 855	Retainer	16	1	-----	NAME PLATE, Deck Opng. Lwr. Pnl., Charger (23-34-184)
6	10	6023 248	Screw	17	1	3412 280	TAPE PACKAGE, Deck and Qtr., Complete, "500", "White" (23-23-12)
6	1	3412 150-1	MOULDING, Windshield Outside Side Finish (23-23-65)		1	3412 281	"Red"
7	1	2932 094-5	MOULDING PACKAGE, Door Outside Belt (23-23-32)		1	3412 282	"Black"
	2	6002 570	Clip		1	3571 306-7	TAPE, Rr. Qtr. Stripe, "500", "White"
	2	6002 571	Clip		1	3571 308-9	"Red"
	2	6002 572	Clip		1	3571 310-1	"Black"
	2	6002 573	Clip	18	1	2932 218-9	MOULDING PACKAGE, Rear Wdo. Outside, Corner (23-23-52)
	2	6002 574	Clip		4	6002 263	Retainer
	4	6002 575	Clip	19	1	2932 110-1	MOULDING PACKAGE, Qtr. Outside Wheel Opening (23-23-39)
8	1	2840 282-3	MOULDING, Roof Side Drain Trough (23-59-61)		8	6024 271	Screw w/Seal
	6	-----	Spacer	20	1	2932 184-5	MOULDING PACKAGE, Body Side Sill Outside (23-23-2)
9	1	2932 104-5	MOULDING and T/PLATE PACKAGE, Qtr. Wdo. Outside Belt (23-23-73)		16	6002 406	Retainer
	2	6023 898	Screw		2	6002 440	Retainer
	8	6026 552	J-Nut		2	6026 760	Screw
	8	9414 752	Screw		2	116 000	Nut
10	1	-----	NAME PLATE, Qtr. Outside (23-34-238)				

All Packages Include Attaching Parts

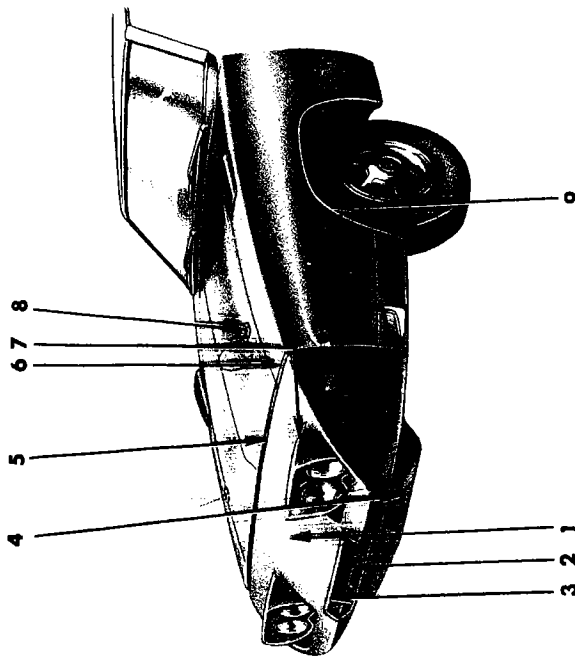
Part Type Code is Indicated in Parentheses

EXTERIOR VIEW - CHARGER 500 W-S FAST BACK



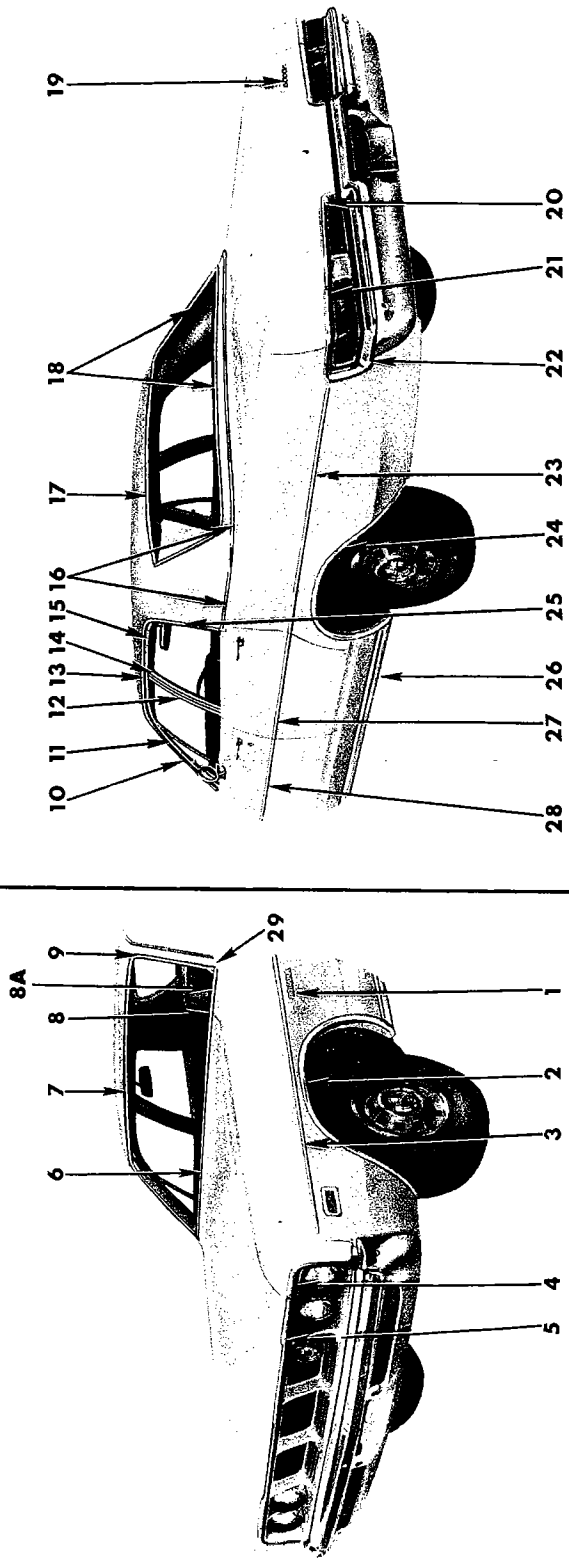
19a2900

EXTERIOR VIEW - DAYTONA CHARGER



REF. NO.	PART NUMBER	DESCRIPTION
1	3412 761	NOSE CONE
2	3412 617	PANEL, Radiator Grille
3	3412 622	FRAME, Radiator Grille
4	3412 616	SPOILER, Front
5	2962 624	SEAL, Hood
6	3412 668-9	CLOSURE, Front Fender
7	3412 620-1	HEADLAMP HOUSING
8	3549 611	LOCK PACKAGE
9	3412 646-7	MOULDING
10	3412 657	STRIPE, Deck Lid Red
	3412 658	STRIPE, White
	3412 659	STRIPE, Black
11	3412 626-7	STABILIZER VERT.
12	3412 619	STABILIZER HORZ.
13	9409 682	PIN
14	3412 687	CAP SCREW
15	3412 689	INSULATOR
16	3412 624-5	REINF. PLATE
17	3412 638-9	STRIPE, Center Panel Red
	3412 640-1	STRIPE, White
	3412 642-3	STRIPE, Black

19a2513A



EXTERIOR VIEW - DODGE POLARA D-L 4 DOOR SEDAN

REF. NO.	QTY	PART NUMBER	DESCRIPTION
1	2	2902 300	NAME PLATE, Fender Side (12-15-21)
	6	6000 050	Clip
2	1	2933 266-7	MOULDING PACKAGE, Fender Wheel Opening, use w/Sill Moulding Wide (12-15-2)
	7	6024 271	Screw
3	2	2933 532	MOULDING PACKAGE, Fender Side (12-15-2)
	2	441 239	Nut
	2	6026 523	Nut
	2	6002 745	Retainer
	2	6002 604	Retainer
	6	6002 602	Retainer
	2	3514 086	MOULDING PACKAGE, Fender Side, "Black" (12-15-2)
	2	3514 087	"Blue"
	2	3514 088	"Green"
	2	3514 089	"Red"
4	1	2898 832-3	MOULDING, Fender Hood Frt. Extension (12-15-2)
	8	6027 999	Screw
5	1	2933 254	MOULDING PACKAGE, Hood Front, w/o Name Letters (15-25-2)
	8	9418 246	Screw
	1	3481 837	MOULDING PACKAGE, Hood Front, w/Name Letters
	6	116 000	Nut
6	1	2898 711	MOULDING, Hood Top Rear (15-25-2)
7	1	2893 077	MOULDING, Windshield Outside Upr. (23-23-65)
	7	6002 688	Retainer
8	1	2933 963	MOULDING PACKAGE, Windshield Outside, Lower (23-23-65)
	1	3419 448	MOULDING PACKAGE, Windshield Outside Lower Center and Ends, AFTER Type (23-23-65)
	5	9418 246	Screw
8A	1	3439 034-5	MOULDING, Windshield Lwr. End (23-23-65)
	2	6024 271	Screw, w/Seal
9	1	2933 964-5	MOULDING PACKAGE, Windshield Outside, Side (23-23-65)
	6	2900 275	Spacer
	6	6002 688	Screw
10	1	2933 592-3	MOULDING PACKAGE, Body Frt. Pillar Drain Trough (23-59-61)
	10	6027 459	Screw
11	1	2893 698-9	MOULDING, Frt. Door Wdo. Opng. Frame, Upr. (23-23-32)
12	1	2893 700-1	MOULDING, Frt. Door Wdo. Opng. Frame, Rr. (23-23-32)
13	1	#3419 354-5	MOULDING PACKAGE, Roof Side Drain Trough, Frt. (23-59-61)
	4	6024 659	Screw
14	1	2893 700	MOULDING, Rear Door Wdo. Opng. Frame, Frt., Lt. (23-23-33)
	1	2893 701	MOULDING, Rear Door Wdo. Opng. Frame, Frt., Rt.

REF. NO.	QTY	PART NUMBER	DESCRIPTION
15	1	2893 722-3	MOULDING, Rear Door Wdo. Opng. Frame, Upr. (23-23-33)
16	1	2933 594-5	MOULDING PACKAGE, Deck Opng. Upr. Pnl., use w/Vinyl Roof and Two Tone Paint (23-23-31)
	10	6027 459	Screw
17	1	2933 496-7	MOULDING PACKAGE, Rear Wdo. Outside, Upr. (23-23-52)
	8	6002 686	Retainer
18	1	2933 494-5	MOULDING PACKAGE, Rear Wdo. Outside, Side and Lwr. (23-23-52)
	16	6002 686	Retainer
19	1	2898 866	NAME PLATE PACKAGE, Deck Lid Outside, "Dodge" (23-19-114)
	3	6000 050	Clip
20	1	2933 552-3	MOULDING PACKAGE, Deck Lid (23-23-30)
	3	6002 630	Retainer
	8	6026 523	Nut
21	1	2933 904-5	MOULDING PACKAGE, Qtr. Outside End Ext. (23-23-39)
	6	6023 898	Screw
22	1	3419 106-7	MOULDING PACKAGE, Qtr. Outside Tail Lamp Opng. (23-23-39)
	6	6024 271	Screw
23	1	2933 798-9	MOULDING PACKAGE, Qtr. Outside (23-23-39)
	6	6002 602	Retainer
	8	6002 745	Retainer
	8	6024 152	Nut
	1	3514 102-3	MOULDING PACKAGE, Qtr. Outside Panel, "Black" (23-23-39)
	1	3514 104-5	"Blue"
	1	3514 106-7	"Green"
	1	3514 108-9	"Red"
	2	6002 983	Retainer
	2	6026 523	Nut
	12	6002 981	Retainer
	12	6024 271	Screw
24	1	2933 804-5	MOULDING PACKAGE, Qtr. Outside Wheel Opening Wide (23-23-39)
	14	6024 271	Screw
25	1	2933 586-7	MOULDING PACKAGE, Roof Side Drain Trough, Rr. (23-59-61)
	6	6024 271	Screw
26	1	2933 802-3	MOULDING PACKAGE, Body Side Sill, Wide (23-23-2)
	16	6002 601	Retainer
	26	6024 271	Screw
	2	6028 057	Screw

CONTINUED ON NEXT PAGE

All Packages Include Attaching Parts

Part Type Code is Indicated in Parentheses

EXTERIOR VIEW - DODGE POLARA D-L 4 DOOR SEDAN

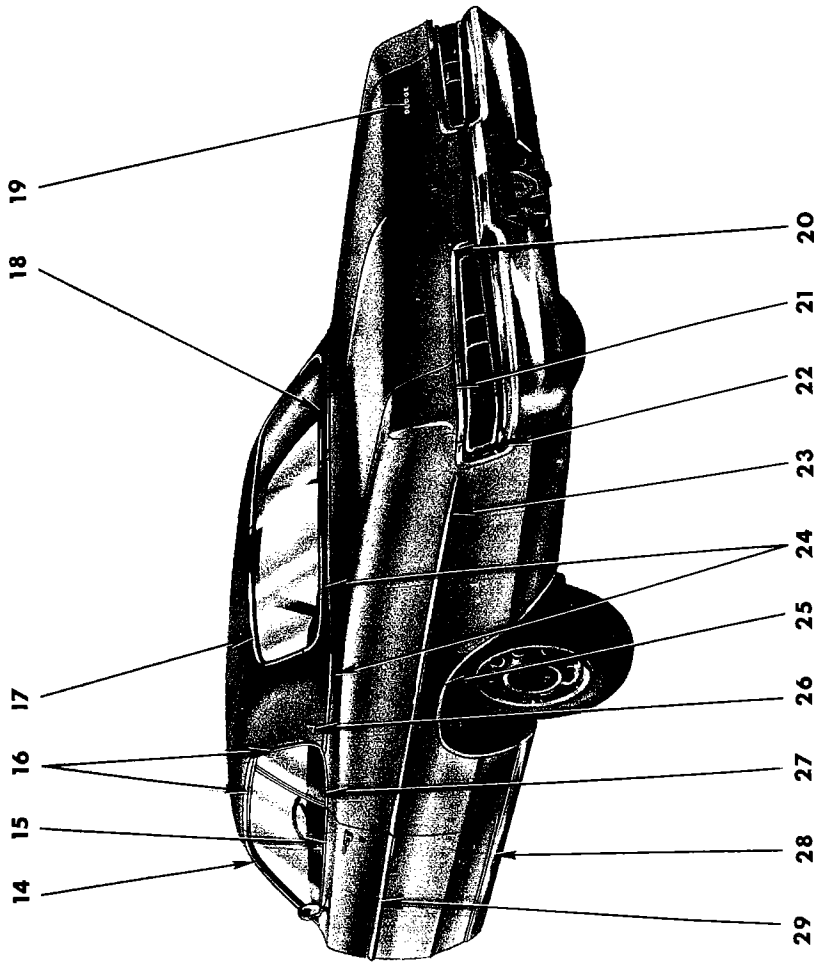
1969 PASSENGER CAR PARTS CATALOG

REF. NO.	QTY	PART NUMBER	DESCRIPTION
27	1	2933 800-1	MOULDING PACKAGE, Rear Door Outside (23-23-33)
	6	6002 602	Retainer
	4	6002 604	Retainer
	4	6026 523	Nut
	1	3514 094-5	MOULDING PACKAGE, Rear Door Outside, "Black" (23-23-33)
	1	3514 096-7	"Blue"
	1	3514 098-9	"Green"
	1	3514 100-1	"Red"
	2	6002 983	Retainer
	2	6026 523	Nut
	3	6002 981	Retainer
	3	6024 271	Screw

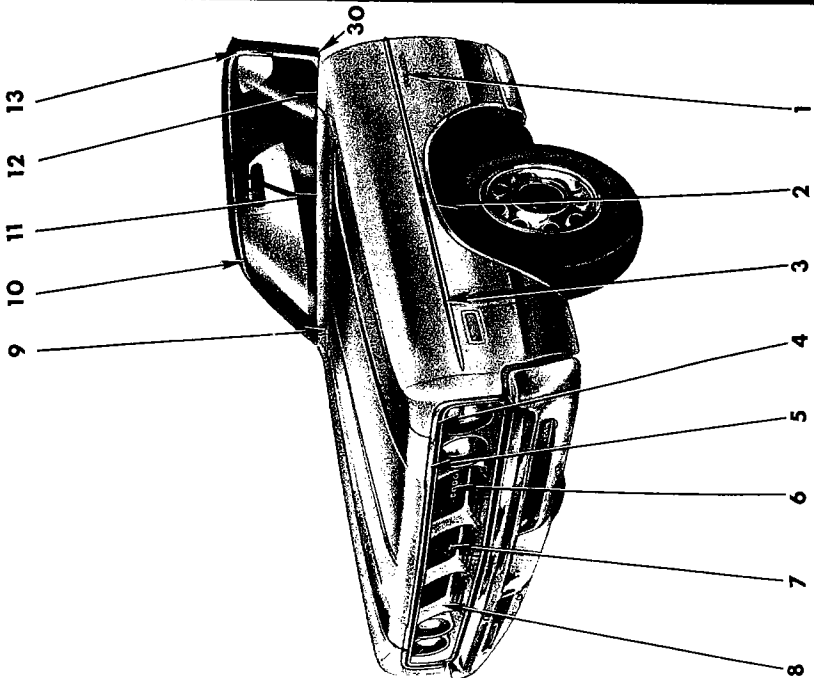
REF. NO.	QTY	PART NUMBER	DESCRIPTION
28	2	2933 795	MOULDING PACKAGE, Frt. Door Outside (23-23-32)
	3	6002 602	Retainer
	2	6002 604	Retainer
	2	6026 523	Nut
	2	3514 090	MOULDING PACKAGE, Frt. Door Outside, "Black" (23-23-32)
	2	3514 091	"Blue"
	2	3514 092	"Green"
	2	3514 093	"Red"
	2	6002 983	Retainer
	2	6026 523	Nut
	3	6002 981	Retainer
	3	6024 271	Screw
29	1	3419 482-3	MOULDING PACKAGE, Body Frt. Lwr. Pillar (23-23-14)
	2	6024 271	Screw, w/Seal

All Packages Include Attaching Parts

Part Type Code is Indicated in Parentheses



19a2659A



EXTERIOR VIEW - DODGE POLARA D-L 2 DOOR HARDTOP

REF. NO.	QTY	PART NUMBER	DESCRIPTION
1	2	2902 300	NAME PLATE, Fender Side (Polaris) (12-15-21)
	6	6000 050	Clip
2	1	2933 266-7	MOULDING PACKAGE, Fender Wheel Opening (12-15-2)
	14	6027 413	Screw
3	2	2933 532	MOULDING PACKAGE, Fender Side (12-15-2)
	1	6026 523	Nut
	1	6002 745	Retainer
	1	6002 604	Retainer
	6	6002 602	Retainer
	2	3514 086	MOULDING PACKAGE, Fender Side (Black) (12-15-2)
	2	3514 087	(Blue)
	2	3514 088	(Green)
	2	3514 089	(Red)
	4	6026 523	Nut
	4	6002 983	Retainer
	12	6002 981	Retainer
4	1	2898 832-3	MOULDING, Fender Hood Front Extension (12-15-2)
	8	6027 999	Screw
5	1	2933 254	MOULDING PACKAGE, Hood Front, w/o Name Letters (15-25-2)
	8	9418 246	Screw
	1	3481 837	MOULDING PACKAGE, Hood Front, w/Name Letters
	6	116 000	Nut
6	1	2898 644	NAME PLATE (7-16-61)
7	1	2898 130	TEXTURE (7-17-13)
8	1	2898 642	FRAME, Radiator Grille (7-16-36)
	4	6025 005	Nut
9	1	2898 857	MOULDING, Hood Top Rear (15-25-2)
10	1	2893 077	MOULDING, Windshield Outside, Upr. (23-23-65)
	7	6002 688	Retainer
11	1	2933 963	MOULDING PACKAGE, Windshield Outside, Lwr. (23-23-65)
	1	3439 448	MOULDING PACKAGE, Windshield Outside Lwr. Ctr. and Ends, After Type (23-23-65)
	5	9418 246	Screw
12	1	3439 034-5	MOULDING, Windshield Lwr. End (23-23-65)
	2	6024 271	Screw, w/Seal
13	1	2933 966-7	MOULDING PACKAGE, Windshield Outside, Side (23-23-65)
	6	2900 275	Spacer
	6	6002 688	Screw
14	1	2933 604-5	MOULDING PACKAGE, Body Frt. Pillar Drain Trough (23-59-61)
	6	6027 459	Screw
15	1	2933 722-3	MOULDING PACKAGE, Door Outside Belt (23-23-32)
	10	6002 782	Retainer and Seal
16	1	3419 360-1	MOULDING PACKAGE, Roof Side Drain Trough, Front and Rear (23-59-61)
	4	6024 659	Screw
17	1	2933 544-5	MOULDING PACKAGE, Rear Wdo. Opng. Upr. (23-23-52)
	12	6002 686	Retainer and Screw

REF. NO.	QTY	PART NUMBER	DESCRIPTION
18	1	2933 546-7	MOULDING PACKAGE, Rear Wdo. Opng. Lwr. (23-23-52)
	12	6002 686	Retainer and Screw
19	1	2898 866	NAME PLATE PACKAGE, Deck Lid, "Dodge" (23-19-114)
	3	6000 050	Clip
20	1	2933 552-3	MOULDING PACKAGE, Deck Lid (23-23-30)
	3	6002 630	Retainer
	8	6026 523	Nut
21	1	2933 904-5	MOULDING PACKAGE, Qtr. Outside End Ext. (23-23-39)
	6	6023 898	Screw
22	1	3419 106-7	MOULDING PACKAGE, Qtr. Outside Tail Lamp Opng. (23-23-39)
	6	6024 271	Screw
23	1	2933 796-7	MOULDING PACKAGE, Qtr. Outside (23-23-39)
	12	6002 602	Retainer
	8	6002 745	Retainer
	8	6024 152	Nut
	2	3514 122	MOULDING PACKAGE, Qtr. Panel Outside, "Black" (23-23-39)
	2	3514 123	"Blue"
	2	3514 124	"Green"
	2	3514 125	"Red"
	2	6002 983	Retainer
	2	6026 523	Nut
	9	6002 981	Retainer
	9	6024 271	Screw
24	1	2933 612-3	MOULDING PACKAGE, Deck Opng. Upr. Pnl., use w/Vinyl Roof and Two Tone Paint (23-23-31)
	8	6002 192	Fastener
	6	6002 320	Retainer
	6	9420 867	Nut
25	1	2933 804-5	MOULDING PACKAGE, Qtr. Outside Whl. Opng. (23-23-39)
	14	6024 271	Screw
26	2	2449 932	MEDALLION, Roof Side, w/Vinyl Roof (23-34-334)
	4	9420 263	Nut
27	1	2933 610-1	MOULDING PACKAGE, Qtr. Outside Belt (23-23-39)
	6	6002 782	Retainer and Seal
	4	6027 459	Screw
28	1	2933 802-3	MOULDING PACKAGE, Body Side Sill (23-23-2)
	16	6002 601	Retainer
	26	6024 271	Screw
	2	6028 057	Screw
29	2	2933 794	MOULDING PACKAGE, Door Outside (23-23-32)
	3	6002 602	Retainer
	2	6002 604	Retainer
	2	6026 523	Nut

CONTINUED ON NEXT PAGE

All Packages Include Attaching Parts
Part Type Code is Indicated in Parentheses

1969 PASSENGER CAR PARTS CATALOG

BODY

REF. NO.	QTY	PART NUMBER	DESCRIPTION
29	2	3514 118	MOULDING PACKAGE, Door
Cont'd			Outside, "Black" (23-23-32)
	2	3514 119	"Blue"
	2	3514 120	"Green"
	2	3514 121	"Red"
	4	6002 983	Retainer
	4	6026 523	Nut
	8	6002 981	Retainer
	8	6024 271	Screw

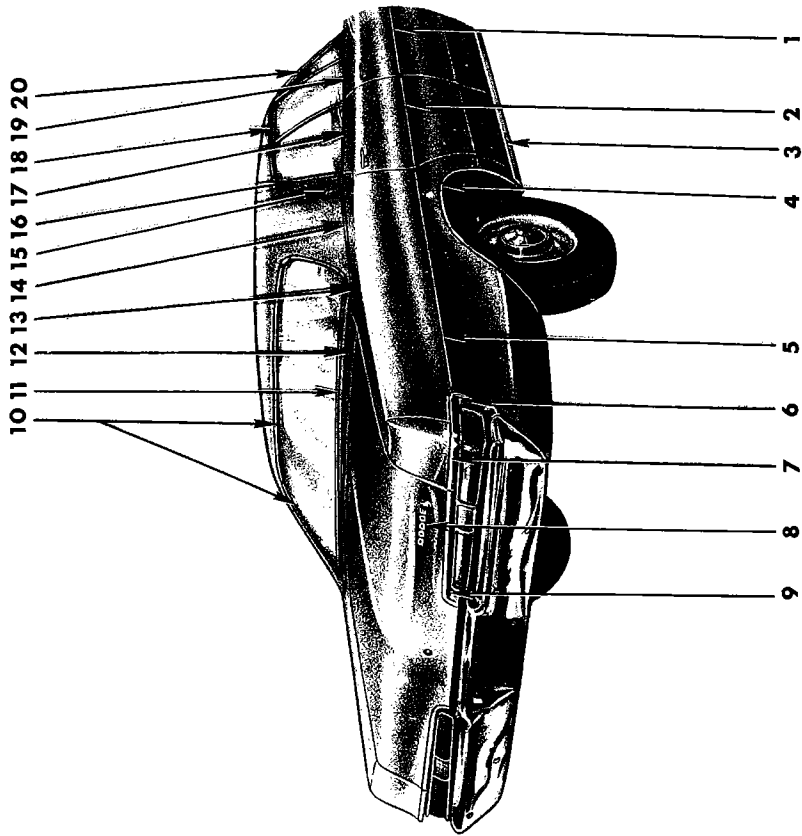
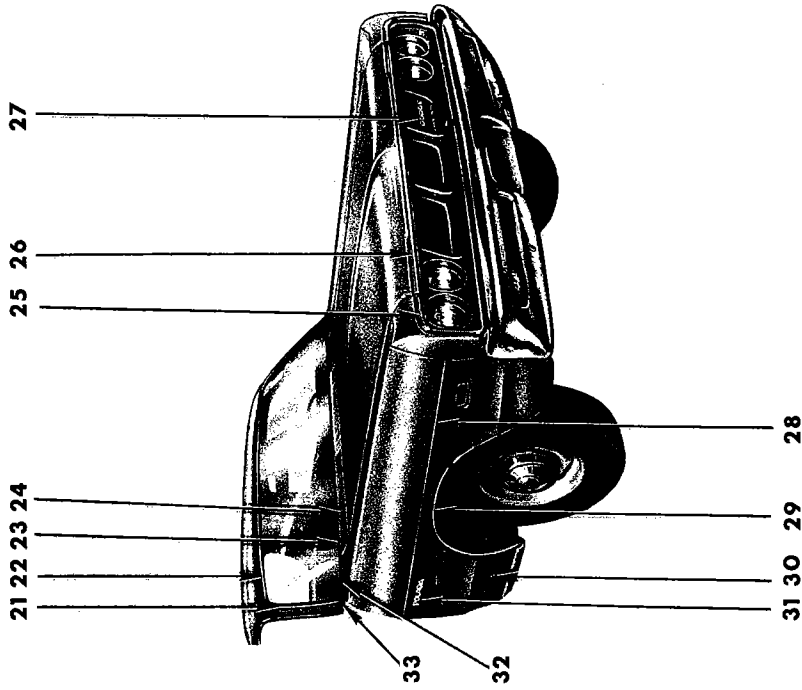
REF. NO.	QTY	PART NUMBER	DESCRIPTION
30	1	3419 482-3	MOULDING PACKAGE, Body
			Frnt. Lwr. Pillar (23-23-14)
	2	6024 271	Screw, w/Seal

All Packages Include Attaching Parts

Part Type Code is Indicated in Parentheses

EXTERIOR VIEW - DODGE POLARA D-L 2 DOOR HARDTOP

19a2525A



EXTERIOR VIEW - DODGE POLARA D-L 4 DOOR HARDTOP

REF. NO.	QTY	PART NUMBER	DESCRIPTION	REF. NO.	QTY	PART NUMBER	DESCRIPTION
1	2	2933 795	MOULDING PACKAGE, Frt. Door Outside (23-23-32)	8	1	2898 866	NAME PLATE PACKAGE, Deck Lid Outside, "Dodge" (23-19-114)
	3	6002 602	Retainer		3	6000 050	Clip
	2	6002 604	Retainer	9	1	2933 552-3	MOULDING PACKAGE, Deck Lid (23-23-30)
	2	6026 523	Nut		3	6002 630	Retainer
	2	3514 090	MOULDING PACKAGE, Frt. Door Outside, "Black" (23-23-32)		8	6026 523	Nut
	2	3514 091	"Blue"	10	1	2933 492-3	MOULDING PACKAGE, Rear Wdo. Outside, Side and Upr. (23-23-52)
	2	3514 092	"Green"		14	6002 686	Retainer
	2	3514 093	"Red"	11	1	3419 306-7	MOULDING PACKAGE, Rear Wdo. Outside, Lwr. (23-23-52)
	2	6002 983	Retainer		10	6002 686	Retainer
	2	6026 523	Nut	12	1	2933 608-9	MOULDING PACKAGE, Deck Opng. Upr. Pnl., Use w/Vinyl Roof and Two Tone Paint (23-23-31)
	3	6002 981	Retainer		8	6002 192	Fastener
	3	6024 271	Screw		8	6002 330	Retainer
2	1	2933 800-1	MOULDING PACKAGE, Rear Door Outside (23-23-33)		8	9420 867	Nut
	6	6002 602	Retainer	13	1	2933 606-7	MOULDING PACKAGE, Deck Opng. Upr. Pnl. Outer Corner (23-23-31)
	4	6002 604	Retainer		4	6025 985	Screw
	4	6026 523	Nut	14	1	2933 596-7	MOULDING PACKAGE, Qtr. Outside Belt, Use w/Vinyl Roof and Two Tone Paint (23-23-39)
	1	3514 094-5	MOULDING PACKAGE, Rear Door Outside, "Black" (23-23-33)		8	6002 192	Fastener
	1	3514 096-7	"Blue"		8	6002 320	Retainer
	1	3514 098-9	"Green"		8	9420 867	Nut
	1	3514 100-1	"Red"	15	2	2449 932	MEDALLION, Roof Side, w/Vinyl Roof (23-34-334)
	2	6002 983	Retainer		4	9420 263	Nut
	2	6026 523	Nut	16	1	2933 588-9	MOULDING PACKAGE, Roof Side Drain Trough, Rear (23-59-61)
	3	6002 981	Retainer		4	6027 459	Screw
	3	6024 271	Screw	17	1	2933 912-3	MOULDING PACKAGE, Rear Door Outside Belt (23-23-33)
3	1	2933 802-3	MOULDING PACKAGE, Body Side Sill (23-23-2)		8	6002 782	Retainer
	16	6002 601	Retainer	18	1	#3419 356-7	MOULDING PACKAGE, Roof Side Drain Trough, Frt. (23-59-61)
	26	6024 271	Screw		4	6024 659	Screw
	2	6028 057	Screw	19	1	2933 764-5	MOULDING PACKAGE, Frt. Door Outside Belt (23-23-32)
4	1	2933 804-5	MOULDING PACKAGE, Qtr. Outside Whl. Opng., use w/Sill Mldg. (23-23-39)		10	6002 782	Retainer and Seal
	14	6024 271	Screw	20	1	2933 598-9	MOULDING PACKAGE, Body Frt. Pillar Drain Trough (23-59-61)
5	1	2933 798-9	MOULDING PACKAGE, Qtr. Outside (23-23-39)		6	6027 459	Screw
	6	6002 602	Retainer	21	1	2933 966-7	MOULDING PACKAGE, Windshield Outside, Side (23-23-65)
	8	6002 745	Retainer		6	2900 275	Spacer
	8	6024 152	Nut		6	6002 688	Screw
	1	3514 102-3	MOULDING PACKAGE, Qtr. Outside Pnl., "Black" (23-23-39)	22	1	2893 077	MOULDING, Windshield Outside, Upr. (23-23-65)
	1	3514 104-5	"Blue"		7	6002 688	Retainer
	1	3514 106-7	"Green"				
	1	3514 108-9	"Red"				
	2	6002 983	Retainer				
	2	6026 523	Nut				
	12	6002 981	Retainer				
	12	6024 271	Screw				
6	1	3419 100-7	MOULDING PACKAGE, Qtr. Outside Tail Lamp Opng. (23-23-39)				
	6	6024 271	Screw				
7	1	2933 904-5	MOULDING PACKAGE, Qtr. Outside End Ext. (23-23-39)				
	6	6023 898	Screw				

CONTINUED ON NEXT PAGE

All Packages Include Attaching Parts

Part Type Code is Indicated in Parentheses

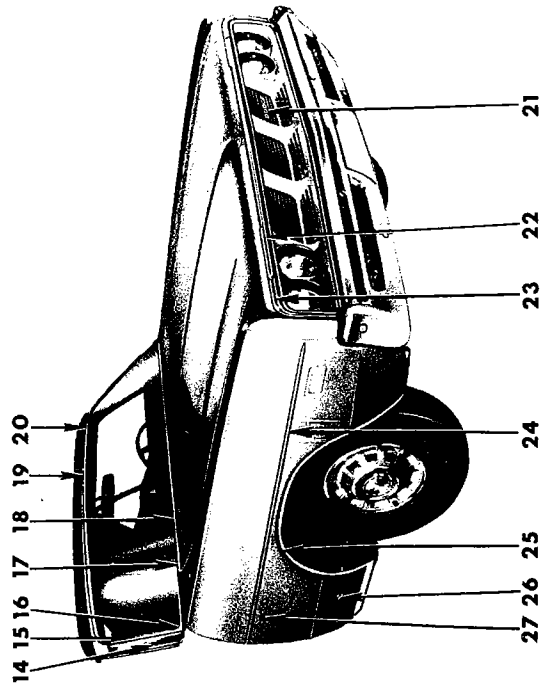
EXTERIOR VIEW - DODGE POLARA D-L 4 DOOR HARDTOP

REF. NO.	QTY	PART NUMBER	DESCRIPTION
23	1	2933 963	MOULDING PACKAGE, Windshield Outside, Lwr. (23-23-65)
	1	3419 448	MOULDING PACKAGE, Windshield Outside Lwr.Ctr. and Ends, After Type(23-23-65)
	5	9418 246	Screw
24	1	2898 711	MOULDING, Hood Top Rear (15-25-2)
25	1	2898 832-3	MOULDING, Fender Hood Frt. Extension (12-15-2)
	8	6027 999	Screw
26	1	2933 254	MOULDING PACKAGE, Hood Front, w/o Name Letters (15-25-2)
	8	9418 246	Screw
	1	3481 837	MOULDING PACKAGE, Hood Front, w/Name Letters
	6	116 000	Nut
27	1	2898 644	NAME PLATE, Radiator Grille (7-16-61)
	2	9420 224	Nut
28	2	2933 532	MOULDING PACKAGE, Fender Side (12-15-2)
	2	441 239	Nut
	2	6026 523	Nut
	2	6002 745	Retainer
	2	6002 604	Retainer
	6	6002 602	Retainer
	2	3514 086	MOULDING PACKAGE, Fender Side, "Black" (12-15-2)
	2	3514 087	"Blue"
	2	3514 088	"Green"
	2	3514 089	"Red"
	2	6026 523	Nut
	6	6002 981	Retainer
	2	6002 983	Retainer
	6	6024 271	Screw

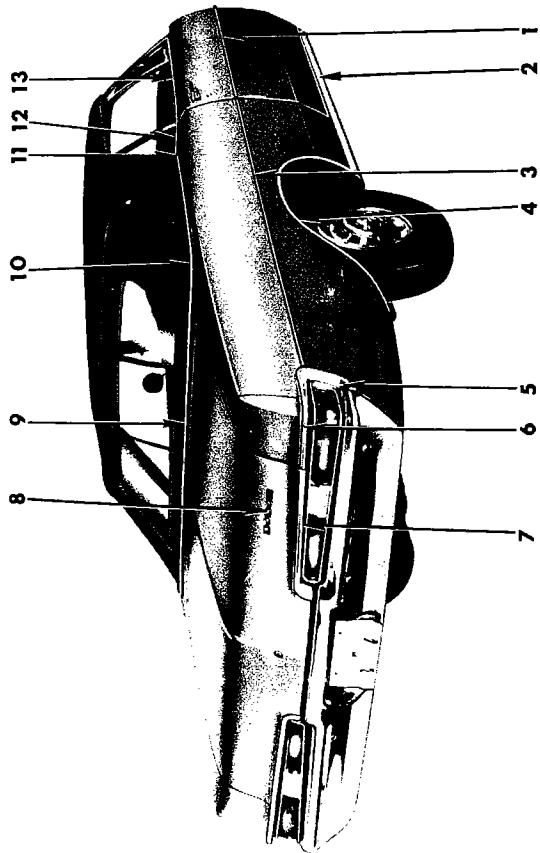
REF. NO.	QTY	PART NUMBER	DESCRIPTION
29	1	2933 266-7	MOULDING PACKAGE, Fender Wheel Opng., use w/Sill Mldg. (12-15-2)
	7	6024 271	Screw
30	1	2785 540	MEDALLION, Fender Side (12-15-21)
	1	6026 404	Nut
31	2	2902 300	NAME PLATE, Fender Side (12-15-21)
	6	6000 050	Clip
32	1	3439 034-5	MOULDING, Windshield Lwr. End (23-23-65)
	2	6024 271	Screw, w/Seal
33	1	3419 482-3	MOULDING PACKAGE, Body Frt. Lwr. Pillar (23-23-14)
	2	6024 271	Screw, w/Seal

All Packages Include Attaching Parts

Part Type Code is Indicated in Parentheses



19a2703



EXTERIOR VIEW - DODGE POLARA D-L CONVERTIBLE COUPE

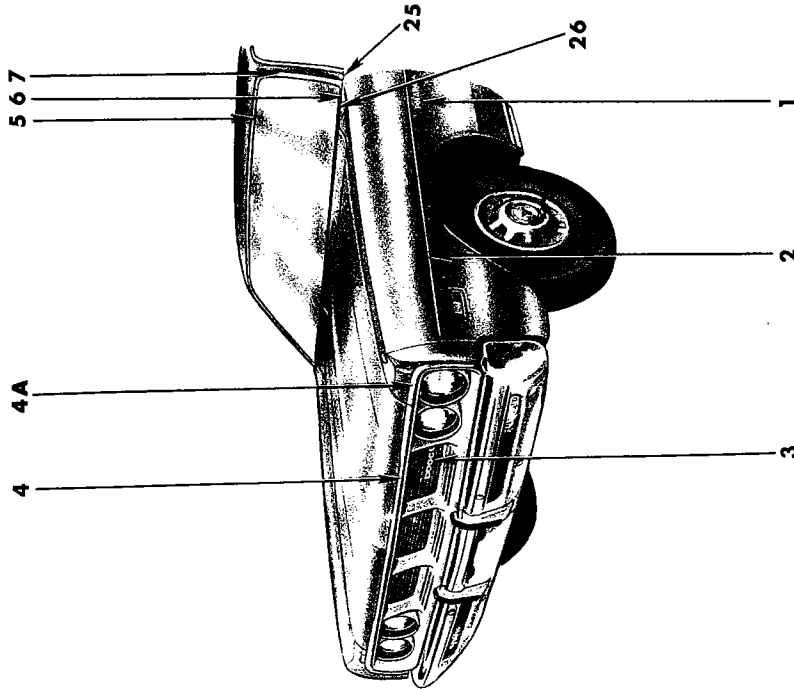
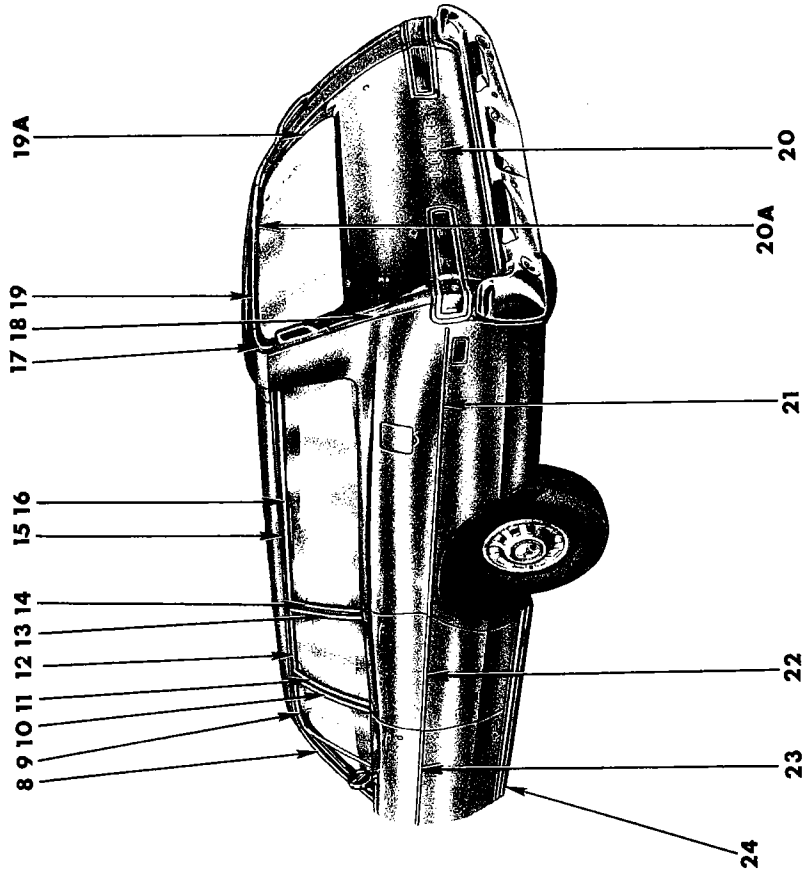
REF. NO.	QTY	PART NUMBER	DESCRIPTION	REF. NO.	QTY	PART NUMBER	DESCRIPTION
1	2	2933 794	MOULDING PACKAGE, Door Outside (23-23-32)	12	1	2933 754-5	MOULDING PACKAGE, Qtr. Outside Belt, Frt. (23-23-39)
	3	6002 602	Retainer		6	6002 782	Retainer & Seal
	2	6002 604	Retainer	13	1	2933 722-3	MOULDING PACKAGE, Door Outside Belt (23-23-32)
	2	6026 523	Nut		10	6002 782	Retainer & Seal
	2	3514 118	MOULDING PACKAGE, Door Outside, "Black" (23-23-32)	14	1	2901 018-9	MOULDING, Body Frt. Upr. Pillar Outside (23-23-14)
	2	3514 119	"Blue"	15	1	2933 966-7	MOULDING PACKAGE, Wind- shield Outside, Side (23-23-65)
	2	3514 120	"Green"		6	6002 688	Screw
	2	3514 121	"Red"		6	2900 275	Spacer
	4	6002 983	Retainer	16	1	3439 034-5	MOULDING, Windshield Lwr. End (23-23-65)
	4	6026 523	Nut		2	6024 271	Screw w/Seal
	8	6002 981	Retainer	17	1	2898 711	MOULDING, Hood Top Rear (15-25-2)
	8	6024 271	Screw	18	1	2933 963	MOULDING PACKAGE, Wind- shield Outside, Lwr., UP TO Type (23-23-65)
2	1	2933 802-3	MOULDING PACKAGE, Body Side Sill (23-23-2)		5	9418 246	Screw
	16	6002 601	Retainer		1	3419 448	MOULDING PACKAGE, Wind- shield Outside, Lwr. & Ends, AFTER Type (23-23-65)
	26	6024 271	Screw	19	1	2902 536-7	MOULDING, Windshield Outside, Upr. Header (23-23-65)
	2	6028 057	Screw		7	6025 792	Screw
3	1	2933 796-7	MOULDING PACKAGE, Qtr. Outside (23-23-39)	20	1	2893 077	MOULDING, Windshield Outside, Upr. (23-23-65)
	12	6002 602	Retainer		7	6002 688	Retainer
	8	6002 745	Retainer	21	1	2898 644	NAME PLATE, Radiator Grille (7-16-61)
	8	6024 152	Nut	22	1	2933 254	MOULDING PACKAGE, Hood Front, w/o Name Letters (15-25-2)
	2	3514 122	MOULDING PACKAGE, Qtr. Panel Outside, "Black" (23-23-39)		8	9418 246	Screw
	2	3514 123	"Blue"		1	3481 837	MOULDING PACKAGE, Hood Front, w/Name Letters
	2	3514 124	"Green"	23	1	2898 832-3	MOULDING, Fender Hood Frt. Extension (12-15-2)
	2	3514 125	"Red"		8	6027 999	Screw
	2	6002 983	Retainer	24	2	2933 532	MOULDING PACKAGE, Fender Side (12-15-2)
	2	6026 523	Nut		1	6026 523	Nut
	9	6002 981	Retainer		1	6002 745	Retainer
	9	6024 271	Screw		1	6002 604	Retainer
4	1	2933 804-5	MOULDING PACKAGE, Qtr. Outside Wheel Opening (23-23-39)		6	6002 602	Retainer
	14	6024 271	Screw		2	3514 086	MOULDING PACKAGE, Fender Side, "Black" (12-15-2)
5	1	3419 106-7	MOULDING PACKAGE, Qtr. Outside Tail Lamp Opng. (23-23-39)		2	3514 087	"Blue"
	6	6024 271	Screw		2	3514 088	"Green"
6	1	2933 904-5	MOULDING PACKAGE, Qtr. Outside End Extension (23-23-39)		2	3514 089	"Red"
	6	6023 898	Screw		4	6026 523	Nut
7	1	2933 552-3	MOULDING PACKAGE, Deck Lid (23-23-30)		4	6002 983	Retainer
	3	6002 630	Retainer		12	6002 981	Retainer
	8	6026 523	Nut	25	1	2933 266-7	MOULDING PACKAGE, Fender Wheel Opening (12-15-2)
8	1	2898 866	NAME PLATE, Deck Lid Outside, "Dodge" (23-19-114)		14	6027 413	Screw
	3	6000 050	Clip	26	1	2785 540	MEDALLION, Fender (Pentastar) (12-15-21)
9	1	2901 178	COVER, Qtr. Outside Belt Rear Mldg. Joint (23-23-41)		1	6026 404	Nut
10	1	2933 876-7	MOULDING PACKAGE, Qtr. Outside Belt, Rr. (23-23-39)	27	2	2902 300	NAME PLATE, Fender Side (Poiara) (12-15-21)
	24	9428 576	Screw		6	6000 050	Clip
11	1	2933 874-5	MOULDING PACKAGE, Qtr. Outside Belt, Interm. (23-23-39)				
	2	9420 928	Screw				

All Packages Include Attaching Parts

Part Type Code is Indicated in Parentheses

EXTERIOR VIEW - DODGE POLARA D-L CONVERTIBLE COUPE

19a2507B



EXTERIOR VIEW - DODGE POLARA D-L STATION WAGON

REF. NO.	QTY	PART NUMBER	DESCRIPTION
1	2	2902 300	NAME PLATE, Fender Side (12-15-21)
	6	6000 050	Clip
2	2	2933 532	MOULDING PACKAGE, Fender Side (12-15-2)
	2	6002 745	Retainer
	2	6002 604	Retainer 2 441 239 Nut
12	6002 602	Retainer 2 6026 523 Nut	
2	3514 086	MOULDING PACKAGE, Fender Side, "Black" (12-15-2)	
	2	3514 087	"Blue"
	2	3514 088	"Green"
	2	3514 089	"Red"
	4	6002 983	Retainer
12	6002 981	Retainer 4 6026 523 Nut	
3	1	2898 644	NAME PLATE, Radiator Grille (7-16-61)
	2	9420 224	Nut
4	1	2933 254	MOULDING PACKAGE, Hood Front, w/o Name Letters (15-25-2)
	8	9418 246	Screw
	1	3481 837	MOULDING PACKAGE, Hood Front, w/Name Letters
	6	116 000	Nut
4A	1	2898 832	MOULDING, Fender Hood Frt. Extension (12-15-2)
	8	6027 999	Screw
5	1	2893 077	MOULDING, Windshield Outside Upr. (23-23-65)
	7	6002 688	Retainer
6	1	2933 963	MOULDING PACKAGE, Windshield O/Side, Lwr. (23-23-65)
	1	3419 448	MOULDING PACKAGE, Windshield Outside Lwr. Ctr. and Ends, After Type (23-23-65)
	5	9418 246	Screw
7	1	2933 964-5	MOULDING PACKAGE, Windshield Outside, Side (23-23-65)
	6	2900 275	Spacer
	6	6002 688	Screw
8	1	2933 592-3	MOULDING PACKAGE, Body Frt. Pillar Drain Trough (23-59-61)
	10	6027 459	Screw
9	1	2893 698-9	MOULDING, Frt. Door Wdo. Opng. Frame, Upr. (23-23-32)
10	1	2893 700-1	MOULDING, Frt. Door Wdo. Opng. Frame, Rr. (23-23-32)
11	1	2893 700	MOULDING, Rear Door Wdo. Opng. Frame, Frt., Lt. (23-23-33)
	1	2893 701	MOULDING, Rear Door Wdo. Opng. Frame, Frt., Rt. (23-23-33)
12	1	2893 724-5	MOULDING, Rear Door Wdo. Opng. Frame, Upr. (23-23-33)
13	1	2893 728-9	MOULDING, Rear Door Wdo. Opng. Frame, Rr. (23-23-33)
14	1	2893 256-7	MOULDING, Qtr. Wdo. Outside, Frt., Prime (23-23-73)
	1	2894 870-1	MOULDING, Qtr. Wdo. Outside, Frt., Special Equip.

All Packages Include Attaching Parts

REF. NO.	QTY	PART NUMBER	DESCRIPTION
15	1	2902 390-1	MOULDING, Roof Side Drain Trough (23-59-61)
16	1	2893 258-9	MOULDING, Qtr. Wdo. Outside, Upr., Prime (23-23-73)
	1	2894 872-3	MOULDING, Qtr. Wdo. Outside, Upr., Special Equip.
17	1	2894 416-7	MOULDING, Roof Rear Air Deflector, End (23-23-60)
18	1	2933 618-9	MOULDING PACKAGE, Qtr. Pnl. Outside Tailgate Plr. Upr., Short, w/Assist Handles, UP TO Type (23-23-60)
	4	6002 665	Spacer
	1	2933 622-3	MOULDING PACKAGE, Qtr. Pnl. Outside Tailgate Plr., w/o Assist Handles, approx. 29 1/4" long, UP TO Type (23-23-60)
	8	6002 665	Spacer
	1	3440 778-9	MOULDING, Qtr. Pnl. Outside Tailgate Plr., Upr., w/o Assist Handles, approx. 30 1/4" long, AFTER Type (23-23-60)
	1	3440 736-7	MOULDING, Qtr. Pnl. Outside Tailgate Plr., Upr., w/Assist Handles, AFTER Type (23-23-60)
19	1	2894 418	MOULDING, Roof Rear Air Deflector, Center (23-23-60)
19A	1	2894 442-3	MOULDING, Qtr. Pnl. Outside Tailgate Pillar Upr. Tailgate Opng., Prime (23-23-60)
20	2	2964 732	LETTER "D", Tailgate Name (23-54-11)
	1	2964 733	"O"
	1	2964 734	"G"
	1	2964 735	"E"
	10	6000 050	Clip
20A	1	2894 445	MOULDING, Roof Pnl. Outside Tailgate Opng. Upr., Prime (23-23-60)
21	1	2933 826-7	MOULDING PACKAGE, Qtr. Outside (23-23-39)
	16	6002 602	Retainer
	1	3514 110-1	MOULDING PACKAGE, Qtr. Pnl. Outside, "Black" (23-23-39)
	1	3514 112-3	"Blue"
	1	3514 114-5	"Green"
	1	3514 116-7	"Red"
	1	6002 983	Retainer
	1	6026 523	Nut
	8	6002 981	Retainer
	8	6024 271	Screw

CONTINUED ON NEXT PAGE

Part Type Code is Indicated in Parentheses

EXTERIOR VIEW - DODGE POLARA D-L STATION WAGON

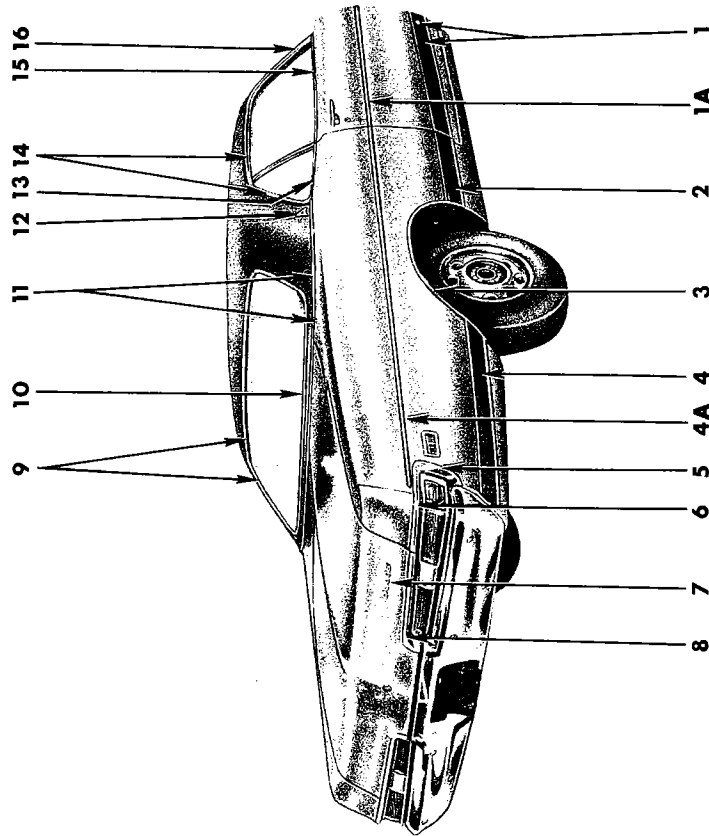
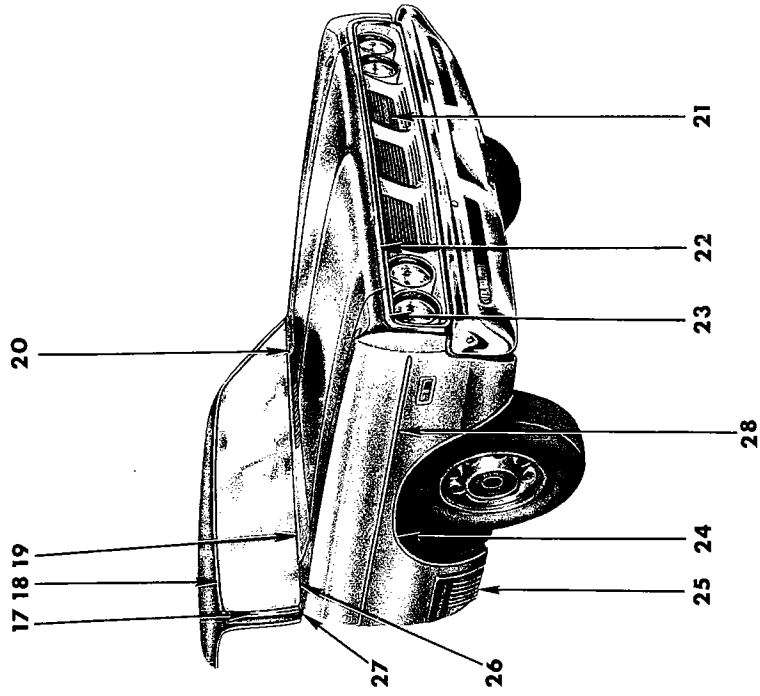
REF. NO.	QTY	PART NUMBER	DESCRIPTION
22	1	2933 800-1	MOULDING PACKAGE, Rear Door Outside (23-23-33)
	6	6002 602	Retainer
	4	6002 604	Retainer
	4	6026 523	Nut
	1	3514 094-5	MOULDING PACKAGE, Rear Door Outside, "Black" (23-23-33)
	1	3514 096-7	"Blue"
	1	3514 098-9	"Green"
	1	3514 100-1	"Red"
	2	6002 983	Retainer
	2	6026 523	Nut
	3	6002 981	Retainer
	3	6024 271	Screw
23	2	2933 795	MOULDING PACKAGE, Frt. Door Outside (23-23-32)
	3	6002 602	Retainer
	2	6002 604	Retainer
	2	6026 523	Nut
	2	3514 090	MOULDING PACKAGE, Frt. Door Outside, "Black" (23-23-32)
	2	3514 091	"Blue"
	2	3514 092	"Green"
	2	3514 093	"Red"
	2	6002 983	Retainer
	2	6026 523	Nut
	3	6002 981	Retainer
	3	6024 271	Screw

REF. NO.	QTY	PART NUMBER	DESCRIPTION
24	1	3419 830-1	MOULDING PACKAGE, Body Side Sill (23-23-2)
	14	6002 445	Retainer, w/Seal
	4	6028 513	Screw
25	1	3419 482-3	MOULDING PACKAGE, Body Frt. Lwr. Pillar (23-23-14)
	2	6024 271	Screw, w/Seal
26	1	3439 034-5	MOULDING, Windshield Lwr. End (23-23-65)
	2	6024 271	Screw, w/Seal

All Packages Include Attaching Parts

Part Type Code is Indicated in Parentheses

19a2407A



EXTERIOR VIEW - DODGE POLARA 500 D-M 2 DOOR HARDTOP

REF. NO.	QTY	PART NUMBER	DESCRIPTION
1	1	2933 808	MOULDING PACKAGE, Door Outside and Pentastar, Rt. (23-23-32)
	1	2933 809	MOULDING PACKAGE, Door Outside, Lt. (23-23-32)
	2	6002 776	Retainer
12		6002 777	Retainer
12		6024 271	Screw
4		6026 523	Nut
1		2785 540	PENTASTAR, Door Outside Mldg. (23-11-21)
1A	2	3514 118	MOULDING PACKAGE, Door Outside, "Black" (23-23-32)
	2	3514 119	"Blue"
	2	3514 120	"Green"
	2	3514 121	"Red"
	4	6002 983	Retainer
	4	6026 523	Nut
	8	6002 981	Retainer
	8	6024 271	Screw
2	1	2933 810-1	MOULDING PACKAGE, Qtr. Outside, Frt. (23-23-35)
	8	6002 777	Retainer
3	1	2933 806-7	MOULDING PACKAGE, Qtr. Outside Wheel Opening (23-23-39)
	14	6024 271	Screw
4	1	2933 812-3	MOULDING PACKAGE, Qtr. Outside, Rr. (23-23-39)
	10	6002 777	Retainer
4A	2	3514 122	MOULDING PACKAGE, Qtr. Panel Outside, "Black" (23-23-39)
	2	3514 123	"Blue"
	2	3514 124	"Green"
	2	3514 125	"Red"
	2	6002 983	Retainer
	2	6026 523	Nut
	9	6002 981	Retainer
	9	6024 271	Screw
5	1	3419 106-7	MOULDING PACKAGE, Qtr. Outside Tail Lamp Opng. (23-23-39)
	6	6024 271	Screw
6	1	2933 904-5	MOULDING PACKAGE, Qtr. Outside End Extension (23-23-39)
	6	6023 898	Screw
7	1	2898 866	NAME PLATE, Deck Lid Outside, "Dodge" (23-19-114)
	3	6000 050	Clip
8	1	2933 552-3	MOULDING PACKAGE, Deck Lid (23-23-30)
	3	6002 630	Retainer
	8	6026 523	Nut
9	1	2933 544-5	MOULDING PACKAGE, Rr. Wdo. Opng., Upr. (23-23-52)
	12	6002 686	Retainer and Screw
10	1	2933 546-7	MOULDING PACKAGE, Rr. Wdo. Opng., Lwr. (23-23-52)
	12	6002 686	Retainer and Screw

All Packages Include Attaching Parts

REF. NO.	QTY	PART NUMBER	DESCRIPTION
11	1	2933 612-3	MOULDING PACKAGE, Deck Opng. Upr. Pnl., use w/Vinyl Roof and Two Tone Paint (23-23-31)
	8	6002 192	Fastener
	6	6002 320	Retainer
	6	9420 867	Nut
12	2	2449 932	MEDALLION, Roof Side (w/Vinyl Roof) (23-23-334)
	4	9420 263	Nut
13	1	2933 610-1	MOULDING PACKAGE, Qtr. Outside Belt (23-23-39)
	6	6002 782	Retainer and Seal
	4	6027 459	Screw
14	1	#3419 360-1	MOULDING PACKAGE, Roof Side Drain Trough, Frt. and Rear (23-59-61)
	4	6024 659	Screw
15	1	2933 722-3	MOULDING PACKAGE, Door Outside Belt (23-23-32)
	10	6002 782	Retainer and Seal
16	1	2933 604-5	MOULDING PACKAGE, Body Frt. Pillar Drain Trough (23-59-61)
	6	6027 459	Screw
17	1	2933 966-7	MOULDING PACKAGE, Windshield Outside, Side (23-23-65)
	6	2900 275	Spacer
	6	6002 688	Screw
18	1	2893 077	MOULDING, Windshield Outside, Upr. (23-23-65)
	7	6002 688	Retainer
19	1	2933 963	MOULDING PACKAGE, Windshield Outside, Lwr. (23-23-65)
	1	3419 448	MOULDING PACKAGE, Windshield Outside Lwr. Ctr. and Ends, After Type (23-23-65)
	5	9418 246	Screw
20	1	2898 857	MOULDING, Hood Top Rear (15-25-2)
21	1	2898 644	NAME PLATE, Radiator Grille (7-16-61)
	2	9420 224	Nut
22	1	2933 254	MOULDING PACKAGE, Hood Front, w/o Name Letters (15-25-2)
	8	9418 246	Screw
	1	3481 837	MOULDING PACKAGE, Hood Front, w/Name Letters
	6	116 000	Nut
23	1	2898 832-3	MOULDING, Fender Front Hood Extension (12-15-2)
	8	6027 999	Screw
24	1	2932 266-7	MOULDING PACKAGE, Fender Wheel Opening (12-15-2)
	14	6027 413	Screw

CONTINUED ON NEXT PAGE

Part Type Code is Indicated in Parentheses

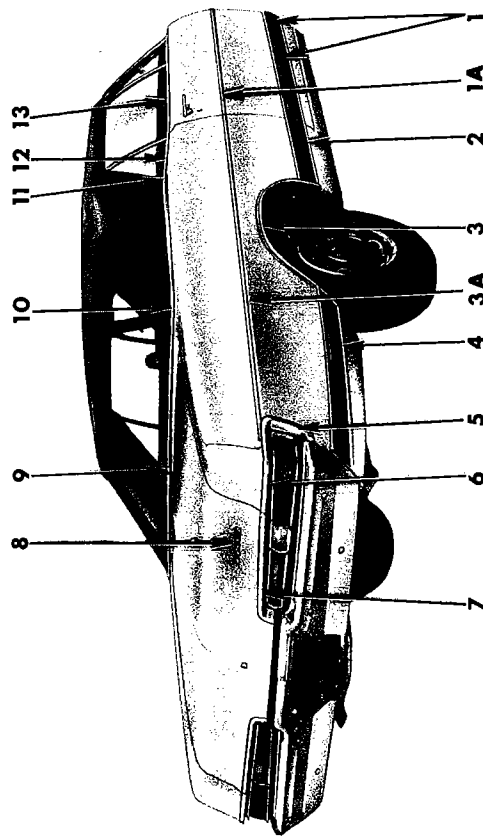
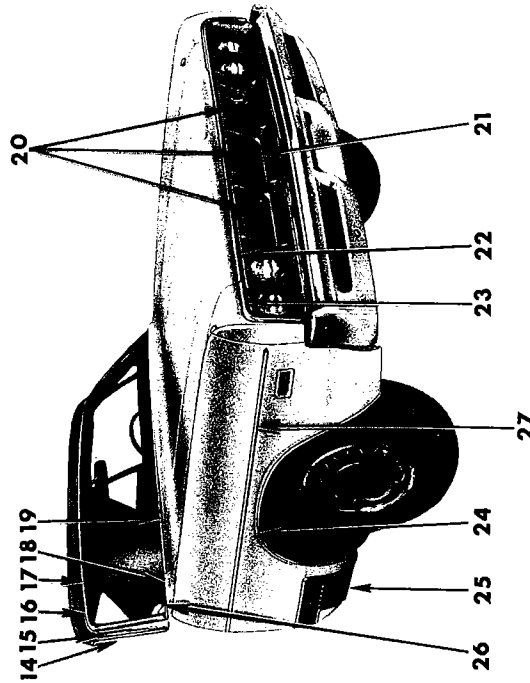
REF. NO.	QTY	PART NUMBER	DESCRIPTION
25	1	2933 534-5	MOULDING PACKAGE, Fender Lower Rear (12-15-2)
	10	6026 935	Nut
	10	6026 917	Screw
26	1	3439 034-5	MOULDING, Windshield Lwr. End (23-23-65)
	2	6024 271	Screw, w/Seal
27	1	3419 482-3	MOULDING PACKAGE, Body Frt. Lwr. Pillar (23-23-14)
	2	6024 271	Screw, w/Seal

REF. NO.	QTY	PART NUMBER	DESCRIPTION
28	2	3514 086	MOULDING PACKAGE, Fender Side, "Black" (12-15-2)
	2	3514 087	"Blue"
	2	3514 088	"Green"
	2	3514 089	"Red"
	4	6026 523	Nut
	4	6002 983	Retainer
	12	6002 981	Retainer

All Packages Include Attaching Parts

Part Type Code is Indicated in Parentheses

19a2548

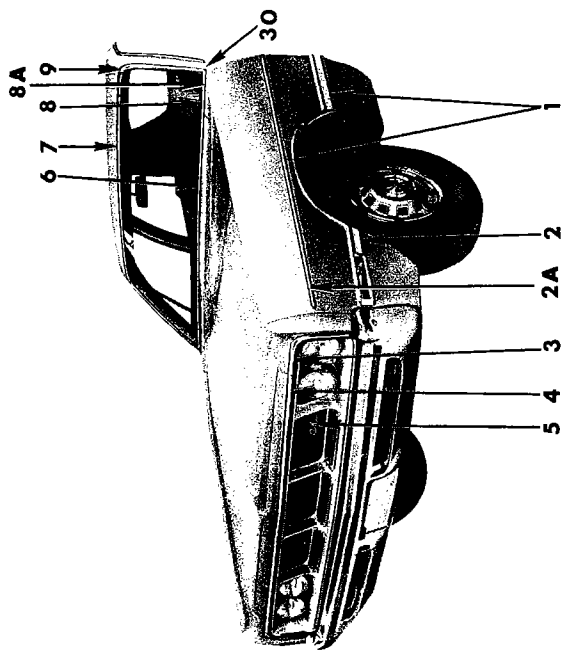
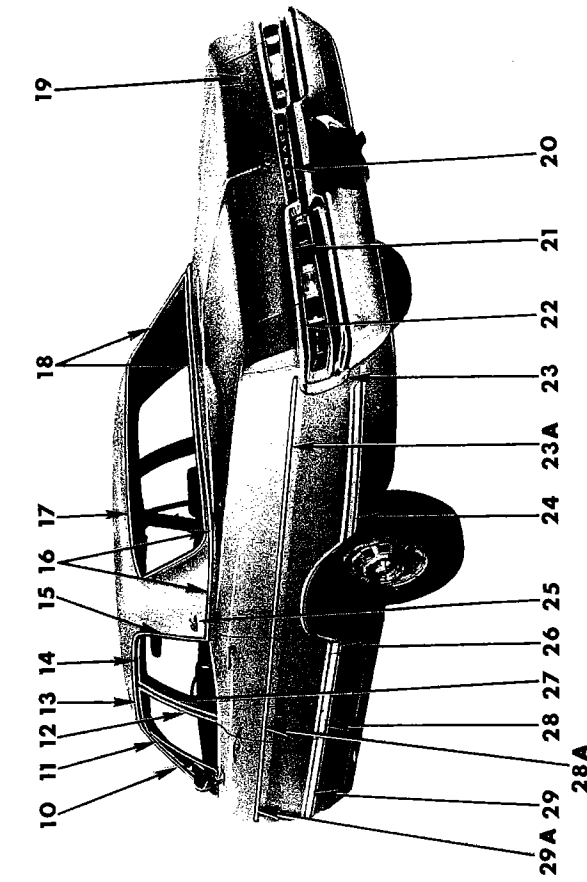


EXTERIOR VIEW - DODGE POLARA 500 D-M CONVERTIBLE COUPE

REF. NO.	QTY	PART NUMBER	DESCRIPTION	REF. NO.	QTY	PART NUMBER	DESCRIPTION
1	1	2933 808	MOULDING PACKAGE, Door Outside and Pentastar, Rt. (23-23-32)	12	1	2933 754-5	MOULDING PACKAGE, Qtr. Outside Belt, Frt. (23-23-39)
	1	2933 809	MOULDING PACKAGE, Door Outside, Lt. (23-23-32)		6	6002 782	Retainer and Seal
	1	6002 776	Retainer	13	1	2933 722-3	MOULDING PACKAGE, Door Outside Belt (23-23-32)
	6	6002 777	Retainer		10	6002 782	Retainer and Seal
	6	6024 271	Screw	14	1	2933 966-7	MOULDING PACKAGE, Windshield Outside, Side (23-23-65)
	2	6026 523	Nut		6	2900 275	Spacer
	1	2785 540	PENTASTAR, Door Outside Mldg. (23-11-21)		6	6002 688	Screw
1A	2	3514 118	MOULDING PACKAGE, Door Outside, "Black" (23-23-32)	15	1	2901 018-9	MOULDING, Body Frt. Upr. Pillar Outside (23-23-14)
	2	3514 119	"Blue"	16	1	2902 536-7	MOULDING, Windshield Outside Upr. Header (23-23-65)
	2	3514 120	"Green"		7	6025 792	Screw
	2	3514 121	"Red"	17	1	2893 077	MOULDING, Windshield Outside, Upr. (23-23-65)
	4	6002 983	Retainer		7	6002 688	Retainer
	4	6026 523	Nut	18	1	2933 963	MOULDING PACKAGE, Windshield Outside, Lower (23-23-65)
	8	6002 981	Retainer		1	3419 448	MOULDING PACKAGE, Windshield Outside Lwr. Ctr. and Ends, After Type (23-23-65)
	8	6024 271	Screw		5	9418 246	Screw
2	1	2933 810-1	MOULDING PACKAGE, Qtr. Outside, Frt. (23-23-39)	19	1	2898 857	MOULDING, Hood Top Rear (15-25-2)
	8	6002 777	Retainer	20	1	2898 446	MOULDING, Center Radiator Grille (7-16-36)
3	1	2933 806-7	MOULDING PACKAGE, Qtr. Outside Wheel Opening (23-23-39)		1	2898 444-5	MOULDING, Outer Radiator Grille (7-16-36)
	14	6024 271	Screw	21	1	2849 163	TEXTURE, Radiator Grille (7-17-13)
3A	2	3514 122	MOULDING PACKAGE, Qtr. Panel Outside, "Black" (23-23-39)	22	1	2933 254	MOULDING PACKAGE, Hood Front, w/o Name Letters (15-25-2)
	2	3514 123	"Blue"		8	9418 246	Screw
	2	3514 124	"Green"		1	3481 837	MOULDING PACKAGE, Hood Front, w/Name Letters
	2	3514 125	"Red"	23	1	2898 832-3	MOULDING, Fender Hood Frt. Extension (12-15-2)
	2	6002 983	Retainer		6	116 000	Nut
	2	6026 523	Nut	24	1	2933 266-7	MOULDING PACKAGE, Fender Wheel Opng. (12-15-2)
	9	6002 981	Retainer		14	6027 413	Screw
	9	6024 271	Screw	25	1	2933 534-5	MOULDING PACKAGE, Fender Rear (12-15-2)
4	1	2933 812-3	MOULDING PACKAGE, Qtr. Outside, Rr. (23-23-39)		10	6026 935	Nut
	10	6002 777	Retainer		10	6026 917	Screw
5	1	3419 106-7	MOULDING PACKAGE, Qtr. Outside Tail Lamp Opng. (23-23-39)	26	1	3439 034-5	MOULDING, Windshield Lwr. End (23-23-65)
	6	6024 271	Screw		2	6024 271	Screw, w/Seal
6	1	2933 904-5	MOULDING PACKAGE, Qtr. Outside End Extension (23-23-39)	27	2	3514 086	MOULDING PACKAGE, Fender Side, "Black" (12-15-2)
	6	6023 898	Screw		2	3514 087	"Blue"
7	1	2933 552-3	MOULDING PACKAGE, Deck Lid (23-23-30)		2	3514 088	"Green"
	3	6002 630	Retainer		2	3514 089	"Red"
	8	6026 523	Nut		4	6026 523	Nut
8	1	2898 866	NAME PLATE PACKAGE, Deck Lid, "Dodge" (23-19-114)		4	6002 983	Retainer
	3	6000 050	Clip		12	6002 981	Retainer
9	1	2901 178	COVER, Qtr. Outside Belt Rr. Mldg. Joint (23-23-41)		All Packages Include Attaching Parts		
10	1	2938 876-7	MOULDING PACKAGE, Qtr. Outside Belt, Rr. (23-23-39)		Part Type Code is Indicated in Parentheses		
	24	9428 576	Screw				
11	1	2933 874-5	MOULDING PACKAGE, Qtr. Outside Belt, Intermediate (23-23-39)				
	2	9420 928	Screw				

EXTERIOR VIEW - DODGE POLARA 500 D-M CONVERTIBLE COUPE

19a2515A



EXTERIOR VIEW - DODGE MONACO D-H 4 DOOR SEDAN

REF. NO.	QTY	PART NUMBER	DESCRIPTION
1	1	2933 542-3	MOULDING PACKAGE, Fender Rear Lwr. Rear and Wheel Opening (12-15-2)
	3	6002 625	Retainer
	10	6024 271	Screw
2	1	2933 536-7	MOULDING PACKAGE, Fender Lower Front (12-15-2)
	4	6023 202	Nut
	2	6027 413	Screw
	1	2933 538-9	MOULDING PACKAGE, Fender Lwr. Frt., w/o Cornering Lamps, Canada (12-15-2)
	2	6001 548	Retainer
	1	6024 271	Screw
2A	2	3514 086	MOULDING PACKAGE, Fender Side, "Black" (12-15-2)
	2	3514 087	"Blue"
	2	3514 088	"Green"
	2	3514 089	"Red"
	4	6002 983	Retainer
	12	6002 981	Retainer 4 6026 523 Nut
3	1	2898 832-3	MOULDING, Fender Hood Frt. Extension (12-15-2)
	8	6027 999	Screw
4	1	2933 254	MOULDING PACKAGE, Hood Front, w/o Name Letters (15-25-2)
	8	9418 246	Screw
	1	3481 837	MOULDING PACKAGE, Hood Front, w/Name Letters
	6	116 000	Nut
5	1	2898 645	NAME PLATE, Radiator Grille (7-16-61)
	3	6024 869	Nut
6	1	2898 857	MOULDING, Hood Top Rear (15-25-2)
7	1	2893 077	MOULDING, Windshield Outside, Upr. (23-23-65)
	7	6002 688	Retainer
8	1	2933 963	MOULDING PACKAGE, Windshield Outside, Lwr. (23-23-65)
	1	3419 448	MOULDING PACKAGE, Windshield Outside Lwr. Ctr. and Ends, After Type (23-23-65)
	5	9418 246	Screw
8A	1	3439 034-5	MOULDING, Windshield Lwr. End (23-23-65)
	2	6024 271	Screw, w/Seal
9	1	2933 964-5	MOULDING PACKAGE, Windshield Outside, Side (23-23-65)
	6	2900 275	Spacer
	6	6002 688	Screw
10	1	2933 592-3	MOULDING PACKAGE, Body Frt. Pillar Drain Trough (23-59-61)
	10	6027 459	Screw
11	1	2893 698-9	MOULDING, Frt. Door Wdo. Opng. Frame, Upr. (23-23-32)
12	1	2893 700-1	MOULDING, Frt. Door Wdo. Opng. Frame, Rr. (23-23-32)
13	1	#3419 354-5	MOULDING PACKAGE, Roof Side Drain Trough, Front (23-59-61)
	4	6024 659	Screw

All Packages Include Attaching Parts

REF. NO.	QTY	PART NUMBER	DESCRIPTION
14	1	2893 722-3	MOULDING, Rear Door Wdo. Opng. Frame, Upr. (23-23-33)
15	1	2933 586-7	MOULDING PACKAGE, Roof Side Drain Trough, Rear (23-59-61)
	6	6024 271	Screw
16	1	2933 594-5	MOULDING PACKAGE, Deck Opng. Upr. Pnl., use w/ Monaco Brougham Pkg. (23-23-31)
	10	6027 459	Screw
17	1	2933 496-7	MOULDING PACKAGE, Rear Wdo. Outside, Upr. (23-23-52)
	8	6002 686	Retainer
18	1	2933 494-5	MOULDING PACKAGE, Rear Wdo. Outside, Side and Lwr. (23-23-52)
	16	6002 686	Retainer
19	1	2963 658	NAME PLATE, Deck Lid Outside, "Dodge" (23-19-114)
	2	6000 050	Clip
20	1	2902 261	PANEL, Deck Lid Finish (23-23-30)
	4	6025 456	Washer
	4	9418 105	Nut
	2	6026 523	Nut
21	1	2933 552-3	MOULDING PACKAGE, Deck Lie (23-23-30)
	3	6002 630	Retainer
	8	6026 523	Nut
22	1	2933 904-5	MOULDING PACKAGE, Qtr. Outside End Ext. (23-23-39)
	6	6023 898	Screw
23	1	3419 106-7	MOULDING PACKAGE, Qtr. Outside Tail Lamp Opng. (23-23-39)
	6	6024 271	Screw
23A	1	3514 102-3	MOULDING PACKAGE, Qtr. Outside Panel, "Black" (23-23-39)
	1	3514 104-5	"Blue"
	1	3514 106-7	"Green"
	1	3514 108-9	"Red"
	2	6002 983	Retainer
	2	6026 523	Nut
	12	6002 981	Retainer
	12	6024 271	Screw
24	1	2933 822-3	MOULDING and T/PLATE PACKAGE, Qtr. Outside, Rear (23-23-39)
	8	6001 548	Retainer
	6	6002 769	Retainer
	8	116 000	Nut
25	2	2964 598	NAME PLATE, Roof Side Ext., Monaco (23-34-334)
	4	9420 263	Nut
26	1	2933 820-1	MOULDING and T/PLATE PACKAGE, Qtr. Outside, Frt. and Wheel Opng. (23-23-39)
	6	6002 769	Retainer and Seal
	16	6024 271	Screw

CONTINUED ON NEXT PAGE

Part Type Code is Indicated in Parentheses

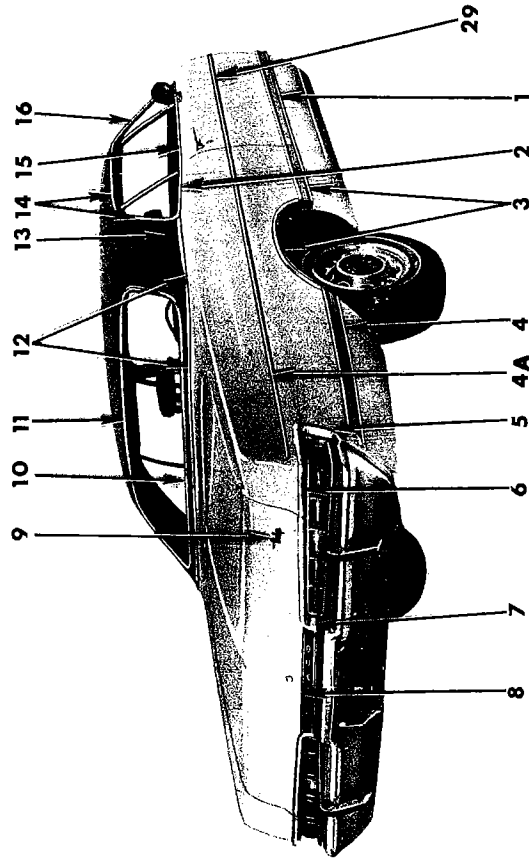
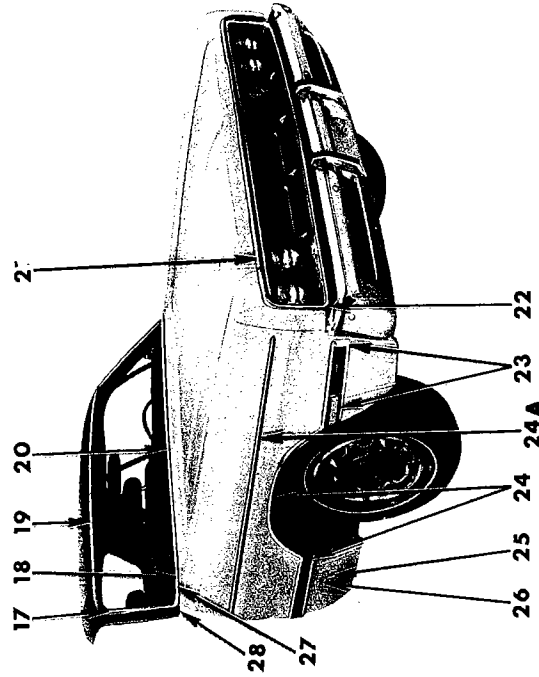
REF. NO.	QTY	PART NUMBER	DESCRIPTION
27	1	2893 700	MOULDING, Rear Door Wdo. Opng. Frame, Frt., Lt. (23-23-33)
	1	2893 701	MOULDING, Rear Door Wdo. Opng. Frame, Frt., Rt.
28	1	2933 824-5	MOULDING PACKAGE, Rear Door Outside (23-23-33)
	4	6002 625	Retainer
	4	6002 627	Retainer
	4	6024 271	Screw
	4	6026 523	Nut
28A	1	3514 094-5	MOULDING PACKAGE, Rear Door Outside, "Black" (23-23-33)
	1	3514 096-7	"Blue"
	1	3514 098-9	"Green"
	1	3514 100-1	"Red"
	2	6002 983	Retainer
	2	6026 523	Nut
	3	6002 981	Retainer
	3	6024 271	Screw

REF. NO.	QTY	PART NUMBER	DESCRIPTION
29	1	2933 816-7	MOULDING PACKAGE, Frt. Door Outside (23-23-32)
	10	6002 625	Retainer
	2	6002 627	Retainer
	10	6024 271	Screw
	2	6026 523	Nut
29A	2	3514 090	MOULDING PACKAGE, Frt. Door Outside, "Black" (23-23-32)
	2	3514 091	"Blue"
	2	3514 092	"Green"
	2	3514 093	"Red"
	2	6002 983	Retainer
	2	6026 523	Nut
	3	6002 981	Retainer
	3	6024 271	Screw
30	1	3419 482-3	MOULDING PACKAGE, Body Frt. Lwr. Pillar (23-23-14)
	2	6024 271	Screw, w/Seal

All Packages Include Attaching Parts

Part Type Code is Indicated in Parentheses

19a2539A



EXTERIOR VIEW - DODGE MONACO D-H 2 DOOR HARDTOP

REF. NO.	QTY	PART NUMBER	DESCRIPTION	REF. NO.	QTY	PART NUMBER	DESCRIPTION
1	1	2933 814-5	MOULDING PACKAGE, Door Outside (23-23-32)	13	2	2964 598	NAME PLATE, Roof Side Ext., "Monaco" (23-34-238)
	10	6002 625	Retainer		4	9420 263	Nut
	2	6002 627	Retainer	14	1	3419 360-1	MOULDING PACKAGE, Roof Side Drain Trough, Frt. and Rear (23-59-61)
	10	6024 271	Screw		4	6024 659	Screw
	2	6026 523	Nut	15	1	2933 722-3	MOULDING PACKAGE, Door Outside Belt (23-23-32)
2	1	2933 610-1	MOULDING PACKAGE, Qtr. Outside Belt (23-23-39)		10	6002 782	Retainer and Seal
	6	6002 782	Retainer and Seal	16	1	2933 604-5	MOULDING PACKAGE, Body Front Pillar Drain Trough (23-59-61)
	4	6027 459	Screw		6	6027 459	Screw
3	1	2933 818-9	MOULDING and T/PLATE PACKAGE, Qtr. Outside Frt. and Wheel Opng. (23-23-39)	17	1	2933 966-7	MOULDING PACKAGE, Windshield Outside, Side (23-23-65)
	4	116 000	Nut		6	2900 275	Spacer
	4	6001 548	Retainer		6	6002 688	Screw
	4	6002 625	Retainer	18	1	2933 963	MOULDING PACKAGE, Windshield Outside, Lwr. (23-23-65)
	18	6024 271	Screw		1	3419 448	MOULDING PACKAGE, Windshield Outside Lwr. Ctr. and Ends, After Type (23-23-65)
4	1	2933 822-3	MOULDING PACKAGE, Qtr. Outside, Rear (23-23-39)		5	9418 246	Screw
	8	6001 548	Retainer	19	1	2893 077	MOULDING, Windshield Outside, Upr. (23-23-65)
	6	6002 769	Retainer		7	6002 688	Retainer
	8	116 000	Nut	20	1	2898 857	MOULDING, Hood Top Rear (15-25-2)
4A	2	3514 122	MOULDING PACKAGE, Qtr. Panel Outside, "Black" (23-23-39)	21	1	2933 254	MOULDING PACKAGE, Hood Front, w/o Name Letters (15-25-2)
	2	3514 123	"Blue"		8	9418 246	Screw
	2	3514 124	"Green"		1	3481 837	MOULDING PACKAGE, Hood Front, w/Name Letters
	2	3514 125	"Red"		6	116 000	Nut
	2	6002 983	Retainer	22	1	2898 832-3	MOULDING, Fender Hood Front Ext. (12-15-2)
	2	6026 523	Nut		8	6027 999	Screw
	9	6002 981	Retainer	23	1	2933 536-7	MOULDING PACKAGE, Fender Lower Front (12-15-2)
	9	6024 271	Screw		4	6023 202	Nut
5	1	3419 106-7	MOULDING PACKAGE, Qtr. Outside Tail Lamp Opng. (23-23-39)		2	6027 413	Screw
	6	6024 271	Screw		1	2933 538-9	MOULDING PACKAGE, Fender Lwr. Frt., w/o Cornering Lamps, Canada (12-15-2)
6	1	2933 904-5	MOULDING PACKAGE, Qtr. Outside End Ext. (23-23-39)		2	6001 548	Retainer
	6	6023 898	Screw		1	6024 271	Screw
7	1	2933 552-3	MOULDING PACKAGE, Deck Lid (23-23-30)	24	1	2933 542-3	MOULDING PACKAGE, Fender Rear Lwr. & Whl. Opng. (12-15-2)
	3	6002 630	Retainer		3	6002 625	Retainer
	8	6026 523	Nut		10	6024 271	Screw
8	1	2902 261	PANEL, Deck Lid Finish (23-23-30)	24A	2	3514 086	MOULDING PACKAGE, Fender Side, "Black" (12-15-2)
	4	6025 456	Washer		2	3514 087	"Blue"
	4	9418 105	Nut		2	3514 088	"Green"
	2	6026 523	Nut		2	3514 089	"Red"
9	1	2963 658	NAME PLATE, Deck Lid Outside, "Dodge" (23-19-114)		4	6026 523	Nut
	2	6000 050	Clip		4	6002 983	Retainer
10	1	2933 546-7	MOULDING PACKAGE, Rear Wdo. Opng., Lwr. (23-23-52)		12	6002 981	Retainer
	12	6002 686	Retainer and Screw	25	1	2785 540	MEDALLION, Fender Side (12-15-21)
11	1	2933 544-5	MOULDING PACKAGE, Rear Wdo. Opng., Upr. (23-23-52)		1	6026 404	Nut
	12	6002 686	Retainer and Screw				
12	1	2933 612-3	MOULDING PACKAGE, Deck Opng. Upr. Pnl., use w/Vinyl Roof and Two Tone Paint (23-23-31)				
	8	6002 192	Fastener				
	6	6002 320	Retainer				
	6	9420 867	Nut				

CONTINUED ON NEXT PAGE

All Packages Include Attaching Parts

Part Type Code is Indicated in Parentheses

EXTERIOR VIEW - DODGE MONACO D-H 2 DOOR HARDTOP

1969 PASSENGER CAR PARTS CATALOG

BODY

REF. NO.	QTY	PART NUMBER	DESCRIPTION
26	2	2902 958	NUMERALS, Front Fender (12-15-21)
	4	6000 050	Clip
27	1	3439 034-5	MOULDING, Windshield Lwr. End (23-23-65)
	2	6024 271	Screw, w/Seal
28	1	3419 482-3	MOULDING PACKAGE, Body Frt. Lwr. Pillar (23-23-14)
	2	6024 271	Screw, w/Seal

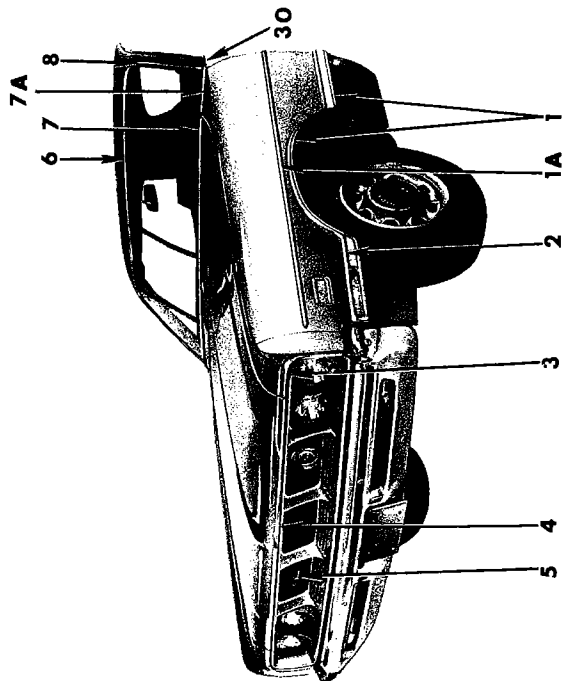
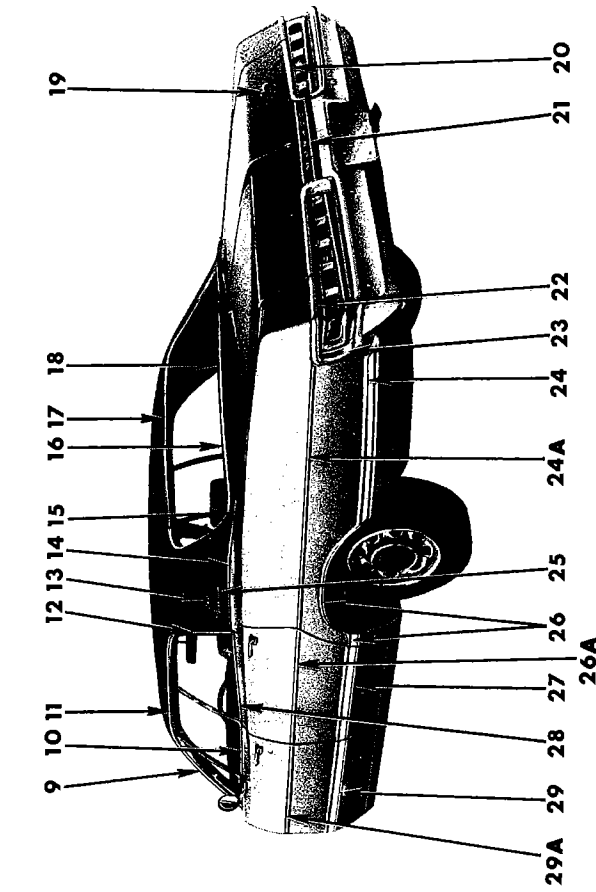
REF. NO.	QTY	PART NUMBER	DESCRIPTION
29	2	3514 118	MOULDING PACKAGE, Door Outside, "Black" (23-23-32)
	2	3514 119	"Blue"
	2	3514 120	"Green"
	2	3514 121	"Red"
	4	6002 983	Retainer
	4	6026 523	Nut
	8	6002 981	Retainer
	8	6024 271	Screw

All Packages Include Attaching Parts

Part Type Code is Indicated in Parentheses

EXTERIOR VIEW - DODGE MONACO D-H 2 DOOR HARDTOP

19a2472A



EXTERIOR VIEW - DODGE MONACO D-H 4 DOOR HARDTOP

1969 PASSENGER CAR PARTS CATALOG

Illus. Page 23-305

BODY

REF. NO.	QTY	PART NUMBER	DESCRIPTION	REF. NO.	QTY	PART NUMBER	DESCRIPTION
1	1	2933 542-3	MOULDING PACKAGE, Fender Rear Lower and Whl. Opng. (12-15-2)	13	2	2964 598	NAME PLATE, Roof Side Ext., Monaco (23-34-238)
	3	6002 625	Retainer		4	9420 263	Nut
	10	6024 271	Screw	14	1	2933 596-7	MOULDING PACKAGE, Qtr. Outside Belt, use w/Vinyl Roof and Two Tone Paint or Monaco Brougham Pkg. (23-23-39)
1A	2	3514 086	MOULDING PACKAGE, Fender Side, "Black" (12-15-2)		8	6002 192	Fastener
	2	3514 087	"Blue"		8	6002 320	Retainer
	2	3514 088	"Green"		8	9420 867	Nut
	2	3514 089	"Red"	15	1	2933 606-7	MOULDING PACKAGE, Deck Opng. Upr. Pnl. Outer Corner, use w/Vinyl Roof and Two Tone Paint or Monaco Brougham Pkg. (23-23-31)
	4	6002 983	Retainer		4	6025 985	Screw
	12	6002 981	Retainer 4 6026 523 Nut	16	1	2933 608-9	MOULDING PACKAGE, Deck Opng. Upr. Pnl., use w/Vinyl Roof and Two Tone Paint or Monaco Brougham Pkg. (23-23-31)
2	1	2933 536-7	MOULDING PACKAGE, Fender Lower Front (12-15-2)		8	6002 192	Fastener
	4	6023 202	Nut		8	6002 330	Retainer
	2	6027 413	Screw		8	9420 867	Nut
	1	2933 538-9	MOULDING PACKAGE, Fender Lwr. Frt., w/o Cornering Lamps, Canada (12-15-2)	17	1	2933 492-3	MOULDING PACKAGE, Rear Wdo. Outside, Side and Upr. (23-23-52)
	2	6001 548	Retainer		14	6002 686	Retainer
	1	6024 271	Screw	18	1	3419 306-7	MOULDING, Rear Wdo. Outside, Lwr. (23-23-52)
3	1	2898 832-3	MOULDING, Fender Hood Frt. Extension (12-15-2)		10	6002 686	Retainer
	8	6027 999	Screw	19	1	2963 658	NAME PLATE, Deck Lid Outside, "Dodge" (23-19-114)
4	1	2933 254	MOULDING PACKAGE, Hood Front, w/o Name Letters (15-25-2)		2	6000 050	Clip
	8	9418 246	Screw	20	1	2933 552-3	MOULDING PACKAGE, Deck Lid (23-23-30)
	1	3481 837	MOULDING PACKAGE, Hood Front, w/Name Letter		3	6002 630	Retainer
	6	116 000	Nut		8	6026 523	Nut
5	1	2898 645	NAME PLATE, Radiator Grille (7-16-61)	21	1	2902 261	PANEL, Deck Lid Finish (23-23-30)
	3	6024 869	Nut		4	6025 456	Washer
6	1	2893 077	MOULDING, Windshield Outside, Upr. (23-23-65)		2	6026 523	Nut
	7	6002 698	Retainer		4	9418 105	Nut
7	1	2933 963	MOULDING PACKAGE, Windshield Outside, Lwr. (23-23-65)	22	1	2933 904-5	MOULDING PACKAGE, Qtr. Outside End Ext. (23-23-39)
	1	3419 448	MOULDING PACKAGE, Windshield Outside Lwr. Ctr. and Ends, After Type (23-23-65)		6	6023 898	Screw
	5	9418 246	Screw	23	1	3419 106-7	MOULDING PACKAGE, Qtr. Outside Tail Lamp Opng. (23-23-39)
7A	1	3439 034-5	MOULDING, Windshield Lwr. End (23-23-65)		6	6024 271	Screw
	2	6024 271	Screw, w/Seal	24	1	2933 822-3	MOULDING PACKAGE, Qtr. Outside, Rr. (23-23-39)
8	1	2933 966-7	MOULDING PACKAGE, Windshield Outside, Side (23-23-65)		8	6001 548	Retainer
	6	2900 275	Spacer		6	6002 769	Retainer
	6	6002 688	Screw		8	116 000	Nut
9	1	2933 598-9	MOULDING PACKAGE, Body Frt. Pillar Drain Trough (23-59-61)	24A	1	3514 102-3	MOULDING PACKAGE, Qtr. Outside, "Black" (23-23-39)
	6	6027 459	Screw		1	3514 104-5	"Blue"
10	1	2933 724-5	MOULDING PACKAGE, Frt. Door Outside Belt (23-23-32)		1	3514 106-7	"Green"
	10	6002 782	Retainer and Seal		1	3514 108-9	"Red"
11	1	3419 356-7	MOULDING PACKAGE, Roof Side Drain Trough, Frt. (23-59-61)		2	6002 983	Retainer
	4	6024 659	Screw		2	6026 523	Nut
12	1	2933 588-9	MOULDING PACKAGE, Roof Side Drain Trough, Rear (23-59-61)		12	6002 981	Retainer
	4	6027 459	Screw		12	6024 271	Screw

**All Packages Include Attaching Parts
Part Type Code is Indicated in Parentheses**

CONTINUED ON NEXT PAGE

EXTERIOR VIEW - DODGE MONACO D-H 4 DOOR HARDTOP

1969 PASSENGER CAR PARTS CATALOG

BODY

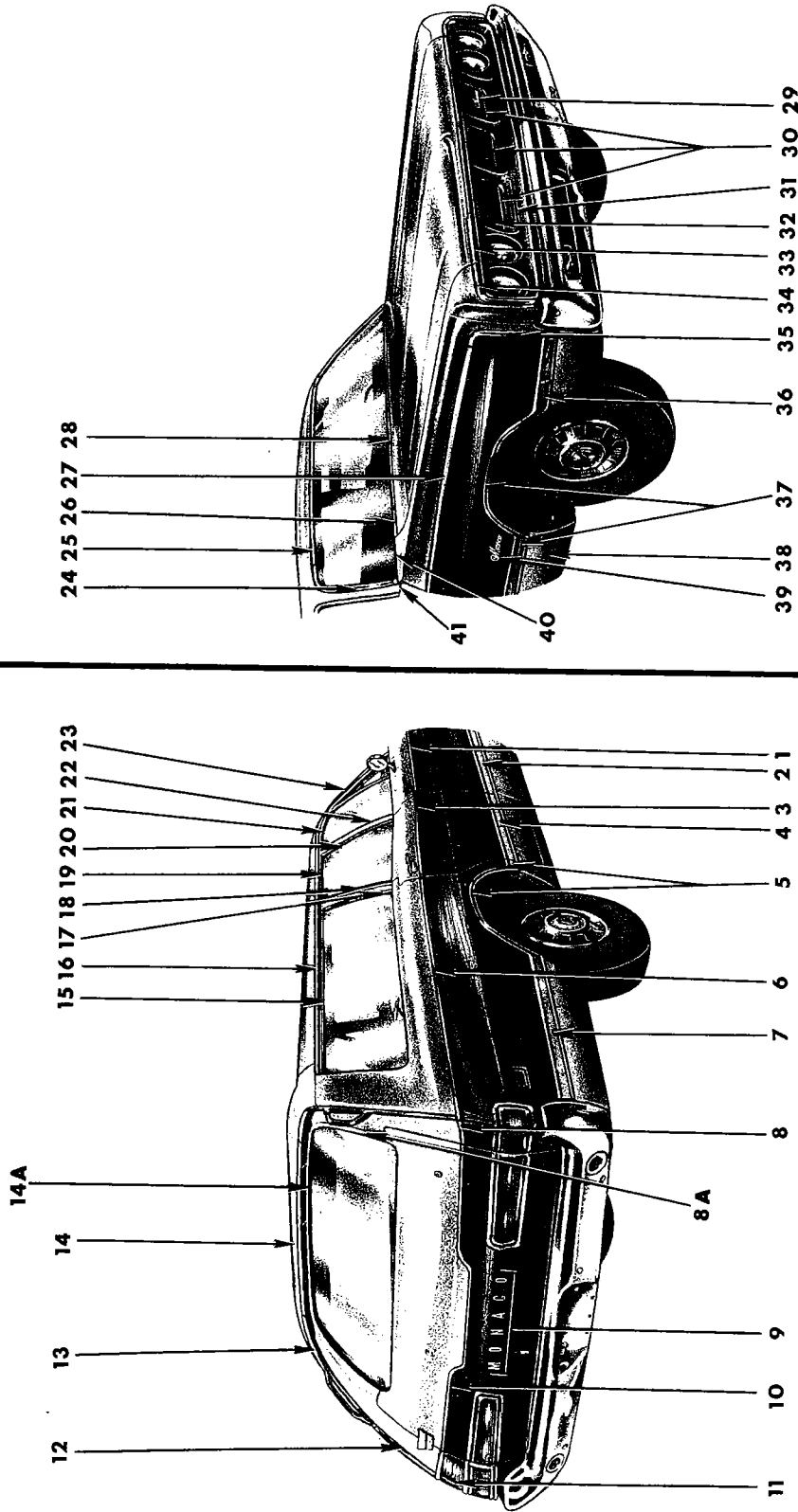
REF. NO.	QTY	PART NUMBER	DESCRIPTION
25	2	2964 634	NAME PLATE, Roof Side Brougham (Sp. Eqpt.) (23-34-238)
	4	9420 263	Nut
26	1	2933 820-1	MOULDING and T/PLATE PACKAGE, Qtr. Outside, Frt. and Whl. Opng. (23-23-39)
	6	6002 769	Retainer and Seal
	16	6024 271	Screw
26A	1	3514 094-5	MOULDING PACKAGE, Rear Door Outside, "Black" (23-23-33)
	1	3514 096-7	"Blue"
	1	3514 098-9	"Green"
	1	3514 100-1	"Red"
	2	6002 983	Retainer
	2	6026 523	Nut
	3	6002 981	Retainer
	3	6024 271	Screw
27	1	2933 824-5	MOULDING PACKAGE, Rear Door Outside (23-23-33)
	4	6002 625	Retainer
	4	6002 627	Retainer
	4	6024 271	Screw
	4	6026 523	Nut

REF. NO.	QTY	PART NUMBER	DESCRIPTION
28	1	2933 912-3	MOULDING PACKAGE, Rear Door Outside Belt (23-23-33)
	8	6002 782	Retainer
29	1	2933 816-7	MOULDING PACKAGE, Frt. Door Outside (23-23-32)
	10	6002 625	Retainer
	2	6002 627	Retainer
	10	6024 271	Screw
	2	6026 523	Nut
29A	2	3514 090	MOULDING PACKAGE, Frt. Door Outside, "Black" (23-23-32)
	2	3514 091	"Blue"
	2	3514 092	"Green"
	2	3514 093	"Red"
	2	6002 983	Retainer
	2	6026 523	Nut
	3	6002 981	Retainer
	3	6024 271	Screw
30	1	3419 482-3	MOULDING PACKAGE, Body Frt. Lower Pillar (23-23-14)
	2	6024 271	Screw, w/Seal

All Packages Include Attaching Parts

Part Type Code is Indicated in Parentheses

EXTERIOR VIEW - DODGE MONACO D-H 4 DOOR HARDTOP



19a2595A

EXTERIOR VIEW - DODGE MONACO D-H STATION WAGON

REF. NO.	QTY	PART NUMBER	DESCRIPTION
1	1	2933 828-9	MOULDING PACKAGE, Frt. Door Outside, Upr. (23-23-32)
	2	6002 162	Retainer
	8	6002 628	Retainer
	2	6026 523	Nut
2	1	2933 816-7	MOULDING PACKAGE, Frt. Door Outside (23-23-32)
	10	6002 625	Retainer
	2	6002 627	Retainer
	10	6024 271	Screw
	2	6026 523	Nut
3	1	2933 830-1	MOULDING PACKAGE, Rear Door Outside, Upr. (23-23-33)
	4	6002 162	Retainer
	6	6002 628	Retainer
	4	6026 523	Nut
4	1	2933 824-5	MOULDING PACKAGE, Rear Door Outside (23-23-33)
	4	6002 625	Retainer
	4	6002 627	Retainer
	4	6024 271	Screw
	4	6026 523	Nut
5	1	2933 840-1	MOULDING and T/PLATE PACKAGE, Qtr. Outside Frt. and Whl. Opng. (23-23-39)
	12	6027 413	Screw
6	1	2933 832	MOULDING PACKAGE, Qtr. Outside, Upr., Rt. (23-23-39)
	7	6002 628	Retainer
	1	2933 833	MOULDING PACKAGE, Qtr. Outside, Frt., Upr., Lt. (23-23-39)
	5	6002 628	Retainer
	1	2933 835	MOULDING PACKAGE, Qtr. Fuel Filler Door, Lt. (23-23-39)
	1	6002 162	Retainer
	1	6026 523	Nut
	1	2933 837	MOULDING PACKAGE, Qtr. Outside, Rear Upr., Lt. (23-23-39)
	3	6002 628	Retainer
7	1	2933 842-3	MOULDING and T/PLATE PACKAGE, Qtr. Outside Whl. Opng., Rear (23-23-39)
	10	6002 625	Retainer
	12	6024 271	Screw
8	1	2933 838-9	MOULDING PACKAGE, Qtr. Outside Rr. Ext. (23-23-39)
	4	6023 898	Screw
8A	1	2894 442-3	MOULDING, Qtr. Pnl. Outside Tailgate Pillar Upr. Tailgate Opng., Prime (23-23-60)
9	1	2964 736	LETTER "M", Tailgate (23-54-11)
	2	2964 733	"O"
	1	2964 738	"N"
	1	2964 739	"A"
	1	2964 740	"C"
	12	6000 050	Clip
10	1	2933 470	MOULDING PACKAGE, Tailgate Outside (23-23-61)
	7	6002 628	Retainer
11	1	2933 902-3	MOULDING PACKAGE, Qtr. Pnl. Outside Tailgate Plr., Lwr., UP TO Type (23-23-60)
	4	6002 665	Spacer

REF. NO.	QTY	PART NUMBER	DESCRIPTION
11	1	3440 482-3	MOULDING, Qtr. Panel Outside Tailgate Pillar, Lower, AFTER Type (23-23-60)
Cont'd			
12	1	2933 616-7	MOULDING PACKAGE, Qtr. Pnl. Outside Tailgate Pillar, Upr., Short, use w/Assist Handle (23-23-60)
	1	2933 620-1	MOULDING PACKAGE, Qtr. Pnl. Outside Tailgate Pillar, Upr., w/o Assist Handle (23-23-60)
	4	6002 665	Spacer
13	1	2894 416-7	MOULDING, Roof Rear Air Deflector, End (23-23-60)
14	1	2894 418	MOULDING, Roof Rear Air Deflector, Center (23-23-60)
14A	1	2894 445	MOULDING, Roof Pnl. Outside Tailgate Opng. Upr., Prime (23-23-60)
15	1	2893 258-9	MOULDING, Qtr. Wdo. Outside, Upr., Prime (23-23-73)
	1	2894 872-3	MOULDING, Qtr. Wdo. Outside, Upr., Finish (23-23-73)
16	1	2902 390-1	MOULDING, Roof Side Drain Trough (23-59-61)
17	1	2893 256-7	MOULDING, Qtr. Wdo. Outside, Frt., Prime (23-23-73)
	1	2894 870-1	MOULDING, Qtr. Wdo. Outside, Frt. Finish (23-23-73)
18	1	2893 728-9	MOULDING, Rear Door Wdo. Opng. Frame, Rr. (23-23-33)
19	1	2893 724-5	MOULDING, Rear Door Wdo. Opng. Frame, Upr. (23-23-33)
20	1	2893 700	MOULDING, Rear Door Wdo. Opng. Frame, Frt., Lt. (23-23-33)
	1	2893 701	MOULDING, Rear Door Wdo. Opng. Frame, Frt., Rt. (23-23-33)
21	1	2893 698-9	MOULDING PACKAGE, Frt. Door Wdo. Opng. Frame, Upr. (23-23-32)
22	1	2893 700-1	MOULDING PACKAGE, Frt. Door Wdo. Opng. Frame, Rear (23-23-32)
23	1	2933 592-3	MOULDING PACKAGE, Body Frt. Pillar Drain Trough (23-59-61)
	10	6027 459	Screw
24	1	2933 964-5	MOULDING PACKAGE, Windshield Outside, Side (23-23-65)
	6	2900 275	Spacer
	6	6002 688	Screw
25	1	2893 077	MOULDING, Windshield Outside, Upr. (23-23-65)
	7	6002 688	Retainer
26	1	2898 857	MOULDING, Hood Top Rear (15-25-2)
27	1	2933 896-7	MOULDING PACKAGE, Fender Upr. (12-15-2)
	7	6002 628	Retainer

CONTINUED ON NEXT PAGE

All Packages include Attaching Parts
Part Type Code is Indicated in Parentheses

EXTERIOR VIEW - DODGE MONACO D-H STATION WAGON

1969 PASSENGER CAR PARTS CATALOG

REF. NO.	QTY	PART NUMBER	DESCRIPTION
28	1	2933 963	MOULDING PACKAGE, Windshield Outside, Lwr. (23-23-65)
	1	3419 448	MOULDING PACKAGE, Windshield Outside Lwr. Ctr. and Ends, After Type (23-23-65)
	5	9418 246	Screw
29	1	2898 645	NAME PLATE, Radiator Grille (7-16-61)
	3	6024 869	Nut
30	1	2898 446	MOULDING, Radiator Grille, Ctr. (7-16-36)
	1	2898 444-5	MOULDING, Radiator Grille, Outer (7-16-36)
31	1	2898 642	FRAME, Radiator Grille, (7-16-36)
32	1	2898 130	TEXTURE, Radiator Grille (7-17-13)
33	1	2933 254	MOULDING PACKAGE, Hood Front, w/o Name Letters (15-25-2)
	8	9418 246	Screw
	1	3481 837	MOULDING PACKAGE, Hood Front, w/Name Letters
	6	116 000	Nut
34	1	2898 832-3	MOULDING, Fender Hood Frt. Extension (12-15-2)
	8	6027 999	Screw
35	1	2933 540-1	MOULDING PACKAGE, Fender Frt. (12-15-2)
	4	9420 620	Nut
	2	6027 177	Screw
	4	6025 456	Washer

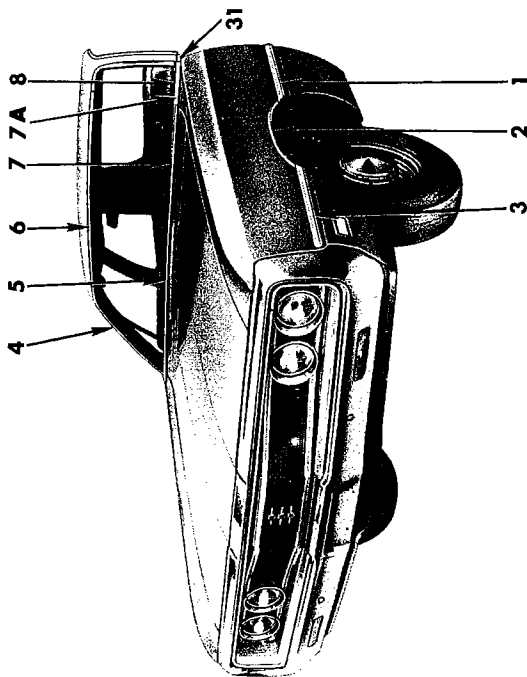
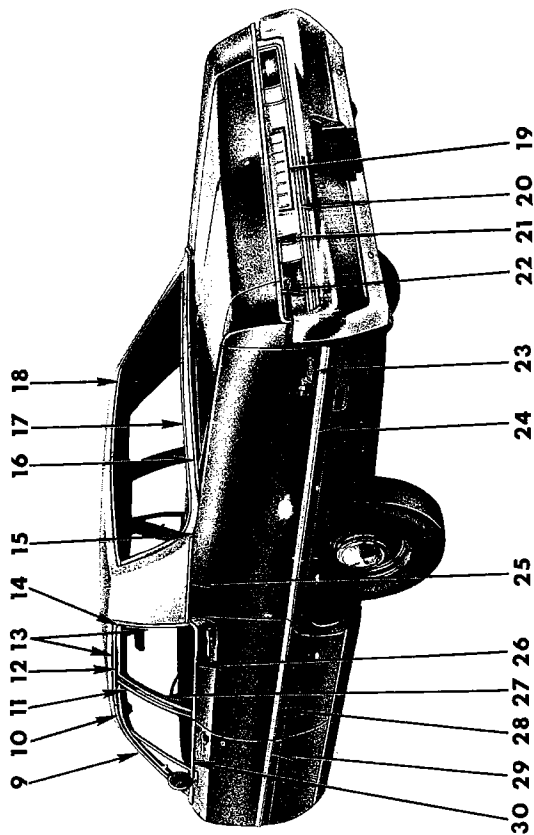
REF. NO.	QTY	PART NUMBER	DESCRIPTION
36	1	2933 536-7	MOULDING PACKAGE, Fender Lwr. Frt., use w/Cornering Lamp (12-15-2)
	4	6023 202	Nut
	2	6027 413	Screw
	1	2933 538-9	MOULDING PACKAGE, Fender Lwr. Frt., w/o Cornering Lamp (12-15-2)
	4	441 239	Nut
	4	6001 561	Retainer
	2	6027 413	Screw
37	1	2933 542-3	MOULDING PACKAGE, Fender Lwr. Fr., w/Whl. Opng. (12-15-2)
	3	6002 625	Retainer
	10	6024 271	Screw
38	1	2785 540	MEDALLION, Fender Side (Pentastar) (12-15-21)
	1	6026 404	Nut
39	2	2963 654	NAME PLATE, Fender Side (Monaco) (12-15-21)
	4	6000 050	Clip
40	1	3439 034-5	MOULDING, Windshield Lwr. End (23-23-65)
	2	6024 271	Screw, w/Seal
41	1	3419 482-3	MOULDING PACKAGE, Body Frt. Lwr. Pillar (23-23-14)
	2	6024 271	Screw, w/Seal

All Packages Include Attaching Parts

Part Type Code is Indicated in Parentheses

EXTERIOR VIEW - DODGE MONACO D-H STATION WAGON

19a2514 A



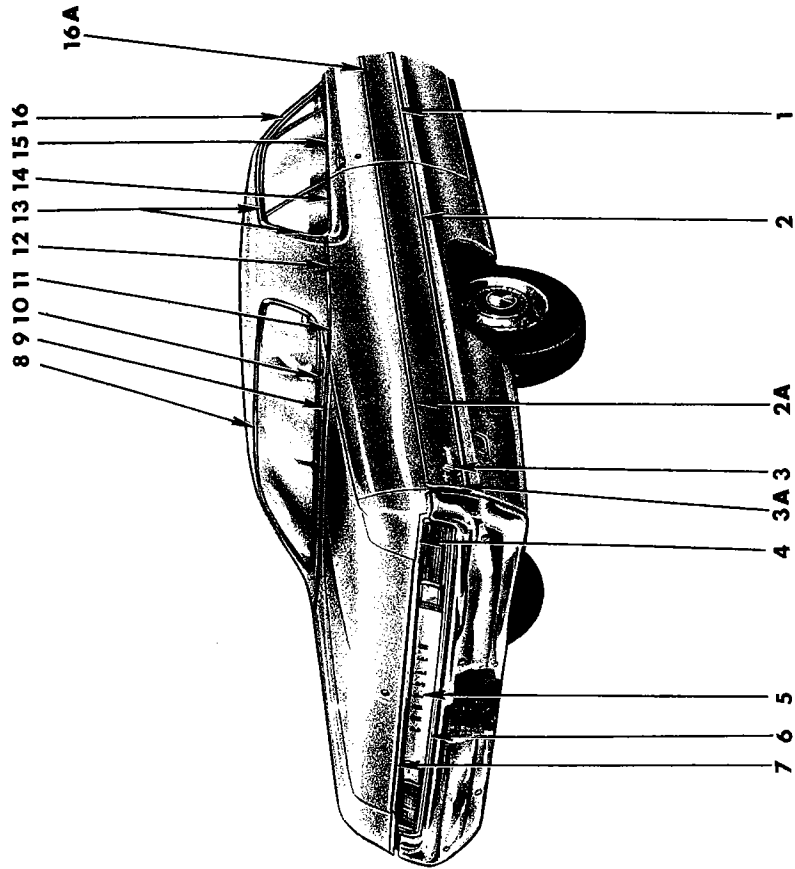
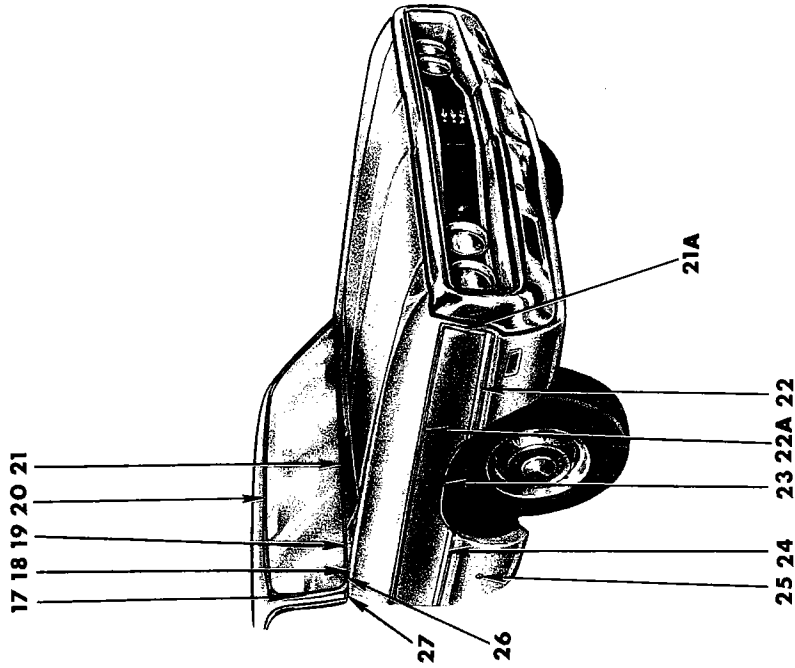
EXTERIOR VIEW - CHRYSLER NEWPORT C-E 4 DOOR SEDAN

REF. NO.	QTY	PART NUMBER	DESCRIPTION
1	1	2933 336-7	MOULDING PACKAGE, Fender Side Rear (12-15-2)
	1	6002 765	Retainer
	2	6002 767	Retainer
	2	6002 793	Retainer 1 6026 523 Nut
2	1	2933 342-3	MOULDING PACKAGE, Fender Wheel Opening (12-15-2)
	8	6027 413	Screw
3	1	2933 326-7	MOULDING PACKAGE, Fender Side Front (12-15-2)
	2	6002 765	Retainer
	3	6002 767	Retainer 1 6026 523 Nut
4	1	2933 964-5	MOULDING PACKAGE, Windshield Outside, Side (23-23-65)
	6	2900 275	Spacer 6 6002 688 Screw
5	1	2933 963	MOULDING PACKAGE, Windshield Outside, Lwr. (23-23-65)
	1	3419 448	MOULDING PACKAGE, Windshield Outside Lwr. Ctr. and Ends, AFTER Type (23-23-65)
	5	9418 246	Screw
6	1	2893 077	MOULDING, Windshield Outside, Upr. (23-23-65)
	7	6002 688	Retainer
7	1	2898 828	MOULDING, Hood Top Rear (15-25-2)
7A	1	3439 034-5	MOULDING, Windshield Lwr. End (23-23-65)
	2	6024 271	Screw w/Seal
8	1	2949 488-9	MOULDING, Fender Hood Extension (12-15-2)
9	1	2933 412-3	MOULDING PACKAGE, Body Frt. Pillar Drain Trough (23-59-61)
	6	6027 459	Screw
10	1	2893 698-9	MOULDING, Frt. Door Wdo. Opng. Frame, Upr. (23-23-32)
11	1	2893 700-1	MOULDING, Frt. Door Wdo. Opng. Frame, Rr. (23-23-32)
12	1	2893 708-9	MOULDING, Rear Door Wdo. Opng. Frame, Upr. (23-23-33)
13	1	#3419 362-3	MOULDING PACKAGE, Roof Side Drain Trough, Front and Rear (23-59-61)
	4	6024 659	Screw
14	1	2893 712-3	MOULDING, Rear Door Wdo. Opng. Frame, Rr. (23-23-33)
15	1	3419 316-7	MOULDING PACKAGE, Qtr. Outside Belt, Rr., Argent, use w/Vinyl Roof and Two Tone Paint (23-23-39)
	4	6023 898	Screw
	2	6024 740	Seal 2 9420 293 Nut
16	1	3419 318-9	MOULDING PACKAGE, Deck Opng. Upr. Pnl., Argent, use w/Vinyl Roof and Two Tone Paint (23-23-31)
	9	6002 709	Retainer 9 9426 925 Nut
17	1	2933 502-3	MOULDING PACKAGE, Rear Wdo. Outside, Side and Lwr. (23-23-52)
	16	6002 686	Retainer

All Packages Include Attaching Parts

REF. NO.	QTY	PART NUMBER	DESCRIPTION
18	1	2933 498-9	MOULDING PACKAGE, Rear Wdo. Outside, Upr. (23-23-52)
	8	6002 686	Retainer
19	1	2898 838	NAME LETTER "C", Deck Opng. Lwr. Pnl. (23-34-184)
	1	2898 839	"H"
	2	2898 840	"R"
	1	2898 841	"Y"
	1	2898 842	"S"
	1	2898 843	"L"
	1	2898 844	"E"
	16	6002 852	Retainer
20	1	2933 257	MOULDING PACKAGE, Tail Lamp Opng. Pnl. (23-23-39)
	4	6002 028	Retainer 4 ---- Nut
21	1	2933 256	MOULDING PACKAGE, Deck Opng. Lwr. Pnl. (23-23-23)
	7	6024 271	Screw
22	1	3419 006-7	MOULDING PACKAGE, Qtr. Pnl. End Ext. (23-23-39)
	2	9425 212	Screw
23	2	2901 358	NAME PLATE, Qtr. Outside, Newport (23-34-238)
	4	6027 466	Nut
24	1	2933 992-3	MOULDING PACKAGE, Qtr. Outside (23-23-39)
	16	6002 767	Retainer
	2	6002 787	Retainer 2 6024 152 Nut
25	1	3419 314-5	MOULDING PACKAGE, Qtr. Outside Belt, Frt., Argent, use w/Vinyl Roof and Two Tone Paint (23-23-39)
	2	6001 596	Retainer
	8	6002 192	Fastener 2 9420 254 Nut
26	1	2933 464-5	MOULDING and T/PLATE PACKAGE, Rear Door Outside Belt Frt. to Rear (23-23-33)
	14	6002 713	Retainer
27	1	2893 700	MOULDING, Rear Door Wdo. Opng. Frame, Frt., Lt. (23-23-33)
	1	2893 701	MOULDING, Rear Door Wdo. Opng. Frame, Frt., Rt.
28	1	2933 974-5	MOULDING PACKAGE, Rear Door Outside (23-23-33)
	4	6002 765	Retainer
	6	6002 767	Retainer 4 6026 523 Nut
29	2	2933 972	MOULDING PACKAGE, Frt. Door Outside (23-23-32)
	1	6002 765	Retainer
	4	6002 767	Retainer 1 6026 523 Nut
30	1	2933 468-9	MOULDING PACKAGE, Frt. Door Outside Belt, use w/o Turn Indicator Fdr. Hood Mtg. (23-23-32)
	1	2933 940-1	MOULDING PACKAGE, Frt. Door Outside Belt, use w/Turn Indicator Fdr. Hood Mtg. (23-23-32)
	14	6002 713	Clip
31	1	3419 482-3	MOULDING PACKAGE, Body Frt. Lwr. Pillar (23-23-14)
	2	6024 271	Screw w/Seal

Part Type Code is Indicated in Parentheses



19a2564A

EXTERIOR VIEW - CHRYSLER NEWPORT C-E 2 DOOR HARDTOP

REF. NO.	QTY	PART NUMBER	DESCRIPTION	REF. NO.	QTY	PART NUMBER	DESCRIPTION
1	2	2933 956	MOULDING PACKAGE, Door Outside (23-23-32)	12	1	3419 310-1	MOULDING PACKAGE, Qtr. Outside Belt, Frt., Argent, w/Vinyl Roof and Two Tone Paint (23-23-39)
	1	6002 765	Retainer		2	6001 596	Retainer and Seal
	5	6002 767	Retainer		6	6002 192	Fastener
	1	6026 523	Nut		2	9420 254	Nut
2	1	2933 990-1	MOULDING PACKAGE, Qtr. Outside, w/o Spring Special, (23-23-39)	13	1	#3419 358-9	MOULDING PACKAGE, Roof Side Drain Trough, Frt. and Rear (23-59-61)
	22	6002 767	Retainer		4	6024 659	Screw
	2	6002 787	Retainer	14	1	2933 374-5	MOULDING PACKAGE, Qtr. Outside Wdo. Belt, w/ Filler (23-23-39)
	2	6024 152	Nut		6	6002 713	Clip and Seal
	1	3419 124-5	MOULDING PACKAGE, Qtr. Outside, Lwr., Spring Special (23-23-39)	15	1	2933 466-7	MOULDING PACKAGE, Door Outside Belt, use w/o Turn Indicator Fdr. Hood Mtd. (23-23-32)
	22	6002 767	Retainer		1	2933 938-9	MOULDING PACKAGE, Door Outside Belt, use w/Turn Indicator Fdr. Hood Mtd. (23-23-32)
	22	6024 271	Screw		16	6002 713	Clip
	2	6002 787	Nut	16	1	2933 370-1	MOULDING PACKAGE, Body Frt. Pillar Drain Trough (23-59-61)
2A	2	3419 208	MOULDING PACKAGE, Qtr. Outside, Upr., Spring Spec. (23-23-39)		6	6027 459	Screw
	22	6001 910	Retainer	16A	2	3419 123	MOULDING PACKAGE, Door Outside, Upr., Spring Spec. (23-23-32)
3	2	2901 358	NAME PLATE, Qtr. Outside, "Newport" (23-34-238)		16	6001 910	Retainer
	4	6027 466	Nut	17	1	2933 966-7	MOULDING PACKAGE, Windshield Outside, Side (23-23-65)
3A	1	3419 210-1	MOULDING PACKAGE, Qtr. Upr. and Lwr. End, Spring Special (23-23-39)		6	2900 275	Spacer
	2	6027 466	Nut		6	6002 688	Screw
4	1	3419 006-7	MOULDING PACKAGE, Qtr. Pnl. End Ext. (23-23-39)	18	1	2933 963	MOULDING PACKAGE, Windshield Outside, Lwr. (23-23-65)
	2	9425 212	Screw		1	3419 448	MOULDING PACKAGE, Windshield Outside, Lwr. Ctr. and Ends, After Type (23-23-65)
5	1	2898 838	NAME LETTER "C", Deck Opng. Lwr. Pnl. (23-34-184)		5	9418 246	Screw
	1	2898 839	"H"	19	1	2949 488-9	MOULDING, Fender Hood Extension Rear (12-15-2)
	2	2898 840	"R"	20	1	2893 077	MOULDING, Windshield Outside, Upr. (23-23-65)
	1	2898 841	"Y"		7	6002 688	Retainer
	1	2898 842	"S"	21	1	2898 828	MOULDING, Hood Top Rear (15-25-2)
	1	2898 843	"L"	21A	1	3419 204-5	MOULDING PACKAGE, Fender Side End, Spring Special (12-15-2)
	1	2898 844	"E"		2	6000 960	Clip
	16	6002 852	Retainer	22	1	2933 326-7	MOULDING PACKAGE, Fender Side Front (12-15-2)
6	1	2933 257	MOULDING PACKAGE, Tail Lamp Opng. Pnl. (23-23-39)		1	6026 523	Nut
	4	6002 028	Retainer		2	6002 765	Retainer
	4	9420 254	Nut		3	6002 767	Retainer
7	1	2933 256	MOULDING PACKAGE, Deck Opng. Lwr. Pnl. (23-23-23)	22A	1	3419 202-3	MOULDING PACKAGE, Fender Side Upr. Spring Special (12-15-2)
	7	6024 271	Screw		16	6001 910	Retainer
8	1	2933 544-5	MOULDING PACKAGE, Rear Wdo. Opng., Upr. (23-23-52)	23	1	2933 342-3	MOULDING PACKAGE, Fender Wheel Opng. (12-15-2)
	12	6002 686	Retainer and Screw		8	6027 413	Screw
9	1	3419 320-1	MOULDING PACKAGE, Deck Opng. Upr. Pnl., Argent, use w/Vinyl Roof and Two Tone Paint (23-23-31)				
	7	6002 709	Retainer				
	7	9426 925	Nut				
10	1	2933 546-7	MOULDING PACKAGE, Rear Wdo. Opng. Lwr. (23-23-52)				
	12	6002 686	Retainer and Screw				
11	1	3419 312-3	MOULDING PACKAGE, Qtr. Outside Belt, Rr., Argent, use w/Vinyl Roof and Two Tone Paint (23-23-39)				
	4	6023 898	Screw				
	2	6024 740	Seal				
	2	9420 293	Nut				

CONTINUED ON NEXT PAGE

All Packages Include Attaching Parts

Part Type Code is Indicated in Parentheses

EXTERIOR VIEW - CHRYSLER NEWPORT C-E 2 DOOR HARDTOP

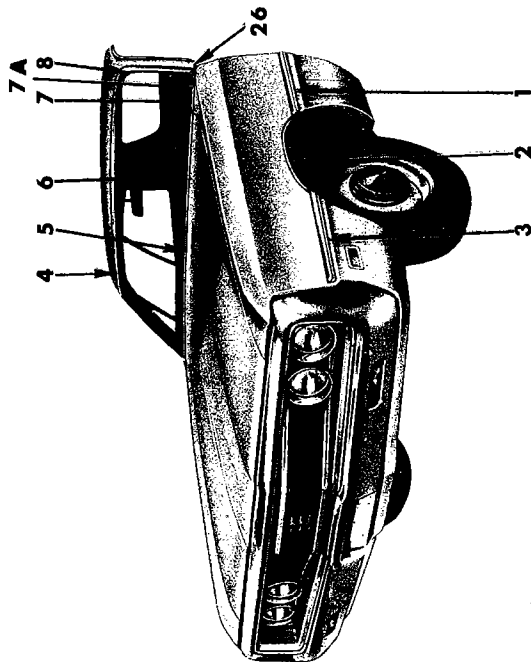
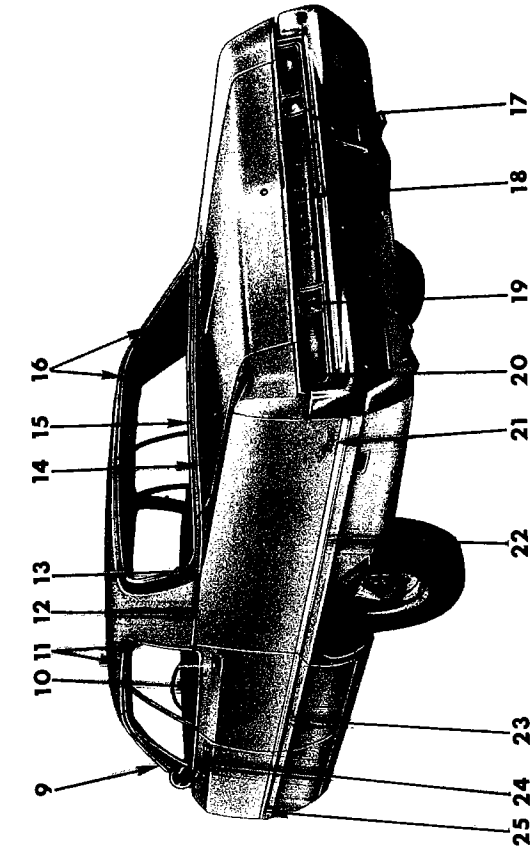
REF. NO.	QTY	PART NUMBER	DESCRIPTION
24	1	2933 336-7	MOULDING PACKAGE, Fender Side Rear (12-15-2)
	1	6026 523	Nut
	1	6002 765	Retainer
	2	6002 767	Retainer
	2	6002 793	Retainer
25	1	2785 540	MEDALLION, Fender Side, Pentastar (12-15-21)
	1	6026 404	Nut

REF. NO.	QTY	PART NUMBER	DESCRIPTION
26	1	3439 034-5	MOULDING, Windshield Lwr. End (23-23-65)
	2	6024 271	Screw, w/Seal
27	1	3419 482-3	MOULDING PACKAGE, Body Frt. Lwr. Pillar (23-23-14)
	2	6024 271	Screw, w/Seal

All Packages Include Attaching Parts

Part Type Code is Indicated in Parentheses

19a2516A



EXTERIOR VIEW - CHRYSLER NEWPORT C-E 4 DOOR HARDTOP

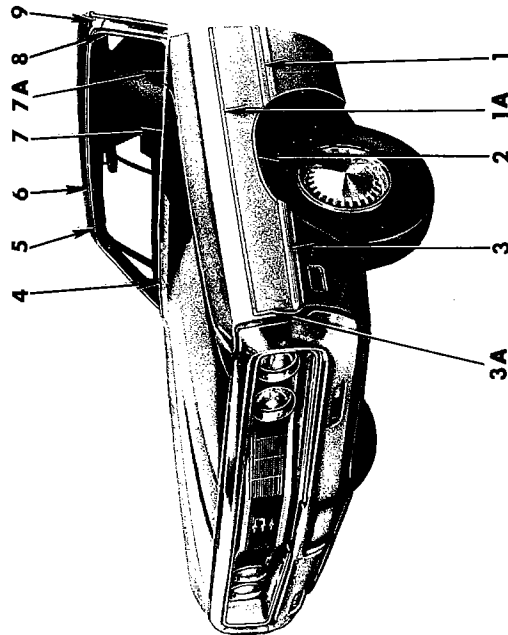
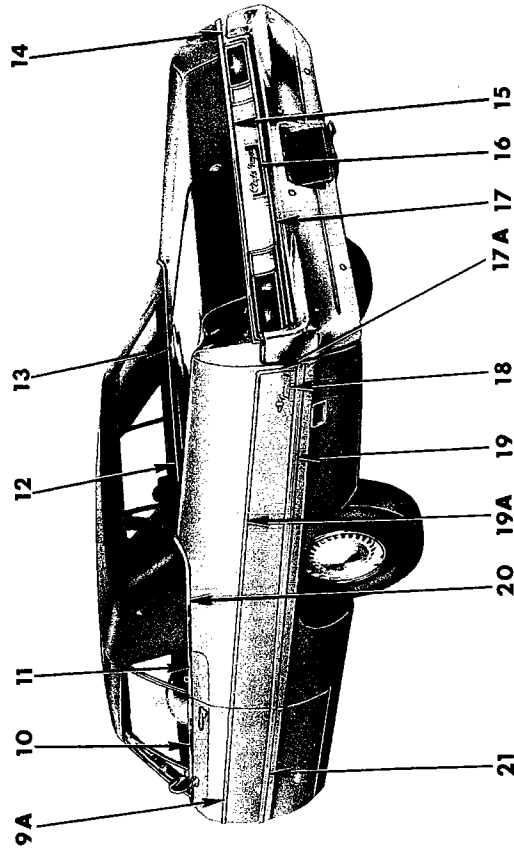
REF. NO.	QTY	PART NUMBER	DESCRIPTION
1	1	2933 336-7	MOULDING PACKAGE, Fender Side Rear (12-15-2)
	1	6026 523	Nut
	1	6002 765	Retainer
	2	6002 767	Retainer
	2	6002 793	Retainer
2	1	2933 342-3	MOULDING PACKAGE, Fender Wheel Opening (12-15-2)
	8	6027 413	Screw
3	1	2933 326-7	MOULDING PACKAGE, Fender Side Front (12-15-2)
	1	6026 523	Nut
	2	6002 765	Retainer
	3	6002 767	Retainer
4	1	2893 077	MOULDING, Windshield Outside, Upr. (23-23-65)
	7	6002 688	Retainer
5	1	2933 963	MOULDING PACKAGE, Windshield Outside, Lwr. (23-23-65)
	1	3419 448	MOULDING PACKAGE, Windshield Outside Lwr. Ctr. and Ends, After Type (23-23-65)
	5	9418 246	Screw
6	1	2898 828	MOULDING, Hood Top Rear (15-25-2)
7	1	2949 488-9	MOULDING, Fender Hood Ext. (12-15-2)
7A	1	3439 034-5	MOULDING, Windshield Lwr. End (23-23-65)
	2	6024 271	Screw, w/Seal
8	1	2933 966-7	MOULDING PACKAGE, Windshield Outside, Side (23-23-65)
	6	2900 275	Spacer
	6	6002 688	Screw
9	1	2933 414-5	MOULDING PACKAGE, Body Frt. Pillar Drain Trough (23-59-61)
	6	6027 459	Screw
10	1	2933 464-5	MOULDING and T/PLATE PACKAGE, Rear Door Outside Belt, Frt. to Rear (23-23-33)
	14	6002 713	Clip
11	1	#3419 352-3	MOULDING PACKAGE, Roof Side Drain Trough, Frt. and Rear (23-59-61)
	4	6027 459	Screw
12	1	3419 314-5	MOULDING PACKAGE, Qtr. Outside Belt, Frt., Argent, use w/Vinyl Roof and Two Tone Paint (23-23-39)
	2	6001 596	Retainer
	2	9420 254	Nut
	8	6002 192	Fastener
13	1	3419 316-7	MOULDING PACKAGE, Qtr. Outside Belt, Rr., Argent, use w/Vinyl Roof and Two Tone Paint (23-23-39)
	4	6023 898	Screw
	2	6024 740	Seal
	2	9420 293	Nut

All Packages Include Attaching Parts

REF. NO.	QTY	PART NUMBER	DESCRIPTION
14	1	3419 318-9	MOULDING PACKAGE, Deck Opng. Upr. Pnl., Argent, use w/Vinyl Roof and Two Tone Paint (23-23-31)
	9	6002 709	Retainer
	9	9426 925	Nut
15	1	2933 504-5	MOULDING PACKAGE, Rear Wdo. Outside, Lwr. (23-23-52)
	16	6002 686	Retainer
16	1	2933 506-7	MOULDING PACKAGE, Rear Wdo. Outside, Side and Upr. (23-23-52)
	12	6002 686	Retainer
17	1	2933 257	MOULDING PACKAGE, Tail Lamp Opng. Pnl. (23-23-39)
	4	6002 068	Retainer
	4	----	Nut
18	1	2898 838	NAME LETTER "C", Deck Opng. Lwr. Pnl. (23-34-184)
	1	2898 839	"H"
	2	2898 840	"R"
	1	2898 841	"Y"
	1	2898 842	"S"
	1	2898 843	"L"
	1	2898 844	"E"
	16	6002 852	Retainer
19	1	2933 256	MOULDING PACKAGE, Deck Opng. Lwr. Pnl. (23-23-23)
	7	6024 271	Screw
20	1	3419 006-7	MOULDING PACKAGE, Qtr. Pnl. End Ext. (23-23-39)
	2	9425 212	Screw
21	2	2901 358	NAME PLATE, Qtr. Outside, Newport (23-34-238)
	4	6027 466	Nut
22	1	2933 992-3	MOULDING PACKAGE, Qtr. Outside (23-23-39)
	16	6002 767	Retainer
	2	6002 787	Retainer
	2	6024 152	Nut
23	1	2933 974-5	MOULDING PACKAGE, Rear Door Outside (23-23-33)
	4	6002 765	Retainer
	6	6002 767	Retainer
	4	6026 523	Nut
24	1	2933 468-9	MOULDING PACKAGE, Frt. Door Outside Belt, use w/o Turn Indicator Fdr. Hood Mtg. (23-23-32)
	1	2933 940-1	MOULDING PACKAGE, Frt. Door Outside Belt, use w/Turn Indicator Fdr. Hood Mtg. (23-23-32)
	14	6002 713	Clip
25	2	2933 972	MOULDING PACKAGE, Frt. Door Outside (23-23-32)
	1	6002 765	Retainer
	4	6002 767	Retainer
	1	6026 523	Nut
26	1	3419 482-3	MOULDING PACKAGE, Body Frt. Lwr. Pillar (23-23-14)
	2	6024 271	Screw, w/Seal

Part Type Code is Indicated in Parentheses

EXTERIOR VIEW - CHRYSLER NEWPORT C-E 4 DOOR HARDTOP



19a2494 A

EXTERIOR VIEW - CHRYSLER NEWPORT C-E CONVERTIBLE COUPE

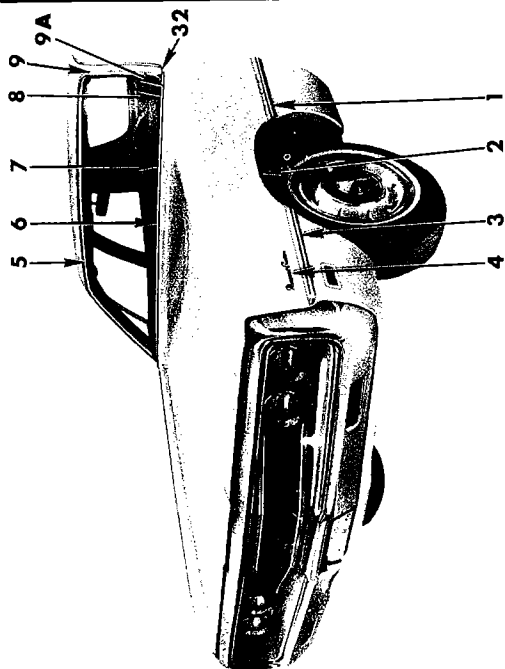
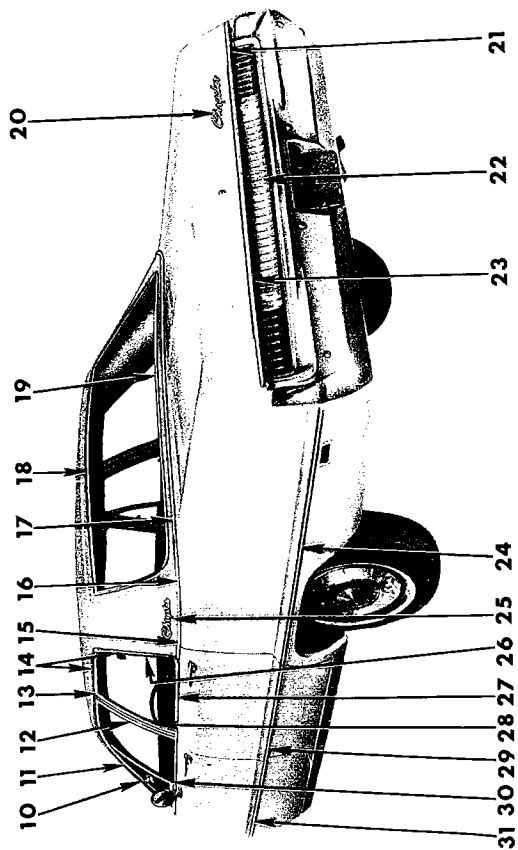
REF. NO.	QTY	PART NUMBER	DESCRIPTION	REF. NO.	QTY	PART NUMBER	DESCRIPTION
1	1	2933 336-7	MOULDING PACKAGE, Fender Side Rear (12-15-2)	13	1	2901 180	COVER, Deck Opng. Upr. Pnl. Mldg. Joint (23-23-41)
	1	6026 523	Nut	14	1	3419 006-7	MOULDING PACKAGE, Qtr. Pnl. End Ext. (23-23-39)
	1	6002 765	Retainer		2	9425 212	Screw
	2	6002 767	Retainer	15	1	2933 256	MOULDING PACKAGE, Deck Opng. Lwr. Pnl. (23-23-23)
	2	6002 793	Retainer		7	6024 271	Screw
1A	1	3419 202-3	MOULDING PACKAGE, Fender Side Upr., Spring Special (12-15-2)	16	1	2898 838	NAME LETTER "C", Deck Opening Lwr. Pnl. (23-34-184)
	16	6001 910	Retainer		1	2898 839	"H"
2	1	2933 342-3	MOULDING PACKAGE, Fender Wheel Opening (12-15-2)		2	2898 840	"R"
	8	6027 413	Screw		1	2898 841	"Y"
3	1	2933 326-7	MOULDING PACKAGE, Fender Side Front (12-15-2)		1	2898 842	"S"
	1	6026 523	Nut		1	2898 843	"L"
	2	6002 765	Retainer		1	2898 844	"E"
	3	6002 767	Retainer		16	6002 852	Retainer
3A	1	3419 204-5	MOULDING PACKAGE, Fender Side End, Spring Special (12-15-2)	17	1	2933 257	MOULDING PACKAGE, Tail Lamp Opng. Pnl. (23-23-39)
	2	6000 960	Clip		4	6002 068	Retainer
4	1	2933 963	MOULDING PACKAGE, Windshield Outside Lwr. (23-23-65)		4	9420 254	Nut
	1	3419 448	MOULDING PACKAGE, Windshield Outside Lwr. Ctr. and Ends, AFTER Type (23-23-65)	17A	1	3419 210-1	MOULDING PACKAGE, Qtr. Upr. & Lwr. End., Spring Special (23-23-39)
	5	9418 246	Screw		2	6027 466	Nut
5	1	2893 077	MOULDING, Windshield Outside, Upr. (23-23-65)	18	2	2901 358	NAME PLATE, Qtr. Outside, Newport (23-34-238)
	7	6002 688	Retainer		4	6027 466	Nut
6	1	2902 536-7	MOULDING, Windshield Outside, Upr. Header (23-23-65)	19	1	2933 990-1	MOULDING PACKAGE, Qtr. Outside, w/o Spring Special (23-23-39)
	7	6025 792	Screw		22	6002 767	Retainer
7	1	2898 828	MOULDING, Hood Top Rear (15-25-2)		2	6002 787	Retainer
	1	3439 034-5	MOULDING, Windshield Lwr. End (23-23-65)		2	6024 152	Nut
	2	6024 271	Screw w/Seal		1	3419 124-5	MOULDING PACKAGE, Qtr. Outside Lwr., Spring Special (23-23-39)
8	1	2933 966-7	MOULDING PACKAGE, Windshield Outside, Side (23-23-65)		22	6002 767	Retainer
	6	2900 275	Spacer		22	6024 271	Screw
	6	6002 688	Screw		2	6002 787	Nut
9	1	2901 018-9	MOULDING, Body Frt. Upr. Pillar Outside (23-23-14)	19A	2	3419 208	MOULDING PACKAGE, Qtr. Outside, Upr., Spring Special (23-23-39)
	1	2901 018-9	MOULDING, Body Frt. Upr. Pillar Outside (23-23-14)		22	6001 910	Retainer
9A	2	3419 123	MOULDING PACKAGE, Door Outside, Upr., Spring Special (23-23-32)	20	1	2933 932-3	MOULDING PACKAGE, Qtr. Outside Belt, Rr. (23-23-39)
	16	6001 910	Retainer		16	9428 567	Screw
10	1	2933 466-7	MOULDING PACKAGE, Door Outside Belt, w/o Turn Indicator Fdr. Hood Mtd. (23-23-32)	21	2	2933 956	MOULDING PACKAGE, Door Outside (23-23-32)
	1	2933 938-9	MOULDING PACKAGE, Door Outside Belt, w/Turn Indicator Fdr. Hood Mtg. (23-23-32)		1	6002 765	Retainer
	16	6002 713	Clip		5	6002 767	Retainer
11	1	2933 936-7	MOULDING PACKAGE, Qtr. Outside Belt, Frt. (23-23-39)		1	6026 523	Nut
	2	6027 282	Screw				
12	2	2933 934	MOULDING PACKAGE, Deck Opng. Upr. Pnl. (23-23-31)				
	10	6002 734	Retainer				
	10	9428 567	Screw				

All Packages Include Attaching Parts

Part Type Code is Indicated in Parentheses

EXTERIOR VIEW - CHRYSLER NEWPORT C-E CONVERTIBLE COUPE

19a2517A



EXTERIOR VIEW - CHRYSLER NEWPORT CUSTOM C-L 4 DOOR SEDAN

1969 PASSENGER CAR PARTS CATALOG

Illus. Page 23-323

BODY

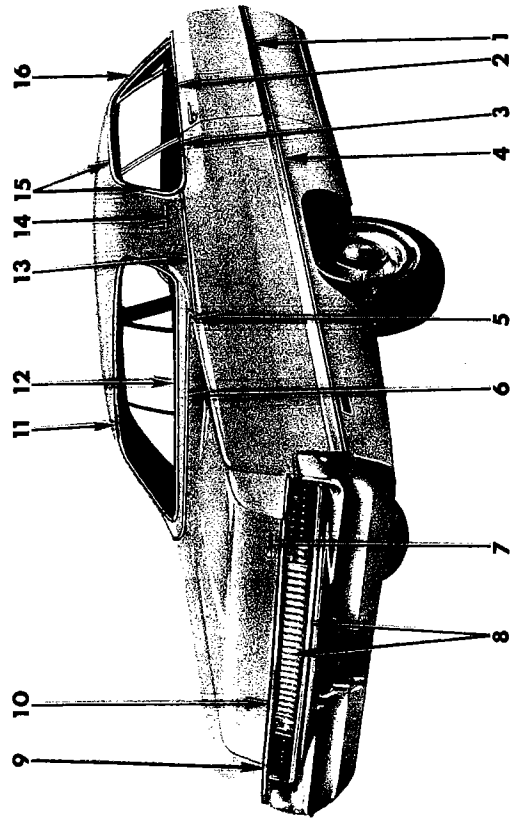
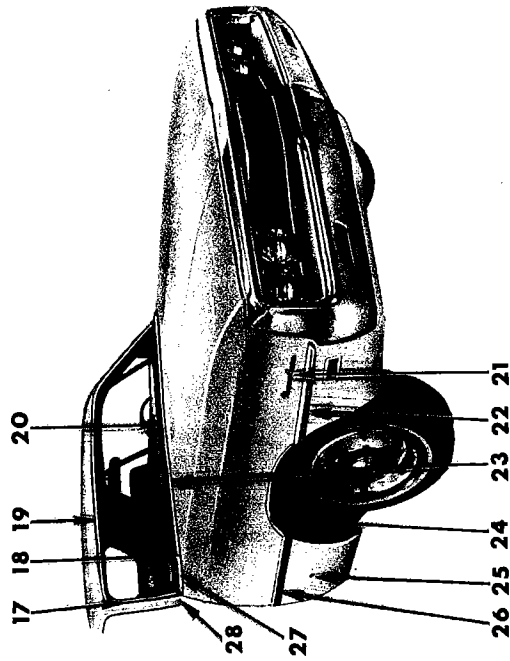
REF. NO.	QTY	PART NUMBER	DESCRIPTION	REF. NO.	QTY	PART NUMBER	DESCRIPTION
1	1	2933 338-9	MOULDING PACKAGE, Fender Side Rear (12-15-2)	17	1	3419 318-9	MOULDING PACKAGE, Deck Opng. Upr. Pnl., Argent, use w/Vinyl Roof and Two Tone Paint (23-23-31)
	2	6026 523	Nut		9	6002 709	Retainer
	2	6002 793	Retainer		9	9426 925	Nut
	2	6002 800	Retainer	18	1	2933 498-9	MOULDING PACKAGE, Rear Wdo. Outside, Upr. (23-23-52)
2	1	2933 344-5	MOULDING PACKAGE, Fender Wheel Opening (12-15-2)		8	6002 686	Retainer
	8	6027 413	Screw	19	1	2933 502-3	MOULDING PACKAGE, Rear Wdo. Outside, Side and Upr. (23-23-52)
3	1	2933 328-9	MOULDING PACKAGE, Fender Side Front (12-15-2)		16	6002 686	Retainer
	3	6026 523	Nut	20	1	2901 359	NAME PLATE, Deck Lid, "Chrysler" (23-19-114)
	1	6001 603	Retainer		2	6000 050	Clip
	2	6002 814	Retainer	21	1	3419 006-7	MOULDING PACKAGE, Qtr. Pnl. End Ext. (23-23-39)
4	2	2901 360	NAME PLATE, Fender Side (12-15-21)		2	9425 212	Screw
	6	9420 263	Nut	22	1	2902 315	PANEL, Tail Lamp Opng. Finish (23-23-28)
5	1	2893 077	MOULDING, Windshield Outside, Upr. (23-23-65)		6	6027 466	Nut
	7	6002 688	Retainer	23	1	2933 256	MOULDING PACKAGE, Deck Opng. Lwr. Pnl. (23-23-23)
6	1	2933 963	MOULDING PACKAGE, Windshield Outside, Lwr. (23-23-65)		7	6024 271	Screw
	1	3419 448	MOULDING PACKAGE, Windshield Outside Lwr. Ctr. and Ends, After Type (23-23-65)	24	1	2933 988-9	MOULDING PACKAGE, Qtr. Outside (23-23-39)
	5	9418 246	Screw		16	6002 616	Retainer
7	1	2898 828	MOULDING, Hood Top Rear (15-25-2)		2	6002 794	Retainer
	8	2898 826-7	MOULDING, Fender Hood Extension (12-15-2)		2	6024 679	Nut
8	1	2898 826-7	MOULDING, Fender Hood Extension (12-15-2)	25	2	2963 659	MEDALLION and INSERT, Qtr. Outside (23-34-334)
9	1	2933 964-5	MOULDING PACKAGE, Windshield Outside, Side (23-23-65)		4	6000 050	Clip
	6	2900 275	Spacer	26	1	2893 712-3	MOULDING, Rear Door Wdo. Opng. Frame, Rr. (23-23-33)
	6	6002 688	Screw	27	1	2933 464-5	MOULDING and T/PLATE PACKAGE, Rear Door Outside Belt, Frt. to Rear (23-23-33)
9A	1	3439 034-5	MOULDING, Windshield Lwr. End (23-23-65)		14	6002 713	Retainer
	2	6024 271	Screw, w/Seal	28	1	2893 700	MOULDING, Rear Door Wdo. Opng. Frame, Frt., Lt. (23-23-33)
10	1	2933 412-3	MOULDING PACKAGE, Body Frt. Pillar Drain Trough (23-59-61)		1	2893 701	MOULDING, Rear Door Wdo. Opng. Frame, Frt., Rt. (23-23-33)
	6	6027 459	Screw	29	1	2933 976-7	MOULDING PACKAGE, Rear Door Outside (23-23-33)
11	1	2893 698-9	MOULDING, Frt. Door Wdo. Opng. Frame, Upr. (23-23-32)		8	6002 793	Retainer
12	1	2893 700-1	MOULDING, Frt. Door Wdo. Opng. Frame, Rr. (23-23-32)		2	6002 798	Retainer
13	1	2893 708-9	MOULDING, Rear Door Wdo. Opng. Frame, Upr. (23-23-33)		2	6002 816	Retainer
14	1	#3419 362-3	MOULDING PACKAGE, Roof Side Drain Trough, Frt. and Rear (23-59-61)		4	6026 523	Nut
	4	6024 659	Screw	30	1	2933 468-9	MOULDING PACKAGE, Frt. Door Outside Belt, use w/o Turn Indicator Fdr. Hood Mtg. (23-23-32)
15	1	3419 314-5	MOULDING PACKAGE, Qtr. Outside Belt, Frt., Argent, use w/Vinyl Roof and Two Tone Paint (23-23-39)		1	2933 940-1	MOULDING PACKAGE, Frt. Door Outside Belt, use w/Turn Indicator Fdr. Hood Mtg. (23-23-32)
	2	6001 596	Retainer		14	6002 713	Clip
	2	9420 254	Nut	31	1	2933 970-1	MOULDING PACKAGE, Frt. Door Outside (23-23-32)
	8	6002 192	Fastener		2	6002 765	Retainer
16	1	3419 316-7	MOULDING PACKAGE, Qtr. Outside Belt, Rr., Argent, use w/Vinyl Roof and Two Tone Paint (23-23-39)		8	6002 793	Retainer
	4	6023 898	Screw		2	6002 796	Retainer
	2	6024 740	Seal		2	6002 798	Retainer
	2	9420 293	Nut		4	6026 623	Nut
				32	1	3419 482-3	MOULDING PACKAGE, Body Frt. Lwr. Pillar (23-23-14)
					2	6024 271	Screw, w/Seal

All Packages include Attaching Parts

Part Type Code is Indicated in Parentheses

EXTERIOR VIEW - CHRYSLER NEWPORT CUSTOM C-L 4 DOOR SEDAN

19a2570A



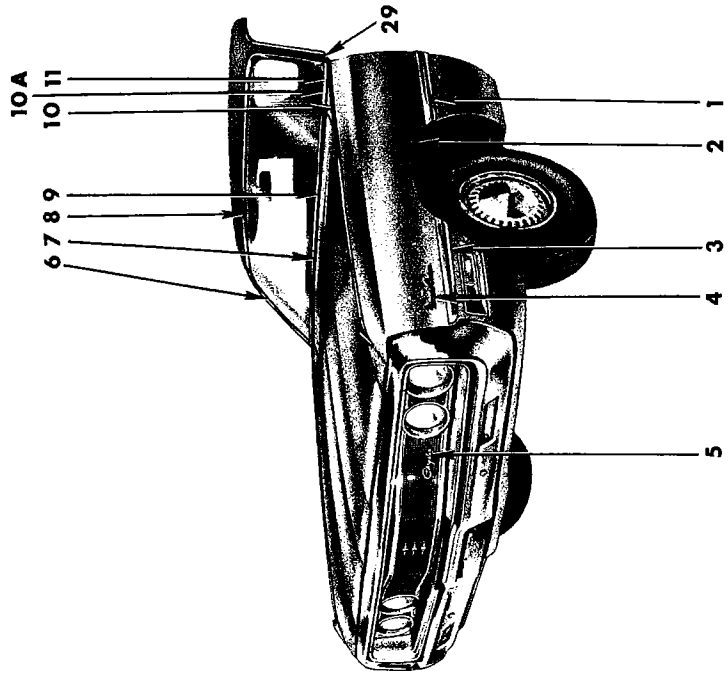
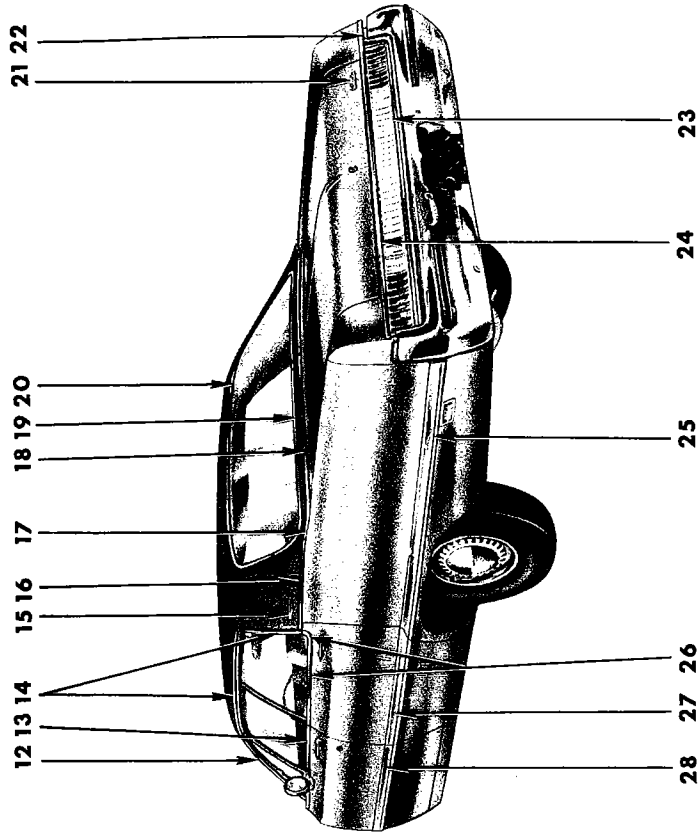
EXTERIOR VIEW - CHRYSLER NEWPORT CUSTOM C-L 2 DOOR HARDTOP

REF. NO.	QTY	PART NUMBER	DESCRIPTION	REF. NO.	QTY	PART NUMBER	DESCRIPTION
1	1	2933 968-9	MOULDING PACKAGE, Door Outside (23-23-32)	14	2	2963 659	MEDALLION and INSERT, Qtr. Outside (23-34-334)
	2	6002 765	Retainer		4	6000 050	Clip
	2	6002 793	Retainer	15	1	#3419 358-9	MOULDING PACKAGE, Roof Side Drain Trough, Front and Rear (23-59-61)
	2	6002 796	Retainer		4	6024 659	Screw
	4	6026 523	Nut	16	1	2933 370-1	MOULDING PACKAGE, Body Frt. Pillar Drain Trough (23-59-61)
2	1	2933 466-7	MOULDING PACKAGE, Door Outside Belt, use w/o Turn Indicator Fdr. Hood Mtd. (23-23-32)		6	6027 459	Screw
	16	6002 713	Retainer	17	1	2933 966-7	MOULDING PACKAGE, Windshield Outside, Side (23-23-65)
	1	2933 938-9	MOULDING PACKAGE, Door Outside Belt, use w/Turn Indicator Fdr. Hood Mtd. (23-23-32)		6	2900 275	Spacer
	16	6002 713	Retainer		6	6002 688	Screw
3	1	2933 374-5	MOULDING PACKAGE, Qtr. Wdo. O/Side Belt, w/Filler (23-23-39)	18	1	2898 826-7	MOULDING, Fender Hood Ext. Rear (12-15-2)
	6	6002 713	Clip and Seal	19	1	2893 077	MOULDING, Windshield Outside, Upr. (23-23-65)
4	1	2933 986-7	MOULDING PACKAGE, Qtr. Outside (23-23-39)		7	6002 688	Retainer
	24	6002 616	Retainer	20	1	2933 963	MOULDING PACKAGE, Windshield Outside, Lower (23-23-65)
	2	6002 794	Retainer		1	3419 448	MOULDING PACKAGE, Windshield Outside Lwr. Ctr. and Ends, AFTER Type (23-23-65)
	2	6024 679	Nut		5	9418 246	Screw
5	1	3419 312-3	MOULDING PACKAGE, Qtr. Outside Belt, Rear, Argent, use w/Vinyl Roof and Two Tone Paint (23-23-39)	21	2	2901 360	NAME PLATE, Fender (Newport Custom) (12-15-21)
	4	6023 898	Screw		6	9420 263	Nut
	2	6024 740	Seal	22	1	2933 328-9	MOULDING PACKAGE, Fender Side Front (12-15-2)
	2	9420 293	Nut		3	6026 523	Nut
6	1	3419 320-1	MOULDING PACKAGE, Deck Opng. Upr. Pnl., Argent, use w/Vinyl Roof and Two Tone Paint (23-23-31)		1	6001 603	Retainer
	7	6002 709	Retainer		2	6002 814	Retainer
	7	9426 925	Nut	23	1	2898 828	MOULDING, Hood Top Rear (15-25-2)
7	1	2901 359	NAME PLATE, Deck Lid, "Chrysler" (23-19-114)	24	1	2933 344-5	MOULDING PACKAGE, Fender Wheel Opening (12-15-2)
	2	6000 050	Clip		8	6027 413	Screw
8	1	2902 315	PANEL, Tail Lamp Opng. Finish (23-23-28)	25	1	2785 540	MEDALLION, Fender Side (Pentastar) (12-15-21)
	6	6027 466	Nut			6026 404	Nut
9	1	3419 006-7	MOULDING PACKAGE, Qtr. Pnl. End Extension (23-23-39)	26	1	2933 338-9	MOULDING PACKAGE, Fender Side Rear (12-15-2)
	2	9425 212	Screw		2	6026 523	Nut
10	1	2933 256	MOULDING PACKAGE, Deck Opng. Lwr. Pnl. (23-23-23)		2	6002 793	Retainer
	7	6024 271	Screw		2	6002 800	Retainer
11	1	2933 544-5	MOULDING PACKAGE, Rear Wdo. Opng., Upr. (23-23-52)	27	1	3439 034-5	MOULDING, Windshield Lwr., End (23-23-65)
	12	6002 686	Retainer and Screw		2	6024 271	Screw w/Seal
12	1	2933 546-7	MOULDING PACKAGE, Rear Wdo. Opng., Lwr. (23-23-52)	28	1	3419 482-3	MOULDING PACKAGE, Body Frt. Lwr. Pillar (23-23-14)
	12	6002 686	Retainer and Screw		2	6024 271	Screw w/Seal
13	1	3419 310-1	MOULDING PACKAGE, Qtr. Outside Belt, Frt., Argent, use w/Vinyl Roof and Two Tone Paint (23-23-39)				
	2	6001 596	Retainer and Seal				
	6	6002 192	Fastener				
	2	9420 254	Nut				

**All Packages Include Attaching Parts
Part Type Code is Indicated in Parentheses**

EXTERIOR VIEW - CHRYSLER NEWPORT CUSTOM C-L 2 DOOR HARDTOP

19a2408A



EXTERIOR VIEW - CHRYSLER NEWPORT CUSTOM C-L 4 DOOR HARDTOP

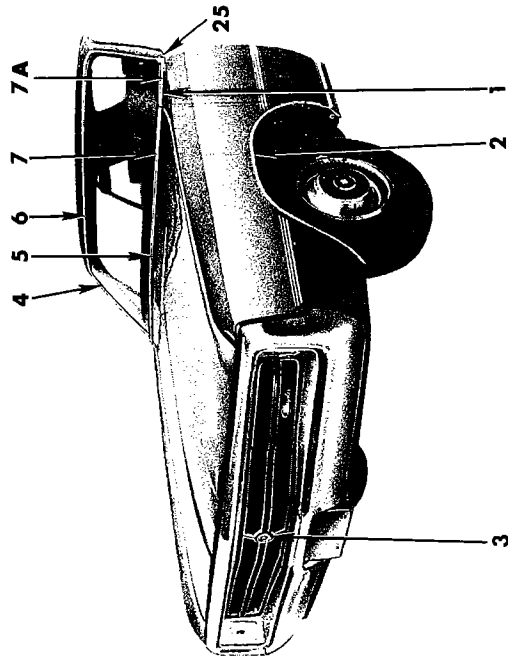
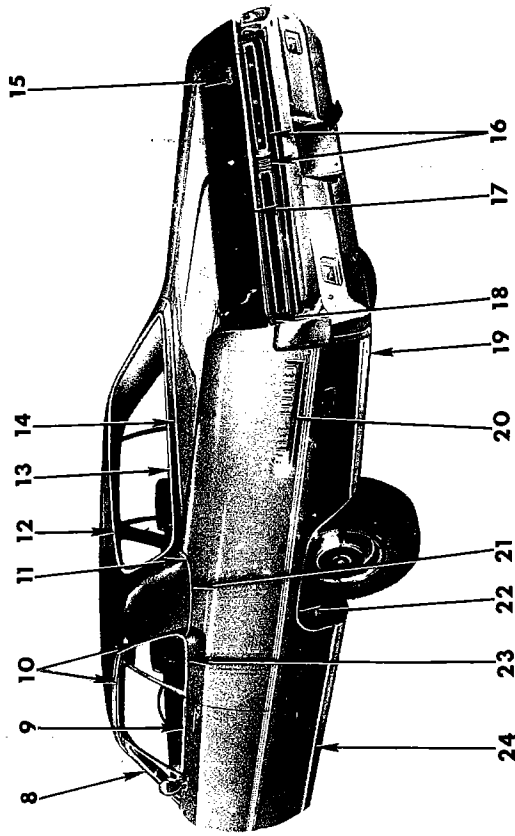
REF. NO.	QTY	PART NUMBER	DESCRIPTION	REF. NO.	QTY	PART NUMBER	DESCRIPTION
1	1	2933 338-9	MOULDING PACKAGE, Fender Side Rear (12-15-2)	17	1	3419 316-7	MOULDING PACKAGE, Qtr. Outside Belt, Rr., Argent, use w/Vinyl Roof and Two Tone Paint (23-23-39)
	1	6026 523	Nut		4	6023 898	Screw
	2	6002 793	Retainer		2	6024 740	Seal
	2	6002 800	Retainer		2	9420 293	Nut
2	1	2933 344-5	MOULDING PACKAGE, Fender Wheel Opng. (12-15-2)	18	1	3419 318-9	MOULDING PACKAGE, Deck Opng. Upr. Pnl., Argent, use w/Vinyl Roof and Two Tone Paint (23-23-31)
	8	6027 413	Screw		9	6002 709	Retainer
3	1	2933 328-9	MOULDING PACKAGE, Fender Side Frt. (12-15-2)		9	9426 925	Nut
	3	6026 523	Nut	19	1	2933 504-5	MOULDING PACKAGE, Rear Wdo. Outside, Lwr. (23-23-52)
	1	6001 603	Retainer		16	6002 686	Retainer
	2	6002 814	Retainer	20	1	2933 506-7	MOULDING PACKAGE, Rear Wdo. Outside, Side and Upr. (23-23-52)
4	2	2901 360	NAME PLATE, Fender (12-15-21)		12	6002 686	Retainer
	6	9420 263	Nut	21	1	2901 359	NAME PLATE, Deck Lid, "Chrysler" (23-19-114)
5	1	2898 952	NAME PLATE, Radiator Grille (7-16-61)		2	6000 050	Clip
6	1	2933 966-7	MOULDING PACKAGE, Windshield Outside, Side (23-23-65)	22	1	3419 006-7	MOULDING PACKAGE, Qtr. Pnl. End Ext. (23-23-39)
	6	2900 275	Spacer		2	9425 212	Screw
	6	6002 688	Screw	23	1	2902 315	PANEL, Tail Lamp Opng. Finish (23-23-28)
7	1	2933 963	MOULDING PACKAGE, Windshield Outside, Lwr. (23-23-65)		6	6027 466	Nut
	1	3419 448	MOULDING PACKAGE, Windshield Outside Lwr. Ctr. and Ends, After Type (23-23-65)	24	1	2933 256	MOULDING PACKAGE, Deck Opng. Lwr. Pnl. (23-23-23)
	5	9418 246	Screw		7	6024 271	Screw
8	1	2893 077	MOULDING, Windshield Outside, Lwr. (23-23-65)	25	1	2933 988-9	MOULDING PACKAGE, Qtr. Outside (23-23-39)
	7	6002 688	Retainer		16	6002 616	Retainer
9	1	2898 828	MOULDING, Hood Top Rear (15-25-2)		2	6002 794	Retainer
10	1	2933 334-5	MOULDING PACKAGE, Fender Peak (12-15-2)		2	6024 679	Nut
	18	6002 713	Clip	26	1	2933 464-5	MOULDING and T/PLATE PACKAGE, Rr. Door Outside Belt Frt. to Rear (23-23-33)
10A	1	3439 034-5	MOULDING, Windshield Lwr. End (23-23-65)		14	6002 713	Retainer
	2	6024 271	Screw, w/Seal	27	1	2933 976-7	MOULDING PACKAGE, Rr. Door Outside (23-23-33)
11	1	2949 488-9	MOULDING, Fender Hood Ext. (12-15-2)		8	6002 793	Retainer
12	1	2933 414-5	MOULDING PACKAGE, Body Frt. Pillar Drain Trough (23-59-61)		2	6002 798	Retainer
	6	6027 459	Screw		2	6002 816	Retainer
13	1	2933 468-9	MOULDING PACKAGE, Frt. Door Outside Belt, use w/o Turn Indicator Fender Hood Mtd., (23-23-32)		4	6026 523	Nut
	1	2933 940-1	MOULDING PACKAGE, Frt. Door Outside Belt, use w/Turn Indicator Fender Hood Mtd.	28	1	2933 970-1	MOULDING PACKAGE, Frt. Door Outside (23-23-32)
	14	6002 713	Clip		2	6002 765	Retainer
14	1	#3419 352-3	MOULDING PACKAGE, Roof Side Drain Trough, Frt. and Rear (23-59-61)		8	6002 793	Retainer
	4	6027 459	Screw		2	6002 796	Retainer
15	2	2963 659	MEDALLION and INSERT, Qtr. Outside (23-34-334)		2	6002 798	Retainer
	4	6000 050	Clip		4	6026 523	Nut
16	1	3419 314-5	MOULDING PACKAGE, Qtr. Outside Belt, Frt., Argent, use w/Vinyl Roof and Two Tone Paint (23-23-39)	29	1	3419 482-3	MOULDING PACKAGE, Body Frt. Lwr. Pillar (23-23-14)
	2	6001 596	Retainer		2	6024 271	Screw, w/Seal
	8	6002 192	Fastener				
	2	9420 254	Nut				

All Packages Include Attaching Parts

Part Type Code is Indicated in Parentheses

EXTERIOR VIEW - CHRYSLER NEWPORT CUSTOM C-L 4 DOOR HARDTOP

19a2473A



EXTERIOR VIEW - CHRYSLER 300 C-M 2 DOOR HARDTOP

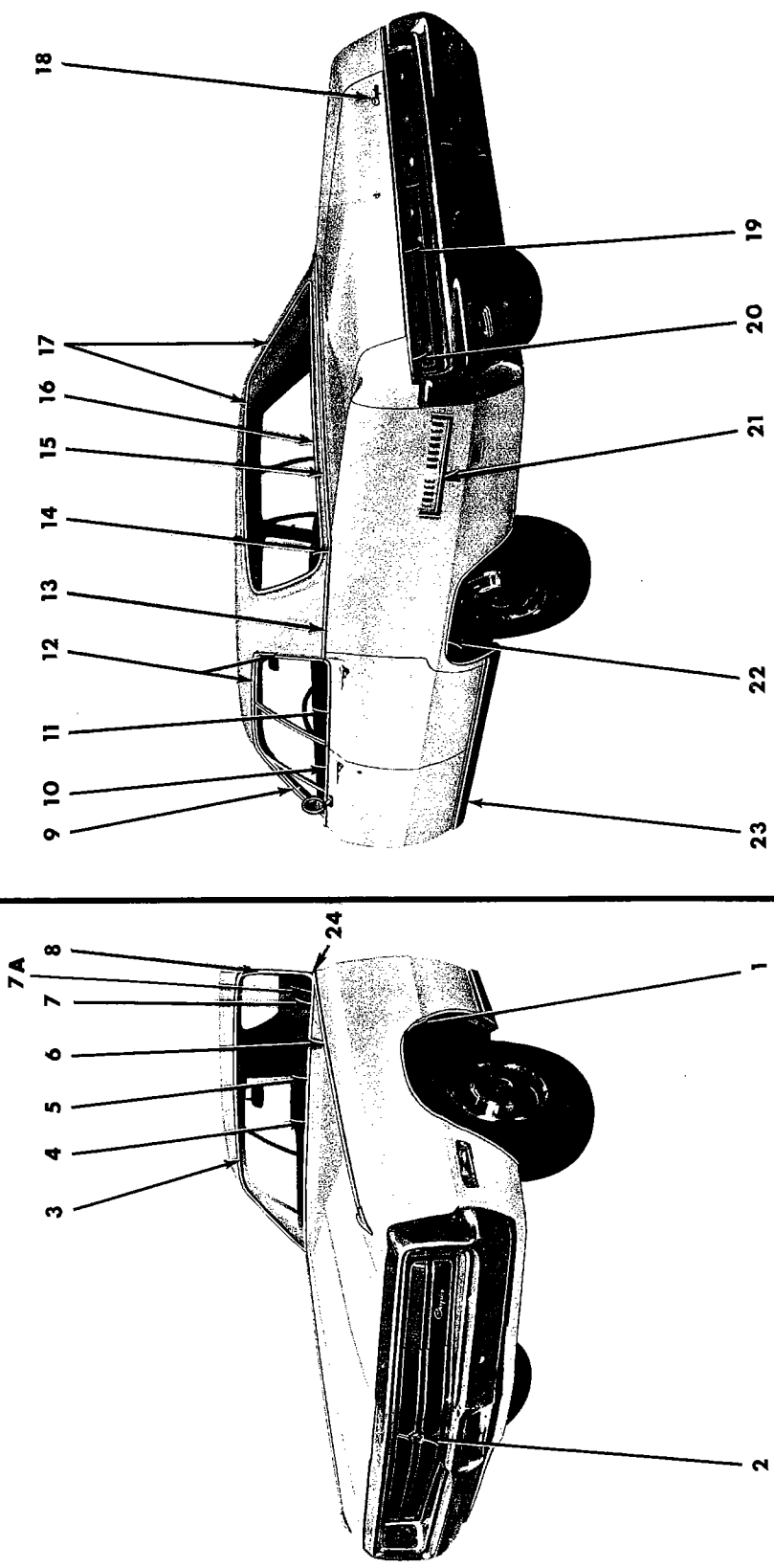
REF. NO.	QTY	PART NUMBER	DESCRIPTION	REF. NO.	QTY	PART NUMBER	DESCRIPTION	
1	1	2949 488-9	MOULDING, Fender Hood Ext. (12-15-2)	14	1	3419 320-1	MOULDING PACKAGE, Deck Opng. Upr. Pnl., Argent, use w/Vinyl Roof and Two Tone Paint (23-23-31)	
2	1	2933 346-7	MOULDING PACKAGE, Fender Wheel Opening (12-15-2)		7	6002 709	Retainer	
	16	6027 413	Screw		7	9426 925	Nut	
3	1	2898 467	ORNAMENT, Radiator Grille Center (7-17-1)	15	1	2901 359	NAME PLATE, Deck Lid, "Chrysler" (23-19-114)	
	2	9420 278	Nut		2	6000 050	Clip	
4	1	2933 966-7	MOULDING PACKAGE, Windshield Outside, Side (23-23-65)	16	1	2930 054-5	BEZEL, Lower Deck Opening Panel Tail, Stop and Turn Signal Lamp (8-55-158)	
	6	2900 275	Spacer		17	1	2933 256	MOULDING PACKAGE, Deck Opng. Lwr. Pnl. (23-23-23)
	6	6002 688	Screw		7	6024 271	Screw	
5	1	2933 963	MOULDING PACKAGE, Windshield Outside, Lwr. (23-23-65)	18	1	3419 006-7	MOULDING PACKAGE, Qtr. Pnl. End Ext. (23-23-39)	
	1	3419 448	MOULDING PACKAGE, Windshield Outside Lwr. Ctr. and Ends, After Type (23-23-65)		2	9425 212	Screw	
	5	9418 246	Screw	19	1	2901 494-5	PANEL, Qtr. Outside Rear Finish, use w/Wheel Opng. Skirt (23-23-85)	
6	1	2893 077	MOULDING, Windshield Outside, Upr. (23-23-65)		6	6024 271	Screw	
	7	6002 688	Retainer	20	1	2901 364	NAME LETTER "T", Qtr. Outside Pnl. (23-34-238)	
7	1	2898 828	MOULDING, Hood Top Rear (15-25-2)		2	2901 365	"H"	
7A	1	3439 034-5	MOULDING, Windshield Lwr. End (23-23-65)		2	2901 366	"R"	
	2	6024 271	Screw, w/Seal		3	2901 367	"E"	
8	1	2933 370-1	MOULDING PACKAGE, Body Frt. Pillar Drain Trough (23-59-61)		1	2901 370	"U"	
	6	6024 759	Screw		1	2901 371	"N"	
9	1	2933 466-7	MOULDING PACKAGE, Door Outside Belt, w/o Turn Indicator Fdr. Hood Mtd., (23-23-32)		2	2901 372	"D"	
	1	2933 938-9	MOULDING PACKAGE, Door Outside Belt, w/Turn Indicator Fdr. Hood Mtg. (23-23-32)	21	1	3419 310-1	MOULDING PACKAGE, Qtr. Outside Belt, Frt., Argent, use w/Vinyl Roof and Two Tone Paint (23-23-39)	
	16	6002 713	Clip		2	6001 596	Retainer and Seal	
10	1	#3419 358-9	MOULDING PACKAGE, Roof Side Drain Trough, Frt. and Rear (23-59-61)		2	9420 254	Nut	
	4	6024 659	Screw		6	6002 192	Fastener	
11	1	3419 312-3	MOULDING PACKAGE, Qtr. Outside Belt, Rr., Argent, use w/Vinyl Roof and Two Tone Paint (23-23-39)	22	1	3419 012-3	MOULDING PACKAGE, Qtr. Outside Whl. Opng. (23-23-39)	
	4	6023 898	Screw		10	6024 271	Screw	
	2	6024 740	Seal		1	2933 458-9	MOULDING PACKAGE, Qtr. Outside Whl. Opng. Pnl., w/Skirt (23-23-39)	
	2	9420 293	Nut		10	6024 271	Screw	
12	1	2933 544-5	MOULDING PACKAGE, Rear Wdo. Opng., Upr. (23-23-52)	23	1	2933 374-5	MOULDING PACKAGE, Qtr. Wdo. O/Side Belt, w/Filler (23-23-39)	
	12	6002 686	Retainer and Screw		6	6002 713	Clip and Seal	
13	1	2933 546-7	MOULDING PACKAGE, Rear Wdo. Opng., Lwr. (23-23-52)	24	1	2933 984-5	PANEL PACKAGE, Body Side Sil Outside Finish (23-23-2)	
	12	6002 686	Retainer and Screw		18	6002 611	Retainer	
					4	6026 221	Screw	
				25	1	3419 482-3	MOULDING PACKAGE, Body Frt. Lwr. Pillar (23-23-14)	
					2	6024 271	Screw, w/Seal	

All Packages Include Attaching Parts

Part Type Code is Indicated in Parentheses

EXTERIOR VIEW - CHRYSLER 300 C-M 2 DOOR HARDTOP

19a2545A



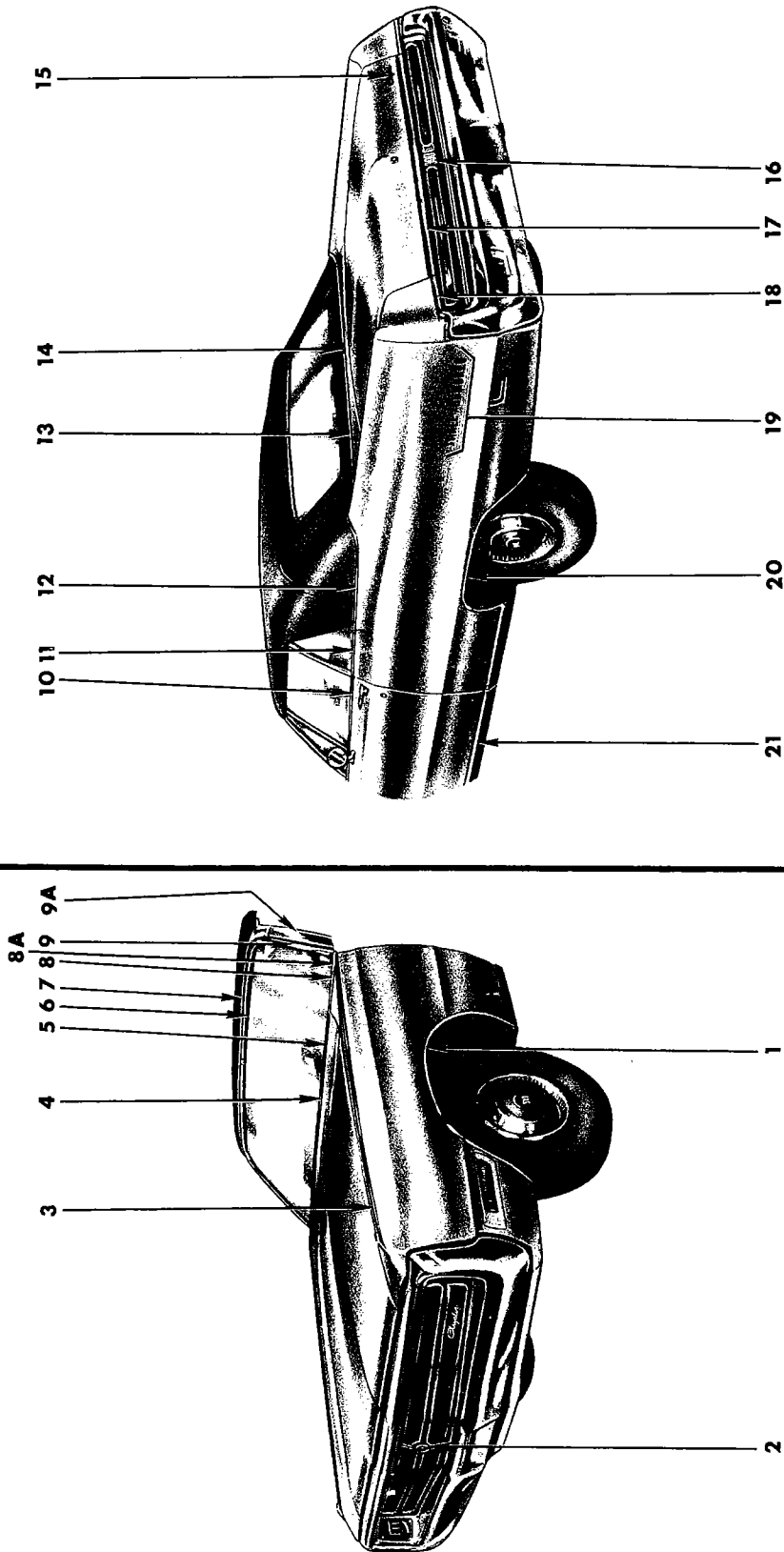
EXTERIOR VIEW - CHRYSLER 300 C-M 4 DOOR HARDTOP

REF. NO.	QTY	PART NUMBER	DESCRIPTION	REF. NO.	QTY	PART NUMBER	DESCRIPTION
1	1	2933 346-7	MOULDING PACKAGE, Fender Wheel Opening (12-15-2)	14	1	3419 316-7	MOULDING PACKAGE, Qtr. Outside Belt, Rear, Argent, use w/Vinyl Roof and Two Tone Paint (23-23-39)
	8	6027 413	Screw		4	6023 898	Screw
2	1	2898 467	ORNAMENT, Radiator Grille (7-17-1)		2	6024 740	Seal
	2	9420 278	Nut		2	9420 293	Nut
3	1	2893 077	MOULDING, Windshield Outside, Upr. (23-23-65)	15	1	3419 318-9	MOULDING PACKAGE, Deck Opng. Upr. Pnl., Argent, use w/Vinyl Roof and Two Tone Paint (23-23-31)
	7	6002 688	Retainer		9	6002 709	Retainer
4	1	2933 963	MOULDING PACKAGE, Windshield Outside, Lwr. (23-23-65)		9	9426 925	Nut
	1	3419 448	MOULDING PACKAGE, Windshield Outside Lwr. Ctr. and Ends, AFTER Type (23-23-65)	16	1	2933 504-5	MOULDING PACKAGE, Rear Wdo. Outside, Lwr. (23-23-52)
	5	9418 246	Screw		16	6002 686	Retainer
5	1	2898 828	MOULDING, Hood Top Rear (15-25-2)	17	1	2933 506-7	MOULDING PACKAGE, Rear Wdo. Outside, Side and Upr. (23-23-52)
6	1	2933 334-5	MOULDING PACKAGE, Fender Outside Peak (12-15-2)		12	6002 686	Retainer
	9	6002 713	Clip	18	1	2901 359	NAME PLATE, Deck Lid, "Chrysler" (23-19-114)
7	1	2949 488-9	MOULDING, Fender Hood Extension (12-15-2)		2	6000 050	Clip
7A	1	3439 034-5	MOULDING, Windshield Lwr. End (23-23-65)	19	1	2933 256	MOULDING PACKAGE, Deck Opng. Lwr. Pnl. (23-23-23)
	2	6024 271	Screw w/Seal		7	6024 271	Screw
8	1	2933 966-7	MOULDING PACKAGE, Windshield Outside, Side (23-23-65)	20	1	3419 006-7	MOULDING PACKAGE, Qtr. Pnl. End Extension (23-23-39)
	6	2900 275	Spacer		2	9425 212	Screw
	6	6002 688	Screw	21	1	2901 364	NAME LETTER "T", Qtr. Outside (23-34-238)
9	1	2933 414-5	MOULDING PACKAGE, Body Frt. Pillar Drain Trough (23-59-61)		2	2901 365	"H"
	6	6027 459	Screw		2	2901 366	"R"
10	1	2933 468-9	MOULDING PACKAGE, Frt. Door Outside Belt, use w/o Turn Indicator Fdr. Hood Mtg. (23-23-32)		3	2901 367	"E"
	1	2933 940-1	MOULDING PACKAGE, Frt. Door Outside Belt, use w/Turn Indicator Fdr. Hood Mtg. (23-23-32)		1	2901 370	"U"
	14	6002 713	Clip		1	2901 371	"N"
11	1	2933 464-5	MOULDING and T/PLATE PACKAGE, Rear Door Outside Belt Frt. to Rear (23-23-33)		2	2901 372	"D"
	14	6002 713	Retainer		48	6027 352	Nut
12	1	#3419 352-3	MOULDING PACKAGE, Roof Side Drain Trough, Front and Rear (23-59-61)	22	1	3419 012-3	MOULDING PACKAGE, Qtr. Outside Whl. Opng. (23-23-39)
	4	6027 459	Screw		10	6024 271	Screw
13	1	3419 314-5	MOULDING PACKAGE, Qtr. Outside Belt, Frt., Argent, use w/Vinyl Roof and Two Tone Paint (23-23-39)	23	1	2933 984-5	PANEL PACKAGE, Body Side Sill Outside Finish (23-23-2)
	2	6001 596	Retainer		18	6002 611	Retainer
	2	9420 254	Nut		4	6026 221	Screw
	8	6002 912	Fastener	24	1	3419 482-3	MOULDING PACKAGE, Body Frt. Lwr. Pillar (23-23-14)
					2	6024 271	Screw w/Seal

All Packages Include Attaching Parts

Part Type Code is Indicated in Parentheses

EXTERIOR VIEW - CHRYSLER 300 C-M 4 DOOR HARDTOP



19a2598 B

EXTERIOR VIEW - CHRYSLER 300 C-M CONVERTIBLE COUPE

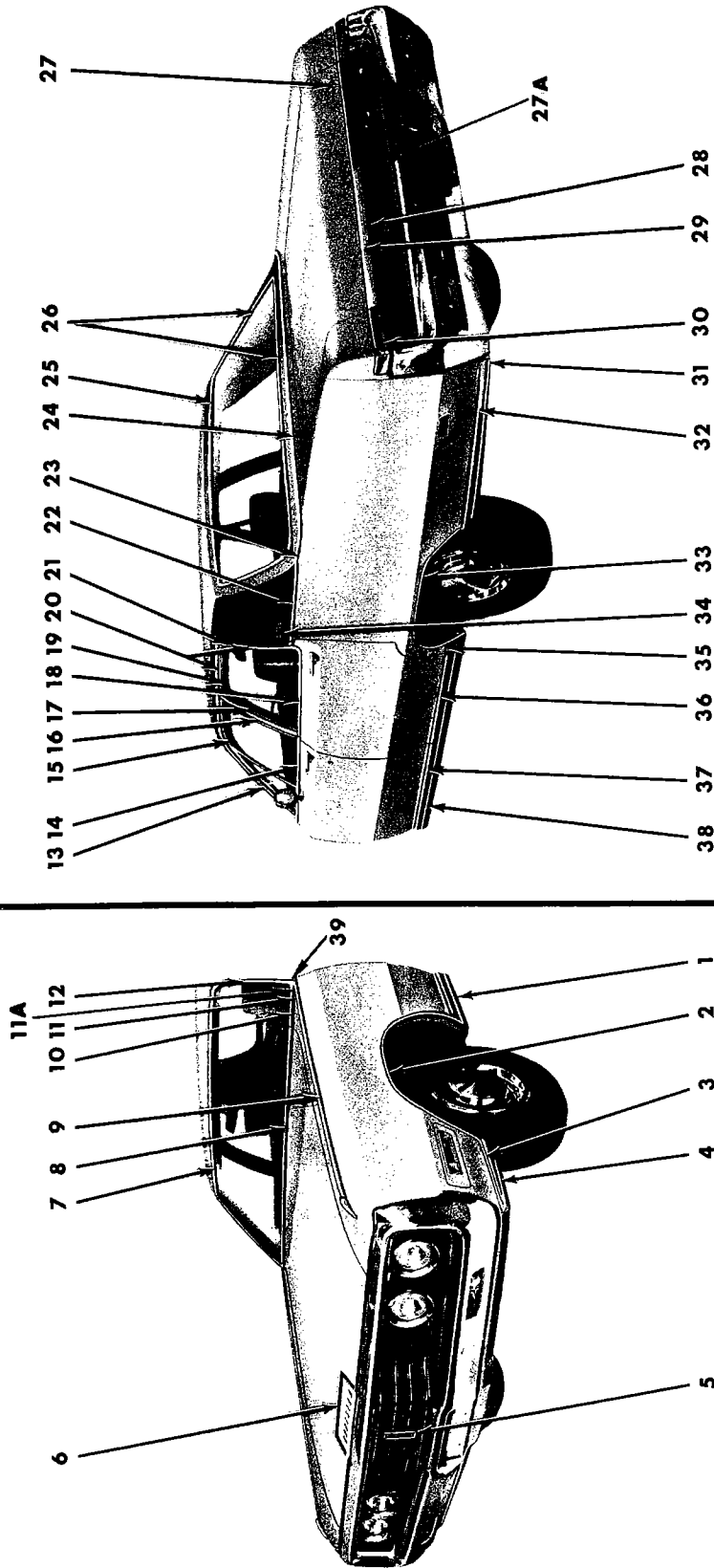
REF. NO.	QTY	PART NUMBER	DESCRIPTION	REF. NO.	QTY	PART NUMBER	DESCRIPTION
1	1	2933 346-7	MOULDING PACKAGE, Fender Wheel Opening (12-15-2)	13	2	2933 934	MOULDING PACKAGE, Deck Opng. Upr. Pnl. (23-23-31)
	16	6027 413	Screw		10	6002 734	Retainer
2	1	2898 467	ORNAMENT, Radiator Grille (7-17-1)		10	9428 567	Screw
	2	9420 278	Nut	14	1	2901 180	COVER, Deck Opng. Upr. Pnl. Mldg. Joint (23-23-41)
3	1	2933 334-5	MOULDING PACKAGE, Fender Peak (12-15-2)	15	1	2901 359	NAME PLATE, Deck Lid, "Chrysler" (23-19-114)
	18	6002 713	Clip		2	6000 050	Clip
4	1	2933 963	MOULDING PACKAGE, Windshield Outside, Lwr. (23-23-65)	16	1	2930 054-5	BEZEL, Lower Deck Opng. Pnl. Tail, Stop and Turn Signal Lamp (8-55-158)
	1	3419 448	MOULDING PACKAGE, Windshield Outside Lwr. Ctr. and Ends, After Type (23-23-65)	17	1	2933 256	MOULDING PACKAGE, Deck Opng. Lwr. Pnl. (23-23-23)
	5	9418 246	Screw		7	6024 271	Screw
5	1	2898 828	MOULDING, Hood Top Rear (15-25-2)	18	1	3419 006-7	MOULDING PACKAGE, Qtr. Pnl. End Extension (23-23-39)
6	1	2893 077	MOULDING, Windshield Outside, Upr. (23-23-65)		2	9425 212	Screw
	7	6002 688	Retainer	19	1	2901 364	NAME LETTER "T", Qtr. Outside (23-34-238)
7	1	2902 536-7	MOULDING, Windshield Outside, Upr. Header (23-23-65)		2	2901 365	"H"
	7	6025 792	Screw		2	2901 366	"R"
8	1	2949 488-9	MOULDING, Fender Hood Extension (12-15-2)		3	2901 367	"E"
	1	2949 488-9	MOULDING, Fender Hood Extension (12-15-2)		1	2901 370	"U"
8A	1	3439 034-5	MOULDING, Windshield Lwr. End (23-23-65)		1	2901 371	"N"
	2	6024 271	Screw, w/Seal		2	2901 372	"D"
9	1	2933 966-7	MOULDING PACKAGE, Windshield Outside, Side (23-23-65)		48	6027 352	Nut
	6	2900 275	Spacer	20	1	3419 012-3	MOULDING PACKAGE, Qtr. Outside Whl. Opng. (23-23-39)
	6	6002 688	Screw		10	6024 271	Screw
9A	1	2901 018-9	MOULDING, Body Frt. Upr. Pillar Outside (23-23-14)	21	1	2933 984-5	MOULDING PACKAGE, Body Side Sill Outside Finish (23-23-2)
10	1	2933 466-7	MOULDING PACKAGE, Door Outside Belt, w/o Turn Indicator Fdr. Hood Mtd. (23-23-32)		18	6002 611	Retainer
	1	2933 938-9	MOULDING PACKAGE, Door Outside Belt, w/Turn Indicator Fdr. Hood Mtd. (23-23-32)		4	6026 221	Screw
	16	6002 713	Clip				
11	1	2933 936-7	MOULDING PACKAGE, Qtr. Outside Belt, Frt. (23-23-39)				
	2	6027 282	Screw				
12	1	2933 932-3	MOULDING PACKAGE, Qtr. Outside Belt, Rr. (23-23-39)				
	16	9428 567	Screw				

All Packages Include Attaching Parts

Part Type Code is Indicated in Parentheses

EXTERIOR VIEW - CHRYSLER 300 C-M CONVERTIBLE COUPE

19a2546A



EXTERIOR VIEW - CHRYSLER NEW YORKER C-H 4 DOOR SEDAN

1969 PASSENGER CAR PARTS CATALOG

Illus. Page 23-335

BODY

REF. NO.	QTY	PART NUMBER	DESCRIPTION
1	1	2933 340-1	MOULDING PACKAGE, Fender Side Rear (12-15-2)
	3	6002 684	Retainer
2	1	2933 346-7	MOULDING PACKAGE, Fender Whl. Opng. (12-15-2)
	16	6027 413	Screw
3	1	2933 330-1	MOULDING PACKAGE, Fender Side Front (12-15-2)
	3	6025 665	Nut
	1	6002 810	Retainer
	2	6002 812	Retainer
	3	6024 271	Screw
4	1	2933 332-3	PANEL PACKAGE, Fender Side Front Finish (12-15-2)
	1	6025 665	Nut
	1	6002 810	Retainer
	2	6002 812	Retainer
	3	6024 271	Screw
5	1	2898 187	MEDALLION, Radiator Grille (7-17-1)
	3	9414 722	Screw
6	1	2898 838	LETTER "C", Hood Front Name (15-06-16)
	1	2898 839	"H"
	2	2898 840	"R"
	1	2898 841	"Y"
	1	2898 842	"S"
	1	2898 843	"L"
	1	2898 844	"E"
	8	9420 254	Nut
7	1	2893 077	MOULDING, Windshield Outside, Upr. (23-23-65)
	7	6002 688	Retainer
8	1	2898 828	MOULDING, Hood Top Rear (15-25-2)
9	1	2933 334-5	MOULDING PACKAGE, Fender Peak (12-15-2)
	18	6002 713	Clip
10	1	2949 488-9	MOULDING, Fender Hood Extension (12-15-2)
11	1	2933 963	MOULDING PACKAGE, Windshield Outside, Lwr. (23-23-65)
	1	3419 448	MOULDING PACKAGE, Windshield Outside Lwr. Ctr. and Ends, AFTER Type (23-23-65)
	5	9418 246	Screw
11A	1	3439 034-5	MOULDING, Windshield Lwr. End (23-23-65)
	2	6024 271	Screw w/Seal
12	1	2933 964-5	MOULDING PACKAGE, Windshield Outside, Side (23-23-65)
	6	2900 275	Spacer
	6	6002 688	Screw
13	1	2933 412-3	MOULDING PACKAGE, Body Frt. Pillar Drain Trough (23-59-61)
	6	6027 459	Screw
14	1	2933 940-1	MOULDING PACKAGE, Frt. Door Outside Belt (23-23-32)
	14	6002 713	Clip
15	1	2893 698-9	MOULDING, Frt. Door Wdo. Opng. Frame, Upr. (23-23-32)
16	1	2893 700-1	MOULDING, Frt. Door Wdo. Opng. Frame, Rear (23-23-32)

REF. NO.	QTY	PART NUMBER	DESCRIPTION
17	1	2893 700	MOULDING, Rear Door Wdo. Opng. Frame, Frt., Lt. (23-23-33)
	1	2893 701	MOULDING, Rear Door Wdo. Opng. Frame, Frt., Rt.
18	1	2933 464-5	MOULDING and T/PLATE PACKAGE, Rear Door Outside Belt Frt. to Rear (23-23-33)
	14	6002 713	Retainer
19	1	2893 708-9	MOULDING, Rear Door Wdo. Opng. Frame, Upr. (23-23-33)
20	1	#3419 362-3	MOULDING PACKAGE, Roof Side Drain Trough, Front and Rear (23-59-61)
	4	6024 659	Screw
21	1	2893 712-3	MOULDING, Rear Door Wdo. Opng. Frame, Rr. (23-23-33)
22	1	3419 314-5	MOULDING PACKAGE, Qtr. Outside Belt, Frt., Argent, use w/Vinyl Roof and Two Tone Paint (23-23-39)
	2	6001 596	Retainer
	2	9420 254	Nut
	8	6002 192	Fastener
23	1	3419 316-7	MOULDING PACKAGE, Qtr. Outside Belt, Rear, Argent, use w/Vinyl Roof and Two Tone Paint (23-23-39)
	4	6023 898	Screw
	2	6024 740	Seal
	2	9420 293	Nut
24	1	3419 318-9	MOULDING PACKAGE, Deck Opng. Upr. Pnl., Argent, use w/Vinyl Roof and Two Tone Paint (23-23-31)
	9	6002 709	Retainer
	9	9426 925	Nut
25	1	2933 498-9	MOULDING PACKAGE, Rear Wdo. Outside, Upr. (23-23-52)
	8	6002 686	Retainer
26	1	2933 502-3	MOULDING PACKAGE, Rear Wdo. Outside, Side and Lwr. (23-23-52)
	16	6002 686	Retainer
27	1	3444 274	NAME PLATE, Deck Lid, "New Yorker" (23-19-114)
	2	6000 050	Clip
27A	1	2900 088	APPLIQUE, Deck Opng. Lwr. Pnl. (23-34-184)
	1	2900 092	BEZEL, Deck Opng. Lwr. Pnl. Applique (23-34-184)
	6	6025 002	Nut and Washer
28	1	3419 144	MOULDING PACKAGE, Deck Opng. Lwr. Pnl. (23-23-31)
	7	6028 013	Screw

CONTINUED ON NEXT PAGE

**All Packages Include Attaching Parts
Part Type Code is Indicated in Parentheses**

EXTERIOR VIEW - CHRYSLER NEW YORKER C-H 4 DOOR SEDAN

1969 PASSENGER CAR PARTS CATALOG

BODY

REF. NO.	QTY	PART NUMBER	DESCRIPTION
29	1	3419 142-3	MOULDING PACKAGE, Deck Lid Outside (23-23-30)
	12	9418 105	Nut
30	1	3419 140-1	MOULDING PACKAGE, Qtr. Pnl. End Extension (23-23-39)
	6	6026 166	Nut
	6	6027 127	Screw
	2	9425 212	Screw
31	1	2901 494-5	PANEL, Qtr. Outside Rear Finish (23-23-85)
	6	6024 271	Screw
32	1	2933 942-3	MOULDING PACKAGE, Qtr. Outside, Rear (23-23-39)
	6	6002 684	Retainer
	2	6002 732	Retainer
33	1	3419 012-3	MOULDING PACKAGE, Qtr. Outside Whl. Opng. (23-23-39)
	10	6024 271	Screw
34	2	2964 597	NAME PLATE, Qtr. Outside Panel, "New Yorker" (23-34-238)
	4	9420 263	Nut

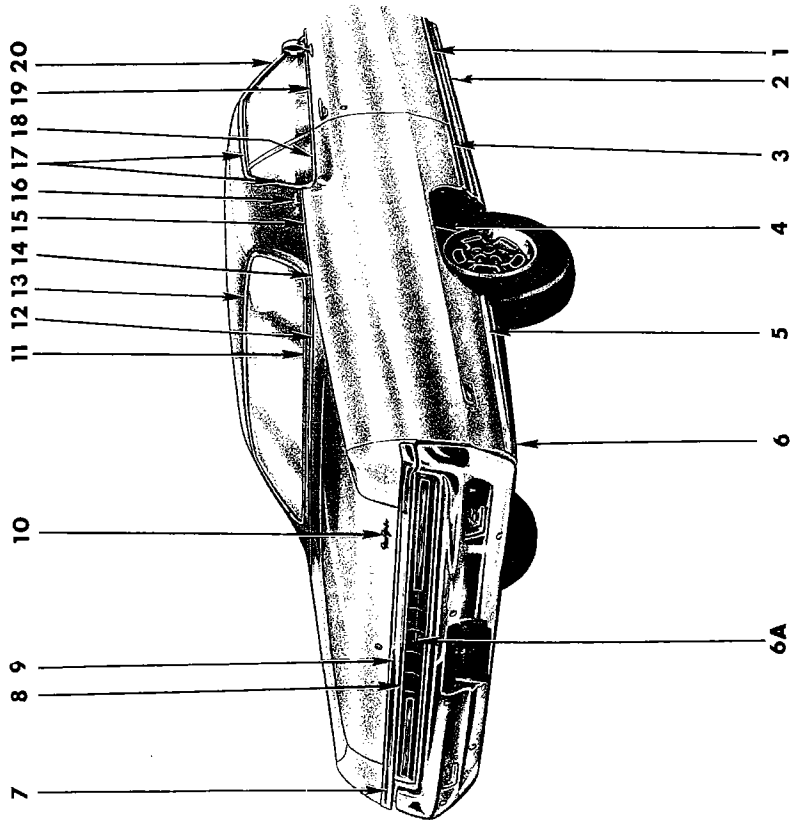
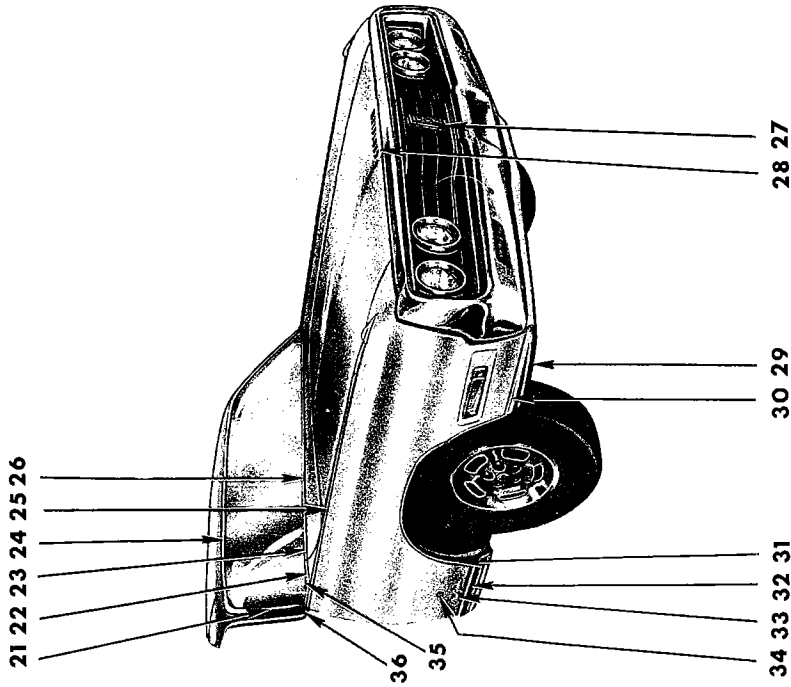
REF. NO.	QTY	PART NUMBER	DESCRIPTION
35	1	2933 996-7	MOULDING PACKAGE, Qtr. Outside, Frt. (23-23-39)
	4	6001 620	Retainer
	4	9420 867	Nut
36	1	2933 982-3	MOULDING PACKAGE, Rear Door Outside (23-23-33)
	4	6002 684	Retainer
	6	6002 791	Retainer
37	1	2933 980-1	MOULDING PACKAGE, Frt. Door Outside (23-23-32)
	8	6002 684	Retainer
	4	6002 791	Retainer
	4	6026 523	Nut
38	1	2933 984-5	PANEL PACKAGE, Body Side Sill Outside Finish (23-23-2)
	18	6002 611	Retainer
	4	6026 221	Screw
39	1	3419 482-3	MOULDING PACKAGE, Body Frt. Lwr. Pillar (23-23-14)
	2	6024 271	Screw w/Seal

All Packages Include Attaching Parts

Part Type Code is Indicated in Parentheses

EXTERIOR VIEW - CHRYSLER NEW YORKER C-H 4 DOOR SEDAN

19a2565A



EXTERIOR VIEW - CHRYSLER NEW YORKER C-H 2 DOOR HARDTOP

REF. NO.	QTY	PART NUMBER	DESCRIPTION
1	1	2933 978-9	MOULDING PACKAGE, Door Outside (23-23-32)
	8	6002 684	Retainer
	4	6002 791	Retainer
	4	6026 523	Nut
2	1	2933 984-5	MOULDING PACKAGE, Body Side Sill Outside Finish (23-23-2)
	18	6002 611	Retainer
	4	6026 221	Screw
3	1	2933 994-5	MOULDING PACKAGE, Qtr. Outside, Frt. (23-23-39)
	6	6002 684	Retainer
	2	6002 802	Retainer
	2	9420 867	Nut
4	1	3419 012-3	MOULDING PACKAGE, Qtr. Outside Wheel Opening (23-23-39)
	10	6024 271	Screw
5	1	2933 942-3	MOULDING PACKAGE, Qtr. Outside, Rear (23-23-39)
	6	6002 684	Retainer
	2	6002 732	Retainer
6	1	2901 494-5	PANEL, Qtr. Outside Rear Finish (23-23-85)
	6	6024 271	Screw
6A	1	2930 088	APPLIQUE, Deck Opng., Lwr. Pnl. (23-34-184)
	1	2930 092	Bezel, Deck Opng., Lwr. Pnl. Applique (23-34-184)
	6	6025 002	Nut and Washer
7	1	3419 140-1	MOULDING PACKAGE, Qtr. Pnl. End Extension(23-23-39)
	6	6026 166	Nut
	6	6027 127	Screw
	2	9425 212	Screw
8	1	3419 144	MOULDING PACKAGE, Deck Opng. Lwr. Panel (23-23-31)
	7	6028 013	Screw
9	1	3419 142-3	MOULDING PACKAGE, Deck Outside (23-23-30)
	12	9418 105	Nut
10	1	3444 274	NAME PLATE, Deck Lid, "New Yorker" (23-19-114)
	2	6000 050	Clip
11	1	2933 546-7	MOULDING PACKAGE, Rear Wdo. Opng., Lwr. (23-23-52)
	12	6002 686	Retainer and Screw
12	1	3419 320-1	MOULDING PACKAGE, Deck Opng. Upr. Pnl., Argent, use w/Vinyl Roof and Two Tone Paint (23-23-31)
	7	6002 709	Retainer
	7	9426 925	Nut
13	1	2933 544-5	MOULDING PACKAGE, Rear Wdo. Opng., Upr. (23-23-52)
	12	6002 686	Retainer and Screw
14	1	3419 312-3	MOULDING PACKAGE, Qtr. Outside Belt, Rear, Argent, use w/Vinyl Roof and Two Tone Paint (23-23-39)
	4	6023 898	Screw
	2	6024 740	Seal
	2	9420 293	Nut

All Packages Include Attaching Parts

REF. NO.	QTY	PART NUMBER	DESCRIPTION
15	1	3419 310-1	MOULDING PACKAGE, Qtr. Outside Belt, Frt., Argent, use w/Vinyl Roof and Two Tone Paint (23-23-39)
	2	6001 596	Retainer and Seal
	6	6002 192	Fastener
	2	9420 254	Nut
16	2	2964 597	NAME PLATE, Qtr. Outside Panel, "New Yorker", w/Vinyl Roof (23-34-238)
	4	9420 263	Nut
17	1	3419 358-9	MOULDING PACKAGE, Roof Side Drain Trough, Front and Rear (23-59-61)
	4	6024 659	Screw
18	1	2933 374-5	MOULDING PACKAGE, Qtr. Wdo. O/Side Belt, w/Filler (23-23-39)
	6	6002 713	Clip and Seal
19	1	2933 938-9	MOULDING PACKAGE, Door Outside Belt (23-23-32)
	16	6002 713	Clip
20	1	#2933 370-1	MOULDING PACKAGE, Body Front Pillar Drain Trough (23-59-61)
	6	6027 459	Screw
21	1	2933 966-7	MOULDING PACKAGE, Windshield Outside, Side (23-23-65)
	6	2900 275	Spacer
	6	6002 688	Screw
22	1	2949 488-9	MOULDING, Fender Hood Extension (12-15-2)
23	1	2933 963	MOULDING PACKAGE, Windshield Outside, Lower (23-23-65)
	1	3419 448	MOULDING PACKAGE, Windshield Outside Lwr. Center and Ends, After Type (23-23-65)
	5	9418 246	Screw
24	1	2893 077	MOULDING, Windshield Outside, Upr. (23-23-65)
	7	6002 688	Retainer
25	1	2933 334-5	MOULDING PACKAGE, Fender Peak (12-15-2)
	18	6002 713	Clip
26	1	2898 828	MOULDING, Hood Top Rear (15-25-2)
27	1	2898 187	MEDALLION, Radiator Grille (7-17-1)
	2	9414 722	Screw

CONTINUED ON NEXT PAGE

Part Type Code is Indicated in Parentheses

1969 PASSENGER CAR PARTS CATALOG

BODY

REF. NO.	QTY	PART NUMBER	DESCRIPTION
28	1	2898 838	LETTER "C", Hood Front (15-06-16)
	1	2898 839	"H"
	2	2898 840	"R"
	1	2898 841	"Y"
	1	2898 842	"S"
	1	2898 843	"L"
	1	2898 844	"E"
	8	9420 254	Nut
29	1	2933 332-3	PANEL PACKAGE, Fender Side Front Finish (12-15-2)
	1	6025 665	Nut
	1	6002 810	Retainer
	2	6002 812	Retainer
	3	6024 271	Screw

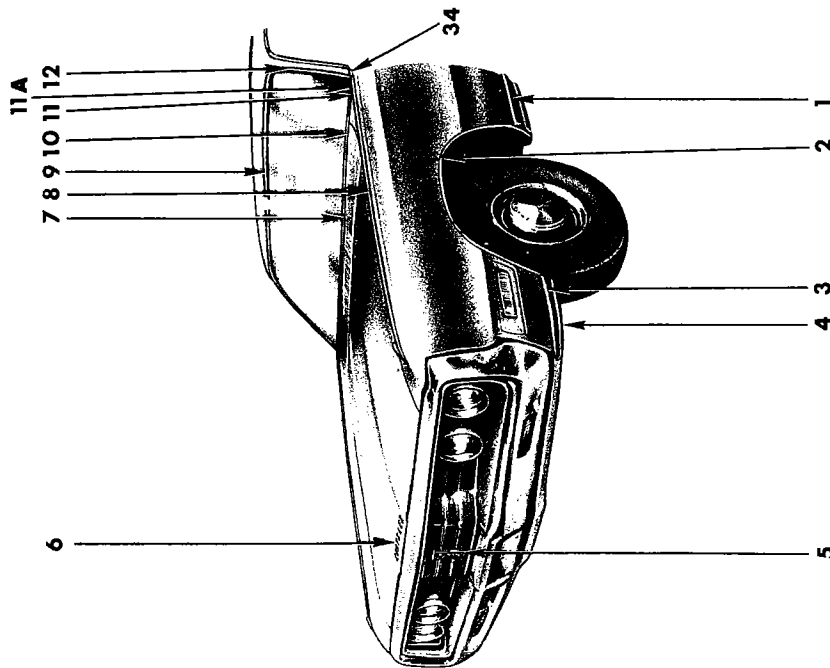
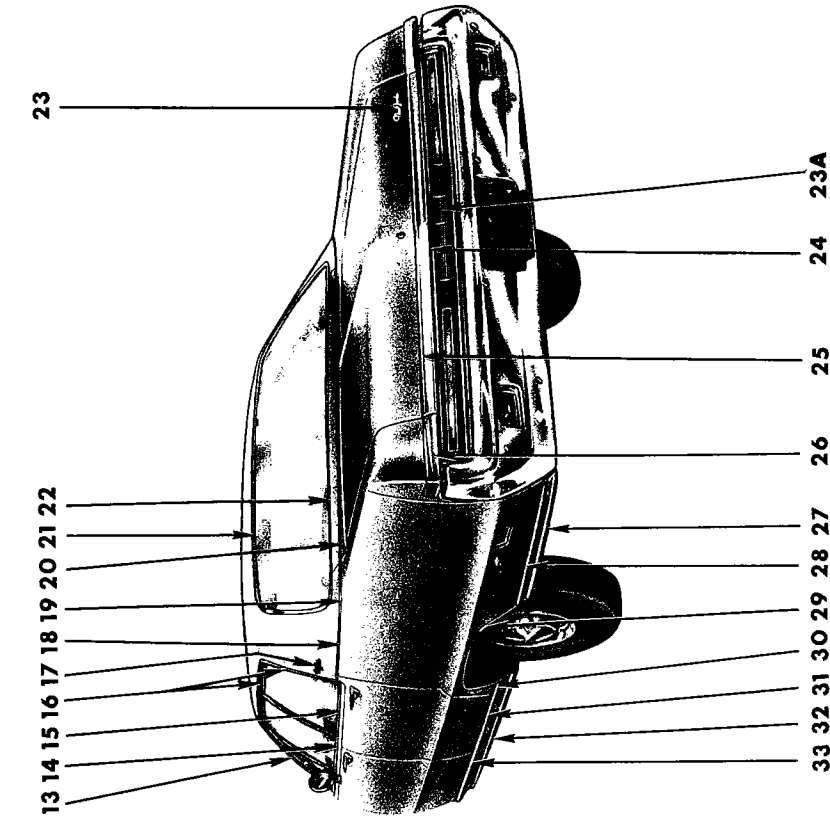
REF. NO.	QTY	PART NUMBER	DESCRIPTION
30	1	2933 330-1	MOULDING PACKAGE, Fender Side Front (12-15-2)
	3	6025 665	Nut
	1	6002 810	Retainer
	2	6002 812	Retainer
	3	6024 271	Screw
31	1	2933 346-7	MOULDING PACKAGE, Fender Wheel Opening (12-15-2)
	16	6027 413	Screw
32	1	2933 340-1	MOULDING PACKAGE, Fender Side Rear (12-15-2)
	3	6002 684	Retainer
33	2	2783 603	NAME PLATE, Fender (12-15-21)
	6	6000 050	Clip
34	1	2785 540	MEDALLION, Fender Side (12-15-21)
	1	6026 404	Nut
35	1	3439 034-5	MOULDING, Windshield Lwr., End (23-23-65)
	2	6024 271	Screw, w/Seal
36	1	3419 482-3	MOULDING PACKAGE, Body Frt. Lwr. Pillar (23-23-14)
	2	6027 271	Screw, w/Seal

All Packages Include Attaching Parts

Part Type Code is Indicated in Parentheses

EXTERIOR VIEW - CHRYSLER NEW YORKER C-H 2 DOOR HARDTOP

19a2527A



EXTERIOR VIEW - CHRYSLER NEW YORKER C-H 4 DOOR HARDTOP

REF. NO.	QTY	PART NUMBER	DESCRIPTION	REF. NO.	QTY	PART NUMBER	DESCRIPTION
1	1	2933 340-1	MOULDING PACKAGE, Fender Side Rear (12-15-2)	15	1	2933 464-5	MOULDING and T/PLATE PACKAGE, Rear Door Outside Belt Frt. to Rear (23-23-33)
	3	6002 684	Retainer		14	6002 713	Retainer
2	1	2933 346-7	MOULDING PACKAGE, Fender Wheel Opening (12-15-2)	16	1	#3419 352-3	MOULDING PACKAGE, Roof Side Drain Trough, Front and Rear (23-59-61)
	16	6027 413	Screw		4	6027 459	Screw
3	1	2933 330-1	MOULDING PACKAGE, Fender Side Front (12-15-2)	17	2	2964 597	NAME PLATE, Qtr. Outside Panel, "New Yorker" (23-34-238)
	3	6025 665	Nut		4	9420 263	Nut
	1	6002 810	Retainer	18	1	3419 314-5	MOULDING PACKAGE, Qtr. Outside Belt, Frt., Argent, use w/Vinyl Roof and Two Tone Paint (23-23-39)
	2	6002 812	Retainer		2	6001 596	Retainer
	3	6024 271	Screw		2	9420 254	Nut
4	1	2933 332-3	PANEL PACKAGE, Fender Side Front Finish (12-15-2)		8	6002 192	Fastener
	1	6025 665	Nut	19	1	3419 316-7	MOULDING PACKAGE, Qtr. Outside Belt, Rear, Argent, use w/Vinyl Roof and Two Tone Paint (23-23-39)
	1	6002 810	Retainer		4	6023 898	Screw
	2	6002 812	Retainer		2	6024 740	Seal
	3	6024 271	Screw		2	9420 293	Nut
5	1	2898 187	MEDALLION, Radiator Grille (7-17-1)	20	1	3419 318-9	MOULDING PACKAGE, Deck Opng. Upr. Pnl., Argent, use w/Vinyl Roof and Two Tone Paint (23-23-31)
	3	9414 722	Screw		9	6002 709	Retainer
6	1	2898 838	LETTER "C", Hood Front (15-06-16)		9	9426 925	Nut
	1	2898 839	"H"	21	1	2933 506-7	MOULDING PACKAGE, Rear Wdo. Outside, Side and Upr. (23-23-52)
	2	2898 840	"R"		12	6002 686	Retainer
	1	2898 841	"Y"	22	1	2933 504-5	MOULDING PACKAGE, Rear Wdo. Outside, Lower (23-23-52)
	1	2898 842	"S"		16	6002 686	Retainer
	1	2898 843	"L"	23	1	3444 274	NAME PLATE, Deck Lid, "New Yorker" (23-19-114)
	1	2898 844	"E"		2	6000 050	Clip
	8	9420 254	Nut	23A	1	2930 088	APPLIQUE, Deck Opng. Lwr. Pnl. (23-34-184)
7	1	2898 828	MOULDING, Hood Top Rear (15-25-2)		1	2930 092	BEZEL, Deck Opng. Lwr. Pnl. Applique (23-34-184)
	9	6002 713	Clip		6	6025 002	Nut and Washer
8	1	2933 334-5	MOULDING PACKAGE, Fender Peak	24	1	3419 144	MOULDING PACKAGE, Deck Opng. Lwr. Pnl. (23-23-31)
	9	6002 713	Clip		7	6028 013	Screw
9	1	2893 077	MOULDING, Windshield Outside, Upr. (23-23-65)	25	1	3419 142-3	MOULDING PACKAGE, Deck Lid Outside (23-23-30)
	7	6002 688	Retainer		12	9418 105	Nut
10	1	2949 488-9	MOULDING, Fender Hood Extension Rear (12-15-2)	26	1	3419 140-1	MOULDING PACKAGE, Qtr. Pnl. End Ext. (23-23-39)
	1	2933 963	MOULDING PACKAGE, Windshield Outside, Lwr. (23-23-65)		6	6026 166	Nut
	1	3419 448	MOULDING PACKAGE, Windshield Outside Lwr. Ctr. and Ends, AFTER Type (23-23-65)		6	6027 127	Screw
	5	9418 246	Screw		2	9425 212	Screw
11A	1	3439 034-5	MOULDING, Windshield Lwr. End (23-23-65)				
	2	6024 271	Screw w/Seal				
12	1	2933 966-7	MOULDING PACKAGE, Windshield Outside, Side (23-23-65)				
	6	2900 275	Spacer				
	6	6002 688	Screw				
13	1	2933 414-5	MOULDING PACKAGE, Body Frt. Pillar Drain Trough (23-59-61)				
	6	6027 459	Screw				
14	1	2933 940-1	MOULDING PACKAGE, Frt. Door Outside Belt (23-23-32)				
	14	6002 713	Clip				

All Packages Include Attaching Parts

Part Type Code is Indicated in Parentheses

CONTINUED ON NEXT PAGE

EXTERIOR VIEW - CHRYSLER NEW YORKER C-H 4 DOOR HARDTOP

1969 PASSENGER CAR PARTS CATALOG

BODY

REF. NO.	QTY	PART NUMBER	DESCRIPTION
27	1	2901 494-5	PANEL, Qtr. Outside Rear Finish (23-23-85)
	6	6024 271	Screw
28	1	2933 942-3	MOULDING PACKAGE, Qtr. Outside, Rear (23-23-39)
	6	6002 684	Retainer
	2	6002 732	Retainer
29	1	3419 012-3	MOULDING PACKAGE, Qtr. Outside Wheel Opng. (23-23-39)
	10	6024 271	Screw
30	1	2933 996-7	MOULDING PACKAGE, Qtr. Outside, Frt. (23-23-39)
	4	6001 620	Retainer
	4	9420 867	Nut

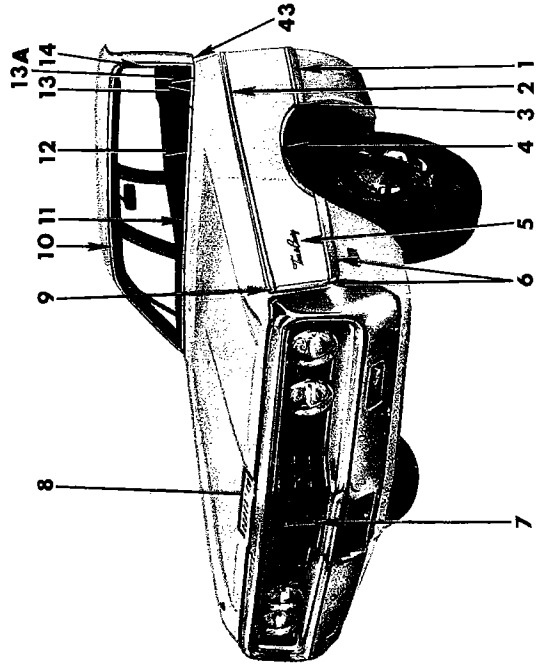
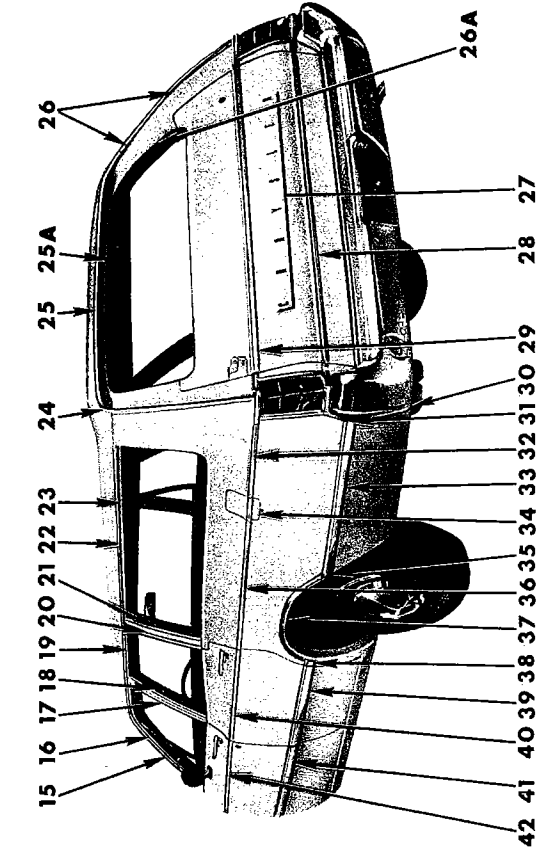
REF. NO.	QTY	PART NUMBER	DESCRIPTION
31	1	2933 982-3	MOULDING PACKAGE, Rear Door Outside (23-23-33)
	4	6002 684	Retainer
	6	6002 791	Retainer
32	1	2933 984-5	MOULDING PACKAGE, Body Side Sill Outside Finish (23-23-2)
	18	6002 611	Retainer
	4	6026 221	Screw
33	1	2933 980-1	MOULDING PACKAGE, Frt. Door Outside (23-23-32)
	8	6002 684	Retainer
	4	6002 791	Retainer
	4	6026 523	Nut
34	1	3419 482-3	MOULDING PACKAGE, Body Frt. Lwr. Pillar (23-23-14)
	2	6024 271	Screw w/Seal

All Packages Include Attaching Parts

Part Type Code is Indicated in Parentheses

EXTERIOR VIEW - CHRYSLER NEW YORKER C-H 4 DOOR HARDTOP

19a2547A



EXTERIOR VIEW - CHRYSLER TOWN AND COUNTRY C-P STATION WAGON

REF. NO.	QTY	PART NUMBER	DESCRIPTION	REF. NO.	QTY	PART NUMBER	DESCRIPTION
1	1	2933 350-1	MOULDING PACKAGE, Fender Side Rear (use w/o Opt. Ornament Pkg.) (12-15-2)	16	1	2893 698-9	MOULDING, Frt. Door Wdo. Opng. Frame, Upr. (23-23-32)
	8	6002 720	Retainer	17	1	2893 700-1	MOULDING, Frt. Door Wdo. Opng. Frame, Rr. (23-23-32)
2	1	2933 348-9	MOULDING PACKAGE, Fender Side (12-15-2)	18	1	2893 700	MOULDING, Rear Door Wdo. Opng. Frame, Frt., Lt. (23-23-33)
	2	9420 219	Nut		1	2893 701	MOULDING, Rear Door Wdo. Opng. Frame, Frt., Rt.
	2	6002 724	Retainer	19	1	2893 724-5	MOULDING, Rear Door Wdo. Opng. Frame, Upr. (23-23-33)
	7	6002 726	Retainer	20	1	2893 728-9	MOULDING, Rear Door Wdo. Opng. Frame, Rr. (23-23-33)
3	1	2933 352-3	MOULDING PACKAGE, Fender Wheel Opening Rear (use w/o Opt. Orna. Pkg.) (12-15-2)	21	1	2893 256-7	MOULDING, Qtr. Wdo. Outside, Prime Frt. (23-23-73)
	2	9420 293	Nut		1	2894 870-1	MOULDING, Qtr. Wdo. Outside, Frt., Finish (23-23-73)
	2	6027 413	Screw	22	1	2902 390-1	MOULDING, Roof Side Drain Trough (23-59-61)
4	1	2933 354-5	MOULDING PACKAGE, Fender Wheel Opening (use w/o Opt. Orna. Pkg.) (12-15-2)	23	1	2893 258-9	MOULDING, Qtr. Wdo. Outside, Prime Upr. (23-23-73)
	6	6027 413	Screw		1	2894 872-3	MOULDING, Qtr. Wdo. Outside, Upr., Finish (23-23-73)
5	2	2902 894	NAME PLATE, Fender Front (12-15-21)	24	1	2894 416-7	MOULDING, Roof Rear Air Deflector, End, (23-23-60)
	8	9420 263	Nut	25	1	2894 418	MOULDING, Roof Rear Air Deflector, Center (23-23-60)
6	1	2933 356-7	MOULDING PACKAGE, Fender Side Front (use w/o Opt. Orna. Pkg.) (12-15-2)	26A	1	2894 442-3	MOULDING, Qtr. Pnl. Outside Tailgate Pillar Upr. Tailgate Opng., Prime (23-23-60)
	8	6027 466	Nut	26	1	2894 592-3	MOULDING, Qtr. Pnl. Outside Tailgate Pillar Upr., use w/o Assist Handle (23-23-60)
	2	6023 895	Screw		6	6002 665	Spacer
	8	6024 735	Seal		1	3419 066-7	MOULDING PACKAGE, Qtr. Pnl. Outside Tailgate Pillar Upr. Short, use w/Assist Handle (23-23-60)
7	1	2898 187	MEDALLION, Radiator Grille (7-17-1)	25A	2	6002 665	Spacer
	3	9414 722	Screw		1	2894 445	MOULDING, Roof Pnl. Outside Tailgate Opng. Upr., Prime (23-23-60)
8	1	2898 838	LETTER "C", Hood Front (15-06-16)	27	1	2898 838	LETTER "C", Tailgate (23-54-11)
	1	2898 839	"H"		1	2898 839	"H"
	2	2898 840	"R"		2	2898 840	"R"
	1	2898 841	"Y"		1	2898 841	"Y"
	1	2898 842	"S"		1	2898 842	"S"
	1	2898 843	"L"		1	2898 843	"L"
	1	2898 844	"E"		1	2898 844	"E"
	8	9420 254	Nut		8	9420 263	Nut
9	1	2933 926-7	MOULDING PACKAGE, Fender Side Upper Front (use w/o Opt. Orna. Pkg.) (12-15-2)	28	1	2933 911	MOULDING PACKAGE, Tailgate Lwr. (23-23-61)
	1	6000 960	Clip		2	6002 724	Retainer
	1	6023 895	Screw		5	6002 726	Retainer
10	1	2893 077	MOULDING, Windshield Outside, Upr. (23-23-65)		4	6026 523	Nut
	7	6002 688	Retainer	29	1	2933 910	MOULDING PACKAGE, Tailgate Upr. (23-23-61)
11	1	2933 963	MOULDING PACKAGE, Windshield Outside Lwr. (23-23-65)		1	6002 724	Retainer
	1	3419 448	MOULDING PACKAGE, Windshield Outside Lwr. Ctr. and Ends. After Type (23-23-65)		5	6002 726	Retainer
	5	9418 246	Screw		2	6026 523	Nut
12	1	2898 828	MOULDING, Hood Top Rear (15-25-2)		1	2933 954-5	MOULDING PACKAGE, Qtr. Outside Rear Lwr. (23-23-39)
13	1	2949 488-9	MOULDING, Fender Hood Extension Rear (12-15-2)		2	6027 564	Screw
13A	1	3439 034-5	MOULDING, Windshield Lwr. End. (23-23-65)	31	1	3419 002-3	MOULDING PACKAGE, Qtr. Outside Rear Lwr. (23-23-39)
	2	6024 271	Screw, w/Seal		2	6023 895	Screw
14	1	2933 964-5	MOULDING PACKAGE, Windshield Outside, Side (23-23-65)				CONTINUED ON NEXT PAGE
	6	2900 275	Spacer				
	6	6002 688	Screw				
15	1	2933 412-3	MOULDING PACKAGE, Body Frt. Pillar Drain Trough (23-59-61)				
	6	6027 459	Screw				

All Packages Include Attaching Parts

Part Type Code is Indicated in Parentheses

EXTERIOR VIEW - CHRYSLER TOWN AND COUNTRY C-P STATION WAGON

1969 PASSENGER CAR PARTS CATALOG

REF. NO.	QTY	PART NUMBER	DESCRIPTION
32	1	2933 849	MOULDING PACKAGE, Qtr. Outside Upr. Rear., Lt. (23-23-39)
	3	6002 726	Retainer
33	1	3419 018-9	MOULDING PACKAGE, Qtr. Outside Lwr., Frt. (23-23-39)
	14	6002 720	Retainer
34	1	2933 851	MOULDING PACKAGE, Qtr. Outside Fuel Filler Door, Lt. (23-23-39)
	1	6002 724	Retainer
	1	6024 679	Nut
35	1	3419 020-1	MOULDING PACKAGE, Qtr. Outside Wheel Opng. Rear (23-23-39)
	6	6024 271	Screw
36	1	2933 834	MOULDING PACKAGE, Qtr. Outside Upr., Rt. (23-23-39)
	5	6002 726	Retainer
	1	2933 853	MOULDING PACKAGE, Qtr. Outside Upr. Frt., Lt. (23-23-39)
	7	6002 726	Retainer
37	1	3419 022-3	MOULDING PACKAGE, Qtr. Outside Wheel Opng. (23-23-39)
	4	6023 985	Screw
	12	6024 271	Screw

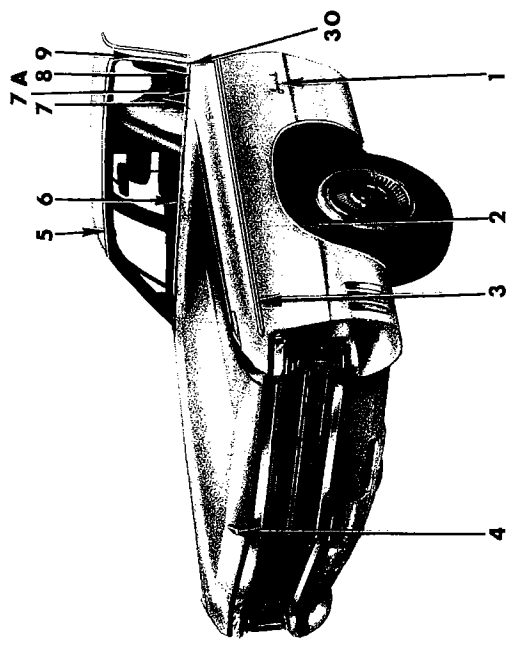
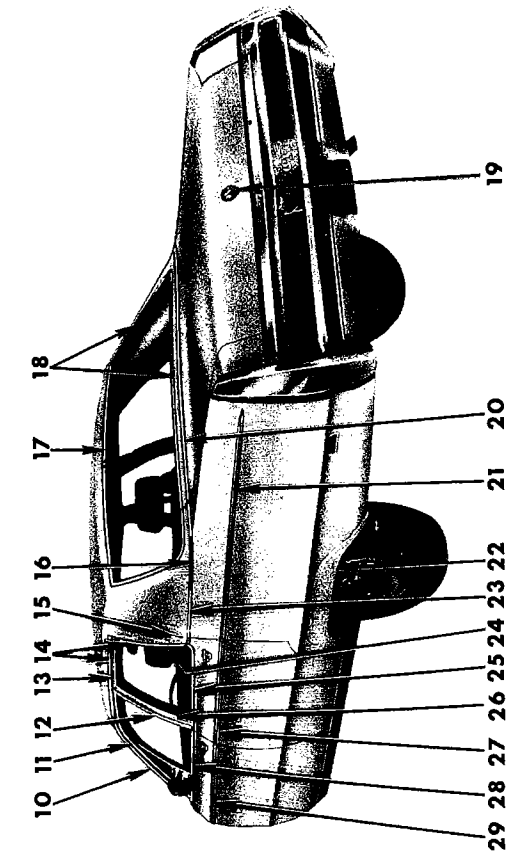
REF. NO.	QTY	PART NUMBER	DESCRIPTION
38	1	3419 024-5	MOULDING PACKAGE, Qtr. Outside Wheel Opng. Frt. (23-23-39)
	2	6024 271	Screw
39	1	3419 016-7	MOULDING PACKAGE, Rear Door Outside Lwr. (23-23-33)
	6	6002 720	Retainer
	2	6002 763	Retainer
	2	6002 828	Retainer
	2	6026 523	Nut
40	1	2933 846-7	MOULDING PACKAGE, Rear Door Outside Upr.(23-23-33)
	4	6002 724	Retainer
	4	6002 726	Retainer
41	1	3419 014-5	MOULDING PACKAGE, Frt. Door Outside Lwr. (23-23-32)
	10	6002 720	Retainer
	2	6002 724	Retainer
	2	6026 523	Nut
42	1	2933 844-5	MOULDING PACKAGE, Frt. Door Outside Upr. (23-23-32)
	2	6002 724	Retainer
	10	6002 726	Retainer
	2	6026 523	Nut

All Packages Include Attaching Parts

Part Type Code is Indicated in Parentheses

EXTERIOR VIEW - CHRYSLER TOWN AND COUNTRY C-P STATION WAGON

19a25566



EXTERIOR VIEW - IMPERIAL CROWN Y-M 4 DOOR SEDAN

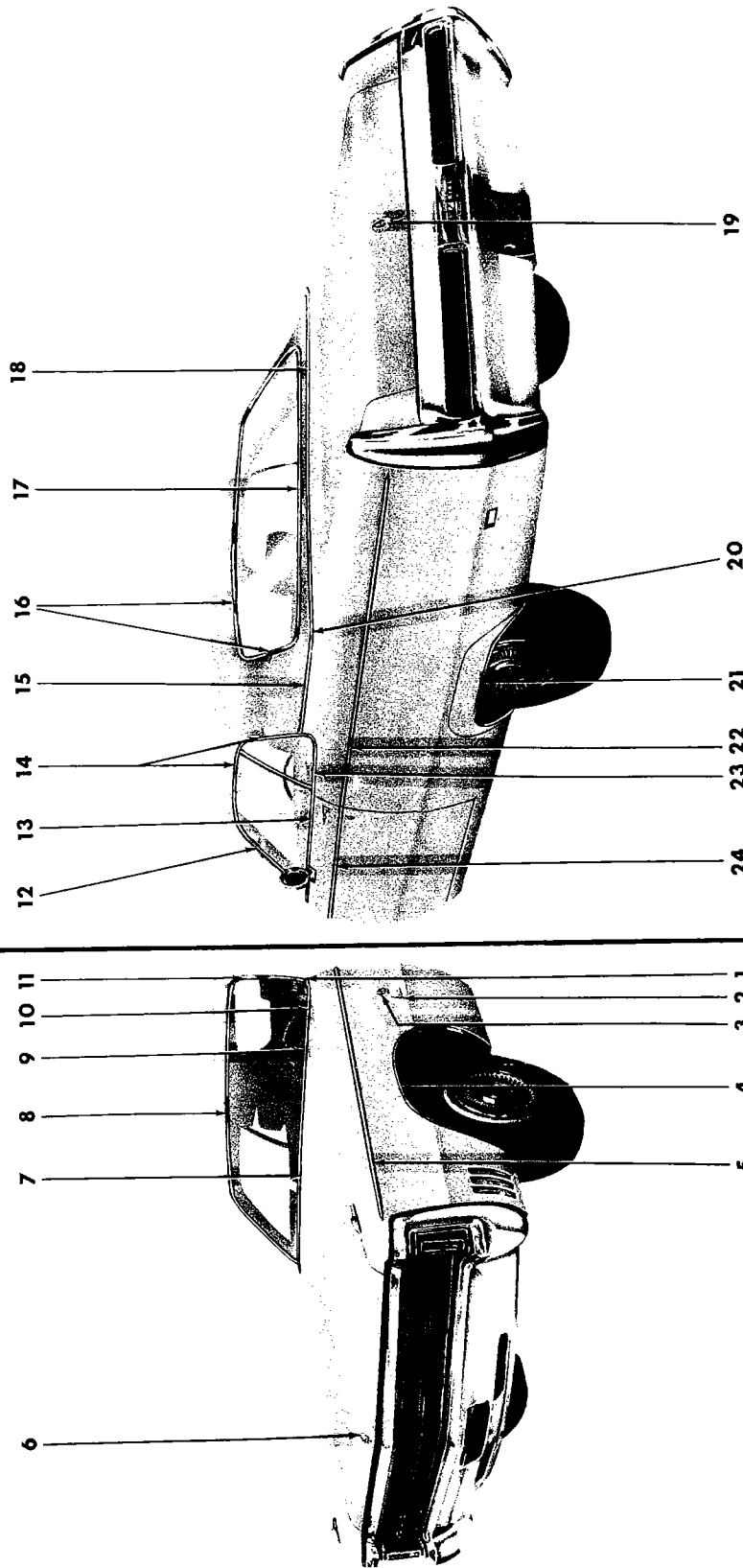
REF. NO.	QTY	PART NUMBER	DESCRIPTION
1	2	2901 544	NAME PLATE, Fender (Imperial) (12-15-21)
2	1	2933 276-7	MOULDING PACKAGE, Fender Wheel Opening (12-15-2)
	7	6024 271	Screw
3	2	2933 278	MOULDING PACKAGE, Fender Side (12-15-2)
	9	6002 754	Retainer
	1	6002 784	Retainer, w/Seal
	9	6024 271	Screw
4	1	2898 836	ORNAMENT, Hood Frt. (15-03-18)
	1	9420 278	Nut
5	1	2893 077	MOULDING, Windshield Outside, Upr. (23-23-65)
	7	6002 688	Retainer
6	1	2898 828	MOULDING, Hood Top Rear (15-25-2)
7	1	2949 488-9	MOULDING, Fender Hood Ext. Rear (12-15-2)
7A	1	3439 034-5	MOULDING, Windshield Lwr. End (23-23-65)
	2	6024 271	Screw, w/Seal
8	1	2933 963	MOULDING PACKAGE, Windshield Outside, Lwr. (23-23-65)
	1	3419 448	MOULDING PACKAGE, Windshield Outside Lwr. Ctr. and Ends, After Type (23-23-65)
	5	9418 246	Screw
9	1	2933 964-5	MOULDING PACKAGE, Windshield Outside, Side (23-23-65)
	6	2900 275	Spacer
	6	6002 688	Screw
10	1	2933 412-3	MOULDING PACKAGE, Body Frt. Pillar Drain Trough (23-59-61)
	6	6027 459	Screw
11	1	2893 698-9	MOULDING, Frt. Door Wdo. Opng. Frame, Upr. (23-23-32)
12	1	2893 700-1	MOULDING, Frt. Door Wdo. Opng. Frame, Rr. (23-23-32)
13	1	2893 708-9	MOULDING, Rear Door Wdo. Opng. Frame, Upr. (23-23-33)
14	1	#3419 362-3	MOULDING PACKAGE, Roof Side Drain Trough, Front and Rear (23-59-61)
	4	6024 659	Screw
15	2	2901 545	MEDALLION, Qtr. Outside Pnl. (23-34-334)
	4	----	Nut
	4	----	Washer
16	1	2933 392-3	MOULDING PACKAGE, Qtr. Outside Belt, Rear, "Black" (23-23-39)
	1	2933 394-5	"White"
	1	2933 396-7	"Green"
	1	2933 398-9	"Champagne"
	1	2933 400-1	"Blue"
	1	2933 402-3	"Walnut"
	2	9420 293	Nut, w/Seal
17	1	2933 498-9	MOULDING PACKAGE, Rear Wdo. Outside, Upr. (23-23-52)
	8	6002 686	Retainer

All Packages Include Attaching Parts

REF. NO.	QTY	PART NUMBER	DESCRIPTION
18	1	2933 502-3	MOULDING PACKAGE, Rear Wdo. Outside, Side and Lwr. (23-23-52)
	16	6002 686	Retainer
19	1	2945 391	MEDALLION, Deck Lid Lock Cylinder (23-17-19)
20	1	2933 418-9	MOULDING PACKAGE, Deck Opng. Upr. Pnl., "Black" (23-23-31)
	1	2933 420-1	"White"
	1	2933 422-3	"Green"
	1	2933 424-5	"Champagne"
	1	2933 426-7	"Blue"
	1	2933 428-9	"Walnut"
	8	6002 709	Retainer
	8	9426 925	Nut w/Seal
21	1	2933 460-1	MOULDING PACKAGE, Qtr. Outside Frt. and Rear (23-23-39)
	16	6002 754	Retainer
	16	6024 271	Screw
22	1	2933 458-9	MOULDING PACKAGE, Qtr. Outside Whl. Opng. Pnl. (23-23-39)
	10	6024 271	Screw
23	1	2933 378-9	MOULDING PACKAGE, Qtr. Outside Belt, Frt., "Black" (23-23-39)
	1	2933 380-1	"White"
	1	2933 382-3	"Green"
	1	2933 384-5	"Champagne"
	1	2933 386-7	"Blue"
	1	2933 388-9	"Walnut"
	8	6002 192	Fastener
	2	6002 297	Retainer
	4	6023 898	Screw
	2	9420 254	Nut
24	1	2893 712-3	MOULDING, Rear Door Wdo. Opng. Frame, Rr. (23-23-33)
25	1	2933 464-5	MOULDING PACKAGE, Rear Door Outside Belt Frt. to Rear (23-23-33)
	14	6002 713	Retainer
26	1	2893 700	MOULDING, Rear Door Wdo. Opng. Frame, Frt., Lt. (23-23-33)
	1	2893 701	MOULDING, Rear Door Wdo. Opng. Frame, Frt., Rt.
27	1	2933 454-5	MOULDING PACKAGE, Rear Door Outside (23-23-33)
	4	6002 335	Retainer
	6	6002 754	Retainer
	6	6024 271	Screw
28	1	2933 468-9	MOULDING PACKAGE, Frt. Door Outside Belt (23-23-32)
	14	6002 713	Retainer
29	2	2933 452	MOULDING PACKAGE, Frt. Door Outside (23-23-32)
	4	6002 335	Retainer
	20	6002 754	Retainer
	20	6024 271	Screw
	4	6026 523	Nut
30	1	3419 482-3	MOULDING PACKAGE, Body Frt. Lwr. Pillar (23-23-14)
	2	6024 271	Screw, w/Seal

Part Type Code is Indicated in Parentheses

EXTERIOR VIEW - IMPERIAL CROWN Y-M 4 DOOR SEDAN



19a2731

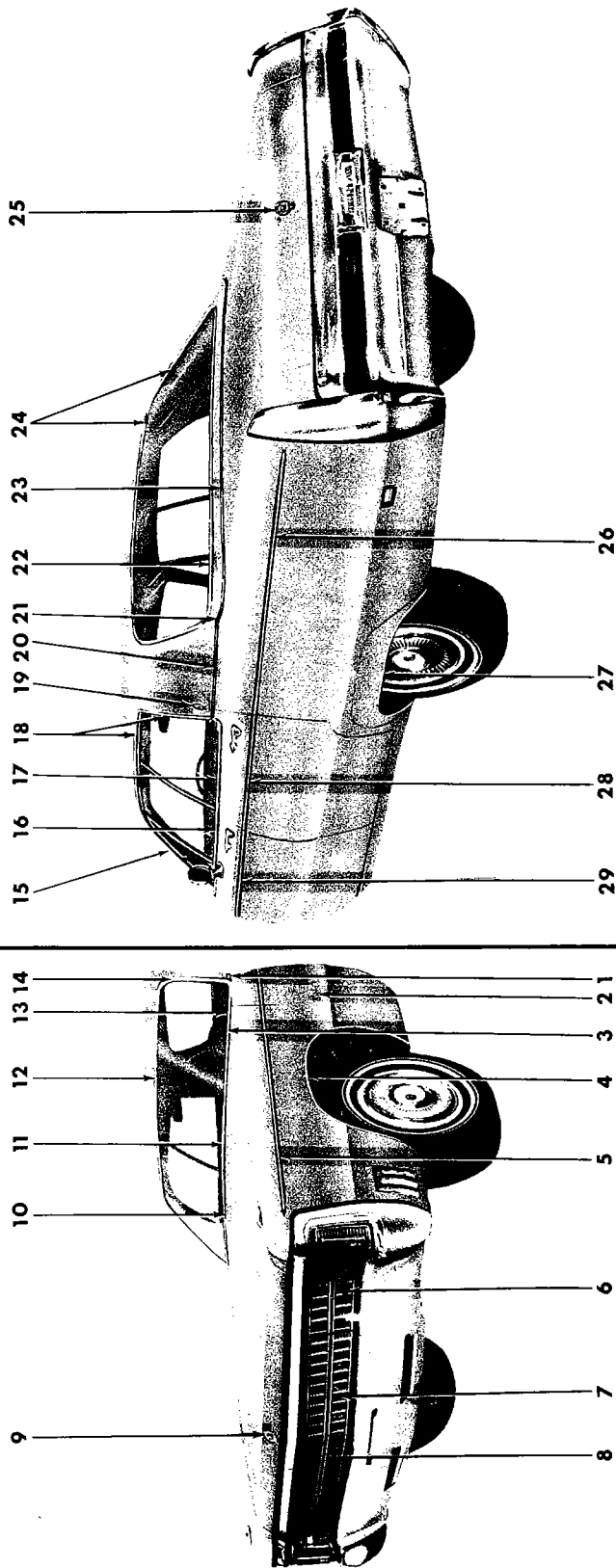
EXTERIOR VIEW - IMPERIAL CROWN 2 DOOR HARDTOP

REF. NO.	QTY	PART NUMBER	DESCRIPTION	REF. NO.	QTY	PART NUMBER	DESCRIPTION
1	1	3419 482-3	MOULDING PACKAGE, Body Frt. Lwr. Pillar (23-23-14)	15	1	2933 300-1	MOULDING PACKAGE, Qtr. Outside Belt, Frt., "Black" (23-23-39)
	2	6024 271	Screw w/Seal		1	2933 302-3	"White"
2	2	2901 544	NAME PLATE, Fender Side (12-15-21)		1	2933 304-5	"Green"
	6	6000 050	Clip		1	2933 306-7	"Champagne"
3	2	2901 545	MEDALLION, Fender Side (12-15-21)		1	3419 310-1	"Argent"
	4	6000 050	Clip		2	----	Nut
4	1	2933 276-7	MOULDING PACKAGE, Fender Wheel Opening (12-15-2)	16	1	2933 544-5	MOULDING PACKAGE, Rear Wdo. Opng., Upr. (23-23-52)
	14	6027 413	Screw		12	6002 686	Retainer & Screw
5	2	2933 278	MOULDING PACKAGE, Fender Side (12-15-2)	17	1	2933 546-7	MOULDING PACKAGE, Rear Wdo. Opng., Lwr. (23-23-52)
	2	9419 784	Nut		12	6002 686	Retainer & Screw
	2	6002 335	Retainer	18	1	2933 358-9	MOULDING PACKAGE, Deck Opng. Upr. Pnl., "Black" (23-23-31)
	2	6002 784	Retainer, w/Seal		1	2933 360-1	"White"
	16	6002 754	Retainer		1	2933 362-3	"Green"
6	1	2898 836	ORNAMENT, Hood Front (15-03-18)		1	2933 364-5	"Champagne"
7	1	2898 828	MOULDING, Hood Top Rear (15-25-2)		1	3419 320-1	"Argent"
8	1	2893 077	MOULDING, Windshield Outside, Upr. (23-23-65)		8	6002 709	Retainer
	7	6002 688	Retainer		8	9426 925	Nut w/Seal
9	1	2933 963	MOULDING PACKAGE, Windshield Outside, Lwr. (23-23-65)	19	1	2945 391	MEDALLION, Deck Lid Lock Cylinder (23-17-19)
	1	3419 448	MOULDING PACKAGE, Windshield Outside Lwr. Ctr. and Ends, AFTER Type (23-23-65)	20	1	2933 312-3	MOULDING PACKAGE, Qtr. Outside Belt, Rr., "Black" (23-23-39)
	5	9418 246	Screw		1	2933 314-5	"White"
10	1	3439 034-5	MOULDING, Windshield Lwr. End (23-23-65)		1	2933 316-7	"Green"
	2	6024 271	Screw w/Seal		1	2933 318-9	"Champagne"
11	1	2933 966-7	MOULDING PACKAGE, Windshield Outside, Side (23-23-65)		1	3419 312-3	"Argent"
	6	2900 275	Spacer		2	----	Nut
	6	6002 688	Screw	21	1	2933 458-9	MOULDING PACKAGE, Qtr. Outside Whl. Opng. Pnl. (23-23-39)
12	1	2933 602-3	MOULDING PACKAGE, Body Frt. Pillar Drain Trough (23-59-61)		10	6024 271	Screw
	6	6027 459	Screw	22	1	2933 462-3	MOULDING PACKAGE, Qtr. Outside, Frt. & Rear (23-23-39)
13	1	2933 466-7	MOULDING PACKAGE, Door Outside Belt (23-23-32)		22	6002 754	Retainer
	16	6002 713	Retainer		22	6024 271	Screw
14	1	3419 358-9	MOULDING PACKAGE, Roof Side Drain Trough, Front and Rear (23-59-61)	23	1	2933 374-5	MOULDING PKG., Qtr. Wdo. Outside Belt, w/Filler (23-23-39)
	4	6024 659	Screw		6	6002 713	Clip and Seal
				24	2	2933 456	MOULDING PACKAGE, Door Outside (23-23-32)
					16	6002 754	Retainer
					16	6024 271	Screw

All Packages Include Attaching Parts

Part Type Code is Indicated in Parentheses

EXTERIOR VIEW - IMPERIAL CROWN 2 DOOR HARDTOP



19a2720

EXTERIOR VIEW - IMPERIAL CROWN 4 DOOR HARDTOP

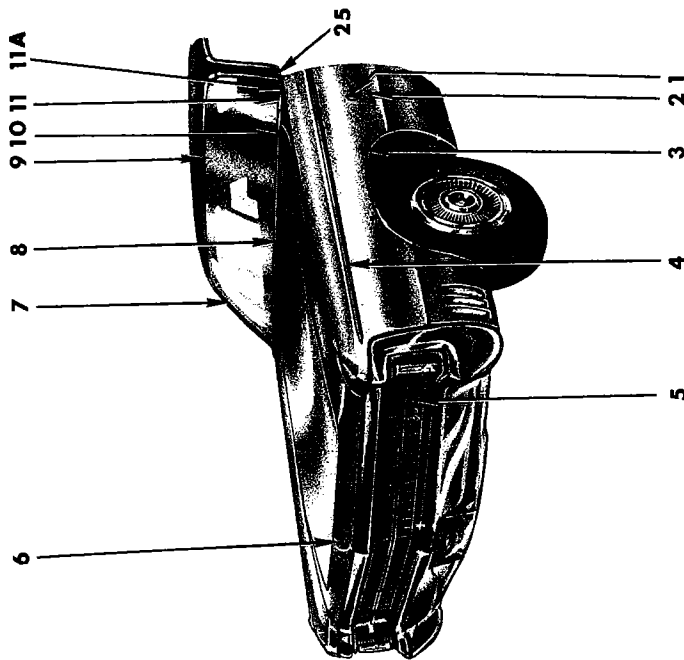
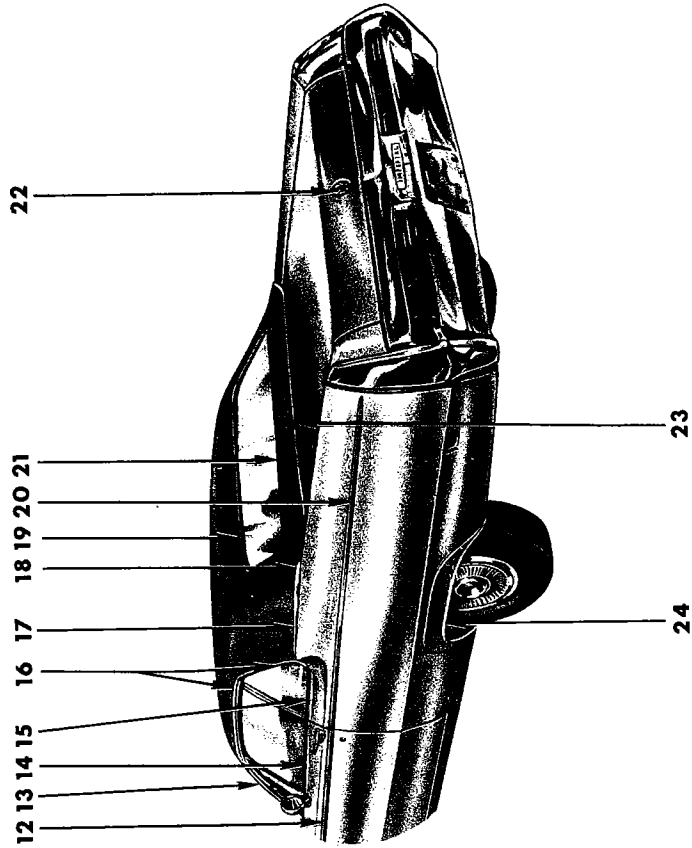
REF. NO.	QTY	PART NUMBER	DESCRIPTION
1	1	3419 482-3	MOULDING PACKAGE, Body Frt. Lwr. Pillar (23-23-14)
	2	6024 271	Screw w/Seal
2	2	2901 544	NAME PLATE, Fender Side (12-15-21)
	6	6000 050	Clip
3	1	2949 488-9	MOULDING, Fender Hood Extension (12-15-2)
4	1	2933 276-7	MOULDING PACKAGE, Fender Wheel Opening (12-15-2)
	7	6024 271	Screw
5	2	2933 278	MOULDING PACKAGE, Fender Side (12-15-2)
	9	6002 754	Retainer
	1	6002 784	Retainer, w/Seal
	9	6024 271	Screw
6	1	2949 136	NAME PLATE, Headlamp Door (7-16-61)
7	2	2898 501	TEXTURE, Radiator Grille (7-17-13)
8	1	2898 500	BAR, Radiator Grille Center (7-16-47)
9	1	2898 836	ORNAMENT, Hood Front (15-03-18)
	1	9420 278	Nut
10	1	2898 828	MOULDING, Hood Top Rear (15-25-2)
11	1	2933 963	MOULDING PACKAGE, Windshield Outside, Lwr. (23-23-65)
	1	3419 448	MOULDING PACKAGE, Windshield Outside, Lwr. Ctr. and Ends, AFTER Type (23-23-65)
	5	9418 246	Screw
12	1	2893 077	MOULDING, Windshield Outside, Upr. (23-23-65)
	7	6002 688	Retainer
13	1	3439 034-5	MOULDING, Windshield, Lwr. End (23-23-65)
	2	6024 271	Screw w/Seal
14	1	2933 966-7	MOULDING PACKAGE, Windshield Outside, Side (23-23-65)
	6	2900 275	Spacer
	6	6002 688	Screw
15	1	2933 600-1	MOULDING PACKAGE, Body Frt. Pillar Drain Trough (23-59-61)
	6	6027 459	Screw
16	1	2933 468-9	MOULDING PACKAGE, Frt. Door Outside Belt (23-23-32)
	14	6002 713	Retainer
17	1	2933 464-5	MOULDING and T/PLATE PACKAGE, Rear Door Outside Belt, Frt. to Rr. (23-23-33)
	14	6002 713	Retainer
18	1	#3419 352-3	MOULDING PACKAGE, Roof Side Drain Trough, Front and Rear (23-59-61)
	4	6027 459	Screw

All Packages Include Attaching Parts

REF. NO.	QTY	PART NUMBER	DESCRIPTION
19	2	2901 545	MEDALLION, Qtr. Outside Pnl. (23-34-334)
	4	----	Nut
	4	----	Washer
20	1	2933 378-9	MOULDING PACKAGE, Qtr. Outside Belt, Frt., "Black" (23-23-39)
	1	2933 380-1	"White"
	1	2933 382-3	"Green"
	1	2933 384-5	"Champagne"
	8	6002 192	Fastener
	2	6002 297	Retainer
	4	6023 898	Screw
	2	----	Nut
21	1	2933 392-3	MOULDING PACKAGE, Qtr. Outside Belt, Rr., "Black" (23-23-39)
	1	2933 394-5	"White"
	1	2933 396-7	"Green"
	1	2933 398-9	"Champagne"
	2	----	Nut w/Seal
22	1	2933 504-5	MOULDING PACKAGE, Rear Wdo. Outside, Lwr. (23-23-52)
	16	6002 686	Retainer
23	1	2933 418-9	MOULDING PACKAGE, Deck Opng. Upr. Pnl., "Black" (23-23-31)
	1	2933 420-1	"White"
	1	2933 422-3	"Green"
	1	2933 424-5	"Champagne"
	8	6002 709	Retainer
	8	9426 925	Nut w/Seal
24	1	2933 506-7	MOULDING PACKAGE, Rear Wdo. Outside, Side and Upr. (23-23-52)
	12	6002 686	Retainer
25	1	2945 391	MEDALLION, Deck Lid Lock Cylinder (23-17-19)
26	1	2933 460-1	MOULDING PACKAGE, Qtr. Outside, Frt. & Rr. (23-23-39)
	16	6002 754	Retainer
	16	6024 271	Screw
27	1	2933 458-9	MOULDING PACKAGE, Qtr. Outside Whl. Opng. Pnl. (23-23-39)
	10	6024 271	Screw
28	1	2933 454-5	MOULDING PACKAGE, Rear Door Outside (23-23-33)
	4	6002 335	Retainer
	6	6002 754	Retainer
	6	6024 271	Screw
29	2	2933 452	MOULDING PACKAGE, Frt. Door Outside (23-23-32)
	4	6002 335	Retainer
	20	6002 754	Retainer
	20	6024 271	Screw
	4	6026 523	Nut

Part Type Code is Indicated in Parentheses

19a2474 A



EXTERIOR VIEW - IMPERIAL LE BARON Y-M 2 DOOR HARDTOP

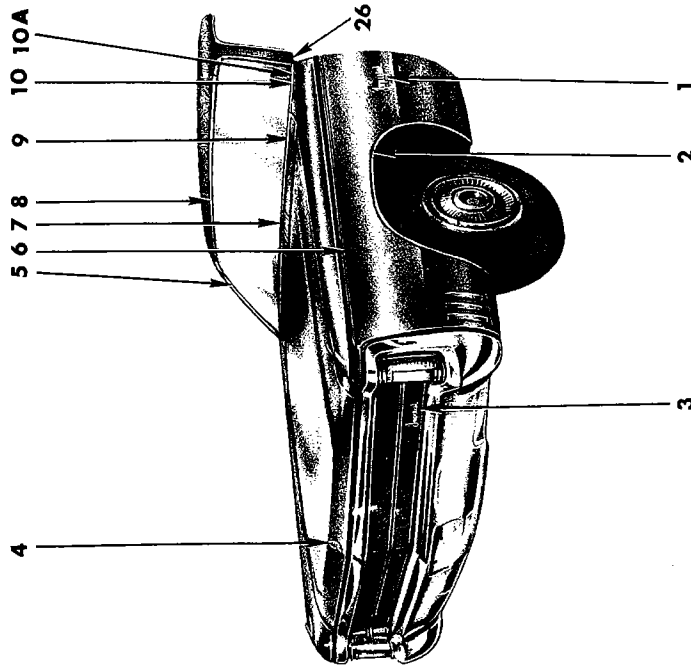
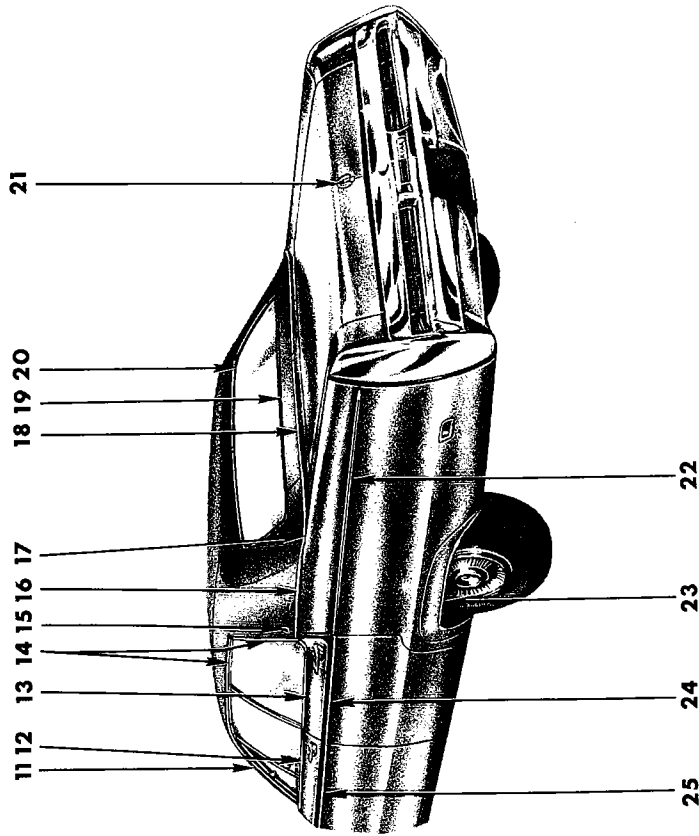
REF. NO.	QTY	PART NUMBER	DESCRIPTION
1	2	2901 545	MEDALLION, Fender Side (12-15-21)
	4	6000 050	Clip
2	2	2901 544	NAME PLATE, Fender Side (12-15-21)
	6	6000 050	Clip
3	1	2933 276-7	MOULDING PACKAGE, Fender Whl. Opng. (12-15-2)
	14	6027 413	Screw
4	2	2933 278	MOULDING PACKAGE, Fender Side (12-15-2)
	2	9419 784	Nut
	2	6002 335	Retainer
	2	6002 784	Retainer, w/Seal
	16	6002 754	Retainer
5	1	2949 136	NAME PLATE, Radiator Grille Headlamp Dr., Lt. (8-34-54)
6	1	2898 836	ORNAMENT, Hood Front (15-03-18)
	1	9420 278	Nut
7	1	2933 966-7	MOULDING PACKAGE, Windshield Outside, Side (23-23-65)
	6	2900 275	Spacer
	6	6002 688	Screw
8	1	2933 963	MOULDING PACKAGE, Windshield Outside, Lwr. (23-23-65)
	1	3419 448	MOULDING PACKAGE, Windshield Outside Lwr. Ctr. and End, After Type (23-23-65)
	5	9418 246	Screw
9	1	2893 077	MOULDING, Windshield Outside, Upr. (23-23-65)
	7	6002 688	Retainer
10	1	2898 828	MOULDING, Hood Top Rear (15-25-2)
11	1	2949 488-9	MOULDING, Fender Hood Extension (12-15-2)
11A	1	3439 034-5	MOULDING, Windshield Lwr. End (23-23-65)
	2	6024 271	Screw, w/Seal
12	2	2933 456	MOULDING PACKAGE, Door Outside (23-23-32)
	16	6002 754	Retainer
	16	6024 271	Screw
13	1	2933 370-1	MOULDING PACKAGE, Body Frt. Pillar Drain Trough (23-59-61)
	6	6027 459	Screw
14	1	2933 466-7	MOULDING PACKAGE, Door Outside Belt (23-23-32)
	16	6002 713	Retainer
15	1	2933 374-5	MOULDING PACKAGE, Qtr. Outside Wdo. Belt, w/Filler (23-23-39)
	6	6002 713	Clip and Seal
16	1	#3419 358-9	MOULDING PACKAGE, Roof Side Drain Trough, Frt. and Rear (23-59-61)
	4	6024 659	Screw

All Packages Include Attaching Parts

REF. NO.	QTY	PART NUMBER	DESCRIPTION
17	1	2933 300-1	MOULDING PACKAGE, Qtr. Outside Belt, Frt., "Black" (23-23-39)
	1	2933 302-3	"White"
	1	2933 304-5	"Green"
	1	2933 306-7	"Champagne"
	1	2933 308-9	"Blue"
	1	2933 310-1	"Walnut"
	6	6002 192	Fastener
	2	6002 297	Retainer
	4	6023 898	Screw
	2	----	Nut
18	1	2933 312-3	MOULDING PACKAGE, Qtr. Outside Belt, Rear, "Black" (23-23-39)
	1	2933 314-5	"White"
	1	2933 316-7	"Green"
	1	2933 318-9	"Champagne"
	1	2933 320-1	"Blue"
	1	2933 322-3	"Walnut"
	2	----	Nut
19	1	2933 630-1	MOULDING PACKAGE, Rear Wdo. Outside, Upr., "Black" (23-23-52)
	1	2933 632-3	"White"
	1	2933 634-5	"Green"
	1	2933 636-7	"Champagne"
	1	2933 638-9	"Blue"
	1	2933 640-1	"Walnut"
	14	6002 206	Retainer
20	1	2933 462-3	MOULDING PACKAGE, Qtr. Outside, Frt. and Rear (23-23-39)
	22	6002 754	Retainer
	22	6024 271	Screw
21	1	2933 644-5	MOULDING PACKAGE, Rear Wdo. Outside, Lwr., "Black" (23-23-52)
	1	2933 646-7	"White"
	1	2933 648-9	"Green"
	1	2933 688-9	"Champagne"
	1	2933 690-1	"Blue"
	1	2933 692-3	"Walnut"
	12	6002 206	Retainer
22	1	2945 391	MEDALLION, Deck Lid Lock Cylinder (23-17-19)
23	1	2933 358-9	MOULDING PACKAGE, Deck Opng. Upr. Pnl., "Black" (23-23-31)
	1	2933 360-1	"White"
	1	2933 362-3	"Green"
	1	2933 364-5	"Champagne"
	1	2933 366-7	"Blue"
	1	2933 368-9	"Walnut"
	8	6002 709	Retainer
	8	9426 925	Nut w/Seal
24	1	2933 458-9	MOULDING PACKAGE, Qtr. Outside Wheel Opng. Pnl. (23-23-39)
	10	6024 271	Screw
25	1	3419 482-3	MOULDING PACKAGE, Body Frt. Lwr. Pillar (23-23-14)
	2	6024 271	Screw, w/Seal

Part Type Code is Indicated in Parentheses

19a2405 A



EXTERIOR VIEW - IMPERIAL LE BARON Y-M 4 DOOR HARDTOP

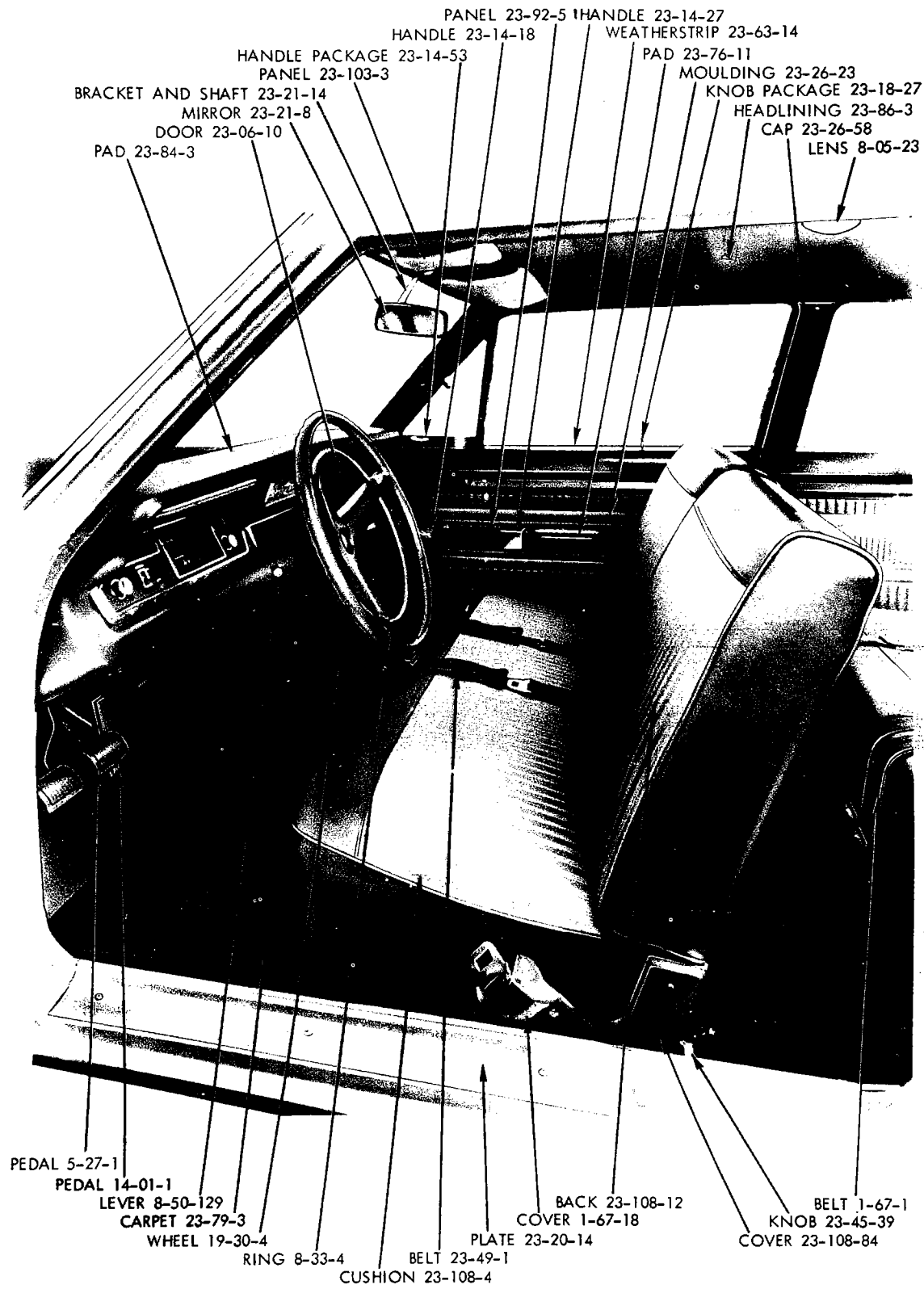
REF. NO.	QTY	PART NUMBER	DESCRIPTION
1	2	2901 544	NAME PLATE, Fender Side (12-15-21)
	6	6000 050	Clip
2	1	2933 276-7	MOULDING PACKAGE, Fender Wheel Opening (12-15-2)
	14	6027 413	Screw
3	1	2949 136	NAME PLATE, Headlamp Door Left (8-34-54)
4	1	2898 836	ORNAMENT, Hood Front (15-03-18)
	1	9420 278	Nut
5	1	2933 966-7	MOULDING PACKAGE, Windshield Outside, Side (23-23-65)
	6	2900 275	Spacer
	6	6002 688	Screw
6	2	2933 278	MOULDING PACKAGE, Fender Side (12-15-2)
	2	9419 784	Nut
	2	6002 335	Retainer
	2	6002 784	Retainer, w/Seal
	16	6002 754	Retainer
7	1	2933 963	MOULDING PACKAGE, Windshield Outside, Lwr. (23-23-65)
	1	3419 448	MOULDING PACKAGE, Windshield Outside Lwr. Ctr. and Ends, After Type (23-23-65)
	5	9418 246	Screw
8	1	2893 077	MOULDING, Windshield Outside, Upr. (23-23-65)
	7	6002 688	Retainer
9	1	2898 828	MOULDING, Hood Top Rear (15-25-2)
10	1	2949 488-9	MOULDING, Fender Hood Extension (12-15-2)
10A	1	3439 034-5	MOULDING, Windshield Lwr. End (23-23-65)
	2	6024 271	Screw, w/Seal
11	1	2933 414-5	MOULDING PACKAGE, Body Frt. Pillar Drain Trough (23-59-61)
	6	6027 459	Screw
12	1	2933 468-9	MOULDING PACKAGE, Frt. Door Outside Belt (23-23-32)
	14	6002 713	Retainer
13	1	2933 464-5	MOULDING and T/PLATE PACKAGE, Rear Door Outside Belt, Frt. to Rear (23-23-33)
	14	6002 713	Retainer
14	1	#3419 352-3	MOULDING PACKAGE, Roof Side Drain Trough, Frt. and Rear (23-59-61)
	4	6027 459	Screw
15	2	2901 545	MEDALLION, Qtr. Outside Panel (23-34-334)
	4	-----	Nut
	4	-----	Washer
16	1	2933 378-9	MOULDING PACKAGE, Qtr. Outside Belt, Frt., "Black" (23-23-39)
	1	2933 380-1	"White"
	1	2933 382-3	"Green"
	1	2933 384-5	"Champagne"
	1	2933 386-7	"Blue"
	1	2933 388-9	"Walnut"
	8	6002 192	Fastener
	2	6002 297	Retainer
	4	6023 898	Screw
	2	-----	Nut

All Packages Include Attaching Parts

REF. NO.	QTY	PART NUMBER	DESCRIPTION
17	1	2933 392-3	MOULDING PACKAGE, Qtr. Outside Belt, Rear, "Black" (23-23-39)
	1	2933 394-5	"White"
	1	2933 396-7	"Green"
	1	2933 398-9	"Champagne"
	1	2933 400-1	"Blue"
	1	2933 402-3	"Walnut"
	2	-----	Nut w/Seal
18	1	2933 418-9	MOULDING PACKAGE, Deck Opng. Upr. Pnl., "Black" (23-23-31)
	1	2933 420-1	"White"
	1	2933 422-3	"Green"
	1	2933 424-5	"Champagne"
	1	2933 426-7	"Blue"
	1	2933 428-9	"Walnut"
	8	6002 709	Retainer
	8	9426 925	Nut w/Seal
19	1	3419 336-7	MOULDING PACKAGE, Rear Wdo. Outside, Lwr. "Black" (23-23-52)
	1	2933 708-9	"White"
	1	2933 710-1	"Green"
	1	2933 712-3	"Champagne"
	1	2933 714-5	"Blue"
	1	2933 716-7	"Walnut"
	12	6002 206	Retainer
20	1	3419 338-9	MOULDING PACKAGE, Rear Wdo. Outside, Upr. "Black" (23-23-52)
	1	2933 698-9	"White"
	1	2933 700-1	"Green"
	1	2933 702-3	"Champagne"
	1	2933 704-5	"Blue"
	1	2933 706-7	"Walnut"
	14	6002 206	Retainer
21	1	2945 391	MEDALLION, Deck Lid Lock Cylinder (23-17-19)
22	1	2933 460-1	MOULDING PACKAGE, Qtr. Outside, Frt. and Rear (23-23-39)
	16	6002 754	Retainer
	16	6024 271	Screw
23	1	2933 458-9	MOULDING PACKAGE, Qtr. Outside Wheel Opng. Pnl. (23-23-39)
	10	6024 271	Screw
24	1	2933 454-5	MOULDING PACKAGE, Rear Door Outside (23-23-33)
	4	6002 335	Retainer
	6	6002 754	Retainer
	6	6024 271	Screw
25	2	2933 452	MOULDING PACKAGE, Frt. Door Outside (23-23-32)
	4	6002 335	Retainer
	20	6002 754	Retainer
	20	6024 271	Screw
	4	6026 523	Nut
26	1	3419 482-3	MOULDING, PACKAGE, Body Frt. Lwr. Pillar (23-23-14)
	2	6024 271	Screw, w/Seal

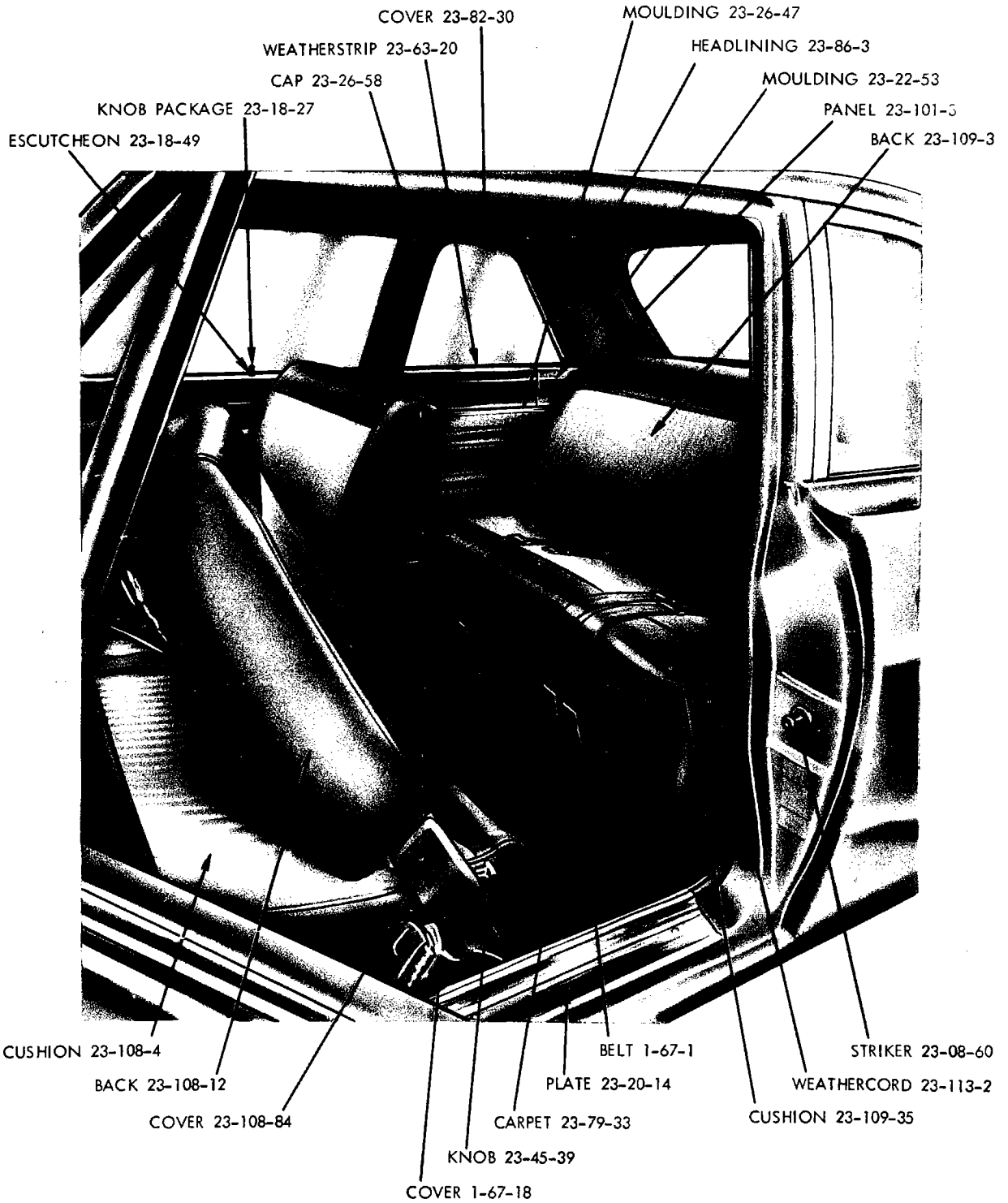
Part Type Code is Indicated in Parentheses

EXTERIOR VIEW - IMPERIAL LE BARON Y-M 4 DOOR HARDTOP



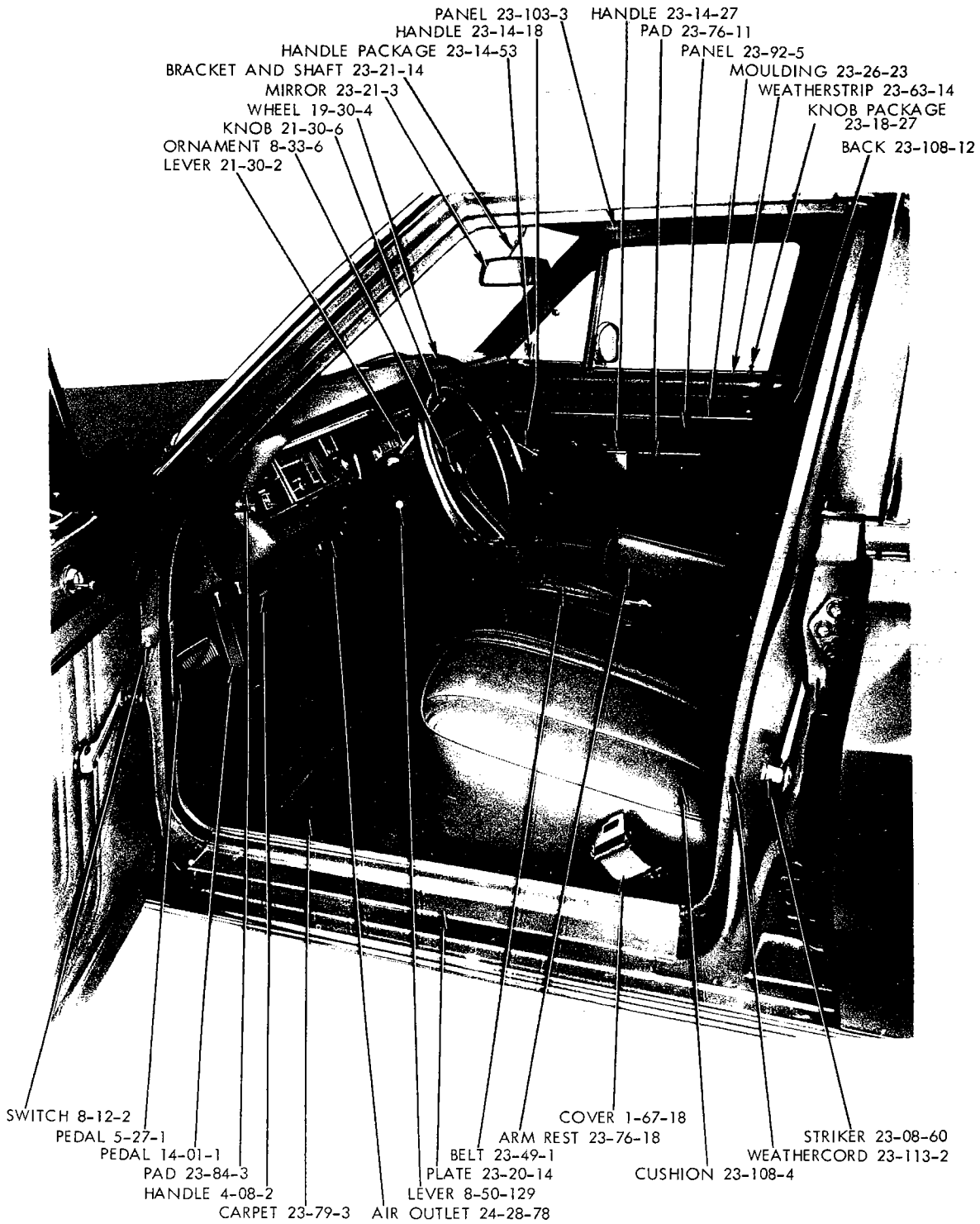
19a2604

FRONT INTERIOR - VALIANT V-L 2 DOOR SEDAN



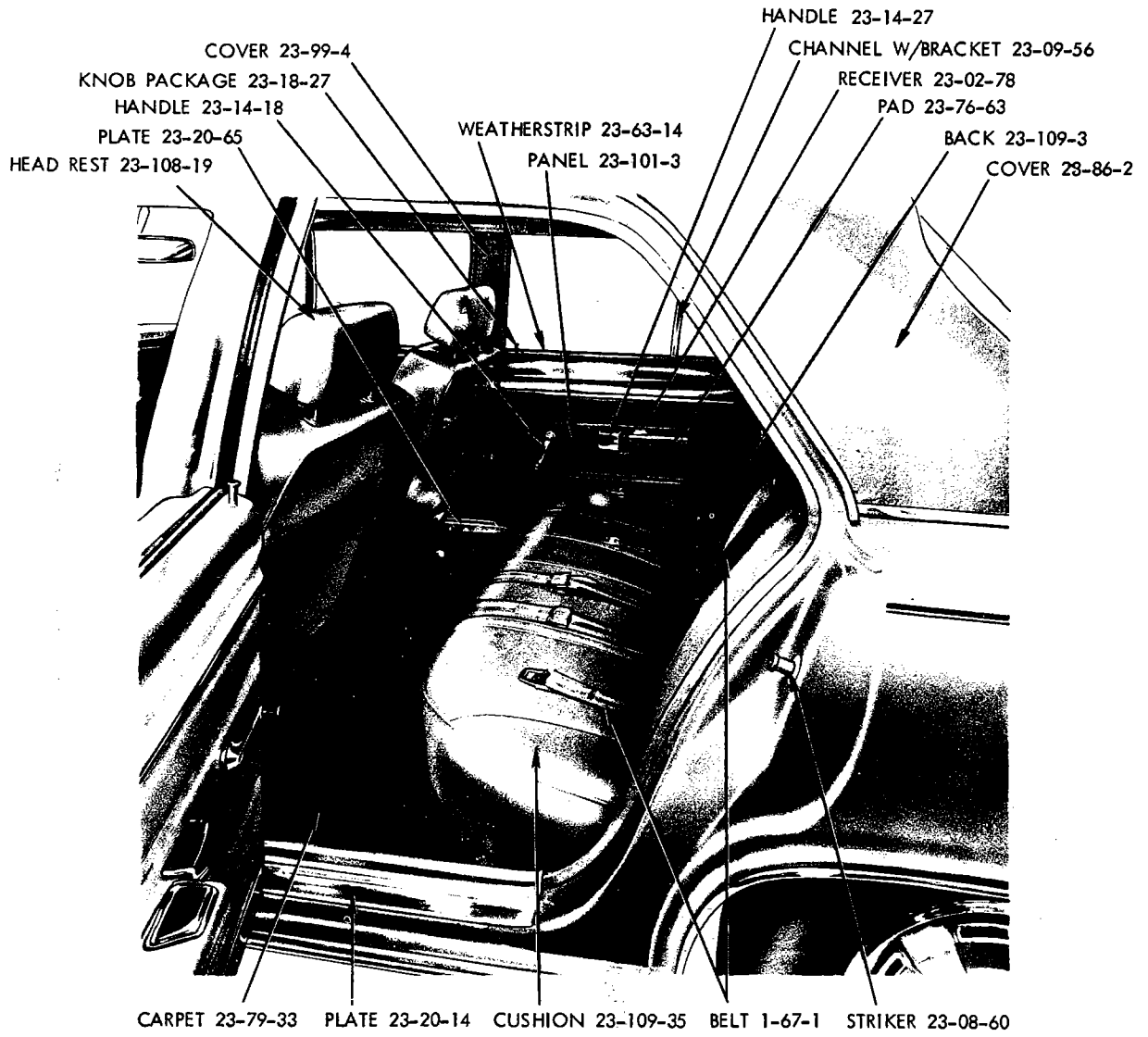
19a2602

REAR INTERIOR - VALIANT V-L 2 DOOR SEDAN



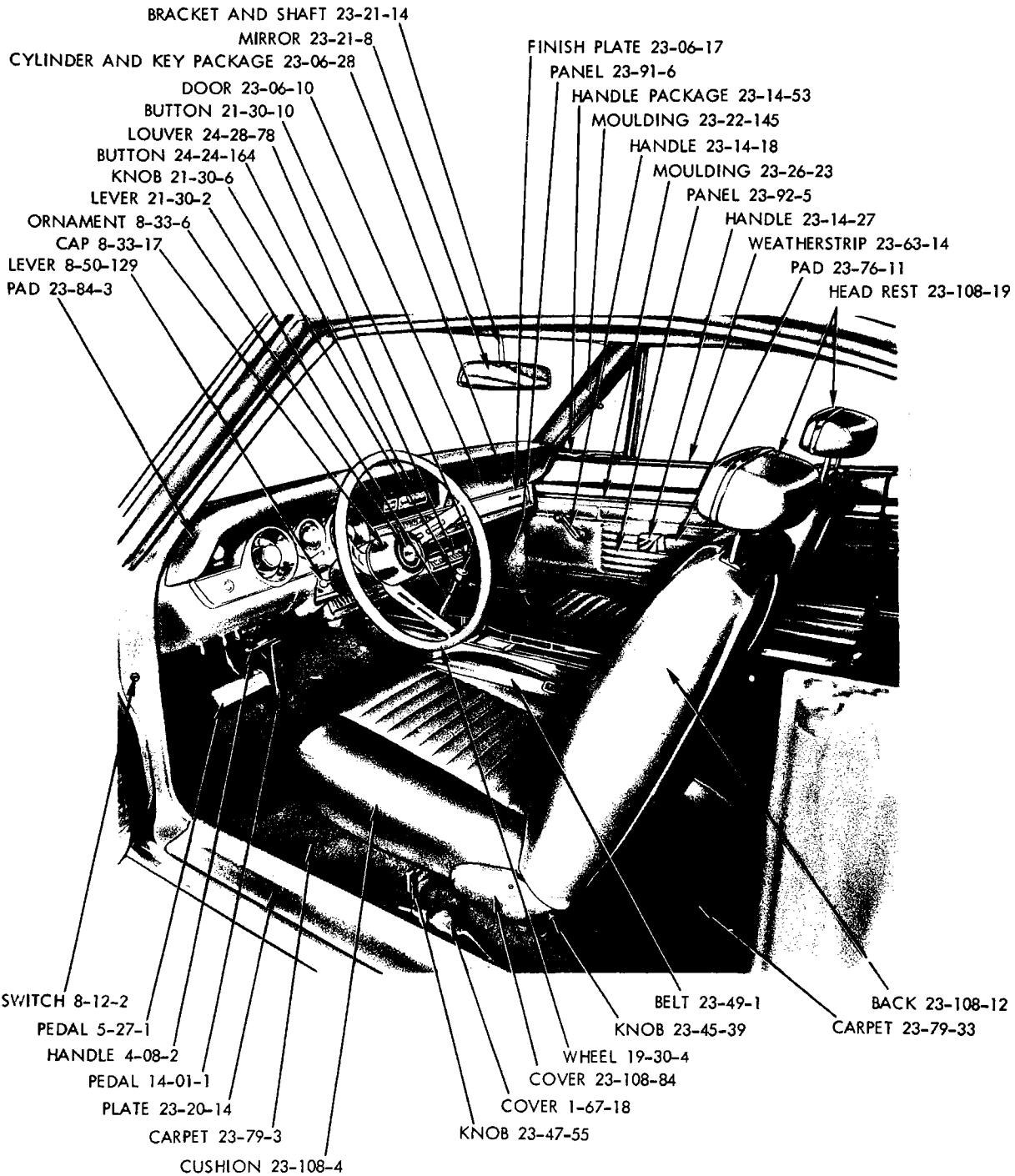
19a2424

FRONT INTERIOR - VALIANT SIGNET V-H 4 DOOR SEDAN



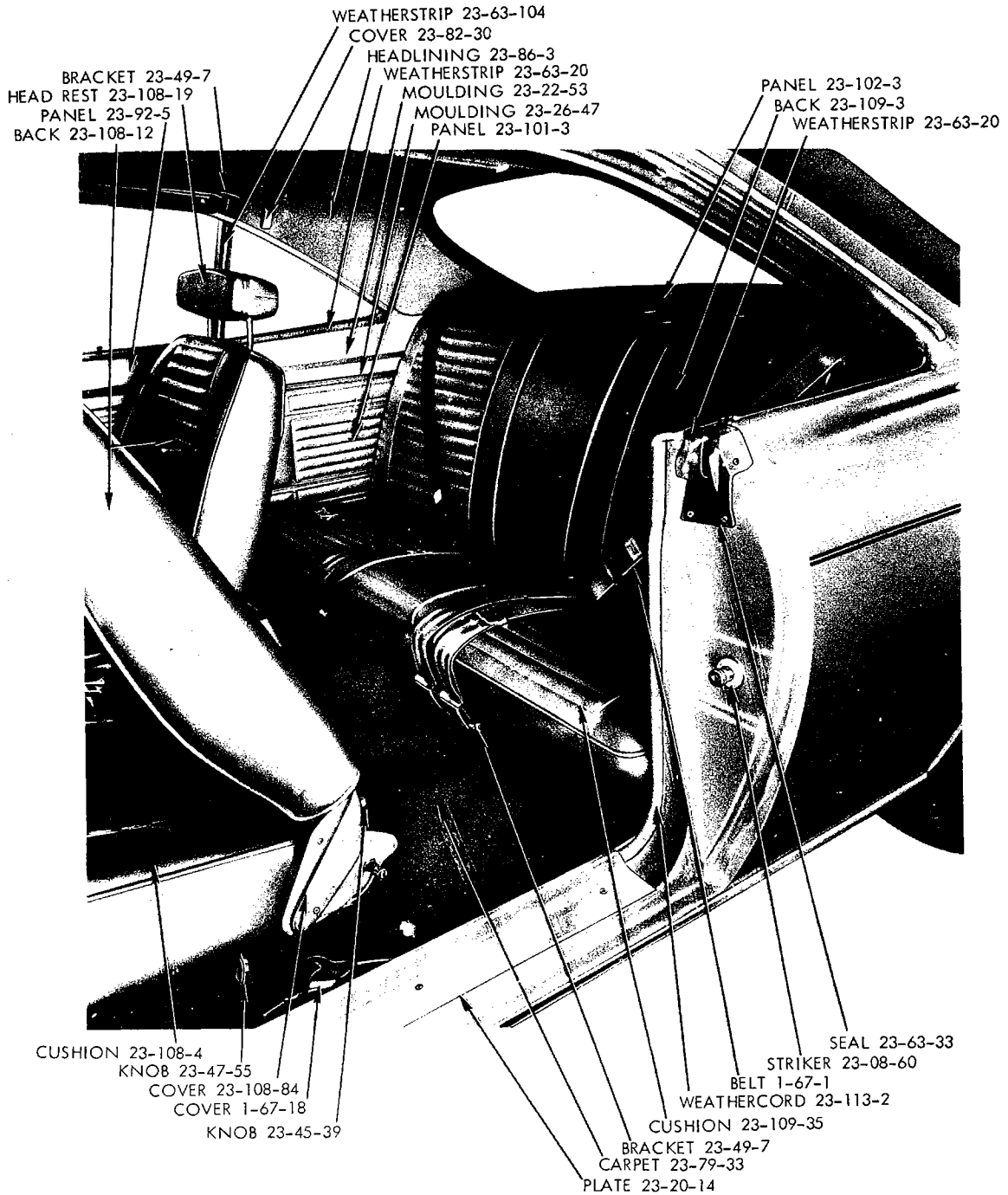
19a2413

REAR INTERIOR - VALIANT SIGNET V-H 4 DOOR SEDAN



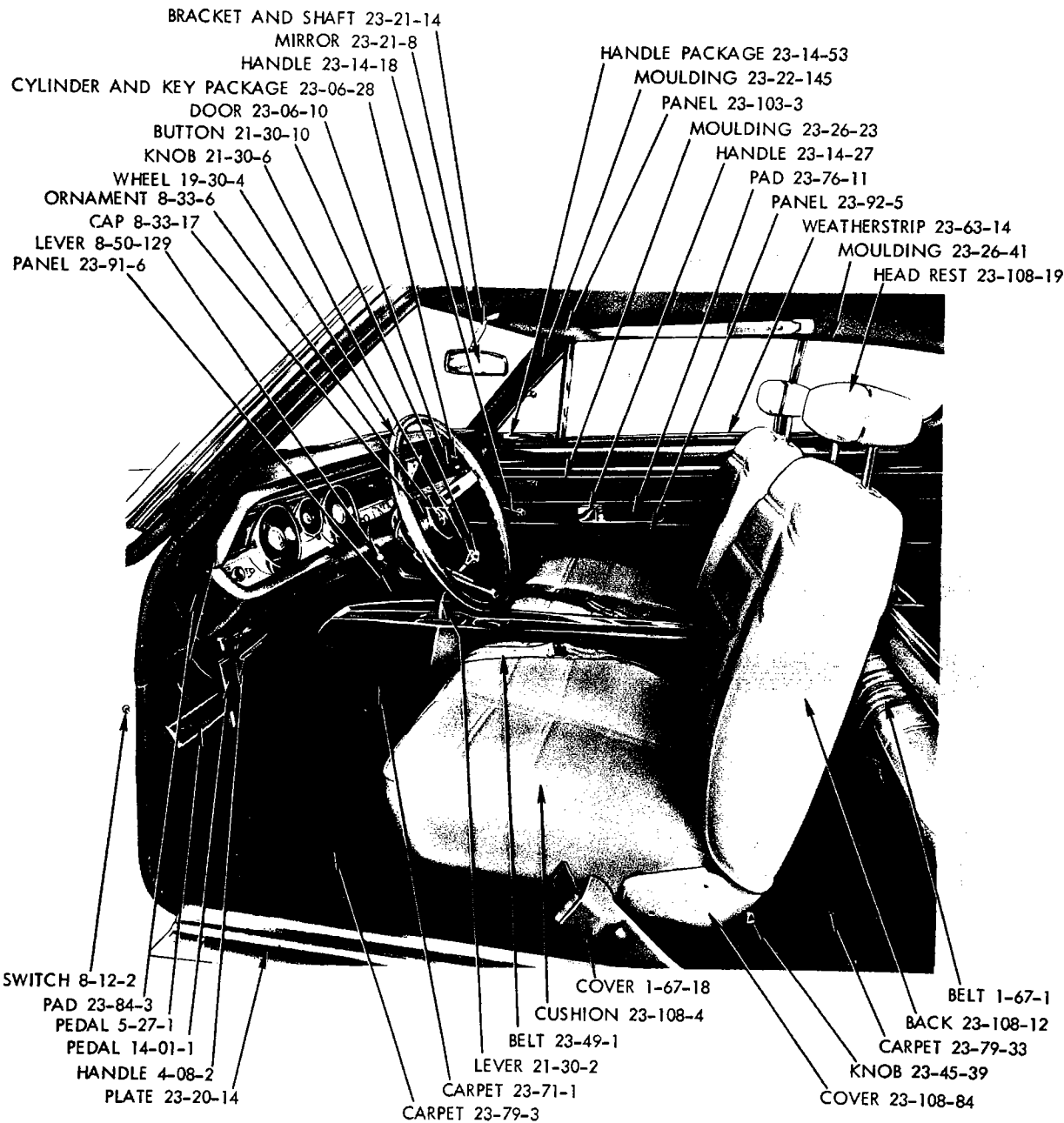
19a2502

FRONT INTERIOR - BARRACUDA B-H 2 DOOR HARDTOP



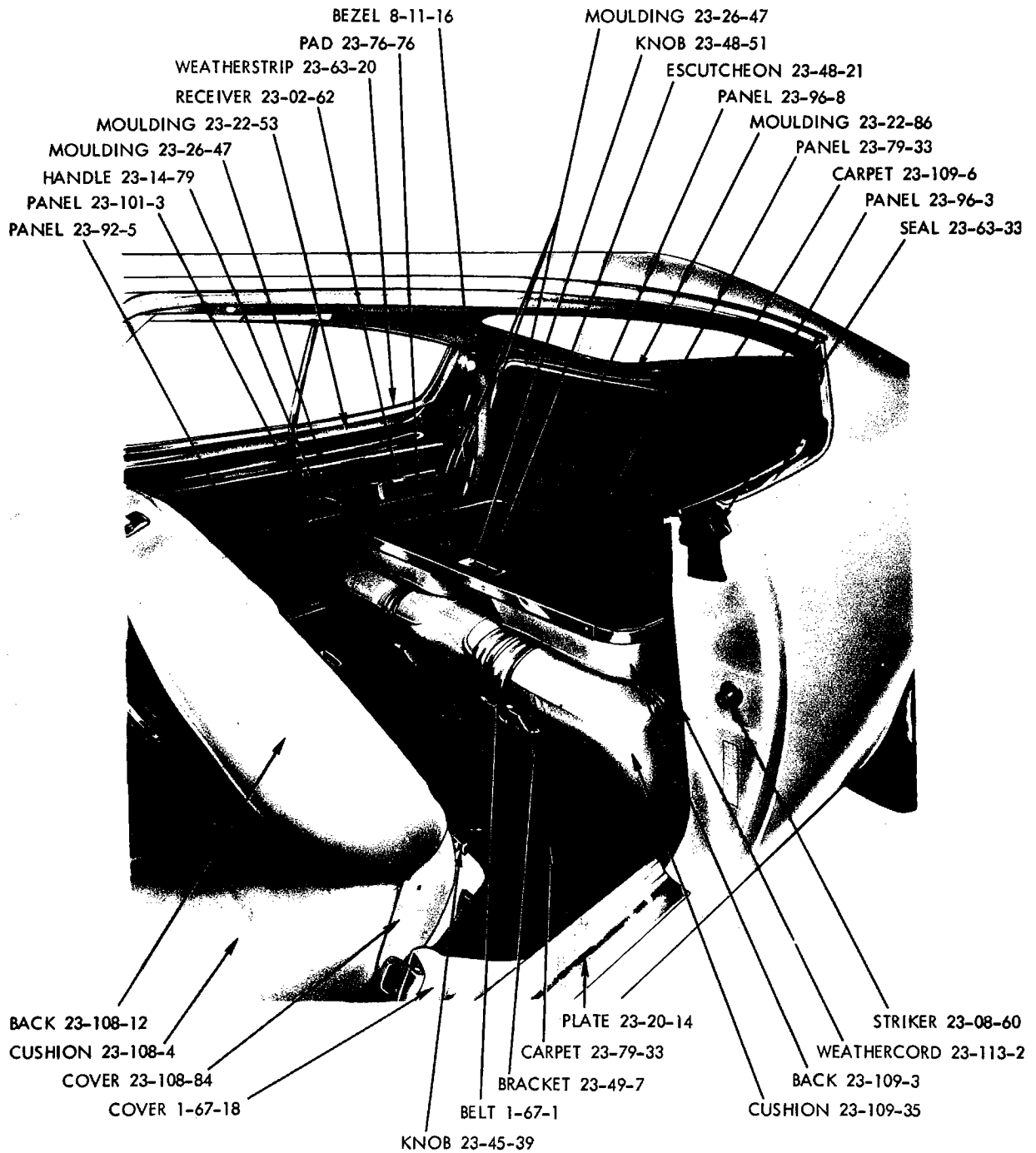
19a2498

REAR INTERIOR - BARRACUDA B-H 2 DOOR HARDTOP



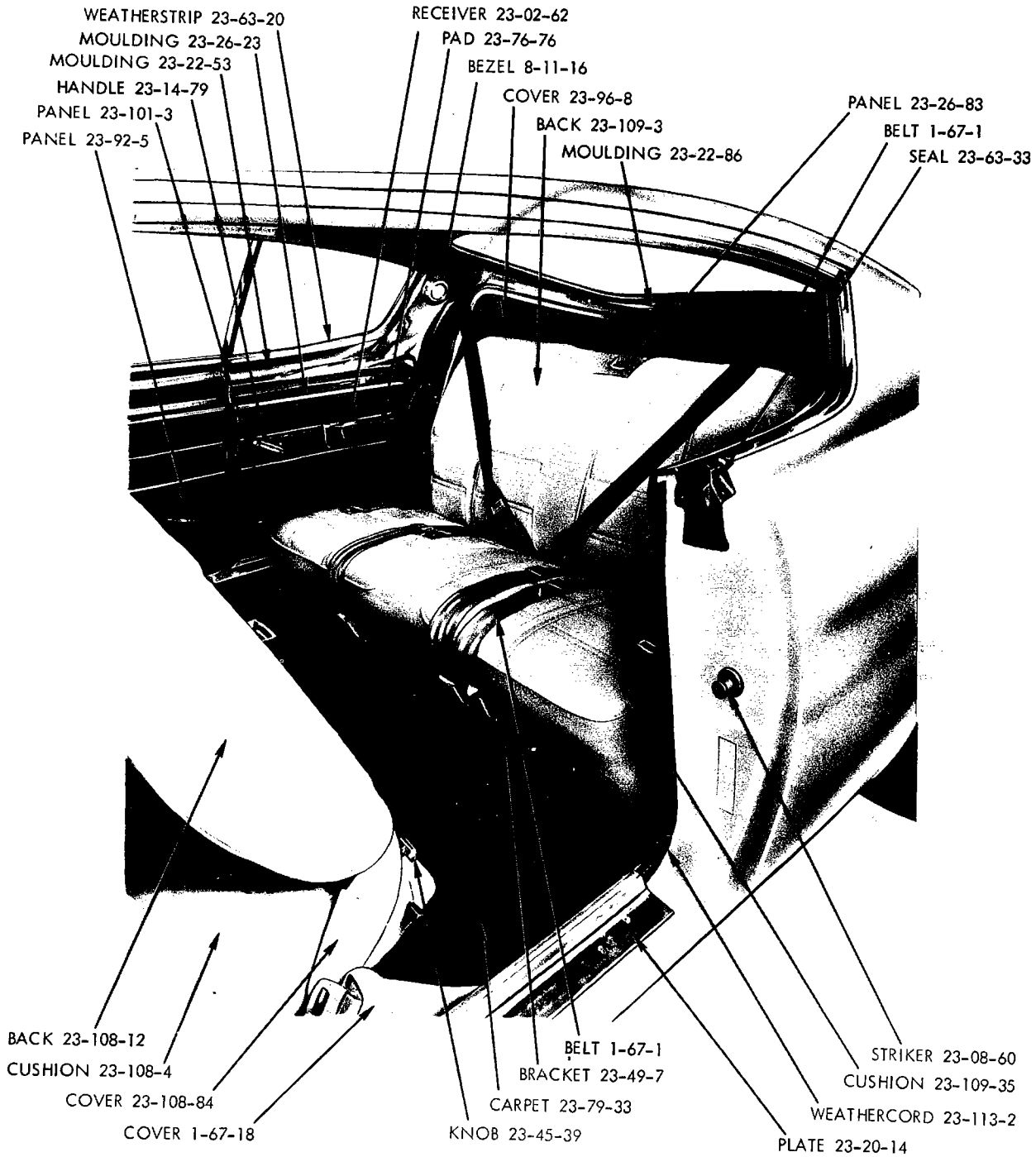
19a2422

FRONT INTERIOR - BARRACUDA B-H SPECIAL 2 DOOR HARDTOP



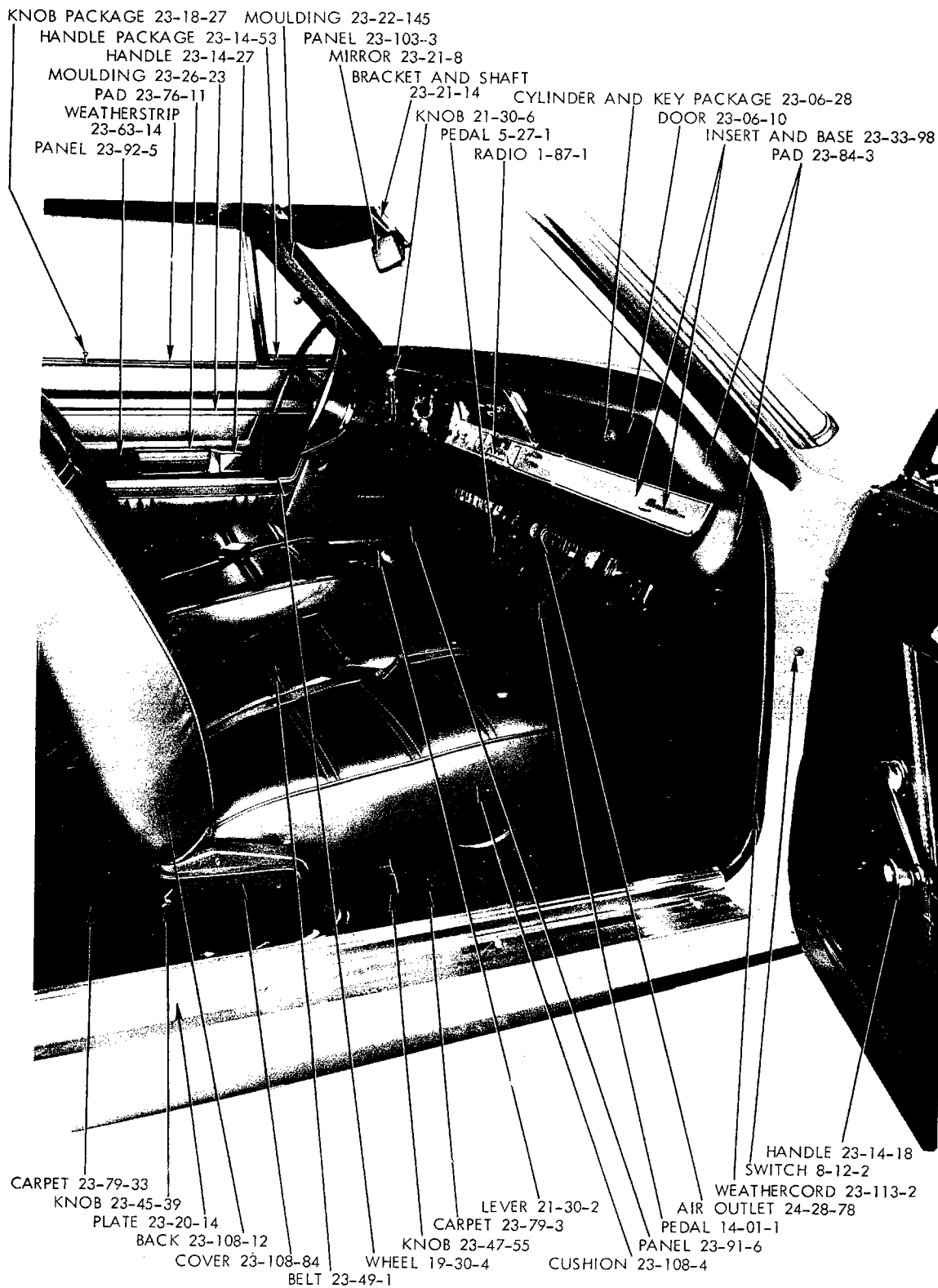
19a2415

REAR INTERIOR - BARRACUDA B-H SPECIAL 2 DOOR HARDTOP (OPEN)



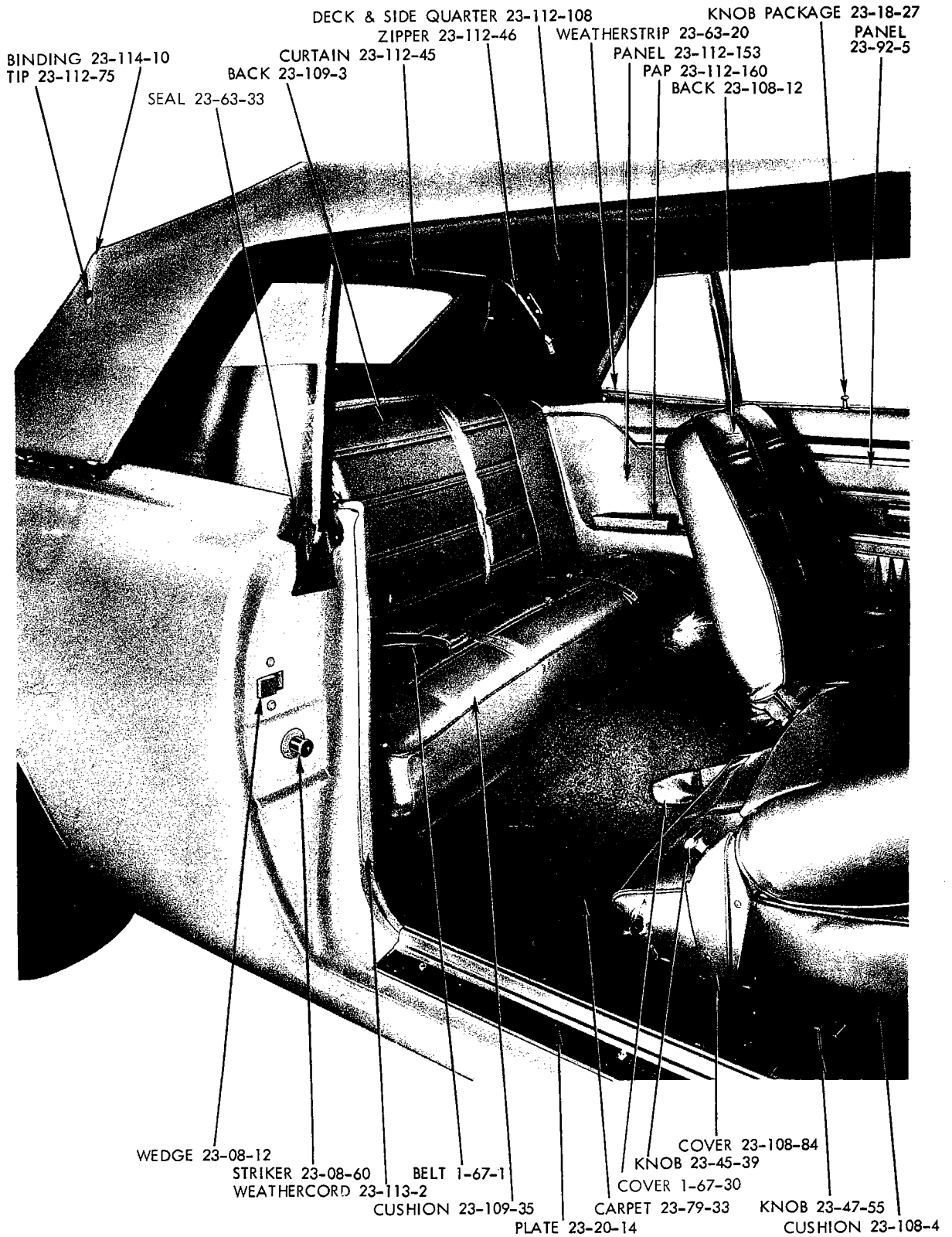
19a2414

REAR INTERIOR - BARRACUDA B-H SPECIAL 2 DOOR HARDTOP (CLOSED)



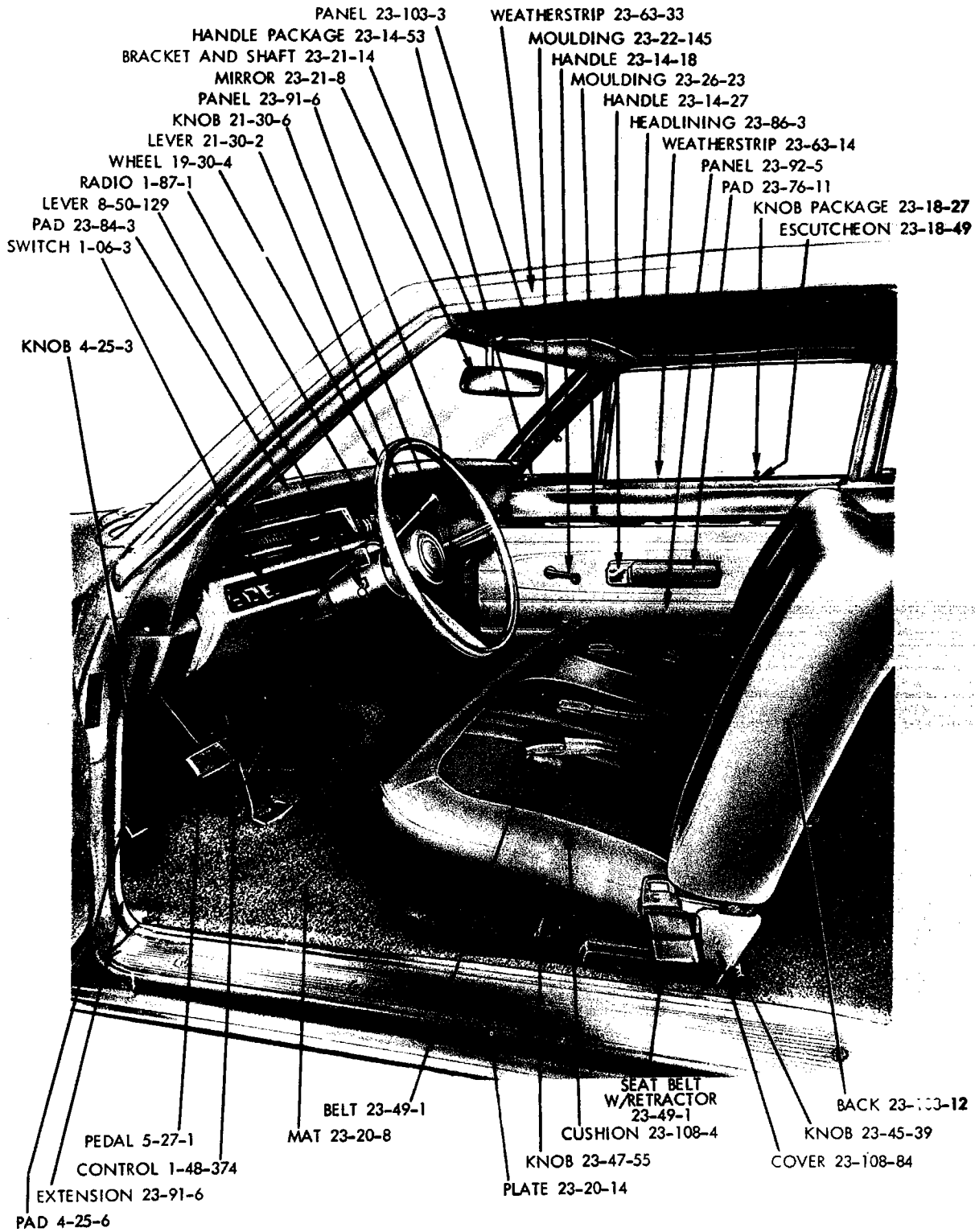
19a2624

FRONT INTERIOR - BARRACUDA B-H CONVERTIBLE COUPE



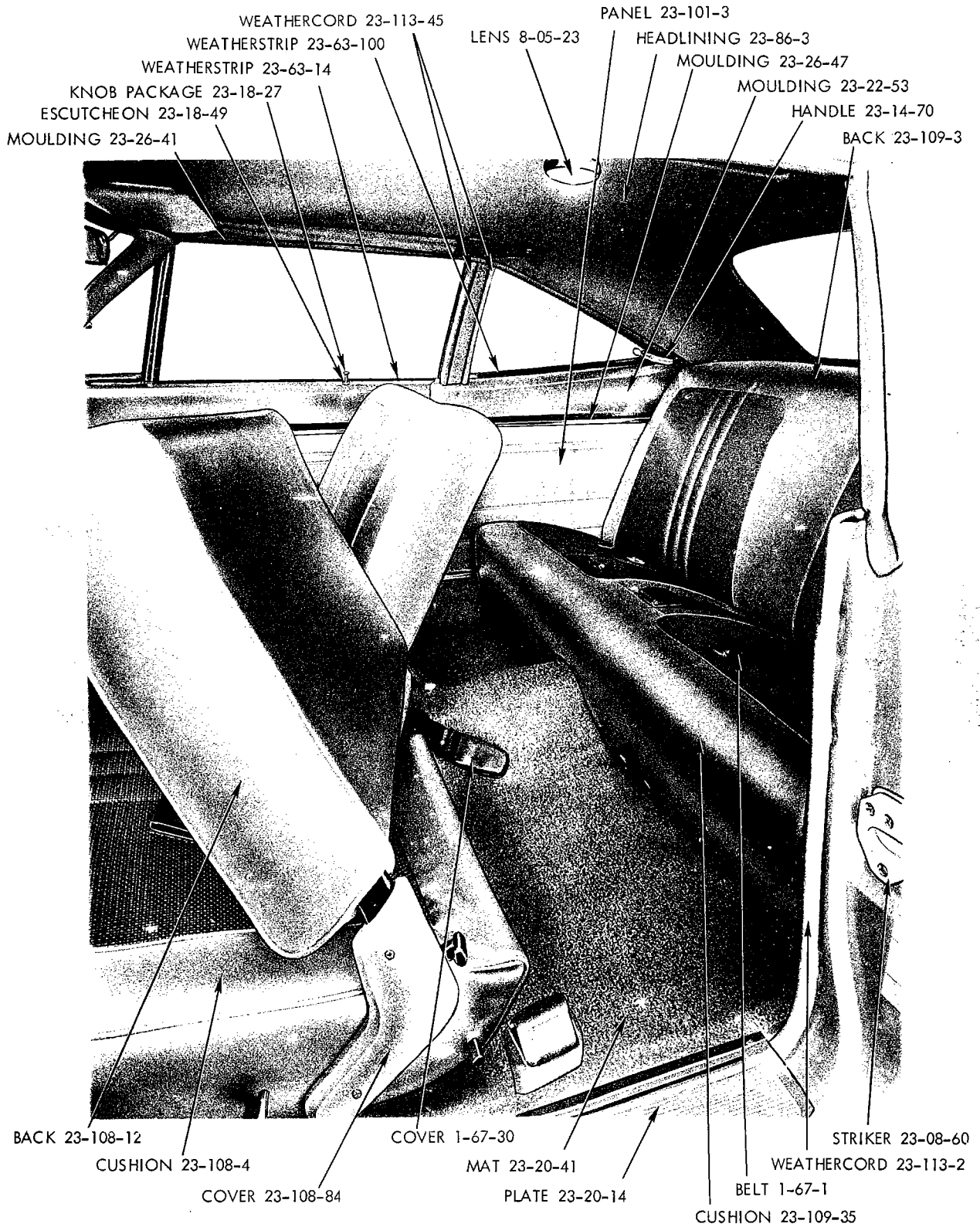
19a2603 A

REAR INTERIOR - BARRACUDA B-H CONVERTIBLE COUPE



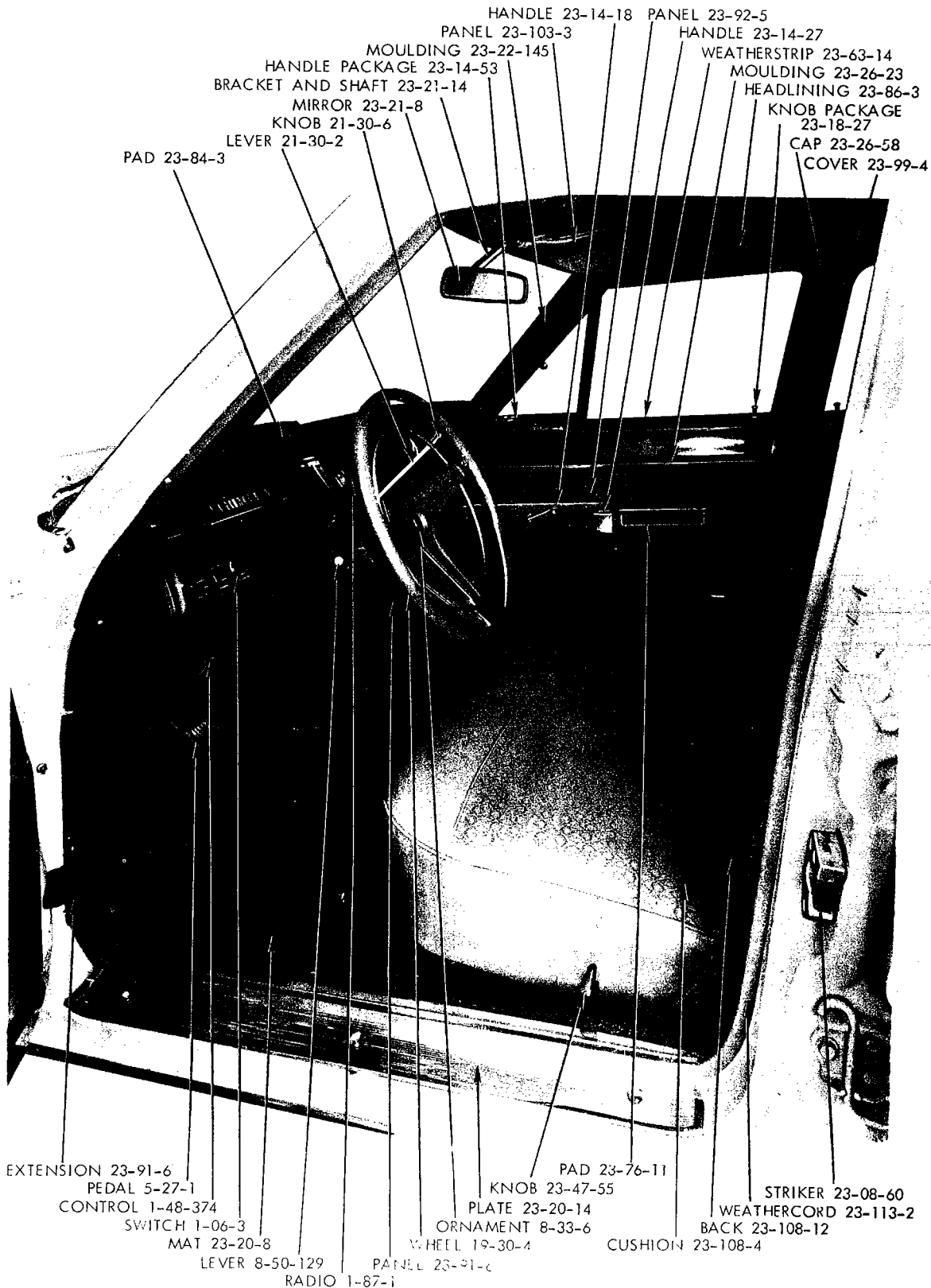
19a2625

FRONT INTERIOR - BELVEDERE R-L 2 DOOR SEDAN



19a2608 A

REAR INTERIOR - BELVEDERE R-L 2 DOOR SEDAN

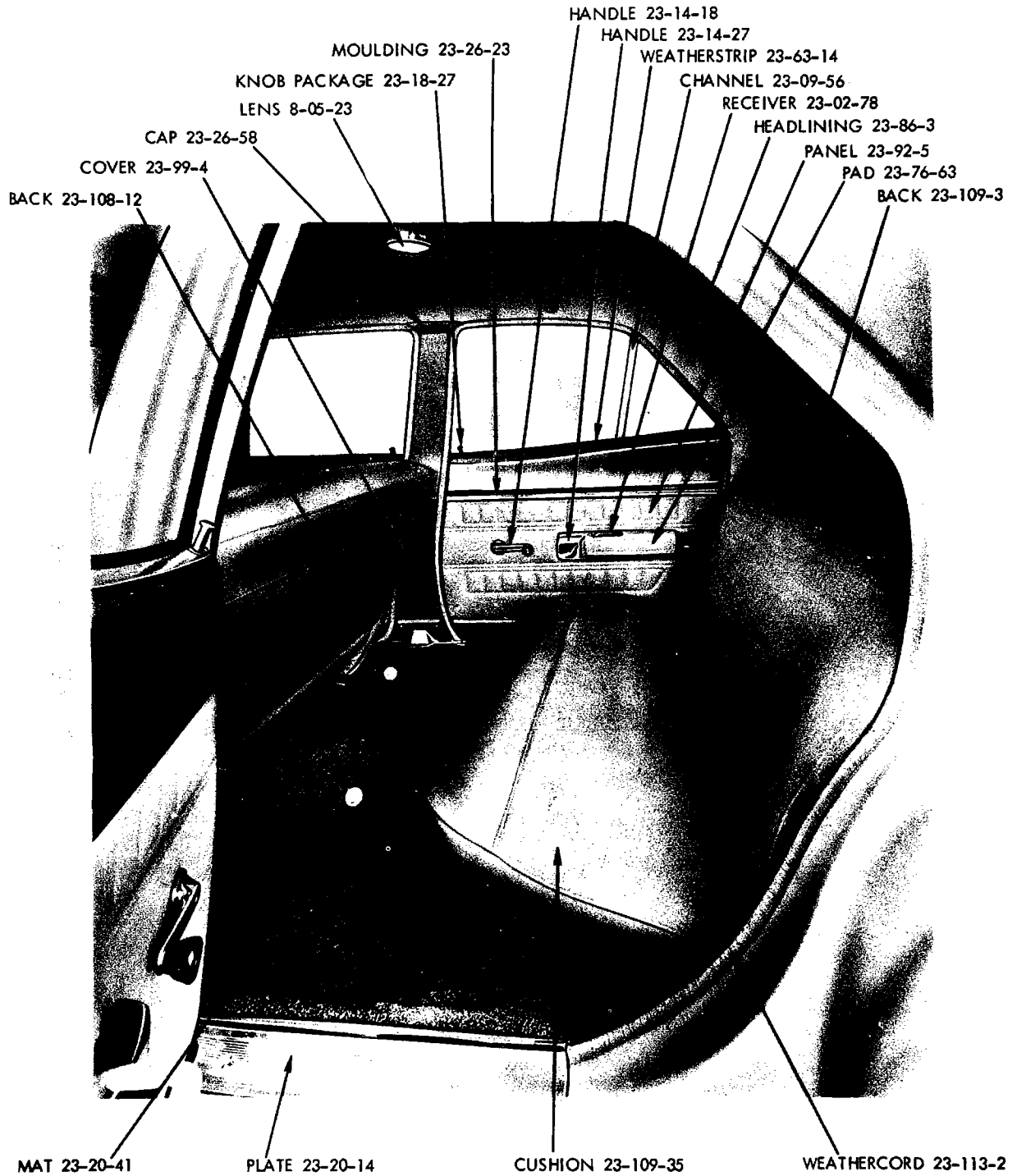


HANDLE 23-14-18 PANEL 23-92-5
 PANEL 23-103-3 HANDLE 23-14-27
 MOULDING 23-22-145 WEATHERSTRIP 23-63-14
 HANDLE PACKAGE 23-14-53 MOULDING 23-26-23
 BRACKET AND SHAFT 23-21-14 HEADLINING 23-86-3
 MIRROR 23-21-8 KNOB PACKAGE
 KNOB 21-30-6 23-18-27
 LEVER 21-30-2 CAP 23-26-58
 PAD 23-84-3 COVER 23-99-4

EXTENSION 23-91-6 PAD 23-76-11
 PEDAL 5-27-1 KNOB 23-47-55 STRIKER 23-08-60
 CONTROL 1-48-374 PLATE 23-20-14 WEATHERCORD 23-113-2
 SWITCH 1-06-3 ORNAMENT 8-33-6 BACK 23-108-12
 MAT 23-20-8 WHEEL 19-30-4 CUSHION 23-108-4
 LEVER 8-50-129 PANEL 23-91-c
 RADIO 1-87-1

19a2626

FRONT INTERIOR - BELVEDERE R-L 4 DOOR SEDAN



19a2609

REAR INTERIOR - BELVEDERE R-L 4 DOOR SEDAN



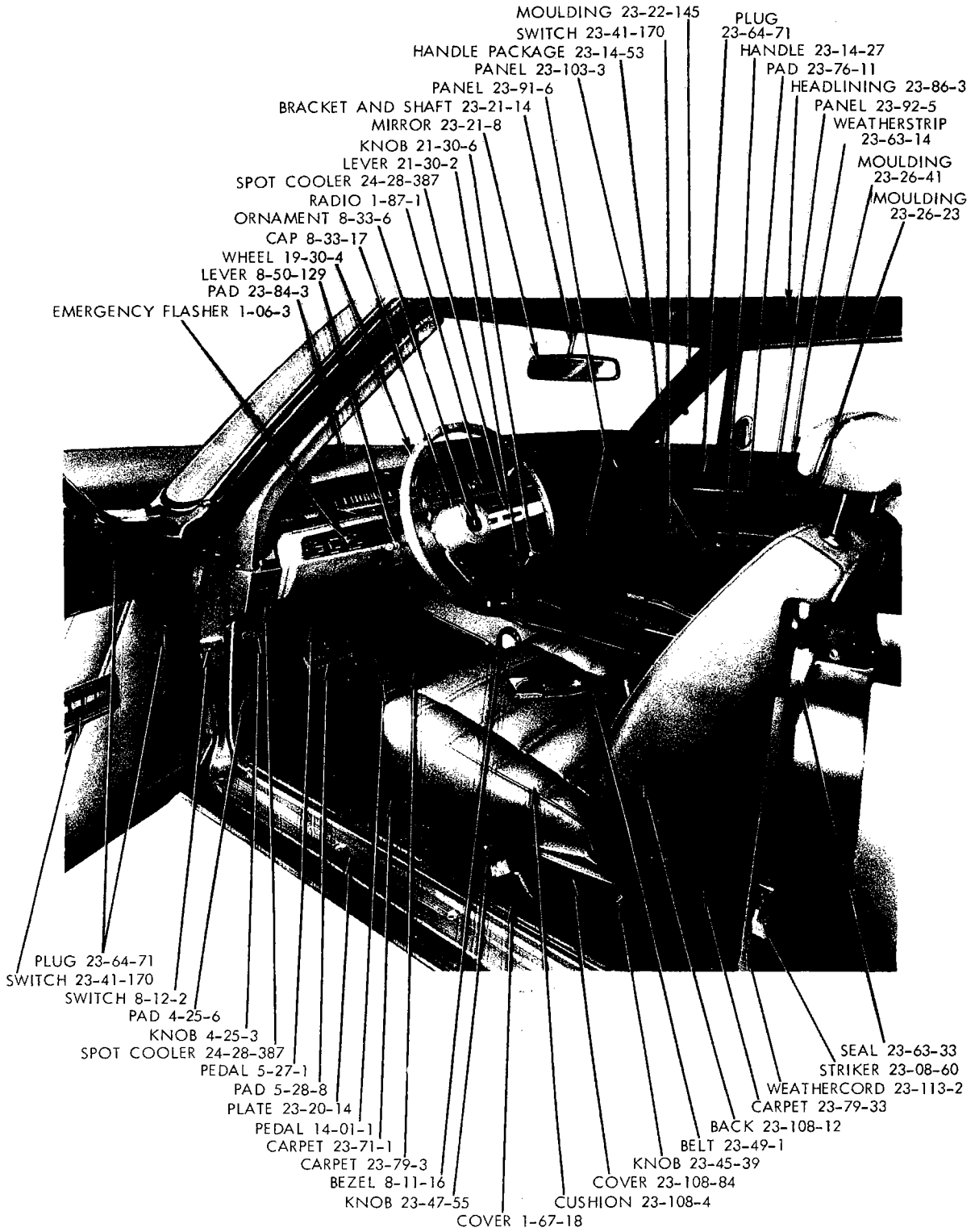
19a2636

FRONT INTERIOR - BELVEDERE SPORT SATELLITE R-P 4 DOOR SEDAN



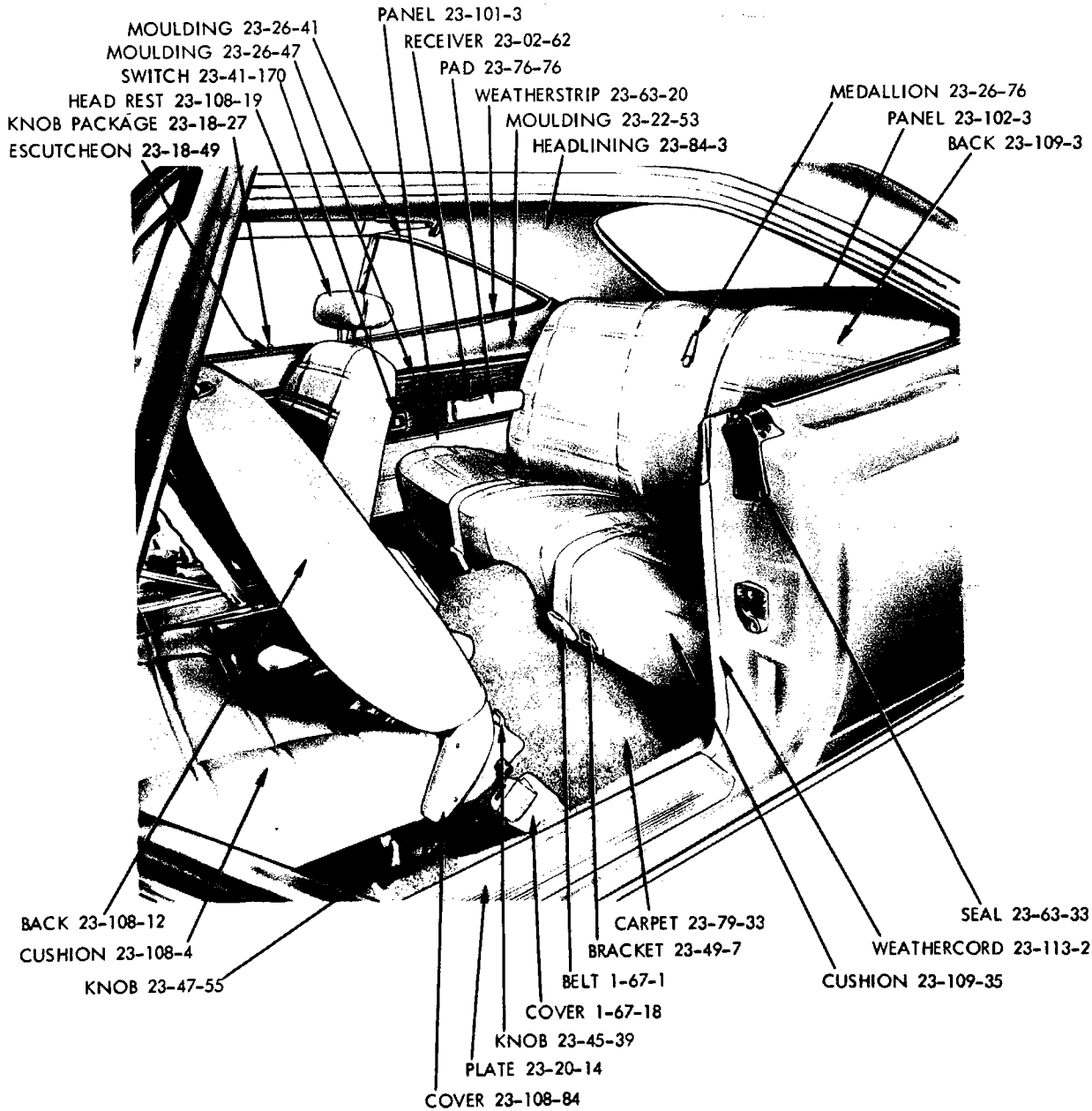
19a2621

REAR INTERIOR - BELVEDERE SPORT SATELLITE R-P 4 DOOR SEDAN



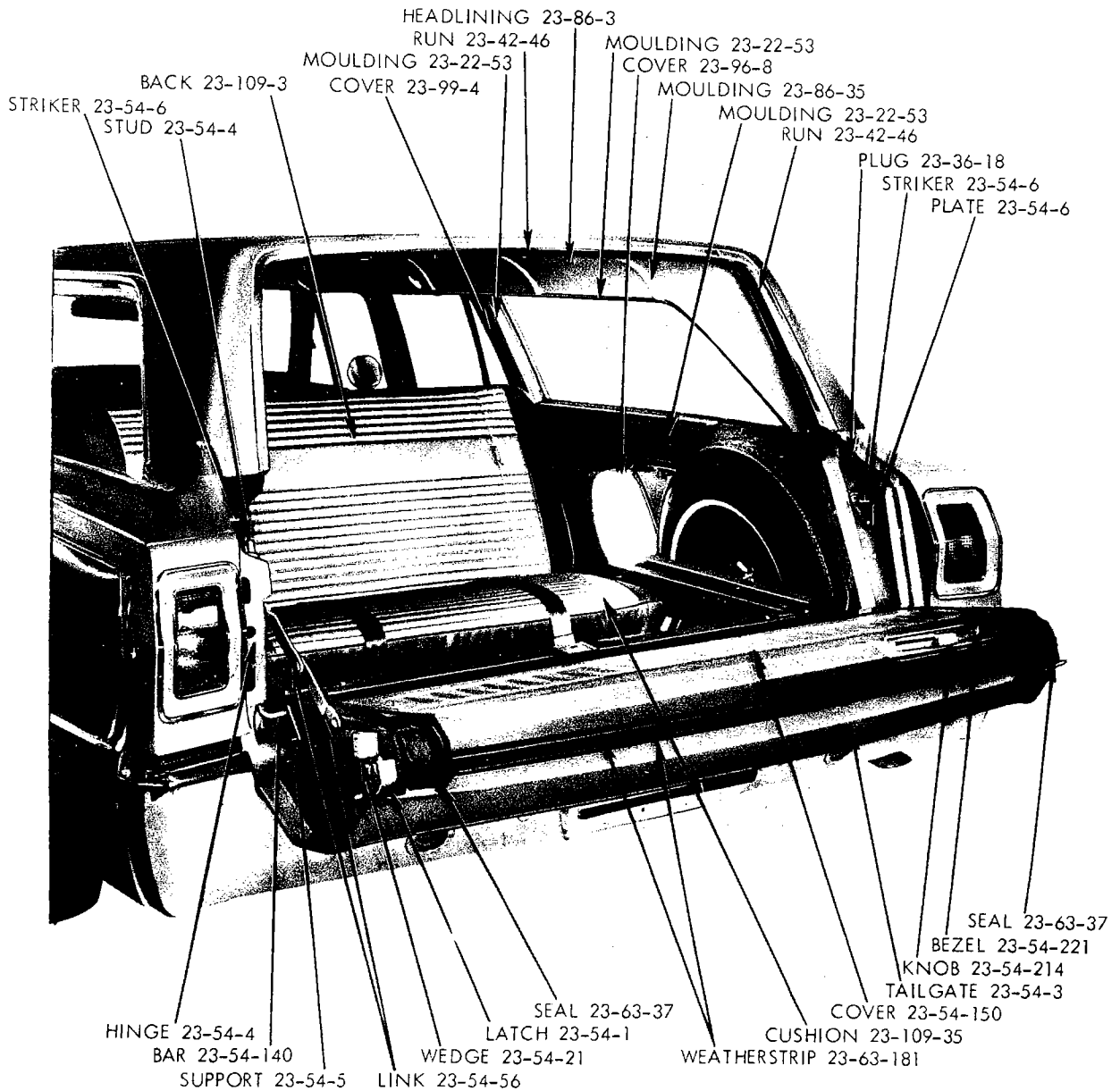
19a2484

FRONT INTERIOR - BELVEDERE SPORT SATELLITE R-P 2 DOOR HARDTOP



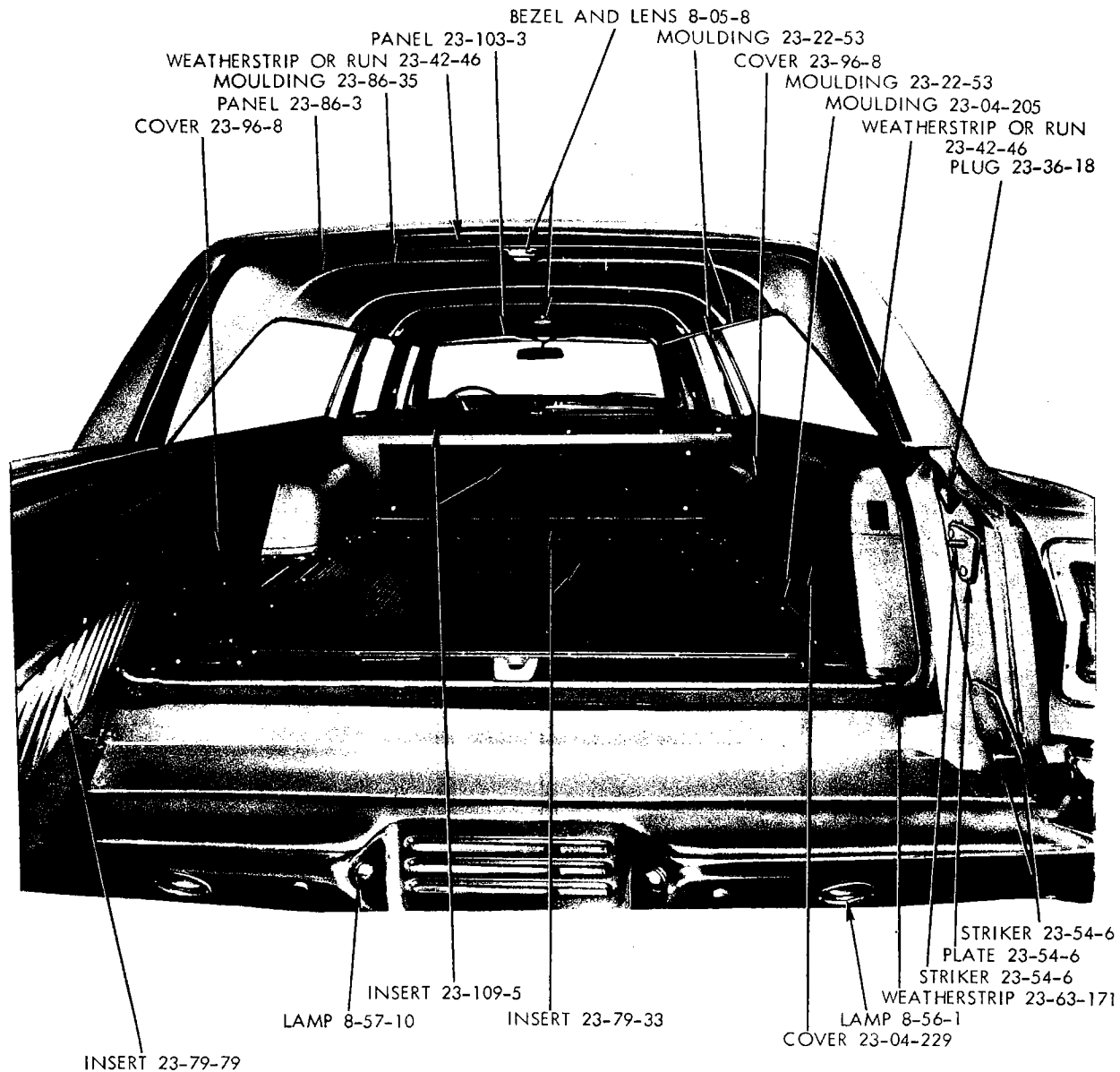
19a2477

REAR INTERIOR - BELVEDERE SPORT SATELLITE R-P 2 DOOR HARDTOP



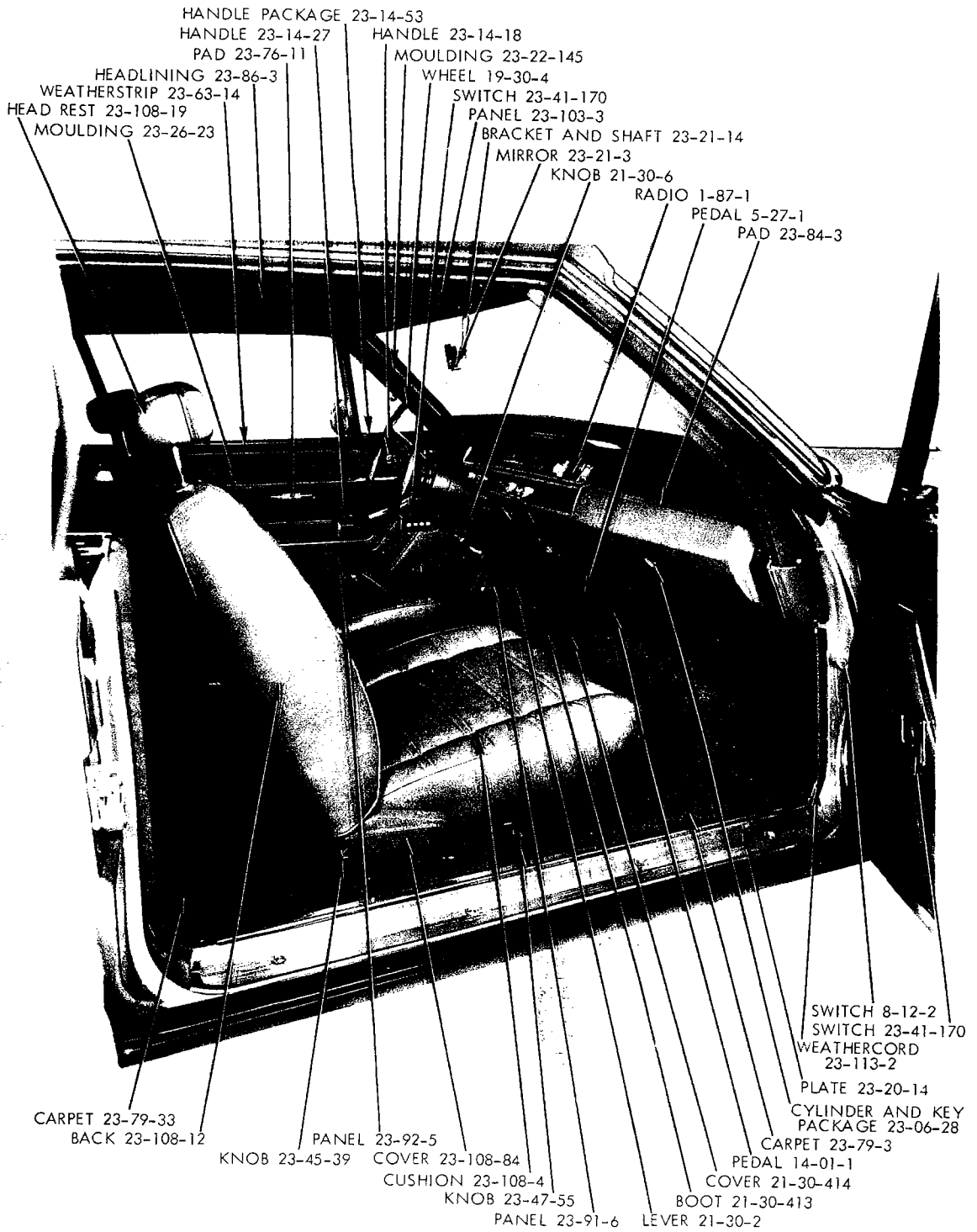
19a2579

REAR INTERIOR - BELVEDERE SPORT SATELLITE R-P STATION WAGON (TYPICAL OF CORONET)



19a2610

REAR INTERIOR - BELVEDERE SPORT SATELLITE R-P STATION WAGON



HANDLE PACKAGE 23-14-53

HANDLE 23-14-27

HANDLE 23-14-18

PAD 23-76-11

MOULDING 23-22-145

WHEEL 19-30-4

HEADLINING 23-86-3

WEATHERSTRIP 23-63-14

HEAD REST 23-108-19

MOULDING 23-26-23

SWITCH 23-41-170

PANEL 23-103-3

BRACKET AND SHAFT 23-21-14

MIRROR 23-21-3

KNOB 21-30-6

RADIO 1-87-1

PEDAL 5-27-1

PAD 23-84-3

SWITCH 8-12-2

SWITCH 23-41-170

WEATHERCORD
23-113-2

PLATE 23-20-14

CYLINDER AND KEY
PACKAGE 23-06-28

CARPET 23-79-3

PEDAL 14-01-1

COVER 21-30-414

BOOT 21-30-413

PANEL 23-91-6 LEVER 21-30-2

CARPET 23-79-33

BACK 23-108-12

PANEL 23-92-5

KNOB 23-45-39

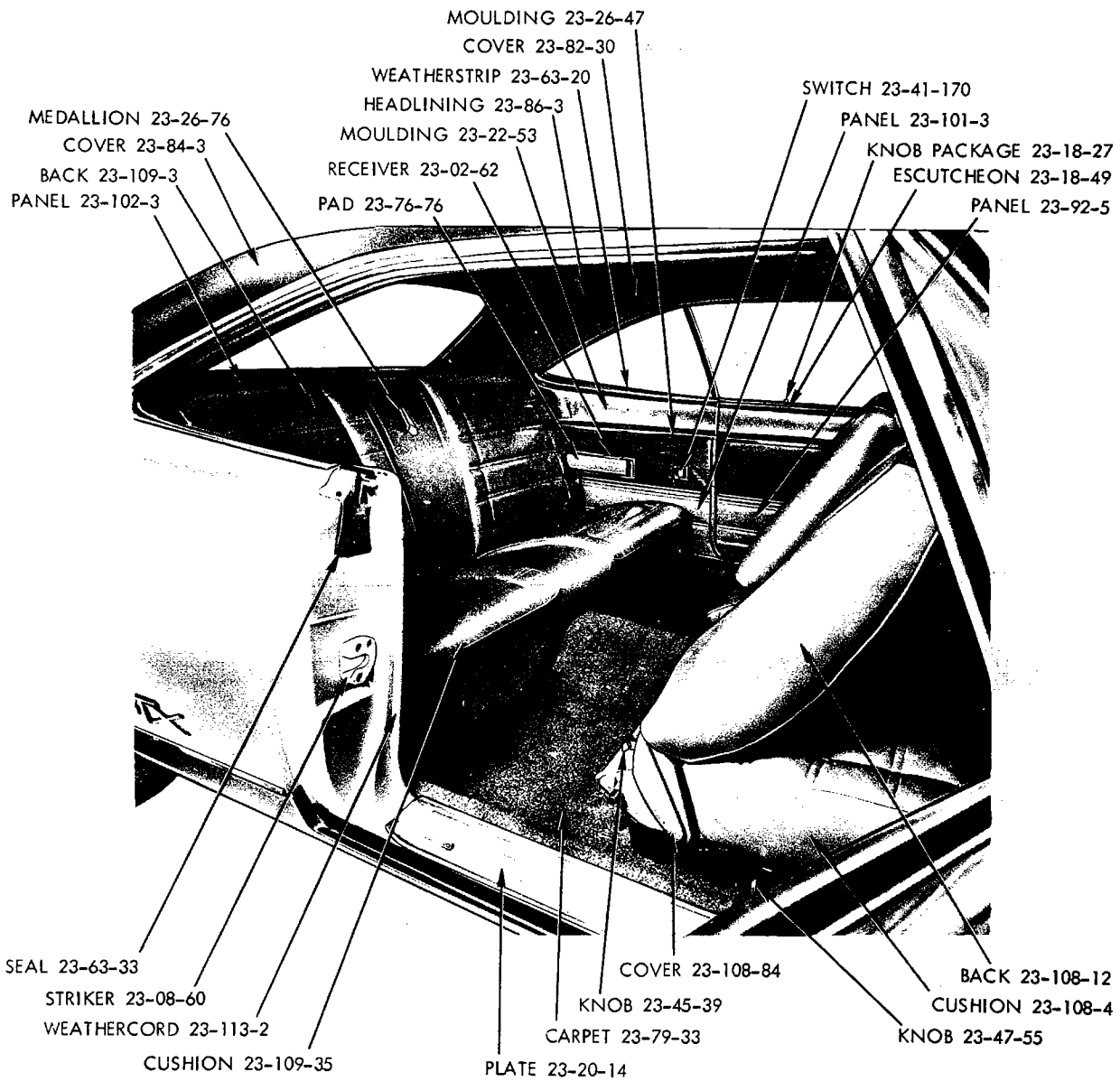
COVER 23-108-84

CUSHION 23-108-4

KNOB 23-47-55

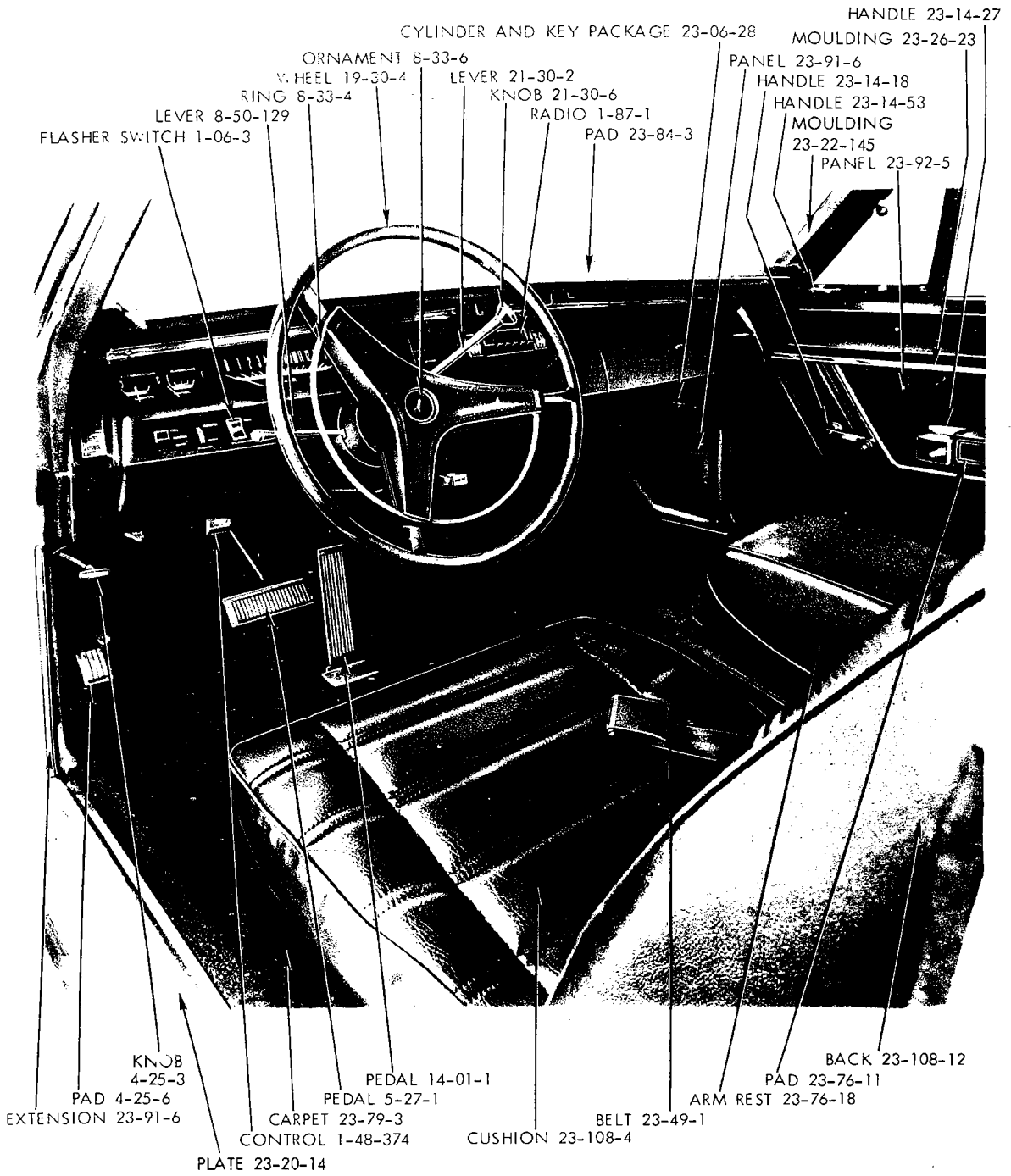
19a2426

FRONT INTERIOR - BELVEDERE GTX R-S 2 DOOR HARDTOP



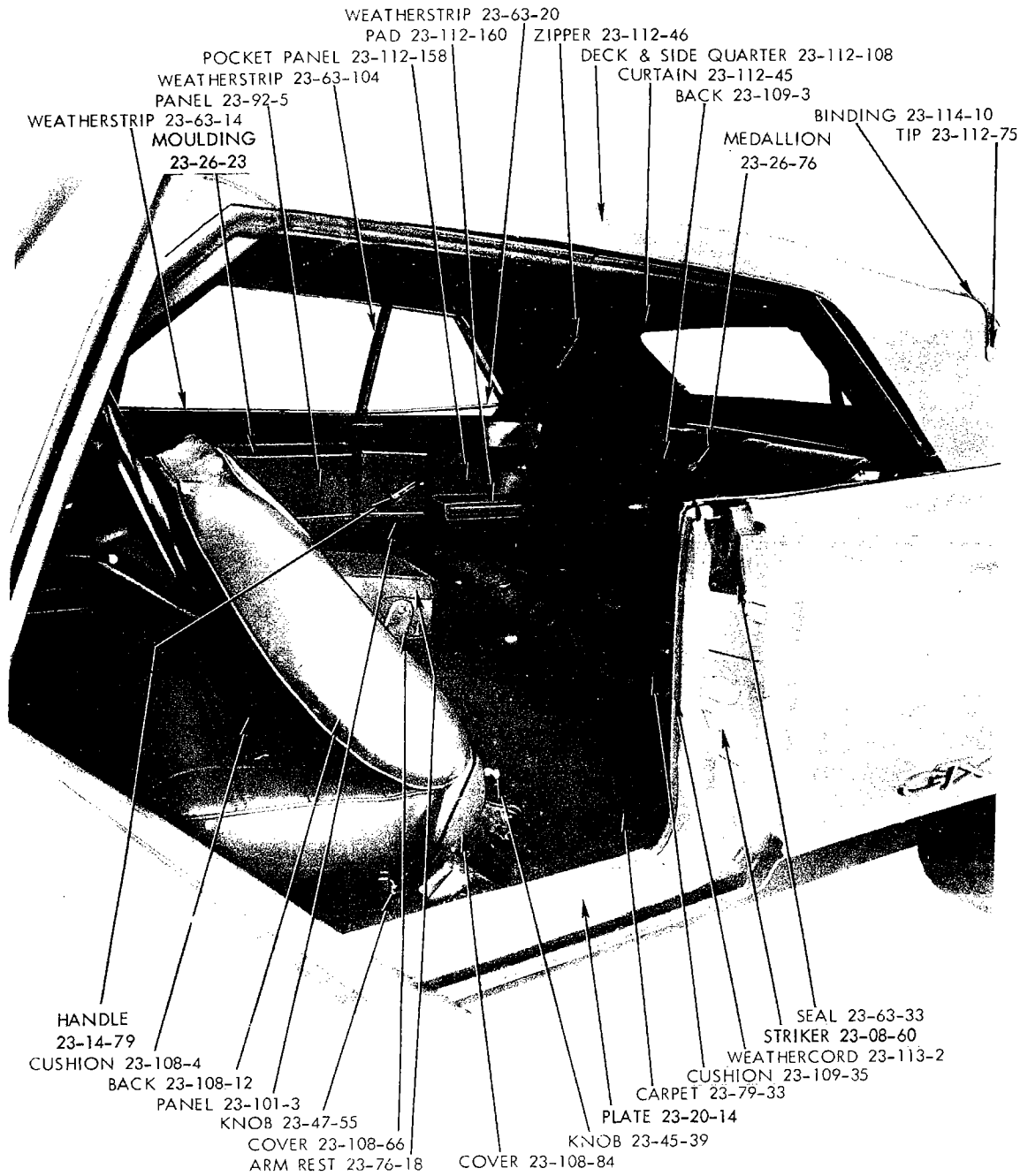
19a2417

REAR INTERIOR - BELVEDERE GTX R-S 2 DOOR HARDTOP



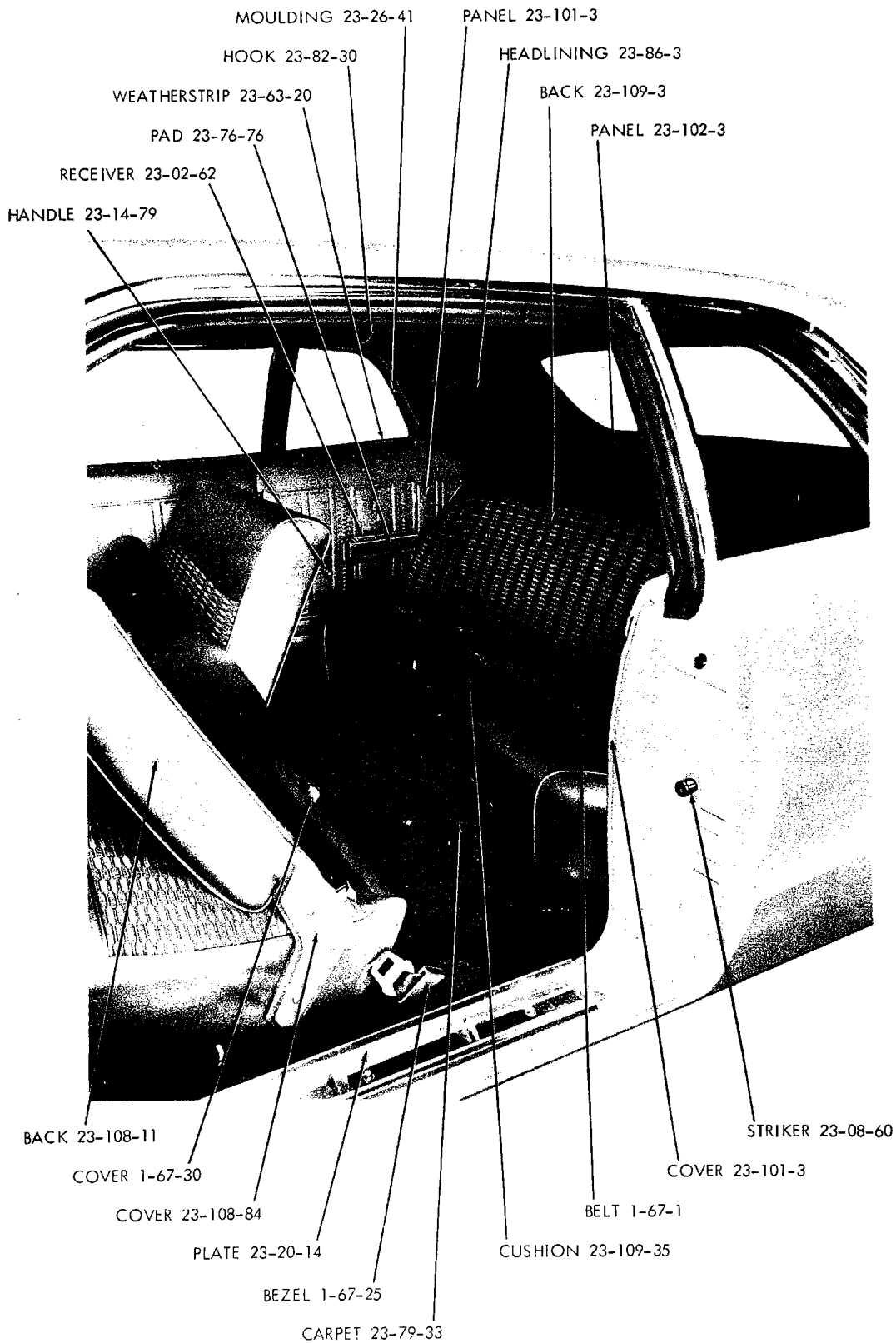
19a2707

FRONT INTERIOR - BELVEDERE GTX R-S CONVERTIBLE COUPE



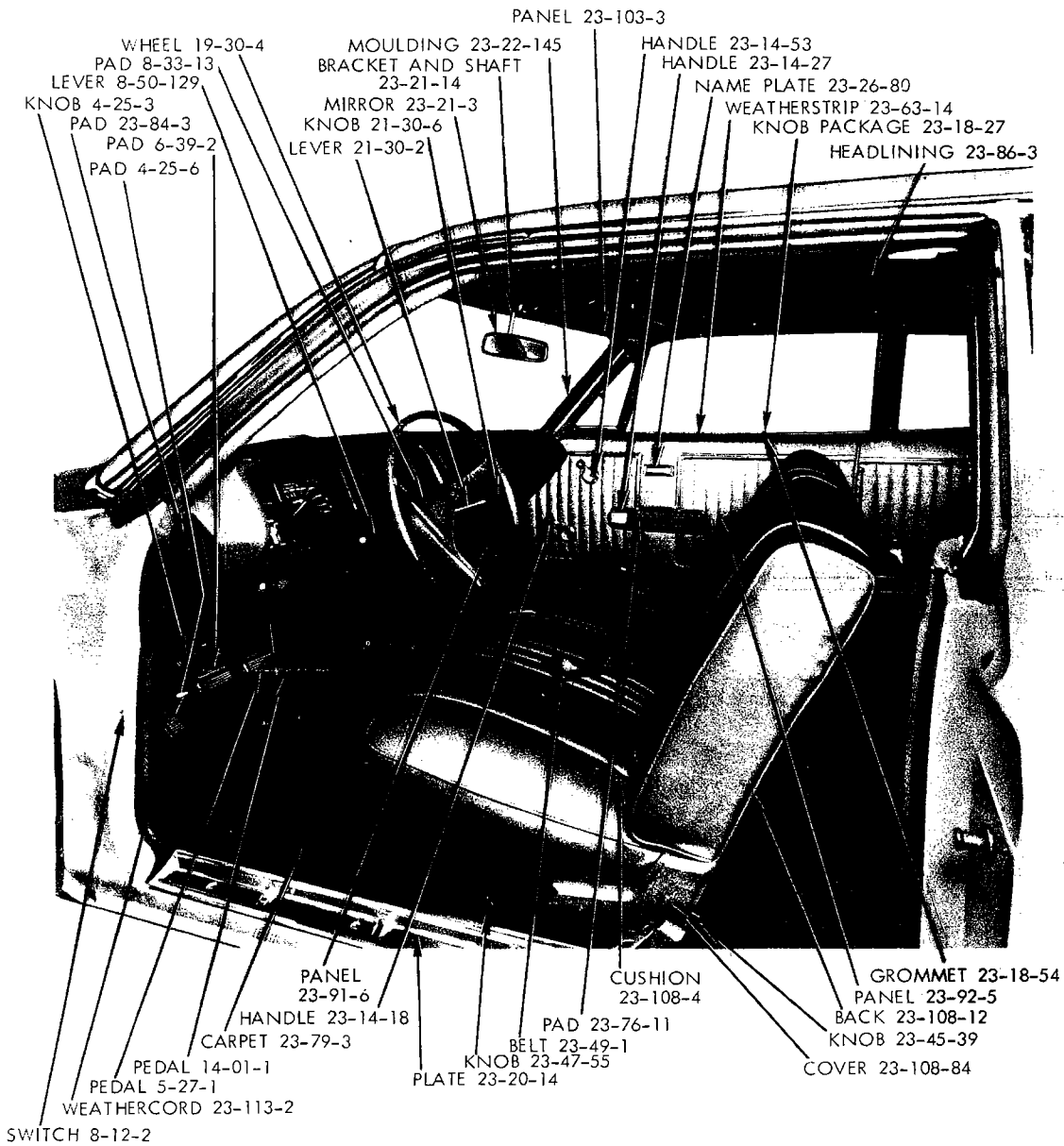
19a2677

REAR INTERIOR - BELVEDERE GTX R-S CONVERTIBLE COUPE



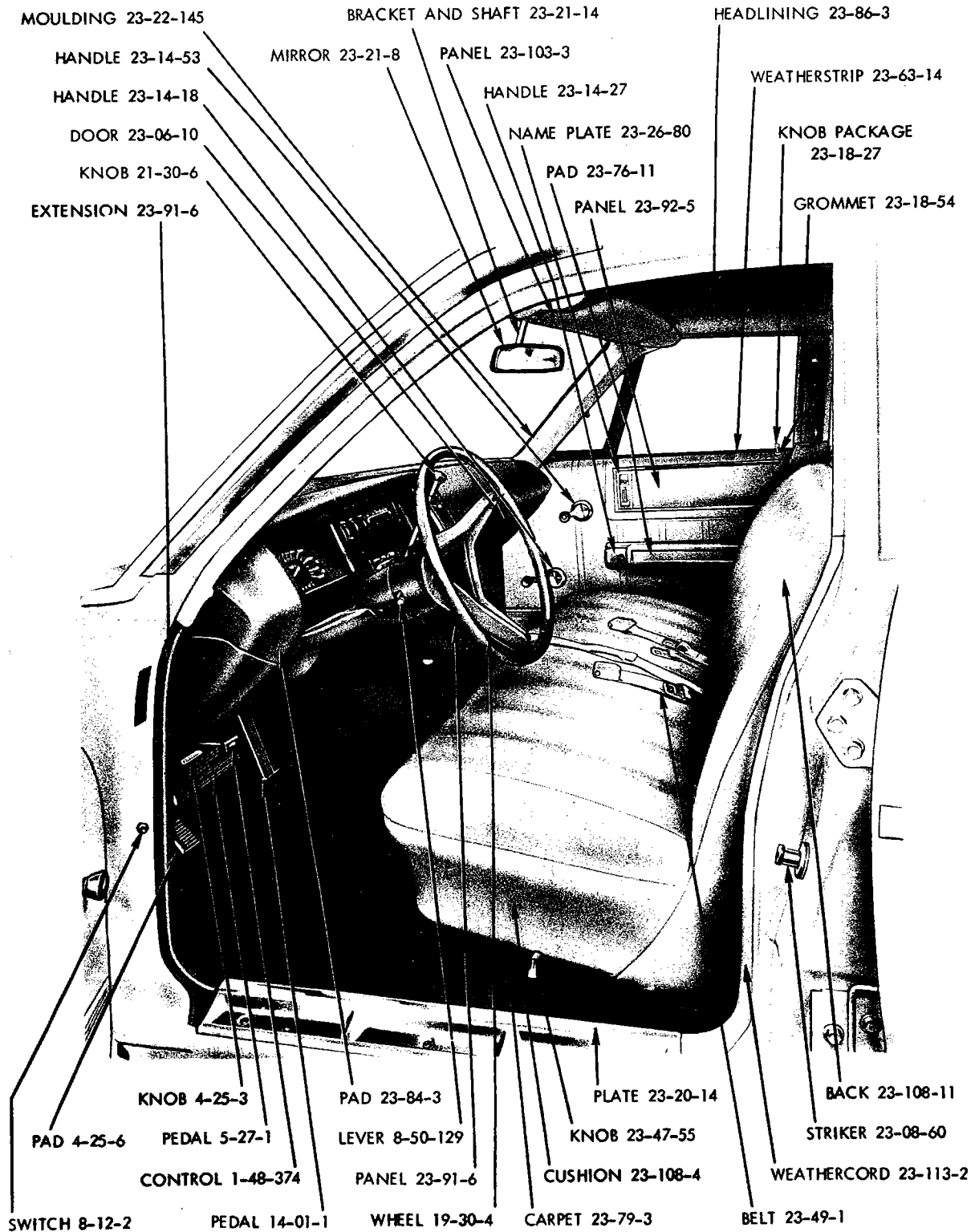
19a2664

REAR INTERIOR - PLYMOUTH FURY I P-E 2 DOOR SEDAN



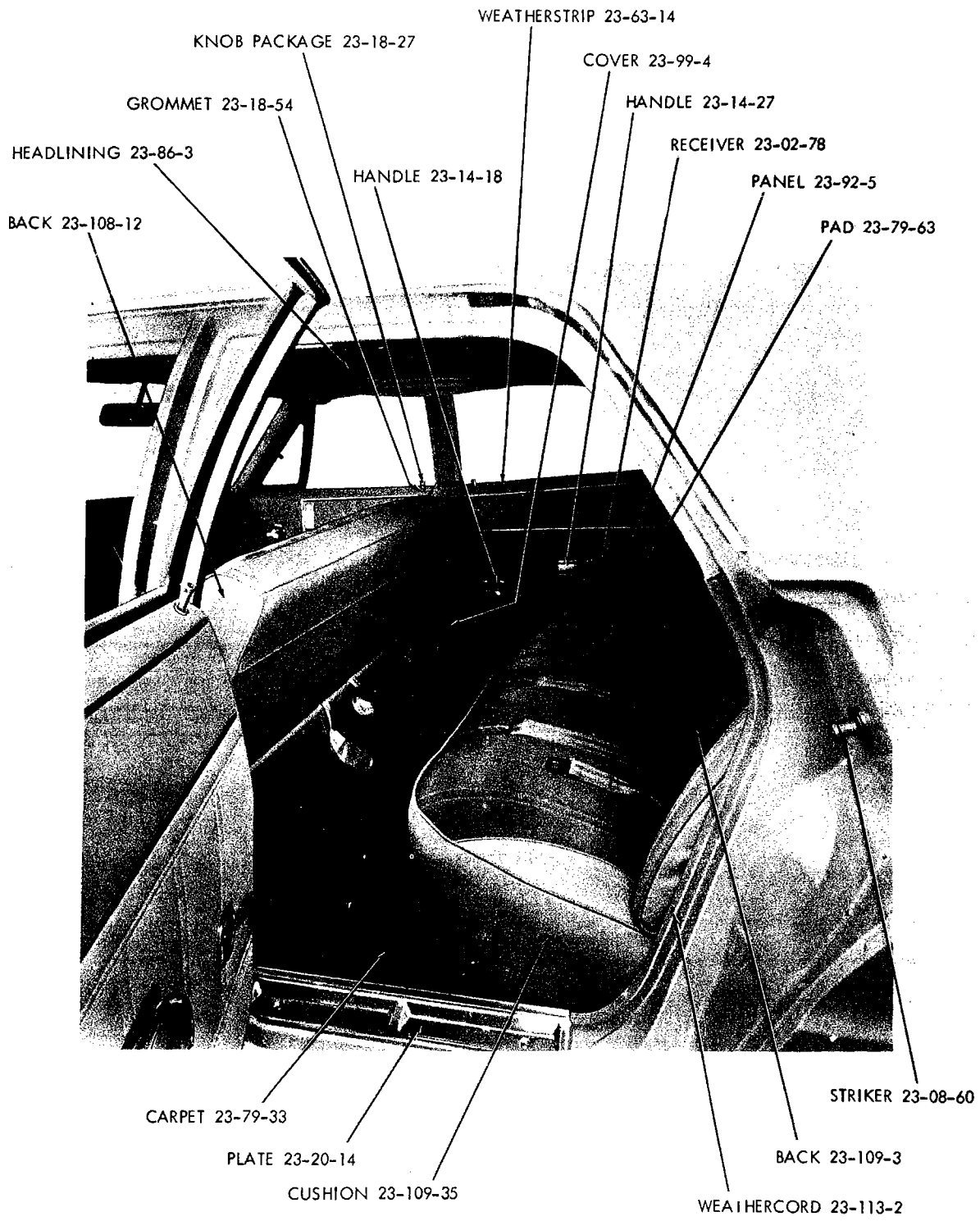
19a2466

FRONT INTERIOR - PLYMOUTH FURY II P-L 2 DOOR HARDTOP



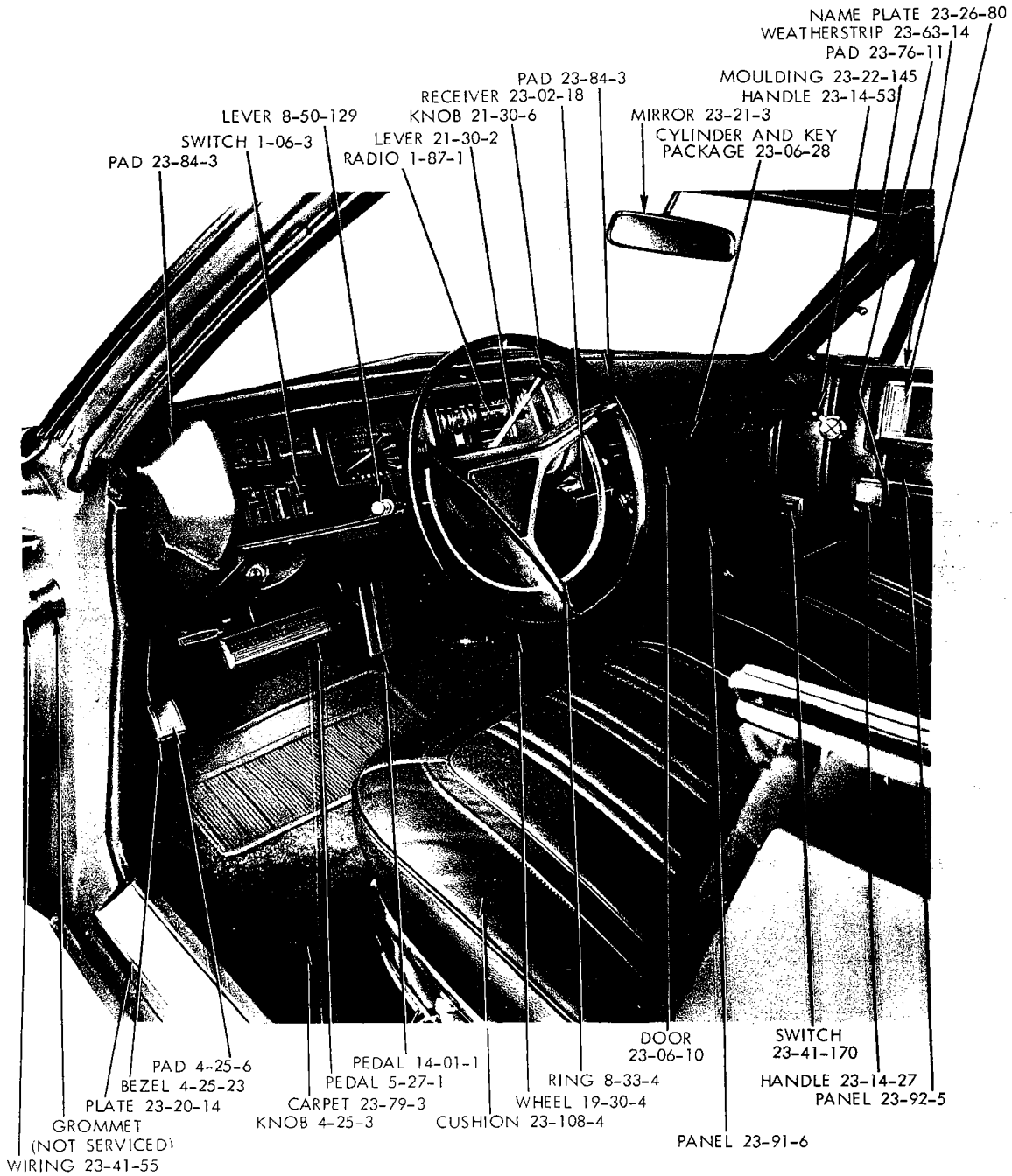
19a2653

FRONT INTERIOR - PLYMOUTH FURY III P-M 4 DOOR SEDAN



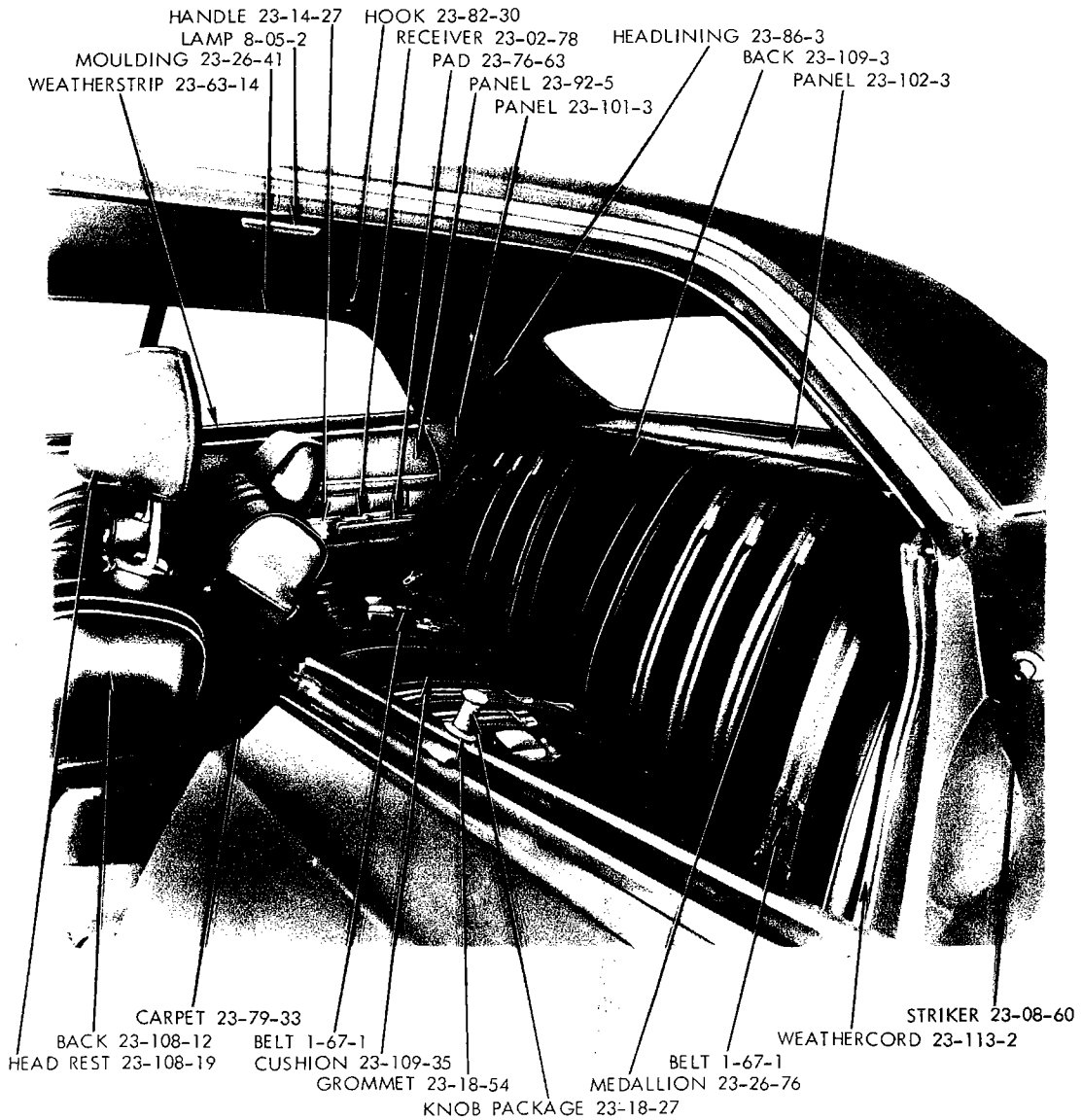
19a2649

REAR INTERIOR - PLYMOUTH FURY III P-M 4 DOOR SEDAN



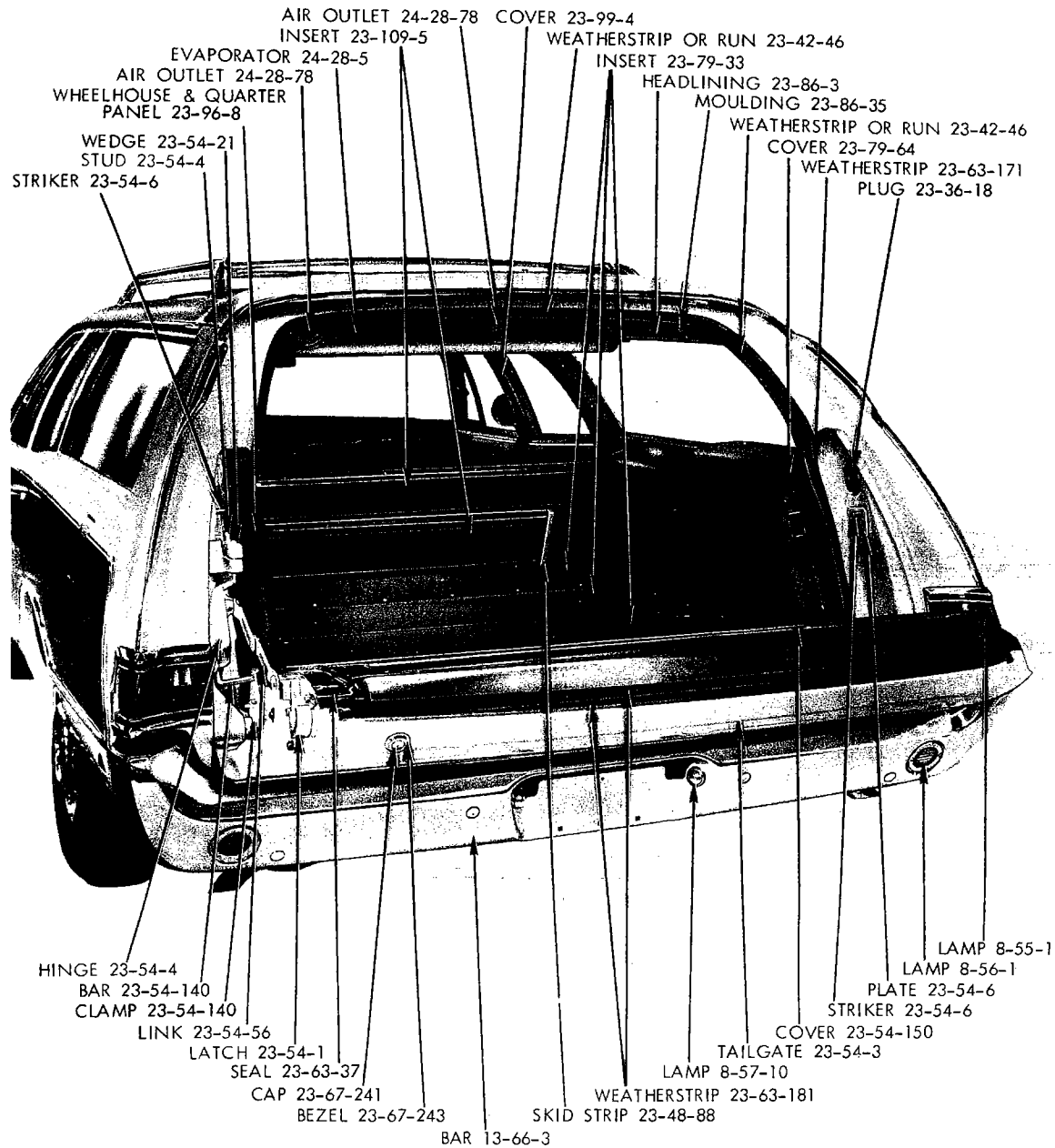
19a2420

FRONT INTERIOR - PLYMOUTH FURY III P-M 4 DOOR HARDTOP



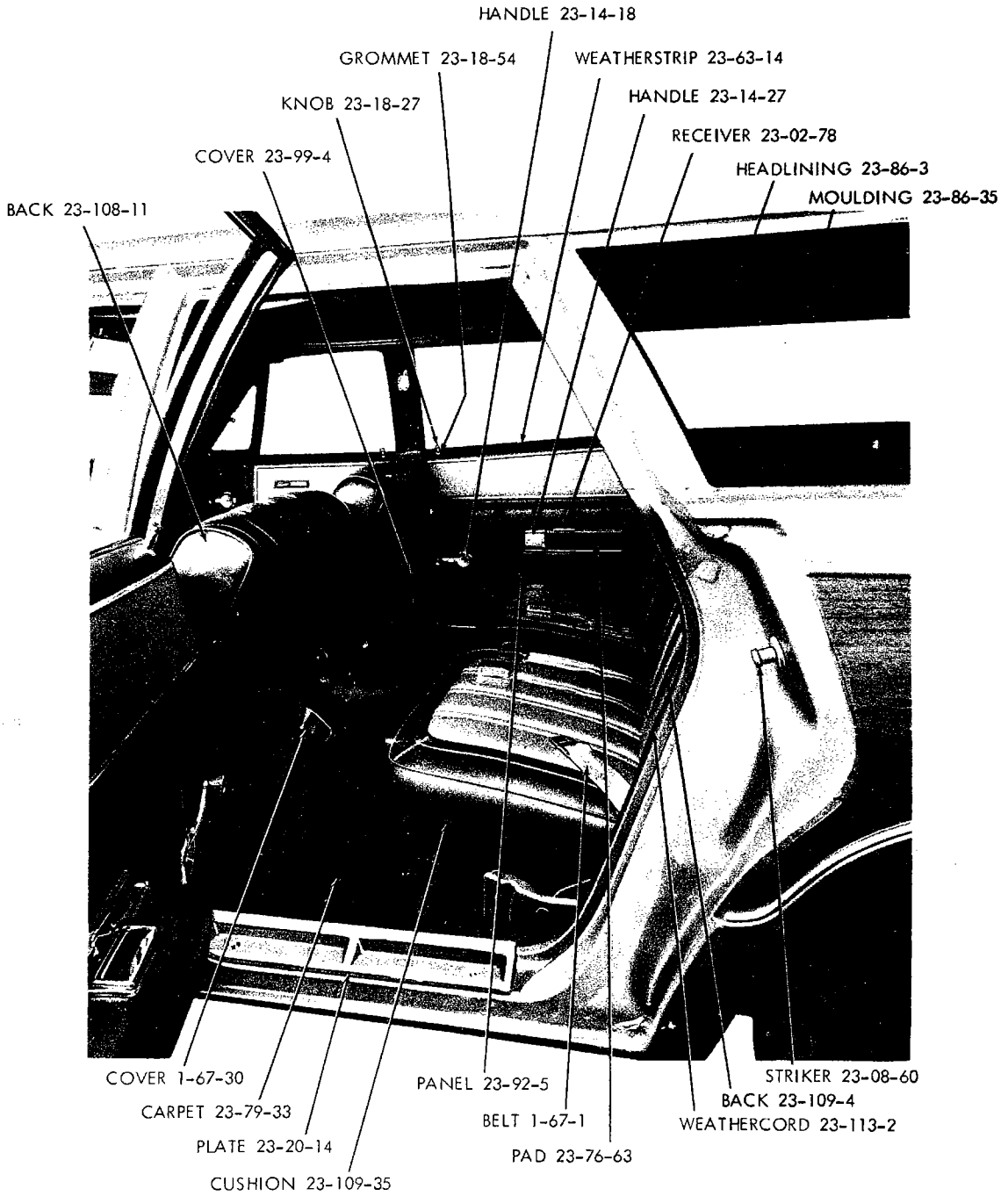
19a2410

REAR INTERIOR - PLYMOUTH FURY III P-M 4 DOOR HARDTOP



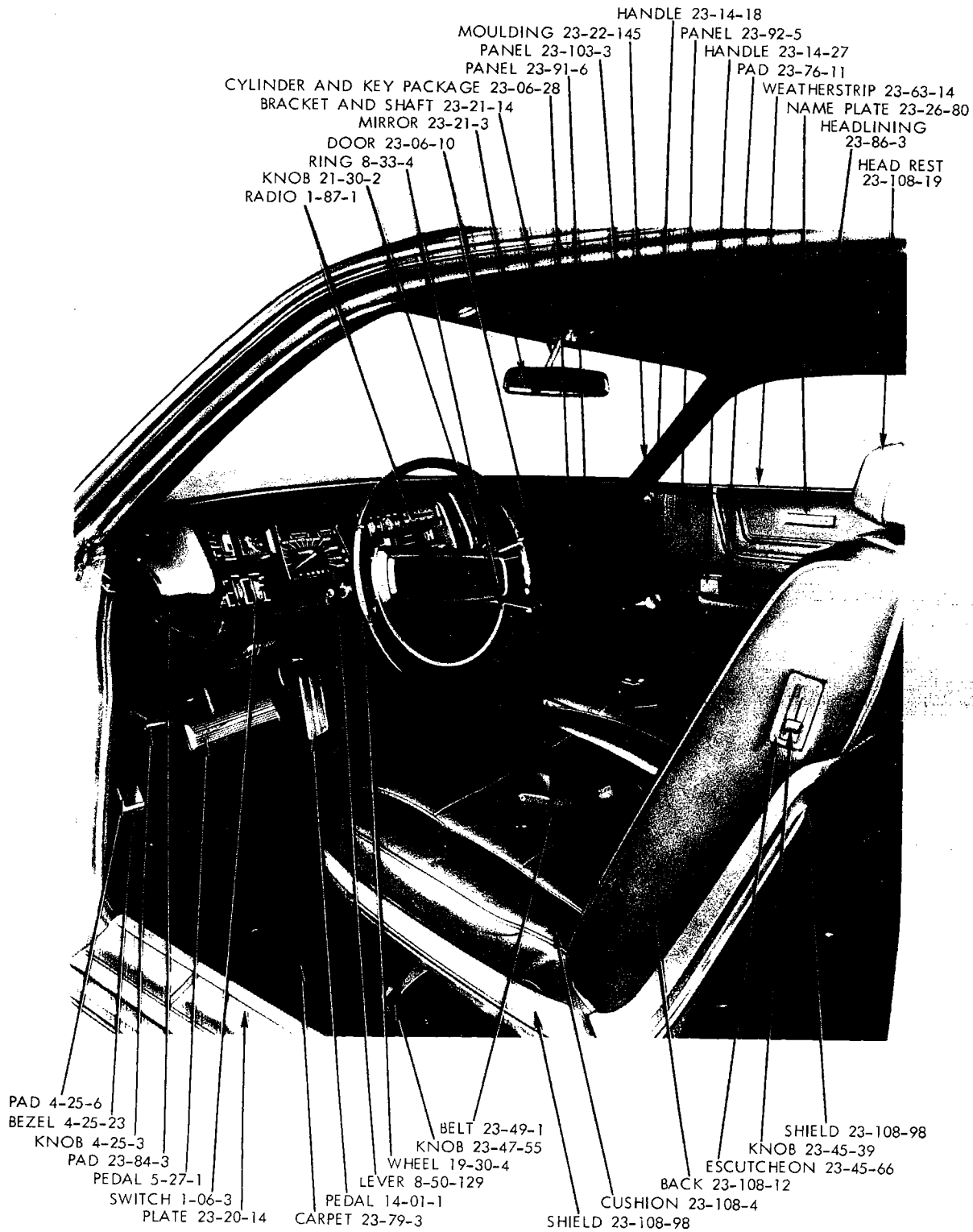
19a2594

REAR INTERIOR VIEW - PLYMOUTH FURY III P-M SPORT SUBURBAN



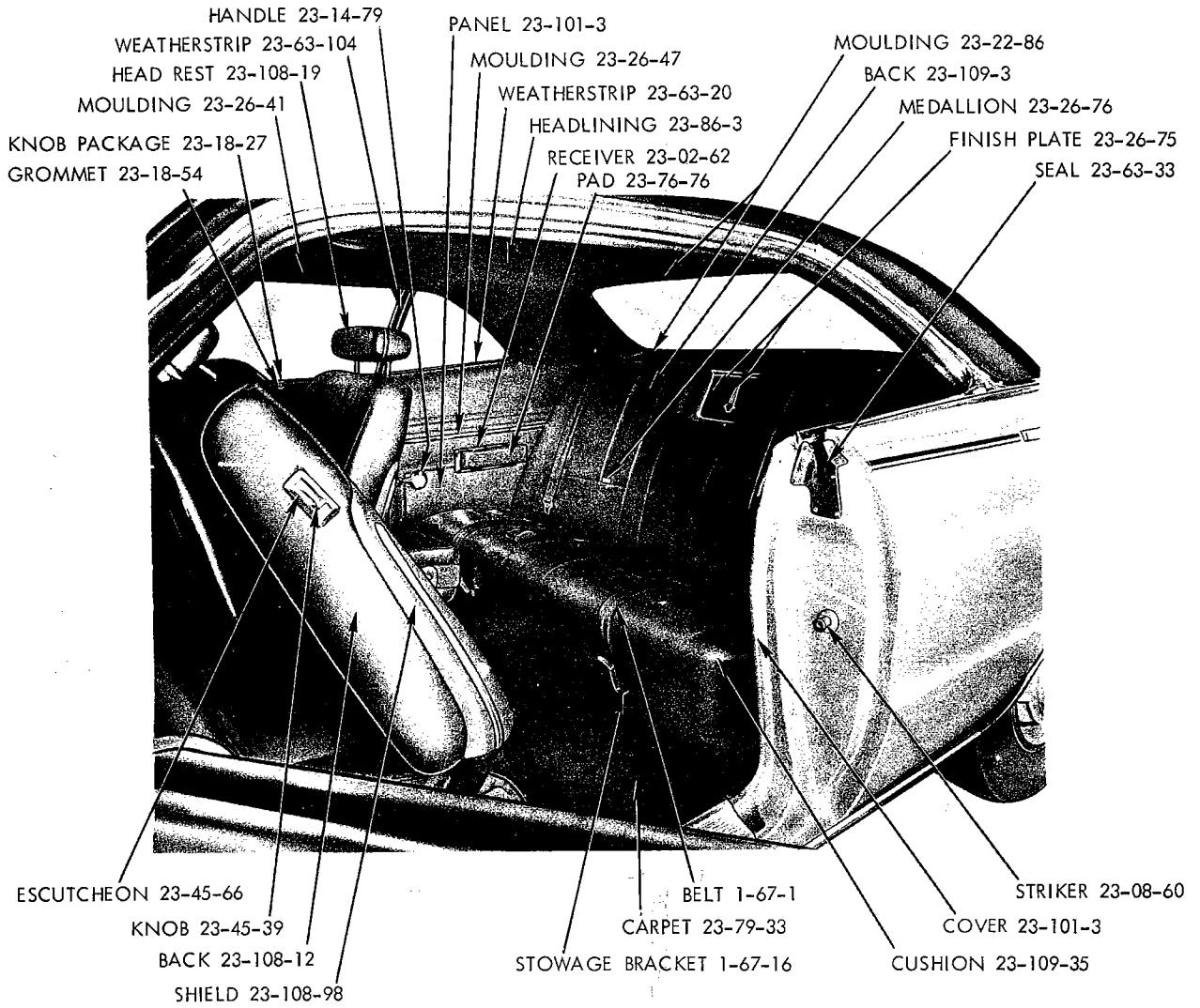
19a2665

REAR INTERIOR - PLYMOUTH FURY III P-M SPORT SUBURBAN



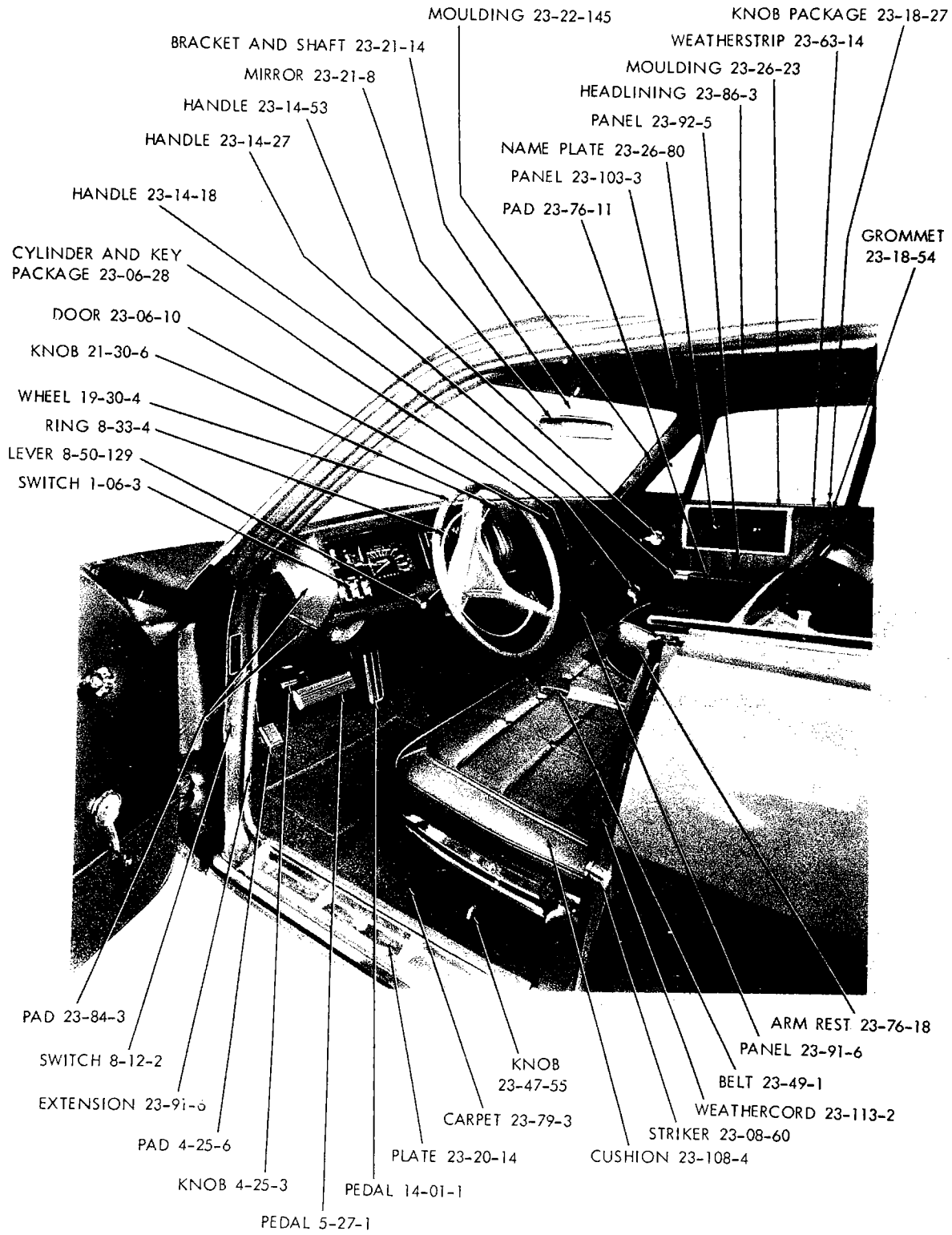
19a2500

FRONT INTERIOR - PLYMOUTH SPORT FURY P-H 2 DOOR HARDTOP



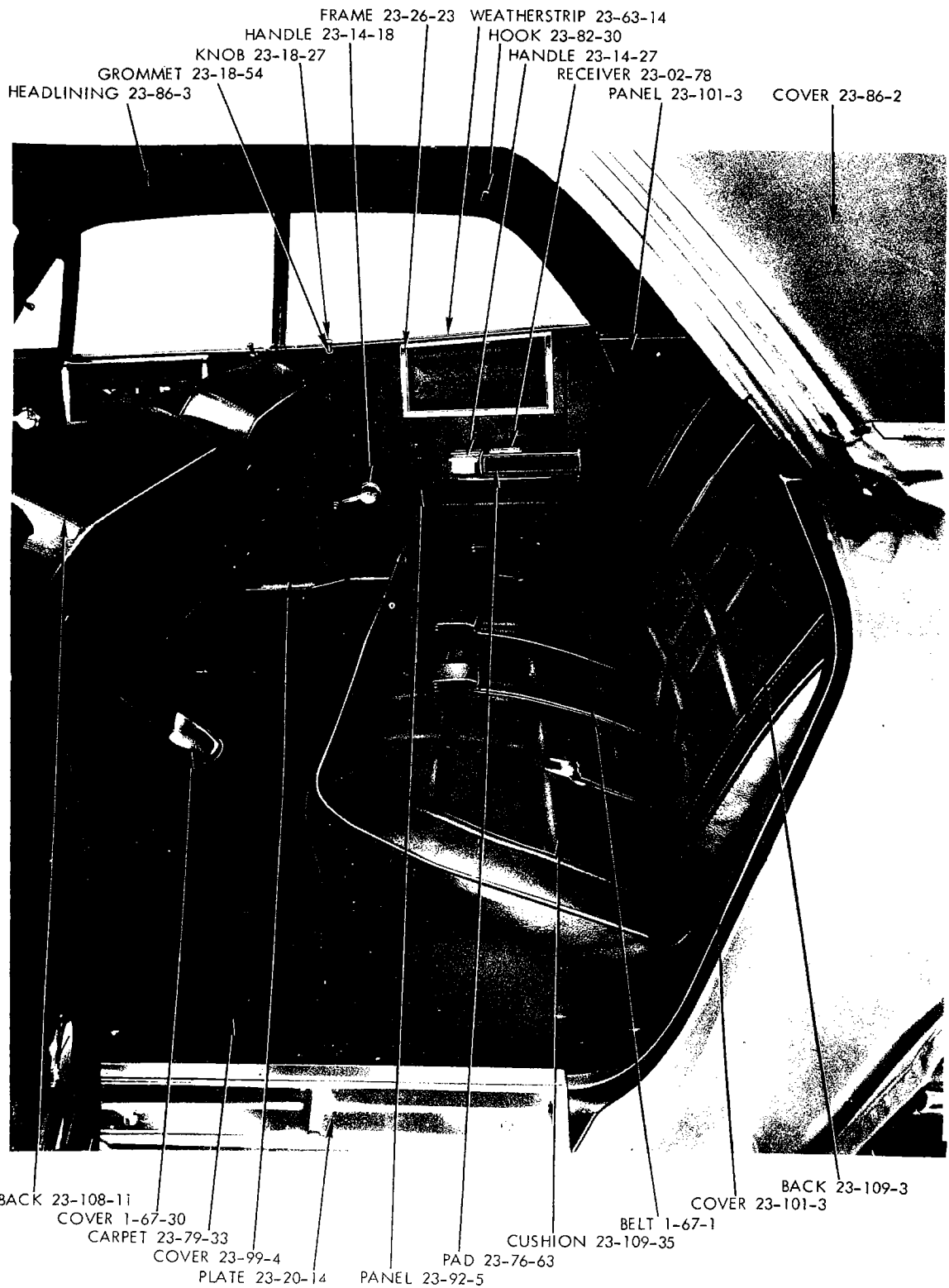
19a2495B

REAR INTERIOR - PLYMOUTH SPORT FURY P-H 2 DOOR HARDTOP



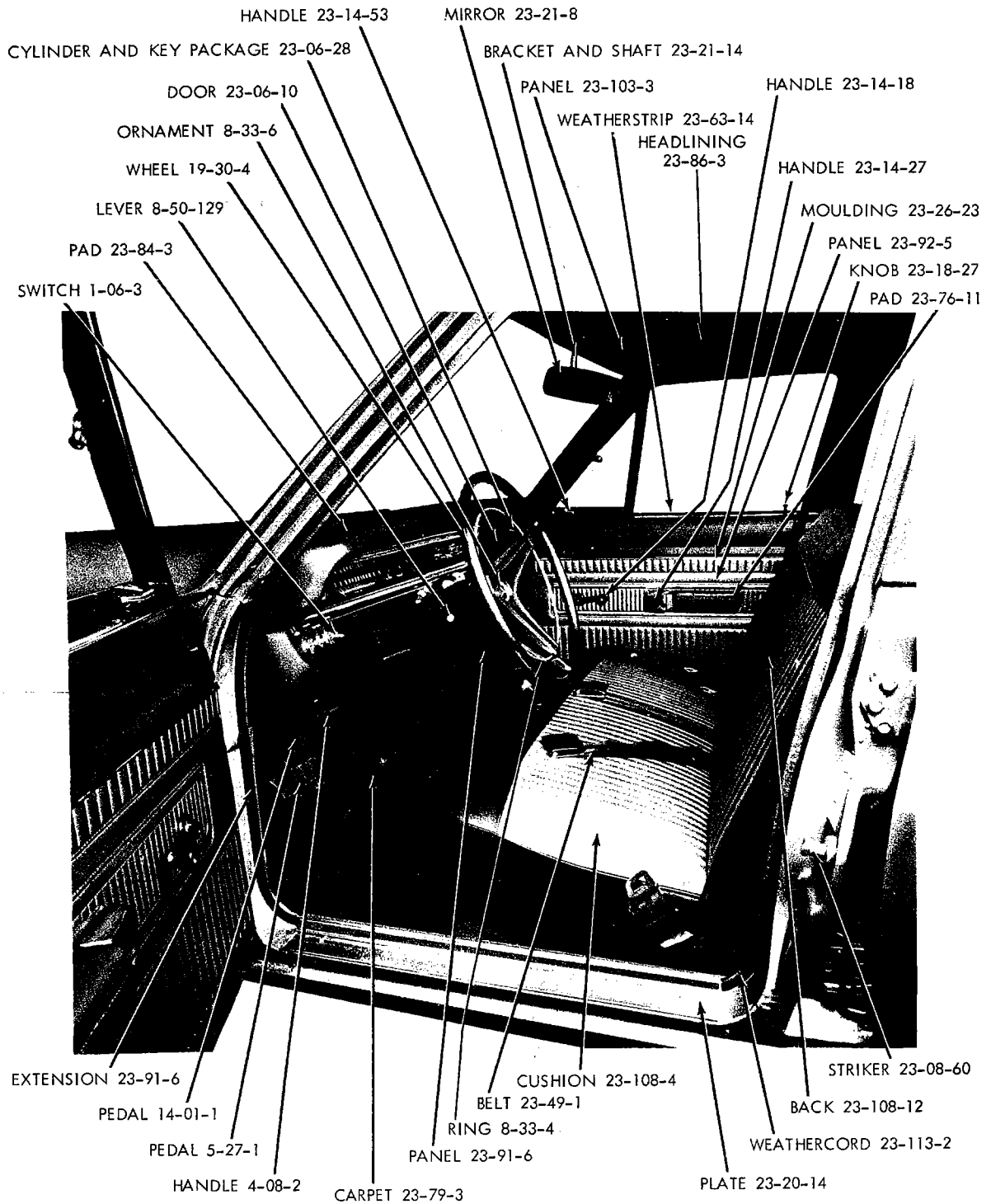
19a2651

FRONT INTERIOR - PLYMOUTH VIP P-P 4 DOOR HARDTOP



19a2663

REAR INTERIOR - PLYMOUTH VIP P-P 4 DOOR HARDTOP



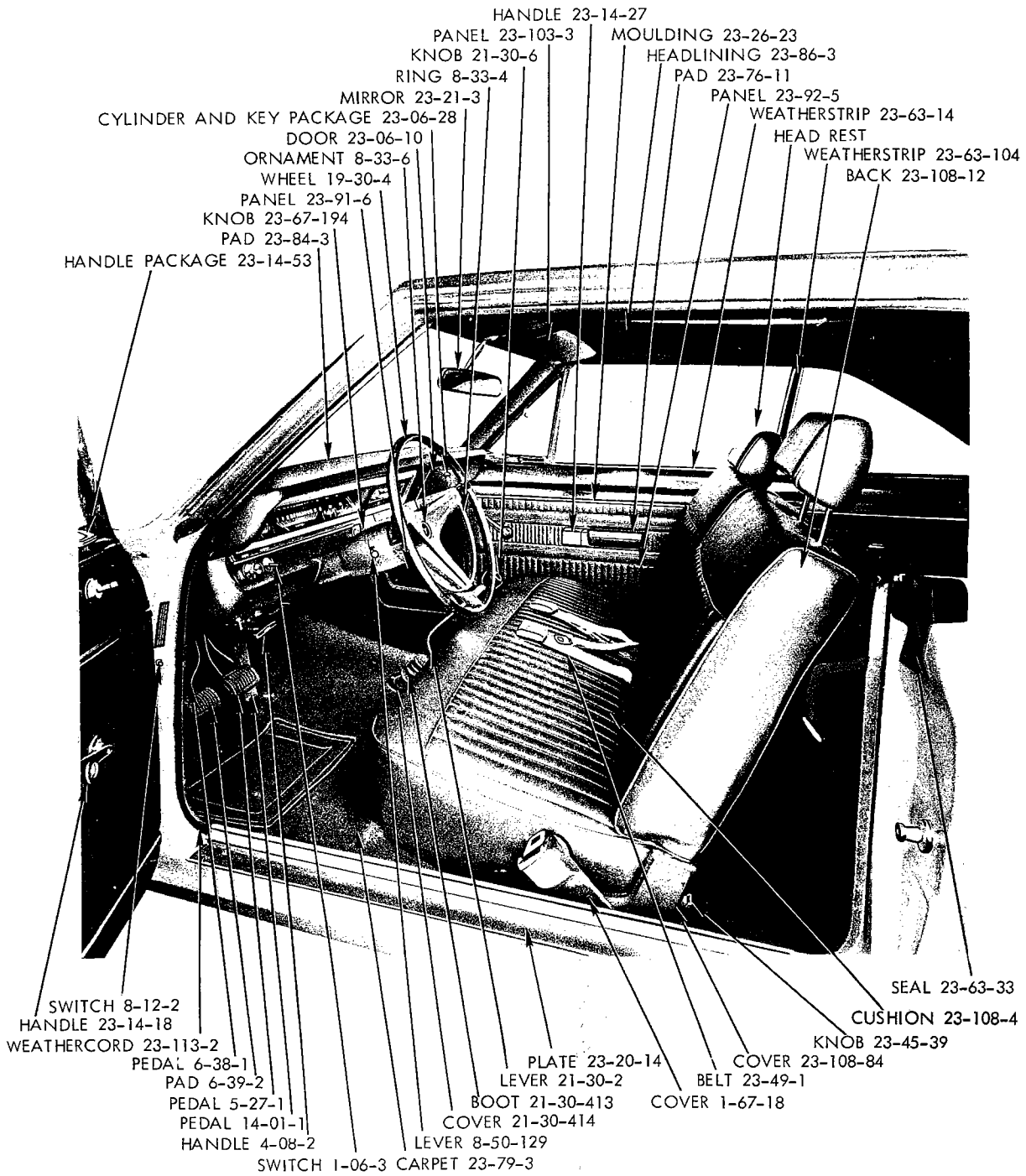
19a2637

FRONT INTERIOR - DART L-L 4 DOOR SEDAN



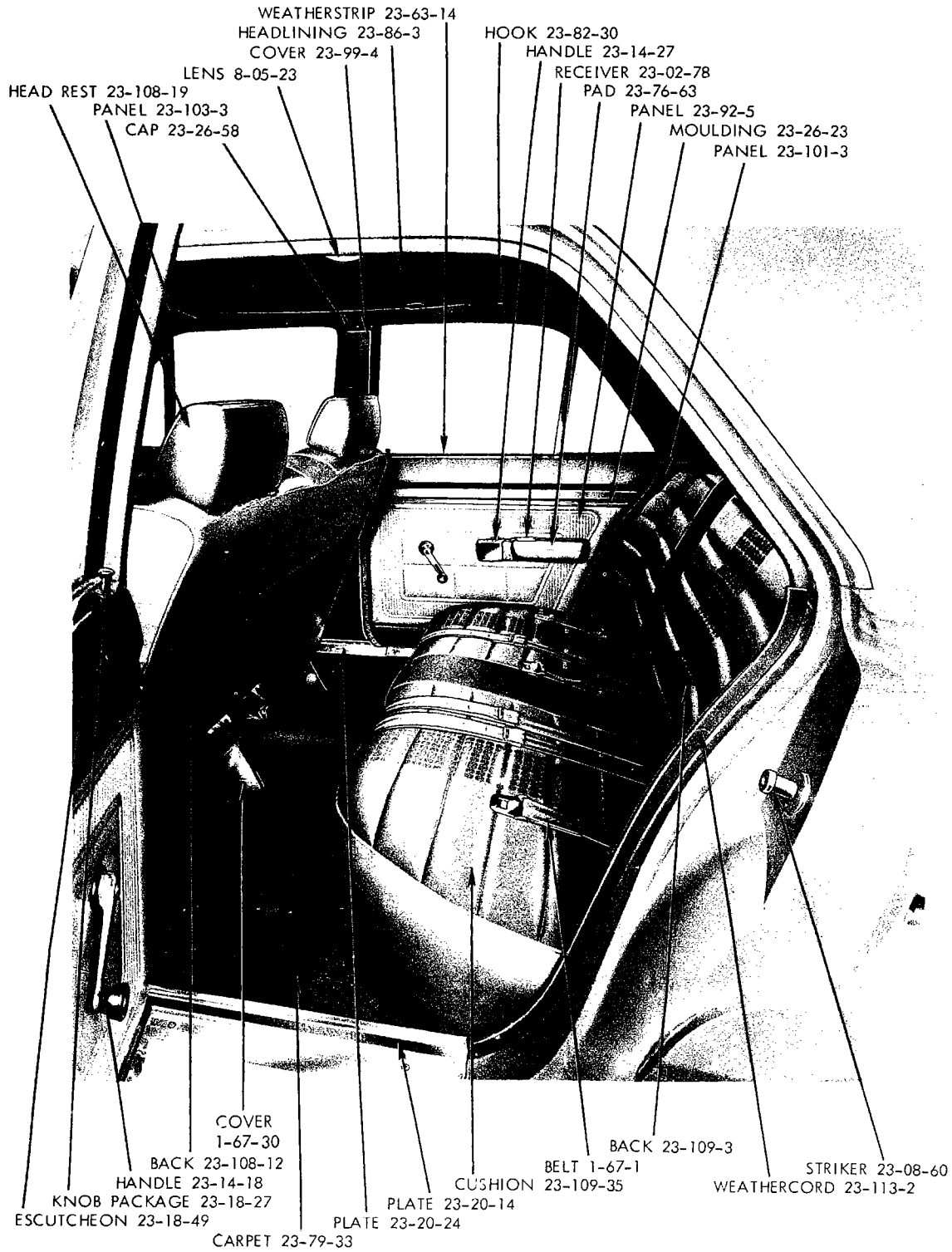
19a2623

REAR INTERIOR - DART L-L 4 DOOR SEDAN



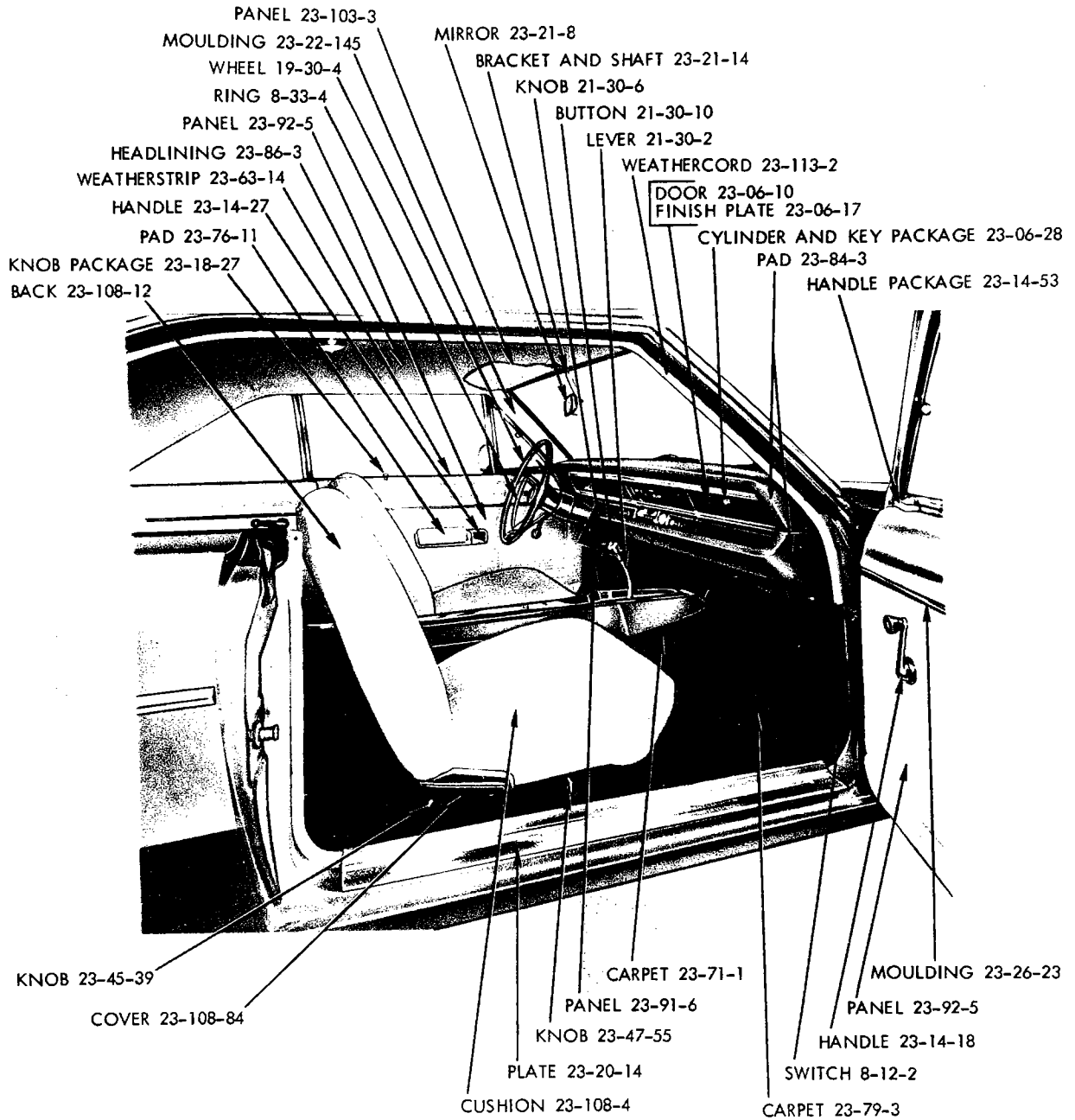
19a2482B

FRONT INTERIOR - DART (SWINGER) L-L 2 DOOR HARDTOP



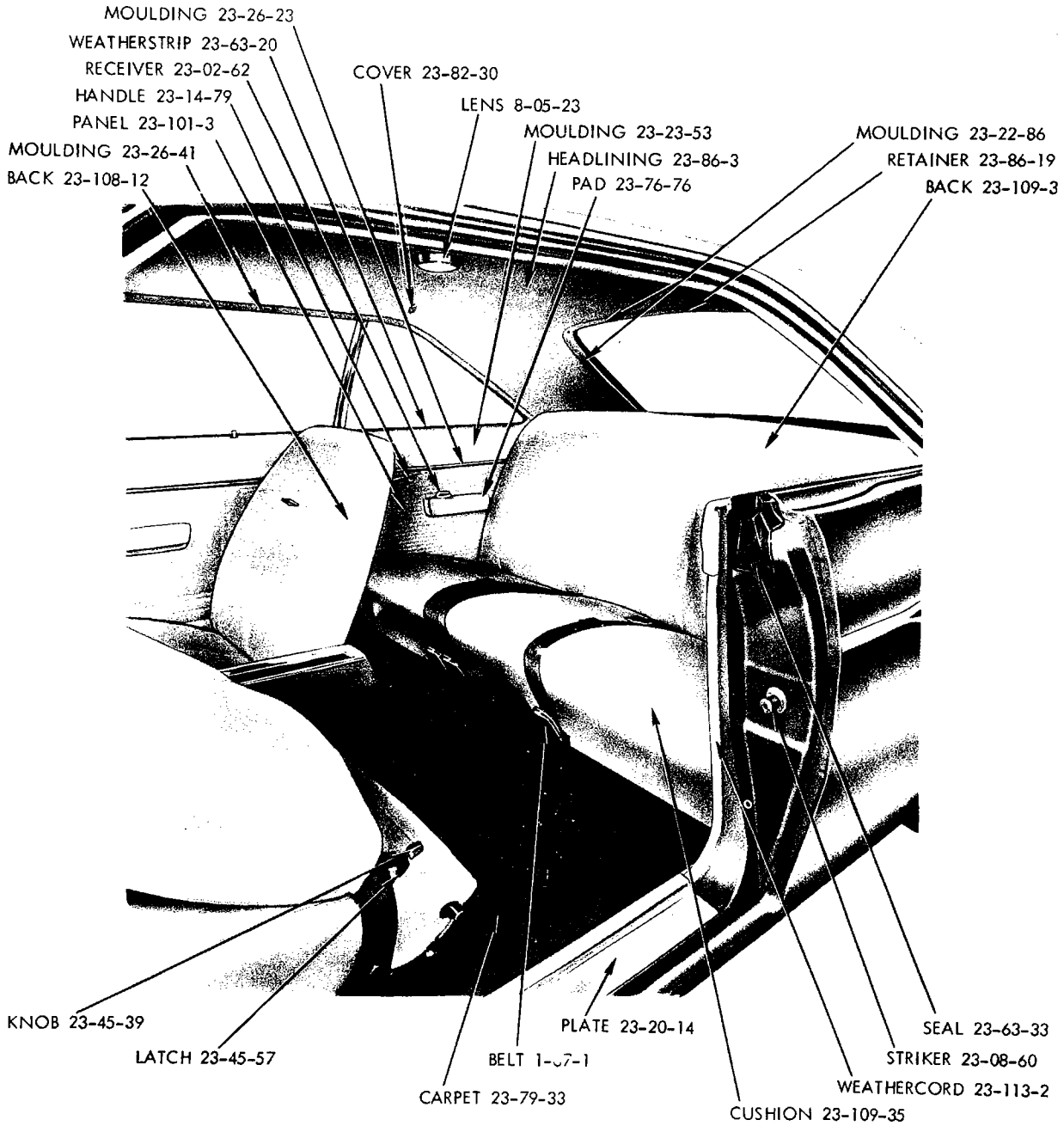
19a2529 A

REAR INTERIOR - DART CUSTOM L-H 4 DOOR SEDAN



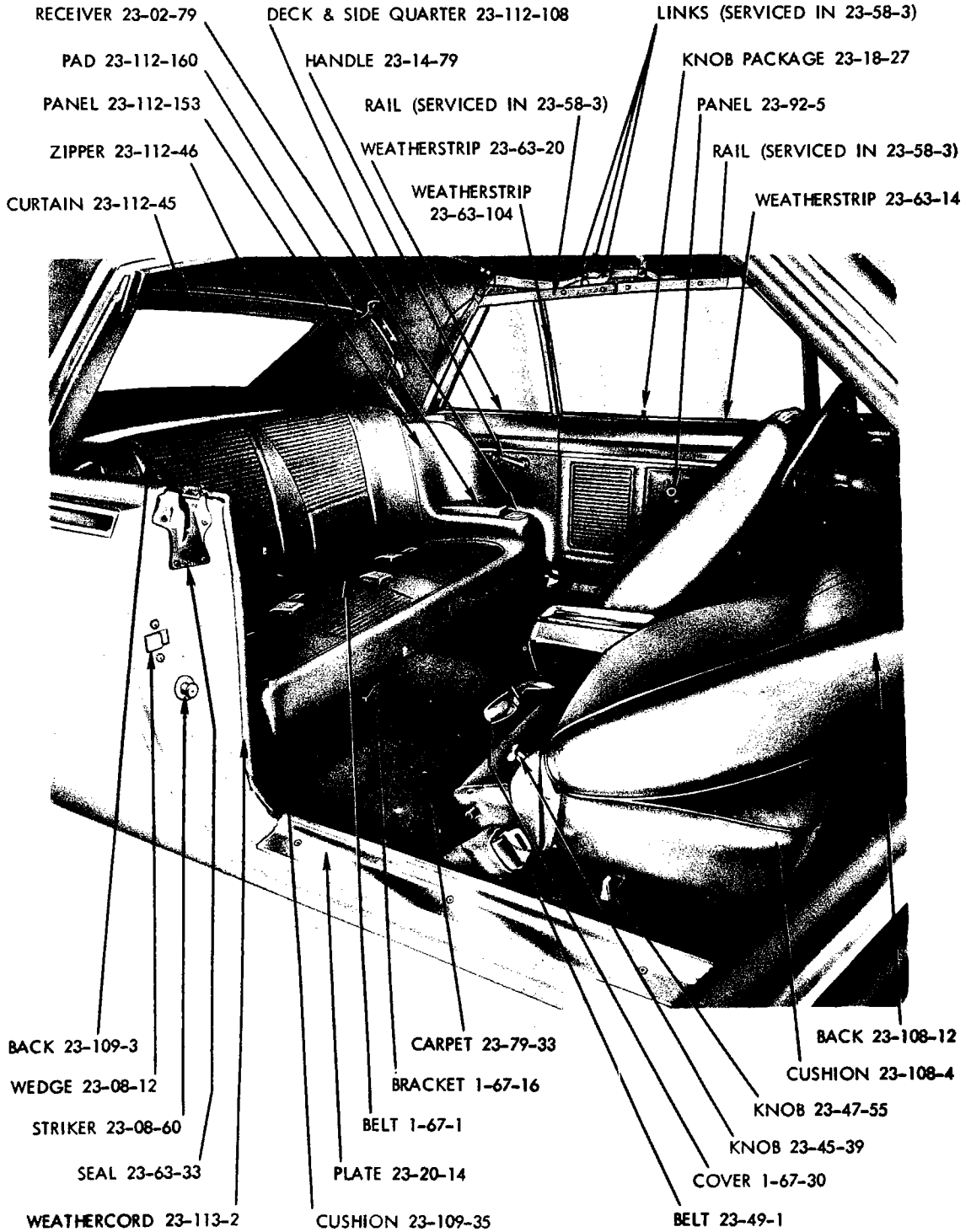
19a2419

FRONT INTERIOR - DART CUSTOM L-H 2 DOOR HARDTOP



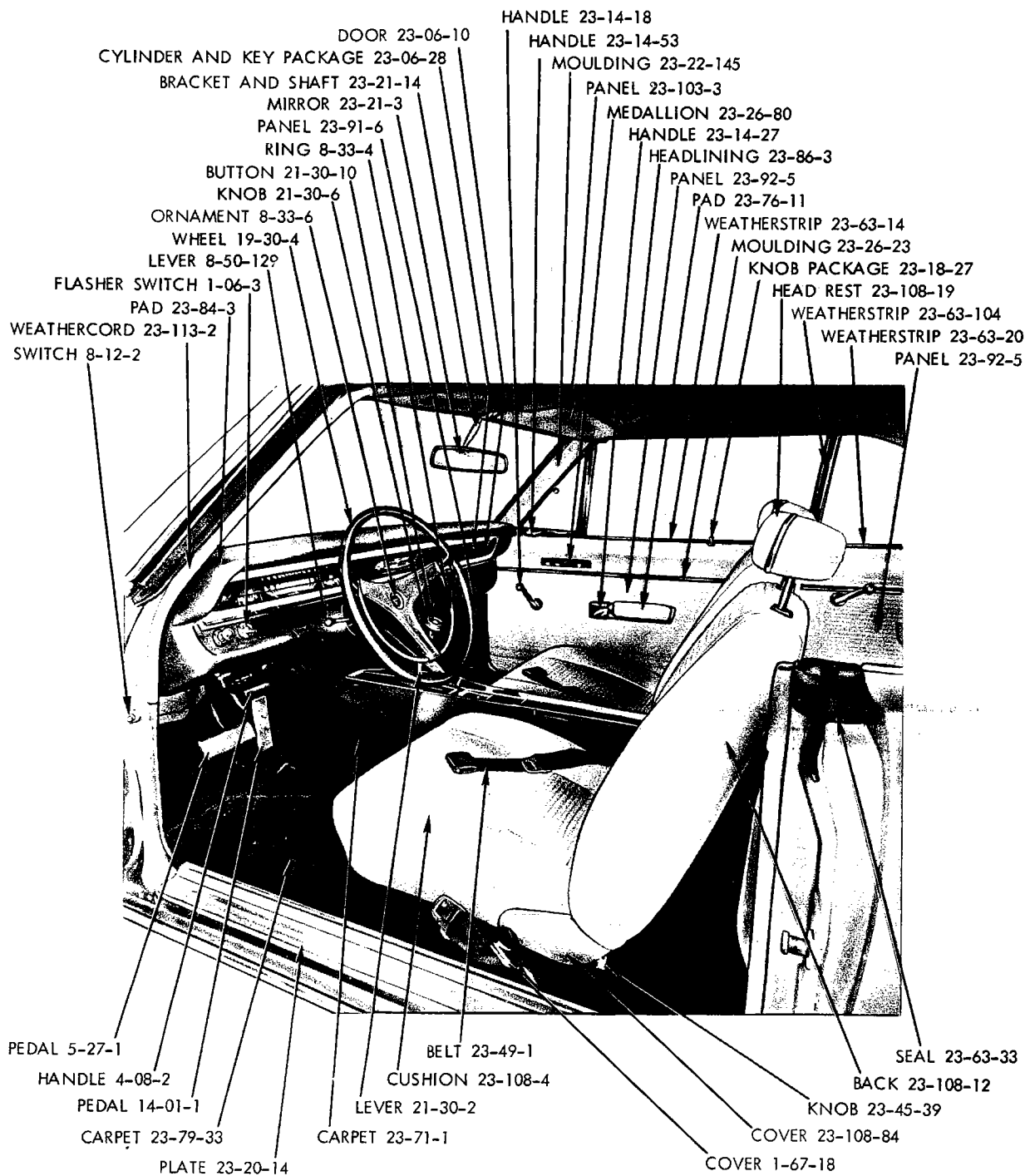
19a2409

REAR INTERIOR - DART CUSTOM L-H 2 DOOR HARDTOP



19a2705

REAR INTERIOR - DART GT L-P CONVERTIBLE COUPE

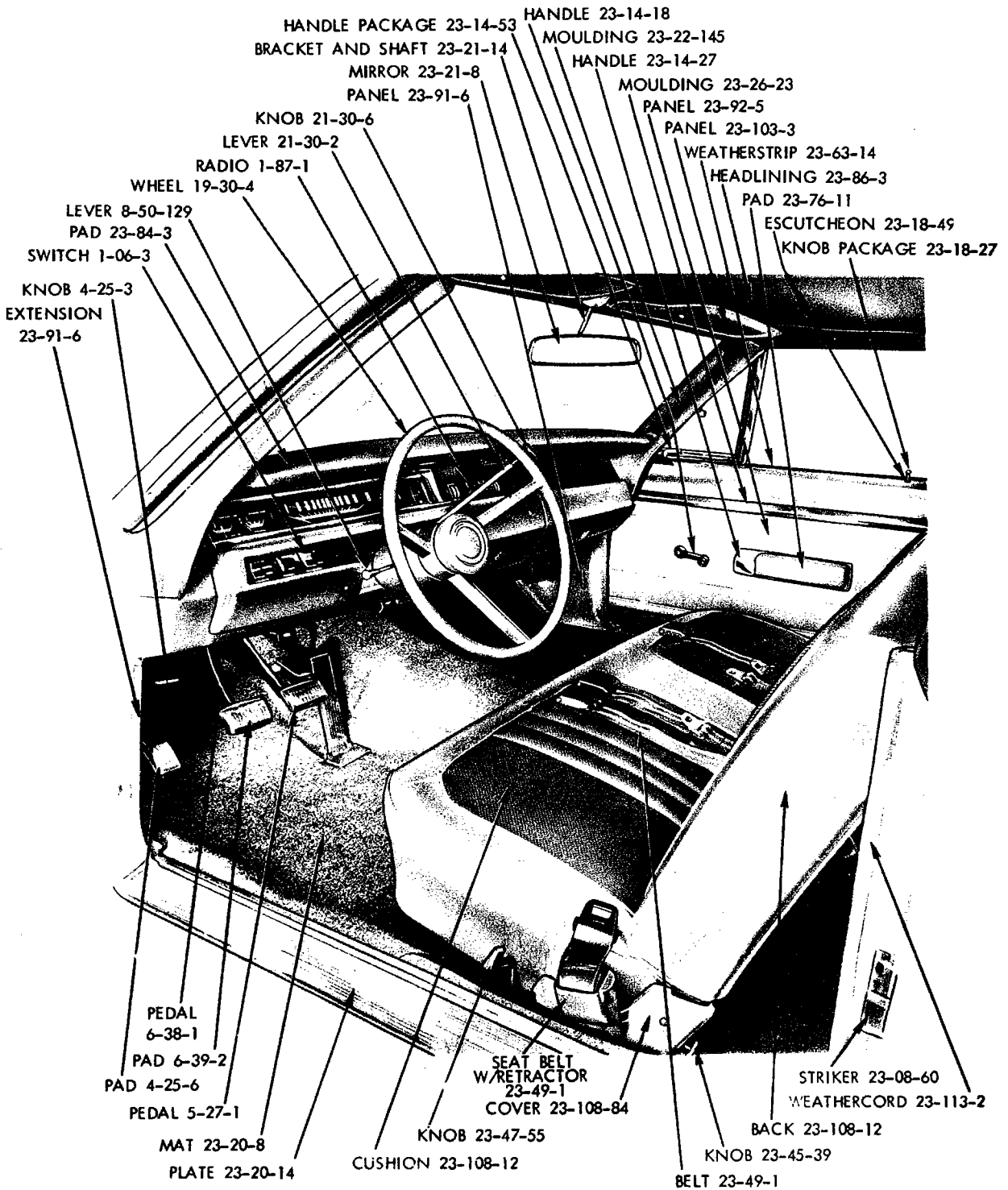


DOOR 23-06-10
 HANDLE 23-14-18
 CYLINDER AND KEY PACKAGE 23-06-28
 HANDLE 23-14-53
 BRACKET AND SHAFT 23-21-14
 MOULDING 23-22-145
 MIRROR 23-21-3
 PANEL 23-103-3
 PANEL 23-91-6
 MEDALLION 23-26-80
 RING 8-33-4
 HANDLE 23-14-27
 BUTTON 21-30-10
 HEADLINING 23-86-3
 KNOB 21-30-6
 PANEL 23-92-5
 ORNAMENT 8-33-6
 PAD 23-76-11
 WHEEL 19-30-4
 WEATHERSTRIP 23-63-14
 LEVER 8-50-129
 MOULDING 23-26-23
 FLASHER SWITCH 1-06-3
 KNOB PACKAGE 23-18-27
 PAD 23-84-3
 HEAD REST 23-108-19
 WEATHERCORD 23-113-2
 WEATHERSTRIP 23-63-104
 SWITCH 8-12-2
 WEATHERSTRIP 23-63-20
 PANEL 23-92-5

PEDAL 5-27-1
 BELT 23-49-1
 SEAL 23-63-33
 HANDLE 4-08-2
 CUSHION 23-108-4
 BACK 23-108-12
 PEDAL 14-01-1
 LEVER 21-30-2
 KNOB 23-45-39
 CARPET 23-79-33
 CARPET 23-71-1
 COVER 23-108-84
 COVER 1-67-18
 PLATE 23-20-14

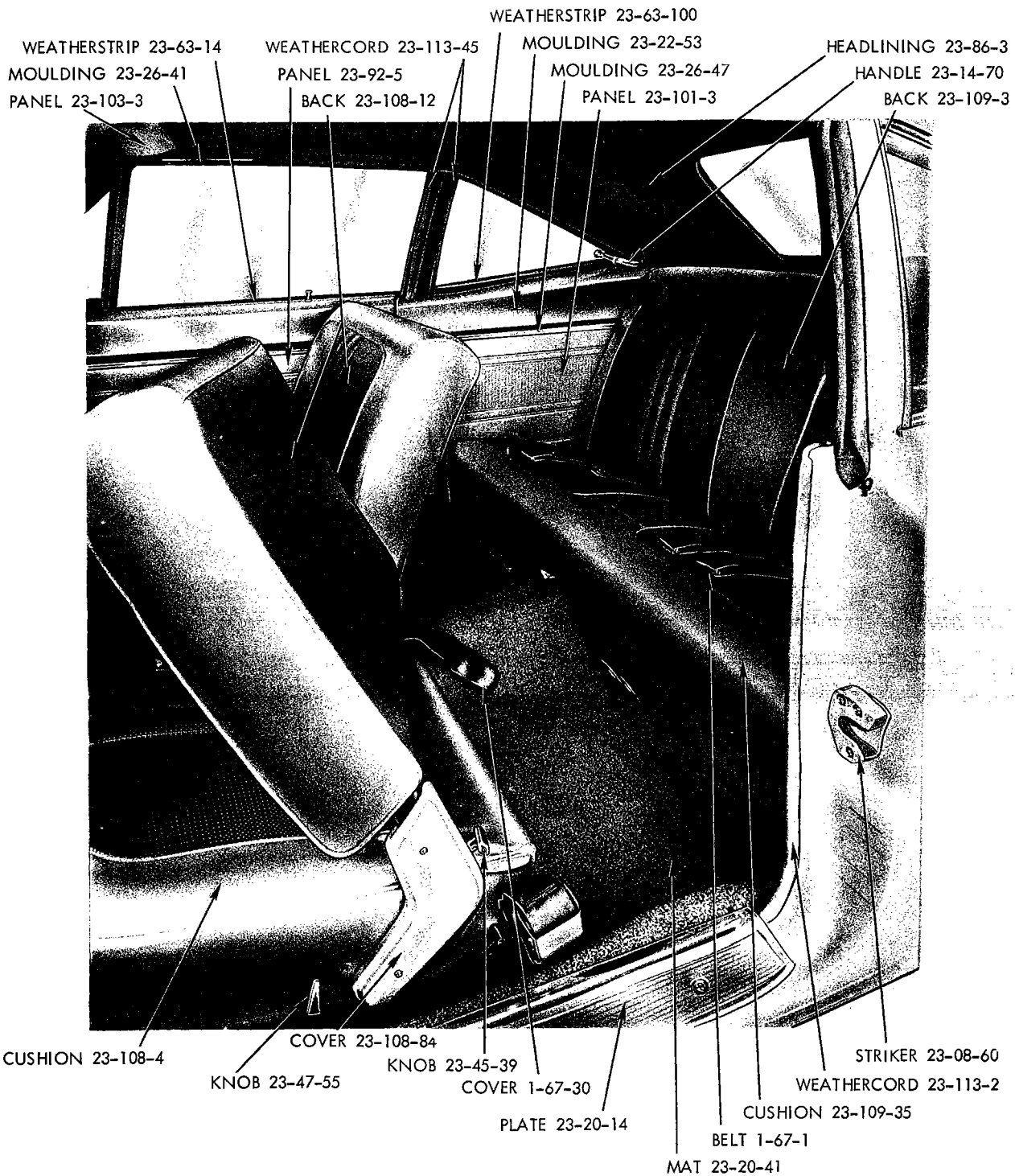
19a2480

FRONT INTERIOR - DART GTS L-S 2 DOOR HARDTOP



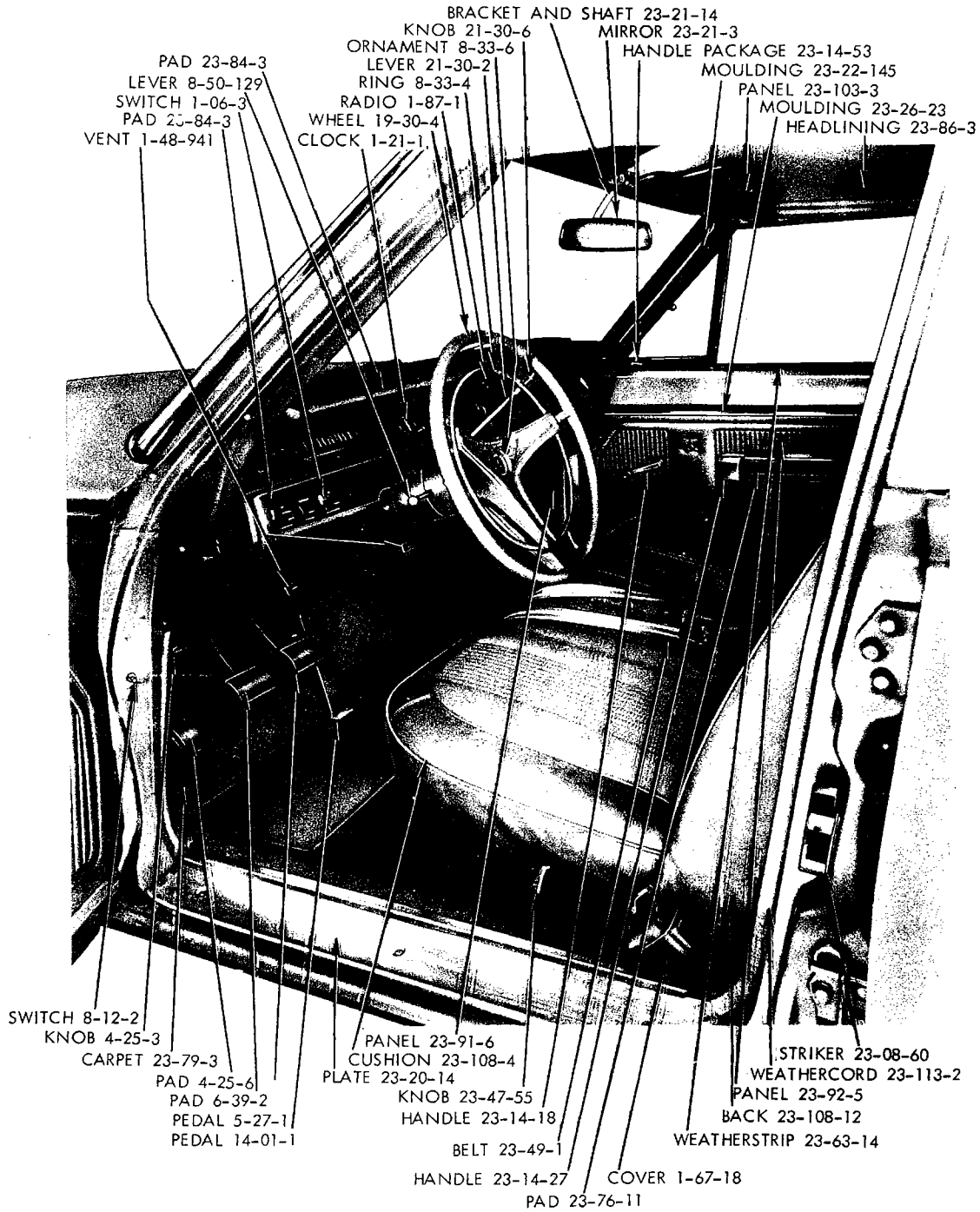
19a2627

FRONT INTERIOR - CORONET DELUXE W-L 2 DOOR SEDAN



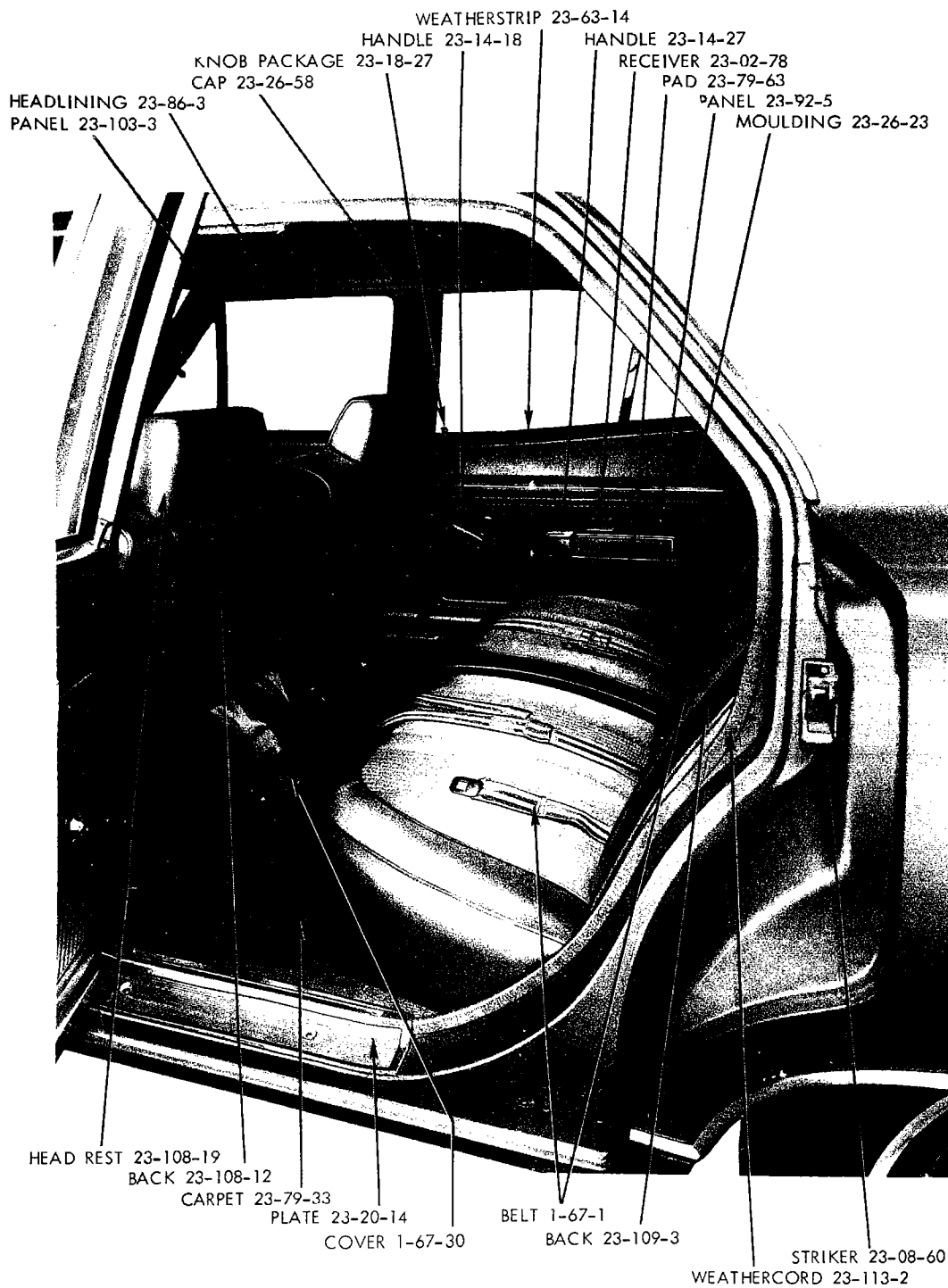
19a2611A

REAR INTERIOR - CORONET DELUXE W-L 2 DOOR SEDAN



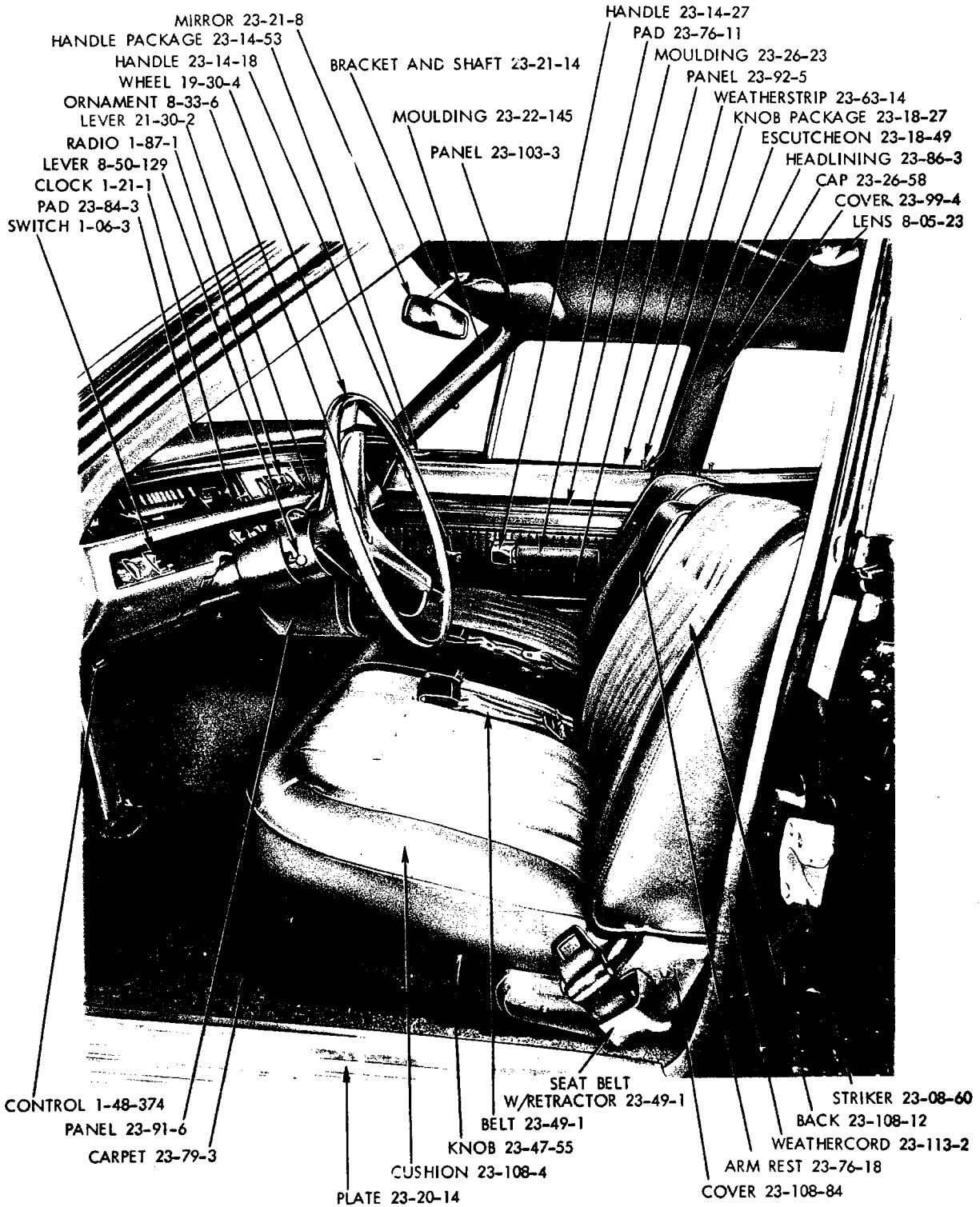
19a2533

FRONT INTERIOR - CORONET 440 W-H 4 DOOR SEDAN



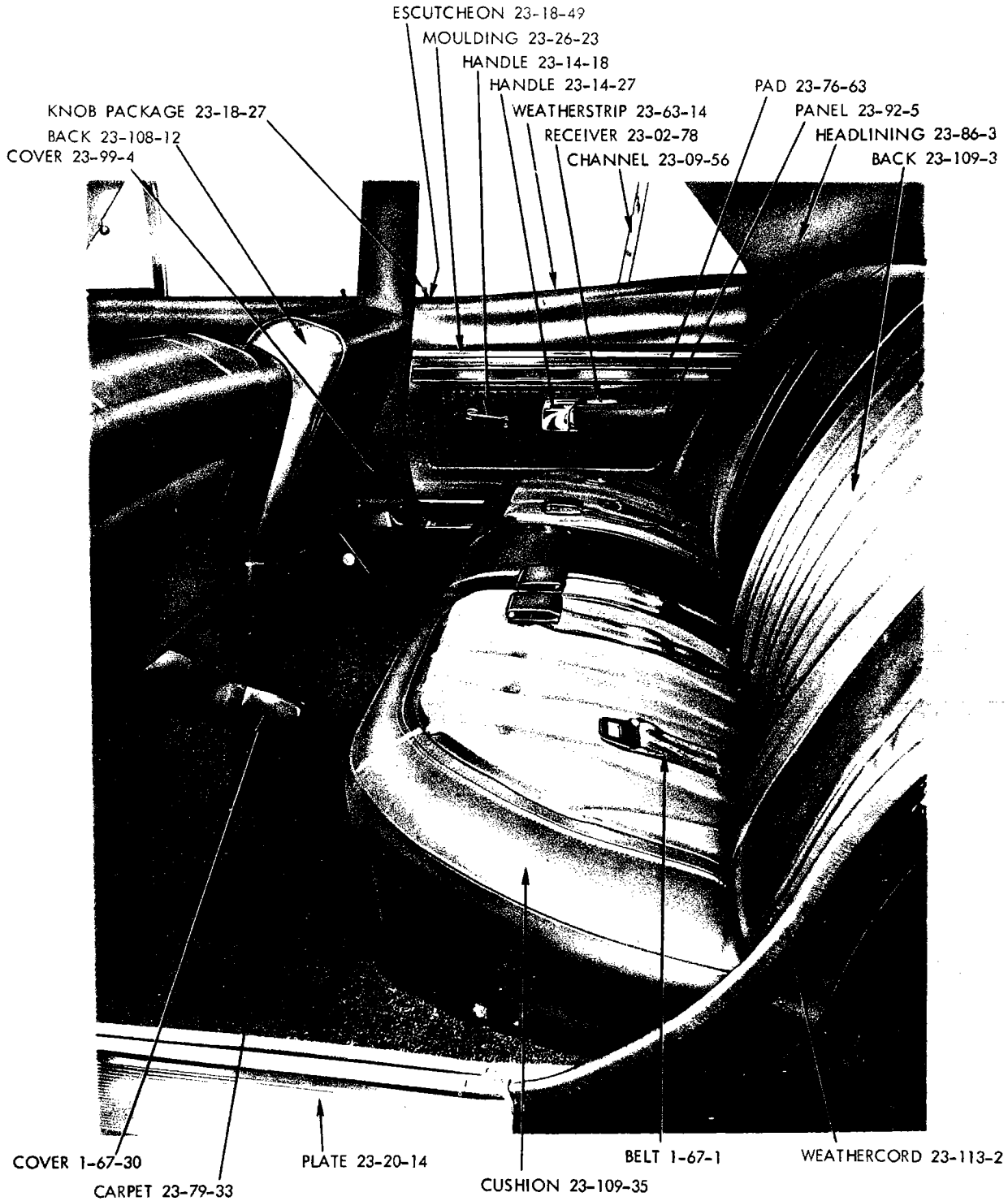
19a2528 A

REAR INTERIOR - CORONET 440 W-H 4 DOOR SEDAN



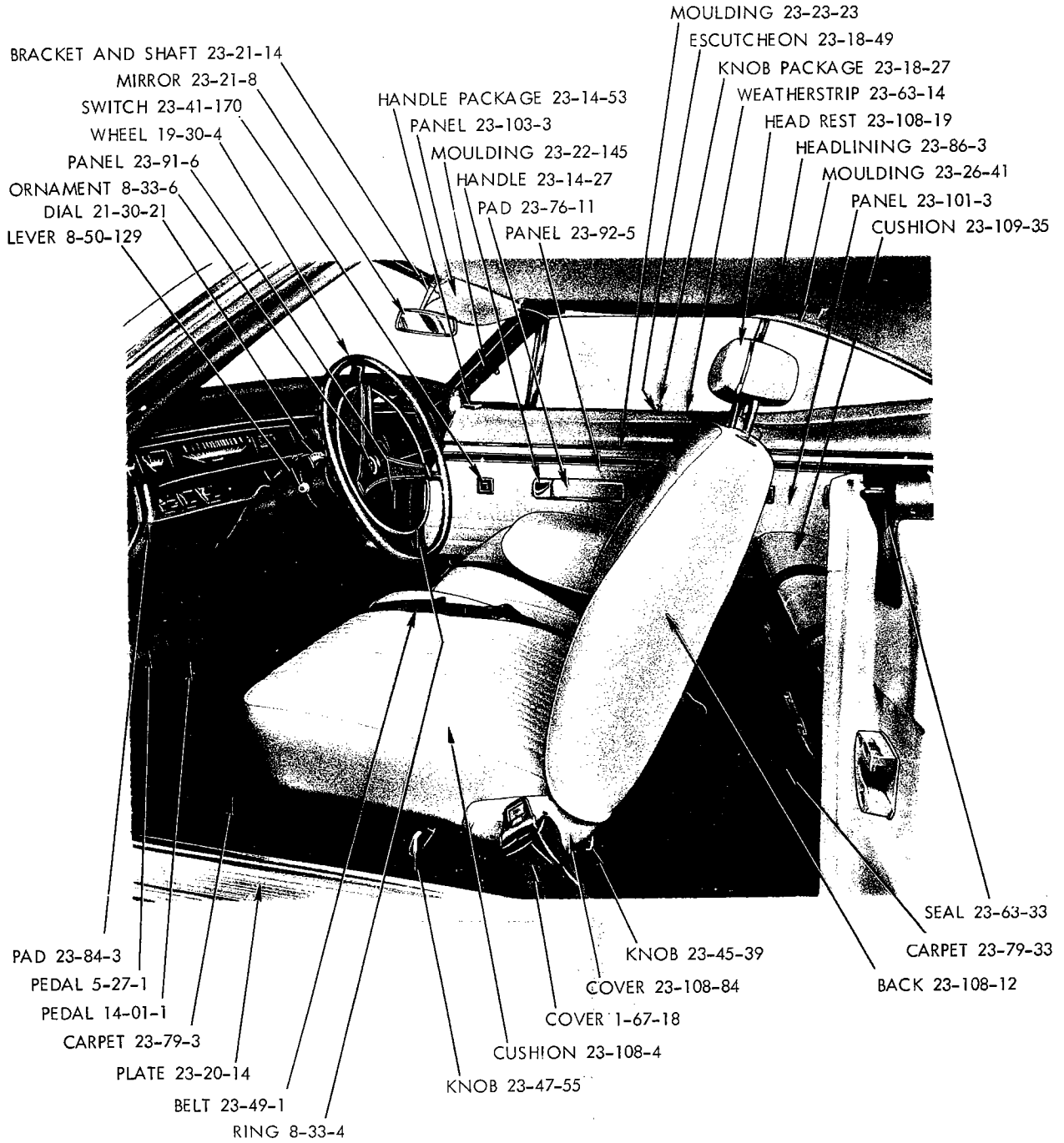
19a2628

FRONT INTERIOR - CORONET 500 W-P 4 DOOR SEDAN



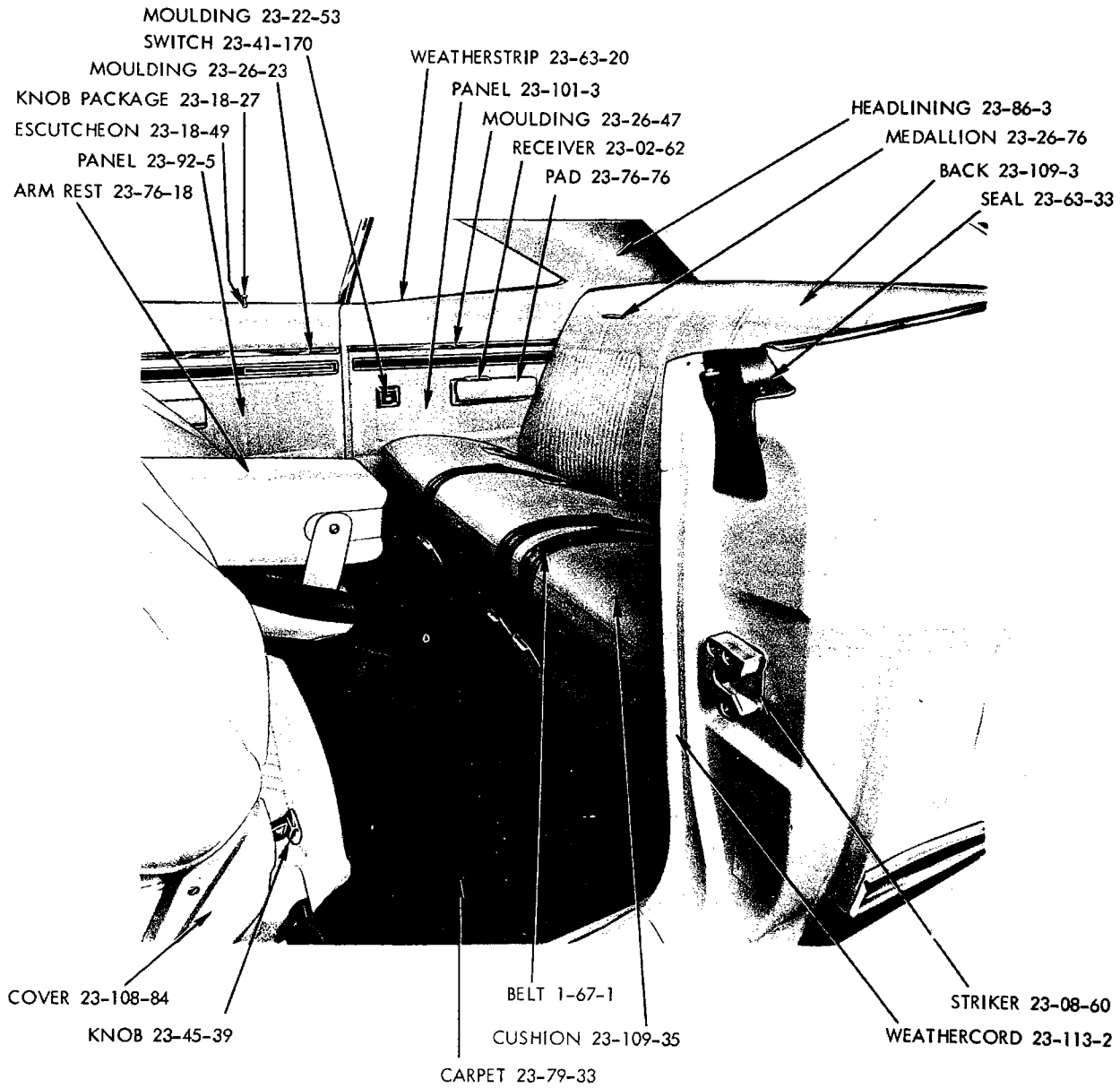
19a2618

REAR INTERIOR - CORONET 500 W-P 4 DOOR SEDAN



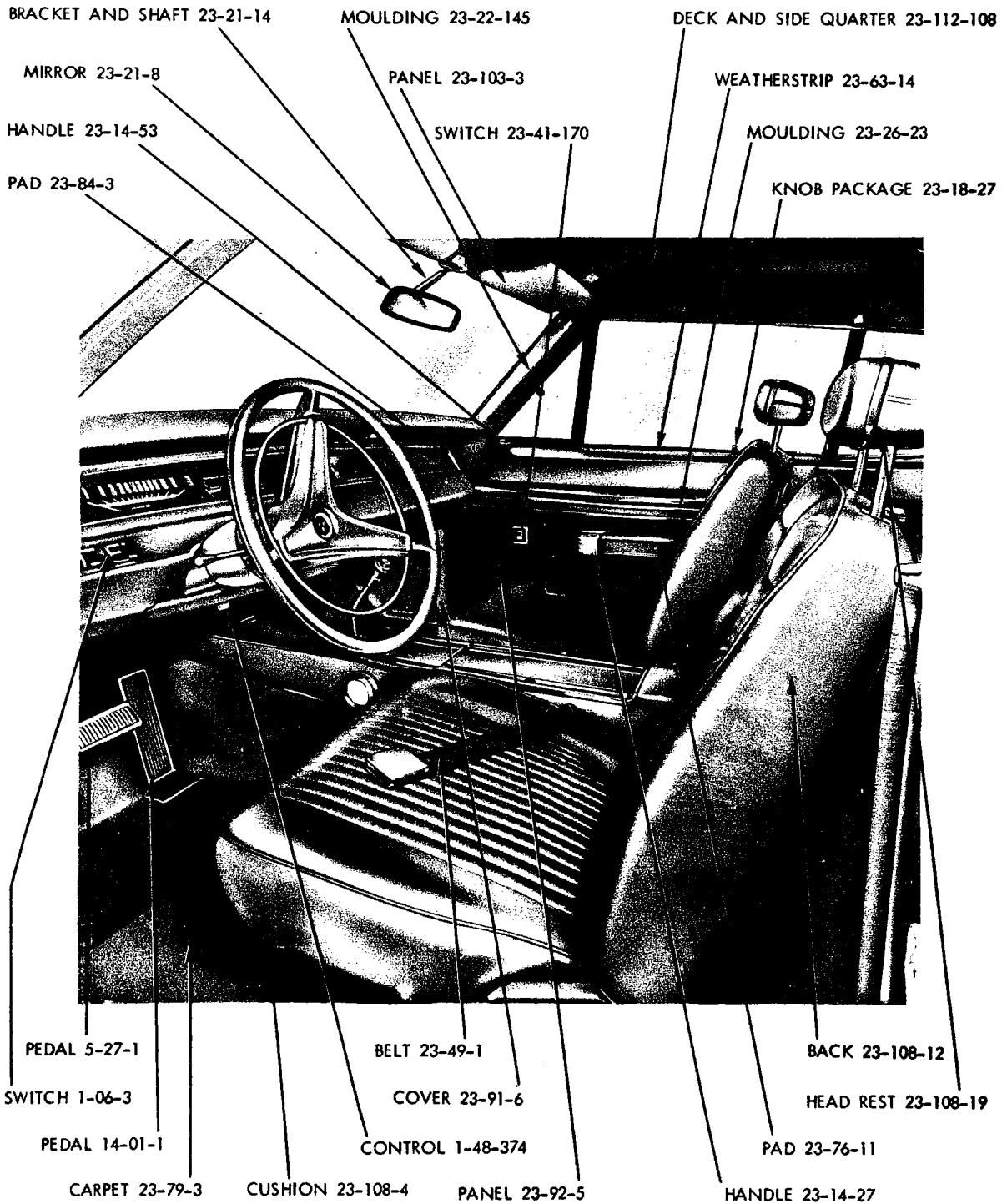
19a2421B

FRONT INTERIOR - CORONET 500 W-P 2 DOOR HARDTOP



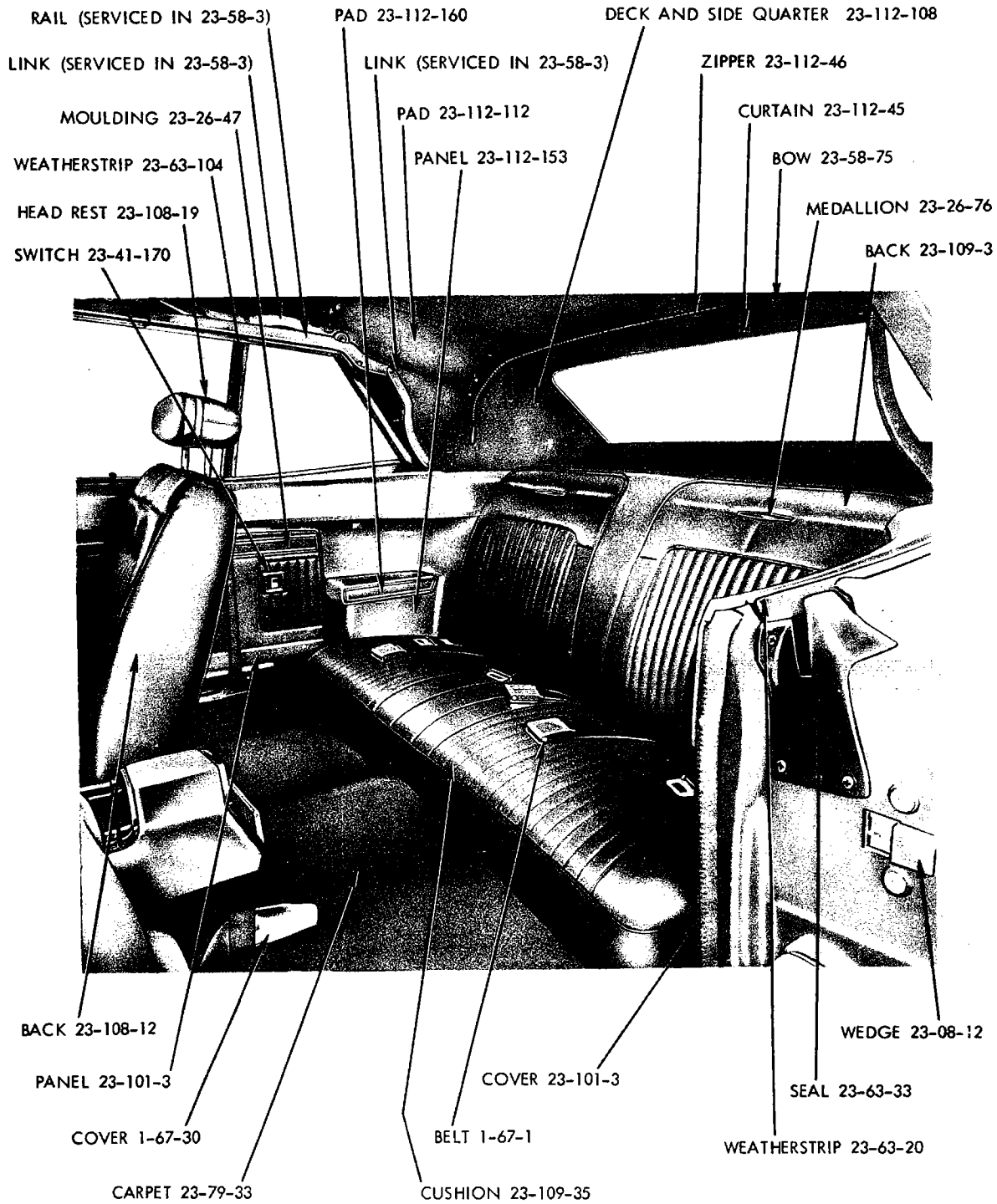
19a2411

REAR INTERIOR - CORONET 500 W-P 2 DOOR HARDTOP



19a2667

FRONT INTERIOR - CORONET 500 W-P CONVERTIBLE COUPE



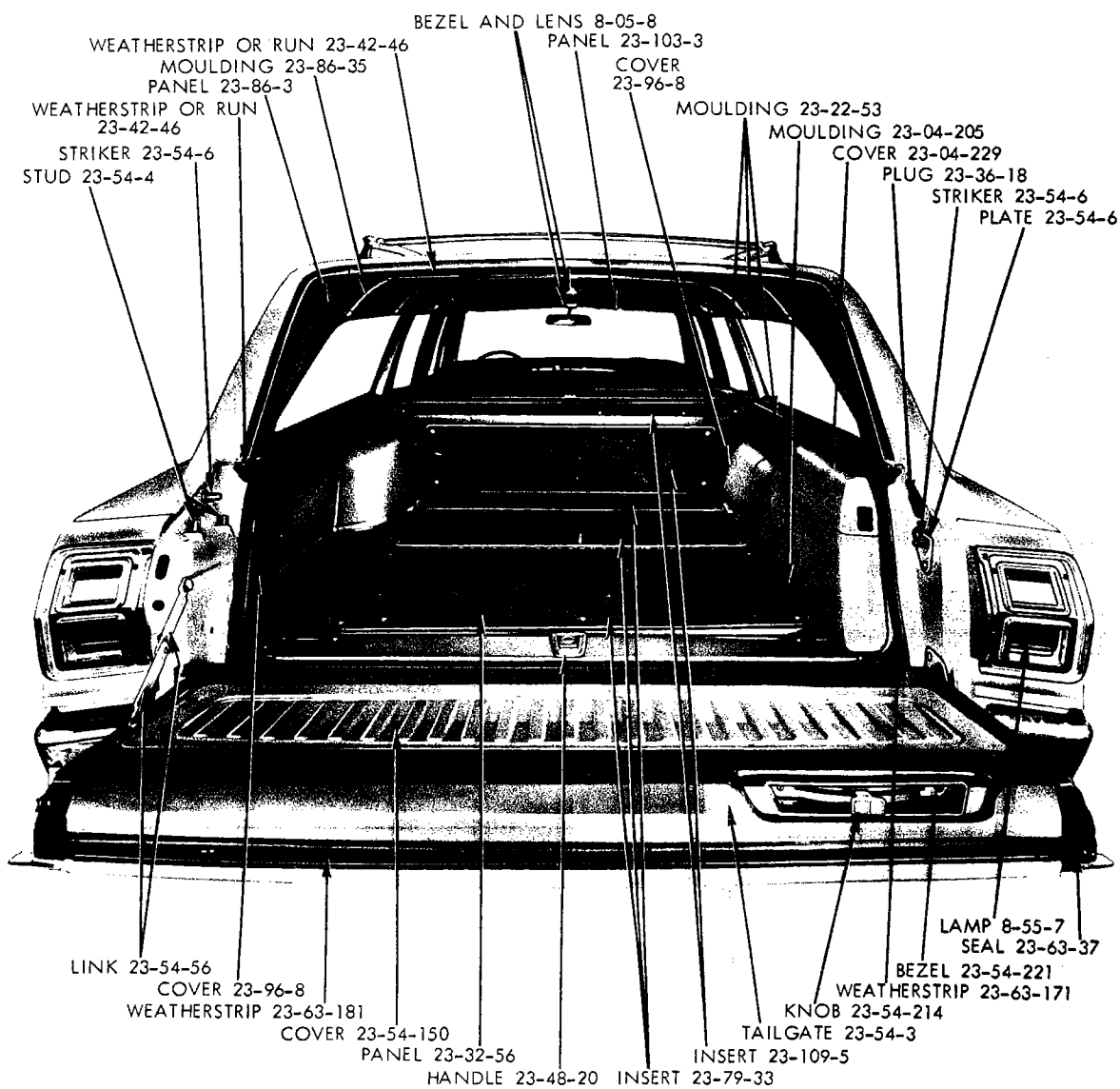
19a2666

REAR INTERIOR - CORONET 500 W-P CONVERTIBLE COUPE



19a2612

SIDE INTERIOR - CORONET 500 W-P STATION WAGON



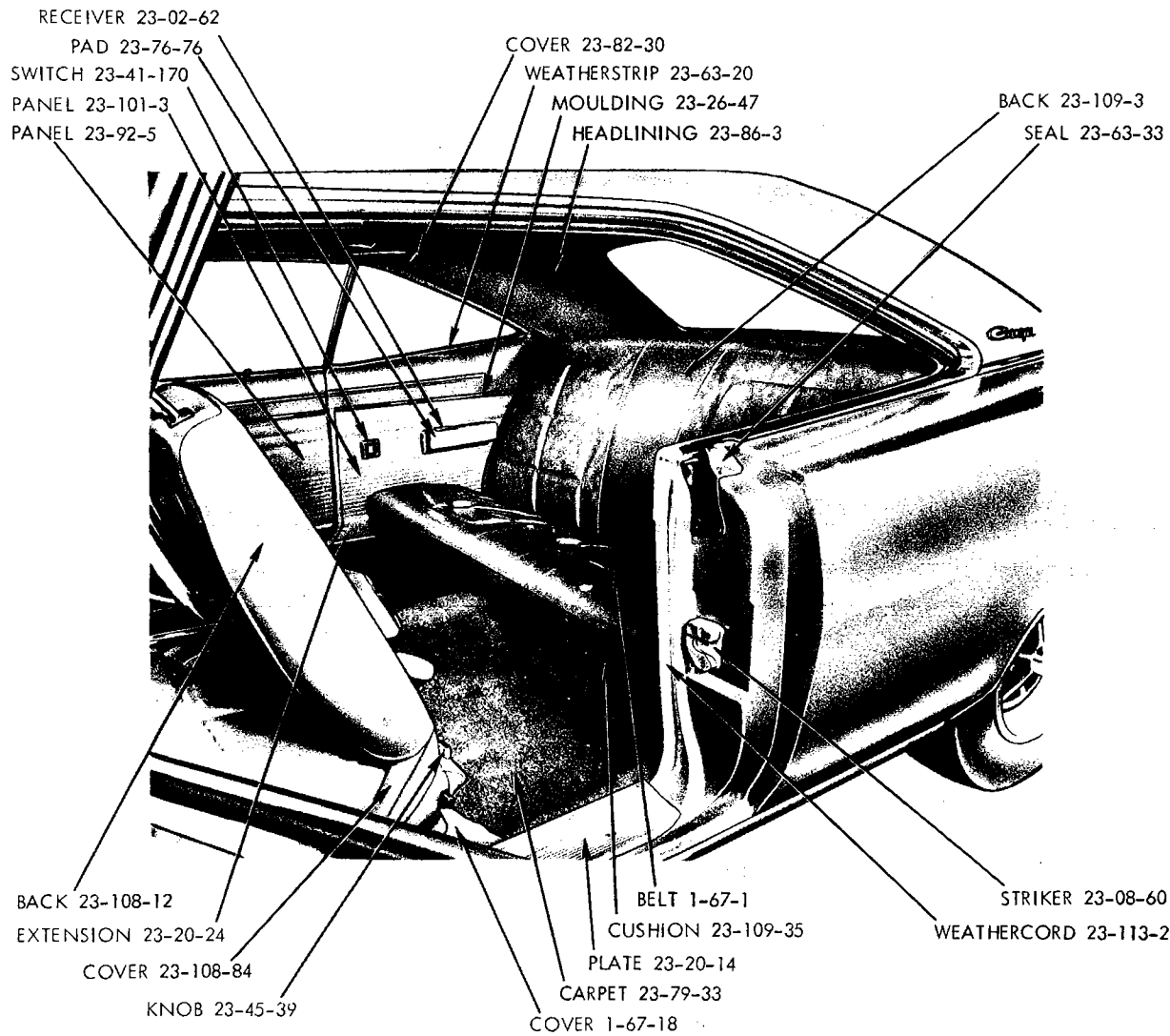
19a2622

REAR INTERIOR - CORONET 500 W-P STATION WAGON



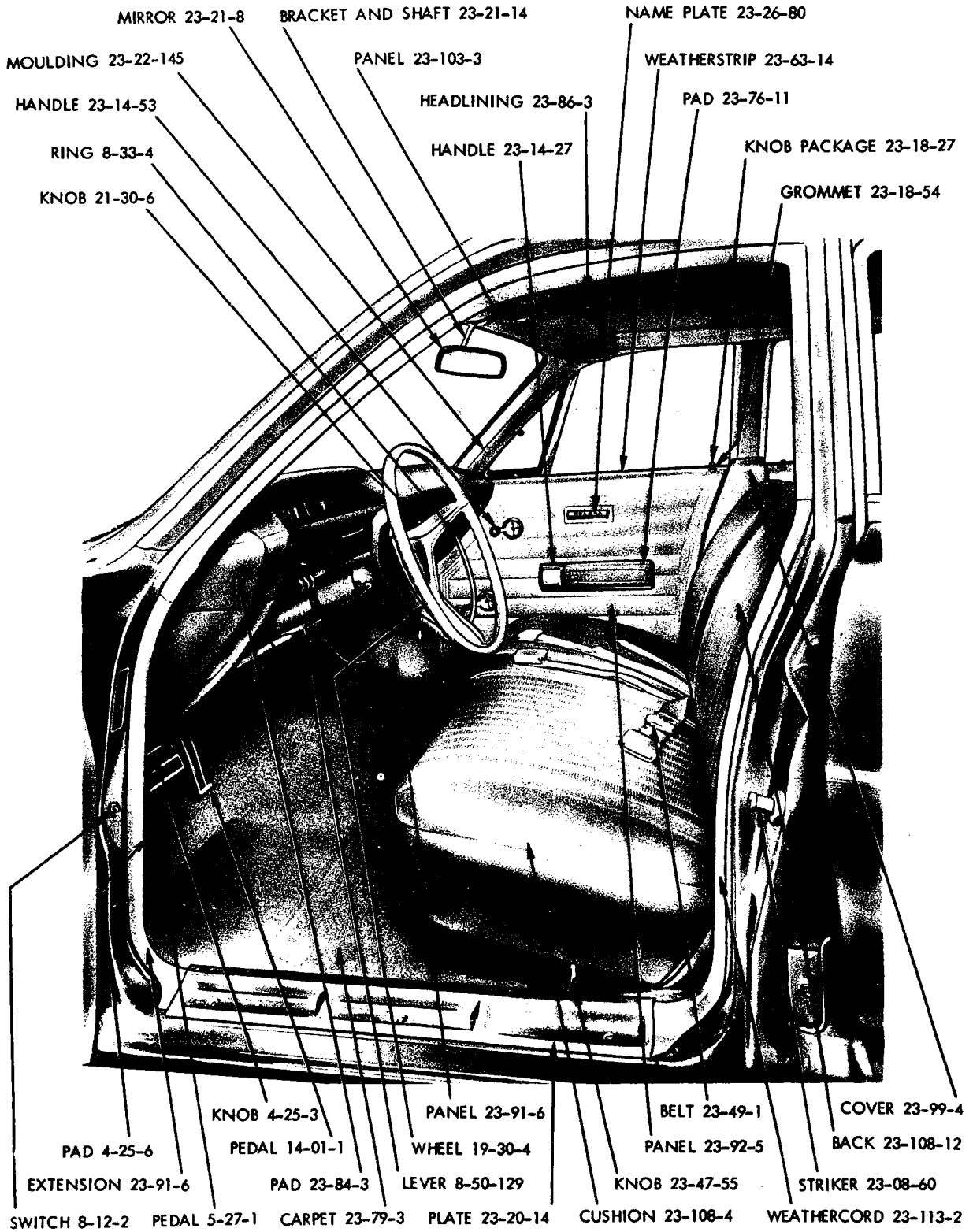
19a2501 A

FRONT INTERIOR - CHARGER SPECIAL 2 DOOR HARDTOP



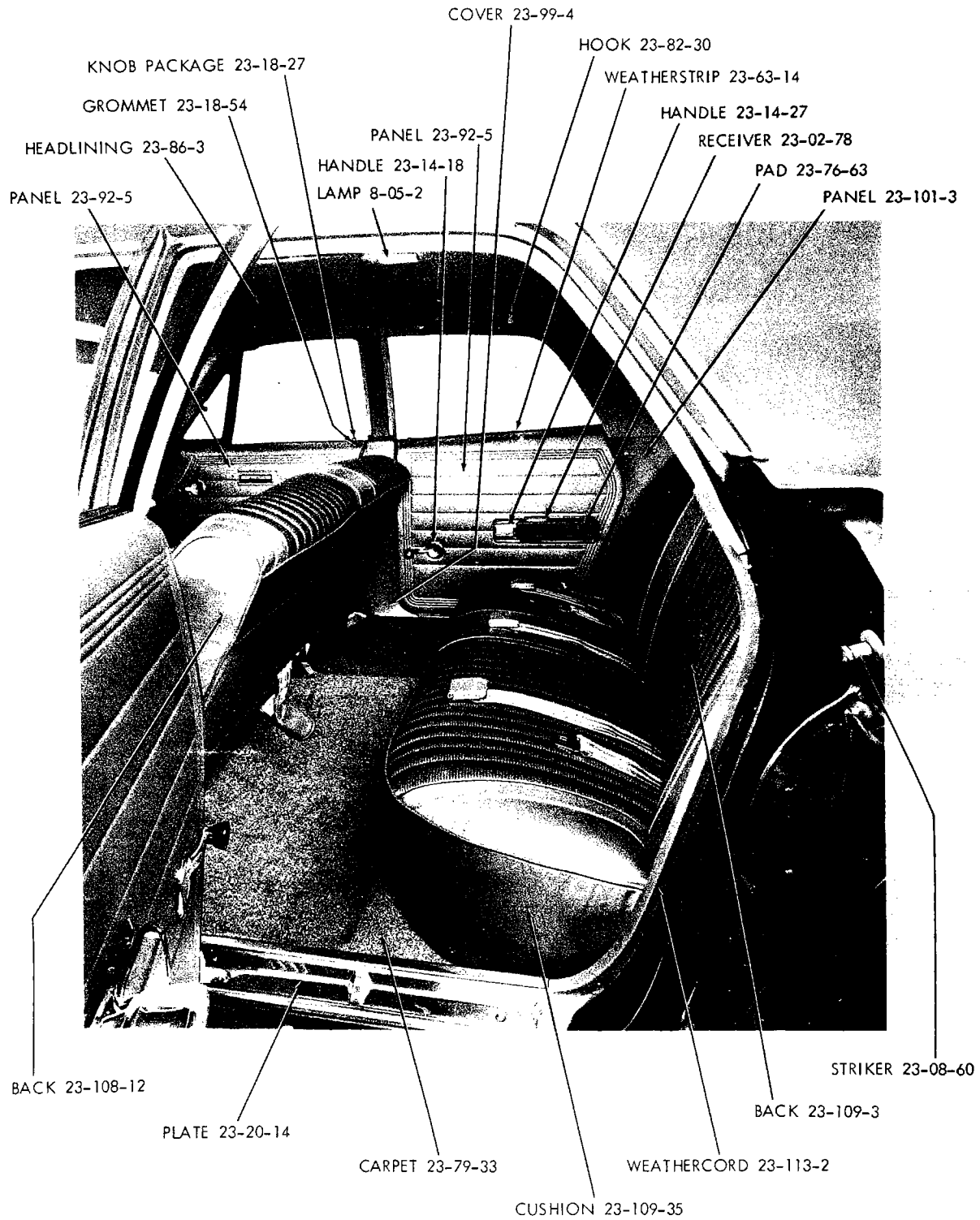
19a2499

REAR INTERIOR - CHARGER SPECIAL 2 DOOR HARDTOP



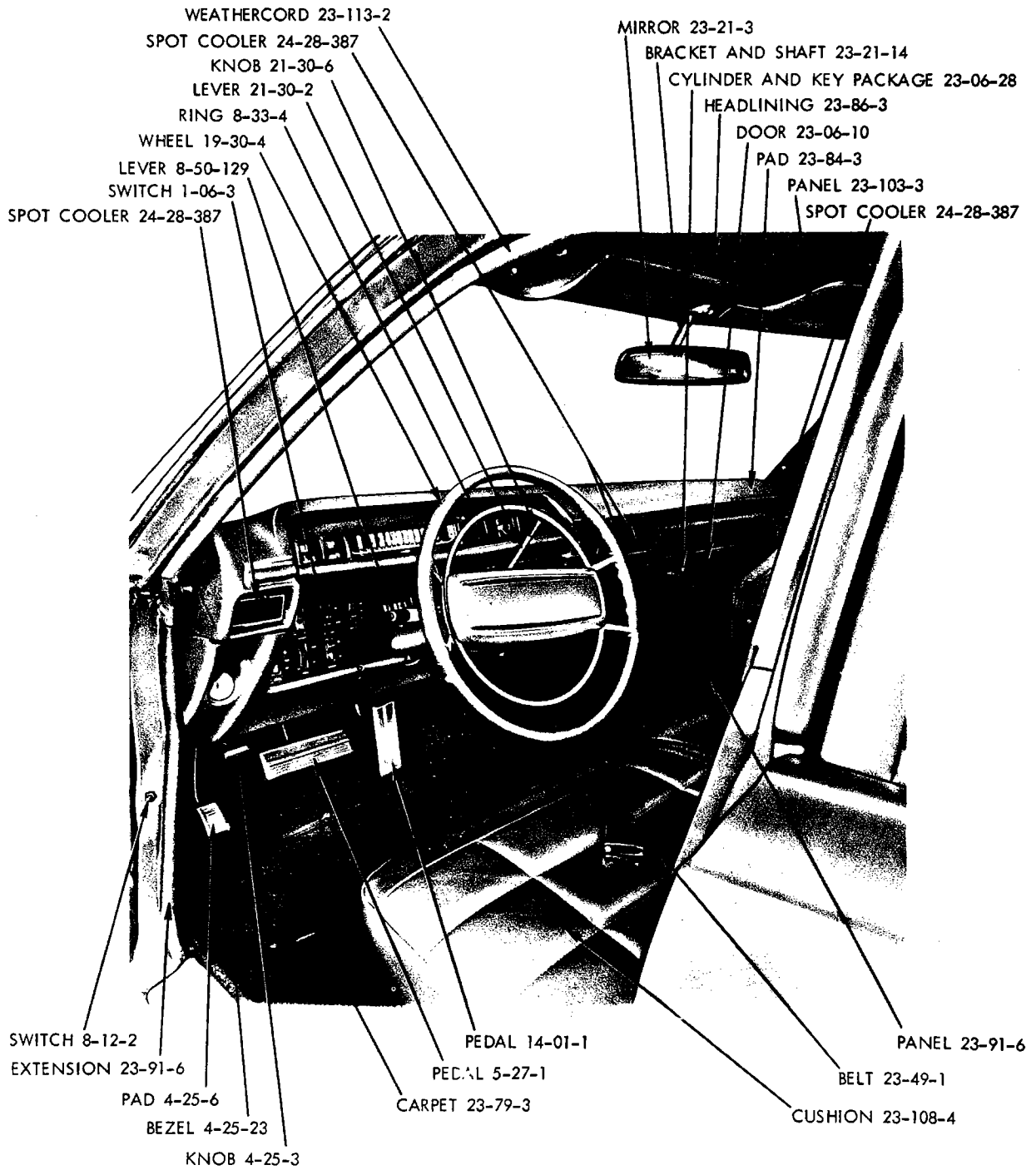
19a2652

FRONT INTERIOR - DODGE POLARA D-L 4 DOOR SEDAN



19a2648

REAR INTERIOR - DODGE POLARA D-L 4 DOOR SEDAN



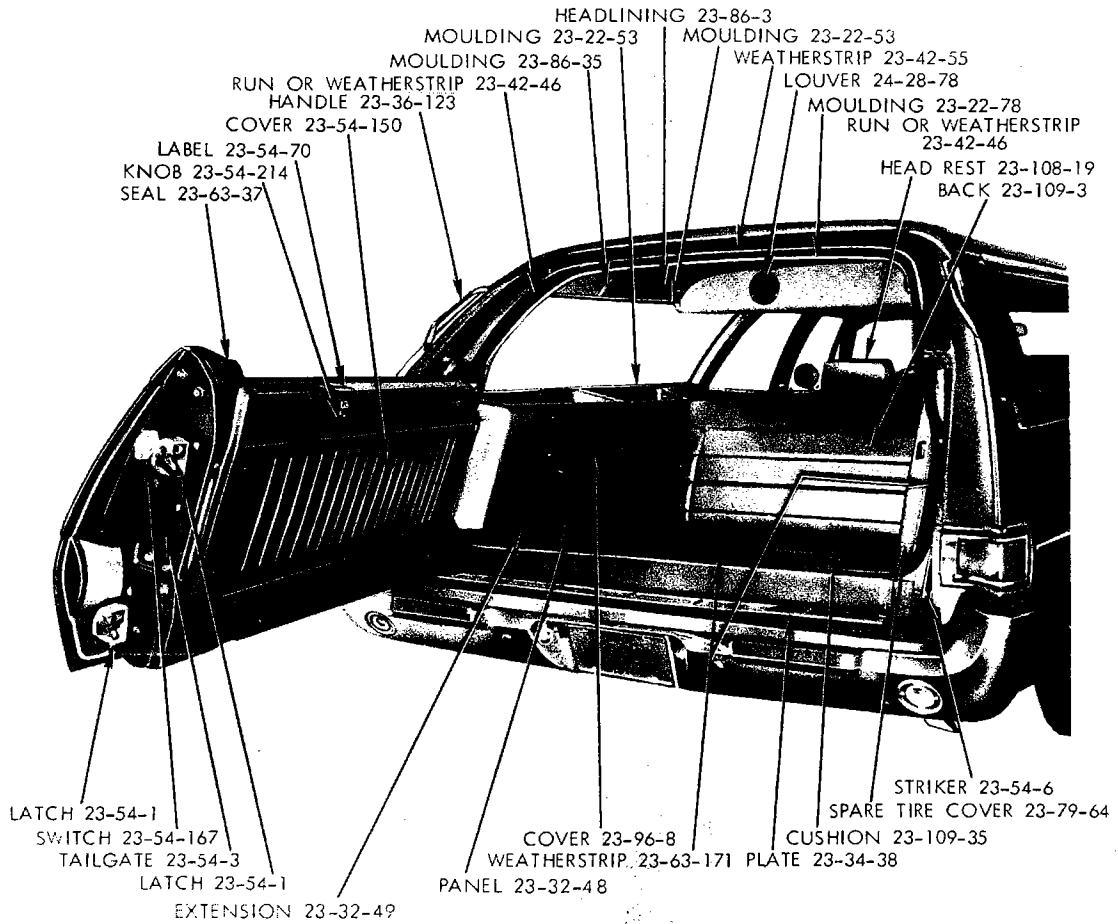
19a2532

FRONT INTERIOR - DODGE POLARA D-L STATION WAGON



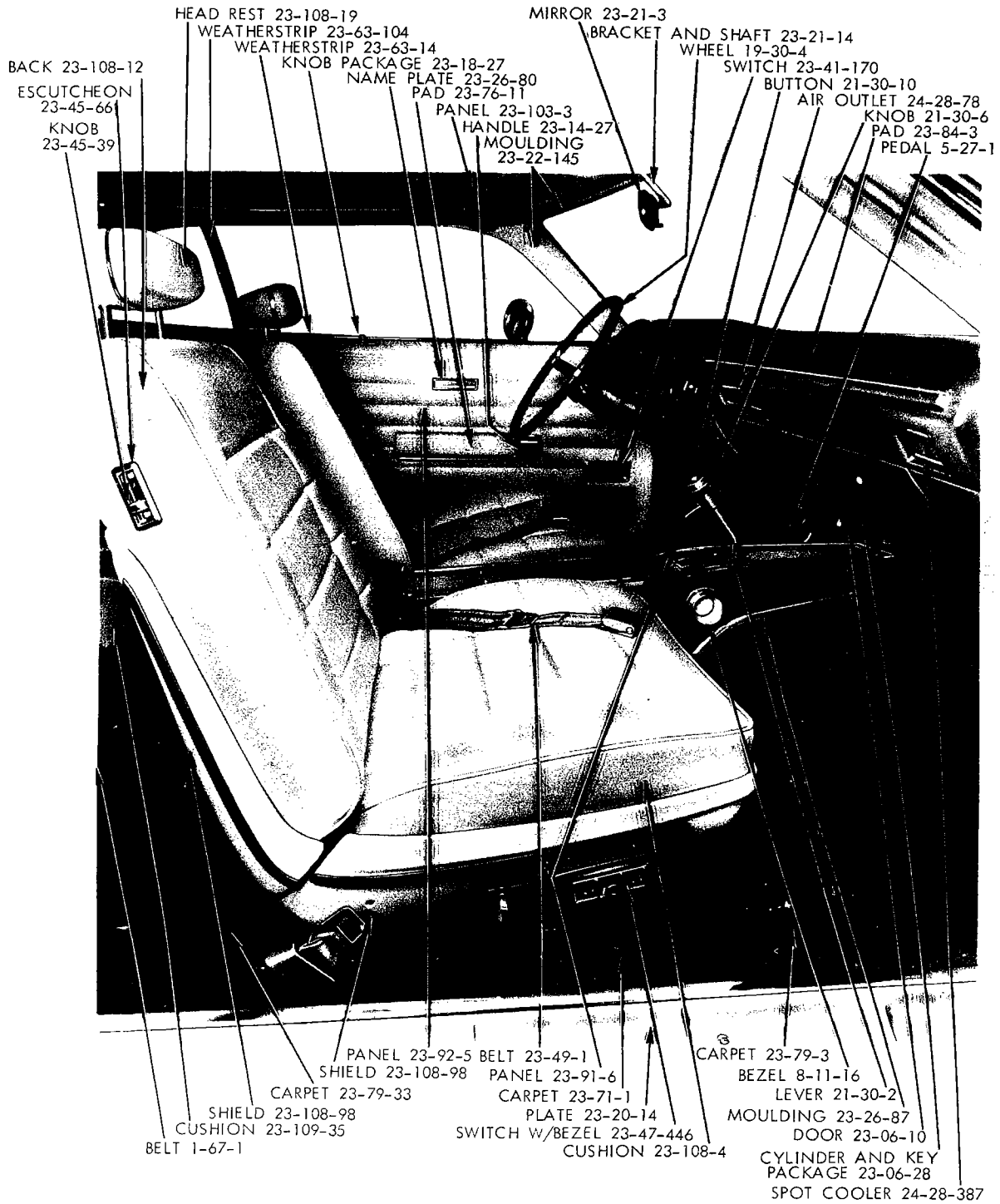
19a2531 A

SIDE INTERIOR VIEW - DODGE POLARA D-L STATION WAGON



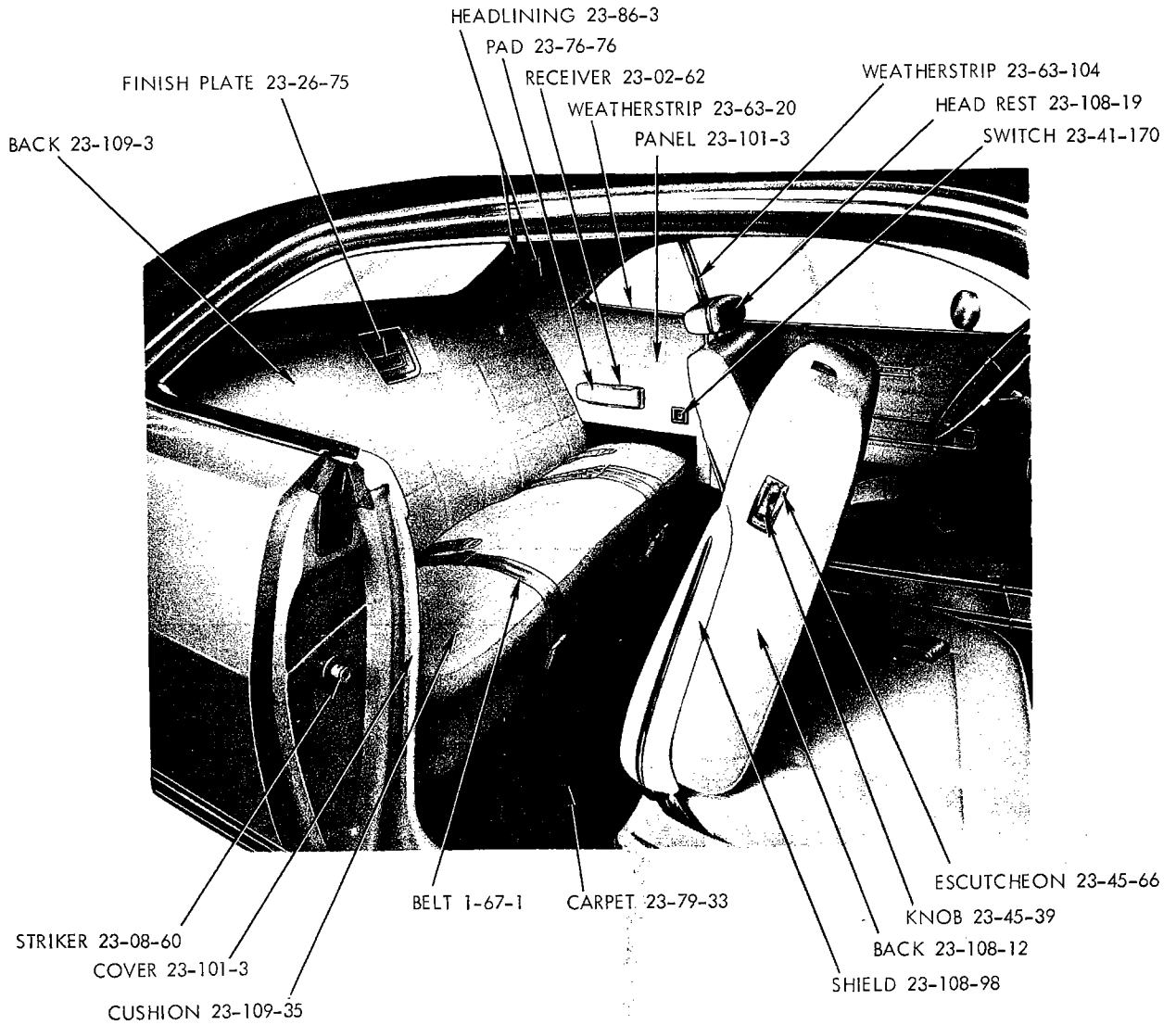
19a2530A

REAR INTERIOR VIEW - DODGE POLARA D-L STATION WAGON (3 SEATER)



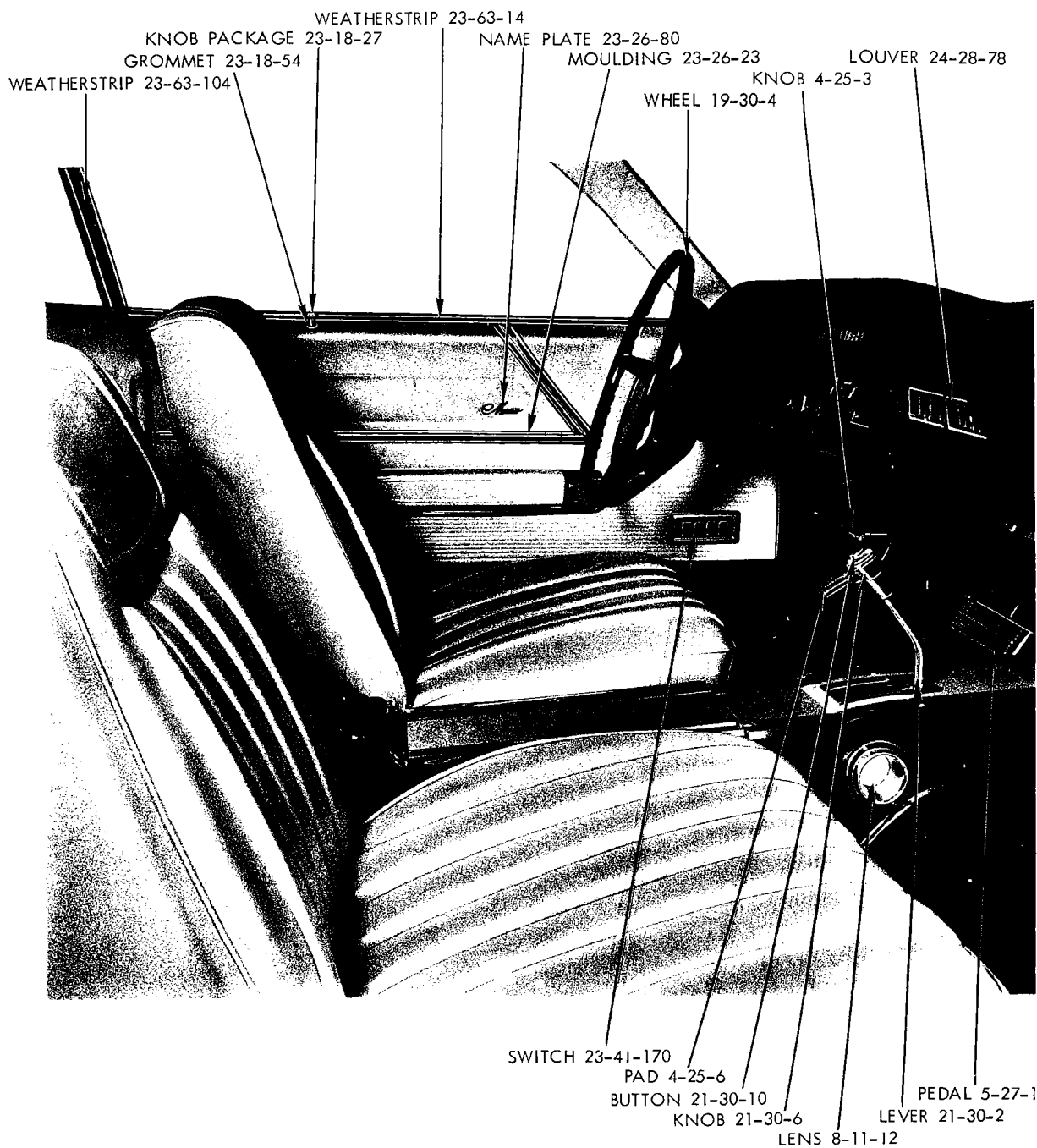
19a2427

FRONT INTERIOR - DODGE POLARA 500 D-M 2 DOOR HARDTOP



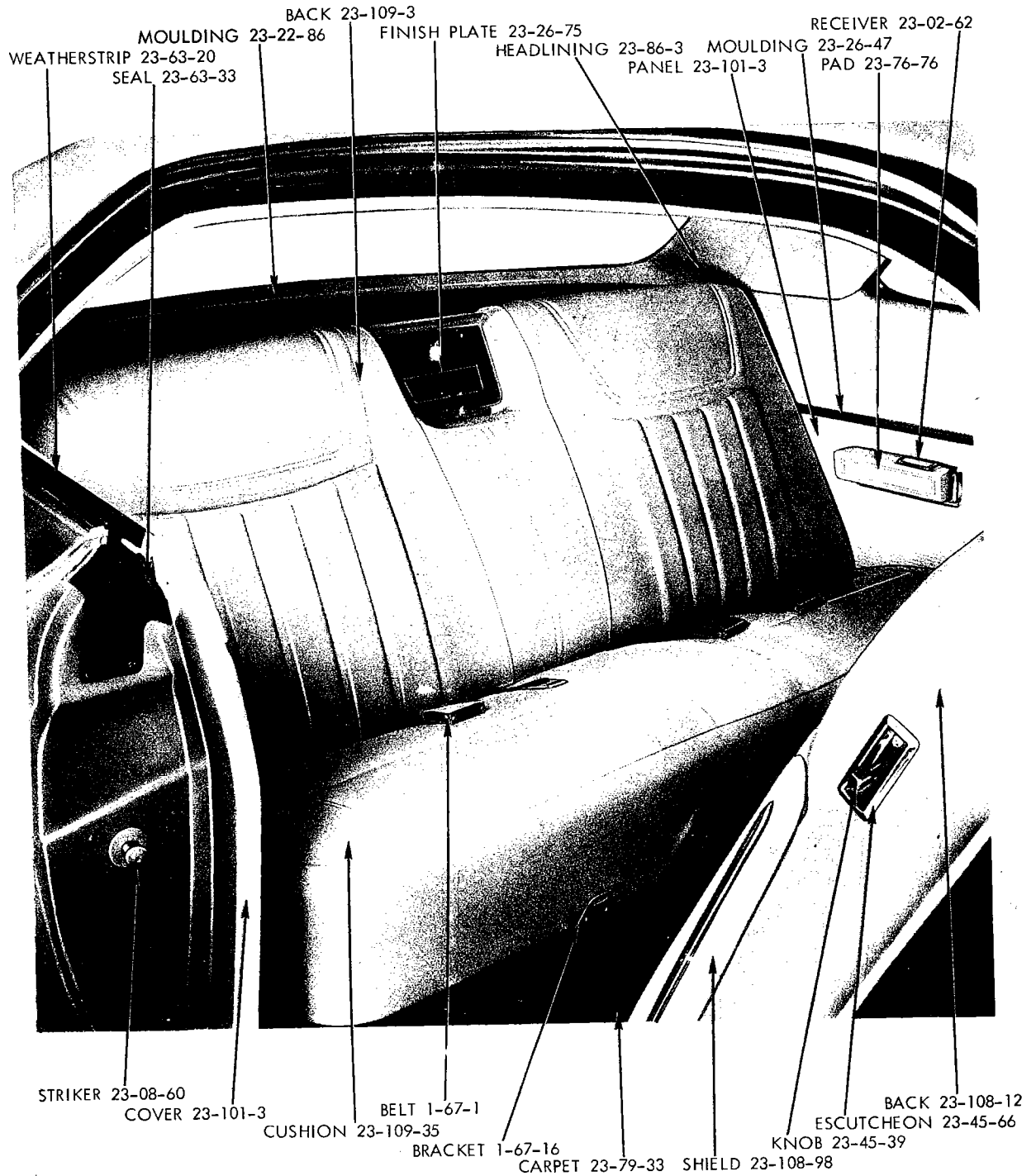
19a2418A

REAR INTERIOR - DODGE POLARA 500 D-M 2 DOOR HARDTOP



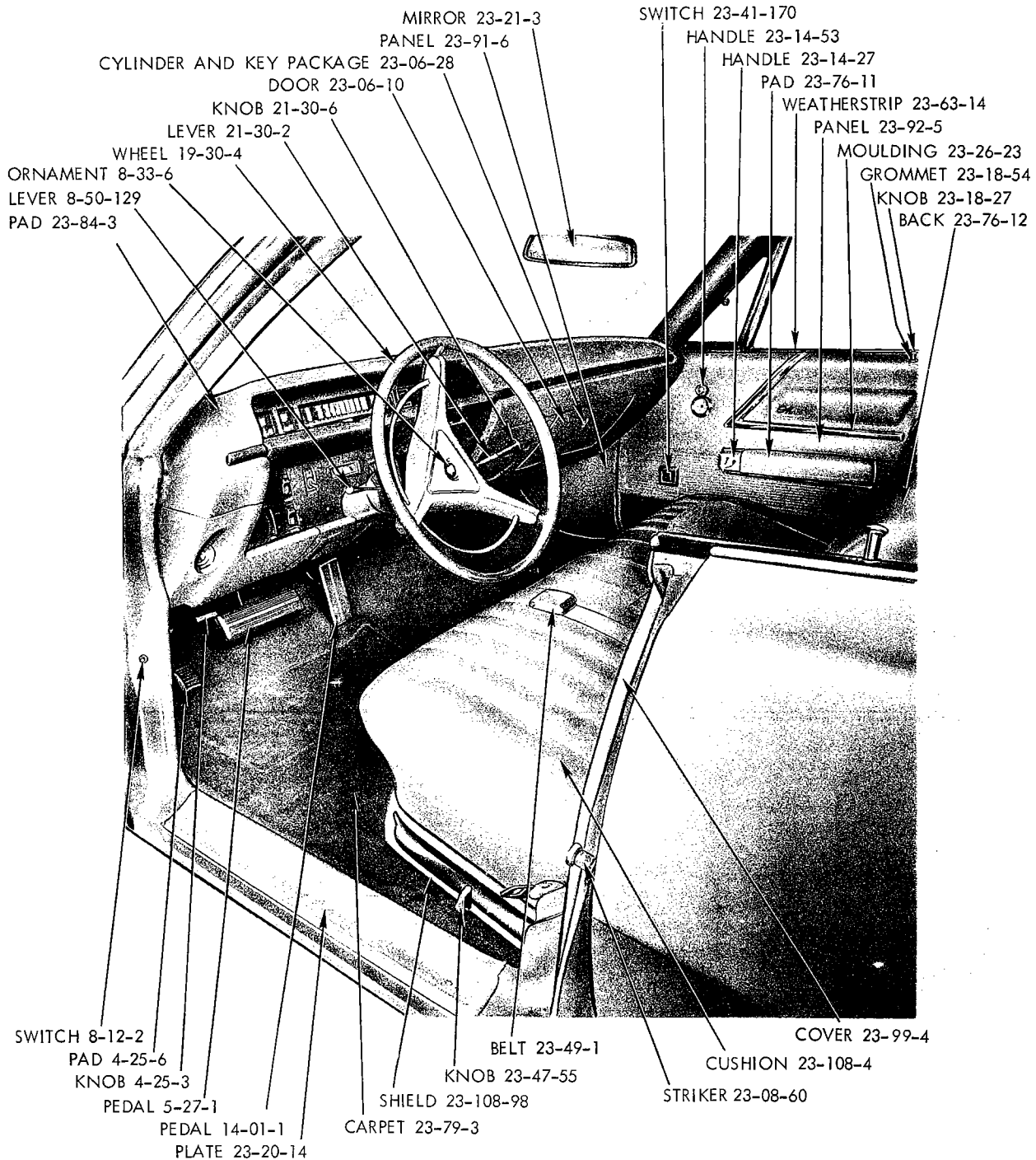
19a2706 A

FRONT INTERIOR - DODGE MONACO D-H 2 DOOR HARDTOP



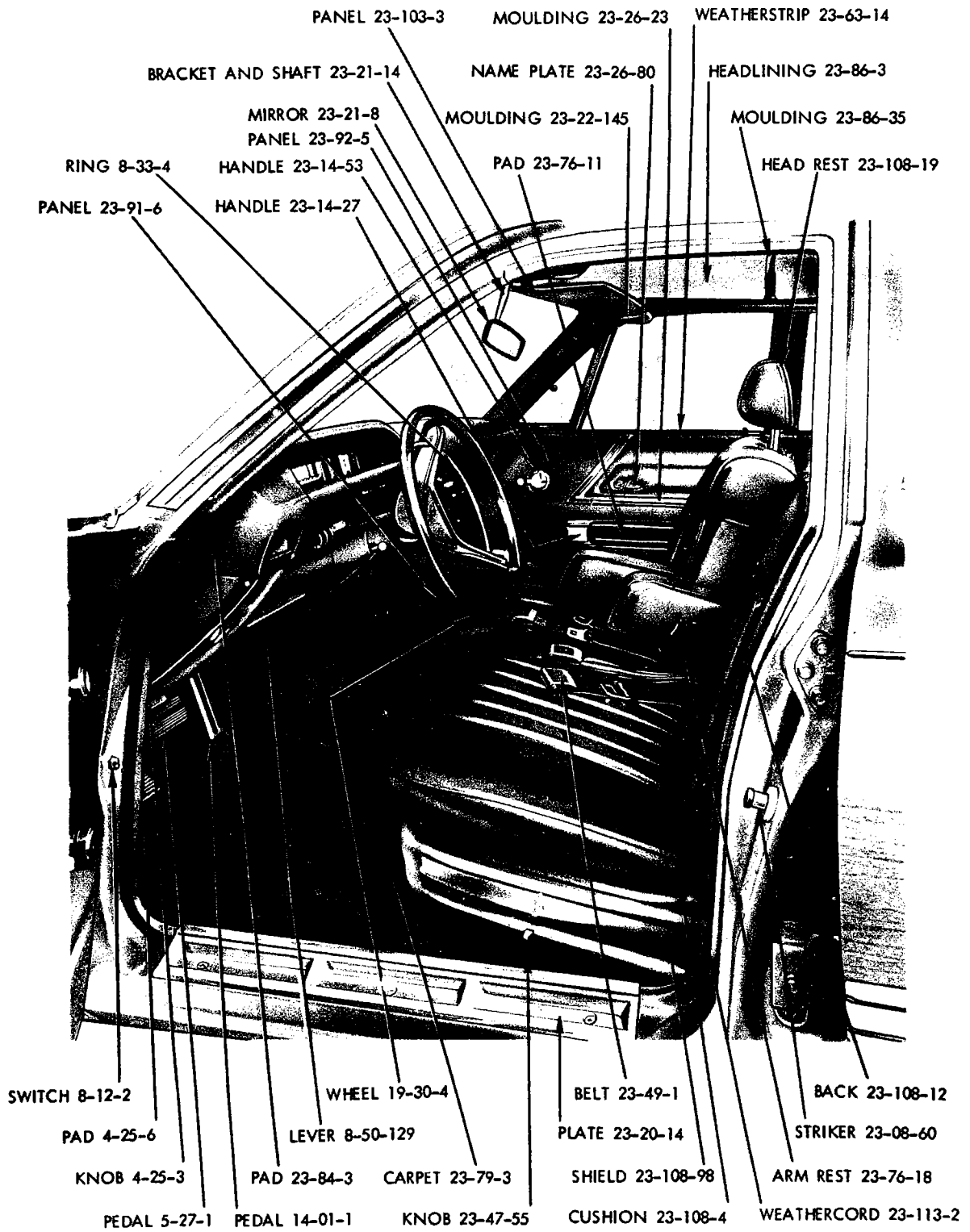
19a2676 A

REAR INTERIOR - DODGE MONACO D-H 2 DOOR HARDTOP



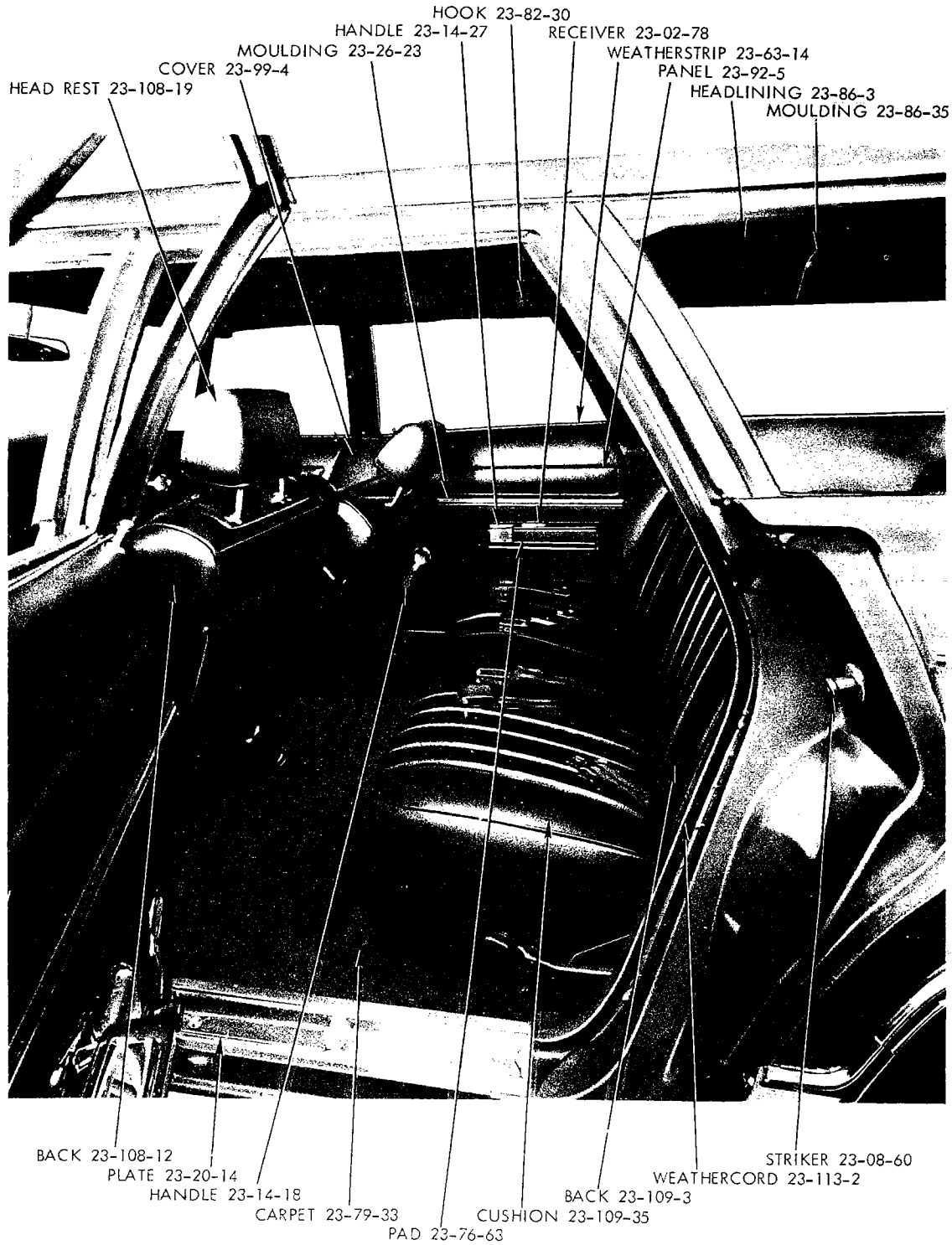
19a2478A

FRONT INTERIOR - DODGE MONACO D-H 4 DOOR HARDTOP



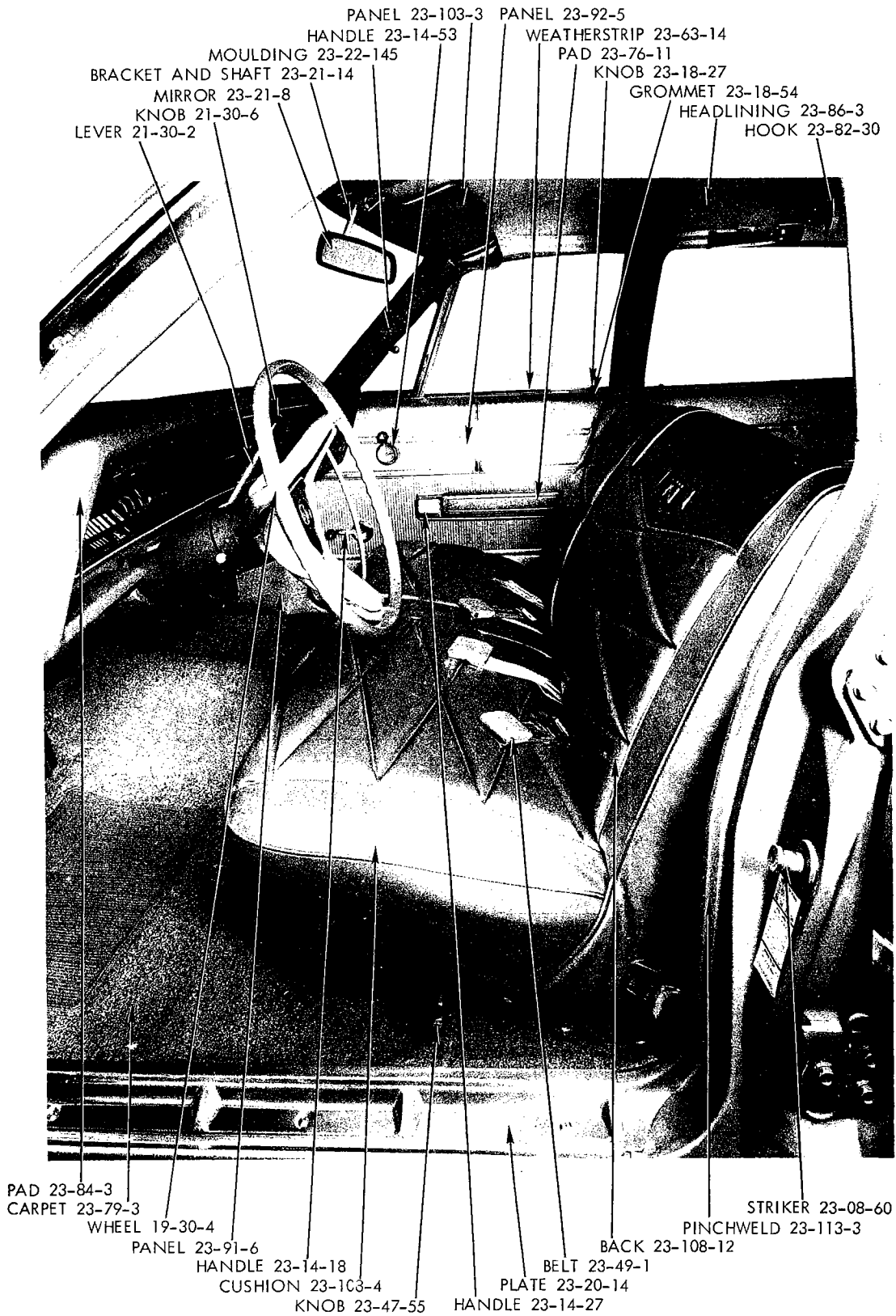
19a2650

FRONT INTERIOR - DODGE MONACO D-H STATION WAGON



19a2647

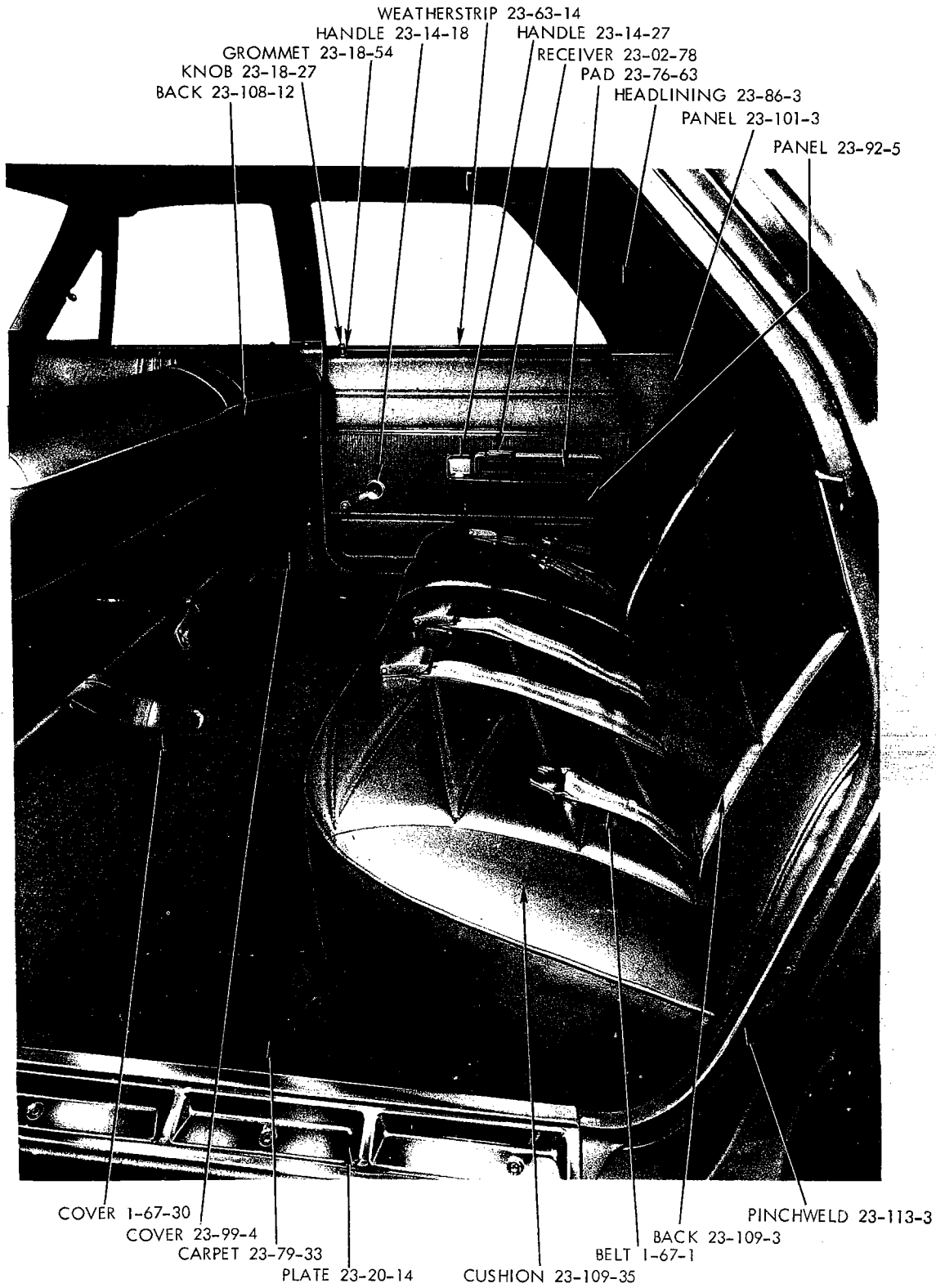
REAR INTERIOR - DODGE MONACO D-H STATION WAGON



- PANEL 23-103-3
- HANDLE 23-14-53
- WEATHERSTRIP 23-63-14
- PANEL 23-92-5
- MOULDING 23-22-145
- PAD 23-76-11
- BRACKET AND SHAFT 23-21-14
- MIRROR 23-21-8
- KNOB 23-18-27
- GROMMET 23-18-54
- HEADLINING 23-86-3
- LEVER 21-30-2
- KNOB 21-30-6
- HOOK 23-82-30
- PAD 23-84-3
- CARPET 23-79-3
- WHEEL 19-30-4
- PANEL 23-91-6
- HANDLE 23-14-18
- CUSHION 23-103-4
- KNOB 23-47-55
- HANDLE 23-14-27
- BACK 23-108-12
- BELT 23-49-1
- PLATE 23-20-14
- STRIKER 23-08-60
- PINCHWELD 23-113-3

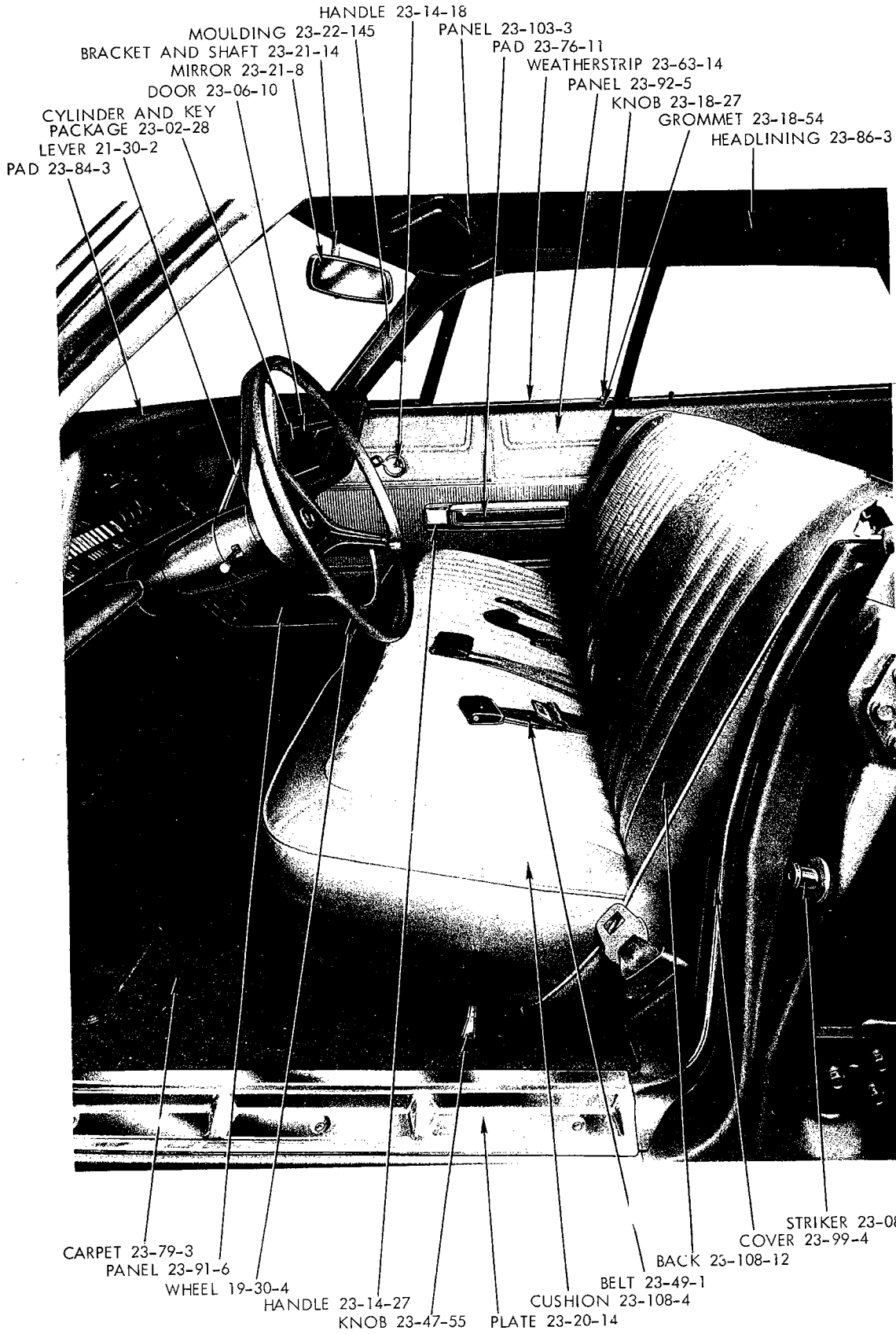
19a2630 A

FRONT INTERIOR - CHRYSLER NEWPORT C-E 4 DOOR SEDAN



19a2614 A

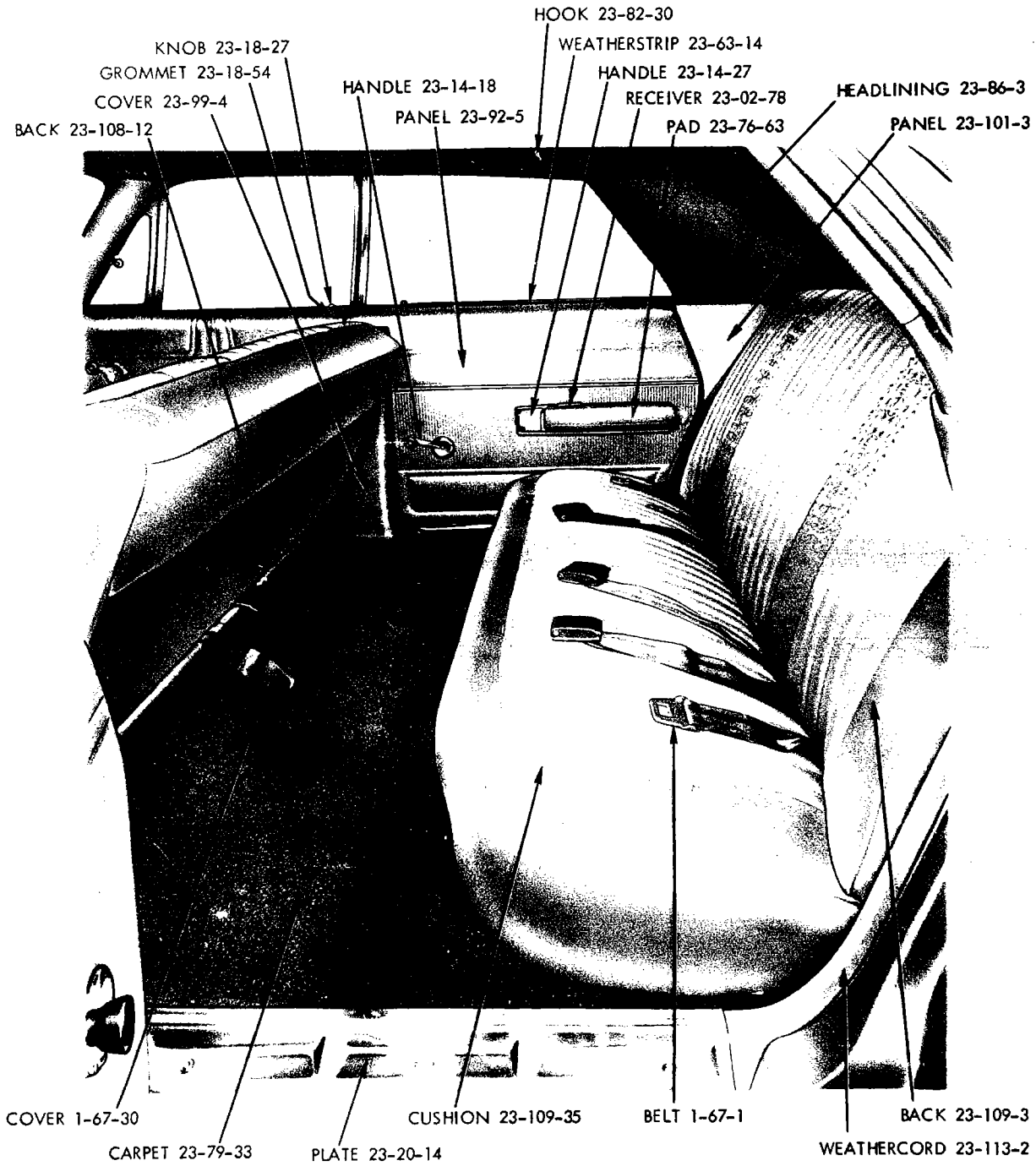
REAR INTERIOR - CHRYSLER NEWPORT C-E 4 DOOR SEDAN



HANDLE 23-14-18
 MOULDING 23-22-145
 BRACKET AND SHAFT 23-21-14
 MIRROR 23-21-8
 DOOR 23-06-10
 CYLINDER AND KEY PACKAGE 23-02-28
 LEVER 21-30-2
 PAD 23-84-3
 PANEL 23-103-3
 PAD 23-76-11
 WEATHERSTRIP 23-63-14
 PANEL 23-92-5
 KNOB 23-18-27
 GROMMET 23-18-54
 HEADLINING 23-86-3
 CARPET 23-79-3
 PANEL 23-91-6
 WHEEL 19-30-4
 HANDLE 23-14-27
 KNOB 23-47-55
 PLATE 23-20-14
 BELT 23-49-1
 CUSHION 23-108-4
 BACK 23-108-12
 STRIKER 23-08-60
 COVER 23-99-4

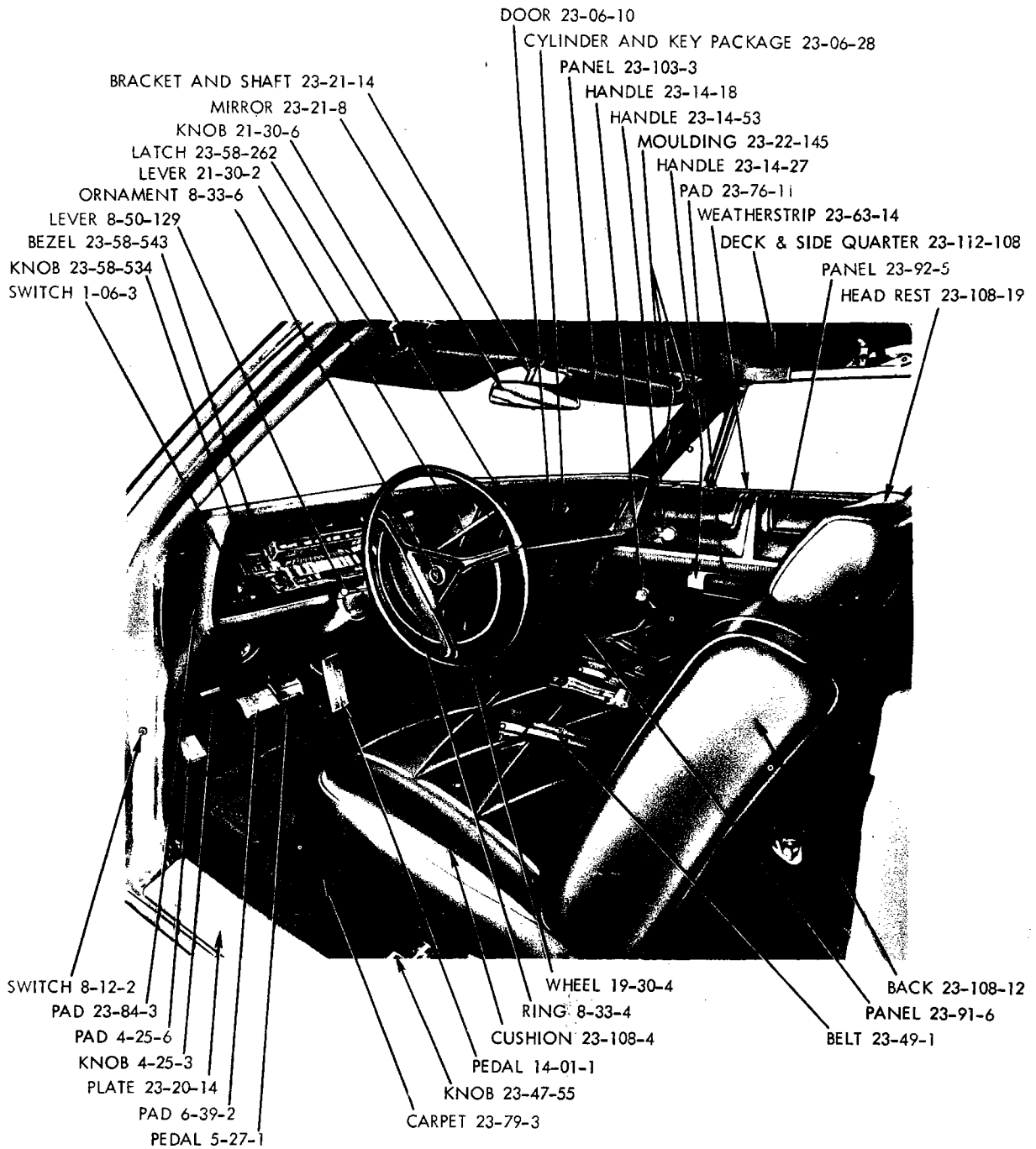
19a2629 A

FRONT INTERIOR - CHRYSLER NEWPORT C-E 4 DOOR HARDTOP



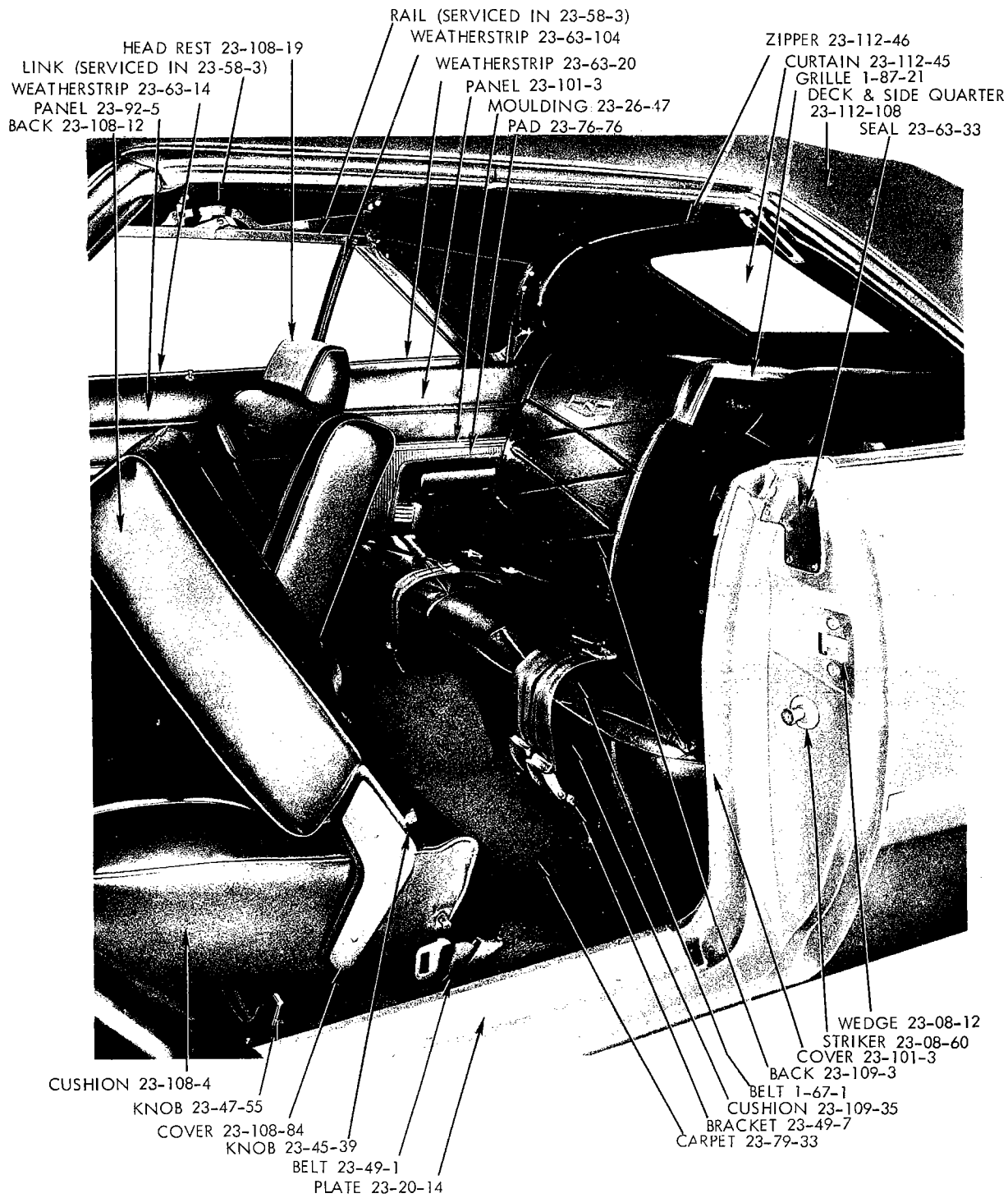
19a2613

REAR INTERIOR - CHRYSLER NEWPORT C-E 4 DOOR HARDTOP



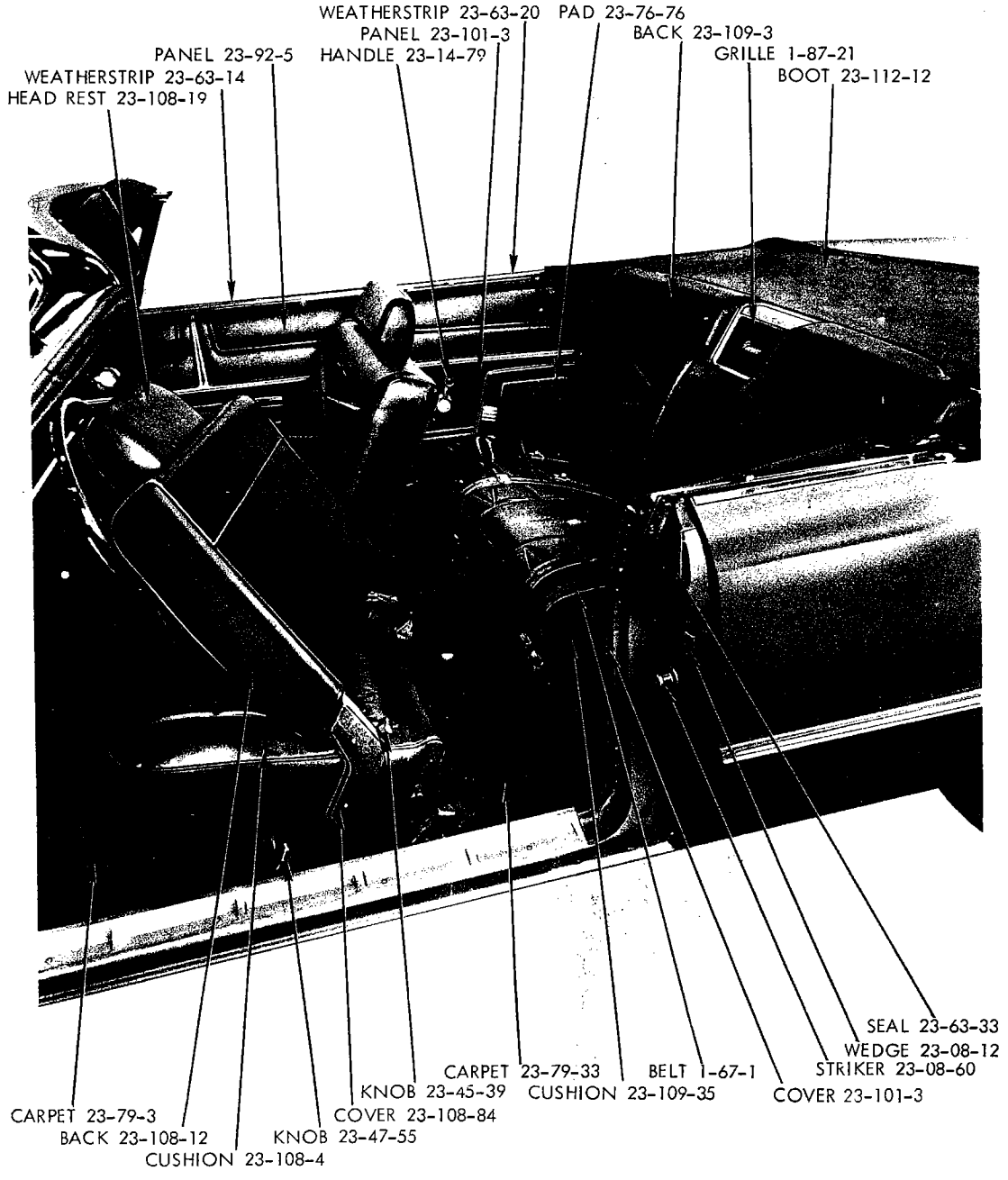
19a2492

FRONT INTERIOR - CHRYSLER NEWPORT C-E CONVERTIBLE COUPE



19a2496 A

REAR INTERIOR - CHRYSLER NEWPORT C-E CONVERTIBLE COUPE



WEATHERSTRIP 23-63-20 PAD 23-76-76
 PANEL 23-92-5 PANEL 23-101-3 BACK 23-109-3
 WEATHERSTRIP 23-63-14 HANDLE 23-14-79 GRILLE 1-87-21
 HEAD REST 23-108-19 BOOT 23-112-12

CARPET 23-79-3 KNOB 23-45-39 CARPET 23-79-33 BELT 1-67-1 SEAL 23-63-33
 BACK 23-108-12 KNOB 23-47-55 COVER 23-108-84 CUSHION 23-109-35 WEDGE 23-08-12
 CUSHION 23-108-4 COVER 23-101-3 STRIKER 23-08-60

19a2497 A

REAR INTERIOR - CHRYSLER NEWPORT C-E CONVERTIBLE COUPE (TOP DOWN)

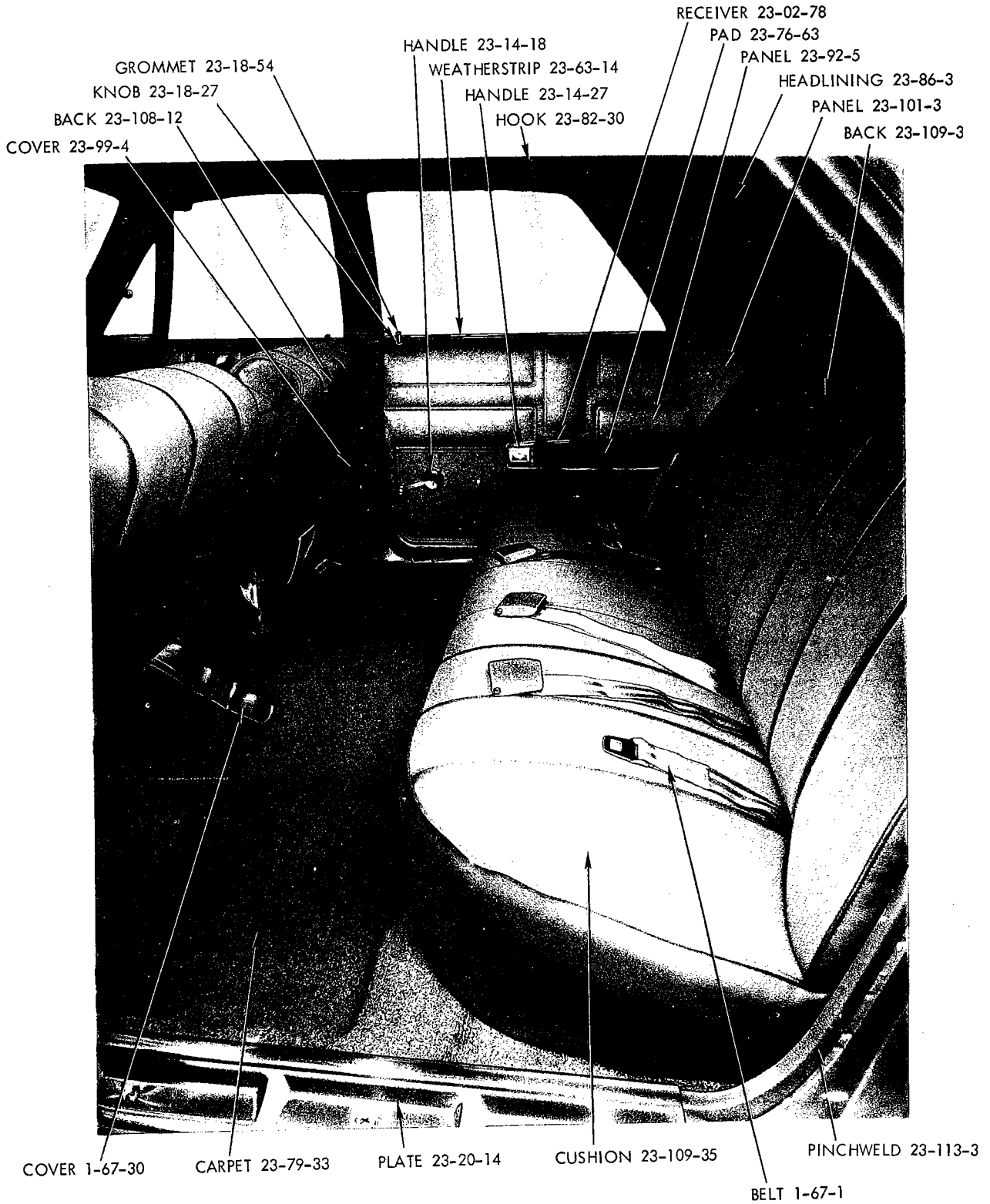
- PANEL 23-101-3
- HANDLE 23-14-27
- BRACKET AND SHAFT 23-21-14
- NAME PLATE 23-26-80
- MIRROR 23-21-8
- HEADLINING 23-86-3
- MOULDING 23-22-145
- PAD 23-76-11
- HANDLE 23-14-53
- WEATHERSTRIP 23-63-14
- HANDLE 23-14-18
- GROMMET 23-18-54
- PANEL 23-92-5
- ARM REST 23-76-18
- KNOB 23-18-27



- PANEL 23-91-6
- CARPET 23-79-3
- WHEEL 19-30-4
- PAD 23-84-3
- STRIPER 23-08-60
- WEATHERCORD 23-113-2
- SHIELD 23-108-98
- BACK 23-108-12
- BELT 23-49-1
- KNOB 23-47-55
- PLATE 23-20-14
- CUSHION 23-108-4

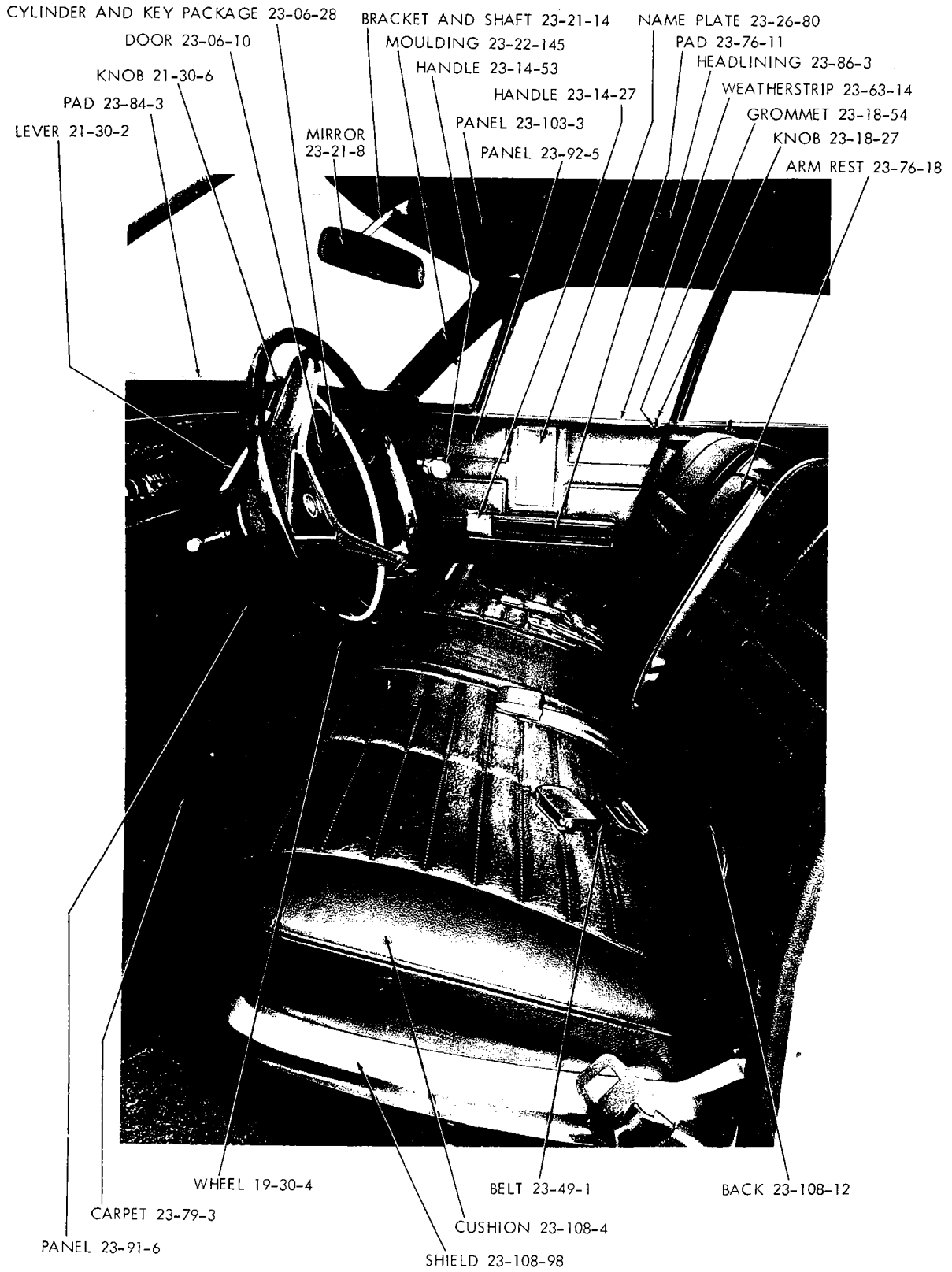
19a2631

FRONT INTERIOR - CHRYSLER NEWPORT CUSTOM C-L 4 DOOR SEDAN



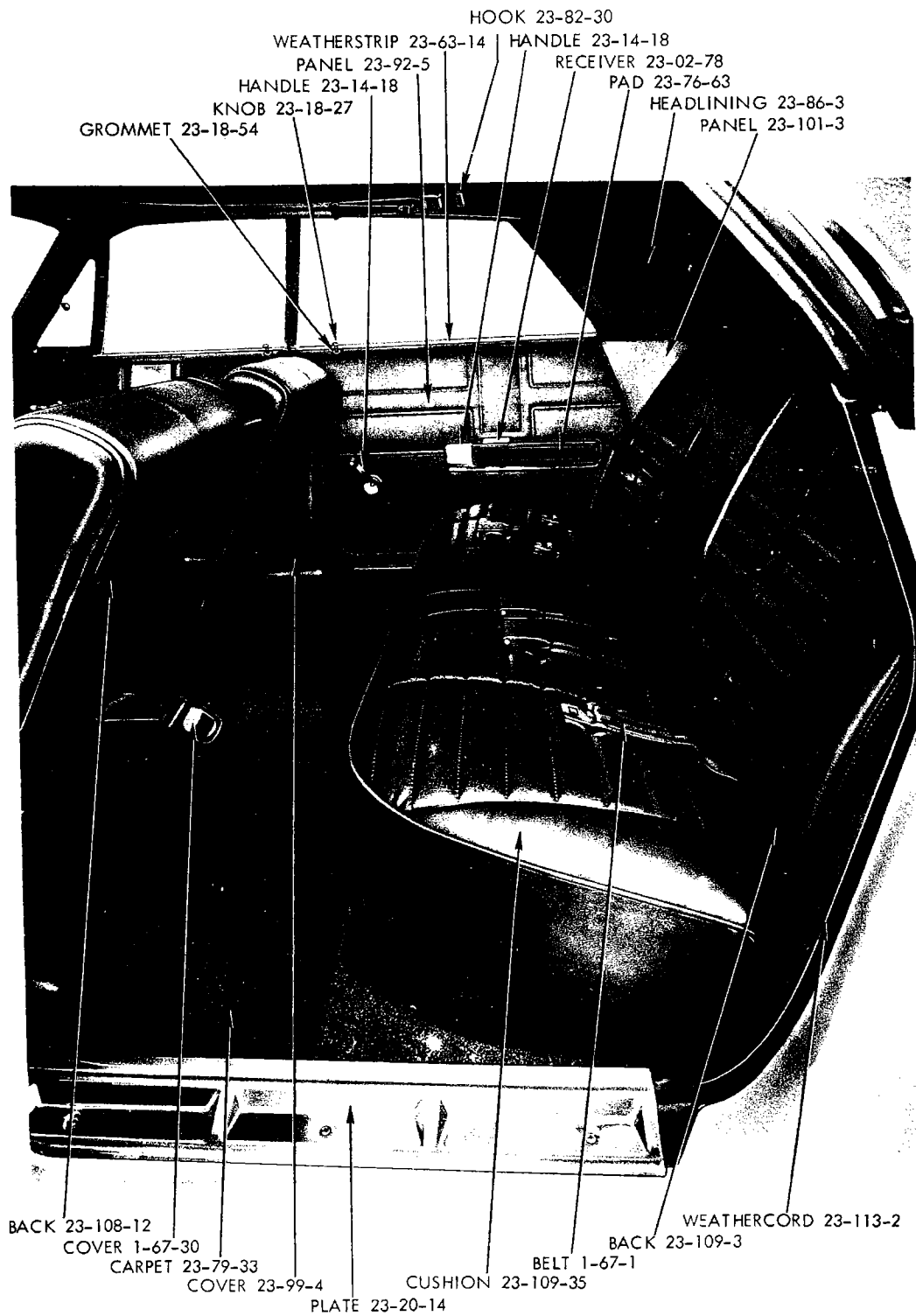
19a2615 A

REAR INTERIOR - CHRYSLER NEWPORT CUSTOM C-L 4 DOOR SEDAN



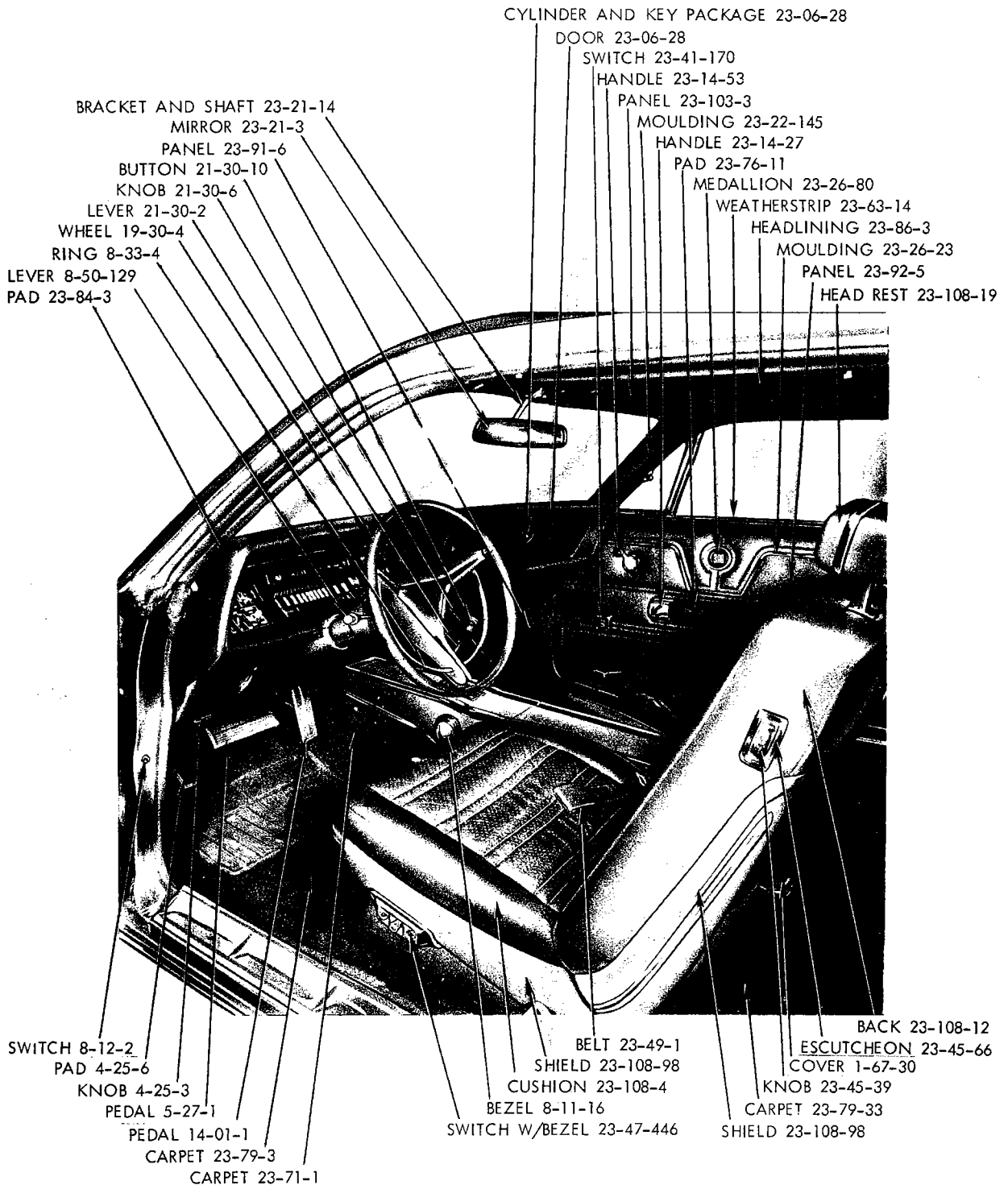
19a2635

FRONT INTERIOR - CHRYSLER NEWPORT CUSTOM C-L 4 DOOR HARDTOP



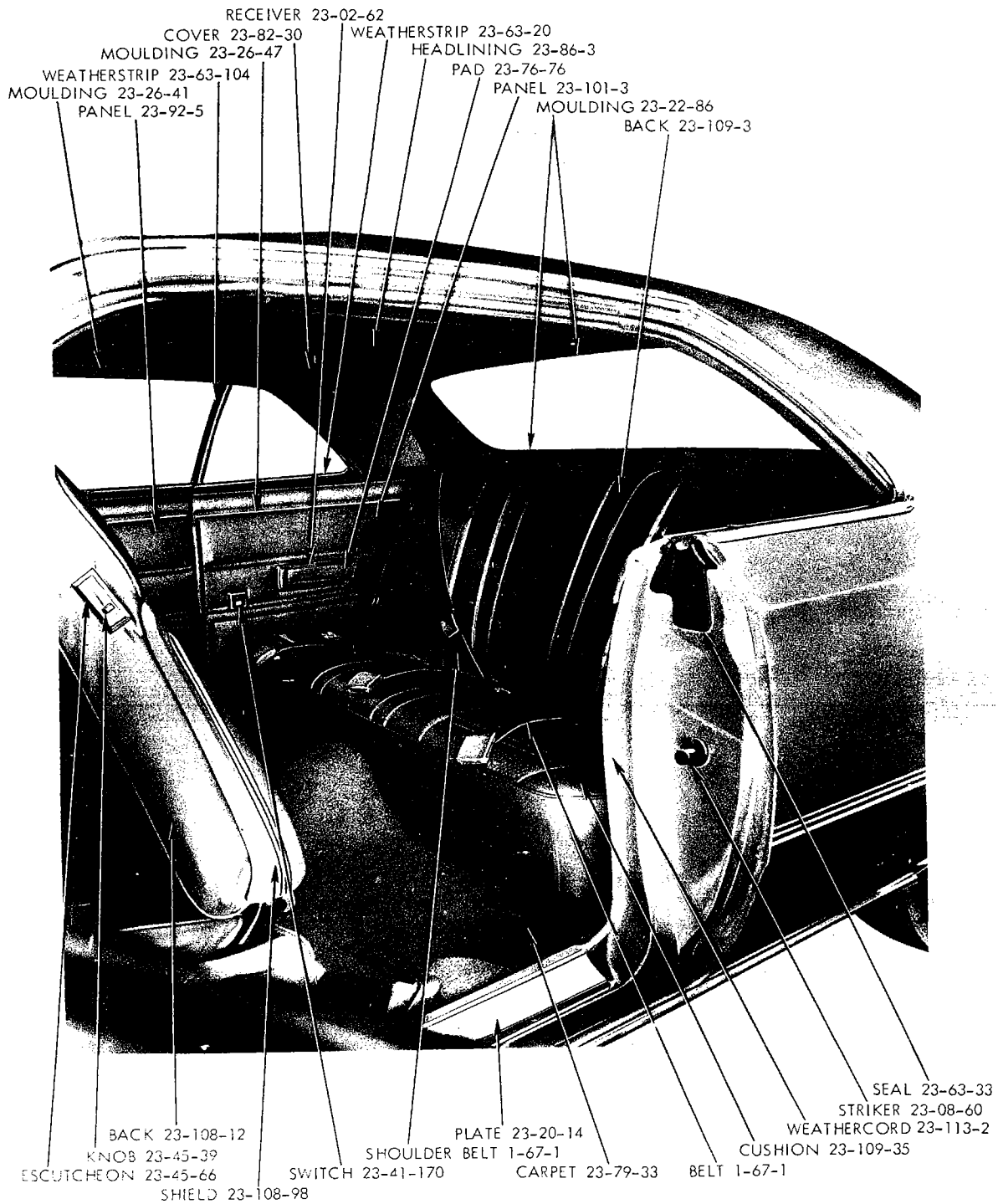
19a2619

REAR INTERIOR - CHRYSLER NEWPORT CUSTOM C-L 4 DOOR HARDTOP



19a2481A

FRONT INTERIOR - CHRYSLER 300 C-M 2 DOOR HARDTOP



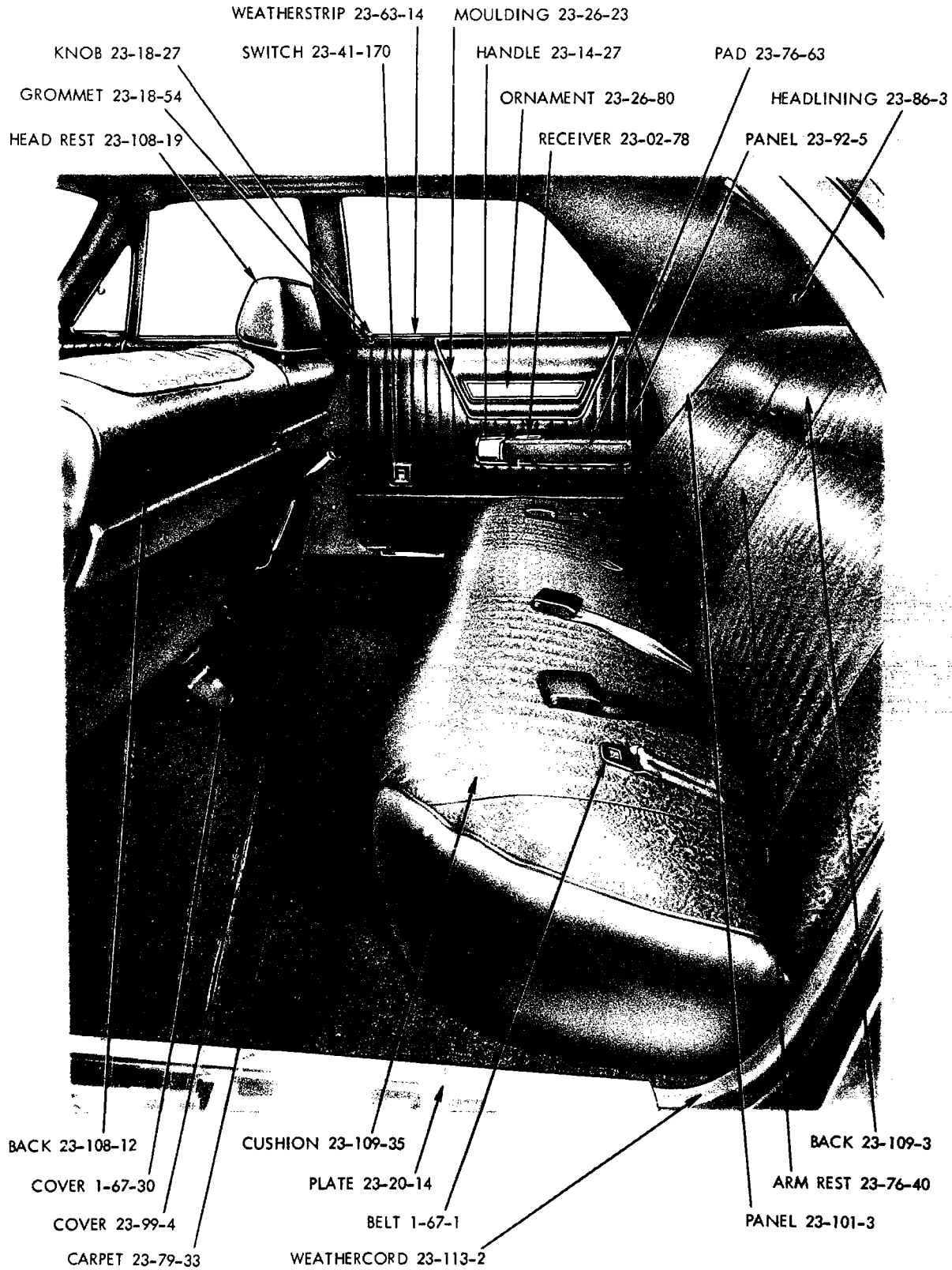
19a2476

REAR INTERIOR - CHRYSLER 300 C-M 2 DOOR HARDTOP



19a2634A

FRONT INTERIOR - CHRYSLER NEW YORKER C-H 4 DOOR SEDAN



19a2620

REAR INTERIOR - CHRYSLER NEW YORKER C-H 4 DOOR SEDAN

CYLINDER AND KEY PACKAGE 23-06-28

BRACKET AND SHAFT 23-21-14

MIRROR 23-21-8

MOULDING 23-22-145

SWITCH 23-41-170

DOOR 23-06-10

PAD 23-84-3

ORNAMENT 23-26-80

WEATHERSTRIP 23-63-14

HEADLINING 23-86-3

PANEL 23-103-3

HANDLE 23-14-27

KNOB 23-18-27

MOULDING 23-26-23

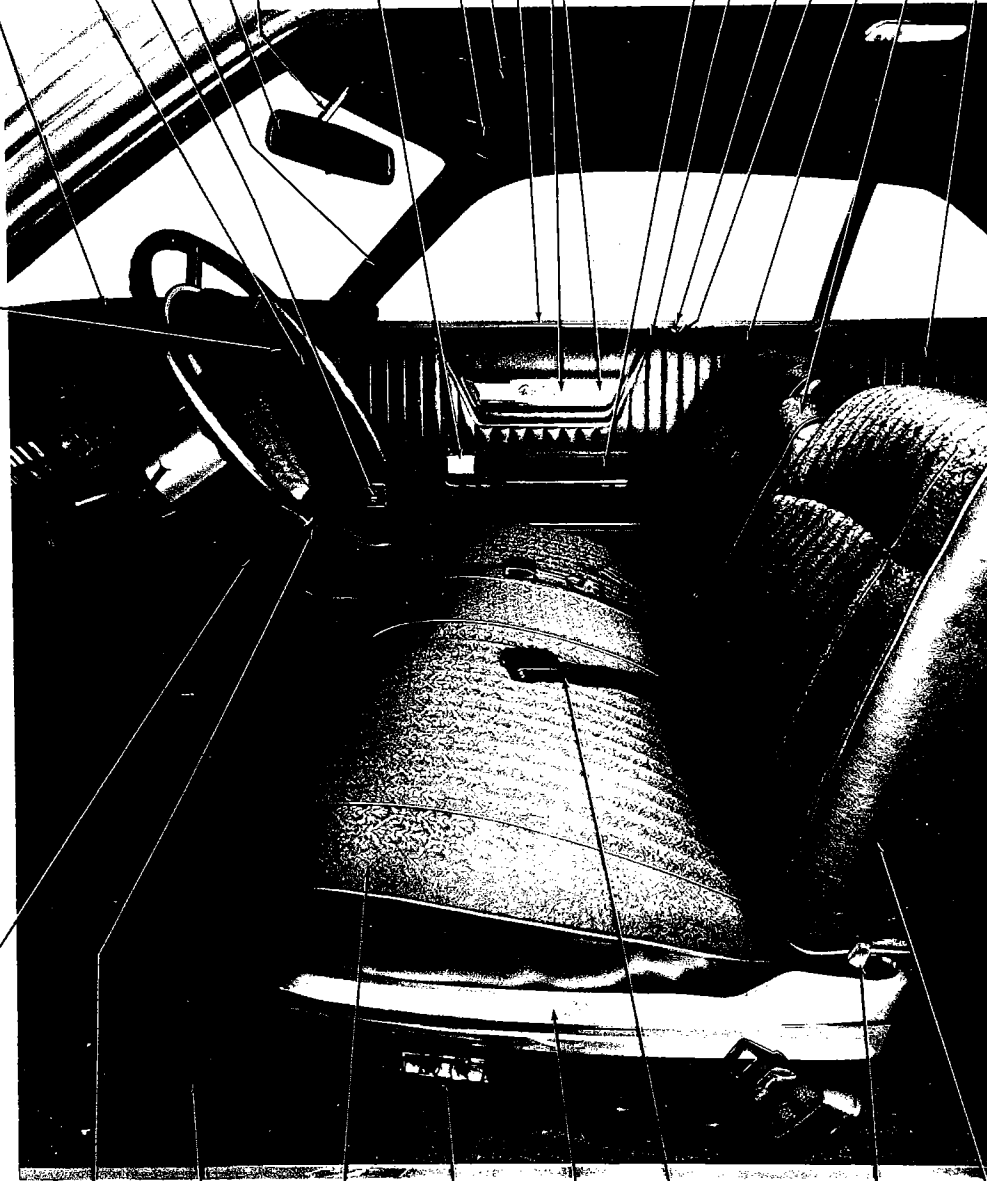
PAD 23-76-11

GROMMET 23-18-54

PANEL 23-92-5

ARM REST 23-76-18

PANEL 23-101-3



WHEEL 19-30-4

PANEL 23-91-6

CUSHION 23-108-4

CARPET 23-79-3

SHIELD 23-108-98

SWITCH W/BEZEL 23-47-446

BELT 23-49-1

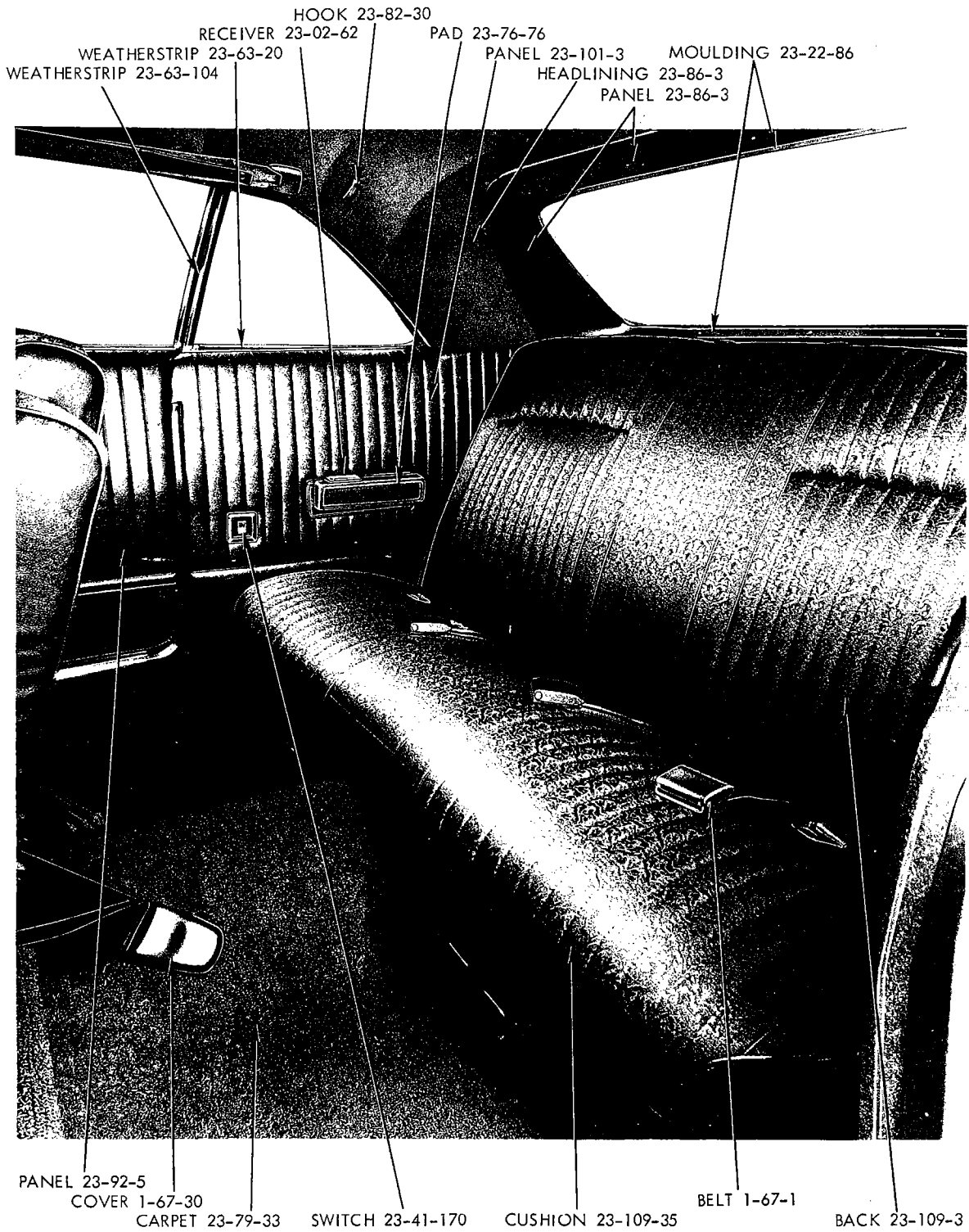
PLATE 23-20-14

BACK 23-108-12

KNOB 23-45-39

19a2632

FRONT INTERIOR - CHRYSLER NEW YORKER C-H 2 DOOR HARDTOP



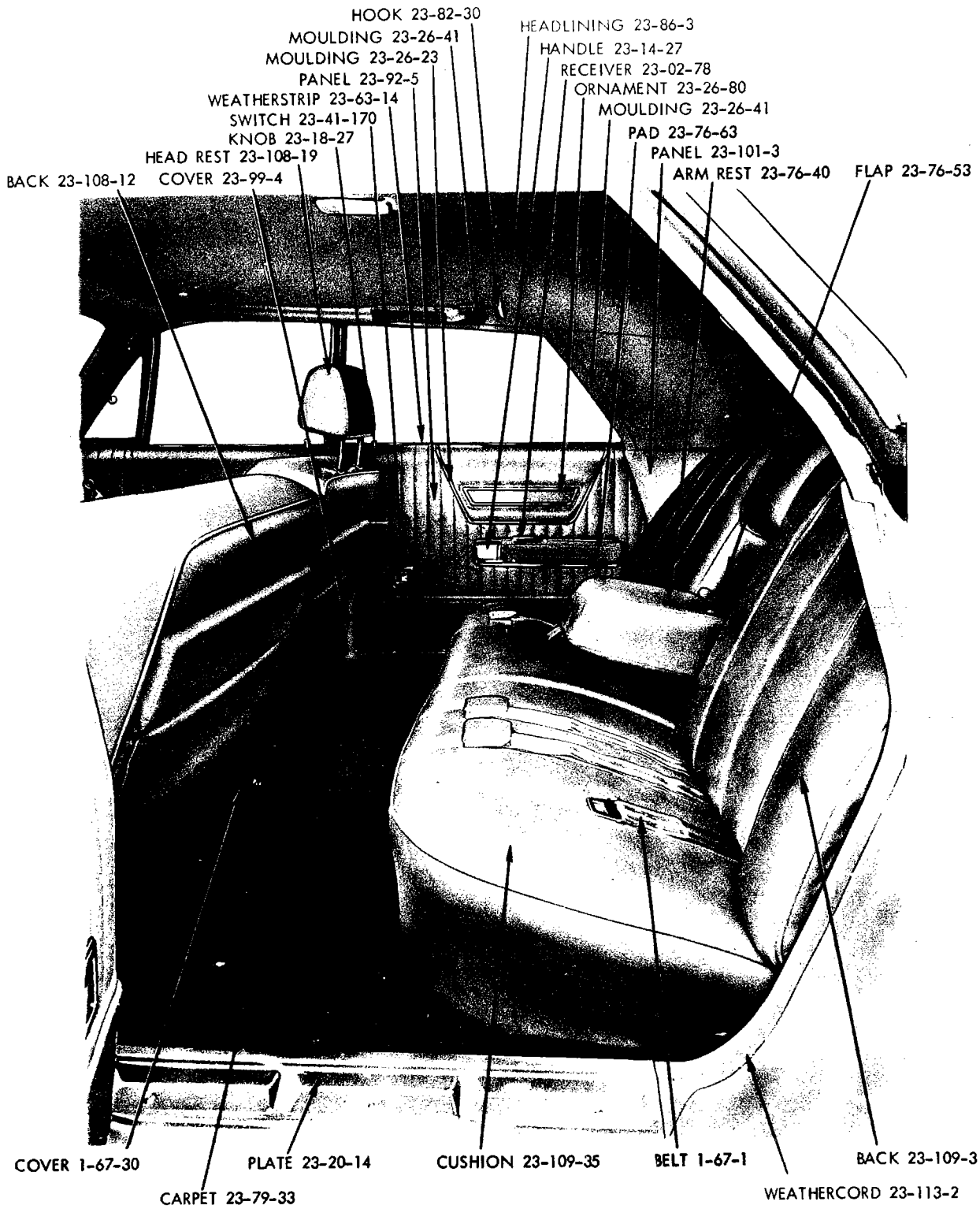
19a2616 A

REAR INTERIOR - CHRYSLER NEW YORKER C-H 2 DOOR HARDTOP



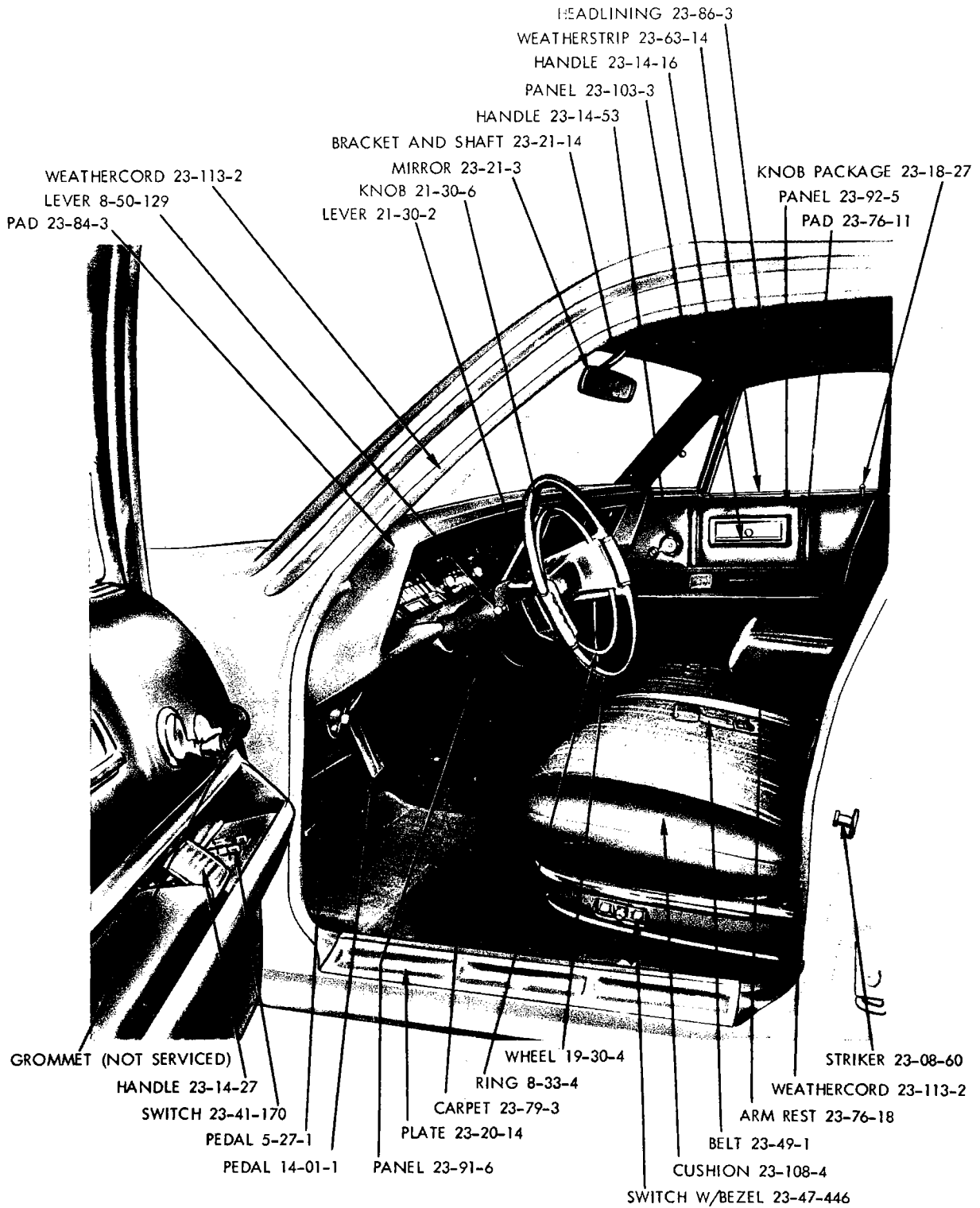
19a2633

FRONT INTERIOR - CHRYSLER NEW YORKER C-H 4 DOOR HARDTOP



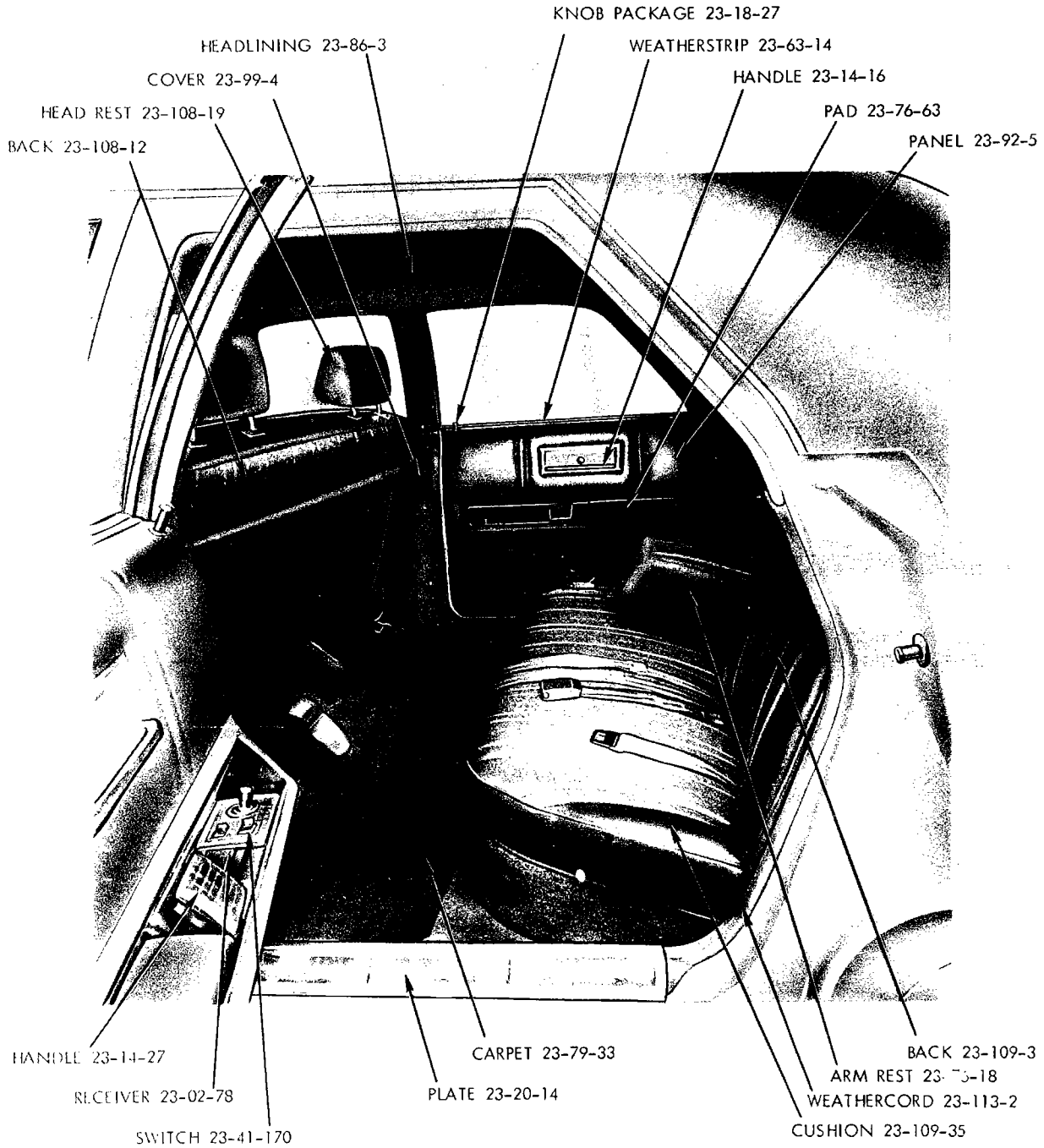
19a2617

REAR INTERIOR - CHRYSLER NEW YORKER C-H 4 DOOR HARDTOP



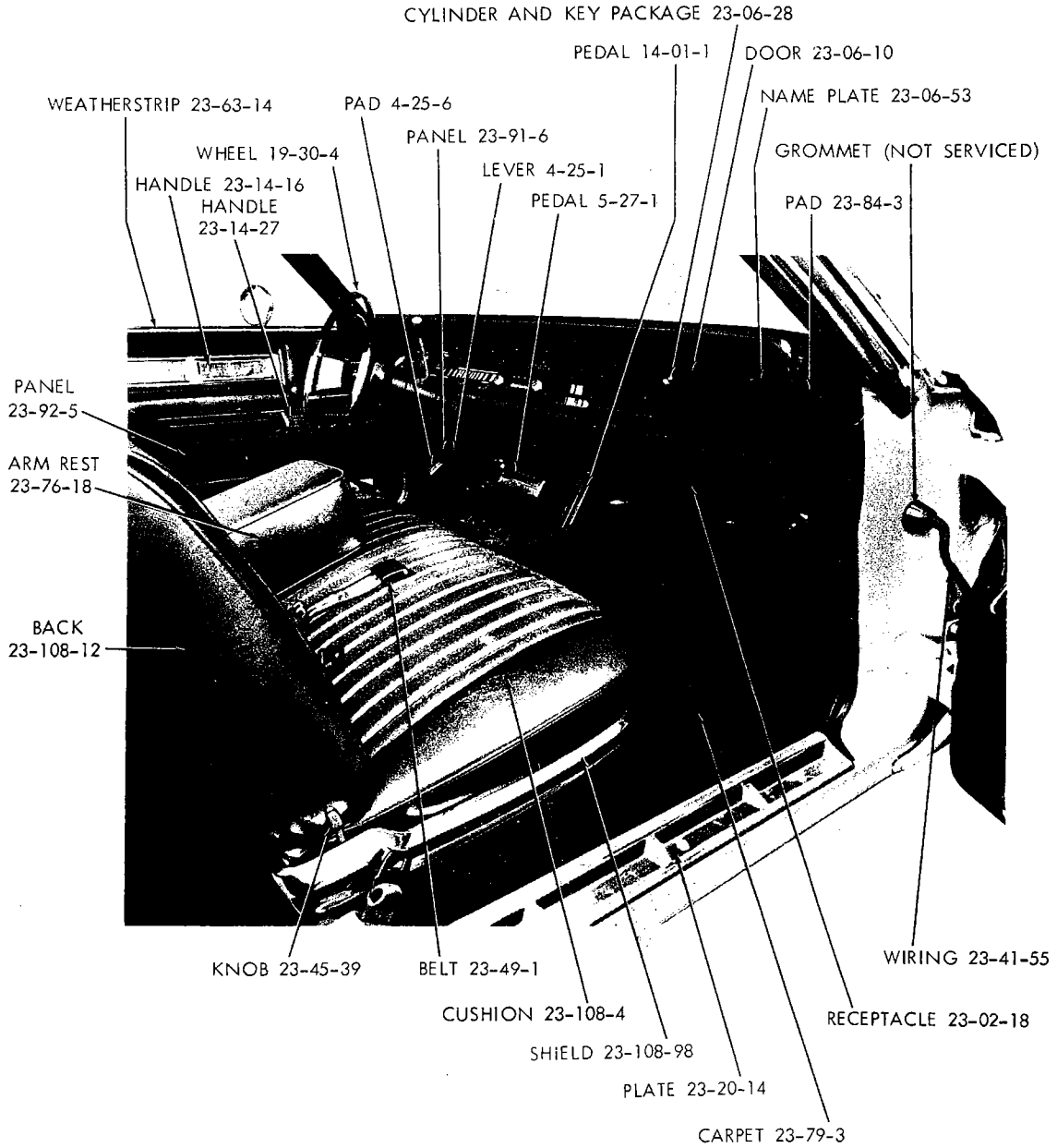
19a2590

FRONT INTERIOR - IMPERIAL CROWN Y-M 4 DOOR SEDAN



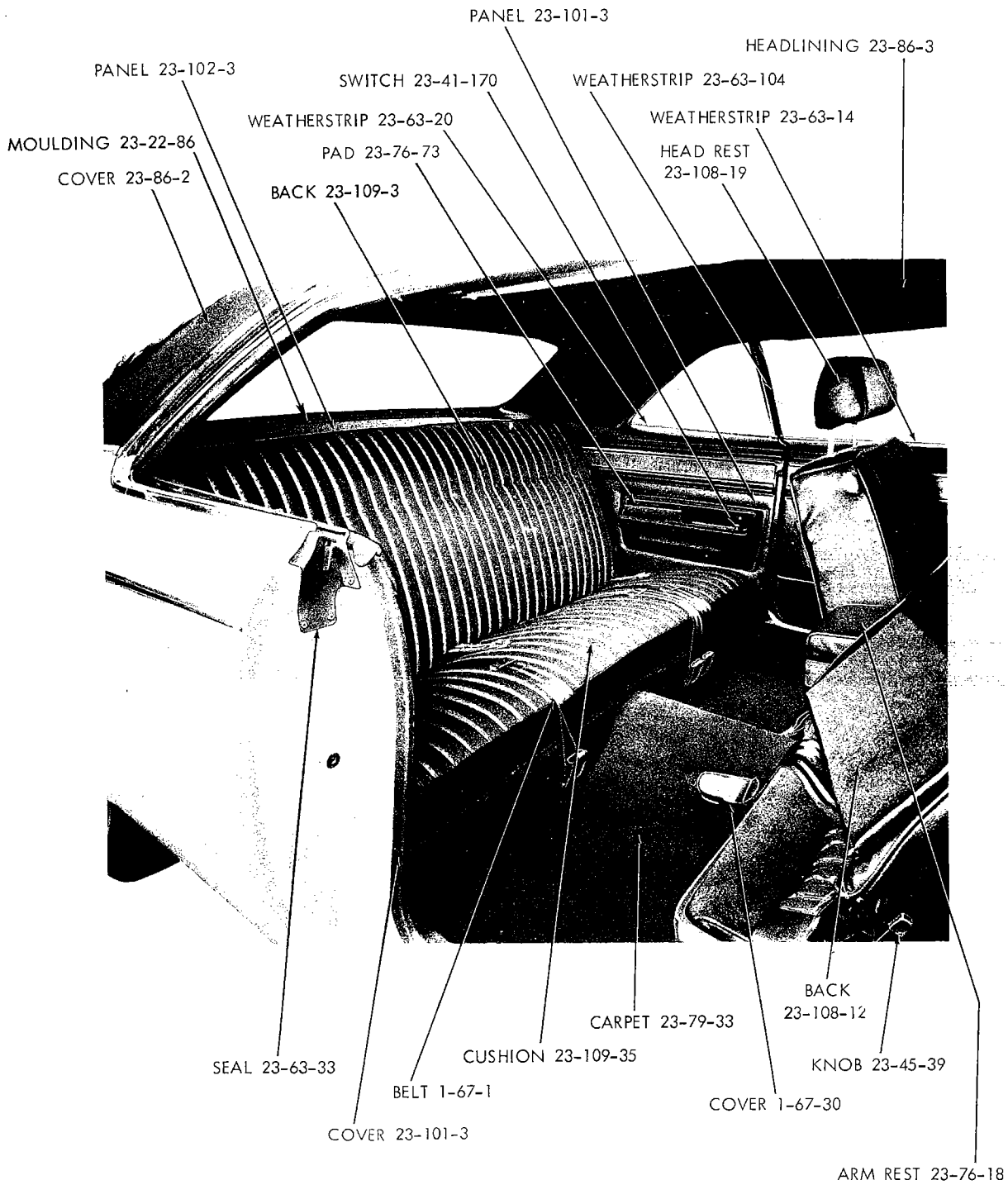
19a2589

REAR INTERIOR - IMPERIAL CROWN Y-M 4 DOOR SEDAN



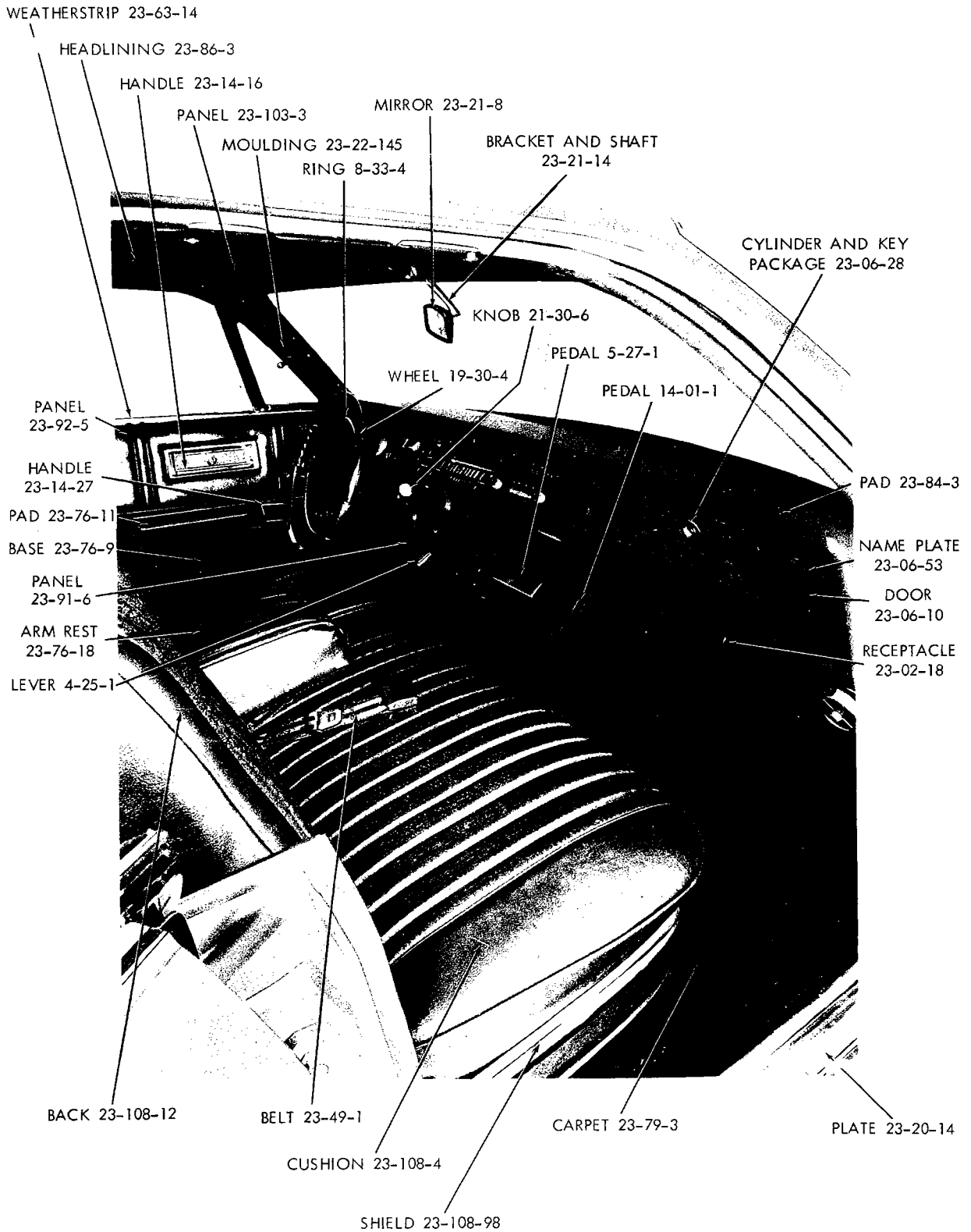
19a2729

FRONT INTERIOR - IMPERIAL CROWN 2 DOOR HARDTOP



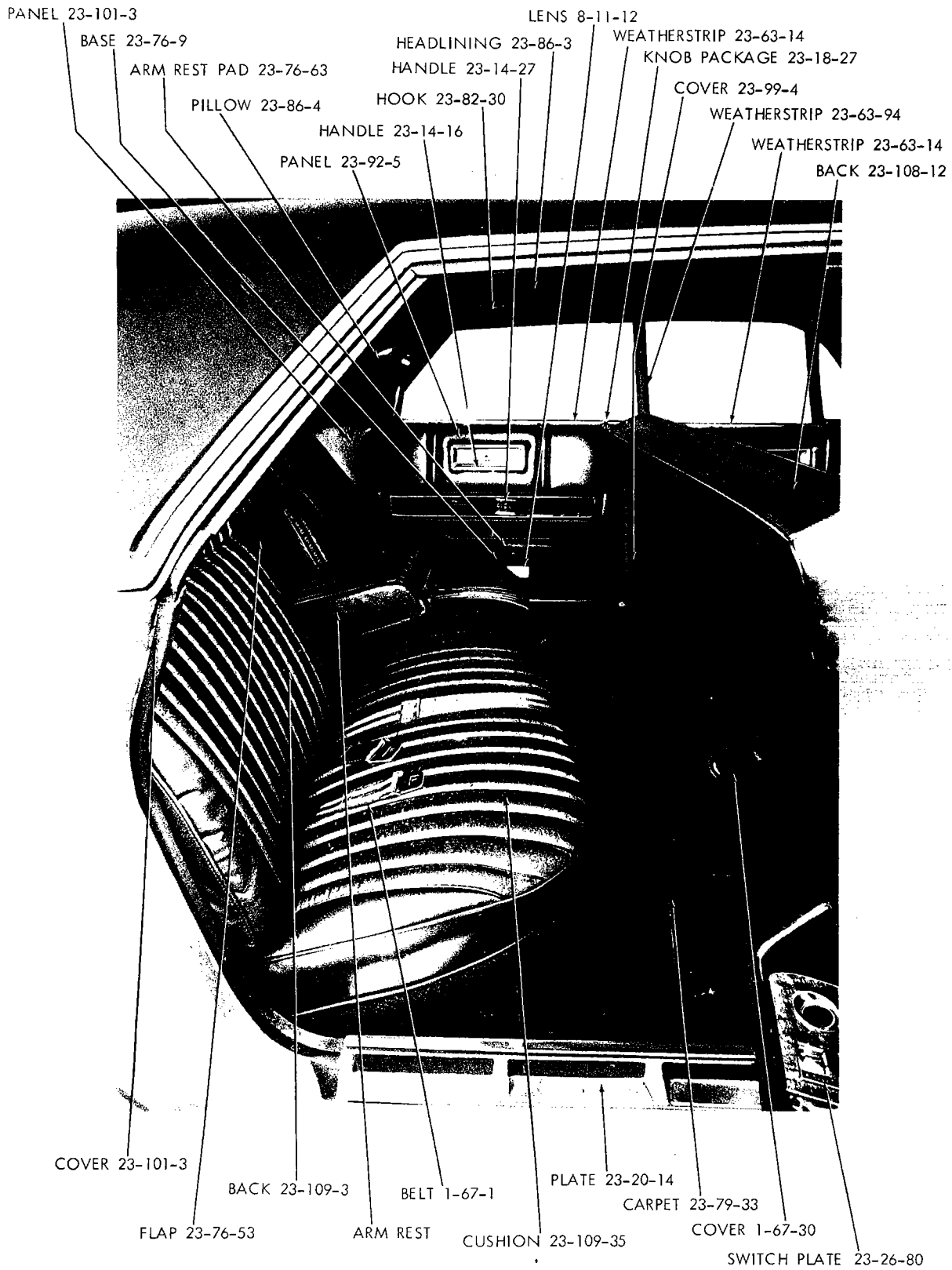
19a2727A

REAR INTERIOR - IMPERIAL CROWN 2 DOOR HARDTOP



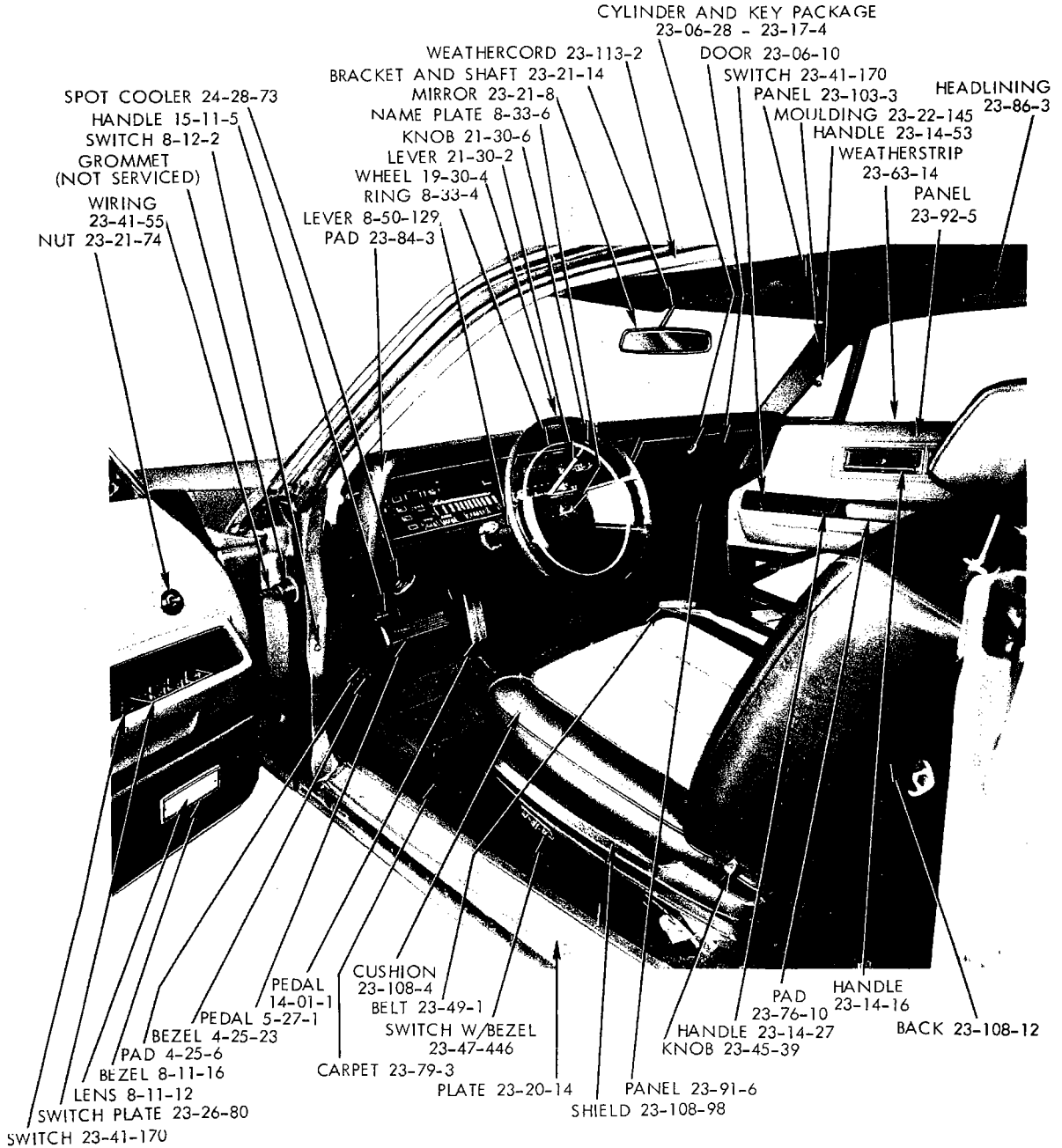
19a2728

FRONT INTERIOR - IMPERIAL CROWN 4 DOOR HARDTOP



19a2726

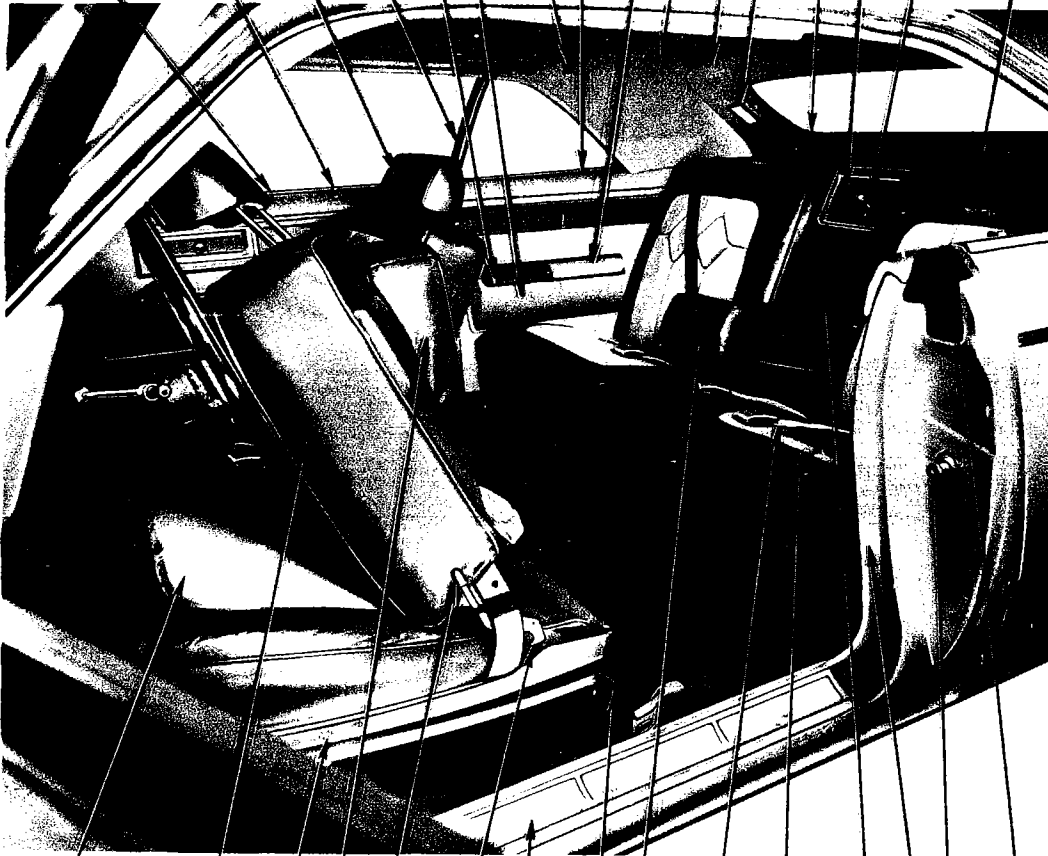
REAR INTERIOR - IMPERIAL CROWN 4 DOOR HARDTOP



19a2479 A

FRONT INTERIOR - IMPERIAL LE BARON Y-M 2 DOOR HARDTOP

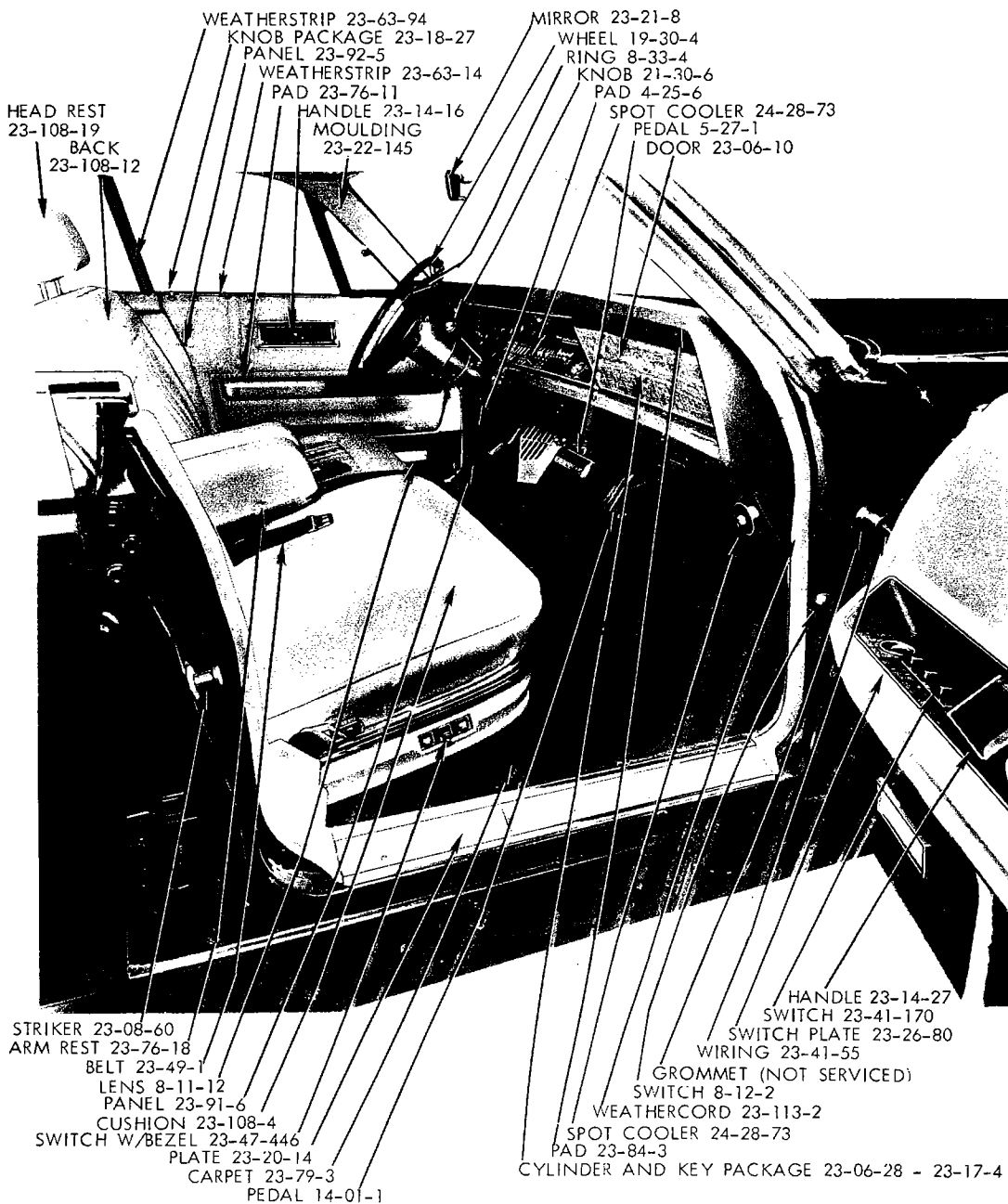
WEATHERSTRIP 23-63-20 PAD 23-76-76
 COVER 23-82-30 HEADLINING 23-86-3
 PANEL 23-101-3 PANEL 23-86-3
 SWITCH 23-41-170 LENS 8-11-12
 WEATHERSTRIP 23-63-104 MOULDING 23-22-86
 HEAD REST 23-108-19 BASE 23-26-75
 KNOB PACKAGE 23-18-27 MEDALLION 23-26-76
 WEATHERSTRIP 23-63-14 BACK 23-109-3



BACK 23-108-12
 CUSHION 23-108-4
 SHIELD 23-108-98
 ARM REST
 KNOB 23-45-39
 LATCH 23-45-57
 PLATE 23-20-14
 CARPET 23-79-33
 CUSHION 23-109-35
 BELT 1-67-1
 ARM REST 23-76-40
 FLAP 23-76-53
 SEAL 23-63-33
 STRIKER 23-08-60
 WEATHERCORD 23-113-2

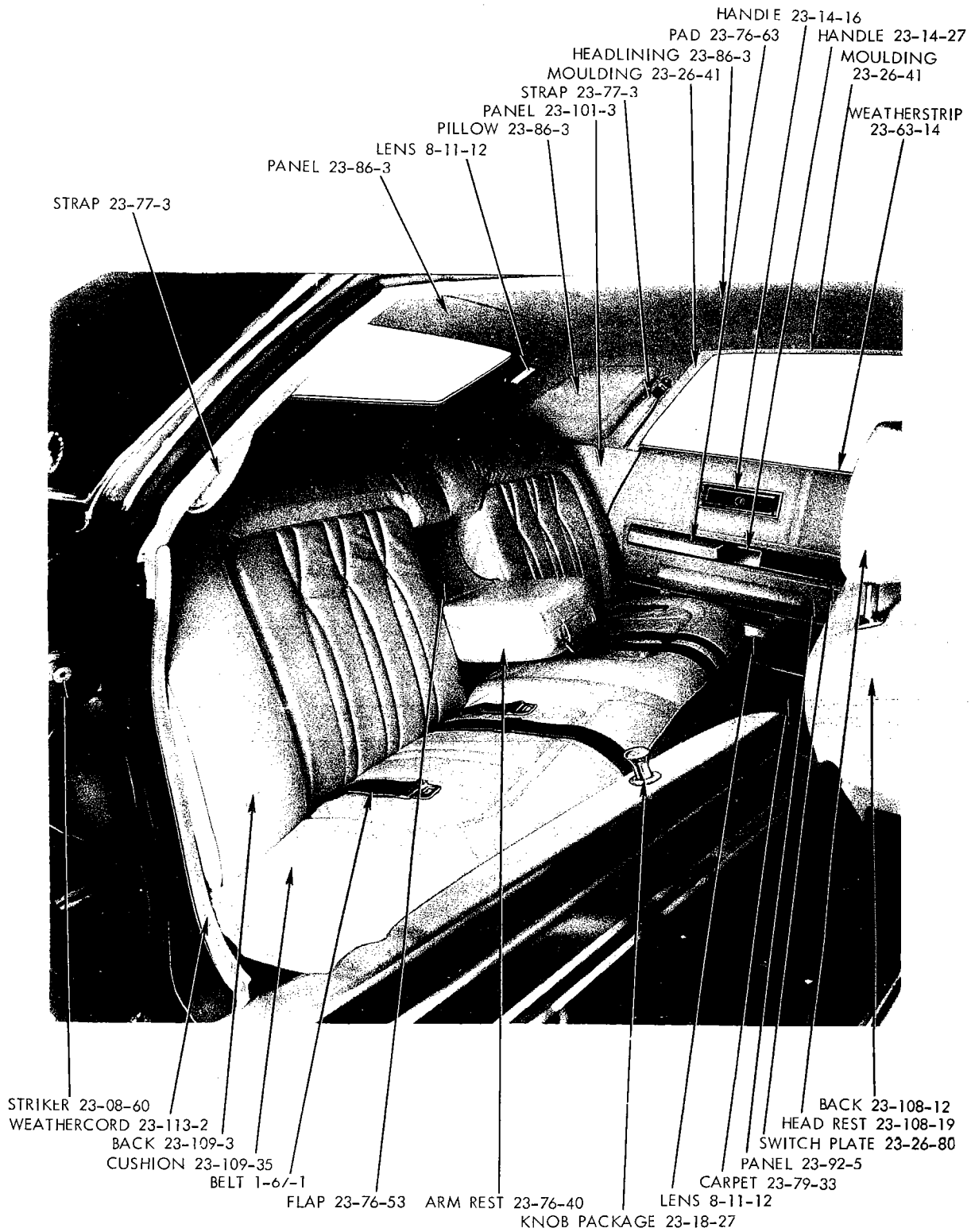
19a2475

REAR INTERIOR - IMPERIAL LE BARON Y-M 2 DOOR HARDTOP



19a2425 A

FRONT INTERIOR - IMPERIAL LE BARON Y-M 4 DOOR HARDTOP



19a2416A

REAR INTERIOR - IMPERIAL LE BARON Y-M 4 DOOR HARDTOP

1969 PASSENGER CAR PARTS CATALOG

This General Alphabetical Index of Group 23 (Body) is provided as a handy reference to determine in which section a part related to certain body applications may be located.

<u>TYPE OF PARTS</u>	<u>BASIC CODE</u>	<u>TYPE OF PARTS</u>	<u>BASIC CODE</u>
<u>GROUP 23 - BODY</u>		<u>GROUP 23 - BODY</u>	
ADJUSTER, Seat	23-47-0	MIRRORS	23-21-0
AIR INTAKE	23-61-0	MOULDING, Garnish	23-22-0
ANTI-SQUEAK, Body	23-31-0	MOULDING, Trim Finish	23-26-0
ASH RECEIVERS	23-02-0	MOULDING, Drain Trough	23-59-0
BOARD, Floor	23-04-0	PADS, Body	23-31-0
BODY LINERS	23-31-0	PANELS, Body	23-34-0
BOX, Glove	23-06-0	PANELS, Instrument	23-33-0
BUMPER, Body	23-32-0	PANELS, Rocker	23-51-0
BUMPER, Door	23-08-0	PANS, Body	23-32-0
CHANNELS	23-09-0	PILLARS	23-36-0
CHECKS, Door	23-10-0	RECEIVERS, Ash	23-02-0
CONSOLE	23-38-0	REGULATORS, Door	23-14-0
COWL VENT	23-61-0	ROCKER PANELS	23-51-0
CYLINDER,&Keys	23-17-0	SEALS, Body	23-31-0
DECK LID	23-19-0	SEAT ADJUSTER	23-47-0
DOORS	23-11-0	SEAT, 2nd. - 3rd.	23-48-0
DOOR HANDLES	23-14-0	SEAT SPRINGS	23-52-0
FLOOR BOARDS	23-04-0	SILL PANELS	23-51-0
FOLDING TOP PARTS	23-58-0	SPRINGS, Seat	23-52-0
GLASS RUN	23-42-0	STRIKERS	23-08-0
GLASS, Window	23-64-0	TABLE, Swivel	23-37-0
GLASS, Windshield	23-66-0	TAILGATE	23-54-0
GLOVE BOX	23-06-0	TOP, Folding	23-58-0
HANDLES, Door	23-14-0	VENT, Cowl	23-61-0
HINGES, Door	23-15-0	VENT WINDOW	23-64-0
INSULATORS, Body	23-31-0	WASHER, Windshield	23-67-0
INTAKE, Air	23-61-0	WEATHERSTRIP	23-63-0
LID, Deck	23-19-0	WINDOW LIFT (Manual)	23-39-0
LIFT, Window (Manual)	23-39-0	WINDOW LIFT (Electric)	23-41-0
LIFT, Window (Electric)	23-41-0	WINDOW, Vent	23-64-0
LINERS, Body	23-31-0	WINDSHIELD	23-66-0
LOCK CYLINDER, and KEYS	23-17-0	WINDSHIELD WASHER	23-67-0
LUGGAGE, Rack	23-40-0	WINDSHIELD WIPER	23-67-0
MATS, Floor	23-20-0		

CODE	PART NAME	MODEL CODES	SEE BOTTOM NOTE								PART NUMBER
			21	23	27	29	41	43	45	46	
23-02-0 ASH RECEIVER											
23-02-2	RETAINER, w/BEZEL, 3rd. Seat Ash Receiver	D,C	—	—	—	—	—	—	—	1	2080 784
	SCREW	D,C	—	—	—	—	—	—	—	2	9417 316
23-02-18	RECEPTACLE, Inst. Pnl. Ash Receiver w/Face Plate	V,B,L	1	1	1	1	1	—	—	—	2771 725
		R,W	1	1	1	1	1	—	1	1	2822 827
	w/o Rallye Inst. Pnl.	R,W	1	1	1	—	1	—	1	1	2984 475
	w/Rallye Inst. Pnl.	W	1	1	1	1	—	—	—	—	2984 476
		Rt. C,Y	—	1	1	—	1	1	1	1	2984 517
		Lt. C,Y	—	1	1	—	1	1	1	1	2984 525
	RECEIVER, Inst. Pnl. Ash Slide Type, Comp., Prime	R,W	1	1	1	—	1	—	1	1	2927 391
	Tilt Type, Comp., Prime	R,W	1	1	1	—	1	—	1	1	2927 556
	w/RALLYE INST. PNS., Tilt Type, Comp., Prime	W-M, W-P									
		W-S	1	1	1	1	—	—	—	—	2927 897
	Comp., Prime	P,D	1	1	1	—	1	1	1	1	2927 446
23-02-19	HOUSING, Inst. Pnl. Ash Receiver	V,B,L	1	1	1	1	1	—	—	—	2771 277
		Rt. C,Y	—	1	1	—	1	1	1	1	2984 522
		Lt. C,Y	—	1	1	—	1	1	1	1	2984 529
23-02-20	NUT, Ash Receiver Hsg. to Frt. Plate use w/Console	B,L-P									
		L-S	—	1	1	1	—	—	—	—	1839 995
23-02-29	STOP, Inst. Panel Ash Receiver	P,D	1	1	1	1	1	1	1	1	# 3621 750
23-02-30	BUTTON, Inst. Pnl Ash Receiver Stop	R,W	2	2	2	2	2	—	2	2	2984 477
23-02-38	BUMPER, Inst. Pnl. Ash Rec. to Ash Rec. Hsg.	C,Y	—	4	4	—	4	4	4	4	1651 493
	BUMPER, Inst. Pnl. Ash Receiver	P,D	2	2	2	2	2	2	2	2	2984 548
	BUMPER, Inst. Pnl. Ash Receiver Spring	C,Y	—	2	2	—	2	2	2	2	2771 668
23-02-42	HANDLE, Inst. Pnl. Ash Receiver	R,W	1	1	1	1	1	—	1	1	2984 062
23-02-62	RECEIVER, Qtr. Arm Rest Ash										
	Comp	V,B,L	2	2	—	2	—	—	—	—	2788 032
		R,W	2	2	—	2	—	—	—	—	2589 587
		P,D,C	2	2	2	2	—	—	—	—	2589 587
		Y	—	2	—	—	—	—	—	—	2589 874
23-02-68	RECEPTACLE, Qtr. Arm Rest Ash Receiver	V,B,L	2	2	—	2	—	—	—	—	2788 701
	BEZEL, Qtr. Arm Rest Ash Receiver										
	BEZEL, Qtr. Arm Rest Ash Receiver Retaining	R,W	2	2	—	2	—	—	—	—	2657 877
		P,D,C	2	2	2	2	—	—	—	—	2657 877
	BEZEL, Rear Door Arm Rest Ash Receiver	V-H									
		L-H	—	—	—	—	2	—	—	—	2788 701
	BEZEL, Rear Door Arm Rest Ash Receiver Retaining	R,W	—	—	—	—	2	—	2	2	2657 877
		P,D,C	—	—	—	—	2	2	2	2	2657 877
23-02-78	RECEIVER, Rear Door Arm Rest Ash										
	Comp	V-H									
		L-H	—	—	—	—	2	—	—	—	2788 032
	Comp	R,W,P,D,									
		C	—	—	—	—	2	2	2	2	2589 587
	RECEPTACLE, Rear Door Arm Rest Ash Rec	Y	—	—	—	—	2	2	—	—	2589 874
23-02-79	RECEIVER, w/LID, Folding Top Pocket Pnl. Ash	R,W	—	—	2	—	—	—	—	—	2490 481
	RECEIVER, Folding Top Pocket Pnl. Arm Rest Ash										
	Comp	B,L	—	—	2	—	—	—	—	—	2788 733
23-02-82	SPRING, Folding Top Pocket Pnl. Arm Rest Ash Receiver	B,L	—	—	2	—	—	—	—	—	2499 590

TYPE LETTERS Indicates	B - Barracuda	V - Valiant L - Dart	R - Belvedere W - Coronet	P - Plymouth D - Dodge	C - Chrysler Y - Imperial
NUMERALS INDICATE:	21 - 2 DR. SED. 23 - 2 DR. H.T.	27 - CONV. CPE. 29 - FAST BACK	41 - 4 DR. SED. 43 - 4 DR. H.T.	45 - 6 PASS. STA. WGN. 46 - 9 PASS. STA. WGN.	

AR Indicates use as required. Numerals in parentheses () refer to notes. Printed in U.S.A. January 1971
 # Indicates parts not listed in any previous parts book ★ Indicates change or addition.
 Right and left part numbers are on same line, first number is right, second number is left.

CODE	PART NAME	MODEL CODES	SEE BOTTOM NOTE						PART NUMBER		
			21	23	27	29	41	43		45	46
23-02-0 ASH RECEIVER Cont'd.											
23-02-82	SPRING Cont'd.										
	SPRING, Folding Top Pocket Pnl. Ash Receiver	R,W	—	—	2	—	—	—	—	2292 503	
	SPRING, Qtr. Arm Rest Ash Receiver	V,B,L	2	2	—	2	—	—	—	2292 503	
		R,W	2	2	—	2	—	—	—	2292 503	
		P,D,C	2	2	2	2	—	—	—	2292 503	
	SPRING, Qtr. Arm Rest Ash Receiver Lid	Y	—	2	—	—	—	—	—	2572 163	
	SPRING, Rear Door Ash Receiver Lid	V-H, L-H	—	—	—	—	2	—	—	2292 503	
		R,W, P,D,									
		C	—	—	—	—	2	2	2	2	2292 503
		Y	—	—	—	—	2	2	—	—	2572 163
23-02-84	BUMPER, Door Arm Rest Ash Receiver Lid										
		Rear	Y	—	—	—	6	6	—	—	1639 961
	BUMPER, Qtr. Arm Rest Ash Receiver	Y	—	6	—	—	—	—	—	—	1639 961
23-02-105	RECEIVER, Floor Console Ash	L-S	—	1	1	1	—	—	—	—	2657 284
23-02-107	BEZEL, Folding Top Pocket Pnl. Ash Receiver	R,W	—	—	2	—	—	—	—	—	1623 104
23-02-110	HOUSING, Console Ash Receiver	B,L-P,	—	1	1	1	—	—	—	—	2656 391
		L-S	—	1	1	1	—	—	—	—	2656 391
23-02-111	Lid, Console Ash Receiver	B,L-P,	—	1	1	1	—	—	—	—	2589 615
		L-S	—	1	1	1	—	—	—	—	2589 615
23-02-115	GUIDE, Console Ash Receiver Lid	B,L-P,	—	2	2	2	—	—	—	—	2656 087
		L-S	—	2	2	2	—	—	—	—	2656 087
23-02-145	RECEPTACLE, w/FACE PLATE, 3rd. Seat Ash Receiver	D,C	—	—	—	—	—	—	—	1	2161 115
	RECEIVER and RETAINER, 3rd. Seat Ash	Comp. D,C	—	—	—	—	—	—	—	1	2161 119
23-04-0 FLOOR BOARDS											
23-04-205	MOULDING, Ctr. Floor Pan Cover Pnl. Frt.	B	—	—	—	1	—	—	—	—	2839 174
	MOULDING, Rear Floor Well Carpet Side Ret.	Prime R,W	—	—	—	—	—	—	—	1	2656 886-7
	MOULDING, Rear Floor Pan Cover Pnl.	Prime R,W	—	—	—	—	—	—	1	—	2254 668
	SCREW	R,W	—	—	—	—	—	—	16	—	9414 711
	MOULDING, Ctr. and Rear Floor Pan Cover Pnl.	Prime P,D,C	—	—	—	—	—	—	—	1	2526 642
	SKID STRIP, Ctr. Floor Pan 3rd. Seat Back Supt.	R,W	—	—	—	—	—	—	—	2	2251 868
	SCREW	R,W	—	—	—	—	—	—	—	6	9414 732
23-04-229	COVER, Spare Tire	V,B,L	1	1	1	—	1	—	—	—	2419 361
		B	—	—	—	1	—	—	—	—	2787 857
	Comp., Dark Blue	R,W	—	—	—	—	—	1	1	—	4323 EB7
	Dark, Yellow Green	R,W	—	—	—	—	—	1	1	—	4323 EF8
	Tan	R,W	—	—	—	—	—	1	1	—	4323 ET4
	Black	R,W	—	—	—	—	—	1	1	—	4323 DX9
23-04-241	HOUSING, Qtr. Pnl. Fuel Filler	P	—	—	—	—	—	1	1	—	2894 502
		D	—	—	—	—	—	1	1	—	2894 504
		C	—	—	—	—	—	1	1	—	2894 506
23-04-245	BRACKET, Spare Tire Cover Mtg.	R,W	—	—	—	—	—	2	2	—	2877 185
23-05-0 BODY HOLD-DOWN											
23-05-1	BOLT, Frame to Body Attaching	Sta. 2 P,D,C,Y	2	2	2	—	2	2	2	2	2461 684

TYPE LETTERS Indicates	B - Barracuda	V - Valiant L - Dart	R - Belvedere W - Coronet	P - Plymouth D - Dodge	C - Chrysler Y - Imperial
NUMERALS INDICATE:	21 - 2 DR. SED. 23 - 2 DR. H.T.	27 - CONV. CPE. 29 - FAST BACK	41 - 4 DR. SED. 43 - 4 DR. H.T.	45 - 6 PASS. STA. WGN. 46 - 9 PASS. STA. WGN.	

AR Indicates use as required.

Indicates parts not listed in any previous parts book

Numerals in parentheses () refer to notes.

★ Indicates change or addition.

Printed in U.S.A.

January 1971

Right and left part numbers are on same line, first number is right, second number is left.

CODE	PART NAME	MODEL CODES	SEE BOTTOM NOTE								PART NUMBER	
			21	23	27	29	41	43	45	46		
23-06-0 GLOVE BOX												
23-06-4	BOX, Inst. Pnl. Glove											
		Folded	V,B,L	1	1	1	1	1	—	—	—	2889 773
		Folded	R,W	1	1	1	1	1	—	1	1	2927 940
		Folded, with A/Cond.	P,D	1	1	1	—	1	1	1	1	2927 441
		Folded, w/o A/Cond.	P,D	1	1	1	—	1	1	1	1	2927 444
		Folded, Upr.	C,Y	—	1	1	—	1	1	1	1	2927 906
		Folded, Lwr	C,Y	—	1	1	—	1	1	1	1	2927 905
	SCREW	All	All	AR	AR	AR	AR	AR	AR	AR	AR	9420 813
23-06-10	DOOR, Inst. Pnl. Glove Box											
	Inner and Outer Pnls., Prime	V-L,B,L	1	1	1	1	1	—	—	—	—	2889 638
	Inner and Outer Pnls., w/SPACER	V-H	1	—	—	—	1	—	—	—	—	2857 130
	(NOTE: For R,W Models See Code 23-84-3)											
	Inner and Outer Pnls.	P,D	1	1	1	—	1	1	1	1	1	2927 435
	Inner, Paint	C-E,C-L, C-H,C-P	—	1	1	—	1	1	1	1	1	2927 740
	Inner, Paint	Y	—	1	—	—	1	1	—	—	—	2927 742
	Outer	C-E,C-L	—	1	1	—	1	1	—	—	—	2927 150
	Newport	C-E,C-L	—	1	1	—	1	1	—	—	—	2927923
	Blue	C-M	—	1	1	—	—	1	—	—	—	4282 EB9
	Green	C-M	—	1	1	—	—	1	—	—	—	4282 EF8
	Black	C-M	—	1	1	—	—	1	—	—	—	4282 EX9
	Gold	C-M	—	1	1	—	—	1	—	—	—	4282 EY8
	Briar	C-M	—	1	1	—	—	1	—	—	—	4282 EE9
	Tan	C-M	—	1	1	—	—	1	—	—	—	4282 ET8
	Outer	Y	—	1	—	—	1	1	—	—	—	2927 876
	PANEL, w/INSERT, Glove Box Door											
	Outer, New Yorker	C-H, C-P	—	1	1	—	1	1	1	1	1	2927 779
23-06-13	ARM, Glove Box Door Hge. Check	P,D	1	1	1	—	1	1	1	1	1	2927 296
23-06-14	BUMPER, Inst. Pnl. to Glove Box											
	Door	V,B,L	2	2	2	2	2	—	—	—	—	2080 201
	Door, Check Arm	P,D	1	1	1	—	1	1	1	1	1	1943 547
	Door	C,Y	—	2	2	—	2	2	2	2	2	1707 384
	BUMPER, Inst. Pnl. Glove Box											
	Door	P,D	2	2	2	—	2	2	2	2	2	729 152
	BUMPER, Glove Box Door Hge., Stop											
	Round Type, 7/16" x 1"	V,B,L	AR	AR	AR	AR	AR	—	—	—	—	2822 617
	Oblong Type, 3/8" x 1/2"	C,Y	—	2	2	—	2	2	2	2	2	2927 803
23-06-15	LATCH, w/RETAINER, Glove Box Door											
	w/o Glove Box Lock	V,B,L	1	1	—	1	1	—	—	—	—	2080 736
	CATCH, Glove Box Door Lock	V,B,L	1	1	1	1	1	—	—	—	—	2889 766
		R,W	1	1	1	1	1	—	1	1	1	2857 100
		P,D	1	1	1	1	1	1	1	1	1	2927 883
	SCREW	V,B,L	AR	AR	AR	AR	AR	—	—	—	—	9416 049
	SCREW	P,D	AR	AR	AR	—	AR	AR	AR	AR	AR	9415 921
23-06-16	STRIKER, Glove Box Door											
		R,W	1	1	1	1	1	—	1	1	1	2927 764
		C,Y	—	1	1	—	1	1	1	1	1	2927 764
23-06-17	FINISH PLATE, Inst. Pnl. Glove Box Door											
	w/o Rallye Inst. Pnl.	B	—	1	1	1	—	—	—	—	—	2822 370
	w/Rallye Inst. Pnl.	B	—	1	1	1	—	—	—	—	—	2984 620
		L-H,L-P, L-S	—	1	1	—	1	—	—	—	—	2889 444
23-06-21	HINGE, Glove Box Door											
	Except W-M, w/o Rallye Inst. Pnl.	V,B,L	1	1	1	1	1	—	—	—	—	2889 452
	w/Rallye Inst. Pnl.	R,W	1	1	1	—	1	—	1	1	1	2822 818
		W-M,W-5	1	1	1	—	—	—	—	—	—	2927 609

TYPE LETTERS Indicates	B - Barracuda	V - Valiant L - Dart	R - Belvedere W - Coronet	P - Plymouth D - Dodge	C - Chrysler Y - Imperial
NUMERALS INDICATE:	21 - 2 DR. SED. 23 - 2 DR. H.T.	27 - CONV. CPE. 29 - FAST BACK	41 - 4 DR. SED. 43 - 4 DR. H.T.	45 - 6 PASS. STA. WGN. 46 - 9 PASS. STA. WGN.	

AR Indicates use as required. Numerals in parentheses () refer to notes. Printed in U.S.A.
 # Indicates parts not listed in any previous parts book. ★ Indicates change or addition. January 1971

Right and left part numbers are on same line, first number is right, second number is left.

CODE	PART NAME	MODEL CODES	SEE BOTTOM NOTE								PART NUMBER
			21	23	27	29	41	43	45	46	
23-06-0 GLOVE BOX Cont'd.											
23-06-21	HINGE Cont'd. w/Rallye Inst. Pnl.	W	—	—	—	1	—	—	—	—	2927 609
		P,D	1	1	1	1	1	1	1	1	2927 437
		C,Y	—	2	2	—	2	2	2	2	2927 805
23-06-22	SPRING, Inst. Pnl. Glove Box Door Hge. Pivot	V,B,L	2	2	2	2	2	—	—	—	2889 457
	SPRING, Inst. Pnl. Glove Box Door Hinge	C,Y	—	1	1	—	1	1	1	1	2984 545
23-06-28	CYLINDER and KEY PACKAGE, Glove Box Door Lock	V,B,L	1	1	1	1	1	—	—	—	2999 880
		R,W,P,D	1	1	1	1	1	1	1	1	2935 900
	w/o Univ. Keys, w/o Rear Compt. Lock	R,W,P,D-L	—	—	—	—	—	—	1	1	2935 900
	w/Deck Lid Latch Release Knob	R-T, W-T, P-T,D-T	—	—	—	—	1	—	—	—	2935 900
		C,Y	—	1	1	—	1	1	1	1	2945 730
23-06-46	CABLE, Glove Box Door SCREW	V,B,L	1	1	1	1	1	—	—	—	2927 281
		V,B,L	1	1	1	1	1	—	—	—	9414 711
23-06-53	NAME PLATE, Glove Box Door										
	"Chrysler"	C-E,C-L	—	1	1	—	1	1	—	—	2927 875
	"Town and Country"	C	—	—	—	—	—	—	1	1	2927 744
	"Le Baron"	Y	—	1	—	—	—	1	—	—	2927 738
	"Crown"	Y	—	1	—	—	1	1	—	—	2927 739
23-08-0 BUMPERS AND STRIKERS											
23-08-12	WEDGE, Door										
	Body Half	B,L,R,W	—	—	2	—	—	—	—	—	2520 004
	Body Half	P,D,C	—	—	2	—	—	—	—	—	2520 004
	BUMPER, Door	All	AR	AR	AR	AR	AR	AR	AR	AR	2255 231
	STRIKER, Frt. Door Sliding Wedge										
		All	—	—	2	—	—	—	—	—	989 513
	SCREW	All	—	—	4	—	—	—	—	—	9414 742
23-08-54	SPACER, Door Latch Striker										
	Thick	R,W	AR	AR	AR	AR	AR	—	AR	AR	2862 554
	Thin	R,W	AR	AR	AR	AR	AR	—	AR	AR	2862 555
23-08-60	STRIKER, Door Latch										
	Frnt.	V,B,L	2	2	2	2	2	—	—	—	2999 721
	Frnt.	P,D,C,Y	2	2	2	2	—	—	—	—	2999 721
	Frnt.	P,D,C,Y	—	—	—	—	2	2	2	2	2999 672
	Rr.	V,L,P, D,C,Y	—	—	—	—	2	2	2	2	2999 721
		R,W	AR	AR	AR	AR	AR	—	AR	AR	2862 426-7
	WASHER	V,B,L	AR	AR	AR	AR	AR	—	—	—	6026 361
	SCREW and WASHER	R,W	AR	AR	AR	AR	AR	—	AR	AR	6025 134
	WASHER	P,D,C,Y	AR	AR	AR	—	AR	AR	AR	AR	6026 361
23-08-75	TAPPED PLATE, Door Lock Striker on Qtr. Pnl.										
		R,W	2	2	2	2	2	—	2	2	2218 956
		P,D,C,Y	2	2	2	2	2	2	2	2	2893 939
	TAPPED PLATE, Ctr. Pillar Frnt. Door Lock Striker										
		R,W	—	—	—	—	2	—	2	2	2218 956
		P,D,C,Y	—	—	—	—	2	2	2	2	2893 939
23-09-0 GLASS CHANNELS											
23-09-9	FRAME, w/CAP. Qtr. Wdo. Glass Lwr.										
		B,L	—	1	—	—	—	—	—	—	2841 170-1
		B	—	—	—	1	—	—	—	—	2839 228-9
		R,W	—	1	—	1	—	—	—	—	2840 944-5
	SCREW and WASHER	B,L,R,W	—	AR	—	AR	—	—	—	—	6023 553

TYPE LETTERS Indicates

B - Barracuda

V - Valiant
L - DartR - Belvedere
W - CoronetP - Plymouth
D - DodgeC - Chrysler
Y - Imperial

NUMERALS INDICATE:

21 - 2 DR. SED.

23 - 2 DR. H.T.

27 - CONV. CPE.

29 - FAST BACK

41 - 4 DR. SED.

43 - 4 DR. H.T.

45 - 6 PASS. STA. WGN.

46 - 9 PASS. STA. WGN.

AR Indicates use as required.

Indicates parts not listed in any previous parts book

Numerals in parentheses () refer to notes.

★ Indicates change or addition.

Printed in U.S.A.

January 1971

Right and left part numbers are on same line, first number is right, second number is left.

CODE	PART NAME	MODEL CODES	SEE BOTTOM NOTE								PART NUMBER
			21	23	27	29	41	43	45	46	
23-14-0 DOOR REGULATORS AND REMOTE CONTROL HANDLES Cont'd.											
23-14-24	SPACER Cont'd.	D-L,D-M	AR	AR	AR	—	AR	AR	AR	AR	2945 511
		D-H, C-E,									
		C-L,C-P	—	AR	AR	—	AR	AR	AR	AR	2945 512
		C-M,C-H	—	AR	AR	—	AR	AR	—	—	2945 511
	SPACER, Qtr. Manual Wdo. Reg. Handle	V,B,L	2	2	—	2	—	—	—	—	2935 232
		B,L	—	—	2	—	—	—	—	—	2935 231
		R-W	2	2	2	2	—	—	—	—	2935 231
		P,D-L,									
		D-M	2	2	2	2	—	—	—	—	2945 511
		C-M,C-H	—	2	2	—	—	—	—	—	2945 511
		D-H,C-E,									
		C-L	—	2	2	—	—	—	—	—	2945 512
23-14-27	SPACER, Frt. Door Manual Vent Wing Reg. HANDLE, Door Latch Remote Control	P,D,C,Y	AR	AR	AR	AR	AR	AR	AR	AR	2945 511
		V,B,L,R,									
		W	AR	AR	AR	AR	AR	—	AR	AR	2935 214-5
		P,D,C	AR	AR	AR	AR	AR	AR	AR	AR	2935 294-5
		Y	—	AR	—	—	AR	AR	—	—	2999 524-5
	SCREW	All	AR	AR	AR	AR	AR	AR	AR	AR	6027 201
23-14-35	PAD, Rear Door Inside Pull Handle to Door	R-T,W-T	—	—	—	—	2	—	—	—	2664 346
23-14-53	HANDLE PACKAGE, Frt. Door Vent Wing	V,B,L	1	1	1	1	1	—	—	—	2809 940-1
		R,W	—	—	1	—	1	—	1	1	2809 940-1
		R,W	1	1	—	1	—	—	—	—	2933 204-5
	SPRING WASHER	V,B,L,R,									
		W	2	2	2	2	2	—	2	2	6023 647
	PIN	V,B,L,R,									
		W	2	2	2	2	2	—	2	2	9409 633
	HANDLE, Frt. Door Manual Vent Wing Regulator	P,D,C,									
		Y	2	2	2	2	2	2	2	2	2999 646
	SCREW	P,D,C,									
		Y	2	2	2	AR	2	2	2	2	6027 221
23-14-70	HANDLE, Qtr. Wdo. Glass (also see code 23-64-181)	R,W	2	—	—	—	—	—	—	—	2842 538
23-14-79	HANDLE, Qtr. Manual Wdo. Regulator w/o Pwr. Wdo. w/o Pwr. Wdo.	V,B,L	2	2	2	2	—	—	—	—	2862 167
		R,W	2	2	2	2	—	—	—	—	2862 167
		P,D,C	2	2	2	2	—	—	—	—	2999 644
	SCREW	V,B,L,R,									
		W	2	2	2	2	—	—	—	—	6027 221
23-14-80	RETAINER, Qtr. Wdo. Glass Handle to Link.	R,W	2	—	—	—	—	—	—	—	2841 446
23-14-81	BUMPER, Qtr. Wdo. Glass Handle	R,W	2	—	—	—	—	—	—	—	2842 537
23-14-147	GASKET or SEAL, Door Outside Handle										
	Frt., Frt.	All	2	2	2	2	2	2	2	2	2945 808
	Frt., Rr.	V,B, L,R,									
		W	2	2	2	2	2	—	2	2	2935 182
	Frt., Rr.	P,D	2	2	2	2	2	2	2	2	2935 182
	Frt., Rear	C,Y	—	2	2	—	2	2	2	2	3454 336
	Rear, Frt.	All	—	—	—	—	2	2	2	2	2945 808
	RR., Rear	V,L,R,W	—	—	—	—	2	—	2	2	2935 182
	Rr., Rr	P,D	—	—	—	—	2	2	2	2	2935 182
	Rear, Rear	C,Y	—	—	—	—	2	2	2	2	3454 336
23-14-153	BUMPER, Door Pull Handle	Y	—	AR	—	—	AR	AR	—	—	2657 497

23-15-0 DOOR HINGE

23-15-1 HINGE, Door Upr.

Frt.	V,B,L	1	1	1	1	1	—	—	—	2583 796-7
Frt., Rt.	R,W	1	1	1	1	1	—	1	1	2298 649

TYPE LETTERS Indicates

B - Barracuda

V - Valiant

L - Dart

R - Belvedere

W - Coronet

P - Plymouth

D - Dodge

C - Chrysler

Y - Imperial

NUMERALS INDICATE:

21 - 2 DR. SED.

23 - 2 DR. H.T.

27 - CONV. CPE.

29 - FAST BACK

41 - 4 DR. SED.

43 - 4 DR. H.T.

45 - 6 PASS. STA. WGN.

46 - 9 PASS. STA. WGN.

AR Indicates use as required.

Indicates parts not listed in any previous parts book

Numerals in parentheses () refer to notes.

★ Indicates change or addition.

Printed in U.S.A.

January 1971

Right and left part numbers are on same line, first number is right, second number is left.

CODE	PART NAME	MODEL CODES	SEE BOTTOM NOTE						PART NUMBER	
			21	23	27	29	41	43		45
23-17-0 LOCK CYLINDER AND KEYS Cont'd.										
23-17-2	CYLINDER Cont'd.									
	CYLINDER and KEY PACKAGE, Door, Ignition, Glove Box and Deck Lid Except P-M, P-H	R,W,D P	1	1	1	—	1	1	—	3419 074 2999 924
	CYLINDER and KEY PACKAGE, Door, Ignition and Tailgate									
	Manual, w/o Univ. Key	R,W	—	—	—	—	—	—	1	2935 820
	Elect, w/o Univ. Key	R,W,P,D,C	—	—	—	—	—	—	1	2935 821
	CYLINDER and KEY PACKAGE, Door, Ignition, Glove Box and Tailgate	R,W P,D	—	—	—	—	—	—	1	2935 847 2999 016
23-17-4	CYLINDER and KEY PACKAGE, Deck Lid and Glove Box	V,B,L R,W P	1	1	1	1	1	—	—	3419 077 3419 076 3419 076
	Except P-M, P-H	P-M,P-H D C,Y	—	1	1	1	1	1	—	2945 733 3419 076 2935 840
	CYLINDER and KEY PACKAGE, Deck Lid, Glove Box and Console	CANADA CANADA CANADA	P D C	—	1	1	1	—	—	2935 837 2935 839 2935 841
	CYLINDER and Key PACKAGE, Deck Lid w/Release Knob w/Release Knob	R-T,W-T P-T,D-T	—	—	—	—	1	—	—	3419 075 3419 075
23-17-9	GASKET, Deck Lid Lock Cyl.	V,B,L,R W P	1	1	1	1	1	—	—	2583 860 2583 860
	Except P-M, P-H									
23-17-10	RETAINER, Deck Lid Lock Cyl.	V,B,L,R W P-M,P-H P,D,C Y	1	1	1	1	1	—	—	2583 377 2802 644 2583 377 2945 400
	Except P-M, P-H									
23-17-11	SPRING, Deck Lid Lock Cyl. Ret.									
23-17-19	MEDALLION, Deck Lid Lock Cyl. (1)									
23-17-27	GASKET, Frt. Door Lock Cyl.	All	2	2	2	2	2	2	2	2583 860
23-17-28	RETAINER, Frt. Door Lock Cyl. Attaching	All	2	2	2	2	2	2	2	2583 377
23-17-38	CYLINDER and KEY PACKAGE, Floor Console Lock	R,W,P,D C	1	1	1	1	—	1	—	2935 917
23-17-51	GASKET, Elect. Tailgate Lock Cyl.	R,W P,D,C	—	—	—	—	—	—	1	2583 860 2583 860
23-17-52	RETAINER, Elect. Tailgate Lock Cyl. Attaching	R,W P,D,C P,D,C	—	—	—	—	—	—	1	2802 644 2583 377 2999 017
	Approx. 1 13/32" x 1 1/4" Approx. 1 1/8" x 1 5/32"									
23-17-72	CYLINDER and KEY PACKAGE, Rear Floor Pan Cover Pnl. Lock	R,W,P,D, C	—	—	—	—	—	—	1	2935 916
	CYLINDER and KEY PACKAGE, 3 rd. Seat Back Lock	C	—	—	—	—	—	—	1	2935 916
	(parts listed below, not contained in pkgs.) SCREW and LOCKWASHER	R,W,P,D, C	—	—	—	—	—	—	1	6026 336
	NUT	R,W,P,D, C	—	—	—	—	—	—	1	6025 196
	WASHER	R,W,P,D, C	—	—	—	—	—	—	1	121 753

TYPE LETTERS Indicates	B - Barracuda	V - Valiant L - Dart	R - Belvedere W - Coronet	P - Plymouth D - Dodge	C - Chrysler Y - Imperial
NUMERALS INDICATE:	21 - 2 DR. SED. 23 - 2 DR. H.T.	27 - CONV. CPE. 29 - FAST BACK	41 - 4 DR. SED. 43 - 4 DR. H.T.	45 - 6 PASS. STA. WGN. 46 - 9 PASS. STA. WGN.	

AR Indicates use as required.

Indicates parts not listed in any previous parts book

Numerals in parentheses () refer to notes.

★ Indicates change or addition.

Printed in U.S.A.
January 1971

Right and left part numbers are on same line, first number is right, second number is left.

CODE	PART NAME	MODEL CODES	SEE BOTTOM NOTE								PART NUMBER
			21	23	27	29	41	43	45	46	

23-17-0 LOCK CYLINDER AND KEYS Cont'd.

23-17-72	CYLINDER Cont'd. SPRING WASHER	R,W, P,D, C	—	—	—	—	—	—	1	1	6025 198
23-17-74	LEVER, Rear Floor Pan Cover Pnl. Lock Cyl.	R,W P,D,C	—	—	—	—	—	—	1	—	2583 620 2520 621
	LEVER, 3rd. Seat Back Release Handle Lock Cyl.	R,W P,D-L D-H,C	—	—	—	—	—	—	—	1	2583 620 2520 621

23-18-0 DOOR LOCKS AND REMOTE CONTROLS

23-18-5	LATCH, Door											
		Frnt., Rt.	V,B,L	1	1	1	1	—	—	—	—	2935 282
		Lt.	V,B,L	1	1	1	1	—	—	—	—	2999 735
		Frnt., Rt.	V,L	—	—	—	—	1	—	—	—	2935 078
		Lt.	V,L	—	—	—	—	1	—	—	—	2999 737
		Frnt., Rt.	R,W	1	1	1	1	—	—	—	—	2945 780
		Lt.	R,W	1	1	1	1	—	—	—	—	2999 759
		Frnt., Rt.	R,W	—	—	—	—	1	—	1	1	2935 004
		Lt.	R,W	—	—	—	—	1	—	1	1	2999 761
		Frnt., Rt.	P,D,C,Y	1	1	1	1	—	—	—	—	2935 282
		Lt.	P,D,C,Y	1	1	1	1	—	—	—	—	2999 735
		Frnt., Rt.	P,D,C,Y	—	—	—	—	1	1	1	1	2935 078
		Lt.	P,D,C,Y	—	—	—	—	1	1	1	1	2999 737
		Rr.	V,L	—	—	—	—	1	—	—	—	2765 610-1
		Rr.	R,W	—	—	—	—	1	—	1	1	2935 040-1
		Rr.	P,D,C,Y	—	—	—	—	1	1	1	1	2935 284-5
23-18-11	LINK, w/SLEEVE, Door Latch Remote Control											
		Frnt.	V,B,L	1	1	1	1	—	—	—	—	2862 892-3
		Frnt.	V,L	—	—	—	—	1	—	—	—	2945 082-3
		Frnt., Rt.	R,W	1	1	1	1	—	—	—	—	2583 720
		Frnt., Lt.	R,W	1	1	1	1	—	—	—	—	3454 463
		Frnt.	R,W	—	—	—	—	2	—	2	2	2583 721
		Frnt.	P,D,C	1	1	1	1	—	—	—	—	2935 652-3
		Frnt.	P,D,C	—	—	—	—	1	1	1	1	2935 656-7
		Frnt.	Y	—	1	—	—	—	—	—	—	2999 528-9
		Frnt.	Y	—	—	—	—	1	1	—	—	2999 532-3
		Rr.	V,L	—	—	—	—	1	—	—	—	2802 098-9
		Rr.	R,W	—	—	—	—	1	—	1	1	2935 066-7
	LINK, Rear Door Latch Remote Control											
			V,L	—	—	—	—	1	—	—	—	2802 096-7
			P,D	—	—	—	—	1	1	1	1	2935 114-5
			C	—	—	—	—	—	1	1	—	2935 114-5
			C	—	—	—	—	1	1	—	—	2945 270-1
			Y	—	—	—	—	1	1	—	—	2999 534-5
23-18-13	REMOTE CONTROL, Door Latch	V,B,L,R, W										
		P,D,C	AR	AR	AR	AR	AR	AR	—	AR	AR	2945 578-9
		Y	—	AR	—	—	AR	AR	—	—	—	2945 578-9
		Y	—	AR	—	—	AR	AR	—	—	—	2999 506-7
23-18-20	LINK, Frnt. Door Latch to Outside Handle	V,B,L	2	2	2	2	—	—	—	—	2765 771	
		V,L	—	—	—	—	2	—	—	—	2802 114	
		R,W	2	2	2	2	2	—	2	2	2583 978	
		P,D	2	2	2	2	—	—	—	—	2935 272	
		P,D	—	—	—	—	1	1	1	1	2935 270-1	
		C,Y	—	2	2	—	—	—	—	—	2935 264	
		C,Y	—	—	—	—	1	1	1	1	2935 262-3	
	LINK, Rear Door Latch to Outside Handle											

TYPE LETTERS Indicates	B - Barracuda	V - Valiant L - Dart	R - Belvedere W - Coronet	P - Plymouth D - Dodge	C - Chrysler Y - Imperial
NUMERALS INDICATE:	21 - 2 DR. SED. 23 - 2 DR. H.T.	27 - CONV. CPE. 29 - FAST BACK	41 - 4 DR. SED. 43 - 4 DR. H.T.	45 - 6 PASS. STA. WGN. 46 - 9 PASS. STA. WGN.	

AR Indicates use as required. Numerals in parentheses () refer to notes. Printed in U.S.A.
 # Indicates parts not listed in any previous parts book. ★ Indicates change or addition. January 1971

Right and left part numbers are on same line, first number is right, second number is left.

CODE	PART NAME	MODEL CODES	SEE BOTTOM NOTE								PART NUMBER
			21	23	27	29	41	43	45	46	
23-18-0 DOOR LOCKS AND REMOTE CONTROLS Cont'd.											
23-18-20	LINK Cont'd.	R,W	—	—	—	—	1	—	1	1	2862 301
		P	—	—	—	—	2	2	2	2	2935 105
		D	—	—	—	—	2	2	2	2	2999 964
		C	—	—	—	—	—	—	2	2	3454 002
		C,Y	—	—	—	—	2	2	—	—	2945 428
23-18-21	SPRING, Rear Door Latch Remote Control Link	P,D,C	—	—	—	—	2	2	2	2	2935 118
		Y	—	—	—	—	2	2	—	—	2935 118
23-18-24	SPRING, Rear Door Latch Remote Actuator	V,L	—	—	—	—	2	—	—	—	2802 116
23-18-25	CONTROL, w/LINK, Door Key Cyl. Locking	W	—	—	—	1	—	—	—	—	2862 240-1
		V,B,L	1	1	1	1	—	—	—	—	2945 236-7
	UP to Type	V,B,L	1	1	1	1	—	—	—	—	3454 234-5
	AFTER Type	R,W	1	1	—	—	—	—	—	—	2945 246-7
		W	—	—	—	1	—	—	—	—	2945 736-7
		P,D,C,Y	1	1	1	1	—	—	—	—	2945 254-5
	W/O Pwr.	P,D,C	1	1	1	1	—	—	—	—	2999 660
	Elect., W/Pwr Door Locks, Rt.	V,L	—	—	—	—	1	—	—	—	2802 104-5
	CONTROL, w/LINK, Rear Door Latch Locking										
		R-W	—	—	—	—	1	—	1	1	2935 062-3
		P,D,C,Y	—	—	—	—	1	1	1	1	2935 674-5
23-18-26	ROD, Frt. Door Latch Locking Control Push	V,L	—	—	—	—	1	—	—	—	2862 774-5
		R,W	2	2	2	—	—	—	—	—	2945 250
		R,W	—	—	—	—	1	—	1	1	2862 744-5
		W	—	—	—	2	—	—	—	—	2945 734
		P,D,C,Y	—	—	—	—	1	1	1	1	2935 662-3
	w/o Pwr. Door Locks										
	ROD, Frt. Door Elect. Latch Leverpush										
	W/Pwr. Door Locks, Rt.	P,D,C	1	1	1	1	—	—	—	—	2999 511
	ROD, Frt. Door Elect. Latch Cont. Push										
	W/Pwr. Door Locks Lt.	P,D,C	1	1	1	1	—	—	—	—	2999 779
	ROD, Frt. Door Elect. Latch Locking Push										
	w/Pwr. Door Locks Lt.	P,D,C,Y	—	—	—	—	1	1	1	1	2999 777
	(NOTE: See 23-18-125										
	ROD, Rear Door Latch Locking Control Push	P,D,C,Y	—	—	—	—	2	2	2	2	2935 676
	LINK, Frt. Door Lock Key Cyl.	V,B,L	1	1	1	1	—	—	—	—	2765 778-9
		V,L	—	—	—	—	1	—	—	—	2802 106-7
		R,W	1	1	1	—	—	—	—	—	2862 210-1
		R,W	—	—	—	—	1	—	1	1	2583 980-1
	LINK, Frt. Door Lock Key Cyl. to Latch	P,D	1	1	1	1	—	—	—	—	2935 456-7
		P,D	—	—	—	—	1	1	1	1	2935 458-9
		C,Y	—	1	1	—	—	—	—	—	2935 460-1
		C,Y	—	—	—	—	1	1	1	1	2935 462-3
		P,D,C,Y	2	2	2	2	—	—	—	—	2945 258
	LINK, Frt. Door Latch Locking Control										
	LINK w/SLEEVE, Rear Door Latch										
	Locking Control	P,D	—	—	—	—	2	2	2	2	2935 678
		C	—	—	—	—	—	—	2	2	2935 678
		C,Y	—	—	—	—	2	2	—	—	2945 266
	LINK, w/SLEEVE, Rear Door Elect. Lock	P,D	—	—	—	—	1	1	1	1	3454 596-7
		C	—	—	—	—	—	—	1	1	3454 596-7
23-18-27	NOTE: See 23-18-107 - LINK Only - 3454 488-9										
23-18-27	PACKAGE, Door Lock Locking Control Knob Chrome	All	AR	AR	AR	AR	AR	AR	AR	AR	3419 209
23-18-29	CLIP, Frt. Door Latch Remote Control	P,D,C,Y	2	2	2	2	—	—	—	—	2520 565
	CLIP, Frt. Door Elect. Latch Solenoid Link to Lock Locking Lever	P,D,C	2	2	2	2	2	2	2	2	2945 108-9
	CLIP, Frt. Door Elect. Lock Solenoid Link to Latch	P,D,C,Y	1	1	1	1	1	1	1	1	2945 108-9

TYPE LETTERS Indicates

B - Barracuda

V - Valiant
L - DartR - Belvedere
W - CoronetP - Plymouth
D - DodgeC - Chrysler
Y - Imperial

NUMERALS INDICATE:

21 - 2 DR. SED.

23 - 2 DR. H.T.

27 - CONV. CPE.

29 - FAST BACK

41 - 4 DR. SED.

43 - 4 DR. H.T.

45 - 6 PASS. STA. WGN.

46 - 9 PASS. STA. WGN.

AR Indicates use as required.

Indicates parts not listed in any previous parts book

Numerals in parentheses () refer to notes.

★ Indicates change or addition.

Printed in U.S.A.

January 1971

Right and left part numbers are on same line, first number is right, second number is left.

CODE	PART NAME	MODEL CODES	SEE BOTTOM NOTE								PART NUMBER
			21	23	27	29	41	43	45	46	
23-18-0 DOOR LOCKS AND REMOTE CONTROLS Cont'd.											
23-18-29	CLIP Cont'd.										
	CLIP, Frt. Door Latch Remote Control Link to Latch	V,B,L,R, W	2	2	2	2	—	—	—	—	
		P,D,C,Y	—	—	—	—	2	2	2	2	
	CLIP, Frt. Door Latch Remote Control Link Inside Pnl.	V,L	—	—	—	—	2	—	—	—	
		V,B,L	2	2	2	2	—	—	—	—	
		R,W	2	2	2	2	2	—	2	2	
		P,D,C,Y	2	2	2	2	2	2	2	2	
	CLIP, Frt. Door Latch Locking Control Push Rod	V,B,L	2	2	2	2	2	—	—	—	
	CLIP, Frt. Door Latch Key Cyl. Link	V,B,L	2	2	2	2	2	—	—	—	
		P,D,C,Y	2	2	2	2	2	2	2	2	
	CLIP, Door Latch Remote Control Handle Lever	All	AR	AR	AR	AR	AR	AR	AR	AR	
	CLIP, Frt. Door Latch Locking Push Rod Retainer										
	Black and Natural	V,B,L	2	2	2	2	2	—	—	—	
	Black and Natural	R,W	—	—	—	—	2	—	2	2	
	Black and Natural	P,D,C,Y	2	2	2	2	2	2	2	2	
	Red, Rt.	V,L	—	—	—	—	1	—	—	—	
	Red, Rt.	P,D,C,Y	—	—	—	—	1	1	1	1	
	Green, Lt.	V,L	—	—	—	—	1	—	—	—	
	Green, Lt.	P,D,C,Y	—	—	—	—	1	1	1	1	
		P,D,C,Y	1	1	1	1	1	1	1	1	
	CLIP, Frt. Door Latch Outside Handle Link	All	4	4	4	4	4	4	4	4	
	CLIP, Frt. Door Latch Locking Lever	R,W	2	2	2	2	2	—	2	2	
	CLIP, Rear Door Elect. Latch Solenoid Link to Actuator	P,D,C,Y	—	—	—	—	1	1	1	1	
	CLIP, Rear Door Latch Remote Control Link to Latch	V,L,R,W	—	—	—	—	2	—	2	2	
	CLIP, Rear Door Latch Outside Handle Link	R,W	—	—	—	—	4	—	4	4	
	CLIP, Rear Door Latch Locking Locking Control Link Inside Pnl.	V,L	—	—	—	—	2	—	—	—	
		R,W	—	—	—	—	2	—	2	2	
		P,D,C,Y	—	—	—	—	2	2	2	2	
		P,D,C,Y	—	—	—	—	2	2	2	2	
	CLIP, Rear Door Latch Key Cyl. Link	P,D,C,Y	—	—	—	—	2	2	2	2	
	CLIP, Rear Door Latch Remote Control Lock	P,D,C,Y	—	—	—	—	4	4	4	4	
	CLIP, Rear Door Latch Shift Lever Actuator to Link Ret	R,W,P,D, C,Y	—	—	—	—	1	1	1	1	
	CLIP, Rear Door Latch Locking Control Push Rod Retaining	V,L,P,D, C,Y	—	—	—	—	1	1	1	1	
23-18-37	SEAL, Door Latch Remote Control Inside Pnl.	All	AR	AR	AR	AR	AR	AR	AR	AR	
	SEAL, Door Latch Remote Control Water, Frt. and Rear	Y	—	AR	—	—	AR	AR	—	—	
	SEAL, Door Latch Remote Control Air	P,D,C	AR	AR	AR	AR	AR	AR	AR	AR	
		Y	—	AR	—	—	AR	AR	—	—	
23-18-48	BUMPER, Door Latch Remote Control Handle Lever	V,B,L,R, W	AR	AR	AR	AR	AR	—	AR	AR	
		P,D,C	AR	AR	AR	AR	AR	AR	AR	AR	
		Y	—	AR	—	—	AR	AR	—	—	

TYPE LETTERS Indicates	B - Barracuda	V - Valiant L - Dart	R - Belvedere W - Coronet	P - Plymouth D - Dodge	C - Chrysler Y - Imperial
NUMERALS INDICATE:	21 - 2 DR. SED. 23 - 2 DR. H.T.	27 - CONV. CPE. 29 - FAST BACK	41 - 4 DR. SED. 43 - 4 DR. H.T.	45 - 6 PASS. STA. WGN. 46 - 9 PASS. STA. WGN.	

AR Indicates use as required. Numerals in parentheses () refer to notes. Printed in U.S.A.
 # Indicates parts not listed in any previous parts book. ★ Indicates change or addition. January 1971
 Right and left part numbers are on same line, first number is right, second number is left.

CODE	PART NAME	MODEL CODES	SEE BOTTOM NOTE								PART NUMBER
			21	23	27	29	41	43	45	46	
23-18-0 DOOR LOCKS AND REMOTE CONTROLS Cont'd.											
23-18-49	ESCUTCHEON, Door Latch Locking Control Knob	V,B,L	AR	AR	AR	AR	AR	—	—	—	2862 309
	4 Tab Type	R,W	AR	AR	AR	—	AR	—	AR	AR	2428 178
	2 Tab Type	W	—	—	—	2	—	—	—	—	2583 817
23-18-54	GROMMET, Door Trim Pal. Locking Knob Clear Plastic	P,D,C	AR	AR	AR	AR	AR	AR	AR	AR	2788 831
23-18-70	STRIP, w/NUT, Rear Door Remote Control Rod Anti-Rattle	R,W	—	—	—	—	2	—	2	2	2588 635
23-18-101	LEVER, Frt. Door Elect. Lock Switch Actuating RT.	P,D,C	—	—	—	—	1	1	1	1	2935 706
	P/NUT, Frt. Door Elect Lock Switch Actuating Lever to Switch Attaching	P,D,C,Y	—	—	—	—	2	2	2	2	6025 160
23-18-103	SWITCH, Elect. Frt. Door Lock Remote Button Actuated	P,D,C	2	2	2	—	2	2	2	2	2661 746
	SPACER	P,D,C	2	2	2	—	2	2	2	2	6027 350
23-18-104	SPRING, Elect. Door Lock Sw. Return	P,D,C	2	2	2	—	2	2	2	2	2661 118
23-18-105	WIRING, Elect. Door Lock	P,D,C	1	1	1	—	1	1	1	1	2926 175
	WIRING, Frt. Door Door Lock Switch and Solenoid CANADA	P,D,C	—	2	2	2	2	2	2	2	2926 700
23-18-106	RELAY, Elect. Door Lock	P,D,C,Y	1	1	1	—	1	1	1	1	2926 386
23-18-107	LINK, Door Elect. Latch Solenoid										
		Frt.	P,D,C,Y	2	2	2	2	—	—	—	2945 646
		Frt.	P,D,C,Y	—	—	—	—	2	2	2	2935 326
	Approx. 9 3/4" Long, Up to Type	Rear	P,D	—	—	—	—	1	1	1	2999 790-1
		Rear	C	—	—	—	—	—	—	1	2999 790-1
	Approx. 10 1/4" Long, After Type, w/o Sleeve	Rear	P,D	—	—	—	—	1	1	1	3454 488-9
		Rear	C	—	—	—	—	—	—	1	3454 488-9
	NOTE: See 23-18-26 - LINK w/SLEEVE-3454 596-7										
		Rr.	C,Y	—	—	—	—	1	1	—	2945 572-3
23-18-109	CLIP, Door Elect. Latch Solenoid Link Attaching										
		Frt., Rt.	P,D,C,Y	1	1	1	—	1	1	1	612 492
		Frt., Lt.	P,D,C,Y	1	1	1	—	1	1	1	629 792
		Rr., Rt.	P,D,C,Y	—	—	—	—	1	1	1	612 492
		Rr., Lt.	P,D,C,Y	—	—	—	—	1	1	1	629 792
23-18-115	SOLENOID, Door Elect. Latch										
		Frt.	P,D,C,Y	1	1	1	—	1	1	1	2520 832-3
	NUT		P,D,C,Y	AR	AR	AR	—	AR	AR	AR	6025 670
23-18-121	CONDUIT, Elect. Wdo. Lift and Door Lock Wiring	Frt.	P,D,C,Y	2	2	2	—	2	2	2	2926 371
	SCREW		P,D,C,Y	4	4	4	—	4	4	4	180 018
	(also see Part Type Code 23-41-167)										
23-18-124	BRACKET, Elect. Door Lock Switch										
		Frt. Rt.	P,D,C	—	—	—	—	1	1	1	2945 894
		Lt.	P,D,C	—	—	—	—	1	1	1	2945 895
		Frt., Lt.	P,D,C	1	1	1	1	—	—	—	2945 277
	(NOTE: See 23-18-25, CONTROL, w/LINK, Rt.)										
23-18-125	PUSH ROD, Frt. Door Elect. Lock Switch Actuating Rt.		P,D,C	—	—	—	—	1	1	1	2935 696
	(NOTE: See 23-18-26 ROD, Lt.)										
23-18-126	BOOT, Frt. Door Elect. Lock Switch		P,D,C	2	2	2	—	2	2	2	2661 572
23-19-0 DECK LID											
23-19-6	DECAL, Deck Lid Bird (1)										2934 074
23-19-8	LID, Deck		V	1	—	—	—	1	—	—	2859 428
			B	—	1	1	—	—	—	—	2859 432
			B	—	—	—	1	—	—	—	2859 432
TYPE LETTERS Indicates											
	B - Barracuda	V - Valiant	R - Belvedere	P - Plymouth	C - Chrysler						
		L - Dart	W - Coronet	D - Dodge	Y - Imperial						
NUMERALS INDICATE:											
	21 - 2 DR. SED.	27 - CONV. CPE.	41 - 4 DR. SED.	45 - 6 PASS. STA. WGN.							
	23 - 2 DR. H.T.	29 - FAST BACK	43 - 4 DR. H.T.	46 - 9 PASS. STA. WGN.							
AR Indicates use as required. Numerals in parentheses () refer to notes. Printed in U.S.A.											
# Indicates parts not listed in any previous parts book. ★ Indicates change or addition. January 1971											
Right and left part numbers are on same line, first number is right, second number is left.											

CODE	PART NAME	MODEL CODES	SEE BOTTOM NOTE						PART NUMBER	
			21	23	27	29	41	43		45
23-19-0 DECK LID Cont'd.										
23-19-8 LID Cont'd.										
		L	—	1	1	—	1	—	—	2934 727
		R	1	1	1	—	1	—	—	2934 036
		W	1	1	1	—	1	—	—	2934 040
		W	—	—	—	1	—	—	—	2859 146
		W-500	—	—	—	1	—	—	—	3412 154
		P	1	1	1	1	1	1	—	2859 825
		D	—	1	1	—	1	1	—	2859 828
		C	—	1	1	—	1	1	—	2859 769
		Y	—	1	—	—	1	1	—	2934 028
23-19-21	PLUG, Deck Lid Inner Pnl. Drain Hole Except Charger, 1/2" Dia.	All	2	2	2	2	2	2	—	2094 984
23-19-63	BUMPER, Deck Lid Inside Pnl.	V,B,L	2	2	2	2	2	—	—	2484 307
		R	2	2	2	—	2	—	—	2784 715
		W	2	2	2	—	2	—	—	2842 869
		W	—	—	—	2	—	—	—	2784 714
		P,D,C,Y	2	2	2	2	2	2	—	2842 869
23-19-68	GROMMET, Vacuum Deck Lid Latch Tube	P,D,C,Y	1	1	1	—	1	1	—	1370 460
	GROMMET, Vacuum Deck Lid Latch Release Switch Tube w/Pwr. Deck Lid Release	R,W	1	1	1	—	1	—	—	1886 101
		P,D,C,Y	1	1	1	—	1	1	—	1886 101
23-19-70	STRIKER, Deck Lid Latch	V,B,L	1	1	1	1	1	—	—	2244 149
		R	1	1	1	—	1	—	—	2244 149
		W	1	1	1	1	1	—	—	1867 661
		P,D,C,Y	1	1	1	1	1	1	—	2244 149
23-19-74	SUPPORT, w/NUT, Deck Opng. Lwr. Pnl. Lock Catch	V	1	—	—	—	1	—	—	2604 126
		B	—	1	1	1	—	—	—	2604 128
		L	—	1	1	—	1	—	—	2784 228
		R	1	1	1	—	1	—	—	2840 971
		W	1	1	1	—	1	—	—	2902 625
		W	—	—	—	1	—	—	—	2902 969
	SUPPORT, Deck Opng. Lwr. Pnl. Lock Striker	C	—	1	1	—	1	1	—	2900 107
		Y	—	1	—	—	1	1	—	2902 755
23-19-79	TANK, Vacuum Deck Lid Latch Reservoir w/Pwr. Deck Lid Release	D-L	—	1	1	—	1	1	—	2945 412
		D-M,D-H	—	1	1	—	1	1	—	2945 412
	w/Pwr. Deck Lid Release	C	—	1	1	—	1	1	—	2945 412
	w/Pwr. Deck Lid Release	Y	—	1	—	—	1	1	—	2999 130
23-19-82	SUPPORT, Deck Lid Hinge									
	w/PIN, Upr. Pnl.	V	1	—	—	—	1	—	—	2604 318-9
	To Wheel House	V	1	—	—	—	1	—	—	2604 240-1
	To Wheel House	B,L	—	1	—	—	1	—	—	2603 642-3
	w/PIN, Upr. Pnl.	B	—	1	—	—	—	—	—	2783 504-5
	To Wheel House, Lwr.	B	—	—	1	—	—	—	—	2784 498-9
	w/NUT, Upr.	B	—	—	—	1	—	—	—	2839 156-7
	w/PIN, Qtr. Pnl. Upr	B	—	—	1	—	—	—	—	2839 582-3
	To Wheel House, Lwr.	B,L	—	—	1	—	—	—	—	2604 862-3
	w/PIN, Qtr. Pnl	L	—	—	1	—	—	—	—	2604 870-1
	w/PIN, To Upr. Pnl.	L	—	1	—	—	1	—	—	2604 322-3
	w/PIN, Upr	R,W	1	1	—	—	—	—	—	2841 278-9
	To Wheel House, Lwr.	R,W	1	1	—	—	1	—	—	2838 482-3
	w/PIN, Upr.	R,W	—	—	—	—	1	—	—	2841 280-1
	To Wheel House, Lwr.	R,W	—	—	2	—	—	—	—	2841 848
	w/PIN, Qtr. Pnl., Upr.	R,W	—	—	1	—	—	—	—	2841 380-1

TYPE LETTERS Indicates V - Valiant R - Belvedere P - Plymouth C - Chrysler
 B - Barracuda L - Dart W - Coronet D - Dodge Y - Imperial

NUMERALS INDICATE: 21 - 2 DR. SED. 27 - CONV. CPE. 41 - 4 DR. SED. 45 - 6 PASS. STA. WGN.
 23 - 2 DR. H.T. 29 - FAST BACK 43 - 4 DR. H.T. 46 - 9 PASS. STA. WGN.

AR Indicates use as required. Numerals in parentheses () refer to notes. Printed in U.S.A.
 # Indicates parts not listed in any previous parts book ★ Indicates change or addition. January 1971

Right and left part numbers are on same line, first number is right, second number is left.

CODE	PART NAME	MODEL CODES	SEE BOTTOM NOTE								PART NUMBER
			21	23	27	29	41	43	45	46	
23-19-0 DECK LID Cont'd.											
23-19-82	SUPPORT Cont'd.										
	To Wheel House, Lwr.	P	1	1	—	1	1	1	—	—	2900 752-3
	To Wheel House, Lwr.	P	—	—	1	—	—	—	—	—	2901 118-9
	w/PIN, Upr.	P,D	1	1	—	1	1	1	—	—	2902 618-9
	w/PIN, Qtr. Pnl., Upr.	P,D	—	—	1	—	—	—	—	—	2963 504-5
	To Wheel House, Lwr.	D	—	1	—	—	1	1	—	—	2900 754-5
	To Wheel House, Lwr.	D	—	—	1	—	—	—	—	—	2901 120-1
	w/PIN, Qtr. Pnl., Upr.	C	—	—	1	—	—	—	—	—	2963 502-3
	To Wheel House, Lwr.	C	—	—	1	—	—	—	—	—	2901 122-3
	w/PIN, Upr.	C,Y	—	1	—	—	1	1	—	—	2902 554-5
	To Wheel House, Lwr.	C,Y	—	1	—	—	1	1	—	—	2900 078-9
23-19-84	HINGE, Deck Lid										
	w/CAM	V	2	—	—	—	2	—	—	—	2769 289
		B	—	2	2	—	—	—	—	—	2783 552
		B	—	—	—	1	—	—	—	—	2945 034-5
	w/CAM	L	—	—	1	—	—	—	—	—	3417 080-1
	w/CAM	L	—	1	—	—	1	—	—	—	3417 078-9
	w/CAM	R	2	2	2	—	2	—	—	—	2769 289
	w/CAM	W	1	1	1	—	1	—	—	—	2901 990-1
	w/CAM	W	—	—	—	2	—	—	—	—	2842 708
	w/CAM	w-500	—	—	—	2	—	—	—	—	3412 156
	w/CAM	P,D,C,Y	1	1	—	1	1	1	—	—	2934 320-1
	w/CAM	C	—	—	1	—	—	—	—	—	2934320-1
	w/CAM	P,D	—	—	1	—	—	—	—	—	2934 742-3
	HINGE and Torsion Bar BRACKET, Deck Lid	B	—	—	1	—	—	—	—	—	2859 144-5
23-19-92	SPRING, Deck Lid Hinge	B	—	—	—	4	—	—	—	—	2802 691
23-19-94	SWITCH, Vacuum Deck Lid Latch Release										
	w/Pwr. Release	R,W,P, D,C,Y	1	1	1	1	1	1	—	—	2935 997
	w/Pwr. Release Comp	R,W,P, D,C,Y	1	1	1	1	1	1	—	—	2935 944
	NUT	R,W,P, D,C,Y	1	1	1	1	1	1	—	—	6026 839
23-19-97	TUBE, Vacuum Deck Lid Latch w/Pwr. Release	R,W,P, D,C,Y	1	1	1	1	1	1	—	—	2254 552
23-19-99	(Tube sold by the Inch) TAPPING PLATE, Deck Lid Hge	V,B,L R,W,P, D,C,Y	2	2	2	—	2	—	—	—	2243 327
		D,C,Y	2	2	2	2	2	2	—	—	2243 327
23-19-100	BEZEL, Vacuum Deck Lid Latch Rel. Sw.										
	w/Pwr. Release	R,W,P, D,C,Y	1	1	1	1	1	1	—	—	2765 100
	w/Pwr. Release	D-K,D-T	—	—	—	—	1	—	—	—	2765 100
23-19-105	LATCH, Deck Lid										
	w/o Pwr. Release	All	1	1	1	1	1	1	—	—	2167 260
	w/Pwr. Release, Vacuum	R,W,P, D,C,Y	1	1	1	1	1	1	—	—	2428 275
	w/Pwr. Release, Vacuum, Comp.	R,W,P, D,C,Y	1	1	1	1	1	1	—	—	2520 735
	SCREW and WASHER	All	2	2	2	2	2	2	—	—	180 077
23-19-109	CONNECTOR, Vacuum Deck Lid Latch										
	w/Pwr. Release	R,W,P,D	1	1	1	1	1	1	—	—	1858 955
	CONNECTOR, Vacuum Deck Lid Latch Tube										
	w/Pwr. Release, Tee Type	R,W,P, D,C,Y	1	1	1	1	1	1	—	—	2520 748

TYPE LETTERS Indicates

B - Barracuda

V - Valiant

L - Dart

R - Belvedere

W - Coronet

P - Plymouth

D - Dodge

C - Chrysler

Y - Imperial

NUMERALS INDICATE:

21 - 2 DR. SED.

23 - 2 DR. H.T.

27 - CONV. CPE.

29 - FAST BACK

41 - 4 DR. SED.

43 - 4 DR. H.T.

45 - 6 PASS. STA. WGN.

46 - 9 PASS. STA. WGN.

AR Indicates use as required.

Indicates parts not listed in any previous parts book

Numerals in parentheses () refer to notes.

★ Indicates change or addition.

Printed in U.S.A.

January 1971

Right and left part numbers are on same line, first number is right, second number is left.

CODE	PART NAME	MODEL CODES	SEE BOTTOM NOTE								PART NUMBER	
			21	23	27	29	41	43	45	46		
23-19-0 DECK LID Cont'd.												
23-19-109	CONNECTOR Cont'd.	w/Pwr. Release	R,W,P, D,C,Y	3	3	3	3	3	3	—	—	2520 749
23-19-110	CLIP, Vacuum Deck Lid Latch Tube	w/Pwr. Release	R,D,C,Y	2	2	2	2	2	2	—	—	2520 750
23-19-114	NAME PLATE, Medallion or Ornament, Deck Lid (1)											
23-19-123	NAME PLATE, Deck Lid Road Runner (1)		Y	—	1	—	—	1	1	—	—	2945 399
23-19-133	GASKET, Deck Lid Lock Cyl. Metal Base											
23-19-133	SHIELD, Deck Lid Lock Attaching Nut											
23-19-177	Striker		D	—	1	1	—	1	1	—	—	2902 656
23-19-177	BAR, Deck Lid Hinge Torsion		V	1	—	—	—	—	—	—	—	2604 146-7
			B	—	1	—	—	—	—	—	—	2783 550-1
			B	—	—	1	—	—	—	—	—	2784 014-5
			L	—	1	—	—	1	—	—	—	2603 694-5
			L	—	—	1	—	—	—	—	—	2840 966-7
		Except R-P, R-S, 2 D. H.T.	R,W	1	1	—	—	1	—	—	—	2838 620-1
			R-P,R-S	—	1	—	—	—	—	—	—	2841 522-3
			R-P, R-S	—	—	1	—	—	—	—	—	2838 256-7
			R-M,R-H,									
			W-P,W-S	—	—	1	—	—	—	—	—	2841 678-9
			W	—	—	—	1	—	—	—	—	2842 712-3
			P	1	1	—	1	1	1	—	—	2900 134-5
			P	—	—	1	—	—	—	—	—	2963 650-1
			D	—	1	—	—	1	1	—	—	2900 834-5
			D	—	—	1	—	—	—	—	—	2901 190-1
			C	—	—	1	—	—	—	—	—	2902 834-5
			C,Y	—	1	—	—	1	1	—	—	2900 836-7
23-19-178	RETAINER, Deck Lid Hge. Torsion Bar		B	—	1	1	—	—	—	—	—	2259 413
			V,L,R,W	1	1	1	1	1	—	—	—	6000 594
			P,D,C,Y	1	—	—	—	1	1	—	—	6000 594
	SLIDE, Deck Lid Hge. Torsion Bar		V,L,R,W	2	2	2	2	2	—	—	—	2480 230
			P,D,C,Y	2	2	—	2	2	2	—	—	2480 230
23-19-181	BRACKET, W/STUD, Deck Lid Hinge											
	Torsion Bar		W	—	—	—	1	—	—	—	—	2842 704-5
	BRACKET, Deck Lid Hinge Mtg.		W-500	—	—	—	2	—	—	—	—	3412 165
23-19-188	STOP, Deck Opng. Upr. Pnl. Hge		W	—	—	—	1	—	—	—	—	2842 754-5
23-19-198	HINGE, Rear Compartment Security Pnl.											
		Prime	B	—	—	—	1	—	—	—	—	2783 323
23-19-200	STRIKER, Rear Compartment Security Pnl.											
	Latch		B	—	—	—	1	—	—	—	—	2520 650
23-19-204	LATCH, Rear Compartment Security Pnl		B	—	—	—	1	—	—	—	—	2520 645
	SCREW		B	—	—	—	4	—	—	—	—	456 867
23-19-206	BUMPER, Deck Opng. Upr. Pnl. Reinf. to											
	Rear Compt. Security Pnl		B	—	—	—	2	—	—	—	—	2842 789

23-20-0 FLOOR MATS

23-20-8	MAT, Front Floor											
		Blue and Black	V-L	1	—	—	—	1	—	—	—	1611 EBX
		Red and Black	V-L	1	—	—	—	1	—	—	—	1611 ERX
		Black	V-L,L-L	1	1	—	—	1	—	—	—	1647 CX9
		Black	R-K,									
			R-T,R-L	1	—	—	—	1	—	1	—	1601 CX8
		Blue and Black	R-L,W-L	1	—	—	—	1	—	1	—	1602 DBX
		Tan and Black	R-L,W-L	1	—	—	—	1	—	1	—	1602 ETX
		Black	W-K,									
			W-T,W-L	1	—	—	—	1	—	1	—	1601 CX8

TYPE LETTERS Indicates	B - Barracuda	V - Valiant L - Dart	R - Belvedere W - Coronet	P - Plymouth D - Dodge	C - Chrysler Y - Imperial
NUMERALS INDICATE:	21 - 2 DR. SED. 23 - 2 DR. H.T.	27 - CONV. CPE. 29 - FAST BACK	41 - 4 DR. SED. 43 - 4 DR. H.T.	45 - 6 PASS. STA. WGN. 46 - 9 PASS. STA. WGN.	

AR Indicates use as required. Numerals in parentheses () refer to notes. Printed in U.S.A.
 # Indicates parts not listed in any previous parts book. ★ Indicates change or addition. January 1971

Right and left part numbers are on same line, first number is right, second number is left.

CODE	PART NAME	MODEL CODES	SEE BOTTOM NOTE								PART NUMBER
			21	23	27	29	41	43	45	46	
23-20-0 FLOOR MATS Cont'd.											
23-20-8	MAT Cont'd.										
	Heavy Duty, Black	P-K,P-T, P-E,P-L	1	—	—	—	1	—	1	—	1627 EX8
	Heavy Duty, Black	D-K, D-T,D-L	—	—	—	—	1	—	1	—	1627 EX8
23-20-14	PLATE, Body Side Sill Door Scuff	V,B,L	2	2	2	2	—	—	—	—	2788 080
	Use Up to Jan. 1969	R,W	2	2	2	2	—	—	—	—	2789 608
	Use After Jan. 1969	P,D,C,Y	2	2	2	2	—	—	—	—	2877 964
		P,D,C,Y	2	2	2	2	—	—	—	—	2879 508
	Fr.	V,L	—	—	—	—	1	—	—	—	2788 252-3
	Fr.	R,W	—	—	—	—	2	—	2	2	2789 604
	Fr., use Up to Jan. 1969	P,D,C,Y	—	—	—	—	2	2	2	2	2877 966
	Fr., Use After Jan. 1969	P,D,C,Y	—	—	—	—	2	2	2	2	2879 509
	Rear	V,L	—	—	—	—	1	—	—	—	2788 084-5
	Rear	R,W	—	—	—	—	1	—	1	1	2789 606-7
	Rear, Use up to Jan. 1969	P,D	—	—	—	—	1	1	1	1	2877 974-5
	Rear, Use up to Jan. 1969	C	—	—	—	—	—	—	1	1	2877 974-5
	Rear, Use After Jan. 1969	P,D	—	—	—	—	1	1	1	1	2879 510-1
	Rear, Use After Jan. 1969	C	—	—	—	—	—	—	1	1	2879 510-1
	Rear, Use Up to Jan. 1969	C,Y	—	—	—	—	1	1	—	—	2877 978-9
	Rear, Use After Jan. 1969	C,Y	—	—	—	—	1	1	—	—	2879 512-3
23-20-24	EXTENSION, Body Side Sill Door Scuff Plate	V,B,L	1	1	—	—	—	—	—	—	2788 086-7
		B	—	—	—	1	—	—	—	—	2788 836-7
		R,W	1	1	1	1	—	—	—	—	2656 972-3
		R,W	—	—	—	—	1	—	1	1	2788 400-1
23-20-29	MAT, Luggage Compartment Floor	V	1	—	—	—	1	—	—	—	2787 851
		B	—	1	1	—	—	—	—	—	2877 129
		B	—	—	—	1	—	—	—	—	2877 157
		L	—	1	1	—	1	—	—	—	2877 128
		R	1	1	1	—	1	—	—	—	2877 207
		W	1	1	1	—	1	—	—	—	2879 384
		W	—	—	—	1	—	—	—	—	2877 078
		P	1	1	—	1	1	1	—	—	2879 587
		D	—	1	—	—	1	1	—	—	2879 587
		P,D	—	—	1	—	—	—	—	—	2879 588
		C-E,	—	—	—	—	—	—	—	—	—
		C-L,C-M	—	1	—	—	1	1	—	—	2879 589
		C-E,C-M	—	—	1	—	—	—	—	—	2877 953
	CANADA	P,D	1	1	—	1	1	1	—	—	2879 587
	CANADA	P,D	—	—	1	—	—	—	—	—	2879 588
23-20-41	MAT, Rear Floor										
	Blue and Black	V-L	1	—	—	—	1	—	—	—	1610 DBX
	Red and Black	V-L	1	—	—	—	1	—	—	—	1610 FRX
	Black	V-L	1	—	—	—	1	—	—	—	1683 CX8
	Black, w/o 4 Speed Manual Trans.	V-L	1	—	—	—	—	—	—	—	1650 CX9
	Black, w/o 4 Speed Manual Trans.	V-L	—	—	—	—	1	—	—	—	1619 CX9
	Black	L-L	—	1	—	—	1	—	—	—	1684 CX9
	Blue and Black	R-L,W-L	1	—	—	—	—	—	—	—	1657 DBX
	Tan and Black	R-L, W-L	1	—	—	—	—	—	—	—	1657 ETX
	Blue and Black	R-L, W-L	—	—	—	—	1	—	1	—	1699 DBX
	Tan and Black	R-L, W-L	—	—	—	—	1	—	1	—	1607 ETX
	Black	R,W	1	—	—	—	—	—	—	—	1656 DX8
	Black	R,W	—	—	—	—	1	—	1	—	1604 CX8
	Heavy Duty, Black	P-K, P-E,P-L	1	—	—	—	—	—	—	—	1634 FX8

TYPE LETTERS Indicates	B - Barracuda	V - Valiant L - Dart	R - Belvedere W - Coronet	P - Plymouth D - Dodge	C - Chrysler Y - Imperial
NUMERALS INDICATE:	21 - 2 DR. SED. 23 - 2 DR. H.T.	27 - CONV. CPE. 29 - FAST BACK	41 - 4 DR. SED. 43 - 4 DR. H.T.	45 - 6 PASS. STA. WGN. 46 - 9 PASS. STA. WGN.	

AR Indicates use as required. Numerals in parentheses () refer to notes. Printed in U.S.A.
 # Indicates parts not listed in any previous parts book. ★ Indicates change or addition. January 1971
 Right and left part numbers are on same line, first number is right, second number is left.

CODE	PART NAME	MODEL CODES	SEE BOTTOM NOTE								PART NUMBER
			21	23	27	29	41	43	45	46	
23-20-0 FLOOR MATS Cont'd.											
23-20-41	MAT Cont'd.										
	Heavy Duty, Black	P-K,P-T, P-E, P-L	—	—	—	—	1	—	—	—	1653 EX8
	Heavy Duty, Black	P-K, P-E,P-L	—	—	—	—	—	—	1	—	1613 EX8
	Heavy Duty, Black	D-K, D-T,D-L	—	—	—	—	1	—	—	—	1652 EX8
	Heavy Duty, Black	D-L	—	—	—	—	—	—	1	—	1613 EX8
	Rr. Floor Well Floor	R,W	—	—	—	—	—	—	1	—	2589 177
	Rr. Floor Well	P,D,C	—	—	—	—	—	—	1	1	1632 EX8
23-20-65	PLATE, Center Pillar Scuff Except R-T, W-T, W-P	V-L R,W R,W	—	—	—	—	2	—	—	—	2788 088
			—	—	—	—	2	—	—	—	2789 423
			—	—	—	—	—	—	2	2	2789 423
23-21-0 MIRRORS											
23-21-3	MIRROR PACKAGE, Door Outside Remote Control Rear View	V,B L,R,W	1	1	1	1	1	—	1	1	2935 217
	MIRROR, Door Outside Remote Control Rear View	V,B,L R,W	1	1	1	1	1	—	—	—	2945 955
			1	1	1	—	1	—	1	1	2945 955
	w/o Ventless Glass	P	1	1	1	1	1	1	1	1	2935 334
	w/Ventless Glass	P	—	1	—	1	—	—	—	—	2999 356
	w/o Ventless Glass	D,C,Y	—	1	1	—	1	1	1	1	2935 335
	w/Ventless Glass	D,C,Y	—	1	—	—	—	—	—	—	2999 357
	MIRROR PACKAGE, Door Outside Rear View	V,B, L,R,W	1	1	1	1	1	—	1	1	2802 869
	MIRROR, Door Outside Rear View										
		P	1	1	1	1	1	1	1	1	2945 608
		D,C,Y	—	1	1	—	1	1	1	1	2945 610
	(NOTE, use w/Remote Cont. Mirror, Lt. Side)										
	MIRROR, Door Outside Rear View Rt. or Lt. Side	V,B,L R,W	1	1	1	1	1	—	1	1	2802 710
			1	1	1	1	1	1	1	1	2935 337
		P	1	1	1	1	1	1	1	1	2935 338
		P	1	1	1	1	1	1	1	1	2935 339
	Except C-H	D,C	—	1	1	—	1	1	1	1	2935 339
	Except C-H	D,C	—	1	1	—	1	1	1	1	2935 340
23-21-8	MIRROR, Inside Rear View Prismatic, Comp	All	1	1	1	1	1	1	1	1	2935 490
	SCREW	All	1	1	1	1	1	1	1	1	6026 911
	MIRROR, Inst. Pnl. Glove Box Vanity	Y	—	1	—	—	1	1	—	—	2857 539
23-21-14	BRACKET and Shaft, Inside Rear View Mirror Mtg.	V,B, L,R,W	1	1	—	1	1	—	1	1	2945 208
		P,D,C	1	1	—	1	1	1	—	—	2999 022
		P,D,C	—	—	—	—	—	—	1	1	2945 056
		B,L	—	—	1	—	—	—	—	—	2945 205
		R,W	—	—	1	—	—	—	—	—	2945 206
		P,D,C	—	—	1	—	—	—	—	—	2935 343
		Y	—	1	—	—	1	1	—	—	2999 023
	SCREW, 3/4" long	V,B, L,R,W	2	2	2	2	2	—	2	2	9414 764
	SCREW, 1 1/4" long	V,B, L,R,W	1	1	1	1	1	—	1	1	9414 767

TYPE LETTERS Indicates	B - Barracuda	V - Valiant L - Dart	R - Belvedere W - Coronet	P - Plymouth D - Dodge	C - Chrysler Y - Imperial
NUMERALS INDICATE:	21 - 2 DR. SED. 23 - 2 DR. H.T.	27 - CONV. CPE. 29 - FAST BACK	41 - 4 DR. SED. 43 - 4 DR. H.T.	45 - 6 PASS. STA. WGN. 46 - 9 PASS. STA. WGN.	

AR Indicates use as required. Numerals in parentheses () refer to notes. Printed in U.S.A.
 # Indicates parts not listed in any previous parts book. ★ Indicates change or addition. January 1971
 Right and left part numbers are on same line, first number is right, second number is left.

CODE	PART NAME	MODEL CODES	SEE BOTTOM NOTE								PART NUMBER
			21	23	27	29	41	43	45	46	
23-21-0	MIRRORS Cont'd.										
23-21-15	MIRROR (See Part Type Code 23-21-3)										
23-21-16	SPACER, Outside Remote Control Rear View Mirror	R,W	1	1	1	—	1	—	1	1	2945 103
23-21-18	GASKET, Frt. Door Outside Remote Rear View Mirror	V,B,L W	1	1	1	1	1	—	—	—	2802 303 2802 303
	GASKET, Frt. Door Outside Rear View Mirror	V,B L,R,W	1	1	1	1	1	—	1	1	2802 303
		P	1	1	1	—	1	1	1	1	2935 854
		D,C,Y	—	1	1	—	1	1	1	1	2935 855
23-21-19	WASHER, Frt. Door Outside Remote Control Rear View Mirror Cont.	V,B L,R,W P,D,C,Y	1	1	1	1	1	—	1	1	2945 603 2999 115 2984 539
23-21-26	RETAINER, Glove Box Vanity Mirror	Y	2	—	—	2	2	—	—	—	2984 539
23-21-58	GUIDE, Door Outside Remote Control Rear View Cable Use w/Ventless Glass	P,D,C,Y	—	1	—	1	—	—	—	—	2999 358
23-21-74	NUT, Door Outside Remote Control Rear View Mirror Control Attaching Lt. Side	P,D,C,Y	1	1	1	—	1	1	1	1	2999 001

23-22-0 GARNISH MOULDINGS

23-22-53	MOULDING, Qtr. Wdo. Belt Garnish Prime	V	1	—	—	—	—	—	—	—	2784 400-1
	Retainer Prime	B	—	1	—	—	—	—	—	—	2783 424-5 6002 369
		L	—	1	—	—	—	—	—	—	2782 082-3
	Prime	R	1	—	—	—	—	—	—	—	2840 704-5
	Prime	R	—	1	—	—	—	—	—	—	2838 672-3
	Prime	W	1	—	—	—	—	—	—	—	2840 706-7
	Prime	W	—	1	—	—	—	—	—	—	2840 350-1
	Retainer Prime	R,W	AR	AR	—	—	—	—	—	—	6002 186
		P,D,C	—	—	—	—	—	1	1	—	2877 916-7
	MOULDING, Qtr. Wdo. Garnish Prime	B	—	—	—	1	—	—	—	—	2841 104-5
	Frt., Prime	R,W	—	—	—	—	—	1	1	—	2861 572-3
	Upr., Prime	R,W	—	—	—	—	—	1	1	—	2811 780-1
	Lwr., Frt., Rt., Prime	R,W	—	—	—	—	—	1	1	—	2811 782
	Lt., Prime	R,W	—	—	—	—	—	1	1	—	2811 783
	Lwr., Rr., Rt., Prime	R,W	—	—	—	—	—	1	1	—	2811 986
	Lt., Prime	R,W	—	—	—	—	—	1	1	—	2811 987
	Upr., Prime	P,D,C	—	—	—	—	—	1	1	—	2894 736-7
23-22-55	SUPPORT, Qtr. Wdo. Lwr. Garnish Mldg.	P,D,C	—	—	—	—	—	1	1	—	2878 062-3
23-22-57	BRACKET, Qtr. Wdo. Lwr. Garnish Mldg.	R,W	—	—	—	—	—	6	6	—	2860 755
23-22-78	MOULDING, Qtr. Pnl. Tailgate Opng. Upr. Corner Garnish Prime	R,W	—	—	—	—	—	1	1	—	2663 942-3
	MOULDING, Qtr. Pnl. Tailgate Opng. Side Garnish Prime	R,W	—	—	—	—	—	1	1	—	2861 576-7
23-22-78	MOULDING, Roof Rear Garnish Tailgate Opng. Prime	P,D,C	—	—	—	—	—	1	1	—	2894 734
23-22-86	MOULDING, Rear Wdo. Garnish Prime, Lwr.	B	—	—	—	1	—	—	—	—	2784 116
	RETAINER, Lwr.	B	—	—	—	AR	—	—	—	—	6002 330
	Prime, Side	B	—	—	—	1	—	—	—	—	2783 370-1

TYPE LETTERS Indicates

B - Barracuda

V - Valiant

L - Dart

R - Belvedere

W - Coronet

P - Plymouth

D - Dodge

C - Chrysler

Y - Imperial

NUMERALS INDICATE:

21 - 2 DR. SED.

23 - 2 DR. H.T.

27 - CONV. CPE.

29 - FAST BACK

41 - 4 DR. SED.

43 - 4 DR. H.T.

45 - 6 PASS. STA. WGN.

46 - 9 PASS. STA. WGN.

AR Indicates use as required.

Indicates parts not listed in any previous parts book

Numerals in parentheses () refer to notes.

★ Indicates change or addition.

Printed in U.S.A.

January 1971

Right and left part numbers are on same line, first number is right, second number is left.

CODE	PART NAME	MODEL CODES	SEE BOTTOM NOTE							PART NUMBER
			21	23	27	29	41	43	45	
23-22-0 GARNISH MOULDINGS Cont'd.										
23-22-86	MOULDINGS Cont'd.									
	RETAINER, Side, Frt.	B	—	—	—	AR	—	—	—	6002 330
	Prime, Side and Upr.	L	—	1	—	—	—	—	—	2782 080-1
	Prime, Upr.	P,D,C,Y	—	1	—	—	—	—	—	2877 668
	SCREW, Upr.	P,D,C	—	AR	—	—	—	—	—	9414 753
	Prime, Lwr.	P,D,C,Y	—	1	—	—	—	—	—	2877 670
	SCREW, Lwr.	P,D,C	—	AR	—	—	—	—	—	9423 434
	Lwr., Light Blue	Y	—	1	—	—	—	—	—	3704 EB2
	Dark Blue	Y	—	1	—	—	—	—	—	3704 EB9
	Yellow Green	Y	—	1	—	—	—	—	—	3704 EF7
	Yellow Tan	Y	—	1	—	—	—	—	—	3704 ET1
	Mauve or Maroon	Y	—	1	—	—	—	—	—	3704 EM9
	Turquoise	Y	—	1	—	—	—	—	—	3704 EQ3
	Black	Y	—	1	—	—	—	—	—	3704 EX9
	White	Y	—	1	—	—	—	—	—	3720 EW1
23-22-90	BRACKET, Rear Wdo. Garnish Mldg. End.									
	Attaching Lwr.	Y	—	1	—	—	—	—	—	2879 324-5
	Lwr., Ctr. and Interm.	Y	—	2	—	—	—	—	—	2878 920
23-22-145	MOULDING, Windshield Garnish									
	Prime, Upr.	B,L	—	—	1	—	—	—	—	2842 192
	Prime, Upr. Corner	B,L	—	—	1	—	—	—	—	2842 194-5
	Prime, Upr.	R,W	—	—	1	—	—	—	—	2842 205
	Prime, Upr.	R,W	1	1	—	1	—	—	—	2811 273
	Prime, Upr.	R,W	—	—	—	1	—	1	1	2570 320
	Prime, Upr. Corner	R,W	—	—	1	—	—	—	—	2842 742-3
	Prime, Upr.	P,D,C,Y	1	1	—	1	1	1	1	2893 146
	Prime, Upr.	P,D,C	—	—	1	—	—	—	—	2901 020
	Prime, Upr. Corner	P,D,C	—	—	1	—	—	—	—	2901 022-3
	Side	B,L	—	—	1	—	—	—	—	3766-7 DX9
	Side	B,L	—	1	—	1	—	—	—	3706-7EX9
	Side	R,W	—	—	1	—	—	—	—	3794-5 DX9
	Side	R,W	1	1	—	1	—	—	—	3760-1DX9
	Side	R,W	—	—	—	—	—	1	1	3792-3 DX9
	Side	R,W	—	—	—	—	1	—	—	3762-3 DX9
	w/Ventless Glass, Side	P,D,C,Y	—	1	—	—	—	—	—	3738-9EX9
	w/o Ventless Glass, Side	P,D,C,Y	—	1	—	—	—	—	—	3740-1EX9
	Side	P,D,C	—	—	1	—	—	—	—	3748-9EX9
	w/o Ventless Glass, Side	P,D,C,Y	1	—	—	1	—	1	—	3742-3EX9
	w/Ventless Glass, Side	P	—	—	—	1	—	—	—	3786-7 EX9
	Side	P,D,C,Y	—	—	—	—	1	—	1	3744-5EX9
	Side, Black, Canada	D-H,D-P	—	—	1	—	—	—	—	3748-9EX9

23-23-0 OUTSIDE FINISH MOULDINGS

23-23-2	MOULDING, Body Side Sill Finish (1)									
23-23-11	SPACER, Outside Finish Mldg. to Rear Wdo. Glass	R,W	AR	AR	—	—	—	—	—	2840 418
	Upr.	W	—	—	—	AR	—	—	—	2840 418
	Lwr.	W	—	—	—	AR	—	—	—	2840 418
	SPACER, Rear Wdo. Outside Side and Upr. mldg. to Rear Wdo. Glass	R,W	AR	AR	—	—	—	—	—	2840 418
	SPACER, Rear Wdo. Outside Corner Mldg. To Deck Opng. Pnl.	W	—	—	—	AR	—	—	—	2840 418
	SPACER, Rear Wdo. Glass Outside Finish Mldg.									
	Upr.	R,W	—	—	—	AR	—	—	—	2840 418
	Upr. Corner	R,W	—	—	—	AR	—	—	—	2840 418
	Lwr. and Side	R,W	—	—	—	AR	—	—	—	2840 418
	SPACER, Mldg. Rear Wdo. Outside									

TYPE LETTERS INDICATES	B - Barracuda	V - Valiant L - Dart	R - Belvedere W - Coronet	P - Plymouth D - Dodge	C - Chrysler Y - Imperial
NUMERALS INDICATE:	21 - 2 DR. SED. 23 - 2 DR. H.T.	27 - CONV. CPE. 29 - FAST BACK	41 - 4 DR. SED. 43 - 4 DR. H.T.	45 - 6 PASS. STA. WGN. 46 - 9 PASS. STA. WGN.	

AR Indicates use as required. Numerals in parentheses () refer to notes. Printed in U.S.A. January 1971
 # Indicates parts not listed in any previous parts book ★ Indicates change or addition.

Right and left part numbers are on same line, first number is right, second number is left.

CODE	PART NAME	MODEL CODES	SEE BOTTOM NOTE								PART NUMBER
			21	23	27	29	41	43	45	46	
23-23-0 OUTSIDE FINISH MOULDINGS Cont'd.											
23-23-11	SPACER Cont'd.										
	Side and Upr.	P,D	AR	—	—	AR	—	AR	—	—	2840 418
	Lwr.	P,D	AR	—	—	AR	—	AR	—	—	2840 418
	Lwr. Corner	P,D	4	—	—	—	—	AR	—	—	2840 418
	Upr.	P,D,C	AR	—	—	—	AR	AR	—	—	2900 275
	Upr.	Y	—	—	—	—	AR	—	—	—	2900 275
	Upr.	Y	—	AR	—	—	AR	—	—	—	2840 418
	Lwr.	Y	—	AR	—	—	—	AR	—	—	2840 418
	SPACER, Qtr. Pnl. Outside Tailgate Pillar Upr. Mldg. w/o Assist Handles	P,D,C	—	—	—	—	—	—	8	8	6002 665
	SPACER, Windshield Outside Side Mldg. to Glass	P,D,C,Y	2	2	2	2	2	2	2	2	2895 411
	SPACER, Windshield Outside Upper Mldg. to Glass	P,D,C,Y	1	1	1	—	1	1	1	1	2895 413
23-23-12	TAPE, Deck Lid or Deck Lid Finish Pnl. (1)										
	TAPE, Door and Qtr. (1)										
	INSERT, Door and Qtr. (1)										
23-23-14	MOULDING, Frt. Pillar (1)										
23-23-15	RETAINER, Deck Lid Mldg.	D	—	1	1	—	1	1	—	—	2902 868-9
23-23-16	PANEL, Ctr. Pillar Upr. Finish (1)										
23-23-23	MOULDING, Deck Opng. Lwr. Pnl. (1)										
23-23-25	LENS, Deck Opng. Lwr. Finish Pnl. (1)										
23-23-27	SPACER, Deck Opng. Lwr. Finish Pnl.	W-M, W-H	14	14	—	—	14	—	—	—	2902 822
23-23-28	PANEL, Deck Opng. Lwr. Finish (1)										
23-23-30	PANEL, Deck Lid Finish (1)										
23-23-31	MOULDING, Deck Opng. Upr. Pnl. Finish (1)										
23-23-32	MOULDING, Frt. Door Outside Finish (1)										
23-23-33	MOULDING, Rear Door Outside Finish (1)										
23-23-39	MOULDING, Qtr. Pnl. Outside Finish (1)										
23-23-41	CAP or COVER, Body Outside Finish (1)										
23-23-42	MOULDING, Roof Panel Finish (1)										
23-23-52	MOULDING, Rear Wdo. Outside Finish (1)										
23-23-60	MOULDING, Tailgate Opng. Outside Finish (1)										
	MOULDING, Roof Rear Air Deflector										
23-23-61	MOULDING, Tailgate Outside Finish (1)										
23-23-65	MOULDING, Windshield Outside Finish (1)										
23-23-68	RETAINER PACKAGE, w/Shield Outside Lwr. Mldg.	R,W	AR	AR	AR	AR	AR	—	AR	AR	2932 580
	(Consists of 10-6002 612 Retainers)										
23-23-73	MOULDING, Qtr. Wdo. Outside Finish (1)										
23-23-75	SEAL, Windshield Outside Upr. Mldg. to Windshield Pillar	B,L	—	—	1	—	—	—	—	—	2840 432-3
23-23-77	PANEL and NAME LETTERS, Tailgate Outside Finish (1)										
	NOTE (1) See Exterior Moulding Illustrations in Illustration Catalog.										
23-23-80	PANEL, Frt. Door Outside Panel Finish (1)										
23-23-85	PANEL, Qtr. Outside Panel Finish (1)										
23-26-0 TRIM FINISH MOULDINGS											
23-26-19	MOULDING, Tailgate Inside Trim										
	Upr. and Lwr. Side	C	—	—	—	—	—	—	2	2	2878 238
		C	—	—	—	—	—	—	2	2	2878 242
23-26-23	MOULDING, Door Trim Pnl.										
	Upr., Ret., Chrome	V,B,L	1	1	1	1	—	—	—	—	2787 776-7
	Upr., Ret., Chrome	R,W	1	1	1	1	—	—	—	—	2788 934-5
	Frt., Upr., Ret., Chrome	V,L	—	—	—	—	—	—	—	—	2787 778-9
TYPE LETTERS INDICATES											
	B - Barracuda	V - Valiant	R - Belvedere	P - Plymouth	C - Chrysler						
		L - Dart	W - Coronet	D - Dodge	Y - Imperial						
NUMERALS INDICATE:											
	21 - 2 DR. SED.	27 - CONV. CPE.	41 - 4 DR. SED.	45 - 6 PASS. STA. WGN.							
	23 - 2 DR. H.T.	29 - FAST BACK	43 - 4 DR. H.T.	46 - 9 PASS. STA. WGN.							
AR	Indicates use as required.		Numerals in parentheses () refer to notes.				Printed in U.S.A.				
#	Indicates parts not listed in any previous parts book		★ Indicates change or addition.				January 1971				
Right and left part numbers are on same line, first number is right, second number is left.											

CODE	PART NAME	MODEL CODES	SEE BOTTOM NOTE								PART NUMBER
			21	23	27	29	41	43	45	46	
23-26-0 TRIM FINISH MOULDINGS Cont'd.											
23-26-23	MOULDING Cont'd. Frnt., Upr., Ret., Chrome	R,W	—	—	—	—	1	—	1	1	2788 930-1
	Frnt.	W-M,W-S	1	1	1	—	—	—	—	—	2878 320-1
	Frnt.	W-P	—	—	—	—	1	—	1	1	2878 324-5
		P-H	—	1	1	2	—	—	—	—	2878 274-5
	Frnt., Upr.	P-P	—	2	—	2	—	2	—	—	2878 310
		D-H	—	1	—	—	—	—	—	—	2878 260-1
		D-H	—	—	—	—	1	1	1	1	2878 258-9
	Canada	D-P	—	1	1	—	—	—	—	—	2878 274-5
		C-M	—	1	1	—	—	—	—	—	2878 790-1
	Frnt.	C-M	—	—	—	—	—	1	—	—	2878 788-9
	Frnt.	C-H	—	1	—	—	1	1	—	—	2878 368-9
	Rr., Upr., Ret., Chrome	V,L	—	—	—	—	1	—	—	—	2787 780-1
	Rr., Upr., Ret., Chrome	R,W	—	—	—	—	1	—	1	1	2788 932-3
	Rr.	W-H	—	—	—	—	—	—	1	1	2878 326-7
	Rr.	W-P	—	—	—	—	1	—	1	1	2878 326-7
	Rr.	D-H	—	—	—	—	2	2	2	2	2878 257
	Rr.	C-M	—	—	—	—	—	2	—	—	2878 868
	Rr.	C-H	—	—	—	—	1	1	—	—	2878 370-1
	FRAME, Rear Door Trim Pnl. Finish Upr.	P-P	—	—	—	—	—	1	—	—	2878 312-3
	FINISH PLATE, Door Arm Rest Storage Compartment Lid Pad										
	UP to Type, Frnt.	Y	—	2	—	—	2	2	—	—	2878 350
	Rear	Y	—	—	—	—	2	2	—	—	2878 350
	AFTER Type, Frnt.	Y	—	2	—	—	2	2	—	—	2879 393
	Rear	Y	—	—	—	—	2	2	—	—	2879 393
23-26-41	MOULDING, Roof Side Rail Garnish										
	Prime	B	—	1	—	—	—	—	—	—	2783 516-7
	Prime	B	—	—	—	1	—	—	—	—	2604 100-1
	Prime	L	—	1	—	—	—	—	—	—	2604 092-3
	Prime	R,W	1	—	—	—	—	—	—	—	2841 314-5
	Prime	R,W	—	1	—	1	—	—	—	—	2838 682-3
	Prime	P	1	—	—	—	—	—	—	—	2902 582-3
	Prime	P,D	—	—	—	1	—	1	—	—	2900 200-1
	Prime, Rr., Lwr	P,D	—	—	—	—	—	1	—	—	2902 794-5
	Prime, Rr., Lwr	P,D	1	—	—	—	—	—	—	—	2902 796-7
	Prime, Rr. Lwr.	P	—	—	—	1	—	—	—	—	2965 100-1
	Prime, Rr., Lwr.	C,Y	—	—	—	—	—	1	—	—	2900 308-9
	RETAINER, Frnt.	P,D,C,Y	AR	AR	—	—	—	AR	—	—	6002 620
	MOULDING, Roof Side Headlining										
	NOTE (1) See Exterior Moulding Illustrations in Illustration Catalog.										
	Prime, Frnt.	P,D,C	—	—	—	—	—	—	1	1	2894 508-9
	MOULDING and T/PLATE, Roof Side Rail Garnish										
	Prime	P,D,C,Y	—	1	—	—	—	—	—	—	2902 826-7
	Prime	C,Y	—	—	—	—	—	1	—	—	2902 768-9
23-26-43	MOULDING, Shelf Trim Panel	R,W	1	1	—	—	—	—	—	—	2877 139
	Rr.	P,D	1	—	—	1	—	1	—	—	2878 729
	Side	P	2	—	—	—	—	—	—	—	1323 EB7
	Side	P	2	—	—	—	—	—	—	—	1323 EX9
	Side	P	2	—	—	—	—	—	—	—	1323 ET8
	Side	P-M, P-P	—	—	—	2	—	2	—	—	1323 EB7
	Side	P-M, P-P	—	—	—	2	—	2	—	—	1323 EF8
	Side	P-M, P-P	—	—	—	2	—	2	—	—	1323 EX9
	Side	P-M, P-P	—	—	—	2	—	2	—	—	1323 ET8
	Side	P-M, P-P	—	—	—	2	—	2	—	—	1323 ER8
	Side	D-L, D-H	—	—	—	—	—	2	—	—	1323 EB7
	Side	D-L, D-H	—	—	—	—	—	2	—	—	1323 EF8

TYPE LETTERS Indicates B - Barracuda V - Valiant L - Dart R - Belvedere W - Coronet P - Plymouth D - Dodge C - Chrysler Y - Imperial

NUMERALS INDICATE: 21 - 2 DR. SED. 27 - CONV. CPE. 41 - 4 DR. SED. 45 - 6 PASS. STA. WGN.
23 - 2 DR. H.T. 29 - FAST BACK 43 - 4 DR. H.T. 46 - 9 PASS. STA. WGN.

AR Indicates use as required. Numerals in parentheses () refer to notes. Printed in U.S.A.
Indicates parts not listed in any previous parts book ★ Indicates change or addition. January 1971

Right and left part numbers are on same line, first number is right, second number is left.

CODE	PART NAME	MODEL CODES	SEE BOTTOM NOTE								PART NUMBER
			21	23	27	29	41	43	45	46	
23-26-0 TRIM FINISH MOULDINGS Cont'd.											
23-26-43 MOULDING Cont'd.											
	Side	D-L, D-H	—	—	—	—	—	2	—	—	1323 EX9
	Side	D-L, D-H	—	—	—	—	—	2	—	—	1323 ET8
	Side	D-L, D-H	—	—	—	—	—	2	—	—	1323 EY8
	Side	P	—	—	—	—	2	—	—	—	1327 EB7
	Side	P	—	—	—	—	2	—	—	—	1327 EF8
	Side	P	—	—	—	—	2	—	—	—	1327 EX9
	Side	P	—	—	—	—	2	—	—	—	1327 ER8
	Side	P	—	—	—	—	2	—	—	—	1327 ET8
	Side	D	—	—	—	—	2	—	—	—	1327 EB7
	Side	D	—	—	—	—	2	—	—	—	1327 EF8
	Side	D	—	—	—	—	2	—	—	—	1327 EX9
	Side	D	—	—	—	—	2	—	—	—	1327 ET8
	Side	D	—	—	—	—	2	—	—	—	1327 EY8
	Side	Y	—	—	—	—	2	—	—	—	1365 EB9
	Side	Y	—	—	—	—	2	—	—	—	1365 EF8
	Side	Y	—	—	—	—	2	—	—	—	1365 ET9
	Side	Y	—	—	—	—	2	—	—	—	1365 EM9
	Side	Y	—	—	—	—	2	—	—	—	1365 EQ8
	Side	Y	—	—	—	—	2	—	—	—	1365 EX9
23-26-45	MOULDING, Bucket Seat Cushion Side Shield	P-H, P-P, D-M	—	1	1	1	—	—	—	—	2858 902-3
		D-H	—	1	—	—	—	1	—	—	2858 902-3
	Canada	D-P	—	1	1	—	—	—	—	—	2858 902-3
		C-E, C-L,C-H	—	1	1	—	—	—	—	—	2858 902-3
		C-M	—	1	1	—	—	1	—	—	2858 902-3
	MOULDING, Bucket Seat Back Shield	P-H, P-P, D-M	—	2	2	2	—	—	—	—	2888 364-5
		D-H	—	2	—	—	—	2	—	—	2888 364-5
		C-E, C-L,C-H	—	2	2	—	—	—	—	—	2888 364-5
		C-M	—	2	2	—	—	2	—	—	2888 364-5
	Canada	D-P	—	2	2	—	—	—	—	—	2888 364-5
	MOULDING, Frt. Seat Side Shield	Y	—	—	—	—	1	—	—	—	2577 696
	Lwr., Rt.	Y	—	—	—	—	—	1	—	—	2609 204
	Lwr., Lt.	Y	—	—	—	—	1	1	—	—	2577 697
	Upr., Corner	Y	—	—	—	—	1	1	—	—	2888 498-9
23-26-47	MOULDING, Qtr. Trim Pnl. Finish	V-L	1	1	—	—	—	—	—	—	2787 782-3
	Upr., Ret.	B	—	—	—	1	—	—	—	—	2788 952-3
	Lwr., Prime	B	—	—	—	1	—	—	—	—	2783 358-9
	Upr., Ret., Chrome	R,W	1	1	—	—	—	—	—	—	2788 936-7
	Upr., Ret	W	—	—	—	1	—	—	—	—	2789 856-7
		W-M	—	—	—	—	—	—	—	—	—
		W-P,W-S	2	2	—	—	—	—	—	—	2878 322
		W-P,W-S	—	—	2	—	—	—	—	—	2878 914
		P-H	—	—	1	—	—	—	—	—	2878 278-9
		P-H	—	2	—	2	—	—	—	—	2879 256
		DH	—	2	—	—	—	—	—	—	2878 262
	Canada	D-P	—	2	—	—	—	—	—	—	2879 256
	Canada	D-P	—	—	1	—	—	—	—	—	2878 278-9
		C-M	—	2	—	—	—	—	—	—	2878 870
		C-M	—	—	2	—	—	—	—	—	2878 694
	MOULDING, Rear Compartment Security Pnl.	B	—	—	—	1	—	—	—	—	2839 172-3
	Side, Prime	B	—	—	—	1	—	—	—	—	2839 052-3
	Upr., Prime	B	—	—	—	1	—	—	—	—	—

TYPE LETTERS Indicates

B - Barracuda

V - Valiant
L - DartR - Belvedere
W - CoronetP - Plymouth
D - DodgeC - Chrysler
Y - Imperial

NUMERALS INDICATE:

21 - 2 DR. SED.

23 - 2 DR. H.T.

27 - CONV. CPE.

29 - FAST BACK

41 - 4 DR. SED.

43 - 4 DR. H.T.

45 - 6 PASS. STA. WGN.

46 - 9 PASS. STA. WGN.

AR Indicates use as required.

Indicates parts not listed in any previous parts book

Numerals in parentheses () refer to notes.

★ Indicates change or addition.

Printed in U.S.A.

January 1971

Right and left part numbers are on same line, first number is right, second number is left.

CODE	PART NAME	MODEL CODES	SEE BOTTOM NOTE								PART NUMBER
			21	23	27	29	41	43	45	46	
23-26-0 TRIM FINISH MOULDINGS Cont'd.											
23-26-47	MOULDING Cont'd.										
	MOULDING, Wheel House Inner Cvr. Pnl.	B	—	—	—	1	—	—	—	—	2839 102-3
23-26-58	CAP, Center Pillar Upr. Trim										
	Prime	V,L	—	—	—	—	2	—	—	—	2789 135
		R,W	—	—	—	—	2	—	—	—	2876 470
	CAP, Body Lock Pillar Upr. Trim										
	Prime	V	2	—	—	—	—	—	—	—	2789 134
	CAP, Body Center Pillar										
	Prime	P,D,C,Y	—	—	—	—	—	1	—	—	2894 920-1
23-26-74	MOULDING, Back of Frt. Seat Back Storage Compartment	Y	—	—	—	—	—	2	—	—	2888 646
23-26-75	BASE, Rear Seat Grille Medallion	Y	—	1	—	—	—	—	—	—	2656 961
	FINISH PLATE, Rear Seat Back	P-M,P-P	—	1	—	—	—	—	—	—	2942 445
		P-H	—	1	—	—	—	—	—	—	2942 504
		D-L	—	1	—	—	—	—	—	—	2942 446
		D-M	—	1	—	—	—	—	—	—	2942 447
		D-H	—	1	—	—	—	—	—	—	2942 448
	Canada	P-L	—	—	—	—	—	—	—	—	
		P-M,P-P	—	1	—	—	—	—	—	—	2942 445
	Canada	D-H,D-P	—	1	—	—	—	—	—	—	2942 448
23-26-76	MEDALLION, Seat Back										
	Frnt. and Rr.	V	AR	—	—	—	AR	—	—	—	2943 006
	Frnt. and Rr.	B	—	AR	AR	AR	—	—	—	—	2943 025
	Frnt. and Rr.	R-P, W-P	—	—	—	—	AR	—	—	—	2943 002
	Rr.	R-M,									
		R-P,R-S	1	1	—	—	1	—	—	—	2851 777
	Frnt. and RR.	W-P,W-S	—	AR	AR	—	AR	—	AR	AR	2943 002
	Frnt. and Rr.	W-M	AR	AR	—	—	—	—	—	—	2943 002
	Frnt., 2nd. and 3rd	W-H,W-P	—	—	—	—	—	—	AR	AR	2943 002
	Frnt. and Rr.	P-M	—	AR	AR	AR	AR	—	—	—	2943 018
	Frnt., 2nd and 3rd	P-M	—	—	—	—	—	—	AR	AR	2943 018
	Frnt. and Rr.	P-H	—	AR	AR	AR	—	—	—	—	2943 004
	Frnt. and Rr.	D-K,D-L	—	AR	—	—	AR	AR	—	—	2851 440
	Frnt. and Rr., Canada	D-H	—	AR	AR	—	AR	AR	AR	AR	2943 018
	Frnt. and Rr., Canada	D-P	—	AR	AR	—	—	—	—	—	2943 004
	Frnt. and Rr.	C-H	—	AR	—	—	AR	AR	—	—	2851 442
	Frnt. and Rr.	Y	—	AR	—	—	—	—	—	—	2943 001
23-26-77	MOULDING, Rear Seat Back										
	Upr.	B	—	—	—	1	—	—	—	—	2839 054
	Side, Upr.	B	—	—	—	1	—	—	—	—	2839 056-7
	Lwr.	B	—	—	—	1	—	—	—	—	2839 058
	Side, Lwr.	B	—	—	—	1	—	—	—	—	2839 466-7
23-26-80	NAME PLATE, Door Trim Pnl.										
	Frnt., "Dart Custom"	L-H	—	2	—	—	2	—	—	—	2894 998
	Frnt., "GT"	L-P	—	1	1	—	—	—	—	—	2894 994
	Frnt., "GT SPORT"	L-S	—	1	1	—	—	—	—	—	2894 996
	Frnt., "Fury II"	P-L	2	—	—	—	2	—	—	—	2879 172
	Frnt., "Custom SUBURBAN"	P-L	—	—	—	—	—	1	1	—	2879 173
	CANADA	P-L	2	2	—	—	2	—	—	—	2879 172
	Frnt., "Fury 111"	P-M	—	2	2	2	2	2	2	2	2878 300
	Frnt., "Sport Suburban"	P-M	—	—	—	—	—	—	2	2	2879 191
	"Sport Fury"	P-H	—	2	2	2	—	—	—	—	2788 485
	"V"	P-P	—	AR	—	AR	—	AR	—	—	2878 318
	"Y"	P-P	—	AR	—	AR	—	AR	—	—	2878 581
	"P"	P-P	—	AR	—	AR	—	AR	—	—	2878 582
	Frnt., "Polara"	D-K,D-T,									
		D-L,D-M	—	2	2	—	2	2	2	2	2878 157
	"POLARA 500" Canada	D-M	—	2	—	—	2	—	2	2	2879 174

TYPE LETTERS INDICATES:	B - Barracuda	V - Valiant L - Dart	R - Belvedere W - Coronet	P - Plymouth D - Dodge	C - Chrysler Y - Imperial
NUMERALS INDICATE:	21 - 2 DR. SED.	27 - CONV. CPE.	41 - 4 DR. SED.	45 - 6 PASS. STA. WGN.	
	23 - 2 DR. H.T.	29 - FAST BACK	43 - 4 DR. H.T.	46 - 9 PASS. STA. WGN.	

AR Indicates use as required. Numerals in parentheses () refer to notes. Printed in U.S.A.
 # Indicates parts not listed in any previous parts book. ★ Indicates change or addition. January 1971

Right and left part numbers are on same line, first number is right, second number is left.

CODE	PART NAME	MODEL CODES	SEE BOTTOM NOTE								PART NUMBER
			21	23	27	29	41	43	45	46	
23-26-0 TRIM FINISH MOULDINGS Cont'd.											
23-26-80 NAME PLATE Cont'd.											
	Fr., "MONACO"	D-H	—	2	—	—	2	2	2	2	2789 775
	"MONACO" Canada	D-H	—	2	2	—	2	2	2	2	2879 154
	"MONACO 500" Canada	D-P	—	2	2	—	—	—	—	—	2879 153
	Fr., "Custom"	C-L	—	2	—	—	2	2	—	—	2878 397
	NAME PLATE, Frt. Door Elect. Door Lock	P,D,C	2	2	2	—	2	2	2	2	2589 046
	MEDALLION, Door Trim Pnl.	W	—	—	—	2	—	—	—	—	2876 267
	FRONT	C-M	—	2	2	—	—	2	—	—	2878 395
	ORNAMENT, Door Trim Pnl.	R-P,R-S	—	2	2	—	—	—	2	2	2878 838
	FRONT	C-H	—	2	—	—	2	2	—	—	2879 524
	REAR	C-H	—	—	—	—	2	2	—	—	2878 836
	SWITCH PLATE, Frt. Door Arm Rest										
	w/Elect. Wdo. Lock and Wdo. Lift										
	Lt.	Y	—	1	—	—	1	1	—	—	2878 561
	Rt.	Y	—	1	—	—	1	1	—	—	2878 542
	w/Elect. Wdo. Lock, Wdo. Lift and Door Lock										
	Lt.	Y	—	1	—	—	1	1	—	—	2878 565
	Rt.	Y	—	1	—	—	1	1	—	—	2878 546
	w/Elect. Wdo. Lock, Wdo. Lift and Vent Wdo.										
	Lt.	Y	—	1	—	—	1	1	—	—	2878 563
	Rt.	Y	—	1	—	—	1	1	—	—	2878 544
	w/Elect. Wdo. Lock, Wdo. Lift, Vent Wdo. and Door Lock										
	Lt.	Y	—	1	—	—	1	1	—	—	2878 567
	Rt.	Y	—	1	—	—	1	1	—	—	2878 548
	SWITCH PLATE, Rear Door Arm Rest	Y	—	—	—	—	1	1	—	—	2878 568-9
	SWITCH PLATE, Qtr. Pnl. Arm Rest	Y	—	1	—	—	—	—	—	—	2878 570-1
23-26-82	NUT, Radio Speaker to Grille AM/FM Multiplex Radio	C,Y	—	8	8	—	8	8	8	8	1839 995
23-26-83	PANEL, Rear Seat Back Finish	B	—	—	—	1	—	—	—	—	2839 108
23-26-84	RETAINER, Seat Back Medallion	V	AR	—	—	—	AR	—	—	—	2943 007
	FRONT AND REAR	R-P	—	—	—	—	AR	—	—	—	2943 003
	FRONT AND REAR	W	AR	AR	AR	—	AR	—	—	—	2943 003
	FRONT AND 2ND SEAT BACK	W	—	—	—	—	—	—	AR	AR	2043 003
	FRONT AND 3RD SEAT BACK	W	—	—	—	—	—	—	AR	AR	2943 003
	REAR	B	—	6	6	6	—	—	—	—	2943 053
	REAR	R-M, R-P,R-S	1	1	—	—	1	—	—	—	2887 179
		P-M	—	AR	AR	AR	AR	AR	AR	AR	2943 019
		P-H	—	AR	AR	AR	—	—	—	—	2943 005
	CANADA	D-H	—	AR	AR	—	AR	AR	AR	AR	2943 019
	CANADA	D-P	—	AR	AR	—	—	—	—	—	2943 005
	FRONT	C-H	—	8	—	—	8	8	—	—	6027 269
	REAR	Y	—	2	—	—	—	—	—	—	2943 010
23-26-85	MOULDING, Folding Top Pocket Pnl. Upr. Finish	B,L	—	—	1	—	—	—	—	—	2787 948-9
23-26-87	MOULDING, Console Side Carpet										
	RIGHT	R-M, R-P,R-S	1	1	1	—	—	—	—	—	2656 842
	LEFT	R-M, R-P,R-S	1	1	1	—	—	—	—	—	2589 819
	RIGHT	W-m, W-P,W-S	—	1	1	1	—	—	—	—	2656 842
	LEFT	W-M, W-P,W-S	—	1	1	1	—	—	—	—	2589 819
	RIGHT	P-H, D-M,D-H	—	1	1	1	—	—	—	—	2656 842
	LEFT	P-H,									

TYPE LETTERS INDICATES	B - Barracuda	V - Valiant L - Dart	R - Belvedere W - Coronet	P - Plymouth D - Dodge	C - Chrysler Y - Imperial
NUMERALS INDICATE:	21 - 2 DR. SED. 23 - 2 DR. H.T.	27 - CONV. CPE. 29 - FAST BACK	41 - 4 DR. SED. 43 - 4 DR. H.T.	45 - 6 PASS. STA. WGN. 46 - 9 PASS. STA. WGN.	

AR Indicates use as required.

Numerals in parentheses () refer to notes.

Printed in U.S.A.

Indicates parts not listed in any previous parts book

★ Indicates change or addition.

January 1971

Right and left part numbers are on same line, first number is right, second number is left.

CODE	PART NAME	MODEL CODES	SEE BOTTOM NOTE								PART NUMBER
			21	23	27	29	41	43	45	46	
23-26-0	TRIM FINISH MOULDINGS Cont'd.										
23-26-87	MOULDING Cont'd.										
		D-M,D-H	—	1	1	1	—	—	—	—	2589 819
	Rt., Canada	D-M, D-H,D-P	—	1	1	—	—	—	—	—	2656 842
		D-M, D-H,D-P	—	1	1	—	—	—	—	—	2589 819
	Lt., Canada	C-E, C-M,C-H	—	1	1	—	—	—	—	—	2656 842
		C-E, C-M,C-H	—	1	1	—	—	—	—	—	2589 819
	Lt.	C-M	—	—	—	—	—	1	—	—	2656 842
	Rt.	C-M	—	—	—	—	—	6	—	—	2589 819
	Lt.	R-M	—	—	—	—	—	—	—	—	2657 101
	w/Manual Trans., Lt.	R-P,R-S	1	1	1	—	—	—	—	—	2657 101
		W-M, W-P,W-S	1	1	1	1	—	—	—	—	2657 101

23-31-0 PADS, LINERS, INSULATORS, SEALS, ANTI-SQUEAK

23-31-33	LINER, Dash										
	w/Heater and A/Cond.										
		Rt.	V,B,L	1	1	1	1	1	—	—	2664 976
	w/Heater, w/o A/Cond.,										
		Rt.	V,B,L	1	1	1	1	1	—	—	2664 972
	w/Heater and A/Cond.,										
		Upr.	V,B,L	1	1	1	1	1	—	—	2664 977
	w/Heater and A/Cond.,										
		Ctr.	V,B,L	1	1	1	1	1	—	—	2664 975
	w/ or w/o Heater and A/Cond.,										
		Lt.	V,B,L	1	1	1	1	1	—	—	2861 689
	w/Heater and A/Cond.,										
		Rt.	R,W	1	1	1	1	1	—	1	2588 756
	w/o Heater and A/Cond.,										
		Rt.	R,W	1	1	1	1	1	—	1	2861 596
	w/ or w/o Heater and A/Cond.,										
		Lt.	R,W	1	1	1	1	1	—	1	2588 755
	w/or w/o Heater and A/Cond.,										
		UP TO Type, Lt.	P,D,C,Y	1	1	1	—	1	1	1	2893 089
		AFTER Type, Lt.	P,D,C,Y	1	1	1	—	1	1	1	3440 730
	W/Heater and A/Cond.,										
		Rt.	P,D,C,Y	1	1	1	—	1	1	1	2893 086
	w/o Heater and A/Cond.,										
		Ctr.	P,D,C,Y	1	1	1	—	1	1	1	2893 090
23-31-137	SILENCER, Cowl Plenum Panel		P, D,C,Y	1	1	1	—	1	1	1	2895 241
23-31-146	SEAL, w/FASTENER, Dash Panel to Fender										
	Splash Shield										
		Lwr.	V	2	—	—	—	2	—	—	2663 132
		Lwr.	B	—	2	2	2	—	—	—	2811 024
		Lwr.	L	—	2	2	—	2	—	—	2663 133
		Lwr.	R,W	2	2	2	2	2	—	2	2811 631
		Upr.	R,W	1	1	1	—	1	—	1	2861 824-5
		Upr.	W	—	—	—	1	—	—	—	2861 826-7
	FASTENER, Dash Pnl. to Fender Side										
	Shield Upr. Seal		R,W	16	16	16	16	16	—	16	2898 909
	FASTENER, Cowl Top Pnl. to Inst.										
	Panel Filler		C,Y	—	5	5	—	5	5	—	2898 909
	RETAINER, Qtr. Pnl. End Ext. to Bumper										
	Seal		P,D,C	—	—	—	—	—	—	4	2898 909
	RETAINER, Rear Bumper to Seal		Y	—	16	—	—	16	16	—	2898 909

TYPE LETTERS Indicates	B - Barracuda	V - Valiant L - Dart	R - Belvedere W - Coronet	P - Plymouth D - Dodge	C - Chrysler Y - Imperial
NUMERALS INDICATE:	21 - 2 DR. SED. 23 - 2 DR. H.T.	27 - CONV. CPE. 29 - FAST BACK	41 - 4 DR. SED. 43 - 4 DR. H.T.	45 - 6 PASS. STA. WGN. 46 - 9 PASS. STA. WGN.	

AR Indicates use as required. Numerals in parentheses () refer to notes. Printed in U.S.A.
 # Indicates parts not listed in any previous parts book. ★ Indicates change or addition. January 1971
 Right and left part numbers are on same line, first number is right, second number is left.

CODE	PART NAME	MODEL CODES	SEE BOTTOM NOTE								PART NUMBER
			21	23	27	29	41	43	45	46	
23-31-0 PADS, LINERS, INSULATORS, SEALS, ANTI-SQUEAK Cont'd.											
23-31-146	SEAL Cont'd.										
	RETAINER, Rear Tailgate Opng. Sill Pnl. to Bumper Seal	P,D,C	—	—	—	—	—	—	9	9	2898 909
	RETAINER, Tailgate Sill Hge. Pivot to Bumper Seal	P,D,C	—	—	—	—	—	—	4	4	2898 909
23-31-205	SILENCER, Roof Panel 1/2" x 25 1/2" x 67"	All	AR	AR	AR	AR	AR	AR	AR	AR	1774 621
23-32-0 PANS, PLUGS AND BODY BUMPERS											
23-32-6	BRACE, w/GUSSET, Frt. Floor Pan No.1 Hold-Down	P,D,C,Y	1	1	1	—	1	1	1	1	2859 806-7
	BRACE, Frt. Floor Pan Body Hold-Down	Comp									
		Y	—	1	—	—	1	1	—	—	2895 810-1
23-32-10	PLATE, Rear Crossmember Bumper Mtg.	R,W	1	1	1	—	1	—	—	—	2840 410-1
23-32-15	PLUG, Floor Pan										
	1/2" Hole	All	AR	AR	AR	AR	AR	AR	AR	AR	2094 984
	1/2" Hole	R,W,									
		P,D,C,Y	AR	AR	AR	—	AR	—	AR	AR	2093 945
	1/2" Hole	P,D,C,Y	AR	AR	AR	—	AR	AR	AR	AR	1878 752
	3/4" Hole	P,D,C	AR	AR	AR	—	AR	AR	AR	AR	2574 792
	1" Hole	All	AR	AR	AR	AR	AR	AR	AR	AR	2480 957
	1" Hole	All	AR	AR	AR	AR	AR	AR	AR	AR	2094 985
	1 3/4" Hole	All	AR	AR	AR	AR	AR	AR	AR	AR	2189 098
	1 3/4" Hole	R,W	AR	AR	AR	AR	AR	—	AR	AR	2189 375
		P,D,C,Y	AR	AR	AR	AR	AR	AR	AR	AR	2189 375
	1 3/4" Hole	All	AR	AR	AR	AR	AR	AR	AR	AR	2424 864
	2 1/2" Hole	All	AR	AR	AR	AR	AR	AR	AR	AR	2189 093
	2 1/2" Hole	V,B,L	AR	AR	AR	AR	AR	—	—	—	2483 571
	2 1/2" Hole	P,D,C,Y	AR	AR	AR	—	AR	AR	AR	AR	2083 111
		R,W,									
		P,D,C	—	—	—	—	—	—	AR	AR	2861 730
	1 1/4" x 3 1/4" Hole	P,D,C,Y	AR	AR	AR	—	AR	AR	AR	AR	2664 330
	D Shaped Hole	All	AR	AR	AR	AR	AR	AR	AR	AR	2484 575
23-32-17	CROSSMEMBER, Front Suspension										
	Use w/170 and 225 Eng.	Comp.	V,B,L	1	1	1	1	1	—	—	2962 082
	Use w/273 and 318 Eng.	Comp.	V,B,L	1	1	1	1	1	—	—	2925 976
	Use w/340 Eng.	Comp.	B,L	—	1	1	1	1	—	—	2925 976
	Use w/383 Eng.	Comp.	B,L	—	1	1	1	1	—	—	2925 946
	Use w/225 Eng.	Comp.	R,W	1	1	1	1	1	—	1	2925 932
	Use w/318, 383, and 440 Eng.	Comp.	R,W	1	1	1	1	1	—	1	2925 930
	Use w/426 Eng., w/SKID	Comp.	R,W	1	1	1	1	1	—	1	2925 934
	CROSSMEMBER, Torsion Bar Anchor	Comp.	V,B,L	1	1	1	1	1	—	—	2769 303
	CROSSMEMBER, Front Side Rail Front		V,B,L	1	1	1	1	1	—	—	2768 490
	CROSSMEMBER, Center Floor Pan Ext. to Center Floor Pan	Lt.	P,D,C,Y	1	1	1	1	1	1	1	2526 953
		Rt.	P,D,C,Y	1	1	1	1	1	1	1	2900 844
	CROSSMEMBER, Rear Floor Pan Rear		R,W	—	—	—	—	—	1	1	2860 356
			P,D,C	—	—	—	—	—	1	1	2894 456
	CROSSMEMBER, Rear Floor Pan Rear Center		V,B,L	1	1	1	1	1	—	—	2838 999
	CROSSMEMBER and REINFORCEMENT, Rear Floor Pan Rear		R,W	1	1	1	1	1	—	—	2859 282
			P,D,C,Y	1	1	1	—	1	1	—	3417 089
	CROSSMEMBER and REINFORCEMENT, Rear Floor Pan Rear Shock Absorber		R,W	1	1	1	1	1	—	1	2934 451
			P,D,C,Y	1	1	1	—	1	1	1	2769 759
	CROSSMEMBER and REINFORCEMENT, Floor Pan Rear Center Pan Shock Absorber		V,B,L	1	1	1	1	1	—	—	2859 409

TYPE LETTERS Indicates	B - Barracuda	V - Valiant L - Dart	R - Belvedere W - Coronet	P - Plymouth D - Dodge	C - Chrysler Y - Imperial
NUMERALS INDICATE:	21 - 2 DR. SED. 23 - 2 DR. H.T.	27 - CONV. CPE. 29 - FAST BACK	41 - 4 DR. SED. 43 - 4 DR. H.T.	45 - 6 PASS. STA. WGN. 46 - 9 PASS. STA. WGN.	

AR Indicates use as required.

Indicates parts not listed in any previous parts book

Numerals in parentheses () refer to notes.

★ Indicates change or addition.

Printed in U.S.A.

January 1971

Right and left part numbers are on same line, first number is right, second number is left.

CODE	PART NAME	MODEL CODES	SEE BOTTOM NOTE								PART NUMBER
			21	23	27	29	41	43	45	46	
23-32-0 PANS, PLUGS and BODY BUMPERS Cont'd.											
23-32-17	CROSSMEMBER Cont'd. EXTENSION, Rear Floor Pan Rear Crossmember	V,L R,W R,W P,D,C,Y P,D,C	1	1	1	—	1	—	—	—	2603 620-1 2840 536-7 2860 296-7 2900 016-7 2894 184-5
	CROSSMEMBER and ANCHORS, Torsion Bar Anchor	R,W	1	1	1	1	1	—	1	1	2576 512
	CROSSMEMBER, Frt. Side Rail Frt. and Yoke Attaching Brkts.	R,W	1	1	1	1	1	—	1	1	2576 505
23-32-18	SCREW and WASHER, Front Suspension Crossmember	V,B, L,R,W	4	4	4	4	4	—	4	4	2467 693
	BOLT, Front Suspension Crossmember	V,B, L,R,W	AR	AR	AR	AR	AR	—	AR	AR	2074 394
23-32-19	REINFORCEMENT, Rear Floor Pan Rear Shock Absorber Crossmember	R,W	1	1	1	1	1	—	1	1	2963 487
	REINFORCEMENT, Rear Shock Absorber Crossmember Tail Pipe Mtg., Rt.	P,D,C,Y	1	1	1	1	1	1	1	1	2784 606
	REINFORCEMENT, Rear Shock Absorber Crossmember (w/1" Heavy Duty Frt. and Rr. Shocks) Canada	P,D	4	4	4	4	4	4	4	4	2648 869
23-32-20	LOCKWASHER, Front Suspension Crossmember Bolt	V,B, L,R,W	AR	AR	AR	AR	AR	—	AR	AR	2074 386
23-32-22	PAN, Front Floor	V,B L	1	1	1	1	1	—	—	—	2604 160 2603 600
		R,W	1	1	1	1	1	—	1	1	2900 800
23-32-24	PAN And P/NUT, Frt. Floor	P,D,C,Y	1	1	1	1	1	1	1	1	2900 937
	PAN, Center Floor	V,B,L	1	1	1	1	1	—	—	—	2842 080
		R,W	1	1	1	1	1	—	—	—	2900 801
	w/NUT	R,W	—	—	—	—	—	—	1	1	2894 517
		P,D,C,Y	1	1	1	1	1	—	—	—	2900 842
		P,D,C	—	—	—	—	—	—	1	1	2894 450
23-32-25	EXTENSION, Center Floor Pan	L	—	1	1	—	1	—	—	—	2604 166-7
	Fr.	R,W	1	1	1	1	1	—	1	1	2900 856-7
	Fr., Rt.	P	1	1	1	1	1	—	—	—	2902 890
	Lt.	P	1	1	1	1	1	—	—	—	2481 401
	Fr., Rt.	D	—	1	1	—	1	1	—	—	2902 892
	Lt.	D	—	1	1	—	1	1	—	—	2481 813
	Fr., Rt.	C,Y	—	1	1	—	1	1	—	—	2900 846
	Lt.	C,Y	—	1	1	—	1	1	—	—	2481 403
	Fr., Rt.	P,D,C	—	—	—	—	—	—	1	1	2902 892
	Lt.	P,D,C	—	—	—	—	—	—	1	1	2481 813
23-32-27	REINFORCEMENT, Frt. Floor Pan Seat Guide	Fr. V,B,L Rr. V,B,L Fr. R,W Rr. R,W	1	1	1	1	1	—	—	—	2603 606-7 2603 608-9 2527 114-5 2527 116-7
	REINFORCEMENT, Frt. Floor Pan Seat Attaching	Fr. R-M, R-P,R-S Fr. W-M, W-P,W-S Rr. R-M, R-P,R-S	1	1	1	—	—	—	—	—	2574 800-1 2574 800-1 2574 802-3

TYPE LETTERS Indicates	B - Barracuda	V - Valiant L - Dart	R - Belvedere W - Coronet	P - Plymouth D - Dodge	C - Chrysler Y - Imperial
NUMERALS INDICATE:	21 - 2 DR. SED. 23 - 2 DR. H.T.	27 - CONV. CPE. 29 - FAST BACK	41 - 4 DR. SED. 43 - 4 DR. H.T.	45 - 6 PASS. STA. WGN.	46 - 9 PASS. STA. WGN.

AR Indicates use as required. Numerals in parentheses () refer to notes. Printed in U.S.A.
 # Indicates parts not listed in any previous parts book ★ Indicates change or addition. January 1971
 Right and left part numbers are on same line, first number is right, second number is left.

1969 PASSENGER CAR PARTS CATALOG

BODY

CODE	PART NAME	MODEL CODES	SEE BOTTOM NOTE							PART NUMBER		
			21	23	27	29	41	43	45		46	
23-32-0 PANS, PLUGS and BODY BUMPERS Cont'd.												
23-32-27	REINFORCEMENT Cont'd.											
		Rr.	W-M, W-P,W-S	—	1	1	1	1	—	1	1	2574 802-3
	REINFORCEMENT, Frt. Floor Pan Seat Track Frt. Crossmember Ctr.		Y	—	1	—	—	—	1	—	—	2842 966
	REINFORCEMENT, Frt. Floor Pan Seat Track Frt. Crossmember End		Y	—	1	—	—	—	1	—	—	2842 964-5
	REINFORCEMENT, Frt. Floor Pan Seat Track Rear Crossmember		Y	—	1	—	—	—	1	—	—	2842 540
23-32-29	COVER, Frt. Floor Pan Gear Shift Opng. Use w/4 Speed Manual Trans.		V,B,L R,W	1	1	1	1	1	—	—	—	2784 440 2574 805
23-32-31	BRACE, Frt. Crossmember to Frt. Suspension Crossmember		V,B,L R,W	1	1	1	1	1	—	—	—	2768 492 2530 683
23-32-46	SCREW and WASHER PANEL, Center Floor Pan Cover		R,W B R,W	2	2	2	2	2	—	2	2	6025 333 2783 318 2859 880
	PANEL and SUPPORT, Center and Rear Floor Pan Cover		P,D,C	—	—	—	—	—	—	1	1	2934 198
23-32-48	PAN, Rear Floor		V,B,L R,W W R,W	1	1	1	1	1	—	—	—	2841 172 2838 707 2840 343 2860 810
		Frt. Rr.	R,W R,W P,D,C,Y P,D,C	—	—	—	—	—	—	1	1	2895 348 2900 783 2481 824
	PANEL, Rear Floor Pan		R,W	—	—	—	—	—	—	1	1	2860 094
		Side, Upr., Rt. Lt.	R,W R,W	—	—	—	—	—	—	1	1	2861 605
		Side, Upr. Rr.	P,D,C P,D,C	—	—	—	—	—	—	1	1	2894 584-5 2484 064
23-32-49	EXTENSION, Rear Floor Pan		P,D,C	—	—	—	—	—	—	1	1	2860 142-3
		Side Side, Upr. Pnl.	R,W P,D,C	—	—	—	—	—	—	1	1	2860 142-3 2894 582-3
	EXTENSION, Qtr. Pnl. Rear Floor Side		B W P D C,Y	—	1	1	1	—	—	—	—	2784 036-7 2838 002-3 2900 466-7 2900 468-9 2900 552-3
23-32-51	BUMPER, Rear Floor Pan Cover Panel		R,W	—	—	—	—	—	—	—	4	2094 618
	BUMPER, Rear Floor Pan Side Upper Panel		R,W	—	—	—	—	—	—	—	4	2861 934
	BUMPER, Rear Floor Tailgate Opening Sill Panel		R,W	—	—	—	—	—	—	—	2	2861 934
	BUMPER, Tailgate Opening Sill Reinforcement Floor Pan Cover		R,W	—	—	—	—	—	—	—	2	2255 231
	BUMPER, Rear Floor Pan Cover Panel Release Handle		R,W	—	—	—	—	—	—	1	—	2765 393
	BUMPER, Center Floor Pan Cover Panel		R,W	—	—	—	—	—	—	13	—	2811 861
	BUMPER, Center Floor Pan to 2nd Seat Cover Panel		R,W	—	—	—	—	—	—	2	2	2664 268
	BUMPER, Rear Floor Pan Cover		P,D,C	—	—	—	—	—	—	2	—	2895 196
	BUMPER, Center and Rear Floor Pan Cover Panel 2nd. Seat Back Support Panel		P,D,C	—	—	—	—	—	—	8	8	2664 681
	BUMPER, Center and Rear Floor Pan Cover Panel 2nd. Seat Back		P,D,C	—	—	—	—	—	—	2	2	2276 804
	BUMPER, Rear Floor Pan Side Upr. Pnl. Extension		P,D,C	—	—	—	—	—	—	2	2	1943 547

TYPE LETTERS INDICATES	B - Barracuda	V - Valiant L - Dart	R - Belvedere W - Coronet	P - Plymouth D - Dodge	C - Chrysler Y - Imperial
NUMERALS INDICATE:	21 - 2 DR. SED. 23 - 2 DR. H.T.	27 - CONV. CPE. 29 - FAST BACK	41 - 4 DR. SED. 43 - 4 DR. H.T.	45 - 6 PASS. STA. WGN. 46 - 9 PASS. STA. WGN.	

AR Indicates use as required.

Indicates parts not listed in any previous parts book

Numerals in parentheses () refer to notes.

★ Indicates change or addition.

Printed in U.S.A.

January 1971

Right and left part numbers are on same line, first number is right, second number is left.

CODE	PART NAME	MODEL CODES	SEE BOTTOM NOTE							PART NUMBER	
			21	23	27	29	41	43	45		46
23-32-0 PANS, PLUGS AND BODY BUMPER Cont'd.											
23-32-52	BRACKET, Rear Floor Pan Bumper Impact	W	—	—	—	1	—	—	—	—	2840 382-3
23-32-56	PANEL, w/Tee NUTS, Rear Floor Pan Cover	R,W	—	—	—	—	—	—	1	—	2254 788
	COVER, Rear Floor Pan Complete										
	w/o Wgn. Cargo Compt. Dressup	P,D-L	—	—	—	—	—	—	1	—	3417 003
	w/Wgn. Cargo Compt. Dressup	P,D-L, D-H,C	—	—	—	—	—	—	1	—	3417 004
23-32-57	HOUSING, Rear Floor Pan Cover Panel										
	Release Handle										
	Use w/Rear Compt. Lock	R,W	—	—	—	—	—	—	1	—	2583 616
23-32-58	STRIKER, Rear Floor Cover Panel										
	Use w/Rear Compt. Lock	R,W	—	—	—	—	—	—	1	—	2254 667
	STRIKER, Rear Floor Pan Cover Panel										
	Release Handle	P,D,C	—	—	—	—	—	—	1	—	2486 846
23-32-61	SCREW, Center Floor Pan Cover Panel										
	Bumper	R,W	—	—	—	—	—	—	13	—	2496 153
23-32-65	HINGE, Rear Floor Pan Cover Pnl.	R,W	—	—	—	—	—	—	1	—	2254 675
		P,D,C	—	—	—	—	—	—	1	—	2481 811
23-32-70	SUPPORT, w/NUT, Center Floor Pan										
	Cover Pnl. to Rear Floor	B	—	—	—	1	—	—	—	—	2604 175
23-32-79	BRACKET, w/RETAINER, Rear Floor Pan										
	Cover Pnl. Prop Rod	R,W	—	—	—	—	—	—	1	—	2254 810
23-32-80	HANDLE, Rear Floor Pan Cover Panel										
	Release										
	Use w/Rear Compt. Lock	R,W	—	—	—	—	—	—	1	—	2583 010
		P,D,C	—	—	—	—	—	—	1	—	2486 844
	HANDLE, Rear Floor Pan Cover Inner										
	Rear Panel	P,D,C	—	—	—	—	—	—	1	—	2895 262
23-32-82	BEZEL, Rear Floor Pan Cover Panel Grip										
	Use w/Rear Compt. Lock	R,W	—	—	—	—	—	—	1	—	2252 183
23-32-84	SHIM, Rear Floor Pan Cover Panel										
	Release Handle	P,D,C	—	—	—	—	—	—	AR	—	2802 998
23-32-87	SPRING, Rear Floor Pan Cover Panel										
	Release										
	Use w/Rear Compt. Lock	R,W	—	—	—	—	—	—	1	—	2251 676
	SPRING, Rear Floor Pan Cover Panel										
	Release Handle										
	Use w/Rear Compt. Lock	R,W	—	—	—	—	—	—	1	—	2945 442
	SPRING, 3rd. Seat Back Release Handle										
	Inner										
	Use w/Rear Compt. Lock	R,W	—	—	—	—	—	—	1	—	2945 442
23-32-88	ROD, Rear Floor Pan Cover Prop	R,W	—	—	—	—	—	—	1	—	1960 061
23-32-93	SUPPORT and T/PLATE, Rear Floor Pan										
	Rear Suspension Frt. Hanger Brkt	V,B,L	1	1	1	1	1	—	—	—	2081 004-5
	SUPPORT, Rear Floor Pan Rear Suspension										
	Rear Hanger Brkt.	R,W	1	1	1	1	1	—	—	—	2602 294-5
		R,W	—	—	—	—	—	—	1	1	2588 294-5
	SUPPORT, Rear Floor Pan Rear Suspension										
	Rear Brkt.	P,D,C,Y	1	1	1	1	1	1	1	1	2782 668-9
	SUPPORT, Center Floor Pan Rear										
	Suspension Frt. Brkt.	R,W	1	1	1	1	1	—	1	1	2527 120-1
	SUPPORT and NUT, Center Floor Pan										
	Rear Suspension Frt. Brkt.	P,D,C	—	—	—	—	—	—	1	1	2894 452-3
	SUPPORT, Rear Floor Pan Spare Wheel										
	and Anti-Rattler										
	CANADA	P,D,C	1	1	—	1	1	1	—	—	2965 118
	BRACKET, Rear Floor Pan Rear Suspension										
	Hanger	R,W	—	—	—	—	—	—	1	1	2588 296-7
	w/SLEEVE	W	1	1	1	1	1	—	—	—	2576 754-5

TYPE LETTERS Indicates	B - Barracuda	V - Valiant L - Dart	R - Belvedere W - Coronet	P - Plymouth D - Dodge	C - Chrysler Y - Imperial
NUMERALS INDICATE:	21 - 2 DR. SED. 23 - 2 DR. H.T.	27 - CONV. CPE. 29 - FAST BACK	41 - 4 DR. SED. 43 - 4 DR. H.T.	45 - 6 PASS. STA. WGN. 46 - 9 PASS. STA. WGN.	

AR Indicates use as required. Numerals in parentheses () refer to notes. Printed in U.S.A.
 # Indicates parts not listed in any previous parts book. ★ Indicates change or addition. January 1971
 Right and left part numbers are on same line, first number is right, second number is left.

CODE	PART NAME	MODEL CODES	SEE BOTTOM NOTE								PART NUMBER
			21	23	27	29	41	43	45	46	
23-32-0 PANS, PLUGS and BODY BUMPERS Cont'd.											
23-32-93	SUPPORT Cont'd.										
	T/PLATE, Rear Floor Pan Rear Suspension Hanger Brkt.	R,W	—	—	—	—	—	—	2	2	2588 899
	PLATE and NUT, Rear Floor Pan Rear Suspension Rear Brkt. Mtg.	P,D,C,Y	1	1	1	1	1	1	1	1	2783 704-5
23-32-98	PLUG, Dash Panel Heater Hose Hole	V,B,L, R,W	2	2	2	2	2	—	2	2	2094 985
23-32-105	RAIL and Frt. Hanger GUSSET, Rear Floor Pan Side	V,B,L	1	1	1	1	1	—	—	—	2859 402-3
	RAIL and SUPPORT, Sill Reinf. Rr. Floor Pan Side	R W R-W	1 1 —	1 1 —	1 1 —	— 1 —	— 1 —	— — —	— — 1	— — 1	2934 600-1 2934 602-3 2934-604-5
	RAIL and Sill REINFORCEMENT, Rear Floor Pan Side	P P,D,C D,C,Y	1 — —	1 — 1	1 — 1	1 — —	1 — 1	1 — 1	— 1 —	— 1 —	2934 690-1 2859 782-3 2934 692-3
	RAIL, Frt. Side	V,B,L R,W	1 1	1 1	1 1	1 1	1 1	— —	— 1	— 1	2769 306-7 2576 506-7
23-32-106	RETAINER, Rear Floor Pan Spare Tire Cover Pnl.	V,B,L	1	1	1	1	1	—	—	—	2259 173
23-32-107	SUPPORT, Rear Floor Pan Cover	P,D,C	—	—	—	—	—	—	2	—	2895 195
23-32-110	SHIELD, Frt. Suspension Crossmember to Frt. Side Rail Splash	V,B,L, R,W	1	1	1	1	1	—	—	—	2800 658-9
23-32-112	REINFORCEMENT, Rear Suspension Front Bracket Support										
	To Sill	R,W	1	1	1	1	1	—	1	1	2527 138-9
	To Sill	P,D,C,Y	1	1	1	1	1	1	—	—	2481 404-5
	To Sill	P,D,C	—	—	—	—	—	—	1	1	2894 476-7
	To Rail	R,W	1	1	1	1	1	—	1	1	2527 118-9
	To Rail	P,D,C,Y	1	1	1	1	1	1	—	—	2481 406-7
	REINFORCEMENT, Rear Floor Pan Rear Suspension Frt. Brkt. Support										
	To Rail	P,D,C	—	—	—	—	—	—	1	1	2894 472-3
	REINFORCEMENT, Ctr. Floor Pan to Inner Sill and Rr. Rail and Spring Hanger Support	B,L B,L-S	— —	— 1	1 —	— 1	— —	— —	— —	— —	2604 902-3 2604 902-3
	REINFORCEMENT, Ctr. Floor Pan Spring Hanger Brkt	R,W	1	1	1	1	1	—	—	—	2573 368-9
	REINFORCEMENT, Frt. Floor Pan Sill to Rail	R,W	—	—	1	—	—	—	—	—	2602 930-1
	REINFORCEMENT, Ctr. Floor Pan Spring Hanger Brkt.	P D,C	— —	— —	1 1	— —	— —	— —	— —	— —	2527 818-9 2481 834-5
23-32-115	REINFORCEMENT, Frt. Side Rail to Side Sill Inner	V,B,L R,W	1 1	1 1	1 1	1 1	— —	— 1	— 1	— 1	2603 610-1 2527 104-5
	REINFORCEMENT, Frt. Side Rail Frt.	V,B,L R,W	1 1	1 1	1 1	1 1	— —	— —	— —	— —	2768 486-7 2530 666-7
	REINFORCEMENT, Rear Side Rail to Rear Crossmember	Rt. Lt. R,W R,W	— — — —	— — — —	— — — —	— — — —	— — — —	— — — —	1 1 1 1	1 1 1 1	2573 272 2860 355
23-32-116	EXTENSION, Frt. Side Rail to Side Sill Inner Reinf.	R,W	1	1	1	1	1	—	1	1	2574 144-5

TYPE LETTERS Indicates	B - Barracuda	V - Valiant L - Dart	R - Belvedere W - Coronet	P - Plymouth D - Dodge	C - Chrysler Y - Imperial
NUMERALS INDICATE:	21 - 2 DR. SED. 23 - 2 DR. H.T.	27 - CONV. CPE. 29 - FAST BACK	41 - 4 DR. SED. 43 - 4 DR. H.T.	45 - 6 PASS. STA. WGN. 46 - 9 PASS. STA. WGN.	

AR Indicates use as required.

Indicates parts not listed in any previous parts book

Numerals in parentheses () refer to notes.

★ Indicates change or addition.

Printed in U.S.A.

January 1971

Right and left part numbers are on same line, first number is right, second number is left.

CODE	PART NAME	MODEL CODES	SEE BOTTOM NOTE								PART NUMBER
			21	23	27	29	41	43	45	46	
23-33-0 INSTRUMENT PANEL											
23-33-10	SUPPORT, Instrument Panel Lower Reinforcement to Cowl Panel	P,D,C,Y	1	1	1	—	1	1	1	1	2927 632
	BRACE, Instrument Panel Lower Reinforcement to Top Support	V,B,L	1	1	1	1	1	—	—	—	2889 625
23-33-12	PLATE, Radio Control Opening Cover	B V-H	—	1	1	1	—	—	—	—	2927 725 2864 739
23-33-16	COVER, A/Conditioning Spot Cooler Hole	P	1	1	1	—	1	1	1	1	2927 776
23-33-20	COVER, Instrument Panel Clock or Tachometer Hole	R,W	1	1	1	—	1	—	1	1	2857 019
	COVER, Clock, Tachometer or Vacuum Gage Hole	B	—	1	1	1	—	—	—	—	2857 726
	COVER, Clock Hole	P-K,P-T, P-E,P-L	1	—	—	—	1	—	1	1	2927 081
		D	—	1	1	—	1	1	1	1	2927 120
		C	—	1	1	—	1	1	1	1	2927 240
23-33-42	GRILLE, Instrument Panel Stereo Speaker Used w/A/M Radio with Stereo Player and A/M, F/M Multiplex Radio	P D	1	1	1	—	1	1	1	1	2884 444-5 2884 426-7
	Used w/A/M, F/M Multiplex Radio also w/Stereo Player	Rt. C,Y Lt. C,Y	—	1	1	—	1	1	1	1	2884 408 2884 404
	Used w/A/M Radio w/Stereo Player	R,W	2	2	2	2	2	—	2	2	2864 714
	GRILLE, Instrument Panel Radio Speaker and Defroster	C,Y	—	1	1	—	1	1	1	1	2927 147
23-33-43	PLATE, Instrument Panel Stereo Radio Speaker and Grille Mounting	P,D	—	2	2	—	2	2	2	2	2884 267
23-33-45	GASKET, Anti-rattle Grille to Bezel	C,Y	—	2	2	—	2	2	2	2	2884 667
23-33-65	PLATE, Heater Control Opening Cover	B	—	1	1	1	—	—	—	—	2857 673
	PLATE, Heater Fan Switch Opening Cover	B	—	1	1	1	—	—	—	—	2927 280
	COVER, Heater Control Opening	D	—	1	1	—	1	1	1	1	2884 441
	COVER, Switch Opening w/o Rear Seat Heater and Defroster, Rear Window Defogger and A/Cond.	C	—	1	1	—	1	1	1	1	2927 239
	COVER, Instrument Panel Trim Bezel w/o Heater or A/Cond.	P	1	1	1	—	1	1	1	1	2884 440
	COVER, Heater and A/Conditioning Control Opening	Dark Blue R,W Green R,W Red R,W Tan R,W Gold R,W Black R,W	1	1	1	1	1	—	1	1	4221 EB7 4221 EF8 4221 ER8 4221 ET8 4221 EY8 4221 DX9
23-33-86	MOULDING, Instrument Panel	R-H,R-P,									

TYPE LETTERS Indicates	B - Barracuda	V - Valiant L - Dart	R - Belvedere W - Coronet	P - Plymouth D - Dodge	C - Chrysler Y - Imperial
NUMERALS INDICATE:	21 - 2 DR. SED. 23 - 2 DR. H.T.	27 - CONV. CPE. 29 - FAST BACK	41 - 4 DR. SED. 43 - 4 DR. H.T.	45 - 6 PASS. STA. WGN. 46 - 9 PASS. STA. WGN.	

AR Indicates use as required. Numerals in parentheses () refer to notes. Printed in U.S.A.
 # Indicates parts not listed in any previous parts book. ★ Indicates change or addition. January 1971

Right and left part numbers are on same line, first number is right, second number is left.

CODE	PART NAME	MODEL CODES	SEE BOTTOM NOTE						PART NUMBER		
			21	23	27	29	41	43		45	46
23-33-0 INSTRUMENT PANEL Cont'd.											
23-33-86	MOULDING Cont'd.										
	Center	R-S,W-H, W-P,W-S	1	1	1	—	1	—	1	1	2889 028-9
		R-H,R-P, R-S,W-H, W-P,W-S	1	1	1	—	1	—	1	1	2889 030
23-33-92	SPACER, Instrument Panel Center Moulding Attaching	R,W	6	6	6	—	6	—	6	6	2889 501
23-33-96	NAME PLATE, Instrument Panel "Road Runner"	R-M	1	1	1	—	—	—	—	—	2785 877
23-33-107	DECAL, Instrument Panel Bird	R-M	1	1	1	—	—	—	—	—	2984 392
23-33-109	PANEL, Instrument	V	1	—	—	—	1	—	—	—	2984 641
		B	—	1	1	1	—	—	—	—	2984 642
		L	—	1	1	—	1	—	—	—	2984 643
		R	1	1	1	—	1	—	1	1	2927 580
	w/ or w/o A/Cond.	W-K, W-L, W-T,W-H, W-P,W-S	1	1	1	—	1	—	1	1	2927 580
	w/or w/o A/Cond., w/o Rallye Inst. Pnl.	W-P,W-S	1	1	1	—	—	—	—	—	2927 582
	w/o A/Cond., w/Rallye Instrument Panel	W-M, W-P, W-S	1	1	—	—	—	—	—	—	2927 582
	w/or w/o A/Cond.	P	1	1	1	—	1	1	1	1	2927 427
	w/A/Cond.	P	1	1	1	—	1	1	1	1	2927 002
	w/oA/Cond.	D	1	1	1	—	1	1	1	1	2927 421
	w/or w/o A/Cond.	C	—	1	1	—	1	1	1	1	2927 859
	w/Stereo	C	—	1	1	—	1	1	1	1	2927 868
	w/o A/Cond. or Stereo	C	—	1	1	—	1	1	1	1	2927 863
	w/A/Cond.	C	—	1	1	—	1	1	1	1	2927 861
	w/Stereo and A/Cond.	Y	—	1	—	—	1	1	—	—	2927 863
	w/A/Cond.	Y	—	1	—	—	1	1	—	—	2927 859
	w/Stereo	Y	—	1	—	—	1	1	—	—	2927 861
	w/Stereo and A/Cond.	Y	—	1	—	—	1	1	—	—	2927 868
	w/o Stereo or A/Cond	Y	—	1	—	—	1	1	—	—	2927 868
23-33-132	COVER, Instrument Panel Steering Column Opening										
	Blue	V,B,L	1	1	1	1	1	—	—	—	4229 EB7
	Green	V,B,L	1	1	1	1	1	—	—	—	4229 EF8
	Red	V,B,L	1	1	1	1	1	—	—	—	4229 ER8
	Tan	V,B,L	1	1	1	1	1	—	—	—	4229 ET8
	Gold	V,B,L	1	1	1	1	1	—	—	—	4229 EY8
	Black	V,B,L	1	1	1	1	1	—	—	—	4229 EX9
	Blue	R,W	1	1	1	1	1	—	1	1	4045 EB7
	Green	R,W	1	1	1	1	1	—	1	1	4045 EF8
	Red	R,W	1	1	1	1	1	—	1	1	4045 ER8
	Tan	R,W	1	1	1	1	1	—	1	1	4045 ET8
	Black	R,W	1	1	1	1	1	—	1	1	4045 DX9
	Gold	R,W	1	1	—	—	1	—	1	1	4045 EY8
	Blue	P	1	1	1	—	1	1	1	1	4278 EB7
	Green	P	1	1	1	—	1	1	1	1	4278 EF8
	Black	P	1	1	1	—	1	1	1	1	4278 EX9
	Red	P	1	1	1	—	1	1	1	1	4278 ER8
	Tan	P	1	1	1	—	1	1	1	1	4278 ET8
	w/Fresh Air Door Control	D	—	1	1	—	1	1	1	1	4234 EBX
	W/Fresh Air Door Control	D	—	1	1	—	1	1	1	1	4234 EFX
	W/Fresh Air Door Control	D	—	1	1	—	1	1	1	1	4234 ETX
	w/Fresh Air Door Control	D	—	1	1	—	1	1	1	1	4234 EYX

TYPE LETTERS Indicates	B - Barracuda	V - Valiant L - Dart	R - Belvedere W - Coronet	P - Plymouth D - Dodge	C - Chrysler Y - Imperial
NUMERALS INDICATE:	21 - 2 DR. SED. 23 - 2 DR. H.T.	27 - CONV. CPE. 29 - FAST BACK	41 - 4 DR. SED. 43 - 4 DR. H.T.	45 - 6 PASS. STA. WGN. 46 - 9 PASS. STA. WGN.	

AR Indicates use as required.

Indicates parts not listed in any previous parts book

Numerals in parentheses () refer to notes.

★ Indicates change or addition.

Printed in U.S.A.

January 1971

Right and left part numbers are on same line, first number is right, second number is left.

CODE	PART NAME	MODEL CODES	SEE BOTTOM NOTE							PART NUMBER		
			21	23	27	29	41	43	45		46	
23-33-0 INSTRUMENT PANEL Cont'd.												
23-33-132	COVER Cont'd.											
	w/Fresh Air Door Control	Black	D	—	1	1	—	1	1	1	1	4234 EX9
	w/Fresh Air Door Controls											
	W/Out Air Cond.	Red Canada	D	—	1	1	—	1	1	1	1	4234 ERX
	W/Air Cond.	Red Canada	D	—	1	1	—	1	1	1	1	4204 ERX
	Upr.	Blue	C,Y	—	1	1	—	1	1	1	1	4276 EB9
		Green	C,Y	—	1	1	—	1	1	1	1	4276 EF8
		Black	C,Y	—	1	1	—	1	1	1	1	4276 EX9
		Turquoise	C,Y	—	1	1	—	1	1	1	1	4276 EQ8
		Gold	C,Y	—	1	1	—	1	1	1	1	4276 EY8
		Briar	C	—	1	1	—	1	1	1	1	4276 EE9
		Tan	C,Y	—	1	1	—	1	1	1	1	4276 ET8
		Burgundy	Y	—	1	—	—	1	1	—	—	4276 EM9
		Red	Y	—	1	—	—	1	1	—	—	4276 ER8
	Lwr.	Blue	C,Y	—	1	1	—	1	1	1	1	4275 EB9
		Green	C,Y	—	1	1	—	1	1	1	1	4275 EF8
		Black	C,Y	—	1	1	—	1	1	1	1	4275 EX9
		Turquoise	C,Y	—	1	1	—	1	1	1	1	4275 EQ8
		Gold	C,Y	—	1	1	—	1	1	1	1	4275 EY8
		Briar	C	—	1	1	—	1	1	1	1	4275 EE9
		Tan	C	—	1	1	—	1	1	1	1	4275 ET8
		Burgundy	Y	—	1	—	—	1	1	—	—	4275 EM9
		Red	Y	—	1	—	—	1	1	—	—	4275 ER8
23-33-135	FINISH PLATE, Instrument Panel											
	Center, w/Radio		R-H,W-H	1	1	1	—	1	—	1	1	2927 955
	Center, w/Radio		R-P,R-S	—	1	1	—	1	—	1	1	2984 075
	Center, w/Radio		W-P	—	1	1	—	1	—	1	1	2984 075
	Center, w/Radio, w/o Rallye Inst. Panel		W-S	—	1	1	—	—	—	—	—	2984 075
	Center, w/Radio, w/Rallye Inst. Panel		W-S	—	1	1	—	—	—	—	—	2927 929
	Center, w/Radio		W-M	1	1	—	—	—	—	—	—	2927 929
	Center, w/Radio		W	—	—	—	1	—	—	—	—	2927 929
	Center, w/o Radio		R-H,W-H	1	1	1	—	1	—	1	1	2927 956
	Center, w/o Radio		R-P,R-S	—	1	1	—	1	—	1	1	2984 076
	Center, w/o Radio		W-P	—	1	1	—	1	—	1	1	2984 076
	Center, w/o Radio, w/o Rallye Inst. Panel		W-S	—	1	1	—	—	—	—	—	2984 076
	Center, w/o Radio		W-P,W-S	—	—	—	1	—	—	—	—	2927 928
	Center, w/o Radio, w/Rallye Inst. Panel		W-S	—	1	—	1	—	—	—	—	2927 928
	Center, w/o Radio		W-M	1	1	—	—	—	—	—	—	2927 928
	Center, w/Radio, w/o Tape Player	Blue	R-K,R-L,R-T, R-M,W-K,W-L W-T	1	1	1	—	1	—	1	—	4518 EB7
		Green		1	1	1	—	1	—	1	—	4518 EF8
		Tan		1	1	1	—	1	—	1	—	4518 ET8
		Black		1	1	1	—	1	—	1	—	4518 DX9
	Center, w/Radio and Tape Player	Blue	R-K,R-L, R-T,R-M, W-K,W-L, W-T	1	1	1	—	1	—	1	—	4519 EB7
		Green		1	1	—	—	1	—	1	—	4519 EF8
		Tan		1	—	—	—	1	—	1	—	4519 ET8
		Black		1	1	1	—	1	—	1	—	4519 DX9
	Center, w/o Radio	Blue	R-K,R-L, R-T,R-M, W-K,W-L, W-T	1	1	1	—	1	—	1	—	4521 EB7
		Green		1	1	—	—	1	—	1	—	4521 EF8
		Tan		1	1	—	—	1	—	1	—	4521 ET8

TYPE LETTERS Indicates B - Barracuda V - Valiant R - Belvedere P - Plymouth C - Chrysler
 L - Dart W - Coronet D - Dodge Y - Imperial

NUMERALS INDICATE: 21 - 2 DR. SED. 27 - CONV. CPE. 41 - 4 DR. SED. 45 - 6 PASS. STA. WGN.
 23 - 2 DR. H.T. 29 - FAST BACK 43 - 4 DR. H.T. 46 - 9 PASS. STA. WGN.

AR Indicates use as required. Numerals in parentheses () refer to notes. Printed in U.S.A.
 # Indicates parts not listed in any previous parts book ★ Indicates change or addition. January 1971

Right and left part numbers are on same line, first number is right, second number is left.

CODE	PART NAME	MODEL CODES	SEE BOTTOM NOTE							PART NUMBER	
			21	23	27	29	41	43	45		46
23-33-0 INSTRUMENT PANEL Cont'd.											
23-33-135	FINISH PLATE Cont'd.										
	Center, w/Tape Player	R-P,R-S	—	1	1	—	—	—	1	1	2984 077
	Center, w/Tape Player	W-P	—	1	1	—	1	—	1	1	2984 077
	Center, w/Tape Player, w/o Rallye Inst. Panel	W-S	—	1	1	—	—	—	—	—	2984 077
	Center, w/Tape Player	W-P,W-S	—	—	—	1	—	—	—	—	2927 930
	Center, w/Tape Player, w/Rallye Inst. Panel	W-S	—	1	1	—	—	—	—	—	2927 930
	Center, w/Tape Player	W-M	—	1	1	—	—	—	—	—	2927 930
	Center, w/Tape Player	R-H,W-H	1	1	1	—	1	—	1	1	2957 957
	Upr. Rt. "G.T.X."	R-S	—	1	1	—	—	—	—	—	2984 073
	Upr. Rt. Sport Satellite	R,P	—	1	1	—	1	—	1	1	2984 072
	Upr. Rt. "Satellite"	R-H	—	1	1	—	1	—	1	1	2927 958
	Upr. Rt.	W-P	—	1	1	—	1	—	1	1	2927 971
	Upr. Rt., "R/T" w/o Rallye Inst. Panel	W-S	—	1	1	—	—	—	—	—	2927 989
	Upr. Rt.	W-P,W-S	—	—	—	1	—	—	—	—	2927 869
	Upr. Rt., w/Rallye Inst. Panel	W-S	—	1	1	—	—	—	—	—	2927 869
	Upr. Rt. "Coronet 440"	W-H	1	1	—	—	1	—	1	1	2927 959
	Upr. Lt.	R-H,W-H	1	1	1	—	1	—	1	1	2927 954
	Upr. Lt.	R-P,R-S	—	1	1	—	1	—	1	1	2984 074
	Upr. Lt.	W-P	—	1	1	—	1	—	1	1	2984 074
	Upr. Lt., w/o Rallye Inst. Panel	W-S	—	1	1	—	—	—	—	—	2984 074
	Lwr. Rt., w/o A/Cond.	R-H,W-H, R-P,R-W, W-P,W-S,									
	Lwr. Rt., w/o A/Cond.	W-p,W-S	1	1	1	—	1	—	1	1	2927 960
	Lwr. Rt., w/o A/Cond.	R-P,R-S	—	1	1	—	1	—	1	1	2927 168
	Lwr. Rt., w/o A/Cond., w/o Rallye Inst. Panel	W-P	—	1	1	—	1	—	1	1	2927 168
	Lwr. Rt., w/o A/Cond.	W-S	—	1	1	—	—	—	—	—	2927 168
	Lwr. Rt., w/o A/Cond	W-P,W-S	—	—	—	1	—	—	—	—	2927 870
	Lwr. Rt., w/o A/Cond., w/Rallye Inst. Panel	W-S	—	1	1	—	—	—	—	—	2927 870
	Lwr. Rt., w/o A/Cond.	W-M	—	1	1	—	—	—	—	—	2927 870
	Lwr. Lt., w/o A/Cond.	R-P,R-S, W-P,W-S, R-H,W-H, W-P,W-S	1	1	1	—	1	—	1	1	2927 953
	Lwr. Lt., w/o A/Cond.	R-P,R-S	—	1	1	—	1	—	1	1	2927 170
	Lwr. Lt., w/o A/Cond.	W-P	—	1	1	—	1	—	1	1	2927 170
	Lwr. Lt., w/o ATCond. w/o Rallye Inst. Panel	W-S	—	1	1	—	—	—	—	—	2927 170
	Lwr. Lt., w/o A/Cond.	W	—	—	—	1	—	—	—	—	2927 871
	Lwr. Lt., w/o A/Cond., w/Rallye Inst. Panel	W-S	—	1	1	—	—	—	—	—	2927 871
	Lwr. Lt., w/o A/Cond.	W-M	—	1	1	—	—	—	—	—	2927 871
	FINISH PLATE, Inst. Panel, Red,	D	—	1	1	—	1	1	1	1	4110-1ERX
	Blue	D-K,D-T, D-L,D-M, D-H	—	1	1	—	1	1	1	1	4110-1EBX
	Green		—	1	1	—	1	1	1	1	4110-1EFX
	Tan		—	1	1	1	1	1	1	1	4110-1ETX
	Black		—	1	1	—	1	1	1	1	4110-1EX9
	w/Insert, W/O A/Cond.	C-H, C-P	—	1	1	—	1	1	1	1	2927 730
	w/INSERT, w/A/Cond.	C-H,D-P	—	1	1	—	1	1	1	1	2927 732
	TRIM PLATE, Instrument Panel										
	Heater Control, w/o Radio	V-H	1	—	—	—	1	—	—	—	2884 638
	A/Cond. Control, w/Radio Openings	V-H	1	—	—	—	1	—	—	—	2884 642
	w/o Heater or A/Cond., w/Radio Openings	V-H	1	—	—	—	1	—	—	—	2884 644
	Speedometer and Inst. Cluster	W	—	—	—	1	—	—	—	—	2927 992

TYPE LETTERS Indicates	B - Barracuda	V - Valiant L - Dart	R - Belvedere W - Coronet	P - Plymouth D - Dodge	C - Chrysler Y - Imperial
NUMERALS INDICATE:	21 - 2 DR. SED. 23 - 2 DR. H.T.	27 - CONV. CPE. 29 - FAST BACK	41 - 4 DR. SED. 43 - 4 DR. H.T.	45 - 6 PASS. STA. WGN. 46 - 9 PASS. STA. WGN.	

AR Indicates use as required. Numerals in parentheses () refer to notes. Printed in U.S.A.
 # Indicates parts not listed in any previous parts book. * Indicates change or addition. January 1971
 Right and left part numbers are on same line, first number is right, second number is left.

CODE	PART NAME	MODEL CODES	SEE BOTTOM NOTE								PART NUMBER
			21	23	27	29	41	43	45	46	
23-33-0 INSTRUMENT PANEL Cont'd.											
23-33-135	FINISH PLATE Cont'd.										
	APPLIQUE, Inst. Panel Finish Plate										
	Center, w/o Radio	W	—	—	—	1	—	—	—	2927 978	
	Center, w/ Radio	W	—	—	—	1	—	—	—	2927 979	
	Center, w/Tape Player	W	—	—	—	1	—	—	—	2927 980	
	Upr. Rt.	W	—	—	—	1	—	—	—	2927 975	
	w/o A/Cond., Lwr. Rt.	W	—	—	—	1	—	—	—	2927 976	
	w/o A/Cond. Lwr. Lt.	W	—	—	—	1	—	—	—	2927 977	
	BEZEL, Inst. Panel										
	w/o Radio	V-L	1	—	—	—	1	—	—	2864 535	
	w/o Heater or A/Cond.	V-L	1	—	—	—	1	—	—	2864 539	
	Radio Cover	L-H,L-P,									
		L-S	—	1	1	—	1	—	—	2864 521	
	w/o Radio	L-L	—	1	—	—	1	—	—	2864 526	
	w/o Heater and A/Cond.	L-L	—	1	—	—	1	—	—	2864 524	
	Rr. Washer Switch	R-W	—	—	—	—	—	1	1	2947 209	
	w/Accessory Switch	R,W	—	1	1	—	1	—	1	2947 208	
	w/o Accessory Switch	R,W	—	1	1	—	1	—	1	2947 215	
	A/Cond. Opening Bezel	R,W	1	1	1	—	1	—	1	2947 250	
	w/Radio	P	1	1	1	1	1	1	1	2884 115	
	w/Stereo	P	1	1	1	—	1	1	1	2884 488	
	w/Heater and A/Cond. or Auto. Temp. Control, w/o Radio	P	1	1	1	—	1	1	1	2884 114	
	w/Radio	D	—	1	1	—	1	1	1	2884 110	
	w/Radio and Rr. Speaker	D	—	1	1	—	1	1	—	2884 424	
	w/o Radio	D	—	1	1	—	1	1	1	2884 112	
	w/A/M Radio and Stereo Tape Player	D	—	1	1	—	1	1	1	2884 694	
	Red Canada	D	—	1	1	—	1	1	1	4110-1ERX	
	Inst. Panel	C-M,C-H,									
		C-P	—	1	1	—	—	1	1	2927 483	
	w/A/Cond.	C-E,C-L	—	1	1	—	1	1	—	2927 647	
	w/o A/Cond.	C-E,C-L	—	1	1	—	1	1	—	2927 154	
	Inst. Panel	Y	—	1	—	—	1	1	—	2927 155	
23-33-139	CLIP, Dummy Cover to Trim Bezel Mtg. w/o Heater	P	4	4	4	—	4	4	4	2884 484	
23-33-140	PLUG, Glove Box Switch Opening	C-E,C-L,									
		C-M	—	1	1	—	1	1	—	2947 226	
	PLUG, Inst. Panel Deck Lid Switch	Y	—	1	—	—	1	1	—	2984 546	
23-33-216	COVER, Inst. Panel Map Lamp Opening	R,W	1	1	1	1	1	—	1	2771 821	
		C	—	1	—	—	1	1	—	2947 114	

23-34-0 BODY PANELS

23-34-5	PANEL, Quarter Panel Spare Tire Hsg., Lower	R,W	—	—	—	—	—	—	1	1	2811 984
	PANEL, Quarter Inside Wheel Well										
		Rt.	R,W	—	—	—	—	—	1	1	2811 750
	PANEL, Rr. Floor Pan Spare Tire Hsg.										
		Inner	R,W	—	—	—	—	—	1	1	2811 985
	PANEL, Quarter Wheelhouse Spare Tire Hsg.										
		Frnt.	P,D,C	—	—	—	—	—	1	1	2893 992
		Inner	P,D,C	—	—	—	—	—	1	1	2893 991
		Lwr.	P,D,C	—	—	—	—	—	1	1	2893 990
23-34-10	COVER, Rr. Floor Pan Cover Panel Latch Opening										
		Prime	R,W	—	—	—	—	—	1	—	2664 625

TYPE LETTERS Indicates	B - Barracuda	V - Valiant L - Dart	R - Belvedere W - Coronet	P - Plymouth D - Dodge	C - Chrysler Y - Imperial
NUMERALS INDICATE:	21 - 2 DR. SED. 23 - 2 DR. H.T.	27 - CONV. CPE. 29 - FAST BACK	41 - 4 DR. SED. 43 - 4 DR. H.T.	45 - 6 PASS. STA. WGN. 46 - 9 PASS. STA. WGN.	

AR Indicates use as required. Numerals in parentheses () refer to notes. Printed in U.S.A.
 # Indicates parts not listed in any previous parts book ★ Indicates change or addition. January 1971
 Right and left part numbers are on same line, first number is right, second number is left.

CODE	PART NAME	MODEL CODES	SEE BOTTOM NOTE								PART NUMBER
			21	23	27	29	41	43	45	46	
23-34-0 BODY PANELS Cont'd.											
23-34-13	BRACKET and NUT, Wheelhouse to Fuel Tank Stone Deflector										
		Upr.	P,D,C						1	1	2526 829
23-34-15	BRACKET, Quarter Wheelhouse Inner Panel Fuel Tank Rr. Strap Att.		P,D,C						1	1	2880 784
23-34-16	PANEL, Rr. Floor Pan Tailgate Opening Sill		R,W						1	1	2860 150
			P,D,C						1	1	2894 242
	Extension, Tailgate Opening Sill		R,W						1	1	2860 818-9
			P,D,C								2894 316-7
23-34-17	BRACE, Tailgate Opening Sill at Lock Opening		R,W						1	1	2573 976
	BRACE, Tailgate Opening Sill Outer		P,D,C						1	1	2894 398
	BRACE, Tailgate Opening Sill to Rr. Floor Pan at Lock Opening		P,D,C						1	1	2893 880
	SUPPORT, Quarter Panel Tailgate Pillar to Hinge Pivot to Rr. Crossmember Ext.		P,D,C						1	1	2894 495
	SUPPORT, Rr. Sill Tailgate Opening to Rr. Crossmember	Lt.	P,D,C						1	1	2894 495
			R,W						2	2	2860 194
	SUPPORT, Rr. Floor Pan Tailgate Opening Sill Panel		P,D,C						1	1	2894 458-9
	REINFORCEMENT, Rr. Floor Pan Tailgate Opening Sill to Quarter Panel		R,W						1	1	2861 570
23-34-20	Deflector, Quarter Inside Support Water		P,D,C		1						2965 544-5
23-34-21	PANEL, Wheelhouse Cap		B		1						2783 952-3
			L		1						2604 234-5
			R,W		1						2782 374-5
			P,D,C		1						2901 106-7
23-34-22	SUPPORT, Wheelhouse to Quarter Panel		V	1				1			2604 328-9
			L					1			2603 652-3
			B		1						2783 454-5
			L		1						2782 160-1
			R,W					1			2838 476-7
	SUPPORT, Wheelhouse to Quarter Inside Lower Panel		P		1						2901 412-3
			D		1						2902 484-5
			C,Y		1						2902 486-7
	SUPPORT, Wheelhouse Inner Cover Panel		B				1				2784 784-5
	SUPPORT, Quarter Panel Wheelhouse Outer to Roof Rail		P,D,C						1	1	2894 492-3
	SUPPORT, Wheelhouse to Quarter Deck Drain Trough Brace		W				1				2840 366-7
23-34-27	PANEL, Wheelhouse		B,L			1					3444 208-9
		Outer	B			1					2783 948-9
		Outer	L			1					2604 232-3
		Inner	V	1				1			26003 646-7
		Outer	V	1				1			2604 226-7
		Inner	L			1					2603 646-7

TYPE LETTERS Indicates	B - Barracuda	V - Valiant L - Dart	R - Belvedere W - Coronet	P - Plymouth D - Dodge	C - Chrysler Y - Imperial
NUMERALS INDICATE:	21 - 2 DR. SED. 23 - 2 DR. H.T.	27 - CONV. CPE. 29 - FAST BACK	41 - 4 DR. SED. 43 - 4 DR. H.T.	45 - 6 PASS. STA. WGN. 46 - 9 PASS. STA. WGN.	

AR Indicates use as required. Numerals in parentheses () refer to notes. Printed in U.S.A.
 # Indicates parts not listed in any previous parts book. * Indicates change or addition. January 1971
 Right and left part numbers are on same line, first number is right, second number is left.

CODE	PART NAME	MODEL CODES	SEE BOTTOM NOTE								PART NUMBER
			21	23	27	29	41	43	45	46	
23-34-0 BODY PANELS Cont'd.											
23-34-27	PANEL Cont'd.										
	Outer	L	—	1	—	—	1	—	—	—	2603 644-5
	Inner	B,L	—	1	—	1	—	—	—	—	2603 646-7
	Outer	B	—	1	—	1	—	—	—	—	2604 230-1
	Inner	R,W	—	—	—	—	—	—	1	1	2860 430-1
	Outer	R,W	—	—	—	—	—	—	1	1	2811 498-9
	Inner	R,W	—	—	1	—	—	—	—	—	2841 908-9
	Outer	R	—	—	1	—	—	—	—	—	2838 216-7
	Outer	W	—	—	1	—	—	—	—	—	2838 218-9
	Inner	R	1	1	—	—	1	—	—	—	2841 906-7
	Inner	W	1	1	—	—	1	—	—	—	2841 908-9
	Inner	W	—	—	—	1	—	—	—	—	2841 906-7
	Outer	R	1	1	—	—	1	—	—	—	2811 498-9
	Outer	W	—	—	—	—	1	—	—	—	2838 330-1
	Outer	W	1	1	—	1	—	—	—	—	2838 870-1
	Inner	P,D,C	—	—	—	—	—	—	1	1	2893 250-1
	Outer	P	—	—	—	—	—	—	1	1	2893 252-3
	Outer	D	—	—	—	—	—	—	1	1	2893 378-9
	Outer	C	—	—	—	—	—	—	1	1	2893 380-1
	Inner	P,D,C	—	—	1	—	—	—	—	—	2901 100-1
	Outer	P	—	—	1	—	—	—	—	—	2901 094-5
	Outer	D	—	—	1	—	—	—	—	—	2901 096-7
	Outer	C	—	—	1	—	—	—	—	—	2901 098-9
	Inner	P,D,C,Y	1	1	—	1	1	1	—	—	2900 674-5
	Outer	P	1	1	—	1	1	1	—	—	2900 682-3
	Outer	D	—	1	—	—	1	1	—	—	3445 466-7
	Outer	C,Y	—	1	—	—	1	1	—	—	3445 468-9
23-34-29	PANEL, Quarter Wheelhouse Inner Rear										
	Lt.	P,D,C	—	—	—	—	—	—	1	1	2894 777
23-34-36	REINFORCEMENT, Wheelhouse to Center Floor Pan	B	—	—	—	1	—	—	—	—	2604 312-3
	REINFORCEMENT, Wheelhouse to Belt Bar	L	—	—	1	—	—	—	—	—	2605 848-9
		R,W	—	—	1	—	—	—	—	—	2838 224-5
23-34-38	PAD, Tailgate Opening Sill Step	R,W	—	—	—	—	—	—	—	1	2789 728
	PLATE, Tailgate Opening Sill Step	P,D,C	—	—	—	—	—	—	—	1	2877 937
23-34-40	PLUG, Quarter Panel Tailgate Lock Lower Inner Pillar	R,W	—	—	—	—	—	—	1	1	2094 985
	PLUG, Quarter Inside Wheel Well Panel	R,W	—	—	—	—	—	—	1	1	2094 985
	PLUG, Wheelhouse Quarter Panel										
	Rt. side only								1	1	2094 985
23-34-41	PANEL, Wheelhouse Liner	B	—	1	—	1	—	—	—	—	2841 600-1
23-34-52	BUMPER, Tailgate opening Sill Panel Extension	P,D,C	—	—	—	—	—	—	4	4	1943 547
23-34-80	PANEL, Cowl Top and Plenum Chamber	V,B,L	1	1	1	1	1	—	—	—	2859 990
		R,W	1	1	1	1	1	—	1	1	2934 364
	w/A/Cond.	P,D,C,Y	1	1	1	—	1	1	1	1	2859 897
	w/oA/Cond.	P,D,C,Y	1	1	1	—	1	1	1	1	2859 896
	PANEL, Cowl Side	V,L	1	—	—	—	1	—	—	—	2934 044-5
		B,L	—	1	—	1	—	—	—	—	2934 046-7
	Rt.	B,L	—	—	1	—	—	—	—	—	2769 660
	Lt.	B,L	—	—	1	—	—	—	—	—	2934 267
	Rt.	R,W	—	—	1	—	—	—	—	—	2576 652
	Lt.	R,W	—	—	1	—	—	—	—	—	2859 951
		R,W	1	1	—	1	—	—	—	—	2859 136-7
		R,W	—	—	—	—	1	—	1	1	2859 942-3
		P,D,C	—	—	1	—	—	—	—	—	2859 924-5
		P,D,C,Y	—	1	—	—	—	—	—	—	2859 922-3
		P,D,C,Y	1	—	—	1	—	1	—	—	2859 920-1

TYPE LETTERS Indicates B - Barracuda V - Valiant R - Belvedere P - Plymouth C - Chrysler
 L - Dart W - Coronet D - Dodge Y - Imperial

NUMERALS INDICATE: 21 - 2 DR. SED. 27 - CONV. CPE. 41 - 4 DR. SED. 45 - 6 PASS. STA. WGN.
 23 - 2 DR. H.T. 29 - FAST BACK 43 - 4 DR. H.T. 46 - 9 PASS. STA. WGN.

AR Indicates use as required. Numerals in parentheses () refer to notes. Printed in U.S.A.
 # Indicates parts not listed in any previous parts book ★ Indicates change or addition. January 1971

Right and left part numbers are on same line, first number is right, second number is left.

CODE	PART NAME	MODEL CODES	SEE BOTTOM NOTE								PART NUMBER
			21	23	27	29	41	43	45	46	
23-34-0 BODY PANELS Cont'd.											
23-34-80	PANEL Cont'd.										
		P,D,C,Y	—	—	—	—	1	—	1	1	2859 626-7
		P,D,C,Y	1	1	1	—	1	1	1	1	2893 064-5
		P,D,C,Y	1	1	1	—	1	1	1	1	2894 388
23-34-82	BRACKET and NUT, Cowl Side Inner										
23-34-83	PLATE, Cowl Plenum Panel Bracket to Brake Pedal Bracket	R,W	1	1	1	1	1	—	1	1	2860 157
23-34-84	PLATE, Cowl Side Outer to Inner Panel Front	P,D,C,Y	1	1	1	—	1	—	1	1	2893 068-9
23-34-87	REINFORCEMENT, Cowl Plenum Chamber to Strg. Col. Support	R,W	1	1	1	1	1	—	1	1	2860 976
23-34-88	STRUT, Cowl Side to Strg. Col. Support Reinforcement										
		R,W	1	1	1	—	1	—	1	1	2861 556
23-34-89	PANEL, Cowl Side Inner										
	w/NUT	P,D,C	1	1	—	1	1	1	1	1	2894 740-1
	w/NUT	P,D,C	—	—	1	—	—	—	—	—	2894 772-3
	w/NUT	Y	—	1	—	—	1	1	—	—	2894 772-3
	EXTENSION, Cowl Side Inner Panel to Outer Sill	P,D,C	—	—	1	—	—	—	—	—	2894 970-1
		Y	—	1	—	—	1	1	—	—	2894 970-1
23-34-100	FILLER, Cowl Top to Ins.t Panel										
		C,Y	—	1	1	—	1	1	1	1	4223 EX9
23-34-102	SEAL and CLIP, Cowl Top to Fender	P,D,C,Y	1	1	1	—	1	1	1	1	2895 096-7
23-34-110	PANEL, Dash										
	w/o A/Cond.	V,B,L	1	1	1	1	1	—	—	—	2934 899
	w/o A/Cond.	R,W	1	1	1	—	1	—	1	1	2934 772
23-34-116	COVER, Dash Panel Heater Motor Opening	V,B,L	1	1	1	1	1	—	—	—	2242 439
	COVER, Dash Panel Extension Air Duet Drain Hole	P,D,C,Y	1	1	1	—	1	1	1	1	2894 318
23-34-117	SUPPORT, Dash Panel to Fender Side Shield	V,B,L	1	1	1	1	1	—	—	—	2663 054-5
	SUPPORT, Dash Panel to Front Fender Shield	R,W	1	1	1	1	1	—	1	1	2570 204-5
23-34-119	GASKET, Heater Motor Mtg. Plate	V,B,L	1	1	1	1	1	—	—	—	2242 425
	GASKET, Dash Panel Heater Motor Opening Cover	V,B,L	1	1	1	1	1	—	—	—	2242 425
23-34-120	PANEL, Front Door Outside Repair										
		Rt. V	1	—	—	—	—	—	—	—	2663 350
		Lt. V	1	—	—	—	—	—	—	—	2860 801
		Rt. V,L	—	—	—	—	1	—	—	—	2663 354
		Lt. V,L	—	—	—	—	1	—	—	—	2860 403
		B	—	1	1	1	—	—	—	—	2859 594-5
		L	—	1	1	—	—	—	—	—	2859 592-3
		W	—	—	—	1	—	—	—	—	2859 078-9
		R,W	1	1	1	—	—	—	—	—	2859 072-3
		R,W	—	—	—	—	1	—	1	1	2811 294-5
		P	1	1	1	1	—	—	—	—	2859 648-9
		P	—	—	—	—	—	1	—	—	2859 640-1
		P	—	—	—	—	1	—	1	1	2859 632-3
		D	—	1	1	—	—	—	—	—	2859 676-7
		D	—	—	—	—	—	1	—	—	2859 668-9
		D	—	—	—	—	1	—	1	1	2859 660-1
		C,Y	—	1	—	—	—	—	—	—	2859 698-9
		C,Y	—	—	—	—	—	1	—	—	2859 690-1
		C,Y	—	—	—	—	1	—	1	1	2859 682-3
		V	—	—	—	—	1	—	—	—	2663 566-7
		L	—	—	—	—	1	—	—	—	2663 762-3
		R	—	—	—	—	1	—	—	—	2811 370-1
		W	—	—	—	—	1	—	—	—	2811 372-3

TYPE LETTERS Indicates

B - Barracuda

V - Valiant
L - DartR - Belvedere
W - CoronetP - Plymouth
D - DodgeC - Chrysler
Y - ImperialNUMERALS INDICATE: 21 - 2 DR. SED.
23 - 2 DR. H.T.27 - CONV. CPE.
29 - FAST BACK41 - 4 DR. SED.
43 - 4 DR. H.T.45 - 6 PASS. STA. WGN.
46 - 9 PASS. STA. WGN.

AR Indicates use as required.

Indicates parts not listed in any previous parts book

Numerals in parentheses () refer to notes.

★ Indicates change or addition.

Printed in U.S.A.

January 1971

Right and left part numbers are on same line, first number is right, second number is left.

CODE	PART NAME	MODEL CODES	SEE BOTTOM NOTE								PART NUMBER
			21	23	27	29	41	43	45	46	
23-34-0 BODY PANELS Cont'd.											
23-34-120	PANEL Cont'd.	R,W	—	—	—	—	—	—	1	1	2811 794-5
		P	—	—	—	—	1	—	—	—	2893 612-3
		P	—	—	—	—	—	1	—	—	2859 710-1
		P	—	—	—	—	—	—	1	1	2893 612-3
		D	—	—	—	—	1	—	1	1	2893 624-5
		D	—	—	—	—	—	1	—	—	2859 732-3
		C	—	—	—	—	—	—	1	1	2894 156-7
		C,Y	—	—	—	—	1	—	—	—	2893 642-3
		C,Y	—	—	—	—	—	1	—	—	2859 754-5
23-34-121	SHIELD, Dash Panel to Fender Side w/BRACKET	V	1	—	—	—	1	—	—	—	2663 108-9
		V	1	—	—	1	—	—	—	—	2859 188-9
		B	—	1	1	1	—	—	—	—	2860 170-1
	w/NUT	L	—	1	1	—	1	—	—	—	2860 166-7
		L	—	1	1	—	1	—	—	—	2664 154-5
		R,W	1	1	1	—	1	—	1	1	2861 822-3
23-34-123	PLUG, Dash Panel Clutch Opening	V,B,L,R, W	1	1	1	1	1	—	1	1	2811 825
	PLUG, Cowl Side Panel Antenna Hole	V,B,L,R, W	1	1	1	1	1	—	1	1	2860 332
	PLUG, Heater Mtg. Hole	R,W	3	3	3	3	3	—	3	3	2094 984
	PLUG, Cowl Side Panel Forward Welding Access Hole Inner Panel	P,D,C,Y	2	2	2	—	2	2	2	2	2664 330
	PLUG, Front Floor Pan Radio Antenna Cable Access Hole	P,D,C,Y	1	1	1	—	1	1	1	1	2860 332
	PLUG, Cowl Top Panel to Inst. Panel Filler Attaching Holes	P,D	5	5	5	5	5	5	5	5	2465 483
23-34-124	COVER, Front Door Outside Panel Belt Flange Rr.	B	—	—	—	1	—	—	—	—	2860 334-5
		R,W	—	1	—	1	—	—	—	—	2860 334-5
23-34-135	COVER, Front Door Outside Panel Rear	V,B,L,R, W	1	1	1	1	1	—	1	1	2860 748
23-34-137	Gasket, Front Door Outside Panel Rr. View Mirror Hole Cover	V, B, L, R, W	1	1	1	1	1	—	1	1	2860 749
23-34-166	PANEL, Deck Opening Upper	V	1	—	—	—	1	—	—	—	2842 327
		B	—	—	—	1	—	—	—	—	2932 179
		B	—	1	—	—	—	—	—	—	2842 328
		B	—	—	1	—	—	—	—	—	2783 991
		L	—	—	1	—	—	—	—	—	2604 122
		L	—	1	—	—	—	—	—	—	2604 073
		L	—	—	—	—	1	—	—	—	2603 665
		W	—	—	—	1	—	—	—	—	2838 090
		R, W	—	—	1	—	—	—	—	—	2838 248
		R, W	1	1	—	—	—	—	—	—	2838 712
		R, W	—	—	—	—	1	—	—	—	3444 574
		P, D	—	—	1	—	—	—	—	—	2901 183
		P, D	1	—	—	1	—	1	—	—	2900 414
		P, D	—	—	—	—	1	—	—	—	2900 416
		P, D	—	1	—	—	—	—	—	—	2900 415
		C	—	—	1	—	—	—	—	—	2901 184
		C, Y	—	1	—	—	—	—	—	—	2900 855
		C, Y	—	—	—	—	1	1	—	—	2900 109
	PANEL, Deck Opening Upper Plenum	W	—	—	—	1	—	—	—	—	2840 228

TYPE LETTERS Indicates	B - Barracuda	V - Valiant L - Dart	R - Belvedere W - Coronet	P - Plymouth D - Dodge	C - Chrysler Y - Imperial
NUMERALS INDICATE:	21 - 2 DR. SED. 23 - 2 DR. H.T.	27 - CONV. CPE. 29 - FAST BACK	41 - 4 DR. SED. 43 - 4 DR. H.T.	45 - 6 PASS. STA. WGN. 46 - 9 PASS. STA. WGN.	

AR Indicates use as required. Numerals in parentheses () refer to notes. Printed in U.S.A.
 # Indicates parts not listed in any previous parts book. ★ Indicates change or addition. January 1971

Right and left part numbers are on same line, first number is right, second number is left.

CODE	PART NAME	MODEL CODES	SEE BOTTOM NOTE							PART NUMBER	
			21	23	27	29	41	43	45		46
23-34-0 BODY PANELS Cont'd.											
23-34-167	PANEL, Deck Opening Lower	V	1	—	—	—	1	—	—	—	2604 120
		L	—	1	1	—	1	—	—	—	2603 661
	w/Formula S Pkg.	B	—	1	1	1	—	—	—	—	2839 640
	w/o Formula S Pkg.	B	—	1	1	1	—	—	—	—	2840 751
		R	1	1	1	—	1	—	—	—	2901 315
		W	1	1	1	—	1	—	—	—	2900 921
		W	—	—	—	1	—	—	—	—	2901 678
		P-K, P-T, P-E, P-L P-M, P-H, P-P	1	—	—	—	1	—	—	—	2900 420
		D	—	1	1	1	1	1	—	—	2900 843
		D	—	1	1	—	1	1	—	—	2900 421
	Canada	P-L	—	1	—	—	—	—	—	—	2900 420
		C	—	1	1	—	1	1	—	—	2900 104
		Y	—	1	—	—	1	1	—	—	2900 422
	PANEL, Deck Opening Lower to Rear Crossmember	W	—	—	—	1	—	—	—	—	2902 524
23-34-176	EXTENSION, Deck Opening Lower Panel	P	1	1	1	1	1	1	—	—	2900 938-9
	EXTENSION, Deck Opening Lower Panel Reinforcement	V	1	—	—	—	1	—	—	—	2782 102-3
		W	—	—	—	1	—	—	—	—	2901 688-9
	EXTENSION, Deck Opening Lower Panel to Floor Pan w/NUT	P	1	1	1	1	1	1	—	—	2900 399
	Extension, Tailamp Opening Reinforcement Lower	C	—	1	1	—	1	1	—	—	2900 882-3
23-34-178	PLUG, Deck Opening Lower Panel Taillamp Mtg. Reinforcement	P-L	4	4	4	—	4	4	—	—	2189 093
	PLUG, Deck Opening Lower Panel Reinforcement	C-E	—	4	4	—	4	4	—	—	2094 985
	1 inch	C-L	—	6	—	—	6	6	—	—	2094 985
23-34-179	REINFORCEMENT, Deck Opening Upper or Lower Panel Lwr.	V	1	—	—	—	1	—	—	—	2604 124
		Upr. B	—	—	1	—	—	—	—	—	2784 010
		Upr. L	—	—	1	—	—	—	—	—	2604 957
		Lwr. L	—	1	1	—	1	—	—	—	2840 205
		Upr. R, W	—	—	1	—	—	—	—	—	2838 250
		Upr. P, D	—	—	1	—	—	—	—	—	2901 185
	w/NUT	Lwr. D	—	1	1	—	1	1	—	—	2902 410
	w/NUT	Lwr. C-E, C-L	—	1	1	—	1	1	—	—	2963 500
		Upr. C	—	1	1	—	1	1	—	—	2902 395
	w/NUT	Lwr. C-M, C-H	—	1	1	—	1	1	—	—	2902 623
	w/Nut	Lwr. Y	—	1	—	—	1	1	—	—	2902 623
	SUPPORT, Deck Opening Upper Plenum Panel Center	W	—	—	1	—	—	—	—	—	2840 397
	SUPPORT, Deck Opening Lower Panel	R	1	1	1	—	1	—	—	—	2838 548
		W	1	1	1	—	1	—	—	—	2902 488-9

TYPE LETTERS Indicates	B - Barracuda	V - Valiant L - Dart	R - Belvedere W - Coronet	P - Plymouth D - Dodge	C - Chrysler Y - Imperial
NUMERALS INDICATE:	21 - 2 DR. SED. 23 - 2 DR. H.T.	27 - CONV. CPE. 29 - FAST BACK	41 - 4 DR. SED. 43 - 4 DR. H.T.	45 - 6 PASS. STA. WGN. 46 - 9 PASS. STA. WGN.	

AR Indicates use as required.

Indicates parts not listed in any previous parts book

Numerals in parentheses () refer to notes.

★ Indicates change or addition.

Printed in U.S.A.

January 1971

Right and left part numbers are on same line, first number is right, second number is left.

CODE	PART NAME	MODEL CODES	SEE BOTTOM NOTE							PART NUMBER	
			21	23	27	29	41	43	45		46
23-34-0 BODY PANELS Cont'd.											
23-34-179	REINFORCEMENT Cont'd.										
	Center	P	1	1	1	1	1	1	—	—	2902 552
		D	—	1	1	—	1	1	—	—	2900 437
	Inner	D	—	1	1	—	1	1	—	—	2900 438
	Outer	C	—	2	2	—	2	2	—	—	2900 854
		Y	—	2	—	—	2	2	—	—	2902 754
23-34-179	REINFORCEMENT, Deck Opening Lower Panel Impact Bracket	B	—	2	2	2	—	—	—	—	2784 718
23-34-183	PLATE, Deck Opening Lower Panel Extension	P	1	1	1	1	1	1	—	—	2901 384-5
23-34-184	LETTER, NAMEPLATE or MEDALLION, Deck Opening Lower Panel (1)										
23-34-191	BRACKET, Deck Opening Lwr. Panel Reinforcement Impact	V	1	—	—	—	1	—	—	—	2782 108-9
		L	—	1	1	—	1	—	—	—	2782 728-9
		B	—	2	2	2	—	—	—	—	2784 717
	BRACKET, Deck Opening Lwr. Panel Reinforcement Impact Bumper	P, D, C, Y	2	2	2	2	2	2	—	—	2900 884
	BRACKET, Quarter Panel Rear Bumper Impact	P, D, C	—	—	—	—	—	—	1	1	2894 490-1
23-34-193	SPACER, Deck Opening Upper Panel to Rear Window Glass	B	—	—	—	2	—	—	—	—	2842 363
		W	—	—	—	AR	—	—	—	—	2842 348
	Nominal	W	—	—	—	AR	—	—	—	—	2842 363
	Thin	R, W	AR	AR	—	—	AR	AR	—	—	2807 425
		P, D, C, Y	AR	AR	—	—	AR	AR	—	—	2964 590
23-34-212	Panel, Quarter Wheel Opening	P	1	—	—	—	1	—	—	—	2963 458-9
		P-M, P-H	—	1	1	—	—	1	—	—	2963 458-9
	Canada	P-L	—	1	—	—	—	—	—	—	2963 458-9
		Y	—	1	—	—	—	1	1	—	2963 462-3
23-34-213	GASKET, Quarter Wheel Opening Panel	P	2	—	—	—	2	—	—	—	2963 456
		P-M, P-H	—	2	2	2	—	2	—	—	2963 456
		P-P	—	2	—	2	—	2	—	—	2963 456
	Canada	P-L	—	2	—	—	—	—	—	—	2963 456
		Y	—	2	—	—	2	2	—	—	2964 704
	SEAL, Quarter Panel End Extension to Rear Bumper Front	P, D, C	—	—	—	—	—	—	2	2	2895 228
	SEAL, Quarter Outside Panel to Rear Bumper	R, W	—	—	—	—	—	—	1	1	2860 640
	Rt.	R, W	—	—	—	—	—	—	1	1	2895 403
	Lt.	Y	—	—	—	—	1	1	—	—	2902 900-1
23-34-216	PIN, Quarter Wheel Opening Panel Locating	P-M, P-H	4	4	4	—	4	4	—	—	2528 429
		P-P	—	4	—	4	—	4	—	—	2528 429
		Y	—	4	—	—	4	4	—	—	2528 429
23-34-222	RETAINER, Quarter Wheel Opening Panel Gasket	P	18	18	18	18	18	18	—	—	2964 547

TYPE LETTERS Indicates	B - Barracuda	V - Valiant L - Dart	R - Belvedere W - Coronet	P - Plymouth D - Dodge	C - Chrysler Y - Imperial
NUMERALS INDICATE:	21 - 2 DR. SED. 23 - 2 DR. H.T.	27 - CONV. CPE. 29 - FAST BACK	41 - 4 DR. SED. 43 - 4 DR. H.T.	45 - 6 PASS. STA. WGN. 46 - 9 PASS. STA. WGN.	

AR Indicates use as required. Numerals in parentheses () refer to notes. Printed in U.S.A.
 # Indicates parts not listed in any previous parts book. ★ Indicates change or addition. January 1971
 Right and left part numbers are on same line, first number is right, second number is left.

CODE	PART NAME	MODEL CODES	SEE BOTTOM NOTE							PART NUMBER	
			21	23	27	29	41	43	45		46
23-34-0 BODY PANELS Cont'd.											
23-34-229	PLATE, Quarter Panel to Wheelhouse to Side Sill Quarter Panel Tie	L	—	—	—	—	1	—	—	—	2603 650-1
	PLATE, Body Side Sill to Wheelhouse Tie	R, W	—	—	—	—	1	—	1	1	2527 304-5
		P, C	—	—	—	—	1	1	—	—	2900 508-9
		D	—	—	—	—	1	1	—	—	2901 632-3
		P, D, C	—	—	—	—	—	—	1	1	2901 632-3
		Y	—	—	—	—	1	1	—	—	2902 504-5
	PLATE, Body Side Sill to Quarter Inside Panel Tie	R, W	—	—	1	—	—	—	—	—	2839 960-1
		R, W	1	1	—	1	—	—	—	—	2838 286-7
		P, D, C	1	1	—	1	—	—	—	—	2900 506-7
		P, D, C	—	—	1	—	—	—	—	—	2901 550-1
		Y	—	1	—	—	—	—	—	—	2902 370-1
23-34-231	SUPPORT, Quarter Outside Panel to Rear Bumper Seal	Y	—	—	—	—	1	1	—	—	2902 908-9
	BRACKET, Quarter Outside Panel to Rear Bumper Seal Finished	w/NUT	—	—	—	—	1	1	—	—	2963 670-1
		w/NUT	—	1	—	—	—	—	—	—	2963 696-7
23-34-234	PANEL, Quarter Inside	V	1	—	—	—	—	—	—	—	2604 196-7
	Lwr.	V	1	—	—	—	1	—	—	—	2604 194-5
	Upr.	V	1	—	—	—	1	—	—	—	2604 192-3
		L	—	1	—	—	—	—	—	—	2604 206-7
	Rr. Lwr.	L	—	1	—	—	—	—	—	—	2604 224-5
	Upr.	L	—	—	—	—	1	—	—	—	2603 638-9
	Lwr.	L	—	—	—	—	1	—	—	—	2603 640-1
		L	—	—	1	—	—	—	—	—	2604 208-9
	Upr. w/NUT	L	—	1	—	—	—	—	—	—	2842 770-1
		B	—	—	—	1	—	—	—	—	2604 202-3
		B	—	—	1	—	—	—	—	—	2783 966-7
		B	—	1	—	—	—	—	—	—	2604 198-9
	Upr.	B	—	—	—	1	—	—	—	—	2841 102-3
	Rr. Upr.	B	—	1	—	—	—	—	—	—	2842 472-3
	Rr. Lwr.	B	—	1	—	—	—	—	—	—	2783 434-5
	Rr. Upr., w/NUT	B	—	1	—	—	—	—	—	—	2842 772-3
		R, W	—	—	1	—	—	—	—	—	2838 236-7
		R, W	1	1	—	1	—	—	—	—	3445 456-7
	Upr.	W	—	—	—	1	—	—	—	—	2842 478-9
	Upr., w/NUT	W	—	—	—	1	—	—	—	—	2842 776-7
	Lwr.	W	—	—	—	1	—	—	—	—	2840 372-3
	Upr., w/NUT	R, W	1	1	—	—	—	—	—	—	2842 958-9
	Lwr.	R, W	1	1	—	—	—	—	—	—	2838 326-7
	Upr.	R, W	—	—	—	—	1	—	—	—	2842 798-9
	Lwr.	R, W	—	—	—	—	1	—	—	—	2838 322-3
	Center, Rt.	R, W	—	—	—	—	—	1	1	—	2895 230
	Rr.	R, W	—	—	—	—	—	—	1	1	2811 756-7
	Frnt.	R, W	—	—	—	—	—	—	1	1	2861 678-9
		P	—	—	1	—	—	—	—	—	2900 648-9
		P	1	1	—	—	—	—	—	—	2900 644-5
	Lwr.	P	1	—	—	1	—	1	—	—	2902 392-3
	Lwr.	P	—	—	—	—	1	—	—	—	2900 666-7
	Lwr.	P	—	1	—	—	—	—	—	—	2900 670-1

TYPE LETTERS Indicates

B - Barracuda

V - Valiant
L - DartR - Belvedere
W - CoronetP - Plymouth
D - DodgeC - Chrysler
Y - ImperialNUMERALS INDICATE:
21 - 2 DR. SED.
23 - 2 DR. H.T.27 - CONV. CPE.
29 - FAST BACK
41 - 4 DR. SED.
43 - 4 DR. H.T.45 - 6 PASS. STA. WGN.
46 - 9 PASS. STA. WGN.

AR Indicates use as required.

Indicates parts not listed in any previous parts book

Numerals in parentheses () refer to notes.

★ Indicates change or addition.

Printed in U.S.A.

January 1971

Right and left part numbers are on same line, first number is right, second number is left.

CODE	PART NAME	MODEL CODES	SEE BOTTOM NOTE								PART NUMBER
			21	23	27	29	41	43	45	46	
23-34-0 BODY PANELS Cont'd.											
23-34-234 PANEL Cont'd.											
	Upr.	P, D	—	—	—	—	1	—	—	—	2900 658-9
	Upr.	P, D	1	—	—	1	—	1	—	—	2900 660-1
	Lwr.	D	—	—	—	—	—	1	—	—	2900 668-9
		D	—	—	1	—	—	—	—	—	2900 652-3
	Lwr.	D	—	1	—	—	—	—	—	—	2901 404-5
		D	—	1	—	—	—	—	—	—	2900 650-1
	Lwr.	D	—	—	—	—	1	—	—	—	2900 978-9
	Frnt. Upr.	P, D, C	—	—	—	—	—	—	1	1	2893 986-7
	Rr., w/NUT	P, D, C	—	—	—	—	—	—	1	1	2894 850-1
	Upr., w/NUT	P, D, C, Y	—	1	—	—	—	—	—	—	2902 688-9
		C	—	—	1	—	—	—	—	—	2900 656-7
		C, Y	—	1	—	—	—	—	—	—	2900 654-5
	Upr.	C, Y	—	—	—	—	1	—	—	—	2900 664-5
	Lwr.	C, Y	—	1	—	—	—	—	—	—	2901 406-7
	Upr.	C, Y	—	—	—	—	—	1	—	—	2900 042-3
	Lwr.	C, Y	—	—	—	—	1	1	—	—	2900 672-3
23-34-235 PANEL, Quarter Outside Repair											
		V	1	—	—	—	—	—	—	—	2902 562-3
		V	—	—	—	—	1	—	—	—	2902 570-1
		B	—	1	—	—	—	—	—	—	2902 564-5
		B	—	—	—	1	—	—	—	—	2902 566-7
		B	—	—	1	—	—	—	—	—	2902 568-9
		L	—	1	—	—	—	—	—	—	2902 572-3
		L	—	—	1	—	—	—	—	—	2902 574-5
		L	—	—	—	—	1	—	—	—	2902 576-7
		R	—	—	1	—	—	—	—	—	2900 894-5
		R	1	1	—	—	—	—	—	—	2900 892-3
		R	—	—	—	—	1	—	—	—	2900 896-7
		R	—	—	—	—	—	—	1	1	3439 186-7
		W	1	1	—	—	—	—	—	—	2902 628-9
		W	—	—	—	1	—	—	—	—	2902 634-5
		W	—	—	1	—	—	—	—	—	2902 632-3
		W	—	—	—	—	1	—	—	—	2902 630-1
		W	—	—	—	—	—	—	1	1	3439 186-7
		P	—	—	—	1	—	—	—	—	2965 090-1
		P	1	—	—	—	—	—	—	—	2900 614-5
		P	—	1	—	—	—	—	—	—	2900 616-7
		P	—	—	1	—	—	—	—	—	2900 622-3
		P	—	—	—	—	1	—	—	—	2900 618-9
		P	—	—	—	—	—	1	—	—	2900 620-1
		P	—	—	—	—	—	—	1	1	2893 198-9
		D	—	1	—	—	—	—	—	—	2900 624-5
		D	—	—	1	—	—	—	—	—	2900 630-1
		D	—	—	—	—	1	—	—	—	2900 626-7
		D	—	—	—	—	—	1	—	—	2900 628-9
		D	—	—	—	—	—	—	1	1	2893 200-1
		C	—	1	—	—	—	—	—	—	3444 418-9
		C	—	—	1	—	—	—	—	—	2900 634-5
		C	—	—	—	—	1	1	—	—	2900 040-1
		C	—	—	—	—	—	—	1	1	2893 202-3
		Y	—	1	—	—	—	—	—	—	3444 418-9
		Y	—	—	—	—	1	1	—	—	3444 420-1
23-34-237 PLUG, Quarter Panel Access Hole											
		B	—	—	—	2	—	—	—	—	2811 998
		L	—	2	2	—	—	—	—	—	2783 355
23-34-238 NAMEPLATE, Quarter Outside (1)											
23-34-240 SHIELD, Quarter Panel Rear Stone											
		R, W	—	—	—	—	—	—	2	2	2842 791

TYPE LETTERS Indicates	B - Barracuda	V - Valiant L - Dart	R - Belvedere W - Coronet	P - Plymouth D - Dodge	C - Chrysler Y - Imperial
NUMERALS INDICATE:	21 - 2 DR. SED. 23 - 2 DR. H.T.	27 - CONV. CPE. 29 - FAST BACK	41 - 4 DR. SED. 43 - 4 DR. H.T.	45 - 6 PASS. STA. WGN. 46 - 9 PASS. STA. WGN.	

AR Indicates use as required. Numerals in parentheses () refer to notes. Printed in U.S.A.
 # Indicates parts not listed in any previous parts book. ★ Indicates change or addition. January 1971
 Right and left part numbers are on same line, first number is right, second number is left.

CODE	PART NAME	MODEL CODES	SEE BOTTOM NOTE								PART NUMBER
			21	23	27	29	41	43	45	46	
23-34-0 BODY PANELS Cont'd.											
23-34-242	EXTENSION, Quarter Outside Panel To Rr. Floor Pan Side	V	1	—	—	—	1	—	—	—	2902 702-3
		V	1	—	—	—	1	—	—	—	2604 168-9
		L	—	1	1	—	1	—	—	—	2839 648-9
	To Rr. Floor Pan Side	L	—	1	1	—	1	—	—	—	2603 622-3
		Rr. Upper	W	—	—	—	1	—	—	—	2841 516-7
		End	W	1	1	1	—	1	—	—	2900 918-9
		End	R	1	1	1	—	1	—	—	2900 902-3
	To Rr. Floor Pan Side	R	1	1	1	—	1	—	—	—	2839 542-3
	To Rr. Floor Pan Side	W	1	1	1	—	1	—	—	—	2839 544-5
		Rr.	R-K, R-L, R-H, W-K, W-L, W-H	—	—	—	—	—	1	1	2894 254-5
		RR.	R-P, W-P	—	—	—	—	—	1	1	2894 254-5
		Rr. Lwr.	W	—	—	—	1	—	—	—	2838 008-9
		Rr. Upr.	R, W	—	—	—	—	—	1	1	2860 190-1
		End	P	1	1	1	—	1	1	—	2900 532-3
		Rr.	P	—	—	—	—	—	1	1	2894 434-5
		End	D	1	1	1	—	1	1	—	2900 538-9
		Rr.	D	—	—	—	—	—	1	1	2893 216-7
		End	C	—	1	1	—	—	—	—	2901 394-5
		End	C	—	—	—	—	1	1	—	3444 468-9
		Rr.	C	—	—	—	—	—	1	1	2893 218-9
		End	Y	—	1	—	—	—	—	—	2901 400-1
		End	Y	—	—	—	—	1	1	—	2900 860-1
NOTE: (1) See Exterior Moulding Illustrations in Illustration Catalog.											
23-34-244	SEAL, Quarter Panel End Extension to Bumper	P,D,C	—	—	—	—	—	—	1	1	2894 730-1
		Y	—	1	—	—	—	—	—	—	3446 432-3
23-34-245	RETAINER, Quarter Outside Panel to Rear Bumper Seal	P,D,C	—	—	—	—	—	—	2	2	2895 244
		Y	—	—	—	—	1	1	—	—	2902 902-3
		Y	—	1	—	—	—	—	—	—	2963 638-9
23-34-246	REINFORCEMENT, Quarter Outside Panel at Belt	B	—	—	1	—	—	—	—	—	2783 928-9
		L	—	—	1	—	—	—	—	—	2604 290-1
		B, L	—	1	—	—	—	—	—	—	2604 286-7
		R	—	—	1	—	—	—	—	—	2838 208-9
		W	—	—	1	—	—	—	—	—	2838 210-1
		P	—	—	1	—	—	—	—	—	2901 062-3
		D	—	—	1	—	—	—	—	—	2901 064-5
		C	—	—	1	—	—	—	—	—	2901 066-7
	REINFORCEMENT, Quarter Outside Panel End	P	1	1	1	1	1	1	—	—	2900 714-5
		D	—	1	1	—	1	1	—	—	2900 716-7
		C, Y	—	—	—	—	1	1	—	—	2900 718-9
		C, Y	—	1	1	—	—	—	—	—	2901 636-7
	REINFORCEMENT, Quarter Outside Panel Rear Extension Opening w/NUT	R, W	—	—	—	—	—	—	1	1	2894 942-3
	SUPPORT, Quarter Outside Panel to Rear Bumper Seal	Y	—	1	—	—	—	—	—	—	2963 662-3
23-34-248	SUPPORT, Quarter Inside Panel Rear Floor Pan Upper Panel Attaching	R, W	—	—	—	—	—	—	1	1	2573 989

TYPE LETTERS Indicates

B - Barracuda

V - Valiant
L - DartR - Belvedere
W - CoronetP - Plymouth
D - DodgeC - Chrysler
Y - Imperial

NUMERALS INDICATE:

21 - 2 DR. SED.

23 - 2 DR. H.T.

27 - CONV. CPE.

29 - FAST BACK

41 - 4 DR. SED.

43 - 4 DR. H.T.

45 - 6 PASS. STA. WGN.

46 - 9 PASS. STA. WGN.

AR Indicates use as required.

Indicates parts not listed in any previous parts book

Numerals in parentheses () refer to notes.

★ Indicates change or addition.

Printed in U.S.A.

January 1971

Right and left part numbers are on same line, first number is right, second number is left.

CODE	PART NAME	MODEL CODES	SEE BOTTOM NOTE						PART NUMBER			
			21	23	27	29	41	43		45	46	
23-34-0 BODY PANELS Cont'd.												
23-34-248	SUPPORT Cont'd. BRACKET, Quarter Inside Panel Support to Wheelhouse Cap	P D C	—	—	1	—	—	—	—	2901 148-9 2901 150-1 2901 152-3		
	BRACE, Quarter Inside Panel Support to Wheelhouse Outer	P D C	—	—	1	—	—	—	—	2902 960-1 2902 962-3 2902 964-5		
23-34-249	REINFORCEMENT, Quarter Inside Panel Belt	P, D, C P, D, CY	—	—	1	—	—	—	—	2901 986-7 2965 106-7		
	REINFORCEMENT, Quarter Inside Panel Support Upper	P, D, C	—	1	—	1	—	—	—	2965 106-7		
	BRACKET, Wheelhouse Inner Rear Floor Pan Cover Support Att.	R, W P, D, C	—	—	1	—	—	—	—	2574 858-9 2901 988-9		
		R, W	—	—	—	—	—	1	1	2573 986-7		
23-34-252	SUPPORT, Deck Opening Lower Panel to Quarter Outside Panel Reinforcement	P	—	1	1	1	1	—	—	2901 562-3		
	SUPPORT, Quarter Outside Panel End Reinforcement	Y Y	—	1	—	—	—	—	—	2902 696-7 2902 398-9		
23-34-253	DOOR, Quarter Panel Fuel Filler Tube Hsg.	P D C	—	—	—	—	—	1	1	2894 065 2894 067 2894 069		
23-34-255	SPRING, Quarter Panel Fuel Filler Hsg. P, D, C		—	—	—	—	—	2	2	—	2811 141	
23-34-257	GUSSET, Quarter Belt Bar to Wheelhouse to Rear Quarter Pillar	P D	—	—	1	—	—	—	—	2901 078-9 2901 080-1		
	GUSSET, Deck Opening Lower Panel Tail Lamp Opening Reinforcement	C-E	—	1	1	—	1	1	—	—	2902 520-1	
23-34-270	BUMPER, Quarter Panel Gas Filler Door	P, D, C	—	—	—	—	—	2	2	—	2811 139	
23-34-275	BUMPER, Quarter Outside Panel Jack	V L	2	—	—	—	2	—	—	—	2782 827 2839 486-7	
23-34-280	FILLER, Quarter Panel Tail Lamp Opening	P D	—	—	—	—	—	—	1	1	2894 486 2894 488	
	FILLER, Quarter Outside Panel to Rear Lower Pillar	Rt. Rt.	—	—	—	—	—	—	1	1	—	2860 139
23-34-281	GASKET, Quarter Outside Panel End Extension	R W P D	1	1	1	—	1	—	—	—	2963 938-9 2900 920 2900 517 2900 598	

TYPE LETTERS Indicates B - Barracuda V - Valiant R - Belvedere P - Plymouth C - Chrysler
L - Dart W - Coronet D - Dodge Y - Imperial

NUMERALS INDICATE: 21 - 2 DR. SED. 27 - CONV. CPE. 41 - 4 DR. SED. 45 - 6 PASS. STA. WGN.
23 - 2 DR. H.T. 29 - FAST BACK 43 - 4 DR. H.T. 46 - 9 PASS. STA. WGN.

AR Indicates use as required. Numerals in parentheses () refer to notes. Printed in U.S.A.
Indicates parts not listed in any previous parts book ★ Indicates change or addition. January 1971

Right and left part numbers are on same line, first number is right, second number is left.

CODE	PART NAME	MODEL CODES	SEE BOTTOM NOTE								PART NUMBER
			21	23	27	29	41	43	45	46	
23-34-0 BODY PANELS Cont'd.											
23-34-281	GASKET Cont'd.	C, Y	—	2	2	—	—	—	—	—	2901 430
		C	—	—	—	—	2	2	—	—	2900 599
		Y	—	—	—	—	2	2	—	—	2900 600
	GASKET, Quarter Panel Rear Upper Extension	W	—	—	—	2	—	—	—	—	2841 518
		R, W	—	—	—	—	—	—	2	2	2861 188
	GASKET, Quarter Outside Panel Rear Extension	R, W	—	—	—	—	—	—	2	2	2861 188
23-34-293	HEADER, Roof Rear	R, W	—	—	—	—	—	—	1	1	2576 992
	Complete	P, D, C	—	—	—	—	—	—	1	1	2934 429
23-34-301	PANEL, Roof	V	1	—	—	—	1	—	—	—	2842 322
		B	—	1	—	—	—	—	—	—	2842 324
		B	—	—	—	1	—	—	—	—	2842 325
		L	—	1	—	—	—	—	—	—	2842 323
		L	—	—	—	—	1	—	—	—	2842 326
		R, W	1	1	—	—	—	—	—	—	2838 573
		R, W	—	—	—	—	1	—	—	—	2838 572
		R, W	—	—	—	—	—	—	1	1	2529 831
		W	—	—	—	1	—	—	—	—	2838 103
	Extension	W-500	—	—	—	—	1	—	—	—	3412 162
	Extension	W-500	—	—	—	1	—	—	—	—	3412 567
		P, D	1	—	—	1	—	1	—	—	2900 207
		P, D	—	—	—	—	—	1	—	—	2900 206
		P, D, C	—	—	—	—	—	—	1	1	2893 229
		P, D, C, Y	—	1	—	—	—	—	—	—	2900 208
		C, Y	—	—	—	—	—	1	—	—	2900 209
		C, Y	—	—	—	—	—	—	1	—	2900 116
23-34-305	ROD and RETAINER, Quarter Wheel Opening Panel Locking	P-M, P-H	—	1	1	1	—	1	—	—	2902 876-7
		P-P	—	1	—	1	—	1	—	—	2902 876-7
		P	2	—	—	—	—	2	—	—	2902 876-7
	CANADA	P-L	—	1	—	—	—	—	—	—	2902 876-7
23-34-306	CATCH, Quarter Wheel Opening Panel Locking Rod	P-M, P-H	—	2	2	—	—	2	—	—	2902 871
		P-P	—	2	—	2	—	2	—	—	2902 871
		P	2	—	—	—	—	2	—	—	2902 871
	Canada	P-L	—	2	—	—	—	—	—	—	2902 871
23-34-308	MOTOR, Charger Sun Roof	W	—	—	—	1	—	—	—	—	3412 549
	SWITCH, Charger Sun Roof	W	—	—	—	1	—	—	—	—	3412 550
	GEAR BOX, Charger Sun Roof	W	—	—	—	1	—	—	—	—	3412 551
	DRIVE PINION, Charger Sun Roof	W	—	—	—	1	—	—	—	—	3412 552
	SCREW, Charger Sun Roof Clutch Adj.	W	—	—	—	1	—	—	—	—	3412 553
	SLIDE w/Cable, Charger Sun Roof Rear Right and Left	W	—	—	—	1	—	—	—	—	3412 554
	WEATHERSTRIP, Charger Sun Roof Front	W	—	—	—	1	—	—	—	—	3412 555
	WEATHERSTRIP, Charger Sun Roof Rear	W	—	—	—	1	—	—	—	—	3412 556
	DRIVE COUPLING, Charger Sun Roof	W	—	—	—	1	—	—	—	—	3412 557
	CRANK, Charger Sun Roof Emergency Operating	W	—	—	—	1	—	—	—	—	3412 558
23-34-326	FILLER, Shelf Panel Extension	W	—	—	—	1	—	—	—	—	2841 366-7
		R, W	1	1	—	—	—	—	—	—	2841 158-9

TYPE LETTERS Indicates

B - Barracuda

V - Valiant
L - DartR - Belvedere
W - CoronetP - Plymouth
D - DodgeC - Chrysler
Y - Imperial

NUMERALS INDICATE:

21 - 2 DR. SED.

23 - 2 DR. H.T.

27 - CONV. CPE.

29 - FAST BACK

41 - 4 DR. SED.

43 - 4 DR. H.T.

45 - 6 PASS. STA. WGN.

46 - 9 PASS. STA. WGN.

AR Indicates use as required.

Indicates parts not listed in any previous parts book

Numerals in parentheses () refer to notes.

★ Indicates change or addition.

Printed in U.S.A.

January 1971

Right and left part numbers are on same line, first number is right, second number is left.

CODE	PART NAME	MODEL CODES	SEE BOTTOM NOTE								PART NUMBER
			21	23	27	29	41	43	45	46	
23-34-0 BODY PANELS Cont'd.											
23-34-328	BRACE, Shelf Panel to Deck Opening Upper Panel	V	1	—	—	—	1	—	—	—	2782 746
		L	—	1	—	—	1	—	—	—	2782 746
23-34-329	OVERLAY, Quarter Outside Panel	R-P, W-P	—	—	—	—	—	—	2	2	2965 447
		P-M	—	—	—	—	—	—	2	2	2902 145
		D-H	—	—	—	—	—	—	2	2	2902 295
		C-E	—	2	—	2	—	—	—	—	2964 583
		C-P	—	—	—	—	—	—	2	2	2902 453
	OVERLAY, Rear Quarter Outside Extension	W-P	—	—	—	—	—	—	2	2	3444 714-5
		D-H	—	—	—	—	—	—	2	2	2964 558-9
	Lower	D-H	—	—	—	—	—	—	1	1	3444 788-9
		C-P	—	—	—	—	—	—	1	1	2902 448-9
	OVERLAY, Taillamp Opening, Panel Outside	C-E	—	1	—	1	—	—	—	—	2964 575
	OVERLAY, Quarter Outside Fuel Filler Door	P-M	—	—	—	—	—	—	1	1	2963 995
		D-H	—	—	—	—	—	—	1	1	2963 997
		C-P	—	—	—	—	—	—	1	1	2902 439
23-34-330	EXTENSION, Shelf Panel Rear	L	—	1	—	—	—	—	—	—	2839 402-3
		L	—	—	—	—	1	—	—	—	2604 996-7
23-34-334	MEDALLION, ORNAMENT or LOUVER, Quarter Panel (1)										
23-34-346	BRACKET, Quarter Panel Wheelhouse to Fuel Tank Stone Deflector Lower	P, D, C	—	—	—	—	—	—	1	1	2894 002
NOTE: (1) See Exterior Moulding Illustrations in Illustration Catalog.											
23-36-0 PILLARS											
23-36-3	FILLER, Body Front Pillar Lower to Instrument Panel	V	1	—	—	—	1	—	—	—	2664 532-3
		L	—	1	—	—	1	—	—	—	2664 532-3
23-36-5	PILLAR, Body Center	V, L	—	—	—	—	1	—	—	—	2769 174-5
		R, W	—	—	—	—	1	—	1	1	2859 572-3
		P, D, C, Y	—	—	—	—	—	—	1	—	2859 888-9
		P, D, C, Y	—	—	—	—	1	—	1	1	2859 886-7
23-36-12	SUPPORT, Front Floor to Center Pillar	P	—	—	—	—	—	—	1	—	2902 380-1
		D	—	—	—	—	—	—	1	—	2902 382-3
		C, Y	—	—	—	—	—	—	1	—	2900 942-3
23-36-18	PLUG, Quarter Panel Tailgate Lock Inner Pillar	R, W	—	—	—	—	—	—	1	1	2861 654
		P, D, C	—	—	—	—	—	—	2	2	2894 902
	PLUG, Tailgate Pillar Hinge Access Hole	P, D, C	—	—	—	—	—	—	1	1	2480 957
	Lt. PLUG, Body Lock Pillar Gage Hole 1/2" Dia.	P	2	—	—	—	—	—	—	—	1878 752
23-36-20	EXTENSION, Floor Pan to Center Pillar w/NUT	P, D, C, Y	—	—	—	—	—	—	1	—	2902 642-3

TYPE LETTERS Indicates	B - Barracuda	V - Valiant L - Dart	R - Belvedere W - Coronet	P - Plymouth D - Dodge	C - Chrysler Y - Imperial
NUMERALS INDICATE:	21 - 2 DR. SED. 23 - 2 DR. H.T.	27 - CONV. CPE. 29 - FAST BACK	41 - 4 DR. SED. 43 - 4 DR. H.T.	45 - 6 PASS. STA. WGN. 46 - 9 PASS. STA. WGN.	

AR Indicates use as required. Numerals in parentheses () refer to notes. Printed in U.S.A.
 # Indicates parts not listed in any previous parts book. ★ Indicates change or addition. January 1971
 Right and left part numbers are on same line, first number is right, second number is left.

CODE	PART NAME	MODEL CODES	SEE BOTTOM NOTE								PART NUMBER
			21	23	27	29	41	43	45	46	
23-36-0 PILLARS Cont'd.											
23-36-53	PILLAR, Body Lock	V	—	—	—	—	1	—	—	—	2782 738-9
	Upr.	V, L	1	—	—	—	—	—	—	—	2604 254-5
	Lwr.	V, L	1	—	—	—	—	—	—	—	2604 256-7
		B	—	—	1	—	—	—	—	—	2783 924-5
		B	—	1	—	1	—	—	—	—	2783 440-1
		L	—	—	1	—	—	—	—	—	2604 262-3
		L	—	—	—	—	1	—	—	—	2604 260-1
		L	—	1	—	—	—	—	—	—	2604 258-9
	Upr.	R, W	1	—	—	—	—	—	—	—	2838 398-9
	Lwr.	R, W	1	—	—	—	—	—	—	—	2838 722-3
		R, W	—	1	—	—	—	—	—	—	2838 786-7
		R, W	—	—	1	—	—	—	—	—	2840 284-5
		R	—	—	—	—	1	—	—	—	2838 404-5
		W	—	—	—	—	1	—	—	—	2838 406-7
		W	—	—	—	1	—	—	—	—	2838 024-5
	Upr.	P	1	—	—	—	—	—	—	—	2900 688-9
	Lwr.	P	1	—	—	—	—	—	—	—	2900 690-1
		P	—	—	1	—	—	—	—	—	2901 048-9
		P	—	1	—	†	—	—	—	—	2900 692-3
		P	—	—	—	—	1	—	—	—	2900 694-5
		P	—	—	—	—	—	1	—	—	2900 696-7
		D	—	1	—	—	—	—	—	—	2900 698-9
		D	—	—	1	—	—	—	—	—	2901 050-1
		D	—	—	—	—	1	—	—	—	2900 700-1
		D	—	—	—	—	—	1	—	—	2900 702-3
		C	—	—	1	—	—	—	—	—	2901 052-3
		C, Y	—	1	—	—	—	—	—	—	2900 704-5
		C, Y	—	—	—	—	1	1	—	—	2900 074-5
	PILLAR, Quarter Panel Rear Door Lock										
	Lwr.	R, W	—	—	—	—	—	—	1	1	2811 744-5
	Upr., Outer	R, W	—	—	—	—	—	—	1	1	2811 748-9
	Upr., Inner	R, W	—	—	—	—	—	—	1	1	2811 746-7
	Lwr.	P	—	—	—	—	—	—	1	1	2893 976-7
	Lwr.	D	—	—	—	—	—	—	1	1	2893 978-9
	Lwr.	C	—	—	—	—	—	—	1	1	2893 232-3
	Upr., Inner	P, D, C	—	—	—	—	—	—	1	1	2893 234-5
	Upr., Outer	P, D, C	—	—	—	—	—	—	1	1	2893 236-7
	PILLAR, Quarter Panel Tailgate Hinge										
	Lwr., Inner, Rt.	R, W	—	—	—	—	—	—	1	1	2859 440
	Inner, Lt.	P, D, C	—	—	—	—	—	—	1	1	2895 193
	PILLAR, Quarter Panel Tailgate Lock Lower Inner										
		R, W	—	—	—	—	—	—	1	1	2811 494-5
		P, D, C	—	—	—	—	—	—	1	1	2934 496
	EXTENSION, Body Lock Pillar to Wheelhouse										
		P, C	—	—	—	—	—	—	1	1	2900 550-1
		D	—	—	—	—	1	1	1	1	2900 550-1
	EXTENSION, Quarter Panel Rear Door Lock Upper Pillar to Wheelhouse										
		R, W	—	—	—	—	—	—	1	1	2860 132-3
23-36-54	TAPPING PLATE, Quarter Panel Tailgate Inner to Outer Pillar Hinge Inner Reinforcement										
	Upr., Lt.	R, W	—	—	—	—	—	—	1	1	2860 487
	Lwr., Lt.	R, W	—	—	—	—	—	—	1	1	2860 488

TYPE LETTERS Indicates

B - Barracuda

V - Valiant
L - DartR - Belvedere
W - CoronetP - Plymouth
D - DodgeC - Chrysler
Y - Imperial

NUMERALS INDICATE:

21 - 2 DR. SED.

23 - 2 DR. H.T.

27 - CONV. CPE.

29 - FAST BACK

41 - 4 DR. SED.

43 - 4 DR. H.T.

45 - 6 PASS. STA. WGN.

46 - 9 PASS. STA. WGN.

AR Indicates use as required.

Indicates parts not listed in any previous parts book

Numerals in parentheses () refer to notes.

★ Indicates change or addition.

Printed in U.S.A.

January 1971

Right and left part numbers are on same line, first number is right, second number is left.

CODE	PART NAME	MODEL CODES	SEE BOTTOM NOTE								PART NUMBER	
			21	23	27	29	41	43	45	46		
23-36-0 PILLARS Cont'd.												
23-36-66	REINFORCEMENT, Body Lock Pillar	Upr.	V	1	—	—	—	—	—	—	—	2604 270-1
			B	—	1	1	1	—	—	—	—	2604 850-1
			L	—	1	1	—	—	—	—	—	2604 850-1
		Upr.	R, W	1	—	—	—	—	—	—	—	2838 726-7
			R, W	1	1	1	1	—	—	—	—	2529 564-5
	At Belt		R, W	—	1	—	1	—	—	—	—	2603 722-3
		Upr.	W	—	—	—	1	—	—	—	—	2842 824-5
		Upr.	P	2	—	—	—	—	—	—	—	2900 710
	To Wheelhouse	Lwr.	P, D, C	—	—	—	—	—	1	1	—	2894 028-9
		Lwr.	P, D, C	—	1	1	1	—	—	—	—	2900 712-3
	REINFORCEMENT, Body Lock Pillar Lock Striker		P, D, C, Y	2	2	2	2	—	—	—	—	2964 648
23-36-118	PILLAR, Quarter Panel Tailgate	Lwr., Lt.	R, W	—	—	—	—	—	1	1	—	2860 486
		Upr., Outer	P	—	—	—	—	—	1	1	—	2894 228-9
		Upr., Outer	D	—	—	—	—	—	1	1	—	2894 230-1
		Upr., Outer	C	—	—	—	—	—	1	1	—	2894 232-3
	PILLAR, Quarter Panel Tailgate Opening Upper	Inner	R, W	—	—	—	—	—	1	1	—	2860 092-3
		Inner	P, D, C	—	—	—	—	—	1	1	—	2895 128-9
		Outer	P, D, C	—	—	—	—	—	1	1	—	2895 130-1
	PILLAR and PILLAR PATCH, Quarter Panel Tailgate Outer		R, W	—	—	—	—	—	1	1	—	2859 548-9
23-36-120	PILLAR, Rear Quarter		B	—	—	1	—	—	—	—	—	2783 938-9
			L	—	—	1	—	—	—	—	—	2604 906-7
23-36-123	HANDLE, Quarter Panel Outside Tailgate Pillar Upper Assist		P, D, C	—	—	—	—	—	1	1	—	2894 576-7
23-36-124	MOULDING, Quarter Panel Outside Tailgate Assist Handle		P, D, C	—	—	—	—	—	2	2	—	2895 039
23-36-125	REINFORCEMENT, Quarter Panel Tailgate Pillar	Lwr.	R, W	—	—	—	—	—	1	1	—	2860 192-3
	To Roof Rail Support		P, D, C	—	—	—	—	—	1	1	—	2894 030
	To Quarter Pillar Hinge	Lt.	P, D, C	—	—	—	—	—	1	1	—	2894 193
	To Sill Hinge Pivot Support		P, D, C	—	—	—	—	—	1	1	—	2894 859
	To Roof Rail Front Support	Lt.	P, D, C	—	—	—	—	—	1	1	—	2894 775
	SUPPORT, Quarter Panel Tailgate Pillar	Rr.	P	—	—	—	—	—	1	1	—	2894 934-5
	To Roof Rail	Rr.	D	—	—	—	—	—	1	1	—	2894 936-7
	To Roof Rail	Rr.	C	—	—	—	—	—	1	1	—	2894 938-9
	To Roof Rail	Frnt.	P, D, C	—	—	—	—	—	1	1	—	2894 056-7
	To Sill Hinge Pivot	Lt.	P, D, C	—	—	—	—	—	1	1	—	2894 494
	REINFORCEMENT, Quarter Panel Tailgate Inner to Outer Pillar Hinge	Outer	R, W	—	—	—	—	—	1	1	—	2860 099
		Inner Upr.	R, W	—	—	—	—	—	1	1	—	2860 098
		Inner Lwr.	R, W	—	—	—	—	—	1	1	—	2860 475

TYPE LETTERS Indicates
 B - Barracuda V - Valiant R - Belvedere P - Plymouth C - Chrysler
 L - Dart W - Coronet D - Dodge Y - Imperial

NUMERALS INDICATE: 21 - 2 DR. SED. 27 - CONV. CPE. 41 - 4 DR. SED. 45 - 6 PASS. STA. WGN.
 23 - 2 DR. H.T. 29 - FAST BACK 43 - 4 DR. H.T. 46 - 9 PASS. STA. WGN.

AR Indicates use as required. Numerals in parentheses () refer to notes. Printed in U.S.A.
 # Indicates parts not listed in any previous parts book ★ Indicates change or addition. January 1971

Right and left part numbers are on same line, first number is right, second number is left.

CODE	PART NAME	MODEL CODES	SEE BOTTOM NOTE							PART NUMBER	
			21	23	27	29	41	43	45		46
23-36-0 PILLARS Cont'd.											
23-36-133	SPACER, Quarter Panel Tailgate Rear Pillar Bumper Bolt	R, W	—	—	—	—	—	—	2	2	2860 482
23-36-134	DEFLECTOR, Roof Rear Air	Prime	P, D, C	—	—	—	—	—	1	1	2894 586
	NUT and SEAL		P, D, C	—	—	—	—	—	9	9	6026 687
23-38-0 FLOOR TUNNEL CONSOLE											
23-38-1	CONSOLE, Floor Tunnel										
	Manual Trans.	B, L	—	1	1	1	—	—	—	—	2788 859
	Auto. Trans.	B, L	—	1	1	1	—	—	—	—	2589 594
	Manual Trans.	R, W	—	1	1	1	—	—	—	—	2788 367
	Manual Trans.	P, D	—	1	1	—	—	—	—	—	2788 367
	Manual Trans.	C	—	1	1	—	—	1	—	—	2788 367
	Auto. Trans.	R, W	1	1	1	1	—	—	—	—	2788 366
	Auto. Trans.	P, D	—	1	1	1	—	—	—	—	2788 366
	Auto. Trans.	C	—	1	1	—	—	1	—	—	2788 366
23-38-2	EXTENSION, Console to Floor Rear	R, W, P, D	1	1	1	1	—	—	—	—	2788 372
		C	—	1	1	—	—	1	—	—	2788 372
23-38-3	LID, Floor Console Compartment	B, L	—	1	1	1	—	—	—	—	2877 232
	R, W	P, D	—	1	1	1	—	—	—	—	2656 184
		C	—	1	1	—	—	1	—	—	2656 184
23-38-4	NUT, Floor Console Front Plate to Console	B, L	—	8	8	8	—	—	—	—	1839 995
23-38-5	FINISH PLATE, Console										
	Manual Frt.	B, L	—	1	1	1	—	—	—	—	2877 234
	Auto. Frt.	B, L	—	1	1	1	—	—	—	—	2877 233
	Manual Trans. Frt.	R, W	1	1	1	—	—	—	—	—	2657 572
	Manual Trans. Plate Frt.	R, W	1	1	1	1	—	—	—	—	2657 175
	Manual Trans. Rr.	R, W	1	1	1	1	—	—	—	—	2657 573
	Auto. Trans. Plate Frt.	R, W	1	1	1	1	—	—	—	—	2657 580
	Auto. Trans. Frt.	R, W	1	1	1	1	—	—	—	—	2657 571
	Lid	R, W	1	1	1	1	—	—	—	—	2589 806
	Plate, End Cap Frt. Upr.	R, W, P, D, C	1	1	1	—	1	—	—	—	2656 806
	End Cap Frt. Upr.	R, W	1	1	1	1	—	—	—	—	2656 812
	Auto. Trans. Frt.	P, D	—	1	1	1	—	—	—	—	2657 580
	Lid	P, D, C	—	1	1	1	—	—	—	—	2657 587
	Lid	C	—	—	—	—	—	1	—	—	2657 587
	End Cap Frt. Upr.	P, D, C	—	1	1	1	—	—	—	—	2589 552
	End Cap Frt. Upr.	C	—	—	—	—	—	1	—	—	2589 552
	Base Frt.	C	—	1	1	—	—	1	—	—	2657 580
	Base	P, D	—	1	1	1	—	—	—	—	2657 577
	Base	C	—	1	1	—	—	1	—	—	2657 186
23-38-14	HINGE, Floor Console Compartment Lid	B, L	—	1	1	1	—	—	—	—	2589 597
		R, W	1	1	1	1	—	—	—	—	2656 859
		P, D, C	—	1	1	—	—	—	—	—	2656 859
		C	—	1	1	—	—	1	—	—	2656 859
23-38-22	TAPPING PLATE, Console Lid Hinge or Adaptor	R, W	1	1	1	1	—	—	—	—	2876 358

TYPE LETTERS Indicates	B - Barracuda	V - Valiant L - Dart	R - Belvedere W - Coronet	P - Plymouth D - Dodge	C - Chrysler Y - Imperial
NUMERALS INDICATE:	21 - 2 DR. SED. 23 - 2 DR. H.T.	27 - CONV. CPE. 29 - FAST BACK	41 - 4 DR. SED. 43 - 4 DR. H.T.	45 - 6 PASS. STA. WGN. 46 - 9 PASS. STA. WGN.	

AR Indicates use as required.

Numerals in parentheses () refer to notes.

Printed in U.S.A.

Indicates parts not listed in any previous parts book

★ Indicates change or addition.

January 1971

Right and left part numbers are on same line, first number is right, second number is left.

CODE	PART NAME	MODEL CODES	SEE BOTTOM NOTE								PART NUMBER
			21	23	27	29	41	43	45	46	
23-38-0 FLOOR TUNNEL CONSOLE Cont'd.											
23-38-22	TAPPING PLATE Cont'd.	P, D, C	—	1	1	1	—	—	—	—	2876 358
		C	—	—	—	—	—	1	—	—	2876 358
23-38-27	BRACKET, Console Compartment Lid Opening Stop	B, L	—	1	1	1	—	—	—	—	2589 598
	BRACKET, Console to Floor Pan Mounting	B, L	—	1	1	1	—	—	—	—	2839 184
	BRACKET, Console Gear Selector to Floor Pan Mounting w/NUT	B, L	—	1	1	1	—	—	—	—	2839 186
23-38-29	BUMPER, Floor Tunnel Console Lid	B, L	—	AR	AR	AR	—	—	—	—	1651 493
	BUMPER, Console Opening to Lid	R, W	AR	AR	AR	AR	—	—	—	—	2789 126
		P, D, C	—	AR	AR	AR	—	—	—	—	2789 126
		C	—	—	—	—	—	AR	—	—	2789 126
23-38-43	BEZEL, Console End Cap	R, W	1	1	1	1	—	—	—	—	2657 134
		P, D	—	1	1	1	—	—	—	—	2657 134
		C	—	1	1	—	—	1	—	—	2589 728
23-38-44	CLIP, Floor Console Front Plate Front	R, W, P, D, C	1	1	1	1	—	1	—	—	2589 789
	CLIP, Console End Cap Bezel Attaching	R, W, P, D, C	—	2	2	2	—	2	—	—	2789 250
23-38-45	REINFORCEMENT, Console Compartment Lid Opening Stop Bracket	B, L	—	1	1	1	—	—	—	—	2656 088
23-38-46	STRIKER, Console Compartment Lid	R, W	1	1	1	1	—	—	—	—	2789 380
		P, D, C	—	1	1	1	—	—	—	—	2789 380
		C	—	—	—	—	—	1	—	—	2789 380
23-38-47	BUTTON, Console Compartment Lid Opening Stop	B, L	—	1	1	1	—	—	—	—	2656 091
23-38-48	PLATE, Console Rear Opening	B, L	—	1	1	1	—	—	—	—	2656 090

23-39-0 WINDOW LIFT (MANUAL)

23-39-2	SPRING, Door Window Regulator Assist	Frnt.	V, B, L	2	2	2	2	—	—	—	—	2299 819
		Frnt.	R, W	2	2	2	2	—	—	—	—	2583 824
		Frnt.	P, D, C	—	2	—	2	—	—	—	—	2486 851
		Frnt.	V, L, R, W	—	—	—	—	2	—	2	2	2583 559
		Frnt.	P, D, C	2	2	2	—	—	—	—	—	2520 557
		Rr.	V, L, R, W	—	—	—	—	2	—	2	2	2520 534
23-39-5	REGULATOR, Door Window	Frnt.	V, B, L	1	1	1	1	1	—	—	—	2765 792-3
		Frnt.	R, W	1	1	1	1	—	—	—	—	2802 800-1
		Frnt.	P, D, C, Y	—	—	—	—	1	1	1	1	2935 392-3
	Frnt. - w/Vent Window		P, D, C	1	1	1	1	—	—	—	—	2935 394-5
		Frnt.	R, W	—	—	—	—	1	—	1	1	2802 802-3
		Rr.	V, L, R, W	—	—	—	—	1	—	1	1	2583 064-5
		Rr.	P, D, C, Y	—	—	—	—	1	1	1	1	2935 396-7

TYPE LETTERS Indicates	B - Barracuda	V - Valiant L - Dart	R - Belvedere W - Coronet	P - Plymouth D - Dodge	C - Chrysler Y - Imperial
NUMERALS INDICATE:	21 - 2 DR. SED. 23 - 2 DR. H.T.	27 - CONV. CPE. 29 - FAST BACK	41 - 4 DR. SED. 43 - 4 DR. H.T.	45 - 6 PASS. STA. WGN. 46 - 9 PASS. STA. WGN.	

AR Indicates use as required. Numerals in parentheses () refer to notes. Printed in U.S.A.
 # Indicates parts not listed in any previous parts book. ★ Indicates change or addition. January 1971
 Right and left part numbers are on same line, first number is right, second number is left.

CODE	PART NAME	MODEL CODES	SEE BOTTOM NOTE						PART NUMBER	
			21	23	27	29	41	43		45
23-39-0 WINDOW LIFT (MANUAL) Cont'd.										
23-39-5	REGULATOR Cont'd.									
	ARM, Front Door Manual Window Regulator									
	w/o Vent Window	P, D, C	—	1	—	1	—	—	—	2945 968-9
	PLATE and LINK, Front Door Manual Window Regulator Sector									
	w/o Vent Window	P	—	—	—	1	—	—	—	2999 928-9
	w/o Vent Window	P, D, C	—	1	—	—	—	—	—	2945 966-7
23-39-12	SPRING NUT, Quarter Manual Window Regulator Roller Attaching									
		B, L, R, W	—	4	4	4	—	—	—	6000 305
	SPRING WASHER, Front Door Manual Window Regulator									
		P, D, C	—	2	—	2	—	—	—	1954 125
23-39-15	STOP, Window Regulator Down on Plate									
	Frnt.	V, B, L	2	2	—	2	2	—	—	1909 918
	Frnt.	R, W	2	2	2	2	2	—	2	1909 918
	Frnt.	P, D, C	2	2	2	2	2	2	2	1909 918
	Rr.	V, L	—	—	—	2	—	—	—	1909 918
	Rr.	R, W	—	—	—	2	—	2	2	1909 918
	Rr.	P, D, C	—	—	—	2	2	2	2	1909 918
	Qtr.	V, B, L	2	2	2	2	—	—	—	1090 918
	Qtr.	R, W	—	—	2	—	—	—	—	1909 918
	Qtr.	P	2	—	—	—	—	—	—	1909 918
	NOTE: Also see Code 23-64-12.									
23-39-17	BUSHING, Quarter Window Regulator Front Arm to Glass									
		V, L	2	—	—	—	—	—	—	2299 809
	BUSHING, Quarter Window Regulator Rear Arm									
		R, W	—	4	4	4	—	—	—	2583 551
23-39-19	BRACKET and SUPPORT, Front Door Window Regulator Arm Pivot w/o Vent. Window									
		P, D, C, Y	—	2	—	1	—	—	—	2894 786
	SUPPORT and BRACKET, Rear Door Window Regulator Arm Pivot Bracket									
		P, D, C, Y	—	—	—	—	2	2	2	2894 580
	SUPPORT and BRACKET, Rear Door Window Regulator Arm Pivot and Anti-Rattle									
		P, D	—	—	—	—	2	2	2	2895 358
		C	—	—	—	—	—	2	2	2895 358
23-39-29	REGULATOR, Front Door Vent Wing Window									
		P, D, C, Y	1	1	1	1	1	1	1	2935 446-7
	Screw	P, D, C, Y	2	2	2	2	2	2	2	6025 850
23-39-34	REGULATOR, Quarter Window									
		V	1	—	—	—	—	—	—	2862 826-7
		B	—	—	—	1	—	—	—	2862 828-9
		B	—	1	—	—	—	—	—	2999 260-1
		L	—	1	—	—	—	—	—	2862 224-5
		B, L	—	—	1	—	—	—	—	2765 798-9
		R, W	—	—	1	—	—	—	—	2583 032-3
		R, W	—	1	—	1	—	—	—	2583-030-1
		P	1	—	—	—	—	—	—	2935 386-7
		P, D, C	—	1	1	1	—	—	—	2935 388-9
23-39-44	SPRING, Quarter Window Regulator Assist									
		B, L	—	2	—	—	—	—	—	2583 824
		V, B, L	2	—	2	2	—	—	—	2520 534
		R, W	—	—	2	—	—	—	—	2583 541

TYPE LETTERS Indicates B - Barracuda V - Valiant L - Dart R - Belvedere W - Coronet P - Plymouth D - Dodge C - Chrysler Y - Imperial

NUMERALS INDICATE: 21 - 2 DR. SED. 23 - 2 DR. H.T. 27 - CONV. CPE. 29 - FAST BACK 41 - 4 DR. SED. 43 - 4 DR. H.T. 45 - 6 PASS. STA. WGN. 46 - 9 PASS. STA. WGN.

AR Indicates use as required. Numerals in parentheses () refer to notes. Printed in U.S.A. # Indicates parts not listed in any previous parts book. ★ Indicates change or addition. January 1971

Right and left part numbers are on same line, first number is right, second number is left.

CODE	PART NAME	MODEL CODES	SEE BOTTOM NOTE								PART NUMBER
			21	23	27	29	41	43	45	46	
23-39-0 WINDOW LIFT (MANUAL) Cont'd.											
23-39-44	SPRING Cont'd.	R, W	—	2	—	2	—	—	—	—	2853 549
		P	2	—	—	—	—	—	—	—	2945 510
		P,D,C	—	2	2	2	—	—	—	—	2945 126
23-39-45	ROLLER, Door Window Regulator Arm										
	Frnt. Door	V, B, L									
		R, W	2	2	2	2	2	—	2	2	2486 982
		P, D, C	—	2	—	—	2	—	—	—	1697 607
	Rr. Door	V, L, R, W	—	—	—	—	2	—	2	2	2486 982
	ROLLER, Rear Door Window Regulator Pivot Arm	P, D, C	—	—	—	2	2	2	2	2	1697 607
	ROLLER, Quarter Window Regulator										
	Frnt. Arm	B, L	—	2	—	—	—	—	—	—	2862 330
	Frnt. Arm	V, B, L	—	2	2	2	—	—	—	—	2486 982
		R, W	—	2	2	2	—	—	—	—	2486 982
	Rr. Arm	V, B, L	2	2	2	2	—	—	—	—	2486 982
	Pivot Arm	V, B, L, R, W, P, D, C	2	2	2	2	—	—	—	—	1697 607
	ROLLER, Quarter Window Rear Track Slide	B, L	—	2	—	—	—	—	—	—	2862 330
23-39-48	BRACKET, Quarter Window Regulator Arm Pivot										
		B, L	—	2	—	2	—	—	—	—	2782 680
		B, L	—	—	2	—	—	—	—	—	2604 947
	w/SCREW	V	2	—	—	—	—	—	—	—	2782 679
	w/SCREW	R, W	—	—	2	—	—	—	—	—	2602 773
	w/SCREW	R, W	—	2	—	2	—	—	—	—	2603 332
	w/SCREW	P, D, C	—	—	2	—	—	—	—	—	2901 649
	w/SCREW	P, D, C, Y	2	2	—	2	—	—	—	—	2900 976
23-39-49	SUPPORT, Quarter Window Regulator Arm Pivot Bracket	P, D, C, Y	1	1	—	1	—	—	—	—	2902 490-1
23-39-53	CLIP, Quarter Window Regulator Attaching	V	2	—	—	—	—	—	—	—	2243 390

23-40-0 ROOF RAIL AND LUGGAGE RACK

23-40-82	SUPPORT, Rear Window Frame to Rear Headlining Bow										
		V	2	—	—	—	2	—	—	—	2657 042
	Outer	L	—	—	—	—	2	—	—	—	2589 422
		L	—	2	—	—	—	—	—	—	2788 320
	Outer	R, W	—	—	—	—	2	—	—	—	2581 324
		P, D	2	2	—	2	—	2	—	—	2878 008
		P, D	—	—	—	—	2	—	—	—	2589 377
		C, Y	—	2	—	—	—	—	—	—	2878 008
		C, Y	—	—	—	—	2	—	—	—	2878 024
		C, Y	—	—	—	—	—	2	—	—	2878 032
	SUPPORT, Headlining Bow to Rear Window Frame										
	Outer	B	—	2	—	2	—	—	—	—	2788 978
	SUPPORT, Rear Window Frame to Rear Headlining Wire										
		W	—	—	—	2	—	—	—	—	2789 941
		R, W	2	2	—	—	—	—	—	—	2877 069
23-40-85	RAIL, Roof Side	V	1	—	—	—	—	—	—	—	2842 442-3

TYPE LETTERS Indicates	B - Barracuda	V - Valiant L - Dart	R - Belvedere W - Coronet	P - Plymouth D - Dodge	C - Chrysler Y - Imperial
NUMERALS INDICATE:	21 - 2 DR. SED. 23 - 2 DR. H.T.	27 - CONV. CPE. 29 - FAST BACK	41 - 4 DR. SED. 43 - 4 DR. H.T.	45 - 6 PASS. STA. WGN. 46 - 9 PASS. STA. WGN.	

AR Indicates use as required.

Indicates parts not listed in any previous parts book

Numerals in parentheses () refer to notes.

★ Indicates change or addition.

Printed in U.S.A.

January 1971

Right and left part numbers are on same line, first number is right, second number is left.

CODE	PART NAME	MODEL CODES	SEE BOTTOM NOTE							PART NUMBER	
			21	23	27	29	41	43	45		46
23-40-0	ROOF RAIL AND LUGGAGE RACK Cont'd.										
23-40-85	RAIL Cont'd.	V	1	—	—	—	—	—	—	—	2842 768-9
	w/NUT	V, L	—	—	—	—	1	—	—	—	2842 444-5
	w/NUT	V, L	—	—	—	—	1	—	—	—	2842 766-7
	Inner	L	—	1	—	—	—	—	—	—	2842 448-9
	Outer	L	—	1	—	—	—	—	—	—	3446 198-9
	Inner	B	—	1	—	—	—	—	—	—	2842 446-7
	Outer	B	—	1	—	—	—	—	—	—	2842 572-3
	Inner	B	—	—	—	1	—	—	—	—	2842 466-7
	Outer	B	—	—	—	1	—	—	—	—	2842 576-7
	w/NUT	Inner	—	—	—	1	—	—	—	—	2842 764-5
	w/NUT	Inner	—	—	—	—	1	—	—	—	2842 778-9
		Inner	—	—	—	—	1	—	—	—	2842 452-3
		Inner	1	1	—	1	—	—	—	—	2842 450-1
		Outer	1	1	—	1	—	—	—	—	2838 574-5
		Inner Frt.	—	—	—	—	—	—	1	1	2861 696-7
		Inner Rr.	—	—	—	—	—	—	1	1	2861 526-7
	w/NUT	Inner Frt.	—	—	—	—	—	—	1	1	2861 810-1
		Outer Frt.	—	—	—	—	—	—	1	1	2529 842-3
		Outer Rr.	—	—	—	—	—	—	1	1	2529 844-5
		Rr. Corner Inner	—	—	—	—	—	—	1	1	2529 852-3
		Rr. Corner Outer	—	—	—	—	—	—	1	1	2529 850-1
	w/NUT	Inner	1	—	—	—	—	—	—	—	2902 682-3
		Outer	1	—	—	—	—	—	—	—	2902 308-9
		Inner	—	—	—	1	—	1	—	—	2902 682-3
		Outer	—	—	—	1	—	1	—	—	2900 212-3
		Inner	—	1	—	—	—	—	—	—	2900 222-3
		Outer	—	1	—	—	—	—	—	—	2900 214-5
	w/NUT	Inner	—	—	—	—	1	—	—	—	2902 680-1
		Outer	—	—	—	—	1	—	—	—	2900 210-1
	w/NUT	Inner	—	—	—	—	—	1	—	—	2902 686-7
		Outer	—	—	—	—	—	1	—	—	2900 120-1
	w/NUT	Inner	—	—	—	—	1	—	—	—	2902 684-5
		Outer	—	—	—	—	1	—	—	—	2900 216-7
		Frt. Inner	—	—	—	—	—	—	1	1	2893 280-1
		Frt. Outer	—	—	—	—	—	—	1	1	2893 286-7
		Rr. Inner	—	—	—	—	—	—	1	1	2893 282-3
		Rr. Outer	—	—	—	—	—	—	1	1	2893 288-9
	Corner	Inner	—	—	—	—	—	—	1	1	2895 198-9
	Corner	Outer	—	—	—	—	—	—	1	1	2894 120-1
23-40-86	REINFORCEMENT, Roof Bow to W/Shield Header for Roof Flasher Signal	R, W	1	—	—	—	—	—	—	—	2840 719
		R, W	—	—	—	—	1	—	—	—	2838 583
		R, W	—	—	—	—	—	—	1	1	2839 679
		P-K	1	—	—	—	—	—	—	—	2902 804
		P-E, P-L,	—	—	—	—	—	—	—	—	—
		P-M	1	—	—	—	—	—	—	—	2900 804
		P, D	—	—	—	—	1	—	—	—	2902 804
		D-K, D-L, D-H	—	—	—	1	—	—	—	—	2902 804
23-40-92	EXTENSION, Roof Side Rail	Inner	—	—	—	1	—	—	—	—	2604 042-3
		Outer	—	—	—	1	—	—	—	—	2604 044-5
		Outer	1	1	—	1	—	—	—	—	2838 558-9
		Outer	—	—	—	—	1	—	—	—	2900 148-9
		Outer	1	—	—	1	—	1	—	—	2900 156-7
		Outer	—	1	—	—	—	—	—	—	2900 158-9

TYPE LETTERS INDICATES	B - Barracuda	V - Valiant L - Dart	R - Belvedere W - Coronet	P - Plymouth D - Dodge	C - Chrysler Y - Imperial
NUMERALS INDICATE:	21 - 2 DR. SED. 23 - 2 DR. H.T.	27 - CONV. CPE. 29 - FAST BACK	41 - 4 DR. SED. 43 - 4 DR. H.T.	45 - 6 PASS. STA. WGN. 46 - 9 PASS. STA. WGN.	

AR Indicates use as required.

Numerals in parentheses () refer to notes.

Printed in U.S.A.

Indicates parts not listed in any previous parts book

★ Indicates change or addition.

January 1971

Right and left part numbers are on same line, first number is right, second number is left.

CODE	PART NAME	MODEL CODES	SEE BOTTOM NOTE								PART NUMBER	
			21	23	27	29	41	43	45	46		
23-40-0 ROOF RAIL AND LUGGAGE RACK Cont'd.												
23-40-92	EXTENSION Cont'd.	Outer	C, Y	—	—	—	—	—	1	—	—	2900 162-3
		Outer	C, Y	—	—	—	—	1	—	—	—	2900 160-1
23-40-96	SUPPORT, W/House to Roof Side Outer Rail Extension		B	—	—	—	1	—	—	—	—	2604 858-9
			P	—	1	—	—	—	—	—	—	2900 768-9
			P	1	—	—	1	1	1	—	—	2900 770-1
			D	—	1	—	—	—	—	—	—	2901 408-9
			D	—	—	—	—	1	1	—	—	2900 772-3
			C, Y	—	1	—	—	—	—	—	—	2901 410-1
			C, Y	—	—	—	—	1	1	—	—	2900 774-5
23-40-148	NUT, Roof Luggage Rack Side Rail 1/4" - 20		R, W, P, D, C	—	—	—	—	—	—	AR	AR	2094 869
23-40-150	RAIL, Roof Luggage Rack											
		Frnt.	R, W	—	—	—	—	—	—	1	1	2602 651
		Rr.	R, W	—	—	—	—	—	—	1	1	2602 651
		Frnt.	P, D, C	—	—	—	—	—	—	1	1	2894 892
		Rr.	P, D, C	—	—	—	—	—	—	1	1	2894 892
		Side	R, W	—	—	—	—	—	—	2	2	2602 647
		Side	P, D, C	—	—	—	—	—	—	2	2	2894 882
	TUBE and INSERT, Deck Lid Luggage Rack											
		Frnt.	B	—	1	1	—	—	—	—	—	2842 893
		Intermediate	B	—	1	1	—	—	—	—	—	2842 895
		Rr.	B	—	1	1	—	—	—	—	—	2842 894
		Frnt.	W-P, W-S	—	—	—	1	—	—	—	—	2842 893
		Intermediate	W-P, W-S	—	—	—	1	—	—	—	—	2842 895
		Rr.	W-P, W-S	—	—	—	1	—	—	—	—	2842 894
23-40-153	Decal, Deck Lid Luggage Rack Load Limit		W-P, W-S	—	—	—	1	—	—	—	—	2842 908
23-40-155	CROSSMEMBER, Roof Luggage Rack		R, W	—	—	—	—	—	—	4	4	2602 652
	STRIP, Roof Luggage Rack Skid Up to Type		P, D, C	—	—	—	—	—	—	5	5	2894 890
		After Type	P, D, C	—	—	—	—	—	—	5	5	3419 314
23-40-157	SPACER, Roof Luggage Rack Side Rail		R, W	—	—	—	—	—	—	6	6	2860 759
		Lwr.	R, W	—	—	—	—	—	—	6	6	2860 759
23-40-170	BRACKET, Roof Luggage Rack Rail		R, W	—	—	—	—	—	—	4	4	2528 454
		Frnt. and Rr.	R, W	—	—	—	—	—	—	4	4	2528 454
	STANCHION, Roof Luggage Rack Side Rail		P, D, C	—	—	—	—	—	—	2	2	2894 884-5
	SUPPORT, Deck Lid Luggage Rack Intermediate Tube to Rear Tube		B	—	1	1	—	—	—	—	—	2842 896
			W-P, W-S	—	—	—	—	1	—	—	—	2842 896
	SUPPORT, Deck Lid Luggage Rack Mounting											
		Frnt.	B	—	2	2	—	—	—	—	—	2842 899
		Frnt.	W-P, W-S	—	—	—	2	—	—	—	—	2842 899
		Rr.	B	—	2	2	—	—	—	—	—	2842 900
		Rr.	W-P, W-S	—	—	—	2	—	—	—	—	2842 900
23-40-171	THUMB SCREW, Roof Luggage Rack Rear Rail Bracket		R, W, P, D, C	—	—	—	—	—	—	4	4	2528 464
	THUMB SCREW, Roof Luggage Rack Side Tie Down		P, D, C	—	—	—	—	—	—	4	4	2528 464

TYPE LETTERS Indicates	B - Barracuda	V - Valiant L - Dart	R - Belvedere W - Coronet	P - Plymouth D - Dodge	C - Chrysler Y - Imperial
NUMERALS INDICATE:	21 - 2 DR. SED. 23 - 2 DR. H.T.	27 - CONV. CPE. 29 - FAST BACK	41 - 4 DR. SED. 43 - 4 DR. H.T.	45 - 6 PASS. STA. WGN.	46 - 9 PASS. STA. WGN.

AR Indicates use as required. Numerals in parentheses () refer to notes. Printed in U.S.A.
 # Indicates parts not listed in any previous parts book. ★ Indicates change or addition. January 1971
 Right and left part numbers are on same line, first number is right, second number is left.

CODE	PART NAME	MODEL CODES	SEE BOTTOM NOTE							PART NUMBER	
			21	23	27	29	41	43	45		46
23-40-0 ROOF RAIL AND LUGGAGE RACK Cont'd.											
23-40-177	CAP, Roof Luggage Rack Side Rail End	R, W	—	—	—	—	—	—	2	2	2602 648-9
	TIP, Deck Lid Luggage Rack Intermediate Tube	B	—	6	6	—	—	—	—	—	2842 901
		W-P, W-S	—	—	—	6	—	—	—	—	2842 901
23-40-180	T/PLATE, Roof Luggage Rack Side Rail										
	Frnt. and Rr.	R, W	—	—	—	—	—	—	4	4	2528 465
	Side	P, D, C	—	—	—	—	—	—	6	6	2894 895
	Side, W/Spacer	P, D, C	—	—	—	—	—	—	6	6	2894 899
	PLATE, Roof Luggage Rack Crossmember End Tapping										
		R, W	—	—	—	—	—	—	8	8	2842 991
	T/PLATE, Roof Luggage Rack, Cross Bar										
		P, D, C	—	—	—	—	—	—	4	4	2894 893
	PLATE, Roof Luggage Rack Side Rail Tie Down										
		P, D, C	—	—	—	—	—	—	2	2	2894 894
	ADAPTER PLATE, Deck Lid Luggage Rack										
		B	—	6	6	—	—	—	—	—	2842 898
		W-P, W-S	—	—	—	6	—	—	—	—	2842 898
23-40-187	PAD, Roof Luggage Rack Crossmember										
		R, W	—	—	—	—	—	—	4	4	2602 656
	PAD, Roof Luggage Rack Side Rail										
		R, W	—	—	—	—	—	—	2	2	2602 655
	PAD, Roof Luggage Rack Skid Strip Up to Type										
		P,D,C	—	—	—	—	—	—	5	5	2894 891
	After Type	P,D,C	—	—	—	—	—	—	5	5	3419 315
	PAD, Roof Luggage Rack Side Rail Stanchions										
		P, D, C	—	—	—	—	—	—	4	4	2894 888
	PAD, Deck Lid Luggage Rack Support										
		B	—	2	2	—	—	—	—	—	2842 897
		W-P, W-S	—	—	—	6	—	—	—	—	2842 897
23-40-192	PROTECTOR, Roof Panel Luggage Rack Skid Strip Screw										
	Frnt.	P, D, C	—	—	—	—	—	—	5	5	2895 103
23-41-0 WINDOW LIFT (ELECTRIC)											
23-41-4	REGULATOR, Electric Window										
		Frnt.	R, W	—	1	1	1	—	—	—	2999 682-3
		Qtr.	R, W	—	—	1	—	—	—	—	2583 854-5
		Qtr.	R, W	—	1	—	1	—	—	—	2583 764-5
		Qtr.	P, D, C, Y	—	1	1	1	—	—	—	2945 560-1
	w/o Vent Wdo.	Frnt.	P, D, C, Y	—	1	—	1	—	—	—	2945 996-7
		Frnt.	P	—	1	1	—	—	—	—	2945 950-1
		Frnt.	P-M, P-P	—	—	—	1	1	1	1	2945 950-1
		Frnt.	D, C, Y	—	1	—	—	1	1	1	2945 950-1
		Rr.	P, D, C, Y	—	—	—	—	—	1	—	2999 354-5
		Rr.	P, D, C, Y	—	—	—	1	1	—	1	2945 952-3
23-41-7	SPRING, Electric Window Regulator Assist										
		Qtr.	B, L	—	2	—	—	—	—	—	2583 824
		Frnt.	R, W	—	2	2	2	—	—	—	2583 824
		Frnt.	P, D, C, Y	—	2	2	—	—	—	—	2520 557
		Qtr.	R, W	—	—	2	—	—	—	—	2583 541
		Qtr.	R, W	—	2	—	2	—	—	—	2583 723
		Qtr.	P,D,C,Y	—	2	2	2	—	—	—	2945 126
TYPE LETTERS Indicates											
	B - Barracuda	V - Valiant	R - Belvedere	P - Plymouth	C - Chrysler						
		L - Dart	W - Coronet	D - Dodge	Y - Imperial						
NUMERALS INDICATE:											
	21 - 2 DR. SED.	27 - CONV. CPE.	41 - 4 DR. SED.	45 - 6 PASS. STA. WGN.							
	23 - 2 DR. H.T.	29 - FAST BACK	43 - 4 DR. H.T.	46 - 9 PASS. STA. WGN.							

AR Indicates use as required.

Indicates parts not listed in any previous parts book

Numerals in parentheses () refer to notes.

★ Indicates change or addition.

Printed in U.S.A.

January 1971

Right and left part numbers are on same line, first number is right, second number is left.

CODE	PART NAME	MODEL CODES	SEE BOTTOM NOTE								PART NUMBER	
			21	23	27	29	41	43	45	46		
23-41-0 WINDOW LIFT (ELECTRIC) Cont'd.												
23-41-7	SPRING Cont'd.	Rr.	P, D, C	—	—	—	—	2	—	2	2	2520 557
		Rr.	Y	—	—	—	—	2	2	—	—	2520 557
23-41-27	RELAY, w/BRACKET, Electric Window Lift		R, W	—	1	1	1	—	—	—	—	3004 186
			P, D, C	1	1	1	—	1	1	1	1	2932 834
			Y	—	1	—	—	1	1	—	—	2932 834
23-41-34	GEAR and SEAL PACKAGE, Electric Window Regulator Mechanism		R, W, P, D, C, Y	—	AR	AR	AR	AR	AR	AR	AR	2932 973
	GEAR, Front Door Electric Window Regulator Mechanism Pinion		R, W, P, D, C, Y	—	2	2	2	2	2	2	2	2999 365
23-41-53	SUPPORT, Front Door Inside Panel to Window Regulator Motor Electric Window Lift		R, W	1	1	1	1	—	—	—	—	2860 051
23-41-55	WIRING, Electric Window Lift	Rt.	R, W	—	1	1	1	—	—	—	—	2926 368
		Lt.	R, W	—	1	1	1	—	—	—	—	2926 361
	w/Power Windows, w/o Power Door Locks		P, D, C	1	1	1	—	1	1	1	1	2926 196
	w/Power Windows, w/o Power Door Locks	Rr. Door	P, D, C	—	—	—	—	2	2	2	2	2926 301
	w/Power Windows, w/Power Door Locks	Rr. Door	P, D, C	—	—	—	—	2	2	2	2	2926 300
		Rr. Qtr.	P, D, C	—	2	2	2	—	—	—	—	2926 299
	w/Power Windows, w/Power Door Locks		P, D, C	1	1	1	—	1	1	1	1	2926 234
	w/Power Windows, w/Power Vents and w/Power Door Locks		C	—	1	1	—	1	1	1	1	2926 225
	w/Power Windows, w/Power Vents, w/o Power Door Locks		C	—	1	1	—	1	1	1	1	2926 207
	w/o Power Vents and w/o Power Door Locks		Y	—	1	—	—	1	1	—	—	2926 216
	w/Power Vents and w/o Power Door Locks		Y	—	1	—	—	1	1	—	—	2926 218
	w/Power Vents and w/Power Door Locks		Y	—	1	—	—	1	1	—	—	2926 194
	w/or w/o Power Door Locks	Rr. Door	Y	—	—	—	—	1	1	—	—	2926 358
	w/Power Door Locks, w/o Power Vents		Y	—	1	—	—	1	1	—	—	2926 264
	w/o Power Door Locks	Rr. Door	Y	—	—	—	—	2	2	—	—	2926 356
	WIRING, Window Lift Safety Relay		P	—	1	1	—	1	1	1	1	2926 874
			D	—	1	1	—	1	1	1	1	2926 875
	WIRING, Window Left Safety Relay Feed to Instrument Panel		C	—	1	1	—	1	1	1	1	2926 876
23-41-83	BUSHING, Electric Window Regulator Rear Arm	Qtr.	R, W	—	4	4	4	—	—	—	—	2583 551
23-41-106	MOTOR and Mechanism, Electric Window Lift	Frnt. Door	R, W	—	1	1	1	—	—	—	—	2999 326-7
		Frnt. Door	P, D, C, Y	1	1	1	1	1	1	1	1	2999 332-3
	w/o Vent Wdo.	Frnt. Door	P, D, C, Y	—	1	—	1	—	—	—	—	2999 334-5
		Rr. Door	P, D, C, Y	—	—	—	—	1	1	1	1	2999 336-7

TYPE LETTERS Indicates	B - Barracuda	V - Valiant L - Dart	R - Belvedere W - Coronet	P - Plymouth D - Dodge	C - Chrysler Y - Imperial
NUMERALS INDICATE:	21 - 2 DR. SED. 23 - 2 DR. H.T.	27 - CONV. CPE. 29 - FAST BACK	41 - 4 DR. SED. 43 - 4 DR. H.T.	45 - 6 PASS. STA. WGN.	46 - 9 PASS. STA. WGN.

AR Indicates use as required. Numerals in parentheses () refer to notes. Printed in U.S.A.
 # Indicates parts not listed in any previous parts book. ★ Indicates change or addition. January 1971
 Right and left part numbers are on same line, first number is right, second number is left.

CODE	PART NAME	MODEL CODES	SEE BOTTOM NOTE								PART NUMBER
			21	23	27	29	41	43	45	46	
23-41-0 WINDOW LIFT (ELECTRIC) Cont'd.											
23-41-106	MOTOR Cont'd.										
	MOTOR and MECHANISM PACKAGE, Electric Window Lift	Qtr.	P, D, C, Y	—	1	1	1	—	—	—	2999 338-9
		Frnt. Door Rt.	R, W	—	1	1	1	—	—	—	2808 764
		Frnt. Door Lt.	R, W	—	1	1	1	—	—	—	2808 763
		Qtr. Rt.	R, W	—	1	—	1	—	—	—	3004 126
		Qtr. Lt.	R, W	—	1	—	1	—	—	—	3004 125
		Qtr. Rt.	R, W	—	—	1	—	—	—	—	3004 124
		Qtr. Lt.	R, W	—	—	1	—	—	—	—	3004 123
		Qtr. Rt.	P, D, C, Y	—	1	1	—	—	—	—	2808 766
		Qtr. Lt.	P, D, C, Y	—	1	1	—	—	—	—	2808 765
23-41-167	Conduit, Front Door Window Lift and Door Lock Wiring		P, D, C, Y	2	2	2	—	2	2	2	2926 371
23-41-170	SWITCH, Right Front Door Window Lift	Single	R, W, P, D, C	—	1	1	1	1	1	1	2926 118
	w/o Power Door Locks, w/o Power Vents		Y	—	1	—	—	1	1	—	2926 306
	w/Power Door Locks, w/Power Vents		Y	—	1	—	—	1	1	—	2926 309
	w/Power Vents, w/o Power Door Locks		Y	—	1	—	—	1	1	—	2926 308
	w/Power Door Locks, w/o Power Vents		Y	—	1	—	—	1	1	—	2926 307
	SWITCH, Left Front Door Window Lift										
	w/o Power Door Locks, w/o Power Vents		Y	—	1	—	—	1	1	—	2926 311
	w/Power Door Locks, w/o Power Vents		Y	—	1	—	—	1	1	—	2926 312
	w/Power Door Locks, w/Power Vents		Y	—	1	—	—	1	1	—	2926 314
	w/Power Vents, w/o Power Door Locks		Y	—	1	—	—	1	1	—	2926 313
	SWITCH, Rear Door and Quarter Window Lift	Single	R, W, P, D, C	—	2	2	2	2	2	2	2926 118
		Single	Y	—	2	—	—	2	2	—	2926 304
	SWITCH, Electric Window Lift Left Frnt. Door	4 Gang	R, W, P, D, C	—	1	1	1	1	1	1	2926 117
	SWITCH, Front Door Vent Wing	Rt. Single	C	—	1	1	1	1	1	1	2926 118
		Lt. Dual	C	—	1	1	—	1	1	1	2926 119
	SWITCH, Window Lift Lockout		Y	—	1	—	—	1	1	—	2770 157
23-41-173	RETAINER, Window Lift Lockout Switch Insulator		Y	—	1	—	—	1	1	—	2926 033
23-41-176	TERMINAL and INSULATOR PACKAGE, Window Lift Switch	5 Way	Y	—	AR	—	—	AR	AR	—	2809 016
		7 Way	Y	—	1	—	—	1	1	—	2809 017
		10 Way	Y	—	1	—	—	1	1	—	2809 018-9
23-41-180	BRACKET, Quarter Inside Panel Window Lift Motor Wiring Clip		P, D, C, Y	—	2	2	—	—	—	—	2926 724
23-41-184	RETAINER, Window Lift Switch Right Front Door, Rear Door and Quarter	Single	R, W, P, D, C	AR	AR	AR	AR	AR	AR	AR	2926 122
	Left Frnt. Door	4 Gang	R, W, P, D, C	1	1	1	1	1	1	1	2926 121
	RETAINER, Front Door Vent Wing Switch	Lt. Dual	C	—	1	1	—	1	1	1	2926 123
TYPE LETTERS Indicates											
	B - Barracuda	V - Valiant	R - Belvedere	P - Plymouth				C - Chrysler			
		L - Dart	W - Coronet	D - Dodge				Y - Imperial			
NUMERALS INDICATE:											
	21 - 2 DR. SED.	27 - CONV. CPE.	41 - 4 DR. SED.	45 - 6 PASS. STA. WGN.							
	23 - 2 DR. H.T.	29 - FAST BACK	43 - 4 DR. H.T.	46 - 9 PASS. STA. WGN.							

AR Indicates use as required.

Indicates parts not listed in any previous parts book

Numerals in parentheses () refer to notes.

★ Indicates change or addition.

Printed in U.S.A.

January 1971

Right and left part numbers are on same line, first number is right, second number is left.

CODE	PART NAME	MODEL CODES	SEE BOTTOM NOTE								PART NUMBER
			21	23	27	29	41	43	45	46	
23-41-0 WINDOW LIFT (ELECTRIC) Cont'd.											
23-41-192	SLIP, Front Seat Release Adjusting Cable w/Split Seats	P, D, C	—	—	—	—	1	1	1	1	2858 422
23-41-250	ROLLER, Electric Window Regulator Arm Frt. Door	R, W	—	2	2	2	—	—	—	—	2486 982
	ROLLER, Electric Window Regulator Front Arm Qtr.	R, W	—	2	2	2	—	—	—	—	2486 982
	ROLLER Electric Window Regulator Pivot Arm Qtr.	R, W, P, D, C, Y	—	2	2	2	—	—	—	—	1697 607
		P, D, C, Y	—	—	—	2	2	2	2	2	1697 607
23-41-270	HOUSING w/SHAFT, Electric Window Regulator Mechanism Front Door, Rear Door and Quarter	R, W, P, D, C, Y	—	4	4	4	4	4	4	4	2520 914-5
23-41-286	O-RING, Quarter Electric Window Regulator Mechanism	P, D, C, Y	—	2	—	2	2	—	—	—	1316 813
	O-Ring, Front Door Electric Window Regulator	R, W, P, D, C, Y	—	2	2	—	2	2	2	2	1316 813
23-42-0 WINDOW GLASS RUN											
23-42-13	RUN, Front Door V/Wing Divisional Channel Door Glass	V, L	2	—	—	—	2	—	—	—	2570 243
		R, W	—	—	—	—	2	—	2	2	2570 243
	RUN, Rear Door Divisional Channel Door Glass	V, L	—	—	—	—	2	—	—	—	2570 243
		R, W	—	—	—	—	2	—	2	2	2570 243
23-42-16	RUN, Front Door Glass	R, W	—	—	—	—	2	—	2	2	2570 244
		P, D, C, Y	—	—	—	—	2	—	2	2	2895 250
	RUN, Front Door Glass Rear	B, L	—	2	2	—	—	—	—	—	2861 772
		R, W	—	—	2	—	—	—	—	—	2861 772
		V, B, R, W	—	2	—	2	—	—	—	—	2664 771
		R, W	2	—	—	—	—	—	—	—	2860 398
	RUN, Front Door Glass Rear Channel	V, L	2	—	—	—	—	—	—	—	2663 477
		V, L	—	—	—	—	2	—	—	—	2663 479
		P, D, C, Y	—	2	2	2	—	2	—	—	2893 433
	w/o Vent Wdo. Inner	P, D, C, Y	—	2	—	—	—	—	—	—	2894 800
	w/o Vent Wdo. Inner	P	—	—	—	2	—	—	—	—	2895 409
	/o Vent Wdo. Outer	P, D, C, Y	—	2	—	2	—	—	—	—	2894 802
	RUN w/INSERT, Front Door Glass	V	2	—	—	—	—	—	—	—	2861 084
23-42-23	RUN, Rear Door Glass Front	V, L	—	—	—	—	2	—	—	—	2663 790
	RUN, Rear Door Glass	R, W	—	—	—	—	2	—	—	—	2664 198
		R, W	—	—	—	—	—	—	1	1	2664 197
		P, D	—	—	—	—	2	—	—	—	2893 738
		C, Y	—	—	—	—	2	—	—	—	2893 739
		P, D, C	—	—	—	—	—	—	2	2	2893 740
23-42-32	Retainer, Quarter Tailgate Glass Run	R, W	—	—	—	—	—	—	1	1	2860 764-5
		P, D, C	—	—	—	—	—	—	1	1	2895 238-9
	RETAINER, Roof Rear Header Tailgate Glass Run	R, W	—	—	—	—	—	—	1	1	2573 304
		P, D, C	—	—	—	—	—	—	1	1	2895 134
23-42-38	RUN, Quarter Window Glass	V	1	—	—	—	—	—	—	—	2603 940-1
		P	2	—	—	—	—	—	—	—	2965 756
		P	2	—	—	—	—	—	—	—	2902 762

TYPE LETTERS Indicates	B - Barracuda	V - Valiant L - Dart	R - Belvedere W - Coronet	P - Plymouth D - Dodge	C - Chrysler Y - Imperial
NUMERALS INDICATE:	21 - 2 DR. SED. 23 - 2 DR. H.T.	27 - CONV. CPE. 29 - FAST BACK	41 - 4 DR. SED. 43 - 4 DR. H.T.	45 - 6 PASS. STA. WGN.	46 - 9 PASS. STA. WGN.

AR Indicates use as required. Numerals in parentheses () refer to notes. Printed in U.S.A.
 # Indicates parts not listed in any previous parts book. ★ Indicates change or addition. January 1971
 Right and left part numbers are on same line, first number is right, second number is left.

CODE	PART NAME	MODEL CODES	SEE BOTTOM NOTE								PART NUMBER	
			21	23	27	29	41	43	45	46		
23-42-0 WINDOW GLASS RUN Cont'd.												
23-42-46	RUN, Tailgate Glass	Lower	R,W	—	—	—	—	—	—	2	2	2860 621
		Lower	P,D,C	—	—	—	—	—	—	2	2	2894 102
	RUN, Roof Rear Tailgate Glass	Upper	R,W	—	—	—	—	—	—	1	1	2574 657
	RUN, Quarter Panel Tailgate Glass	Inner	R,W	—	—	—	—	—	—	1	1	2860 476-7
	w/CLIP	Outer	R,W	—	—	—	—	—	—	1	1	2861 334-5
	RUN or WEATHERSTRIP, Quarter Panel Tailgate Pillar Upper Side	Inner	P,D,C	—	—	—	—	—	—	1	1	2895 142-3
	w/CLIP	Outer	P,D,C	—	—	—	—	—	—	1	1	2895 256-7
23-42-55	SEAL, Roof Rear Header Tailgate Glass Run Retainer to Header Rail		P,D,C	—	—	—	—	—	—	1	—	2895 263
	WEATHERSTRIP, Roof Rear Tailgate Glass Upper		P,D,C	—	—	—	—	—	—	1	1	2894 527
23-42-56	RETAINER and BRACKET, Quarter Window Glass Rear Run		P	1	—	—	—	—	—	—	—	2933 240-1
23-45-0 FRONT SEAT												
23-45-31	WASHER, Bucket Seat to Cushion Anti-Rattle Passenger Side		V,B,L, R,W	2	2	2	2	—	—	—	—	2858 089
23-45-38	CLIP, Front Seat Back Latch Release Knob Retaining		V,B,L,R, W,P,D,C	2	2	2	2	—	—	—	—	2888 643
	w/Front Seat Side Shields		P,D,C,Y	—	2	2	2	—	—	—	—	2888 642
23-45-39	KNOB, Front Seat Back Latch Release		V,B,L,R, W,P,D,C	2	2	2	2	—	—	—	—	2888 759
	w/Frt. Seat Side Shield	Chrome	P,D,C,Y	—	2	2	2	—	—	—	—	2888 568
	KNOB, Front Seat Back Release	Chrome	P,D,C,Y	—	2	2	2	—	—	—	—	2888 762
23-45-47	WIRE, Seat Reclining Handle Return Spring Connecting w/Split Seats		P,D,C	—	—	—	—	1	1	1	1	2858 151
			Y	—	—	—	—	—	1	—	—	2767 869
			P,D,C	—	—	—	—	1	1	1	1	2609 250
			Y	—	—	—	—	—	1	—	—	2609 250
23-45-52	HANDLE, Reeling Front Seat Back Release		P,D,C	—	—	—	—	1	1	1	1	2609 250
			Y	—	—	—	—	—	1	—	—	2609 250
	HANDLE, Reclining Bucket Seat Back Release		P	—	1	—	1	—	—	—	—	2609 221
			D	—	1	1	—	—	1	—	—	2609 221
			C,Y	—	1	—	—	—	—	—	—	2609 221
	LEVER, Seat Back Latch Release, w/Bucket Seats		P,D,C	—	1	1	1	—	—	—	—	2888 386-7
			Y	—	1	—	—	—	—	—	—	2888 392-3
23-45-55	SPRING, Front Seat Back Latch Return		R,W	1	1	1	1	—	—	—	—	2888 582-3
	w/Bench Seats		P,D,C,Y	1	1	1	1	—	—	—	—	2888 582-3
	SPRING, Reclining Bucket Seat Back Latch Return		P,D,C,Y	—	1	1	1	—	—	—	—	2888 739
	SPRING, Front Seat Back Latch Return w/Bucket Seats		P,D,C	—	1	1	1	—	—	—	—	2888 738-9
			C	—	—	—	—	—	1	—	—	2888 738-9

TYPE LETTERS Indicates

B - Barracuda

V - Valiant
L - DartR - Belvedere
W - CoronetP - Plymouth
D - DodgeC - Chrysler
Y - Imperial

NUMERALS INDICATE:

21 - 2 DR. SED.

23 - 2 DR. H.T.

27 - CONV. CPE.

29 - FAST BACK

41 - 4 DR. SED.

43 - 4 DR. H.T.

45 - 6 PASS. STA. WGN.

46 - 9 PASS. STA. WGN.

AR Indicates use as required.

Indicates parts not listed in any previous parts book

Numerals in parentheses () refer to notes.

★ Indicates change or addition.

Printed in U.S.A.

January 1971

Right and left part numbers are on same line, first number is right, second number is left.

CODE	PART NAME	MODEL CODES	SEE BOTTOM NOTE								PART NUMBER
			21	23	27	29	41	43	45	46	
23-45-0 FRONT SEAT Cont'd.											
23-45-55	SPRING Cont'd.										
	SPRING, Front Seat Reclining Handle Return	P-M,P-P, D-H,C-L, C-H,Y P,D,C	—	—	—	—	—	1	—	—	2428 388
			—	—	—	—	1	—	1	1	2428 388
23-45-55	SPRING, Seat Back Latch Lever Return w/ Bucket Seats	P,D,C,Y	—	1	1	1	—	—	—	—	2888 562-3
23-45-57	LATCH, Front Seat Back w/ Bench Seats	V,B,L,R, W,P,D,C	2	2	2	2	—	—	—	—	2888 567
	LATCH, Seat Back w/ Bucket Seats	V,B,L, R,W P,D,C,Y	2	2	2	2	—	—	—	—	2888 539 2888 565
	LATCH, Front Seat Back Release w/ Front Side Shields	P,D,C,Y	—	1	1	1	—	—	—	—	2888 656-7
	LATCH, Reclining Bucket Seat Back	P,D,C,Y	—	1	1	1	—	—	—	—	2888 566
	LOCK, Seat Back to Cushion w/ Bucket Seats	V,L,W D,C	—	—	—	—	2	—	2	2	2888 659 2888 659
	RING, Front Seat Latch to Back Spring	V,B,L,R, W,P,D,C,Y	2	2	2	2	2	2	2	2	6024 440
	WASHER, Front Seat Back Release Latch	V,B,L,R W,P,D,C,Y	2	2	2	2	2	2	2	2	6027 330
23-45-63	SHAFT, Reclining Bucket Seat Release Handle	D,C, P,D,C,Y C P,D,C,Y	—	—	—	—	—	1	—	—	2888 497 2888 497 2888 497 6024 439
23-45-66	WASHER, Handle to Shaft ESCUTCHEON, Front Seat Back Release Handle	P,D,C	—	2	2	2	—	—	—	—	2858 967
	ESCUTCHEON, Front Seat Back Release Latch Handle	Y	—	1	—	—	—	—	—	—	9644 DX9
23-45-184	WIRE, Reclining Bucket Seat Back Mechanism Release	P,D,C,Y D,C C P,D,C,Y	—	2	—	2	—	—	—	—	2609 878 2609 878 2609 878 6026 350
	CLIP, Adjusting	P,D,C,Y	—	1	1	—	—	1	—	—	
23-45-185	PIN, Reclining Seat Back Release Wire Retaining	P,D,C P,D,C,Y P,D,C,Y C D,C P,D,C,Y	—	—	—	—	1	—	—	—	2609 262 2609 262 2858 582 2858 582 2858 582 6027 141
	BASE, Reclining Bucket Seat Back	P,D,C,Y C D,C P,D,C,Y	—	1	—	1	—	—	—	—	2858 582 2858 582 6027 141
	BOLT, Shoulder	P,D,C,Y	2	2	2	2	2	2	2	2	6026 654
	WASHER	P,D,C,Y	2	2	2	2	2	2	2	2	9412 281
	PIN	P,D,C,Y	4	4	4	4	4	4	4	4	
23-45-194	ADJUSTER, Reclining Seat Back w/ Split Seats	P,D,C	—	—	—	—	1	1	1	1	2858 175
	w/ Split Seats	Y	—	—	—	—	—	1	—	—	2858 124
	w/ Bucket Seats	P,D,C	—	1	—	—	—	—	—	—	2888 667
	w/ Bucket Seats	Y	—	1	—	—	—	—	—	—	2888 671
	w/ Bucket Seats	C	—	—	1	—	—	—	—	—	2888 667
	w/ Bucket Seats	D,C,Y	—	—	—	1	—	1	—	—	2888 667
23-45-204	CABLE, Seat Back Latch Release w/ Bucket Seats	P,D,C,Y	—	AR	AR	AR	—	—	—	—	2858 970
	w/ Reclining Bucket Seats	C	—	—	1	—	—	—	—	—	2888 691

TYPE LETTERS Indicates	B - Barracuda	V - Valiant L - Dart	R - Belvedere W - Coronet	P - Plymouth D - Dodge	C - Chrysler Y - Imperial
NUMERALS INDICATE:	21 - 2 DR. SED. 23 - 2 DR. H.T.	27 - CONV. CPE. 29 - FAST BACK	41 - 4 DR. SED. 43 - 4 DR. H.T.	45 - 6 PASS. STA. WGN. 46 - 9 PASS. STA. WGN.	

AR Indicates use as required.

Indicates parts not listed in any previous parts book

Numerals in parentheses () refer to notes.

★ Indicates change or addition.

Printed in U.S.A.

January 1971

Right and left part numbers are on same line, first number is right, second number is left.

CODE	PART NAME	MODEL CODES	SEE BOTTOM NOTE						PART NUMBER		
			21	23	27	29	41	43		45	46
23-45-0	FRONT SEAT Cont'd.										
23-45-204	CABLE Cont'd. w/Reclining Bucket Seats	P,D,C,Y	—	1	—	1	—	—	—	—	2888 691
	CABLE, Seat Back Reclining Adjusting w/Split Seats	P,D,C Y	—	—	—	—	1	1	1	1	2858 193 2858 193
23-47-0	FRONT SEAT ADJUSTER										
23-47-6	ADJUSTER, Manual Seat w/Bench Seats	V,B,L	1	1	1	1	1	—	—	—	2935 758-9
	w/Bench Seats	P,D,C,Y	1	1	1	1	—	—	—	—	2935 414-5
		P,D,C,Y	—	—	—	—	1	1	1	1	2945 444-5
		R,W	1	1	1	—	—	—	—	—	2935 774-5
		R,W	—	—	—	—	1	—	1	1	2935 778-9
	w/BUCKET or SPLIT SEATS PASSENGER SEAT										
	Inner	V,B,L	1	1	1	1	1	—	—	—	2935 768
	Outer	V,B,L	1	1	1	1	1	—	—	—	2935 770
	Inner	P,D,C,Y	—	1	1	1	1	—	—	—	2935 418
	Outer	P,D,C,Y	—	1	1	1	1	—	—	—	2935 420
	Inner	R,W	1	1	1	1	1	—	1	1	2935 780
	Outer	R,W	1	1	1	1	1	—	1	1	2935 782
	DRIVER SEAT										
	Inner	V,B,L	1	1	1	1	1	—	—	—	2935 769
	Outer	V,B,L	1	1	1	1	1	—	—	—	2935 771
	Inner	P,D,C,Y	—	1	1	1	1	1	1	1	2935 419
	Inner	R,W	1	1	1	1	1	1	—	—	2935 781
	Outer	R,W	1	1	1	1	1	—	—	—	2935 783
	Inner	W	—	—	—	—	—	—	1	1	2935 781
	Outer	W	—	—	—	—	—	—	1	1	2935 783
	w/Bucket Seats Passenger Seat	Outer	P,D,C,Y	—	1	1	1	—	1	—	2935 420
	Driver Seat	Outer	P,D,C,Y	—	1	1	1	—	1	—	2935 421
	w/Split Seats Passenger Side	Outer	P,D,C,Y	—	—	—	—	1	1	1	2935 790
	Driver Seat		P,D,C,Y	—	—	—	—	1	1	1	2935 791
	ADJUSTER, Frt. Seat Manual 6 Way	Lt.	R,W	1	1	1	1	1	—	1	2999 775
	ADJUSTER, Front Seat Electric										
	W/Bucket Seats	P,D,C,Y	—	—	—	—	1	1	1	1	29459 44-5
	W/Split Seats	P,D,C,Y	—	—	—	—	1	1	1	1	3454 386-7
23-47-7	REINFORCEMENT, Front Seat Adjuster w/Split Seats	Y	—	—	—	—	—	2	—	—	2888 745
23-47-8	COVER, Front Seat Electric Seat Adjusting (paint as req'd.) Bench Type	Upr. Rr.	P,D,C,Y	—	2	2	2	2	2	2	4382 EX9
	Bucket or Split Type	Lwr.	P,D,C,Y	—	AR	AR	AR	AR	AR	AR	4372 EX9
		Upr. Rr.	P,D,C,Y	—	AR	AR	AR	AR	AR	AR	4373 EX9
		Upr. Rr. Rt.	P,D,C,Y	—	1	1	1	1	1	1	4374 EX9
		Upr. Rr. Lt.	P,D,C,Y	—	1	1	1	1	1	1	4375 EX9
23-47-15	SPACER, Front Seat Manual Adjuster w/Bench, Bucket, Split or Reclining Seats										
	Plastic	V,B,L, R,W,P, D,C,Y	AR	AR	AR	AR	AR	AR	AR	AR	2945 544
	Electric	P,D,C,Y	—	—	—	—	AR	AR	AR	AR	3454 555

TYPE LETTERS Indicates	B - Barracuda	V - Valiant L - Dart	R - Belvedere W - Coronet	P - Plymouth D - Dodge	C - Chrysler Y - Imperial
NUMERALS INDICATE:	21 - 2 DR. SED. 23 - 2 DR. H.T.	27 - CONV. CPE. 29 - FAST BACK	41 - 4 DR. SED. 43 - 4 DR. H.T.	45 - 6 PASS. STA. WGN. 46 - 9 PASS. STA. WGN.	

AR Indicates use as required.

Indicates parts not listed in any previous parts book

Numerals in parentheses () refer to notes.

★ Indicates change or addition.

Printed in U.S.A.

January 1971

Right and left part numbers are on same line, first number is right, second number is left.

CODE	PART NAME	MODEL CODES	SEE BOTTOM NOTE							PART NUMBER	
			21	23	27	29	41	43	45		46
23-47-0 FRONT SEAT ADJUSTER Cont'd.											
23-47-26	SPRING, Manual Seat Adjuster Tension	V,B,L, R,W,P, D,C,Y	2	2	2	2	2	2	2	2	2299 980
	SPRING, Front Seat Manual Adjuster Tension										
	6 Way Lt.	R,W	1	1	1	1	1	—	—	—	2999 712
	6 Way Lt.	W	—	—	—	—	—	—	1	1	2999 712
	SPRING, Front Seat Manual Adjuster Vertical										
	Tilt Assist										
	6 Way Lt.	R,W	2	2	2	2	2	—	—	—	2999 714
	6 Way Lt.	W	—	—	—	—	—	—	2	2	2999 714
23-47-28	HOOK, Manual Seat Guide Wire Tension	V,B,L, R,W,P, D,C,Y	AR	AR	AR	AR	AR	AR	AR	AR	2494 549
23-47-33	CROSSMEMBER, Front Floor Pan Seat Track										
	Frt.	P,D,C,Y	—	1	1	—	1	1	1	1	2527 326
	Rr.	P,D,C,Y	—	1	1	—	1	1	1	1	2527 327
23-47-34	T/PLATE, Front Floor Pan Seat Track										
	C/Member Reinforcement	Y	—	2	—	—	—	—	—	—	2842565
23-47-55	KNOB, Manual Seat Adjuster Release Lever										
	Chrome	V,B,L, R,W,P, D,C,Y	1	1	1	1	1	1	1	1	2765 197
	KNOB, Front Seat Manual Adjuster Vertical										
	Tilt Lever										
	6 Way Lt.	R,W	1	1	1	1	1	—	1	1	2999 726
	KNOB, Front Seat Manual Adjuster										
	Horizontal Lever										
	6 Way Lt.	R,W	1	1	1	1	1	—	1	1	2999 725
23-47-66	WIRE, Manual Seat Adjuster Latch Connector										
	w/Bench Seats	V,B,L	1	1	1	1	1	—	—	—	2270 067
	w/Bench Seats	R,W	1	1	1	1	1	—	1	1	2486 968
	w/Bench Seats	P,D,C,Y	1	1	1	1	1	1	1	1	2520 883
	w/Bucket Seats	V,B,L									
	Rt.	R,W	—	1	1	1	1	—	1	1	2765 434
	w/Bucket Seats	V,B,L									
	Lt.	R,W	—	1	1	1	1	—	1	1	2765 433
	w/Bucket Seats	P,D,C,Y	AR	AR	AR	AR	AR	AR	AR	AR	2765 434
	w/Split Seats	P,D,C,Y	—	AR	AR	—	AR	AR	AR	AR	2765 434
	WIRE, Front Seat Manual Adjusting										
	Connecting										
	6 Way Lt.	R,W	1	1	1	1	1	—	1	1	2999 708
23-47-67	GUIDE, Manual Seat Adjuster Latch										
	Connecting Wire,										
	w/Bucket Seats	V,B,L									
	Rt.	R,W	1	1	1	1	1	—	1	1	2486 994
	Lt.	R,W	1	1	1	1	1	—	1	1	2486 993
	w/Bucket or Split Seats										
	Rt.	P,D,C,Y	—	1	1	1	1	1	1	1	2486 994
23-47-75	SPRING, Manual Seat Adjuster Release Lever	V,B,L, R,W	AR	AR	AR	AR	AR	AR	AR	AR	2428 388
	SPRING, Manual Seat Adjuster Latch	V,B,L, R,W	2	2	2	2	2	2	2	2	2428 388
	SPRING, Frt. Seat Manual Adjuster Vertical	P,D,C,Y	2	2	2	2	2	2	2	2	2428 388
	Tilt Latch										
	6 Way Lt.	R,W	1	1	1	1	1	—	1	1	2999 709
	SPRING, Frt. Seat Manual Adjuster Horizontal										
	Latch										
	6 Way Lt.	R,W	1	1	1	1	1	—	1	1	2999 713

TYPE LETTERS INDICATES	B - Barracuda	V - Valiant L - Dart	R - Belvedere W - Coronet	P - Plymouth D - Dodge	C - Chrysler Y - Imperial
NUMERALS INDICATE:	21 - 2 DR. SED. 23 - 2 DR. H.T.	27 - CONV. CPE. 29 - FAST BACK	41 - 4 DR. SED. 43 - 4 DR. H.T.	45 - 6 PASS. STA. WGN. 46 - 9 PASS. STA. WGN.	

AR Indicates use as required. Numerals in parentheses () refer to notes. Printed in U.S.A.
 # Indicates parts not listed in any previous parts book. ★ Indicates change or addition. January 1971

Right and left part numbers are on same line, first number is right, second number is left.

CODE	PART NAME	MODEL CODES	SEE BOTTOM NOTE								PART NUMBER	
			21	23	27	29	41	43	45	46		
23-47-0 FRONT SEAT ADJUSTER Cont'd.												
23-47-337	TERMINAL, Front Seat Electric Adjuster Motor	Lt.	P,D,C,Y	—	1	1	—	1	1	1	1	2926 174
23-47-344	DRIVE UNIT, Frt. Seat Electric Adjuster, w/Bench Seats		P,D,C,Y	—	1	1	—	1	1	1	1	2999 239
	SLAVE UNIT, Frt. Seat Electric Adjuster, w/Bench Seats		P,D,C,Y	—	1	1	—	1	1	1	1	2999 238
23-47-420	WIRING, Seat Adjuster Feed, w/Bucket or Split Seats	Rt.	C,Y	—	1	1	—	1	1	1	1	2926 735
	w/Bucket or Split Seats	Rt.	C	—	1	1	—	1	1	1	1	2926 736
	w/Bucket or Split Seats	Rt.	Y	—	1	—	—	—	—	—	—	2926 737
	w/Bucket or Split Seats	Rt.	Y	—	—	—	—	—	1	—	—	2926 736
23-47-425	RELAY, Seat Automatic Forward Actuator, w/Bucket or Split Seats		Y	—	1	—	—	—	—	—	—	2926 862
23-47-430	MOTOR, Electric Seat Adjuster, w/Bench Seats		P,D,C,Y	—	1	1	—	1	1	—	—	2945 792
	w/Bucket or Split Seats	Rt.	C,Y	—	1	1	—	1	1	1	1	2945 940
	w/Bucket or Split Seats	Lt.	P,D,C,Y	—	1	1	1	1	1	1	1	2945 937
23-47-431	TUBE, Electric Seat Adjuster Horizontal Transmission											
	w/Bench Seats	Rt.	P,D,C,Y	—	1	1	—	1	1	1	1	2945 926
	w/Bench Seats	Lt.	P,D,C,Y	—	1	1	—	1	1	1	1	2945 927
	w/Bucket or Split Seats	Rt.	P,D,C,Y	—	AR	AR	AR	AR	AR	AR	AR	2945 921
	w/Bucket or Split Seats	Lt.	P,D,C,Y	—	AR	AR	AR	AR	AR	AR	AR	2945 923
	TUBE, Electric Seat Adjuster Vertical Transmission											
	w/Bench Seats, Frt., Rt.		P,D,C,Y	—	1	1	—	1	1	1	1	2945 926
	w/Bench Seats, Frt., Lt.		P,D,C,Y	—	1	1	—	1	1	1	1	2945 927
	w/Bench Seats, Rr., Rt.		P,D,C,Y	—	1	1	—	1	1	1	1	2945 926
	w/Bench Seats, Rr., Lt.		P,D,C,Y	—	1	1	—	1	1	1	1	2945 925
	w/Bucket or Split Seats, Frt.		P,D,C,Y	—	AR	AR	AR	AR	AR	AR	AR	2945 924
	w/Bucket or Split Seats, Rr.		P,D,C,Y	—	AR	AR	AR	AR	AR	AR	AR	2945 922
23-47-432	CABLE, Electric Seat Adjuster Transmission w/Bench Seats											
	Frnt. Vertical, Rt.		P,D,C,Y	—	1	1	—	1	1	1	1	2945 798
	Frnt. Vertical, Lt.		P,D,C,Y	—	1	1	—	1	1	1	1	2945 801
	Rr. Vertical		P,D,C,Y	—	1	1	—	1	1	1	1	2945 798-9
	Horizontal, Rt.		P,D,C,Y	—	1	1	—	1	1	1	1	2945 798
	Horizontal, Lt.		P,D,C,Y	—	1	1	—	1	1	1	1	2945 801
	Frnt. Vertical		P,D,C,Y	—	AR	AR	AR	AR	AR	AR	AR	2945 786
	w/Bucket or Split Seats, Frnt. Vertical		P,D,C,Y	—	AR	AR	AR	AR	AR	AR	AR	2945 797
	w/Bucket or Split Seats, Horizontal Rt.		P,D,C,Y	—	AR	AR	AR	AR	AR	AR	AR	2945 796
	w/Bucket or Split Seats, Horizontal Lt.		P,D,C,Y	—	AR	AR	AR	AR	AR	AR	AR	2945 795
23-47-433	GROMMET, Frt. Seat Electric Adjuster Tube Bracket to Motor Mount Screw Sleeve		P,D,C,Y	—	AR	AR	AR	AR	AR	AR	AR	2945 679
23-47-436	STRAP, Frt. Seat Electric Adjuster Tube Ty-Rap											
	w/Bench Seats	Rt.	P,D,C,Y	—	2	2	2	2	2	2	2	2945 704

TYPE LETTERS INDICATES	B - Barracuda	V - Valiant L - Dart	R - Belvedere W - Coronet	P - Plymouth D - Dodge	C - Chrysler Y - Imperial
NUMERALS INDICATE:	21 - 2 DR. SED. 23 - 2 DR. H.T.	27 - CONV. CPE. 29 - FAST BACK	41 - 4 DR. SED. 43 - 4 DR. H.T.	45 - 6 PASS. STA. WGN. 46 - 9 PASS. STA. WGN.	

AR Indicates use as required.

Indicates parts not listed in any previous parts book

Numerals in parentheses () refer to notes.

★ Indicates change or addition.

Printed in U.S.A.

January 1971

Right and left part numbers are on same line, first number is right, second number is left.

CODE	PART NAME	MODEL CODES	SEE BOTTOM NOTE								PART NUMBER
			21	23	27	29	41	43	45	46	
23-47-0 FRONT SEAT ADJUSTER Cont'd.											
23-47-439	BRACKET, Front Seat Electric Adjuster Motor and Tube	P,D,C,Y	AR	AR	AR	AR	AR	AR	AR	—	2999 722
23-47-446	SWITCH, Electric Seat Adjuster w/ Bucket Seats, 6 Way	P,D	—	AR	AR	AR	AR	AR	AR	AR	2926 424
	w/ Bucket Seats, 6 Way	C,Y	—	AR	AR	—	—	AR	—	—	2926 424
	w/ Split Seats	P,D,C,Y	—	—	—	—	AR	AR	AR	AR	2926 202
	w/ Bench Seats	P,D,C,Y	—	1	1	1	1	1	1	1	2926 202
	SWITCH, Seat Automatic Forward Limiting	Y	—	1	—	—	—	—	—	—	—
23-47-455	SWITCH, Seat Automatic Forward Activating	Y	—	1	—	—	—	—	—	—	2926 487
	CAM, Seat Automatic Forward Switch Operating	Y	—	1	—	—	—	—	—	—	2822 427
23-47-456	BRACKET, Seat Adjuster Switch and Bezel w/ Bucket or Split Seats	P,D	—	AR	AR	AR	AR	AR	AR	AR	2926 422
	w/ Bucket or Split Seats	C,Y	—	AR	AR	—	—	AR	—	—	2926 422
	BRACKET, Seat Cushion Electric Switch Mtg. w/ Bucket or Split Seats	P,D,C,Y	—	AR	AR	AR	—	AR	—	—	2942 590
23-48-0 SECOND AND THIRD SEAT											
23-48-17	RING, 3rd Seat Back Release Latch Retaining	P,D,C	—	—	—	—	—	—	—	2	1922 183
23-48-19	STRIKER, 2nd Seat Back Latch	R,W	—	—	—	—	—	—	—	1 1	2583 144
	STRIKER, 3rd Seat Back Release Handle	P,D,C	—	—	—	—	—	—	—	2 2	2935 332
23-48-20	HANDLE, Rear Seat Back Release	R,W	—	—	—	—	—	—	—	— 1	2251 678
	HANDLE, 3rd Seat Back Release	P,D,C	—	—	—	—	—	—	—	1 —	2486 846
	HANDLE, 3rd Seat Back Latch Release	B	—	—	—	1	—	—	—	—	2802 535
23-48-21	ESCUTCHEON, Rear Seat Back Release Handle	R,W	—	—	—	—	—	—	—	1	2583 010
	ESCUTCHEON, 2nd Seat Back Latch	P,D,C	—	—	—	—	—	—	—	1	2486 844
	ESCUTCHEON, 2nd Seat Back Latch Push Rod	R,W	—	—	—	—	—	—	—	1	2862 612
	GROMMET, 3rd Seat Back Release Handle	P,D,C	—	—	—	—	—	—	—	1	2945 422
	GROMMET, 3rd Seat Back Latch Release Handle	B	—	—	—	1	—	—	—	—	2839 110
23-48-22	SPRING, 3rd Seat Back Release Handle	R,W	—	—	—	—	—	—	—	1	2588 818
	SPRING, 3rd Seat Back Release Handle Latch Return	P,D,C	—	—	—	—	—	—	—	1	2765 025
23-48-23	SLEEVE, Rr. Seat Back Release Handle	B	—	—	—	1	—	—	—	—	2999 861
23-48-24	BRACKET, 3rd Seat Back Release Handle	R,W	—	—	—	—	—	—	—	1	2999 861
	BRACKET, 3rd Seat Back Release Rod Mtg.	R,W	—	—	—	—	—	—	—	1	2862 614
	BRACKET, 3rd Seat Back Release Latch Mtg.	P,D,C	—	—	—	—	—	—	—	1	2862 474-5
23-48-30	SHIM, 3rd Seat Back Release Handle	P,D,C	—	—	—	—	—	—	—	AR	2862 488-9
23-48-32	COVER, Rear Seat Back Release Handle	B	—	—	—	1	—	—	—	—	2802 998
23-48-40	HOUSING, 3rd Seat Back Release Handle	R,W	—	—	—	—	—	—	—	1	2839 109
23-48-43	CAM, Rear Seat Back Catch Release	B	—	—	—	2	—	—	—	—	2583 616
23-48-44	RETAINER, 2nd Seat Back Panel Frame	R,W	—	—	—	—	—	—	—	1 1	2802 528
	BUSHING, 3rd Seat Back Release Handle	R,W	—	—	—	—	—	—	—	1	2254 575
23-48-51	KNOB, Rear Seat Back Release Handle	B	—	—	—	1	—	—	—	—	2583 429
	KNOB, 2nd Seat Back Lock Push Rod	R,W	—	—	—	—	—	—	—	1 1	2802 538
23-48-59	LEVER, Rear Seat Back Release	B	—	—	—	1	—	—	—	—	3524 BX9
23-48-60	ROD, Rear Seat Back Release	B	—	—	—	1	—	—	—	—	2802 533

TYPE LETTERS Indicates	B - Barracuda	V - Valiant L - Dart	R - Belvedere W - Coronet	P - Plymouth D - Dodge	C - Chrysler Y - Imperial
NUMERALS INDICATE:	21 - 2 DR. SED. 23 - 2 DR. H.T.	27 - CONV. CPE. 29 - FAST BACK	41 - 4 DR. SED. 43 - 4 DR. H.T.	45 - 6 PASS. STA. WGN. 46 - 9 PASS. STA. WGN.	

AR Indicates use as required. Numerals in parentheses () refer to notes. Printed in U.S.A. January 1971
 # Indicates parts not listed in any previous parts book ★ Indicates change or addition.

Right and left part numbers are on same line, first number is right, second number is left.

CODE	PART NAME	MODEL CODES	SEE BOTTOM NOTE								PART NUMBER	
			21	23	27	29	41	43	45	46		
23-48-0 SECOND AND THIRD SEAT Cont'd.												
23-48-65	PANEL, 2nd Seat Back	R,W P,D,C	—	—	—	—	—	—	1	1	2576 724 2493 662	
23-48-67	ROD, w/Latch, 3rd Seat Back Release	R,W P,D,C	—	—	—	—	—	—	—	1	2945 467 2945 461	
23-48-68	COVER and Hinge, 2nd Seat Back	Complete R,W P,D,C	—	—	—	—	—	—	1	1	2576 942	
23-48-70	LATCH and PIN, 3rd Seat Back		—	—	—	—	—	—	—	—	1	2945 416-7
23-48-88	SKID STRIP, Seat Back Support Panel	2nd Seat 3rd Seat P,D,C P,D,C	—	—	—	—	—	—	—	2	2526 949	
			—	—	—	—	—	—	—	—	2	2526 734
23-48-90	PLATE w/SCREW, Rear Floor Pan 3rd Seat Back Latch		R,W	—	—	—	—	—	—	—	2	2945 460
	PLATE w/SCREW, 3rd Seat Back Latch Release	P,D,C	—	—	—	—	—	—	—	2	2945 395	
	PLATE w/SCREW, Rr. Floor Pan 3rd Seat Back Hinge	P,D,C	—	—	—	—	—	—	—	2	2860 275	
23-48-93	BUMPER, Rear Seat Back Release Handle	B	—	—	—	1	—	—	—	—	2802 999	
	BUMPER, 2nd Seat Back Panel Frame	R,W	—	—	—	—	—	—	4	4	2255 147	
	BUMPER, 2nd Seat Back Cover Inner Panel	R,W	—	—	—	—	—	—	2	2	2255 147	
	BUMPER, 3rd Seat Back Support Upper Frame	R,W	—	—	—	—	—	—	—	2	2252 184	
	BUMPER, 3rd Seat Back Release Handle	R,W,P, D,C	—	—	—	—	—	—	—	1	2765 393	
	BUMPER, 2nd Seat Back	P,D,C	—	—	—	—	—	—	—	2	2862 466	
	BUMPER, 2nd Seat Back Hinge to Floor Pan Bracket	P,D,C	—	—	—	—	—	—	1	1	2574 322	
	BUMPER, 3rd Seat Back Support Outer Panel	P,D	—	—	—	—	—	—	—	2	2574 912	
	BUMPER w/Insert, 3rd Seat Back Panel	P,D	—	—	—	—	—	—	—	2	2529 943	
	BUMPER w/Insert, 3rd Seat Back Panel	D,C	—	—	—	—	—	—	—	2	2529 942	
	BUMPER Strip, 3rd Seat Back	P,D,C	—	—	—	—	—	—	—	1	3439 166	
23-48-98	HINGE, Rear Seat Back	B	—	—	—	1	—	—	—	—	2935 934-5	
	Hinge, Rr. Seat Back Latch	Seat Half B	—	—	—	1	—	—	—	—	2935 194-5	
			D,C	—	—	—	—	—	—	1	1	2484 868
23-48-99	HINGE, 2nd Seat Back Support Panel	BRACKET w/Tapping PLATE, Rear Seat Back Hinge to Wheelhouse Inner Panel B	—	—	—	1	—	—	—	—	2838 976-7	
	BRACKET, Seat Back Hinge to Wheelhouse Inner Panel		2nd Seat R,W	—	—	—	—	—	—	1	1	2573 320-1
	BRACKET, Seat Back Hinge to Floor Pan	2nd Seat P,D,C	—	—	—	—	—	—	1	1	2526 760-1	
		3rd Seat P,D,C	—	—	—	—	—	—	—	2	2861 656	
		3rd Seat R,W	—	—	—	—	—	—	—	1	2664 730-1	
	BRACKET, 2nd Seat Back to Wheelhouse	B	—	—	—	1	—	—	—	—	2945 596-7	
	REINFORCEMENT, Wheelhouse Inner Panel	2nd Seat Back Hinge R,W	—	—	—	—	—	—	2	2	2588 662	
	REINFORCEMENT, Center Floor Pan		2nd Seat Back Hinge Bracket P,D,C	—	—	—	—	—	—	1	1	2894 672-3
23-48-100	SPRING, Rear Seat Back Hinge Catch	B	—	—	—	1	—	—	—	—	2802 526-7	
23-48-102	CATCH, Rear Seat Back Hinge	B	—	—	2	—	—	—	—	—	2935 942	
23-48-105	SPACER, Rear Seat Back Latch Hinge	Body Half Seat Half B	—	—	2	—	—	—	—	—	2935 149	
			—	—	—	2	—	—	—	—	—	2935 193
23-48-109	LINK, 2nd Seat Back Cover Inner Panel to 2nd Seat Back Frame	Rt. Lt. R,W R,W	—	—	—	—	—	—	1	1	2574 254 2664 668	

TYPE LETTERS indicates	B - Barracuda	V - Valiant L - Dart	R - Belvedere W - Coronet	P - Plymouth D - Dodge	C - Chrysler Y - Imperial
NUMERALS INDICATE:	21 - 2 DR. SED. 23 - 2 DR. H.T.	27 - CONV. CPE. 29 - FAST BACK	41 - 4 DR. SED. 43 - 4 DR. H.T.	45 - 6 PASS. STA. WGN. 46 - 9 PASS. STA. WGN.	

AR Indicates use as required. Numerals in parentheses () refer to notes. Printed in U.S.A.
 # Indicates parts not listed in any previous parts book. ★ Indicates change or addition. January 1971
 Right and left part numbers are on same line, first number is right, second number is left.

CODE	PART NAME	MODEL CODES	SEE BOTTOM NOTE								PART NUMBER
			21	23	27	29	41	43	45	46	
23-48-0 SECOND AND THIRD SEAT Cont'd.											
23-48-109	LINK Cont'd. LINK, 2nd Seat Back Hinge										
		Fr.	P,D,C	—	—	—	—	—	2	2	2482 508
		Rr.	P,D,C	—	—	—	—	—	1	1	2482 510-1
	SHOULDER SCREW, 2nd Seat Back Link to 2nd Seat Cover Panel										
		7/8" Long	R,W	—	—	—	—	—	2	2	6024 972
	SHOULDER SCREW, 2nd Seat Back Link to 2nd Seat Back Frame										
		1 1/2" Long	R,W	—	—	—	—	—	2	2	6025 724
	SHOULDER SCREW, 2nd Seat Back Hinge Link										
		7/8" Long, Frt.	P,D,C	—	—	—	—	—	2	2	6024 973
		7/8" Long, Rr.	P,D,C	—	—	—	—	—	2	2	6024 972
	Coned WASHER		R,W	—	—	—	—	—	4	4	6022 187
	WASHER, Frt. and Rr.		P,D,C	—	—	—	—	—	4	4	6022 185
23-48-111	BRACKET, 2nd Seat Back Bumper Mtg.		P,D,C	—	—	—	—	—	2	2	2583 239
23-48-113	SPRING WASHER, 2nd Seat Back Link to 2nd Seat Cover Panel		R,W	—	—	—	—	—	4	4	869 770
	SPRING WASHER, 2nd Seat Back Hinge Link										
		Frt. and Rr.	P,D,C	—	—	—	—	—	8	8	869 770
23-48-121	HINGE, 3rd Seat Back Frame to Support Hinge (piano type)		R,W	—	—	—	—	—	—	1	2664 696
	HINGE w/STUD, 3rd Seat Back		P,D,C	—	—	—	—	—	—	1	2861 862-3
	HINGE, 3rd Seat Back to Support Panel										
		w/Cargo Dress-Up Pkg.	P,D	—	—	—	—	—	—	1	2895 203
		w/o Cargo Dress-Up Pkg.	P,D,C	—	—	—	—	—	—	1	2895 204
	HINGE, Rear Floor Pan Frt. and Rr. Cover										
		w/Cargo Dress-Up Pkg.	D,C	—	—	—	—	—	—	1	2895 203
		w/o Cargo Dress-Up Pkg.	P,D	—	—	—	—	—	—	1	2895 204
23-48-122	PUSH NUT, 3rd Seat Back Release Rod		R,W	—	—	—	—	—	—	2	2410 102
	PUSH NUT, 3rd Seat Back Hinge to Bracket		R,W,P, D,C	—	—	—	—	—	—	2	2410 102
23-48-188	BACK, Seat	Rr. Seat 3rd Seat	B	—	—	—	1	—	—	—	2769 987
	PANEL, Rear Seat Top and Back		P,D,C	—	—	—	—	—	—	1	2493 666
	PANEL, w/SUPPORT, 3rd Seat Back Complete		R,W	—	—	1	—	—	—	—	2876 564
23-48-189	SUPPORT, Seat Back										
		2nd Seat	P,D	—	—	—	—	—	1	1	2493 663
		2nd Seat	C	—	—	—	—	—	1	1	2493 664
		3rd	P,D,C	—	—	—	—	—	—	1	2493 882
23-48-200	LINK, Rear Seat Back Release		B	—	—	—	1	—	—	—	2802 534
23-48-201	LATCH, 2nd Seat Back		R,W	—	—	—	—	—	1	1	2583 142
			P,D,C	—	—	—	—	—	1	1	2765 086-7
23-48-202	ROD, Second Seat Back Latch		P,D,C	—	—	—	—	—	1	1	2765 089
23-48-203	SPRING, Rear Seat Back Release Handle Return		B	—	—	—	1	—	—	—	2802 536
	SPRING, 3rd Seat Back Release Rod Tension		R,W	—	—	—	—	—	—	1	2862 478-9
	SPRING, 2nd Seat Back Latch Rod		P,D,C	—	—	—	—	—	1	1	2520 852
	SPRING, 3rd Seat Back Release Latch Tension		R,W,P, D,C	—	—	—	—	—	—	1	2862 492-3
23-48-204	CLIP, Rear Seat Back Release Link										
		To Handle	B	—	—	—	1	—	—	—	2486 040
		To Lever	B	—	—	—	1	—	—	—	2486 040
	CLIP, 2nd Seat Back Latch Rod Spring		P,D,C	—	—	—	—	—	1	1	2765 088
23-48-205	BEARING, Rear Seat Back Release Lever		B	—	—	—	1	—	—	—	2802 601
	BEARING, Rear Seat Back Catch Release Cam										
23-48-206	RETAINER, 2nd Seat Back Latch Rod Bearing		P,D,C	—	—	—	—	—	1	1	2520 850

TYPE LETTERS Indicates V - Valiant R - Belvedere P - Plymouth C - Chrysler
 B - Barracuda L - Dart W - Coronet D - Dodge Y - Imperial

NUMERALS INDICATE: 21 - 2 DR. SED. 27 - CONV. CPE. 41 - 4 DR. SED. 45 - 6 PASS. STA. WGN.
 23 - 2 DR. H.T. 29 - FAST BACK 43 - 4 DR. H.T. 46 - 9 PASS. STA. WGN.

AR Indicates use as required. Numerals in parentheses () refer to notes. Printed in U.S.A.
 # Indicates parts not listed in any previous parts book ★ Indicates change or addition. January 1971

Right and left part numbers are on same line, first number is right, second number is left.

1969 PASSENGER CAR PARTS CATALOG

CODE	PART NAME	MODEL CODES	SEE BOTTOM NOTE							PART NUMBER
			21	23	27	29	41	43	45	
23-49-0 SEAT BELTS										
23-49-1	BELT, Front Seat Lap BUCKLE HALF									
	Blue	B,L,R,W	—	—	2	—	—	—	—	—
	Green		—	—	2	—	—	—	—	—
	Burgundy		—	—	2	—	—	—	—	—
	Red		—	—	2	—	—	—	—	—
	Black		—	—	2	—	—	—	—	—
	Label No. 2945 230	P,D,C	—	—	2	—	—	—	—	—
	Blue		—	—	2	—	—	—	—	—
	Red		—	—	2	—	—	—	—	—
	Black		—	—	2	—	—	—	—	—
	Green		—	—	2	—	—	—	—	—
	Champagne		—	—	2	—	—	—	—	—
	Label No. 2999 780	P,D,C	—	—	2	—	—	—	—	—
	Blue		—	—	2	—	—	—	—	—
	Green		—	—	2	—	—	—	—	—
	Champagne		—	—	2	—	—	—	—	—
	Red		—	—	2	—	—	—	—	—
	Black		—	—	2	—	—	—	—	—
	BUCKLE HALF, w/Shoulder Tip Label No. 2999 822-	P,D,C,Y	2	2	—	2	2	2	2	2
	Blue		2	2	—	2	2	2	2	2
	Briar		2	2	—	2	2	2	2	2
	Green		2	2	—	2	2	2	2	2
	Champagne		2	2	—	2	2	2	2	2
	Burgandy		2	2	—	2	2	2	2	2
	Turquoise		2	2	—	2	2	2	2	2
	Red		2	2	—	2	2	2	2	2
	Black		2	2	—	2	2	2	2	2
	BELT, Front Seat Lap w/RETRACTOR and COVER TIP HALF									
	Blue	V,B,L	1	1	1	1	1	—	—	—
	Green		1	1	1	1	1	—	—	—
	Champagne		1	1	1	1	1	—	—	—
	Red		1	1	1	1	1	—	—	—
	Black		1	1	1	1	1	—	—	—
	Blue	R,W	1	1	1	1	1	—	1	1
	Green		1	1	1	1	1	—	1	1
	Champagne		1	1	1	1	1	—	1	1
	Red		1	1	1	1	1	—	1	1
	Black		1	1	1	1	1	—	1	1
	Label No. 2999 824	P,D,C,Y	—	—	—	—	—	2	—	—
	Blue		—	—	—	—	—	2	—	—
	Briar		—	—	—	—	—	2	—	—
	Green		—	—	—	—	—	2	—	—
	Shampagne		—	—	—	—	—	2	—	—
	Burgundy		—	—	—	—	—	2	—	—
	Turquoise		—	—	—	—	—	2	—	—
	Red		—	—	—	—	—	2	—	—
	Black		—	—	—	—	—	2	—	—
	Label No. 2999 827	P,D,C,Y	2	2	2	2	2	—	2	2
	Blue		2	2	2	2	2	—	2	2
	Briar		2	2	2	2	2	—	2	2
	Green		2	2	2	2	2	—	2	2
	Champagne		2	2	2	2	2	—	2	2
	Burgundy		2	2	2	2	2	—	2	2
	Turquoise		2	2	2	2	2	—	2	2
	Red		2	2	2	2	2	—	2	2
	Black		2	2	2	2	2	—	2	2
	SHOULDER BOLT, Front Seat Lap Belt to Floor Att. 1 3/4" x 1/2"	All	AR	AR	AR	AR	AR	AR	AR	AR

TYPE LETTERS Indicates	B - Barracuda	V - Valiant L - Dart	R - Belvedere W - Coronet	P - Plymouth D - Dodge	C - Chrysler Y - Imperial
NUMERALS INDICATE:	21 - 2 DR. SED. 23 - 2 DR. H.T.	27 - CONV. CPE. 29 - FAST BACK	41 - 4 DR. SED. 43 - 4 DR. H.T.	45 - 6 PASS. STA. WGN. 46 - 9 PASS. STA. WGN.	

AR Indicates use as required. Numerals in parentheses () refer to notes. Printed in U.S.A.
 # Indicates parts not listed in any previous parts book. ★ Indicates change or addition. January 1971
 Right and left part numbers are on same line, first number is right, second number is left.

CODE	PART NAME	MODEL CODES	SEE BOTTOM NOTE								PART NUMBER	
			21	23	27	29	41	43	45	46		
23-49-0 SEAT BELTS Cont'd.												
NOTE: For Retractors and Covert see Part Type Code 1-67-15 and 1-67-18.												
NOTE: For Rear Seat Belts, Center Passenger Belts and Shoulder Belts see Part Type Code 1-67-1.												
23-49-7	BRACKET, Frt. Seat Shoulder Belt Stowage.	B,L	—	1	—	1	—	—	—	—	2945 132-2	
		V,L	1	—	—	—	1	—	—	—	2945 134-5	
		R,W	1	1	—	1	—	—	—	—	2945 314-5	
		R,W	—	—	—	—	1	—	1	1	2945 228-9	
		P,D,C	—	—	—	—	—	—	1	1	2999 106-7	
		P,D,C,Y	1	—	—	—	—	1	—	—	2999 094-5	
		P,D,C,Y	—	1	—	—	—	—	—	—	2999 096-7	
		P,D,C,Y	—	—	—	—	1	—	—	—	2999 092-3	
	BRACKET w/PLATE, Front Seat Lap Belt Stowage Single Type	Blue	V,B,L,									
		Green	R,W	2	2	2	2	2	—	2	2	4783 EB9
		Champagne		2	2	2	2	2	—	2	2	4783 EF8
		Red		2	2	2	2	2	—	2	2	4783 EL4
		Black		2	2	2	2	2	—	2	2	4783 ER6
	BRACKET, Front and Rear Seat Lap Belt STOWAGE Single Type	Blue	All	2	2	2	2	2	—	2	2	4783 DX9
		Briar		2	2	2	2	2	—	2	2	4752 EB9
		Green		2	2	2	2	2	—	2	2	4752 EE9
		Champagne		2	2	2	2	2	—	2	2	4752 EF8
		Burgundy		2	2	2	2	2	—	2	2	4752 EL4
		Turquoise		2	2	2	2	2	—	2	2	4752 EM9
		Red		2	2	2	2	2	—	2	2	4752 EQ4
		Black		2	2	2	2	2	—	2	2	4752 ER6
	BRACKET, Front and Rear Seat Lap Belt Stowage Double Type	Blue	All	1	1	1	1	1	1	1	1	4752 DX9
		Green		1	1	1	1	1	1	1	1	4753 EB9
		Champagne		1	1	1	1	1	1	1	1	4753 EF8
		Red		1	1	1	1	1	1	1	1	4753 EL4
		Black		1	1	1	1	1	1	1	1	4753 ER6
		Briar		1	1	—	1	1	1	1	1	4753 DX9
		Turquoise		1	1	—	1	1	1	1	1	4753 EE9
		Burgundy		1	1	—	1	1	1	1	1	4753 EQ4
	BRACKET, Front Seat Lap Belt Stowage w/Console	Blue	P, D, C	—	2	2	2	—	2	—	—	4756 EB9
		Green		—	2	2	2	—	2	—	—	4756 EF8
		Champagne		—	2	2	2	—	2	—	—	4756 EL4
		Black		—	2	2	2	—	2	—	—	4756 DX9
		Red		—	2	2	2	—	2	—	—	4756 ER6
23-49-8	PLUG, Shelf Trim Shoulder Belt Hole	Y		—	2	—	—	2	2	—	—	1339 EX9
23-49-9	REINFORCEMENT, Rr. Seat Shoulder Belt Shelf Panel	V, B, L,										
		R, W		1	1	—	1	1	—	—	—	2999 030
	REINFORCEMENT, Roof Rail Shoulder Belt Anchor	P, D, C		—	—	—	—	—	—	2	2	2894 983
	REINFORCEMENT and Nut, Wheelhouse Inner Panel Shoulder Belt	R, W		—	—	—	—	—	—	2	2	3439 324
	REINFORCEMENT and NUT, Body Side Sill Inner Seat Belt Outer	P,D,C,Y		2	2	2	2	2	2	2	2	2902 523

TYPE LETTERS Indicates	B - Barracuda	V - Valiant L - Dart	R - Belvedere W - Coronet	P - Plymouth D - Dodge	C - Chrysler Y - Imperial
NUMERALS INDICATE:	21 - 2 DR. SED. 23 - 2 DR. H.T.	27 - CONV. CPE. 29 - FAST BACK	41 - 4 DR. SED. 43 - 4 DR. H.T.	45 - 6 PASS. STA. WGN. 46 - 9 PASS. STA. WGN.	

AR Indicates use as required. Numerals in parentheses () refer to notes. Printed in U.S.A.
 # Indicates parts not listed in any previous parts book. ★ Indicates change or addition. January 1971
 Right and left part numbers are on same line, first number is right, second number is left.

CODE	PART NAME	MODEL CODES	SEE BOTTOM NOTE							PART NUMBER		
			21	23	27	29	41	43	45		46	
23-49-0 SEAT BELTS Cont'd.												
23-49-11	SPACER, Rear Seat Lap Belt to Floor Attaching	Inner	All	2	2	2	2	2	2	2	2	2999 053
		Outer	All	—	—	2	—	—	—	—	—	2999 053
23-49-17	BEZEL and SPACER, Seat Lap Belt	Blue	P,D,C,Y	—	2	—	2	2	2	2	2	4605 EB9
		Briar		—	2	2	—	2	2	2	2	4605 EE9
		Green		—	2	2	—	2	2	2	2	4605 EF8
		Burgundy		—	2	—	2	2	2	2	2	4605 EM9
		Turquoise		—	2	2	—	2	2	2	2	4605 EQ4
		Tan		—	2	2	—	2	2	2	2	4605 ET1
		Dark Tan		—	2	2	—	2	2	2	2	4605 ET8
		Black		—	2	—	2	2	2	2	2	4605 EX9
		Gold		—	2	2	—	2	2	2	2	4605 EY4

23-51-0 ROCKER PANEL AND BELT BAR

23-51-5 PANEL, Rocker

OUTER

	V	1	—	—	—	—	—	—	—	—	—	2604 152-3
	V	—	—	—	—	1	—	—	—	—	—	2604 154-5
	L	—	—	—	—	1	—	—	—	—	—	2603 628-9
	L	—	1	1	—	—	—	—	—	—	—	2604 156-7
Complete	L	—	—	1	—	—	—	—	—	—	—	2769 640-1
	B	—	1	1	1	—	—	—	—	—	—	2842 310-1
Complete	B	—	—	1	—	—	—	—	—	—	—	2934 060-1
	R, W	1	1	1	1	—	—	—	—	—	—	2838 282-3
Complete	R, W	—	—	1	—	—	—	—	—	—	—	2859 300-1
	R	—	—	—	—	1	—	—	—	—	—	2838 284-5
	W	—	—	—	—	1	—	—	—	—	—	2840 544-5
	R, W	—	—	—	—	—	—	1	1	—	—	2860 160-1
	P	1	1	1	1	—	—	—	—	—	—	2900 494-5
Complete	P	—	—	1	—	—	—	—	—	—	—	2934 336-7
	P	—	—	—	—	1	—	—	—	—	—	2900 490-1
	P	—	—	—	—	—	1	—	—	—	—	2901 820-1
	P, D, C	—	—	—	—	—	—	1	1	—	—	2893 188-9
	D	—	1	1	—	—	—	—	—	—	—	2900 500-1
Complete	D	—	—	1	—	—	—	—	—	—	—	2934 346-7
	D	—	—	—	—	1	—	—	—	—	—	2900 492-3
	D	—	—	—	—	—	1	—	—	—	—	2900 498-9
	C, Y	—	1	—	—	—	—	—	—	—	—	2900 504-5
	C	—	—	1	—	—	—	—	—	—	—	2900 504-5
Complete	C	—	—	1	—	—	—	—	—	—	—	2934 356-7
	C, Y	—	—	—	—	1	—	—	—	—	—	2900 502-3
	C, Y	—	—	—	—	—	1	—	—	—	—	2901 822-3

INNER

	Frnt.	V, B, L	1	1	1	1	1	—	—	—	—	2603 604-5
	Frnt.	R, W	1	1	1	1	1	—	1	1	—	2842 508-9
	Rr.	V, B	1	1	1	1	1	—	—	—	—	2604 170-1
	Rr.	L	1	1	1	—	—	—	—	—	—	2603 624-5
	Rr.	R, W	1	1	1	1	1	—	1	1	—	2527 112-3
	Frnt.	P, D, C, Y	1	1	1	1	1	1	1	1	1	2842 844-5
	Rr.	P, D, C, Y	1	1	1	1	1	1	1	1	1	2900 480-1
23-51-6	REINFORCEMENT, Frnt. Floor Pan sill to Rail	B, L	—	—	1	—	—	—	—	—	—	2604 900-1

TYPE LETTERS Indicates	B - Barracuda	V - Valiant L - Dart	R - Belvedere W - Coronet	P - Plymouth D - Dodge	C - Chrysler Y - Imperial
NUMERALS INDICATE:	21 - 2 DR. SED. 23 - 2 DR. H.T.	27 - CONV. CPE. 29 - FAST BACK	41 - 4 DR. SED. 43 - 4 DR. H.T.	45 - 6 PASS. STA. WGN. 46 - 9 PASS. STA. WGN.	

AR Indicates use as required.

Indicates parts not listed in any previous parts book

Numerals in parentheses () refer to notes.

★ Indicates change or addition.

Printed in U.S.A.

January 1971

Right and left part numbers are on same line, first number is right, second number is left.

CODE	PART NAME	MODEL CODES	SEE BOTTOM NOTE								PART NUMBER
			21	23	27	29	41	43	45	46	
23-51-0 ROCKER PANEL AND BELT BAR Cont'd.											
23-51-6	PANEL, INNER Cont'd.										
	REINFORCEMENT, Floor Pan Side Sill to Cowl Side	B, L	—	—	1	—	—	—	—	—	2604 898-9
		R, W	—	—	1	—	—	—	—	—	2841 662-3
	REINFORCEMENT, Side Sill Inner Panel to Torsion Bar C/Member	P, D, C, Y	1	1	1	1	1	1	1	1	2483 252-3
	REINFORCEMENT, Body Side Sill Outer Panel	Y	—	1	—	—	—	—	—	—	2902 356-7
		Y	—	—	—	—	1	1	—	—	2901 288-9
23-51-12	TIE PLATE, Side Sill to Center Pillar	P, D, C, Y	—	—	—	—	—	1	—	—	2902 360-1
23-51-19	GUSSET, Body Side Sill Outer Panel										
		Frnt	R, W	1	1	—	1	1	—	1	2838 276-7
		Rr.	R, W	—	—	—	—	1	—	1	2838 278-9
		Frnt.	P, D, C	2	2	—	2	2	2	2	2900 026
		Rr.	P, D, C	—	—	—	—	1	1	1	2900 030-1
		Center	P, D, C	1	1	—	1	—	—	—	2900 488-9
		Center	P, D, C	—	—	—	—	1	—	—	2902 364-5
		Frnt	Y	—	2	—	—	2	2	—	2901 276
		Rr.	Y	—	—	—	—	1	1	—	2901 282-3
	GUSSET, Body Side Sill Reinforcement										
		Center Rr.	Y	—	1	—	—	—	—	—	2902 478-9
	GUSSET, Body Side Sill Outer Panel Reinforcement										
		Center Frnt	Y	—	—	—	—	—	1	—	2901 280-1
	GUSSET w/T/PLATE, Body Side Sill Outer Panel Reinforcement										
			Y	—	2	—	—	2	2	—	2934 458
	GUSSET w/Weld NUT, Body Side Sill Outer Panel Reinforcement										
		Center Rr.	Y	—	1	—	—	—	1	—	2902 506-7
	GUSSET, Body Side Sill Outer Panel Reinforcement										
		Center Rr.	Y	—	1	—	—	—	1	—	2902 366-7
	GUSSET w/T/PLATE, Body Side Sill Qtr. Panel Front										
			P, D, C	2	2	—	2	2	2	2	2934 374
	GUSSET, Qtr. Belt Bar to W/House to Rear Qtr. Pillar										
			R, W	—	—	1	—	—	—	—	2838 214-5
	GUSSET, Qtr. Belt Bar to W/House										
			C	—	—	1	—	—	—	—	2901 082-3
23-51-41	BAR, Qtr. Panel Belt Frnt.										
			R, W	—	—	—	—	—	1	1	2811 758-9
		Rr.	R, W	—	—	—	—	—	1	1	2811 760-1
		Side	B	—	—	1	—	—	—	—	2839 660-1
	BAR, Qtr. Panel Belt Side										
		Frnt.	P, D, C	—	—	—	—	—	1	1	2893 244-5
		Rr.	P, D, C	—	—	—	—	—	1	1	2894 464-5
		Upr. and Lwr.	L	—	—	1	—	—	—	—	2604 804-5
		Upr. and Lwr.	R	—	—	1	—	—	—	—	2841 062-3
		Upr. and Lwr.	W	—	—	1	—	—	—	—	2841 048-9
		Upr. and Lwr.	P	—	—	1	—	—	—	—	2902 664-5
		Upr. and Lwr.	D	—	—	1	—	—	—	—	2902 666-7
		Upr. and Lwr.	C	—	—	1	—	—	—	—	2964 104-5
	BAR, Deck Opening Belt										
		Center	B	—	—	1	—	—	—	—	2839 510
		Center	L	—	—	1	—	—	—	—	2784 318
		Center	R, W	—	—	1	—	—	—	—	2841 052
		Center	P, D	—	—	1	—	—	—	—	2902 604
		Center	C	—	—	1	—	—	—	—	2902 605
23-51-43	CAP, Rocker Outer Panel										
		Frnt.	V,B,L	1	1	1	1	1	—	—	2782 844-5

TYPE LETTERS Indicates	B - Barracuda	V - Valiant L - Dart	R - Belvedere W - Coronet	P - Plymouth D - Dodge	C - Chrysler Y - Imperial
NUMERALS INDICATE:	21 - 2 DR. SED. 23 - 2 DR. H.T.	27 - CONV. CPE. 29 - FAST BACK	41 - 4 DR. SED. 43 - 4 DR. H.T.	45 - 6 PASS. STA. WGN. 46 - 9 PASS. STA. WGN.	

AR Indicates use as required. Numerals in parentheses () refer to notes. Printed in U.S.A.
 # Indicates parts not listed in any previous parts book. ★ Indicates change or addition. January 1971
 Right and left part numbers are on same line, first number is right, second number is left.

CODE	PART NAME	MODEL CODES	SEE BOTTOM NOTE								PART NUMBER	
			21	23	27	29	41	43	45	46		
23-51-0 ROCKER PANEL AND BELT BAR Cont'd.												
23-51-43	CAP Cont'd.											
		Frnt.	R, W	1	1	1	1	1	—	1	1	2840 820-1
		Frnt.	P, D, C, Y	1	1	1	1	1	1	1	1	2900 022-3
23-51-45	PLUG, Rocker Panel Outer Cap											
		Frnt.	All	2	2	2	2	2	2	2	2	2094 985
23-51-48	BRACE, Qtr. Panel Belt Bar to Pillar Support									1	1	2894 000-1
23-51-52	FILLER, Qtr. Belt Bar to Rear Pillar		R, W	—	—	—	—	—	—	1	1	2811 762-3
23-52-0 SEAT SPRING												
23-52-1	HELPER SPRING, Front Seat Cushion Coil Type		W-T	—	—	—	—	1	—	—	—	3412 192
	HELPER SPRING, Rear Seat Cushion Heavy Duty		R, W	—	—	—	—	2	—	—	—	2767 468
23-54-0 TAILGATE												
23-54-1	LATCH											
	T/Gate	Upr. Lt.	R, W	—	—	—	—	—	—	1	1	2862 077
	T/Gate	Lwr. Rt.	R, W	—	—	—	—	—	—	1	1	2862 100
	T/Gate and Door	Upr. Rt.	All	—	—	—	—	—	—	1	1	2862 088
	T/Gate	Upr. Lt.	P, D, C	—	—	—	—	—	—	1	1	2945 471
	T/Gate	Lwr. Rt.	P, D, C	—	—	—	—	—	—	1	1	2935 432
23-54-2	OVERLAY, T/Gate Outside Panel											
			R-P	—	—	—	—	—	—	1	1	2963 677
			W-P	—	—	—	—	—	—	1	1	2963 977
			D-H	—	—	—	—	—	—	1	1	2902 294
			C	—	—	—	—	—	—	1	1	2902 452
23-54-3	TAILGATE											
			R	—	—	—	—	—	—	1	1	2859 220
			W	—	—	—	—	—	—	1	1	2934 539
			P-E	—	—	—	—	—	—	1	1	2934 091
			P-L, P-M	—	—	—	—	—	—	1	1	2934 089
	w/Ornamentation Pkg.		P-K	—	—	—	—	—	—	1	—	2934 089
	w/oOrnamentation Pkg.		P-K	—	—	—	—	—	—	1	—	2934 091
			D	—	—	—	—	—	—	1	1	2934 090
			C	—	—	—	—	—	—	1	1	2934 091
23-54-4	HINGE, T/Gate											
		T/Gate Half, Lt.	R, W	—	—	—	—	—	—	1	1	2945 162
	UP TO Approximately Dec. 20, 1968		P,D,C	—	—	—	—	—	—	1	1	2999 783
	After Approximately Dec. 20, 1968											
	T/Gate Lt.		P,D,C	—	—	—	—	—	—	1	1	2999 963
	HINGE, T/Gate Upper Body Half											
	Up to Approximately Dec. 20, 1968											
			P,D,C	—	—	—	—	—	—	1	1	2935 422
	After Approximately Dec. 20, 1968		P,D,C	—	—	—	—	—	—	1	1	2999 962
	HINGE PACKAGE, T/Gate Door and Body		P,D,C	—	—	—	—	—	—	1	1	3481 956
	STUD, T/Gate Hinge Lt.											
	1/2" - 13 x 1 5/8"	Frnt.	All	—	—	—	—	—	—	1	1	6026 976
	1/2" - 13 x 2"	Rr.	All	—	—	—	—	—	—	1	1	6026 977
	STUD, T/Gate Door Lower Hinge Support to Door Attaching											
	3/4" - 10 x 3 1/2"	Lt.	R, W	—	—	—	—	—	—	1	1	6027 409
	PIN, Lower T/Gate Hinge											
	3/4" - 10 x 3 1/2"		P, D, C	—	—	—	—	—	—	1	1	6027 925
	NUT	3/4 - 10	All	—	—	—	—	—	—	1	1	272 919
	STRAP, T/Gate Door Check											
		Body Half Hinge	R, W	—	—	—	—	—	—	1	1	2862 115
	PIN, T/Gate Upper Hinge Body Half Attaching											
	1/2" x 2 3/8" (Knurled End)		R, W	—	—	—	—	—	—	1	1	6027 476

TYPE LETTERS INDICATES	B - Barracuda	V - Valiant L - Dart	R - Belvedere W - Coronet	P - Plymouth D - Dodge	C - Chrysler Y - Imperial
NUMERALS INDICATE:	21 - 2 DR. SED. 23 - 2 DR. H.T.	27 - CONV. CPE. 29 - FAST BACK	41 - 4 DR. SED. 43 - 4 DR. H.T.	45 - 6 PASS. STA. WGN. 46 - 9 PASS. STA. WGN.	

AR Indicates use as required.

Indicates parts not listed in any previous parts book

Numerals in parentheses () refer to notes.

★ Indicates change or addition.

Printed in U.S.A.

January 1971

Right and left part numbers are on same line, first number is right, second number is left.

CODE	PART NAME	MODEL CODES	SEE BOTTOM NOTE								PART NUMBER
			21	23	27	29	41	43	45	46	
23-54-0 TAILGATE Cont'd.											
23-54-4	HINGE Cont'd.										
	SPRING PIN, T/Gate Door Check Strap Mtg. Bracket Attaching										
	1 5/8" Long	R, W	—	—	—	—	—	—	2	2	9420 947
	PIN, T/Gate Door Check Strap Attaching										
	1/4" x 1 1/8"	R, W	—	—	—	—	—	—	1	1	103 740
	SCREW w/WASHER, T/Gate Door Check Strap										
	10 - 24 x 1"	R, W	—	—	—	—	—	—	1	1	6024 072
23-54-5	SUPPORT, T/Gate Door Lower Hinge										
		Lt.	R, W	—	—	—	—	—	1	1	2862 129
		Lt.	P, D, C	—	—	—	—	—	1	1	2945 813
	SUPPORT, T/Gate Lower Hinge										
		Lt.	R, W	—	—	—	—	—	1	1	2862 131
	SUPPORT, T/Gate Lower Hinge										
			P, D, C	—	—	—	—	—	1	1	2935 426
23-54-6	STRIKER, T/Gate Latch										
	T/Gate Uppr. Latch	Rt.	All	—	—	—	—	—	1	1	6027 528
	T/Gate Uppr. Latch	Lt.	R, W	—	—	—	—	—	1	1	2945 413
	T/Gate Lower Latch	Rt.									
	Up To Approximately May 1, 1969		All	—	—	—	—	—	1	1	2862 098
	After Approximately May 1, 1969		All	—	—	—	—	—	1	1	3454 480
	T/Gate Uppr. Latch	Lt.	P, D, C	—	—	—	—	—	1	1	2945 856
	T/PLATE, Qtr. Panel T/Gate Upper Latch										
	Striker	Rt.	R, W	—	—	—	—	—	1	1	2860 542
	T/PLATE, T/Gate Latch Striker										
		Lt.	All	—	—	—	—	—	1	1	2862 655
	PLATE, T/Gate Latch Striker										
		Rt.	All	—	—	—	—	—	1	1	2862 272
	PLATE, T/Gate Door Lower Latch Striker								AR	AR	3454 492
	SCREW w/WASHER, T/Gate Lower Latch										
	Striker Attaching										
	5/16" - 18 x 7/8"	Rt.	All	—	—	—	—	—	4	4	6026 067
	SCREW w/WASHER, T/Gate Latch Striker										
	Plate Attaching										
	5/16" - 18 x 7/8"	Rt	All	—	—	—	—	—	2	2	6026 067
23-54-11	NAME PLATES, NAME LETTERS, ORNAMENTS and MEDALLIONS, Tailgate (1)										
23-54-17	Pin, T/Gate Hinge										
	Up to Approximately Dec. 20, 1968		P,D,C	—	—	—	—	—	1	1	2999716
	After Approximately Dec. 20, 1968		P,D,C	—	—	—	—	—	1	1	2999959
	Spring Pin, T/Gate Door Hinge Upper Pin										
	Retaining										
	3/16" x 7/8		P,D,C	—	—	—	—	—	1	1	152233
23-54-20	BUSHING, T/Gate Door Lower Hinge										
	BUSHING, T/Gate Lower Hinge Support		All	—	—	—	—	—	1	1	2862 127
		Lt.	All	—	—	—	—	—	AR	AR	2862 133
	BUSHING, T/Gate Upper Hinge										
	Body Half		R, W	—	—	—	—	—	1	1	2862 122
	Body Half Or Pillar Half										
	5/8" Long		P,D,C	—	—	—	—	—	1	1	2935 567
	1 1/32" Long		P,D,C	—	—	—	—	—	1	1	2999 650
	RING, T/Gate Lower Hinge Support										
	Attaching	Lt	All	—	—	—	—	—	1	1	6026 972
23-54-21	WEDGE, T/Gate Door										
		Lt.	R, W	—	—	—	—	—	1	1	2862 275
		Lt.	P, D, C	—	—	—	—	—	1	1	2945 803

TYPE LETTERS Indicates	B - Barracuda	V - Valiant L - Dart	R - Belvedere W - Coronet	P - Plymouth D - Dodge	C - Chrysler Y - Imperial
NUMERALS INDICATE:	21 - 2 DR. SED. 23 - 2 DR. H.T.	27 - CONV. CPE. 29 - FAST BACK	41 - 4 DR. SED. 43 - 4 DR. H.T.	45 - 6 PASS. STA. WGN. 46 - 9 PASS. STA. WGN.	

AR Indicates use as required. Numerals in parentheses () refer to notes. Printed in U.S.A.
 # Indicates parts not listed in any previous parts book. ★ Indicates change or addition. January 1971
 Right and left part numbers are on same line, first number is right, second number is left.

CODE	PART NAME	MODEL CODES	SEE BOTTOM NOTE						PART NUMBER			
			21	23	27	29	41	43		45	46	
23-54-0 TAILGATE Cont'd.												
23-54-27	SPACER, T/Gate Lower Hinge Support	Lt. All	—	—	—	—	—	1	1	2862 130		
	SPACER, T/Gate and Door Upper Latch	Rt. R, W	—	—	—	—	—	1	1	2935 850		
	SPACER, T/Gate Door Check Strap	R, W	—	—	—	—	—	1	1	2862 818		
	SPACER, T/Gate Hinge Retaining	P, D, C	—	—	—	—	—	1	1	2945 860		
	SHIM, T/Gate Upper Hinge Body Half	⊕ W	—	—	—	—	—	AR	AR	2862 124		
23-54-28	SEAL, Rear Floor T/Gate Opening Sill Panel to Rear Bumper	R, W	—	—	—	—	—	1	1	2860 644		
	SEAL, Quarter Panel T/Gate Pillar Hinge Pivot Bracket to Rear Bumper Stone	Lt. R, W	—	—	—	—	—	1	1	2860 645		
	SEAL, Rear T/Gate Opening Sill and Hinge Pillar Support To Bumper	P, D, C	—	—	—	—	—	1	1	3439 155		
23-54-31	SPRING, T/Gate Door Check Strap	R, W	—	—	—	—	—	1	1	2862 274		
23-54-40	SLEEVE NUT, T/Gate Door Check Strap	R, W	—	—	—	—	—	1	1	2862 817		
23-54-53	SEAL, T/Gate Inside Panel Cover to Inside Panel	R, W	—	—	—	—	—	1	1	2588 641		
23-54-56	LINK, T/Gate Support	All	—	—	—	—	—	1	1	2862 118		
	SHOULDER BOLT, T/Gate Support Link Attaching	All	—	—	—	—	—	2	2	6026 984		
	WASHER	All	—	—	—	—	—	2	2	6024 888		
23-54-70	LABEL, Caution T/Gate Glass	R, W	—	—	—	—	—	1	1	2861 773		
	LABEL, T/Gate Door Hinge Release Direction	P, D, C	—	—	—	—	—	1	1	2895 183		
23-54-72	REGULATOR, Window	Manual R, W	—	—	—	—	—	1	—	2862 257		
		Electric R, W	—	—	—	—	—	1	1	2862 449		
		Electric P, D, C	—	—	—	—	—	1	1	3454 258		
	SPRING NUT	R, W	—	—	—	—	—	2	2	6000 305		
23-54-73	HANDLE, Manual Wdo. Reg. Outside	R, W	—	—	—	—	—	1	—	2583 331		
	Complete	R, W	—	—	—	—	—	1	—	2583 022		
	Stud, Manual Wdo. Reg. O/Side Handle Base	R, W	—	—	—	—	—	3	—	6024 588		
	STUD, Electric Wdo. Reg. O/Side Ornament	R, W	—	—	—	—	—	2	2	6024588		
23-54-74	SPRING, Wdo. Reg. Assist	Manual R, W	—	—	—	—	—	1	—	2486 971		
		Electric R, W	—	—	—	—	—	1	1	2486 971		
		Electric P, D, C	—	—	—	—	—	1	1	2945 545		
23-54-77	RING, Manual Wdo. Reg. O/Side Handle Interlocking	R, W	—	—	—	—	—	1	—	2428 071		
23-54-78	PAD, T/Gate Electric Window Regulator Motor Bumper	P, D, C	—	—	—	—	—	1	1	2999 364		
23-54-79	RETAINER, Manual Wdo. Reg. O/Side Handle Knob	R, W	—	—	—	—	—	1	—	1775 164		
23-54-88	Slide, T/Gate Electric Window Track	P, D, C	—	—	—	—	—	2	2	2862 646		
23-54-92	GASKET, Manual Wdo. Reg. O/Side Handle	R, W	—	—	—	—	—	1	—	2583 023		
23-54-98	ROLLER, Manual Wdo. Reg. Arm to Glass	R, W	—	—	—	—	—	2	—	2486 874		
	ROLLER, Electric Wdo. Reg. Arm	R, W	—	—	—	—	—	2	2	2486 874		
23-54-100	HOUSING, Manual Wdo. Reg. O/Side Handle Shaft	R, W	—	—	—	—	—	1	—	2802 796		
23-54-102	SET SCREW, Manual Wdo. Reg. O/Side Handle to Lever Pivot Pin	R, W	—	—	—	—	—	2	—	1960 017		
23-54-103	BUMPER, Wdo. Glass Stop Down Position UP TO Approximately June 2, 1969	R, W	—	—	—	—	—	2	2	2861 828		
	After Approximately June 2, 1969	P, D, C	—	—	—	—	—	2	2	2484 941		
		P, D, C	—	—	—	—	—	2	2	3440 317		
TYPE LETTERS Indicates												
B - Barracuda			V - Valiant L - Dart			R - Belvedere W - Coronet			P - Plymouth D - Dodge		C - Chrysler Y - Imperial	
NUMERALS INDICATE:												
21 - 2 DR. SED.			27 - CONV. CPE.			41 - 4 DR. SED.			45 - 6 PASS. STA. WGN.			
23 - 2 DR. H.T.			29 - FAST BACK			43 - 4 DR. H.T.			46 - 9 PASS. STA. WGN.			

AR Indicates use as required.

Indicates parts not listed in any previous parts book

Numerals in parentheses () refer to notes.

★ Indicates change or addition.

Printed in U.S.A.

January 1971

Right and left part numbers are on same line, first number is right, second number is left.

CODE	PART NAME	MODEL CODES	SEE BOTTOM NOTE								PART NUMBER
			21	23	27	29	41	43	45	46	
23-54-0 TAILGATE Cont'd.											
23-54-107	PLATE, Electric Wdo. Regulator	R, W	—	—	—	—	—	—	1	1	2945 048
23-54-125	SPACER, T/Gate Wdo. Reg. w/T/Gate Wdo. Wiper and Washer	All	—	—	—	—	—	—	AR	AR	2822 993
23-54-128	CLIP, Manual Wdo. Reg. Handle Pawl Spring Retaining	R, W	—	—	—	—	—	—	1	—	1961 318
23-54-136	PLATE, Quarter Panel T/Gate Hinge Pivot Bracket	R, W	—	—	—	—	—	—	1	1	2934 099
	T/PLATE, T/Gate Door Lower Hinge Support	Lt. R, W	—	—	—	—	—	—	1	1	2862 437
23-54-140	BAR, T/GATE DOOR TORSION CHECK UP TO Approximately March 24, 1969	P,D,C	—	—	—	—	—	—	1	1	2935 572
	AFTER Approximately March 24, 1969	P,D,C	—	—	—	—	—	—	1	1	3454 352
	BAR, T/Gate Hinge Torsion	R, W	—	—	—	—	—	—	1	1	2945 066
		P,D,C	—	—	—	—	—	—	1	1	2935425
23-54-141	RETAINER, T/Gate Hinge Torsion Bar Center	R, W	—	—	—	—	—	—	1	1	2862 113
	RETAINER, T/Gate Hinge Torsion Bar Center Bearing	P, D, C	—	—	—	—	—	—	1	1	2945 899
	RETAINER, Rear T/Gate Opening Sill and Hinge Pillar Support to Bumper Seal	P, D, C	—	—	—	—	—	—	12	12	2898 909
23-54-142	BEARING, T/Gate Hinge Torsion Bar Center	All	—	—	—	—	—	—	1	1	2583 614
	BEARING, T/Gate Door Hinge Torsion Bar Pivot	R, W	—	—	—	—	—	—	1	1	2945 065
	BEARING, T/Gate Hinge Torsion Bar Pivot Bracket	P, D, C	—	—	—	—	—	—	1	1	2935 571
23-54-143	BRACKET, T/Gate Door Check Strap Mtg.	R, W	—	—	—	—	—	—	1	1	2862 280
	BRACKET, Quarter Panel T/Gate Hinge Pivot	R, W	—	—	—	—	—	—	1	1	2860 484
	BRACKET, T/Gate Door Check Torsion Bar	P, D, C	—	—	—	—	—	—	1	1	2945 854
	BRACKET, T/Gate Opening Pillar Cover	P, D, C	—	—	—	—	—	—	1	1	2879 214-5
23-54-144	CLAMP, T/Gate Hinge Torsion Bar End	R, W	—	—	—	—	—	—	1	1	2862 114
		P, D, C	—	—	—	—	—	—	1	1	2935 569
	CLAMP, T/Gate Lower Hinge Support Outer	Lt. R, W	—	—	—	—	—	—	1	1	2862 295
	CLAMP, T/Gate Lower Hinge Support Outer	P, D, C	—	—	—	—	—	—	1	1	2935 427
23-54-149	REINFORCEMENT, Quarter Panel T/Gate Hinge Pivot Bracket	R, W	—	—	—	—	—	—	1	1	2860 485
	REINFORCEMENT, T/Gate Opening Sill Panel to Quarter Panel T/Gate Pillar Support	Lt. P, D, C	—	—	—	—	—	—	1	1	2895 359
23-54-150	COVER, Inside Panel Reg. Access Hole	R, W	—	—	—	—	—	—	1	1	2860 260
		P, D, C	—	—	—	—	—	—	1	1	2893 867
23-54-152	COUPLING, Elect. Wdo. Reg. Motor to Mechanism	R, W	—	—	—	—	—	—	1	1	1778 955
		P, D, C	—	—	—	—	—	—	1	1	2486 072
23-54-159	RELAY w/BRACKET, T/Gate Wdo. Lift	R,W	—	—	—	—	—	—	1	1	3004 186
		P,D,C	—	—	—	—	—	—	1	1	2932 834
23-54-160	MOTOR, Elect. Wdo. Reg.	All	—	—	—	—	—	—	1	1	2448 640
23-54-165	MECHANISM, Elect. Wdo. Reg.	R, W	—	—	—	—	—	—	1	1	2486 882
		P,D,C	—	—	—	—	—	—	1	1	2935751
	SCREW w/WASHER, T/Gate Elect. Wdo. Reg. Mechanism	R, W	—	—	—	—	—	—	1	1	6025 879
		R, W	—	—	—	—	—	—	3	3	6025 895
		P, D, C	—	—	—	—	—	—	4	4	6027 549

TYPE LETTERS Indicates	B - Barracuda	V - Valiant L - Dart	R - Belvedere W - Coronet	P - Plymouth D - Dodge	C - Chrysler Y - Imperial
NUMERALS INDICATE:	21 - 2 DR. SED. 23 - 2 DR. H.T.	27 - CONV. CPE. 29 - FAST BACK	41 - 4 DR. SED. 43 - 4 DR. H.T.	45 - 6 PASS. STA. WGN.	46 - 9 PASS. STA. WGN.

AR Indicates use as required. Numerals in parentheses () refer to notes. Printed in U.S.A.
 # Indicates parts not listed in any previous parts book. ★ Indicates change or addition. January 1971

Right and left part numbers are on same line, first number is right, second number is left.

CODE	PART NAME	MODEL CODES	SEE BOTTOM NOTE								PART NUMBER
			21	23	27	29	41	43	45	46	
23-54-0 TAILGATE Cont'd.											
23-54-167	SWITCH, Elect. Wdo. Lift										
	On Inst. Panel	R, W	—	—	—	—	—	—	1	1	2864 007
	Lock on T/Gate	R, W	—	—	—	—	—	—	1	1	2661 565
	Limit on T/Gate	R, W	—	—	—	—	—	—	1	1	2857 842
	On Inst. Panel	P, D	—	—	—	—	—	—	1	1	2864 491
	On Inst. Panel	C	—	—	—	—	—	—	1	1	2864 489
	Lock on T/Gate	P, D, C	—	—	—	—	—	—	1	1	2926 695
	Limit on T/Gate	P, D, C	—	—	—	—	—	—	1	1	2926 698
23-54-169	KNOB, Elect. Wdo. Lift Switch	C	—	—	—	—	—	—	1	1	2947 263
23-54-170	BEZEL, Elect. Wdo. Lift Switch										
	On Inst. Panel	D	—	—	—	—	—	—	1	1	2864 497
	DECAL, T/Gate Wdo. Lift Switch	R, W	—	—	—	—	—	—	1	1	2947 212
		P	—	—	—	—	—	—	1	1	2947 187
	PLATE, T/Gate Wdo. Lift Switch Mtg.	C	—	—	—	—	—	—	1	1	2947 246
23-54-178	WIRING, T/Gate	R, W	—	—	—	—	—	—	1	1	2889 433
	WIRING, T/Gate Wdo. Lift	P	—	—	—	—	—	—	1	1	2926 417
		D	—	—	—	—	—	—	1	1	2926 418
		C	—	—	—	—	—	—	1	1	2926 419
	WIRING, T/Gate Wdo. Lift Switch										
	w/o T/Gate Wdo. Wiper and Washer										
	UP TO Approximately Feb. 3, 1969	R, W	—	—	—	—	—	—	1	1	2926 017
	AFTER Approximately Feb 3, 1969	R, W	—	—	—	—	—	—	1	1	2983 443
	w/T/Gate Wdo. Wiper and Washer	R, W	—	—	—	—	—	—	1	1	2889 393
		P	—	—	—	—	—	—	1	1	2926 799
	UP TO Approximately Feb. 3, 1969	D	—	—	—	—	—	—	1	1	2983 142
	After AFTER Approximately, Feb. 3, 1969	D	—	—	—	—	—	—	1	1	2983 444
		C	—	—	—	—	—	—	1	1	2926 140
23-54-187	BRACKET, w/BUSHING, T/Gate Remote Control Link Bearing Intrusion	P, D, C	—	—	—	—	—	—	1	1	2945 362
	BRACKET, T/Gate Latch Remote Control Intrusion Link Bearing	R, W	—	—	—	—	—	—	1	1	2862 467
23-54-205	BUMPER, T/Gate Latch										
	Lwr. Hsg. Rt	All	—	—	—	—	—	—	1	1	2583 849
	Upr. Hsg. Lt.	All	—	—	—	—	—	—	1	1	2583 849
	Door Upr. Rt.	All	—	—	—	—	—	—	1	1	2583 849
23-54-214	KNOB, Latch Remote Control Handle	R, W	—	—	—	—	—	—	1	1	2862 453
		P, D, C	—	—	—	—	—	—	1	1	2935 604
	NUT, T/Gate Door Latch Remote Control Handle Knob Attaching	P, D, C	—	—	—	—	—	—	1	1	6025919
23-54-216	LINK, T/Gate Remote Control to Upper Latch	Rt. R, W	—	—	—	—	—	—	1	1	2935 923
	LINK, T/Gate and Door Remote Control Upper Latch	Rt. R, W	—	—	—	—	—	—	1	1	2935 924
	LINK, T/Gate and Door Upper to Lower Latch	Rt. R, W	—	—	—	—	—	—	1	1	2935 925
	LINK, T/Gate Remote Control Intrusion Link w/Sleeve, T/Gate Remote Control to Upper Latch	R, W	—	—	—	—	—	—	1	1	2935 921
	Up to Approximately Jan. 15, 1969	Lt. R, W	—	—	—	—	—	—	1	1	2935933
	After Approximately Jan. 15, 1969	Lt. R, W	—	—	—	—	—	—	1	1	3454135
	LINK, T/Gate and Door Latch Remote Control Intrusion	P, D, C	—	—	—	—	—	—	1	1	2999 003
	Link w/Sleeve, T/Gate Door Latch Remote Control to Upper Latch										
	Up to Approximately Feb. 1, 1969	Lt. P, D, C	—	—	—	—	—	—	1	1	2999019
	After Approximately Feb. 1, 1969	Lt. P, D, C	—	—	—	—	—	—	1	1	3454147

TYPE LETTERS Indicates

B - Barracuda

V - Valiant
L - DartR - Belvedere
W - CoronetP - Plymouth
D - DodgeC - Chrysler
Y - Imperial

NUMERALS INDICATE:

21 - 2 DR. SED.

23 - 2 DR. H.T.

27 - CONV. CPE.

29 - FAST BACK

41 - 4 DR. SED.

43 - 4 DR. H.T.

45 - 6 PASS. STA. WGN.

46 - 9 PASS. STA. WGN.

AR Indicates use as required.

Indicates parts not listed in any previous parts book

Numerals in parentheses () refer to notes.

★ Indicates change or addition.

Printed in U.S.A.

January 1971

Right and left part numbers are on same line, first number is right, second number is left.

CODE	PART NAME	MODEL CODES	SEE BOTTOM NOTE								PART NUMBER	
			21	23	27	29	41	43	45	46		
23-54-0 TAILGATE Cont'd.												
23-54-216	LINK Cont'd. LINK, T/Gate and Door Latch Remote Control to Upper Latch	Rt.	P, D, C	—	—	—	—	—	—	1	1	2935 440
	LINK, T/Gate Door Latch Remote Control to Upper Latch	Rt.	P, D, C	—	—	—	—	—	—	1	1	2935 438
	LINK, T/Gate Door Upper to Lower Latch	Rt.	P, D, C	—	—	—	—	—	—	1	1	2945 364
	SWIVEL, T/Gate Remote Control to Upper Latch Link Attaching	Rt.	All	—	—	—	—	—	—	2	2	6027 180
	SWIVEL, T/Gate Latch Remote Control to Upper Latch Link	Lt.	All	—	—	—	—	—	—	1	1	6027 180
23-54-217	CLIP, T/Gate Remote Control Upper Latch Link Inside Panel Anti-Rattle	Lt.	R, W	—	—	—	—	—	—	1	1	2862 323
	CLIP, T/Gate Upper Latch Release Lever	Lt.	R, W	—	—	—	—	—	—	1	1	2862 585
		Lt.	P, D, C	—	—	—	—	—	—	1	1	2486 040
	CLIP, T/Gate Latch Remote Control Release Lever		P, D, C	—	—	—	—	—	—	1	1	2486 040
	CLIP, T/Gate and Door Latch Remote Control		All	—	—	—	—	—	—	4	4	2862 585
	CLIP, T/Gate and Door Upper Latch	Rt.	All	—	—	—	—	—	—	3	3	2862 585
	CLIP, Retainer, T/Gate and Door Upper Latch (On Lower Lever)		All	—	—	—	—	—	—	2	2	2862758
	(On Upper Lever)		All	—	—	—	—	—	—	1	1	2935920
	CLIP RETAINER, T/Gate Latch Remote Control to Upper Latch Link Attaching		All	—	—	—	—	—	—	1	1	2935920
	Clip Retainer, T/Gate Lower Latch Locking Lever		R,W	—	—	—	—	—	—	1	1	2935920
	CLIP RETAINER, T/Gate Upper Latch Release Lever		R, W	—	—	—	—	—	—	1	1	2862 758
			P,D,C	—	—	—	—	—	—	1	1	6026697
	CLIP RETAINER, T/Gate and Door Latch Remote Control		All	—	—	—	—	—	—	3	3	2862 758
23-54-218	CONTROL, T/Gate and Door Latch Remote Up to Approximately Jan. 15, 1969		R,W	—	—	—	—	—	—	1	1	2945356
	After Approximately Jan. 15, 1969		R,W	—	—	—	—	—	—	1	1	3454139
	Up to Approximately Feb. 1, 1969		P,D,C	—	—	—	—	—	—	1	1	2945 875
	After Approximately Feb. 1, 1969		P,D,C	—	—	—	—	—	—	1	1	3454141
	SCREW w/WASHER, T/Gate and Door Latch Remote Control Attaching		All	—	—	—	—	—	—	3	3	6023 092
23-54-221	BEZEL, Latch Remote Control Handle	Black	R, W	—	—	—	—	—	—	1	1	4503 DX9
		Blue	R, W	—	—	—	—	—	—	1	1	4503 EB7
		Gray	R, W	—	—	—	—	—	—	1	1	4503 EA4
		Green	R, W	—	—	—	—	—	—	1	1	4503 EF8
		Tan	R, W	—	—	—	—	—	—	1	1	4503 ET7
			P, D, C	—	—	—	—	—	—	1	1	2935 603
	SCREW, Latch Remote Control Handle Bezel Attaching		R, W	—	—	—	—	—	—	2	2	9415 537
			P, D, C	—	—	—	—	—	—	2	2	9416 208

TYPE LETTERS Indicates V - Valiant R - Belvedere P - Plymouth C - Chrysler
 B - Barracuda L - Dart W - Coronet D - Dodge Y - Imperial

NUMERALS INDICATE: 21 - 2 DR. SED. 27 - CONV. CPE. 41 - 4 DR. SED. 45 - 6 PASS. STA. WGN.
 23 - 2 DR. H.T. 29 - FAST BACK 43 - 4 DR. H.T. 46 - 9 PASS. STA. WGN.

AR Indicates use as required. Numerals in parentheses () refer to notes. Printed in U.S.A.
 # Indicates parts not listed in any previous parts book ★ Indicates change or addition. January 1971

Right and left part numbers are on same line, first number is right, second number is left.

CODE	PART NAME	MODEL CODES	SEE BOTTOM NOTE							PART NUMBER	
			21	23	27	29	41	43	45		46
23-54-0 TAILGATE Cont'd.											
23-54-222	BOOT, Latch Remote Control Handle	P, D, C	—	—	—	—	—	—	1	1	2935 605
	WEATHERSTRIP, Latch Remote Control Handle	R, W	—	—	—	—	—	—	1	1	2945 110
23-54-227	BUSHING, Remote Control Intrusion Link	All	—	—	—	—	—	—	1	1	2583 429
23-58-0 FOLDING TOP											
23-58-3	TOP, Folding, w/o Mechanism or Soft Trim	B, L	—	—	1	—	—	—	—	—	1981 CX9
		R, W	—	—	1	—	—	—	—	—	1995 DX9
		P, D, C	—	—	1	—	—	—	—	—	2901 273
NOTE: See Code 23-112-0 For Folding Top Soft Trim											
23-58-75	BOW, Folding Top	No. 1	B, L	—	—	1	—	—	—	—	2605 502
		No. 2	B, L	—	—	1	—	—	—	—	2605 504
		No. 3	B, L	—	—	1	—	—	—	—	2605 509
		No. 1	R, W	—	—	1	—	—	—	—	2573 406
		No. 2	R, W	—	—	1	—	—	—	—	2573 407
		No. 3	R, W	—	—	1	—	—	—	—	2784 300
		No. 1	P, D, C	—	—	1	—	—	—	—	2902 397
		No. 2	P, D, C	—	—	1	—	—	—	—	2902 553
		No. 3	P, D, C	—	—	1	—	—	—	—	2902 841
23-58-76	LINK, Rear Bow to Rear Side Rail	R, W	—	—	1	—	—	—	—	—	2251 128-9
23-58-78	PLATE, Outer Support to Control Link Adjustment	P, D, C	—	—	2	—	—	—	—	—	2902 312
	PLATE, Control Link Adjustment	P, D, C	—	—	2	—	—	—	—	—	2902 313
	PLATE, Control Link Support Attaching	P, D, C	—	—	2	—	—	—	—	—	2902 314
23-58-84	BRACKET, Bow	No. 2	B, L	—	—	1	—	—	—	—	2605 514
		No. 1	R, W	—	—	1	—	—	—	—	2784 557
		No. 2	P, D, C	—	—	1	—	—	—	—	2963 482-3
	BRACKET, Side Rail Bow	No. 1	R, W	—	—	1	—	—	—	—	2784 557
23-58-189	WIRING, Switch	B	—	—	1	—	—	—	—	—	2857 276
	w/Power Wdos.	R, W-P	—	—	1	—	—	—	—	—	2926 873
	w/o Rallye Inst. Panel and w/Power Wdos.	W-S	—	—	1	—	—	—	—	—	2926 873
	w/Rallye Inst. Panel and w/Power Wdos.	W-S	—	—	1	—	—	—	—	—	2926 872
23-58-200	CYLINDER w/YOKE, Top Lift Operating	All	—	—	2	—	—	—	—	—	2603 753
23-58-213	BUSHING, Cylinder and Yoke or Power Plate										
	Plastic	Flange Dia. 13/16"	All	—	—	4	—	—	—	—	2573 690
		Flange Dia. 1"	All	—	—	2	—	—	—	—	2528 237
	BUSHING, Folding Top Cam										
	Plastic	1" Dia.	P, D, C	—	—	2	—	—	—	—	6027 952
	WASHER, Folding Top Cam										
	Plastic	1" Dia.	P, D, C	—	—	2	—	—	—	—	6027 953
23-58-215	PLATE, Side Rails Cylinder Attaching										
			B, L	—	—	2	—	—	—	—	2605 684
			P, D, C	—	—	2	—	—	—	—	2573 470
			R, W	—	—	2	—	—	—	—	2605 530
23-58-220	HEADER, Complete										
			B, L	—	—	1	—	—	—	—	2605 327
			R, W	—	—	1	—	—	—	—	2963 681
			P, D, C	—	—	1	—	—	—	—	2520 610-1
23-58-227	MECHANISM, Header Locking	B, L, R, W	—	—	1	—	—	—	—	—	1758 839
23-58-228	DOWEL, Header	R, W	—	—	2	—	—	—	—	—	2842 624-5
23-58-230	BRACKET or CATCH, W/Shield Visor Arm Header Lock										
			B, L	—	—	1	—	—	—	—	2842 630-1
			R, W	—	—	1	—	—	—	—	2901 030-1
			P, D, C	—	—	1	—	—	—	—	2902 895
23-58-238	WEDGE, Folding Top Header Locating	P, D, C	—	—	2	—	—	—	—	—	2484 635
23-58-239	ANTI-RATTLER, W/Shield Header Dowel	B, L, R, W	—	—	2	—	—	—	—	—	

TYPE LETTERS Indicates	B - Barracuda	V - Valiant L - Dart	R - Belvedere W - Coronet	P - Plymouth D - Dodge	C - Chrysler Y - Imperial
NUMERALS INDICATE:	21 - 2 DR. SED. 23 - 2 DR. H.T.	27 - CONV. CPE. 29 - FAST BACK	41 - 4 DR. SED. 43 - 4 DR. H.T.	45 - 6 PASS. STA. WGN.	46 - 9 PASS. STA. WGN.

AR Indicates use as required.

Indicates parts not listed in any previous parts book

Numerals in parentheses () refer to notes.

★ Indicates change or addition.

Printed in U.S.A.

January 1971

Right and left part numbers are on same line, first number is right, second number is left.

CODE	PART NAME	MODEL CODES	SEE BOTTOM NOTE								PART NUMBER
			21	23	27	29	41	43	45	46	
23-58-0 FOLDING TOP Cont'd.											
23-58-262	LATCH, Header Lock Mechanism Handle	B,L,R,W	—	—	2	—	—	—	—	—	2251 117
		P,D,C	—	—	2	—	—	—	—	—	3454 102
	Complete	P, D, C	—	—	1	—	—	—	—	—	2935 444-5
	SCREW, Header Locking Mechanism Latch Handle	P,D,C	—	—	2	—	—	—	—	—	6027 954
23-58-266	SPRING, Header Locking Mechanism Latch	P, D, C	—	—	2	—	—	—	—	—	2945 404-5
23-58-333	LINKS w/PIN, Power	R, W	—	—	2	—	—	—	—	—	2484 888
23-58-357	MOTOR w/End PLATE	All	—	—	1	—	—	—	—	—	2573 838
23-58-381	ROTOR PACKAGE, Motor Pump	All	—	—	1	—	—	—	—	—	2573 840
23-58-388	BOLT PACKAGE, Reservoir	All	—	—	1	—	—	—	—	—	2573 839
23-58-395	PLUG, Reservoir Filler	All	—	—	1	—	—	—	—	—	1641 579
23-58-396	BRACKET, Motor Mtg.	All	—	—	1	—	—	—	—	—	2573 844
23-58-399	"O" RING, Pump Reservoir End Plate Seal	B, L, R, W	—	—	2	—	—	—	—	—	1605 298
	"O" RING, Pump Rotor	All	—	—	1	—	—	—	—	—	2480 451
	"O" RING, Reservoir	All	—	—	1	—	—	—	—	—	2573 837
	Packing (Seal) Pump Hose	All	—	—	2	—	—	—	—	—	1641577
	Canada	All	—	—	2	—	—	—	—	—	1641577
23-58-400	RESERVOIR, w/BRACKET and GROMMET, Pump	All	—	—	1	—	—	—	—	—	2573 847
23-58-430	PLATE, Pump Cover	All	—	—	1	—	—	—	—	—	2480 453
23-58-434	SUPPORT, Qtr. Inside Panel Pocket Panel	R	—	—	1	—	—	—	—	—	2841 498-9
		W	—	—	1	—	—	—	—	—	2838 246-7
23-58-436	SCREW, Pump Cover Plate	All	—	—	AR	—	—	—	—	—	2602 765
23-58-473	SUPPORT, Qtr. Inside Panel Folding Top Rear Side Rail	B	—	—	1	—	—	—	—	—	2839 354-5
		L	—	—	1	—	—	—	—	—	2784 618-9
		R, W	—	—	1	—	—	—	—	—	2841 360-1
		P	—	—	1	—	—	—	—	—	2902 756-7
		D	—	—	1	—	—	—	—	—	2902 758-9
		C	—	—	1	—	—	—	—	—	2902 760-1
23-58-487	BUSHING, Thrust Link to Rear Rail and Spacer	B, L, R, W	—	—	2	—	—	—	—	—	2784 070
23-58-532	SWITCH	B, L	—	—	1	—	—	—	—	—	2820 408
		R, W-P	—	—	1	—	—	—	—	—	2864 007
	w/Rallye Inst. Panel	W-S	—	—	1	—	—	—	—	—	2864 489
	w/o Rallye Inst. Panel	W-S	—	—	1	—	—	—	—	—	2864 007
		P,D,	—	—	1	—	—	—	—	—	2864 491
		C	—	—	1	—	—	—	—	—	2864 489
23-58-533	NUT, Switch Mtg.	B	—	—	1	—	—	—	—	—	6008 060
23-58-534	KNOB, Switch	W-S	—	—	1	—	—	—	—	—	2947 247
	w/Rallye Inst. Panel	C	—	—	1	—	—	—	—	—	2947263
23-58-543	BEZEL, Switch	L	—	—	1	—	—	—	—	—	2580 774
	DECAL, Switch	R	—	—	1	—	—	—	—	—	2947 213
	w/o Rallye Inst. Panel	W	—	—	1	—	—	—	—	—	2947 213
		P	—	—	1	—	—	—	—	—	2947 185
		L	—	—	1	—	—	—	—	—	2820 200
23-58-546	SPACER, Switch	W	—	—	1	—	—	—	—	—	2947 246
23-58-548	PLATE, Top Lift Switch Mtg.	C	—	—	1	—	—	—	—	—	2947 246
	w/Rallye Inst. Panel	B	—	—	1	—	—	—	—	—	2661 298
23-58-552	NAME PLATE, Switch	L	—	—	1	—	—	—	—	—	2771 704
	TITLE PLATE, Instrument Cluster Switch	L	—	—	1	—	—	—	—	—	2422 143
23-58-555	HOSE	B, L, R, W	—	—	1	—	—	—	—	—	2573 658
	Upr.	B, L, R, W	—	—	1	—	—	—	—	—	2573 657
	Lwr.	B, L, R, W	—	—	1	—	—	—	—	—	2573 657
	Upr.	P, D, C	—	—	1	—	—	—	—	—	2573 658
	Lwr.	P, D, C	—	—	1	—	—	—	—	—	2573 658

TYPE LETTERS Indicates	B - Barracuda	V - Valiant L - Dart	R - Belvedere W - Coronet	P - Plymouth D - Dodge	C - Chrysler Y - Imperial
NUMERALS INDICATE:	21 - 2 DR. SED. 23 - 2 DR. H.T.	27 - CONV. CPE. 29 - FAST BACK	41 - 4 DR. SED. 43 - 4 DR. H.T.	45 - 6 PASS. STA. WGN.	46 - 9 PASS. STA. WGN.

AR Indicates use as required. Numerals in parentheses () refer to notes. Printed in U.S.A.
 # Indicates parts not listed in any previous parts book. ★ Indicates change or addition. January 1971
 Right and left part numbers are on same line, first number is right, second number is left.

1969 PASSENGER CAR PARTS CATALOG

BODY

CODE	PART NAME	MODEL CODES	SEE BOTTOM NOTE							PART NUMBER	
			21	23	27	29	41	43	45		46
23-58-0 FOLDING TOP Cont'd.											
23-58-557	CLIP, Top Lift Motor Pump and Cylinder Hose to Support	All	—	—	2	—	—	—	—	—	2842 848
23-58-569	WEATHERSTRIP, Header	R, W	—	—	1	—	—	—	—	—	2573 632
		P, D, C	—	—	1	—	—	—	—	—	2901 239
	Frnt.	P, D, C	—	—	1	—	—	—	—	—	2901 268
	Frnt.	B, L, R, W	—	—	1	—	—	—	—	—	2841 069
	Rr.	B, L	—	—	1	—	—	—	—	—	2604 979
23-58-570	RETAINER, Header W/Strip	B, L	—	—	1	—	—	—	—	—	2605 702
	Center	R, W	—	—	1	—	—	—	—	—	2573 882
		P, D, C	—	—	1	—	—	—	—	—	2901 260
23-58-571	SEAL, Center Side Rail	All	—	—	2	—	—	—	—	—	2784 693
23-58-572	WEATHERSTRIP, Side Rail										
	Frnt.	B, L, R, W	—	—	1	—	—	—	—	—	2528 286-7
	Rr.	B, L	—	—	2	—	—	—	—	—	2842 585
	Rr.	R, W	—	—	2	—	—	—	—	—	2841 050
	Center	B, L, R, W	—	—	1	—	—	—	—	—	2573 536-7
	Frnt.	P, D, C	—	—	1	—	—	—	—	—	2901 262-3
	Rr.	P, D, C	—	—	2	—	—	—	—	—	2901 266
	Center	P, D, C	—	—	1	—	—	—	—	—	2901 264-5
23-58-573	RETAINER, Side Rail Weatherstrip										
	Frnt.	B, L	—	—	1	—	—	—	—	—	2605 706-7
	Rr.	B, L	—	—	1	—	—	—	—	—	2605 710-1
	Center	B, L	—	—	1	—	—	—	—	—	2605 708-9
	Frnt.	R, W	—	—	1	—	—	—	—	—	2573 528-9
	Rr.	R, W	—	—	2	—	—	—	—	—	2840 210
	Center	R, W	—	—	1	—	—	—	—	—	2573 530-1
	Frnt.	P, D, C	—	—	1	—	—	—	—	—	2964 448-9
	Rr.	P, D, C	—	—	1	—	—	—	—	—	2964 452-3
	Center	P, D, C	—	—	1	—	—	—	—	—	2964 450-1
23-58-603	CAM, Rear Rail Adjusting Attaching Thrust Link	B, L, R, W	—	—	2	—	—	—	—	—	2784 071
	SET SCREW, Side Rail	P, D, C	—	—	2	—	—	—	—	—	2902 473
	Frnt.	R, W	—	—	2	—	—	—	—	—	1964 260
	Center	R, W	—	—	2	—	—	—	—	—	1964 260
	SNAP RING, Thrust Link to Rear Rail Adjusting	P, D, C	—	—	2	—	—	—	—	—	6025 875
23-58-605	SPACER, Rear Rail to Strainer Steel, Flange Type	B, L, R, W	—	—	2	—	—	—	—	—	2784 069
	SPACER, Power Guide Link to Power Link Fiber 1/16" thk.	R, W	—	—	2	—	—	—	—	—	1706 470
	SPACER, No. 1 Bow Bracket to Control Link Fiber 1/8" thk.	R, W	—	—	2	—	—	—	—	—	1952 983
	WASHER, to Secondary Rocker Link 1/16" x 7/8" O.D.	R, W	—	—	2	—	—	—	—	—	2528 192
	WASHER, Side Rail to Secondary Rocker Link 1/16" x 7/8" O.D.	B, L, R, W	—	—	2	—	—	—	—	—	2528 192
23-58-606	FLAT WASHER, Nylon, 1" O.D. x 1/2" I.D.	All	—	—	AR	—	—	—	—	—	2528 238
	SPRING WASHER, Steel, 1 1/32" O.D. x 1/2" I.D.	All	—	—	AR	—	—	—	—	—	6022 989
23-58-607	CLEVIS PIN, 1/2" x 7/8"										
	No. 1 Bow Link to Side Front Rail	R, W	—	—	2	—	—	—	—	—	2251 600
	No. 1 Bow to Front Side Rail	R, W	—	—	2	—	—	—	—	—	2251 600
	Rear Bow Link to Rear Side Rail	R, W	—	—	2	—	—	—	—	—	2251 600
	Main Control Prop to Center Side Rail	R, W	—	—	2	—	—	—	—	—	2251 600
	PIN, Side Rail Power Plate	R, W	—	—	2	—	—	—	—	—	2528 236

TYPE LETTERS INDICATES:	B - Barracuda	V - Valiant L - Dart	R - Belvedere W - Coronet	P - Plymouth D - Dodge	C - Chrysler Y - Imperial
NUMERALS INDICATE:	21 - 2 DR. SED. 23 - 2 DR. H.T.	27 - CONV. CPE. 29 - FAST BACK	41 - 4 DR. SED. 43 - 4 DR. H.T.	45 - 6 PASS. STA. WGN.	46 - 9 PASS. STA. WGN.

AR Indicates use as required.

Indicates parts not listed in any previous parts book

Numerals in parentheses () refer to notes.

★ Indicates change or addition.

Printed in U.S.A.

January 1971

Right and left part numbers are on same line, first number is right, second number is left.

CODE	PART NAME	MODEL CODES	SEE BOTTOM NOTE						PART NUMBER	
			21	23	27	29	41	43		45
23-58-0 FOLDING TOP Cont'd.										
23-58-607	CLEVIS PIN Cont'd.									
	PIN, Power Link to Cylinder	P, D, C	—	—	2	—	—	—	—	2528 236
	PIN, Self Locking, Cylinder Rod Attaching	B, L, P, D, C	—	—	2	—	—	—	—	2528 239
	PIN, Self Locking, Side Rail Power Plate	R, W	—	—	2	—	—	—	—	2528 239
	PIN, Self Locking, Power Link to Cylinder	P, D, C	—	—	2	—	—	—	—	2528 239
	PIN, Cylinder Rod Attaching	B, L	—	—	2	—	—	—	—	2605 756
		P, D, C	—	—	2	—	—	—	—	2528 236
	PIN, Clevis, No. 1 Bow Bracket to Center Side Rail	R, W	—	—	2	—	—	—	—	1950 897
	PIN, Clevis, Front and Center Side Rail 3/8" x 1 5/8"	R, W	—	—	2	—	—	—	—	6000 319
23-59-0 DRAIN TROUGH										
23-59-35	TROUGH, Qtr. Deck Drain	B	—	1	1	—	—	—	—	2783 466-7
		W	—	—	—	1	—	—	—	2838 010-1
	Side	R	1	1	—	—	1	—	—	2841 300-1
	Side	W	1	1	—	—	1	—	—	2841 302-3
	Side	R	—	—	1	—	—	—	—	2838 510-1
	Side	W	—	—	1	—	—	—	—	2839 612-3
	Side and Upr. Corner	P	1	1	1	1	1	—	—	2900 788-9
	Side and Upr. Corner	D	—	1	1	—	1	1	—	2900 788-9
	Side and Upr. Corner	C, Y	—	1	1	—	1	1	—	2900 086-7
	Lwr.	W	1	1	1	—	1	—	—	2901 560-1
	Lwr. Corner	V	1	—	—	—	1	—	—	2604 296-7
	Lwr. Corner	L	1	1	1	—	1	—	—	2604 302-3
	Lwr. Corner	B	—	1	1	1	—	—	—	2604 308-9
	Lwr. Corner	R	1	1	1	—	1	—	—	2901 316-7
	Lwr. Corner	P	1	1	1	1	1	—	—	2900 786-7
	Lwr. Corner	D	—	1	1	—	1	1	—	2900 792-3
	Lwr. Corner	C, Y	—	1	1	—	1	1	—	2900 088-9
	Upr. Corner	V	1	—	—	—	1	—	—	2604 294-5
	Upr. Corner	L	1	1	1	—	1	—	—	2604 300-1
	Upr. Corner	B	—	—	—	1	—	—	—	2604 306-7
	Center	V, L	1	1	1	—	1	—	—	2604 298-9
23-59-37	SUPPORT, Qtr. Deck Drain Trough to W/House	B	—	—	1	—	—	—	—	2783 936-7
		L	—	—	1	—	—	—	—	2839 350-1
		R, W	—	—	1	—	—	—	—	2838 204-5
		P	1	1	1	1	1	—	—	2900 762-3
		D	—	1	1	—	1	1	—	2901 558-9
		C, Y	—	1	1	—	1	1	—	2900 764-5
		W	—	—	—	2	—	—	—	2840 364
	REINFORCEMENT, Qtr. Deck Drain Trough									
	REINFORCEMENT, Deck Opening Upper Panel Drain Trough	W-500	—	—	—	1	—	—	—	3412 171
23-59-41	BRACE, Qtr. Deck Drain Trough to Support	W	—	—	—	1	—	—	—	2842 710-1
23-59-56	TROUGH, Roof Side Drain	V	1	—	—	—	—	—	—	2604 046-7
		V, L	—	—	—	—	1	—	—	2603 688-9
		L	—	1	—	—	—	—	—	2604 048-9
		B	—	1	—	—	—	—	—	2783 540-1
		B	—	—	—	1	—	—	—	2604 052-3
		R	1	1	—	—	—	—	—	2842 752-3
		W	1	1	—	—	—	—	—	2842 750-1
		W	—	—	—	1	—	—	—	2842 752-3
		R, W	—	—	—	—	1	—	—	2838 606-7

TYPE LETTERS Indicates	B - Barracuda	V - Valiant L - Dart	R - Belvedere W - Coronet	P - Plymouth D - Dodge	C - Chrysler Y - Imperial
NUMERALS INDICATE:	21 - 2 DR. SED. 23 - 2 DR. H.T.	27 - CONV. CPE. 29 - FAST BACK	41 - 4 DR. SED. 43 - 4 DR. H.T.	45 - 6 PASS. STA. WGN. 46 - 9 PASS. STA. WGN.	

AR Indicates use as required. Numerals in parentheses () refer to notes. Printed in U.S.A. January 1971
 # Indicates parts not listed in any previous parts book. * Indicates change or addition.
 Right and left part numbers are on same line, first number is right, second number is left.

CODE	PART NAME	MODEL CODES	SEE BOTTOM NOTE								PART NUMBER	
			21	23	27	29	41	43	45	46		
23-59-0 DRAIN TROUGH Cont'd.												
23-59-56 TROUGH Cont'd.												
FRONT												
		R, W	—	—	—	—	—	—	1	1	2529 840-1	
		P, D	1	—	—	1	—	—	1	—	2900 282-3	
		P, D, C, Y	—	1	—	—	—	—	—	—	2900 284-5	
		P, D	—	—	—	—	1	—	—	—	2900 280-1	
		C, Y	—	—	—	—	1	—	—	—	2900 286-7	
		C, Y	—	—	—	—	—	1	—	—	2900 124-5	
		P, D, C	—	—	—	—	—	—	1	1	2893 292-3	
REAR												
		R, W	—	—	—	—	—	—	1	1	2860 628-9	
		P	1	—	—	1	—	—	—	—	2900 290-1	
		P, D	—	1	—	—	—	—	—	—	2900 292-3	
		P, D	—	—	—	—	1	—	—	—	2900 288-9	
		P, D	—	—	—	—	—	1	—	—	2900 290-1	
		C, Y	—	1	—	—	—	—	—	—	2901 428-9	
		C, Y	—	—	—	—	1	—	—	—	2900 294-5	
		C, Y	—	—	—	—	—	1	—	—	2900 296-7	
		P, D, C	—	—	—	—	—	—	1	1	2894 122-3	
INTERMEDIATE												
23-59-57	COVER, Roof Side Drain Trough	R, W	—	—	—	—	—	—	1	1	2602 182-3	
		Frnt	R, W	—	—	—	—	—	2	2	2605 208	
		Rr.	R, W	—	—	—	—	—	2	—	2571 768	
		Interm.	R, W	—	—	—	—	—	2	—	2571 768	
	COVER, Front Pillar to Roof Side Drain Trough	V, L	2	2	—	—	2	—	—	—	2588 330	
		R, W	—	—	—	—	2	—	2	—	2588 330	
	CAP or COVER, Roof Side Drain Trough Moulding (1)											
23-59-61	MOULDING, Roof Side Drain Trough (1)											
23-61-0 COWL VENT OR AIR INTAKE												
23-61-42	SEAL, Cowl Top to Hood Panel Fasteners	P, D, C, Y	1	1	1	1	1	1	1	1	2895 329	
23-61-117	SCREEN, Cowl Top Windshield Wiper Opening	P, D, C, Y	1	1	1	1	1	1	1	1	3439 028	
	SCREW, Cowl Top Windshield Wiper Opening Screen to Cowl Top Panel	P, D, C, Y	5	5	5	5	5	5	5	5	6028 307	
23-61-120	HOUSING, Complete, Ventilation w/o Heater	Rt.	R, W	1	1	1	1	1	—	1	1	2607 002
	w/ or w/o Heater	Lt.	R, W	1	1	1	1	1	—	1	1	2607 003
	NOTE (1) See Exterior Moulding Illustrations in Illustration Catalog.											
23-61-121	GRILLE, Ventilation Housing	Lt.	R, W	1	1	1	1	1	—	1	1	2607 006
23-61-122	HOUSING, Vent Mtg. Frame Mtg. w/o Heater	Rt.	R, W	1	1	1	1	1	—	1	1	2607 270
23-61-124	HOOK, Vent Hsg. Mtg. Frame Mtg. w/o Heater	Rt.	R, W	2	2	2	2	2	—	2	2	2607 004

TYPE LETTERS Indicates

B - Barracuda

V - Valiant
L - DartR - Belvedere
W - CoronetP - Plymouth
D - DodgeC - Chrysler
Y - Imperial

NUMERALS INDICATE:

21 - 2 DR. SED.

27 - CONV. CPE.

41 - 4 DR. SED.

45 - 6 PASS. STA. WGN.

23 - 2 DR. H.T.

29 - FAST BACK

43 - 4 DR. H.T.

46 - 9 PASS. STA. WGN.

AR Indicates use as required.

Indicates parts not listed in any previous parts book

Numerals in parentheses () refer to notes.

★ Indicates change or addition.

Printed in U.S.A.

January 1971

Right and left part numbers are on same line, first number is right, second number is left.

CODE	PART NAME	MODEL CODES	SEE BOTTOM NOTE							PART NUMBER
			21	23	27	29	41	43	45	

23-63-0 WEATHERSTRIP

23-63-14 WEATHERSTRIP, Wdo. Belt

FRONT DOOR INNER

	V	2	—	—	—	—	—	—	—	2663 460
	V, L	—	—	—	—	2	—	—	—	2663 466
	B, L	—	1	—	1	—	—	—	—	2663 462-3
Rt.	B, L	—	—	1	—	—	—	—	—	2811 082
Lt.	B, L	—	—	1	—	—	—	—	—	2860 207
	R, W	1	—	—	—	—	—	—	—	2860 530-1
	R, W	—	1	—	—	—	—	—	—	2860 522-3
	R, W	—	—	1	—	—	—	—	—	3439 152-3
	R, W	—	—	—	—	2	—	2	2	2570 238
	W	—	—	—	1	—	—	—	—	2876 268-9
	P, D	—	1	1	1	—	—	—	—	2878 422-3
	C, Y	—	1	1	—	—	—	—	—	2878 424-5
	P	1	—	—	—	—	—	—	—	2878 530-1
	P	—	—	—	—	2	—	2	2	2878 528
	D-L	—	—	—	—	2	—	2	2	2878 528
	D-H	—	—	—	—	1	—	1	1	2878 420-1
	C, Y	—	—	—	—	1	—	1	1	2878 420-1
	P, D, C, Y	—	—	—	—	—	1	—	—	2878 418-9
Canada	D-M, D-H	—	—	—	—	2	—	2	2	2878528

REAR DOOR INNER

	V, L	—	—	—	—	2	—	—	—	2663 466
	R, W	—	—	—	—	1	—	—	—	2811 452-3
	R, W	—	—	—	—	—	—	1	1	2861 706-7
	P	—	—	—	—	2	—	2	2	2878 528
	D-L	—	—	—	—	2	—	2	2	2878 528
	D-H	—	—	—	—	2	—	2	2	2878 426
	C	—	—	—	—	—	—	2	2	2878 426
	C, Y	—	—	—	—	2	—	—	—	2878 430
	P, D	—	—	—	—	—	1	—	—	2878 428-9
	C, Y	—	—	—	—	—	2	—	—	2878 432
Canada	D-M, D-H	—	—	—	—	2	—	2	2	2878528

23-63-15

WEATHERSTRIP, Wdo. Belt

FRONT DOOR OUTER

	V, L	1	—	—	—	—	—	—	—	2860 022-3
	V, L	—	—	—	—	1	—	—	—	2860 024-5
	B, L	—	1	1	—	—	—	—	—	2860 028-9
	B	—	—	—	1	—	—	—	—	2860 026-7
	R, W	1	—	—	—	—	—	—	—	2860 532-3
	R, W	—	1	—	1	—	—	—	—	2860 524-5
	R, W	—	—	1	—	—	—	—	—	2860 046-7
	R, W	—	—	—	—	1	—	1	1	2860 040-1
	P, D	—	1	—	1	—	—	—	—	2894 654-5
w/o Vent Wdo.	C, Y	—	1	—	—	—	—	—	—	2895 090-1
w/o Vent Wdo.	P, D	—	1	—	1	—	—	—	—	2893 454-5
w/Vent Wdo.	C, Y	—	1	—	—	—	—	—	—	2893 456-7
w/Vent Wdo.	P, D	1	—	1	—	—	—	—	—	2893 454-5
	C	—	—	1	—	—	—	—	—	2893 456-7
	P, D, C, Y	—	—	—	—	—	1	—	—	2893 458-9
	P, D, C, Y	—	—	—	—	1	—	1	1	2893 460-1

TYPE LETTERS Indicates

B - Barracuda

V - Valiant
L - Dart

R - Belvedere
W - Coronet

P - Plymouth
D - Dodge

C - Chrysler
Y - Imperial

NUMERALS INDICATE:

21 - 2 DR. SED.
23 - 2 DR. H.T.

27 - CONV. CPE.
29 - FAST BACK

41 - 4 DR. SED.
43 - 4 DR. H.T.

45 - 6 PASS. STA. WGN.
46 - 9 PASS. STA. WGN.

AR Indicates use as required.

Indicates parts not listed in any previous parts book

Numerals in parentheses () refer to notes.

★ Indicates change or addition.

Printed in U.S.A.

January 1971

Right and left part numbers are on same line, first number is right, second number is left.

CODE	PART NAME	MODEL CODES	SEE BOTTOM NOTE								PART NUMBER
			21	23	27	29	41	43	45	46	

23-63-0 WEATHERSTRIP Cont'd.

23-63-15 WEATHERSTRIP Cont'd.

REAR DOOR OUTER

V, L	—	—	—	—	1	—	—	—	2860 024-5
R, W	—	—	—	—	1	—	—	—	2811 454-5
R, W	—	—	—	—	—	—	1	1	2861 708-9
P, D	—	—	—	—	1	—	—	—	2893 796-7
C, Y	—	—	—	—	1	—	—	—	2893 798-9
P, D, C	—	—	—	—	—	—	1	1	2893 796-7
P, D	—	—	—	—	—	1	—	—	2893 792-3
C, Y	—	—	—	—	—	1	—	—	2893 794-5

23-63-16 CLIP, Wdo. Belt W/Strip

Frt. Door Inner	V, B, L, R, W	14	14	14	14	10	—	10	10	2217 508
Frt. Door Outer	V, B, L, R, W	14	14	14	14	10	—	10	10	2217 508
Frt. Door Outer	P, D, C, Y	AR	AR	AR	AR	AR	AR	AR	AR	2861 594
Rr. Door Inner	V, L, R, W	—	—	—	10	—	10	10	—	2217 508
Rr. Door Outer	V, L, R, W	—	—	—	—	10	—	10	10	2217 508
Rr. Door Outer	P, D, C, Y	—	—	—	—	AR	AR	AR	AR	2861 594
Qtr. Inner	V, B	14	12	8	14	—	—	—	—	2217 508
Qtr. Inner	L	14	16	—	—	—	—	—	—	2217 508
Qtr. Inner	R, W	—	—	10	—	—	—	—	—	2217 508
Qtr. Outer	R	—	14	10	—	—	—	—	—	2839 442
Qtr. Outer	W	—	—	—	16	—	—	—	—	2839 442
Qtr. Outer	W-P	—	2	—	—	—	—	—	—	2839 442
Qtr. Outer	W-M	—	12	—	—	—	—	—	—	2217 508
Qtr. Outer	W-H, W-S	—	12	—	—	—	—	—	—	2217 508
Qtr. Outer	V, B, L	14	AR	8	—	—	—	—	—	2217 508
Qtr. Outer	P, D, C, Y	—	AR	AR	—	—	—	—	—	2217 508
Qtr. Outer	P	10	—	—	10	—	—	—	—	2480 904
Qtr. Outer At Curved End of W/Strip	B, L, W-M, W-H, W-S, P, D, C, Y, P, D	—	2	—	—	—	—	—	—	2839 442
CLIP, Door Upper Trim Panel Belt Inner W/Strip Att.	W	—	—	—	14	—	—	—	—	2217 508
CLIP, Frt. Door Glass Run Rear Inner w/o Vent Wdo.	P, D, C, Y	—	8	—	8	—	—	—	—	2839 442
CLIP, Frt. Door Glass Run Rear Outer w/o Vent Wdo.	P, D, C, Y	—	10	—	10	—	—	—	—	2839 442
FASTENER, Door W/Strip to Inside Panel Frt. Door	All	AR	AR	AR	AR	AR	AR	AR	AR	2664 040
Rr. Door	All	—	—	—	—	AR	AR	AR	AR	2664 040

23-63-20 WEATHERSTRIP, Wdo. Belt

QUARTER INNER

V	2	—	—	—	—	—	—	—	2782 704
L	—	1	—	—	—	—	—	—	2782 090-1
L	—	—	2	—	—	—	—	—	2604 954
B	—	1	—	—	—	—	—	—	2783 474-5
B	—	—	1	—	—	—	—	—	2784 008-9
B	—	—	—	1	—	—	—	—	2784 736-7
R	—	1	—	—	—	—	—	—	2838 516-7
R	—	—	1	—	—	—	—	—	2841 632-3

TYPE LETTERS Indicates

B - Barracuda

V - Valiant
L - Dart

R - Belvedere
W - Coronet

P - Plymouth
D - Dodge

C - Chrysler
Y - Imperial

NUMERALS INDICATE:

21 - 2 DR. SED.
23 - 2 DR. H.T.

27 - CONV. CPE.
29 - FAST BACK

41 - 4 DR. SED.
43 - 4 DR. H.T.

45 - 6 PASS. STA. WGN.
46 - 9 PASS. STA. WGN.

AR Indicates use as required.

Indicates parts not listed in any previous parts book

Numerals in parentheses () refer to notes.

★ Indicates change or addition.

Printed in U.S.A.

January 1971

Right and left part numbers are on same line, first number is right, second number is left.

CODE	PART NAME	MODEL CODES	SEE BOTTOM NOTE							PART NUMBER	
			21	23	27	29	41	43	45		46
23-63-0	WEATHERSTRIP Cont'd.										
23-63-20	WEATHERSTRIP Cont'd.	W	—	1	—	—	—	—	—	—	2840 346-7
		W	—	—	1	—	—	—	—	—	2841 634-5
		W	—	—	—	1	—	—	—	—	2876 270-1
		P	2	—	—	—	—	—	—	—	2878 528
		P	—	—	—	1	—	—	—	—	2877 306-7
		P, D	—	1	—	—	—	—	—	—	2878 436-7
		C, Y	—	1	—	—	—	—	—	—	2878 438-9
		P, D	—	—	1	—	—	—	—	—	2878 532-3
		C	—	—	1	—	—	—	—	—	2878 534-5

23-63-21 WEATHERSTRIP, Wdo. Belt

QUARTER OUTER

V	2	—	—	—	—	—	—	—	—	2839 566
L	—	1	—	—	—	—	—	—	—	2839 568-9
B	—	1	—	—	—	—	—	—	—	2783 476-7
B, L	—	—	1	—	—	—	—	—	—	2839 950-1
B	—	—	—	1	—	—	—	—	—	2839 570-1
R	—	1	—	—	—	—	—	—	—	2838 514-5
R	—	—	1	—	—	—	—	—	—	2841 624-5
W	—	1	—	—	—	—	—	—	—	2841 746-7
W	—	—	1	—	—	—	—	—	—	2841 626-7
W	—	—	—	1	—	—	—	—	—	2838 086-7
P	2	—	—	—	—	—	—	—	—	2901 626
P	—	—	—	1	—	—	—	—	—	2965 104-5
P, D	—	1	—	—	—	—	—	—	—	2900 796-7
P, D	—	—	1	—	—	—	—	—	—	2900 796-7
C, Y	—	1	—	—	—	—	—	—	—	2901 628-9
C	—	—	1	—	—	—	—	—	—	2963 496-7

23-63-33 WEATHERSTRIP

ON FRONT DOOR

	V	1	—	—	—	—	—	—	—	2860 002-3
	V, L	—	—	—	—	1	—	—	—	2860 004-5
	B, L	—	1	1	1	—	—	—	—	2663 456-7
	R, W	1	1	1	1	—	—	—	—	2860 400-1
	R, W	—	—	—	—	1	—	1	1	2860 492-3
w/Vent Wdo.	P, D, C, Y	—	1	—	1	—	—	—	—	2893 468-9
w/o Vent Wdo.	P, D, C, Y	—	1	—	1	—	—	—	—	2895 248-9
	P, D, C	1	—	1	—	—	—	—	—	2893 468-9
	P, D, C, Y	—	—	—	—	—	1	—	—	2893 470-1
	P, D, C, Y	—	—	—	—	1	—	1	1	2893 464-5

FRONT DOOR ON FRONT EDGE OF GLASS

WEATHERSTRIP PACKAGE	V, B, L										
	R, W	2	2	2	2	2	—	2	2		2932 230
WEATHERSTRIP	P, D, C, Y	1	—	—	—	—	1	—	—		2894 922-3
	P, D, C, Y	—	—	—	—	1	—	1	1		2894 928-9
	P	—	—	—	1	—	—	—	—		2894 922-3
w/Vent Wdo.	P, D, C, Y	—	1	—	—	—	—	—	—		2894 924-5
	P, D, C	—	—	1	—	—	—	—	—		2894 926-7

FRONT DOOR GLASS REAR FRAME

	B	—	—	—	1	—	—	—	—	2811 622-3
	R, W	—	1	—	1	—	—	—	—	2811 622-3

TYPE LETTERS Indicates	B - Barracuda	V - Valiant L - Dart	R - Belvedere W - Coronet	P - Plymouth D - Dodge	C - Chrysler Y - Imperial
NUMERALS INDICATE:	21 - 2 DR. SED. 23 - 2 DR. H.T.	27 - CONV. CPE. 29 - FAST BACK	41 - 4 DR. SED. 43 - 4 DR. H.T.	45 - 6 PASS. STA. WGN. 46 - 9 PASS. STA. WGN.	

AR Indicates use as required.

Indicates parts not listed in any previous parts book

Numerals in parentheses () refer to notes.

★ Indicates change or addition.

Printed in U.S.A.

January 1971

Right and left part numbers are on same line, first number is right, second number is left.

CODE	PART NAME	MODEL CODES	SEE BOTTOM NOTE							PART NUMBER
			21	23	27	29	41	43	45	

23-63-0 WEATHERSTRIP Cont'd.

23-63-33 WEATHERSTRIP Cont'd.

ON REAR DOOR

V, L	—	—	—	—	1	—	—	—	2860 006-7
R, W	—	—	—	—	1	—	—	—	2811 448-9
R, W	—	—	—	—	—	1	1	—	2811 450-1
P, D	—	—	—	—	1	—	—	—	2893 806-7
C, Y	—	—	—	—	1	—	—	—	2893 802-3
P, D	—	—	—	—	—	1	—	—	2893 810-1
C, Y	—	—	—	—	—	1	—	—	2893 812-3
P, D, C	—	—	—	—	—	—	1	1	2893 808-9

ON BODY FRONT PILLAR

Upr. End	B, L	—	—	1	—	—	—	—	2783 298-9
Upr.	R, W	—	—	1	—	—	—	—	2573 642-3
Upr.	P, D, C	—	—	1	—	—	—	—	2901 040-1

ON ROOF SIDE RAIL

	L	—	1	—	—	—	—	—	2604 106-7
	B	—	1	—	—	—	—	—	2783 544-5
	B	—	—	1	—	—	—	—	2604 674-5
	R, W	1	—	—	—	—	—	—	2841 440-1
	R, W	—	1	—	1	—	—	—	2838 642-3
	P	1	—	—	—	—	—	—	2900 986-7
w/o Vent Wdo.	P	—	—	1	—	—	—	—	3444 230-1
w/Vent Wdo.	P	—	—	1	—	—	—	—	3444 228-9
	P, D	—	—	—	—	1	—	—	2900 814-5
	C, Y	—	—	—	—	1	—	—	2900 820-1
w/o Vent Wdo.	P, D, C, Y	—	1	—	—	—	—	—	2902 950-1
w/Vent Wdo.	P, D, C, Y	—	1	—	—	—	—	—	2900 816-7
SEAL, Frt. Door Inside Panel at Belt Lock Side	P, D, C, Y	1	1	1	1	—	—	—	2894 356-7

SEAL, DOOR, DOOR OPENING AND QTR. PANEL**ON FRONT DOOR**

Lock Pillar at Belt	B, L	—	1	1	—	—	—	—	2663 470-1
	B	—	—	1	—	—	—	—	2811 152-3
	R, W	1	—	—	—	—	—	—	2861 472-3
	R, W	—	—	1	—	—	—	—	2860 842-3
	R, W	—	1	—	1	—	—	—	2861 474-5
	P, D, C, Y	—	—	—	—	1	—	—	2893 444-5

ON QUARTER PANEL

Lock Pillar at Belt	B, L	—	1	1	1	—	—	—	2784 516-7
	R, W	—	—	1	—	—	—	—	2841 880-1
	R, W	—	1	—	1	—	—	—	2838 464-5
	P, D, C, Y	—	1	1	1	—	—	—	2900 724-5

ON REAR DOOR

Hinge Pillar at Belt	P, D, C, Y	—	—	—	—	1	—	—	2893 754-5
Lock Pillar at Belt	P, D	—	—	—	—	1	—	—	2893 742-3
	C, Y	—	—	—	—	1	—	—	2893 746-7

TYPE LETTERS Indicates	B - Barracuda	V - Valiant L - Dart	R - Belvedere W - Coronet	P - Plymouth D - Dodge	C - Chrysler Y - Imperial
NUMERALS INDICATE:	21 - 2 DR. SED. 23 - 2 DR. H.T.	27 - CONV. CPE. 29 - FAST BACK	41 - 4 DR. SED. 43 - 4 DR. H.T.	45 - 6 PASS. STA. WGN. 46 - 9 PASS. STA. WGN.	

AR Indicates use as required.

Numerals in parentheses () refer to notes.

Printed in U.S.A.

Indicates parts not listed in any previous parts book

★ Indicates change or addition.

January 1971

Right and left part numbers are on same line, first number is right, second number is left.

CODE	PART NAME	MODEL CODES	SEE BOTTOM NOTE								PART NUMBER
			21	23	27	29	41	43	45	46	
23-63-0 WEATHERSTRIP Cont'd.											
23-63-37	SEAL, T/Gate Pillar at Belt	R, W P, D, C	—	—	—	—	—	—	1	1	2860 844-5 2894 538-9
	SEAL, Roof Side Rail W/Strip Retainers to Drain Trough	R, W, C, Y P, D	—	2	—	2	—	2	—	—	2839 139 2839 139
	SEAL, Quarter T/Gate Glass Run Retainer to Quarter Pillar	P, D, C	—	—	—	—	—	—	2	2	2895 264
	SEAL, T/Gate and Door Upper Hinge Body Half	P, D, C	—	—	—	—	—	—	1	1	2999 798
	SEAL, w/Reinforcement, T/Gate and Door Upper Hinge Body Half	P, D, C	—	—	—	—	—	—	1	1	3440 672
23-63-42	RETAINER - See Part Type Code 23-63-55										
23-63-55	RETAINER, Front Pillar W/Strip	P, D, C, Y	1	—	—	—	—	—	1	—	2894 536-7
	w/Vent Wdo.	P, D, C, Y	—	1	—	—	—	—	—	—	2893 126-7
	w/o Vent Wdo.	P, D, C, Y	—	1	—	—	—	—	—	—	2893 120-1
	w/Vent Wdo.	P	—	—	—	1	—	—	—	—	2894 536-7
	w/O Vent Wdo.	P	—	—	—	1	—	—	—	—	2895 476-7
	RETAINER, Front Pillar Upper W/Strip	B, L	—	1	—	1	—	—	—	—	2811 044-5
		R, W	—	—	1	—	—	—	—	—	2664 316-7
	RETAINER, Body Front Upper Pillar W/Strip	B, L	—	—	1	—	—	—	—	—	2784 526-7
		P, D, C	—	—	1	—	—	—	—	—	2901 036-7
	RETAINER, Front Pillar and Side Rail W/Strip	R, W	1	—	—	—	—	—	—	—	2895 272-3
		R	—	1	—	—	—	—	—	—	2895 270-1
		W	—	1	—	—	—	—	—	—	2895 268-9
		W	—	—	—	1	—	—	—	—	2895 270-1
	RETAINER, Roof Side Rail W/Strip	B	—	1	—	—	—	—	—	—	2783 532-3
		B	—	—	—	1	—	—	—	—	2604 650-1
		L	—	1	—	—	—	—	—	—	2604 070-1
		P, D	—	1	—	—	—	—	—	—	2902 808-9
		C, Y	—	1	—	—	—	—	—	—	2902 810-1
		P	—	—	—	1	—	—	—	—	3444 172-3
		P, D	—	—	—	—	—	1	—	—	2902 730-1
		C, Y	—	—	—	—	—	1	—	—	2902 852-3
		P	—	—	—	—	—	—	—	—	2902 588-9
	RETAINER, Body Lock Pillar W/Strip	R, W	1	—	—	—	—	—	—	—	2842 800-1
		P	1	—	—	—	—	—	—	—	2902 596-7
	RETAINER, Qtr. Panel Roof Rail Qtr. Wdo. Glass W/Strip	P, D, C	—	—	—	—	—	—	1	1	2894 086-7
23-63-94	WEATHERSTRIP, Rear Door Wdo. Frt. Frame	P, D, C, Y	—	—	—	—	—	—	1	—	2893 800-1
23-63-97	WEATHERSTRIP, Rear Door Rear Stationary Glass	V, L R, W R, W	—	—	—	—	—	2	—	—	2664 408 2811 456 2811 458
23-63-100	WEATHERSTRIP PACKAGE, Qtr. Wdo. Glass Frt.	R, W	2	—	—	—	—	—	—	—	2932 230
	WEATHERSTRIP, Qtr. Wdo.	R	1	—	—	—	—	—	—	—	2840 672-3
		W	1	—	—	—	—	—	—	—	2840 670-1
	WEATHERSTRIP, Qtr. Wdo. Glass	R, W	—	—	—	—	—	—	1	1	2811 772-3
		P, D, C	—	—	—	—	—	—	1	1	2893 260-1
		P	1	—	—	—	—	—	—	—	2901 614-5
23-63-104	WEATHERSTRIP, Qtr. Wdo. Glass Front Frame	B, L R, W P, D, C, Y P	—	1	1	—	—	—	—	—	2782 560-1 2782 560-1 2965 880-1 2965 122-3

TYPE LETTERS Indicates	B - Barracuda	V - Valiant L - Dart	R - Belvedere W - Coronet	P - Plymouth D - Dodge	C - Chrysler Y - Imperial
NUMERALS INDICATE:	21 - 2 DR. SED. 23 - 2 DR. H.T.	27 - CONV. CPE. 29 - FAST BACK	41 - 4 DR. SED. 43 - 4 DR. H.T.	45 - 6 PASS. STA. WGN. 46 - 9 PASS. STA. WGN.	

AR Indicates use as required. Numerals in parentheses () refer to notes. Printed in U.S.A. January 1971
 # Indicates parts not listed in any previous parts book ★ Indicates change or addition.
 Right and left part numbers are on same line, first number is right, second number is left.

CODE	PART NAME	MODEL CODES	SEE BOTTOM NOTE							PART NUMBER
			21	23	27	29	41	43	45	
23-63-0 WEATHERSTRIP Cont'd.										
23-63-112	WEATHERSTRIP, Rear Wdo. Glass									
	NOTE: Weatherstripping is Not used with Cemented in type Rear Window Glass. See Part Type Code 23-64-1 for Installation Kit.									
		V	1	—	—	—	1	—	—	2963 972
		B	—	1	—	—	—	—	—	2842 531
		B	—	—	—	1	—	—	—	2841 832
		L	—	—	—	—	1	—	—	2839 646
	w/o Vinyl Roof	L	—	1	—	—	—	—	—	2604 115
	w/Vinyl Roof	L	—	1	—	—	—	—	—	2784 577
23-63-114	LOCKINGSTRIP, Rear Wdo. Glass W/Strip	B	—	1	—	—	—	—	—	2842 534
23-63-116	SPACER, Rear Wdo. Glass									
	Side	W	—	—	—	2	—	—	—	2842 569
	Side	P, D, C, Y	2	2	—	2	2	2	—	2842 569
	Top	P, D, C, Y	2	2	—	2	2	2	—	2842 569
23-63-126	WEATHERSTRIP, Frt. Door V/Wing	V, L	1	—	—	—	1	—	—	2663 472-3
		B, L	—	1	1	1	—	—	—	2663 474-5
		R, W	1	1	—	1	—	—	—	2811 306-7
		R, W	—	—	1	—	—	—	—	2570 786-7
		R, W	—	—	—	—	1	—	1	2570 784-5
		P, D, C, Y	1	1	—	1	—	1	—	2893 450-1
		P, D, C	—	—	1	—	—	—	—	2894 914-5
		P, D, C, Y	—	—	—	—	1	—	1	2893 452-3
23-63-127	DIVISIONAL CHANNEL, Frt. Door V/Wing	P, D, C, Y	1	—	—	1	—	1	—	2894 676-7
		P, D, C, Y	—	1	—	—	—	—	—	2894 678-9
		P, D, C	—	—	1	—	—	—	—	2894 684-5
		P, D, C, Y	—	—	—	—	1	—	1	2894 674-5
	RETAINER w/Divisional Channel, Door V/Wing W/Strip	Frnt								
		V, L	1	—	—	—	1	—	—	2663 558-9
		R, W	—	—	—	—	1	—	1	2861 070-1
		P, D, C, Y	—	—	—	—	1	—	1	3439 148-9
	RETAINER, Frt. Door V/Wing W/Strip	Frnt.								
		P, D, C, Y	—	—	—	—	1	—	1	2893 544-5
		Lwr.								
		P, D, C	—	—	1	—	—	—	—	2893 608-9
		P, D, C	—	—	1	—	—	—	—	2893 610-1
23-63-133	BRACKET, Qtr. Wdo. Rear Attaching	R, W	1	—	—	—	—	—	—	2842 620-1
	BRACKET, Qtr. Wdo. w/Strip Rear Corner Retaining	Rt.								
		R, W	—	—	—	—	—	1	1	2861 936
	BRACKET, Qtr. Wdo. Front W/Strip Retainer Attaching	P	2	—	—	—	—	—	—	2965 758
	BRACKET w/RETAINER, Qtr. Wdo. Front W/Strip	P	1	—	—	—	—	—	—	2965 760-1
23-63-134	DECAL, Qtr. Wdo. Glass Mod Top									
		B	—	1	—	—	—	—	—	3444 406-7
23-63-136	RETAINER w/BRACKET, Qtr. Wdo. W/Strip	R	1	—	—	—	—	—	—	2842 616-7
	RETAINER, Qtr. Wdo. W/Strip	W	1	—	—	—	—	—	—	2842 618-9
	RETAINER, Qtr. Wdo. Glass W/Strip	P	1	—	—	—	—	—	—	2965 762-3
		Upr.								
		R, W	—	—	—	—	—	1	1	2588 824-5
		Frnt.								
		R, W	—	—	—	—	—	1	1	2860 136-7
	RETAINER, Qtr. Panel Rear Door Lock Upper Pillar Qtr. Wdo. Glass W/Strip	P, D, C	—	—	—	—	—	1	1	2894 084-5
23-63-171	WEATHERSTRIP, T/Gate Opening Lower	R, W	—	—	—	—	—	1	1	2860 363
	UF TO Approximately May 1, 1969	P, D, C	—	—	—	—	—	1	1	2893 871
	AFTER Approximately May 1, 1969	P, D, C	—	—	—	—	—	1	1	3439 282
23-63-172	WEATHERSTRIP, Deck Lid Opening	V	1	—	—	—	1	—	—	2784 477
		L	—	1	1	—	1	—	—	2604 149
		B	—	1	1	—	—	—	—	2783 557

TYPE LETTERS Indicates

B - Barracuda

V - Valiant
L - DartR - Belvedere
W - CoronetP - Plymouth
D - DodgeC - Chrysler
Y - Imperial

NUMERALS INDICATE:

21 - 2 DR. SED.

27 - CONV. CPE.

41 - 4 DR. SED.

45 - 6 PASS. STA. WGN.

23 - 2 DR. H.T.

29 - FAST BACK

43 - 4 DR. H.T.

46 - 9 PASS. STA. WGN.

AR Indicates use as required.

Indicates parts not listed in any previous parts book

Numerals in parentheses () refer to notes.

★ Indicates change or addition.

Printed in U.S.A.

January 1971

Right and left part numbers are on same line, first number is right, second number is left.

CODE	PART NAME	MODEL CODES	SEE BOTTOM NOTE								PART NUMBER
			21	23	27	29	41	43	45	46	
23-63-0 WEATHERSTRIP Cont'd.											
23-63-172	WEATHERSTRIP Cont'd.	B	—	—	—	1	—	—	—	—	2604 151
		R	1	1	1	—	1	—	—	—	2838 661
		W	1	1	1	—	1	—	—	—	2838 662
		W	—	—	—	1	—	—	—	—	2838 149
		W-500	—	—	—	1	—	—	—	—	3412 164
		P	1	1	1	1	1	1	—	—	2964 122
		D	—	1	1	—	1	1	—	—	2964 123
		C, Y	—	1	1	—	1	1	—	—	2964 124
23-63-181	WEATHERSTRIP, T/Gate Glass	Inner Belt	R, W	—	—	—	—	—	1	1	2861 597
		Outer Belt	R, W	—	—	—	—	—	1	1	2860 362
		Inner Belt	P, D, C	—	—	—	—	—	1	1	2893 872
		Outer Belt	P, D, C	—	—	—	—	—	1	1	2893 873
	GASKET, T/Gate Glass Lower Frame		R, W	—	—	—	—	—	1	1	2860 360
23-63-183	CLIP, T/Gate Glass W/Strip	Inner Belt	P, D, C	—	—	—	—	—	9	9	2217 508
		Outer Belt	All	—	—	—	—	—	9	9	2217 508

23-64-0 WINDOW AND VENT WING

23-64-1	KIT, Cemented in Rear W do. Installation	R, W	1	1	—	1	1	—	—	—	2807 425
		P, D, C, Y	1	1	—	—	1	1	—	—	2807 425
	SPACER, Rear Wdo. Glass 15" Long	R, W	1	1	—	1	1	—	—	—	3445 241
		P, D, C, Y	1	1	—	1	1	—	—	—	3445 241
23-64-4	BUMPER, Elect. Wdo. Lift Down Stop	Frnt.	R, W	—	2	2	2	—	—	—	1954 083
		Qtr.	R, W	—	—	2	—	—	—	—	2574 876
	BUMPER, Door Elect. Wdo. Regulator	w/o Vent Wdo. Frnt.	P, D, C, Y	—	2	—	2	—	—	—	1954 083
		w/Vent Wdo. Frnt.	P	—	2	2	2	—	—	—	1954 083
		Frnt.	P-M, P-P	—	—	—	—	2	2	2	1954 083
		Frnt.	D, C, Y	—	2	2	—	2	2	2	1954 083
		Rr.	P-M, P-P	—	—	—	—	2	—	2	1954 083
		Rr.	D, C, Y	—	—	—	—	2	—	2	1954 083
	BUMPER, Qtr. Wdo. Glass Down Stop		R, W	—	2	—	2	—	—	—	2901 603
			P, D, C, Y	—	2	2	2	—	—	—	2901 603
23-64-10	GLASS, T/Gate Window	Clear	R, W	—	—	—	—	—	1	1	2860 104
		Tinted	R, W	—	—	—	—	—	1	1	2860 105
		Clear	P, D, C	—	—	—	—	—	1	1	2895 137
		Tinted	P, D, C	—	—	—	—	—	1	1	2895 138
	NOTE: See Code 23-09-67 For T/Gate Glass Lower Channel.										
23-64-11	LABEL, Caution T/Gate Glass		R, W	—	—	—	—	—	1	1	2861 773
	LABEL, T/Gate Door Hinge Release	Direction	P, D, C	—	—	—	—	—	1	1	2895 183
23-64-12	STOP, Frnt. Door Elect. Wdo. Reg. Down		R, W	—	2	2	2	—	—	—	2520 562
	STOP, Frnt. Door Glass Up Position On Glass		B, L, R, W	2	2	2	2	—	—	—	2894 599
			P, D, C, Y	2	2	2	2	—	2	—	2894 599
	STOP, Frnt. Door Glass Up Position On O/Side Panel Belt Reinforcement	w/o Vent Wdo.	P, D, C, Y	—	2	—	2	—	—	—	2894 650
	STOP, Rr. Door Glass Up Position On Glass		P, D, C, Y	—	—	—	—	—	2	—	2894 599
	STOP, Qtr. Wdo. Glass Up Position		B, L	—	4	—	2	—	—	—	2782 684
			R, W	—	—	2	—	—	—	—	2573 384
			P, D, C, Y	—	4	—	4	—	—	—	2963 494
	STOP, Qtr. Wdo. Glass Down Position										

TYPE LETTERS Indicates	B - Barracuda	V - Valiant L - Dart	R - Belvedere W - Coronet	P - Plymouth D - Dodge	C - Chrysler Y - Imperial
NUMERALS INDICATE:	21 - 2 DR. SED. 23 - 2 DR. H.T.	27 - CONV. CPE. 29 - FAST BACK	41 - 4 DR. SED. 43 - 4 DR. H.T.	45 - 6 PASS. STA. WGN. 46 - 9 PASS. STA. WGN.	

AR Indicates use as required.

Indicates parts not listed in any previous parts book

Numerals in parentheses () refer to notes.

★ Indicates change or addition.

Printed in U.S.A.

January 1971

Right and left part numbers are on same line, first number is right, second number is left.

CODE	PART NAME	MODEL CODES	SEE BOTTOM NOTE								PART NUMBER
			21	23	27	29	41	43	45	46	
23-64-0 WINDOW AND VENT WING Cont'd.											
23-64-12	STOP Cont'd.										
	4 1/32" Long	P, D, C, Y	—	2	2	—	—	—	—	—	2901 602
	3 19/32" Long	P, D, C, Y	—	2	2	2	—	—	—	—	2965 124
	STOP, Qtr. Wdo. Reg. Frt. Up Position	R, W	—	2	—	2	—	—	—	—	2839 547
	STOP, Qtr. Wdo. Glass Frt. Up Position	B, L	—	—	2	—	—	—	—	—	2782 865
		P, D, C	—	—	2	—	—	—	—	—	2963 494
	STOP, Qtr. Wdo. Glass Rr. Up Position	B, L	—	—	2	2	—	—	—	—	2783 990
		R, W	—	2	—	2	—	—	—	—	2841 835
		P, D, C	—	—	2	—	—	—	—	—	2902 792
	BRACKET, Elect. Frt. Door Glass										
	Channel Down Stop	R, W	—	2	2	2	—	—	—	—	2588 337
	BRACKET, Rear Door Glass Up Stop										
		Fr.	P, D, C, Y	—	—	—	—	—	1	—	2894 944-5
		Rr.	P, D	—	—	—	—	—	1	—	2894 614-5
		Rr.	C, Y	—	—	—	—	—	1	—	2894 600-1
	BRACKET, Rear Door Elect. Wdo. Regulator	P, D, C, Y	—	—	—	—	2	2	2	2	2945 655
	BRACKET, Elect. Qtr. Wdo. Glass Lower										
	Frame Down Stop	R, W	—	—	2	—	—	—	—	—	2860 854
	BRACKET, Qtr. Wdo. Glass Lower Frame										
	Down Stop	R, W	—	2	—	2	—	—	—	—	2963 682
	SUPPORT, Elect. Qtr. Wdo. Glass Down										
	Stop Bracket	R, W	—	—	2	—	—	—	—	—	2573 382
	SCREW, Door Glass Up Position On Glass Stop										
	1/4" - 14 x 1 1/8"	Fr.	B, L, R, W	2	2	2	2	—	—	—	9428 368
		Fr.	P, D, C, Y	2	2	2	2	—	2	—	9428 368
		Rr.	P, D, C, Y	—	—	—	—	4	—	—	9428 368
	SCREW w/WASHER, Front Door Glass Up										
	Position or Glass Track Upper Attaching										
	to Outside Panel										
	Belt Reinforcement Hex Socket Head-Pilot										
	Point 1/4" - 20 x 3/4" w/o Vent Wdo.	P, D, C, Y	—	AR	—	AR	—	—	—	—	6027 992
	NOTE: Also See Code 23-39-15.										
23-64-14	WEDGE, Front Door Glass	R, W	—	1	—	1	—	—	—	—	3440 428-9
	WEDGE, Door Glass Stop Up Position										
	w/o Vent Wdo.	P, D, C, Y	—	2	—	2	—	—	—	—	2894 174
23-64-17	ANTI-RATTLER, V/Wing Adjusting Rod	V, B, L									
		R, W	2	2	2	2	2	—	2	2	2861 704
		P, D, C, Y	2	2	2	2	2	2	2	2	2861 704
	ANTI-RATTLER, Qtr. Wdo. Glass Stop Up										
	Position	B, L	—	4	—	4	—	—	—	—	2782 794
		P, D, C, Y	—	4	—	4	—	—	—	—	2784 957
	ANTI-RATTLER, Qtr. Wdo. Glass Frt. Stop	B, L	—	—	2	—	—	—	—	—	2782 878
		R, W	—	2	—	2	—	—	—	—	2782 878
	ANTI-RATTLER, Qtr. Wdo. Glass Frt. Stop										
	Up Position	P, D, C	—	—	2	—	—	—	—	—	2784 957
	ANTI-RATTLER, Qtr. Wdo. Glass Rr. Stop										
	Up Position	B, L	—	—	2	—	—	—	—	—	2782 794
		P, D, C	—	—	2	—	—	—	—	—	2784 957
	ANTI-RATTLER, Qtr. Wdo. Rr. Up Stop	R, W	—	2	2	2	—	—	—	—	2784 957
23-64-28	RETAINER w/WELD SCREW, Frt. Door										
	Glass Down Stop Bracket										
	w/Pwr. Wdos.	R, W	2	2	2	2	2	—	2	2	2570 017
	RETAINER w/WELD SCREW, Frt. Door										
	Glass Track Bracket Bumper										
	w/o Vent Wdo.	P, D, C, Y	—	2	—	2	—	—	—	—	2895 233
	RETAINER w/WELD SCREW, Rr. Door										
	Glass Track Lwr. Bracket Bumper	P, D, C, Y	—	—	—	—	—	4	—	—	2895 233

TYPE LETTERS Indicates

B - Barracuda

V - Valiant
L - DartR - Belvedere
W - CoronetP - Plymouth
D - DodgeC - Chrysler
Y - Imperial

NUMERALS INDICATE:

21 - 2 DR. SED.

27 - CONV. CPE.

41 - 4 DR. SED.

45 - 6 PASS. STA. WGN.

23 - 2 DR. H.T.

29 - FAST BACK

43 - 4 DR. H.T.

46 - 9 PASS. STA. WGN.

AR Indicates use as required.

Indicates parts not listed in any previous parts book

Numerals in parentheses () refer to notes.

★ Indicates change or addition.

Printed in U.S.A.

January 1971

Right and left part numbers are on same line, first number is right, second number is left.

CODE	PART NAME	MODEL CODES	SEE BOTTOM NOTE								PART NUMBER
			21	23	27	29	41	43	45	46	
23-64-0 WINDOW AND VENT WING Cont'd.											
23-64-28	RETAINER Cont'd. BRACKET, Rr. Door Glass Track Panel Lower	P,D,C,Y	—	—	—	—	—	4	—	—	2893 906
	SCREW, Rr. Door Glass Track Panel Bracket	P,D,C,Y	—	—	—	—	—	6	—	—	6025 827
23-64-40	ROD, Frt. Door V/Wing Adjusting Lower	V, B, L R, W P, D, C, Y	2	2	2	2	2	—	—	—	2860 010 2860 010 2894 475
	STUD, Adjusting Door V/Wing to Upper Hinge Reinforcement Attaching	B, L P, D, C, Y	—	2	2	2	—	—	—	—	6027 538 6027 538
	NUT, Door V/Wing Lower Adjusting Rod to Inside Panel	V, B, L R, W P, D, C, Y	2	2	2	2	2	—	—	—	120 376 120 376 120 376
	WASHER, Door v/Wing Lower Adjusting Rod to Inside Panel	P,D,C,Y	2	2	2	2	2	2	2	2	6027525
	NUT, Door V/Wing Adjusting Stud to Upper Hinge Reinforcement	B, L P, D, C, Y	—	2	2	2	—	—	—	—	120 376 120 376
	SCREW W/Washer, Door v/Wing At Belt Front Attaching 5/16" - 18 x 1"	P,D,C,Y	2	2	2	2	—	2	—	—	6027 972
23-64-42	T/PLATE, Frt. Door V/Wing Attaching at Belt	B, L R, W	—	2	2	2	—	—	—	—	2860 956 2860 956
23-64-44	RETAINER, Frt. Door V/Wing Lower Rod to Lower Brace	B, L, V R, W	2	2	2	2	2	—	—	—	2860 036 2860 036
23-64-48	FRAME w/Divisional CHANNEL, Frt. Door V/Wing	B, L R, W R, W P, D, C, Y P,D,C P,D,C,Y	—	1	1	1	—	—	—	—	2861 352-3 2811 338-9 2860 872-3 3439 144-5 3439 146-7 3439 142-3
	NOTE: Also See Code 23-63-127.										
23-64-66	FRAME, Rear Wdo. Opening	Y	—	1	—	—	—	—	—	—	2901 659
		Y	—	—	—	—	—	1	—	—	2901 658
	FRAME, Rear Wdo. Opening Upper	V	1	—	—	—	1	—	—	—	2604 024
		L	—	—	—	—	1	—	—	—	2603 675
		B	—	1	—	—	—	—	—	—	2783 509
		L	—	1	—	—	—	—	—	—	2769 490
		B	—	—	—	1	—	—	—	—	2769 820
		R, W	1	1	—	—	—	—	—	—	2838 564
		R, W	—	—	—	—	1	—	—	—	2838 553
		W	—	—	—	1	—	—	—	—	2838 132
		P, D, C, Y	—	1	—	—	—	—	—	—	2900 168
		P, D	—	—	—	—	1	—	—	—	2900 166
		C, Y	—	—	—	—	1	—	—	—	2900 169
		P, D	1	—	—	1	—	1	—	—	2900 167
		C, Y	—	—	—	—	1	—	—	—	2900 127
	FRAME, Rear Wdo. Opening Lower	V	1	—	—	—	1	—	—	—	2604 025
		B	—	1	—	—	—	—	—	—	2839 169
		R, W	1	1	—	—	—	—	—	—	2842 804
		R, W	—	—	—	—	1	—	—	—	2838 565
		W	—	—	—	1	—	—	—	—	2840 384

TYPE LETTERS Indicates	B - Barracuda	V - Valiant L - Dart	R - Belvedere W - Coronet	P - Plymouth D - Dodge	C - Chrysler Y - Imperial
NUMERALS INDICATE:	21 - 2 DR. SED. 23 - 2 DR. H.T.	27 - CONV. CPE. 29 - FAST BACK	41 - 4 DR. SED. 43 - 4 DR. H.T.	45 - 6 PASS. STA. WGN. 46 - 9 PASS. STA. WGN.	

AR Indicates use as required. Numerals in parentheses () refer to notes. Printed in U.S.A.
 # Indicates parts not listed in any previous parts book. ★ Indicates change or addition. January 1971
 Right and left part numbers are on same line, first number is right, second number is left.

CODE	PART NAME	MODEL CODES	SEE BOTTOM NOTE							PART NUMBER	
			21	23	27	29	41	43	45		46
23-64-0 WINDOW AND VENT WING Cont'd.											
23-64-66	FRAME Cont'd.										
		P, D, C, Y	—	1	—	—	—	—	—	2900 146	
		P, D	—	—	—	—	1	—	—	2900 126	
		P, D	1	—	—	1	—	1	—	2900 178	
		C, Y	—	—	—	—	1	1	—	2900 180	
	FRAME, Rear Wdo. Opening Lower Corner	P, D	1	—	—	1	—	1	—	2900 864-5	
		P, D, C, Y	—	1	—	—	—	—	—	2901 426-7	
	FRAME, Rear Wdo. Opening Side	B	—	—	—	1	—	—	—	2604 026-7	
23-64-67	FRAME, Rear Wdo. Opening Lower End	R, W	—	—	—	—	1	—	—	2838 568-9	
	SUPPORT, Rear Wdo. Upper Frame to Roof Side Rail	W	—	—	—	1	—	—	—	2840 714-5	
	SUPPORT, Rear Wdo. Lower	W-500	—	—	—	1	—	—	—	3412 170	
	ANGLE SUPPORT, Rear Wdo. Side	W-500	—	—	—	1	—	—	—	3412 166-7	
	ANGLE SUPPORT, Rear Wdo. Upper Corner	W-500	—	—	—	2	—	—	—	3412 572	
	ANGLE SUPPORT, Rear Wdo. Reinforcement Upper	W-500	—	—	—	1	—	—	—	3412 168	
	REINFORCEMENT, Rear Wdo. Upper	W-500	—	—	—	1	—	—	—	3412 169	
23-64-68	EXTENSION, Rear Wdo. Opening Lower Frame	P, D	—	—	—	—	1	—	—	2901 640-1	
	EXTENSION, Rear Wdo. Opening Lower Corner	C, Y	—	—	—	—	1	1	—	2900 576-7	
23-64-71	BUMPER, V/Wing Upper Frame	B, L	—	1	1	1	—	—	—	2811 992-3	
		R, W	1	1	—	1	—	—	—	2811 312-3	
		R, W	—	—	1	—	—	—	—	2860 086-7	
	w/Vent Wdo.	P, D, C, Y	—	1	—	—	—	—	—	2894 906-7	
	W/Vent Wdo.	P	—	—	—	1	—	—	—	2893 434-5	
		P, D, C	—	—	1	—	—	—	—	2894 896-7	
		P, D, C, Y	1	—	—	—	—	1	—	2893 434-5	
	SCREW, v/Wing Upper Bumper Attaching	All	2	2	2	2	—	2	—	449603	
	PLUG, Door Inside Panel V/Wing Attaching Access Hole	Upr. B, L	—	2	2	2	—	—	—	1950 477	
		Upr. P, D, C, Y	2	2	2	2	—	2	—	1950 477	
		Lwr. V, B, L	—	—	—	—	—	—	—	—	
		R, W	2	2	2	2	2	—	2	2	2811 998
	w/o Vent Wdo., Lwr.	P, D, C, Y	—	2	—	2	—	—	—	2895 126	
	PLUG, Front Door Inside Panel Glass Track Lower Bracket Attaching Hole										
	w/Vent Wdo.	P, D, C, Y	2	2	2	2	—	—	—	2094 984	
	PLUG, Front Door Inside Panel Glass Rear Run Channel Lower Access Hole	B, L, R, W	—	2	2	2	—	—	—	2811 953	
		P, D, C, Y	2	2	2	2	—	—	—	2811 953	
	PLUG, Rear Door Inside Panel Outside Handle Attaching Access Hole	P, D	—	—	—	—	2	2	2	2	2811 953
		C	—	—	—	—	—	—	2	2	2811 953
	PLUG, Door Inside Panel V/Wing Attaching Access Hole at Belt 1/4" Hole										
	Vinyl										
	Black	B, L, R, W	2	2	2	2	—	—	—	4513 DX9	
	Light Blue	B, L, R, W	2	2	2	2	—	—	—	4513 EB3	
	Medium Blue	B, L	—	2	2	2	—	—	—	4513 EB5	
	Dark Blue	B, L, R, W	2	2	2	2	—	—	—	4513 EB7	
	Light Green	B, L, R, W	2	2	2	2	—	—	—	4513 EF3	
	Dark Green	B, L, R, W	2	2	2	2	—	—	—	4513 EF8	

TYPE LETTERS Indicates

B - Barracuda

V - Valiant
L - DartR - Belvedere
W - CoronetP - Plymouth
D - DodgeC - Chrysler
Y - Imperial

NUMERALS INDICATE:

21 - 2 DR. SED.

23 - 2 DR. H.T.

27 - CONV. CPE.

29 - FAST BACK

41 - 4 DR. SED.

43 - 4 DR. H.T.

45 - 6 PASS. STA. WGN.

46 - 9 PASS. STA. WGN.

AR Indicates use as required.

Indicates parts not listed in any previous parts book

Numerals in parentheses () refer to notes.

★ Indicates change or addition.

Printed in U.S.A.

January 1971

Right and left part numbers are on same line, first number is right, second number is left.

CODE	PART NAME	MODEL CODES	SEE BOTTOM NOTE								PART NUMBER
			21	23	27	29	41	43	45	46	
23-64-0 WINDOW AND VENT WING Cont'd.											
23-64-71	BUMPER Cont'd.										
	Red	B, L, R, W	2	2	2	2	—	—	—	—	4513 ER6
	Light Tan	B, L, R, W	2	2	2	2	—	—	—	—	4513 ET3
	Dark Tan	B, L, R, W	2	2	2	2	—	—	—	—	4513 ET7
	White	B, L, R, W	2	2	2	2	—	—	—	—	4513 EW1
	Yellow Gold	B, L	—	2	2	2	—	—	—	—	4513 EY4
	Orange Yellow Gold	B, L, R, W	2	2	2	2	—	—	—	—	4513 EL3
	Gray	R, W	2	2	2	2	—	—	—	—	4513 EA4
	PLUG, Door Inside Panel V/Wing Attaching										
	Access Hole Plastic										
	Black	R, W	4	4	4	4	—	—	—	—	4139 EX9
	Blue	R, W	4	4	4	4	—	—	—	—	4139 EB7
	Gray	R, W	4	4	4	4	—	—	—	—	4139 EA4
	Green	R, W	4	4	4	4	—	—	—	—	4139 EF8
	Red	R, W	4	4	4	4	—	—	—	—	4139 ER6
	Tan	R, W	4	4	4	4	—	—	—	—	4139 ET7
	White	R, W	4	4	4	4	—	—	—	—	4139 EW1
23-64-74	SEAL, V/Wing w/Strip Retainer to Door Frame	V, L	2	—	—	—	2	—	—	—	2811 523
		R, W	—	—	—	—	2	—	2	2	2811 523
		P, D, C, Y	—	—	—	—	2	—	2	2	3439 137
23-64-75	MOTOR w/MECHANISM, Frt. Door Elect. V/Wing	C, Y	—	1	1	—	1	1	1	1	2945 550-1
23-64-76	BRACKET, Frt. Door Elect. V/Wing Regulator	C, Y	—	1	1	—	1	1	1	1	2935 606-7
23-64-82	CLIP, Frt. Door V/Wing Shaft Pivot Coupling Attaching										
	Electric	C, Y	—	2	2	—	2	2	2	2	2428 284
	CLIP, Frt. Door V/Wing Wdo. Regulator Coupling Attaching										
	Manual	P, D, C, Y	2	2	2	2	2	2	2	2	2428 284
23-64-84	FILLER, Rear Wdo. Opening Lower Corner	V	1	—	—	—	1	—	—	—	2604 886-7
		L	—	1	—	—	—	—	—	—	2782 066-7
		L	—	—	—	—	1	—	—	—	2604 888-9
23-64-93	Shaft, Frt. Door v/Wing Lower Pivot to Regulator Socket	P, D, C, Y	2	2	2	2	2	2	2	2	2893576
23-64-95	BEARING, Frt. Door V/Wing Lower Pivot to Regulator Socket Shaft										
	w/Vent Wdo.	P, D, C, Y	—	4	—	4	—	—	—	—	2571 215
		P, D, C, Y	4	—	4	—	4	4	4	4	2571 215
23-64-159	RETAINER, Qtr. Wdo. Glass Pivot Bracket	R, W	2	—	—	—	—	—	—	—	2841 445
23-64-181	LATCH, Qtr. Wdo. Glass										
	Complete	R, W	2	—	—	—	—	—	—	—	2841 447
	PIN, Handle to Bracket Qtr. Wdo. Rear Attaching	R, W	2	—	—	—	—	—	—	—	273 752
23-64-197	GUIDE, Frt. Door Wdo. Glass Support Track										
	w/o Vent Wdo.	P, D, C, Y	—	4	—	—	—	—	—	—	2894 340
	GUIDE, Frt. Door Wdo. Glass Track Stabilizing	P, D, C, Y	—	4	—	4	—	—	—	—	2895 092
	w/o Vent Wdo.	P, D, C, Y	—	—	—	—	—	6	—	—	2894 340
	GUIDE, Rear Door Glass Stabilizer	P, D, C, Y	—	—	—	—	—	6	—	—	2802 482
	GUIDE, Qtr. Wdo. Glass Roller	B	—	—	—	2	—	—	—	—	2802 482
	GUIDE, Qtr. Wdo. Front Track Roller	P, D, C, Y	—	4	4	4	—	—	—	—	3454 231
	GUIDE, Qtr. Wdo. Rear Track Roller	P, D, C, Y	—	2	2	—	—	—	—	—	3454 231
	GUIDE, Qtr. Wdo. Glass Frame Slide	P	2	—	—	—	—	—	—	—	2902 578
	Shoulder Screw, Frt. Door Wdo. Glass Support										
	Track Guide to Glass w/o Vent WDO.	P, D, C, Y	—	4	—	4	—	—	—	—	6027 372

TYPE LETTERS Indicates V - Valiant R - Belvedere P - Plymouth C - Chrysler
 B - Barracuda L - Dart W - Coronet D - Dodge Y - Imperial

NUMERALS INDICATE: 21 - 2 DR. SED. 27 - CONV. CPE. 41 - 4 DR. SED. 45 - 6 PASS. STA. WGN.
 23 - 2 DR. H.T. 29 - FAST BACK 43 - 4 DR. H.T. 46 - 9 PASS. STA. WGN.

AR Indicates use as required. Numerals in parentheses () refer to notes. Printed in U.S.A.
 # Indicates parts not listed in any previous parts book ★ Indicates change or addition. January 1971

Right and left part numbers are on same line, first number is right, second number is left.

CODE	PART NAME	MODEL CODES	SEE BOTTOM NOTE								PART NUMBER
			21	23	27	29	41	43	45	46	
23-64-0 WINDOW AND VENT WING Cont'd.											
23-64-197	GUIDE Cont'd. Shoulder Screw, Rear Door Glass Track Guide to Track Panel and Glass	P, D, C, Y	—	—	—	—	—	6	—	—	6027 372
23-64-198	TRACK w/STUD, Qtr. Wdo. Rear Stabilizer	B, L	—	—	1	—	—	—	—	—	2782 792-3
23-64-213	TRACK w/BRACKET, Qtr. Wdo. Rear Stabilizer	R, W	—	—	1	—	—	—	—	—	2840 336-7
	FILLER, Qtr. Wdo. Opening Lower Corner	V	1	—	—	—	—	—	—	—	2782 744-5
	FILLER, Qtr. O/Side Panel Rear Wdo. Lower Corner	P	—	—	—	1	—	—	—	—	2965 092-3
	FILLER, Qtr. Panel Rear Wdo. Opening Lower Corner	B	—	1	—	—	—	—	—	—	2840 206-7
	FILLER, Qtr. O/Side Panel Rear Wdo. Opening Corner	W	—	—	—	1	—	—	—	—	2838 014-5
		L	—	1	—	—	—	—	—	—	2782 164-5
		L	—	—	—	—	1	—	—	—	2782 162-3
		R, W	1	1	—	—	—	—	—	—	2838 386-7
		P, D	1	—	—	1	—	1	—	—	2900 574-5
	FILLER, Qtr. Wdo. Opening Rear Corner	P	1	—	—	—	—	—	—	—	2901 670-1
		P, D	—	1	—	—	—	—	—	—	2901 418-9
		C, Y	—	1	—	—	—	—	—	—	2901 420-1
	FILLER, Qtr. Wdo. Opening Rear Lower Corner	P, D, C	—	—	—	—	—	—	1	1	2894 478-9
23-64-237	CLAMP, V/Wing Upper Pivot	All	2	2	2	2	2	2	2	2	1708 998
23-64-240	PIVOT PACKAGE, V/Wing Upper	V, B	1	1	1	1	1	—	—	—	2932 436-7
		L	—	1	1	—	1	—	—	—	2932 436-7
		R, W	—	—	1	—	1	—	1	1	2807 956-7
		R, W	2	2	—	2	—	—	—	—	2809 961
	PIVOT, V/Wing Upper	V, B	1	1	1	1	1	—	—	—	2663 754-5
		L	—	1	1	—	1	—	—	—	2663 754-5
		R, W	—	—	1	—	1	—	1	1	2570 282-3
		P, D, C, Y	1	1	1	1	1	1	1	1	2893 566-7
23-64-242	STUD, v/Wing Upper Pivot 1 1/4" Long	R, W	2	2	—	2	—	—	—	—	6027 344
	CLAMP, V/Wing Lower Pivot Tension	V, B	2	2	2	2	2	—	—	—	2663 742
		L	—	2	2	—	2	—	—	—	2663 742
	Clamp or Bearing, v/Wing Lower Pivot	P, D, C, Y	2	2	2	2	2	2	2	2	2893 554
	BRACKET, Frt. Door Inside Panel to V/Wing Frame Lower Frt.	R, W	1	1	1	1	—	—	—	—	2895 362-3
	BRACKET PACKAGE, Upper V/Wing Pivot	P, D, C, Y	1	1	1	1	1	1	1	1	3419 350-1
	SCREW, V/Wing Clamp to Upper Pivot Bracket	All	2	2	2	2	2	2	2	2	6000 374
	PIN, V/Wing Lower Pivot Stop	R, W	2	2	2	2	2	—	2	2	9409 639
	Speed Nut, v/Wing Lower Pivot Bracket to Clamp	All	2	2	2	2	2	2	2	2	6022 274
23-64-246	WASHER, V/Wing Upper Clamp to Glass	All	2	2	2	2	2	2	2	2	1909 944
	WASHER, Qtr. Wdo. Glass to Latch	R, W	2	—	—	—	—	—	—	—	1909 944
23-64-254	TRACK w/Upper BRACKET, Frt. Door Glass w/o Vent Wdo.	P, D, C, Y	—	1	—	1	—	—	—	—	2933 244-5
23-64-266	BUMPER, Frt. Door Glass Track Lower Bracket w/o Vent Wdo.	P, D, C, Y	—	2	—	2	—	—	—	—	2895 218
	BUMPER, Rear Door Glass Track Panel	P, D, C, Y	—	—	—	—	—	4	—	—	2861 758
	BUMPER, Rear Door Glass Track Lower Bracket	P, D, C, Y	—	—	—	—	—	4	—	—	2895 218
	Down Stop UP TO Approximately Nov. 1, 1968	P, D, C, Y	—	—	—	—	—	4	—	—	2895 218
	AFTER Approximately Nov. 1, 1968	P, D, C, Y	—	—	—	—	—	4	—	—	3440 301

TYPE LETTERS Indicates

B - Barracuda

V - Valiant
L - DartR - Belvedere
W - CoronetP - Plymouth
D - DodgeC - Chrysler
Y - Imperial

NUMERALS INDICATE:

21 - 2 DR. SED.

27 - CONV. CPE.

41 - 4 DR. SED.

45 - 6 PASS. STA. WGN.

23 - 2 DR. H.T.

29 - FAST BACK

43 - 4 DR. H.T.

46 - 9 PASS. STA. WGN.

AR Indicates use as required.

Numerals in parentheses () refer to notes.

Printed in U.S.A.

Indicates parts not listed in any previous parts book

★ Indicates change or addition.

January 1971

Right and left part numbers are on same line, first number is right, second number is left.

CODE	PART NAME	MODEL CODES	SEE BOTTOM NOTE								PART NUMBER
			21	23	27	29	41	43	45	46	
23-64-0 WINDOW AND VENT WING Cont'd.											
23-64-268	PANEL w/REINFORCEMENT, Rear Door Glass Track	P, D, C, Y	—	—	—	—	—	1	—	—	2859 994-5
23-64-269	BRACKET w/ROLLER, Qtr. Wdo. Track	B, L	—	2	—	2	—	—	—	—	2520 659
	BRACKET w/ROLLER and GUIDE, Qtr. Wdo. Track	B, L	—	2	—	2	—	—	—	—	2520 658
		R, W	—	4	—	4	—	—	—	—	2520 658
		B, L	—	—	2	—	—	—	—	—	2486 058
		R, W	—	—	4	—	—	—	—	—	2486 058
	BRACKET w/ROLLER and GUIDE, Qtr. Wdo. Front Track	P,D,C,Y	—	4	4	4	—	—	—	—	3454 230
	BRACKET w/ROLLER and GUIDE, Qtr. Wdo. Rear Track	P,D,C,Y	—	2	2	—	—	—	—	—	3454 230
	BRACKET, Frt. Door Glass Track Lower w/o Vent Wdo.	P, D, C, Y	—	1	—	1	—	—	—	—	2895 034-5
	SUPPORT, Frt. Roller Track Brace to Side Sill Panel	R, W	—	2	2	2	—	—	—	—	2603 156
23-64-272	FASTENER, Door Glass to Lift Channel										
	Frnt. Door	P, D, C, Y	4	4	4	4	4	4	4	4	2811 852
	Rr. Door	P, D, C, Y	—	—	—	—	4	4	4	4	2811 852
	FASTENER, Qtr. Wdo. Glass Frame Slide Guide	P	4	—	—	—	—	—	—	—	2811 852
	FASTENER, Rear Door Glass to Track and Guide	P, D, C, Y	—	—	—	—	—	6	—	—	2861 680
	FASTENER, Front Door Glass to Support Track and Guide w/o Vent Wdo.	P, D, C, Y	—	4	—	4	—	—	—	—	2861 680
	FASTENER, T/Gate Glass to Lift Channel	All	—	—	—	—	—	—	AR	AR	2811 852
	SCREW	All	—	—	—	—	—	—	AR	AR	6027 471
23-64-273	SUPPORT, Rear Door Glass Rear Run Channel Lower	V, L, R, W	—	—	—	—	2	—	2	2	2216 673
23-64-276	SPRING, Front Door Glass Frame Rear Wedge	R,W	—	2	—	2	—	—	—	—	3439 001
	SPRING, Frt. Door Glass Wedge to Rear Channel Upper Bracket w/o Vent Wdo.	P, D, C, Y	—	2	—	2	—	—	—	—	2894 180
23-64-278	GROMMET, V/Wing Pivot Bracket	All	2	2	2	2	2	2	2	2	1909 917
	GROMMET, Qtr. Wdo. to Latch	R, W	2	—	—	—	—	—	—	—	1708 996
23-64-280	FRAME w/BRACKET, Qtr. Wdo. Glass Front	R,W	1	—	—	—	—	—	—	—	2838 388-9
	FRAME, Qtr. Wdo. Opening	V	1	—	—	—	—	—	—	—	2604 246-7
23-64-281	REINFORCEMENT, Qtr. Wdo. Opening	B	—	—	—	1	—	—	—	—	2604 292-3
	REINFORCEMENT, Qtr. Wdo. Opening Lower Corner	R, W	1	1	—	1	—	—	—	—	2838 446-7
	BRACE, Qtr. Inside Panel to Front Roller Track	B, L	—	1	—	—	—	—	—	—	2840 300-1
		R, W	—	1	—	1	—	—	—	—	2603 154-5
23-64-282	SLIDE, Front Door Wdo. Regulator w/Vent Wdo. Manual	P, D, C	2	2	2	2	2	2	2	2	2999 235
	w/o Vent Wdo. Manual	P, D, C	—	2	—	2	—	—	—	—	2999 235
	SLIDE, Front Door Wdo. Regulator Front Arm w/o Vent Wdo. Electric	P, D, C, Y	—	2	—	2	—	—	—	—	2999 235
	SLIDE, Front Door Wdo. Regulator Rear Arm w/o Vent Wdo. Electric	P, D, C, Y	—	2	—	2	—	—	—	—	2999 235
	SLIDE, Rear Door Wdo. Regulator Track Manual	P, D, C	—	—	—	—	4	4	4	4	2999 235
	SLIDE, Rear Door Wdo. Regulator Front Arm Electric	P,D,C,Y	—	—	—	—	2	2	2	2	2999 235
	SLIDE, Rear Door Wdo. Regulator Rear Arm Electric	P, D, C, Y	—	—	—	—	2	2	2	2	2999 235

TYPE LETTERS Indicates	B - Barracuda	V - Valiant L - Dart	R - Belvedere W - Coronet	P - Plymouth D - Dodge	C - Chrysler Y - Imperial
NUMERALS INDICATE:	21 - 2 DR. SED. 23 - 2 DR. H.T.	27 - CONV. CPE. 29 - FAST BACK	41 - 4 DR. SED. 43 - 4 DR. H.T.	45 - 6 PASS. STA. WGN.	46 - 9 PASS. STA. WGN.

AR Indicates use as required. Numerals in parentheses () refer to notes. Printed in U.S.A.
 # Indicates parts not listed in any previous parts book ★ Indicates change or addition. January 1971
 Right and left part numbers are on same line, first number is right, second number is left.

CODE	PART NAME	MODEL CODES	SEE BOTTOM NOTE								PART NUMBER
			21	23	27	29	41	43	45	46	
23-64-0 WINDOW AND VENT WING Cont'd.											
23-64-282	SLIDE Cont'd.										
	SLIDE, Qtr. Wdo. Rear Track	B, L	—	2	—	—	—	—	—	—	2802 211
		R, W	—	2	—	2	—	—	—	—	2583 552
	SLIDE, Qtr. Wdo. Glass Lower Frame to Stabilizer	B, L, R, W	—	—	6	—	—	—	—	—	2574 874
	SLIDE, Qtr. Wdo. Regulator Track										
		Manual	P, D, C	4	2	2	2	—	—	—	2999 235
		Electric	P, D, C, Y	—	4	4	4	—	—	—	2999 235
	SLIDE, Plastic, Qtr. Glass R.r. Track, RIVET, Slide To Qtr. Gl. Lower Frame Att.	CANADA	P.D.C	—	2	2	2	—	—	—	2842 316
		CANADA	P-D-C	—	2	2	2	—	—	—	6026 564
	SLIDE, Front Door Glass Front Edge	B, L	—	8	8	8	—	—	—	—	2841 646
		R, W	8	8	8	8	—	—	—	—	2841 646
		P, D, C, Y	8	—	8	—	8	8	8	8	2841 646
		P, D, C, Y	—	8	—	8	—	—	—	—	2841 646
23-64-286	PIN, Frt. Door Glass Frt. Edge Slide	B, L	—	4	4	4	—	—	—	—	2861 744
		R, W	4	4	4	4	—	—	—	—	2861 744
		P, D, C, Y	4	—	4	—	4	4	4	4	2861 744
		P, D, C, Y	—	4	—	4	—	—	—	—	2861 744
		R, W	4	—	—	—	—	—	—	—	2861 744
	PIN, Qtr. Wdo. Glass Front Retainer	R, W	2	2	—	2	—	—	—	—	2842 909
23-64-288	SHIELD, Qtr. Wdo. Opening Rear Corners	R, W	2	2	—	2	—	—	—	—	2842 909
23-64-290	SEAL, Qtr. Wdo. Opening Frame to Drain Trough	V	2	—	—	—	—	—	—	—	2782 700
23-64-291	ROLLER, Qtr. Wdo. Track Slide	R, W	—	2	—	2	—	—	—	—	2520 676
23-64-292	GUIDE, Qtr. Wdo. Roller Rear	B	—	—	—	1	—	—	—	—	2784 786-7
23-64-293	RETAINER, Qtr. Wdo. Glass	R, W	8	—	—	—	—	—	—	—	2841 646
23-64-297	SLEEVE NUT	All	—	AR	AR	AR	—	—	—	—	2588 202
23-64-299	TRACK, Qtr. Wdo. Roller										
		Frt.	B	—	1	—	—	—	—	—	2841 044-5
		Rr.	B	—	2	—	—	—	—	—	2842 651
		Rr.	L	—	2	—	—	—	—	—	2841 089
		Frt.	R, W	—	1	—	1	—	—	—	2784 170-1
		Rr.	R, W	—	2	—	2	—	—	—	2839 684
	UP TO Approximately Jan. 15, 1969	Frt.	P,D,C,Y	—	2	2	2	—	—	—	2933 206
	AFTER Approximately Jan. 15, 1969	Frt.	P,D,C,Y	—	1	1	1	—	—	—	3419 946-7
		Rr.	P,D,C,Y	—	1	1	1	—	—	—	3419 426-7
	TRACK w/STUD and BRACKET, Qtr. Wdo. Roller	Frt.	B, L	—	—	1	—	—	—	—	2782 772-3
		Frt.	B	—	—	—	1	—	—	—	2784 702-3
		Frt.	R, W	—	—	1	—	—	—	—	2603 490-1
	TRACK w/STUD and PLATE, Qtr. Wdo. Roller	Frt.	L	—	1	—	—	—	—	—	2840 312-3
	WASHER, Qtr. Wdo. Roller Track										
		Frt. and Rr.	All	—	AR	AR	AR	—	—	—	6026 530
23-64-300	BRACKET, Qtr. Wdo. Roller Frt. Track Lower Support	R, W	—	—	2	—	—	—	—	—	2603 877
	SUPPORT, Qtr. Wdo. Roller Track	B	—	—	—	2	—	—	—	—	2784 711
	SUPPORT, Qtr. Wdo. Frt. Roller Track	R, W	—	2	—	2	—	—	—	—	2901 594
	SUPPORT, Qtr. Wdo. Glass Rear Run Retainer	P	2	—	—	—	—	—	—	—	2901 594
	SUPPORT, Qtr. Wdo. Roller Rear Track Lower	P, D, C, Y	—	2	2	2	—	—	—	—	2901 594

TYPE LETTERS Indicates	B - Barracuda	V - Valiant L - Dart	R - Belvedere W - Coronet	P - Plymouth D - Dodge	C - Chrysler Y - Imperial
NUMERALS INDICATE:	21 - 2 DR. SED. 23 - 2 DR. H.T.	27 - CONV. CPE. 29 - FAST BACK	41 - 4 DR. SED. 43 - 4 DR. H.T.	45 - 6 PASS. STA. WGN. 46 - 9 PASS. STA. WGN.	

AR Indicates use as required.

Indicates parts not listed in any previous parts book

Numerals in parentheses () refer to notes.

★ Indicates change or addition.

Printed in U.S.A.

January 1971

Right and left part numbers are on same line, first number is right, second number is left.

CODE	PART NAME	MODEL CODES	SEE BOTTOM NOTE								PART NUMBER
			21	23	27	29	41	43	45	46	
23-64-0	WINDOW AND VENT WING Cont'd.										
23-64-306	GLASS										
	VENT WING										
	NOTE: All Glass Listed Below Includes Lower Pivot and Bracket.										
	Clear	V, B, L	1	1	1	1	1	—	—	—	2861 634-5
	Tinted	V, B, L	1	1	1	1	1	—	—	—	2861 636-7
	Clear	R, W	1	1	—	1	—	—	—	—	2811 358-9
	Tinted	R, W	1	1	—	1	—	—	—	—	2811 360-1
	Clear	R, W	—	—	1	—	1	—	1	1	2861 620-1
	Tinted	R, W	—	—	1	—	1	—	1	1	2861 622-3
	Clear	P, D, C, Y	1	1	1	1	1	1	1	1	2893 548-9
	Tinted	P, D, C, Y	1	1	1	1	1	1	1	1	2893 550-1

23-64-308 GLASS

FRONT DOOR WINDOW

NOTE: Glass Only Unless Otherwise Indicated.

	Clear	V	1	—	—	—	—	—	—	—	2663 494-5
	Tinted	V	1	—	—	—	—	—	—	—	2663 496-7
	Clear	V, L	—	—	—	—	1	—	—	—	2663 734-5
	Tinted	V, L	—	—	—	—	1	—	—	—	2663 502-3
	Clear, w/Rr. Frame	B	—	1	—	—	—	—	—	—	2861 906-7
	Tinted, w/Rr. Frame	B	—	1	—	—	—	—	—	—	2861 908-9
	Clear, w/Rr. Frame	L	—	1	—	—	—	—	—	—	2861 898-9
	Tinted, w/Rr. Frame	L	—	1	—	—	—	—	—	—	2861 900-1
	Clear, w/Rr. Frame	B, L	—	—	1	—	—	—	—	—	2861 902-3
	Tinted, w/Rr. Frame	B, L	—	—	1	—	—	—	—	—	2861 904-5
	Clear, w/Rr. Frame	B	—	—	—	1	—	—	—	—	2861 910-1
	Tinted, w/Rr. Frame	B	—	—	—	1	—	—	—	—	2861 912-3
	Clear	R, W	1	—	—	—	—	—	—	—	2895 286-7
	Tinted	R, W	1	—	—	—	—	—	—	—	2895 288-9
	Clear, w/Rr. Frame	R, W	—	1	—	1	—	—	—	—	2895 294-5
	Tinted, w/Rr. Frame	R, W	—	1	—	1	—	—	—	—	2895 296-7
	Clear, w/Rr. Frame	R, W	—	—	1	—	—	—	—	—	2895 298-9
	Tinted, w/Rr. Frame	R, W	—	—	1	—	—	—	—	—	2895 300-1
	Clear	R, W	—	—	—	—	1	—	1	1	2570 240-1
	Tinted	R, W	—	—	—	—	1	—	1	1	2570 822-3
	Clear	P	1	—	—	—	—	—	—	—	2894 570-1
	Tinted	P	1	—	—	—	—	—	—	—	2894 572-3
	Clear, w/Rr. Frame										
	Use w/Vent Wdo	P, D, C, Y	—	1	—	—	—	—	—	—	2893 520-1
	Tinted, w/Rr. Frame										
	Use w/Vent Wdo.	P, D, C, Y	—	1	—	—	—	—	—	—	2893 522-3
	Clear, w/Rr. Frame										
	Use w/o Vent Wdo.	P, D, C, Y	—	1	—	—	—	—	—	—	2894 624-5
	Tinted, w/Rr. Frame										
	Use w/o Vent Wdo.	P, D, C, Y	—	1	—	—	—	—	—	—	2894 992-3
	Clear, w/Rr. Frame	P, D, C	—	—	1	—	—	—	—	—	2894 204-5
	Tinted, w/Rr. Frame	P, D, C	—	—	1	—	—	—	—	—	2894 206-7
	Clear, w/Rr. Frame										
	Use W/Vent Wdo.	P	—	—	—	1	—	—	—	—	2895 374-5
	Tinted, w/Rr. Frame										
	Use W/Vent Wdo.	P	—	—	—	1	—	—	—	—	2895 376-7
	Clear, w/Rr. Frame										
	Use W/O Vent Wdo.	P	—	—	—	1	—	—	—	—	2895 378-9
	Tinted, w/Rr. Frame										
	Use W/O Vent Wdo.	P	—	—	—	1	—	—	—	—	2895 380-1
	Clear, w/Rr. Frame	P, D, C, Y	—	—	—	—	—	1	—	—	2893 530-1
	Tinted, w/Rr. Frame	P, D, C, Y	—	—	—	—	—	1	—	—	2894 210-1

TYPE LETTERS Indicates B - Barracuda V - Valiant L - Dart R - Belvedere W - Coronet P - Plymouth D - Dodge C - Chrysler Y - Imperial

NUMERALS INDICATE: 21 - 2 DR. SED. 27 - CONV. CPE. 41 - 4 DR. SED. 45 - 6 PASS. STA. WGN. 23 - 2 DR. H.T. 29 - FAST BACK 43 - 4 DR. H.T. 46 - 9 PASS. STA. WGN.

AR Indicates use as required. Numerals in parentheses () refer to notes. Printed in U.S.A. # Indicates parts not listed in any previous parts book. ★ Indicates change or addition. January 1971

Right and left part numbers are on same line, first number is right, second number is left.

CODE	PART NAME	MODEL CODES	SEE BOTTOM NOTE							PART NUMBER	
			21	23	27	29	41	43	45		46
23-64-0	WINDOW AND VENT WING Cont'd.										
23-64-308	GLASS Cont'd.										
	Clear	P, D, C, Y	—	—	—	—	1	—	1	1	2893 508-9
	Tinted	P, D, C, Y	—	—	—	—	1	—	1	1	2893 510-1

REAR DOOR WINDOW

NOTE: Glass Only Unless Otherwise Indicated.

Clear	V, L	—	—	—	—	1	—	—	—	2663 782-3
Tinted	V, L	—	—	—	—	1	—	—	—	2663 610-1
Clear, Stationary	V, L	—	—	—	—	1	—	—	—	2663 784-5
Tinted, Stationary	V, L	—	—	—	—	1	—	—	—	2663 612-3
Clear	R, W	—	—	—	—	1	—	—	—	2811 460-1
Tinted	R, W	—	—	—	—	1	—	—	—	2811 462-3
Clear, Stationary	R, W	—	—	—	—	1	—	—	—	2811 464-5
Tinted, Stationary	R, W	—	—	—	—	1	—	—	—	2811 466-7
Clear	R, W	—	—	—	—	—	1	1	—	2570 370-1
Tinted	R, W	—	—	—	—	—	1	1	—	2570 962-3
Clear, Stationary	R, W	—	—	—	—	—	1	1	—	2811 472-3
Tinted, Stationary	R, W	—	—	—	—	—	1	1	—	2811 474-5
Clear	P, D	—	—	—	—	1	—	—	—	2893 912-3
Tinted	P, D	—	—	—	—	1	—	—	—	2893 914-5
Clear	C, Y	—	—	—	—	1	—	—	—	2893 916-7
Tinted	C, Y	—	—	—	—	1	—	—	—	2893 918-9
Clear, w/Frt. Frame and W/Strip	P, D	—	—	—	—	—	1	—	—	2893 842-3
Tinted, w/Frt. Frame and W/Strip	P, D	—	—	—	—	—	1	—	—	2893 844-5
Clear, w/Frt. Frame and W/Strip	C, Y	—	—	—	—	—	1	—	—	2893 846-7
Tinted, w/Frt. Frame and W/Strip	C, Y	—	—	—	—	—	1	—	—	2893 848-9
Clear	P, D, C	—	—	—	—	—	—	1	1	2893 920-1
Tinted	P, D, C	—	—	—	—	—	—	1	1	2893 922-3

23-64-311 GLASS

QUARTER WINDOW

NOTE: Glass Only Unless Otherwise Indicated.

Clear	V	1	—	—	—	—	—	—	—	2604 338-9
Tinted	V	1	—	—	—	—	—	—	—	2604 340-1
Clear, w/Frt. Frame	B	—	1	—	—	—	—	—	—	2840 808-9
Tinted, w/Frt. Frame	B	—	1	—	—	—	—	—	—	2840 810-1
Clear, w/Frt. Frame	L	—	1	—	—	—	—	—	—	2840 802-3
Tinted, w/Frt. Frame	L	—	1	—	—	—	—	—	—	2840 804-5
Clear, w/Lwr. Frame	B, L	—	—	1	—	—	—	—	—	2604 360-1
Tinted, w/Lwr. Frame	B, L	—	—	1	—	—	—	—	—	2604 362-3
Clear	B	—	—	—	1	—	—	—	—	2604 350-1
Tinted	B	—	—	—	1	—	—	—	—	2604 352-3
Clear	R	1	—	—	—	—	—	—	—	2838 434-5
Tinted	R	1	—	—	—	—	—	—	—	2838 436-7
Clear	W	1	—	—	—	—	—	—	—	2840 708-9
Tinted	W	1	—	—	—	—	—	—	—	2840 710-1
Clear	R, W	—	1	—	1	—	—	—	—	2838 438-9
Tinted	R, W	—	1	—	1	—	—	—	—	2838 440-1
Clear, Complete	R, W	—	—	1	—	—	—	—	—	2603 700-1
Tinted, Complete	R, W	—	—	1	—	—	—	—	—	2603 702-3
Clear	R, W	—	—	—	—	—	—	1	1	2811 774-5
Tinted	R, W	—	—	—	—	—	—	1	1	2811 776-7

TYPE LETTERS Indicates	B - Barracuda	V - Valiant L - Dart	R - Belvedere W - Coronet	P - Plymouth D - Dodge	C - Chrysler Y - Imperial
NUMERALS INDICATE:	21 - 2 DR. SED. 23 - 2 DR. H.T.	27 - CONV. CPE. 29 - FAST BACK	41 - 4 DR. SED. 43 - 4 DR. H.T.	45 - 6 PASS. STA. WGN. 46 - 9 PASS. STA. WGN.	

AR Indicates use as required.

Indicates parts not listed in any previous parts book

Numerals in parentheses () refer to notes.

★ Indicates change or addition.

Printed in U.S.A.

January 1971

Right and left part numbers are on same line, first number is right, second number is left.

CODE	PART NAME	MODEL CODES	SEE BOTTOM NOTE								PART NUMBER
			21	23	27	29	41	43	45	46	
23-64-0 WINDOW AND VENT WING Cont'd.											
23-64-311	GLASS Cont'd.										
	Clear	P	1	—	—	—	—	—	—	—	2900 602-3
	Tinted	P	1	—	—	—	—	—	—	—	2900 604-5
	Clear, w/Frt. Frame and W/Strip	P, D, C, Y	—	1	—	—	—	—	—	—	2901 898-9
	Tinted, w/Frt. Frame and W/Strip	P, D, C, Y	—	1	—	—	—	—	—	—	2901 900-1
	Clear, w/Frt. Frame and W/Strip	P, D, C	—	—	1	—	—	—	—	—	2902 384-5
	Tinted, w/Frt. Frame and W/Strip	P, D, C	—	—	1	—	—	—	—	—	2902 386-7
	Clear, W/Frt. Frame and W/Strip	P	—	—	—	1	—	—	—	—	2965 928-9
	Tinted, W/Frt. Frame and W/Strip	P	—	—	—	1	—	—	—	—	2965 970-1
	Clear	P, D, C	—	—	—	—	—	—	1	1	2893 266-7
	Tinted	P, D, C	—	—	—	—	—	—	1	1	2893 268-9
23-64-314	GLASS										

REAR WINDOW

NOTE: For Convertible Coupe Rear Window Refer To Part Type Code 23-112-45.

	Clear	V	1	—	—	—	1	—	—	—	2963 970
	Tinted	V	1	—	—	—	1	—	—	—	2963 971
	Clear	B	—	1	—	—	—	—	—	—	2842 511
	Tinted	B	—	1	—	—	—	—	—	—	2842 512
	Clear	L	—	1	—	—	—	—	—	—	2604 006
	Tinted	L	—	1	—	—	—	—	—	—	2604 007
	Tinted	B	—	—	—	1	—	—	—	—	2604 009
	Clear	L	—	—	—	—	1	—	—	—	2603 690
	Tinted	L	—	—	—	—	1	—	—	—	2603 691
	Clear	R, W	1	1	—	—	—	—	—	—	2842 344
	Tinted	R, W	1	1	—	—	—	—	—	—	2842 345
	Clear	W	—	—	—	1	—	—	—	—	2838 130
	Tinted	W	—	—	—	1	—	—	—	—	2838 131
	Clear	W-500	—	—	—	1	—	—	—	—	3412 161
	Clear	R, W	—	—	—	—	1	—	—	—	2838 663
	Tinted	R, W	—	—	—	—	1	—	—	—	2838 664
	Clear	P, D	1	—	—	1	—	1	—	—	2900 183
	Tinted	P, D	1	—	—	1	—	1	—	—	2900 184
	Clear	P, D, C	—	1	—	—	—	—	—	—	2900 185
	Tinted	P, D, C	—	1	—	—	—	—	—	—	2900 186
LeBaron	Clear	Y	—	1	—	—	—	—	—	—	2901 654
LeBaron	Tinted	Y	—	1	—	—	—	—	—	—	2901 655
Crown	Clear	Y	—	1	—	—	—	—	—	—	2900 185
Crown	Tinted	Y	—	1	—	—	—	—	—	—	2900 186
	Clear	P, D	—	—	—	—	1	—	—	—	2900 181
	Tinted	P, D	—	—	—	—	1	—	—	—	2900 182
	Clear	C, Y	—	—	—	—	1	—	—	—	2900 187
	Tinted	C, Y	—	—	—	—	1	—	—	—	2900 188
	Clear	C	—	—	—	—	—	1	—	—	2900 128
	Tinted	C	—	—	—	—	—	1	—	—	2900 367
LeBaron	Clear	Y	—	—	—	—	—	1	—	—	2901 656
LeBaron	Tinted	Y	—	—	—	—	—	1	—	—	2901 657
Crown	Clear	Y	—	—	—	—	—	1	—	—	2900 128
Crown	Tinted	Y	—	—	—	—	—	1	—	—	2900 367

TYPE LETTERS indicates	B - Barracuda	V - Valiant L - Dart	R - Belvedere W - Coronet	P - Plymouth D - Dodge	C - Chrysler Y - Imperial
NUMERALS INDICATE:	21 - 2 DR. SED. 23 - 2 DR. H.T.	27 - CONV. CPE. 29 - FAST BACK	41 - 4 DR. SED. 43 - 4 DR. H.T.	45 - 6 PASS. STA. WGN. 46 - 9 PASS. STA. WGN.	

AR Indicates use as required. Numerals in parentheses () refer to notes. Printed in U.S.A.
 # Indicates parts not listed in any previous parts book. ★ Indicates change or addition. January 1971
 Right and left part numbers are on same line, first number is right, second number is left.

CODE	PART NAME	MODEL CODES	SEE BOTTOM NOTE								PART NUMBER
			21	23	27	29	41	43	45	46	
23-64-0 WINDOW AND VENT WING Cont'd.											
23-64-315	SUPPORT, Deck Opening Upper Panel to Rear Window Glass	W	—	—	—	2	—	—	—	—	2842 347
		P, D	2	—	—	2	—	2	—	—	2964 591
		P, D	—	2	—	—	2	—	—	—	2964 592
		C, Y	—	2	—	—	2	2	—	—	2964 592
23-66-0 WINDSHIELD											
23-66-65	FRAME w/REINFORCEMENT, W/Shield Opening Upper Center	P, D, C, Y	1	—	—	—	1	1	1	1	2859 866
		P, D, C, Y	—	1	—	1	—	—	—	—	2859 866
	FRAME w/REINFORCEMENT, W/Shield Opening Center	V, B, L	1	1	—	1	1	—	—	—	2769 208
	FRAME, W/Shield Upper										
	Inner	B, L	—	—	—	1	—	—	—	—	2769 625
	Outer	R, W	—	—	1	—	—	—	—	—	2529 827
	Center	R, W	1	1	—	1	—	—	—	—	2859 162
	Center	R, W	—	—	—	—	1	—	1	1	2859 001
	Outer	P, D, C	—	—	1	—	—	—	—	—	2901 010
	Inner	P, D, C	—	—	1	—	—	—	—	—	2902 532
	FRAME, W/Shield Opening Upper										
	Outer	B, L	—	—	1	—	—	—	—	—	2782 010
		R, W	—	—	1	—	—	—	—	—	2859 002
	EXTENSION, W/Shield Opening Side Frame Upper Corner	V, L	1	—	—	—	1	—	—	—	2861 926-7
		B, L	—	1	—	1	—	—	—	—	2861 928-9
		R, W	1	1	—	1	—	—	—	—	2861 932-3
		R, W	—	—	—	—	1	—	1	1	2861 930-1
	EXTENSION, W/Shield Opening Side Frame Upper Inner Corner	P, D, C, Y	—	1	—	—	—	—	—	—	2893 982-3
	EXTENSION, W/Shield Side Frame Upper Inner Corner	P, D, C, Y	1	—	—	1	—	1	—	—	2893 934-5
		P, D, C, Y	—	—	—	—	1	—	1	1	2893 932-3
23-66-69	SEAL, W/Shield Upper Inner Frame	B, L	—	—	1	—	—	—	—	—	2842 599
		R, W	—	—	1	—	—	—	—	—	2839 318
23-66-71	SILENCER, Frame W/Shield Opening Side Inner	P, D, C, Y	1	1	1	1	1	1	1	1	2893 106-7
	FASTENER, W/Shield Opening Side Inner Frame Silencer to Side Inner Frame	P, D, C	2	2	2	2	2	2	2	2	2860 454
23-66-75	KIT, Cemented in W/Shield Glass Installation	P, D, C, Y	1	1	1	1	1	1	1	1	3419 959
	SEALANT PACKAGE, w/Shield Glass CANADA	P, D, C, Y	1	1	1	1	1	1	1	1	3456 081
	SPACER, W/Shield Glass										
	Top	P, D, C, Y	2	2	2	2	2	2	2	2	2842 569
	Side	P, D, C, Y	2	2	2	2	2	2	2	2	2842 569
	(Wedge Type) Lwr.	P, D, C, Y	2	2	2	2	2	2	2	2	2895 334
	15" Long	P, D, C, Y	1	1	1	1	1	1	1	1	3445 241
23-66-77	REINFORCEMENT, W/Shield Frame and Pillar to Cowl Side Panel	B, L	—	—	1	—	—	—	—	—	2782 004-5
23-66-78	SUPPORT, W/Shield Glass Lower Spacer	P, D, C, Y	2	2	2	—	2	2	2	2	2895 333
23-66-135	GLASS										

WINDSHIELD

Clear	V, L	1	—	—	—	1	—	—	—	2663 141
Tinted	V, L	1	—	—	—	1	—	—	—	2663 142
Clear	B, L	—	1	1	1	—	—	—	—	2663 149
Tinted	B, L	—	1	1	1	—	—	—	—	2663 150

TYPE LETTERS Indicates	B - Barracuda	V - Valiant L - Dart	R - Belvedere W - Coronet	P - Plymouth D - Dodge	C - Chrysler Y - Imperial
NUMERALS INDICATE:	21 - 2 DR. SED.	27 - CONV. CPE.	41 - 4 DR. SED.	45 - 6 PASS. STA. WGN.	
	23 - 2 DR. H.T.	29 - FAST BACK	43 - 4 DR. H.T.	46 - 9 PASS. STA. WGN.	

AR Indicates use as required.

Indicates parts not listed in any previous parts book

Numerals in parentheses () refer to notes.

★ Indicates change or addition.

Printed in U.S.A.

January 1971

Right and left part numbers are on same line, first number is right, second number is left.

CODE	PART NAME	MODEL CODES	SEE BOTTOM NOTE								PART NUMBER
			21	23	27	29	41	43	45	46	
23-66-0 WINDSHIELD Cont'd.											
23-66-135	GLASS Cont'd.										
	Clear	R, W	1	1	—	1	—	—	—	—	2811 265
	Tinted	R, W	1	1	—	1	—	—	—	—	2811 266
	Clear	R, W	—	—	1	—	—	—	—	—	2570 605
	Tinted	R, W	—	—	1	—	—	—	—	—	2570 606
	Clear	R, W	—	—	—	—	1	—	1	1	2570 295
	Tinted	R, W	—	—	—	—	1	—	1	1	2570 598
	Clear	P, D, C, Y	1	1	1	1	—	1	—	—	2893 138
	Tinted	P, D, C, Y	1	1	1	1	—	1	—	—	2893 139
	Clear	P, D, C, Y	—	—	—	—	1	—	1	1	2893 130
	Tinted	P, D, C, Y	—	—	—	—	1	—	1	1	2893 131
23-66-235	WEATHERSTRIP, W/Shield Glass										
	NOTE: Weatherstripping is Not used with Cemented in type Windshield Glass. See Part Type Code 23-66-75 for Installation Kit.										
	V, L		1	—	—	—	1	—	—	—	2861 408
	B, L		—	1	—	1	—	—	—	—	2861 409
	B, L		—	—	1	—	—	—	—	—	2782 029
	R, W		1	1	—	1	—	—	—	—	2811 263
	R, W		—	—	1	—	—	—	—	—	2842 790
	R, W		—	—	—	—	1	—	1	1	2861 217
23-66-239	LOCKINGSTRIP, W/Shield Glass Weatherstrip STRIP, W/Shield Glass to Weatherstrip Filler										
	B, L		—	—	1	—	—	—	—	—	2839 148
	V, B, L		1	1	—	1	1	—	—	—	2861 116

23-67-0 WINDSHIELD AND TAILGATE WINDOW WIPER AND WASHER

23-67-2	CAM RELEASE PACKAGE, Wiper Parking										
	2 Speed	P, D, C	1	1	1	1	1	1	1	1	2932 869
23-67-5	ARM, W/Shield Wiper w/o Blade										
		V, B, L	2	2	2	2	2	—	—	—	2889 951
		R, W	2	2	—	2	—	—	—	—	2822 999
		R, W	—	—	2	—	2	—	2	2	2857 903
	Anco Type	P, D, C, Y	1	1	1	1	1	1	1	1	2889 860-1
	Trico Type	P, D, C, Y	1	1	1	1	1	1	1	1	2983 086-7
	ARM, T/Gate Window Washer w/o Blade										
		R, W	—	—	—	—	—	—	1	1	2889 940
		P, D, C	—	—	—	—	—	—	1	1	2889 941
	CONTROL ARM, T/Gate Window Washer										
	SPRING, T/Gate Window Washer Arm										
23-67-8	Support										
		R, W	—	—	—	—	—	—	2	2	2857 962
		P, D, C	—	—	—	—	—	—	2	2	2822 268
23-67-10	GEAR and SEAL PACKAGE, Wiper Motor										
	Variable Speed or 3 Speed										
		All	1	1	1	1	1	1	1	1	3420 871
23-67-12	WASHER, T/Gate Window Washer Blade										
	Arm Retaining										
		All	—	—	—	—	—	—	1	1	2889 943
23-67-20	GROMMET and SPACER PACKAGE, Motor										
	Mtg.										
	2 Speed	All	1	1	1	1	1	1	1	1	2932 708
	3 Speed	P, D, C, Y	1	1	1	1	1	1	1	1	2421 482
23-67-25	BLADE w/REFILL, W/Shield Wiper										
	Anco Type										
		V, B, L	2	2	2	2	2	—	—	—	2889 962
	Trico Type	V, B, L	2	2	2	2	2	—	—	—	2822 990
	Anco Type	R, W	2	2	—	2	—	—	—	—	2889 962
	Trico Type	R, W	2	2	—	2	—	—	—	—	2822 990
		R, W	—	—	2	—	2	—	2	2	2822 989
		P, D, C, Y	2	2	2	2	2	2	2	2	2889 859
	BLADE w/REFILL, T/Gate Window Washer										
		All	—	—	—	—	—	—	2	2	2884 398
	Center	R, W	—	—	—	—	—	—	1	1	2857 981
	Center	P, D, C	—	—	—	—	—	—	1	1	2857 982
	REFILL, W/Shield Wiper Blade										
	Anco Type										
		V, B, L	2	2	2	2	2	—	—	—	2771 967
	Trico Type	V, B, L	2	2	2	2	2	—	—	—	2889 964
	Anco Type	R, W	2	2	—	2	—	—	—	—	2771 967

TYPE LETTERS Indicates B - Barracuda V - Valiant L - Dart R - Belvedere W - Coronet P - Plymouth D - Dodge C - Chrysler Y - Imperial

NUMERALS INDICATE: 21 - 2 DR. SED. 27 - CONV. CPE. 41 - 4 DR. SED. 45 - 6 PASS. STA. WGN. 23 - 2 DR. H.T. 29 - FAST BACK 43 - 4 DR. H.T. 46 - 9 PASS. STA. WGN.

AR Indicates use as required. Numerals in parentheses () refer to notes. Printed in U.S.A.
 # Indicates parts not listed in any previous parts book ★ Indicates change or addition. January 1971

Right and left part numbers are on same line, first number is right, second number is left.

CODE	PART NAME	MODEL CODES	SEE BOTTOM NOTE								PART NUMBER
			21	23	27	29	41	43	45	46	
23-67-0 WINDSHIELD AND TAILGATE WINDOW WIPER AND WASHER Cont'd.											
23-67-25	BLADE W/REFILL Cont'd.										
	Trico Type	R, W	2	2	—	2	—	—	—	—	2889 964
	Anco Type	R, W	—	—	2	—	2	—	2	2	1818 892
	Trico Type	R, W	—	—	2	—	2	—	2	2	2857 904
		P,D,C,Y	2	2	2	2	2	2	2	2	1818 892
	REFILL, T/Gate Window Washer Blade	All	—	—	—	—	—	—	2	2	2884 399
	SCREW, T/Gate Window Washer Center Blade Mtg.	All	—	—	—	—	—	—	2	2	9415 920
	NUT, T/Gate Window Washer Center Blade Mtg.	All	—	—	—	—	—	—	2	2	6023 214
23-67-29	BUMPER, T/Gate Window Washer Blade Stop	R, W	—	—	—	—	—	—	4	4	2926 941
		P, D, C	—	—	—	—	—	—	4	4	2889 876
	FASTENER, T/Gate Window Washer Blade Bumper	P, D, C	—	—	—	—	—	—	4	4	2664 040
23-67-30	CLIP, T/Gate Window Washer Blade Arm Retaining	All	—	—	—	—	—	—	AR	AR	2857 966
	CLIP, W/Shield Washer Nozzle Hose	P, D, C, Y	3	3	3	3	3	3	3	3	2822 269
23-67-41	WIRING, W/Shield Wiper Motor Engine Compartment										
	2 Speed	V, B, L	1	1	—	1	1	1	—	—	2983 117
	2 Speed, UP TO Approximately Nov. 15, 1968	R, W	1	1	1	1	1	—	1	1	2926 394
	2 Speed, AFTER Approximately Nov. 15, 1968	R, W	1	1	1	1	1	—	1	1	2983 117
	2 Speed	P, D, C	1	1	1	1	1	1	1	1	2926 478
23-67-76	CRANK w/PIN, Wiper Drive										
	Variable Speed	V, B, L	1	1	1	1	1	—	—	—	2822 272
	2 Speed	V, B, L	1	1	1	1	1	—	—	—	2889 966
	2 Speed	R, W	1	1	1	1	1	—	1	1	2631 794
	3 Speed	R, W	1	1	1	1	1	—	1	1	2822 273
	2 Speed	P, D, C	1	1	1	1	1	1	1	1	2983 013
	3 Speed	P, D, C, Y	1	1	1	1	1	1	1	1	2926 918
23-67-79	LINK, Wiper Pivot Connecting	V, B, L	1	1	1	1	1	—	—	—	2857 937
		R, W	1	1	1	1	1	—	1	1	2857 922
		P,D,C,Y	1	1	1	1	1	1	1	1	2889 855
	LINK, Wiper Drive	V, B, L	1	1	1	1	1	—	—	—	2857 936
		R, W	1	1	1	1	1	—	1	1	2857 919
	2 Speed	P,D,C	1	1	1	1	1	1	1	1	2889 854
	3 Speed	P,D,C,Y	1	1	1	1	1	1	1	1	2926 924
23-67-80	RETAINER, Drive Link to Crank Arm	V, B, L									
		R, W	1	1	1	1	1	—	1	1	2580 929
	2 Speed (Contained in Crank Assy.)	P,D,C	1	1	1	1	1	1	1	1	2983 017
	3 Speed (Contained in Crank Assy.)	P,D,C,Y	1	1	1	1	1	1	1	1	2580 929
	2 or 3 Speed, Mtg.	P,D,C,Y	1	1	1	1	1	1	1	1	2580 929
	RETAINER, Drive Link to Lt. Pivot	P,D,C,Y	2	2	2	2	2	2	2	2	1642 029
23-67-82	SPRING WASHER, Link Mtg.	V, B, L									
		R, W	1	1	1	1	1	—	1	1	2580 944
		P,D,C,Y	2	2	2	2	2	2	2	2	2983 010
	WASHER, Wiper Link Mtg.										
	2 or 3 Speed (Sponge)	P,D,C,Y	1	1	1	1	1	1	1	1	2983 031
	2 or 3 Speed (Steel)	P,D,C,Y	1	1	1	1	1	1	1	1	2983 034
	WASHER, Wiper Link										
	3 Speed (Sponge)	P,D,C,Y	1	1	1	1	1	1	1	1	2983 031
	3 Speed (Steel)	P,D,C,Y	1	1	1	1	1	1	1	1	2983 034
23-67-86	PIVOT	V, B, L	1	1	1	1	1	—	—	—	2857 934-5
		R, W	1	1	1	1	1	—	1	1	2857 920-1
		P,D,C,Y	1	1	1	1	1	1	1	1	2889 848-9

TYPE LETTERS INDICATES	B - Barracuda	V - Valiant L - Dart	R - Belvedere W - Coronet	P - Plymouth D - Dodge	C - Chrysler Y - Imperial
NUMERALS INDICATE:	21 - 2 DR. SED. 23 - 2 DR. H.T.	27 - CONV. CPE. 29 - FAST BACK	41 - 4 DR. SED. 43 - 4 DR. H.T.	45 - 6 PASS. STA. WGN. 46 - 9 PASS. STA. WGN.	

AR Indicates use as required.

Indicates parts not listed in any previous parts book

Numerals in parentheses () refer to notes.

★ Indicates change or addition.

Printed in U.S.A.

January 1971

Right and left part numbers are on same line, first number is right, second number is left.

CODE	PART NAME	MODEL CODES	SEE BOTTOM NOTE								PART NUMBER
			21	23	27	29	41	43	45	46	
23-67-0 WINDSHIELD AND TAILGATE WINDOW WIPER AND WASHER Cont'd.											
23-67-98	MOTOR Variable Speed	V,B,L	1	1	1	1	1	—	—	—	2983 116
	2 Speed	V, B, L, R, W	1	1	1	1	1	—	1	1	2770 090
	3 Speed	R,W	1	1	1	1	1	—	1	1	2983 116
	2 Speed	P,D,C	1	1	1	1	1	1	1	1	2926 929
	3 Speed	P,D,C,Y	1	1	1	1	1	1	1	1	2926 919
	NUT, Motor Mtg.	All	3	3	3	3	3	3	3	3	6025 413
23-67-104	SEAL, Wiper Motor Mtg.										
	2 Speed	All	1	1	1	1	1	1	1	1	2926 168
	Variable Speed	V, B, L	1	1	1	1	1	—	—	—	2580 927
	3 Speed	R, W	1	1	1	1	1	—	1	1	2580 927
	3 Speed	P,D,C,Y	1	1	1	1	1	1	1	1	2926 923
	SEAL, Wiper Motor Output Shaft										
	2 Speed	P,D,C	1	1	1	1	1	1	1	1	2770 048
	SEAL and SPACER PACKAGE, Motor Mtg.										
	Variable Speed	V, B, L	1	1	1	1	1	—	—	—	2808 831
	3 Speed	R, W	1	1	1	1	1	—	1	1	2808 831
	"O" RING, Parking Mechanism										
	2 Speed	P,D,C	1	1	1	1	1	1	1	1	2983 016
23-67-107	LIMIT RESISTOR, w/Shield Wiper Motor 2 Speed	All	1	1	1	1	1	1	1	1	2822 261
23-67-132	BUSHING, Drive Link to Crank Arm										
	Variable Speed (Plastic)	V, B, L	1	1	1	1	1	—	—	—	2580 200
	3 Speed (Plastic)	R, W	1	1	1	1	1	—	1	1	2580 200
	2 Speed (Plastic)	V, B, L, R, W	1	1	1	1	1	—	1	1	2631 766
	BUSHING, Wiper Link and Pivot Connecting (Plastic)	V, B, L, R, W	AR	AR	AR	AR	AR	—	AR	AR	2857 917
23-67-160	SWITCH, W/Shield Wiper										
	Variable Speed	V, B, L	1	1	1	1	1	—	—	—	2770 378
	2 Speed	V, B, L	1	1	1	1	1	—	—	—	2864 415
	2 Speed	R, W	1	1	1	1	1	—	1	1	3004 177
	3 Speed	R, W	1	1	1	1	1	—	1	1	2864 014
	2 Speed	P,D,C	1	1	1	1	1	1	1	1	2932 872
	3 Speed	P,D,C	1	1	1	1	1	1	1	1	2864 434
	3 Speed	Y	—	1	—	—	1	1	—	—	2947 256
	SWITCH, W/Shield Washer	V, B, L	1	1	1	1	1	—	—	—	2770 378
		R, W	1	1	1	1	1	—	1	1	2809 009
		P,D,C	1	1	1	1	1	1	1	1	2932 807
		Y	—	1	—	—	1	1	—	—	2932 884
	SWITCH, T/Gate Window Washer	R, W	—	—	—	—	—	—	1	1	2809 009
	SWITCH, W/Shield and T/Gate Window Washer	P, D, C	—	—	—	—	—	—	1	1	2864 354
23-67-161	NUT, Wiper Switch Mtg.	V, B	1	1	1	1	1	—	—	—	1887 603
23-67-164	SWITCH PLATE and LATCH PACKAGE, Wiper Motor Variable Speed	V,B,L	1	1	1	1	1	—	—	—	3420 870
	3 Speed	R,W	1	1	1	1	1	—	1	1	3420 870
	3 Speed	P,D,C,Y	1	1	1	1	1	1	1	1	3420 918
23-67-166	TERMINAL, Wiper Switch Wiring	R, W, P, D	AR	AR	AR	AR	AR	AR	AR	AR	2889 467
23-67-169	INSULATOR, Wiper Switch Wiring	R, W, P, D	1	1	1	1	1	1	1	1	2889 044
	INSULATOR, Wiring Terminal	V, B, L	AR	AR	AR	AR	AR	—	—	—	2889 432
		R, W, P, D	AR	AR	AR	AR	AR	AR	AR	AR	2889 432
	INSULATOR, Wiper Motor Wiring										
	Speed	P,D,C,Y	1	1	1	1	1	1	1	1	2926 255

TYPE LETTERS Indicates	B - Barracuda	V - Valiant L - Dart	R - Belvedere W - Coronet	P - Plymouth D - Dodge	C - Chrysler Y - Imperial
NUMERALS INDICATE:	21 - 2 DR. SED. 23 - 2 DR. H.T.	27 - CONV. CPE. 29 - FAST BACK	41 - 4 DR. SED. 43 - 4 DR. H.T.	45 - 6 PASS. STA. WGN. 46 - 9 PASS. STA. WGN.	

AR Indicates use as required. Numerals in parentheses () refer to notes. Printed in U.S.A.
 # Indicates parts not listed in any previous parts book. ★ Indicates change or addition. January 1971

Right and left part numbers are on same line, first number is right, second number is left.

CODE	PART NAME	MODEL CODES	SEE BOTTOM NOTE								PART NUMBER
			21	23	27	29	41	43	45	46	
23-67-0 WINDSHIELD AND TAILGATE WINDOW WIPER AND WASHER Cont'd.											
23-67-194	KNOB, Wiper Switch										
	2 Speed	V, B	1	1	1	1	1	—	—	—	2864 411
	Variable Speed	V, B	1	1	1	1	1	—	—	—	2864 413
	2 Speed	L	—	1	1	—	1	—	—	—	2864 412
	3 Speed	L	—	1	1	—	1	—	—	—	2864 414
	KNOB, Washer Switch										
	Variable Speed	V, B	1	1	1	1	1	—	—	—	2864 413
	Variable Speed	L	—	1	1	—	1	—	—	—	2864 414
23-67-195	BEZEL, Wiper Switch Mtg.	L	—	1	1	—	1	—	—	—	2580 774
23-67-200	RETAINER, Wiper Parking Mechanism										
	2 Speed	P,D,C	1	1	1	1	1	1	1	1	2983 014
	RETAINER, Wiper Parking Mechanism Cover										
	2 Speed	P,D,C	1	1	1	1	1	1	1	1	2497 596
23-67-201	COVER, Wiper Parking Mechanism										
	2 Speed	P,D,C	1	1	1	1	1	1	1	1	2983 015
23-67-240	RESERVOIR, W/Shield Washer										
	2 Speed	V, B, L	1	1	1	1	1	—	—	—	2497 502
	RESERVOIR and SEAL PACKAGE, W/Shield Washer										
	Variable Speed	V, B, L	1	1	1	1	1	—	—	—	2809 011
		R, W	1	1	1	1	1	—	1	1	2889 803
		P,D,C,Y	1	1	1	1	1	1	1	1	2932 830
	RESERVOIR and SEAL PACKAGE, T/Gate Window Washer										
		R, W	—	—	—	—	—	—	1	1	3004 120
		P, D, C	—	—	—	—	—	—	1	1	2932 950
23-67-241	CAP, W/Shield Washer Reservoir	All	1	1	1	1	1	1	1	1	2497 500
	CAP, T/Gate Window Washer Reservoir										
	Filler Bezel	All	—	—	—	—	—	—	1	1	3431 009
23-67-242	FILTER, W/Shield Washer Reservoir	All	1	1	1	1	1	1	1	1	2771 976
	FILTER, T/Gate Window Washer	All	—	—	—	—	—	—	1	1	2771 976
23-67-243	BEZEL, T/Gate Window Washer Reservoir										
	Filler	R, W	—	—	—	—	—	—	1	1	2983 069
		P, D, C	—	—	—	—	—	—	1	1	2822 275
23-67-246	NOZZLE, W/Shield Washer										
		V, B, L	1	1	1	1	1	—	—	—	2926 962-3
		R, W	2	2	2	2	2	—	2	2	2889 888
		P, D, C, Y	1	1	1	1	1	1	1	1	2926 966-7
	NOZZLE, T/Gate Window Washer										
		R, W	—	—	—	—	—	—	2	2	2926 932
		P, D, C	—	—	—	—	—	—	1	1	3431 004-5
23-67-247	PLUG, Button										
	Variable Speed	V, B, L	1	1	1	1	1	—	—	—	2889 843
	3 Speed	R, W	1	1	1	1	1	—	1	1	2983 054
23-67-252	PUMP w/VALVE, W/Shield Washer (Foot Operated)										
	UP TO Approximately Feb. 3, 1969	V,B,L	1	1	1	1	1	—	—	—	2926 927
	AFTER Approximately Feb. 3, 1969	V,B,L	1	1	1	1	1	—	—	—	3431 058
	PUMP and SEAL PACKAGE, W/Shield Washer	All	1	1	1	1	1	1	1	1	2809 013
	PUMP and SEAL PACKAGE, T/Gate Window Washer	All	—	—	—	—	—	—	1	1	3004 121
	FOOT PUMP and CHECK VALVE PACKAGE, W/Shield Washer										
		V, B, L,	1	1	1	1	1	—	1	1	2932 868
		R, W	—	—	—	—	—	—	—	—	—
23-67-254	PIN, T/Gate Window Washer Arm Support										
	Pivot	All	—	—	—	—	—	—	2	2	2857 963
	PIN, T/Gate Window Washer Actuator	All	—	—	—	—	—	—	1	1	2857 965
23-67-255	GROMMET, W/Shield Washer Hose Dash										
	2 Speed	V, B, L	1	1	1	1	1	—	—	—	2889 809
23-67-258	BUTTON, W/Shield Washer Switch										
		R,W	1	1	1	1	1	—	1	1	2947 023
	BUTTON, T/Gate Window Washer Switch										
		R, W	—	—	—	—	—	—	1	1	2947 023

TYPE LETTERS Indicates

B - Barracuda

V - Valiant
L - DartR - Belvedere
W - CoronetP - Plymouth
D - DodgeC - Chrysler
Y - Imperial

NUMERALS INDICATE:

21 - 2 DR. SED.

27 - CONV. CPE.

41 - 4 DR. SED.

45 - 6 PASS. STA. WGN.

23 - 2 DR. H.T.

29 - FAST BACK

43 - 4 DR. H.T.

46 - 9 PASS. STA. WGN.

AR Indicates use as required.

Numerals in parentheses (.) refer to notes.

Printed in U.S.A.

Indicates parts not listed in any previous parts book

★ Indicates change or addition.

January 1971

Right and left part numbers are on same line, first number is right, second number is left.

CODE	PART NAME	MODEL CODES	SEE BOTTOM NOTE								PART NUMBER
			21	23	27	29	41	43	45	46	
23-67-0 WINDSHIELD AND TAILGATE WINDOW WIPER AND WASHER Cont'd.											
23-67-260	HOSE, W/Shield Washer Reservoir to Connector 9/32" O. D. x 90" lgh.	V, B, L	1	1	1	1	1	—	—	—	2197 650
	HOSE, W/Shield Washer Reservoir to Foot Pump 7/16" O.D. x 96" lgh.										
	2 Speed	V, B, L	1	1	1	1	1	—	—	—	2097 055
	HOSE, W/Shield Washer Pump to Connector 9/32" O.D. x 90" lgh.	R, W	1	1	1	1	1	—	1	1	2197 650
	HOSE, W/Shield Washer Reservoir to "Y" Connector 9/32" O.D. x 90" lgh.	P,D,C,Y	1	1	1	1	1	1	1	1	2197 650
	HOSE, W/Shield Washer Connector to Nozzle 3/16" O.D. x 127" lgh.	All	2	2	2	2	2	2	2	2	2096 623
	HOSE, "Y" Connector to Nozzle 3/16" O.D. x 127" lgh.	P,D,C,Y	1	1	1	1	1	1	1	1	2096 623
	HOSE, T/Gate Window Washer Reservoir to Nozzle 9/32" O.D. x 90" lgh.	All	—	—	—	—	—	—	2	2	2197 650
	HOSE, T/Gate Window Washer Reservoir Filling										
	Up To Approximately Dec. 1, 1968	R, W	—	—	—	—	—	—	1	1	2857 970
	After Approximately Dec. 1, 1968	R, W	—	—	—	—	—	—	1	1	2983 068
		P,D,C	—	—	—	—	—	—	1	1	2822 277
	STRAP, W/Shield Washer Hose										
	Plastic	R,W	3	3	3	3	3	—	3	3	6015 149
23-67-262	CONNECTOR, W/Shield Washer Hose	V, B, L	1	1	1	1	—	—	—	—	2258 912
		R, W	1	1	1	1	—	1	1	1	2631 702
	CONNECTOR, "Y" w/Shield Washer Hose	P,D,C,Y	1	1	1	1	1	1	1	1	2889 872
23-67-263	ACTUATOR, T/Gate Window Washer	R, W	—	—	—	—	—	—	1	1	2857 960
23-67-265	BUSHING, T/Gate Window Washer Pivot Pin	All	—	—	—	—	—	—	2	2	2857 964
	BUSHING, T/Gate Window Washer Control Arm Pin	P, D, C	—	—	—	—	—	—	1	1	3431 028
	Bushing, T/Gate Window Washer Blade Mtg. Arm										
		All	—	—	—	—	—	—	2	2	2822 270
23-67-267	SUPPORT w/BRACKET, T/Gate Window Washer	R, W	—	—	—	—	—	—	1	1	2889 800
	SUPPORT, T/Gate Reservoir Mtg.	P, D, C	—	—	—	—	—	—	1	1	2889 885
	BRACKET, T/Gate Window Washer Reservoir Mtg.	R, W	—	—	—	—	—	—	1	1	2857 975
	BRACKET w/ACTUATOR, T/Gate Window Washer	P, D, C	—	—	—	—	—	—	1	1	3431 031
	NUT w/WASHER, T/Gate Window Washer Pivot Pin Arm Support	All	—	—	—	—	—	—	2	2	120 376
	SPRING WASHER, Yoke Anti-Rattler	P, D, C	—	—	—	—	—	—	1	1	2580 944
23-67-268	U-NUT, T/Gate Window Washer Reservoir Mtg.	P, D, C	—	—	—	—	—	—	1	1	2926 937

NOTES

TYPE LETTERS Indicates	B - Barracuda	V - Valiant L - Dart	R - Belvedere W - Coronet	P - Plymouth D - Dodge	C - Chrysler Y - Imperial
NUMERALS INDICATE:	21 - 2 DR. SED. 23 - 2 DR. H.T.	27 - CONV. CPE. 29 - FAST BACK	41 - 4 DR. SED. 43 - 4 DR. H.T.	45 - 6 PASS. STA. WGN. 46 - 9 PASS. STA. WGN.	

AR Indicates use as required. Numerals in parentheses () refer to notes. Printed in U.S.A.
 # Indicates parts not listed in any previous parts book ★ Indicates change or addition. January 1971
 Right and left part numbers are on same line, first number is right, second number is left.

NOTES

Lined writing area for notes.

E SERIES TRIM SECTION

1969 PASSENGER CAR

JANUARY 1971 REVISED LOOSE-LEAF PARTS CATALOG



**SUPERSEDES
81-690-0891**
PRINTED IN U.S.A.

81-690-0936

INTERIOR TRIM

HOW TO USE INTERIOR TRIM ILLUSTRATIONS

The illustrations in this section are typical and each body style showing the Interior Trim is included.

The letters shown on the illustration indicate the description of the part and the part type code when referred to the legend which appears preceding the listing of the parts. The letters are consistent throughout the illustrations as "A" is always a Door Trim Panel, Code 23-92-5.

The numbers on the Seat illustration indicate the distribution of material and type of material used on front and rear Seats for specific trim codes. The car line models and trim codes applicable are shown above each listing.

Appearing throughout this section are part numbers containing both letters and numbers. These are good serviceable part numbers. The combination of letters and numbers merely indicates the parts are keyed to the interior color of the vehicles on which they are used.

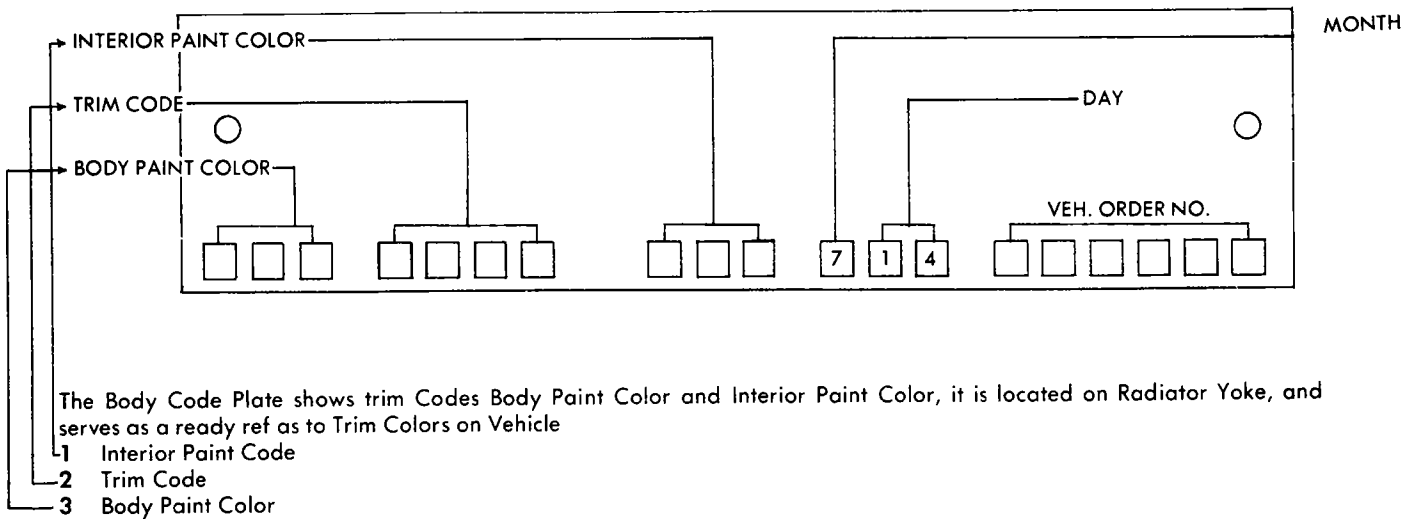
GENERAL TRIM INFORMATION

COLOR CODED OR MIXED PART NUMBERS

Appearing throughout this catalog are part numbers containing both letters and numbers. For example: 2000VB5 or 6700FX9. These are good serviceable part numbers. The combination of letters and numbers merely indicates the parts are keyed to the interior color of the vehicles on which they are used.

Trim items, such as seat backs, seat cushions and trimming materials are listed in Group 23 - Interior Trim and should be ordered by part number, description and car vehicle serial number. A special Trim Order Form is provided to expedite trim material orders. Paint and trim options are supplied in "Order Code List, Body Colors and Trim Options".

BODY CODE PLATE



HOW TO USE INTERIOR TRIM ILLUSTRATIONS

The illustrations in this section are actual and each body style showing the Interior Trim is included.

The letters shown on the illustration indicate the description of the part and the part type code when referred to the legend which appears preceding the listing of the parts. The letters are consistent throughout the illustrations as "A" is always a Door Trim Panel, Code 23-92-5.

The numbers on the illustration indicate the distribution of material and type of material used. The numbers may vary with each illustration. The legend appears on the illustration.

Appearing throughout this section are part numbers containing both letters and numbers. These are good serviceable part numbers. The combination of letters and numbers merely indicates the parts are keyed to the interior color of the vehicles on which they are used.

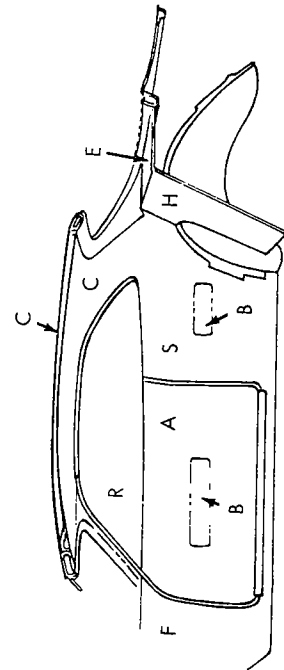
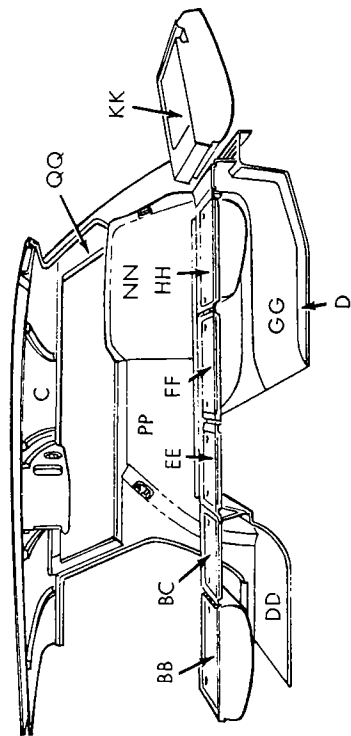
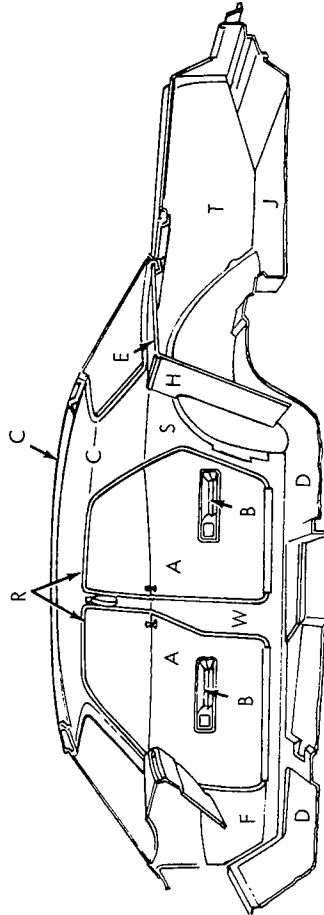
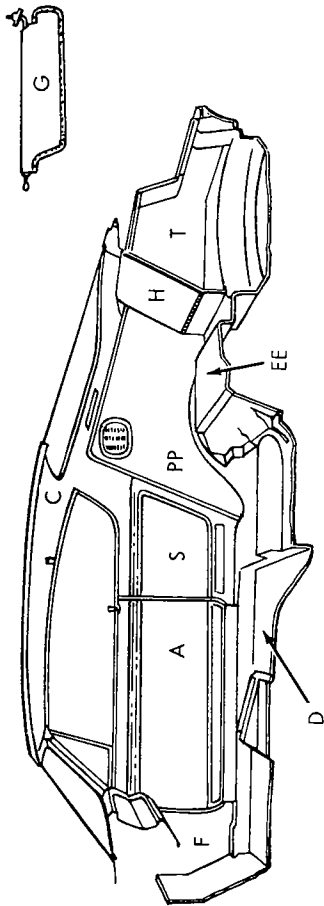
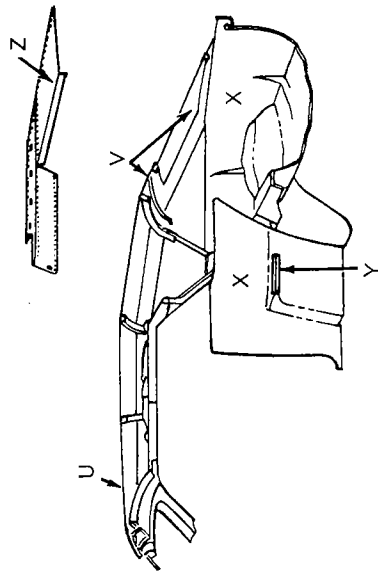
For complete information on "How to Order" Trim Parts, see Master Parts Price List.



1969 DISTRIBUTION DRAWING LEGEND

See Illustration For Letter Identification

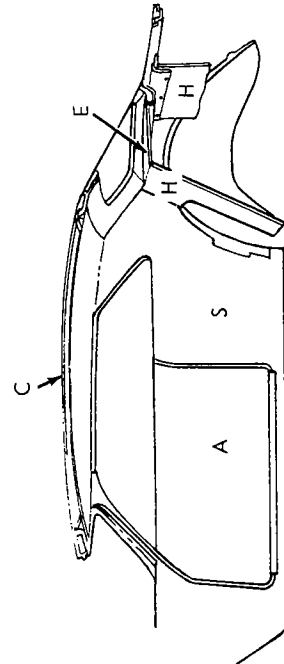
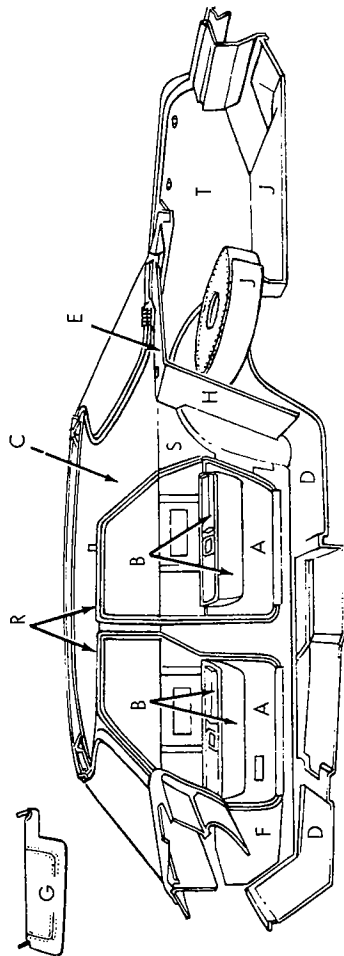
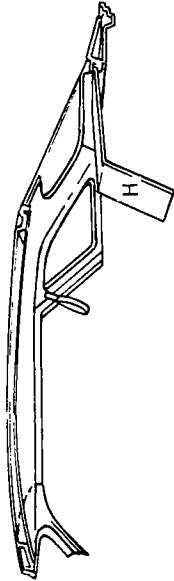
Letter	Description	Code
A	Panel, Door Trim	23-92-5
B	Arm Rest, Front Door Pad & Plate	23-76-11
	Base	23-76-9
	Arm Rest, Rear Door Pad & Plate	23-76-63
	Base	23-76-9
	Arm Rest, Rear Quarter Pad & Plate	23-76-76
	Base	23-76-9
	Arm Rest, Front Seat Back Center	23-76-34
	Rear Seat Back Center	23-76-40
C	Headlining	23-86-3
	Cover, Roof Outside	23-86-2
D	Floor Cover, Front, Carpet	23-79-3
	Rear, Carpet	23-79-33
E	Panel, Shelf Trim	23-102-3
	Shroud, Rear Seat Back	23-102-6
F	Panel, Cowl Trim	23-91-6
G	Visor	23-103-3
H	Panel, Luggage Compartment Front	23-96-3
J	Carpet, Luggage Compartment Floor	23-20-29
K	Cover, Front Seat Cushion	23-108-5
L	Cover, Front Seat Back	23-108-16
M	Shield, Front Seat Side or Back	23-108-98
N	Cover, Rear Seat Cushion	23-109-36
P	Cover, Rear Seat Back	23-109-4
Q	Insert, Rear Seat Cushion Bottom Panel	23-109-40
R	Weathercord, Door	23-113-2
	Hinge Pillar	23-113-25
	Lock Pillar	23-113-20
S	Panel, Quarter Trim	23-101-3
T	Panel or Cover, Luggage Compt. Side Lining	23-96-8
U	Top Deck and Side Quarter	23-112-108
V	Curtain, Folding Top Back	23-112-45
	Zipper, Folding Top Back Curtain	23-112-46
W	Cover, Center Pillar	23-99-4
	Cover, Rear Upper Pillar	23-99-38
X	Well, Pocket Panel, Pocket Panel Cover, Pocket Shelf Panel, Folding Top	23-112-153
Y	Pad, Pocket Panel Arm Rest	23-112-60
Z	Dust Boot, Folding Top	23-112-12
AA	Insert, Back of Front Seat Back	23-108-32
BB	Insert, 2nd. Sea. Back Panel	23-109-5
BC	Insert, 2nd. Seat Back Support Panel	23-109-5
CD	Moulding, Headlining Finish	23-86-35
DD	Insert, Axle Kick-Up Center Floor Pan Rear Panel	23-79-33
EE	Insert, Center and Rear Floor Pan Cover Panel	23-79-33
EG	Insert, Rear Floor Pan Cover Panel (6 pass. only)	23-79-33
FF	Insert, 3rd. Seat Back Support Panel	23-109-5
GG	Cover, Rear Floor, Well Side	23-79-33
HH	Insert, 3rd. Seat Back Panel	23-109-5
JJ	Insert, Tailgate Sill Panel	23-79-79
KK	Insert, Tailgate Access Hole Cover Panel	23-79-79
LL	Insert, Tailgate Inside Panel	23-79-79
MM	Assist Strap, Tailgate	23-77-3
NN	Cover, Spare Tire	23-79-64
PP	Cover, Wheelhouse	23-96-8
QQ	Cover, Tailgate Opening Pillar	23-99-41



19T0515

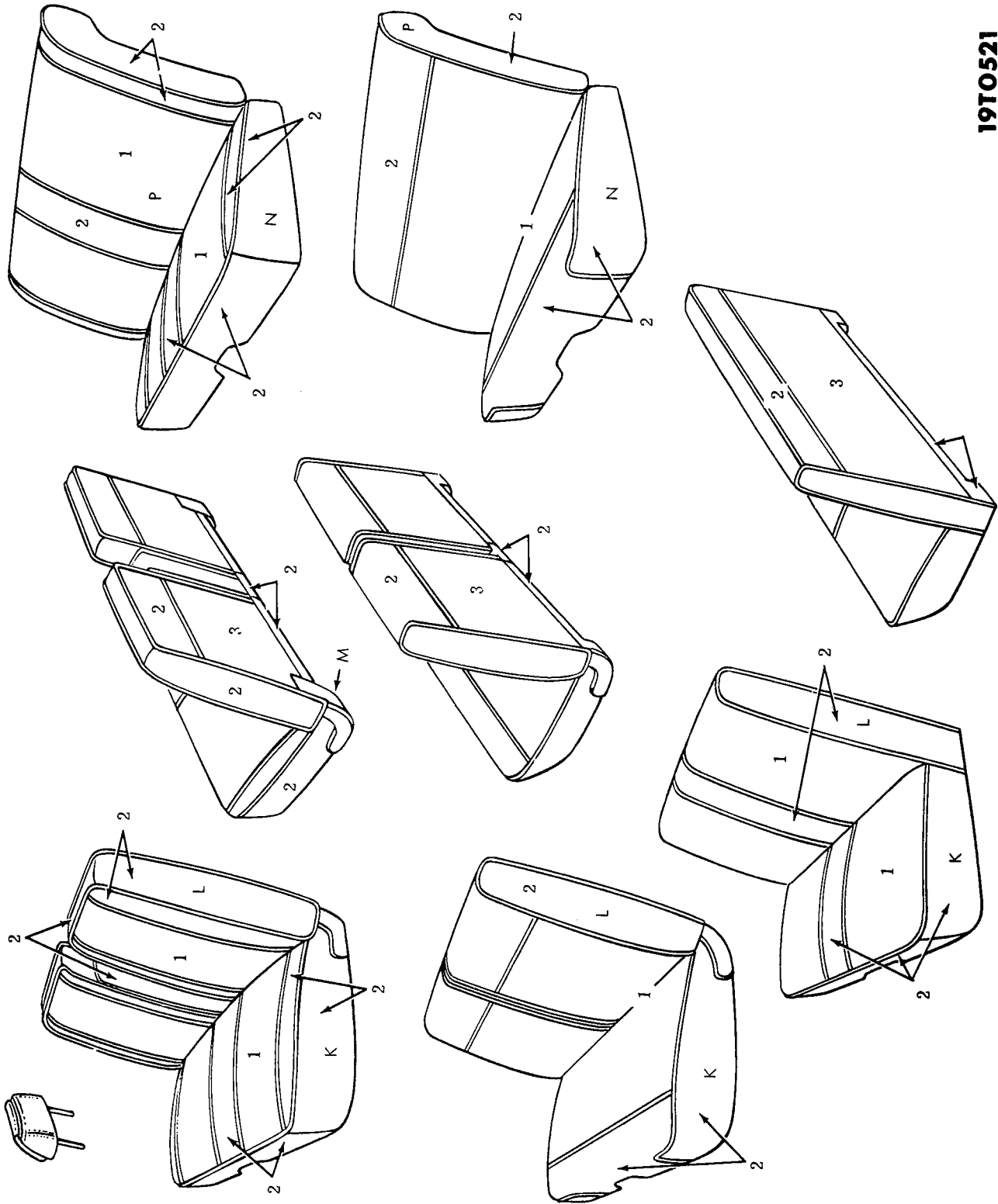
VALIANT, DART, BARRACUDA, BELVEDERE, CORONET,
PLYMOUTH, DODGE AND CHRYSLER DOOR AND QUARTER AREA

19T0520



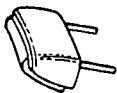
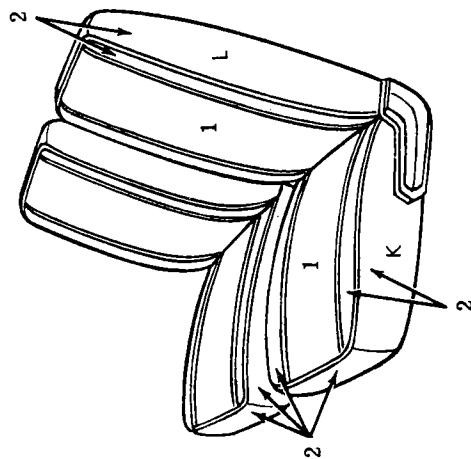
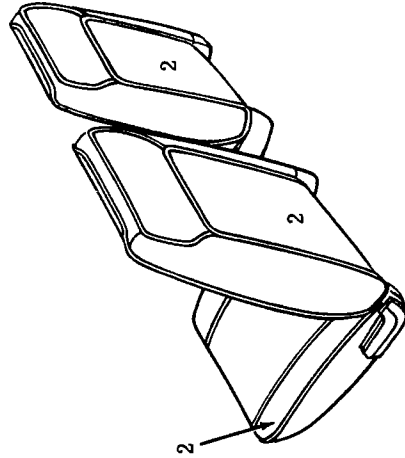
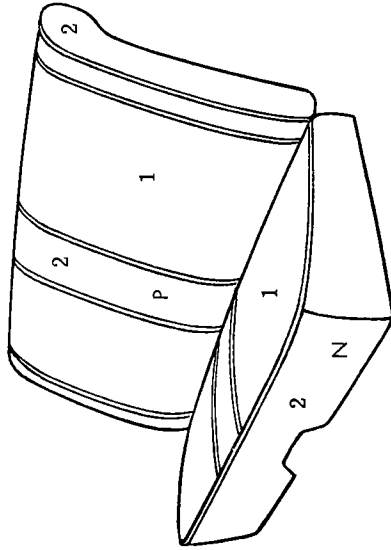
IMPERIAL DOOR AND QUARTER AREA

19T0521



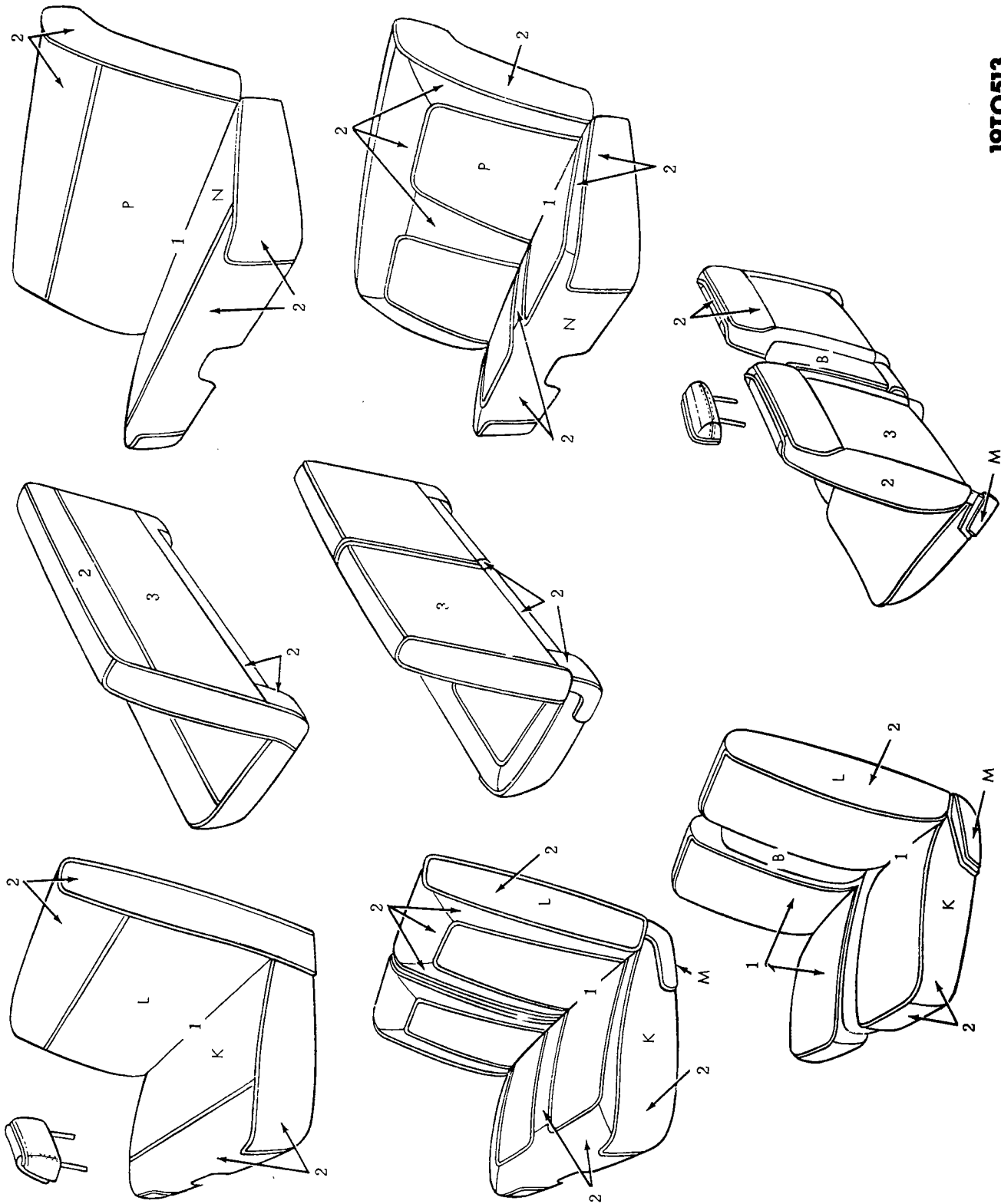
VALIANT, DART AND BARRACUDA SEAT AREA

19T0516



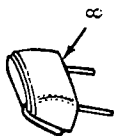
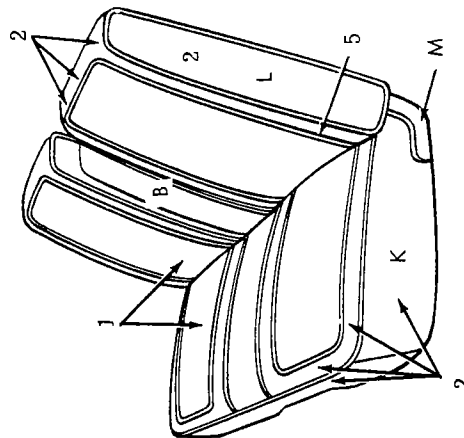
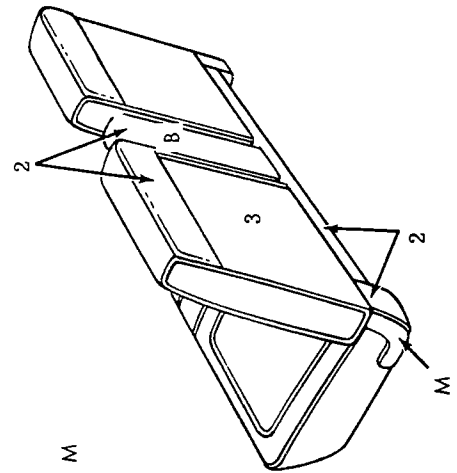
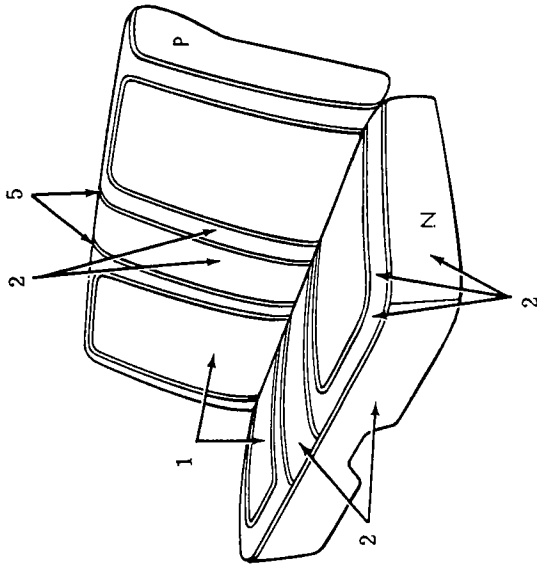
VALIANT, DART AND BARRACUDA SEAT AREA

1970513



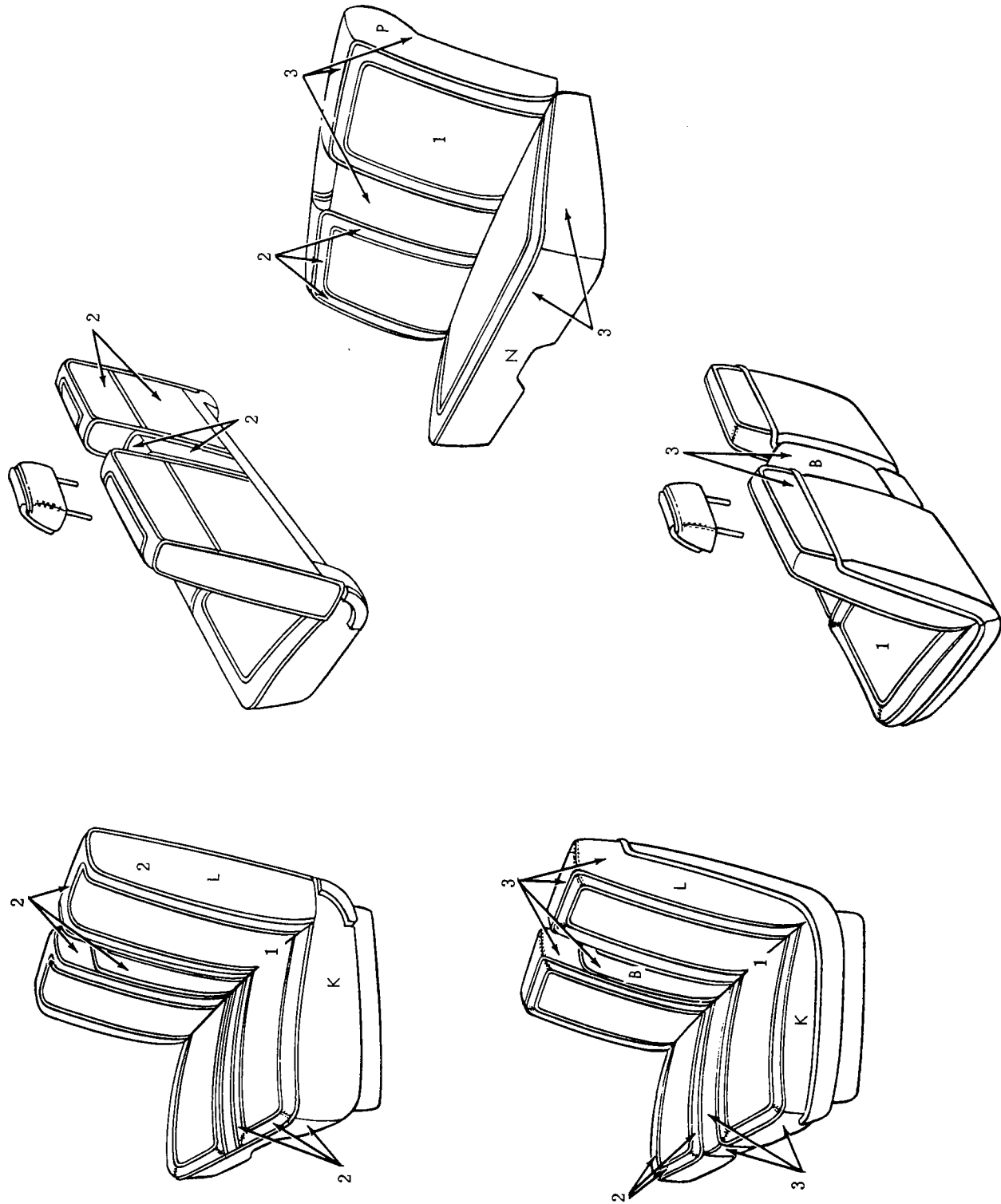
BELVEDERE AND CORONET SEAT AREA

19T0522



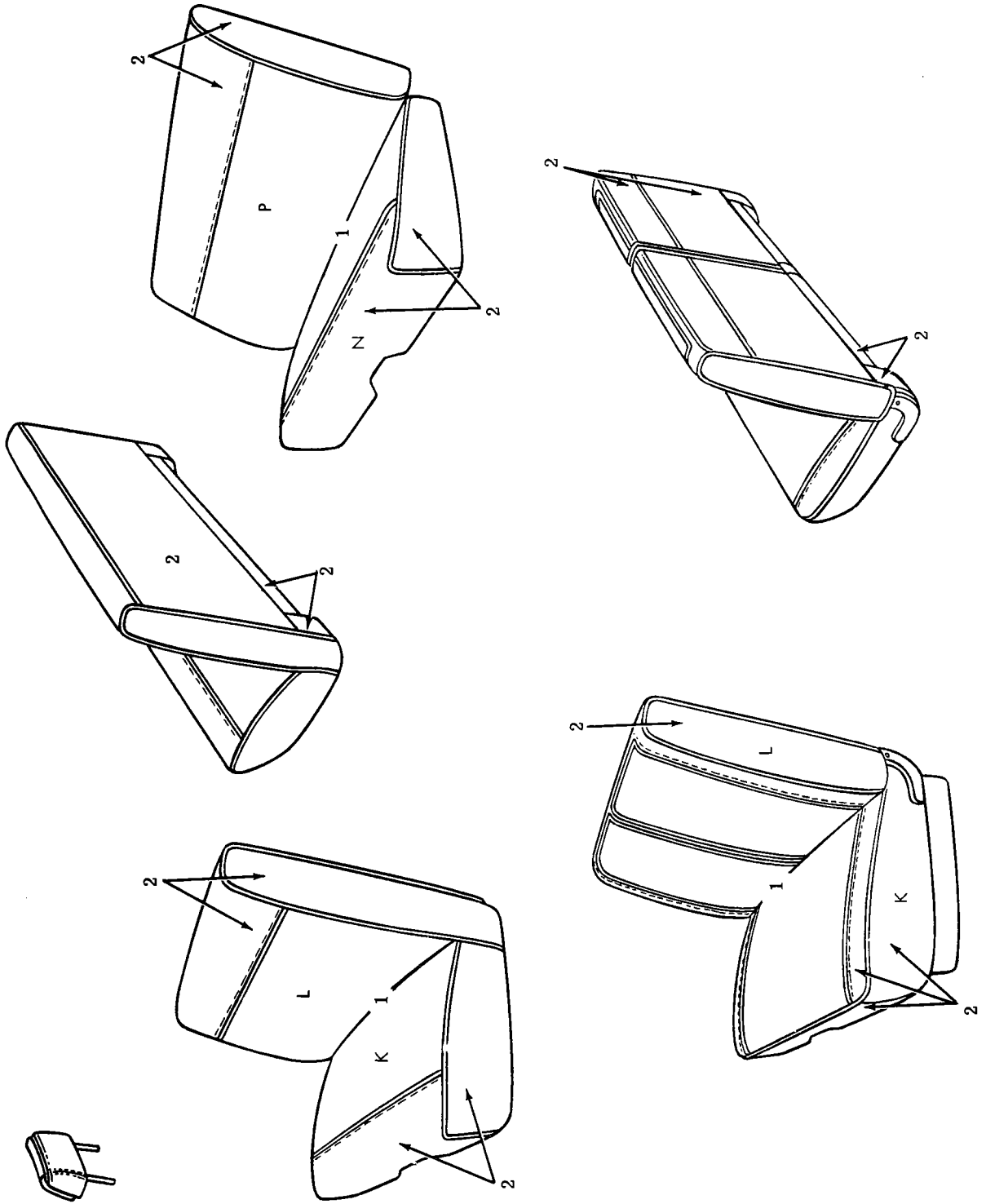
BELVEDERE AND CORONET SEAT AREA

19T0518



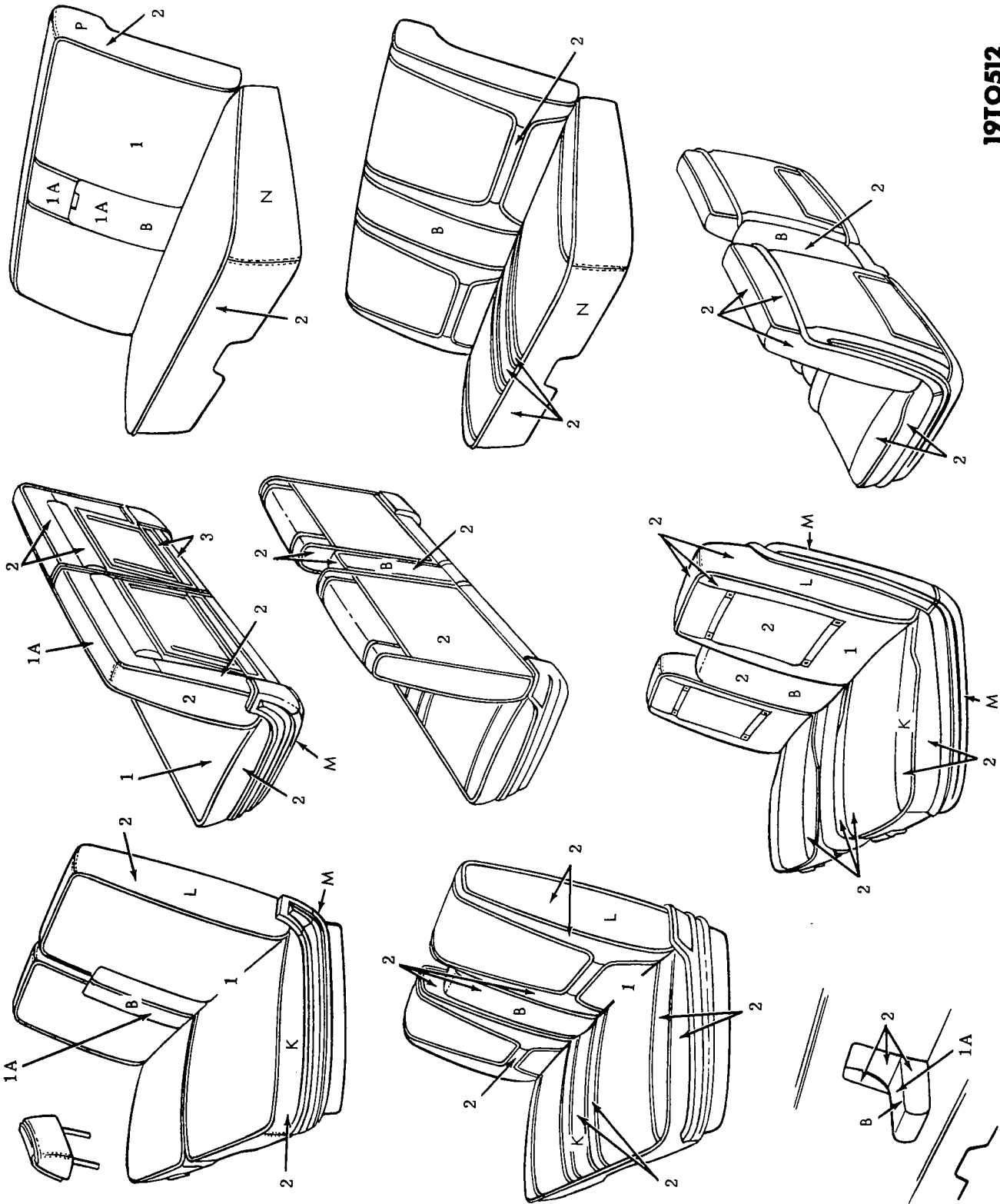
PLYMOUTH AND DODGE SEAT AREA

19T0517

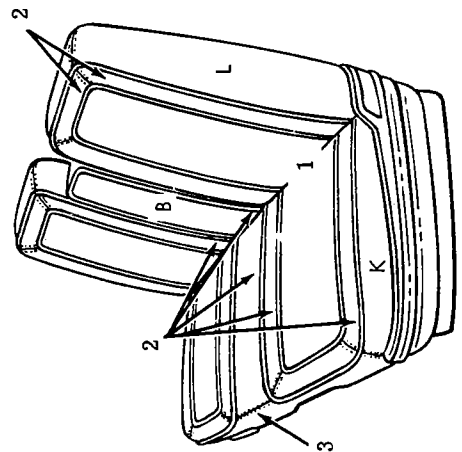
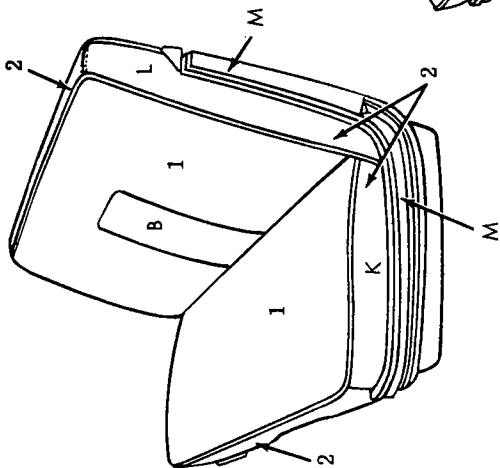
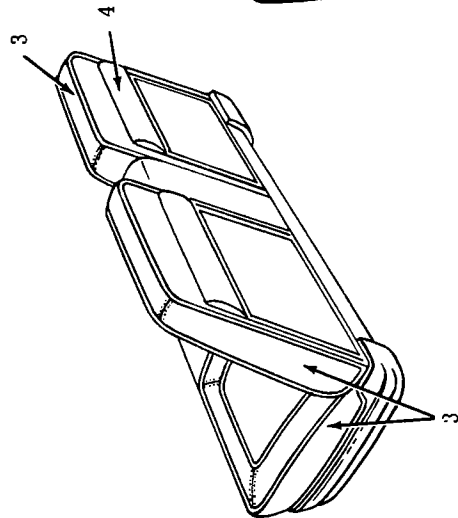
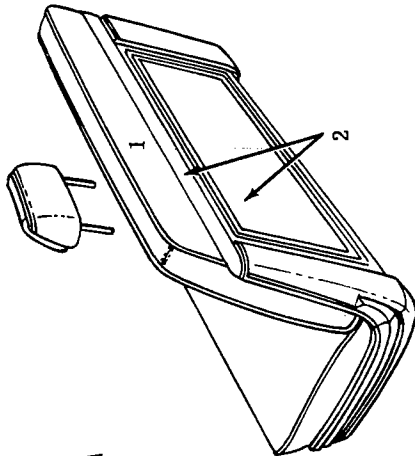
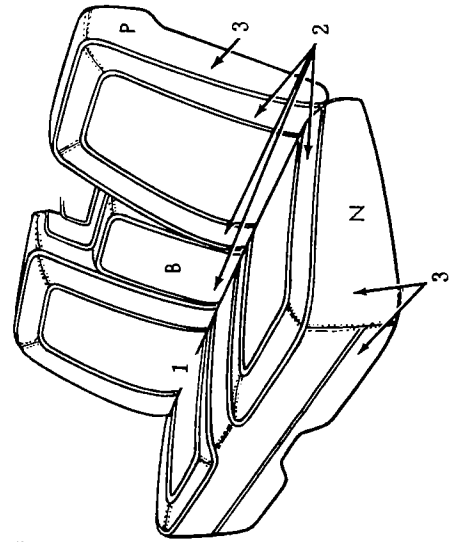
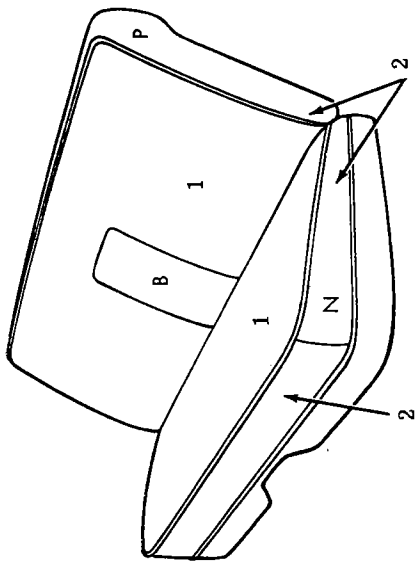


PLYMOUTH AND DODGE SEAT AREA

19T0512



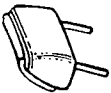
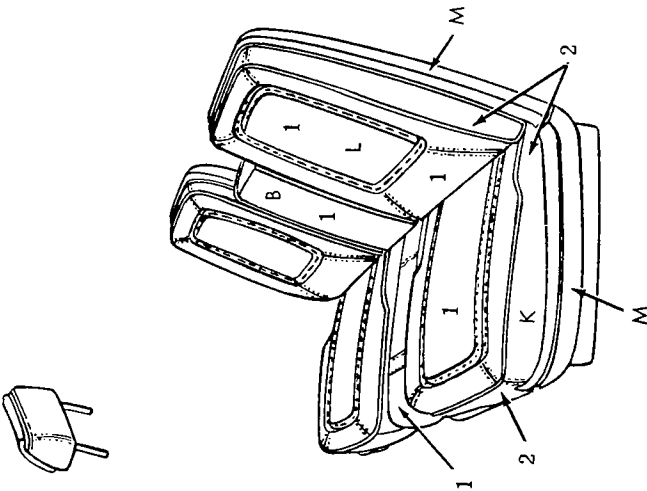
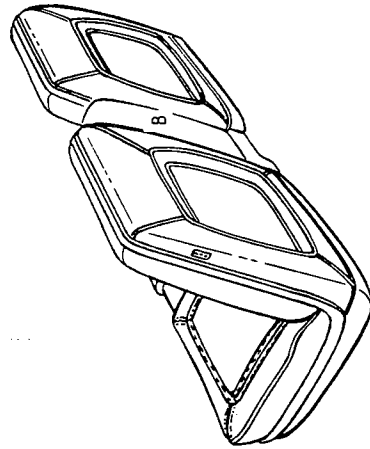
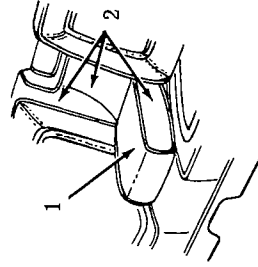
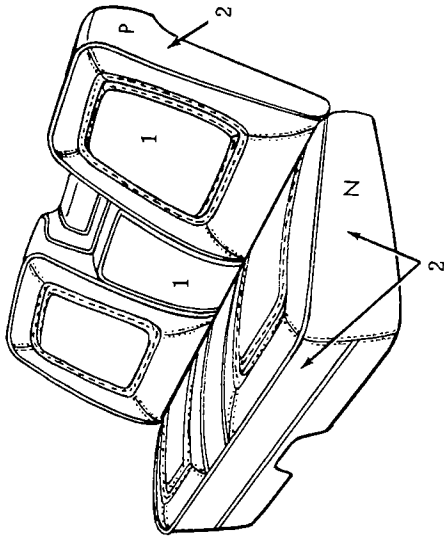
CHRYSLER SEAT AREA



19T0519

IMPERIAL SEAT AREA

19T0514



IMPERIAL SEAT AREA

BELVEDERE

Distribution Drawing Legend Pages Appear Following Illustration Section.

1969 BELVEDERE ER-M-P-S 2 DOOR SEDAN, 4 DOOR SEDAN,
2 DOOR HARD TOP, CONVERTIBLE

VINYL TRIM

PART NUMBERS AND COLORS

ITEM	TYPE OF MATERIAL	PART TYPE CODE	MAT'L WIDTH	BLUE M6B, P6B, P6D, P3B	GREEN M6G, P6G, P3G	RED P6R	PEWTER AND BLACK M6S, P6S
1	Not Serviced - See Part Type Codes 23-108-5 and 23-108-16						
2	Vinyl 34.5 oz.	23-114-15	54 inches	0672 EB7	0672 EF8	0672 ER7	0672 EA6

PART NUMBERS AND COLORS

ITEM	TYPE OF MATERIAL	PART TYPE CODE	MAT'L WIDTH	TAN M6T, P6T, P3T	WHITE M6W, P6W	WHITE M6C, P6C, P6H	
1	Not Serviced - See Part Type Codes 23-108-5 and 23-108-16						
2	Vinyl 34.5 oz.	23-114-15	54 inches	0672 ET5	0672 EW1	0672 EW1	

PART NUMBERS AND COLORS

ITEM	TYPE OF MATERIAL	PART TYPE CODE	MAT'L WIDTH	WHITE M6F, P6F	WHITE M6H, P6H	WHITE P6V	BLACK M6X, P6X, P3X
1	Not Serviced - See Part Type Codes 23-108-5 and 23-108-16						
2	Vinyl 34.5 oz.	23-114-15	54 inches	0672 EW1	0672 EW1	0672 EW1	0672 EX9

1969 BELVEDERE ER-L-K 4 DOOR SEDAN

CLOTH AND VINYL TRIM

PART NUMBERS AND COLORS

ITEM	TYPE OF MATERIAL	PART TYPE CODE	MAT'L WIDTH	BLUE L1B	CHAMPAGNE AND BLACK LIT		
1	Body Cloth	23-114-2	54 inches	0127 EB4	0127 ET5		
2	Vinyl 34.5 oz.	23-114-15	54 inches	0672 EB3	0672 ET5		
3	Vinyl 37 oz.	23-114-15	58 inches	0676 EB3	0676 ET5		

1969 BELVEDERE ER-L-K-M 2 DOOR SEDAN

VINYL TRIM

PART NUMBERS AND COLORS

ITEM	TYPE OF MATERIAL	PART TYPE CODE	MAT'L WIDTH	BLUE M2B	TAN M2T	BLACK M2X	
1	Not Serviced - See Part Type Codes 23-108-5 and 23-108-16						
2	Vinyl 34.5 oz.	23-114-15	54 inches	0672 EB3	0672 ET5	0672 EX9	
3	Vinyl 37 oz.	23-114-15	58 inches	0676 EB3	0676 ET5	0676 EX9	

1969 BELVEDERE ER-L-K 2 DOOR SEDAN, 4 DOOR SEDAN

CLOTH AND VINYL TRIM

PART NUMBERS AND COLORS

ITEM	TYPE OF MATERIAL	PART TYPE CODE	MAT'L WIDTH	TAN K1T			
1	Body Cloth	23-114-2	62 inches	0124 ET7			
2	Vinyl 34.5 oz.	23-114-15	54 inches	0672 ET5			
3	Vinyl 37 oz.	23-114-15	58 inches	0676 ET5			

BELVEDERE

Distribution Drawing Legend Pages Appear Following Illustration Section.

1969 BELVEDERE ER-H 4 DOOR SEDAN, 2 DOOR HARD TOP

CLOTH AND VINYL TRIM

PART NUMBERS AND COLORS

ITEM	TYPE OF MATERIAL	PART TYPE CODE	MAT'L WIDTH	BLUE H1B	GREEN H1G	CHAMPAGNE AND BLACK H1T	BLACK H1X
1	Not Serviced - See Part Type Codes 23-108-5 and 23-108-16						
2	Vinyl 34.5 oz.	23-114-15	54 inches	0672 EB3	0672 EF3	0672 EL2	0672 EX9
3	Vinyl 37 oz.	23-114-15	58 inches	0702 EB3	0702 EF3	0702 EL3	0702 EX9

1969 BELVEDERE ER-L-M-H-P 2 DOOR SEDAN, 4 DOOR SEDAN,
STATION WAGON, 2 DOOR HARD TOP, CONVERTIBLE

VINYL TRIM

PART NUMBERS AND COLORS

ITEM	TYPE OF MATERIAL	PART TYPE CODE	MAT'L WIDTH	BLUE H2B, X2B, P2B, F2Q	GREEN H2G, P2G	PEWTER AND BLACK H2S, P2S	TAN H2T, X2T, P2T
1	Not Serviced - See Part Type Codes 23-108-5 and 23-108-16						
2	Vinyl 34.5 oz.	23-114-15	54 inches	0672 EB7	0672 EF8	0672 EA6	0672 ET6
3	Vinyl 37 oz.	23-114-15	58 inches	0702 EB7	0702 EF8	0702 EA5	0702 ET4

PART NUMBERS AND COLORS

ITEM	TYPE OF MATERIAL	PART TYPE CODE	MAT'L WIDTH	BLACK H2X, P2X, X2X	WHITE H2C, H2F, H2H, H2W	WHITE P2C, P2F, P2H	BLUE
1	Not Serviced - See Part Type Codes 23-108-5 and 23-108-16						
2	Vinyl 34.5 oz.	23-114-15	54 inches	0672 EX9	0672 EW1	0672 EW1	0672 EB7
3	Vinyl 37 oz.	23-114-15	58 inches	0702 EX9	0702 EW1	0702 EW1	0676 EB7

1969 BELVEDERE ER-L-K STATION WAGON (6 PASS.)

VINYL TRIM

PART NUMBERS AND COLORS

ITEM	TYPE OF MATERIAL	PART TYPE CODE	MAT'L WIDTH	BLUE L2B	TAN L2T	BLACK D2X	
1	Vinyl 42.4 oz.	23-114-15	58 inches	0712 EB7	0712 ET4	0671 DX9	
2	Vinyl 34.5 oz.	23-114-15	54 inches	0672 EB3	0672 ET5	0672 EX9	
3	Vinyl 37 oz.	23-114-15	58 inches	0676 EB7	0676 ET5	0672 EX9	
4	Vinyl 45.3 oz.	23-114-15	62 inches	0713 EB7	0713 ET4	0678 EX9	

1969 BELVEDERE ER-L-P-T 2 DOOR SEDAN, 4 DOOR SEDAN

VINYL TRIM

PART NUMBERS AND COLORS

ITEM	TYPE OF MATERIAL	PART TYPE CODE	MAT'L WIDTH	TAN K2T, T2T	BLACK T2X	BLACK D2X	
1	Vinyl 34.5 oz.	23-114-15	54 inches	0672 ET8	0672 EX9	0672 EX9	
2	Vinyl 34.5 oz.	23-114-15	54 inches			0672 EX9	
3	Vinyl 34.5 oz.	23-114-15	54 inches			0672 EX9	
4	Vinyl 37 oz.	23-114-15	54 inches			0678 EX9	

NOTES

PLYMOUTH

Distribution Drawing Legend Pages Appear Following Illustration Section.

1969 PLYMOUTH EP-E-K 2 DOOR SEDAN, 4 DOOR SEDAN

CLOTH AND VINYL TRIM

PART NUMBERS AND COLORS

ITEM	TYPE OF MATERIAL	PART TYPE CODE	MAT'L WIDTH	TAN KIT			
1	Body Cloth	23-114-2	62 inches	0124 ET7			
2	Vinyl 34.5 oz.	23-114-15	54 inches	0672 ET5			

1969 PLYMOUTH EP-E-K 2 DOOR SEDAN, 4 DOOR SEDAN

CLOTH AND VINYL TRIM

PART NUMBERS AND COLORS

ITEM	TYPE OF MATERIAL	PART TYPE CODE	MAT'L WIDTH	BLUE E'B	CHAMPAGNE AND BLACK E1L		
1	Body Cloth	23-114-2	65 inches	0100 EB4	0100 E13		
2	Vinyl 34.5 oz.	23-114-15	54 inches	0672 EB3	0672 Z12		

1969 PLYMOUTH EP-E-K STATION WAGON (6 PASS.)

VINYL TRIM

PART NUMBERS AND COLORS

ITEM	TYPE OF MATERIAL	PART TYPE CODE	MAT'L WIDTH	BLUE E2B	CHAMPAGNE AND BLACK E2L	RED E2R	
1	Vinyl 43 oz.	23-114-15	55 inches	0674 EB3	0674 E13	0674 ER6	
2	Vinyl 34.5 oz.	23-114-15	54 inches	0672 EB3	0672 Z12	0672 ER6	

1969 PLYMOUTH EP-L-K 4 DOOR SEDAN

CLOTH AND VINYL TRIM

PART NUMBERS AND COLORS

ITEM	TYPE OF MATERIAL	PART TYPE CODE	MAT'L WIDTH	BLUE L1B	GREEN L1G	CHAMPAGNE AND BLACK L1L	
1	Not Serviced - See Part Type Codes 23-108-5 and 23-108-16						
2	Vinyl 34.5 oz.	23-114-15	54 inches	0672 EB3	0672 EF3	0672 Z12	

1969 PLYMOUTH EP-L-K 2 DOOR SEDAN, 4 DOOR SEDAN, STATION WAGON

VINYL TRIM

PART NUMBERS AND COLORS

ITEM	TYPE OF MATERIAL	PART TYPE CODE	MAT'L WIDTH	BLUE L2B	RED L2R	TAN L2T	WHITE L2W
1	Not Serviced - See Part Type Codes 23-108-5 and 23-108-16						
2	Vinyl 34.5 oz.	23-114-15	54 inches	0672 EB3	0672 ER7	0672 ET5	0672 EW1

PART NUMBERS AND COLORS

ITEM	TYPE OF MATERIAL	PART TYPE CODE	MAT'L WIDTH	BLACK L2X			
1	Not Serviced - See Part Type Codes 23-108-5 and 23-108-16						
2	Vinyl 34.5 oz.	23-114-15	54 inches	0672 EX9			

PLYMOUTH

Distribution Drawing Legend Pages Appear Following Illustration Section.

1969 PLYMOUTH EP-M 4 DOOR SEDAN, SP. 2 DOOR HARD TOP, 2 DOOR HARD TOP, 4 DOOR HARD TOP

CLOTH AND VINYL TRIM

PART NUMBERS AND COLORS

ITEM	TYPE OF MATERIAL	PART TYPE CODE	MAT'L WIDTH	BLUE M1D	GREEN M1G	CHAMPAGNE AND BLACK M1L	RED M1R
1	Not Serviced - See Part Type Codes 23-108-5 and 23-108-16						
2	Vinyl 34.5 oz.	23-114-15	54 inches	0672 EB7	0672 EF8	0672 EL3	0672 ER7

PART NUMBERS AND COLORS

ITEM	TYPE OF MATERIAL	PART TYPE CODE	MAT'L WIDTH	BLACK M1X			
1	Not Serviced - See Part Type Codes 23-108-5 and 23-108-16						
2	Vinyl 34.5 oz.	23-114-15	54 inches	0672 EX9			

1969 PLYMOUTH EP-M 4 DOOR SEDAN, STATION WAGON, 4 DOOR HARD TOP,
2 DOOR HARD TOP, CONVERTIBLE

VINYL TRIM

PART NUMBERS AND COLORS

ITEM	TYPE OF MATERIAL	PART TYPE CODE	MAT'L WIDTH	BLUE M4D	GREEN M4G	RED M4R	SILVER M4S
1	Not Serviced - See Part Type Codes 23-108-5 and 23-108-16						
2	Vinyl 34.5 oz.	23-114-15	54 inches	0672 EB7	0672 EF8	0672 ER7	0672 EA4

PART NUMBERS AND COLORS

ITEM	TYPE OF MATERIAL	PART TYPE CODE	MAT'L WIDTH	TAN M4T	WHITE M4W	BLACK M4X	
1	Not Serviced - See Part Type Codes 23-108-5 and 23-108-16						
2	Vinyl 34.5 oz.	23-114-15	54 inches	0672 ET5	0672 EW1	0672 EX9	

1969 PLYMOUTH EP-M 4 DOOR SEDAN, 4 DOOR HARD TOP, STATION WAGON

VINYL TRIM

PART NUMBERS AND COLORS

ITEM	TYPE OF MATERIAL	PART TYPE CODE	MAT'L WIDTH	BLACK M8X			
1	Not Serviced - See Part Type Codes 23-108-5 and 23-108-16						
2	Vinyl 34.5 oz.	23-114-15	54 inches	0672 EX9			

1969 PLYMOUTH EP-H 2 DOOR HARD TOP, CONVERTIBLE

VINYL TRIM

PART NUMBERS AND COLORS

ITEM	TYPE OF MATERIAL	PART TYPE CODE	MAT'L WIDTH	BLUE H6D	GREEN H6G	RED H6R	SILVER H6S
1	Not Serviced - See Part Type Codes 23-108-5 and 23-108-16						
2	Vinyl 34.5 oz.	23-114-15	54 inches	0672 EB7	0672 EF8	0672 ER7	0672 EA4

PART NUMBERS AND COLORS

ITEM	TYPE OF MATERIAL	PART TYPE CODE	MAT'L WIDTH	TAN H6T	WHITE H6W	BLACK H6X	
1	Not Serviced - See Part Type Codes 23-108-5 and 23-108-16						
2	Vinyl 34.5 oz.	23-114-15	54 inches	0672 ET5	0672 EW1	0672 EX9	

PLYMOUTH

Distribution Drawing Legend Pages Appear Following Illustration Section.

1969 PLYMOUTH EP-P. SP. 2 DOOR HARD TOP, 2 DOOR HARD TOP, 4 DOOR HARD TOP

CLOTH AND VINYL TRIM

PART NUMBERS AND COLORS

ITEM	TYPE OF MATERIAL	PART TYPE CODE	MAT'L WIDTH	BLUE P3D	GREEN P3G	BLACK P3X	
1	Not Serviced - See Part Type Codes 23-108-5 and 23-108-16						
2	Vinyl 50 oz.	23-114-15	54 inches	0714 EB7	0714 EF8	0714 EX9	
3	Vinyl 34.5 oz.	23-114-15	54 inches	0672 EB7	0672 EF8	0672 EX9	

1969 PLYMOUTH EP-P. SP. 2 DOOR HARD TOP, 2 DOOR HARD TOP, 4 DOOR HARD TOP

VINYL TRIM

PART NUMBERS AND COLORS

ITEM	TYPE OF MATERIAL	PART TYPE CODE	MAT'L WIDTH	TAN P4T	WHITE P4W	BLACK P5X	BLACK P6X, P8X
1	Not Serviced - See Part Type Codes 23-108-5 and 23-108-16						
2	Vinyl 50 oz.	23-114-15	54 inches	0714 ET5	0714 EW1	0714 EX9	0714 EX9
3	Vinyl 34.5 oz.	23-114-15	54 inches	0672 ET5	0672 EW1	0672 EX9	0672 EX9

1969 PLYMOUTH EP-P. SP. 2 DOOR HARD TOP, 2 DOOR HARD TOP, 4 DOOR HARD TOP

VINYL AND LEATHER TRIM

PART NUMBERS AND COLORS

ITEM	TYPE OF MATERIAL	PART TYPE CODE	MAT'L WIDTH	BLACK PPX			
1	Not Serviced - See Part Type Codes 23-108-5 and 23-108-16						
2	Vinyl 34.5 oz.	23-114-15	54 inches	0672 EX9			

1969 PLYMOUTH EP-E-K-T 2 DOOR SEDAN, 4 DOOR SEDAN

VINYL TRIM

PART NUMBERS AND COLORS

ITEM	TYPE OF MATERIAL	PART TYPE CODE	MAT'L WIDTH	TAN K2T	GRAY K1A, K2A		
1	Vinyl 34.5 oz.	23-114-15	54 inches	0672 ET8	0672 EA9		

NOTES

VALIANT

Distribution Drawing Legend Pages Appear Following Illustration Section.

1969 VALIANT EV-L 2 DOOR SEDAN, 4 DOOR SEDAN

CLOTH AND VINYL TRIM

ITEM	TYPE OF MATERIAL	PART TYPE CODE	MAT'L WIDTH	PART NUMBERS AND COLORS		
				BLUE L1B	RED L1R	BLACK L1X
1	Body Cloth	23-114-2	60 inches	0135 EB7	0135 ER7	0135 EX9
2	Vinyl 34.5 oz.	23-114-15	54 inches	0672 EB7	0672 ER7	0672 EX9
3	Vinyl 37 oz.	23-114-15	58 inches	0678 EB7	0678 ER6	0678 EX9

1969 VALIANT EV-L 2 DOOR SEDAN, 4 DOOR SEDAN

VINYL TRIM

ITEM	TYPE OF MATERIAL	PART TYPE CODE	MAT'L WIDTH	PART NUMBERS AND COLORS		
				BLUE L2B	TAN L2T	BLACK L2X
1	Vinyl 32 oz.	23-114-15	54 inches	0701 EB3	0701 ET4	0701 EA8
2	Vinyl 34.5 oz.	23-114-15	54 inches	0672 EB7	0672 ET5	0672 EX9
3	Vinyl 37 oz.	23-114-15	58 inches	0678 EB3	0678 ET4	0678 EA8

1969 VALIANT EV-L-H 2 DOOR SEDAN, 4 DOOR SEDAN

CLOTH AND VINYL TRIM

ITEM	TYPE OF MATERIAL	PART TYPE CODE	MAT'L WIDTH	PART NUMBERS AND COLORS		
				BLUE H1B, D1B	GREEN H1G	BLACK H1X, D1X
1	Body Cloth	23-114-2	72 inches	0102 EB4	0102 EF4	0102 EX9
2	Vinyl 34.5 oz.	23-114-15	54 inches	0672 EB7	0672 EF3	0672 EX9
3	Vinyl 37 oz.	23-114-15	58 inches	0702 EB7	0702 EF3	0702 EX9

1969 VALIANT EV-L-H 4 DOOR SEDAN

VINYL TRIM

ITEM	TYPE OF MATERIAL	PART TYPE CODE	MAT'L WIDTH	PART NUMBERS AND COLORS			
				BLUE H2B, D2B	RED H2R, D2R	BLACK H2X, D2X	GOLD H2Y
1	Not Serviced - See Part Type Codes 23-108-5 and 23-108-16						
2	Vinyl 34.5 oz.	23-114-15	54 inches	0672 EB7	0672 ER7	0672 EX9	0672 EY4
3	Vinyl 37 oz.	23-114-15	58 inches	0702 EB7	0702 ER6	0702 EX9	0702 EY4

1969 VALIANT EV-L-H 2 DOOR SEDAN, 4 DOOR SEDAN

VINYL TRIM

ITEM	TYPE OF MATERIAL	PART TYPE CODE	MAT'L WIDTH	PART NUMBERS AND COLORS			
				BLUE H4B, D4B	RED H4R, D4R	BLACK H4X, D4X	GOLD H4Y
1	Not Serviced - See Part Type Codes 23-108-5 and 23-108-16						
2	Vinyl 34.5 oz.	23-114-15	54 inches	0672 EB7	0672 ER7	0672 EX9	0672 EY4
3	Vinyl 37 oz.	23-114-15	58 inches	0702 EB7	0702 ER6	0702 EX9	0702 EY4

1969 VALIANT EV-H 2 DOOR SEDAN, 4 DOOR SEDAN

VINYL TRIM

ITEM	TYPE OF MATERIAL	PART TYPE CODE	MAT'L WIDTH	PART NUMBERS AND COLORS			
				BLACK H6X	WHITE H6C, H6E	WHITE H6F, H6V	WHITE H6W
1	Not Serviced - See Part Type Codes 23-108-5 and 23-108-16						
2	Vinyl 34.5 oz.	23-114-15	54 inches	0672 EX9	0672 EW1	0672 EW1	0672 EW1

BARRACUDA

Distribution Drawing Legend Pages Appear Following Illustration Section.

1969 BARRACUDA EB-H 2 DOOR HARD TOP, SPECIAL 2 DOOR HARD TOP

VINYL TRIM

PART NUMBERS AND COLORS

ITEM	TYPE OF MATERIAL	PART TYPE CODE	MAT'L WIDTH	BLUE L2B, H2B	RED L2R, H2R	BLACK L2X, H2X	
1	Not Serviced - See Part Type Codes 23-108-5 and 23-108-16						
2	Vinyl 34.5 oz.	23-114-15	54 inches	0672 EB5	0672 ER7	0672 EX9	

1969 BARRACUDA EB-H 2 DOOR HARD TOP, SPECIAL 2 DOOR HARD TOP

VINYL TRIM

PART NUMBERS AND COLORS

ITEM	TYPE OF MATERIAL	PART TYPE CODE	MAT'L WIDTH	BLUE H4B	WHITE H4C	WHITE H4F	WHITE H4V
1	Not Serviced - See Part Type Codes 23-108-5 and 23-108-16						
2	Vinyl 34.5 oz.	23-114-15	54 inches	0672 EB5	0672 EW1	0672 EW1	0672 EW1
3	Vinyl 37 oz.	23-114-15	58 inches	0676 EB5	0676 EW1	0676 EW1	0676 EW1

PART NUMBERS AND COLORS

ITEM	TYPE OF MATERIAL	PART TYPE CODE	MAT'L WIDTH	WHITE H4W	BLACK L2X, H4X	RED L2R	
1	Not Serviced - See Part Type Codes 23-108-5 and 23-108-16						
2	Vinyl 34.5 oz.	23-114-15	54 inches	0672 EX9	0672 ER7		
3	Vinyl 37 oz.	23-114-15	58 inches	0676 EX9	0676 ER7		

1969 BARRACUDA EB-H 2 DOOR HARD TOP, SPECIAL 2 DOOR HARD TOP, CONVERTIBLE

VINYL TRIM

PART NUMBERS AND COLORS

ITEM	TYPE OF MATERIAL	PART TYPE CODE	MAT'L WIDTH	BLUE H6B	WHITE H6C	WHITE H6F	GREEN H6G
1	Not Serviced - See Part Type Codes 23-108-5 and 23-108-16						
2	Vinyl 34.5 oz.	23-114-15	54 inches	0672 EB5	0672 EW1	0672 EW1	0672 EF8

PART NUMBERS AND COLORS

ITEM	TYPE OF MATERIAL	PART TYPE CODE	MAT'L WIDTH	RED H6R	WHITE H6V	WHITE H6W	BLACK H6X
1	Not Serviced - See Part Type Codes 23-108-5 and 23-108-16						
2	Vinyl 34.5 oz.	23-114-15	54 inches	0672 ER7	0672 EW1	0672 EW1	0672 EX9

1969 BARRACUDA EB-H 2 DOOR HARD TOP, SPECIAL 2 DOOR HARD TOP, CONVERTIBLE

VINYL TRIM

PART NUMBERS AND COLORS

ITEM	TYPE OF MATERIAL	PART TYPE CODE	MAT'L WIDTH	BLUE D6B	GREEN D6G, F6J	TAN AND GREEN D6J	LIGHT GOLD D6P, F6P
1	Not Serviced - See Part Type Codes 23-108-5 and 23-108-16						
2	Vinyl 34.5 oz.	23-114-15	54 inches	0672 EB5	0672 EF8	0672 ET5	0672 EY3

PART NUMBERS AND COLORS

ITEM	TYPE OF MATERIAL	PART TYPE CODE	MAT'L WIDTH	BLACK D6X	RED D6R		
1	Not Serviced - See Part Type Codes 23-108-5 and 23-108-16						
2	Vinyl 34.5 oz.	23-114-15	54 inches	0672 EX9	0672 ER6		

PART NUMBERS AND COLORS

ITEM	TYPE OF MATERIAL	PART TYPE CODE	MAT'L WIDTH	TAN D6T	TAN AND BLACK D6U		
1	Not Serviced - See Part Type Codes 23-108-5 and 23-108-16						
2	Vinyl 34.5 oz.	23-114-15	54 inches	0672 ET5	0672 ET5		

CORONET

Distribution Drawing Legend Pages Appear Following Illustration Section.

1969 CORONET EW-L-K 2 DOOR SEDAN, 4 DOOR SEDAN

CLOTH AND VINYL TRIM

PART NUMBERS AND COLORS

ITEM	TYPE OF MATERIAL	PART TYPE CODE	MAT'L WIDTH	TAN KIT			
1	Body Cloth	23-114-2	62 inches	0124 ET7			
2	Vinyl 34.5 oz.	23-114-15	54 inches	0672 ET5			
3	Vinyl 37 oz.	23-114-15	58 inches	0676 ET5			

1969 CORONET EW-L-K-T 2 DOOR SEDAN, 4 DOOR SEDAN

VINYL TRIM

PART NUMBERS AND COLORS

ITEM	TYPE OF MATERIAL	PART TYPE CODE	MAT'L WIDTH	TAN K2T, T2T	BLACK T2X		
1	Vinyl 34.5 oz.	23-114-15	54 inches	0672 ET8	0672 EX9		

1969 CORONET EW-L-K 4 DOOR SEDAN

CLOTH AND VINYL TRIM

PART NUMBERS AND COLORS

ITEM	TYPE OF MATERIAL	PART TYPE CODE	MAT'L WIDTH	BLUE L1B	CHAMPAGNE AND BLACK L1L	BLACK L1X	
1	Body Cloth	23-114-2	54 inches	0134 EB8	0134 EL2	0134 DX9	
2	Vinyl 34.5 oz.	23-114-15	54 inches	0672 EB3	0672 EL2	0672 EX9	
3	Vinyl 34.5 oz.	23-114-15	54 inches	0672 EB7	0672 EL2	0672 EX9	

1969 CORONET EW-M-P 2 DOOR SEDAN, 4 DOOR SEDAN STATION WAGON.

2 DOOR HARD TOP, CONVERTIBLE

VINYL TRIM

PART NUMBERS AND COLORS

ITEM	TYPE OF MATERIAL	PART TYPE CODE	MAT'L WIDTH	BLUE M6B, P6B, P6D	GREEN M6G, P6C	RED M6R, P6R	TAN M6T, P6T
1	Not Serviced - See Part Type Codes 23-108-5 and 23-108-16						
2	Vinyl 34.5 oz.	23-114-15	54 inches	0672 EB7	0672 EF8	0672 ER7	0672 ET5

PART NUMBERS AND COLORS

ITEM	TYPE OF MATERIAL	PART TYPE CODE	MAT'L WIDTH	BLACK M6X, P6X	WHITE M6W, P6W	WHITE M6F, P6F, M6C	WHITE P6V
1	Not Serviced - See Part Type Codes 23-108-5 and 23-108-16						
2	Vinyl 34.5 oz.	23-114-15	54 inches	0672 EX9	0672 EW1	0672 EW1	0672 EW1

1969 CORONET EW-H 4 DOOR SEDAN

CLOTH AND VINYL TRIM

PART NUMBERS AND COLORS

ITEM	TYPE OF MATERIAL	PART TYPE CODE	MAT'L WIDTH	BLUE H1B	GREEN H1G	CHAMPAGNE AND BLACK H1Y	BLACK H1X
1	Not Serviced - See Part Type Codes 23-108-5 and 23-108-16						
2	Vinyl 34.5 oz.	23-114-15	54 inches	0672 EB3	0672 EF3	0672 EY4	0672 EX9
3	Vinyl 34.5 oz.	23-114-15	54 inches	0672 EB7	0672 EF8	0672 EY4	0672 EX9
4	Vinyl 37 oz.	23-114-15	58 inches	0676 EB7	0676 EF8	0676 EY4	0676 EX9

CORONET

Distribution Drawing Legend Pages Appear Following Illustration Section.

1969 CORONET EW-L-M-H 2 DOOR SEDAN, 4 DOOR SEDAN, 2 DOOR HARD TOP, CONVERTIBLE

VINYL TRIM

ITEM	TYPE OF MATERIAL	PART TYPE CODE	MAT'L WIDTH	PART NUMBERS AND COLORS			
				BLUE H2B, X2B	GREEN H2G	RED H2R	TAN H2T, X2T
1	Not Serviced - See Part Type Codes 23-108-5 and 23-108-16						
2	Vinyl 34.5 oz.	23-114-15	54 inches	0672 EB3	0672 EF3	0672 ER7	0672 ET5
3	Vinyl 34.5 oz.	23-114-15	54 inches	0672 EB7	0672 EF8	0672 ER7	0672 ET5
4	Vinyl 37 oz.	23-114-15	58 inches	0676 EB7	0676 EF8	0676 ER7	0676 ET5

ITEM	TYPE OF MATERIAL	PART TYPE CODE	MAT'L WIDTH	PART NUMBERS AND COLORS		
				WHITE H2W, H2C	BLACK H2X, X2X	WHITE H2F
1	Not Serviced - See Part Type Codes 23-108-5 and 23-108-16					
2	Vinyl 34.5 oz.	23-114-15	54 inches	0672 EW1	0672 EX9	0672 EW1
3	Vinyl 34.5 oz.	23-114-15	54 inches	0672 EW1	0672 EX9	0672 EW1
4	Vinyl 37 oz.	23-114-15	58 inches	0676 EW1	0676 EX9	0676 EW1

1969 CORONET EW-H-P STATION WAGON, CONVERTIBLE

VINYL TRIM

ITEM	TYPE OF MATERIAL	PART TYPE CODE	MAT'L WIDTH	PART NUMBERS AND COLORS			
				BLUE P2D, D2D	GREEN P2G, D2G	TAN P2T, D2T	WHITE P2W
1	Not Serviced - See Part Type Codes 23-108-5 and 23-108-16						
2	Vinyl 34.5 oz.	23-114-15	54 inches	0672 EB7	0672 EF8	0672 ET5	0672 EW1
3	Vinyl 37 oz.	23-114-15	58 inches	0676 EB7	0676 EF8	0676 ET5	0676 EW1

ITEM	TYPE OF MATERIAL	PART TYPE CODE	MAT'L WIDTH	PART NUMBERS AND COLORS		
				BLACK P2X, D2X		
1	Not Serviced - See Part Type Codes 23-108-5 and 23-108-16					
2	Vinyl 34.5 oz.	23-114-15	54 inches	0672 EX9		
3	Vinyl 37 oz.	23-114-15	58 inches	0676 EX9		

1969 CORONET EW-L-K 2 DOOR SEDAN

VINYL TRIM

ITEM	TYPE OF MATERIAL	PART TYPE CODE	MAT'L WIDTH	PART NUMBERS AND COLORS		
				BLUE M2B	TAN M2T	BLACK M2X
1	Not Serviced - See Part Type Codes 23-108-5 and 23-108-16					
2	Vinyl 34.5 oz.	23-114-15	54 inches	0672 EB3	0672 ET5	0672 EX9
3	Vinyl 37 oz.	23-114-15	58 inches	0676 EB3	0676 ET5	0676 EX9

1969 CORONET EW-P 4 DOOR SEDAN

CLOTH AND VINYL TRIM

ITEM	TYPE OF MATERIAL	PART TYPE CODE	MAT'L WIDTH	PART NUMBERS AND COLORS			
				BLUE P3D	GREEN P3G	BLACK P3X	GOLD P3Y
1	Not Serviced - See Part Type Codes 23-108-5 and 23-108-16						
2	Vinyl 34.5 oz.	23-114-15	54 inches	0672 EB7	0672 EF8	0672 EX9	0672 EY4

1969 PASSENGER CAR PARTS CATALOG

INTERIOR TRIM

CORONET

Distribution Drawing Legend Pages Appear Following Illustration Section.

1969 CORONET EW-P-S SPECIAL 2 DOOR HARD TOP - CHARGER

CLOTH, VINYL AND LEATHER TRIM

PART NUMBERS AND COLORS

ITEM	TYPE OF MATERIAL	PART TYPE CODE	MAT'L WIDTH	BLUE C6D, CRD	GREEN C6G, CRG	RED C6R	TAN C6T, CRT
1	Not Serviced - See Part Type Codes 23-108-5 and 23-108-16						
2	Vinyl 34.5 oz.	23-114-15	54 inches	0672 EB7	0672 EF8	0672 ER7	0672 ET5

PART NUMBERS AND COLORS

ITEM	TYPE OF MATERIAL	PART TYPE CODE	MAT'L WIDTH	WHITE C6W	BLACK C6X, CRX	BLACK C5X	
1	Not Serviced - See Part Type Codes 23-108-5 and 23-108-16						
2	Vinyl 34.5 oz.	23-114-15	54 inches	0672 EW1	0672 EX9	0672 EX9	

NOTES

DODGE

Distribution Drawing Legend Pages Appear Following Illustration Section.

1969 DODGE ED-K-T-L 4 DOOR SEDAN

VINYL TRIM

PART NUMBERS AND COLORS

ITEM	TYPE OF MATERIAL	PART TYPE CODE	MAT'L WIDTH	GRAY K2A			
1	Vinyl 34.5 oz.	23-114-15	54 inches	0672 EA9			

1969 DODGE ED-L-K 4 DOOR SEDAN, 2 DOOR HARD TOP, 4 DOOR HARD TOP

CLOTH AND VINYL TRIM

PART NUMBERS AND COLORS

ITEM	TYPE OF MATERIAL	PART TYPE CODE	MAT'L WIDTH	BLUE L1B	GREEN L1G	BLACK L1X	GOLD L1Y
1	Not Serviced - See Part Type Codes 23-108-5 and 23-108-16						
2	Vinyl 34.5 oz.	23-114-15	54 inches	0672 EB3	0672 EF3	0672 EX9	0672 EY4
3	Vinyl 19.7 oz.	23-114-15	56 inches	0683 EB7	0683 EF8	0683 EX9	0683 EY4
4	Vinyl 34.5 oz.	23-114-15	54 inches	0672 EB7	0672 EF8	0672 EX9	0672 EY4

1969 DODGE ED-K-L, 4 DOOR SEDAN, STATION WAGON, 2 DOOR HARD TOP,
4 DOOR HARD TOP, CONVERTIBLE

VINYL TRIM

PART NUMBERS AND COLORS

ITEM	TYPE OF MATERIAL	PART TYPE CODE	MAT'L WIDTH	BLUE L2B	GREEN L2G	TAN L2T	WHITE L2W
1	Not Serviced - See Part Type Codes 23-108-5 and 23-108-16						
2	Vinyl 34.5 oz.	23-114-15	54 inches	0672 EB3	0672 EF3	0672 ET5	0672 EW1

PART NUMBERS AND COLORS

ITEM	TYPE OF MATERIAL	PART TYPE CODE	MAT'L WIDTH	BLACK L2X			
1	Not Serviced - See Part Type Codes 23-108-5 and 23-108-16						
2	Vinyl 34.5 oz.	23-114-15	54 inches	0672 EX9			

1969 DODGE ED-M 2 DOOR HARD TOP, CONVERTIBLE

VINYL TRIM

PART NUMBERS AND COLORS

ITEM	TYPE OF MATERIAL	PART TYPE CODE	MAT'L WIDTH	BLUE M6B	GREEN M6G	TAN M6T	WHITE M6W
1	Not Serviced - See Part Type Codes 23-108-5 and 23-108-16						
2	Vinyl 32 oz.	23-114-15	50 inches	0707 EB3	0707 EF3	0707 ET5	0707 EW1
3	Vinyl 34.5 oz.	23-114-15	54 inches	0672 EB3	0672 EF3	0672 ET5	0672 EW1

PART NUMBERS AND COLORS

ITEM	TYPE OF MATERIAL	PART TYPE CODE	MAT'L WIDTH	BLACK M6X			
1	Not Serviced - See Part Type Codes 23-108-5 and 23-108-16						
2	Vinyl 32 oz.	23-114-15	50 inches	0707 EX9			
3	Vinyl 34.5 oz.	23-114-15	54 inches	0672 EX9			

DODGE

Distribution Drawing Legend Pages Appear Following Illustration Section.

1969 DODGE ED-H 4 DOOR SEDAN

CLOTH AND VINYL TRIM

PART NUMBERS AND COLORS

ITEM	TYPE OF MATERIAL	PART TYPE CODE	MAT'L WIDTH	BLUE H1B	GREEN H1G	CHAMPAGNE H1L	GOLD H1Y
1	Not Serviced - See Part Type Codes 23-108-5 and 23-108-16						
2	Vinyl 34.5 oz.	23-114-15	54 inches	0672 EB2	0672 EF2	0672 EL3	0672 EY5
3	Vinyl 34.5 oz.	23-114-15	54 inches	0672 EB3	0672 EF3	0672 ZL2	0672 EY4

PART NUMBERS AND COLORS

ITEM	TYPE OF MATERIAL	PART TYPE CODE	MAT'L WIDTH	BLACK H1X			
1	Not Serviced - See Part Type Codes 23-108-5 and 23-108-16						
2	Vinyl 34.5 oz.	23-114-15	54 inches	0672 EX9			
3	Vinyl 34.5 oz.	23-114-15	54 inches	0672 EX9			

1969 DODGE ED-H STATION WAGON, 2 DOOR HARD TOP, 4 DOOR HARD TOP

VINYL TRIM

PART NUMBERS AND COLORS

ITEM	TYPE OF MATERIAL	PART TYPE CODE	MAT'L WIDTH	BLUE H4D	GREEN H4G	WHITE H4H	TAN H4T
1	Not Serviced - See Part Type Codes 23-108-5 and 23-108-16						
2	Vinyl 41.3 oz.	23-114-15	54 inches	0726 EB8	0726 EF7	0726 EW2	0726 ET5

PART NUMBERS AND COLORS

ITEM	TYPE OF MATERIAL	PART TYPE CODE	MAT'L WIDTH	BLACK H4X	GOLD H4Y		
1	Not Serviced - See Part Type Codes 23-108-5 and 23-108-16						
2	Vinyl 41.3 oz.	23-114-15	54 inches	0726 EX7	0726 EY5		

1969 DODGE ED-H 2 DOOR HARD TOP, 4 DOOR HARD TOP

VINYL TRIM

PART NUMBERS AND COLORS

ITEM	TYPE OF MATERIAL	PART TYPE CODE	MAT'L WIDTH	GREEN H6G	WHITE H6W	BLACK H6X	GOLD H6Y
1	Not Serviced - See Part Type Codes 23-108-5 and 23-108-16						
2	Vinyl 41.3 oz.	23-114-15	54 inches	0726 EF7	0726 EW2	0726 EX7	0726 EY5

1969 DODGE ED-H, 4 DOOR SEDAN, 4 DOOR HARD TOP

CLOTH AND VINYL TRIM

PART NUMBERS AND COLORS

ITEM	TYPE OF MATERIAL	PART TYPE CODE	MAT'L WIDTH	BLUE H7B	GREEN H7G	BLACK H7X	
1	Not Serviced - See Part Type Codes 23-108-5 and 23-108-16						
2	Vinyl 34.5 oz.	23-114-15	54 inches	0697 EB2	0697 EF3	0697 EX9	

1969 DODGE ED-H STATION WAGON

VINYL TRIM

PART NUMBERS AND COLORS

ITEM	TYPE OF MATERIAL	PART TYPE CODE	MAT'L WIDTH	TAN H8T	BLACK H8X		
1	Not Serviced - See Part Type Codes 23-108-5 and 23-108-16						
2	Vinyl 41.3 oz.	23-114-15	54 inches	0726 ET5	0726 EX7		

DART

Distribution Drawing Legend Pages Appear Following Illustration Section.

1969 DART EL-L 4 DOOR SEDAN, 2 DOOR HARD TOP

VINYL TRIM

PART NUMBERS AND COLORS

ITEM	TYPE OF MATERIAL	PART TYPE CODE	MAT'L WIDTH	BLUE L2B	TAN L2T	BLACK L2X	
1	Vinyl 32 oz.	23-114-15	54 inches	0701 EB3	0701 ET4	0701 EA8	
2	Vinyl 34.5 oz.	23-114-15	54 inches	0672 EB7	0672 ET5	0672 EX9	
3	Vinyl 37 oz.	23-114-15	58 inches	0678 EB3	0678 ET4	0678 EX9	

1969 DART EL-H 4 DOOR SEDAN

CLOTH AND VINYL TRIM

PART NUMBERS AND COLORS

ITEM	TYPE OF MATERIAL	PART TYPE CODE	MAT'L WIDTH	BLUE H1B	GREEN H1G	CHAMPAGNE AND BLACK H1L	BLACK H1X
1	Not Serviced - See Part Type Codes 23-108-5 and 23-108-16						
2	Vinyl 34.5 oz.	23-114-15	54 inches	0672 EB3	0672 EF3	0672 EL2	0672 EX9
3	Vinyl 37 oz.	23-114-15	58 inches	0678 EB7	0678 EF8	0678 EL3	0678 EX9
4	Vinyl 34.5 oz.	23-114-15	53 inches	0672 EB7	0672 EF8	0672 EL2	0672 EX9

1969 DART EL-H 4 DOOR SEDAN, 2 DOOR HARD TOP

VINYL TRIM

PART NUMBERS AND COLORS

ITEM	TYPE OF MATERIAL	PART TYPE CODE	MAT'L WIDTH	BLUE H2B	GREEN H2G	RED H2R	TAN H2T
1	Not Serviced - See Part Type Codes 23-108-5 and 23-108-16						
2	Vinyl 34.5 oz.	23-114-15	54 inches	0672 EB3	0672 EF3	0672 ER7	0672 ET5
3	Vinyl 37 oz.	23-114-15	58 inches	0676 EB7	0676 EF8	0676 ER7	0676 ET5

PART NUMBERS AND COLORS

ITEM	TYPE OF MATERIAL	PART TYPE CODE	MAT'L WIDTH	BLACK H2X	WHITE H2C, H2W		
1	Not Serviced - See Part Type Codes 23-108-5 and 23-108-16						
2	Vinyl 34.5 oz.	23-114-15	54 inches	0672 EX9	0672 EW1		
3	Vinyl 37 oz.	23-114-15	58 inches	0676 EX9	0676 EW1		

1969 DART EL-L 2 DOOR HARD TOP

VINYL TRIM

PART NUMBERS AND COLORS

ITEM	TYPE OF MATERIAL	PART TYPE CODE	MAT'L WIDTH	BLUE D2B	TAN D2T	BLACK D2X	
1	Not Serviced - See Part Type Codes 23-108-5 and 23-108-16						
2	Vinyl 34.5 oz.	23-114-15	54 inches	0672 EB7	0672 ET5	0672 EX9	
3	Vinyl 37 oz.	23-114-15	58 inches	0678 EB3	0678 ET4	0678 EX9	

DART

Distribution Drawing Legend Pages Appear Following Illustration Section.

1969 DART EL-P-S 2 DOOR HARD TOP, CONVERTIBLE

VINYL TRIM

PART NUMBERS AND COLORS

ITEM	TYPE OF MATERIAL	PART TYPE CODE	MAT'L WIDTH	BLUE P6B	WHITE P6C	WHITE P6E	WHITE P6F
1	Not Serviced - See Part Type Codes 23-108-5 and 23-108-16						
2	Vinyl 34.5 oz.	23-114-15	54 inches	0688 EB4	0688 EW2	0688 EW2	0688 EW2
3	Vinyl 34.5 oz.	23-114-15	54 inches	0672 EX9	0672 EX9	0672 EX9	0672 EX9

PART NUMBERS AND COLORS

ITEM	TYPE OF MATERIAL	PART TYPE CODE	MAT'L WIDTH	GREEN P6G	RED P6R	WHITE P6W	BLACK P6X
1	Not Serviced - See Part Type Codes 23-108-5 and 23-108-16						
2	Vinyl 34.5 oz.	23-114-15	54 inches	0688 EF4	0688 ER5	0688 EW2	0688 EX7
3	Vinyl 34.5 oz.	23-114-15	54 inches	0672 EX9	0672 EX9	0672 EX9	0672 EX9

PART NUMBERS AND COLORS

ITEM	TYPE OF MATERIAL	PART TYPE CODE	MAT'L WIDTH	GOLD P6Y			
1	Not Serviced - See Part Type Codes 23-108-5 and 23-108-16						
2	Vinyl 34.5 oz.	23-114-15	54 inches	0688 EY2			
3	Vinyl 34.5 oz.	23-114-15	54 inches	0672 EX9			

1969 DART EL-P-S CONVERTIBLE

VINYL TRIM

PART NUMBERS AND COLORS

ITEM	TYPE OF MATERIAL	PART TYPE CODE	MAT'L WIDTH	BLUE P2B	RED P2R	WHITE P2W	BLACK P2X
1	Not Serviced - See Part Type Codes 23-108-5 and 23-108-16						
2	Vinyl 34.5 oz.	23-114-15	54 inches	0688 EB4	0688 ER5	0688 EW2	0688 EX9
3	Vinyl 34.5 oz.	23-114-15	54 inches	0672 EB4	0672 ER5	0672 EW2	0672 EX9

NOTES

CHRYSLER

Distribution Drawing Legend Pages Appear Following Illustration Section.

1969 CHRYSLER EC-E 4 DOOR SEDAN, 4 DOOR HARD TOP, CONVERTIBLE

VINYL TRIM

PART NUMBERS AND COLORS

ITEM	TYPE OF MATERIAL	PART TYPE CODE	MAT'L WIDTH	BLUE E1D, E2D	TAN E2T	BLACK E1X, E2X	GOLD E2Y
1	Not Serviced - See Part Type Codes 23-108-5 and 23-108-16						
2	Vinyl 34.5 oz.	23-114-15	54 inches	0672 EB9	0672 ET5	0672 EX9	0672 EY4

1969 CHRYSLER EC-L 4 DOOR SEDAN, 4 DOOR HARD TOP, 2 DOOR HARD TOP

CLOTH AND VINYL TRIM

PART NUMBERS AND COLORS

ITEM	TYPE OF MATERIAL	PART TYPE CODE	MAT'L WIDTH	BLUE L3D	GREEN E1G, L3G	TURQUOISE E1Q, L3Q	BLACK L3X
1	Body Cloth	23-114-2	64 inches	0114 EB9	0114 EF8	0114 EQ4	0114 EX9
2	Vinyl 34.5 oz.	23-114-15	54 inches	0672 EB9	0672 EF8	0672 EQ4	0672 EX9

PART NUMBERS AND COLORS

ITEM	TYPE OF MATERIAL	PART TYPE CODE	MAT'L WIDTH	GOLD L3Y			
1	Body Cloth	23-114-2	64 inches	0114 EY4			
2	Vinyl 34.5 oz.	23-114-15	54 inches	0672 EY4			

1969 CHRYSLER EC-L-M-P 4 DOOR SEDAN, 4 DOOR HARD TOP, STATION WAGON, 2 DOOR HARD TOP

VINYL TRIM

PART NUMBERS AND COLORS

ITEM	TYPE OF MATERIAL	PART TYPE CODE	MAT'L WIDTH	BLUE E4D, M4D, L4D	BRIAR E4E, M4E, L4E	GREEN E4G, E8G	TAN E4T
1	Not Serviced - See Part Type Codes 23-108-5 and 23-108-16						
2	Vinyl 34.5 oz.	23-114-15	54 inches	0672 EB9	0672 EE8	0672 EF8	0672 ET5

PART NUMBERS AND COLORS

ITEM	TYPE OF MATERIAL	PART TYPE CODE	MAT'L WIDTH	BLACK E4X, M4X, L4X	BLACK E8X		
1	Not Serviced - See Part Type Codes 23-108-5 and 23-108-16						
2	Vinyl 34.5 oz.	23-114-15	54 inches	0672 EX9	0672 EX9		

1969 CHRYSLER EC-L-P 4 DOOR SEDAN, 4 DOOR HARD TOP, STATION WAGON

VINYL TRIM

PART NUMBERS AND COLORS

ITEM	TYPE OF MATERIAL	PART TYPE CODE	MAT'L WIDTH	BRIAR L7E	CHAMPAGNE E1L, E7L, L7L		
1	Not Serviced - See Part Type Codes 23-108-5 and 23-108-16						
2	Vinyl 34.5 oz.	23-114-15	54 inches	0672 EE8	0672 ZL2		

CHRYSLER

Distribution Drawing Legend Pages Appear Following Illustration Section.

1969 CHRYSLER EC-M 4 DOOR HARD TOP, 2 DOOR HARD TOP

CLOTH AND VINYL TRIM

PART NUMBERS AND COLORS

ITEM	TYPE OF MATERIAL	PART TYPE CODE	MAT'L WIDTH	GREEN M3G	BLACK M3X	GOLD M3Y	
1	Not Serviced - See Part Type Codes 23-108-5 and 23-108-16						
2	Vinyl 34.5 oz.	23-114-15	54 inches	0672 EF8	0672 EX9	0672 EY4	

1969 CHRYSLER EC-M 4 DOOR HARD TOP, 2 DOOR HARD TOP

CLOTH AND VINYL TRIM

PART NUMBERS AND COLORS

ITEM	TYPE OF MATERIAL	PART TYPE CODE	MAT'L WIDTH	CHAMPAGNE M5L			
1	Not Serviced - See Part Type Codes 23-108-5 and 23-108-16						
2	Vinyl 34.5 oz.	23-114-15	54 inches	0672 EL2			

1969 CHRYSLER EC-E-M 4 DOOR HARD TOP, 2 DOOR HARD TOP, CONVERTIBLE

VINYL TRIM

PART NUMBERS AND COLORS

ITEM	TYPE OF MATERIAL	PART TYPE CODE	MAT'L WIDTH	BLUE M6D	GREEN M6G	TAN E6T, M6T	WHITE E6W, M6W
1	Not Serviced - See Part Type Codes 23-108-5 and 23-108-16						
2	Vinyl 34.5 oz.	23-114-15	54 inches	0672 EB9	0672 EF8	0672 ET5	0672 EW1

PART NUMBERS AND COLORS

ITEM	TYPE OF MATERIAL	PART TYPE CODE	MAT'L WIDTH	BLACK E6X, M6X			
1	Not Serviced - See Part Type Codes 23-108-5 and 23-108-16						
2	Vinyl 34.5 oz.	23-114-15	54 inches	0672 EX9			

1969 CHRYSLER EC-H 4 DOOR SEDAN, 4 DOOR HARD TOP

CLOTH AND VINYL TRIM

PART NUMBERS AND COLORS

ITEM	TYPE OF MATERIAL	PART TYPE CODE	MAT'L WIDTH	BLUE H1D	GREEN H1G	TURQUOISE H1Q	BLACK H1X, H8X
1	Not Serviced - See Part Type Codes 23-108-5 and 23-108-16						
2	Body Cloth	23-114-2	56 inches	0131 EB9	0131 EF8	0131 DQ4	0131 DX9
3	Vinyl 34.5 oz.	23-114-15	54 inches	0672 EB9	0672 EF8	0672 EQ4	0672 EX9

PART NUMBERS AND COLORS

ITEM	TYPE OF MATERIAL	PART TYPE CODE	MAT'L WIDTH	GOLD H1Y			
1	Not Serviced - See Part Type Codes 23-108-5 and 23-108-16						
2	Body Cloth	23-114-2	56 inches	0131 EY4			
3	Vinyl 34.5 oz.	23-114-15	54 inches	0672 EY4			

CHRYSLER

Distribution Drawing Legend Pages Appear Following Illustration Section.

1969 CHRYSLER EC-H 4 DOOR SEDAN, 4 DOOR HARD TOP

LEATHER TRIM

PART NUMBERS AND COLORS

ITEM	TYPE OF MATERIAL	PART TYPE CODE	MAT'L WIDTH	TAN HST		
1	Not Serviced - See Part Type Codes 23-108-5 and 23-108-16					
1A	Leather	23-114-14	Hide	0303 ET5		
2	Vinyl 34.5 oz.	23-114-15	54 inches	0672 ET5		

1969 CHRYSLER EC-H 4 DOOR SEDAN, 4 DOOR HARD TOP

CLOTH AND VINYL TRIM

PART NUMBERS AND COLORS

ITEM	TYPE OF MATERIAL	PART TYPE CODE	MAT'L WIDTH	BLUE H7D	BRIAR H7E	CHAMPAGNE H7L, H8L
1	Not Serviced - See Part Type Codes 23-108-5 and 23-108-16					
2	Body Cloth	23-114-2	61 inches	0131 EB9	0131 EE8	0131 EL2
3	Vinyl 34.5 oz.	23-114-15	54 inches	0672 EB9	0672 EE8	0672 EL2

1969 CHRYSLER EC-H 2 DOOR HARD TOP

CLOTH AND VINYL TRIM

PART NUMBERS AND COLORS

ITEM	TYPE OF MATERIAL	PART TYPE CODE	MAT'L WIDTH	BLUE H3D	GREEN H3G	TURQUOISE H3Q	BLACK H3X
1	Not Serviced - See Part Type Codes 23-108-5 and 23-108-16						
2	Body Cloth	23-114-2	61 inches	0131 EB9	0131 EF8	0131 DQ4	0131 DX9
3	Vinyl 34.5 oz.	23-114-15	54 inches	0672 EB9	0672 EF8	0672 EQ4	0672 EX9

PART NUMBERS AND COLORS

ITEM	TYPE OF MATERIAL	PART TYPE CODE	MAT'L WIDTH	GOLD H3Y		
1	Not Serviced - See Part Type Codes 23-108-5 and 23-108-16					
2	Body Cloth	23-114-2	61 inches	0131 EY4		
3	Vinyl 34.5 oz.	23-114-15	54 inches	0672 EY4		

1969 CHRYSLER EC-H 2 DOOR HARD TOP

VINYL TRIM

PART NUMBERS AND COLORS

ITEM	TYPE OF MATERIAL	PART TYPE CODE	MAT'L WIDTH	BLUE H6D	TAN H6T	WHITE H6W	BLACK H6X
1	Not Serviced - See Part Type Codes 23-108-5 and 23-108-16						
2	Vinyl 34.5 oz.	23-114-15	54 inches	0672 EB9	0672 ET4	0672 EW1	0672 EX9

1969 CHRYSLER EC-L-P 4 DOOR SEDAN, 4 DOOR HARD TOP, STATION WAGON

VINYL TRIM

PART NUMBERS AND COLORS

ITEM	TYPE OF MATERIAL	PART TYPE CODE	MAT'L WIDTH	GREEN E8G	BLACK E8X, L8X	
1	Not Serviced - See Part Type Codes 23-108-5 and 23-108-16					
2	Vinyl 34.5 oz.	23-114-15	54 inches	0672 EF8	0672 EX9	

IMPERIAL

Distribution Drawing Legend Pages Appear Following Illustration Section.

1969 IMPERIAL EY-M 4 DOOR SEDAN, 4 DOOR HARD TOP

CLOTH AND VINYL TRIM

PART NUMBERS AND COLORS

ITEM	TYPE OF MATERIAL	PART TYPE CODE	MAT'L WIDTH	BLUE MID. DID	GREEN MIG. DIG	BURGUNDY MIM. DIM	TURQUOISE MIQ. DIQ
1	Not Serviced - See Part Type Codes 23-108-5 and 23-108-16						
2	Vinyl 34.5 oz.	23-114-15	54 inches	0672 EB9	0672 EF3	0672 EM9	0672 EQ4

PART NUMBERS AND COLORS

ITEM	TYPE OF MATERIAL	PART TYPE CODE	MAT'L WIDTH	WALNUT & BEIGE MIK. DIK	BLACK MIX. DIX		
1	Not Serviced - See Part Type Codes 23-108-5 and 23-108-16						
2	Vinyl 34.5 oz.	23-114-15	54 inches	0672 ET9	0672 EX9		

1969 IMPERIAL EY-M 4 DOOR HARD TOP

CLOTH AND LEATHER TRIM

PART NUMBERS AND COLORS

ITEM	TYPE OF MATERIAL	PART TYPE CODE	MAT'L WIDTH	BLUE MDD	GREEN MDG	BURGUNDY MDM	TURQUOISE MDQ
1	Not Serviced - See Part Type Codes 23-108-5 and 23-108-16						
2	Leather	23-114-14	Hide	0303 EB9	0303 EF8	0303 EM9	0303 DQ4
3	Vinyl 34.5 oz.	23-114-15	54 inches	0672 EB9	0672 EF8	0672 EM9	0672 EQ4

PART NUMBERS AND COLORS

ITEM	TYPE OF MATERIAL	PART TYPE CODE	MAT'L WIDTH	WALNUT & BEIGE MDK	BLACK MDX		
1	Not Serviced - See Part Type Codes 23-108-5 and 23-108-16						
2	Leather	23-114-14	Hide	0303 ET9	0303 DX9		
3	Vinyl 34.5 oz.	23-114-15	54 inches	0672 ET9	0672 EX9		

1969 IMPERIAL EY-M 4 DOOR HARD TOP

LEATHER TRIM

PART NUMBERS AND COLORS

ITEM	TYPE OF MATERIAL	PART TYPE CODE	MAT'L WIDTH	LIGHT BLUE MSP	DARK BLUE MSD	GOLD & BLACK MSN	GREEN MSG
1	Not Serviced - See Part Type Codes 23-108-5 and 23-108-16						
2	Vinyl 34.5 oz.	23-114-15	54 inches	0672 EB3	0672 EB9	0672 EY9	0672 EF8

PART NUMBERS AND COLORS

ITEM	TYPE OF MATERIAL	PART TYPE CODE	MAT'L WIDTH	TAN MST	RED MSR	WHITE MSW	
1	Not Serviced - See Part Type Codes 23-108-5 and 23-108-16						
2	Vinyl 34.5 oz.	23-114-15	54 inches	0672 ET8	0672 ER7	0672 EW1	

PART NUMBERS AND COLORS

ITEM	TYPE OF MATERIAL	PART TYPE CODE	MAT'L WIDTH	BLACK MSX	GOLD MSY		
1	Not Serviced - See Part Type Codes 23-108-5 and 23-108-16						
2	Vinyl 34.5 oz.	23-114-15	54 inches	0672 EX9	0672 EY4		

IMPERIAL

Distribution Drawing Legend Pages Appear Following Illustration Section.

1969 IMPERIAL EY-H 2 DOOR HARD TOP

CLOTH AND LEATHER TRIM

PART NUMBERS AND COLORS

ITEM	TYPE OF MATERIAL	PART TYPE CODE	MAT'L WIDTH	BLUE MBD. M3D	GREEN MBG. M3G	BURGUNDY MBM. M3M	TURQUOISE MBQ. M3Q
1	Not Serviced - See Part Type Codes 23-108-5 and 23-108-16						
2	Leather	23-114-14	Hide	0303 EB9	0303 EF8	0303 EM9	0303 DQ4
3	Vinyl 34.5 oz.	23-114-15	54 inches	0672 EB9	0672 EF8	0672 EM9	0672 EQ4

PART NUMBERS AND COLORS

ITEM	TYPE OF MATERIAL	PART TYPE CODE	MAT'L WIDTH	WALNUT & BEIGE MBK. M3K	BLACK MBX. M3X		
1	Not Serviced - See Part Type Codes 23-108-5 and 23-108-16						
2	Leather	23-114-14	Hide	0303 ET9	0303 DX9		
3	Vinyl 34.5 oz.	23-114-15	54 inches	0672 ET9	0672 EX9		

1969 IMPERIAL EY-M 2 DOOR HARD TOP

LEATHER TRIM

PART NUMBERS AND COLORS

ITEM	TYPE OF MATERIAL	PART TYPE CODE	MAT'L WIDTH	BLUE MRB	GREEN MRG	TAN MRT	WHITE MRW
1	Leather	23-114-14	Hide	0303 EB3	0303 EF8	0303 ET8	0303 EW1
2	Vinyl 34.5 oz.	23-114-15	54 inches	0672 EB3	0672 EF8	0672 ET8	0672 EW1

PART NUMBERS AND COLORS

ITEM	TYPE OF MATERIAL	PART TYPE CODE	MAT'L WIDTH	BLACK MRX			
1	Leather	23-114-14	Hide	0303 DX9			
2	Vinyl 34.5 oz.	23-114-15	54 inches	0672 EX9			

NOTES

NOTES

A series of approximately 30 horizontal lines provided for handwritten notes.

NOTE:

FOR COLUMN LEGENDS AND BODY CODES SEE HARD PARTS INFORMATION SECTION

BELVEDERE

TRIM CODE	MODEL	MATERIAL			COLOR	SED.	4D. H.T.	STA. WGN.	2D. H.T.	CV. CP.
		Cloth	Vinyl	Leather						
L1B	RK-RL	★	★	-	Light Blue	★	-	-	-	-
L1T	RK-RL	★	★	-	Tan	★	-	-	-	-
M2B	RK-RL	-	★	-	Light Blue	★	-	-	-	-
M2T	RK-RL	-	★	-	Tan	★	-	-	-	-
X1T	RL	★	★	-	Tan	★	-	-	-	-
X2B	RL	-	★	-	Light Blue	★	-	★	-	-
D2X	RK-RL	-	★	-	Black	★	-	-	-	-
L2B	RK-RL	-	★	-	Light Blue	-	-	★	-	-
L2T	RK-RL	-	★	-	Tan	★	-	★	-	-
K1T	RK-RL	★	★	-	Tan	★	-	-	-	-
K2T	RK-RL	-	★	-	Tan	★	-	-	-	-
T2T	RT	-	★	-	Tan	★	-	-	-	-
M2B	RM	-	★	-	Light Blue	★	-	-	-	-
M2T	RM	-	★	-	Tan	★	-	-	★	★
H2B	RM	-	★	-	Light Blue	★	-	-	★	★
H2C	RM	-	★	-	White and Blue	★	-	-	★	★
H2F	RM	-	★	-	White and Green	★	-	-	★	-
H2G	RM	-	★	-	Green	★	-	-	★	★
H2H	RM	-	★	-	White and Tan	★	-	-	★	-
H2S	RM	-	★	-	Pewter and Black	★	-	-	★	★
H2T	RM	-	★	-	Tan	★	-	-	★	★
H2W	RM	-	★	-	White	★	-	-	★	★
H2X	RM	-	★	-	Black	★	-	-	★	★
M6B	RM	-	★	-	Light Blue	★	-	-	★	★
M6C	RM	-	★	-	White and Blue	★	-	-	★	★
M6F	RM	-	★	-	White and Green	★	-	-	★	-
M6G	RM	-	★	-	Green	★	-	-	★	★
M6H	RM	-	★	-	White and Tan	★	-	-	★	-
M6S	RM	-	★	-	Pewter and Black	★	-	-	★	-
M6T	RM	-	★	-	Tan	★	-	-	★	★
M6W	RM	-	★	-	White	★	-	-	★	★
M6X	RM	-	★	-	Black	★	-	-	★	★
H1B	RH	★	★	-	Light Blue	★	-	-	★	-
H1G	RH	★	★	-	Green	★	-	-	★	-
H1T	RH	★	★	-	Tan	★	-	-	★	-
H1X	RH	★	★	-	Black	★	-	-	★	★
H2B	RH	-	★	-	Light Blue	-	-	-	★	★
H2C	RH	-	★	-	White and Blue	-	-	-	★	-
H2F	RH	-	★	-	White and Green	-	-	-	★	-
H2G	RH	-	★	-	Green	-	-	★	★	-
H2H	RH	-	★	-	White and Tan	-	-	-	★	★
H2S	RH	-	★	-	Pewter and Black	★	-	★	★	★
H2T	RH	-	★	-	Tan	-	-	-	★	★
H2W	RH	-	★	-	White	★	-	★	★	★
H2X	RH	-	★	-	Black	-	-	-	★	-
F2Q	RH	-	★	-	Turquoise and Floral	-	-	-	★	-
P2B	RP	-	★	-	Light Blue	-	-	★	-	-

1969 PASSENGER CAR PARTS CATALOG

INTERIOR TRIM

TRIM CODE	MODEL	MATERIAL			COLOR	SED.	INTERIOR TRIM			
		Cloth	Vinyl	Leather			4D. H.T.	STA. WGN.	2D. H.T.	CV. CP.
BELVEDERE										
P2C	RP	-	★	-	White and Blue	-	-	★	-	-
P2F	RP	-	★	-	White and Green	-	-	★	-	-
P2G	RP	-	★	-	Green	-	-	★	-	-
P2H	RP	-	★	-	White and Tan	-	-	★	-	-
P2S	RP	-	★	-	Pewter and Black	-	-	★	-	-
P2T	RP	-	★	-	Tan	-	-	★	-	-
P2X	RP	-	★	-	Black	-	-	★	-	-
P3B	RP	★	★	-	Light Blue	★	-	-	-	-
P3G	RP	★	★	-	Green	★	-	-	-	-
P3T	RP	★	★	-	Tan	★	-	-	-	-
P3X	RP	★	★	-	Black	★	-	-	-	-
P6C	RP-RS	-	★	-	White and Blue	★	-	-	-	★
P6D	RP-RS	-	★	-	Dark Blue	★	-	-	-	★
P6F	RP-RS	-	★	-	White and Green	★	-	-	-	★
P6G	RP-RS	-	★	-	Green	★	-	-	-	★
P6H	RP-RS	-	★	-	White and Tan	★	-	-	-	★
P6R	RP-RS	-	★	-	Red	-	-	-	-	★
P6S	RP-RS	-	★	-	Pewter and Black	★	-	-	-	★
P6T	RP-RS	-	★	-	Tan	★	-	-	-	★
P6V	RP-RS	-	★	-	White and Red	-	-	-	-	★
P6W	RP-RS	-	★	-	White	-	-	-	-	★
P6X	RP-RS	-	★	-	Black	★	-	-	-	★

NOTES

TRIM CODE	MODEL	MATERIAL			COLOR	SED.	4D. H.T.	STA. WGN.	2D. H.T.	CV. CP.
		Cloth	Vinyl	Leather						

PLYMOUTH

E1B	PE-PK	*	*	-	Light Blue	*	-	*	-	-
E1L	PE-PK	*	*	-	Champagne and Black	*	-	*	-	-
E2B	PE-PK	-	*	-	Light Blue	-	-	*	-	-
E2L	PE-PK	-	*	-	Champagne and Black	-	-	*	-	-
E2R	PE-PK	-	*	-	Red	-	-	*	-	-
L1B	PL-PK	*	*	-	Light Blue	*	-	-	-	-
L1G	PL-PK	*	*	-	Green	*	-	-	-	-
L1L	PL-PK	*	*	-	Champagne and Black	*	-	-	-	-
L2B	PL-PK	-	*	-	Light Blue	*	-	*	-	-
L2R	PL-PK	-	*	-	Red	*	-	*	-	-
L2T	PL-PK	-	*	-	Tan	-	-	*	-	-
L2W	PL-PK	-	*	-	White	*	-	*	-	-
L2X	PL-PK	-	*	-	Black	*	-	-	-	-
K1T	PE-PK	*	*	-	Tan	*	-	-	-	-
K2T	PE-PT-PK	-	*	-	Tan	*	*	-	-	*
M1D	PM	*	*	-	Dark Blue	*	*	-	-	*
M1G	PM	*	*	-	Green	*	*	-	-	*
M1L	PM	*	*	-	Champagne and Black	*	-	-	-	-
M1R	PM	*	*	-	Red	*	*	-	-	*
M1X	PM	*	*	-	Black	*	*	*	*	*
M4D	PM	-	*	-	Dark Blue	*	*	*	*	*
M4G	PM	-	*	-	Green	-	*	*	*	*
M4R	PM	-	*	-	Red	*	*	*	*	*
M4S	PM	-	*	-	Silver	*	*	*	*	*
M4T	PM	-	*	-	Tan	*	*	*	*	*
M4W	PM	-	*	-	White	-	-	-	-	*
M4X	PM	-	*	-	Black	*	*	*	*	*
M8X	PM	-	*	-	Black	*	*	*	*	*
H6D	PH	-	*	-	Dark Blue	-	-	-	-	*
H6G	PH	-	*	-	Green	-	-	-	-	*
H6R	PH	-	*	-	Red	-	-	-	-	*
H6S	PH	-	*	-	Silver	-	-	-	-	*
H6T	PH	-	*	-	Tan	-	-	-	-	*
H6W	PH	-	*	-	White	-	-	-	-	*
H6X	PH	-	*	-	Black	-	-	-	-	*
P3D	PP	*	*	-	Dark Blue	-	-	-	-	*
P3G	PP	*	*	-	Green	-	-	-	-	*
P3X	PP	*	*	-	Black	-	-	-	-	*
P4T	PP	-	*	-	Tan	-	-	-	-	*
P4W	PP	-	*	-	White	-	-	-	-	*
P6X	PP	-	*	-	Black	-	-	-	-	*
P8X	PP	-	*	-	Black	-	-	-	-	*
PPX	PP	-	-	*	Black	*	*	-	-	*
X4X	PE	-	*	-	Black	*	-	-	-	*
X6X	PM	-	*	-	Black	-	*	-	-	*

NOTES

1969 PASSENGER CAR PARTS CATALOG

INTERIOR TRIM

TRIM CODE	MODEL	MATERIAL			COLOR	SED.	4D. H.T.	STA. WGN.	2D. H.T.	SP. 2D. H.T.	CV. CP.
		Cloth	Vinyl	Leather							
VALIANT											
D1B	VL	★	★	-	Blue	★	-	-	-	-	-
D1X	VL	★	★	-	Black	★	-	-	-	-	-
L1B	VL	★	★	-	Blue	★	-	-	-	-	-
L1R	VL	★	★	-	Red	★	-	-	-	-	-
L1X	VL	★	★	-	Black	★	-	-	-	-	-
X1X	VL	★	★	-	Black	★	-	-	-	-	-
L2B	VL	-	★	-	Blue	★	-	-	-	-	-
L2T	VL	-	★	-	Saddle Tan	★	-	-	-	-	-
L2X	VL	-	★	-	Black	★	-	-	-	-	-
D2B	VL	-	★	-	Blue	★	-	-	-	-	-
D2R	VL	-	★	-	Red	★	-	-	-	-	-
D2X	VL	-	★	-	Black	★	-	-	-	-	-
D4B	VL	-	★	-	Blue	★	-	-	-	-	-
D4R	VL	-	★	-	Red	★	-	-	-	-	-
D4X	VL	-	★	-	Black	★	-	-	-	-	-
H1B	VH	★	★	-	Blue	★	-	-	-	-	-
H1G	VH	★	★	-	Green	★	-	-	-	-	-
H1X	VH	★	★	-	Black	★	-	-	-	-	-
H2B	VH	-	★	-	Blue	★	-	-	-	-	-
H2R	VH	-	★	-	Red	★	-	-	-	-	-
H2X	VH	-	★	-	Black	★	-	-	-	-	-
H2Y	VH	-	★	-	Gold	★	-	-	-	-	-
H4B	VH	-	★	-	Blue	★	-	-	-	-	-
H4R	VH	-	★	-	Red	★	-	-	-	-	-
H4X	VH	-	★	-	Black	★	-	-	-	-	-
H4Y	VH	-	★	-	Gold	★	-	-	-	-	-

BARRACUDA											
X1T	BH	★	★	-	Saddle Tan	-	-	-	-	★	-
H4B	BH	-	★	-	Blue	-	-	-	★	★	-
H4C	BH	-	★	-	White and Blue	-	-	-	★	★	-
H4F	BH	-	★	-	White and Green	-	-	-	★	★	-
H4V	BH	-	★	-	White and Red	-	-	-	★	★	-
H4W	BH	-	★	-	White	-	-	-	★	★	-
H4X	BH	-	★	-	Black	-	-	-	★	★	-
F6J	BH	-	★	-	Yellow Floral and Green	-	-	-	★	★	-
F6P	BH	-	★	-	Yellow Floral and Black	-	-	-	★	★	-
H6B	BH	-	★	-	Blue	-	-	-	★	★	★
H6C	BH	-	★	-	White and Blue	-	-	-	★	★	★
H6F	BH	-	★	-	White and Green	-	-	-	★	★	-
H6G	BH	-	★	-	Green	-	-	-	★	★	-
H6R	3H	-	★	-	Red	-	-	-	★	★	★
H6V	BH	-	★	-	White and Red	-	-	-	★	★	★
H6W	BH	-	★	-	White	-	-	-	★	★	★
H6X	BH	-	★	-	Black	-	-	-	★	★	★
D6B	BH	-	★	-	Blue	-	-	-	★	★	★
D6G	BH	-	★	-	Green	-	-	-	★	★	★
D6J	BH	-	★	-	Saddle Tan and Green	-	-	-	★	★	★
D6P	BH	-	★	-	Pale Yellow and Black	-	-	-	★	★	★
D6R	BH	-	★	-	Red	-	-	-	★	★	★
D6S	BH	-	★	-	Pewter and Black	-	-	-	★	★	★
D6T	BH	-	★	-	Saddle Tan	-	-	-	★	★	★
D6U	BH	-	★	-	Saddle Tan and Black	-	-	-	★	★	★
D6X	BH	-	★	-	Black	-	-	-	★	★	★

TRIM CODE	MODEL	MATERIAL			COLOR	SED.	4D. H.T.	STA. WGN.	2D. H.T.	SP. 2D. H.T.	CV. CP.
		Cloth	Vinyl	Leather							
CORONET											
L1B	WL-WK	*	*	-	Light Blue	*	-	-	-	-	-
L1L	WL-WK	*	*	-	Champagne and Black	*	-	-	-	-	-
L2B	WL-WK	-	*	-	Light Blue	-	-	*	-	-	-
L2T	WL-WK	-	*	-	Tan	-	-	*	-	-	-
L2X	WL-WK	-	*	-	Black	*	-	*	-	-	-
X1G	WL	*	*	-	Green	*	-	-	-	-	-
X1T	WL	*	*	-	Tan	*	-	-	-	-	-
X2T	WL	-	*	-	Tan	*	-	-	-	-	-
X2X	WL	-	*	-	Black	*	-	-	-	-	-
K1T	WK-WL	*	*	-	Tan	*	-	-	-	-	-
K2T	WK-WL	-	*	-	Tan	*	-	-	-	-	-
T2T	WT	-	*	-	Tan	*	-	-	*	-	-
H2B	WM	-	*	-	Light Blue	*	-	-	*	-	-
H2C	WM	-	*	-	White and Blue	*	-	-	*	-	-
H2F	WM	-	*	-	White and Green	*	-	-	*	-	-
H2G	WM	-	*	-	Dark Green	*	-	-	*	-	-
H2R	WM	-	*	-	Red	*	-	-	*	-	-
H2T	WM	-	*	-	Tan	*	-	-	*	-	-
H2W	WM	-	*	-	White and Black	*	-	-	*	-	-
H2X	WM	-	*	-	Black	*	-	-	*	-	-
M6B	WM	-	*	-	Light Blue	*	-	-	*	-	-
M6C	WM	-	*	-	White and Blue	*	-	-	*	-	-
M6F	WM	-	*	-	White and Green	*	-	-	*	-	-
M6G	WM	-	*	-	Dark Green	*	-	-	*	-	-
M6R	WM	-	*	-	Red	*	-	-	*	-	-
M6T	WM	-	*	-	Tan	*	-	-	*	-	-
M6W	WM	-	*	-	White and Black	*	-	-	*	-	-
M6X	WM	-	*	-	Black	*	-	-	*	-	-
H1B	WH	*	*	-	Light Blue	*	-	-	-	-	-
H1G	WH	*	*	-	Dark Green	*	-	-	-	-	-
H1X	WH	*	*	-	Black	*	-	-	-	-	-
H1Y	WH	*	*	-	Gold	*	-	-	-	-	-
H2B	WH	-	*	-	Light Blue	*	-	-	*	-	-
H2C	WH	-	*	-	White and Blue	*	-	-	*	-	-
H2F	WH	-	*	-	White and Green	*	-	-	*	-	-
H2G	WH	-	*	-	Dark Green	*	-	-	*	-	-
H2R	WH	-	*	-	Red	*	-	-	*	-	-
H2T	WH	-	*	-	Tan	*	-	-	*	-	-
H2W	WH	-	*	-	White and Black	*	-	-	*	-	-
H2X	WH	-	*	-	Black	*	-	-	*	-	-
D2D	WH	-	*	-	Dark Blue	-	-	*	-	-	-
D2G	WH	-	*	-	Dark Green	-	-	*	-	-	-
D2T	WH	-	*	-	Tan	-	-	*	-	-	-
D2X	WH	-	*	-	Black	-	-	*	-	-	*
P2D	WP	-	*	-	Dark Blue	-	-	*	-	-	*
P2G	WP	-	*	-	Dark Green	-	-	*	-	-	*
P2T	WP	-	*	-	Tan	-	-	*	-	-	*
P2W	WP	-	*	-	White and Black	-	-	*	-	-	*
P2X	WP	-	*	-	Black	-	-	*	-	-	*
P3D	WP	*	*	-	Dark Blue	*	-	-	-	-	-
P3G	WP	*	*	-	Dark Green	*	-	-	-	-	-
P3X	WP	*	*	-	Black	*	-	-	-	-	-
P3Y	WP	*	*	-	Gold	*	-	-	-	-	-

1969 PASSENGER CAR PARTS CATALOG

INTERIOR TRIM

TRIM CODE	MODEL	MATERIAL			COLOR	SED.	4D. H.T.	57A. WGN.	2D. H.T.	SP. 2D. H.T.	CV. CP.
		Cloth	Vinyl	Leather							
CORONET											
P6C	WP	-	★	-	White and Blue	-	-	-	★	-	★
P6D	WP-WS	-	★	-	Dark Blue	-	-	-	★	-	★
P6F	WP-WS	-	★	-	White and Green	★	-	★	★	-	★
P6G	WP-WS	-	★	-	Dark Green	-	-	-	★	-	★
P6R	WP-WS	-	★	-	Red	★	-	-	★	-	★
P6T	WP-WS	-	★	-	Tan	-	-	-	★	-	★
P6V	WP-WS	-	★	-	White and Red	-	-	★	★	-	★
P6W	WP-WS	-	★	-	White and Black	-	-	-	★	-	★
P6X	WP-WS	-	★	-	Black	★	-	★	★	-	★
C6D	WP-WS	-	★	-	Dark Blue	-	-	-	★	-	★
C6G	WP-WS	-	★	-	Dark Green	-	-	-	★	-	★
C6R	WP-WS	-	★	-	Red	-	-	-	★	-	★
C6T	WP-WS	-	★	-	Tan	-	-	-	★	-	★
C6W	WP-WS	-	★	-	White and Black	-	-	-	★	-	★
C6X	WP-WS	-	★	-	Black	-	-	-	★	-	★
C5X	WP-WS	★	★	-	Black	-	-	-	★	-	★
CRD	WP-WS	★	★	-	Dark Blue	-	-	-	★	-	★
CRG	WP-WS	★	★	-	Dark Green	-	-	-	★	-	★
CRT	WP-WS	★	★	-	Tan	-	-	-	★	-	★
CRX	WP-WS	★	★	-	Black	-	-	-	★	-	★

NOTES

1969 PASSENGER CAR PARTS CATALOG

TRIM CODE	MODEL	MATERIAL			COLOR	SED.	4D. H.T.	STA. WGN.	2D. H.T.	CV. CP.
		Cloth	Viny.	Leather						

DODGE

L1B	DL-DK	*	*	-	Light Blue	*	*	-	*	-
L1G	DL-DK	*	*	-	Green	*	*	-	*	-
L1X	DL-DK	*	*	-	Black	*	*	-	*	-
L1Y	DL-DK	*	*	-	Gold	*	*	-	*	-
L2B	DL-DK	-	*	-	Light Blue	*	*	*	*	*
L2G	DL-DK	-	*	-	Green	*	*	*	*	-
L2T	DL-DK	-	*	-	Tan	*	*	-	*	*
L2W	DL-DK	-	*	-	White	*	*	-	*	*
L2X	DL-DK	-	*	-	Black	*	*	*	*	*
K1A	DL-DK	*	*	-	Gray	*	-	-	-	-
K2A	DL-DK-DT	-	*	-	Gray	*	-	-	*	*
M6B	DM	-	*	-	Light Blue	-	-	-	*	*
M6G	DM	-	*	-	Green	-	-	-	*	*
M6T	DM	-	*	-	Tan	-	-	-	*	*
M6W	DM	-	*	-	White	-	-	-	*	*
M6X	DM	-	*	-	Black	-	-	-	*	*
H1B	DH	*	*	-	Light Blue	*	-	-	-	-
H1G	DH	*	*	-	Green	*	-	-	-	-
H1L	DH	*	*	-	Champagne	*	-	-	-	-
H1X	DH	*	*	-	Black	*	-	-	-	-
H1Y	DH	*	*	-	Gold	*	-	-	-	-
H4D	DH	-	*	-	Dark Blue	-	*	*	*	-
H4G	DH	-	*	-	Green	-	*	*	*	-
H4H	DH	-	*	-	White and Tan	-	*	*	*	-
H4T	DH	-	*	-	Tan	-	*	*	*	-
H4X	DH	-	*	-	Black	-	*	*	*	-
H4Y	DH	-	*	-	Gold	-	*	-	*	-
H6G	DH	-	*	-	Green	-	*	-	*	-
H6W	DH	-	*	-	White	-	*	-	*	-
H6X	DH	-	*	-	Black	-	*	-	*	-
H6Y	DH	-	*	-	Gold	-	*	-	*	-
H7B	DH	*	*	-	Light Blue	*	*	-	-	-
H7G	DH	*	*	-	Green	*	*	-	-	-
H7X	DH	*	*	-	Black	*	*	-	-	-
H8T	DH	-	*	-	Tan	-	-	*	-	-
H8X	DH	-	*	-	Black	-	-	*	-	-

NOTES

1969 PASSENGER CAR PARTS CATALOG

INTERIOR TRIM

TRIM CODE	MODEL	MATERIAL			COLOR	SED.	4D. H.T.	STA. WGN.	2D. H.T.	CV. CP.
		Cloth	Vinyl	Leather						
DART										
L1B	LL	★	★	-	Blue	★	-	-	-	-
L1R	LL	★	★	-	Red	★	-	-	-	-
L1X	LL	★	★	-	Black	★	-	-	-	-
L2B	LL	-	★	-	Blue	★	-	-	★	-
L2T	LL	-	★	-	Tan	★	-	-	-	-
L2X	LL	-	★	-	Black	★	-	-	★	-
D2B	LL	-	★	-	Blue	-	-	-	★	-
D2T	LL	-	★	-	Tan	-	-	-	★	-
D2X	LL	-	★	-	Black	-	-	-	★	-
X1G	LL	★	★	-	Green	★	-	-	-	-
X2R	LH	-	★	-	Red	★	-	-	-	-
H1B	LH	★	★	-	Blue	★	-	-	-	-
H1G	LH	★	★	-	Green	★	-	-	-	-
H1L	LH	★	★	-	Champagne and Black	★	-	-	-	-
H1X	LH	★	★	-	Black	★	-	-	-	-
H2B	LH	-	★	-	Blue	★	-	-	★	-
H2C	LH	-	★	-	White and Blue	-	-	-	★	-
H2G	LH	-	★	-	Green	★	-	-	★	-
H2R	LH	-	★	-	Red	-	-	-	★	-
H2T	LH	-	★	-	Tan	★	-	-	★	-
H2W	LH	-	★	-	White	-	-	-	★	-
H2X	LH	-	★	-	Black	★	-	-	★	-
H6B	LH	-	★	-	Blue	★	-	-	-	-
H6X	LH	-	★	-	Black	★	-	-	-	-
P2B	LP-LS	-	★	-	Blue	-	-	-	-	★
P2R	LP-LS	-	★	-	Red	-	-	-	-	★
P2W	LP-LS	-	★	-	White	-	-	-	-	★
P2X	LP-LS	-	★	-	Black	-	-	-	-	★
P6B	LP-LS	-	★	-	Blue	-	-	-	★	★
P6C	LP-LS	-	★	-	White and Blue	-	-	-	★	★
P6E	LP-LS	-	★	-	White and Gold	-	-	-	★	-
P6F	LP-LS	-	★	-	White and Green	-	-	-	★	★
P6G	LP-LS	-	★	-	Green	-	-	-	★	★
P6R	LP-LS	-	★	-	Red	-	-	-	★	★
P6W	LP-LS	-	★	-	White	-	-	-	★	★
P6X	LP-LS	-	★	-	Black	-	-	-	★	★
P6Y	LP-LS	-	★	-	Gold	-	-	-	★	★

NOTES

TRIM CODE	MODEL	MATERIAL			COLOR	SED.	4D. H.T.	STA. WGN.	2D. H.T.	CV. CP.
		Cloth	Viny	Leather						
CHRYSLER										
E1D	CE	*	*	-	Blue	*	*	-	*	-
E1G	CE	*	*	-	Green	*	*	-	*	-
E1L	CE	*	*	-	Champagne	*	*	-	*	-
E1Q	CE	*	*	-	Turquoise	*	*	-	*	-
E1X	CE	*	*	-	Black	*	*	-	*	-
E2D	CE	-	*	-	Blue	*	*	-	*	-
E2T	CE	-	*	-	Saddle	*	*	-	*	-
E2X	CE	-	*	-	Black	*	*	-	*	-
E2Y	CE	-	*	-	Gold	*	*	-	*	-
E6T	CE	-	*	-	Saddle	-	-	-	*	-
E6W	CE	-	*	-	White	-	-	-	*	-
E6X	CE	-	*	-	Black	-	-	-	*	-
L3D	CL	*	*	-	Blue	*	*	-	*	-
L3G	CL	*	*	-	Green	*	*	-	*	-
L3Q	CL	*	*	-	Turquoise	*	*	-	*	-
L3X	CL	*	*	-	Black	*	*	-	*	-
L3Y	CL	*	*	-	Gold	*	*	-	*	-
L7E	CL	*	*	-	Briar	*	*	-	*	-
L7L	CL	*	*	-	Champagne	*	*	-	*	-
L8X	CL	-	*	-	Black	*	*	-	*	-
L4D	CL	-	*	-	Blue	*	*	-	*	-
L4E	CL	-	*	-	Briar	*	*	-	*	-
L4X	CL	-	*	-	Black	*	*	-	*	-
M3G	CM	*	*	-	Green	-	*	-	*	-
M3X	CM	*	*	-	Black	-	*	-	*	-
M3Y	CM	*	*	-	Gold	-	*	-	*	-
M4E	CM	*	*	-	Briar	-	*	-	*	-
M4X	CM	*	*	-	Black	-	*	-	*	-
M5L	CM	*	*	-	Champagne	-	*	-	*	-
M6D	CM	-	*	-	Blue	-	*	-	*	-
M6G	CM	-	*	-	Green	-	*	-	*	-
M6T	CM	-	*	-	Saddle	-	*	-	*	-
M6W	CM	-	*	-	White	-	*	-	*	-
M6X	CM	-	*	-	Black	*	*	-	*	-
H1D	CH	*	*	-	Blue	*	*	-	*	-
H1G	CH	*	*	-	Green	*	*	-	*	-
H1Q	CH	*	*	-	Turquoise	*	*	-	*	-
H1X	CH	*	*	-	Black	*	*	-	*	-
H1Y	CH	*	*	-	Gold	*	*	-	*	-
H3D	CH	*	*	-	Blue	-	-	-	*	-
H3G	CH	*	*	-	Green	-	-	-	*	-
H3Q	CH	*	*	-	Turquoise	-	-	-	*	-
H3X	CH	*	*	-	Black	-	-	-	*	-
H3Y	CH	*	*	-	Gold	-	-	-	*	-
H6D	CH	-	*	-	Blue	-	-	-	*	-
H6T	CH	-	*	-	Saddle	-	-	-	*	-
H6W	CH	-	*	-	White	-	-	-	*	-
H6X	CH	-	*	-	Black	-	-	-	*	-
H7D	CH	*	*	-	Blue	*	*	-	*	-
H7E	CH	*	*	-	Briar	*	*	-	*	-
H7L	CH	*	*	-	Champagne	-	*	-	*	-
H8L	CH	-	*	-	Champagne	-	*	-	*	-
H8X	CH	-	*	-	Black	*	*	-	*	-

1969 PASSENGER CAR PARTS CATALOG

INTERIOR TRIM

TRIM CODE	MODEL	MATERIAL			COLOR	SED.	4D. H.T.	STA. WGN.	2D. H.T.	CV. CP.
		Cloth	Vinyl	Leather						
CHRYSLER										
HST	CH	-	-	★	Saddle	★	-	-	-	-
M1D	YM	★	★	-	Dark Blue	★	-	-	-	-
M1G	YM	★	★	-	Green	★	-	-	-	-
M1K	YM	★	★	-	Walnut and Beige	★	-	-	-	-
M1M	YM	★	★	-	Burgundy	★	-	-	-	-
M1Q	YM	★	★	-	Turquoise	★	-	-	-	-
M1X	YM	★	★	-	Black	★	-	-	-	-
MBD	YM	★	-	★	Dark Blue	-	-	-	★	-
MBG	YM	★	-	★	Green	-	-	-	★	-
MBK	YM	★	-	★	Walnut and Beige	-	-	-	★	-
MBM	YM	★	-	★	Burgundy	-	-	-	★	-
MBQ	YM	★	-	★	Turquoise	-	-	-	★	-
MBX	YM	★	-	★	Black	-	-	-	★	-
MRB	YM	-	-	★	Light Blue	-	-	-	★	-
MRG	YM	-	-	★	Green	-	-	-	★	-
MRT	YM	-	-	★	Saddle	-	-	-	★	-
MRW	YM	-	-	★	White	-	-	-	★	-
MRX	YM	-	-	★	Black	-	-	-	★	-
MDD	YM	★	-	☆	Dark Blue	-	★	-	-	-
MDG	YM	★	-	★	Green	-	★	-	-	-
MDK	YM	★	-	★	Walnut and Beige	-	★	-	-	-
MDM	YM	★	-	★	Burgundy	-	★	-	-	-
MDQ	YM	★	-	★	Turquoise	-	★	-	-	-
MDX	YM	★	-	★	Black	-	★	-	-	-
MSB	YM	-	-	★	Light Blue	-	★	-	-	-
MSD	YM	-	-	★	Dark Blue	-	★	-	-	-
MSG	YM	-	-	★	Green	-	★	-	-	-
MSN	YM	-	-	★	Black Gold and Black	-	★	-	-	-
MSR	YM	-	-	★	Red	-	★	-	-	-
MST	YM	-	-	★	Saddle	-	★	-	-	-
MSW	YM	-	-	★	White	-	★	-	-	-
MSX	YM	-	-	★	Black	-	★	-	-	-
MSY	YM	-	-	★	Gold	-	★	-	-	-

NOTES

CODE	PART NAME	CAR LINE	PART NUMBER	Sed.	4 D.H.T.	Sta. Wgn.	2 D.H.T.	Sp. 2 D.H.T.	Conv.
NOTE: Part No's Preceded by Letter "C" are peculiar to Canadian Models only.									
23-71-1	CARPET, Console Side and Rear								
	CODES								
	AUTO TRANS.								
	P6D, P6C, C5D, C6D								
	Rt.....	R,W	3551 EB9	—	—	—	1	1	1
	Lt.....	R,W	3553 EB9	—	—	—	1	1	1
	P6F, P6G, C5G, C6G								
	Rt.....	R,W	3551 EF9	—	—	—	1	1	1
	Lt.....	R,W	3553 EF9	—	—	—	1	1	1
	P6X, P6W, P6S, C5W, C6W								
	Rt.....	R,W	3551 EX8	—	—	—	1	1	1
	Lt.....	R,W	3553 EX8	—	—	—	1	1	1
	P6R, P6V, C6R								
	Rt.....	R,W	3551 ER6	—	—	—	1	1	1
	Lt.....	R,W	3553 ER6	—	—	—	1	1	1
	P6H, P6T, C5T, C6T								
	Rt.....	R,W	3551 ET8	—	—	—	1	1	1
	Lt.....	R,W	3553 ET8	—	—	—	1	1	1
	AUTO. TRANS.								
	H6B, H6C, D6B, P6B, P6C	B,L	3563 EB9	—	—	—	1	1	1
	H6F, H6G, D6G, P6F, P6G,								
	F6J, D6J	B,L	3563 EF9	—	—	—	1	1	1
	H6R, D6R, P6R	B,L	3563 ER6	—	—	—	1	1	1
	D6T	B	3563 ET8	—	—	—	1	1	1
	H6W, H6X, D6X, D6P, P6W,								
	P6X, F6P	B,L	3563 BX8	—	—	—	1	1	1
	P6E, P6F, P6Y	L	3563 EY5	—	—	—	1	—	1
	4 SPEED MAN. TRANS.								
	CARPET and FOUND. LEFT SIDE								
	H6B, H6C, D6B, P6B, P6C	B,L	3567 EB9	—	—	—	1	1	1
	H6F, H6G, D6G, P6F, P6G,								
	F6J	B,L	3567 EF9	—	—	—	1	1	1
	H6R, D6R, P6R, H6V	B,L	3567 ER6	—	—	—	1	1	1
	D6T	B	3567 ET8	—	—	—	1	1	1
	H6W, H6X, D6X, D6P, P6W,								
	P6X, F6P	B,L	3567 CX8	—	—	—	1	1	1
	P6Y, P6E	L	3567 EY5	—	—	—	1	—	1
	Screw, Carpet to Console Att.	B,L	6024 654	—	—	—	1	1	1
	END CAP CARPET EXTENSION								
	M6D, M6B, H6D, C6D, P6C,								
	P6D, C5D	R,W, P,D,C	3550 EB9	—	1	—	1	1	1
	L6G, M6G, H6G, C5G, C6G,								
	P6F, P6G	R, W, P, D,C	3550 EF9	—	—	—	1	1	1
	H6R, C6R, P6V, P6R	R,W,P,D	3550 ER6	—	—	—	1	—	1
	E6T, L6T, M6T, H6T, C5T,								
	C6T, P6T, P6H	R,W,P,D,C	3550 ET8	—	—	—	1	1	1
	H6Y	D	3550 EY5	—	—	—	1	—	—
	L5L, M8L	C	3550 EY8	—	1	—	1	—	—
	E6W, E6X, L6W, L6X, M6W, M6X, H6W,								
	H6X, H6S, C5X, C6W, C6X, P6W, P6X, P6S.	R, W, P, D, C	3550 EX8	—	—	—	1	1	1
	M6D, M6B, H6D, C5D, C6D, P6D, P6C	R, W, P, D, C	4987 EB9	—	1	—	1	1	1
	L6G, M6G, H6G, C5G, C6G, P6G, P6F	R, W, P, D, C	4987 EF9	—	1	—	1	1	1
	E6W, E6X, L6W, L6X, M6W, M6X, H6W,								
	H6X, H6S, C5X, C6W, C6X, P6W, P6X,								
	P6S	R,W,P,D,C	4987 EX8	—	1	—	1	1	1

NOTE: A letter code in the carline column indicates the carline for which the part is released as follows:

CARLINES Indicate:	B - Barracuda	V - Valiant	R - Belvedere	P - Plymouth	C - Chrysler
		L - Dart	W - Coronet	D - Dodge	Y - Imperial

AR Indicates use as required.
 ★ Indicates change or addition.

Right and left part numbers are on same line,
 first number is right, second number is left.

Printed in U.S.A.
 January 1971

1969 PASSENGER CAR PARTS CATALOG

INTERIOR TRIM

CODE	PART NAME	CAR LINE	PART NUMBER	Sed.	4 D.H.T.	Sta. Wgn.	2 D.H.T.	Sp. 2 D.H.T.	Conv.
23-71-1	CARPET, Console Side and Rear Cont'd.								
	H6R, C6R, P6R, P6V	R,W,P	4987 ER6	—	—	—	1	1	1
	E6T L6T, M6T, H6T, C5T, C6T, P6T, P6H	R,W,P,D,C	4987 ET8	—	1	—	1	1	1
	H6Y	D	4987 EY5	—	—	—	1	—	—
	L6L, M5L	C	4987 EY8	—	1	—	1	—	—
	CONSOLE SIDE								
	M6B, M6D, H6D, P6D	P,D,C	3551-2 EB9	—	1	—	1	1	1
	L6G, M6G, H6G, P6G	P,D,C	3551-2 EF9	—	1	—	1	1	—
	E6W, E6X, M6W, M6X, H6W, H6S, H6X								
	L6W, L6X, P6S, P6W, P6X	P,D,C	3551-2 BX8	—	1	—	1	1	1
	H6R, P6R	D,P	3551-2 ER6	—	—	—	1	—	1
	E6T, L6T, M6T, H6T, P6T	P, D, C	3551-2 ET8	—	1	—	1	—	—
	H6Y	D	3551-2 EY5	—	—	—	1	—	—
	L5L, M5L	C	3551-2 EY8	—	1	—	1	—	—
	MOULDED CARPET, LT. SIDE								
	4SPEED MAN. TRANS.								
	P6C, P6D, M6B, M6C, C6D, CRD	R,W	4406 EB9	—	—	—	1	1	1
	P6F, P6G, M6F, M6G, C6G, CRG	R,W	4406 EF9	—	—	—	1	1	1
	P6R, P6V, C6R, M6R	R,W	4406 ER6	—	—	—	1	1	1
	P6H, P6T, M6H, M6T, C6T, CRT	R,W	4406 ET8	—	—	—	1	1	1
	P6S, P6W, P6X, M6S, M6W, M6X, C6W,								
	C5X, C6X, CRX	R,W	4406 CX8	—	—	—	1	1	1
23-71-6	BRACKET, Console Front Trim Pad to								
	Console Base Rear	B,L	2878 716	—	—	—	1	1	1
	Screw, Console to Pad, Rr. Brkt. to								
	Pad, Frt. Pad Rr. Brkt. to Console	B, L	9416 049	—	—	—	AR	AR	AR
	Screw, Pad Frt. Att.	R,W,P,D,C	2878 519	—	1	—	1	1	1
23-71-8	CLIP, Floor Tunnel Console Foundation	R,W,P,D,C	9420 813	—	2	—	2	2	2
23-76-7	BRACKET, Rear Quarter Arm Rest to	B,L	2788 700	—	—	—	1	1	1
	Quarter Inner Reinforcement	P,D,C	2878 710-1	—	—	—	—	—	1
23-76-9	BASE, Arm Rest								
	FRT. AND RR. DOOR								
	CODES								
	D1B, D2B, D4B, L1B, L2B, H1B, H2B,								
	H4B, H6B	V,L	1210-1 EB3	1	—	—	1	—	—
	X1G, H1G, H2G	V,L	1210-1 EF3	1	—	—	1	—	—
	L2L, H1L	L	1210-1 EL3	1	—	—	—	—	—
	D2R, L1R, L2R, D4R, H2R, H4R, X2R	V,L	1210-1 ER6	1	—	—	1	—	—
	D2T, L2T, H2T	V,L	1210-1 ET4	1	—	—	1	—	—
	H2C, H2W, H6C, H6E, H6F, H6V, H6W	V,L	1210-1 EW1	1	—	—	1	—	—
	D1X, D2X, D4X, X1X, L1X, L2X, H1X,								
	H2X, H4X, H6X	V,L	1210-1 DX9	1	—	—	1	—	—
	H2Y, H4Y	V	1210-1 EY4	1	—	—	—	—	—
	X1T	B	1210-1 DZ1	—	—	—	—	1	—
	Bright	B,L	1210-1 DZ1	—	—	—	1	1	1
	QUARTER								
	D1B, D2B, D4B, L1B, L2B, H1B, H2B, H4B	V,L	1208 EB3	2	—	—	2	—	—
	H1G, H2G	V,L	1208 EF3	2	—	—	2	—	—
	D4R, L1R, H2R, H4R	V,L	1208 ER6	2	—	—	2	—	—
	D2T, L2T, H2T	V,L	1208 ET4	2	—	—	2	—	—
	H2C, H2W, H6C, H6E, H6F, H6V, H6W	V,L	1208 EW1	2	—	—	2	—	—
	D1X, D2X, X1X, L1X, L2X, D4X, H1X,								
	H4X, H6X	V,L	1208 DX9	2	—	—	2	—	—
	H4Y	V	1208 EY4	2	—	—	—	—	—
	Bright	B,L	1208 DZ1	—	—	—	2	2	—
	FRT. AND RR. DOOR, SHORT								
	L1B, L2B, E1B, E2B, X2B, M1B, M2B	R,W,P,D	1213 EB3	2	—	2	2	—	—
	M2B	W	1213 EB3	2	—	—	—	—	—
	L1G, M1G	P,D	1213 EF3	2	—	—	2	—	—

NOTE: A letter code in the carline column indicates the carline for which the part is released as follows:

CARLINES Indicate:	B - Barracuda	V - Valiant L - Dart	R - Belvedere W - Coronet	P - Plymouth D - Dodge	C - Chrysler Y - Imperial
--------------------	---------------	-------------------------	------------------------------	---------------------------	------------------------------

AR Indicates use as required.

★ Indicates change or addition.

Right and left part numbers are on same line,
first number is right, second number is left.

Printed in U.S.A.
January 1971

CODE	PART NAME	CAR LINE	PART NUMBER	Sed.	4 D.H.T.	Sta. Wgn.	2 D.H.T.	Sp. 2 D.H.T.	Conv.
23-76-9	BASE, Arm Rest Cont'd.								
	L1L, L2L, E1L, E2L, M1L	W,P,D	1213 EL3	2	—	2	2	—	—
	E2R, L2R, M2R, X2R	P,D	1213 ER6	2	—	2	2	—	—
	K1T, K2T, T2T, X1T, X2T, L1T, L2T, M2T	R, W, P, D	1213 ET4	2	—	2	2	—	—
	T2X, L2X, X2X, M2X, K2A	R,W,P,D	1213 DX9	2	—	2	2	—	—
	L2W, M2W	P,D	1213 EW1	—	—	2	—	—	—
	D2X, X1G	R,W	1213 BZ1	2	—	2	—	—	—
	Bright	R,W,D,P,C	1213 BZ1	2	2	—	2	—	2
	FRT. AND RR. DOOR, LONG								
	E1D, E2D	C	1212 EB9	2	2	—	2	—	2
	E1G	C	1212 EF3	2	2	—	2	—	—
	E1L	C	1212 EL3	2	2	—	2	—	—
	E1Q	C	1212 DQ4	2	2	—	2	—	—
	E2T, E6T	C	1212 ET4	—	2	—	2	—	—
	E6W	C	1212 EW1	—	—	—	2	—	2
	E1X, E2X, E6X	C	1212 DX9	2	2	—	2	—	2
	E2Y	C	1212 EY4	2	2	—	2	—	2
	Bright	C,Y	1212 BZ1	2	2	2	2	—	2
	FRT. DOOR, LONG								
	Bright	W,P,D	1212 BZ1	2	2	2	2	2	2
	QTR. ARM REST PANEL	P,D,C	2878 488-9	—	—	—	—	—	1
	MDD, D1D, MSD, M1D	Y	1218-9 EB9	1	1	—	—	—	—
	MSB, MRB	Y	1218-9 EB3	—	1	—	1	—	—
	MDG, D1G, MSD, MBG, MRG	Y	1218-9 EF8	—	1	—	1	—	—
	M1G	Y	1218-9 EF3	1	—	—	—	—	—
	MDK, D1K, MBK, M1K3	Y	1218-9 ET1	1	1	—	1	—	—
	MDM, D1M, MBM, M1M	Y	1218-9 EM9	1	1	—	1	—	—
	MDQ, D1Q, MBQ, M1Q	Y	1218-9 EQ4	1	1	—	1	—	—
	MST, MRT	Y	1218-9 ET8	—	1	—	1	—	—
	MDX, MSX, MBX, MRX, M1X	Y	1218-9 EX9	1	1	—	1	—	—
	MSN	Y	1218-9 EY9	—	1	—	—	—	—
	MSW, MRW	Y	1218-9 EW1	—	1	—	1	—	—
	MSY	Y	1218-9 EY4	—	1	—	—	—	—
	MSR	Y	1218-9 ER6	—	1	—	—	—	—
	QUARTER ARM REST								
	E1D, E2D	C	1250 EB9	—	—	—	2	—	—
	E1G, M1G	D,C	1250 EF3	—	—	—	2	—	—
	E1L, L1L, M1L	W,P,D,C	1250 EL3	2	—	—	2	—	—
	E1Q	C	1250 CQ4	—	—	—	2	—	—
	K1T, K2T, L2T, E2T, E6T, M2T	R,W,P,D,C	1250 ET4	2	—	—	2	—	—
	E6W	C	1250 EW1	—	—	—	2	—	—
	E1X, E2X, E6X, L1X, M2X, L2X	R,W,P,D,C	1250 DX9	2	—	—	2	—	—
	E2Y	C	1250 EY4	—	—	—	2	—	—
	E1B, L2B, M2B, M1B	R,W,P,D	1250 EB3	2	—	—	2	—	—
	L1B	W	1250 EB3	2	—	—	—	—	—
	Bright	R,W,P,D,C	1250 BZ1	2	—	—	2	2	—
	QUARTER ARM REST								
	M3D, MBD	Y	1220-1 EB3	—	—	—	1	—	—
	MRB	Y	1220-1 EB9	—	—	—	1	—	—
	M3G, MBG, MRG	Y	1220-1 EF8	—	—	—	1	—	—
	M3K, MBK	Y	1220-1 ET1	—	—	—	1	—	—
	M3M, MBM	Y	1220-1 EM9	—	—	—	1	—	—
	M3Q, MBQ	Y	1220-1 EQ4	—	—	—	1	—	—
	MRT	Y	1220-1 ET8	—	—	—	1	—	—
	MRW	Y	1220-1 EW1	—	—	—	1	—	—
	M3X, MBX, MRX	Y	1220-1 EX9	—	—	—	1	—	—
	Screw, Rr. Door Arm Rest Base to								
	Hsg. Att.	Y	9416 049	2	2	—	—	—	—
	Screw, Frt. Door Arm Rest Brkt. to								
	Door Arm Rest Hsg. Att.	Y	9416 049	2	2	—	—	2	—

NOTE: A letter code in the carline column indicates the carline for which the part is released as follows:

CARLINES Indicate:	B - Barracuda	V - Valiant L - Dart	R - Belvedere W - Coronet	P - Plymouth D - Dodge	C - Chrysler Y - Imperial
--------------------	---------------	-------------------------	------------------------------	---------------------------	------------------------------

AR Indicates use as required.
★ Indicates change or addition.

Right and left part numbers are on same line,
first number is right, second number is left.

Printed in U.S.A.
January 1971

1969 PASSENGER CAR PARTS CATALOG

INTERIOR TRIM

CODE	PART NAME	CAR LINE	PART NUMBER						Conv.
				Sed.	4 D.H.T.	Sta. Wgn.	2 D.H.T.	Sp. 2 D.H.T.	
23-76-9	BASE, Arm Rest Cont'd.								
	J-Nut, Door Arm Rest Base.....	Y	6024 214	12	12	—	—	12	—
	Nut, Qtr. Arm Rest Hsg. to Base Att.....	Y	6024 214	—	—	—	4	—	—
	Screw, Qtr. Arm Rest to Flr. Brkt.....	P,D,C	6026 092	—	—	—	—	—	6
	Nut, push-on.....	Y	6027 499	2	2	—	—	—	—
23-76-10	PAD, Front Door Arm Rest Storage Compartment Lid								
	CODES								
	MSB, MRB.....	Y	1232 EB3	—	2	—	2	—	—
	MDD, M3D, MSD, MID, DID, MBD.....	Y	1230 EB9	2	2	—	2	—	—
	M1G, D1G.....	Y	1232 EF3	2	—	—	—	—	—
	MDK, D1K, M1K, M3K, MBK.....	Y	1232 ET1	2	2	—	2	—	—
	M3G, MDG, MSG, MBG, MRG.....	Y	1232 EF8	—	2	—	2	—	—
	MDM, D1M, M1M, M3M, MBM.....	Y	1232 EM9	2	2	—	2	—	—
	MSN.....	Y	1232 EY9	—	2	—	—	—	—
	MDQ, D1G, M1Q, M3G, MBQ.....	Y	1232 EQ4	2	2	—	2	—	—
	MSR.....	Y	1232 ER6	—	2	—	—	—	—
	MST, MRT.....	Y	1232 ET8	—	2	—	2	—	—
	MSW, MRW.....	Y	1232 EW1	—	2	—	2	—	—
	MDX, D1X, MSX, M1X, M3X, MBX, MRX.....	Y	1232 EX9	2	2	—	2	—	—
	MSY.....	Y	1232 EY4	—	2	—	—	—	—
	Screw, Fin. Plate Att.....	Y	9417 984	12	12	—	12	—	—
23-76-11	PAD, front Door Arm Rest								
	CODES								
	D1B, D2B, D4B, L1B, L2B, H1B, H2B, H4B, H6B, P2B, P6B.....	V,L	1214 EB3	2	—	—	2	—	—
	L2B, H4B, H6B, D6B.....	B	1214 EB5	—	—	—	2	2	2
	D6S.....	B	1214 DX9	—	—	—	2	2	2
	H1G, H2G, X1G, P6G.....	V,L	1214 EF3	2	—	—	2	—	2
	H6G, D6G.....	B	1214 EF8	—	—	—	2	2	2
	H1L.....	L	1214 EL3	2	—	—	—	—	—
	D2R, D4R, L1R, H1R, H2R, H6R, D6R, L2R, P2R, P6R.....	V,B,L	1214 ER6	2	—	—	2	2	2
	L2T, D6J, D6T, D6U, X1T, D2T, H2T, F6J3 H2C, H2W, H4C, H4F, H4V, H4W, H6C, H6E, H6F, H6W, P2C, P2W, P6C, P6E, P6F, P6W.....	V,B,L	1214 EW1	2	—	2	2	2	—
	D6P, F6P.....	B	1214 EY3	—	—	—	2	2	2
	D1X, D2X, X1X, L1X, L2X, H1X, H2X, H4X, H6X, D6X, P2X, P6X.....	V,B,L	1214 DX9	2	—	—	2	2	2
	H1Y, H2Y, H4Y, P6Y.....	V,L	1214 EY4	2	—	—	2	2	2
	w/o Ash Rec.								
	E1B, E2B, L1B, L2B, M2B, X2B, M6B 6Pass.....	R,P,D	1249 EB3	2	—	2	2	—	—
	L1B, L2B, X2B 6 Pass.....	W	1249 EB7	2	—	2	—	—	—
	M6B, H1B, H2B, P2D, P3D, P3B, P6D, F2Q, D2D.....	R,W	1249 EB7	2	—	2	2	—	2
	H1G, H2G.....	R,W	1249 EF3	2	—	2	2	—	—
	L1G, L2G, M1G, M6G.....	R,P,D	1249 EF3	2	2	2	2	—	—
	M6G.....	W	1249 EF8	2	—	—	2	—	—
	X1G, P2G, P3G, P6G, D2G.....	R,W	1249 EF8	2	—	2	2	—	2
	E1L, E2L, L1L, M1L.....	W,P,D	1249 EL3	2	—	2	2	—	—
	E2R, L2R, M6R, H2R, P6R.....	R,W,P,D	1249 ER6	2	—	2	2	—	—
	L1T, M2R, X2R, L2T, D2T, X2T, X1T M2T, M6T, H1T, H2T, P2T, P6T.....	R,W,D	1249 ET4	2	—	2	2	—	2
	K1T, K2T, T2T.....	R,W	1249 ET8	2	—	—	—	—	—
	K1T, K2T, L2T, M6T.....	P,D	1249 ET4	2	2	2	2	—	—
	L2W, M6C, M6F, M6W, M6H, H2C, H2F, H2H, H2W, P2C, P2F, P2H, P6C, P6F, P6V, P6H, P6W, M2W.....	R,W,P,D	1249 EW1	2	—	2	2	—	2

NOTE: A letter code in the carline column indicates the carline for which the part is released as follows:

CARLINES Indicate:	V - Valiant	R - Belvedere	P - Plymouth	C - Chrysler
B - Barracuda	L - Dart	W - Coronet	D - Dodge	Y - Imperial

AR Indicates use as required.
★ Indicates change or addition.

Right and left part numbers are on same line,
first number is right, second number is left.

Printed in U.S.A.
January 1971

CODE	PART NAME	CAR LINE	PART NUMBER	Sed.	4 D.H.T.	Sta. Wgn.	2 D.H.T.	Sp. 2 D.H.T.	Conv.
23-76-11	PAD, Front Door Arm Rest Cont'd.								
	L1X, L2X, M2X, T2X, X2X, M6X, D2X, H1X, H2X, P2X, P3X, P6X, K1A, K2A	R,W,P,D	1249 DX9	2	—	2	2	—	2
	M6S, H2S, P2S, P6S, H4S	R,W,D	1249 EA4	2	2	2	2	—	2
	L1Y, H1Y, P3Y	W,D	1249 EY4	2	—	—	—	—	—
	w/o Ash rec.								
	M1D, M4D, H1D, H6D, P3D, H4D, C6D, CRD, P6D ...	W,D,P	1272-3 EB7	1	1	1	1	—	1
	HB, H7B, S7B	D	1272-3 EB3	1	1	—	—	—	—
	M1L, H1L	P,D	1272-3 EL3	1	—	—	—	—	—
	M1G, M4G, H4G, H6G P3G	P,D	1272-3 EF8	1	1	1	1	—	—
	H1G, H7G, S7G	D	1272-3 EF3	1	1	—	—	—	—
	H1G, H4G, P6G Canada	D	1272-3 EF8	1	1	1	1	—	—
	H1R, H4R, P6R	D	1272-3 ER6	1	1	1	1	—	1
	M4S, H6S	P	1272-3 EA4	1	1	1	1	—	—
	M4T, H6T, P4T, H4T, H8T, C6T, CRT, P6T	P,D	1272-3 ET4	1	1	1	1	—	—
	M4W, H4H, H6W, P4W, H4W, C6W, P6W	P,D	1272-3 EW1	—	1	1	1	—	1
	M1X, M4X, M8X, X4X, X6X, H6X, P3X, P7X, P6X, P8X, PPX, C5X, C6X, CRX, H1X, H4X, H6X, H7X, H8X	W,P,D	1272-3 DX9	1	1	1	1	—	1
	H1Y, H4Y, H6Y	D	1272-3 EY4	—	1	—	1	—	—
	E1D, E2D, E4D, L3D, L4D, M4D, M6D, H1D, H3D, H6D, H7D, M1D, M6D	C,Y	1272-3 EB9	1	1	—	1	—	1
	E4E, L4E, L7E, M4E, H7E	C	1272-3 EE9	1	1	—	1	—	—
	E1G, M1G	C,Y	1272-3 EF3	1	1	—	1	—	—
	E4G, E8G, L3G, M3G, M6G, H1G, H3G	C	1272-3 EF8	1	1	1	1	—	1
	E1L, E7L, L5L, L7L, M5L, H7L, H8L	C	1272-3 EL3	1	1	1	1	—	—
	E1Q, L3Q, M1Q, H1Q, H3Q	C,Y	1272-3 DQ4	1	1	—	1	—	—
	E2T, E4T, E6T, L6T, M6T, H5T, H6T	C	1272-3 ET4	1	1	1	1	—	1
	E6W, L6W, M6W, H6W	C	1272-3 EW1	—	1	—	1	—	1
	E1X, E2X, E4X, E6X, E8X, L2X, L3X, L4X, L6X, L8X, M3X, M4X M6X, H1X, H3X, H6X, H8X, M1X	C,Y	1272-3 DX9	1	1	1	1	—	1
	E2Y, L3Y, M3Y, H1Y, H3Y	C	1272-3 EY4	1	1	—	1	—	1
	M1M	Y	1272-3 EM9	1	—	—	—	—	—
	M1K	Y	1272-3 ET1	1	—	—	—	—	—
23-76-16	NUT, Door Arm Rest Base Attaching								
	Frnt.	V,B,L,R, W,P,D,C,Y	1280 134	1	1	1	1	1	1
	Rr.....	V,L,R,W, P,D,C,Y	1280 134	1	1	1	—	—	—
	Quarter	V,B,L,R, W,P,D,C,Y	1280 134	4	—	—	4	4	—
23-76-17	HINGE, Door Arm Rest Storage								
	Compartment Lid								
	Pad Frnt.	Y	2878 342	2	2	—	—	—	—
	Rr.....	Y	2879 392	2	2	—	—	—	—
23-76-18	ARM REST, Front Seat Back Center								
	CODES								
	D4B, H4B	V	8670 E4B	1	—	—	—	—	—
	D4R, H4R	V	8670 E4R	1	—	—	—	—	—
	D4X, H4X	V	8670 E4X	1	—	—	—	—	—
	H4Y	V	8670 E4Y	1	—	—	—	—	—
	H4B	B	8668 E4B	—	—	—	1	1	—
	H4C, H4F, H4V, H4W	B	8668 E4W	—	—	—	1	1	—
	H4X	B	8668 E4X	—	—	—	1	1	—
	M6B, P6D, C6D, CRD	R,W	6919 EB7	1	—	1	1	1	1
	M6G, P6G, CRG, C6G	R,W	6919 EF8	1	—	—	1	1	1
	M6R, P6R, C6R	R,W	6919 ER7	—	—	—	1	1	1
	P6S	R	6919 EA6	1	—	—	1	—	1

NOTE: A letter code in the carline column indicates the carline for which the part is released as follows:

CARLINES Indicate:	B - Barracuda	V - Valiant L - Dart	R - Belvedere W - Coronet	P - Plymouth D - Dodge	C - Chrysler Y - Imperial
--------------------	---------------	-------------------------	------------------------------	---------------------------	------------------------------

AR Indicates use as required.

★ Indicates change or addition.

Right and left part numbers are on same line,
first number is right, second number is left.

Printed in U.S.A.

January 1971

1969 PASSENGER CAR PARTS CATALOG

INTERIOR TRIM

CODE	PART NAME	CAR LINE	PART NUMBER	Sed.	4 D.H.T.	Sta. Wgn.	2 D.H.T.	Sp. 2 D.H.T.	Conv.
23-76-18	ARM REST, Front Seat Back Center Cont'd.								
	M6T, P6T, C6T, CRT	R,W	6919 ET5	1	—	1	1	1	1
	M6C, M6W, M6F, M6H, P6C, P6F, P6H, P6W, P6V, C6W	R,W	6919 EW1	1	—	—	1	1	1
	M6X, P6X, C5X, C5X, C6X, CRX	R,W	6919 EX9	1	—	1	1	1	1
	M4D, P3D	W,P	6929 EB7	1	1	—	1	—	1
	M4G, P3G	W,P	6929 EF8	1	1	—	1	—	—
	M4R	P	6929 ER7	—	1	—	1	—	1
	M4S	P	6929 EA4	1	1	—	1	—	—
	M4T, P4T	P	6929 ET5	1	1	—	1	—	—
	M4W, P4W	P	6929 EW1	—	—	—	1	—	1
	M4X, P3X, P4X	W,P	6929 EX9	1	1	—	1	—	1
	P3Y	W,P	6929 EY4	1	—	—	—	—	—
	M6D, H6D	C	6945 EB9	—	1	—	1	—	1
	H6D, P6D	P,D	6945 EB7	—	—	—	1	1	1
	L6G, M6G, H6G, P6G	P,D,C	6945 EF8	—	—	—	1	1	1
	L5L, M5L	C	6945 EL2	—	1	—	1	—	—
	E6T, L6T, M6T, H6T, P6T	P,D,C	6945 ET5	—	1	—	1	—	1
	E6W, L6W, M6W, H6W, P6W	P,D,C	6945 EW1	—	1	—	1	—	1
	E6X, L6X, M6X, H6X, P6X	P,D,C	6945 EX9	—	1	—	1	1	1
	H6R, P6R	P,D	6945 ER7	—	—	—	1	—	1
	H6S, P6S	P,D	6945 EA4	—	—	—	1	1	—
	M6B	D	6945 EB3	—	—	—	1	—	1
	M6G	D	6945 EF3	—	—	—	1	—	1
	M8X	P	8739 EBX	2	2	2	—	—	—
	P8X	P	8714 EBX	—	2	—	—	—	—
	PPX	P	6931 EX9	—	—	—	1	—	—
	H4D	D	6926 E4B	—	1	1	—	—	—
	H4G	D	6926 E4G	—	1	1	—	—	—
	H4H	D	6926 ERH	—	—	1	—	—	—
	H4T	D	6926 E4T	—	1	1	—	—	—
	H4X	D	6926 E4X	—	1	1	—	—	—
	H4Y	D	6926 E4Y	—	1	—	—	—	—
	H6G	D	8677 EF8	—	1	—	1	—	—
	H6W	D	8677 EW2	—	1	—	1	—	—
	H6X	D	8677 EX7	—	1	—	1	—	—
	H6Y	D	8677 EY5	—	1	—	1	—	—
	H7B	D	8872 E7B	2	2	—	—	—	—
	H7G	D	8872 E7G	2	2	—	—	—	—
	H7X	D	8872 E7X	2	2	—	—	—	—
	H8T	D	8865 E8T	—	—	2	—	—	—
	H8X	D	8865 EBX	—	—	2	—	—	—
	H4D	Canada	D	6929 EB7	1	1	1	1	1
	H4G	Canada	D	6929 EF8	1	1	1	1	—
	H4R	Canada	D	6929 ER7	—	1	1	1	1
	H4S	Canada	D	6929 EA4	1	1	1	1	—
	H4T	Canada	D	6929 ET5	1	1	1	1	—
	H4W	Canada	D	6929 EW1	—	—	—	1	1
	H4X	Canada	D	6929 EX9	1	1	1	1	1
	L3D	C	6938 EB9	1	1	—	1	—	—
	L3G Up To Build Date 6-1-69	C	6938 EF8	1	1	—	1	—	—
	L3G After Build Date 6-1-69	C	6938 EFF	1	1	—	1	—	—
	L3Q	C	6938 EQ4	1	1	—	1	—	—
	L3X	C	6938 EX9	1	1	—	1	—	—
	L3Y	C	6938 EY4	1	1	—	1	—	—
	E4D, M4D, L4D	C	6933 EB9	—	1	1	1	—	—
	E4E, M4E, L4E	C	6933 EE8	—	1	1	1	—	—
	E4G, M3G	C	6933 EF8	—	1	1	1	—	—
	E4T	C	6933 ET5	—	—	1	—	—	—

NOTE: A letter code in the carline column indicates the carline for which the part is released as follows:

CARLINES Indicate: B - Barracuda V - Valiant R - Belvedere P - Plymouth C - Chrysler
L - Dart W - Coronet D - Dodge Y - Imperial

AR Indicates use as required.
★ Indicates change or addition.

Right and left part numbers are on same line,
first number is right, second number is left.

Printed in U.S.A.
January 1971

CODE	PART NAME	CAR LINE	PART NUMBER	Sed.	4 D.H.T.	Sta. Wgn.	2 D.H.T.	Sp. 2 D.H.T.	Conv.
23-76-18	ARM REST, Front Seat Back Center Cont'd.								
	E4X, M3X, M4X, L4X	C	6933 EX9	—	1	1	1	—	—
	M3Y	C	6933 EY4	—	1	—	1	—	—
	L7E	C	6942 EE8	1	1	—	—	—	—
	E8G	C	6942 EF8	—	—	1	—	—	—
	E7L, L7L, H8L	C	6942 EL2	1	1	1	—	—	—
	E8X, L8X, H8X	C	6942 EX9	1	1	1	—	—	—
	H1D	C	6949 E1D	1	1	—	—	—	—
	H1G	C	6949 E1G	1	1	—	—	—	—
	H1Q	C	6949 E1Q	1	1	—	—	—	—
	H1X	C	6949 E1X	1	1	—	—	—	—
	H1Y	C	6949 E1Y	1	1	—	—	—	—
	HST	C	7212 EST	1	1	—	—	—	—
	HSX	C	7212 ESX	1	1	—	—	—	—
	H3D	C	6940 E3D	—	—	—	1	—	—
	H3G	C	6940 E3G	—	—	—	1	—	—
	H3Q	C	6940 E3Q	—	—	—	1	—	—
	H3X	C	6940 E3X	—	—	—	1	—	—
	H3Y	C	6940 E3Y	—	—	—	1	—	—
	H7D	C	6967 E7D	2	2	—	—	—	—
	H7E	C	6967 E7E	2	2	—	—	—	—
	H7L	C	6967 E7L	2	2	—	—	—	—
	M1D	Y	8517 E1D	1	—	—	—	—	—
	M1G	Y	8517 E1G	1	—	—	—	—	—
	M1M	Y	8517 E1M	1	—	—	—	—	—
	M1Q	Y	8517 E1Q	1	—	—	—	—	—
	M1K	Y	8517 E1K	1	—	—	—	—	—
	M1X	Y	8517 E1X	1	—	—	—	—	—
	D1D	Y	4982 E1D	1	1	—	—	—	—
	D1G	Y	4982 E1G	1	1	—	—	—	—
	D1M	Y	4982 E1M	1	1	—	—	—	—
	D1Q	Y	4982 E1Q	1	1	—	—	—	—
	D1K	Y	4982 E1K	1	1	—	—	—	—
	D1X	Y	4982 E1X	1	1	—	—	—	—
	M3D	Y	7072 E3D	—	—	—	1	—	—
	M3G	Y	7072 E3G	—	—	—	1	—	—
	M3M	Y	7072 E3M	—	—	—	1	—	—
	M3Q	Y	7072 E3Q	—	—	—	1	—	—
	M3K	Y	7072 E3K	—	—	—	1	—	—
	M3X	Y	7072 E3X	—	—	—	1	—	—
	MSB	Y	7004-5 ESB	—	1	—	—	—	—
	MSD	Y	7004-5 ESD	—	1	—	—	—	—
	MSN	Y	7004-5 ESN	—	1	—	—	—	—
	MSG	Y	7004-5 ESG	—	1	—	—	—	—
	MST	Y	7004-5 EST	—	1	—	—	—	—
	MSR	Y	7004-5 ESR	—	1	—	—	—	—
	MSW	Y	7004-5 ESW	—	1	—	—	—	—
	MSX	Y	7004-5 ESX	—	1	—	—	—	—
	MSY	Y	7004-5 ESY	—	1	—	—	—	—
	MDD	Y	6964 EDD	—	2	—	—	—	—
	MDG	Y	6964 EDG	—	2	—	—	—	—
	MDM	Y	6964 EDM	—	2	—	—	—	—
	MDQ	Y	6964 EDQ	—	2	—	—	—	—
	MDK	Y	6964 EDK	—	2	—	—	—	—
	MDX	Y	6964 EDX	—	2	—	—	—	—
	MBD	Y	7722 EBD	—	—	—	1	—	—
	MBG	Y	7722 EBG	—	—	—	1	—	—
	MBM	Y	7722 EBM	—	—	—	1	—	—
	MBQ	Y	7722 EBQ	—	—	—	1	—	—
	MBK	Y	7722 EBK	—	—	—	1	—	—

NOTE: A letter code in the carline column indicates the carline for which the part is released as follows:

CARLINES Indicate:	B - Barracuda	V - Valiant L - Dart	R - Belvedere W - Coronet	P - Plymouth D - Dodge	C - Chrysler Y - Imperial
--------------------	---------------	-------------------------	------------------------------	---------------------------	------------------------------

AR Indicates use as required.

★ Indicates change or addition.

Right and left part numbers are on same line,
first number is right, second number is left.

Printed in U.S.A.

January 1971

CODE	PART NAME	CAR LINE	PART NUMBER	Sed.	4 D.H.T.	Sta. Wgn.	2 D.H.T.	Sp. 2 D.H.T.	Conv.
23-76-18	ARM REST, Front Seat Back Center Cont'd.								
	MBX	Y	7722 EBX	—	—	—	1	—	—
	MRB	Y	6991 EB3	—	—	—	1	—	—
	MRG	Y	6991 EF8	—	—	—	1	—	—
	MRT	Y	6991 ET8	—	—	—	1	—	—
	MRW	Y	6991 EW1	—	—	—	1	—	—
	MRX	Y	6991 EX9	—	—	—	1	—	—
	Screw, Frt. Ctr. Arm Rest Spacer	P,D,C,Y	6026 584	4	4	4	—	—	—
	Screw, Frt. Ctr. Arm Rest Trm. Pnl. Att.	P,D,C,Y	9416 049	4	4	4	—	—	—
	Roll Pin, Frt. Ctr. Arm Rest Link to Support	P,D,C,Y	9412 281	2	2	2	—	—	—
	Screw, Frt. Ctr. Arm Rest Block Att.	P,D,C,Y	9424 828	8	8	8	—	—	—
	Nut and Washer, Ctr. Arm Rest Trm. Panel Att.	P,D,C,Y	6025 004	8	8	8	—	—	—
	Screw, Frt. Ctr. Arm Rest Tacking Strip Att.	P,D,C,Y	6024 654	8	8	8	—	—	—
	J-Nut, Frt. Seat Ctr. Arm Rest.	C,Y	6023 168	4	4	—	—	—	—
23-76-19	FLAP, Front Seat Back Center Arm Rest CODES								
	H7B	D	8873 E7B	1	1	—	—	—	—
	H7G	D	8873 E7G	1	1	—	—	—	—
	H7X	D	8873 E7X	1	1	—	—	—	—
	M8X	P	8740 E8X	2	2	2	—	—	—
	P8X	P	8716 E8X	—	2	—	—	—	—
	H8T	D	8666 E8T	—	—	1	—	—	—
	H8X	D	8666 E8X	—	—	1	—	—	—
	H7D	C	6966 EB9	1	1	—	—	—	—
	L7E, H7E	C	6966 EE8	1	1	—	—	—	—
	HST	C	6966 ET5	1	1	—	—	—	—
	E8G	C	6966 EF8	—	—	1	—	—	—
	E7L, L7L, H7L, H8L	C	6966 EL2	1	1	1	—	—	—
	E8X, L8X, H8X	C	6966 EX9	1	1	1	—	—	—
	H1D	C	6951 EB9	1	1	—	—	—	—
	H1G	C	6951 EF8	1	1	—	—	—	—
	H1Q	C	6951 EQ4	1	1	—	—	—	—
	H1X	C	6951 EX9	1	1	—	—	—	—
	H1Y	C	6951 EY4	1	1	—	—	—	—
	MDD, MSD	Y	7284 EB9	—	2	—	—	—	—
	MDG, MSG	Y	7284 EF8	—	2	—	—	—	—
	MDM	Y	7284 EM9	—	2	—	—	—	—
	MDQ	Y	7284 EQ4	—	2	—	—	—	—
	MDK	Y	7284 ET9	—	2	—	—	—	—
	MDX, MSX	Y	7284 EX9	—	2	—	—	—	—
	MSB	Y	7284 EB3	—	2	—	—	—	—
	MSN	Y	7284 EY9	—	2	—	—	—	—
	MST	Y	7284 ET8	—	2	—	—	—	—
	MSR	Y	7284 ER7	—	2	—	—	—	—
	MSW	Y	7284 EW1	—	2	—	—	—	—
	MSY	Y	7284 EY4	—	2	—	—	—	—
	M1D	Y	8518 EB9	1	1	—	—	—	—
	M1G	Y	8518 EF3	1	1	—	—	—	—
	M1M	Y	8518 EM9	1	1	—	—	—	—
	M1Q	Y	8518 EQ4	1	1	—	—	—	—
	M1K	Y	8518 ET9	1	1	—	—	—	—
	M1X	Y	8518 EX9	1	1	—	—	—	—
23-76-25	WASHER, Center Arm Rest Spacer	P,D,C,Y	2609 158	4	4	4	—	2	—
23-76-28	LOCK BAR, Front Center Arm Rest.	W,P,D,C,Y	2270 102	1	1	1	1	1	1
	Bucket Seats	R,W,F, D,C,Y	2608 812	1	1	1	1	1	1
	Arm Rest Frame	V,B	2767 653	1	—	—	1	1	—

NOTE: A letter code in the carline column indicates the carline for which the part is released as follows:

CARLINES Indicate:	B - Barracuda	V - Valiant L - Dart	R - Belvedere W - Coronet	P - Plymouth D - Dodge	C - Chrysler Y - Imperial
--------------------	---------------	-------------------------	------------------------------	---------------------------	------------------------------

AR Indicates use as required.

★ Indicates change or addition.

Right and left part numbers are on same line,
first number is right, second number is left.

Printed in U.S.A.

January 1971

CODE	PART NAME	CAR LINE	PART NUMBER	Sed.	4 D.H.T.	Sra. Wgn.	2 D.H.T.	Sp. 2 D.H.T.	Conv.
23-76-30	HANDLE, Center Arm Rest Pull Down								
	Frnt.	Y	2608 714	1	1	—	—	—	—
	Rr.	Y	2608 714	1	1	—	—	—	—
23-76-34	COVER, Front Seat Back Center Arm Rest								
	CODES								
	D4B, H4B	V	8669 E4B	1	—	—	—	—	—
	D4R, H4R	V	8669 E4R	1	—	—	—	—	—
	D4X, H4X	V	8669 E4X	1	—	—	—	—	—
	H4Y	V	8669 E4Y	1	—	—	—	—	—
	H4B	B	8667 E4B	—	—	—	1	1	—
	H4C, H4F, H4V, H4W	B	8667 E4W	—	—	—	1	1	—
	H4X	B	8667 E4X	—	—	—	1	1	—
	M6B, P6D, C6D, CRD	R,W	6918 EB7	1	—	1	1	1	1
	M6G, P6G, CRG, C6G	R,W	6918 EF8	1	—	—	1	1	1
	M6R, P6R, C6R	R,W	6918 ER7	1	—	—	1	1	1
	P6S	R	6918 EA6	1	—	—	1	—	1
	M6T, P6T, C6T, CRT	R,W	6918 ET5	1	—	1	1	1	1
	M6C, M6W, M6F, M6H, P6C, P6F, P6H, P6V, C6W	R,W	6918 EW1	1	—	—	1	1	1
	M6X, P6X, C5X, C6X, CRX	R,W	6918 EX9	1	—	1	1	1	1
	P3D, M4D	W,P	6928 EB7	1	1	1	1	1	1
	P3G, M4G	W,P	6928 EF8	1	1	1	1	1	—
	M4R	P	6928 ER7	—	1	1	1	—	1
	M4S	P	6928 EA4	1	1	1	1	—	—
	M4T, P4T	P	6928 ET5	1	1	1	1	1	1
	M4W, P4W	P	6928 EW1	—	1	—	1	1	1
	P3X, M4X	W,P	6928 EX9	1	1	1	1	1	1
	P3Y	W,P	6928 EY4	1	—	—	—	—	—
	M8X	P	8738 E8X	2	2	2	—	—	—
	P8X	P	8715 E8X	—	2	—	—	—	—
	PPX	P	6930 EX9	—	—	—	1	—	—
	E6T, L6T, M6T, H6T	P,D,C	6946 ET5	—	1	—	1	—	—
	E6W, L6W, M6W, H6W	P,D,C	6946 EW1	—	1	—	1	—	1
	E6X, L6X, M6X, H6X, P6X	P,D,C	6946 EX9	—	1	—	1	1	1
	H6G, L6G, M6G	P,C	6946 EF8	—	1	—	1	1	1
	M5L	C	6946 EL2	—	1	—	1	—	—
	H6S	P	6946 EA4	—	—	—	1	1	—
	H6R	P	6946 ER7	—	—	—	1	—	1
	M6G	D	6946 EF3	—	—	—	1	—	1
	M6D, H6D	C	6946 EB9	—	1	—	1	—	1
	H6D	P	6946 EB7	—	—	—	1	—	1
	M6B	D	6946 EB3	—	—	—	1	—	1
	H4D	P	6927 E4B	—	1	1	1	—	—
	H4G	P	6927 E4G	—	1	1	1	—	—
	H4H	P	6927 E4H	—	—	1	—	—	—
	H4T	P	6927 E4T	—	1	1	1	—	—
	H4X	P	6927 E4X	—	1	1	1	—	—
	H4Y	P	6927 E4Y	—	1	1	1	—	—
	H6G	D	8676 EF7	—	1	—	1	—	—
	H6W	D	8676 EW2	—	1	—	1	—	—
	H6X	D	8676 EX7	—	1	—	1	—	—
	H6Y	D	8676 EY5	—	1	—	1	—	—
	H7B	D	8871 E7B	1	1	—	—	—	—
	H7G	D	8871 E7G	1	1	—	—	—	—
	H7X	D	8871 E7X	1	1	—	—	—	—
	H8T	D	8664 E8T	—	—	1	—	—	—
	H8X	D	8664 E8X	—	—	1	—	—	—
	H4D Canada	D	6928 EB7	1	1	1	1	1	1
	H4G Canada	D	6928 EF8	1	1	1	1	1	—

NOTE: A letter code in the carline column indicates the carline for which the part is released as follows:

CARLINES Indicate:	B - Barracuda	V - Valiant L - Dart	R - Belvedere W - Coronet	P - Plymouth D - Dodge	C - Chrysler Y - Imperial
--------------------	---------------	-------------------------	------------------------------	---------------------------	------------------------------

AR Indicates use as required.
★ Indicates change or addition.

Right and left part numbers are on same line,
first number is right, second number is left.

Printed in U.S.A.
January 1971

1969 PASSENGER CAR PARTS CATALOG

INTERIOR TRIM

CODE	PART NAME	CAR LINE	PART NUMBER	Sed.	4 D.H.T.	Sta. Wgn.	2 D.H.T.	Sp. 2 D.H.T.	Conv.
23-76-34	COVER, Front Seat Back Center Arm Rest Cont'd.								
H4R	Canada	D	6928 ER7	—	1	1	1	—	1
H4S	Canada	D	6928 EA4	1	1	1	1	—	—
H4T	Canada	D	6928 ET5	1	1	1	1	—	—
H4W	Canada	D	6928 EW1	—	—	—	1	—	1
H4X	Canada	D	6928 EX9	1	1	1	1	—	1
P6D		D	6946 EB7	—	—	—	1	—	1
P6G		D	6946 EF8	—	—	—	1	—	—
P6R		D	6946 ER7	—	—	—	1	—	1
P6S		D	6946 EA4	—	—	—	1	—	—
P6T		D	6946 ET5	—	—	—	1	—	—
P6W		D	6946 EW1	—	—	—	1	—	1
P6X		D	6946 EX9	—	—	—	1	—	1
S7B		D	8871 E7B	2	2	—	—	—	—
S7G		D	8871 E7G	2	2	—	—	—	—
S7X		D	8871 E7X	2	2	—	—	—	—
L7E		C	6932 EE8	1	1	—	—	—	—
E8G		C	6932 EF8	—	—	1	—	—	—
E7L, L7L, H8L		C	6932 EL2	1	1	1	—	—	—
E8X, L8X, H8X		C	6932 EX9	1	1	1	—	—	—
E4D, M4D, L4D		C	6934 EB9	—	1	1	1	—	—
E4E, M4E, L4E		C	6934 EE8	—	1	1	1	—	—
E4G, M3G		C	6934 EF8	—	1	1	1	—	—
E4T		C	6934 ET5	—	—	1	—	—	—
E4X, M4X, M3X, L4X		C	6934 EX9	—	1	1	1	—	—
M3Y		C	6934 EY4	—	1	—	1	—	—
L3D		C	6939 EB9	1	1	—	1	—	—
L3G Up To Build Date 6-1-69		C	6939 EF8	1	1	—	1	—	—
L3G After Build Date 6-1-69		C	6939 E3F	1	1	—	1	—	—
L3Q		C	6939 EQ4	1	1	—	1	—	—
L3X		C	6939 EX9	1	1	—	1	—	—
L3Y		C	6939 EY4	1	1	—	1	—	—
H1D		C	6950 E1D	1	1	—	—	—	—
H1G		C	6950 E1G	1	1	—	—	—	—
H1Q		C	6950 E1Q	1	1	—	—	—	—
H1X		C	6950 E1X	1	1	—	—	—	—
H1Y		C	6950 E1Y	1	1	—	—	—	—
HST		C	7213 EST	2	2	—	—	—	—
HSX		C	7213 ESX	1	1	—	—	—	—
H3D		C	6941 E3D	—	—	—	1	—	—
H3G		C	6941 E3G	—	—	—	1	—	—
H3Q		C	6941 E2Q	—	—	—	1	—	—
H3X		C	6941 E3X	—	—	—	1	—	—
H3Y		C	6941 E3Y	—	—	—	1	—	—
H7D		C	6968 E7D	2	2	—	—	—	—
H7E		C	6968 E7E	2	2	—	—	—	—
H7L		C	6968 E7L	2	2	—	—	—	—
M1D		Y	8516 E1D	1	—	—	—	—	—
M1G		Y	8516 E1G	1	—	—	—	—	—
M1M		Y	8516 E1M	1	—	—	—	—	—
M1Q		Y	8516 E1Q	1	—	—	—	—	—
M1K		Y	8516 E1K	1	—	—	—	—	—
M1X		Y	8516 E1X	1	—	—	—	—	—
D1D		Y	4967 E1D	1	1	—	—	—	—
D1G		Y	4967 E1G	1	1	—	—	—	—
D1M		Y	4967 E1M	1	1	—	—	—	—
D1Q		Y	4967 E1Q	1	1	—	—	—	—
D1K		Y	4967 E1K	1	1	—	—	—	—
D1X		Y	4967 E1X	1	1	—	—	—	—

NOTE: A letter code in the carline column indicates the carline for which the part is released as follows:

CARLINES Indicate:	B - Barracuda	V - Valiant L - Dart	R - Belvedere W - Coronet	P - Plymouth D - Dodge	C - Chrysler Y - Imperial
--------------------	---------------	-------------------------	------------------------------	---------------------------	------------------------------

AR Indicates use as required.
★ Indicates change or addition.

Right and left part numbers are on same line,
first number is right, second number is left.

Printed in U.S.A.
January 1971

CODE	PART NAME	CAR LINE	PART NUMBER	Sed.	4 D.H.T.	Sta. Wgn.	2 D.H.T.	Sp. 2 D.H.T.	Conv.
23-76-34	COVER, Front Seat Back Center Arm Rest Cont'd.								
	M3D	Y	4971 E3D	—	—	—	1	—	—
	M3G	Y	4971 E3G	—	—	—	1	—	—
	M3M	Y	4971 E3M	—	—	—	1	—	—
	M3Q	Y	4971 E3O	—	—	—	1	—	—
	M3K	Y	4971 E3K	—	—	—	1	—	—
	M3X	Y	4971 E3X	—	—	—	1	—	—
	MSB	Y	7000-1 ESB	—	1	—	—	—	—
	MSD	Y	7000-1 ESD	—	1	—	—	—	—
	MSN	Y	7000-1 ESN	—	1	—	—	—	—
	MSG	Y	7000-1 ESG	—	1	—	—	—	—
	MST	Y	7000-1 EST	—	1	—	—	—	—
	MSR	Y	7000-1 ESR	—	1	—	—	—	—
	MSW	Y	7000-1 ESW	—	1	—	—	—	—
	MSX	Y	7000-1 ESX	—	1	—	—	—	—
	MSY	Y	7000-1 ESY	—	1	—	—	—	—
	MDD	Y	6974 EDD	—	2	—	—	—	—
	MDG	Y	6974 EDG	—	2	—	—	—	—
	MDM	Y	6974 EDM	—	2	—	—	—	—
	MDQ	Y	6974 EDQ	—	2	—	—	—	—
	MDK	Y	6974 EDK	—	2	—	—	—	—
	MDX	Y	6974 EDX	—	2	—	—	—	—
	MBD	Y	7721 EBD	—	—	—	1	—	—
	MBG	Y	7721 EBG	—	—	—	1	—	—
	MBM	Y	7721 EBM	—	—	—	1	—	—
	MBQ	Y	7721 EBQ	—	—	—	1	—	—
	MBK	Y	7721 EBK	—	—	—	1	—	—
	MBK	Y	7721 EBX	—	—	—	1	—	—
	MRB	Y	6990 EB3	—	—	—	1	—	—
	MRG	Y	6990 EF8	—	—	—	1	—	—
	MRT	Y	6990 ET8	—	—	—	1	—	—
	MRW	Y	6990 EW1	—	—	—	1	—	—
	MRX	Y	6990 EX9	—	—	—	1	—	—
23-76-35	COVER, Front Seat Center Arm Rest Finish								
	Paint as req'd.	V,B	2762 EX9	1	—	—	1	1	—
	w/Ctr. Cushion	R,W, P,D,C,Y	2761 EX9	1	1	1	1	1	1
	w/o Ctr. Cushion	W,P,D,C,Y	2760 EX9	1	1	1	1	—	1
	Panel.	Y	2609 018-9	—	1	—	—	—	—
	Screw, to Block	V,B,R,W,P,D,C,Y	9416 105	2	2	2	2	2	2
23-76-40	ARM REST, Rear Seat Back Center								
	CODES								
	H1D, H7D	C	7236 E1D	1	1	—	—	—	—
	H7E	C	7236 E1E	1	1	—	—	—	—
	H1G	C	7236 E1G	1	1	—	—	—	—
	H1L	C	7236 E1L	1	1	—	—	—	—
	H1Q	C	7236 E1Q	1	1	—	—	—	—
	H1X	C	7236 E1X	1	1	—	—	—	—
	H1Y	C	7236 E1Y	1	1	—	—	—	—
	HST	C	7273 EST	1	1	—	—	—	—
	HSX	C	7273 ESX	1	1	—	—	—	—
	H8L	C	7340 E8L	—	1	—	—	—	—
	H8X	C	7340 E8X	—	1	—	—	—	—
	MDD	Y	6972 EDD	—	1	—	—	—	—
	MDG	Y	6972 EDG	—	1	—	—	—	—
	MDM	Y	6972 EDM	—	1	—	—	—	—
	MDQ	Y	6972 EDQ	—	1	—	—	—	—
	MDK	Y	6972 EDK	—	1	—	—	—	—
	MDX	Y	6972 EDX	—	1	—	—	—	—

NOTE: A letter code in the carline column indicates the carline for which the part is released as follows:

CARLINES Indicate:	V - Valiant	R - Belvedere	P - Plymouth	C - Chrysler
B - Barracuda	L - Dart	W - Coronet	D - Dodge	Y - Imperial

AR Indicates use as required.
★ Indicates change or addition.

Right and left part numbers are on same line,
first number is right, second number is left.

Printed in U.S.A.
January 1971

1969 PASSENGER CAR PARTS CATALOG

INTERIOR TRIM

CODE	PART NAME	CAR LINE	PART NUMBER	Sed.	4 D.H.T.	Sta. Wgn.	2 D.H.T.	Sp. 2 D.H.T.	Conv.
23-76-40	ARM REST, Rear Seat Back Center Cont'd.								
	M1D	Y	8510 E1D	1	—	—	—	—	—
	M1G	Y	8510 E1G	1	—	—	—	—	—
	M1M	Y	8510 E1M	1	—	—	—	—	—
	M1Q	Y	8510 E1Q	1	—	—	—	—	—
	M1K	Y	8510 E1K	1	—	—	—	—	—
	M1X	Y	8510 E1X	1	—	—	—	—	—
	D1D	Y	4979 E1D	1	1	—	—	—	—
	D1G	Y	4979 E1G	1	1	—	—	—	—
	D1M	Y	4979 E1M	1	1	—	—	—	—
	D1Q	Y	4979 E1Q	1	1	—	—	—	—
	D1K	Y	4979 E1K	1	1	—	—	—	—
	D1X	Y	4979 E1X	1	1	—	—	—	—
	MSB	Y	6984 ESB	—	1	—	—	—	—
	MSD	Y	6984 ESD	—	1	—	—	—	—
	MSN	Y	6984 ESN	—	1	—	—	—	—
	MSG	Y	6984 ESG	—	1	—	—	—	—
	MST	Y	6984 EST	—	1	—	—	—	—
	MSR	Y	6984 ESR	—	1	—	—	—	—
	MSW	Y	6984 ESX	—	1	—	—	—	—
	MSX	Y	6984 ESX	—	1	—	—	—	—
	MSY	Y	6984 ESY	—	1	—	—	—	—
	MBD	Y	7710 EBD	—	—	—	1	—	—
	MBG	Y	7710 EBG	—	—	—	1	—	—
	MBM	Y	7710 EBM	—	—	—	1	—	—
	MBQ	Y	7710 EBQ	—	—	—	1	—	—
	MBK	Y	7710 EBK	—	—	—	1	—	—
	MBX	Y	7710 EBX	—	—	—	1	—	—
	MRB	Y	6987 ERB	—	—	—	1	—	—
	MRG	Y	6987 ERG	—	—	—	1	—	—
	MRT	Y	6987 ERT	—	—	—	1	—	—
	MRW	Y	6987 ERW	—	—	—	1	—	—
	MRX	Y	6987 ERX	—	—	—	1	—	—
23-76-45	COVER, Rear Seat Back Center Arm Rest								
	CODES								
	H1D, H7D	C	7237 E1D	1	1	—	—	—	—
	H7E	C	7237 E1E	1	1	—	—	—	—
	H1G	C	7237 E1G	1	1	—	—	—	—
	H1L, H7L	C	7237 E1L	1	1	—	—	—	—
	H1Q	C	7237 E1Q	1	1	—	—	—	—
	H1X	C	7237 E1X	1	1	—	—	—	—
	H1Y	C	7237 E1Y	1	1	—	—	—	—
	HST	C	7274 EST	1	1	—	—	—	—
	HSX	C	7274 ESX	1	1	—	—	—	—
	H8L	C	7341 E8L	—	1	—	—	—	—
	H8X	C	7341 E8X	—	1	—	—	—	—
	M1D	Y	8509 E1D	1	—	—	—	—	—
	M1G	Y	8509 E1G	1	—	—	—	—	—
	M1M	Y	8509 E1M	1	—	—	—	—	—
	M1Q	Y	8509 E1Q	1	—	—	—	—	—
	M1K	Y	8509 E1K	1	—	—	—	—	—
	M1X	Y	8509 E1X	1	—	—	—	—	—
	D1D	Y	8510 E1D	1	1	—	—	—	—
	D1G	Y	8510 E1G	1	1	—	—	—	—
	D1M	Y	8510 E1M	1	1	—	—	—	—
	D1Q	Y	8510 E1Q	1	1	—	—	—	—
	D1K	Y	8510 E1K	1	1	—	—	—	—
	D1X	Y	8510 E1X	1	1	—	—	—	—
	MSB	Y	6982 ESB	—	1	—	—	—	—
	MSD	Y	6982 ESD	—	1	—	—	—	—

NOTE: A letter code in the carline column indicates the carline for which the part is released as follows:

CARLINES Indicate:	B - Barracuda	V - Valiant L - Dart	R - Belvedere W - Coronet	P - Plymouth D - Dodge	C - Chrysler Y - Imperial
--------------------	---------------	-------------------------	------------------------------	---------------------------	------------------------------

AR Indicates use as required.
★ Indicates change or addition.

Right and left part numbers are on same line,
first number is right, second number is left.

Printed in U.S.A.
January 1971

CODE	PART NAME	CAR LINE	PART NUMBER	Sed.	4 D.H.T.	Sta. Wgn.	2 D.H.T.	Sp. 2 D.H.T.	Conv.
23-76-45	COVER, Rear Seat Back Center Arm Rest Cont'd.								
	MSN.....	Y	6982 ESN	—	1	—	—	—	—
	MSG.....	Y	6982 ESG	—	1	—	—	—	—
	MST.....	Y	6982 EST	—	1	—	—	—	—
	MSR.....	Y	6982 ESR	—	1	—	—	—	—
	MSW.....	Y	6982 ESW	—	1	—	—	—	—
	MSX.....	Y	6982 ESX	—	1	—	—	—	—
	MSY.....	Y	6982 ESY	—	1	—	—	—	—
	MDD.....	Y	6971 EDD	—	1	—	—	—	—
	MDG.....	Y	6971 EDG	—	1	—	—	—	—
	MDM.....	Y	6971 EDM	—	1	—	—	—	—
	MDQ.....	Y	6971 EDQ	—	1	—	—	—	—
	MDK.....	Y	6971 EDK	—	1	—	—	—	—
	MDX.....	Y	6971 EDX	—	1	—	—	—	—
	MBD.....	Y	7709 EBD	—	—	—	1	—	—
	MBG.....	Y	7709 EBG	—	—	—	1	—	—
	MBM.....	Y	7709 EBM	—	—	—	1	—	—
	MBQ.....	Y	7709 EBQ	—	—	—	1	—	—
	MBK.....	Y	7709 EBK	—	—	—	1	—	—
	MBX.....	Y	7709 EBX	—	—	—	1	—	—
	MRB.....	Y	6986 ERB	—	—	—	1	—	—
	MRG.....	Y	6986 ERG	—	—	—	1	—	—
	MRT.....	Y	6986 ERT	—	—	—	1	—	—
	MRW.....	Y	6986 ERW	—	—	—	1	—	—
	MRX.....	Y	6986 ERX	—	—	—	1	—	—
23-76-51	COVER, Rear Seat Back Center Arm Rest Lower Opening								
	CODES								
	H1D, H7D.....	C	6963 EB9	1	1	—	—	—	—
	H7F.....	C	6963 EE8	1	1	—	—	—	—
	H1G.....	C	6963 EF8	1	1	—	—	—	—
	H7L.....	C	6963 EL2	1	1	—	—	—	—
	H1Q.....	C	6963 EQ4	1	1	—	—	—	—
	H5T.....	C	6963 ET5	1	1	—	—	—	—
	H1X, H8X.....	C	6963 EX9	1	1	—	—	—	—
	H1Y.....	C	6963 EY4	1	1	—	—	—	—
23-76-53	FLAP, Rear Seat Back Center Arm Rest								
	CODES								
	H1D, H7D.....	C	7238 EB9	1	1	—	—	—	—
	H7E.....	C	7238 EE8	1	1	—	—	—	—
	H1G.....	C	7238 EF8	1	1	—	—	—	—
	H1L.....	C	7238 EL2	1	1	—	—	—	—
	H1Q.....	C	7238 EQ4	1	1	—	—	—	—
	H1X, HSX.....	C	7238 EX9	1	1	—	—	—	—
	H1Y.....	C	7238 EY4	1	1	—	—	—	—
	HST.....	C	7238 HST	1	1	—	—	—	—
	D1D, MDD, M1D.....	Y	7315 EB9	1	1	—	—	—	—
	MDG.....	Y	7315 EF8	1	—	—	—	—	—
	D1M, MDM, M1M.....	Y	7315 EM9	1	1	—	—	—	—
	D1Q, MDQ, M1Q.....	Y	7315 EQ4	1	1	—	—	—	—
	D1K, MDK, M1K.....	Y	7315 ET9	1	1	—	—	—	—
	D1X, MDX, M1X.....	Y	7315 EX9	1	1	—	—	—	—
	D1G, M1G.....	Y	7315 EF3	1	—	—	—	—	—
	MSB.....	Y	7315 EB3	—	1	—	—	—	—
	MSD.....	Y	7315 EB9	—	1	—	—	—	—
	MSN.....	Y	7315 EY9	—	1	—	—	—	—
	MSG.....	Y	7315 EF8	—	1	—	—	—	—
	MST.....	Y	7315 ET8	—	1	—	—	—	—
	MSR.....	Y	7315 ER7	—	1	—	—	—	—

NOTE: A letter code in the carline column indicates the carline for which the part is released as follows:

CARLINES Indicate:	B - Barracuda	V - Valiant L - Dart	R - Belvedere W - Coronet	P - Plymouth D - Dodge	C - Chrysler Y - Imperial
--------------------	---------------	-------------------------	------------------------------	---------------------------	------------------------------

AR Indicates use as required.

★ Indicates change or addition.

Right and left part numbers are on same line,
first number is right, second number is left.

Printed in U.S.A.
January 1971

CODE	PART NAME	CAR LINE	PART NUMBER	Sed.	4 D.H.T.	Sta. Wgn.	2 D.H.T.	Sp. 2 D.H.T.	Conv.
23-76-53	FLAP, Rear Seat Back Center Arm Rest Cont'd.								
	MSW.....	Y	7315 EW1	—	1	—	—	—	—
	MSX.....	Y	7315 EX9	—	1	—	—	—	—
	MSY.....	Y	7315 EY4	—	1	—	—	—	—
	MRB.....	Y	6998 EB3	—	1	—	—	—	—
	MBG, MRB.....	Y	6998 EF8	—	1	—	—	—	—
	MRW.....	Y	6998 EW1	—	1	—	—	—	—
	MBX, MRX.....	Y	6998 EX9	—	1	—	—	—	—
	MBD.....	Y	6998 EB9	—	1	—	—	—	—
	MBM.....	Y	6998 EM9	—	1	—	—	—	—
	MBQ.....	Y	6998 EQ4	—	1	—	—	—	—
	MBK.....	Y	6998 ET9	—	1	—	—	—	—
	MRT.....	Y	6998 ET8	—	1	—	—	—	—
	MRB.....	Y	6998 EB3	—	—	—	1	—	—
	MRG.....	Y	6998 EF8	—	—	—	1	—	—
	MRT.....	Y	6998 ET8	—	—	—	1	—	—
	MRW.....	Y	6998 EW1	—	—	—	1	—	—
	MRX.....	Y	6998 EX9	—	—	—	1	—	—
23-76-63	PAD, Rear Door Arm Rest								
	w/o Ash Rec.								
	CODES								
	L1B, L2B, D1B, D2B, D4B.....	V	1214 EB3	2	—	—	—	—	—
	L1R, D2R, D4R.....	V	1214 ER6	2	—	—	—	—	—
	L1X, L2X, D1X, D2X, D4X, X1X.....	V	1214 DX9	2	—	—	—	—	—
	L2T.....	V	1214 ET4	2	—	—	—	—	—
	w/Ash Rec.								
	H1B, H2B, H4B, H6B.....	V,L	1216-7 EB3	1	—	—	—	—	—
	H1G, H2G, X1G.....	V,L	1216-7 EF3	1	—	—	—	—	—
	X2R, H2R, H4R.....	V,L	1216-7 ER6	1	—	—	—	—	—
	H6C, H6E, H6F, H6V, H6W.....	V	1216-7 EW1	1	—	—	—	—	—
	H1X, H2X, H4X, H6X.....	V,L	1216-7 DX9	1	—	—	—	—	—
	H2Y, H4Y.....	V	1216-7 EY4	1	—	—	—	—	—
	H2T.....	L	1216-7 ET4	1	—	—	—	—	—
	H1L.....	L	1216-7 EL3	1	—	—	—	—	—
	w/Ash Rec.								
	L1B, L2B, X2B 6 Pass.....	R	1276-7 EB3	1	—	1	—	—	—
	L1B, L2B, X2B 6 Pass.....	W	1276-7 EB7	1	—	1	—	—	—
	F2Q, H1B, H2B, P2B, P3B, P6D, P2D, P3D.....	R,W	1276-7 EB7	1	—	1	—	—	—
	H1G, H2G, P2G, P3G, P6G, X1G.....	R,W	1276-7 EF8	1	—	1	—	—	—
	L1L.....	W	1276-7 EL3	1	—	—	—	—	—
	X1T, X2T, D2T, L1T, L2T, H1T, H2T, P2T, P3T, P6T.....	R,W	1276-7 ET4	1	—	1	—	—	—
	K1T, K2T, T2T.....	R,W	1276-7 ET8	1	—	—	—	—	—
	P2C, P2F, P2H, P6C, P6F, P6H.....	R	1276-7 EW1	1	—	1	—	—	—
	H1Y, P3Y.....	W	1276-7 EY4	1	—	—	—	—	—
	w/Ash Rec.								
	L2X, D2X, X2X, T2X, H1X, H2X, P2X, P3X, P6X.....	R,W	1276-7 DX9	1	—	1	—	—	—
	H2S, P2S, P6S.....	R	1276-7 EA4	1	—	1	—	—	—
	P3Y.....	W	1276-7 EY4	1	—	—	—	—	—
	M4S, H4S.....	P,D	1276-7 EA4	1	1	1	—	—	—
	E1B, E2B, L1B, L2B, M1B, M2B, H1B, H7B, X2B, S7B.....	P,D	1276-7 EB3	1	1	1	—	—	—
	M1D, M4D, P3D, H4D, H1D.....	P,D	1276-7 EB7	1	1	1	—	—	—
	L1G, L2G, H1G, H7G.....	P,D	1276-7 EF3	1	1	1	—	—	—
	M1G, M4G, P3G, H4G, H6G, S7G.....	P,D	1276-7 EF8	1	1	1	—	—	—
	L1L, L2L, M1L, H1L.....	P,D	1276-7 EL3	1	—	—	—	—	—
	K1T, K2T, L2T, M4T, H4T, H8T, P4T, X2J.....	P,D	1276-7 ET4	1	1	1	—	—	—
	L2W, P4W, H4H, H6W, M2W.....	P,D	1276-7 EW1	—	1	1	—	—	—

NOTE: A letter code in the carline column indicates the carline for which the part is released as follows:

CARLINES Indicate:	B - Barracuda	V - Valiant L - Dart	R - Belvedere W - Coronet	P - Plymouth D - Dodge	C - Chrysler Y - Imperial
--------------------	---------------	-------------------------	------------------------------	---------------------------	------------------------------

AR Indicates use as required.

★ Indicates change or addition.

Right and left part numbers are on same line,
first number is right, second number is left.

Printed in U.S.A.

January 1971

CODE	PART NAME	CAR LINE	PART NUMBER	Sed.	4 D.H.T.	Sta. Wgn.	2 D.H.T.	Sp. 2 D.H.T.	Conv.
23-76-63	PAD, Rear Door Arm Rest Cont'd.								
	L1X, L2X, X4X, M1X, M2X, M4X, M8X, X6X, H1X, H4X, H6X, H7X, H8X, P3X, S7X P8X, PPX, K1A, K2A	P,D	1276-7 DX9	1	1	1	—	—	—
	L1Y, H1Y, H4Y, H6Y	D	1276-7 EY4	1	1	—	—	—	—
	E2R, L2R, M1R, M4R, M2R, H1R, H4R, X2R	P,D	1276-7 ER6	1	1	1	—	—	—
	M1G, S7G Canada	D	1276-7 EF3	1	1	—	—	—	—
	H1G, H4G Canada w/Ash Rec.	D	1276-7 EF8	1	1	1	—	—	—
	E1D, E2D, L3D, L4D, M1D, M4D, M6D, H1D, H7D	C,Y	1274-5 EB9	1	1	—	—	—	—
	L4E, L7E, M4E, H7E	C	1274-5 EE9	1	1	—	—	—	—
	E1G, M1G	C,Y	1274-5 EF3	1	1	—	—	—	—
	L3G, M3G, M6G, H1G	C	1274-5 EF8	1	1	—	—	—	—
	E1L, L7L, M5L, H7L, H8L	C	1274-5 EL3	1	1	—	—	—	—
	E1Q, L3Q, M1Q, H1Q	C,Y	1274-5 DQ4	1	1	—	—	—	—
	E2T, M6T, HST	C	1274-5 ET4	1	1	—	—	—	—
	M6W	C	1274-5 EW1	—	1	—	—	—	—
	E2Y, L3Y, M3Y, H1Y	C	1274-5 EY4	1	1	—	—	—	—
	M1M	Y	1274-5 EM9	1	—	—	—	—	—
	M1K	Y	1274-5 ET1	1	—	—	—	—	—
	E1X, E2X, L3X, L4X, L7X, L8X, M1X, M3X, M4X, M6X, H1X, H5X, H8X	C,Y	1274-5 DX9	1	1	—	—	—	—
	E4D	C	1276-7 EB9	—	—	1	—	—	—
	E4E	C	1276-7 EE9	—	—	1	—	—	—
	E4G, E8G	C	1276-7 EF8	—	—	1	—	—	—
	E7L	C	1276-7 EL3	—	—	1	—	—	—
	E4T	C	1276-7 ET4	—	—	1	—	—	—
	E4X, E8X	C	1276-7 DX9	—	—	1	—	—	—
	STORAGE COMPT. LID PAD								
	MSB, MRB	Y	1230 EB3	—	2	—	—	—	—
	M1D, MDD, MSD, MBD	Y	1230 EB9	2	2	—	—	—	—
	M1G	Y	1230 EF3	2	—	—	—	—	—
	MDG, MSG, MBG, MRG	Y	1230 EF8	—	2	—	—	—	—
	M1K, MDK, MBK	Y	1230 ET1	2	2	—	—	—	—
	M1M, MDM, MBM	Y	1230 EM9	2	2	—	—	—	—
	MSN	Y	1230 EY9	—	2	—	—	—	—
	M1Q, MDQ, MBQ	Y	1230 EQ4	2	2	—	—	—	—
	MSR	Y	1230 ER6	—	2	—	—	—	—
	MST, MRT	Y	1230 ET8	—	2	—	—	—	—
	MSW, MRW	Y	1230 EW1	—	2	—	—	—	—
	M1X, MDX, MSX, MBX, MRX	Y	1230 EX9	2	2	—	—	—	—
	MSY	Y	1230 EY4	—	2	—	—	—	—
23-76-66	ARM REST, Rear Quarter								
	PANEL	P,D,C	2878 488-9	—	—	—	—	—	1
	M4D, H4D, H6D, P6D	P,D	1244-5 EB7	—	—	—	—	—	1
	L2B, M6B	D	1244-5 EB3	—	—	—	—	—	1
	E2D, M6D	C	1244-5 EB9	—	—	—	—	—	1
	L2G, M6G	D	1244-5 EF3	—	—	—	—	—	1
	M6G	C	1244-5 EF8	—	—	—	—	—	1
	M4R, H4R, H6R, P6R	P,D	1244-5 ER6	—	—	—	—	—	1
	E6T, M6T	C	1244-5 ET4	—	—	—	—	—	1
	E6W, L2W, M4W, M6W, H4W, H6W, P6W	P,D,C	1244-5 EW1	—	—	—	—	—	1
	E2Y	C	1244-5 EY4	—	—	—	—	—	1
	H4X, P6X	D	1244-5 EX9	—	—	—	—	—	1
23-76-76	PAD, Quarter Arm Rest								
	CODES w/Ash Rec.								
	L1B, L2B, D1B, D4B, H1B, H2B, H4B, P6B V,L		1216-7 EB3	1	—	—	1	—	—
	L2B, D6B	B	1216-7 EB5	—	—	—	1	1	—

NOTE: A letter code in the carline column indicates the carline for which the part is released as follows:

CARLINES Indicate:	B - Barracuda	V - Valiant L - Dart	R - Belvedere W - Coronet	P - Plymouth D - Dodge	C - Chrysler Y - Imperial
--------------------	---------------	-------------------------	------------------------------	---------------------------	------------------------------

AR Indicates use as required.
★ Indicates change or addition.

Right and left part numbers are on same line,
first number is right, second number is left.

Printed in U.S.A.
January 1971

1969 PASSENGER CAR PARTS CATALOG

INTERIOR TRIM

CODE	PART NAME	CAR LINE	PART NUMBER	Sed.	4 D.H.T.	Sta. Wgn.	2 D.H.T.	Sp. 2 D.H.T.	Conv.
23-76-76	PAD, Quarter Arm Rest Cont'd.								
	H1G, P6G, H2G	V,L	1216-7 EF3	—	—	—	1	1	—
	D6G	B	1216-7 EF8	—	—	—	1	1	—
	L1R, L2R, D4R, H4R, P6R, D6R	V,B,L	1216-7 ER6	1	—	—	1	1	—
	H6C, H6E, H6F, H6V, H6W, H2C, H2W, P6C, P6E, P6F, P6W	V,L	1216-7 EW1	1	—	—	1	—	—
	L2T, D2T, H2T, D6J, D6T, F6J, D6U	V,B,L	1216-7 ET4	1	—	—	1	1	—
	D1X, D2X, D4X, D6X, D6S, L1X, L2X, X1X, H1X, H2X, H4X, H6X, P6X	V,B,L	1216-7 DX9	1	—	—	1	1	—
	F6P, D6P	B	1216-7 EY3	—	—	—	1	1	—
	H4Y, P6Y	V,L	1216-7 EY4	1	—	—	1	—	—
	E1B, E2B, L2B, L1B, M1B, M2B, M6B, H2B M6B, H1B, H4D, H6D, M1D, H1D, P6D, M4D, P3D, P6D, C6D, CRD, F2Q	R,W,P,D	1276-7 EB3	1	—	—	1	—	—
	H1G, H2G, L1G	P	1276-7 EF3	1	—	—	1	—	—
	M1G, M4G, M6G, H4G, H1G, H6G, P3G, P6G, C6G, CRG	R,W,P,D	1276-7 EF8	1	—	—	1	1	—
	E1L, L1L, M1L	P,D	1276-7 EL3	1	—	—	—	—	—
	M4R, M6R, H6R, P6R, L2R, M2R, H4R	R,W,P	1276-7 ER6	1	—	—	1	1	—
	L2T, M2T, M4T, M6T, H2T, H4T, H6T, P4T, P6T, C6T, CRT, P6T	R,W,P,D	1276-7 ET4	1	—	—	1	1	—
	L2W, M4W, M6W, M6C, M6F, M6H, H2C, H2F, H2H, H2W, H6W, P4W, P6C, P6F, P6H, P6V, P6W, C6W, H4W	R,W,P,D	1276-7 EW1	1	—	—	1	1	—
	K1T, K2T	R,W	1276-7 ET8	1	—	—	—	—	—
	w/Ash Rec.								
	L2X, M1X, M2X, M4X, M6X, H1X, H2X, H4X, H6X, P3X, P4X, P6X, PPX, C5X, C6X, CRX	R,W,P,D	1276-7 DX9	1	—	—	1	1	—
	L1Y, H4Y, H6Y	D	1276-7 EY4	—	—	—	1	—	—
	M4S, H6S, H4S, P6S	P	1276-7 EA4	—	—	—	1	—	—
	M1G Canada	D	1276-7 EF3	—	—	—	1	—	—
	E1D, E2D, L3D, L4D, M4D, H3D, H6D	C	1276-7 EB9	—	—	—	1	—	—
	L4E, M4E	C	1276-7 EE9	—	—	—	1	—	—
	E1G	C	1276-7 EF3	—	—	—	1	—	—
	L3G, L6G, M3G, M6G, H3G	C	1276-7 EF8	—	—	—	1	—	—
	E1L, L5L, M5L	C	1276-7 EL3	—	—	—	1	—	—
	E1Q, L3Q, H3Q	C	1276-7 DQ4	—	—	—	1	—	—
	E2T, E6T, L6T, M6T, H6T	C	1276-7 ET4	—	—	—	1	—	—
	E6W, L6W, M6W, H6W	C	1276-7 EW1	—	—	—	1	—	—
	E1X, E2X, E6X, L3X, L4X, L6X, M3X, M4X, M6X, H3X, H6X	C	1276-7 DX9	—	—	—	1	—	—
	E2Y, L3Y, M3Y, H3Y	C	1276-7 EY4	—	—	—	1	—	—
	MRB	Y	1240 EB3	—	—	—	2	—	—
	M3D, MBD	Y	1240 EB9	—	—	—	2	—	—
	M3G, MRG, MBG	Y	1240 EF8	—	—	—	2	—	—
	M3K, MBK	Y	1240 ET1	—	—	—	2	—	—
	M3M, MBM	Y	1240 EM9	—	—	—	2	—	—
	M3Q, MBQ	Y	1240 EQ4	—	—	—	2	—	—
	MRT	Y	1240 ET8	—	—	—	2	—	—
	MRW	Y	1240 EW1	—	—	—	2	—	—
	M3X, MRX, MBX	Y	1240 EX9	—	—	—	2	—	—
23-76-79	SUPPORT, Quarter Inside Panel Arm Rest	P,D,C,Y	2901 630-1	1	—	—	1	—	—
	BRACKET, Quarter Arm Rest to Quarter Panel Attaching	Y	2878 538	—	—	—	2	—	—
	BRACKET, Quarter Arm Rest to Floor	P,D,C	2878 492	—	—	—	—	—	2
	Screw, att.	P,D,C	6026 092	—	—	—	—	—	6
	BRACKET, Quarter Arm Rest to Quarter Inner Panel	P,D,C	2878 708-9	—	—	—	—	—	1
	Washer	R,W,P,D	141 744	2	—	—	—	—	—

NOTE: A letter code in the carline column indicates the carline for which the part is released as follows:

CARLINES Indicate:	V - Valiant	R - Belvedere	P - Plymouth	C - Chrysler
B - Barracuda	L - Dart	W - Coronet	D - Dodge	Y - Imperial

AR Indicates use as required.

★ Indicates change or addition.

Right and left part numbers are on same line,
first number is right, second number is left.

Printed in U.S.A.

January 1971

CODE	PART NAME	CAR LINE	PART NUMBER	Sed.	4 D.H.T.	Sta. Wgn.	2 D.H.T.	Sp. 2 D.H.T.	Conv.
23-77-3	STRAP, Assist								
	CODES								
	T2T	R,W	4312 ET8	1	—	—	—	—	—
	T2X	R,W	4312 EX9	1	—	—	—	—	—
	K2T	P	4312 E8T	1	—	—	—	—	—
	K2A	D	4312 EX9	1	—	—	—	—	—
	Eyelet	R,W,P,D	6000 272	2	—	—	—	—	—
	MSB	Y	4107 EB3	—	2	—	—	—	—
	MDD, MSD	Y	4107 EB9	—	2	—	—	—	—
	MDG, MSG	Y	4107 EF8	—	2	—	—	—	—
	MDK	Y	4107 ET9	—	2	—	—	—	—
	MDM	Y	4107 EM9	—	2	—	—	—	—
	MSN	Y	4107 EY9	—	2	—	—	—	—
	MDQ	Y	4107 EQ4	—	2	—	—	—	—
	MSR	Y	4107 ER7	—	2	—	—	—	—
	MST	Y	4107 ET8	—	2	—	—	—	—
	MSW	Y	4107 EW1	—	2	—	—	—	—
	MDX, MSX	Y	4107 EX9	—	2	—	—	—	—
	MSY	Y	4107 EY4	—	2	—	—	—	—
23-77-5	SPACER, Center Pillar Assist Strap	P,D	2789 230	2	—	—	—	—	—
23-77-7	BRACKET, Upper Quarter Trim Panel and Assist Strap Mounting	Y	2878 917	—	2	—	—	—	—
23-77-9	BRACKET and PIVOT, Assist Strap Mounting	Y	2879 240-1	—	1	—	—	—	—
23-78-2	BUTTON, Tufting								
	Door trim panel lwr. map pocket	W	2789 736	—	—	—	—	4	—
	2ND. SEAT BACK	D	2577 194	—	—	4	—	—	—
	CUSHION AND BACK								
	CODES								
	H2B, P2B, X2B	R	4812 EB3	AR	AR	AR	AR	—	—
	H2G, P2G	R	4812 EF3	AR	—	AR	AR	—	AR
	H2S, P2S	R	4812 EA6	AR	—	AR	AR	—	AR
	H2T, P2T, X2T	R	4812 ET5	AR	—	AR	AR	—	AR
	H2X, P2X, X2X	R	4812 DX9	AR	—	AR	AR	—	AR
	H2C, H2F, H2H, H2W, P2C, P2F, P2H	R	4812 EW1	AR	—	AR	AR	—	AR
	FRT. AND RR. BACK								
	M1D	P	4515 EB7	AR	AR	—	AR	—	—
	M1G	P	4515 EF8	AR	AR	—	AR	—	—
	M1L	P	4515 EL2	AR	—	—	—	—	—
	M1R	P	4515 ER7	AR	—	—	—	—	—
	M1X	P	4515 EX9	AR	AR	—	AR	—	—
	CUSHION AND BACK, FRT.								
	P3D, C6D, CRD	W	4193 EB7	AR	—	—	—	AR	—
	P3G, C6G, CRG	W	4193 EF8	AR	—	—	—	AR	—
	C6R	W	4193 ER7	—	—	—	—	AR	—
	C6T, CRT	W	4193 ET5	—	—	—	—	AR	—
	C6W	W	4193 EW1	—	—	—	—	AR	—
	P3X, C5X, C6X, CRX	W	4193 EX9	AR	—	—	—	AR	—
	P3Y	W	4193 EY4	AR	—	—	—	—	—
	M1D, P3D, C5D, C6D, CRD	W,P	4515 EB7	AR	AR	—	AR	AR	—
	MBD	Y	4515 EB9	—	—	—	AR	—	—
	M1G, MBG, P3G, C5G, C6G, CRG	W,P,Y	4515 EF8	AR	AR	—	AR	AR	—
	CUSHION AND BACK, FRT.								
	MBM	Y	4515 EM9	—	—	—	AR	—	—
	MBQ	Y	4515 EQ4	—	—	—	AR	—	—
	M1R, C6R	W,P	4515 ER7	AR	—	—	—	AR	—
	C5T, C6T, CRT	W	4515 ET5	—	—	—	—	AR	—
	M1L	P	4515 EL2	AR	—	—	—	AR	—
	C6W	W	4515 EW1	—	—	—	—	AR	—
	MBK	Y	4515 ET9	—	—	—	AR	—	—

NOTE: A letter code in the carline column indicates the carline for which the part is released as follows:

CARLINES Indicate:	B - Barracuda	V - Valiant L - Dart	R - Belvedere W - Coronet	P - Plymouth D - Dodge	C - Chrysler Y - Imperial
--------------------	---------------	-------------------------	------------------------------	---------------------------	------------------------------

AR Indicates use as required.
★ Indicates change or addition.

Right and left part numbers are on same line,
first number is right, second number is left.

Printed in U.S.A.
January 1971

CODE	PART NAME	CAR LINE	PART NUMBER	Sed.	4 D.H.T.	Sta. Wgn.	2 D.H.T.	Sp. 2 D.H.T.	Conv.
23-78-2	BUTTON, Tufting Cont'd.								
	M1X, MBX, P3X, C6X, C5X, CRX.....	W,P,Y	4515 EX9	AR	—	—	AR	AR	—
	P3Y.....	W	4515 EY4	AR	—	—	—	—	—
	RR. BACK								
	L2B, M6B.....	D	4515 EB3	AR	AR	AR	AR	—	AR
	L2G, M6G.....	D	4515 EF3	AR	AR	AR	AR	—	AR
	L2T.....	D	4515 ET5	AR	AR	AR	AR	—	—
	L2W, M6W.....	D	4515 EW1	—	AR	—	AR	—	AR
	L2X, M6X.....	D	4515 EX9	AR	AR	AR	AR	—	AR
	CUSHION AND BACK								
	E4D, L4D, M4D, P3D.....	C	4838 EB9	AR	AR	AR	AR	AR	—
	E4E, L4E, L7E, M4E.....	C	4838 EE8	AR	AR	AR	AR	—	—
	E4G, E8G, M3G, P3G.....	P,C	4838 EF8	AR	AR	AR	AR	AR	—
	E4T, P4T.....	P,C	4838 ET5	AR	AR	AR	AR	AR	—
	E7L, L7L.....	C	4838 EL2	AR	AR	AR	AR	—	—
	E4X, E8X, L4X, L8X, M3X, M4X, P3X, P6X, P8X.....	P,C	4838 DX9	AR	AR	AR	AR	AR	—
	P3D.....	P	4838 EY4	—	AR	AR	AR	AR	—
	P3W, P4W.....	P	4838 EW1	—	AR	AR	AR	AR	—
	PPX.....	P	4839 EX9	—	AR	—	AR	AR	—
	SEAT BACK								
	E4D, L4D, M4D.....	C	4839 EB9	6	6	6	6	—	—
	E4E, L7E, L4E, M4E.....	C	4839 EE8	6	6	6	6	—	—
	E4G, E8G, M3G.....	C	4839 EF8	—	—	6	6	—	—
	E7L, L7L.....	C	4839 EL2	6	6	6	—	—	—
	E4T.....	C	4839 ET5	—	—	6	—	—	—
	M3Y.....	C	4839 EY4	—	6	—	6	—	—
	PPX, P6X.....	P	4839 DX9	—	AR	—	AR	—	—
	E6W, L6W, M6W.....	C	4506 EW1	—	AR	—	AR	—	AR
	FRT. and RR. BACK								
	M6D.....	C	4871 EB9	—	—	—	—	—	8
	L6G, M6G.....	C	4871 EF8	—	8	—	8	—	8
	L5L, M5L.....	C	4871 EL2	—	8	—	8	—	—
	L6T, E6T, M6T.....	C	4871 ET5	—	8	—	8	—	8
	L6W, E6W, M6W.....	C	4871 EW1	—	8	—	8	—	8
	L6X, E6X, M6X.....	C	4871 EX9	—	8	—	8	—	8
	FRT. CUSHION								
	M1D, MDD, MSD.....	Y	4516 EB9	—	AR	—	—	—	—
	MSB.....	Y	4516 EB3	—	AR	—	—	—	—
	MDG, MSG.....	Y	4516 EF8	—	AR	—	—	—	—
	M1G.....	Y	4516 EF3	AR	AR	—	—	—	—
	MSR.....	Y	4516 ER7	—	AR	—	—	—	—
	M1M, MDM.....	Y	4516 EM9	AR	AR	—	—	—	—
	M1Q, MDQ.....	Y	4516 EQ4	AR	AR	—	—	—	—
	MST.....	Y	4516 ET8	—	AR	—	—	—	—
	M1K, MDK.....	Y	4516 ET9	AR	AR	—	—	—	—
	MSW.....	Y	4516 EW1	—	AR	—	—	—	—
	M1X, MDX, MSX.....	Y	4516 EX9	AR	AR	—	—	—	—
	MSY.....	Y	4516 EY4	—	AR	—	—	—	—
	MSN.....	Y	4516 EY9	—	AR	—	—	—	—
	REAR BACK								
	MDD, M1D.....	Y	4193 EB9	8	10	—	—	—	—
	M1G.....	Y	4193 EF3	8	10	—	—	—	—
	MDG.....	Y	4193 EF8	8	10	—	—	—	—
	M1M, MDM.....	Y	4193 EM9	8	10	—	—	—	—
	M1Q, MDQ.....	Y	4193 EQ4	8	10	—	—	—	—
	M1K, MDK.....	Y	4193 ET9	8	10	—	—	—	—
	M1X, MDX.....	Y	4193 EX9	8	10	—	—	—	—
	H1D.....	D	4515 EB7	AR	AR	—	8	—	—
	H1G.....	D	4515 EF8	AR	AR	—	8	—	—

NOTE: A letter code in the carline column indicates the carline for which the part is released as follows:

CARLINES Indicate:	B - Barracuda	V - Valiant	R - Belvedere	P - Plymouth	C - Chrysler
		L - Dart	W - Coronet	D - Dodge	Y - Imperial

AR Indicates use as required.
 ★ Indicates change or addition.

Right and left part numbers are on same line,
 first number is right, second number is left.

Printed in U.S.A.
 January 1971

CODE	PART NAME	CAR LINE	PART NUMBER	Sed.	4 D.H.T.	Sta. Wgn.	2 D.H.T.	Sp. 2 D.H.T.	Conv.
23-78-2	BUTTON, Tufting Cont'd.								
	H1L	D	4515 EL2	AR	—	—	—	—	—
	H1R	D	4515 ER7	AR	—	—	—	—	—
	H1X	D	4515 EX9	AR	AR	—	8	—	—
	MEDALLION, Front or Rear Seat Back with H4 or H8 Trim Codes	D	2943 018	6	6	6	6	—	6
23-78-3	RETAINER, Tufting Button CUSHION AND BACK	W,D,P,C,Y	2577 194	AR	AR	AR	AR	AR	AR
	Frnt. and Rr. Back, use for Trim Codes E6, M5, M6	C	2851 645	—	16	—	16	—	16
	FRT. AND RR. BACK	R	2943 009	8	—	—	8	—	8
	RETAINER, Medallion	D	2943 019	6	6	6	6	—	6
23-79-3	CARPET, Front Floor CODES								
	L1B, L2B, D2B, H1B, H2B, H4B, H6B, D6B, H2C, H4C, H6C, P2B, P6B, P6C	V,B,L	1678 EB9	1	—	—	1	1	1
	H1G, H2G, D6G, H4F, H6F, H6G, P6F, P6G, F6J	V,B,L	1678 EF9	1	—	—	1	1	1
	L1R, L2R, H2R, H4R, H6R, D6R, H4V, H6V, P2R, P6R	V,B,L	1678 ER6	1	—	—	1	1	1
	L2T, D2T, D6T, H2T	B,L	1678 ET8	1	—	—	1	1	1
	L1X, L2X, D2X, H1X, H2X, H2W, H4W, H4X, H1L, P2X, P2W	V,B,L	1678 CX8	1	—	—	1	1	1
	L2X, D6X, D6P, H6X, H4X, H6W, P6X, P6W, F6P	V,B,L	1679 CX8	1	—	—	1	1	1
	H2Y, H4Y, H6E, P6E, P6Y	V,L	1678 EY5	1	—	—	1	—	1
	w/CONSOLE, R.H.D.								
	H6B, H6C, D6B	B	1752 EB9	—	—	—	1	1	1
	H6F, H6G, D6G, F6J	B	1752 EF9	—	—	—	1	1	1
	H6R, H6V, D6R	B	1752 ER6	—	—	—	1	1	1
	D6T	B	1752 ET8	—	—	—	1	1	1
	H6W, H6X, D6P, D6X, P6P	B	1752 EX8	—	—	—	1	1	1
	W/O CONSOLE, R.H.D.								
	L2B, H4B, H4C, H6B, H6C, D6B	B	1751 EB9	—	—	—	1	1	1
	H4F, H6F, H6G, D6G, F6J	B	1751 EF9	—	—	—	1	1	1
	L2R, H6R, D6R	B	1751 ER6	—	—	—	1	1	1
	D6T	B	1751 ET8	—	—	—	1	1	1
	H4W, H4X, H6W, H6X, D6P, L2X, D6X, F6P	B	1751 CX8	—	—	—	1	1	1
	MAN. TRANS., 4 ON FLR.								
	Bucket Seat and 4 On Flr. Cutouts Omitted								
	Blue	R,W	1686 EB9	—	—	—	1	1	1
	Green	R,W	1686 EF9	—	—	—	1	1	1
	Red	R,W	1686 ER6	—	—	—	1	1	1
	Tan	R,W	1686 ET8	—	—	—	1	1	1
	Black	R,W	1686 BX8	—	—	—	1	1	1
	AUTO TRANS.								
	Bucket Seat Cutouts Omitted								
	Blue	R,W	1685 EB9	1	—	1	1	1	1
	Green	R,W	1685 EF9	1	—	1	1	1	1
	Red	R,W	1685 ER6	1	—	1	1	1	1
	Tan	R,W	1685 ET8	1	—	1	1	1	1
	Black	R,W	1685 BX8	1	—	1	1	1	1
	Gold	R,W	1685 EY5	1	—	1	1	1	1
	Bench Seat w/4 On Flr.	B,W	1734 CX8	1	—	1	1	—	1
	w/Ctr. Ext., Bucket Seat and 4 On Flr. Cutouts	R,W	1782 CX8	1	—	1	1	—	1
	Bucket Seats 4 On Flr., Ctr. Arm Rest Holes and Cutouts	R,W	1769 CX8	1	—	1	1	—	1
	E1B, E2B, L1B, L2B, M1D, M4D, H1B, M1B, M2B, H4D, E1D, E2D, E4D, L3D, L4D, H1D, H4D, H3D, H8D, P3D, P6D, M6D, S7B	P,D,C	1747 EB9	1	1	1	1	1	1

NOTE: A letter code in the carline column indicates the carline for which the part is released as follows:

CARLINES Indicate:	B - Barracuda	V - Valiant L - Dart	R - Belvedere W - Coronet	P - Plymouth D - Dodge	C - Chrysler Y - Imperial
--------------------	---------------	-------------------------	------------------------------	---------------------------	------------------------------

AR Indicates use as required.
★ Indicates change or addition.

Right and left part numbers are on same line,
first number is right, second number is left.

Printed in U.S.A.
January 1971

1969 PASSENGER CAR PARTS CATALOG

INTERIOR TRIM

CODE	PART NAME	CAR LINE	PART NUMBER	Sed.	4 D.H.T.	Sta. Wgn.	2 D.H.T.	Sp. 2 D.H.T.	Conv.
23-79-3	CARPET, Front Floor Cont'd.								
	E4E, L4E, L7E, M4E.....	C	1747 EE9	1	1	1	1	—	—
	E1G, E4G, E8G, L1G, L2G, L3G, M1G, M3G, M4G, H1G, H3G, H4G, H7G, H6G, P3G, P6G, S7Gk	P,D,C	1747 EF9	1	1	1	1	1	1
	E1L, E7L, L7L, M5L, H1L, H7L, H8L.....	D,C	1747 EY8	1	1	—	1	—	—
	E1Q, L3Q, H1Q, H3Q.....	C	1747 EQ8	1	1	—	1	—	—
	E2R, L2R, M1R, M4R, M2R, X2R, H1R, H4R, P6R.....	P,D	1747 ER6	1	1	1	1	—	1
	K1T, K2T, E2T, E4T, L2T, L4T, M2T, M4T, M6T, H4T, H6T, HST, H8T, P4T, X2T....	P,D,C	1747 ET8	1	1	1	1	—	—
	E1L, E2L, E1X, E2X, E4X, L1X, L1L, L2X, L2W, L3X, L4X, K1A, K2A, M1X, M2X M2W, M1L, M4X, M4W, M4S, M3X, P3X, H4S, P4X, PPX, P4W, H1X, H3X, H4X, L1Y, E2Y, L3Y, M3Y, H1Y, H3Y, H4Y.....	D,C	1747 EY5	1	1	—	1	—	1
	M3D, MBD, MRB, M1D, D1D, MDD, MSB, MSD.....	Y	1754 EB9	1	1	—	1	—	—
	M3G, MBG, MRG, M1G, D1G, MDG, MSG.....	Y	1754 EF9	1	1	—	1	—	—
	M3K, MBK, MRT, M1K, D1K, MDK, MST.....	Y	1754 ET9	1	1	—	1	—	—
	M3M, MBM, MDM, M1M, D1M.....	Y	1754 EM9	1	1	—	—	—	—
	M3X, MBX, MRW, M1X, D1X, MRX, MDX, MSN, MSW, MSX.....	Y	1754 EX9	1	1	—	1	—	—
	MBQ, MDQ, D1Q.....	Y	1754 EQ6	1	1	—	—	—	—
	MSR.....	Y	1735 ER	—	1	—	—	—	—
	MSY.....	Y	1735 EY5	—	1	—	—	—	—
23-79-33	CARPET, Rear Floor								
	CODES								
	L1B, L2B, D1B, D2B, D4B, D6B, H1B, H2B, H4B, H4C, H6B, H6C.....	V,B	1681 EB9	1	—	—	1	1	1
	H1G, H6F, H4F, H6G, D6G, F6J.....	V,B	1681 EF9	1	—	—	1	1	1
	L1R, L2R, D2R, D4R, H2R, H4R, H4V, H6R, D6R.....	V,B	1681 ER6	1	—	—	1	1	1
	L1X, L2X, L2L, D1X, D4X, H1X, H2X, H4X, H6X, H6W, H4W, D6P, F6P.....	V,B	1681 CX8	1	—	—	1	1	1
	D6T, L2T.....	B	1681 ET8	—	—	—	1	1	1
	H2Y, H6E.....	V	1681 EY5	1	—	—	—	—	—
	Ctr. Flr. Pan Cover								
	L2B, H4B, H4C, H6B, H6C, D6B.....	B	6545 EB9	—	—	—	—	1	—
	H4F, H6F, H6G, D6G.....	B	6545 EF9	—	—	—	—	1	—
	L2R, H4V, H6R, H6V, D6R.....	B	6545 ER6	—	—	—	—	1	—
	D6T.....	B	6545 ET8	—	—	—	—	1	—
	L2X, H4X, H4W, H6X, H6W, D6P, D6U, D6X.....	B	6545 CX8	—	—	—	—	1	—
	Crt. Flr. Pan Panel Cover								
	L2B, H4B, H4C, H6B, H6C.....	B	1837 EXB	—	—	—	—	1	—
	H4F, H6F, H6G.....	B	1837 EXF	—	—	—	—	1	—
	L2R, H4V, H6R, H6V.....	B	1837 EXR	—	—	—	—	1	—
	L2X, H4W, H4X, H6W, H6X.....	B	1837 EX9	—	—	—	—	1	—
	CTR. FLR. PAN COVER PNL. CARPET AND FOUNDATION								
	L2B, H4B, H4C, H6B, H6C, D6B.....	B	6544 EB9	—	—	—	—	1	—
	H4F, H6F, H6G, D6G, D6J.....	B	6544 EF9	—	—	—	—	1	—
	L2R, H4V, H6R, H6V, D6R.....	B	6544 ER6	—	—	—	—	1	—
	D6T.....	B	6544 ET8	—	—	—	—	1	—
	L2X, H4X, H4W, H6X, H6W, D6P, D6N, D6U.....	B	6544 CX8	—	—	—	—	1	—
	Screw, Ctr. Flr. Pan Cover Panel.....	B	9414 711	—	—	—	—	8	—
	L1B, L2B, D2B, H1B, H2B, H2C, H6B, P2B, P6B, P6C.....	L	1682 EB9	1	—	—	1	—	1
	H1G, H2G, P6F, P6G.....	L	1682 EF9	1	—	—	1	—	1
	L1R, H2R, P2R, P6R.....	L	1682 ER6	1	—	—	1	—	1
	P6Y, P6E.....	L	1682 EY5	—	—	—	1	—	1
	L2T, D2T, H2T.....	L	1682 ET8	1	—	—	1	—	—

NOTE: A letter code in the carline column indicates the carline for which the part is released as follows:

CARLINES Indicate:	B - Barracuda	V - Valiant L - Dart	R - Belvedere W - Coronet	P - Plymouth D - Dodge	C - Chrysler Y - Imperial
--------------------	---------------	-------------------------	------------------------------	---------------------------	------------------------------

AR Indicates use as required.

★ Indicates change or addition.

Right and left part numbers are on same line,
first number is right, second number is left.

Printed in U.S.A.

January 1971

CODE	PART NAME	CAR LINE	PART NUMBER	Sed.	4 D.H.T.	Sta. Wgn.	2 D.H.T.	Sp. 2 D.H.T.	Conv.
23-79-33	CARPET, Rear Floor Cont'd.								
	L1X, L2X, D2X, H1L, H2X, H2W, H6X P2X, P2W, P6X, P6W	L	1682 CX8	1	—	—	1	—	1
	M2B, M6B, M6C, H2B, H2C, F2Q, P6C, P6D, P2D, CRD, C6D	R,W	1688 EB9	1	—	—	1	1	1
	M6F, M6G, H2F, H2G, H1G, P6F, P6G, CRG, C6G	R,W	1688 EF9	1	—	—	1	1	—
	M6R, P6R, P6V, H2R, C6R	R,W	1688 ER6	1	—	—	1	1	1
	M6T, M6H, M2T, H2T, H2H, P6H, P6T CRT, C6T	R,W	1688 ET8	1	—	—	1	1	1
	Black	R,W	1688 BX8	1	—	—	1	1	1
	H1Y, P3Y Gold	R,W	1703 EY5	1	—	—	—	—	—
	Crt. Flr. Pan Cvr. Pnl. Insert, 6 Pass.								
	L2B, H2B, H2C, P2B, P2C, D2D, P2D, P6D	R, W	1800 EB9	—	—	1	—	—	—
	H2G, P2F, P2G, D2G	R,W	1800 EF9	—	—	1	—	—	—
	L2T, H2T, P2H, P2T, D2T, P6T	R,W	1800 ET8	—	—	1	—	—	—
	D2X, H2S, H2X, P2S, P2X, P6X	R,W	1800 BX9	—	—	1	—	—	—
	Rr. Flr. Pan Cvr. Pnl. Insert, 6 Pass.								
	L2B, H2B, H2C, P2B, P2C, D2D, P2D, P6D	R,W	1801 EB9	—	—	1	—	—	—
	H2G, P2F, P2G, D2G	R,W	1801 EF9	—	—	1	—	—	—
	L2T, H2T, P2H, P2T, D2T, P6T	R,W	1801 ET8	—	—	1	—	—	—
	D2X, H2S, H2X, P2S, P2X, P6X	R,W	1801 BX9	—	—	1	—	—	—
	E1B, L2B, M1D, M4D, H6D, P3D	P	1772 EB9	1	—	—	1	1	1
	K1T, K2T, L2T, M4T, H6T, P4T	P	1772 ET8	1	—	—	1	—	—
	E1L, M1L, L2X, M1X, M4X, M8X, M4W, M4S, H6X, P3X, P4X, H6S, H6W, P4W, PPX	P	1772 EX8	1	—	—	1	1	1
	L1G, M1G, M4G, H6G, P3G	P	1772 EF9	1	—	—	1	1	—
	M4R	P	1772 ER6	1	—	—	1	—	1
	M1D, M4D, P3D	P	1701 EB9	—	1	—	—	—	—
	M1G, M4G, P3G	P	1701 EF9	—	1	—	—	—	—
	M4R, H6R	P	1701 ER6	—	1	—	—	—	—
	M4T, P4T	P	1701 ET8	—	1	—	—	1	—
	M1X, M4X, M4S, P3X, P4W, P4X, PPX	P	1701 EX8	—	1	—	—	—	—
	L1B, L2B, H4D, H1D, S7B	D	1705 EB9	—	1	—	—	—	—
	L1G, H1G, H2G, H4G, S7G	D	1705 EF9	—	1	—	—	—	—
	L2T, H4T	D	1705 ET8	—	1	—	—	—	—
	H4R	D	1705 ER6	—	1	—	—	—	—
	L1X, L2X, L2W, H4X, H6W, H6X, H7X, H1X, H8X, H4S, S7X	D	1705 EX8	—	1	—	—	—	—
	L1Y, H4T, H6Y	D	1705 EY5	—	1	—	—	—	—
	E2B, L2B, M2B, M4D, H4D, E4D	P,D	1706 EB9	—	—	1	—	—	—
	E2R, L2R, M4R, M2R, H4R	P,D	1706 ER6	—	—	1	—	—	—
	L2T, M2T, M4T, E4T, H4T, H4H, H8T	P,D	1706 ET8	—	—	1	—	—	—
	M2X, L2L, M2W, E8X, E2L, L2X, L2W, M4X, M4S, H4X, M8X, H8X, H4S	P,D,C	1706 EX8	—	—	1	—	—	—
	E7L	C	1706 EY8	—	—	1	—	—	—
	E8G, L2G, M4G, H4G	P,D,C	1706 EF9	—	—	1	—	—	—
	E7L, E4E	C	1706 EE9	—	—	1	—	—	—
	H1L	D	1711 EY8	1	—	—	—	—	—
	L1B, L2B, M1B, M2B, M6B, X2B, S7B, H1D, H4D, H7B, H1B	D	1716 EB9	1	—	—	1	—	1
	L1G, L2G, M1G, M6G, S7G, H1G, H6G	D	1716 EF9	1	—	—	1	—	—
	L2T, M2T, H4T	D	1716 ET8	1	—	—	1	—	—
	L1X, L2X, M6W, M1L, M2X, M6X, H1X, H4X, H6W H6X, H7X, H1L, H1L, H8X, S7X	D	1716 EX8	1	—	—	1	—	1
	L1Y, H4Y, L4Y	D	1716 EY5	—	—	—	1	—	—
	P6D	D	1743 EB9	—	—	—	1	—	—
	P6G	D	1743 EF9	—	—	—	1	—	—
	P6R	D	1743 ER6	—	—	—	1	—	1

NOTE: A letter code in the carline column indicates the carline for which the part is released as follows:

CARLINES Indicate:	B - Barracuda	V - Valiant L - Dart	R - Belvedere W - Coronet	P - Plymouth D - Dodge	C - Chrysler Y - Imperial
--------------------	---------------	-------------------------	------------------------------	---------------------------	------------------------------

AR Indicates use as required.
★ Indicates change or addition.

Right and left part numbers are on same line,
first number is right, second number is left.

Printed in U.S.A.
January 1971

1969 PASSENGER CAR PARTS CATALOG

INTERIOR TRIM

CODE	PART NAME	CAR LINE	PART NUMBER	Sed.	4 D.H.T.	Sta. Wgn.	2 D.H.T.	Sp. 2 D.H.T.	Conv.
23-79-33	CARPET, Rear Floor Cont'd.								
	P6S, P6W, P6X	D	1743 EX8	—	—	—	—	—	—
	P6T	D	1743 ET8	—	—	—	—	—	—
	INSERT, CENTER AND REAR FLOOR PAN COVER								
	E2B, L2B, M4D	P	1810 EB9	—	—	—	—	—	—
	L2G, M4G	P	1810 EF9	—	—	—	—	—	—
	E2R, L2R, M4R	P	1810 ER6	—	—	—	—	—	—
	L2T, M4T	P	1810 ET8	—	—	—	—	—	—
	E2L, L2X, L2W, M4S, M4X, M8X	P	1810 EX9	—	—	—	—	—	—
	E1D, E2D, L3D, L4D, M4D, M6D, H1D, H7D	C	1717 EB9	—	—	—	—	—	—
	L4E, L7E, M4E, H7E	C	1717 EE9	—	—	—	—	—	—
	E1G, L3G, M3G, M5G, H1G	C	1717 EF9	—	—	—	—	—	—
	E1L, L7L, H7L, H8L, M5L	C	1717 EY8	—	—	—	—	—	—
	E1Q, L3Q, H1Q	C	1717 EQ8	—	—	—	—	—	—
	M6T, HST, E2T	C	1717 ET8	—	—	—	—	—	—
	E2Y, L3Y, M3Y, H1Y	C	1717 EY5	—	—	—	—	—	—
	E1X, E2X, L3X, L4X, L8X, M3X, M4X, M6W, M6X, H8X, H1X	C	1717 EX8	—	—	—	—	—	—
	E1D, E2D, L3D, L4D, H1D, H7D	C	1707 EB9	—	—	—	—	—	—
	L4E, L7E, H7E	C	1707 EE9	—	—	—	—	—	—
	E1G, L3G, H1G	C	1707 EF9	—	—	—	—	—	—
	E1L, L7L	C	1707 EY8	—	—	—	—	—	—
	E1Q, L3Q, H1Q	C	1707 EQ8	—	—	—	—	—	—
	HST	C	1707 ET8	—	—	—	—	—	—
	E1X, E2X, L3X, L8X, L4X, H1X, H8X	C	1707 EX8	—	—	—	—	—	—
	E2Y, L3Y, H1Y, H3Y	C	1707 EY5	—	—	—	—	—	—
	E1D, E2D, L3D, L4D, M4D, M6D, H1D, H3D, H7D	C	1738 EB9	—	—	—	—	—	—
	L4E, L7E, H7E, M4E	C	1738 EE9	—	—	—	—	—	—
	E1G, L3G, M3G, M6G, H1G, H3G	C	1738 EF9	—	—	—	—	—	—
	E1L, L7L, M5L, H7L	C	1738 EY8	—	—	—	—	—	—
	E1Q, L3Q, H1Q, H3Q	C	1738 EQ8	—	—	—	—	—	—
	E2T, HST, E6T, M6T, H6T	C	1738 ET8	—	—	—	—	—	—
	E6W, E1X, E2X, E6X, L3X, L4X, M6W, M3X, M4X, H1X, H6W, H6X, H3X	C	1738 EX8	—	—	—	—	—	—
	E2Y, L3Y, M3Y, H3Y	C	1738 EY5	—	—	—	—	—	—
	RR. FLR. WELL 9 PASS.								
	H2B, H2C, D2D, P2B, P2C, P2D, P6D	R,W	1786 EB9	—	—	—	—	—	—
	H2G, D2G, P2G, H2F, P2F	R,W	1786 EF9	—	—	—	—	—	—
	H2H, H2T, P2H, P2T, D2T, P6T	R,W	1786 ET8	—	—	—	—	—	—
	H2S, H2X, P2S, P2X, D2X, P6X	R,W	1786 BX8	—	—	—	—	—	—
	L2B, M2B, M6D, H4D, E4D	P,D,C	1700 EB9	—	—	—	—	—	—
	L2G, M6G, H4G, E4G, E8G	P,D,C	1700 EF9	—	—	—	—	—	—
	M2T, H4T, L2T	D,P	1700 ET8	—	—	—	—	—	—
	CTR. AND RR. FLR. PAN CVR. PNL. INSERT								
	E2B, L2B, M2B, M4D, H4D	P,D	1810 EB9	—	—	—	—	—	—
	L2G, M4G, H4G	P,D	1810 EF9	—	—	—	—	—	—
	E2R, L2R, M2R, M4R, H4R	P	1810 ER6	—	—	—	—	—	—
	E2T, L2T, M2T, M4T, H4T	P,D	1810 ET8	—	—	—	—	—	—
	E2L, L2L, L2X, L2W, M2W, M4S, H4S, M2X, M4X, M8X, H4X, H8X	P,D	1810 EX9	—	—	—	—	—	—
	L2R, M4R, M2R, H4R	P,D	1700 ER6	—	—	—	—	—	—
	L2L, M2W, L2W, L2X, M4X, M8X, H4X, H8X, E4X, E8X, M2X, H4S	P,D,C	1700 EX8	—	—	—	—	—	—
	E4E	C	1700 EE9	—	—	—	—	—	—
	E7L	C	1700 EY8	—	—	—	—	—	—
	REAR FLOOR WELL 6 Pass.	C	1725 EX8	—	—	—	—	—	—
	CTR. AND RR. FLR. PAN CVR. PANEL CARPET AND MLDG. INSERT								
	L2B, H4D, E4D	D,C	1813 EB9	—	—	—	—	—	—

NOTE: A letter code in the carline column indicates the carline for which the part is released as follows:

CARLINES Indicate:	B - Barracuda	V - Valiant L - Dart	R - Belvedere W - Coronet	P - Plymouth D - Dodge	C - Chrysler Y - Imperial
--------------------	---------------	-------------------------	------------------------------	---------------------------	------------------------------

AR Indicates use as required.

★ Indicates change or addition.

Right and left part numbers are on same line, first number is right, second number is left.

Printed in U.S.A.

January 1971

CODE	PART NAME	CAR LINE	PART NUMBER	Sed.	4 D.H.T.	Sta. Wgn.	2 D.H.T.	Sp. 2 D.H.T.	Conv.
23-79-33	CARPET, Rear Floor Cont'd.								
	L2G, H4G, E4G, E8G	D,C	1813 EF9	—	—	1	—	—	—
	L2T, H4T, H4H, H8T, E4T	D,C	1813 ET8	—	—	1	—	—	—
	L2X, H4X, H8X, E4X, E8X	D,C	1813 EX8	—	—	1	—	—	—
	E4E	C	1813 EE9	—	—	1	—	—	—
	E7L	C	1813 EY8	—	—	1	—	—	—
	Screw and Washer, Ctr. and Rr. Flr.								
	Pan Cover Pnl. Frt. and Rr. Att.	P,D,C	6024 952	—	—	6	—	—	—
	Cargo Compt. Dress-Up								
	Ctr. and RR. FLR. PAN COVER PNL. CARPET INSERT								
	E2B, L2B, M4D, H4D, M2B	P,D	1840 EB9	—	—	1	—	—	—
	L2G, M4G, H4G	P,D	1840 EF9	—	—	1	—	—	—
	L2T, M2T, M4T, H4T, H4H, H8T	P,D	1840 ET8	—	—	1	—	—	—
	E2L, L2W, L2X, M4S, M4X, M8X, L2L, M2W, M2X, H4X, H8X, H4S	P,D	1840 EX8	—	—	1	—	—	—
	E2R, L2R, M4R, M2R, H4R	P,D	1840 ER6	—	—	1	—	—	—
	AXLE KICK-UP CTR. FLR.								
	PAN RR.	P,D,C	4320 EX9	—	—	1	—	—	—
	Screw, Rr. Flr. Mat and Carpet Att.	P,D,C,Y	9415 956	AR	—	AR	—	AR	—
	Screw, Rr. Flr. Pan Carpet Insert Att.								
	Ctr. and Rr. Flr. Pan Carpet Insert Att.								
	Folding Flr. Cover Back Support Panel								
	Carpet Insert Att.	D,C	6026 992	—	—	AR	—	—	—
	Screw and Washer, Ctr. and Rr. Flr. Pan Cover Insert Att., Rr. Flr. Pan Cover Att., 6 Pass	P,D	6027 018	—	—	AR	—	—	—
	Screw and Washer, Ctr. and Rr. Flr. Pan Cover Panel Mldg.	P,D,C	6024 848	—	—	6	—	—	—
	D1D, M1D	Y	1753 EB9	1	—	—	—	—	—
	D1G, M1G	Y	1753 EF9	1	—	—	—	—	—
	D1K, M1K	Y	1753 ET9	1	—	—	—	—	—
	D1M, M1M	Y	1753 EM9	1	—	—	—	—	—
	D1X, M1X	Y	1753 EX9	1	—	—	—	—	—
	M1Q	Y	1753 EQ6	1	—	—	—	—	—
	M3B, MRB, MBD	Y	1785 EB9	1	—	1	—	—	—
	M3G, MRG, MBG	Y	1785 EF9	1	—	1	—	—	—
	M3K, MRT, MBK	Y	1785 ET9	1	—	1	—	—	—
	MBM	Y	1785 EM9	1	—	1	—	—	—
	M3X, MRX, MBX, MRW	Y	1785 EX9	1	—	1	—	—	—
	M3Q, MBQ	Y	1785 EQ6	1	—	—	—	—	—
	MDD, MSB, MSD, D1D	Y	1740 EB9	—	1	—	—	—	—
	MDG, MSG, D1G	Y	1740 EF9	—	1	—	—	—	—
	MDK, MST, D1K	Y	1740 ET9	—	1	—	—	—	—
	MDM, D1M	Y	1740 EM9	—	1	—	—	—	—
	MDX, MSN, MSW, MSX, D1X	Y	1740 EX9	—	1	—	—	—	—
	MDQ, D1Q	Y	1740 EQ6	—	1	—	—	—	—
	MSR	Y	1740 ER6	—	1	—	—	—	—
	MSY	Y	1740 EY5	—	1	—	—	—	—
23-79-34	RETAINER, Rear Floor Well Carpet								
	Rr.	R,W	2657 922	—	—	AR	—	—	—
	Side	P,D,C	2878 314-5	—	—	1	—	—	—
23-79-64	CARPET, Luggage Compartment Floor								
	CODES								
		C	1783 EX9	1	1	—	1	—	—
		C	1783 EX9	—	—	—	—	—	1
		Y	7669 EX9	1	1	—	1	—	—
	SPARE TIRE COVER								
	Black	C,Y	4919 EX9	1	1	—	1	—	1
	Blue	R,W	4323 EB7	—	—	1	—	—	—

NOTE: A letter code in the carline column indicates the carline for which the part is released as follows:

CARLINES Indicate:	V - Valiant	R - Belvedere	P - Plymouth	C - Chrysler
B - Barracuda	L - Dart	W - Coronet	D - Dodge	Y - Imperial

AR Indicates use as required.
★ Indicates change or addition.

Right and left part numbers are on same line,
first number is right, second number is left.

Printed in U.S.A.
January 1971

CODE	PART NAME	CAR LINE	PART NUMBER	Sed.	4 D.H.T.	Sta. Wgn.	2 D.H.T.	Sp. 2 D.H.T.	Conv.
23-79-64	CARPET, Luggage Compartment Floor Cont'd.								
	Green	R,W	4323 EF8	—	—	1	—	—	—
	Tan	R,W	4323 ET4	—	—	1	—	—	—
	Black	R,W	4323 DX9	—	—	1	—	—	—
	Gray	R,W	4323 EA4	—	—	1	—	—	—
	E2B, L2B	P,D	4149 EB7	—	—	1	—	—	—
	M4D, H4D	P,D	4149 EB7	—	—	1	—	—	—
	E4D	C	4149 EB9	—	—	1	—	—	—
	L2G	C	4149 EF8	—	—	1	—	—	—
	M4G, H4G, E4G, E8G	P,D,C	4149 EF8	—	—	1	—	—	—
	E2R, L2R, M4R	P	4149 ER6	—	—	1	—	—	—
	M4S	P	4149 EX9	—	—	1	—	—	—
	E4T, E8T, L2T, M4T, H4T, H4H, H8T	P,D,C	4149 ET4	—	—	1	—	—	—
	L2W	P	4149 EW1	—	—	1	—	—	—
	E4X, E8X, L2X, M2X, M4X, M8X, H4X, H4S, H8X	P,D,C	4149 EX9	—	—	1	—	—	—
	E4E	C	4149 EE9	—	—	1	—	—	—
	L2B, M2B, H4D	D	4149 EB7	—	—	1	—	—	—
	H4G	D	4149 EF8	—	—	1	—	—	—
	L2R, M2R, H4R	D	4149 ER6	—	—	1	—	—	—
	M2T, H4T	D	4149 ET4	—	—	1	—	—	—
	M2W	D	4149 EW1	—	—	1	—	—	—
	E2L, L2L, E7L	D	4149 EL3	—	—	1	—	—	—
	LUGG. COMPT. RR. SEAT HEATER COVER	C,Y	7664 EX9	1	1	—	1	—	—
	Fastener Att.	C,Y	6000 903	2	2	—	2	—	—
	Note: See P.T.C. 23-04-229 for Further Information								
23-79-65	BRACKET, Spare Tire Cover Latching	P,D,C	2878 450	—	—	1	—	—	—
23-79-67	HANDLE, Spare Tire Cover	P,D,C	4183 AX9	—	—	1	—	—	—
23-79-68	GROMMET, Spare Tire Cover Latching	R,W,P,D,C	2656 731	—	—	4	—	—	—
23-79-79	CARPET, Tailgate Inside Panel								
	CODES								
	E4D	C	1834 EB9	—	—	1	—	—	—
	E4E	C	1834 EE9	—	—	1	—	—	—
	E4G, E8G	C	1834 EF9	—	—	1	—	—	—
	E7L	C	1834 EY8	—	—	1	—	—	—
	E4T, E8T	C	1834 ET8	—	—	1	—	—	—
	E4X, E8X	C	1845 EX8	—	—	1	—	—	—
	Screw, Tailgate Inside Panel Carpet and Mldg. Insert Att.	D,C	9414 752	—	—	14	—	—	—
23-81-3	HANDLE, Rear Door Pull-To								
	Right	R,W,P,D	1697 413	1	—	—	—	—	—
	Pin	Y	273 337	2	2	2	—	2	—
	Screw, Frt. and Rr. Door Pull Handle	Y	9423 819	8	8	—	8	—	—
	Nut, Frt. and Rr. Door Pull Handle	Y	9414 977	8	8	—	8	—	—
	Screw, Rr. Door Pull Handle Att.	P,D	9417 992	4	—	—	—	—	—
23-82-30	HOOK, Coat Hanger								
	OUTER COVER								
	CODES								
	E1B, E2B, L1B, L2B, D2B, D4B, X2B, M1D, M4D, M6D, H1B, H2B, H2C, H6B, H6C, H7B, P3D	V,L,R, W,P,D	4121 EB2	2	—	—	—	—	—
	MRB, MSB	Y	4121 EB2	—	2	—	2	—	—
	L2B, D2B, E4D, D6B, M1D, M4D, M2B, M6B, P3D, P6D, P6B, C6D, F2Q, CRD, H1B, H2B, H3D, H4B, H4C, H6B, H6C, H6D, H7B	B,L,R,W, P,D,C	4121 EB8	—	2	—	2	2	—
	E2B, L2B, M4D, M6D	P,C	4121 EB2	—	2	2	2	—	—

NOTE: A letter code in the carline column indicates the carline for which the part is released as follows:

CARLINES Indicate:	B - Barracuda	V - Valiant L - Dart	R - Belvedere W - Coronet	P - Plymouth D - Dodge	C - Chrysler Y - Imperial
--------------------	---------------	-------------------------	------------------------------	---------------------------	------------------------------

AR Indicates use as required.
★ Indicates change or addition.

Right and left part numbers are on same line,
first number is right, second number is left.

Printed in U.S.A.
January 1971

CODE	PART NAME	CAR LINE	PART NUMBER	Sed.	4 D.H.T.	Sta. Wgn.	2 D.H.T.	Sp. 2 D.H.T.	Conv.
23-82-30	HOOK, Coat Hanger Cont'd.								
	H4D.....	D	4121 EB8	—	—	2	—	—	—
	H1G, H2G, X1G.....	L	4121 EF2	2	—	—	—	—	—
	H2G.....	L	4121 EF7	—	—	—	2	—	—
	H2G, P6G.....	L	4121 EF7	—	—	—	2	—	—
	M6F, M6G, H1G, H2G, H4F, H6F, H6G, F6J, D6J, D6G, P3G, P6G, C6G, CRG.....	V,B,R,W	4121 EF7	2	—	—	2	2	—
	L1G, L2G, M1G, M4G, H1G, H7G.....	P,D	4121 EF2	2	—	—	—	—	—
	M1G, M4G, M6G, H4G, H6G, P3G.....	P,D	4121 EF7	—	2	2	2	2	—
	E4G, E8G, L3G, L6G, M3G, M6G, D1G, H1G, H3G, MBG, MDG, MSG.....	C,Y	4121 EF7	2	2	2	2	—	—
	E2T, E4T, E6T, E8T, K1T, K2T, X1T, X2T, L1T, L2T, L6T, M2T, M4T, M6T, H1T, H2T, D1K, H2H, H8T, P4T, P6T, D2T, C6T, CRT, H5T, H6T, M1K, MBK, MRT, MST, MDK.....	V,B,L,R,W, P,D,C,Y	4121 ET1	2	2	2	2	2	—
	E1L, L1L, L5L, L7L, M1L, M5L, H7L, H8L.....	L,R,W,P, D,C	4121 EL3	2	2	—	2	—	—
	L1R, M1R, M4R, M6R, E2R, D2R, D4R, D6R, X2R, H2R, H4R, H4V, H6R, H6V, P6R.....	V,B,L,R, W,P,Y	4121 ER6	2	2	2	2	2	—
	L2W, L6W, M4W, M6C, M6F, M6H, M6W, MRW, MSW, H2C, H2F, H2W, H2H, H4C, H4F, H4V, H4W, P4W, H6C, H6F, H6V, H6W, P6C, P6E, P6F, P6W, P6V, P6H, C6W.....	V,B,L,R,W, P,D,C,Y, R,W	4121 EW1 4121 EW1	2 —	2 —	— 2	2 —	2 —	— —
	W/AIR COND.								
	E2B, E2R, E2L, E4D, E4E, E4X, E4G, E4T, E7L, E8X, E8G, E8T, L2B, L2R, L2T, L2G, L2W, L2X, M4S, M4D, M4G, M4R, M4T, M4X, M8X, H4G, H4H, H4T, H4D, H4X, H8X, H8T.....	P,D,C	4121 EW1	—	—	2	—	—	—
	W/O AIR COND.								
	E4E, L4E, L7E, M4E, H7E3.....	C	4121 EE9	—	2	2	2	—	—
	E1D, E2D, E1X, E6X, L1X, L2X, L3X, L4X, L5X, L8X, L3D, L4D, L7D, M1X, M2X, M3X, M4X, M6G, M6X, M8X, D1M, M1M, MBM, MDM, MID, MBD, MDD, MSD, MBX, MDX, MRX, MSX, MSN, H1D, H6D, H2S, H3X, H4X, H4W, H6X, H6W, H7X, H8X, D1X, D2X, D4X, D6X, D6P, D6S, DSU, P6S, P6X, P3X, P8X, PPX, C5X, C6X, CRX, X1X, X4X.....	V,B,L,R,W, P,D,C,Y, C,Y	4121 DX9 4121 EQ3	2 2	2 2	— —	2 2	2 —	— —
	E1Q, L3Q, H1Q, H3Q, M1Q, D1Q, MBQ, MDQ.....	V,L,W,D, C,Y	4121 EY1	2	2	—	2	—	—
	E2Y, L3Y, M3Y, MSY, H1Y, H2Y, H3Y H4Y, H6E, H6Y, P3Y, P6Y.....	V,B,L,R,W, P,D,C,Y	6024 654	4	4	—	4	—	—
	Screw, Hook Att.								
23-82-39	SUPPORT, Coat Hook								
	Inner Left.....	V,B,L,R,W, P,D,C,Y	2876 976	2	2	2	2	2	—
	Screw, Coat Hanger Hook Left.....	V,B,L,R,W	6024 654	2	2	2	2	2	—
23-84-3	PAD, Instrument Panel Trim								
	CODES								
	D1B,D2B, D4B, L1B, L2B, H1B, H2B, H2C, H4C, H4B, H6B, H6C, D6B, P2B, P6B, P6C...	V,B,L	4239 EB7	1	—	—	1	1	1

NOTE: A letter code in the carline column indicates the carline for which the part is released as follows:

CARLINES Indicate:	B - Barracuda	V - Valiant L - Dart	R - Belvedere W - Coronet	P - Plymouth D - Dodge	C - Chrysler Y - Imperial
--------------------	---------------	-------------------------	------------------------------	---------------------------	------------------------------

AR Indicates use as required.
★ Indicates change or addition.

Right and left part numbers are on same line,
first number is right, second number is left.

Printed in U.S.A.
January 1971

1969 PASSENGER CAR PARTS CATALOG

INTERIOR TRIM

CODE	PART NAME	CAR LINE	PART NUMBER	Sed.	4 D.H.T.	Sta. Wgn.	2 D.H.T.	Sp. 2 D.H.T.	Conv.
23-84-3	PAD, Instrument Panel Trim Cont'd.								
	H1G, H2G, X1G, H4F, H6F, H6G, D6G, D6J, F6J, P6F, P6G.....	V,B,L	4239 EF8	1	—	—	1	1	1
	L1R, L2R, D2R, D4R, H2R, H4R, H4V, H6V, H6R, D6R, P2R, P6R, X2R.....	V,B,L	4239 ER8	1	—	—	1	1	1
	X1T, L2T, D2T, D6T, H2T.....	V,B,L	4239 ET8	1	—	—	1	1	1
	L1X, L2X, X1X, D1X, D2X, D4X, D6X, D6U, D6P, F6P, H1X, H2X, H4X, H6X, H6W, H1L, H2W, P2W, P2X, P6W, P6X.....	V,B,L	4239 EX9	1	—	—	1	1	1
	H2Y, H4Y, H6E, P6E, P6Y.....	V,L	4239 EY8	1	—	—	1	—	1
	UPPER								
	L1B, L2B, X2B, M2B, H1B, H2B, H2C, D2D, P2B, P2D, P3D, P2C, P6C, P6D, C5D, C6D.....	R,W	4203 EB7	1	—	1	1	1	1
	H1G, H2G, H2F, D2G, P2F, P2G, P3G, P6F, P6G, C5G, C6G.....	R,W	4203 EF8	1	—	1	1	1	1
	H2R, P6R, P6V, C6R.....	R,W	4203 ER8	—	—	—	1	1	1
	K1T, K2T, T2T, X2T, L2T, M2T, H2H, H2T, D2T, P2T, P2H, P6T, P6H, C5T, C6T.....	R,W	4203 ET8	1	—	1	1	1	1
	T2X, L1L, D2X, L1X, L2X, X2X, M2S, H2W, H1L, H1X, H2X, H2S, H1A, P2S, P2X, P2W, P3X, P6X, P6W, C5X, C6W, C6X.....	R,W	4203 EX9	1	—	1	1	1	1
	P3Y.....	W	4203 EY8	1	—	—	—	—	—
	E1B, E2B, L1B, L2B, M1D, M4D, H6D, P3D.....	P	4220 EB7	1	1	1	1	1	1
	L1G, M1G, M4G, H6G, P3G.....	P	4220 EF8	1	1	1	1	1	—
	E1L, E2L, L1L, L2X, L2W, M1L, M1X, M4W, M4X, M4S, M8X, H6W, H6S, H6N, P3X, P4N, P4W, P6X, P8X, PPX.....	P	4220 EX9	1	1	1	1	1	1
	E2R, L2R, M1R, M4R, H6R.....	P	4220 ER8	1	1	1	1	—	1
	K1T, K2T, L2T, M4T, H6T, P4T.....	P	4220 ET8	1	1	1	1	1	—
	Nut, Trim Pad Uptr. Att.....	V,B,L,R,W, P,D	120 361	AR	AR	AR	AR	AR	AR
	Screw, Uptr. Pad to Cowl Top Att.....	P,D	6024 953	4	4	4	4	4	4
	LOWER GLOVE BOX DOOR w/AIR COND. w/HEATER								
	L1B, L2B, X2B, M2B, H1B, H2B, H2C, D2D, P2B, P2D, P3D, P6D, P6C, F2Q.....	R,W	4250-1 EB7	1	—	1	1	—	1
	X1G, H1G, H2G, H2F, P2F, P2G, P3G, P6F, P6G.....	R,W	4250-1 EF8	1	—	1	1	—	1
	H2R, P6V, P6R.....	R,W	4250-1 ER8	—	—	—	1	—	1
	K1T, K2T, T2T, X1T, X2T, L1T, L2T, M2T, H1T, H2T, D2T, H2H, P2T, P2H, P3T, P6T, P6H.....	R,W	4250-1 ET8	1	—	1	1	—	1
	H1Y, P3Y.....	W	4250-1 EY8	1	—	—	—	—	—
	D2X, T2X, X2X, L1X, L2X, M2X, H2S, H2W, H1A, H1X, P2S, P2X, P3X, P2W, P6S, P6X, P6W.....	R,W	4250-1 DX9	1	—	1	1	—	1
	LOWER LEFT STD.								
	L1B, L2B, X2B, M2B, H1B, H2B, H2C, D2D, P2B, P2D, P3D, P6D, P6C, F2Q.....	R,W	4252 EB7	1	—	1	1	1	—
	M6F, M6G, H1G, H2G, H2F, P2F, P2G, P3G, P6F, P6G, X1G, D2G.....	R,W	4252 EF8	1	—	1	1	—	1
	H2R, P6V, P6R.....	R,W	4262 ER8	1	—	1	1	—	1
	K1T, K2T, T2T, X1T, X2T, L1T, L2T, M2T, H1T, H2T, D2T, M6T, M6H, H2H, P2T, P3T, P2H, P6T, P6H.....	R,W	4252 ET8	1	—	1	1	—	1
	LOWER LEFT								
	H1Y, P3Y.....	W	4252 EY8	1	—	—	—	—	—
	L1L, D2X, T2X, X2X, L1X, L2X, M2X, H2S, H2W, H1A, H1X, H2X, P2S, P2X, P3X, P2W, P6S, P6X, P6W.....	R,W	4252 DX9	1	—	1	1	—	1

NOTE: A letter code in the carline column indicates the carline for which the part is released as follows:

CARLINES Indicate:	B - Barracuda	V - Valiant L - Dart	R - Belvedere W - Coronet	P - Plymouth D - Dodge	C - Chrysler Y - Imperial
--------------------	---------------	-------------------------	------------------------------	---------------------------	------------------------------

AR Indicates use as required.

★ Indicates change or addition.

Right and left part numbers are on same line, first number is right, second number is left.

Printed in U.S.A.

January 1971

CODE	PART NAME	CAR LINE	PART NUMBER	Sed.	4 D.H.T.	Sta. Wgn.	2 D.H.T.	Sp. 2 D.H.T.	Conv.
23-84-3	PAD, Instrument Panel Trim Cont'd. GLOVE BOX DOOR RALLYE INST. PANEL LOWER								
	P6C, P6D, C5D, C6D	W	4284-5 EB7	—	—	—	1	1	1
	P6F, P6G, C5G, CRG, C6G	W	4284-5 EF8	—	—	—	1	1	1
	P6R, P6V, C6R	W	4284-5 ER8	—	—	—	1	1	1
	P6T, C5T, CRT, C6T	W	4284-5 ET8	—	—	—	1	1	1
	P6X, P6W, C5X, C6X, CRX, C6W	W	4284-5 DX9	—	—	—	1	1	1
	LOWER CTR.								
	C5D, C6D, P6C, P6D	W	4254 EB7	—	—	—	1	1	1
	C5G, C6G, P6F, P6G	W	4254 EF8	—	—	—	1	1	1
	P6R, P6V, C6R	W	4254 ER8	—	—	—	1	1	1
	C5T, C6T, P6T	W	4254 ET8	—	—	—	1	1	1
	C5X, C6X, C6W, P6X, P6W	W	4254 DX9	—	—	—	1	1	1
	LOWER CTR. w/A/COND. AND HEATER								
	P6C, P6D, C5D, C6D	W	4283 EB7	—	—	—	1	1	1
	P6F, P6G, C5G, C6G	W	4283 EF8	—	—	—	1	1	1
	P6R, P6V, C6R	W	4283 ER8	—	—	—	1	1	1
	P6X, P6W, C6X, C6W, C5X	W	4283 DX9	—	—	—	1	1	1
	UPPER w/A/COND.								
	L1B, L2B, M6B, H1B, H4D, H7B	D	4255 EB7	1	1	1	1	—	1
	L1G, L2G, M6G, H1G, H4G, H6G, H7G	D	4255 EF8	1	1	1	1	—	1
	L2T, M6T, H4T, H4H, H8T	D	4255 ET8	1	1	1	1	—	—
	L1Y, H1L, H1Y, H4Y, H6Y	D	4255 EY8	1	1	—	1	—	—
	L1X, L2X, L2W, K1A, K2A, M6X, M6W, H1X, H4X, H6X, H6W, H7X, H8X	D	4255 EX9	1	1	1	1	—	1
	UPPER w/o A/COND.								
	L1B, L2B, M6B, H1B, H4D, H7B	D	4259 EB7	1	1	1	1	—	1
	L1G, L2G, M6G, H1G, H4G, H6G, H7G	D	4259 EF8	1	1	1	1	—	1
	L2T, M6T, H4T, H4H, H8T	D	4259 ET8	1	1	1	1	—	—
	L1Y, H1L, H1Y, H4Y, H6Y	D	4259 EY8	1	1	—	1	—	—
	L1X, L2X, L2W, K1A, K2A, M6X, M6W, H1X, H4X, H6X, H6W, H7X, H8X	D	4259 EX9	1	1	—	1	—	1
	INST. PNL. CLUSTER								
	UPPER R.H.D.	D	4260 DX9	1	1	1	1	—	1
	UPPER w/o A/COND.	D,P	4262 EX9	1	1	1	1	—	1
	L1B, L2B, M1B, M2B, H1D, H4D, P6D, S7B, X2B Canada	D	4259 EB7	1	1	1	1	—	1
	M1G, H1G, H4G, P6G, S7G Canada	D	4259 EF8	1	1	1	1	—	—
	L2R, M2R, H1R, H4R, P6R, X2R Canada	D	4259 ER8	1	1	1	1	—	1
	M2T, H4T, P6T, X2T Canada	D	4259 ET8	1	1	1	1	—	—
	L1L, L2L, H1L, K2A, M1L, H4S, P6S, M2W, H4W, P6W, M2X, H1X, H4X, H8X, P6X, S7X Canada	D	4259 EX9	1	1	1	1	—	1
	UPPER w/A/COND.								
	L1B, L2B, X2B, M1B, M2B, H1D, H4D, P6D, S7B Canada	D	4255 EB7	1	1	1	1	—	1
	M1G, H1G, H4G, P6G, S7G Canada	D	4255 EF8	1	1	1	1	—	—
	L2R, X2R, M2R, H1R, H4R, P6R Canada	D	4255 ER8	1	1	1	1	—	1
	X2T, M2T, H4T, P6T Canada	D	4255 ET8	1	1	1	1	—	—
	L1L, L2L, K2A, M1L, H1L, H4S, P6S, M2W, H4W, P6W, M2X, H1X, H4X, H8X, P6X, S7X Canada	D	4255 EX9	1	1	1	1	—	1
	UPPER								

NOTE: A letter code in the carline column indicates the carline for which the part is released as follows:

CARLINES Indicate:	V - Valiant	R - Belvedere	P - Plymouth	C - Chrysler
B - Barracuda	L - Dart	W - Coronet	D - Dodge	Y - Imperial

AR Indicates use as required.
★ Indicates change or addition.

Right and left part numbers are on same line,
first number is right, second number is left.

Printed in U.S.A.
January 1971

1969 PASSENGER CAR PARTS CATALOG

INTERIOR TRIM

CODE	PART NAME	CAR LINE	PART NUMBER	Sed.	4 D.H.T.	Sta. Wgn.	2 D.H.T.	Sp. 2 D.H.T.	Conv.
23-84-3	PAD, Instrument Panel Trim Cont'd.								
	E1D, E2D, L3D, M1D, M3D, M4D, M6D, D1D, MBD, MDD, MSD, MSB, MRB, H1D, H3D, H6D, H7D.....	C,Y	4210 EB9	1	1	1	1	—	1
	E1G, E4G, E8G, L3G, L6G, M1G, M3G, M4G, M6G, D1G, MRG, H1G, H3G, MDG, MSG.....	C,Y	4210 EF8	1	1	1	1	—	1
	E2T, E4T, E6T, E8T, L3T, M6T, H6T, H8T.....	C	4210 ET8	1	1	1	1	—	1
	E1Q, L3Q, M1Q, M3Q, D1Q, MBQ, MDQ.....	C,Y	4210 EQ8	1	1	—	1	—	—
	M1M, D1M, M6M, MDM.....	Y	4210 EM9	1	1	—	1	—	—
	MSR.....	Y	4210 ER8	—	1	—	—	—	—
	E4E, L7E, M4E, M7E.....	C	4210 EE9	1	1	1	—	—	—
	M1K, M3K, MBK, MRT, D1K, MDK, MST.....	Y	4210 ET9	1	1	—	1	—	—
	E1L, E2Y, E7L, L3Y, L5L, M3Y, M5L, MSY, H1Y, H3Y, H7L.....	C,Y	4210 EY8	1	1	1	1	—	1
	E1X, E2X, E4X, E6X, E6W, E8X, L3X, L6X, L6W, L8X, M1X, M3X, M4X, M6X, M6W, D1X, MBX, MRX, MRW, MDX, MSN, MSW, MSX, H1X, H3X, H6X, H6W, H8X.....	C,Y	4210 EX9	1	1	1	1	—	1
	W/A/COND. FINISH PLATE W/PAD								
	M4D, M6D.....	C	4112 EB9	—	1	—	1	—	1
	M4E.....	C	4112 EE9	—	1	—	1	—	—
	M3G, M6G.....	C	4112 EF8	—	1	—	1	—	1
	W/A/COND. FINISH PLATE W/PAD								
	M3Y, M5L.....	C	4112 EY8	—	1	—	1	—	—
	M6T.....	C	4112 ET8	—	1	—	1	—	1
	M3X, M4X, M6W, M6X.....	C	4112 EX9	—	1	—	1	—	1
	W/O A/COND.								
	M4D, M6D.....	C	4113 EB9	—	1	—	1	—	1
	M4E.....	C	4113 EE9	—	1	—	1	—	—
	M3G, M6G.....	C	4113 EF8	—	1	—	1	—	1
	M3Y, M5L.....	C	4113 EY8	—	1	—	1	—	—
	M6T.....	C	4113 ET8	—	1	—	1	—	1
	M3X, M4X, M6W, M6X.....	C	4113 EX9	—	1	—	1	—	1
	Screw, Inst. Panel Trim Pad Ret. Rt. to Lt. Att.....	D	9414 711	5	5	5	5	—	5
	Stud and Retainer, Inst. Panel Pad Up.....	P,D	6000 700	2	2	2	2	2	2
	Screw, Inst. Panel Pad Lwr. Att.....	W	6024 895	—	—	—	1	1	1
	Screw, Inst. Panel Lwr. Ctr. to Inst. Panel.....	W	6024 895	—	—	—	1	1	1
	Screw, Inst. Panel to Up. Trim Ret. Clip Att.....	P	274 411	1	1	1	1	—	1
	Screw, Inst. Panel Pad Up. End Att.....	V,B,L	9417 855	2	2	2	2	2	2
	Screw, Pad to Inst. Panel Up.....	C,Y	6024 654	3	3	3	3	3	3
	Screw, Up. Pad to Lwr. Pnl.....	P,D	9416 409	2	2	2	2	2	2
23-84-9	COVER, Door Belt Inner Mirror Control Trim Pad								
	CODES								
	CRD, C6D.....	W	3411 EB7	—	—	—	—	1	—
	CRG, C6G.....	W	3411 EF8	—	—	—	—	1	—
	C6R.....	W	3411 ER6	—	—	—	—	1	—
	CRT, C6T.....	W	3411 ET4	—	—	—	—	1	—
	C6W.....	W	3411 EW1	—	—	—	—	1	—
	C5X, CRX, C6X.....	W	3411 DX9	—	—	—	—	1	—
23-86-1	PAD, Rear Window Outside Trim								
	Lower.....	Y	2879 340	—	1	—	—	—	—
	Upper.....	Y	2879 344	—	—	—	1	—	—
	Lower.....	Y	2879 345	—	—	—	1	—	—

NOTE: A letter code in the carline column indicates the carline for which the part is released as follows:

CARLINES Indicate:	B - Barracuda	V - Valiant L - Dart	R - Belvedere W - Coronet	P - Plymouth D - Dodge	C - Chrysler Y - Imperial
--------------------	---------------	-------------------------	------------------------------	---------------------------	------------------------------

AR Indicates use as required.

★ Indicates change or addition.

Right and left part numbers are on same line,
first number is right, second number is left.

Printed in U.S.A.
January 1971

CODE	PART NAME	CAR LINE	PART NUMBER	Sed.	4 D.H.T.	Sta. Wgn.	2 D.H.T.	Sp. 2 D.H.T.	Conv.
23-86-2	COVER, Roof Outside								
	Tan	V	8796 ET5	1	—	—	—	—	—
		B	4925 ET5	—	—	—	1	—	—
	Green	V	8796 DF8	1	—	—	—	—	—
		B	4925 EF8	—	—	—	1	—	—
	White	V	8796 DW4	1	—	—	—	—	—
		B	4925 EW4	—	—	—	1	—	—
	Black	V	8796 DX9	1	—	—	—	—	—
		B	4925 DX9	—	—	—	1	—	—
	Gold and Green Floral Mod Top	B	4925 EYF	—	—	—	1	—	—
	Tan	B	4924 ET5	—	—	—	—	1	—
	White	B	4924 DW4	—	—	—	—	1	—
	Black	B	4924 EX9	—	—	—	—	1	—
	Green	B	4924 EF8	—	—	—	—	1	—
	Gold and Green	B	4924 EYF	—	—	—	—	1	—
	Tan	L	8754 ET5	1	—	—	—	—	—
	Green	L	8754 DF8	1	—	—	—	—	—
	White	L	8754 DW4	1	—	—	—	—	—
	Black	L	8754 DX9	1	—	—	—	—	—
	Tan	L	7334 ET5	—	—	—	1	—	—
	Green	L	7334 DF8	—	—	—	1	—	—
	White	L	7334 DW4	—	—	—	1	—	—
	Black	L	7334 DX9	—	—	—	1	—	—
	Tan	W	6108 ET5	—	—	—	—	1	—
	Green	W	6108 DF8	—	—	—	—	1	—
	White	W	6108 DW4	—	—	—	—	1	—
	Black	W	6108 DX9	—	—	—	—	1	—
	2 DOOR								
	Tan	R,W	6109 DT5	1	—	—	1	—	—
	Green	R,W	6109 DF8	1	—	—	1	—	—
	White	R,W	6109 DW4	1	—	—	1	—	—
	Black	R,W	6109 DX9	1	—	—	1	—	—
	Flowered Mod Top	R	6109 EBQ	—	—	—	1	—	—
	Blue and Turq.	R	6109 EBQ	—	—	—	1	—	—
	4 DOOR								
	Tan	R,W	6110 ET5	1	—	—	—	—	—
	Green	R,W	6110 DF8	1	—	—	—	—	—
	White	R,W	6110 DW4	1	—	—	—	—	—
	Black	R,W	6110 DX9	1	—	—	—	—	—
	Tan	P,D	7178 ET5	1	—	—	—	—	—
Green	P,D	7178 EF8	1	—	—	—	—	—	
White	P,D	7178 EW4	1	—	—	—	—	—	
Black	P,D	7178 EX9	1	—	—	—	—	—	
Gold	P,D	7178 EYY	1	—	—	—	—	—	
2 DOOR									
Black	P,D	7192 EX9	1	1	—	—	1	—	
White	P,D	7192 EW4	1	1	—	—	1	—	
Green	P,D	7192 EF8	1	1	—	—	1	—	
Gold	P,D	7192 EYY	1	1	—	—	1	—	
Tan	P,D	7192 ET5	1	1	—	—	1	—	
Black Gator Grain	P,D	7192 EXX	1	1	—	—	1	—	
Black	P,D	7190 EX9	—	—	—	—	1	—	
White	P,D	7190 EW4	—	—	—	—	1	—	
Green	P,D	7190 EF8	—	—	—	—	1	—	
Black Gator Grain	P,D	7190 EXX	—	—	—	—	1	—	
Tan	P,D	7190 ET5	—	—	—	—	1	—	
Gold	P,D	7190 EYY	—	—	—	—	1	—	
4 DOOR									
Black	C,Y	7188 EX9	1	—	—	—	—	—	

NOTE: A letter code in the carline column indicates the carline for which the part is released as follows:

CARLINES Indicate:	B - Barracuda	V - Valiant L - Dart	R - Belvedere W - Coronet	P - Plymouth D - Dodge	C - Chrysler Y - Imperial
--------------------	---------------	-------------------------	------------------------------	---------------------------	------------------------------

AR Indicates use as required.
★ Indicates change or addition.

Right and left part numbers are on same line,
first number is right, second number is left.

Printed in U.S.A.
January 1971

1969 PASSENGER CAR PARTS CATALOG

INTERIOR TRIM

CODE	PART NAME	CAR LINE	PART NUMBER	Sed.	4 D.H.T.	Stra. Wgn.	2 D.H.T.	Sp. 2 D.H.T.	Conv.
23-86-2	COVER, Roof Outside Cont'd.								
	White	C,Y	7188 EW4	1					
	Green	C,Y	7188 EF8	1					
	Champagne	C,Y	7188 EL1	1					
	Gold	C,Y	7188 EYY	1					
	Gold	C	7191 EYY				1		
	Black	C,Y Crown	7191 EX9				1		
	White	C,Y Crown	7191 EW4				1		
	Green	C,Y Crown	7191 EF8				1		
	Champagne	C,Y Crown	7191 EL1				1		
	Green	C,Y Crown	7185 EF8		1				
	Champagne	C,Y Crown	7185 ELJ		1				
	White	C,Y Crown	7185 EW4		1				
	Black	C,Y Crown	7185 EX9		1				
	Gold	C,Y Crown	7185 EYY		1				
	Blue	Y	7186 EB9		1				
	Green	Y	7186 EF9		1				
	Champagne	Y	7186 EL1		1				
	Tan	Y	7186 ET9		1				
	White	Y	7186 EW1		1				
	Black	Y	7186 EX9		1				
	Blue	Y	7187 EB9				1		
	Green	Y	7187 EF9				1		
	Champagne	Y	7187 EL1				1		
	Tan	Y	7187 ET9				1		
	White	Y	7187 EW1				1		
	Black	Y	7187 EX9				1		

23-86-3 HEADLINING and LISTINGS

CODES

L1B, L2B, D1B, D2B, D4B, H1B,

H2B, H4B, H6C

H1G, H6F

L1R, D2R, D4R, H2R, H4R, H6V

L2T

L1X, L2X, D1X, D2X, D4X, H1X, H2X

H4X, H6X

H2Y, H4Y, H6E

H6W

H4B, H4C, H6B, H6C, D6B

H4F, H6F, H6G, D6G

H4V, H6R, H6V, D6R

D6T

H4W, H4X, H6W, H6X, D6X, D6P,

D6U

H4B, H6B, D6B, H4C, H6C

H6G, D6G, D6J, F6J, H4F, H6F

H6R, D6R, H4V, H6V

D6T

D6X, H6X, D6P, F6P, D6U, H4W, H6W

L1B, L2B, H1B, H2B, H6B

H1G, H2G

H1L

L1R

L2T, H2T

L1X, L2X, H1X, H2X, H6X

L2B, D2B, H2B, P6B

H2G, P6G

H2R, P6R

D2T, H2T

V

V

V

V

V

V

V

B

B

B

B

B

B

B

B

B

B

L

L

L

L

L

L

L

L

L

L

7100 EB2

7100 EF7

7100 ER6

7100 ET1

7100 EX9

7100 EY1

7100 EW1

7106 EB6

7106 EF7

7106 ER6

7106 ET1

7106 EX9

7107 EB6

7107 EF7

7107 ER6

7107 ET1

7107 EX9

7101 EB2

7101 EF2

7101 EL1

7101 ER6

7101 ET1

7101 EA3

7115 EB8

7115 EF7

7115 ER6

7115 ET1

NOTE: A letter code in the carline column indicates the carline for which the part is released as follows:

CARLINES Indicate:

B - Barracuda

V - Valiant
L - Dart

R - Belvedere
W - Coronet

P - Plymouth
D - Dodge

C - Chrysler
Y - Imperial

AR Indicates use as required.

★ Indicates change or addition.

Right and left part numbers are on same line,
first number is right, second number is left.

Printed in U.S.A.

January 1971

CODE	PART NAME	CAR LINE	PART NUMBER	Sed.	4 D.H.T.	Sta. Wgn.	2 D.H.T.	Sp. 2 D.H.T.	Conv.
23-86-3	HEADLINING and LISTINGS Cont'd.								
	H2C, H2W, P6C, P6E, P6F, P6W	L	7115 EW1	—	—	—	1	—	—
	L2X, D2X, H2X, P6X	L	7115 EX9	—	—	—	1	—	—
	P6Y	L	7115 EY1	—	—	—	1	—	—
	PANEL								
	No. 1	R,W	1002 EWW	—	—	1	—	—	—
	No. 2	R,W	1073 CWW	—	—	1	—	—	—
	No. 3	R,W	1074 CWW	—	—	1	—	—	—
	No. 4	R,W	1075 CWW	—	—	1	—	—	—
	Roof Rr. Side Quarter	R,W	1088-9 DWW	—	—	1	—	—	—
	2 DOOR								
	M2B, M6B, M6C, H1B, H2B, P6D, H2C, P6C, F2Q	R,W	7147 EB8	1	—	—	1	—	—
	H1G, H2G, M6G, P6G, H2F, P6F, M6F	R,W	7147 EF7	1	—	—	1	—	—
	K1T, K2T, M2T, M6T, H2T, P6T, H2H, P6H, M6H	R,W	7147 ET1	1	—	—	1	—	—
	2 DOOR								
	M2X, H1X, H2S, H2W, H2X, P6X, P6S,	R,W	7147 EX9	1	—	—	1	—	—
	P6W, M6X, M6S, M6W	R	7147 ER6	1	—	—	1	—	—
	P6R, P6V								
	4 DOOR								
	L1B, L2B, H1B, H2B, P3D, P6D	R,W	7131 EB8	1	—	—	—	—	—
	H1G, P3G, P6G, P6F	R,W	7131 EF7	1	—	—	—	—	—
	L1L	W	7131 EL1	1	—	—	—	—	—
	K1T, K2T, T2T, X2T, L1T, H2H, H1T, H2T, P6H	R,W	7131 ET1	1	—	—	—	—	—
	L2X, T2X, X2X, D2X, H1X, H2X, P3X, P6X, P6S	R,W	7131 EX9	1	—	—	—	—	—
	H1Y, P3Y	R,W	7131 EY1	1	—	—	—	—	—
	P3B, P6D, P6C	W	7131 EB8	1	—	—	—	—	—
	P3G, P6G	W	7131 EF7	1	—	—	—	—	—
	N.Y. Taxi type Headlining								
	FINISH PANEL, T2X								
	No. 1	W	1011 EWW	1	—	—	—	—	—
	No. 2	W	1012 EWW	1	—	—	—	—	—
	No. 3	W	1013 EWW	1	—	—	—	—	—
	RR. QTR. UPR.	W	3596 EX9	1	—	—	—	—	—
	EXTENSION	W	4318-9 EX9	1	—	—	—	—	—
	CLIP, Foundation Att.		6002851	—	—	—	—	2	—
	C6D	W	7130 EB8	—	—	—	—	1	—
	C6G	W	7130 EF7	—	—	—	—	1	—
	C6R	W	7130 ER6	—	—	—	—	1	—
	C6T	W	7130 ET1	—	—	—	—	1	—
	C6W	W	7130 EW1	—	—	—	—	1	—
	C5X, C6X	W	7130 EX9	—	—	—	—	1	—
	Blue	W-500	3412 271	—	—	—	—	1	—
	Green	W-500	3412 272	—	—	—	—	1	—
	Red	W-500	3412 273	—	—	—	—	1	—
	Tan	W-500	3412 274	—	—	—	—	1	—
	White	W-500	3412 275	—	—	—	—	1	—
	Black	W-500	3412 276	—	—	—	—	1	—
	2 DOOR								
	E1B, L2B	P,D	7133 EB2	1	—	—	—	—	—
	M1D, M4D, P3D, L1B, L2B, H4D, H6D, H7B	P,D	7133 EB8	—	1	—	—	1	—
	L1G, L2G, M1G, M4G, H4G, H6G, H7G, P3G	P,D	7133 EF7	—	1	—	—	1	—
	M4R	P	7133 ER6	—	1	—	—	1	—
	M4S, H6S	P	7133 EA2	—	1	—	—	1	—
	K1T, K2T, L2T, M4T, P4T, H4T	P,D	7133 ET1	1	1	—	—	—	—
	L2W, H6W, P4W	P,D	7133 EW1	—	1	—	—	—	1
	L1X, L2X, M1X, M4X, M8X, H4X, H6X,								
	H7X, P3X, P4X, P6X, P8X, PPX	P,D	7133 EX9	1	1	—	—	1	—
	L1Y, H4Y, H6Y	D	7133 EY1	—	1	—	—	—	—
	E1L	P	7133 EL1	1	—	—	—	—	—

NOTE: A letter code in the carline column indicates the carline for which the part is released as follows:

CARLINES Indicate:	V - Valiant	R - Belvedere	P - Plymouth	C - Chrysler
B - Barracuda	L - Dart	W - Coronet	D - Dodge	Y - Imperial

AR Indicates use as required.
 ★ Indicates change or addition.

Right and left part numbers are on same line,
 first number is right, second number is left.

Printed in U.S.A.
 January 1971

CODE	PART NAME	CAR LINE	PART NUMBER	Sed.	4 D.H.T.	Sta. Wgn.	2 D.H.T.	Sp. 2 D.H.T.	Conv.
23-86-3	HEADLINING and LISTINGS Cont'd.								
	4 DOOR								
	E1B, L1B, L2B, M1D, M4D, H1B, H7B	P,D	7134 EB2	1	—	—	—	—	—
	L1X, L2X, K1A, K2A, M4S, H1X, H7X	P,D	7134 EA2	1	—	—	—	—	—
	L1G, L2G, M1G, M4G, H1G, H7G	P,D	7134 EF2	1	—	—	—	—	—
	E1L, L1L, M1L, H1L	P,D	7134 EL1	1	—	—	—	—	—
	L2R, M1R	P	7134 ER6	1	—	—	—	—	—
	K1T, K2T, L2T, M4T	P,D	7171 ET1	1	—	—	—	—	—
	L2X, M1X, M4X, M8X	P	7171 EX9	1	—	—	—	—	—
	L1Y, H1Y	D	7134 EY1	1	—	—	—	—	—
	Rr. Qtr. Upr. 4 DOOR								
	E1B, L1B, L2B, M1D, M4D, H1B, H7B	P,D	3568-9 EB2	1	—	—	—	—	—
	L1G, L2G, M1G, M4G, H1G, H7G	P,D	3568-9 EF2	1	—	—	—	—	—
	E1L, L1L, M1L, H1L	P,D	3568-9 EL1	1	—	—	—	—	—
	M4S, L1X, L2X, K1A, K2A, H1X, H7X	P,D	3568-9 EA2	1	—	—	—	—	—
	K1T, K2T, L1T, L2T, M4T	P,D	3568-9 ET1	1	—	—	—	—	—
	L1Y, H1Y	D	3568-9 EY1	1	—	—	—	—	—
	L2R, M1R	P	3568-9 ER6	1	—	—	—	—	—
	L2X, M1X, M4X, M8X	P	3568-9 EX9	1	—	—	—	—	—
	M1D, M4D, H4D, H7D, P3D	P,D	3554-5 EB8	—	1	—	1	1	—
	L1G, L2G, M1G, M4G, H4G, H6G, H7G, PeG	P,D	3554-5 EF7	—	1	—	—	1	—
	L2W, H6W, P4W	P,D	3554-5 EW1	—	1	—	—	1	—
	L1Y, H4Y, H6Y	D	3554-5 EY1	—	1	—	—	—	—
	L1X, L2X, M1X, M8X, H4X, H6X, H7X, P3X, P4X, PPX, P8X	P,D	3554-5 EX9	1	1	—	1	1	—
	M4R	P	3554-5 ER6	—	1	—	—	—	—
	M4S	P	3554-5 EA2	—	1	—	—	1	—
	E1B, L2B	P	3554-5 EB2	1	1	—	—	—	—
	E1L	P	3554-5 EL1	1	1	—	—	—	—
	L1B, L2B	D	3554-5 EB8	—	1	—	—	1	—
	K1T, K2T, L2T, M4T, H4T, P4T	P,D	3554-5 ET1	1	1	—	—	—	—
	PANEL								
	M1D, M4D, H6D, P3D, L1B, L2B, M6B, H4D	P,D	7120 EB8	—	—	—	1	—	—
	L1G, L2G, M1G, M4G, M6G, H4G, H6G, P3G	P,D	7120 EF7	—	—	—	1	—	—
	L2T, M4T, M6T, H4T, H6T, P4T	P,D	7120 ET1	—	—	—	1	—	—
	L2W, M4W, M6W, H6W, P4W	P,D	7120 EW1	—	—	—	1	—	—
	L1X, L2X, M1X, M4X, M6X, H4X, H6X, P3X, P6X, PPX	P,D	7120 EX9	—	—	—	1	—	—
	E2B, L2B, E4D, M4D, H4D Up To Build Date 4-24-69								
	No. 1	P,D,C	1076 EB7	—	—	1	—	—	—
	No. 2	P,D,C	1077 EB7	—	—	1	—	—	—
	No. 3 and 4	P,D,C	1079 EB7	—	—	2	—	—	—
	No. 5	P,D,C	1057 EB7	—	—	1	—	—	—
	E2B, L2B, E4D, M4D, H4D, After Build Date 4/24/69								
	No. 1	P,D	1047 EB7	—	—	1	—	—	—
	No. 2	P,D	1048 EB7	—	—	1	—	—	—
	No. 3	P,D	1049 EB7	—	—	1	—	—	—
	No. 4	P,D	1050 EB7	—	—	1	—	—	—
	No. 5	P,D	1051 EB7	—	—	1	—	—	—
	M4G, L2G, H4G, E4G, E8G Up To Build Date 4-24-69								
	No. 1	P,D,C	1076 EF7	—	—	1	—	—	—
	No. 2	P,D,C	1077 EF7	—	—	1	—	—	—
	No. 3 and 4	P,D,C	1079 EF7	—	—	2	—	—	—
	No. 5	P,D,C	1057 EF7	—	—	2	—	—	—
	M4G, H4G, L2G, After Build Date 4-24-69								
	No. 1	P,D	1044 FF7	—	—	1	—	—	—
	No. 2	P,D	1045 FF7	—	—	1	—	—	—

NOTE: A letter code in the carline column indicates the carline for which the part is released as follows:

CARLINES Indicate:	B - Barracuda	V - Valiant I - Dart	R - Belvedere W - Coronet	P - Plymouth D - Dodge	C - Chrysler Y - Imperial
--------------------	---------------	-------------------------	------------------------------	---------------------------	------------------------------

AR Indicates use as required.
★ Indicates change or addition.

Right and left part numbers are on same line,
first number is right, second number is left.

Printed in U.S.A.
January 1971

CODE	PART NAME	CAR LINE	PART NUMBER	Sed.	4 D.H.T.	Sta. Wgn.	2 D.H.T.	Sp. 2 D.H.T.	Conv.
23-86-3	HEADLINING and LISTINGS Cont'd.								
	No. 3	P,D	1049 EF7	—	—	1	—	—	—
	No. 4	P,D	1050 EF7	—	—	1	—	—	—
	No. 5	P,D	1051 EF7	—	—	1	—	—	—
L2T, M4T, H4T, H4H, E4T	Up To Build Date 4-24-69								
	No. 1	P,D,C	1076 ET4	—	—	1	—	—	—
	No. 2	P,D,C	1077 ET4	—	—	1	—	—	—
	No. 3 and 4	P,D,C	1079 ET4	—	—	2	—	—	—
	No. 5	P,D,C	1057 ET4	—	—	1	—	—	—
L2T, M2T, M4T, H4T,	After Build Date 4-24-69								
	No. 1	P,D	1044 FT4	—	—	1	—	—	—
	No. 2	P,D	1045 FT4	—	—	1	—	—	—
	No. 3	P,D	1049 ET4	—	—	1	—	—	—
	No. 4	P,D	1050 ET4	—	—	1	—	—	—
	No. 5	P,D	1051 ET4	—	—	1	—	—	—
E2R, L2R, M4R	Up To Build Date 4-24-69								
	No. 1	P	1076 ER6	—	—	1	—	—	—
	No. 2	P	1077 ER6	—	—	1	—	—	—
	No. 3 and 4	P	1079 ER6	—	—	2	—	—	—
	No. 5	P	1057 ER6	—	—	1	—	—	—
E2R, L2R, M4R, M2R, H4R,	After Build Date 4-24-69								
	No. 1	P,D	1047 ER6	—	—	1	—	—	—
	No. 2	P,D	1048 ER6	—	—	1	—	—	—
	No. 3	P,D	1049 ER6	—	—	1	—	—	—
	No. 4	P,D	1050 ER6	—	—	1	—	—	—
	No. 5	P,D	1051 ER6	—	—	1	—	—	—
	No. 1	C	1076 EE9	—	—	1	—	—	—
	No. 2	C	1077 EE9	—	—	1	—	—	—
	No. 3 and 4	C	1079 EE9	—	—	2	—	—	—
	No. 5	C	1057 EE9	—	—	1	—	—	—
E4E,	After Build Date 4-24-69								
	No. 1	C	1047 EE9	—	—	1	—	—	—
	No. 2	C	1048 EE9	—	—	1	—	—	—
	No. 3	C	1049 EE9	—	—	1	—	—	—
	No. 4	C	1050 EE9	—	—	1	—	—	—
	No. 5	C	1051 EE9	—	—	1	—	—	—
	W/AIR COND.								
E2B, E2L, E2R, E4D, E4G, E4T, E4X, E7L, E8G, E8T	E8X, L2X, M4S, M4D, M4G, M4R, M4T, M4X, M8X, H4G,								
H4T, H4H, H4X, H8T, H8X	Up To Build Date 4-24-69								
	No. 1	P,D,C	1076 EW2	—	—	1	—	—	—
	No. 2	P,D,C	1077 EW2	—	—	1	—	—	—
	No. 3 and 4	P,D,C	1079 EW2	—	—	2	—	—	—
	No. 5	P,D,C	1057 EW2	—	—	1	—	—	—
E2B, E2L, E2R, L2X, M4S, M4D, M4G	M4R, M4T, M4X, M8X, H4G, H4T, H4X, H8T, H8X,								
	After Build Date 4-24-69								
	No. 1	P,D	1044 FW2	—	—	1	—	—	—
	No. 2	P,D	1045 FW2	—	—	1	—	—	—
	No. 3	P,D	1049 EW2	—	—	1	—	—	—
	No. 4	P,D	1050 EW2	—	—	1	—	—	—
	No. 5	P,D	1051 EW2	—	—	1	—	—	—
	4 DOOR								
M4S, H6S	L1Y, H4Y, H6Y								
		P	7120 EA2	—	—	—	1	—	—
		P	7120 EY1	—	—	—	1	—	—

NOTE: A letter code in the carline column indicates the carline for which the part is released as follows:

CARLINES Indicate:	B - Barracuda	V - Valiant L - Dart	R - Belvedere W - Coronet	P - Plymouth D - Dodge	C - Chrysler Y - Imperial
--------------------	---------------	-------------------------	------------------------------	---------------------------	------------------------------

AR Indicates use as required.
★ Indicates change or addition.

Right and left part numbers are on same line,
first number is right, second number is left.

Printed in U.S.A.
January 1971

1969 PASSENGER CAR PARTS CATALOG

INTERIOR TRIM

CODE	PART NAME	CAR LINE	PART NUMBER	Sed.	4 D.H.T.	Sta. Wgn.	2 D.H.T.	Sp. 2 D.H.T.	Conv.	
23-86-3	HEADLINING and LISTINGS Cont'd.									
	M4R, H6R	P	7120 ER6	—	—	—	1	—	—	
	L1B, L2B	P	7120 EB2	—	—	—	1	—	—	
	L1G	P	7120 EF2	—	—	—	1	—	—	
	L1L	P	7120 EL1	—	—	—	1	—	—	
	L2R	P	7120 ER6	—	—	—	1	—	—	
	L2T	P	7120 ET1	—	—	—	1	—	—	
	L2X	P	7120 EX9	—	—	—	1	—	—	
	L1B, X2B, M1B, M2B, H1D, H4D, S7B, X2B	P,D	7134 EB2	1	—	—	—	—	—	
	L1Y	D	7134 EY1	1	—	—	—	—	—	
	M1G, H1G, H4G, S7G	D	7134 EF2	1	—	—	—	—	—	
	K2A, H4S, S7X	D	7134 EA2	1	—	—	—	—	—	
	L1L, M1L, H1L	D	7134 EL1	1	—	—	—	—	—	
	M2R, H1R, X2R	D	7134 ER6	1	—	—	—	—	—	
	M2T, H4T, X2T	D	7134 ET1	1	—	—	—	—	—	
	M2X, H1X, H4X, H8X	D	7134 EX9	1	—	—	—	—	—	
	H1D, H4D, S7B	D	7133 EB8	—	1	—	—	—	—	
	H1G, H4G, S7G	D	7133 EF7	—	1	—	—	—	—	
	H4R	D	7133 ER6	—	1	—	—	—	—	
	H4S	D	7133 EA2	—	1	—	—	—	—	
	H4T	D	7133 ET1	—	1	—	—	—	—	
	H1X, H4X, H8X, S7X	D	7133 EX9	—	1	—	—	—	—	
	M1B, M2B	D	7120 EB2	—	—	—	1	—	—	
	H1D, H4D, P6D	D	7120 EB8	—	—	—	1	—	—	
	M1G	D	7120 EF2	—	—	—	1	—	—	
	H1G, H4G, P6G	D	7120 EF7	—	—	—	1	—	—	
	M1L	D	7120 EL1	—	—	—	1	—	—	
	M2R, H4R, P6R	D	7120 ER6	—	—	—	1	—	—	
	H6Y	D	7120 EY1	—	—	—	1	—	—	
	H4S, P6S	D	7120 EA2	—	—	—	1	—	—	
	M2T, H4T, P6T	D	7120 ET1	—	—	—	1	—	—	
	H4W, P6W	D	7120 EW1	—	—	—	1	—	—	
	M2X, H1X, H4X, P6X	D	7120 EX9	—	—	—	1	—	—	
	RR. QTR. UPPER									
	L1B, X2B, M1B, M2B, H1D, H4D, S7B	D	3568-9 EB2	1	—	—	—	—	—	
	M1G, H1G, H4G, S7G	D	3568-9 EF2	1	—	—	—	—	—	
	L1L, M1L, H1L	D	3568-9 EL1	1	—	—	—	—	—	
	K2A, H4S, S7X	D	3568-9 EA2	1	—	—	—	—	—	
	M2R, H1R, X2R	D	3568-9 ER6	1	—	—	—	—	—	
	M2T, H4T, X2T	D	3568-9 ET1	1	—	—	—	—	—	
	M2X, H1X, H4X, H8X	D	3568-9 EX9	1	—	—	—	—	—	
	H1D, H4D, S7B	D	3554-5 EB8	—	1	—	—	—	—	
	H1G, H4G, S7G	D	3554-5 EF7	—	1	—	—	—	—	
	H4R	D	3554-5 ER6	—	1	—	—	—	—	
	H4S	D	3554-5 EA2	—	1	—	—	—	—	
	H4T	D	3554-5 ET1	—	1	—	—	—	—	
	H1X, H4X, H8X, S7X	D	3554-5 EX9	—	1	—	—	—	—	
	L1B, L2B	P	2094-5 EB3	—	—	—	1	—	—	
	L1L	P	2094-5 EL1	—	—	—	1	—	—	
	L1G	P	2094-5 EF3	—	—	—	1	—	—	
	L2R	P	2094-5 ER6	—	—	—	1	—	—	
	L2T	P	2094-5 ET1	—	—	—	1	—	—	
	L2X	P	2094-5 EX9	—	—	—	1	—	—	
	M1B, M2B	D	2094-5 EB3	—	—	—	1	—	—	
	H1D, H4D, P6D	D	2094-5 EB7	—	—	—	1	—	—	

NOTE: A letter code in the carline column indicates the carline for which the part is released as follows:

CARLINES Indicate:	B - Barracuda	V - Valiant L - Dart	R - Belvedere W - Coronet	P - Plymouth D - Dodge	C - Chrysler Y - Imperial
--------------------	---------------	-------------------------	------------------------------	---------------------------	------------------------------

AR Indicates use as required.

★ Indicates change or addition.

Right and left part numbers are on same line,
first number is right, second number is left.

Printed in U.S.A.

January 1971

CODE	PART NAME	CAR LINE	PART NUMBER	Sed.	4 D.H.T.	Sta. Wgn.	2 D.H.T.	Sp. 2 D.H.T.	Conv.
23-86-3 HEADLINING and LISTINGS Cont'd.									
	M1G	D	2094-5 EF3	—	—	—	1	—	—
	H1G, H4G, P6G	D	2094-5 EF8	—	—	—	1	—	—
	M1L	D	2094-5 EL1	—	—	—	1	—	—
	M2R, H4R, P6R	D	2094-5 ER6	—	—	—	1	—	—
	H4S, P6S	D	2094-5 EA4	—	—	—	1	—	—
	M2T, H4T, P6T	D	2094-5 ET1	—	—	—	1	—	—
	H4W, P6W	D	2094-5 EW1	—	—	—	1	—	—
	M2X, H1X, H4X, P6X	D	2094-5 EX9	—	—	—	1	—	—
	E1D, E2D, L3D, L4D, H1D, H7D	C	7182 EB9	1	—	—	—	—	—
	L4E, L7E	C	7136 EE9	1	—	—	—	—	—
	E1G	C	7136 EF2	1	—	—	—	—	—
	L3G, H1G	C	7136 EF7	1	—	—	—	—	—
	E1L, L7L	C	7136 EL1	1	—	—	—	—	—
	E1Q, L3Q, H1Q	C	7136 EQ3	1	—	—	—	—	—
	HST	C	7136 EL1	1	—	—	—	—	—
	E1X, E2X, L2X, L4X, L8X, H1X	C	7136 EX9	1	—	—	—	—	—
	E2Y, L3Y, H1Y	C	7136 EY1	1	—	—	—	—	—
VINYL HEADLINING									
	E1D, E2D, L3D, L4D, M4D, M6D, H1D, H7D	C	7104 EB9	—	1	—	—	—	—
	L4E, L7E, M4E, H7E	C	7104 EE9	—	1	—	—	—	—
	E1G	C	7104 EF2	—	1	—	—	—	—
	L3G, M3G, M6G	C	7104 EF7	—	1	—	—	—	—
	E1L, L7L, M5L, H7L, H8L	C	7104 EL1	—	1	—	—	—	—
	E1Q, L3Q, H1Q	C	7104 EQ3	—	1	—	—	—	—
	E2T, M6T, HST	C	7104 ET1	—	1	—	—	—	—
	M6W, MSW	C,Y	7104 EW1	—	1	—	—	—	—
	E1X, E2X, L3X, L4X, L8X, M3X, M4X, M6X, H1X, H5X, H8X	C	7104 EX9	—	1	—	—	—	—
	E2Y, L3Y, M3Y, H1Y	C	7104 EY1	—	1	—	—	—	—
	E1D, E2D, L3D, L4D, M4D, M6D, H3D	C	7120 EB9	—	—	—	1	—	—
	L4E, M4E	C	7120 EE9	—	—	—	1	—	—
	E1G	C	7120 EF2	—	—	—	1	—	—
	L3G, M3G, M6G	C	7120 EF7	—	—	—	1	—	—
	E2T, E6T, M6T	C	7120 ET1	—	—	—	1	—	—
	E1L, M5L	C	7120 EL1	—	—	—	1	—	—
	E1Q, L3Q, H3Q	C	7120 EQ3	—	—	—	1	—	—
	E6W, M6W, H6W, MRW	C,Y	7120 EW1	—	—	—	1	—	—
	E1X, E2X, E6X, L3X, L4X, M3X, M4X, M6X	C	7120 EX9	—	—	—	1	—	—
	E2Y, L3Y, M3Y, H3Y	C	7120 EY1	—	—	—	1	—	—
	M1D, H1D, H7D	C,Y	7135 EB9	1	—	—	—	—	—
	M1G	Y	7135 EF2	1	—	—	—	—	—
	M1K, HST, H5T	C,Y	7135 ET1	1	—	—	—	—	—
	M1M	Y	7135 EM9	1	—	—	—	—	—
	M1Q, H1Q	C,Y	7135 EQ3	1	—	—	—	—	—
	M1X, H1X	C,Y	7135 EX9	1	—	—	—	—	—
	H1Y	C	7135 EY5	1	—	—	—	—	—
	H7E	C	7135 EE9	1	—	—	—	—	—
	H7L	C	7135 EL3	1	—	—	—	—	—
CLOTH HEADLINING MATERIAL									
	MSB	Y	7167 EB2	—	1	—	—	—	—
	H1D, H7D, D1D, MDD, MSD	C,Y	7167 EB9	—	1	—	—	—	—
	H1G, D1G, MDG, MSD	C,Y	7167 EF7	—	1	—	—	—	—
	HST, D1K, MDK, MST	C,Y	7167 ET1	—	1	—	—	—	—
	D1M, MDM	Y	7167 EM9	—	1	—	—	—	—
	H1X, H8X, MDX, DIX, MSN, MSX	C,Y	7167 EX9	—	1	—	—	—	—

NOTE: A letter code in the carline column indicates the carline for which the part is released as follows:

CARLINES Indicate:	B - Barracuda	V - Valiant L - Dart	R - Belvedere W - Coronet	P - Plymouth D - Dodge	C - Chrysler Y - Imperial
--------------------	---------------	-------------------------	------------------------------	---------------------------	------------------------------

AR Indicates use as required.
★ Indicates change or addition.

Right and left part numbers are on same line,
first number is right, second number is left.

Printed in U.S.A.
January 1971

CODE	PART NAME	CAR LINE	PART NUMBER	Sed.	4 D.H.T.	Sta. Wgn.	2 D.H.T.	Sp. 2 D.H.T.	Conv.
23-86-3 HEADLINING and LISTINGS Cont'd.									
H7E		C	7167 EE9	—	1	—	—	—	—
MSR		Y	7167 ER6	—	1	—	—	—	—
H1Y, MSY		C,Y	7167 EY5	—	1	—	—	—	—
H1Q, D1Q, MDQ		C,Y	7167 EQ3	—	1	—	—	—	—
H7L, H8L		C	7167 EL3	—	1	—	—	—	—
MRB		C,Y	7124, EB2	—	—	—	1	—	—
H3D, H6D, MBD		C,Y	7124 EB9	—	—	—	1	—	—
H3G, MBG, MRG		C,Y	7124 EF7	—	—	—	1	—	—
H6T, MBK, MRT		C,Y	7124 ET1	—	—	—	1	—	—
MBM		C,Y	7124 EM9	—	—	—	1	—	—
H3Y		C,Y	7124 EY5	—	—	—	1	—	—
H3X, H6X, MBX, MRX		C,Y	7124 EX9	—	—	—	1	—	—
H3Q, MBQ		C,Y	7124 EQ3	—	—	—	1	—	—
RR. QTR. UPR. TRIM PNL.									
E1D, E2D, L3D, L4D		C	3594-5 EB9	1	—	—	—	—	—
L4E, L7E		C	3594-5 EE9	1	—	—	—	—	—
E1G		C	3594-5 EF2	1	—	—	—	—	—
L3G		C	3594-5 EF7	1	—	—	—	—	—
E1L, L7L		C	3594-5 EL1	1	—	—	—	—	—
E1Q, L3Q		C	3594-5 EQ3	1	—	—	—	—	—
E1X, E2X, L3X, L4X, L8X		C	3594-5 EX9	1	—	—	—	—	—
E2Y, L3Y		C	3594-5 EY1	1	—	—	—	—	—
RR. QTR. UPR. TRIM PANEL									
E1D, E2D, L3D, L4D, M4D, M6D		C	3592-3 EB9	—	1	—	—	—	—
L4E, L7E, M4E		C	3592-3 EE9	—	1	—	—	—	—
E1G		C	3592-3 EF2	—	1	—	—	—	—
E1L, L7L, M5L		C	3592-3 EL1	—	1	—	—	—	—
E1Q, L3Q		C	3592-3 EQ3	—	1	—	—	—	—
E1X, E2X, L3X, L4X, L8X, M3X, M4X, M6X		C	3592-3 EX9	—	1	—	—	—	—
L3G, M3G, M6G		C	3592-3 EF7	—	1	—	—	—	—
E2T, M6T		C	3592-3 ET1	—	1	—	—	—	—
M6W		C	3592-3 EW1	—	1	—	—	—	—
E2Y, L3Y, M3Y		C	3592-3 EY1	—	1	—	—	—	—
D1D, H1D, H7D		C,Y	3540-1 EB9	—	1	—	—	—	—
H7E		C	3540-1 EE9	—	1	—	—	—	—
D1G, H1G		C,Y	3540-1 EF7	—	1	—	—	—	—
H7L, H8L		C	3540-1 EL3	—	1	—	—	—	—
D1M		Y	3540-1 EM9	—	1	—	—	—	—
D1Q, H1Q		C,Y	3540-1 EQ3	—	1	—	—	—	—
D1X, H1X, H8X		C,Y	3540-1 EX9	—	1	—	—	—	—
H1Y		C	3540-1 EY5	—	1	—	—	—	—
D1K, HST		C,Y	3540-1 ET1	—	1	—	—	—	—
D1D, M1D, H1D, H7D		C,Y	3542-3 EB9	1	—	—	—	—	—
H7E		C	3542-3 EE9	1	—	—	—	—	—
H1G		C	3542-3 EF7	1	—	—	—	—	—
H7L		C	3542-3 EL3	1	—	—	—	—	—
D1Q, M1Q, H1Q		C,Y	3542-3 EQ3	1	—	—	—	—	—
D1X, M1X, H1X		C,Y	3542-3 EX9	1	—	—	—	—	—
H1Y		C	3542-3 EY5	1	—	—	—	—	—
HST, D1K, M1K		C,Y	3542-3 ET1	1	—	—	—	—	—
D1G, M1G		Y	3542-3 EF2	1	—	—	—	—	—
D1M, M1M		Y	3542-3 EM9	1	—	—	—	—	—
RR. QTR. UPR. HEADLINING TRIM PANEL									
MSB		Y	3500-1 EB2	—	1	—	—	—	—
MDD		Y	3500-1 EB9	—	1	—	—	—	—

NOTE: A letter code in the carline column indicates the carline for which the part is released as follows:

CARLINES Indicate:	B - Barracuda	V - Valiant L - Dart	R - Belvedere W - Coronet	P - Plymouth D - Dodge	C - Chrysler Y - Imperial
--------------------	---------------	-------------------------	------------------------------	---------------------------	------------------------------

AR Indicates use as required.
★ Indicates change or addition.

Right and left part numbers are on same line,
first number is right, second number is left.

Printed in U.S.A.
January 1971

CODE	PART NAME	CAR LINE	PART NUMBER	Sed.	4 D.H.T.	Sta. Wgn.	2 D.H.T.	Sp. 2 D.H.T.	Conv.
23-86-3	HEADLINING and LISTINGS Cont'd.								
	MDG, MSG.....	Y	3500-1 EF7	—	1	—	—	—	—
	MDK, MST.....	Y	3500-1 ET1	—	1	—	—	—	—
	MDM.....	Y	3500-1 EM9	—	1	—	—	—	—
	MDX, MSN, MSX.....	Y	3500-1 EX9	—	1	—	—	—	—
	MSR.....	Y	3500-1 ER6	—	1	—	—	—	—
	MSY.....	Y	3500-1 EY5	—	1	—	—	—	—
	MDQ.....	Y	3500-1 EQ3	—	1	—	—	—	—
	MSW.....	Y	3502-3 EW1	—	1	—	—	—	—
	RR. WINDOW OPNG, UPR. TRIM PANEL								
	MSB.....	Y	3522 EB2	—	1	—	—	—	—
	MDD, MSD.....	Y	3522 EB9	—	1	—	—	—	—
	MDK, MST.....	Y	3522 ET1	—	1	—	—	—	—
	MDM.....	Y	3522 EM9	—	1	—	—	—	—
	MDG, MSG.....	Y	3522 EF7	—	1	—	—	—	—
	MDX, MSN, MSX.....	Y	3522 EX9	—	1	—	—	—	—
	MDQ.....	Y	3522 EQ3	—	1	—	—	—	—
	MSR.....	Y	3522 ER6	—	1	—	—	—	—
	MSW.....	Y	3539 EW1	—	1	—	—	—	—
	MSY.....	Y	3522 EY5	—	1	—	—	—	—
	MSW.....	Y	3573 EW1	—	1	—	—	—	—
	RR. WDO. OPNG. TRM. PNL								
	MDD, MSD.....	Y	3522 EB9	—	1	—	—	—	—
	MSB.....	Y	3522 EB2	—	1	—	—	—	—
	MDK, MST.....	Y	3522 ET1	—	1	—	—	—	—
	MDM.....	Y	3522 EM9	—	1	—	—	—	—
	MDX, MSN, MSX.....	Y	3522 EX9	—	1	—	—	—	—
	MDQ.....	Y	3522 EQ3	—	1	—	—	—	—
	MSR.....	Y	3522 ER6	—	1	—	—	—	—
	MSY.....	Y	3522 EY5	—	1	—	—	—	—
	MDG, MSG.....	Y	3522 EF7	—	1	—	—	—	—
	RR. WINDOW OPNG. LOWER TRIM PNL								
	MSB.....	Y	3522 EB2	—	1	—	—	—	—
	MDD, MSD.....	Y	3522 EB9	—	1	—	—	—	—
	MDK, MST.....	Y	3522 ET1	—	1	—	—	—	—
	MDM.....	Y	3522 EM9	—	1	—	—	—	—
	MDG, MSG.....	Y	3522 EF7	—	1	—	—	—	—
	MDX, MSN, MSX.....	Y	3522 EX9	—	1	—	—	—	—
	MDQ.....	Y	3522 EQ3	—	1	—	—	—	—
	MSR.....	Y	3522 ER6	—	1	—	—	—	—
	MSY.....	Y	3522 EY5	—	1	—	—	—	—
	MSW.....	Y	3523 EW1	—	1	—	—	—	—
	MRW.....	Y	3557 EW1	—	1	—	—	—	—
	RR. WINDOW OPNG. UPR. TRM. PANEL								
	MBD.....	Y	3532 EB2	—	—	—	1	—	—
	MRB.....	Y	3532 EB9	—	—	—	1	—	—
	MRW.....	Y	3533 EW1	—	—	—	1	—	—
	MBG, MRG.....	Y	3532 EF7	—	—	—	1	—	—
	MBK, MRT.....	Y	3532 ET1	—	—	—	1	—	—
	MBQ.....	Y	3532 EQ3	—	—	—	1	—	—
	MBX, MRX.....	Y	3532 EX9	—	—	—	1	—	—
	MBM.....	Y	3532 EM9	—	—	—	1	—	—
	RR. QTR. UPR. PANEL W RET.								
	L1B, L2B, M1D, M4D, M6D, H4D, H6D, P3D.....	P,D	2094-5 EB7	—	—	—	1	—	—
	E1D, E2D, L3D, L4D, M4D, M3D, M6D, H3D, H6D.....	C,Y	2094-5 EB9	—	—	—	1	—	—

NOTE: A letter code in the carline column indicates the carline for which the part is released as follows:

CARLINES Indicate:	B - Barracuda	V - Valiant L - Dart	R - Belvedere W - Coronet	P - Plymouth D - Dodge	C - Chrysler Y - Imperial
--------------------	---------------	-------------------------	------------------------------	---------------------------	------------------------------

AR Indicates use as required.

★ Indicates change or addition.

Right and left part numbers are on same line,
first number is right, second number is left.

Printed in U.S.A.

January 1971

1969 PASSENGER CAR PARTS CATALOG

INTERIOR TRIM

CODE	PART NAME	CAR LINE	PART NUMBER	Sed.	4 D.H.T.	Sta. Wgn.	2 D.H.T.	Sp. 2 D.H.T.	Conv.
23-86-3	HEADLINING and LISTINGS Cont'd.								
	L4E, M4E.....	C	2094-5 EE9	—	—	—	1	—	—
	H6G, P3G.....	P,D,C,Y	2094-5 EF8	—	—	—	1	—	—
	H6G, P3G.....	P,D,C	2094-5 EF8	—	—	—	1	—	—
	E1G.....	C	2094-5 EF3	—	—	—	1	—	—
	E1Q, L3Q, M3Q, H3Q.....	C,Y	2094-5 EQ4	—	—	—	1	—	—
	E1L, L5L, M5L.....	C	2094-5 EL1	—	—	—	1	—	—
	M4R, H6R.....	P	2094-5 ER6	—	—	—	1	—	—
	M4S, H6S.....	P	2094-5 EA4	—	—	—	1	—	—
	E2T, E6T, L2T, L6T, M3K, M6T, M4T, H4T, H6T, P6T.....	P,D,C,Y	2094-5 EIT	—	—	—	1	—	—
	M3M.....	Y	2094-5 EM9	—	—	—	1	—	—
	E6W, L2W, L6W, M4W, M6W, H6W, P4W.....	P,D,C	2094-5 EW1	—	—	—	1	—	—
	E2Y, L1Y, L3Y, M3Y, H3Y, H4Y, H6Y.....	D,C	2094-5 EY4	—	—	—	1	—	—
	E1X, E2X, L1X, L2X, L3X, L4X, L6X, M1X M3X, M4X, M6X, H3X, H4X, H6X, P3X, P6X, PPX.....	P,D,C	2094-5 EX9	—	—	—	1	—	—
	RR. WINDOW OPNG. UPR. TRIM PANEL								
	MSW.....	Y	3523 EW1	—	1	—	—	—	—
	MRW.....	Y	3557 EW1	—	—	—	1	—	—
	RR. QTR. UPR. TRIM PANEL								
	MSW.....	Y	3502-3 EW1	—	1	—	—	—	—
	CLIP, Headlining Ret.....	B,L,R,W,P,D,C,Y	6028 299	AR	AR	—	AR	—	AR
23-86-4	PILLOW, Upper Quarter Trim								
	CODES								
	MSB.....	Y	3548-9 EB3	—	1	—	—	—	—
	MDD, MSD.....	Y	3548-9 EB9	—	1	—	—	—	—
	MDG, MSG.....	Y	3548-9 EF8	—	1	—	—	—	—
	MDK, MST.....	Y	3548-9 ET2	—	1	—	—	—	—
	MSN.....	Y	3548-9 EY9	—	1	—	—	—	—
	MDQ.....	Y	3548-9 EQ4	—	1	—	—	—	—
	MDX, MSX.....	Y	3548-9 EX9	—	1	—	—	—	—
	MSR.....	Y	3548-9 ER7	—	1	—	—	—	—
	MSW.....	Y	3548-9 EW1	—	1	—	—	—	—
	MSY.....	Y	3548-9 EY4	—	1	—	—	—	—
	MDM.....	Y	3548-9 EM9	—	1	—	—	—	—
	Fastener, Att.....	Y	6002 830	—	6	—	—	—	—
23-86-8	RETAINER, Deck Opening Upper Panel								
	Outside Cover Vinyl.....	Y	2963 408	—	2	—	—	—	—
		Y	2963 407	—	—	—	2	—	—
23-86-10	BOW, Roof								
	2 DOOR	V,B,L	2604 056	1	—	—	1	1	—
	4 DOOR	R,W	2841 196	2	—	—	2	2	—
	4 DOOR	R,W	2840 812	1	—	1	—	—	—
	4 DOOR	R,W	2784 283	2	—	—	—	—	—
		P	2900 117	2	—	—	—	—	—
		P,D,C,Y	2900 117	—	2	—	—	2	—
		P,D,C	2895 157	—	—	1	—	—	—
		P,D,C	2893 295	—	—	4	—	—	—
		P,D,C,Y	2901 674	—	—	—	2	—	—
23-86-11	RETAINER, Roof Side Rail Roof Bow								
	No. 1 Bow.....	V,B,L,R,W,P,D,C,Y	2482 581	AR	AR	AR	AR	AR	—
		V,B,L,R,W,P, D,C,Y	2605 112	AR	AR	AR	AR	AR	—
23-86-14	PAD, Air Conditioning Roof Evaporating Unit Trim								
	Clip	P,D,C	2936 416	—	—	1	—	—	—
	Pad to hsg. ret.....	P,D,C	6008 193	—	—	3	—	—	—

NOTE: A letter code in the carline column indicates the carline for which the part is released as follows:

CARLINES Indicate: B - Barracuda V - Valiant R - Belvedere P - Plymouth C - Chrysler
L - Dart W - Coronet D - Dodge Y - Imperial

AR Indicates use as required.
★ Indicates change or addition.

Right and left part numbers are on same line,
first number is right, second number is left.

Printed in U.S.A.
January 1971

CODE	PART NAME	CAR LINE	PART NUMBER	Sed.	4 D.H.T.	Sta. Wgn.	2 D.H.T.	Sp. 2 D.H.T.	Conv.
23-86-19	RETAINER, Headlining								
	Short	V,B,L,R, W,C,Y	2581 273	AR	AR	—	AR	AR	—
	Medium	V,B,L,R, W,C,Y	2581 274	AR	AR	—	AR	AR	—
	Long	V,B,L,R, W,C,Y	2581 275	AR	AR	—	AR	AR	—
	2 DOOR.								
	Rear window								
	Upper	R,W	2842 738-9	1	—	—	1	—	—
	Side	R,W	2842 792-3	1	—	—	1	—	—
	4 DOOR								
	Upper	R,W	2838 587	1	—	—	—	—	—
	Side	R,W	2842 988-9	1	—	—	—	—	—
	Upper	W	2840 790	—	—	—	—	1	—
	Side	W	2840 788-9	—	—	—	—	1	—
	Upper	L	2782 726	1	—	—	—	—	—
	Side	L	2782 724-5	1	—	—	—	—	—
	Side Frt.	R,W	2861 698-9	1	—	1	—	—	—
	Side Rr.	R,W	2861 528-9	—	—	1	—	—	—
	Strip, ret. Side	W-500	3412 173-4	—	—	1	—	—	—
	Upper	W-500	2840 190	—	—	—	—	1	—
	N.Y. TAXI TYPE HEADLINING PNL.								
	T2X								
	Frt.	W	1009 EWW	1	—	—	—	—	—
	Rr.	W	1010 EWW	1	—	—	—	—	—
	2 DOOR	P,D	2900 238	1	1	—	—	1	—
	Side	P,D	2900 244-5	1	—	—	1	1	—
	Upper	C,Y	2900 240	1	—	—	—	—	—
		C	2900 241	—	1	—	—	—	—
	Side Upper	C,Y	2900 248-9	1	—	—	—	—	—
		C	2900 250-1	—	1	—	—	—	—
	Lower	C,Y	2901 522-3	1	1	—	—	—	—
	Side Rear	P,D,C	2894 510-1	—	—	1	—	—	—
	Soft Hd.-Lining to Lwr.			—	—	—	—	—	—
	Qtr. Panel	P,D,C,Y	2879 591	—	—	—	2	—	—
	Fastener, Rr. Window Upr., Lwr. and Side Ret.	L,R,W,P, D,C,Y	6000 922	AR	AR	—	AR	AR	AR
	Fastener, Hd-Lining Side Rr. Ret.	R,W,P, D,C	6000 922	—	—	10	—	—	—
	Fastener, HD-Lining Side Frt. Ret.	R,W,P, D,C	6000 922	—	—	12	—	—	—
	Fastener, Rr. Qtr. Upr. Panel	R,W,P, D,C	6000 121	—	—	—	AR	—	—
	Screw, Hd-Lining Side Rr. Ret.	P,D,C	9414 711	—	—	2	—	—	—
	Screw, Rr. Window Headlining Trim Mldg. Ret. Att.	R,W	9414 711	5	—	—	—	—	—
	Screw, Headlining Ret. Side Frt.	R,W	9414 711	—	—	2	—	—	—
	Screw, Rr. Window Headlining Side and Lwr. to Frame Ext.	C,Y	9414 711	4	4	—	—	—	—
	Clip, Soft Hd.-Lining To Side Rail.	W	6013 062	—	—	—	—	AR	—
	Soft Headlining To Upr. Qtr. Panel 2 DOOR	R,W	2877 196-7	1	—	—	—	—	—
	Soft Headlining To Upr. Qtr. Panel	C,Y	2878 416	—	2	—	—	—	—
	Fastener, Rr. Window Upr., Lwr. and Side Ret.	L,R,W,P, D,C,Y	6000 922	AR	AR	—	AR	AR	AR

NOTE: A letter code in the carline column indicates the carline for which the part is released as follows:

CARLINES Indicate:	B - Barracuda	V - Valiant L - Dart	R - Belvedere W - Coronet	P - Plymouth D - Dodge	C - Chrysler Y - Imperial
--------------------	---------------	-------------------------	------------------------------	---------------------------	------------------------------

AR Indicates use as required.

★ Indicates change or addition.

Right and left part numbers are on same line,
first number is right, second number is left.

Printed in U.S.A.
January 1971

1969 PASSENGER CAR PARTS CATALOG

CODE	PART NAME	CAR LINE	PART NUMBER	Sed.	4 D.H.T.	Sta. Wgn.	2 D.H.T.	Sp. 2 D.H.T.	Conv.
23-86-19	RETAINER, Headlining Cont'd.								
	Headlining Side Rr. Ret.	R,W,P,D,C	6000 922	—	—	10	—	—	—
	Headlining Side Frt. Ret.	R,W,P,D,C	6000 922	—	—	12	—	—	—
	Fastener, Rr. Qtr. Upr. Pnl.	R,W,P,D,C	6000 121	AR	—	—	AR	—	—
	Screw, Headlining Side Rr. Ret.	P,D,C	0414 711	—	—	2	—	—	—
	Screw, Rr. Headlining Trim								
	Mldg. Ret. Att.	R,W	9414 711	5	—	—	—	—	—
	Screw, Headlining Ret. Side Frt.	R,W	9414 711	—	—	2	—	—	—
	Screw, Rr. Window Hd. Lining Side								
	and Lwr. to Frame Ext.	C,Y	9414 711	4	4	—	—	—	—
23-86-24	RETAINER, Roof Inside Finish Panel								
	Moulding								
	N,Y, TAXI TYPE HD-LINING PNL.								
	Sec. No. 1.	W	2877 229	1	—	—	—	—	—
	Sec. No. 2.	W	2877 230	1	—	—	—	—	—
	Sec. 1 thru 3.	R,W	2589 382	—	—	3	—	—	—
	Sec. 4.	R,W	2657 233	—	—	1	—	—	—
	REAR WINDOW								
	Lower.	W	2840 791	—	—	—	—	1	—
		R,W	2876 532	1	—	—	—	—	—
	ROOF INSIDE FINISH PANEL								
	No. 1 Pnl.	P,D,C	2877 998	—	—	AR	—	—	—
		P,D,C	2581 461	—	—	1	—	—	—
23-86-35	MOULDING, Roof Headlining								
	Rr. Section to Tailgate								
	Window								
	w/o Dome Lamp.	R,W	2877 077	—	—	1	—	—	—
	w/Dome Lamp.	R,W	2877 076	—	—	1	—	—	—
	No.'s 1, 2 & 3.	R,W	1070 BW1	—	—	3	—	—	—
	No. 4.	R,W	1071 BW1	—	—	1	—	—	—
	Rr. Window								
	L.	L	3705 CX9	2	—	—	—	—	—
	Upper.	W	3732-3 DX9	—	—	—	—	1	—
	Lower.	R,W	3700 DX9	—	—	—	—	1	—
	REAR WINDOW UPR.								
	Blue Rt.	W-500	3412 259	—	—	—	—	1	—
	Lt.	W-500	3412 260	—	—	—	—	1	—
	Green.	W-500	3412 261-2	—	—	—	—	1	—
	Red.	W-500	3412 263-4	—	—	—	—	1	—
	Tan.	W-500	3412 265-6	—	—	—	—	1	—
	White.	W-500	3412 267-8	—	—	—	—	1	—
	Black								
	Rt.	W-500	3412 269	—	—	—	—	1	—
	Lt.	W-500	3412 270	—	—	—	—	1	—
	UPR. 4 DOOR.	R,W	3754-5 DX9	1	—	—	—	—	—
	2 DOOR.	R,W	3796-7 DX9	1	—	—	1	—	—
	N.Y. TAXI TYPE HD-LINING PNLS.								
	Sec. No's 1 & 2	W	1070 BW1	2	—	—	—	—	—
	RR. WINDOW								
	Upper and Side								
	4 DOOR								
	2 Door.	P,D	3710 EX9	1	1	—	1	1	—
	Lwr. and side.	P,D	3712-3 EX9	1	1	—	—	—	—
	2 Piece.	P,D	3708-9 EX9	1	—	—	—	—	—
		C	3780-1 EX9	—	1	—	—	—	—
	Lwr. and side.	C,Y	3774-5 EX9	1	—	—	—	—	—
	Upper.	C,Y	3776 EX9	1	—	—	—	—	—
	2 Piece.	C,Y	3722-3 EX9	1	—	—	—	—	—
	No.'s 1,2,3, & 4.	P,D,C	1064 EZ1	—	—	1	—	—	—
	Upper.	C,Y	3734 EX9	—	1	—	—	—	—

NOTE: A letter code in the carline column indicates the carline for which the part is released as follows:

CARLINES Indicate:	B - Barracuda	V - Valiant	R - Belvedere	P - Plymouth	C - Chrysler
		L - Dart	W - Coronet	D - Dodge	Y - Imperial

AR Indicates use as required.
 ★ Indicates change or addition.

Right and left part numbers are on same line,
 first number is right, second number is left.

Printed in U.S.A.
 January 1971

CODE	PART NAME	CAR LINE	PART NUMBER	Sed.	4 D.H.T.	Sta. Wgn.	2 D.H.T.	Sp. 2 D.H.T.	Conv.	
23-86-36	CAP, Roof Inside Finish Moulding Rr. Window	Center	L	3711 AX9	1	—	—	—	—	
		Joint	R,W	2879 288	1	—	—	—	—	
		Lower Corner	W	3716-7 DX9	—	—	—	1	—	
		Lower Corner	R,W	3756-7 DX9	1	—	—	—	—	
		No.'s 1,2 & 3	R,W	2876 949	4	—	6	—	—	
		No. 4	R,W	2876 950	—	—	2	—	—	
	Rr. window ctr.	Upper 2 Door	P,D,C,Y	2877 651	1	1	1	—	1	1
		Lower	P,D,C,Y	2877 651	1	1	—	1	—	—
	Upper Center	4 DOOR	P,D,C,Y	2877 382	1	—	—	—	—	
	Lower Center	4 DOOR	P,D,C,Y	2877 382	1	—	—	—	—	
		Upr. Corner	P,D	3772-3 EX9	1	—	—	—	—	
		Upr. Corner	C,Y	3778-9 EX9	1	—	—	—	—	
	Lower	Welt Joint	Y	3771 EX9	—	2	—	—	—	
	Rr. window	Upr. Corner	P,D	3772-3 EX9	1	—	—	—	—	
		Upr. Corner	C,Y	3778-9 EX9	1	—	—	—	—	
		Upper Center	R,W	3737 DX9	1	—	1	1	—	
		Joint	R,W	3784 EX9	1	—	—	—	—	
		Hd. Lining Mldg.								
		No. 1 thru 4	P,D,C	2879 310	—	—	8	—	—	
	23-86-40	BRACKET, Rear Window Trim Panel Retainer	Upper	Y	2879 208	—	7	—	—	—
Lower			Y	2879 207	—	2	—	—	—	
Outer			Y	2877 338-9	—	1	—	—	—	
Side			Y	2879 209	—	8	—	9	—	
Upper			Y	2877 395	—	—	—	3	—	
Lower			Y	2877 396-7	—	—	—	1	—	
23-91-6	PANEL, Cowl Side Trim		V,B,L	1402-3 CX9	1	—	—	1	1	1
		CODES								
		L1B, L2B, M2B, M6B, M6C, X2B, H1B, H2B, H2C, P2B, P2C, P2D, D2D, P3B, P3D, C6D, CRD	R,W	1410-1 EB7	1	—	1	1	1	1
		M6F, M6G, X1G, H1G, H2G, H2F, D2G, P2G, P2F, P3G, P6F, P6G, C6G, CRG	R,W	1410-1 EF8	1	—	1	1	1	1
		M6R, H2R, P6R, P6V, C6R	R,W	1410-1 ER6	1	—	1	1	1	1
		K1T, K2T, X2T, L2T, M2T, M6H, M6T, H2H, H2T, D2T, P2H, P2T, P3T, P6H, P6T, C6T, CRT	R,W	1410-1 ET8	1	—	1	1	1	1
		P3Y	W	1410-1 EY4	1	—	—	—	—	
		L2X, X2X, M2X, M6W, M6X, M6S, T2X, D2X, H1X, H2S, H2X, P6W, P6X, P6S, P3X, C6W, C6X, CRX	R,W	1410-1 BX9	1	—	1	1	1	1
		SILENCER	R,W	2588 236-7	1	—	1	1	1	1
		H1Y, P3Y	W	1410-1 EY4	1	—	—	1	—	
		L1B, L2B, M1B, M2B, H1D, H4D, E1B, E2B, L1B, L2B, M1B, M2B, M6B, M1D, M4D, H1B, H1D, H4D, H6D, P3D, P6D, S7B	P,D	1420-1 EB7	1	1	1	1	1	1
		L1G, L2G, M1G, M6G, H1G, H4G, P3G, P6G, S7G	P,D	1420-1 EF8	1	1	1	1	1	1
		M1R, M2R, M4R, L2R, H1R, H4R, H6R, P6R	P,D	1420-1 ER6	1	1	1	1	—	1
		K1T, K2T, L1T, L2T, M4T, M6T, H4T, H6T, H8T, H4H, P4T, P6T, X2T	P,D	1420-1 ET8	1	1	1	1	—	—
		L1Y, H1Y, H4Y, H6Y	D	1420-1 EY4	1	1	—	1	—	—
		E1D, E2D, E4D, L3D, L4D, M4D, M6D, H1D, H3D, H6D, H7D	C	1438-9 EB9	1	1	1	1	—	1
		E4E, L4E, M4E, H7E	C	1438-9 EE9	1	1	1	1	—	—

NOTE: A letter code in the carline column indicates the carline for which the part is released as follows:

CARLINES Indicate:	B - Barracuda	V - Valiant L - Dart	R - Belvedere W - Coronet	P - Plymouth D - Dodge	C - Chrysler Y - Imperial
--------------------	---------------	-------------------------	------------------------------	---------------------------	------------------------------

AR Indicates use as required.

★ Indicates change or addition.

Right and left part numbers are on same line,
first number is right, second number is left.

Printed in U.S.A.
January 1971

1969 PASSENGER CAR PARTS CATALOG

CODE	PART NAME	CAR LINE	PART NUMBER	Sed.	4 D.H.T.	Sta. Wgn.	2 D.H.T.	Sp. 2 D.H.T.	Conv.
23-91-6	PANEL, Cowl Side Trim Cont'd.								
	E1G, E4G, E8G, L3G, L6G, M3G, M6G,								
	H1G, H3G	C	1438-9 EF8	1	1	1	1	1	1
	E1Q, L3Q, H1Q, H3Q	C	1438-9 EQ8	1	1	1	1	1	1
	E2T, E4T, E6T, L6T, M6T, H5T, H6T	C	1438-9 ET8	1	1	1	1	1	1
	E2Y, L3Y, M3Y, H1Y, H3Y	C	1438-9 EY4	1	1	1	1	1	1
	E1L, E7L, L7L, L5L, M5L, H8L, H7L	C	1438-9 EY8	1	1	1	1	1	1
	E1X, E2X, E4X, E6X, E6W, E8X, L3X,								
	L4X, L6X, L6W, L8X, M3X, M4X, M6X,								
	M6W, H1X, H3X, H6X, H6W, H8X	C	1438-9 EX9	1	1	1	1	1	1
	Carpeted								
	D1D, M1D, MBD, MRB, MDD, M3D, MSB, MSD	Y	1434-5 EB9	1	1	1	1	1	1
	D1G, M1G, M3G, MRG, MDG, MSG, MBG	Y	1434-5 EF9	1	1	1	1	1	1
	D1K, MBK, M3K, MRT, M1K, MDK, MST	Y	1434-5 ET9	1	1	1	1	1	1
	D1M, MBM, M1M, M3M, MDM	Y	1434-5 EM9	1	1	1	1	1	1
	D1X, MBX, MRW, MRX, M1X, M3X, MDX, MSN,								
	MSW, MSX	Y	1434-5 EX9	1	1	1	1	1	1
	D1Q, MBQ, M1Q, M3Q, MDQ	Y	1434-5 EQ6	1	1	1	1	1	1
	MSR	Y	1434-5 ER6	1	1	1	1	1	1
	MSY	Y	1434-5 EY5	1	1	1	1	1	1
23-92-5	PANEL, Door Trim								
	CODES								
	D1B, D2B, D4B, L1B, L2B								
	Frnt.	V,L	3152-3 EOB	1	1	1	1	1	1
	Rr.	V,L	3234-5 EOB	1	1	1	1	1	1
	D2R, D4R, L1R, L2R								
	Frnt.	V,L	3152-3 EOR	1	1	1	1	1	1
	Rr.	V,L	3234-5 EOR	1	1	1	1	1	1
	L2L, L2T								
	Frnt.	L	3152-3 EOT	1	1	1	1	1	1
	Rr.	L	3234-5 EOT	1	1	1	1	1	1
	D1X, D2X, D4X, L1X, L2X								
	Frnt.	V,L	3152-3 EOX	1	1	1	1	1	1
	Rr.	V,L	3234-5 EOX	1	1	1	1	1	1
	2 DOOR								
	D1B, D2B, D4B, L1B, L2B	V,L	3150-1 EOB	1	1	1	1	1	1
	2 DOOR								
	D4R, L1R, L2R	V	3150-1 EOR	1	1	1	1	1	1
	L2L, L2T, D2T	V,L	3150-1 EOT	1	1	1	1	1	1
	D1X, D2X, D4X, L1X, L2X	V,L	3150-1 EOX	1	1	1	1	1	1
	H1B, H4B	V	3436-7 EOB	1	1	1	1	1	1
	H1G	V	3436-7 EOF	1	1	1	1	1	1
	H4R	V	3436-7 EOR	1	1	1	1	1	1
	H1X, H4X, H6X	V	3436-7 EOX	1	1	1	1	1	1
	H4Y	V	3436-7 EOY	1	1	1	1	1	1
	H6C, H6E, H6F, H6V, H6W	V	3436-7 EOW	1	1	1	1	1	1
	H1B, H2B, H4B	Frnt.	3164-5 EOB	1	1	1	1	1	1
	Rr.	V	3242-3 EOB	1	1	1	1	1	1
	H1G	Frnt.	3164-5 EOF	1	1	1	1	1	1
	Rr.	V	3242-3 EOF	1	1	1	1	1	1
	H2R, H4R	Frnt.	3164-5 EOR	1	1	1	1	1	1
	Rr.	V	3242-3 EOR	1	1	1	1	1	1
	H1X, H2X, H4X, H6X	Frnt.	3164-5 EOX	1	1	1	1	1	1
	Rr.	V	3242-3 EOX	1	1	1	1	1	1
	H2Y, H4Y	Frnt.	3164-5 EOY	1	1	1	1	1	1
	Rr.	V	3242-3 EOY	1	1	1	1	1	1
	H6C, H6F, H6V, H6W	Frnt.	3164-5 EOW	1	1	1	1	1	1

NOTE: A letter code in the carline column indicates the carline for which the part is released as follows:

CARLINES Indicate:	B - Barracuda	V - Valiant L - Dart	R - Belvedere W - Coronet	P - Plymouth D - Dodge	C - Chrysler Y - Imperial
--------------------	---------------	-------------------------	------------------------------	---------------------------	------------------------------

AR Indicates use as required.

★ Indicates change or addition.

Right and left part numbers are on same line,
first number is right, second number is left.

Printed in U.S.A.
January 1971

CODE	PART NAME	CAR LINE	PART NUMBER	Sed.	4 D.H.T.	Sta. Wgn.	2 D.H.T.	Sp. 2 D.H.T.	Conv.
23-92-5	PANEL, Door Trim Cont'd.								
	Rr.....	V	3242-3 EOW	1	—	—	—	—	—
	D6B.....	B	3110-1 EOB	—	—	—	1	1	1
	D6G.....	B	3110-1 EOF	—	—	—	1	1	1
	D6J, D6T, D6U.....	B	3110-1 EOT	—	—	—	1	1	1
	D6N.....	B	3110-1 EOX	—	—	—	1	1	1
	D6P.....	B	3110-1 EY3	—	—	—	1	1	1
	D6R.....	B	3110-1 EOR	—	—	—	1	1	1
	F6P.....	B	3110-1 EFY	—	—	—	1	—	—
	F6J.....	B	3110-1 EFF	—	—	—	1	—	—
	L2B, H4B, H6B.....	B	3170-1 EOB	—	—	—	1	1	1
	H4C, H4F, H4V, H4W, H6C, H6F, H6V, H6W.....	B	3170-1 EOW	—	—	—	1	1	1
	H6G.....	B	3170-1 EOF	—	—	—	1	1	1
	L2R, H6R.....	B	3170-1 EOR	—	—	—	1	1	1
	L2X, H4X, H6X.....	B	3170-1 EOX	—	—	—	1	1	1
	H1B, H2B, H6B Frt.....	L	3120-1 EOB	1	—	—	—	—	—
	Rr.....	L	3216-7 EOB	1	—	—	—	—	—
	H1G, H2G Frt.....	L	3120-1 EOF	1	—	—	—	—	—
	Rr.....	L	3216-7 EOF	1	—	—	—	—	—
	H1L Frt.....	L	3120-1 EOL	1	—	—	—	—	—
	Rr.....	L	3216-7 EOL	1	—	—	—	—	—
	H2T Frt.....	L	3120-1 EOT	1	—	—	—	—	—
	Rr.....	L	3216-7 EOT	1	—	—	—	—	—
	H1X, H2X, H6X Frt.....	L	3120-1 EOX	1	—	—	—	—	—
	Rr.....	L	3216-7 EOX	1	—	—	—	—	—
	H2B, H2W.....	L	3154-5 EOB	—	—	—	1	—	—
	H2C.....	L	3154-5 EOW	—	—	—	1	—	—
	H2G.....	L	3154-5 EOF	—	—	—	1	—	—
	H2T.....	L	3154-5 EOT	—	—	—	1	—	—
	2 DOOR								
	H2R.....	L	3154-5 EOR	—	—	—	1	—	—
	H2X.....	L	3154-5 EOX	—	—	—	1	—	—
	P2B, P6B.....	L	3160-1 EOB	—	—	—	1	—	1
	P6G.....	L	3160-1 EOF	—	—	—	1	—	1
	P2R, P6R.....	L	3160-1 EOR	—	—	—	1	—	1
	P2W, P6C, P6F, P6W, P6E.....	L	3160-1 EOW	—	—	—	1	—	1
	P2X, P6X.....	L	3160-1 EOX	—	—	—	1	—	1
	P6Y.....	L	3160-1 EOY	—	—	—	1	—	1
	L1X, L1B, L1L, K1T, K2T.....	R,W	3132-3 EOT	1	—	—	—	—	—
	4 DOOR								
	L1B, L2B, X2B Frt.....	R	3130-1 EB3	1	—	1	—	—	—
	Rr.....	R	3224-5 EB3	1	—	1	—	—	—
	L1B, L2B Frt.....	W	3130-1 EB7	1	—	1	—	—	—
	Rr.....	W	3224-5 EB7	1	—	1	—	—	—
	L1L Frt.....	W	3130-1 EOL	1	—	—	—	—	—
	Rr.....	W	3224-5 EOL	1	—	—	—	—	—
	K1T, K2T, L1T, L2T, T2T, X2T Frt.....	R,W	3130-1 EOT	1	—	1	—	—	—
	Rr.....	R,W	3224-5 EOT	1	—	1	—	—	—
	D2X, L2X, T2X, X2X Frt.....	R,W	3130-1 EOX	1	—	1	—	—	—
	Rr.....	R,W	3224-5 EOX	1	—	1	—	—	—
	2 DOOR								
	M2B.....	R,W	3182-3 EOB	1	—	—	—	—	—
	M2T.....	R,W	3182-3 EOT	1	—	—	—	—	—
	M2S, M2X.....	R,W	3182-3 EOX	1	—	—	—	—	—
	H1B, H2B, M6B.....	R	3190-1 EOB	1	—	—	1	—	1

NOTE: A letter code in the carline column indicates the carline for which the part is released as follows:

CARLINES Indicate:	B - Barracuda	V - Valiant L - Dart	R - Belvedere W - Coronet	P - Plymouth D - Dodge	C - Chrysler Y - Imperial
--------------------	---------------	-------------------------	------------------------------	---------------------------	------------------------------

AR Indicates use as required.
★ Indicates change or addition.

Right and left part numbers are on same line,
first number is right, second number is left.

Printed in U.S.A.
January 1971

1969 PASSENGER CAR PARTS CATALOG

INTERIOR TRIM

CODE	PART NAME	CAR LINE	PART NUMBER	Sed.	4 D.H.T.	Sta. Wgn.	2 D.H.T.	Sp. 2 D.H.T.	Conv.
23-92-5	PANEL, Door Trim Cont'd.								
	H1G, H2G, M6G	R	3190-1 EOF	1	—	—	1	—	—
	H2S, M6S	R	3190-1 EOA	1	—	—	1	—	—
	H2T, M6T	R	3190-1 ETT	1	—	—	1	—	1
	H1X, H2X, M6X	R	3190-1 EOX	1	—	—	1	—	1
	H2C, H2F, H2H, H2W, M6C, M6F, M6H	R	3190-1 EOW	1	—	—	1	—	1
	F2Q	R	3190-1 EBQ	—	—	—	1	—	—
	4 DOOR								
	H1A Frt.	R	3176-7 EOY	1	—	—	—	—	—
	Rr.	R	3248-9 EOY	1	—	—	—	—	—
	H2B Frt.	R	3176-7 EOB	1	—	1	—	—	—
	Rr.	R	3248-9 EOB	1	—	1	—	—	—
	H1G, H2G Frt.	R	3176-7 EOF	1	—	1	—	—	—
	Rr.	R	3248-9 EOF	1	—	1	—	—	—
	H2S Frt.	R	3176-7 EOA	1	—	1	—	—	—
	Rr.	R	3248-9 EOA	1	—	1	—	—	—
	H1L, H2T Frt.	R	3176-7 ETT	1	—	1	—	—	—
	Rr.	R	3248-9 ETT	1	—	1	—	—	—
	H1X, H2X Frt.	R	3176-7 EOX	1	—	1	—	—	—
	Rr.	R	3248-9 EOX	1	—	1	—	—	—
	4 DOOR								
	P2S, P6S Frt.	R	3142-3 EOA	1	—	1	—	—	—
	Rr.	R	3220-1 EOA	1	—	1	—	—	—
	P2B, P3B, P6D Frt.	R	3142-3 EOB	1	—	1	—	—	—
	Rr.	R	3220-1 EOB	1	—	1	—	—	—
	P2G, P3G, P6G Frt.	R	3142-3 EOB	1	—	1	—	—	—
	Rr.	R	3220-1 EOB	1	—	1	—	—	—
	P2T, P3T, P6T Frt.	R	3142-3 EOT	1	—	1	—	—	—
	Rr.	R	3220-1 EOT	1	—	1	—	—	—
	P2X, P3X, P6X Frt.	R	3142-3 EOX	1	—	1	—	—	—
	Rr.	R	3220-1 EOX	1	—	1	—	—	—
	P2C, P2F, P2H, P6C, P6F, P6H Frt.	R	3142-3 EOW	1	—	1	—	—	—
	Rr.	R	3220-1 EOW	1	—	1	—	—	—
	P6S	R	3188-9 EOA	—	—	—	1	—	—
	P6D	R	3188-9 EOB	—	—	—	1	—	1
	P6G	R	3188-9 EOF	—	—	—	1	—	—
	P6R	R	3188-9 EOR	—	—	—	1	—	—
	P6T	R	3188-9 EOT	—	—	—	1	—	1
	P6X	R	3188-9 EOX	—	—	—	1	—	1
	P6C, P6F, P6H, P6V, P6W	R	3188-9 EOW	—	—	—	1	—	1
	E1B	P	3418-9 EOB	1	—	—	—	—	—
	E1L	P	3418-9 EOL	1	—	—	—	—	—
	K1T, K2T	P	3418-9 EOT	1	—	—	—	—	—
	E1B, E2B Frt.	P	3414-5 EOB	1	—	1	—	—	—
	Rr.	P	3270-1 EOB	1	—	1	—	—	—
	E1L, E2L Frt.	P	3414-5 EOL	1	—	1	—	—	—
	Rr.	P	3270-1 EOL	1	—	1	—	—	—
	E2R Frt.	P	3414-5 EOR	1	—	1	—	—	—
	Rr.	P	3270-1 EOR	1	—	1	—	—	—
	K1T, K2T frt.	P	3414-5 EOT	1	—	1	—	—	—
	Rr.	P	3270-1 EOT	—	—	1	—	—	—
	2 DOOR								
	L2B	P	3424-5 EOB	1	—	—	—	—	—
	L2T	P	3424-5 EOT	1	—	—	—	—	—
	L2X	P	3424-5 EOX	1	—	—	—	—	—
	L2B Frt.	P	3180-1 EOB	—	—	1	—	—	—
	Rr.	P	3274-5 EOB	—	—	1	—	—	—
	L2R Frt.	P	3180-1 EOR	—	—	1	—	—	—

NOTE: A letter code in the carline column indicates the carline for which the part is released as follows:

CARLINES Indicate:	V - Valiant	R - Belvedere	P - Plymouth	C - Chrysler
B - Barracuda	L - Dart	W - Coronet	D - Dodge	Y - Imperial

AR Indicates use as required.

★ Indicates change or addition.

Right and left part numbers are on same line,
first number is right, second number is left.

Printed in U.S.A.

January 1971

CODE	PART NAME	CAR LINE	PART NUMBER	Sed.	4 D.H.T.	Sta. Wgn.	2 D.H.T.	Sp. 2 D.H.T.	Conv.
23-92-5	PANEL, Door Trim Cont'd.								
	Rr.....	P	3274-5 EOR	—	—	1	—	—	—
L2T	Fr.....	P	3180-1 EOT	—	—	1	—	—	—
	Rr.....	P	3274-5 EOT	—	—	1	—	—	—
L2W	Fr.....	P	3180-1 EOW	—	—	1	—	—	—
	Rr.....	P	3274-5 EOW	—	—	1	—	—	—
L2X	Fr.....	P	3180-1 EOX	—	—	1	—	—	—
	Rr.....	P	3274-5 EOX	—	—	1	—	—	—
	4 DOOR								
L1B, L2B	Fr.....	P	3422-3 EOB	1	—	—	—	—	—
	Rr.....	P	3274-5 EOB	1	—	—	—	—	—
L1G	Fr.....	P	3422-3 EOF	1	—	—	—	—	—
	Rr.....	P	3274-5 EOF	1	—	—	—	—	—
L1L	Fr.....	P	3422-3 EOL	1	—	—	—	—	—
	Rr.....	P	3274-5 EOL	1	—	—	—	—	—
L2R	Fr.....	P	3422-3 EOR	1	—	—	—	—	—
	Rr.....	P	3274-5 EOR	1	—	—	—	—	—
	4 DOOR								
L2T	Fr.....	P	3422-3 EOT	1	—	—	—	—	—
	Rr.....	P	3274-5 EOT	1	—	—	—	—	—
L2W	Fr.....	P	3422-3 EOW	1	—	—	—	—	—
	Rr.....	P	3274-5 EOW	1	—	—	—	—	—
L2X	Fr.....	P	3422-3 EOX	1	—	—	—	—	—
	Rr.....	P	3274-5 EOX	1	—	—	—	—	—
M1D, M4D	Fr.....	P	3428-9 EBB	1	—	—	—	—	—
	Rr.....	P	3276-7 EBB	1	—	—	—	—	—
M1G, M4G	Fr.....	P	3428-9 EFF	1	—	—	—	—	—
	Rr.....	P	3276-7 EFF	1	—	—	—	—	—
M1L	Fr.....	P	3428-9 EOL	1	—	—	—	—	—
	Rr.....	P	3276-7 EOL	1	—	—	—	—	—
M1R	Fr.....	P	3428-9 EOR	1	—	—	—	—	—
	Rr.....	P	3276-7 EOR	1	—	—	—	—	—
M4S	Fr.....	P	3428-9 EOA	1	—	—	—	—	—
	Rr.....	P	3276-7 EOA	1	—	—	—	—	—
M4T	Fr.....	P	3428-9 ETT	1	—	—	—	—	—
	Rr.....	P	3276-7 ETT	1	—	—	—	—	—
M1X, M4X, M8X	Fr.....	P	3428-9 EOX	1	—	—	—	—	—
	Rr.....	P	3276-7 EOX	1	—	—	—	—	—
M4D	Fr.....	P	3400-1 EBB	—	—	1	—	—	—
	Rr.....	P	3276-7 EBB	—	—	1	—	—	—
M4G	Fr.....	P	3400-1 EFF	—	—	1	—	—	—
	Rr.....	P	3276-7 EFF	—	—	1	—	—	—
M4R	Fr.....	P	3400-1 EOR	—	—	1	—	—	—
	Rr.....	P	3276-7 EOR	—	—	1	—	—	—
M4S	Fr.....	P	3400-1 EOA	—	—	1	—	—	—
	Rr.....	P	3276-7 EOA	—	—	1	—	—	—
M4T	Fr.....	P	3400-1 ETT	—	—	1	—	—	—
	Rr.....	P	3276-7 ETT	—	—	1	—	—	—
M4X, M8X	Fr.....	P	3400-1 EOX	—	—	1	—	—	—
	Rr.....	P	3276-7 EOX	—	—	1	—	—	—
M1D, M4D	Fr.....	P	3430-1 EBB	—	1	—	—	—	—
	Rr.....	P	3278-9 EBB	—	1	—	—	—	—
M1G, M4G	Fr.....	P	3430-1 EFF	—	1	—	—	—	—
	Rr.....	P	3278-9 EFF	—	1	—	—	—	—
M4R	Fr.....	P	3430-1 EOR	—	1	—	—	—	—
	Rr.....	P	3278-9 EOR	—	1	—	—	—	—
M4S	Fr.....	P	3430-1 EOA	—	1	—	—	—	—
	Rr.....	P	3278-9 EOA	—	1	—	—	—	—

NOTE: A letter code in the carline column indicates the carline for which the part is released as follows:

CARLINES Indicate:	B - Barracuda	V - Valiant L - Dart	R - Belvedere W - Coronet	P - Plymouth D - Dodge	C - Chrysler Y - Imperial
--------------------	---------------	-------------------------	------------------------------	---------------------------	------------------------------

AR Indicates use as required.
★ Indicates change or addition.

Right and left part numbers are on same line,
first number is right, second number is left.

Printed in U.S.A.
January 1971

1969 PASSENGER CAR PARTS CATALOG

INTERIOR TRIM

CODE	PART NAME	CAR LINE	PART NUMBER	Sed.	4 D.H.T.	Stra. Wgn.	2 D.H.T.	Sp. 2 D.H.T.	Conv.
23-92-5	PANEL, Door Trim Cont'd.								
M4T	Frnt.....	P	3430-1 ETT	—	1	—	—	—	—
	Rr.....	P	3278-9 ETT	—	1	—	—	—	—
M1X, M4X, M8X	Frnt.....	P	3430-1 EOX	—	1	—	—	—	—
	Rr.....	P	3278-9 EOX	—	1	—	—	—	—
H1B, H2B	Frnt.....	W	3140-1 EB3	1	—	—	—	—	—
	Rr.....	W	3228-9 EB3	1	—	—	—	—	—
H1G	Frnt.....	W	3140-1 EF3	1	—	—	—	—	—
	Rr.....	W	3228-9 EF3	1	—	—	—	—	—
H1X, H2X	Frnt.....	W	3140-1 EOX	1	—	—	—	—	—
	Rr.....	W	3228-9 EOX	1	—	—	—	—	—
H1Y	Frnt.....	W	3140-1 EOY	1	—	—	—	—	—
	Rr.....	W	3228-9 EOY	1	—	—	—	—	—
H2T	Frnt.....	W	3140-1 EOT	1	—	—	—	—	—
	Rr.....	W	3228-9 EOT	1	—	—	—	—	—
	2 DOOR								
H2B	W	3144-5 EB3	1	—	—	1	—	—
H2R	W	3144-5 EOR	1	—	—	1	—	—
H2G	W	3144-5 EF3	1	—	—	1	—	—
H2T	W	3144-5 EOT	1	—	—	1	—	—
H2X	W	3144-5 EOX	1	—	—	1	—	—
H2C, H2F, H2W	W	3144-5 EOW	1	—	—	1	—	—
	2 DOOR								
E1D, E2D	Frnt.....	C	3102-3 EOB	—	1	—	—	—	—
	Rr.....	C	3202-3 EOB	—	1	—	—	—	—
E1G	Frnt.....	C	3102-3 EF3	—	1	—	—	—	—
	Rr.....	C	3202-3 EF3	—	1	—	—	—	—
E1L	Frnt.....	C	3102-3 EOL	—	1	—	—	—	—
	Rr.....	C	3202-3 EOL	—	1	—	—	—	—
E2T	Frnt.....	C	3102-3 EOT	—	1	—	—	—	—
	Rr.....	C	3202-3 EOT	—	1	—	—	—	—
E1X, E2X	Frnt.....	C	3102-3 EOX	—	1	—	—	—	—
	Rr.....	C	3202-3 EOX	—	1	—	—	—	—
E2Y	Frnt.....	C	3102-3 EOY	—	1	—	—	—	—
	Rr.....	C	3202-3 EOY	—	1	—	—	—	—
E1Q	Frnt.....	C	3102-3 EOQ	—	1	—	—	—	—
	Rr.....	C	3202-3 EOQ	—	1	—	—	—	—
E1D, E2D	C	3104-5 EOB	—	—	—	1	—	1
E1G	C	3104-5 EF3	—	—	—	1	—	1
E1L	C	3104-5 EOL	—	—	—	1	—	1
E2T, E6T	C	3104-5 EOT	—	—	—	1	—	1
E6W	C	3104-5 EOW	—	—	—	1	—	1
E1X, E2X, E6X	C	3104-5 EOX	—	—	—	1	—	1
E1Y, E2Y	C	3104-5 EOY	—	—	—	1	—	1
E1Q	C	3104-5 EOQ	—	—	—	1	—	1
P3D	Frnt.....	P	3156-7 EBB	—	1	—	—	—	—
	Rr.....	P	3250-1 EBB	—	1	—	—	—	—
P3G	Frnt.....	P	3156-7 EFF	—	1	—	—	—	—
	Rr.....	P	3250-1 EFF	—	1	—	—	—	—
P4T	Frnt.....	P	3156-7 ETT	—	1	—	—	—	—
	Rr.....	P	3250-1 ETT	—	1	—	—	—	—
P4W	Frnt.....	P	3156-7 EWX	—	1	—	—	—	—
	Rr.....	P	3250-1 EWX	—	1	—	—	—	—
P3X, P8X, PPX	Frnt.....	P	3156-7 EOX	—	1	—	—	—	—
	Rr.....	P	3250-1 EOX	—	1	—	—	—	—
M1D, M4D	P	3432-3 EBB	—	—	—	1	1	1
M1G, M4G	P	3432-3 EFF	—	—	—	1	1	—
M4R	P	3432-3 EOR	—	—	—	1	—	1

NOTE: A letter code in the carline column indicates the carline for which the part is released as follows:

CARLINES Indicate:	V - Valiant	R - Belvedere	P - Plymouth	C - Chrysler
B - Barracuda	L - Dart	W - Coronet	D - Dodge	Y - Imperial

AR Indicates use as required.
 ★ Indicates change or addition.

Right and left part numbers are on same line,
 first number is right, second number is left.

Printed in U.S.A.
 January 1971

CODE	PART NAME	CAR LINE	PART NUMBER	Sed.	4 D.H.T.	Sta. Wgn.	2 D.H.T.	Sp. 2 D.H.T.	Conv.
23-92-5	PANEL, Door Trim Cont'd.								
	M4S	P	3432-3 EOA	—	—	—	1	1	—
	M4T	P	3432-3 ETT	—	—	—	1	—	—
	M4W	P	3432-3 EOW	—	—	—	1	—	1
	M1X, M4X	P	3432-3 EOX	—	—	—	1	1	1
	P3D	P	3122-3 EBB	—	—	—	1	—	—
	P3G	P	3122-3 EFF	—	—	—	1	—	—
	P4T	P	3122-3 ETT	—	—	—	1	—	—
	P4W	P	3122-3 EWX	—	—	—	1	—	—
	P3X, P6X, P4N, PPX	P	3122-3 EOX	—	—	—	1	—	—
	H6D	P	3434-5 EOB	—	—	—	1	—	1
	H6G	P	3434-5 EOF	—	—	—	1	—	—
	H6X	P	3434-5 EOX	—	—	—	1	—	1
	H6R	P	3434-5 EOR	—	—	—	1	—	1
	2 DOOR								
	H6S	P	3434-5 EOA	—	—	—	1	1	—
	H6T	P	3434-5 EOT	—	—	—	1	—	—
	H6W	P	3434-5 EOW	—	—	—	1	—	1
	4 DOOR								
	X2B Frt. Canada	P	3414-5 EOB	1	—	—	—	—	—
	Rr. Canada	P	3270-1 EOB	1	—	—	—	—	—
	X2R Frt. Canada	P	3414-5 EOR	1	—	—	—	—	—
	Rr. Canada	P	3270-1 EOR	1	—	—	—	—	—
	X2T Frt. Canada	P	3414-5 EOT	1	—	—	—	—	—
	Rr. Canada	P	3270-1 EOT	1	—	—	—	—	—
	L1B, L2B Canada	P	3158-9 EOB	—	—	—	1	—	—
	L1G Canada	P	3158-9 EOF	—	—	—	1	—	—
	L1L Canada	P	3158-9 EOL	—	—	—	1	—	—
	L2R Canada	P	3158-9 EOR	—	—	—	1	—	—
	L2T Canada	P	3158-9 EOT	—	—	—	1	—	—
	L2X Canada	P	3158-9 EOX	—	—	—	1	—	—
	K2A Frt. Canada	D	3438-9 EAX	1	—	—	—	—	—
	Rr. Canada	D	3282-3 EAX	1	—	—	—	—	—
	2 DOOR								
	L1B	W	3132-3 EB7	1	—	—	—	—	—
	L1L	W	3132-3 EOL	1	—	—	—	—	—
	K1T, K2T	R,W	3132-3 EOT	1	—	—	—	—	—
	L1X	W	3132-3 EOX	1	—	—	—	—	—
	4 DOOR								
	H1B, H2B, D2D Frt.	W	3140-1 EB3	1	—	1	—	—	—
	Rr.	W	3228-9 EOB	1	—	1	—	—	—
	H1G, D2G Frt.	W	3140-1 EOF	1	—	1	—	—	—
	Rr.	W	3228-9 EOF	1	—	1	—	—	—
	H1L Frt.	W	3140-1 EOL	1	—	—	—	—	—
	Rr.	W	3228-9 EOL	1	—	—	—	—	—
	H2T, D2T Frt.	W	3140-1 EOT	1	—	1	—	—	—
	Rr.	W	3228-9 EOT	1	—	1	—	—	—
	H1X, H2X, D2X Frt.	W	3140-1 EOX	1	—	1	—	—	—
	Rr.	W	3228-9 EOX	1	—	1	—	—	—
	P2D, P3D, P6D Frt.	W	3124-5 EOB	1	—	1	—	—	—
	Rr.	W	3236-7 EOB	1	—	1	—	—	—
	P2G, P3G, P6G Frt.	W	3124-5 EOF	1	—	1	—	—	—
	Rr.	W	3236-7 EOF	1	—	1	—	—	—
	P2T, P6T Frt.	W	3124-5 EOT	—	—	1	—	—	—
	Rr.	W	3236-7 EOT	—	—	1	—	—	—
	P2X, P3X, P6X Frt.	W	3124-5 EOX	1	—	1	—	—	—
	Rr.	W	3236-7 EOX	1	—	1	—	—	—

NOTE: A letter code in the carline column indicates the carline for which the part is released as follows:

CARLINES Indicate:	V - Valiant	R - Belvedere	P - Plymouth	C - Chrysler
B - Barracuda	L - Dart	W - Coronet	D - Dodge	Y - Imperial

AR Indicates use as required.
 ★ Indicates change or addition.

Right and left part numbers are on same line,
 first number is right, second number is left.

Printed in U.S.A.
 January 1971

1969 PASSENGER CAR PARTS CATALOG

INTERIOR TRIM

CODE	PART NAME	CAR LINE	PART NUMBER	Sed.	4 D.H.T.	Sta. Wgn.	2 D.H.T.	Sp. 2 D.H.T.	Conv.
23-92-5	PANEL, Door Trim Cont'd.								
	P3Y								
	Frnt.....	W	3124-5 EOY	1	—	—	—	—	—
	Rr.....	W	3236-7 EOY	1	—	—	—	—	—
	2 DOOR								
	H2B.....	W	3144-5 EB3	1	—	—	1	—	—
	H2G.....	W	3144-5 EF3	1	—	—	1	—	—
	H2T.....	W	3144-5 EOT	1	—	—	1	—	—
	H2X.....	W	3144-5 EOX	1	—	—	1	—	—
	H2R.....	W	3144-5 EOR	1	—	—	1	—	—
	H2C, H2F, H2W.....	W	3144-5 EOW	1	—	—	1	—	—
	UPPER								
	CRD, C5D, C6D.....	W	3174-5 EB7	—	—	—	—	1	—
	CRG, C5G, C6G.....	W	3174-5 EF8	—	—	—	—	1	—
	C6R.....	W	3174-5 ER7	—	—	—	—	1	—
	CRT, C5T, C6T.....	W	3174-5 ET5	—	—	—	—	1	—
	CRX, C5X, C6X.....	W	3174-5 EX9	—	—	—	—	1	—
	C6W.....	W	3174-5 EW1	—	—	—	—	1	—
	LOWER								
	C5D, C6D.....	W	3490-1 EOB	—	—	—	—	1	—
	C5G, C6G.....	W	3490-1 EOF	—	—	—	—	1	—
	C6R.....	W	3490-1 EOR	—	—	—	—	1	—
	C5T, C6T.....	W	3490-1 EOT	—	—	—	—	1	—
	C5X, C6X.....	W	3490-1 EOW	—	—	—	—	1	—
	C6W.....	W	3490-1 EOX	—	—	—	—	1	—
	2 DOOR								
	M6B, P2D, P6D.....	W	3488-9 EOB	1	—	—	1	—	1
	M6G, P2G, P6G.....	W	3488-9 EOF	1	—	—	1	—	1
	M6R, P6R.....	W	3488-9 EOR	1	—	—	1	—	1
	M6T, P6T.....	W	3488-9 EOT	1	—	—	1	—	1
	M6X, P2X, P6X.....	W	3488-9 EOX	1	—	—	1	—	1
	M6C, M6F, M6W, P6C, P6F, P6V, P2W, P6W.....	W	3488-9 EOW	1	—	—	1	—	1
	L1B, L2B								
	Frnt.....	D	3458'9 EBB	—	1	—	—	—	—
	Rr.....	D	3288-9 EBB	—	1	—	—	—	—
	L1G, L2G								
	Frnt.....	D	3458-9 EFF	—	1	—	—	—	—
	Rr.....	D	3288-9 EFF	—	1	—	—	—	—
	L2T								
	Frnt.....	D	3458-9 ETT	—	1	—	—	—	—
	Rr.....	D	3288-9 ETT	—	1	—	—	—	—
	L2W								
	Frnt.....	D	3458-9 EOW	—	1	—	—	—	—
	Rr.....	D	3288-9 EOW	—	1	—	—	—	—
	L1X, L2X								
	Frnt.....	D	3458-9 EOX	—	1	—	—	—	—
	Rr.....	D	3288-9 EOX	—	1	—	—	—	—
	L1Y								
	Frnt.....	D	3458-9 EOY	—	1	—	—	—	—
	Rr.....	D	3288-9 EOY	—	1	—	—	—	—
	L1B, L2B								
	Frnt.....	D	3438-9 EBB	1	—	1	—	—	—
	Rr.....	D	3282-3 EBB	1	—	1	—	—	—
	L1G, L2G								
	Frnt.....	D	3438-9 EFF	1	—	1	—	—	—
	Rr.....	D	3282-3 EFF	1	—	1	—	—	—
	L2T								
	Frnt.....	D	3438-9 ETT	1	—	1	—	—	—
	Rr.....	D	3282-3 ETT	1	—	1	—	—	—
	L1X, L2X								
	Frnt.....	D	3438-9 EOX	1	—	1	—	—	—
	Rr.....	D	3282-3 EOX	1	—	1	—	—	—
	L1Y								
	Frnt.....	D	3438-9 EOY	1	—	1	—	—	—
	Rr.....	D	3282-3 EOY	1	—	1	—	—	—
	K1A, K2A								
	Frnt.....	D	3438-9 EAX	1	—	—	—	—	—
	Rr.....	D	3282-3 EAX	1	—	—	—	—	—
	H1B, H7B								
	Frnt.....	D	3118-9 EBB	1	—	—	—	—	—
	Rr.....	D	3218-9 EBB	1	—	—	—	—	—

NOTE: A letter code in the carline column indicates the carline for which the part is released as follows:

CARLINES Indicate:	B - Barracuda	V - Valiant	R - Belvedere	P - Plymouth	C - Chrysler
		L - Dart	W - Coronet	D - Dodge	Y - Imperial

AR Indicates use as required.
 ★ Indicates change or addition.

Right and left part numbers are on same line,
 first number is right, second number is left.

Printed in U.S.A.
 January 1971

CODE	PART NAME	CAR LINE	PART NUMBER	Sed.	4 D.H.T.	Sta. Wgn.	2 D.H.T.	Sp. 2 D.H.T.	Conv.
23-92-5	PANEL, Door Trim Cont'd.								
	H1G, H7G	Fr.	D	3118-9 EFF	1	—	—	—	—
		Rr.	D	3218-9 EFF	1	—	—	—	—
	H1L	Fr.	D	3118-9 ELY	1	—	—	—	—
		Rr.	D	3218-9 ELY	1	—	—	—	—
	H1Y	Fr.	D	3118-9 EYY	1	—	—	—	—
		Rr.	D	3218-9 EYY	1	—	—	—	—
	H1X, H7X	Fr.	D	3118-9 EOX	1	—	—	—	—
		Rr.	D	3218-9 EOX	1	—	—	—	—
	H4D	Fr.	D	3448-9 EBB	—	1	—	—	—
		Rr.	D	3286-7 EBB	—	1	—	—	—
	H4G, H6G	Fr.	D	3448-9 EFF	—	1	—	—	—
		Rr.	D	3286-7 EFF	—	1	—	—	—
	H4T	Fr.	D	3448-9 ETT	—	1	—	—	—
		Rr.	D	3286-7 ETT	—	1	—	—	—
	H6W	Fr.	D	3448-9 EWX	—	1	—	—	—
		Rr.	D	3286-7 EWX	—	1	—	—	—
	H4X, H6X	Fr.	D	3448-9 EXX	—	1	—	—	—
		Rr.	D	3286-7 EXX	—	1	—	—	—
	H4Y, H6Y	Fr.	D	3448-9 EOY	—	1	—	—	—
		Rr.	D	3286-7 EOY	—	1	—	—	—
	H4D	Fr.	D	3116-7 EBB	—	—	1	—	—
		Rr.	D	3204-5 EBB	—	—	1	—	—
	H4G	Fr.	D	3116-7 EFF	—	—	1	—	—
		Rr.	D	3204-5 EFF	—	—	1	—	—
	H4T, H8T	Fr.	D	3116-7 ETT	—	—	1	—	—
		Rr.	D	3204-5 ETT	—	—	1	—	—
	H4X, H8X	Fr.	D	3116-7 EXX	—	—	1	—	—
		Rr.	D	3204-5 EXX	—	—	1	—	—
	H4H	Fr.	D	3116-7 EHH	—	—	1	—	—
		Rr.	D	3204-5 EHH	—	—	1	—	—
	H4D	Fr.	D	3454-5 EBB	—	—	—	1	—
	H4G, H6G	Fr.	D	3454-5 EFF	—	—	—	1	—
	H4T	Fr.	D	3454-5 ETT	—	—	—	1	—
	H6W	Fr.	D	3454-5 EWX	—	—	—	1	—
	H4X, H6X	Fr.	D	3454-5 EXX	—	—	—	1	—
	H4Y, H6Y	Fr.	D	3454-5 EOY	—	—	—	1	—
	H7B	Fr.	D	3456-7 EBB	—	1	—	—	—
		Rr.	D	3222-3 EBB	—	1	—	—	—
	H7G	Fr.	D	3456-7 EFF	—	1	—	—	—
		Rr.	D	3222-3 EFF	—	1	—	—	—
	H7X	Fr.	D	3456-7 EOX	—	1	—	—	—
		Rr.	D	3222-3 EOX	—	1	—	—	—
	L1B, L2B, M6B	Fr.	D	3460-1 EBB	—	—	—	1	1
	L1G, L2G, M6G	Fr.	D	3460-1 EFF	—	—	—	1	1
	L2T, M6T	Fr.	D	3460-1 ETT	—	—	—	1	—
	L2W, M6W	Fr.	D	3460-1 EOW	—	—	—	1	1
	L1X, L2X, M6X	Fr.	D	3460-1 EOX	—	—	—	1	1
	L1Y	Fr.	D	3460-1 EOY	—	—	—	1	1
	L1B, L2B, X2B	Fr. Canada	D	3192-3 EOB	1	—	1	—	—
		Rr. Canada	D	3290-1 EOB	1	—	1	—	—
	L1L, L2L	Fr. Canada	D	3192-3 EOL	1	—	1	—	—
		Rr. Canada	D	3290-1 EOL	1	—	1	—	—
	L2R, X2R	Fr. Canada	D	3192-3 EOR	1	—	1	—	—
		Rr. Canada	D	3290-1 EOR	1	—	1	—	—
	X2T	Fr. Canada	D	3192-3 EOT	1	—	—	—	—
		Rr. Canada	D	3290-1 EOT	1	—	—	—	—

NOTE: A letter code in the carline column indicates the carline for which the part is released as follows:

CARLINES Indicate:	V - Valiant	R - Belvedere	P - Plymouth	C - Chrysler
B - Barracuda	L - Dart	W - Coronet	D - Dodge	Y - Imperial

AR Indicates use as required.
 ★ Indicates change or addition.

Right and left part numbers are on same line,
 first number is right, second number is left.

Printed in U.S.A.
 January 1971

1969 PASSENGER CAR PARTS CATALOG

INTERIOR TRIM

CODE	PART NAME	CAR LINE	PART NUMBER	Sed.	4 D.H.T.	Sta. Wgn.	2 D.H.T.	Sp. 2 D.H.T.	Conv.
23-92-5	PANEL, Door Trim Cont'd.								
M1B, M2B	Frnt. Canada	D	3128-9 EOB	1	—	1	—	—	—
	Rr. Canada	D	3274-5 EOB	1	—	1	—	—	—
M1G	Frnt. Canada	D	3128-9 EOF	1	—	1	—	—	—
	Rr. Canada	D	3274-5 EOF	1	—	1	—	—	—
M1L	Frnt. Canada	D	3128-9 EOL	1	—	1	—	—	—
	Rr. Canada	D	3274-5 EOL	1	—	1	—	—	—
M2R	Frnt. Canada	D	3128-9 EOR	1	—	1	—	—	—
	Rr. Canada	D	3274-5 EOR	1	—	1	—	—	—
M2T	Frnt. Canada	D	3128-9 EOT	1	—	1	—	—	—
	Rr. Canada	D	3274-5 EOT	1	—	1	—	—	—
M2W	Frnt. Canada	D	3128-9 EOW	—	—	1	—	—	—
	Rr. Canada	D	3274-5 EOW	—	—	1	—	—	—
M2X	Frnt. Canada	D	3128-9 EOX	1	—	1	—	—	—
	Rr. Canada	D	3274-5 EOX	1	—	1	—	—	—
H1D, H4D	Frnt. Canada	D	3178-9 EBB	1	—	1	—	—	—
	Rr. Canada	D	3276-7 EBB	1	—	1	—	—	—
H1G, H4G	Frnt. Canada	D	3178-9 EFF	1	—	1	—	—	—
	Rr. Canada	D	3276-7 EFF	1	—	1	—	—	—
H1L	Frnt. Canada	D	3178-9 EOL	1	—	—	—	—	—
	Rr. Canada	D	3276-7 EOL	1	—	—	—	—	—
H1R, H4R	Frnt. Canada	D	3178-9 EOR	1	—	1	—	—	—
	Rr. Canada	D	3276-7 EOR	1	—	1	—	—	—
H4S	Frnt. Canada	D	3178-9 EOA	1	—	1	—	—	—
	Rr. Canada	D	3276-7 EOA	1	—	1	—	—	—
H4T	Frnt. Canada	D	3178-9 ETT	1	—	1	—	—	—
	Rr. Canada	D	3276-7 ETT	1	—	1	—	—	—
H1X, H4X, H8X	Frnt. Canada	D	3178-9 EOX	1	—	1	—	—	—
	Rr. Canada	D	3276-7 EOX	1	—	1	—	—	—
S7B	Frnt. Canada	D	3118-9 EBB	1	—	—	—	—	—
	Rr. Canada	D	3218-9 EBB	1	—	—	—	—	—
S7G	Frnt. Canada	D	3118-9 EFF	1	—	—	—	—	—
	Rr. Canada	D	3218-9 EFF	1	—	—	—	—	—
S7X	Frnt. Canada	D	3118-9 EOX	1	—	—	—	—	—
	Rr. Canada	D	3218-9 EOX	1	—	—	—	—	—
H1D, H4D	Frnt. Canada	D	3114-5 EBB	—	1	—	—	—	—
	Rr. Canada	D	3278-9 EBB	—	1	—	—	—	—
H1G, H4G	Frnt. Canada	D	3114-5 EFF	—	1	—	—	—	—
	Rr. Canada	D	3278-9 EFF	—	1	—	—	—	—
H4R	Frnt. Canada	D	3114-5 EOR	—	1	—	—	—	—
	Rr. Canada	D	3278-9 EOR	—	1	—	—	—	—
H4S	Frnt. Canada	D	3114-5 EOA	—	1	—	—	—	—
	Rr. Canada	D	3278-9 EOA	—	1	—	—	—	—
H4T	Frnt. Canada	D	3114-5 ETT	—	1	—	—	—	—
	Rr. Canada	D	3278-9 ETT	—	1	—	—	—	—
H1X, H4X, H8X	Frnt. Canada	D	3114-5 EOX	—	1	—	—	—	—
	Rr. Canada	D	3278-9 EOX	—	1	—	—	—	—
S7B	Frnt. Canada	D	3456-7 EBB	—	1	—	—	—	—
	Rr. Canada	D	3222-3 EBB	—	1	—	—	—	—
S7G	Frnt. Canada	D	3456-7 EFF	—	1	—	—	—	—
	Rr. Canada	D	3222-3 EFF	—	1	—	—	—	—
S7X	Frnt. Canada	D	3456-7 EXX	—	1	—	—	—	—
	Rr. Canada	D	3222-3 EXX	—	1	—	—	—	—
M1B, M2B	Frnt. Canada	D	3112-3 EOB	—	—	—	1	—	—
M1G	Canada	D	3112-3 EOF	—	—	—	1	—	—
M1L	Canada	D	3112-3 EOL	—	—	—	1	—	—
M2R	Canada	D	3112-3 EOR	—	—	—	1	—	—
M2T	Canada	D	3112-3 EOT	—	—	—	1	—	—

NOTE: A letter code in the carline column indicates the carline for which the part is released as follows.

CARLINES Indicate:	B - Barracuda	V - Valiant	R - Belvedere	P - Plymouth	C - Chrysler
		L - Dart	W - Coronet	D - Dodge	Y - Imperial

AR Indicates use as required.

★ Indicates change or addition.

Right and left part numbers are on same line,
first number is right, second number is left.

Printed in U.S.A.

January 1971

CODE	PART NAME	CAR LINE	PART NUMBER	Sed.	4 D.H.T.	Sta. Wgn.	2 D.H.T.	Sp. 2 D.H.T.	Conv.
23-92-5	PANEL, Door Trim Cont'd.								
M2X	Canada	D	3112-3 EOX	—	—	—	—	—	—
H1D, H4D	Canada	D	3166-7 EBB	—	—	—	—	—	—
H1G, H4G	Canada	D	3166-7 EFF	—	—	—	—	—	—
H4R	Canada	D	3166-7 EOR	—	—	—	—	—	—
H4S	Canada	D	3166-7 EOA	—	—	—	—	—	—
H4T	Canada	D	3166-7 ETT	—	—	—	—	—	—
H4W	Canada	D	3166-7 EOW	—	—	—	—	—	—
H1X, H4X	Canada	D	3166-7 EOX	—	—	—	—	—	—
P6D	Canada	D	3172-3 EOB	—	—	—	—	—	—
P6G	Canada	D	3172-3 EOF	—	—	—	—	—	—
P6R	Canada	D	3172-3 EOR	—	—	—	—	—	—
P6S	Canada	D	3172-3 EOA	—	—	—	—	—	—
P6T	Canada	D	3172-3 EOT	—	—	—	—	—	—
P6W	Canada	D	3172-3 EOW	—	—	—	—	—	—
P6X	Canada	D	3172-3 EOX	—	—	—	—	—	—
E1D, E2D	Frnt.	C	3100-1 EOB	1	—	—	—	—	—
	Rr.	C	3200-1 EOB	1	—	—	—	—	—
E1G	Frnt.	C	3100-1 EF3	1	—	—	—	—	—
	Rr.	C	3200-1 EF3	1	—	—	—	—	—
E1L	Frnt.	C	3100-1 EOL	1	—	—	—	—	—
	Rr.	C	3200-1 EOL	1	—	—	—	—	—
E1Q	Frnt.	C	3100-1 EOQ	1	—	—	—	—	—
	Rr.	C	3200-1 EOQ	1	—	—	—	—	—
E1X, E2X	Frnt.	C	3100-1 EOX	1	—	—	—	—	—
	Rr.	C	3200-1 EOX	1	—	—	—	—	—
E2Y	Frnt.	C	3100-1 EOY	1	—	—	—	—	—
	Rr.	C	3200-1 EOY	1	—	—	—	—	—
E4D	Frnt.	C	3100-1 EOB	—	—	1	—	—	—
	Rr.	C	3230-1 EOB	—	—	1	—	—	—
E4E	Frnt.	C	3100-1 EOE	—	—	1	—	—	—
	Rr.	C	3230-1 EOE	—	—	1	—	—	—
E4G, E8G	Frnt.	C	3100-1 EF8	—	—	1	—	—	—
	Rr.	C	3230-1 EF8	—	—	1	—	—	—
E7L	Frnt.	C	3100-1 EOL	—	—	1	—	—	—
	Rr.	C	3230-1 EOL	—	—	1	—	—	—
E4T	Frnt.	C	3100-1 EOT	—	—	1	—	—	—
	Rr.	C	3230-1 EOT	—	—	1	—	—	—
E4X, E8X	Frnt.	C	3100-1 EOX	—	—	1	—	—	—
	Rr.	C	3230-1 EOX	—	—	1	—	—	—
E1D, E2D		C	3104-5 EOB	—	—	—	1	—	1
E1G		C	3104-5 EF3	—	—	—	1	—	—
E1L		C	3104-5 EOL	—	—	—	1	—	—
E1Q		C	3104-5 EOQ	—	—	—	1	—	—
E2T, E6T		C	3104-5 EOT	—	—	—	1	—	1
E6W		C	3104-5 EOW	—	—	—	1	—	1
E1X, E2X, E6X		C	3104-5 EOX	—	—	—	1	—	1
E2Y		C	3104-5 EOY	—	—	—	1	—	1
L3D, L4D	Frnt.	C	3126-7 EOB	1	—	—	—	—	—
	Rr.	C	3208-9 EOB	1	—	—	—	—	—
L7E, L4E	Frnt.	C	3126-7 EOE	1	—	—	—	—	—
	Rr.	C	3208-9 EOE	1	—	—	—	—	—
L3G	Frnt.	C	3126-7 EOF	1	—	—	—	—	—
	Rr.	C	3208-9 EOF	1	—	—	—	—	—
L7L	Frnt.	C	3126-7 EOL	1	—	—	—	—	—
	Rr.	C	3208-9 EOL	1	—	—	—	—	—
L3Q	Frnt.	C	3126-7 EOQ	1	—	—	—	—	—
	Rr.	C	3208-9 EOQ	1	—	—	—	—	—

NOTE: A letter code in the carline column indicates the carline for which the part is released as follows:

CARLINES Indicate:	V - Valiant	R - Belvedere	P - Plymouth	C - Chrysler
B - Barracuda	L - Dart	W - Coronet	D - Dodge	Y - Imperial

AR Indicates use as required.
 ★ Indicates change or addition.

Right and left part numbers are on same line,
 first number is right, second number is left.

Printed in U.S.A.
 January 1971

1969 PASSENGER CAR PARTS CATALOG

INTERIOR TRIM

CODE	PART NAME	CAR LINE	PART NUMBER	Sed.	4 D.H.T.	Sta. Wgn.	2 D.H.T.	Sp. 2 D.H.T.	Conv.
23-92-5	PANEL, Door Trim Cont'd.								
	L3X, L4X, L8X	Frnt.	C	3126-7 EOX	1	—	—	—	—
		Rr.	C	3208-9 EOX	1	—	—	—	—
	L3Y	Frnt.	C	3126-7 EOY	1	—	—	—	—
		Rr.	C	3208-9 EOY	1	—	—	—	—
	L3D, L4D	Frnt.	C	3134-5 EOB	—	1	—	—	—
		Rr.	C	3210-1 EOB	—	1	—	—	—
	L7E, L4E	Frnt.	C	3134-5 EOE	—	1	—	—	—
		Rr.	C	3210-1 EOE	—	1	—	—	—
	L3G	Frnt.	C	3134-5 EOF	—	1	—	—	—
		Rr.	C	3210-1 EOF	—	1	—	—	—
	L7L	Frnt.	C	3134-5 EOL	—	1	—	—	—
		Rr.	C	3210-1 EOL	—	1	—	—	—
	L3Q	Frnt.	C	3134-5 EOO	—	1	—	—	—
		Rr.	C	3210-1 EOO	—	1	—	—	—
	L3X, L4X, L8X	Frnt.	C	3134-5 EOX	—	1	—	—	—
		Rr.	C	3210-1 EOX	—	1	—	—	—
	L3Y	Frnt.	C	3134-5 EOY	—	1	—	—	—
		Rr.	C	3210-1 EOY	—	1	—	—	—
	L3D, L4D	Frnt.	C	3138-9 EOB	—	—	1	—	—
	L3G, L6G	Frnt.	C	3138-9 EOF	—	—	1	—	—
	L5L	Frnt.	C	3138-9 EOL	—	—	1	—	—
	L3Q	Frnt.	C	3138-9 EOQ	—	—	1	—	—
	L6T	Frnt.	C	3138-9 EOT	—	—	1	—	—
	L6W	Frnt.	C	3138-9 EOW	—	—	1	—	—
	L3X, L4X, L6X	Frnt.	C	3138-9 EOX	—	—	1	—	—
	L3Y	Frnt.	C	3138-9 EOY	—	—	1	—	—
	L3E, L4E	Frnt.	C	3138-9 EOE	—	—	1	—	—
	E1D, E2D	Frnt.	C	3102-3 EOB	—	1	—	—	—
		Rr.	C	3202-3 EOB	—	1	—	—	—
	E1G	Frnt.	C	3102-3 EF3	—	1	—	—	—
		Rr.	C	3202-3 EF3	—	1	—	—	—
	E1L	Frnt.	C	3102-3 EOL	—	1	—	—	—
		Rr.	C	3202-3 EOL	—	1	—	—	—
	E1Q	Frnt.	C	3102-3 EQQ	—	1	—	—	—
		Rr.	C	3202-3 EQQ	—	1	—	—	—
	E1T	Frnt.	C	3102-3 EOT	—	1	—	—	—
		Rr.	C	3202-3 EOT	—	1	—	—	—
	E1X, E2X	Frnt.	C	3102-3 EOX	—	1	—	—	—
		Rr.	C	3202-3 EOX	—	1	—	—	—
	E2Y	Frnt.	C	3102-3 EOY	—	1	—	—	—
		Rr.	C	3202-3 EOY	—	1	—	—	—
	M4D, M6D	Frnt.	C	3106-7 EOB	—	1	—	—	—
		Rr.	C	3206-7 EOB	—	1	—	—	—
	M4E	Frnt.	C	3106-7 EOE	—	1	—	—	—
		Rr.	C	3206-7 EOE	—	1	—	—	—
	M3G, M6G	Frnt.	C	3106-7 EOF	—	1	—	—	—
		Rr.	C	3206-7 EOF	—	1	—	—	—
	M5L	Frnt.	C	3106-7 EOL	—	1	—	—	—
		Rr.	C	3206-7 EOL	—	1	—	—	—
	M6T	Frnt.	C	3106-7 EOT	—	1	—	—	—
		Rr.	C	3206-7 EOT	—	1	—	—	—
	M6W	Frnt.	C	3106-7 EOW	—	1	—	—	—
		Rr.	C	3206-7 EOW	—	1	—	—	—
	M3X, M4X, M6X	Frnt.	C	3106-7 EOX	—	1	—	—	—
		Rr.	C	3206-7 EOX	—	1	—	—	—
	M3Y	Frnt.	C	3106-7 EOY	—	1	—	—	—
		Rr.	C	3206-7 EOY	—	1	—	—	—

NOTE: A letter code in the carline column indicates the carline for which the part is released as follows:

CARLINES Indicate: B - Barracuda V - Valiant R - Belvedere P - Plymouth C - Chrysler
 L - Dart W - Coronet D - Dodge Y - Imperial

AR Indicates use as required.

★ Indicates change or addition.

Right and left part numbers are on same line,
 first number is right, second number is left.

Printed in U.S.A.
 January 1971

CODE	PART NAME	CAR LINE	PART NUMBER	Sed.	4 D.H.T.	Sta. Wgn.	2 D.H.T.	Sp. 2 D.H.T.	Conv.
23-92-5	PANEL, Door Trim Cont'd.								
	M4D, M6D	C	3108-9 EOB	—	—	—	1	—	1
	M4E	C	3108-9 EOE	—	—	—	1	—	—
	M3G, M6G	C	3108-9 EOF	—	—	—	1	—	1
	M5L	C	3108-9 EOL	—	—	—	1	—	—
	M6T	C	3108-9 EOT	—	—	—	1	—	—
	M6W	C	3108-9 EOW	—	—	—	1	—	—
	M3X, M4X, M6X	C	3108-9 EOX	—	—	—	1	—	—
	M3Y	C	3108-9 EOY	—	—	—	1	—	—
	H1D, H7D	C	3136-7 EOB	1	—	—	—	—	—
		C	3254-5 EOB	1	—	—	—	—	—
	H7E	C	3136-7 EOE	1	—	—	—	—	—
		C	3254-5 EOE	1	—	—	—	—	—
	H1G	C	3136-7 EOF	1	—	—	—	—	—
		C	3254-5 EOF	1	—	—	—	—	—
	H7L	C	3136-7 ELY	1	—	—	—	—	—
		C	3254-5 ELY	1	—	—	—	—	—
	H1Q	C	3136-7 EQQ	1	—	—	—	—	—
		C	3254-5 EQQ	1	—	—	—	—	—
	HST	C	3136-7 ETT	1	—	—	—	—	—
		C	3254-5 ETT	1	—	—	—	—	—
	H1X, H8X	C	3136-7 EOX	1	—	—	—	—	—
		C	3254-5 EOX	1	—	—	—	—	—
	H1Y	C	3136-7 EOY	1	—	—	—	—	—
		C	3254-5 EOY	1	—	—	—	—	—
	H1D, H7D	C	3148-9 EOB	—	1	—	—	—	—
		C	3244-5 EOB	—	1	—	—	—	—
	H7E	C	3148-9 EOE	—	1	—	—	—	—
		C	3244-5 EOE	—	1	—	—	—	—
	H1G	C	3148-9 EOF	—	1	—	—	—	—
		C	3244-5 EOF	—	1	—	—	—	—
	H7L, H8L	C	3148-9 ELY	—	1	—	—	—	—
		C	3244-5 ELY	—	1	—	—	—	—
	H1Q	C	3148-9 EQQ	—	1	—	—	—	—
		C	3244-5 EQQ	—	1	—	—	—	—
	HST	C	3148-9 ETT	—	1	—	—	—	—
		C	3244-5 ETT	—	1	—	—	—	—
	H1X, HSX, H8X	C	3148-9 EOX	—	1	—	—	—	—
		C	3244-5 EOX	—	1	—	—	—	—
	H1Y	C	3148-9 EOY	—	1	—	—	—	—
		C	3244-5 EOY	—	1	—	—	—	—
	H3D, H6D	C	3196-7 EOB	—	—	—	1	—	—
	H3G	C	3196-7 EOF	—	—	—	1	—	—
	H3Q	C	3196-7 EQQ	—	—	—	1	—	—
	H6T	C	3196-7 ETT	—	—	—	1	—	—
	H6W	C	3196-7 EWX	—	—	—	1	—	—
	H3X, H6X	C	3196-7 EOX	—	—	—	1	—	—
	H3Y	C	3196-7 EOY	—	—	—	1	—	—
	D1D, M1D	Y	3412-3 EOB	1	—	—	—	—	—
		Y	3258-9 EOB	1	—	—	—	—	—
	D1G, M1G	Y	3412-3 EFF	1	—	—	—	—	—
		Y	3258-9 EFF	1	—	—	—	—	—
	D1K, M1K	Y	3412-3 ETT	1	—	—	—	—	—
		Y	3258-9 ETT	1	—	—	—	—	—
	D1M, M1M	Y	3412-3 EOM	1	—	—	—	—	—
		Y	3258-9 EOM	1	—	—	—	—	—
	D1Q, M1Q	Y	3412-3 EQQ	1	—	—	—	—	—
		Y	3258-9 EQQ	1	—	—	—	—	—

NOTE: A letter code in the carline column indicates the carline for which the part is released as follows:

CARLINES Indicate:	V - Valiant	R - Belvedere	P - Plymouth	C - Chrysler
B - Barracuda	L - Dart	W - Coronet	D - Dodge	Y - Imperial

AR Indicates use as required.
 ★ Indicates change or addition.

Right and left part numbers are on same line,
 first number is right, second number is left.

Printed in U.S.A.
 January 1971

1969 PASSENGER CAR PARTS CATALOG

INTERIOR TRIM

CODE	PART NAME	CAR LINE	PART NUMBER	Sed.	4 D.H.T.	Sta. Wgn.	2 D.H.T.	Sp. 2 D.H.T.	Conv.
23-92-5	PANEL, Door Trim Cont'd.								
	D1X, MIX	Frnt.	Y	3412-3 EOX	1	—	—	—	—
		Rr.	Y	3258-9 EOX	1	—	—	—	—
	MSB	Frnt.	Y	3462-3 EBB	—	1	—	—	—
		Rr.	Y	3266-7 EBB	—	1	—	—	—
	MDD, MSD	Frnt.	Y	3462-3 EOB	—	1	—	—	—
		Rr.	Y	3266-7 EOB	—	1	—	—	—
	MDG, MSG	Frnt.	Y	3462-3 EOF	—	1	—	—	—
		Rr.	Y	3266-7 EOF	—	1	—	—	—
	MDK	Frnt.	Y	3462-3 ETT	—	1	—	—	—
		Rr.	Y	3266-7 ETT	—	1	—	—	—
	MDM	Frnt.	Y	3462-3 EOM	—	1	—	—	—
		Rr.	Y	3266-7 EOM	—	1	—	—	—
	MSN	Frnt.	Y	3462-3 EYX	—	1	—	—	—
		Rr.	Y	3266-7 EYX	—	1	—	—	—
	MDQ	Frnt.	Y	3462-3 EQQ	—	1	—	—	—
		Rr.	Y	3266-7 EQQ	—	1	—	—	—
	D1D	Frnt.	Y	3294-5 EOB	—	1	—	—	—
		Rr.	Y	3256-7 EOB	—	1	—	—	—
	D1G	Frnt.	Y	3294-5 EOF	—	1	—	—	—
		Rr.	Y	3256-7 EOF	—	1	—	—	—
	D1K	Frnt.	Y	3294-5 ETT	—	1	—	—	—
	DIK	Frnt.	Y	3494 EOM	—	1	—	—	—
		Rr.	Y	3256-7 EOM	—	1	—	—	—
		Rr.	Y	3256-7 ETT	—	1	—	—	—
	D1Q	Frnt.	Y	3294-5 EQQ	—	1	—	—	—
		Rr.	Y	3256-7 EQQ	—	1	—	—	—
	D1X	Frnt.	Y	3294-5 EOX	—	1	—	—	—
		Rr.	Y	3256-7 EOX	—	1	—	—	—
		Rr.	Y	3266-7 ERR	—	1	—	—	—
	MST	Frnt.	Y	3462-3 EOT	—	1	—	—	—
		Rr.	Y	3266-7 EOT	—	1	—	—	—
	MSW	Frnt.	Y	3462-3 EWX	—	1	—	—	—
		Rr.	Y	3266-7 EWX	—	1	—	—	—
	MSX, MDX	Frnt.	Y	3462-3 EOX	—	1	—	—	—
		Rr.	Y	3266-7 EOX	—	1	—	—	—
	MSY	Frnt.	Y	3462-3 EYY	—	1	—	—	—
		Rr.	Y	3266-7 EYY	—	1	—	—	—
	MRB	Y	3464-5 EBB	—	—	1	—	—
	MBD	Y	3464-5 EOB	—	—	1	—	—
	MRG, MBG	Y	3464-5 EOP	—	—	1	—	—
	MBK	Y	3464-5 ETT	—	—	1	—	—
	MBQ	Y	3464-5 EQQ	—	—	1	—	—
	MRT	Y	3464-5 EOT	—	—	1	—	—
	MRW	Y	3464-5 EWX	—	—	1	—	—
	MRX, MBX	Y	3464-5 EOX	—	—	1	—	—
	MBM	Y	3464-5 EOM	—	—	1	—	—
23-92-8	FASTENER Door Trim Panel	V,B,L,R, W,D,C,Y		1623 945	AR	AR	AR	AR	AR
	Door Upr. Trm. Pnl. at Belt	W		6002 124	—	—	—	10	—
23-93-8	STRIP, Tailgate Header to Headlining Anti-Rattle	R,W		2602 924	—	—	2	—	—
23-93-9	PANEL, Rear Window Header Trim N.Y. TAXI TYPE HEADLINING T2X	W		3599 EX9	1	—	—	—	—

NOTE: A letter code in the carline column indicates the carline for which the part is released as follows:

CARLINES Indicate: B - Barracuda V - Valiant R - Belvedere P - Plymouth C - Chrysler
L - Dart W - Coronet D - Dodge Y - Imperial

AR Indicates use as required.
★ Indicates change or addition.

Right and left part numbers are on same line,
first number is right, second number is left.

Printed in U.S.A.
January 1971

CODE	PART NAME	CAR LINE	PART NUMBER	Sed.	4 D.H.T.	Sta. Wgn.	2 D.H.T.	Sp. 2 D.H.T.	Conv.
23-93-15	PANEL, Windshield Header Trim N.Y. Taxi type hd-lining T2X.....	W	3598 EX9	1	—	—	—	—	—
23-96-3	PANEL, Luggage Compartment Front Lining CODES	V,B,L	2787 855	1	—	—	—	—	—
		R,W	2656 272	1	—	—	1	1	—
		B	2841 492	—	—	—	—	1	—
	Rr. Compt. Security Panel w/Fold Down Rr. Seat Back.....	B	4858 DX8	—	—	—	—	1	—
	RR. COMPT. SECURITY PANEL COVER								
	L2B, H4C, H4B, H6B, H6C, D6B.....	B	2951 EB9	—	—	—	—	1	—
	H4F, H6F, H6G, D6G, D6J.....	B	2951 EF9	—	—	—	—	1	—
	L2R, H4V, H6R, H6V, D6R.....	B	2951 ER6	—	—	—	—	1	—
	D6T.....	B	2951 ET8	—	—	—	—	1	—
	L2X, H4W, H4X, H6W, H6X, D6P, D6X, D6U.....	B	2951 CX8	—	—	—	—	1	—
		P,D,C	2878 158	—	—	—	1	—	—
		P,D,C,Y	2878 160	1	1	—	—	1	—
		P,D,C	2878 161	—	—	—	—	—	1
		Y	2878 171	1	1	—	—	—	—
		C,Y	2879 414	—	—	—	1	—	—
23-96-8	PANEL, Luggage Compartment Side Lining INNER PNL. CVR. AND SILENCER w/Fold Down Rr. Seat Back CODES								
	H4B, H4C, H6B, H6C.....	B	4460-1 EB9	—	—	—	—	1	—
	H4F, H6F, H6G.....	B	4460-1 EF8	—	—	—	—	1	—
	H4V, H6R, H6V.....	B	4460-1 ER7	—	—	—	—	1	—
	H4W, H4X, H6W, H6X, X1T.....	B	4460-1 EX9	—	—	—	—	1	—
	W/RR. WDO. DEFOGGER RT.								
	H4B, H4C, H6B, H6C.....	B	4459 EB9	—	—	—	—	1	—
	H4F, H6F, H6G.....	B	4459 EF8	—	—	—	—	1	—
	H4V, H6R, H6V.....	B	4459 ER7	—	—	—	—	1	—
	H4X, H4W, H6X, H6W, X1T.....	B	4459 EX9	—	—	—	—	1	—
	Lt.....								
	H4B, H4C, H6B, H6C.....	B	4460 EB9	—	—	—	—	1	—
	H4F, H6F, H6G.....	B	4460 EF8	—	—	—	—	1	—
	H4V, H6R, H6V.....	B	4460 ER7	—	—	—	—	1	—
	H4X, H4W, H6X, H6W, X1T.....	B	4460 EX9	—	—	—	—	1	—
	Side Frt.....	C	2878 162-3	1	1	—	1	—	—
	Side Rr.....	C	2878 168-9	1	1	—	—	—	—
	Side Rr.....	C	2879 386-7	—	—	—	1	—	—
	Side Rr., Lt.....	Y	2879 427	—	—	—	1	—	—
	Side Rr., Lt.....	Y	2878 173	—	1	—	—	—	—
	Side Frt.....	Y	2878 178-9	—	1	—	1	—	—
	Rear Rt.....	Y	2879 700	—	1	—	1	—	—
	LWR. QTR. TRIM RR. COVER, LT. SIDE								
	L2B, H2B, D2D, P2D, P6D, P2B, P2C.....	R,W	3517 EB7	—	—	—	1	—	—
	H2G, P2F, P2G, D2G.....	R,W	3517 EF8	—	—	—	1	—	—
	L2T, H2T, P2T, P2H, D2T, P6T.....	R,W	3517 ET4	—	—	—	1	—	—
	L2X, D2X, H2X, H2S, P2X, P2S, P6X.....	R,W	3517 BX9	—	—	—	1	—	—
	WHEELHOUSE AND LWR. QTR. TRIM COVER								
	L2B, H2B, H2C, P2B, P2C.....	R	2010-1 EB7	—	—	—	1	—	—
	L2B, D2D, P2D, P6D.....	W	2010-1 EB7	—	—	—	1	—	—
	H2F, H2G, P2F, P2G.....	R	2010-1 EF8	—	—	—	1	—	—
	D2G, P2G.....	W	2010-1 EF8	—	—	—	1	—	—
	L2T, D2T, H2H, H2T, P2H, P2T, P6T.....	R,W	2010-1 ET4	—	—	—	1	—	—
	L2X, D2X, H2S, H2X, P2S, P2X, P6X.....	R,W	2010-1 DX9	—	—	—	1	—	—
	E2B, L2B.....	P,D	2028-9 EB3	—	—	—	1	—	—
	E2B, L2B, M2B, M4D, H4D.....	P,D	2028-9 EB7	—	—	—	1	—	—

NOTE: A letter code in the carline column indicates the carline for which the part is released as follows:

CARLINES Indicate:	V - Valiant	R - Belvedere	P - Plymouth	C - Chrysler
B - Barracuda	L - Dart	W - Coronet	D - Dodge	Y - Imperial

AR Indicates use as required.
★ Indicates change or addition.

Right and left part numbers are on same line,
first number is right, second number is left.

Printed in U.S.A.
January 1971

CODE	PART NAME	CAR LINE	PART NUMBER	Sed.	4 D.H.T.	Sta. Wgn.	2 D.H.T.	Sp. 2 D.H.T.	Conv.
23-96-8	PANEL, Luggage Compartment Side Lining Cont'd.								
	L2G, M4G, H4G.....	P,D	2028-9 EF8	—	—	1	—	—	—
	E2R, L2R, M4R, H4R "D" Canada.....	P,D	2028-9 ER6	—	—	1	—	—	—
	M2T, L2T, M4T, H4H, H4T, H8T.....	P,D	2028-9 ET4	—	—	1	—	—	—
	L2W, M2W "D" Canada.....	P,D	2028-9 EW1	—	—	1	—	—	—
	E2L, L2L, L2X, M4S, M4X, M8X, H4X, H8X, M2X, H4S. W/STORAGE COMPT. LID	P,D	2028-9 EX9	—	—	1	—	—	—
	E4D.....	C	2018-9 EB9	—	—	1	—	—	—
	E4E.....	C	2018-9 EE9	—	—	1	—	—	—
	E4G, E8G, M4G, H4G.....	P,D,C	2018-9 EF8	—	—	1	—	—	—
	E2L, E7L.....	P,C	2018-9 EL3	—	—	1	—	—	—
	E4T, L2T, M4T, H4T, H8T.....	P,D,C	2018-9 ET4	—	—	1	—	—	—
	E4X, E8X, L2X, M4X, M8X, H4X, H8X.....	P,D,C	2018-9 EX9	—	—	1	—	—	—
	LWR. QTR. TRIM PANEL W/STORAGE COMPT. LID, Rr. Lt.								
	E4D.....	C	2027 EB9	—	—	1	—	—	—
	E4E.....	C	2027 EE9	—	—	1	—	—	—
	E4G, E8G.....	C	2027 EF8	—	—	1	—	—	—
	E7L.....	C	2027 EL3	—	—	1	—	—	—
	E4T.....	C	2027 ET4	—	—	1	—	—	—
	E4X, E8X.....	C	2027 DX9	—	—	1	—	—	—
	WHEELHOUSE INNER PANEL COVER AND SILENCER								
	Fold Down Rr. Seat Back								
	H4B, H4C, H6B, H6C.....	B	4460-1 EB9	—	—	—	—	1	—
	H4F, H6F, H6G.....	B	4460-1 EF8	—	—	—	—	1	—
	H2R, H4V, H6R, H6V.....	B	4460-1 ER7	—	—	—	—	1	—
	H2X, H4W, H4X, H6W, H6X, X1T.....	B	4460-1 DX9	—	—	—	—	1	—
	w/Rr. Window Defogger								
	Rt. side								
	H2B, H4B, H4C, H6B, H6C.....	B	4459 EB9	—	—	—	—	1	—
	H4F, H6F, H6G.....	B	4459 EF8	—	—	—	—	1	—
	H2R, H4V, H6R, H6V.....	B	4459 ER7	—	—	—	—	1	—
	H2X, H4W, H4X, H6W, H6X, X1T.....	B	4459 DX9	—	—	—	—	1	—
	COVER, Lower Quarter Trim Rear Lt. Side								
	L2B, M2B, M4D, H4D.....	D	3583 EB7	—	—	1	—	—	—
	M4G, H4G.....	D	3583 EF8	—	—	1	—	—	—
	L2R, M4R, H4R.....	D	3583 ER6	—	—	1	—	—	—
	L2T, M2T, M4T, H4T, H4H, H8T.....	D	3583 ET4	—	—	1	—	—	—
	L2W, M2W.....	P,D	3583 EW1	—	—	1	—	—	—
	L2L, L2X, M2X, M4X, M8X, H4S, H4X, H8X.....	P,D	3583 EX9	—	—	1	—	—	—
	H4X, H8X Canada.....	D	3583 EX9	—	—	1	—	—	—
	Screw, Stowage Comp. Lid Latch to Wheelhouse Lwr. Qtr. Trim Cvr. Att.....	P,D,C	9424 872	—	—	3	—	—	—
	Fastener Side Liner to Body.....	C,Y	6000 903	2	2	—	2	—	—
23-96-10	COVER or PANEL, Luggage Compartment Deck Opening Lower Trim								
		W	2879 506	—	—	—	—	1	—
		Y	2877 992	1	1	—	1	—	—
	Nut and Seal.....	W	9420 291	—	—	—	—	3	—
	Retainer, Finish Panel.....	W	6001 430	—	—	—	8	—	8
	Nut.....	W	6024 152	—	—	—	11	—	11
23-96-12	PANEL, Luggage Compartment Jack Stowage Door								
	w/o Air Cond.....	Y	2878 889	1	1	—	1	—	—
	w/Air Cond.....	Y	2878 890	1	1	—	1	—	—
	Screw, Jack Stowage Compt. Dr. Turn Button Att.....	Y	9421 526	4	4	—	4	—	—

NOTE: A letter code in the carline column indicates the carline for which the part is released as follows:

CARLINES Indicate:	B - Barracuda	V - Valiant L - Dart	R - Belvedere W - Coronet	P - Plymouth D - Dodge	C - Chrysler Y - Imperial
--------------------	---------------	-------------------------	------------------------------	---------------------------	------------------------------

AR Indicates use as required.
★ Indicates change or addition.

Right and left part numbers are on same line,
first number is right, second number is left.

Printed in U.S.A.
January 1971

CODE	PART NAME	CAR LINE	PART NUMBER	Sed.	4 D.H.T.	Sta. Wgn.	2 D.H.T.	Sp. 2 D.H.T.	Conv.
23-96-15	PANEL, Luggage Compartment Air Conditioning Cover								
	Black.....	Y	2879 410	1	1	—	—	—	—
	Dual Air Cond. w/ Auto Temp. Cont.....	Y	2879 411	—	—	—	1	—	—
	Fastener Cover to Body.....	Y	6000 903	2	2	—	2	—	—
23-96-21	LATCH, Wheelhouse and Lower Quarter Trim Storage Compartment Lid								
		C	2879 220	—	—	AR	—	—	—
	Screw, Stowage Compt. Lid Latch to Wheelhouse Lwr. Qtr. Trim Cvr. Att.....	P,D,C	9424 872	—	—	3	—	—	—
23-96-26	LID, Wheelhouse Cover Storage Compartment								
	CODES								
	E4D.....	C	2016-7 EB9	—	—	1	—	—	—
	E4T.....	C	2016-7 ET4	—	—	1	—	—	—
	E4E.....	C	2016-7 EE9	—	—	1	—	—	—
	E7L.....	C	2016-7 EL3	—	—	1	—	—	—
	E4G, E8G.....	C	2016-7 EF8	—	—	1	—	—	—
	E4X, E8X.....	C	2016-7 EX9	—	—	1	—	—	—
	Fastener.....	C	6027 479	—	—	7	—	—	—
	LWR. QTR. STORAGE COMPT. LID and LATCH								
	E4D.....	C	2015 EB9	—	—	1	—	—	—
	E4E.....	C	2015 EE9	—	—	1	—	—	—
	E4G, E8G.....	C	2015 EF8	—	—	1	—	—	—
	E7L.....	C	2015 EL3	—	—	1	—	—	—
	E4T.....	C	2015 ET4	—	—	1	—	—	—
	E4X, E8X.....	C	2015 EX9	—	—	1	—	—	—
23-99-4	COVER, Center Pillar Trim								
	CODES								
	LWR. WIRING.....	R,W	2813 BX9	2	—	2	—	—	—
	L1B, L2B, MSB, H7B, S7B.....	D,Y	2838-9 EB3	—	1	—	—	—	—
	M1D, M4D, H4D, P3D, H1D.....	P,D	2838-9 EB7	—	1	—	—	—	—
	E1G, L1G, L2G, H7G, S7G.....	D,C	2838-9 EF3	—	1	—	—	—	—
	E1D, L2D, L3D, L4D, M4D, M6D, H1D, H7D.....	C	2838-9 EB9	—	1	—	—	—	—
	D1G, L3G, M1G, M3G, M4G, M6G, MDG, MSG, H1G, H4G, H6G.....	P,D,C,Y	2838-9 EF8	—	1	—	—	—	—
	H1G, H4G.....	D	2838-9 EF8	—	1	—	—	—	—
	E2Y, L1Y, L3Y, M3Y, MSY, H1Y, H4Y, H6Y.....	D,C,Y	2838-9 EY4	—	1	—	—	—	—
	MSN, P4N.....	P,Y	2838-9 EY9	—	1	—	—	—	—
	M4R, MSR, H4R.....	D,P,Y	2938-9 ER6	—	1	—	—	—	—
	M4S, H4S.....	P	2838-9 EA4	—	1	—	—	—	—
	E2T, L2T, M4T, M6T, H4T, HST, P4T.....	P,D,C	2838-9 ET4	—	1	—	—	—	—
	E1X, E2X, L1X, L2X, L3X, L8X, M1X, M3X, D1X, M4X, M6X, M8X, MDX, X6X, MSX, H1X, H4X, H6X, H7X, P3X, P8X, PPX, H8X, S7X.....	P,D,C,Y	2838-9 EX9	—	1	—	—	—	—
	E1L, L7L, H7L, H8L.....	C	2838-9 EL3	—	1	—	—	—	—
	D1D, MDD, MSD.....	Y	2838-9 EB9	—	1	—	—	—	—
	L4E, L7E, M4E, H7E.....	C	2838-9 EE9	—	1	—	—	—	—
	D1Q, E1Q, L3Q, H1Q, MDQ.....	C,Y	2838-9 EQ4	—	1	—	—	—	—
	D1K, MDK.....	Y	2838-9 ET1	—	1	—	—	—	—
	D1M, MDM.....	Y	2838-9 EM9	—	1	—	—	—	—
	MST.....	Y	2838-9 ET8	—	1	—	—	—	—
	MSW.....	Y	2838-9 EW1	—	1	—	—	—	—
	UPPER								
	LOWER								
	E1B, E2B, L1B, L2B, M1B, M2B, H1B, H7B, X2B, S7B.....	P,D	2824-5 EB3	1	1	1	—	—	—
	M1D, M4D, H1D, H4D.....	P,D	2824-5 EB7	1	—	1	—	—	—
	E1D, D1D, E2D, E4D, L3D, M1D, H1D, H7D.....	C,Y	2824-5 EB9	1	1	1	—	—	—

NOTE: A letter code in the carline column indicates the carline for which the part is released as follows:

CARLINES Indicate:	B - Barracuda	V - Valiant L - Dart	R - Belvedere W - Coronet	P - Plymouth D - Dodge	C - Chrysler Y - Imperial
--------------------	---------------	-------------------------	------------------------------	---------------------------	------------------------------

AR Indicates use as required.
★ Indicates change or addition.

Right and left part numbers are on same line,
first number is right, second number is left.

1969 PASSENGER CAR PARTS CATALOG

INTERIOR TRIM

CODE	PART NAME	CAR LINE	PART NUMBER	Sed.	4 D.H.T.	Sta. Wgn.	2 D.H.T.	Sp. 2 D.H.T.	Conv.
23-99-4	COVER, Center Pillar Trim Cont'd.								
	L1G, L2G, H1G, H7G.....	P,D	2824-5 EF3	1	1	1			
	E1G, D1G, M1G.....	C,Y	2824-5 EF3	1	1				
	M1G, S7G Canada.....	D	2824-5 EF3	1		1			
	H1G, H4G Canada.....	D	2824-5 EF8	1		1			
	M1G, M4G, H4G.....	P,D	2824-5 EF8	1		1			
	E4G, E8G, L3G, H1G.....	C,Y	2824-5 EF8	1		1			
	E1L, E2L, E7L, L1L, L2L, L7L, M1L, H1L, H7L	P,D,C	2824-5 EL3	1		1			
	D1Q, E1Q, L3Q, M1Q, H1Q.....	C,Y	2824-5 EQ4	1	1				
	E2R, L2R, X2R, M1R, M2R, H1R, H4R, H2R.....	P,D	2824-5 ER6	1		1			
	H4R Canada.....	D	2838-9 ER6		1				
	H4S Canada.....	D	2838-9 EA4		1				
	H4T Canada.....	D	2838-9 ET4		1				
	H1X, H4X, H8X, S7X Canada.....	D	2838-9 EX9		1				
	M4S, H4S.....	P	2824-5 EA4	1					
	M4S, H4S Canada.....	D	2824-5 EA4	1		1			
	D1K, M1K.....	Y	2824-5 ET1	1	1				
	D1M.....	Y	2824-5 EM9	1	1				
	E4T, K1T, K2T, L2T, M2T, M4T, H4H, H4T, H8T, M2T, HST, H4T, X2T.....	P,D,C	2824-5 ET4	1		1			
	L2W.....	P	2824-5 EW1			1			
	D1X, E1X, E2X, E4X, E8X, L2X, L3X, L8X, M1X, M2X M4X, M8X, H1X, H4X, H7X, H8X, K1A, K2A, S7X	P,D,C,Y	2824-5 EX9	1	1	1			
	D1M.....	Y	2824-5 EM9	1	1				
	E2Y, L3Y, L1Y, H1Y.....	D,C	2824-5 EY4	1					
	M2X, H1X, H4X, H8X, S7X, K2A Canada.....	D	2824-5 EX9	1		1			
23-99-6	COVER, Body Lock Pillar Upper Trim CODES								
	Paint as Req'd 2 Door.....	P	2820 EX9	2					
	Paint as Req'd 4 Door.....	P	2820 EX9	2					
	E2B, L2B, M2B, M4D, H4D.....	P,D	2840-1 EB7			1			
	E4D.....	C	2840-1 EB9			1			
	E4E.....	C	2840-1 EE9			1			
	L2G, E4G, E8G, M4G, H4G.....	P,D,C	2840-1 EF8			1			
	E2R, L2R, M4R, M2R, H4R.....	P	2840-1 ER6			1			
	E4T, E8T, L2T, M2T, M4T, H4H, H4T, H8T.....	P,D,C	2840-1 ET4			1			
	L2W, M2W.....	P	2840-1 EW1			1			
	E2L, L2L, M2X, E4X, E8X, L2X, M4X, M8X, M4S, H4X, H8X, H4S.....	P,D,C	2840-1 EX9			1			
	E7L.....	C	2840-1 EL3			1			
23-99-9	RETAINER, Quarter Panel Tailgate Pillar Front Support Trim Left								
	Qtr. Panel Tailgate Pillar Reinf. Trim.....	P,D,C	2894 854			1			
		R,W	2860 853			1			
23-99-41	COVER, Tailgate Opening Pillar CODES								
	Upper								
	E2B, M4D, L2B, H4D.....	P,D	2834-5 EB7			1			
	E4D.....	C	2834-5 EB9			1			
	E4E.....	C	2834-5 EE9			1			
	L2G, E4G, E8G, M4G, H4G.....	P,D,C	2834-5 EF8			1			
	E2L, E7L.....	P,C	2834-5 EL3			1			
	E2R, L2R, M4R.....	P	2834-5 ER6			1			
	E4T, E8T, L2T, M4T, H4T, H8T, H4H.....	P,D,C	2834-5 ET4			1			
	L2W.....	P	2834-5 EW1			1			
	M4S, E4X, E8X, L2X, M4X, M8X, H4X, H8X.....	P,D,C	2834-5 EX9			1			

NOTE: A letter code in the carline column indicates the carline for which the part is released as follows:

CARLINES Indicate:	B - Barracuda	V - Valiant L - Dart	R - Belvedere W - Coronet	P - Plymouth D - Dodge	C - Chrysler Y - Imperial
--------------------	---------------	-------------------------	------------------------------	---------------------------	------------------------------

AR Indicates use as required.

★ Indicates change or addition.

Right and left part numbers are on same line,
first number is right, second number is left.

Printed in U.S.A.

January 1971

CODE	PART NAME	CAR LINE	PART NUMBER	Sed.	4 D.H.T.	Stra. Wgn.	2 D.H.T.	Sp. 2 D.H.T.	Conv.
23-99-41	COVER, Tailgate Opening Pillar Cont'd.								
	UPPER								
	L2B, M2B, H4D	Canada	2834-5 EB7	—	—	1	—	—	—
	H4G	Canada	2834-5 EF8	—	—	1	—	—	—
	L2R, M2R, H4R	Canada	2834-5 ER6	—	—	1	—	—	—
	M2T, H4T	Canada	2834-5 ET4	—	—	1	—	—	—
	M2W	Canada	2834-5 EW1	—	—	1	—	—	—
	L2L, M2X, H4S, H4X, H8X	Canada	2834-5 EX9	—	—	1	—	—	—
23-101-3	PANEL, Rear Quarter Trim								
	CODES								
	2 DOOR								
	D1B, D4B, L1B, L2B	V	3340-1 EOB	1	—	—	—	—	—
	L2T	V	3340-1 EOT	1	—	—	—	—	—
	L2L	V	3340-1 EOL	1	—	—	—	—	—
	L1R, L2R, D4R	V	3340-1 EOR	1	—	—	—	—	—
	D1X, D4X, L1X, L2X	V	3340-1 EOX	1	—	—	—	—	—
	H1B, H4B	V	3318-9 EOB	1	—	—	—	—	—
	H1G	V	3318-9 EOF	1	—	—	—	—	—
	H4R	V	3318-9 EOR	1	—	—	—	—	—
	H1X, H4X, H6X	V	3318-9 EOX	1	—	—	—	—	—
	H6C, H6E, H6W, H6V, H6F	V	3318-9 EOW	1	—	—	—	—	—
	H4Y	V	3318-9 EOY	1	—	—	—	—	—
	L2B, H4B, H6B	B	3346-7 EOB	—	—	—	1	—	—
	H4C, H4F, H4V, H4W, H6C, H6F, H6V, H6W	B	3346-7 EOW	—	—	—	1	—	—
	H6G	B	3346-7 EOF	—	—	—	1	—	—
	L2R, H6R	B	3346-7 EOR	—	—	—	1	—	—
	L2X, H4X, H6X	B	3346-7 EOX	—	—	—	1	—	—
	D6B	B	3342-3 EOB	—	—	—	1	—	—
	D6G	B	3342-3 EOF	—	—	—	1	—	—
	D6J, D6T, D6U	B	3342-3 EOT	—	—	—	1	—	—
	D6R	B	3342-3 EOR	—	—	—	1	—	—
	D6P	B	3342-3 EY3	—	—	—	1	—	—
	D6X	B	3342-3 EOX	—	—	—	1	—	—
	D6B	B	3344-5 EOB	—	—	—	—	1	—
	D6G	B	3344-5 EOF	—	—	—	—	1	—
	D6J, D6T, D6U	B	3344-5 EOT	—	—	—	—	1	—
	D6P	B	3344-5 EY3	—	—	—	—	1	—
	F6J	B	3342-3 EFF	—	—	—	—	1	—
	F6P	B	3342-3 EFY	—	—	—	—	1	—
	D6R	B	3344-5 EOR	—	—	—	—	1	—
	D6X	B	3344-5 EOX	—	—	—	—	1	—
	L2B, H4B, H6C	B	3370-1 EOB	—	—	—	—	1	—
	H4C, H4F, H4V, H4W, H6C, H6F, H6V, H6W	B	3370-1 EOW	—	—	—	—	1	—
	H6G	B	3370-1 EOF	—	—	—	—	1	—
	L2R, H6R	B	3370-1 EOR	—	—	—	—	1	—
	L2X, H4X, H6X	B	3370-1 EOX	—	—	—	—	1	—
	L2B, D2B	L	3388-9 EOB	—	—	—	1	—	—
	D2T	L	3388-9 EOT	—	—	—	1	—	—
	L2X, D2X	L	3388-9 DOX	—	—	—	1	—	—
	Paint as req'd.								
	LOWER	L	2056-7 CX9	1	—	—	—	—	—
	H2B	L	3334-5 EOB	—	—	—	1	—	—
	H2C, H2W	L	3334-5 EOW	—	—	—	1	—	—
	H2G	L	3334-5 EOF	—	—	—	1	—	—
	H2R	L	3334-5 EOR	—	—	—	1	—	—
	H2T	L	3334-5 EOT	—	—	—	1	—	—
	H2X	L	3334-5 EOX	—	—	—	1	—	—
	P6B	L	3336-7 EOB	—	—	—	1	—	—

NOTE: A letter code in the carline column indicates the carline for which the part is released as follows:

CARLINES Indicate:	B - Barracuda	V - Valiant	R - Belvedere	P - Plymouth	C - Chrysler
		L - Dart	W - Coronet	D - Dodge	Y - Imperial

AR Indicates use as required.
 ★ Indicates change or addition.

Right and left part numbers are on same line,
 first number is right, second number is left.

Printed in U.S.A.
 January 1971

1969 PASSENGER CAR PARTS CATALOG

INTERIOR TRIM

CODE	PART NAME	CAR LINE	PART NUMBER	Sed.	4 D.H.T.	Sta. Wgn.	2 D.H.T.	Sp. 2 D.H.T.	Conv.
23-101-3	PANEL, Rear Quarter Trim Cont'd.								
	P6G.....	L	3336-7 EOF	—	—	—	—	—	—
	P6R.....	L	3336-7 EOR	—	—	—	—	—	—
	P6C, P6E, P6F, P6W.....	L	3336-7 EOW	—	—	—	—	—	—
	P6X.....	L	3336-7 EOX	—	—	—	—	—	—
	P6Y.....	L	3336-7 EOY	—	—	—	—	—	—
	2 DOOR								
	K1T, K2T.....	R,W	3338-9 EOT	1	—	—	—	—	—
	L1B.....	W	3338-9 EB7	1	—	—	—	—	—
	L1L.....	W	3338-9 EOL	1	—	—	—	—	—
	L1X.....	W	3338-9 EOX	1	—	—	—	—	—
	M2B.....	R,W	3352-3 EOB	1	—	—	—	—	—
	M2X.....	R,W	3352-3 EOX	1	—	—	—	—	—
	M2T.....	R,W	3352-3 EOT	1	—	—	—	—	—
	H1B, H2B, M6B.....	R	3362-3 EOB	1	—	—	—	—	—
	H1G, H2G, M6G.....	R	3362-3 EOF	1	—	—	—	—	—
	H2S, M6S.....	R	3362-3 EOA	1	—	—	—	—	—
	H2T, M6T.....	R	3362-3 ETT	1	—	—	—	—	—
	H1X, H2X, M6X.....	R	3362-3 EOX	1	—	—	—	—	—
	F2Q.....	R	3362-3 EBQ	—	—	—	—	—	—
	H2C, H2F, H2H, H2W, M6C, M6F, M6W, M6H.....	R	3362-3 EOW	1	—	—	—	—	—
	P6S.....	R	3358-9 EOA	—	—	—	—	—	—
	P6D.....	R	3358-9 EOB	—	—	—	—	—	—
	P6G.....	R	3358-9 EOF	—	—	—	—	—	—
	P6R.....	R	3358-9 EOR	—	—	—	—	—	—
	P6T.....	R	3358-9 EOT	—	—	—	—	—	—
	P6X.....	R	3358-9 EOX	—	—	—	—	—	—
	P6C, P6F, P6H, P6V, P6W.....	R	3358-9 EOW	—	—	—	—	—	—
	H2B, M6B.....	R	3364-5 EOB	—	—	—	—	—	—
	H2T, M6T.....	R	3364-5 ETT	—	—	—	—	—	—
	H2X, M6X.....	R	3364-5 EOX	—	—	—	—	—	—
	H2C, H2H, H2W, M6C, M6H, M6W.....	R	3364-5 EOW	—	—	—	—	—	—
	P6D.....	R	3360-1 EOB	—	—	—	—	—	—
	P6T.....	R	3360-1 EOT	—	—	—	—	—	—
	P6X.....	R	3360-1 EOX	—	—	—	—	—	—
	P6C, P6H, P6W.....	R	3360-1 EOW	—	—	—	—	—	—
	LOWER QTR. TRIM RR. COVER, LEFT SIDE								
	L2B, H2B, H2C, P2B, P2C.....	R	3517 EB3	—	—	—	—	—	—
	L2B, D2D, P2D, P6D.....	W	3517 EB7	—	—	—	—	—	—
	H2F, H2G, P2F, P2G.....	R	3517 EF3	—	—	—	—	—	—
	D2G, P2G.....	W	3517 EF8	—	—	—	—	—	—
	L2T, H2T, H2H, P2H, P2T, D2T, D2T, P6T.....	R,W	3517 ET4	—	—	—	—	—	—
	D2X, H2X, H2S, P2S, P2X, P6X.....	R,W	3517 DX9	—	—	—	—	—	—
	UPR. PNL.								
	M2B, M6B, M6C, F2Q, H1B, H2B, H2C, F2Q, P6D, P6C.....	R,W	7148-9 EB8	1	—	—	—	—	—
	M6F, M6G, H2F, H2G, H1G, P6F, P6G.....	R,W	7148-9 EF7	1	—	—	—	—	—
	M6R, H2R, P6R, P6V.....	R,W	7148-9 ER6	1	—	—	—	—	—
	K1T, K2T, M2T, M6T, M6H, H2T, H2H, P6T, P6H.....	R,W	7148-9 ET1	1	—	—	—	—	—
	M2X, M6X, M6W, M6S, H2S, H2W, H2X, H1X P6X, P6W.....	R,W	7148-9 EX9	1	—	—	—	—	—
	LOWER QTR. FRT.								
	E1B, L1B, L2B.....	P	3518-9 EB3	1	—	—	—	—	—
	M1D, M4D.....	P	3518-9 EB7	1	1	—	—	—	—
	L1G.....	P	3518-9 EF3	1	—	—	—	—	—
	M1G, M4G, P3G.....	P	3518-9 EF8	1	—	—	—	—	—
	E1L, L1L, M1L.....	P	3518-9 EL3	1	—	—	—	—	—
	L2R, M1R, M4R.....	P	3518-9 ER6	1	1	—	—	—	—

NOTE: A letter code in the carline column indicates the carline for which the part is released as follows:

CARLINES Indicate:	B - Barracuda	V - Valiant L - Dart	R - Belvedere W - Coronet	P - Plymouth D - Dodge	C - Chrysler Y - Imperial
--------------------	---------------	-------------------------	------------------------------	---------------------------	------------------------------

AR Indicates use as required.
★ Indicates change or addition.

Right and left part numbers are on same line,
first number is right, second number is left.

Printed in U.S.A.
January 1971

CODE	PART NAME	CAR LINE	PART NUMBER	Sed.	4 D.H.T.	Sta. Wgn.	2 D.H.T.	Sp. 2 D.H.T.	Conv.
23-101-3	PANEL, Rear Quarter Trim Cont'd.								
	L2T, K1T, K2T, M4T, P4T.....	P	3518-9 ET4	1	1	—	—	—	—
	P4W	P	3518-9 EW1	—	1	—	—	—	—
	L2X, X4X, M1X, M4X, M8X, X6X, P3X, P8X, PPX	P	3518-9 EX9	1	1	—	—	—	—
	M4S	P	3518-9 EA4	1	1	—	—	—	—
	LOWER QTR. FRT.								
	2 DOOR								
	E1B, L2B, L1B, M6B	P	3584-5 EB3	1	—	—	1	—	1
	M1D, M4D, H6D, H4D, P3D	P	3584-5 EB7	—	—	—	1	1	1
	L1G, L2G, M6G	P	3584-5 EF3	—	—	—	1	—	1
	M1G, M4G, H4G, H6G, P3G	P	3584-5 EF8	—	—	—	1	1	—
	E1L	P	3584-5 EL3	1	—	—	—	—	—
	L2T, K1T, K2T, M4T, M6T, H4T, H6T, P4T	P	3584-5 ET4	1	—	—	1	1	—
	M4R, H6R	P	3584-5 ER6	—	—	—	1	—	1
	M4W, H6W, P4W	P	3584-5 EW1	—	—	—	1	1	1
	L1X, L2X, M1X, M4X, M6X, H4X, H6X, P3X, P4X, P6X, PPX	P	3584-5 EX9	1	—	—	1	1	1
	L1Y, H4Y, H6Y	P	3584-5 EY4	—	—	—	—	1	1
	2 DOOR								
	E1B	P	3376-7 EOB	1	—	—	—	—	—
	E1L	P	3376-7 EOL	1	—	—	—	—	—
	K1T, K2T	P	3376-7 EOT	1	—	—	—	—	—
	L2B	P	3380-1 EOB	1	—	—	—	—	—
	L2T	P	3380-1 EOT	1	—	—	—	—	—
	L2X	P	3380-1 EOX	1	—	—	—	—	—
	M1D, M4D	P	3308-9 EBB	—	—	—	1	—	—
	M1G, M4G	P	3308-9 EFF	—	—	—	1	—	—
	M4R	P	3308-9 EOR	—	—	—	1	—	—
	M4S	P	3308-9 EOA	—	—	—	1	—	—
	M4T	P	3308-9 ETT	—	—	—	1	—	—
	M4W	P	3308-9 EOW	—	—	—	1	—	—
	M1X, M4X	P	3308-9 EOX	—	—	—	1	—	—
	H6D	P	3356-7 EOB	—	—	—	1	—	—
	H6G	P	3356-7 EOF	—	—	—	1	—	—
	H6X	P	3356-7 EOX	—	—	—	1	—	—
	H6R	P	3356-7 EOR	—	—	—	1	—	—
	H6S	P	3356-7 EOA	—	—	—	1	—	—
	H6T	P	3356-7 EOT	—	—	—	1	—	—
	H6W	P	3356-7 EOW	—	—	—	1	—	—
	P3D	P	3316-7 EBB	—	—	—	1	—	—
	P3G	P	3316-7 EFF	—	—	—	1	—	—
	P4T	P	3316-7 ETT	—	—	—	1	—	—
	P4W	P	3316-7 EWX	—	—	—	1	—	—
	P3X, P6X, PPX	P	3316-7 EOX	—	—	—	1	—	—
	M1D, M4D	P	3390-1 EBB	—	—	—	—	1	—
	M1G, M4G	P	3390-1 EFF	—	—	—	—	1	—
	M4S	P	3390-1 EOA	—	—	—	—	1	—
	M1X, M4X	P	3390-1 EOX	—	—	—	—	1	—
	H6D	P	3392-3 EOB	—	—	—	—	1	—
	H6G	P	3392-3 EOF	—	—	—	—	1	—
	H6S	P	3392-3 EOA	—	—	—	—	1	—
	H6X	P	3392-3 EOX	—	—	—	—	1	—
	P3D	P	3396-7 EBB	—	—	—	—	1	—
	P3G	P	3396-7 EFF	—	—	—	—	1	—
	P4T	P	3396-7 ETT	—	—	—	—	1	—
	P4W	P	3396-7 EWX	—	—	—	—	1	—
	P3X, P6X, PPX	P	3396-7 EOX	—	—	—	—	1	—

NOTE: A letter code in the carline column indicates the carline for which the part is released as follows:

CARLINES Indicate:	B - Barracuda	V - Valiant L - Dart	R - Belvedere W - Coronet	P - Plymouth D - Dodge	C - Chrysler Y - Imperial
--------------------	---------------	-------------------------	------------------------------	---------------------------	------------------------------

AR Indicates use as required.
★ Indicates change or addition.

Right and left part numbers are on same line,
first number is right, second number is left.

Printed in U.S.A.
January 1971

1969 PASSENGER CAR PARTS CATALOG

INTERIOR TRIM

CODE	PART NAME	CAR LINE	PART NUMBER	Sed.	4 D.H.T.	Sta. Wgn.	2 D.H.T.	Sp. 2 D.H.T.	Conv.
23-101-3	PANEL, Rear Quarter Trim Cont'd.								
	M4D	P	3386-7 EBB	—	—	—	—	—	1
	M4R	P	3386-7 EOR	—	—	—	—	—	1
	M4W	P	3386-7 EOW	—	—	—	—	—	1
	M4X	P	3386-7 EOX	—	—	—	—	—	1
	H6D	P	3382-3 EOB	—	—	—	—	—	1
	H6R	P	3382-3 EOR	—	—	—	—	—	1
	H6W	P	3382-3 EOW	—	—	—	—	—	1
	H6N, H6X	P	3382-3 EOX	—	—	—	—	—	1
	2 DOOR								
	H1B, H2B	W	3320-1 EB3	1	—	—	1	—	—
	H1G, H2G	W	3320-1 EF3	1	—	—	1	—	—
	H1L	W	3320-1 EOL	1	—	—	—	—	—
	H2T	W	3320-1 EOT	1	—	—	1	—	—
	H1X, H2X	W	3320-1 EOX	1	—	—	1	—	—
	H2R	W	3320-1 EOR	1	—	—	1	—	—
	H2C, H2F, H2W	W	3320-1 EOW	1	—	—	1	—	—
	2 DOOR								
	UPPER								
	M2B, H2B, H2C, H1B, P6D	R,W	7148-9 EB8	1	—	—	—	—	—
	H2F, H2G, H1G, P6G	R,W	7148-9 EF7	1	—	—	1	—	—
	P6R, H2R, P6R	R,W	7148-9 ER6	—	—	—	1	—	—
	K1T, K2T, M2T, H2T, H2H, P6T	R,W	7148-9 ET1	1	—	—	1	—	—
	M2S, H2X, H2S, H1X, P6S, P6X	R,W	7148-9 EX9	1	—	—	1	—	—
	LOWER								
	M6B, P6D, S6D	W	3394-5 EOB	—	—	—	1	—	—
	M6G, P6G, S6G	W	3394-5 EOF	—	—	—	1	—	—
	M6R, P6R, S6R	W	3394-5 EOR	—	—	—	1	—	—
	M6T, P6T, S6T	W	3394-5 EOT	—	—	—	1	—	—
	M6X, P6X, S6X	W	3394-5 EOX	—	—	—	1	—	—
	M6C, M6F, M6W, P6C, P6F, P6V, P6W, S6C, S6F, S6V, S6W	W	3394-5 EOW	—	—	—	1	—	—
	UPPER								
	C6D, CRD	W	3312-3 EB7	—	—	—	—	1	—
	C6G, CRG	W	3312-3 EF8	—	—	—	—	1	—
	C6R	W	3312-3 ER7	—	—	—	—	1	—
	C6T, CRT	W	3312-3 ET5	—	—	—	—	1	—
	C5X, C6X, CRX	W	3312-3 DX9	—	—	—	—	1	—
	C6W	W	3312-3 EW1	—	—	—	—	1	—
	LOWER								
	C5D, C6D, CRD	W	3472-3 EOB	—	—	—	—	1	—
	C5G, C6G, CRG	W	3472-3 EOF	—	—	—	—	1	—
	C6R	W	3472-3 EOR	—	—	—	—	1	—
	C5T, C6T, CRT	W	3472-3 EOT	—	—	—	—	1	—
	C6W	W	3472-3 EOW	—	—	—	—	1	—
	C5X, C6X, CRX	W	3472-3 EOX	—	—	—	—	1	—
	P2D, P6D	W	3326-7 EOB	—	—	—	—	—	1
	P2G, P6G	W	3326-7 EOF	—	—	—	—	—	1
	P6R	W	3326-7 EOR	—	—	—	—	—	1
	P6T	W	3326-7 EOT	—	—	—	—	—	1
	P2X, P6X	W	3326-7 EOX	—	—	—	—	—	1
	P2W, P6C, P6F, P6V, P6W	W	3326-7 EOW	—	—	—	—	—	1
	L1B, L2B, M6B	D	3350-1 EBB	—	—	—	1	—	—
	L1G, L2G, M6G	D	3350-1 EFF	—	—	—	1	—	—
	L2T, M6T	D	3350-1 ETT	—	—	—	1	—	—
	L2W, M6W	D	3350-1 EOW	—	—	—	1	—	—
	L1X, L2X, M6X	D	3350-1 EOX	—	—	—	1	—	—
	L1T	D	3350-1 EOY	—	—	—	1	—	—

NOTE: A letter code in the carline column indicates the carline for which the part is released as follows:

CARLINES Indicate:	B - Barracuda	V - Valiant L - Dart	R - Belvedere W - Coronet	P - Plymouth D - Dodge	C - Chrysler Y - Imperial
--------------------	---------------	-------------------------	------------------------------	---------------------------	------------------------------

AR Indicates use as required.
★ Indicates change or addition.

Right and left part numbers are on same line,
first number is right, second number is left.

Printed in U.S.A.
January 1971

CODE	PART NAME	CAR LINE	PART NUMBER	Sed.	4 D.H.T.	Sta. Wgn.	2 D.H.T.	Sp. 2 D.H.T.	Conv.
23-101-3	PANEL, Rear Quarter Trim Cont'd.								
	H4D	D	3398-9 EBB	—	—	—	1	—	—
	H4G, H6G	D	3398-9 EFF	—	—	—	1	—	—
	H4T	D	3398-9 ETT	—	—	—	1	—	—
	H6W	D	3398-9 EWX	—	—	—	1	—	—
	H4X, H6X	D	3398-9 EXX	—	—	—	1	—	—
	H4Y, H6Y	D	3398-9 EOY	—	—	—	1	—	—
	L2B, M6B	D	3368-9 EBB	—	—	—	—	—	1
	L2G, M6G	D	3368-9 EFF	—	—	—	—	—	1
	L2W, M6W	D	3369-9 EOW	—	—	—	—	—	1
	L2W, M6W	D	3368-9 EOW	—	—	—	—	—	1
	L2X, M6X	D	3368-9 EOX	—	—	—	—	—	1
	LOWER QTR. FRT. TRIM COVER								
	L1B, L2B, H1B, H7B	D	3514-5 EB3	1	1	—	—	—	—
	H4D	D	3514-5 EB7	—	1	—	—	—	—
	L1G, L2G, H1G, H7G	D	3514-5 EF3	1	1	—	—	—	—
	H4G, H6G	D	3514-5 EF8	—	1	—	—	—	—
	H1L	D	3514-5 EL3	1	—	—	—	—	—
	L2T, H4T	D	3514-5 ET4	1	1	—	—	—	—
	L2W, H6W	D	3514-5 EW1	—	1	—	—	—	—
	K1A, K2A, L1X, L2X, H1X, H4X, H6X, H7X	D	3514-5 EX9	1	1	—	—	—	—
	L1Y, H1Y, H4Y, H6Y	D	3514-5 EY4	1	1	—	—	—	—
	QTR. TRM. PNL.								
	L1B, L2B	P	3348-9 EOB	—	—	—	1	—	—
	L1G	P	3348-9 EOF	—	—	—	1	—	—
	L1L	P	3348-9 EOL	—	—	—	1	—	—
	L2R	P	3348-9 EOR	—	—	—	1	—	—
	L2T	P	3348-9 EOT	—	—	—	1	—	—
	L2X	P	3348-9 EOX	—	—	—	1	—	—
	M1B, M2B	D	3366-7 EOB	—	—	—	1	—	—
	M1G	D	3366-7 EOF	—	—	—	1	—	—
	M1L	D	3366-7 EOL	—	—	—	1	—	—
	M2R	D	3366-7 EOR	—	—	—	1	—	—
	M2T	D	3366-7 EOT	—	—	—	1	—	—
	M2X	D	3366-7 EOX	—	—	—	1	—	—
	H1D, H4D	D	3384-5 EBB	—	—	—	1	—	—
	H1G, H4G	D	3384-5 EFF	—	—	—	1	—	—
	H4R	D	3384-5 EOR	—	—	—	1	—	—
	H4S	D	3384-5 EOA	—	—	—	1	—	—
	H4T	D	3384-5 ETT	—	—	—	1	—	—
	H4W	D	3384-5 EOW	—	—	—	1	—	—
	H1X, H4X	D	3384-5 EOX	—	—	—	1	—	—
	P6D	D	3354-5 EOB	—	—	—	1	—	—
	P6G	D	3354-5 EOF	—	—	—	1	—	—
	P6R	D	3354-5 EOR	—	—	—	1	—	—
	P6S	D	3354-5 EOA	—	—	—	1	—	—
	P6T	D	3354-5 EOT	—	—	—	1	—	—
	P6W	D	3354-5 EOW	—	—	—	1	—	—
	P6X	D	3354-5 EOX	—	—	—	1	—	—
	H4D	D	3386-7 EBB	—	—	—	—	—	1
	H4R	D	3386-7 EOR	—	—	—	—	—	1
	H4W	D	3386-7 EOW	—	—	—	—	—	1
	H4X	D	3386-7 EOX	—	—	—	—	—	1
	P6D	D	3382-3 EOB	—	—	—	—	—	1
	P6R	D	3382-3 EOR	—	—	—	—	—	1
	P6W	D	3382-3 EOW	—	—	—	—	—	1
	P6X	D	3382-3 EOX	—	—	—	—	—	1

NOTE: A letter code in the carline column indicates the carline for which the part is released as follows:

CARLINES Indicate:	B - Barracuda	V - Valiant L - Dart	R - Belvedere W - Coronet	P - Plymouth D - Dodge	C - Chrysler Y - Imperial
--------------------	---------------	-------------------------	------------------------------	---------------------------	------------------------------

AR Indicates use as required.
★ Indicates change or addition.

Right and left part numbers are on same line,
first number is right, second number is left.

Printed in U.S.A.
January 1971

CODE	PART NAME	CAR LINE	PART NUMBER	Sed.	4 D.H.T.	Sta. Wgn.	2 D.H.T.	Sp. 2 D.H.T.	Conv.
23-101-3	PANEL, Rear Quarter Trim Cont'd.								
	COVER, LOWER QUARTER FRONT TRIM								
	L1B, L2B	Canada	P	3584-5 EB3	—	—	—	1	—
	L1G	Canada	P	3584-5 EF8	—	—	—	1	—
	L1L	Canada	P	3584-5 EL3	—	—	—	1	—
	L2R	Canada	P	3584-5 ER6	—	—	—	1	—
	L2T	Canada	P	3584-5 ET4	—	—	—	1	—
	L2X	Canada	P	3584-5 EX9	—	—	—	1	—
	L1B, M1B, M2B,								
	X2B, S7B	Canada	D	3514-5 EB3	1	1	—	—	—
	H1D, H4D	Canada	D	3514-5 EB7	1	1	—	—	—
	M1G, S7G	Canada	D	3514-5 EF3	1	1	—	—	—
	H1G, H4G	Canada	D	3514-5 EF8	1	1	—	—	—
	L1L, M1L, H1L	Canada	D	3514-5 EL3	1	—	—	—	—
	M2R, H1R, H4R, X2R	Canada	D	3514-5 ER6	1	1	—	—	—
	H4S	Canada	D	3514-5 EA4	1	1	—	—	—
	M2T, H4T, X2T	Canada	D	3514-5 ET4	1	1	—	—	—
	M2X, H1X, H4X,								
	H8X, S7X, K2A	Canada	D	3514-5 EX9	1	1	—	—	—
	M1B, M2B	Canada	D	3584-5 EB3	—	—	—	1	—
	H1D, H4D, P6D	Canada	D	3584-5 EB7	—	—	—	1	1
	H1G, H4G, P6G	Canada	D	3584-5 EF8	—	—	—	1	—
	H4R, P6R	Canada	D	3584-5 ER6	—	—	—	1	1
	LOWER QUARTER FRONT TRIM								
	H4S, P6S	Canada	D	3584-5 EA4	—	—	—	1	—
	M2T, H4T, P6T	Canada	D	3584-5 ET4	—	—	—	1	—
	H4W, P6W	Canada	D	3584-5 EW1	—	—	—	1	1
	M2X, H1X, H4X, P6X	Canada	D	3584-5 EX9	—	—	—	1	1
	REAR QUARTER TRIM								
	E1D, E2D		C	3300-1 EOB	—	—	—	1	—
	E1G		C	3300-1 EF3	—	—	—	1	—
	E1L		C	3300-1 EOL	—	—	—	1	—
	E1Q		C	3300-1 EOQ	—	—	—	1	—
	E2T, E6T		C	3300-1 EOT	—	—	—	1	—
	E6W		C	3300-1 EOW	—	—	—	1	—
	E1X, E2X, E6X		C	3300-1 EOX	—	—	—	1	—
	E2Y		C	3300-1 EOY	—	—	—	1	—
	L3D, L4D		C	3378-9 EOB	—	—	—	1	—
	L3G, L6G		C	3378-9 EOF	—	—	—	1	—
	L5L		C	3378-9 EOL	—	—	—	1	—
	L3Q		C	3378-9 EOQ	—	—	—	1	—
	L6T		C	3378-9 EOT	—	—	—	1	—
	L6W		C	3378-9 EOW	—	—	—	1	—
	L3X, L4X, L6X		C	3378-9 EOX	—	—	—	1	—
	L3Y		C	3378-9 EOY	—	—	—	1	—
	L4E		C	3378-9 EOE	—	—	—	1	—
	M4D, M6D		C	3304-5 EOB	—	—	—	1	—
	M4E		C	3304-5 EOE	—	—	—	1	—
	M3G, M6G		C	3304-5 EOF	—	—	—	1	—
	M5L		C	3304-5 EOL	—	—	—	1	—
	M6T		C	3304-5 EOT	—	—	—	1	—
	M6W		C	3304-5 EOW	—	—	—	1	—
	M3X, M4X, M6X		C	3304-5 EOX	—	—	—	1	—
	M3Y		C	3304-5 EOY	—	—	—	1	—
	H3D, H6D		C	3478-9 EOB	—	—	—	1	—
	H3G		C	3478-9 EOF	—	—	—	1	—
	H3Q		C	3478-9 EQQ	—	—	—	1	—
	H6T		C	3478-9 ETT	—	—	—	1	—

NOTE: A letter code in the carline column indicates the carline for which the part is released as follows:

CARLINES Indicate: B - Barracuda V - Valiant R - Belvedere P - Plymouth C - Chrysler
 L - Dart W - Coronet D - Dodge Y - Imperial

AR Indicates use as required.

★ Indicates change or addition.

Right and left part numbers are on same line,
 first number is right, second number is left.

Printed in U.S.A.
 January 1971

CODE	PART NAME	CAR LINE	PART NUMBER	Sed.	4 D.H.T.	Sta. Wgn.	2 D.H.T.	Sp. 2 D.H.T.	Conv.
23-101-3	PANEL, Rear Quarter Trim Cont'd.								
	H6W	C	3478-9 EWX				1		
	H3Y	C	3478-9 EOY				1		
	H3X, H6X	C	3478-9 EOX						1
	E2D	C	3302-3 EOB						1
	E6T	C	3302-3 EOT						1
	E6W	C	3302-3 EOW						1
	E2X, E6X	C	3302-3 EOX						1
	E2Y	C	3302-3 EOY						1
	M6D	C	3306-7 EOB						1
	M6G	C	3306-7 EOF						1
	M6T	C	3306-7 EOT						1
	M6W	C	3306-7 EOW						1
	M6X	C	3306-7 EOX						1
	M3D	Y	3332-3 EOB			1			
	M3G	Y	3332-3 EOF			1			
	M3K	Y	3332-3 ETT			1			
	M3M	Y	3332-3 EOM			1			
	M3Q	Y	3332-3 EQQ			1			
	M3X	Y	3332-3 EOX			1			
	MRB	Y	3372-3 EBB			1			
	MRB	Y	3372-3 EOB			1			
	MRB	Y	3372-3 EOF			1			
	MRB	Y	3372-3 ETT			1			
	MRB	Y	3372-3 EOM			1			
	MRB	Y	3372-3 EQQ			1			
	MRB	Y	3372-3 EWX			1			
	MRB	Y	3372-3 EOT			1			
	MRB	Y	3372-3 EOX			1			
	Fastener	V,B,L,R, W,P,D,C,Y	6001 121	AR			AR	AR	AR
	Fastener	W	6002 124					6	
	Qtr. Upper Trim Panel								
	LOWER QTR. FRT. TRIM COVER								
	E1D, E2D, L3D, M1D, M4D, D1D, MDD, MSD, L4D, M6D, H1D, H7D	C,Y	3530-1 EB9	1	1				
	MSB	Y	3530-1 EB3		1				
	L4E, L7E, M4E, H7E	C	3530-1 EE9	1	1				
	E1G, M1G	C,Y	3530-1 EF3	1	1				
	L3G, M3G, M6G, D1G, MDG, MSG, H1G	C,Y	3530-1 EF8	1	1				
	E1L, L7L, M5L, H7L, H8L	C	3530-1 EL3	1	1				
	E1Q, L3Q, M1Q, D1Q, MDQ, H1Q	C,Y	3530-1 EQ4	1	1				
	E2T, M6T, HST	C	3530-1 ET4	1	1				
	M1K, D1K, MDK	Y	3530-1 ET1	1	1				
	MSR	Y	3530-1 ER6		1				
	MST	Y	3530-1 ET8		1				
	M6W, MSW	C,Y	3530-1 EW1		1				
	E1X, E2X, L3X, L4X, L8X, M1X, M3X, M4X, M6X, D1X, MDX, MSX, H1X, H8X	C,Y	3530-1 EX9	1	1				
	E2Y, L3Y, M3Y, MSY, H1Y	C,Y	3530-1 EY4	1	1				
	M1M, D1M, MDM	Y	3530-1 EM9	1	1				
	MSN	Y	3530-1 EY9		1				
	2 DOOR								
	E1B, L1B, L2B, M6B	P,D	3584-5 EB3	1			1		1
	E1D, E2D, L3D, M3D, M4D, M6D, MBD, H3D, H6D	C,Y	3584-5 EB9				1		1
	M1D, M4D, H4D, H6D, P3D	P,D	3584-5 EB7				1		1
	M4S, H6S	P	3584-5 EA4				1		
	E1G, L1G, L2G, M6G	C,D	3584-5 EF3				1		1

NOTE: A letter code in the carline column indicates the carline for which the part is released as follows:

CARLINES Indicate:	B - Barracuda	V - Valiant L - Dart	R - Belvedere W - Coronet	P - Plymouth D - Dodge	C - Chrysler Y - Imperial
--------------------	---------------	-------------------------	------------------------------	---------------------------	------------------------------

AR Indicates use as required.
★ Indicates change or addition.

Right and left part numbers are on same line,
first number is right, second number is left.

Printed in U.S.A.
January 1971

CODE	PART NAME	CAR LINE	PART NUMBER	Sed.	4 D.H.T.	Sta. Wgn.	2 D.H.T.	Sp. 2 D.H.T.	Conv.
23-101-3	PANEL, Rear Quarter Trim Cont'd.								
	L3G, L6G, M1G, M3G, M4G, M6G, H3G, H4G, H6G	P,D,C,Y	3584-5 EF8	—	—	—	1	—	1
	E1L, L5L, M5L	P,C	3584-5 EL3	1	—	—	1	—	—
	E2T, E6T, K1T, K2T, L2T, L6T, M4T, M6T, H4T, H6T, P4T	P,D,C	3584-5 ET4	1	—	—	1	—	1
	M3K, MBK	Y	3584-5 ET1	—	—	—	1	—	—
	MRT	Y	3584-5 ET8	—	—	—	1	—	—
	E1Q, L3Q, MBQ, H3Q	C,Y	3584-5 EQ4	—	—	—	1	—	—
	E6W, L2W, L6W, M4W, M6W, MRW, H6W, P4W	P,D,C,Y	3584-5 EW1	—	—	—	1	—	1
	E2Y, L1Y, L3Y, M3Y, H3Y, H4Y, H6Y	D,C	3584-5 EY4	—	—	—	1	—	1
	H6N, P4N	P	3584-5 EY9	—	—	—	1	—	1
	M4R, H6R	P	3584-5 ER6	—	—	—	1	—	1
	M4E	C	3584-5 EE9	—	—	—	1	—	—
	M3M, MBM	Y	3584-5 EM9	—	—	—	1	—	—
	E1X, E2X, E6X, L2X, L3X, L6X, M1X, M3X, M4X, M6X, MBX, MRX, H3X, H4X, H6X P3X, P6X, PPX	P,D,C,Y	3584-5 EX9	1	—	—	1	—	1
	LOWER QTR. FRT. TRIM COVER								
	E1B, L1B, L2B	P	3518-9 EB3	1	—	—	—	—	—
	M1D, M4D, P3D	P	3518-9 EB7	1	1	—	—	—	—
	L1G	P	3518-9 EF3	1	—	—	—	—	—
	M4S	P	3518-9 EA4	1	1	—	—	—	—
	M1G, M4G, P3G	P	3518-9 EF8	1	1	—	—	—	—
	E1L, L1L, M1L	P	3518-9 EL3	1	—	—	—	—	—
	L2R, M1R, M4R	P	3518-9 ER6	1	1	—	—	—	—
	K1T, K2T, L2T, M4T, P4T	P	3518-9 ET4	1	1	—	—	—	—
	P4W	P	3518-9 EW1	—	1	—	—	—	—
	P4N	P	3518-9 EY9	—	1	—	—	—	—
	L2X, M1X, M4X, M8X, P3X, P8X, PPX	P	3518-9 EX9	1	1	—	—	—	—
	LOWER QTR. REAR TRIM COVER								
	Left Side								
	E2B, M4D, L2B, H4D	P,D	3583 EB7	—	—	1	—	—	—
	L2G, M4G, H4G	P,D	3583 EF8	—	—	1	—	—	—
	E2L	P	3583 EL3	—	—	1	—	—	—
	E2R, L2R, M4R	P	3583 ER6	—	—	1	—	—	—
	L2T, M4T, H4H, H4T	P,D	3583 ET4	—	—	1	—	—	—
	L2X, M4X, M4S, M8X, H4X, H8X	P,D	3583 EX9	—	—	1	—	—	—
	L2W	P	3583 EW1	—	—	1	—	—	—
	RR. QTR. UPPER TRIM PANEL								
	4 DOOR								
	E1D, E2D, L3D, L4D	C	3594-5 EB9	1	—	—	—	—	—
	L4E, L7E	C	3594-5 EE9	1	—	—	—	—	—
	E1G	C	3594-5 EF2	1	—	—	—	—	—
	L3G	C	3594-5 EF7	1	—	—	—	—	—
	E1L, L7L	C	3594-5 EL1	1	—	—	—	—	—
	E1Q, L3Q	C	3594-5 EQ3	1	—	—	—	—	—
	E1X, E2X, L3X, L4X, L8X	C	3594-5 EX9	1	—	—	—	—	—
	E2Y, L3Y	C	3594-5 EY1	1	—	—	—	—	—
	Fastener and Seal, Qtr. Trim	V,B,L							
	Screw, Lower Quarter Front Trim Cover Attaching								
	2 DOOR	P,D,C,Y	9420 813	6	—	—	6	6	6
		R,W	6000 121	6	—	—	6	—	—
21-101-33	SUPPORT, Quarter Inside Panel Trim								
		B	2839 320-1	—	—	—	—	—	1
		L	2784 666-7	—	—	—	—	—	1

NOTE: A letter code in the carline column indicates the carline for which the part is released as follows:

CARLINES Indicate:	B - Barracuda	V - Valiant	R - Belvedere	P - Plymouth	C - Chrysler
		L - Dart	W - Coronet	D - Dodge	Y - Imperial

AR Indicates use as required.

★ Indicates change or addition.

Right and left part numbers are on same line,
first number is right, second number is left.

Printed in U.S.A.
January 1971

CODE	PART NAME	CAR LINE	PART NUMBER	Sed.	4 D.H.T.	Sta. Wgn.	2 D.H.T.	Sp. 2 D.H.T.	Conv.
23-101-33	SUPPORT, Quarter Inside Panel Trim Cont'd.								
	EXTENSION, Qtr. Support to Qtr. Panel	W	2876 194-5	—	—	—	—	1	—
	BRACKET, Quarter Trim Panel to Quarter								
	Inner Panel	C	2879 486-7	—	—	—	—	—	1
		P,D	2879 488-9	—	—	—	—	—	1
23-102-3	PANEL, Shelf Trim								
		B	1312 DX8	—	—	—	1	—	—
		V	1301 EX8	1	—	—	—	—	—
		L	1321 EX8	1	—	—	—	—	—
		P,D	1373 FX9	1	—	—	—	—	—
	2 DOOR	R,W	1361 EX8	1	—	—	1	—	—
		L	1318 EX8	—	—	—	1	—	—
		P,D,C	1304 EX9	—	—	—	1	—	—
		W	1367 EX8	—	—	—	—	1	—
	w/o Rr. window Defogger	W	1367 EX8	—	—	—	—	1	—
	w/Rr. Speaker	R,W	1306 EX8	1	—	—	—	—	—
		Y	1341 EX9	1	—	—	—	—	—
		Y	1380 FX9	—	1	—	—	—	—
		Y	1325 EX9	—	—	—	1	—	—
		B	1312 DX8	—	—	—	—	1	—
		C	1363 EX9	1	1	—	—	—	—
	2 DOOR	P,D	1364 EX9	1	1	—	—	1	—
	Screw and Washer, shelf trim. pnl.								
	to pnl.	P,D,C,Y	6028 259	2	2	—	2	—	—
	Screw, Shelf Trim Panel Att.	P,D,C,Y	9416 049	AR	AR	—	AR	—	—
	Washer, Shelf Trim Panel Att.	P,D,C,Y	9417 714	AR	AR	—	AR	—	—
	Fastener, Shelf Trim Panel Att.	W	6000 121	—	—	—	—	2	—
	Washer, Shelf Trim Panel Shoulder Belt								
	Hole Plug Att.	Y	6027 294	—	2	—	2	—	—
	Fastener	V,B,L	6000 903	2	—	—	2	—	—
	Black	W	3412 258	—	—	—	—	1	—
23-102-11	CLAMP, Shelf Trim Panel								
	BENCH SEATS								
		R,W	2876 665	2	—	—	2	2	—
	Finish Pnl. MLDG. Ret.	P,D,C	2876 665	—	—	AR	—	—	—
23-103-3	PANEL, Visor Trim								
	CODES								
	L1B, L2B, D1B, D2B, X2B, H1B, H2B								
	H4B, H6B, H6C, P3D, P6B, P6D, P6C,								
	C6D, C6R	V,L,R,W	1112 EB7	2	—	—	2	2	—
	H4B, H4C, H6B, H6C, D6B.	B	1112 EB5	—	—	—	2	2	—
	M6F, M6G, X1G, H1G, H2G, H2F, H4F								
	P3G, P6G, P6F, D6J, C6G, CRG	V,B,L,R,W	1112 EF8	2	—	—	2	2	—
	L1R, D2R, D4R, D6R, M6R, M6R, H2R, H4R, H6R								
	H4V, H6V, P6R, P6V, C6R	V,B,L,R,W	1112 ER7	2	—	—	2	2	—
	H1Y, H2Y, H4Y, H6Y, P3Y, P6Y, H6E	V,L,W	1112 EY4	2	—	—	2	—	—
	Black	V,B,I,R,W	1112 DX9	2	—	—	2	2	—
	White	V,R,W	1112 EW1	2	—	—	—	—	—
	All codes	R,W	1112 EW1	—	—	2	—	—	—
	M6C, M6F, M6W, H2C, H2F, H2V, H2W,								
	H2H, H4C, H4F, H4V, H4W, H6W, P6C,								
	P6V, P6F, P6W, P6H.	B,L,R	1112 EW1	—	—	—	2	—	—
	L1T, L2T, D2T, D6T, X1T, X2T, K1T, K2T, T2T,								
	M2T, M6T, H1T, H2T, P3T, P6T, C6T, CRT.	V,B,L,R,W	1112 ET1	2	—	—	2	2	—
		L,R,W							
	H6B, H6C, D6B.	B	1107 EB5	—	—	—	—	—	2
	P2B, P6B	L	1107 EB7	—	—	—	—	—	2
	D6G, P6G	B,L	1107 EF8	—	—	—	—	—	2

NOTE: A letter code in the carline column indicates the carline for which the part is released as follows:

CARLINES Indicate:	V - Valiant	R - Belvedere	P - Plymouth	C - Chrysler
B - Barracuda	L - Dart	W - Coronet	D - Dodge	Y - Imperial

AR Indicates use as required.
 ★ Indicates change or addition.

Right and left part numbers are on same line,
 first number is right, second number is left.

Printed in U.S.A.
 January 1971

CODE	PART NAME	CAR LINE	PART NUMBER	Sed.	4 D.H.T.	Sta. Wgn.	2 D.H.T.	Sp. 2 D.H.T.	Conv.
23-103-3	PANEL, Visor Trim Cont'd.								
	H6R, D6R, P2R, P6R	B,L	1107 ER7	—	—	—	—	—	2
	D6T	B	1107 ET5	—	—	—	—	—	2
	P2W, P6W, P6C, P6F	L	1107 EW1	—	—	—	—	—	2
	P6Y	L	1107 EY4	—	—	—	—	—	2
	M6B, H2B, P2D, P6D	R,W	1109 EB7	—	—	—	—	—	2
	P2G, P6G	W	1109 EF8	—	—	—	—	—	2
	P6R	W	1109 ER7	—	—	—	—	—	2
	M6T, H2T, P6T	R,W	1109 ET5	—	—	—	—	—	2
	M6C, M6H, M6W, H2C, H2H, H2W, P2W, P6C, P6H, P6W, P6F, P6V	R,W	1109 EW1	—	—	—	—	—	2
	M6X, H2X, P2X, P6X	R,W	1109 DX9	—	—	—	—	—	2
	E1B, E2B, L1B, L2B, M1B, M1D, M2B M4D, M6D, H1D, H4D, H6D, P3D, P6D, X2B, S7B	P,D	1115 EB7	2	2	2	2	2	—
	L1G, L2G, M1G, M4G, M6G, H1G, H4G, H6G H7G, P3G, P6G, S7G	P,D	1192 EF8	2	2	2	2	2	—
	E2R, L2R, M1R, M2R, M4R, H1R, H4R, H6R, P6R, X2R	P,D	1115 ER7	2	2	2	2	—	—
	L1Y, H1Y, H4Y, H6Y	D	1192 EY4	2	2	—	2	—	—
	E1L, E2L, L1L, M1L, H1L	P,D	1192 EL1	2	—	2	—	—	—
	K1T, K2T, L2T, M2T, M4T, M6T, H4T, H6T, P4T, P6T, X2T	P,D	1115 ET1	2	2	—	2	—	—
	L2T, M2T, M4T, H4T, H4H, H8T, P4T w/o AIR COND.	P,D	1115 ET5	—	—	2	—	2	—
	E2B, E2L, E2R, L2B, L2R, L2T, L2G, L2W, M4W M4D, M4G, M4R, M4S, M2W, M2X, M4T, M4X, M8X, H4D, H4G, H4H, H4T, H4X, H8X H8T w/Air Cond.	P,D	1115 EW1	—	—	2	—	—	—
	L2W, M4W, H6W, P4W, P6W, M6W, H6W, H8X	P,D	1115 EW1	—	2	2	2	2	—
	X4X, X6X R.H.D.	P	1115 EW1	2	2	—	—	—	—
	L1X, L2X, L2L, K1A, K2A, M1X, M2X M4X, M4S, M6X, M8X, H1X, H4X H6X, H4S, H7X, H8X, P3X, P4X, P6X, P8X, PPX, S7X, P6S	P,D	1115 EX9	2	2	2	2	2	—
	E1D, E2D, L3D, L4D, L7D, M4D, H1D, H3D, H6D, H7D	C	1115 EB9	2	2	—	2	—	—
	E4E, L4E, L7E, M4E, H7E	C	1115 EE9	2	2	2	2	—	—
	E1L, L5L, L7L, M5L, H7L, H8L	C	1192 EL1	2	2	—	2	—	—
	E1Q, L3Q, H1Q, H3Q	C	1115 EQ3	2	2	—	2	—	—
	E2T, E6T, L6T, M6T, HST, H6T	C	1115 ET1	2	2	2	2	—	—
	E4T, E8T	C	1115 ET5	—	—	2	—	—	—
	E4X, E6W, E7L, E8X, L6W, M6W, H6W	C	1115 EW1	2	2	2	2	—	—
	E1X, E2X, E6X, L3X, L4X, L6X, L8X, M3X, M4X, M6X, H1X, H3X, H6X, H8X	C	1115 EX9	2	2	2	2	—	—
	E4D, E4E, E4G, E4T, E8G, E8T, w/Air Cond.	C	1115 EW1	—	—	2	—	—	—
	E4D w/o Air Cond.	C	1115 EB7	—	—	2	—	—	—
	E4G, E8G w/o Air Cond.	C	1115 EF8	—	—	2	—	—	—
	E1G, L3G, M3G, M6G, H1G, H3G	C	1115 EF8	2	2	—	2	—	—
	E2Y, L3Y, M3Y, H1Y, H3Y	C	1115 EY4	2	2	—	2	—	—
	D1D, MRB, M1D, MBD, MDD, MSD, MSB	Y	1115 EB9	2	2	—	2	—	—
	D1G, M1G, MBG, MRG, MDG, MSG	Y	1115 EF8	2	2	—	2	—	—
	MSR	Y	1115 ER7	—	2	—	—	—	—
	D1K, M1K, MBK, MRT, MBK, MST	Y	1115 ET1	2	2	—	2	—	—
	D1M, M1M, MBM, MDM	Y	1115 EM9	2	2	—	2	—	—

NOTE: A letter code in the carline column indicates the carline for which the part is released as follows:

CARLINES Indicate:	B - Barracuda	V - Valiant	R - Belvedere	P - Plymouth	C - Chrysler
		L - Dart	W - Coronet	D - Dodge	Y - Imperial

AR Indicates use as required.

★ Indicates change or addition.

Right and left part numbers are on same line,
first number is right, second number is left.

Printed in U.S.A.
January 1971

CODE	PART NAME	CAR LINE	PART NUMBER	Sed.	4 D.H.T.	Sta. Wgn.	2 D.H.T.	Sp. 2 D.H.T.	Conv.
23-103-3	PANEL, Visor Trim Cont'd.								
	D1Q, M1Q, MB, MDQ	Y	1115 EQ3	2	2	—	2	—	—
	MRW, MSW	Y	1115 EW1	—	2	—	2	—	—
	M1X, D1X, MBX, MRX, MDX, MSN, MSX	Y	1115 EX9	2	2	—	2	—	—
	H6X, H6W, D6X, D6P, P2X, P6X	B,L	1107 DX9	—	—	—	—	—	2
	L2B, M4D, M6B, H6D, P6D	P,D	1111 EB7	—	—	—	—	—	2
	E2D, M6D	C	1111 EB9	—	—	—	—	—	2
	L2G, M6G	D,C	1111 EF8	—	—	—	—	—	2
	M4R, H6R, H4R, P6R	P	1111 ER7	—	—	—	—	—	2
	E6T, M6T	C	1111 ET5	—	—	—	—	—	2
	E6W, L2W, M4W, M6W, H6W, H4W, P6W	P,D,C	1111 EW1	—	—	—	—	—	2
	E2X, E6X, L2X, M4X, M6X, H6X, H4X, P6X	P,D,C	1111 EX9	—	—	—	—	—	2
	E2Y	C	1111 EY4	—	—	—	—	—	2
23-103-10	ARM and BRACKET, Visor								
	Bright	V,B,L,R,W	2999 670-1	1	—	1	1	1	—
		P,D,C	2945 890-1	—	—	—	—	—	1
		P,D,C,Y	2878 882	2	2	2	2	2	—
	Washer, Arm Tension Spring	B,L,R,W	6000 106	—	—	—	—	—	4
	Screw, Visor Brkt. Att.	P,D,C,Y	9414 764	6	6	6	6	6	—
	Washer, Visor Arm and Brkt. Spring	V,B,L,R,W, P,D,C,Y	6000 106	2	2	2	2	2	—
23-103-16	SUPPORT, Visor Arm Center								
	CODES								
	L2B, M6B	D	3701 EB3	—	—	—	—	—	1
	M4D, H6D	P	3701 EB7	—	—	—	—	—	1
	E2D, M6D	C	3701 EB9	—	—	—	—	—	1
	L2G, M6G	P	3701 EF3	—	—	—	—	—	1
	M6G	C	3701 EF8	—	—	—	—	—	1
	E6T, M6T	C	3701 ET4	—	—	—	—	—	1
	L2W, M6W, E6W	D,C	3701 EW1	—	—	—	—	—	1
	M4W, M4X, H6W, H6X, L2X, M6X, E2X, E6X	P,D,C	3701 DX9	—	—	—	—	—	1
	H4D, P6D	D	3701 EB7	—	—	—	—	—	1
	M4R, H4R, H6R, P6R	P,D	3701 ER6	—	—	—	—	—	1
	H4W, P6W, H4X, P6X	D	3701 EX9	—	—	—	—	—	1
	E2Y	C	3701 EY4	—	—	—	—	—	1
23-103-48	SUPPORT, Visor Inner	V,B,L,R,W							
		P,D,C,Y	2789 036	2	2	2	2	2	2
23-103-49	TIP, Visor Inner Support	V,B,L,R,W, P,D,C,Y	2789 037	2	2	2	2	2	2
23-108-4	CUSHION, Front Seat								
	For Complete Assembly Order By Description, Vehicle Serial Number And Trim Code: For Cover Only See Part Type Code 23-108-5								
23-108-5	COVER, Front Seat Cushion								
	2 DOOR								
	CODES								
	L1B	V	5855 E1B	1	—	—	—	—	—
	L1R	V	5855 E1R	1	—	—	—	—	—
	L1X	V	5855 E1X	1	—	—	—	—	—
	4 DOOR								
	L1B	V,L	5857 E1B	1	—	—	—	—	—
	L1R	V,L	5857 E1R	1	—	—	—	—	—
	L1X	V,L	5857 E1X	1	—	—	—	—	—
	2 DOOR								
	L2B	V,L	5801 E2B	1	—	—	1	—	—
	L2X	L	5801 E2X	1	—	—	1	—	—
	L2T	V	5801 E2T	1	—	—	—	—	—

NOTE: A letter code in the carline column indicates the carline for which the part is released as follows:

CARLINES Indicate:	V - Valiant L - Dart	R - Belvedere W - Coronet	P - Plymouth D - Dodge	C - Chrysler Y - Imperial
	B - Barracuda			

AR Indicates use as required.
★ Indicates change or addition.

Right and left part numbers are on same line,
first number is right, second number is left.

Printed in U.S.A.
January 1971

CODE	PART NAME	CAR LINE	PART NUMBER	Sed.	4 D.H.T.	Sta. Wgn.	2 D.H.T.	Sp. 2 D.H.T.	Conv.
23-108-5	COVER, Front Seat Cushion Cont'd.								
	4 DOOR								
	L2B	V,L	5806 E2B	1	—	—	—	—	—
	L2T	L	5806 E2T	1	—	—	—	—	—
	L2X	L	5806 E2X	1	—	—	—	—	—
	2 DOOR								
	D1B, H1B	V	5803 E1B	1	—	—	—	—	—
	H1G	V	5803 E1G	1	—	—	—	—	—
	D1X, H1X	V	5803 E1X	1	—	—	—	—	—
	4 DOOR								
	D1B, H1B	V	5802 E1B	1	—	—	—	—	—
	H1G	V	5802 E1G	1	—	—	—	—	—
	D1X, H1X	V	5802 E1X	1	—	—	—	—	—
	H2B, D2B Up To Build Date 8-1-69	V	5807 E2B	1	—	—	—	—	—
	H2R, D2R Up To Build Date 8-1-69	V	5807 E2R	1	—	—	—	—	—
	H2X, D2X Up To Build Date 8-1-69	V	5807 E2X	1	—	—	—	—	—
	H2Y Up To Build Date 8-1-69	V	5807 E2Y	1	—	—	—	—	—
	H2B, D2B After Build Date 8-1-69	V	5807 E2D	1	—	—	—	—	—
	D2R, H2R After Build Date 8-1-69	V	5807 E2H	1	—	—	—	—	—
	D2X, H2X After Build Date 8-1-69	V	5807 E2A	1	—	—	—	—	—
	H2Y After Build Date 8-1-69	V	5807 E2O	1	—	—	—	—	—
	H4B, D4B Up To Build Date 8-1-69	V	5822 E4B	1	—	—	—	—	—
	H4R, D4R Up To Build Date 8-1-69	V	5822 E4R	1	—	—	—	—	—
	H4X, D4X Up To Build Date 8-1-69	V	5822 E4X	1	—	—	—	—	—
	H4Y Up To Build Date 8-1-69	V	5822 E4Y	1	—	—	—	—	—
	H4B, D4B After Build Date 8-1-69	V	5822 E4D	1	—	—	—	—	—
	H4R, D4R After Build Date 8-1-69	V	5822 E4H	1	—	—	—	—	—
	H4X, D4X After Build Date 8-1-69	V	5822 E4A	1	—	—	—	—	—
	H4Y After Build Date 8-1-69	V	5822 E4O	1	—	—	—	—	—
	H6X Up To Build Date 8-1-69	V	8684 E6X	2	—	—	—	—	—
	H6C, H6E, H6F, H6V, H6W Up To Build Date 8-1-69 ..	V	8684 E6W	2	—	—	—	—	—
	H6X After Build Date 8-1-69	V	8684 E6A	2	—	—	—	—	—
	H6C, H6E, H6F, H6V, H6W After Build Date 8-1-69 ..	V	8684 E6K	2	—	—	—	—	—
	L2B, H2B	B	5014 E2B	—	—	—	1	1	—
	L2R, H2R	B	5014 E2R	—	—	—	1	1	—
	L2X, H2X	B	5014 E2X	—	—	—	1	1	—
	H4B	B	8654 E4B	—	—	—	1	1	—
	H4W, H4C, H4F, H4V	B	8654 E4W	—	—	—	1	1	—
	H4X	B	8654 E4X	—	—	—	1	1	—
	H6B	B	8350 E6B	—	—	—	2	2	2
	H6G	B	8350 E6G	—	—	—	2	2	—
	H6R	B	8350 E6R	—	—	—	2	2	2
	H6C, H6F, H6V, H6W	B	8350 E6W	—	—	—	2	2	2
	H6X	B	8350 E6X	—	—	—	2	2	2
	F6J	B	8350 E6J	—	—	—	2	—	—
	F6P	B	8350 E6P	—	—	—	2	—	—
	D6B	B	5800 E6B	—	—	—	2	2	2
	D6G	B	5800 E6G	—	—	—	2	2	2
	D6X	B	5800 E6X	—	—	—	2	2	2
	D6P	B	5800 E6P	—	—	—	2	2	2
	D6R	B	5800 E6R	—	—	—	2	2	2
	D6T, D6J, D6U	B	5800 E6T	—	—	—	2	2	2
	H1B	L	5814 E1B	1	—	—	—	—	—
	H1G	L	5814 E1G	1	—	—	—	—	—
	H1L	L	5814 E1L	1	—	—	—	—	—
	H1X	L	5814 E1X	1	—	—	—	—	—
	H2B	L	5817 E2B	1	—	—	—	—	—
	H2G	L	5817 E2G	1	—	—	—	—	—

NOTE: A letter code in the carline column indicates the carline for which the part is released as follows:

CARLINES Indicate:	B - Barracuda	V - Valiant L - Dart	R - Belvedere W - Coronet	P - Plymouth D - Dodge	C - Chrysler Y - Imperial
--------------------	---------------	-------------------------	------------------------------	---------------------------	------------------------------

AR Indicates use as required.

★ Indicates change or addition.

Right and left part numbers are on same line,
first number is right, second number is left.

Printed in U.S.A.

January 1971

CODE	PART NAME	CAR LINE	PART NUMBER	Sed.	4 D.H.T.	Sta. Wgn.	2 D.H.T.	Sp. 2 D.H.T.	Conv.
23-108-5	COVER, Front Seat Cushion Cont'd.								
	H2T	L	5817 E2T	1	—	—	—	—	—
	H2X	L	5817 E2X	1	—	—	—	—	—
	H2B	L	5816 E2B	—	—	—	1	—	—
	H2G	L	5816 E2G	—	—	—	1	—	—
	H2R	L	5816 E2R	—	—	—	1	—	—
	H2T	L	5816 E2T	—	—	—	1	—	—
	H2X	L	5816 E2X	—	—	—	1	—	—
	H2C, H2W	L	5816 E2W	—	—	—	1	—	—
	H6B	L	8381 E6B	2	—	—	—	—	—
	H6X	L	8381 E6X	2	—	—	—	—	—
	P6B, S6B	L	5819 E6B	—	—	—	—	1	1
	P6G, S6G	L	5819 E6G	—	—	—	—	1	1
	P6R, S6R	L	5819 E6R	—	—	—	—	1	1
	P6W, P6C, P6E, P6F, S6W, S6C, S6F	L	5819 E6W	—	—	—	—	1	1
	P6X, S6X	L	5819 E6X	—	—	—	—	1	1
	P6Y, S6Y	L	5819 E6Y	—	—	—	—	1	1
	D2B	L	5825 E2B	—	—	—	1	—	—
	D2T	L	5825 E2T	—	—	—	1	—	—
	D2X	L	5825 E2X	—	—	—	1	—	—
	P2B	L	8589 E2B	—	—	—	—	—	1
	P2R	L	8589 E2R	—	—	—	—	—	1
	P2W	L	8589 E2W	—	—	—	—	—	1
	P2X	L	8589 E2X	—	—	—	—	—	1
	4 DOOR								
	K1T	R,W	5835 E1T	1	—	—	—	—	—
	2 DOOR								
	K1T	R,W	5836 E1T	1	—	—	—	—	—
	4 DOOR								
	K2T, T2T	R,W	5837 E2T	1	—	—	—	—	—
	T2X	R,W	5837 E2X	1	—	—	—	—	—
	2 DOOR								
	K2T	R,W	5838 E2T	1	—	—	—	—	—
	L1B	W	5844 E1B	1	—	—	—	—	—
	L1L	W	5844 E1L	1	—	—	—	—	—
	L1X	W	5844 E1X	1	—	—	—	—	—
	L1B	R	5823 E1B	1	—	—	—	—	—
	L1T	R	5823 E1T	1	—	—	—	—	—
	6 Pass.								
	L2B	R	5829 E2B	—	—	1	—	—	—
	L2T	R	5829 E2T	—	—	1	—	—	—
	2 DOOR								
	M2B	R,W	5818 E2B	1	—	—	—	—	—
	M2S	R,W	5818 E2S	1	—	—	—	—	—
	M2T	R,W	5818 E2T	1	—	—	—	—	—
	M2X	R,W	5818 E2X	1	—	—	—	—	—
	H1A	R	5827 E1A	1	—	—	—	—	—
	H1B	R	5827 E1B	1	—	—	—	—	—
	H1G	R	5827 E1G	1	—	—	—	—	—
	H1T	R	5827 E1T	1	—	—	—	—	—
	H1X	R	5827 E1X	1	—	—	—	—	—
	H1B	R	5828 E1B	—	—	—	1	—	—
	H1G	R	5828 E1G	—	—	—	1	—	—
	H1X	R	5828 E1X	—	—	—	1	—	—
	H2B, P2B, X2B	R	5830 E2B	1	—	1	—	—	—
	P2G, H2G	R	5830 E2G	—	—	1	—	—	—
	P2S, H2S	R	5830 E2S	—	—	1	—	—	—
	H2T, P2T, X2T	R	5830 E2T	1	—	1	—	—	—

NOTE: A letter code in the carline column indicates the carline for which the part is released as follows:

CARLINES Indicate:	V - Valiant	R - Belvedere	P - Plymouth	C - Chrysler
B - Barracuda	L - Dart	W - Coronet	D - Dodge	Y - Imperial

AR Indicates use as required.
 ★ Indicates change or addition.

Right and left part numbers are on same line,
 first number is right, second number is left.

Printed in U.S.A.
 January 1971

1969 PASSENGER CAR PARTS CATALOG

INTERIOR TRIM

CODE	PART NAME	CAR LINE	PART NUMBER	Sed.	4 D.H.T.	Sta. Wgn.	2 D.H.T.	Sp. 2 D.H.T.	Conv.
23-108-5	COVER, Front Seat Cushion Cont'd.								
	H2X, P2X, X2X	R	5830 E2X	1	—	1	—	—	—
	H2C, H2F, H2H, P2C, P2F, P2H	R	5830 E2W	1	—	1	—	—	—
	F2Q	R	5871 E2Q	—	—	—	1	—	—
	2 DOOR								
	H2B	R	5831 E2B	1	—	—	1	—	1
	H2G	R	5831 E2G	1	—	—	1	—	1
	H2S	R	5831 E2S	1	—	—	1	—	1
	H2T	R	5831 E2T	1	—	—	1	—	1
	H2X	R	5831 E2X	1	—	—	1	—	1
	H2C, H2H, H2W, H2F	R	5831 E2W	1	—	—	1	—	1
	P3B	R	5881 E3B	1	—	—	—	—	—
	P3G	R	5881 E3G	1	—	—	—	—	—
	P3T	R	5881 E3T	1	—	—	—	—	—
	P3X	R	5881 E3X	1	—	—	—	—	—
	P6D, M6B	R	5834 E6D	2	—	—	2	—	2
	P6G, M6G	R	5834 E6G	2	—	—	2	—	—
	P6R	R	5834 E6R	—	—	—	2	—	—
	P6S, M6S	R	5834 E6S	2	—	—	2	—	—
	P6T, M6T	R	5834 E6T	2	—	—	2	—	2
	P6W, P6C, P6F, P6V, M6C, M6F, M6H	R	5834 E6W	2	—	—	2	—	2
	P6X, M6X	R	5834 E6X	1	—	—	1	—	1
	CENTER CUSHION								
	M6B, P6D, C6D, CRD	R,W	6943 EB7	1	—	1	1	1	—
	M6G, P6G, C6G, CRG	R,W	6943 EF8	1	—	1	1	1	—
	M6R, P6R, C6R	R,W	6943 ER7	1	—	1	1	1	—
	P6S	R	6943 EA6	1	—	—	—	—	—
	M6T, P6T, C6T, CRT	R,W	6943 ET5	1	—	1	1	1	—
	M6C, M6W, M6F, M6H, P6C, P6F, P6H, P6V, C6W	R,W	6943 EW1	1	—	1	1	1	—
	M6X, P6X, C5X, C6X, CRX	R,W	6943 EX9	1	—	1	1	1	—
	4 DOOR								
	K1T	P	7434 E1T	1	—	—	—	—	—
	K1A	D	7434 E1A	1	—	—	—	—	—
	2 DOOR								
	K1T	P	7438 E1T	1	—	—	—	—	—
	K2T	P	7478 E2T	1	—	—	—	—	—
	4 DOOR								
	K2T	P	7356 E2T	1	—	—	—	—	—
	K2A	D	7356 E2A	1	—	—	—	—	—
	4 DOOR								
	E1B	P	5840 E1B	1	—	—	—	—	—
	E1L	P	5840 E1L	1	—	—	—	—	—
	2 DOOR								
	E1B	P	5841 E1B	1	—	—	—	—	—
	E1L	P	5841 E1L	1	—	—	—	—	—
	L1B	P	5854 E1B	1	—	—	—	—	—
	L1G	P	5854 E1G	1	—	—	—	—	—
	L1L	P	5854 E1L	1	—	—	—	—	—
	2 DOOR								
	L2B	P	5826 E2B	1	—	—	—	—	—
	L2T	P	5826 E2T	1	—	—	—	—	—
	L2X	P	5826 E2X	1	—	—	—	—	—
	4 DOOR								
	L2B	P	5832 E2B	1	—	1	—	—	—
	L2R	P	5832 E2R	1	—	1	—	—	—
	L2T	P	5832 E2T	1	—	1	—	—	—
	L2W	P	5832 E2W	—	—	1	—	—	—
	L2X	P	5832 E2X	1	—	1	—	—	—

NOTE: A letter code in the carline column indicates the carline for which the part is released as follows:

CARLINES Indicate:	B - Barracuda	V - Valiant	R - Belvedere	P - Plymouth	C - Chrysler
		L - Dart	W - Coronet	D - Dodge	Y - Imperial

AR Indicates use as required.
★ Indicates change or addition.

Right and left part numbers are on same line,
first number is right, second number is left.

Printed in U.S.A.
January 1971

CODE	PART NAME	CAR LINE	PART NUMBER	Sed.	4 D.H.T.	Sta. Wgn.	2 D.H.T.	SP-2 D.H.T.	Conv.
23-108-5	COVER, Front Seat Cushion Cont'd. 6 PASS.								
E2B		P	5842 E2B	—	—	1	—	—	—
E2L		P	5842 E2L	—	—	1	—	—	—
E2R		P	5842 E2R	—	—	1	—	—	—
M1D		P	7517 E1D	1	1	—	—	—	—
M1G		P	7517 E1G	1	1	—	—	—	—
M1L		P	7517 E1L	1	—	—	—	—	—
M1R		P	7517 E1R	1	—	—	—	—	—
M1X		P	7517 E1X	1	1	—	—	—	—
M1D		P	5821 E1D	—	—	—	1	1	—
M1G		P	5821 E1G	—	—	—	1	1	—
M1X		P	5821 E1X	—	—	—	1	1	—
M4D Up To Build Date 8-1-69		P	5856 E4D	1	1	1	1	1	1
M4G Up To Build Date 8-1-69		P	5856 E4G	1	1	1	1	1	—
M4R Up To Build Date 8-1-69		P	5856 E4R	1	1	1	1	1	—
M4S Up To Build Date 8-1-69		P	5856 E4S	1	1	1	1	1	—
M4T Up To Build Date 8-1-69		P	5856 E4T	1	1	1	1	—	—
M4W Up To Build Date 8-1-69		P	5856 E4W	—	—	—	1	—	1
M4X Up To Build Date 8-1-69		P	5856 E4X	1	1	1	1	1	1
M4D After Build Date 8-1-69		P	5856	1	1	1	1	1	1
M4G After Build Date 8-1-69		P	5856 E4F	1	1	1	1	1	—
M4R After Build Date 8-1-69		P	5856 E4H	—	1	1	1	—	1
M4S After Build Date 8-1-69		P	5856 E4V	1	1	1	1	1	—
M4T After Build Date 8-1-69		P	5856 E4N	1	1	1	1	—	—
M4W After Build Date 8-1-69		P	5856 E4K	—	—	—	1	—	1
M4X After Build Date 8-1-69		P	5856 E4A	1	1	1	1	1	1
M8X Black		P	8614-5 E8X	1	1	1	—	—	—
M8X Gray		P	8614-5 E8A	1	1	1	—	—	—
H6D		P	7253 E6D	—	—	—	2	2	2
H6G		P	7253 E6G	—	—	—	2	2	—
H6R		P	7253 E6R	—	—	—	2	—	2
H6S		P	7253 E6S	—	—	—	2	2	—
H6T		P	7253 E6T	—	—	—	2	—	—
H6W		P	7253 E6W	—	—	—	2	—	2
H6X		P	7253 E6X	—	—	—	2	2	2
L2B		D	5862 E2B	1	1	1	—	—	—
L2G		D	5862 E2G	1	1	1	—	—	—
L2T		D	5862 E2T	1	1	1	—	—	—
L2W		D	5862 E2W	—	1	—	—	—	—
L2X		D	5862 E2X	1	1	1	—	—	—
CENTER CUSHION									
H6S		P	6985 EA4	—	—	—	1	1	—
M6B		D	6985 EB3	—	—	—	1	—	1
H6D		P	6985 EB7	—	—	—	1	1	1
M6D, H6D		C	6985 EB9	—	1	—	1	—	1
M6G		D	6985 EF3	—	—	—	1	—	1
L6G, M6G, H6G		P,D,C	6985 EF8	—	1	—	1	1	1
E5L, M5L		C	6985 EL2	—	1	—	1	—	—
H6R		P	6985 ER7	—	—	—	1	—	1
E6T, L6T, M6T, H6T		P,D,C	6985 E5T	—	1	—	1	—	1
E6W, L6W, M6W, H6W		P,D,C	6985 EW1	—	1	—	1	—	1
E6X, L6X, M6X, H6X, P6X		P,D,C	6985 EX9	—	1	—	1	1	1
P3D		P	5891 E3D	—	1	—	1	1	—
P3G		P	5891 E3G	—	1	—	1	1	—
P3X		P	5891 E3X	—	1	—	1	1	—
P4T		P	5847 E4T	—	1	—	1	1	—
P4W		P	5847 E4W	—	1	—	1	1	—

NOTE: A letter code in the carline column indicates the carline for which the part is released as follows:

CARLINES Indicate:	B - Barracuda	V - Valiant L - Dart	R - Belvedere W - Coronet	P - Plymouth D - Dodge	C - Chrysler Y - Imperial
--------------------	---------------	-------------------------	------------------------------	---------------------------	------------------------------

AR Indicates use as required.

★ Indicates change or addition.

Right and left part numbers are on same line,
first number is right, second number is left.

Printed in U.S.A.

January 1971

1969 PASSENGER CAR PARTS CATALOG

INTERIOR TRIM

CODE	PART NAME	CAR LINE	PART NUMBER	Sed.	4 D.H.T.	Sta. Wgn.	2 D.H.T.	Sp. 2 D.H.T.	Conv.
23-108-5	COVER, Front Seat Cushion Cont'd.								
PPX		P	8569 EPX	—	—	—	1	1	—
P6X		P	8718 E6X	—	—	—	2	2	—
P8X		P	8698-9 E8X	—	1	—	—	—	—
L1B	Canada	P	C7830 E1B	—	—	—	1	—	—
L1G	Canada	P	C7830 E1G	—	—	—	1	—	—
L1L	Canada	P	C7830 E1L	—	—	—	1	—	—
L2B		P	5826 E2B	—	—	—	1	—	—
L2R		P	5826 E2R	—	—	—	1	—	—
L2T		P	5826 E2T	—	—	—	1	—	—
L2X		P	5826 E2X	—	—	—	1	—	—
X2B		P,D	5832 E2B	1	—	—	—	—	—
X2R		P,D	5832 E2R	1	—	—	—	—	—
X2T		P,D	5832 E2T	1	—	—	—	—	—
L1B	Canada	D	C7810 E1B	1	—	—	—	—	—
L1L	Canada	D	C7810 E1L	1	—	—	—	—	—
L2B		D	5842 E2B	—	—	1	—	—	—
L2L		D	5842 E2L	—	—	1	—	—	—
L2R		D	5842 E2R	—	—	1	—	—	—
K2A		D	7356 E2A	1	—	—	—	—	—
M1B		D	5854 E1B	1	—	—	—	—	—
M1G		D	5854 E1G	1	—	—	—	—	—
M1L		D	5854 E1L	1	—	—	—	—	—
M1B	Canada	D	C7830 E1B	—	—	—	1	—	—
M1G	Canada	D	C7830 E1G	—	—	—	1	—	—
M1L	Canada	D	C7830 E1L	—	—	—	1	—	—
M2B		D	5832 E2B	1	—	1	—	—	—
M2R		D	5832 E2R	1	—	1	—	—	—
M2T		D	5832 E2T	1	—	1	—	—	—
M2X		D	5832 E2X	1	—	1	—	—	—
M2W		D	5832 E2W	—	—	1	—	—	—
M2B		D	5826 E2B	—	—	—	1	—	—
M2R		D	5826 E2R	—	—	—	1	—	—
M2T		D	5826 E2T	—	—	—	1	—	—
M2X		D	5826 E2X	—	—	—	1	—	—
H1D	Canada	D	C7867 E1D	1	1	—	—	—	—
H1G	Canada	D	C7867 E1G	1	1	—	—	—	—
H1L	Canada	D	C7867 E1L	1	—	—	—	—	—
H1R	Canada	D	C7867 E1R	1	—	—	—	—	—
H1X	Canada	D	C7867 E1X	1	1	—	—	—	—
H1D	Canada	D	C7865 E1D	—	—	—	1	—	—
H1G	Canada	D	C7865 E1G	—	—	—	1	—	—
H1X	Canada	D	C7865 E1X	—	—	—	1	—	—
H4D	Canada	D	C7869 E4D	1	1	1	1	—	1
H4G	Canada	D	C7869 E4G	1	1	1	1	—	—
H4R	Canada	D	C7869 E4R	—	1	1	1	—	1
H4S	Canada	D	C7869 E4S	1	1	1	1	—	—
H4T	Canada	D	C7869 E4T	1	1	1	1	—	—
H4W	Canada	D	C7869 E4W	—	—	—	1	—	1
H4X	Canada	D	C7869 E4X	1	1	1	1	—	1
H8X	Canada	D	C7884-5 E8X	1	1	1	1	—	—
S7B		D	8860-1 E7B	1	1	—	—	—	—
S7G		D	8860-1 E7G	1	1	—	—	—	—
S7X		D	8860-1 E7X	1	1	—	—	—	—
P6D		D	7253 E6D	—	—	—	2	—	2
P6G		D	7253 E6G	—	—	—	2	—	—
P6R		D	7253 E6R	—	—	—	2	—	2
P6S		D	7253 E6S	—	—	—	2	—	—

NOTE: A letter code in the carline column indicates the carline for which the part is released as follows:

CARLINES Indicate:	V - Valiant	R - Belvedere	P - Plymouth	C - Chrysler
B - Barracuda	L - Dart	W - Coronet	D - Dodge	Y - Imperial

AR Indicates use as required.

★ Indicates change or addition.

Right and left part numbers are on same line,
first number is right, second number is left.

Printed in U.S.A.
January 1971

CODE	PART NAME	CAR LINE	PART NUMBER	Sed.	4 D.H.T.	Sta. Wgn.	2 D.H.T.	Sp. 2 D.H.T.	Conv.
23-108-5	COVER, Front Seat Cushion Cont'd.								
	P6T	D	7253 E6T	—	—	—	2	—	—
	P6W	D	7253 E6W	—	—	—	2	—	2
	P6X	D	7253 E6X	—	—	—	2	—	2
	COVER, FRONT SEAT CENTER CUSHION								
	P6D	D	6985 EB7	—	—	—	1	—	1
	P6G	D	6985 EF8	—	—	—	1	—	—
	P6R	D	6985 ER7	—	—	—	1	—	1
	P6S	D	6985 EA4	—	—	—	1	—	—
	P6T	D	6985 ET5	—	—	—	1	—	—
	P6W	D	6985 EW1	—	—	—	1	—	1
	P6X	D	6985 EX9	—	—	—	1	—	1
	L1B	W	5843 E1B	1	—	—	—	—	—
	L1L	W	5843 E1L	1	—	—	—	—	—
	L2B	W	5810 E2B	—	—	1	—	—	—
	L2T	W	5810 E2T	—	—	1	—	—	—
	D2X, L2X	R,W	5810 E2X	1	—	1	—	—	—
	2 DOOR								
	H1B	W	5846 E1B	1	—	—	—	—	—
	H1G	W	5846 E1G	1	—	—	—	—	—
	H1L	W	5846 E1L	1	—	—	—	—	—
	H1X	W	5846 E1X	1	—	—	—	—	—
	4 DOOR								
	H1B	W	5850 E1B	1	—	—	—	—	—
	H1G	W	5850 E1G	1	—	—	—	—	—
	H1Y	W	5850 E1Y	1	—	—	—	—	—
	H1X	W	5850 E1X	1	—	—	—	—	—
	2 DOOR								
	H2B	W	5852 E2B	1	—	—	1	—	—
	H2G	W	5852 E2G	1	—	—	1	—	—
	H2R	W	5852 E2R	—	—	—	1	—	—
	H2T	W	5852 E2T	1	—	—	1	—	—
	H2W, H2C, H2F	W	5852 E2W	1	—	—	1	—	—
	H2X	W	5852 E2X	1	—	—	1	—	—
	4 DOOR								
	H2B, X2B	W	5811 E2B	1	—	—	—	—	—
	H2T, X2T	W	5811 E2T	1	—	—	—	—	—
	H2X, X2X	W	5811 E2X	1	—	—	—	—	—
	D2D, P2D	W	5849 E2D	—	—	1	—	—	—
	D2G, P2G	W	5849 E2G	—	—	1	—	—	—
	D2T, P2T	W	5849 E2T	—	—	1	—	—	—
	D2X, P2X	W	5849 E2X	—	—	1	—	—	—
	P6D	W	5851 E6D	2	—	2	2	—	1
	P6G	W	5851 E6G	2	—	—	2	—	1
	P6R	W	5851 E6R	—	—	—	2	—	2
	P6T	W	5851 E6T	—	—	2	2	—	2
	P6W, P6C, P6F, P6V	W	5851 E6W	—	—	—	2	—	2
	P6X	W	5851 E6X	2	—	2	2	—	2
	C6D	W	5853 E6D	—	—	—	—	2	—
	C6G	W	5853 E6G	—	—	—	—	2	—
	C6R	W	5853 E6R	—	—	—	—	2	—
	C6T	W	5853 E6T	—	—	—	—	2	—
	C6W	W	5853 E6W	—	—	—	—	2	—
	C6X	W	5853 E6X	—	—	—	—	2	—
	C5X	W	5863 E5X	—	—	—	—	2	—
	CRD	W	7259 ERD	—	—	—	—	2	—
	CRG	W	7259 ERG	—	—	—	—	2	—
	CRT	W	7259 ERT	—	—	—	—	2	—

NOTE: A letter code in the carline column indicates the carline for which the part is released as follows:

CARLINES Indicate:	B - Barracuda	V - Valiant L - Dart	R - Belvedere W - Coronet	P - Plymouth D - Dodge	C - Chrysler Y - Imperial
--------------------	---------------	-------------------------	------------------------------	---------------------------	------------------------------

AR Indicates use as required.
★ Indicates change or addition.

Right and left part numbers are on same line,
first number is right, second number is left.

Printed in U.S.A.
January 1971

1969 PASSENGER CAR PARTS CATALOG

INTERIOR TRIM

CODE	PART NAME	CAR LINE	PART NUMBER	Sed.	4 D.H.T.	Sta. Wgn.	2 D.H.T.	Sp. 2 D.H.T.	Conv.	
23-108-5	COVER, Front Seat Cushion Cont'd.							2		
	CRX.....	W	7259 ERX	—	—	—	—	—	—	
	P2D.....	W	5812 E2D	—	—	—	—	—	1	
	P2G.....	W	5812 E2G	—	—	—	—	—	1	
	P2W.....	W	5812 E2W	—	—	—	—	—	1	
	P2X.....	W	5812 E2X	—	—	—	—	—	1	
	P3D.....	W	5833 E3D	1	—	—	—	—	—	
	P3G.....	W	5833 E3G	1	—	—	—	—	—	
	P3X.....	W	5833 E3X	1	—	—	—	—	—	
	P3Y.....	W	5833 E3Y	1	—	—	—	—	—	
	L1B.....	D	8051 E1B	1	1	—	—	—	—	
	L1G.....	D	8051 E1G	1	1	—	—	—	—	
	L1X.....	D	8051 E1X	1	1	—	—	—	—	
	L1Y.....	D	8051 E1Y	1	1	—	—	—	—	
	L1B.....	D	8036 E1B	—	—	—	1	—	—	
	L1G.....	D	8036 E1G	—	—	—	1	—	—	
	L1X.....	D	8036 E1X	—	—	—	1	—	—	
	L1Y.....	D	8036 E1Y	—	—	—	1	—	—	
	L2B.....	D	5862 E2B	1	1	1	—	—	—	
	L2G.....	D	5862 E2G	1	1	1	—	—	—	
	L2T.....	D	5862 E2T	1	1	1	—	—	—	
	L2X.....	D	5862 E2X	1	1	1	—	—	—	
	L2W.....	D	5862 E2W	1	1	1	—	—	—	
	L2B.....	D	7744 E2B	—	—	—	1	—	1	
	L2G.....	D	7744 E2G	—	—	—	1	—	1	
	L2T.....	D	7744 E2T	—	—	—	1	—	—	
	L2W.....	D	7744 E2W	—	—	—	1	—	1	
	L2X.....	D	7744 E2X	—	—	—	1	—	1	
	M6B.....	D	7691 E6B	—	—	—	2	—	2	
	M6G.....	D	7691 E6G	—	—	—	2	—	2	
	M6T.....	D	7691 E6T	—	—	—	2	—	—	
	M6W.....	D	7691 E6W	—	—	—	2	—	2	
	M6X.....	D	7691 E6X	—	—	—	2	—	2	
	H1B.....	D	7216 E1B	1	—	—	—	—	—	
	H1G.....	D	7216 E1G	1	—	—	—	—	—	
	H1L.....	D	7216 E1L	1	—	—	—	—	—	
	H1X.....	D	7216 E1X	1	—	—	—	—	—	
	H1Y.....	D	7216 E1Y	1	—	—	—	—	—	
	H4D.....	D	5858 E4D	—	1	1	1	—	—	
	H4G.....	D	5858 E4G	—	1	1	1	—	—	
	H4H.....	D	5858 E4H	—	—	1	—	—	—	
	H4T.....	D	5858 E4T	—	1	1	1	—	—	
	H4X.....	D	5858 E4X	—	1	1	1	—	—	
	H4Y.....	D	5858 E4Y	—	1	—	1	—	—	
	H6G.....	D	5820 E6G	—	2	—	2	—	—	
	H6W.....	D	5820 E6W	—	2	—	2	—	—	
	H6X.....	D	5820 E6X	—	2	—	2	—	—	
	H6Y.....	D	5820 E6Y	—	2	—	2	—	—	
	CENTER CUSHION									
	H6G.....	D	8678 EF7	—	1	—	1	—	—	
	H6W.....	D	8678 EW2	—	1	—	—	—	—	
	H6X.....	D	8678 EX7	—	1	—	1	—	—	
	H6Y.....	D	8678 EY5	—	1	—	1	—	—	
	CUSHION COVER									
	H7B.....	D	8860-1 E7B	1	1	—	—	—	—	
	H7G.....	D	8860-1 E7G	1	1	—	—	—	—	
	H7X.....	D	8860-1 E7X	1	1	—	—	—	—	
	H8T.....	D	8710-1 E8T	—	—	1	—	—	—	

NOTE: A letter code in the carline column indicates the carline for which the part is released as follows:

CARLINES Indicate:	V - Valiant	R - Belvedere	P - Plymouth	C - Chrysler
B - Barracuda	L - Dart	W - Coronet	D - Dodge	Y - Imperial

AR Indicates use as required.
 ★ Indicates change or addition.

Right and left part numbers are on same line,
 first number is right, second number is left.

Printed in U.S.A.
 January 1971

CODE	PART NAME	CAR LINE	PART NUMBER	Sed.	4 D.H.T.	Sta. Wgn.	2 D.H.T.	Sp. 2 D.H.T.	Conv.
23-108-5	COVER, Front Seat Cushion Cont'd.								
	H8X.....	D	8710-1 E8X	—	—	1	—	—	—
	E1D.....	C	5870 E1D	1	1	—	—	—	—
	E1G.....	C	5870 E1G	1	1	—	—	—	—
	E1L.....	C	5870 E1L	1	1	—	—	—	—
	E1Q.....	C	5870 E1Q	1	1	—	—	—	—
	E1X.....	C	5870 E1X	1	1	—	—	—	—
	E1D.....	C	5872 E1D	—	—	—	1	—	—
	E1G.....	C	5872 E1G	—	—	—	1	—	—
	E1L.....	C	5872 E1L	—	—	—	1	—	—
	E1Q.....	C	5872 E1Q	—	—	—	1	—	—
	E1X.....	C	5872 E1X	—	—	—	1	—	—
	E2D.....	C	5875 E2D	1	1	—	—	—	—
	E2T.....	C	5875 E2T	—	1	—	—	—	—
	E2X.....	C	5875 E2X	1	1	—	—	—	—
	E2Y.....	C	5875 E2Y	1	1	—	—	—	—
	E2D.....	C	5874 E2D	—	—	—	1	—	1
	E2T.....	C	5874 E2T	—	—	—	1	—	—
	E2X.....	C	5874 E2X	—	—	—	1	—	1
	E2Y.....	C	5874 E2Y	—	—	—	1	—	1
	E4D, L4D, M4D Up To Build Date 8-1-69.....	C	5866 E4D	—	1	1	1	—	—
	E4E, L4E, M4E Up To Build Date 8-1-69.....	C	5866 E4E	—	1	1	1	—	—
	E4G Up To Build Date 8-1-69.....	C	5866 E4G	—	—	1	—	—	—
	E4T Up To Build Date 8-1-69.....	C	5866 E4T	—	—	1	—	—	—
	E4X, L4X, M4X Up To Build Date 8-1-69.....	C	5866 E4X	—	1	1	1	—	—
	L4D, E4D, M4D After Build Date 8-1-69.....	C	5866 E4B	1	1	1	1	—	—
	L4E, E4E, M4E After Build Date 8-1-69.....	C	5866 E4H	1	1	1	1	—	—
	E4G After Build Date 8-1-69.....	C	5866 E4F	—	—	1	—	—	—
	E4T After Build Date 8-1-69.....	C	5866 E4N	—	—	1	—	—	—
	L4X, E4X, M4X After Build Date 8-1-69.....	C	5866 E4C	1	1	1	1	—	—
	L3D.....	C	5880 E3D	1	1	—	1	—	—
	L3Q.....	C	5880 E3Q	1	1	—	1	—	—
	L3X.....	C	5880 E3X	1	1	—	1	—	—
	L3Y.....	C	5880 E3Y	1	1	—	1	—	—
	L7E Up To Build Date 6-1-69.....	C	5892-3 E7E	1	1	—	—	—	—
	E7L, L7L After Build Date 6-1-69.....	C	5892-3 E7P	1	1	1	—	—	—
	L7E After Build Date 6-1-69.....	C	5892-3 E7H	1	1	1	—	—	—
	E7L, L7L Up To Build Date 6-1-69.....	C	5892-3 E7L	1	1	1	—	—	—
	L5L, M5L.....	C	5876 E5L	—	1	—	1	—	—
	M6G.....	C	5882 E6G	—	2	—	2	—	2
	M6D.....	C	5882 E6D	—	2	—	2	—	2
	E6T, L6T, M6T.....	C	5882 E6T	—	2	—	2	—	2
	E6W, L6W, M6W.....	C	5882 E6W	—	2	—	2	—	2
	E6X, L6X, M6X.....	C	5882 E6X	—	2	—	2	—	2
	E8G Up To Build Date 8-1-69.....	C	5894-5 E8G	—	—	1	—	—	—
	E8G After Build Date 8-1-69.....	C	5894-5 E8F	1	1	1	—	—	—
	E8X, L8X After Build Date 8-1-69.....	C	5895 E8C	1	1	1	—	—	—
	E8X, L8X Up To Build Date 8-1-69.....	C	5894-5 E8X	1	1	1	—	—	—
	M3G Up To Build Date 6-1-69.....	C	5867 E3G	—	1	—	1	—	—
	M3X Up To Build Date 6-1-69.....	C	5867 E3X	—	1	—	1	—	—
	M3Y Up To Build Date 6-1-69.....	C	5867 E3Y	—	1	—	1	—	—
	M3G After Build Date 6-1-69.....	C	5867 E3F	—	1	—	1	—	—
	M3X After Build Date 6-1-69.....	C	5867 E3C	—	1	—	1	—	—
	M3Y After Build Date 6-1-69.....	C	5867 E3O	—	1	—	1	—	—
	H1D.....	C	5887 E1D	1	1	—	—	—	—
	H1G.....	C	5887 E1G	1	1	—	—	—	—
	H1Q.....	C	5887 E1Q	1	1	—	—	—	—
	H1X.....	C	5887 E1X	1	1	—	—	—	—

NOTE: A letter code in the carline column indicates the carline for which the part is released as follows:

CARLINES Indicate:	B - Barracuda	V - Valiant L - Dart	R - Belvedere W - Coronet	P - Plymouth D - Dodge	C - Chrysler Y - Imperial
--------------------	---------------	-------------------------	------------------------------	---------------------------	------------------------------

AR Indicates use as required.

★ Indicates change or addition.

Right and left part numbers are on same line,
first number is right, second number is left.

Printed in U.S.A.
January 1971

1969 PASSENGER CAR PARTS CATALOG

INTERIOR TRIM

CODE	PART NAME	CAR LINE	PART NUMBER	Sed.	4 D.H.T.	Sta. Wgn.	2 D.H.T.	Sp. 2 D.H.T.	Conv.
23-108-5	COVER, Front Seat Cushion Cont'd.								
	H1Y.....	C	5887 E1Y	1	1	—	—	—	—
	HST.....	C	5868-9 EST	1	1	—	—	—	—
	H3D.....	C	5884 E3D	—	—	—	1	—	—
	H3G.....	C	5884 E3G	—	—	—	1	—	—
	H3Q.....	C	5884 E3Q	—	—	—	1	—	—
	H3X.....	C	5884 E3X	—	—	—	1	—	—
	H3Y.....	C	5884 E3Y	—	—	—	1	—	—
	H6D.....	C	7598 E6D	—	—	—	2	—	—
	H6T.....	C	7598 E6T	—	—	—	2	—	—
	H6W.....	C	7598 E6W	—	—	—	2	—	—
	H6X.....	C	7598 E6X	—	—	—	2	—	—
	H7D.....	C	5878-9 E7D	1	1	—	—	—	—
	H7E.....	C	5878-9 E7E	1	1	—	—	—	—
	H7L.....	C	5878-9 E7L	1	1	—	—	—	—
	H8L.....	C	5860-1 E8L	—	1	—	—	—	—
	H8X.....	C	5860-1 E8X	—	1	—	—	—	—
	M1D.....	Y	8503 E1D	1	—	—	—	—	—
	M1G.....	Y	8503 E1G	1	—	—	—	—	—
	M1M.....	Y	8503 E1M	1	—	—	—	—	—
	M1Q.....	Y	8503 E1Q	1	—	—	—	—	—
	M1K.....	Y	8503 E1K	1	—	—	—	—	—
	M1X.....	Y	8503 E1X	1	—	—	—	—	—
	D1D.....	Y	4963 E1D	1	1	—	—	—	—
	D1G.....	Y	4963 E1G	1	1	—	—	—	—
	D1M.....	Y	4963 E1M	1	1	—	—	—	—
	D1Q.....	Y	4963 E1Q	1	1	—	—	—	—
	D1K.....	Y	4963 E1K	1	1	—	—	—	—
	D1X.....	Y	4963 E1X	1	1	—	—	—	—
	M3D.....	Y	4970 E3D	—	—	—	1	—	—
	M3G.....	Y	4970 E3G	—	—	—	1	—	—
	M3M.....	Y	4970 E3M	—	—	—	1	—	—
	M3Q.....	Y	4970 E3Q	—	—	—	1	—	—
	M3K.....	Y	4970 E3K	—	—	—	1	—	—
	M3X.....	Y	4970 E3X	—	—	—	1	—	—
	MDD.....	Y	8266-7 EDD	—	1	—	—	—	—
	MDG.....	Y	8266-7 EDG	—	1	—	—	—	—
	MDM.....	Y	8266-7 EDM	—	1	—	—	—	—
	MDQ.....	Y	8266-7 EDQ	—	1	—	—	—	—
	MDK.....	Y	8266-7 EDK	—	1	—	—	—	—
	MDX.....	Y	8266-7 EDX	—	1	—	—	—	—
	MSB.....	Y	8270-1 ESB	—	1	—	—	—	—
	MSD.....	Y	8270-1 ESD	—	1	—	—	—	—
	MSN.....	Y	8270-1 ESN	—	1	—	—	—	—
	MSG.....	Y	8270-1 ESG	—	1	—	—	—	—
	MST.....	Y	8270-1 EST	—	1	—	—	—	—
	MSR.....	Y	8270-1 ESR	—	1	—	—	—	—
	MSW.....	Y	8270-1 ESW	—	1	—	—	—	—
	MSX.....	Y	8270-1 ESX	—	1	—	—	—	—
	MSY.....	Y	8270-1 ESY	—	1	—	—	—	—
	MBD.....	Y	8310 EBD	—	—	—	1	—	—
	MBG.....	Y	8310 EBG	—	—	—	1	—	—
	MBM.....	Y	8310 EBM	—	—	—	1	—	—
	MBQ.....	Y	8310 EBQ	—	—	—	1	—	—
	MBK.....	Y	8310 EBK	—	—	—	1	—	—
	MBX.....	Y	8310 EBX	—	—	—	1	—	—
	MRB.....	Y	5898-9 ERB	—	—	—	1	—	—
	MRG.....	Y	5898-9 ERG	—	—	—	1	—	—

NOTE: A letter code in the carline column indicates the carline for which the part is released as follows:

CARLINES Indicate:	B - Barracuda	V - Valiant	R - Belvedere	P - Plymouth	C - Chrysler
		L - Dart	W - Coronet	D - Dodge	Y - Imperial

AR Indicates use as required.
 ★ Indicates change or addition.

Right and left part numbers are on same line,
 first number is right, second number is left.

Printed in U.S.A.
 January 1971

CODE	PART NAME	CAR LINE	PART NUMBER	Sed.	4 D.H.T.	Sta. Wgn.	2 D.H.T.	Sp. 2 D.H.T.	Conv.
23-108-5	COVER, Front Seat Cushion Cont'd.								
	MRT.....	Y	5898-9 ERT	—	—	—	1	—	—
	MRW.....	Y	5898-9 ERW	—	—	—	1	—	—
	MRX.....	Y	5898-9 ERX	—	—	—	1	—	—
	MRB.....	Y	6997 EB3	—	—	—	1	—	—
	MRG.....	Y	6997 EF8	—	—	—	1	—	—
	MRT.....	Y	6997 ET8	—	—	—	1	—	—
	MRW.....	Y	6997 EW1	—	—	—	1	—	—
	MRX.....	Y	6997 EX9	—	—	—	1	—	—
23-108-12	BACK, Front Seat								
	NOTE:								
	For Complete Assembly Order By								
	Description, Vehicle Serial Number								
	And Trim Code; For Cover Only See								
	Part Type Code 23-108-16								
23-108-15	SPRING and COVER, FRONT SEAT BACK								
	NOTE:								
	For Complete Assembly Order By								
	Description, Vehicle Serial Number								
	And Trim Code, For Cover Only See								
	Part Type Code 23-108-16								
23-108-16	COVER, Front Seat Back								
	2 DOOR								
	CODES								
	L1B.....	V	5944-5 E1B	1	—	—	—	—	—
	L1R.....	V	5944-5 E1R	1	—	—	—	—	—
	L1X.....	V	5944-5 E1X	1	—	—	—	—	—
	4 DOOR								
	L1B.....	V,L	5952 E1B	1	—	—	—	—	—
	L1R.....	V,L	5952 E1R	1	—	—	—	—	—
	L1X.....	V,L	5952 E1X	1	—	—	—	—	—
	2 DOOR								
	L2B.....	V,L	5902-3 E2B	1	—	—	1	—	—
	L2T.....	V	5902-3 E2T	1	—	—	—	—	—
	L2X.....	V,L	5902-3 E2X	1	—	—	1	—	—
	4 DOOR								
	L2B.....	V,L	5907 E2B	1	—	—	—	—	—
	L2T.....	L	5907 E2T	1	—	—	—	—	—
	L2X.....	L	5907 E2X	1	—	—	—	—	—
	2 DOOR								
	D1B, H1B.....	V	5904-5 E1B	1	—	—	—	—	—
	H1G.....	V	5904-5 E1G	1	—	—	—	—	—
	D1X, H1X.....	V	5904-5 E1X	1	—	—	—	—	—
	4 DOOR								
	D1B, H1B.....	V	5901 E1B	1	—	—	—	—	—
	H1G.....	V	5901 E1G	1	—	—	—	—	—
	D1X, H1X.....	V	5901 E1X	1	—	—	—	—	—
	H2B, D2B Up To Build Date 8-1-69.....	V	5910 E2B	1	—	—	—	—	—
	H2R, D2R Up To Build Date 8-1-69.....	V	5910 E2R	1	—	—	—	—	—
	H2X, D2X Up To Build Date 8-1-69.....	V	5910 E2X	1	—	—	—	—	—
	H2Y Up To Build Date 8-1-69.....	V	5910 E2Y	1	—	—	—	—	—
	H2B, D2B After Build Date 8-1-69.....	V	5910 E2D	1	—	—	—	—	—
	H2R, D2R After Build Date 8-1-69.....	V	5910 E2H	1	—	—	—	—	—
	H2X, D2X After Build Date 8-1-69.....	V	5910 E2A	1	—	—	—	—	—
	H2Y After Build Date 8-1-69.....	V	5910 E2O	1	—	—	—	—	—
	H4B, D4B Up To Build Date 8-1-69.....	V	5954-5 E4B	1	—	—	—	—	—
	H4R, D4R Up To Build Date 8-1-69.....	V	5954-5 E4R	1	—	—	—	—	—
	D4X, H4X Up To Build Date 8-1-69.....	V	5954-5 E4X	1	—	—	—	—	—

NOTE: A letter code in the carline column indicates the carline for which the part is released as follows:

CARLINES Indicate:	B - Barracuda	V - Valiant L - Dart	R - Belvedere W - Coronet	P - Plymouth D - Dodge	C - Chrysler Y - Imperial
--------------------	---------------	-------------------------	------------------------------	---------------------------	------------------------------

AR Indicates use as required.
★ Indicates change or addition.

Right and left part numbers are on same line,
first number is right, second number is left.

Printed in U.S.A.
January 1971

1969 PASSENGER CAR PARTS CATALOG

INTERIOR TRIM

CODE	PART NAME	CAR LINE	PART NUMBER	Sed.	4 D.H.T.	Sta. Wgn.	2 D.H.T.	Sp. 2 D.H.T.	Conv.
23-108-16	COVER, Front Seat Back Cont'd.								
	H4Y Up To Build Date 8-1-69.	V	5954-5 E4Y	1	—	—	—	—	—
	D4B, H4B After Build Date 8-1-69.	V	5954-5 E4D	1	—	—	—	—	—
	D4R, H4R After Build Date 8-1-69.	V	5954-5 E4H	1	—	—	—	—	—
	D4X, H4X After Build Date 8-1-69.	V	5954-5 E4A	1	—	—	—	—	—
	H4Y After Build Date 8-1-69.	V	5954-5 E4O	1	—	—	—	—	—
	H6X Up To Build Date 8-1-69.	V	8682 E6X	1	—	—	—	—	—
	H6C, H6E, H6F, H6V, H6W Up To Build Date 8-1-69.	V	8682 E6W	1	—	—	—	—	—
	H6X After Build Date 8-1-69.	V	8682 E6A	2	—	—	—	—	—
	H6C, H6E, H6F, H6V, H6W After Build Date 8-1-69.	V	8682 E6K	2	—	—	—	—	—
	L2B, H2B	B	5008-9 E2B	—	—	—	1	1	—
	L2R, H2R	B	5008-9 E2R	—	—	—	1	1	—
	L2X, H2X	B	5008-9 E2X	—	—	—	1	1	—
	H4B	B	8660-1 E4B	—	—	—	1	1	—
	H4W, H4C, H4V, H4F	B	8660-1 E4W	—	—	—	1	1	—
	H4X	B	8660-1 E4X	—	—	—	1	1	—
	H6B	B	8352 E6B	—	—	—	2	2	2
	H6G	B	8352 E6G	—	—	—	2	2	—
	H6R	B	8352 E6R	—	—	—	2	2	2
	H6C, H6F, H6V, H6W	B	8352 E6W	—	—	—	2	2	2
	H6X	B	8352 E6X	—	—	—	2	2	2
	F6J	B	8352 E6J	—	—	—	2	—	—
	F6P	B	8352 E6P	—	—	—	2	—	—
	D6B	B	5900 E6B	—	—	—	2	2	2
	D6G	B	5900 E6G	—	—	—	2	2	2
	D6X	B	5900 E6X	—	—	—	2	2	2
	D6P	B	5900 E6P	—	—	—	2	2	2
	D6R	B	5900 E6R	—	—	—	2	2	2
	D6T, D6J, D6U	B	5900 E6T	—	—	—	2	2	2
	H1B	L	5927 E1B	1	—	—	—	—	—
	H1G	L	5927 E1G	1	—	—	—	—	—
	H1L	L	5927 E1L	1	—	—	—	—	—
	H1X	L	5927 E1X	1	—	—	—	—	—
	H2B	L	5932-3 E2B	—	—	—	1	—	—
	H2G	L	5932-3 E2G	—	—	—	1	—	—
	H2R	L	5932-3 E2R	—	—	—	1	—	—
	H2T	L	5932-3 E2T	—	—	—	1	—	—
	H2X	L	5932-3 E2X	—	—	—	1	—	—
	H2C, H2W	L	5932-3 E2W	—	—	—	1	—	—
	H2B	L	5934 E2B	1	—	—	—	—	—
	H2G	L	5934 E2G	1	—	—	—	—	—
	H2T	L	5934 E2T	1	—	—	—	—	—
	H2X	L	5934 E2X	1	—	—	—	—	—
	H6B	L	8398 E6B	2	—	—	—	—	—
	H6X	L	8398 E6X	2	—	—	—	—	—
	D2B	L	5948-9 E2B	—	—	—	1	—	—
	D2T	L	5948-9 E2T	—	—	—	1	—	—
	D2X	L	5948-9 E2X	—	—	—	1	—	—
	P6B, S6B	L	5936 E6B	—	—	—	2	—	2
	P6G, S6G	L	5936 E6G	—	—	—	2	—	2
	P6R, S6R	L	5936 E6R	—	—	—	2	—	2
	P6W, P6C, P6E, P6F, S6W, S6C, S6F	L	5936 E6W	—	—	—	2	—	2
	P6X, S6X	L	5936 E6X	—	—	—	2	—	2
	P6Y, S6Y	L	5936 E6Y	—	—	—	2	—	2
	P2B	L	8582-3 E2B	—	—	—	—	—	1
	P2R	L	8582-3 E2R	—	—	—	—	—	1
	P2W	L	8582-3 E2W	—	—	—	—	—	1
	P2X	L	8582-3 E2X	—	—	—	—	—	1

NOTE: A letter code in the carline column indicates the carline for which the part is released as follows:

CARLINES Indicate:	B - Barracuda	V - Valiant	R - Belvedere	P - Plymouth	C - Chrysler
		L - Dart	W - Coronet	D - Dodge	Y - Imperial

AR Indicates use as required.
 ★ Indicates change or addition.

Right and left part numbers are on same line,
 first number is right, second number is left.

Printed in U.S.A.
 January 1971

CODE	PART NAME	CAR LINE	PART NUMBER	Sed.	4 D.H.T.	Sta. Wgn.	2 D.H.T.	SP. 2 D.H.T.	Conv.
23-108-16	COVER, Front Seat Back Cont'd.								
	4 DOOR								
	K1T	R,W	5967 E1T	1	—	—	—	—	—
	2 DOOR								
	K1T	R,W	5968-9 E1T	1	—	—	—	—	—
	K2T	R,W	5972-3 E2T	1	—	—	—	—	—
	4 DOOR								
	K2T, T2T	R,W	5971 E2T	1	—	—	—	—	—
	T2X	R,W	5971 E2X	1	—	—	—	—	—
	K2T	R,W	5985 E2T	1	—	—	—	—	—
	K2A	R,W	5985 E2A	1	—	—	—	—	—
	L1B	R	5951 E1B	1	—	—	—	—	—
	L1T	R	5951 E1T	1	—	—	—	—	—
	6 Pass.								
	L2B	R	5953 E2B	—	—	1	—	—	—
	L2T	R	5953 E2T	—	—	1	—	—	—
	2 DOOR								
	M2B	R,W	5946-7 E2B	1	—	—	—	—	—
	M2T	R,W	5946-7 E2T	1	—	—	—	—	—
	M2X	R,W	5946-7 E2X	1	—	—	—	—	—
	H1B	R	5960 E1B	1	—	—	—	—	—
	H1G	R	5960 E1G	1	—	—	—	—	—
	H1T	R	5960 E1T	1	—	—	—	—	—
	H1X	R	5960 E1X	1	—	—	—	—	—
	H1B	R	5958-9 E1B	—	—	—	1	—	—
	H1G	R	5958-9 E1G	—	—	—	1	—	—
	H1X	R	5958-9 E1X	—	—	—	1	—	—
	F2Q	R	5980-1 E2Q	—	—	—	1	—	—
	4 DOOR								
	P3B	R	5998-9 E3B	1	—	—	—	—	—
	P3G	R	5998-9 E3G	1	—	—	—	—	—
	P3T	R	5998-9 E3T	1	—	—	—	—	—
	P3X	R	5998-9 E3X	1	—	—	—	—	—
	H2B, P2B, X2B	R	5965 E2B	1	—	1	—	—	—
	H2G, P2G	R	5965 E2G	—	—	1	—	—	—
	H2S, P2S	R	5965 E2S	—	—	1	—	—	—
	H2T, P2T, X2T	R	5965 E2T	1	—	1	—	—	—
	H2X, P2X, X2X	R	5965 E2X	1	—	1	—	—	—
	H2C, P2C, P2F, P2H	R	5965 E2W	1	—	1	—	—	—
	2 DOOR								
	H2B	R	5962-3 E2B	1	—	—	1	—	1
	H2G	R	5962-3 E2G	1	—	—	1	—	—
	H2S	R	5962-3 E2S	1	—	—	1	—	—
	H2T	R	5962-3 E2T	1	—	—	1	—	1
	H2X	R	5962-3 E2X	1	—	—	1	—	1
	H2C, H2H, H2W	R	5962-3 E2W	1	—	—	1	—	1
	P6D, M6B	R	5966 E6D	—	—	—	2	—	2
	P6G, M6G	R	5966 E6G	—	—	—	2	—	—
	P6R	R	5966 E6R	—	—	—	2	—	—
	P6S, M6S	R	5966 E6S	—	—	—	2	—	—
	P6T, M6T	R	5966 E6T	—	—	—	2	—	2
	P6W, P6C, P6F, P6H, P6V, M6W, M6C, M6F, M6H	R	5966 E6W	—	—	—	2	—	2
	P6X, M6X	R	5966 E6X	—	—	—	2	—	2
	2 DOOR								
	K1T	P	7446-7 E1T	1	—	—	—	—	—
	K2T	P	7426-7 E2T	1	—	—	—	—	—

NOTE: A letter code in the carline column indicates the carline for which the part is released as follows:

CARLINES Indicate: B - Barracuda V - Valiant R - Belvedere P - Plymouth C - Chrysler
L - Dart W - Coronet D - Dodge Y - Imperial

AR Indicates use as required.
★ Indicates change or addition.

Right and left part numbers are on same line,
first number is right, second number is left.

Printed in U.S.A.
January 1971

1969 PASSENGER CAR PARTS CATALOG

CODE	PART NAME	CAR LINE	PART NUMBER	Sed.	4 D.H.T.	Sta. Wgn.	2 D.H.T.	Sp. 2 D.H.T.	Conv.
23-108-16	COVER, Front Seat Back Cont'd.								
	4 DOOR								
	K1T	P	7430 E1T	1	—	—	—	—	—
	K1A	D	7430 E1A	1	—	—	—	—	—
	2 DOOR								
	E1B	P	5974-5 E1B	1	—	—	—	—	—
	E1L	P	5974-5 E1L	1	—	—	—	—	—
	4 DOOR								
	E1B	P	5976 E1B	1	—	—	—	—	—
	E1L	P	5976 E1L	1	—	—	—	—	—
	6PASS.								
	E2B	P	5977 E2B	—	—	1	—	—	—
	E2L	P	5977 E2L	—	—	1	—	—	—
	E2R	P	5977 E2R	—	—	1	—	—	—
	L1B	P	5978 E1B	1	—	—	—	—	—
	L1G	P	5978 E1G	1	—	—	—	—	—
	L1L	P	5978 E1L	1	—	—	—	—	—
	2 DOOR								
	L2B	P	7752-3 E2B	1	—	—	—	—	—
	L2T	P	7752-3 E2T	1	—	—	—	—	—
	L2X	P	7752-3 E2X	1	—	—	—	—	—
	4 DOOR								
	L2B	P	7758 E2B	1	—	1	—	—	—
	L2R	P	7758 E2R	1	—	1	—	—	—
	L2T	P	7758 E2T	1	—	1	—	—	—
	L2W	P	7758 E2W	—	—	1	—	—	—
	L2X	P	7758 E2X	1	—	1	—	—	—
	M1D	P	7520 E1D	1	1	—	—	—	—
	M1G	P	7520 E1G	1	1	—	—	—	—
	M1L	P	7520 E1L	1	—	—	—	—	—
	M1R	P	7520 E1R	1	—	—	—	—	—
	M1X	P	7520 E1X	1	1	—	—	—	—
	M1D	P	5912-3 E1D	—	—	—	1	—	—
	M1G	P	5912-3 E1G	—	—	—	1	—	—
	M1X	P	5912-3 E1X	—	—	—	1	—	—
	M4D Up To Build Date 8-1-69	P	5982-3 E4D	1	1	1	1	1	1
	M4G Up To Build Date 8-1-69	P	5982-3 E4G	1	1	1	1	1	—
	M4R Up To Build Date 8-1-69	P	5982-3 E4R	—	1	1	1	—	1
	M4S Up To Build Date 8-1-69	P	5982-3 E4S	1	1	1	1	1	—
	M4T Up To Build Date 8-1-69	P	5982-3 E4T	1	1	1	1	—	—
	M4W Up To Build Date 8-1-69	P	5982-3 E4W	—	1	—	1	—	1
	M4X Up To Build Date 8-1-69	P	5982-3 E4X	1	1	1	1	1	1
	M4D After Build Date 8-1-69	P	5982-3 E4C	1	1	1	1	1	1
	M4G After Build Date 8-1-69	P	5982-3 E4F	1	1	1	1	1	—
	M4R After Build Date 8-1-69	P	5982-3 E4H	1	1	1	1	—	1
	M4S After Build Date 8-1-69	P	5982-3 E4V	1	1	1	1	1	—
	M4T After Build Date 8-1-69	P	5982-3 E4N	1	1	1	1	—	—
	M4W After Build Date 8-1-69	P	5982-3 E4K	—	—	—	1	—	1
	M4X After Build Date 8-1-69	P	5982-3 E4A	1	1	1	1	1	1
	M8X Up To Build Date 8-1-69	P	8540-1 E8X	1	1	1	—	—	—
	M8X After Build Date 8-1-69	P	8540-1 E8A	1	1	1	—	—	—
	H6D	P	7258 E6D	—	—	—	2	2	2
	H6G	P	7258 E6G	—	—	—	2	2	—
	H6R	P	7258 E6R	—	—	—	2	—	2
	H6S	P	7258 E6S	—	—	—	2	2	—
	H6T	P	7258 E6T	—	—	—	2	—	—
	H6W	P	7258 E6W	—	—	—	2	—	2
	H6X	P	7258 E6X	—	—	—	2	2	2

NOTE: A letter code in the carline column indicates the carline for which the part is released as follows:

CARLINES Indicate: B - Barracuda V - Valiant R - Belvedere P - Plymouth C - Chrysler
 L - Dart W - Coronet D - Dodge Y - Imperial

AR Indicates use as required.
 ★ Indicates change or addition.

Right and left part numbers are on same line,
 first number is right, second number is left.

Printed in U.S.A.
 January 1971

CODE	PART NAME	CAR LINE	PART NUMBER	Sed.	4 D.H.T.	Sta. Wgn.	2 D.H.T.	Sp. 2 D.H.T.	Conv.
23-108-16	COVER, Front Seat Back Cont'd.								
	P3D.....	P	5914-5 E3D	—	1	—	1	1	—
	P3G.....	P	5914-5 E3G	—	1	—	1	1	—
	P3X.....	P	5914-5 E3X	—	1	—	1	1	—
	P4T.....	P	5916-7 E4T	—	1	—	1	1	—
	P4W.....	P	5916-7 E4W	—	1	—	1	1	—
	PPX.....	P	8572-3 EPX	—	1	—	1	1	—
	P6X.....	P	8736-7 E6X	—	—	—	1	1	—
	P8X.....	P	8712-3 E8X	—	1	—	—	—	—
	4 DOOR								
	L1B.....	W	5993 E1B	1	—	—	—	—	—
	L1L.....	W	5993 E1L	1	—	—	—	—	—
	6 PASS.								
	L2B Up To Build Date 6-1-69.....	W	5956 E2B	—	—	1	—	—	—
	L2T Up To Build Date 6-1-69.....	W	5956 E2T	—	—	1	—	—	—
	D2X, L2X Up To Build Date 6-1-69.....	R,W	5956 E2X	1	—	1	—	—	—
	L2B After Build Date 6-1-69.....	W	5956 E2U	1	—	1	—	—	—
	L2T After Build Date 6-1-69.....	W	5956 E2N	1	—	1	—	—	—
	D2X, L2X After Build Date 6-1-69.....	R,W	5956 E2A	1	—	1	—	—	—
	4 DOOR								
	H1B.....	W	6002 E1B	1	—	—	—	—	—
	H1G.....	W	6002 E1G	1	—	—	—	—	—
	H1Y.....	W	6002 E1Y	1	—	—	—	—	—
	H1X.....	W	6002 E1X	1	—	—	—	—	—
	2 DOOR								
	H2B.....	W	6006-7 E2B	1	—	—	1	—	—
	H2G.....	W	6006-7 E2G	1	—	—	1	—	—
	H2R.....	W	6006-7 E2R	—	—	—	1	—	—
	H2T.....	W	6006-7 E2T	1	—	—	1	—	—
	H2W, H2C, H2F.....	W	6006-7 E2W	—	—	—	1	—	—
	H2X.....	W	6006-7 E2X	1	—	—	1	—	—
	4 DOOR								
	H2B, X2B.....	W	6003 E2B	1	—	—	—	—	—
	H2T, X2T.....	W	6003 E2T	1	—	—	—	—	—
	H2X, X2X.....	W	6003 E2X	1	—	—	—	—	—
	D2D, P2D.....	W	6001 E2D	—	—	1	—	—	—
	D2G, P2G.....	W	6001 E2G	—	—	1	—	—	—
	D2T, P2T.....	W	6001 E2T	—	—	1	—	—	—
	D2X, P2X.....	W	6001 E2X	—	—	1	—	—	—
	P3D.....	W	5935 E3D	2	—	—	—	—	—
	P3G.....	W	5935 E3G	2	—	—	—	—	—
	P3X.....	W	5935 E3X	2	—	—	—	—	—
	P3Y.....	W	5935 E3Y	2	—	—	—	—	—
	P6D.....	W	6004 E6D	2	—	2	2	—	2
	P6G.....	W	6004 E6G	2	—	—	2	—	2
	P6R.....	W	6004 E6R	—	—	2	2	—	2
	P6T.....	W	6004 E6T	—	—	2	2	—	2
	P6W, P6C, P6F, P6V.....	W	6004 E6W	—	—	—	2	—	2
	P6X.....	W	6004 E6X	2	—	2	2	—	2
	C6D.....	W	6010 E6D	—	—	—	—	—	2
	C6G.....	W	6010 E6G	—	—	—	—	—	2
	C6R.....	W	6010 E6R	—	—	—	—	—	2
	C6T.....	W	6010 E6T	—	—	—	—	—	2
	C6W.....	W	6010 E6W	—	—	—	—	—	2
	C6X.....	W	6010 E6X	—	—	—	—	—	2
	C5X.....	W	6005 E5X	—	—	—	—	—	2
	CRD.....	W	7260 ERD	—	—	—	—	—	2
	CRG.....	W	7260 ERG	—	—	—	—	—	2

NOTE: A letter code in the carline column indicates the carline for which the part is released as follows:

CARLINES Indicate:	B - Barracuda	V - Valiant L - Dart	R - Belvedere W - Coronet	P - Plymouth D - Dodge	C - Chrysler Y - Imperial
--------------------	---------------	-------------------------	------------------------------	---------------------------	------------------------------

AR Indicates use as required.
★ Indicates change or addition.

Right and left part numbers are on same line,
first number is right, second number is left.

Printed in U.S.A.
January 1971

1969 PASSENGER CAR PARTS CATALOG

INTERIOR TRIM

CODE	PART NAME	CAR LINE	PART NUMBER	Sed.	4 D.H.T.	Sta. Wgn.	2 D.H.T.	Sp. 2 D.H.T.	Conv.	
23-108-16	COVER, Front Seat Back Cont'd.									
	CRT.....	W	7260 ERT	—	—	—	—	2	—	
	CRX.....	W	7260 ERX	—	—	—	—	2	—	
	P2D.....	W	6008-9 E2D	—	—	—	—	—	1	
	P2G.....	W	6008-9 E2G	—	—	—	—	—	1	
	P2W.....	W	6008-9 E2W	—	—	—	—	—	1	
	P2X.....	W	6008-9 E2X	—	—	—	—	—	1	
	L1B.....	D	8054 E1B	1	1	—	—	—	—	
	L1G.....	D	8054 E1G	1	1	—	—	—	—	
	L1X.....	D	8054 E1X	1	1	—	—	—	—	
	L1Y.....	D	8054 E1Y	1	1	—	—	—	—	
	L1B.....	D	8040-1 E1B	—	—	—	1	—	—	
	L1G.....	D	8040-1 E1G	—	—	—	1	—	—	
	L1X.....	D	8040-1 E1X	—	—	—	1	—	—	
	L1Y.....	D	8040-1 E1Y	—	—	—	1	—	—	
	L2B.....	D	6000 E2B	1	1	1	—	—	—	
	L2G.....	D	6000 E2G	1	1	1	—	—	—	
	L2T.....	D	6000 E2T	1	1	1	—	—	—	
	L2W.....	D	6000 E2W	—	1	—	—	—	—	
	L2X.....	D	6000 E2X	1	1	1	—	—	—	
	L2G.....	D	7682-3 E2B	—	—	—	1	—	1	
	L2T.....	D	7682-3 E2G	—	—	—	1	—	1	
	L2W.....	D	7682-3 E2T	—	—	—	1	—	—	
	L2X.....	D	7682-3 E2W	—	—	—	1	—	1	
	L2X.....	D	7682-3 E2X	—	—	—	1	—	1	
	M6B.....	D	7694 E6B	—	—	—	2	—	2	
	M6G.....	D	7694 E6G	—	—	—	2	—	2	
	M6T.....	D	7694 E6T	—	—	—	2	—	—	
	M6W.....	D	7694 E6W	—	—	—	2	—	2	
	M6X.....	D	7694 E6X	—	—	—	2	—	2	
	H1B.....	D	7218 E1B	1	—	—	—	—	—	
	H1G.....	D	7218 E1G	1	—	—	—	—	—	
	H1L.....	D	7218 E1L	1	—	—	—	—	—	
	H1X.....	D	7218 E1X	1	—	—	—	—	—	
	H1Y.....	D	7218 E1Y	1	—	—	—	—	—	
	H4D.....	D	8764-5 E4D	—	1	1	1	—	—	
	H4G.....	D	8764-5 E4G	—	1	1	1	—	—	
	H4H.....	D	8764-5 E4H	—	1	1	1	—	—	
	H4T.....	D	8764-5 E4T	—	1	—	1	—	—	
	H4X.....	D	8764-5 E4X	—	1	1	1	—	—	
	H4Y.....	D	8764-5 E4Y	—	1	1	1	—	—	
	H6G.....	D	8776 E6G	—	1	—	1	—	—	
	H6W.....	D	8776 E6W	—	1	—	1	—	—	
	H6X.....	D	8776 E6X	—	1	—	1	—	—	
	H6Y.....	D	8776 E6Y	—	1	—	1	—	—	
	RECLINING PASS. SIDE									
	H6X.....	D	8838 E6X	—	1	—	1	—	—	
	H7B.....	D	8836-7 E7B	1	1	—	—	—	—	
	H7G.....	D	8836-7 E7G	1	1	—	—	—	—	
	H7X.....	D	8836-7 E7X	1	1	—	—	—	—	
	H8T.....	D	8832-3 E8T	—	—	1	—	—	—	
	H8X.....	D	8832-3 E8X	—	—	1	—	—	—	
	M1B.....	Canada	5978 E1B	1	—	—	—	—	—	
	M1G.....	Canada	5978 E1G	1	—	—	—	—	—	
	M1L.....	Canada	5978 E1L	1	—	—	—	—	—	
	M2B.....	Canada	7758 E2B	1	—	1	—	—	—	
	M2R.....	Canada	7758 E2R	1	—	1	—	—	—	
	M2T.....	Canada	7758 E2T	1	—	1	—	—	—	

NOTE: A letter code in the carline column indicates the carline for which the part is released as follows:

CARLINES Indicate:	B - Barracuda	V - Valiant	R - Belvedere	P - Plymouth	C - Chrysler
		L - Dart	W - Coronet	D - Dodge	Y - Imperial

AR Indicates use as required.

★ Indicates change or addition.

Right and left part numbers are on same line,
first number is right, second number is left.

Printed in U.S.A.
January 1971

CODE	PART NAME	CAR LINE	PART NUMBER	Sed.	4 D.H.T.	Sta. Wgn.	2 D.H.T.	SP. 2 D.H.T.	Conv.
23-108-16	COVER, Front Seat Back Cont'd.								
	M2W Canada	D	7758 E2W	—	—	1	—	—	—
	M2X Canada	D	7758 E2X	1	—	1	—	—	—
	M1B Canada	D	C7832-3 E1B	—	—	—	1	—	—
	M1G Canada	D	C7832-3 E1G	—	—	—	1	—	—
	M1L Canada	D	C7832-3 E1L	—	—	—	1	—	—
	M2B Canada	D	7752-3 E2B	—	—	—	1	—	—
	M2R Canada	D	7752-3 E2R	—	—	—	1	—	—
	M2T Canada	D	7752-3 E2T	—	—	—	1	—	—
	M2X Canada	D	7752-3 E2X	—	—	—	1	—	—
	H1D Canada	D	C7868 E1D	1	1	—	—	—	—
	H1G Canada	D	C7868 E1G	1	1	—	—	—	—
	H1L Canada	D	C7868 E1L	1	—	—	—	—	—
	H1R Canada	D	C7868 E1R	1	—	—	—	—	—
	H1X Canada	D	C7868 E1X	1	1	—	—	—	—
	H1D Canada	D	C7878-9 E1D	—	—	—	1	—	—
	H1G Canada	D	C7878-9 E1G	—	—	—	1	—	—
	H1X Canada	D	C7878-9 E1X	—	—	—	1	—	—
	H4D Canada	D	C7880-1 E4D	1	1	1	1	—	1
	H4G Canada	D	C7880-1 E4G	1	1	1	1	—	—
	H4R Canada	D	C7880-1 E4R	—	1	1	1	—	1
	H4S Canada	D	C7880-1 E4S	1	1	1	1	—	—
	H4T Canada	D	C7880-1 E4T	1	1	1	1	—	—
	H4W Canada	D	C7880-1 E4W	—	—	—	1	—	1
	H4X Canada	D	C7880-1 E4X	1	1	1	1	—	1
	H8X Canada	D	C7882-3 E8X	1	1	1	—	—	—
	S7B Canada	D	8836-7 E7B	1	1	—	—	—	—
	S7G Canada	D	8836-7 E7G	1	1	—	—	—	—
	S7X Canada	D	8836-7 E7X	1	1	—	—	—	—
	P6D Canada	D	7258 E6D	—	—	—	2	—	2
	P6G Canada	D	7258 E6G	—	—	—	2	—	—
	P6R Canada	D	7258 E6R	—	—	—	2	—	2
	P6S Canada	D	7258 E6S	—	—	—	2	—	—
	P6T Canada	D	7258 E6T	—	—	—	2	—	—
	P6W Canada	D	7258 E6W	—	—	—	2	—	2
	P6X Canada	D	7258 E6X	—	—	—	2	—	2
	E1D	C	6049 E1D	1	1	—	—	—	—
	E1G	C	6049 E1G	1	1	—	—	—	—
	E1L	C	6049 E1L	1	1	—	—	—	—
	E1Q	C	6049 E1Q	1	1	—	—	—	—
	E1X	C	6049 E1X	1	1	—	—	—	—
	E1D	C	6052-3 E1D	—	—	—	1	—	—
	E1G	C	6052-3 E1G	—	—	—	1	—	—
	E1L	C	6052-3 E1L	—	—	—	1	—	—
	E1Q	C	6052-3 E1Q	—	—	—	1	—	—
	E1X	C	6052-3 E1X	—	—	—	1	—	—
	E2D	C	6057 E2D	1	1	—	—	—	—
	E2T	C	6057 E2T	1	1	—	—	—	—
	E2X	C	6057 E2X	1	1	—	—	—	—
	E2Y	C	6057 E2Y	1	1	—	—	—	—
	E2D	C	6062-3 E2D	—	—	—	1	—	1
	E2T	C	6062-3 E2T	—	—	—	1	—	—
	E2X	C	6062-3 E2X	—	—	—	1	—	1
	E2Y	C	6062-3 E2Y	—	—	—	1	—	1
	E4D, L4D, M4D Up To Build Date 8-1-69	C	6046-7 E4D	—	1	1	1	—	—
	E4E, L4E, M4E Up To Build Date 8-1-69	C	6046-7 E4E	—	1	1	1	—	—
	E4G Up To Build Date 8-1-69	C	6046-7 E4G	—	—	1	—	—	—
	E4T Up To Build Date 8-1-69	C	6046-7 E4T	—	—	1	—	—	—

NOTE: A letter code in the carline column indicates the carline for which the part is released as follows:

CARLINES Indicate:	B - Barracuda	V - Valiant L - Dart	R - Belvedere W - Coronet	P - Plymouth D - Dodge	C - Chrysler Y - Imperial
--------------------	---------------	-------------------------	------------------------------	---------------------------	------------------------------

AR Indicates use as required.
★ Indicates change or addition.

Right and left part numbers are on same line,
first number is right, second number is left.

Printed in U.S.A.
January 1971

1969 PASSENGER CAR PARTS CATALOG

INTERIOR TRIM

CODE	PART NAME	CAR LINE	PART NUMBER	Sed.	4 D.H.T.	Sta. Wgn.	2 D.H.T.	Sp. 2 D.H.T.	Conv.	
23-108-16	COVER, Front Seat Back Cont'd.									
	E4X, L4X, M4X Up To Build Date 8-1-69	C	6046-7 E4X	—	1	1	1	—	—	
	L4D, E4D, M4D After Build Date 8-1-69	C	6046-7 E4B	1	1	1	1	—	—	
	L4E, E4E, M4E After Build Date 8-1-69	C	6046-7 E4H	1	1	1	1	—	—	
	E4G After Build Date 8-1-69	C	6046-7 E4F	—	—	1	—	—	—	
	E4T After Build Date 8-1-69	C	6046-7 E4N	—	—	1	—	—	—	
	L4X, E4X, M4X After Build Date 8-1-69	C	6046-7 E4C	1	1	1	1	—	—	
	E8G Up To Build Date 8-1-69	C	6074-5 E8G	—	—	1	—	—	—	
	E8X, L8X Up To Build Date 8-1-69	C	6074-5 E8X	1	—	1	—	—	—	
	E8G After Build Date 8-1-69	C	6074-5 E8F	—	—	1	—	—	—	
	E8X, L8X After Build Date 8-1-69	C	6074-5 E8C	1	1	1	—	—	—	
	L3D	C	6064-5 E3D	1	1	—	1	—	—	
	L3G Up To Build Date 6-1-69	C	6064-5 E3G	1	1	—	1	—	—	
	L3G After Build Date 6-1-69	C	6046-5 E3F	1	1	—	1	—	—	
	L3Q	C	6064-5 E3Q	1	1	—	1	—	—	
	L3X	C	6064-5 E3X	1	1	—	1	—	—	
	L3Y	C	6064-5 E3Y	1	1	—	1	—	—	
	RECLINER									
	M5L Rt.	C	6060-1 E5L	—	1	—	1	—	—	
	L7E Up To Build Date 6-1-69	C	6044-5 E7E	1	1	—	—	—	—	
	E7L, L7L Up To Build Date 6-1-69	C	6044-5 E7L	1	1	1	—	—	—	
	E7L After Build Date 6-1-69	C	6044-5 E7H	—	—	1	—	—	—	
	L7E, L7L After Build Date 6-1-69	C	6044-5 E7D	1	1	—	—	—	—	
	M3G Up To Build Date 6-1-69	C	6082-3 E3G	—	1	—	1	—	—	
	M3X Up To Build Date 6-1-69	C	6082-3 E3X	—	1	—	1	—	—	
	M3Y Up To Build Date 6-1-69	C	6082-3 E3Y	—	1	—	1	—	—	
	M3G After Build Date 6-1-69	C	6082-3 E3F	—	1	—	1	—	—	
	M3X After Build Date 6-1-69	C	6082-3 E3C	—	1	—	1	—	—	
	M3Y After Build Date 6-1-69	C	6082-3 E3O	—	1	—	1	—	—	
	M6D	C	6066 E6D	—	—	—	—	—	2	
	M6G	C	6066 E6G	—	2	—	2	—	2	
	E6T, M6T	C	6066 E6T	—	2	—	2	—	2	
	E6W, M6W	C	6066 E6W	—	2	—	2	—	2	
	E6X, M6X	C	6066 E6X	—	1	—	1	—	1	
	RECLINER									
	E6X, M6X	C	6078 E6X	—	1	—	1	—	1	
	H1D	C	6058 E1D	1	1	—	—	—	—	
	H1G	C	6058 E1G	1	1	—	—	—	—	
	H1Q	C	6058 E1Q	1	1	—	—	—	—	
	H1X	C	6058 E1X	1	1	—	—	—	—	
	H1Y	C	6058 E1Y	1	1	—	—	—	—	
	HST	C	6072-3 EST	1	1	—	—	—	—	
	H3D	C	7244-5 E3D	—	—	—	1	—	—	
	H3G	C	7244-5 E3G	—	—	—	1	—	—	
	H3Q	C	7244-5 E3Q	—	—	—	1	—	—	
	H3X	C	7244-5 E3X	—	—	—	1	—	—	
	H3Y	C	7244-5 E3Y	—	—	—	1	—	—	
	H6D	C	7592-3 E6D	—	—	—	1	—	—	
	H6T	C	7592-3 E6T	—	—	—	1	—	—	
	H6W	C	7592-3 E6W	—	—	—	1	—	—	
	H6X	C	7592-3 E6X	—	—	—	1	—	—	
	H7D	C	6068-9 E7D	1	1	—	—	—	—	
	H7E	C	6068-9 E7E	1	1	—	—	—	—	
	H7L	C	6068-9 E7L	1	1	—	—	—	—	
	H8L	C	6070-1 E8L	—	1	—	—	—	—	
	H8X	C	6070-1 E8X	1	1	—	—	—	—	
	L1B Canada	P	C7832-3 E1B	—	—	—	1	—	—	
	L1G Canada	P	C7832-3 E1G	—	—	—	1	—	—	

NOTE: A letter code in the carline column indicates the carline for which the part is released as follows.

CARLINES Indicate:	B - Barracuda	V - Valiant	R - Belvedere	P - Plymouth	C - Chrysler
		L - Dart	W - Coronet	D - Dodge	Y - Imperial

AR Indicates use as required.

★ Indicates change or addition.

Right and left part numbers are on same line,
first number is right, second number is left.

Printed in U.S.A.
January 1971

CODE	PART NAME	CAR LINE	PART NUMBER	Sed.	4 D.H.T.	Sta. Wgn.	2 D.H.T.	Sp. 2 D.H.T.	Conv.
23-108-16	COVER, Front Seat Back Cont'd.								
	L1L Canada	P	C7832-3 E1L	—	—	—	—	—	—
	L2B Canada	P	7752-3 E2B	—	—	—	—	—	—
	L2R Canada	P	7752-3 E2R	—	—	—	—	—	—
	L2T Canada	P	7752-3 E2T	—	—	—	—	—	—
	L2X Canada	P	7752-3 E2X	—	—	—	—	—	—
	X2B Canada	P	7758 E2B	1	—	—	—	—	—
	X2R Canada	P,D	7758 E2R	1	—	—	—	—	—
	X2T Canada	P,D	7758 E2T	1	—	—	—	—	—
	K2A Canada	D	5985 E2A	1	—	—	—	—	—
	L1B Canada	D	C7811 E1B	1	—	—	—	—	—
	L1L Canada	D	C7811 E1L	1	—	—	—	—	—
	L2B Canada	D	5977 E2B	—	—	1	—	—	—
	L2L Canada	D	5977 E2L	—	—	1	—	—	—
	L2R Canada	D	5977 E2R	—	—	1	—	—	—
	M1D	Y	8513 E1D	1	—	—	—	—	—
	M1G	Y	8513 E1G	1	—	—	—	—	—
	M1M	Y	8513 E1M	1	—	—	—	—	—
	M1Q	Y	8513 E1Q	1	—	—	—	—	—
	M1K	Y	8513 E1K	1	—	—	—	—	—
	M1X	Y	8513 E1X	1	—	—	—	—	—
	D1D	Y	4966 E1D	1	1	—	—	—	—
	D1G	Y	4966 E1G	1	1	—	—	—	—
	D1M	Y	4966 E1M	1	1	—	—	—	—
	D1Q	Y	4966 E1Q	1	1	—	—	—	—
	D1K	Y	4966 E1K	1	1	—	—	—	—
	D1X	Y	4966 E1X	1	1	—	—	—	—
	M3D	Y	4968-9 E3D	—	—	—	1	—	—
	M3G	Y	4968-9 E3G	—	—	—	1	—	—
	M3M	Y	4968-9 E3M	—	—	—	1	—	—
	M3Q	Y	4968-9 E3Q	—	—	—	1	—	—
	M3K	Y	4968-9 E3K	—	—	—	1	—	—
	M3X	Y	4968-9 E3X	—	—	—	1	—	—
	MSB	Y	8246-7 ESB	—	1	—	—	—	—
	MSD	Y	8246-7 ESD	—	1	—	—	—	—
	MSN	Y	8246-7 ESN	—	1	—	—	—	—
	MSG	Y	8246-7 ESG	—	1	—	—	—	—
	MST	Y	8246-7 EST	—	1	—	—	—	—
	MSR	Y	8246-7 ESR	—	1	—	—	—	—
	MSW	Y	8246-7 ESW	—	1	—	—	—	—
	MSX	Y	8246-7 ESX	—	1	—	—	—	—
	MSY	Y	8246-7 ESY	—	1	—	—	—	—
	MDD	Y	8242-3 EDD	—	1	—	—	—	—
	MDG	Y	8242-3 EDG	—	1	—	—	—	—
	MDM	Y	8242-3 EDM	—	1	—	—	—	—
	MDQ	Y	8242-3 EDQ	—	1	—	—	—	—
	MDK	Y	8242-3 EDK	—	1	—	—	—	—
	MDX	Y	8242-3 EDX	—	1	—	—	—	—
	MBD	Y	8300-1 EBD	—	—	—	1	—	—
	MBG	Y	8300-1 EBG	—	—	—	1	—	—
	MBM	Y	8300-1 EBM	—	—	—	1	—	—
	MBQ	Y	8300-1 EBQ	—	—	—	1	—	—
	MBK	Y	8300-1 EBK	—	—	—	1	—	—
	MBX	Y	8300-1 EBX	—	—	—	1	—	—
	MRB	Y	6086-7 ERB	—	—	—	1	—	—
	MRG	Y	6086-7 ERG	—	—	—	1	—	—
	MRT	Y	6086-7 ERT	—	—	—	1	—	—

NOTE: A letter code in the carline column indicates the carline for which the part is released as follows:

CARLINES Indicate:	V - Valiant	R - Belvedere	P - Plymouth	C - Chrysler
B - Barracuda	L - Dart	W - Coronet	D - Dodge	Y - Imperial

AR Indicates use as required.
 ★ Indicates change or addition.

Right and left part numbers are on same line,
 first number is right, second number is left.

Printed in U.S.A.
 January 1971

CODE	PART NAME	CAR LINE	PART NUMBER	Sed.	4 D.H.T.	Sta. Wgn.	2 D.H.T.	Sp. 2 D.H.T.	Conv.
23-108-16	COVER, Front Seat Back Cont'd.								
	MRW.....	Y	6086-7 ERW	—	—	—	1	—	—
	MRX.....	Y	6086-7 ERX	—	—	—	1	—	—
	Clip, Qtr. Arm Rest to Found. Att.....	Y	6002 751	—	—	—	6	—	—
23-108-19	HEADREST								
	BUCKET SEATS								
	CODES								
	M6B, P6B, C5D.....	W,L,D	8496 EB3	—	—	—	2	2	2
	H6B, D6B.....	B	8496 EB5	—	—	—	2	2	2
	H6D, P6D, C6D.....	W,R,P,D	8496 EB7	—	—	—	2	2	2
	M6D.....	C	8496 EB9	—	—	—	—	—	2
	M6G, C5G.....	W,D	8496 EF3	—	—	—	2	2	2
	L6G, M6G, H6G, P6G, C6G, CRG, F6J.....	R,W,B,P,D	8496 EF8	—	—	—	2	2	2
	H6R, D6R, P6R, C6R.....	R,W,B,L,P	8496 ER6	—	—	—	2	2	2
	H6S.....	P	8496 EA4	—	—	—	2	2	—
	M6S, D6S, P6S.....	R,B	8496 EA4	—	—	—	2	2	2
	E6T, L6T, M6T, H6T, D6T, D6J, D6U, P6T, C6T, CRT.....	B,R,W P,D,C	8496 ET4	—	2	—	2	2	2
	E6W, L6W, M6W, H6W, H6C, H6E, H6F, H6V, P6H, P6C, P6W, P6E, P6F, P6V.....	V,B,R,W,L P,D,C	8496 EW1	2	2	—	2	2	2
	E6X, L6X, M6X, H6X, P6X, C5X, C6X.....	V,B,R,W, D,C	8496 DX9	2	2	—	2	2	2
	P6G.....	L	8496 EF3	—	—	—	2	—	2
	H6Y, P6Y.....	L,D	8496 EY4	—	—	—	2	—	2
	D6P, F6P.....	B	8496 EY3	—	—	—	2	2	2
	H6N, D6N.....	B,P	8496 DX9	—	—	—	2	2	2
	BENCH SEATS								
	L2B, D1B, D2B, D4B, H1B, H2B, H4B.....	V,L	8498 EB7	1	—	—	1	—	—
	H4B.....	B	8498 EB5	—	—	—	1	1	—
	P2B.....	L	8498 EB3	—	—	—	—	—	1
	H1G.....	V	8498 EF3	1	—	—	—	—	—
	H1G, H2G.....	L	8498 EF8	1	—	—	1	—	—
	L2L, H1L.....	V,L	8498 EL3	1	—	—	—	—	—
	L1R, L2R, D2R, D4R, H2R, H4R, P2R.....	V,L	8498 ER6	1	—	—	1	—	—
	H2C, H2W, P2W, H4C, H4F, H4V, H4W.....	V,L	8498 EW1	—	—	—	1	1	1
	H2Y, H4Y.....	B	8498 EY4	1	—	—	—	—	—
	D1X, D2X, D4X, L1X, L2X, H1X, H2X, H4X, P2X.....	V,B,L	8498 DX9	1	—	—	1	1	1
	H1B, H2B, D2D, P2D, P3D.....	W	8498 EB7	1	—	1	1	—	1
	L1B, L2B, M2B, H2B, H1B, P2B, X2B.....	R,W	8498 EB3	—	—	1	—	—	—
	H1G, H2G, P2G.....	R	8498 EF3	1	—	1	1	—	—
	H1G, H2G, D2G, P2G, P3G.....	W	8498 EF8	1	—	1	1	—	1
	L1L.....	R,W	8498 EL3	1	—	—	—	—	—
	H2C, H2F, H2H, H2W, P2C, P2F, P2H, P2W.....	R,W	8498 EW1	1	—	1	1	—	1
	H1A, P3Y.....	R	8498 EY4	1	—	—	—	—	—
	M2S, H2S, P2S.....	R	8498 EA4	1	—	1	1	—	—
	K1T, K2T, L2T, H1L, H2T, M2T, P2T, D2T.....	R,W	8498 ET4	1	—	1	1	—	1
	L1X, L2X, X2X, D2X, H1X, H2X, P2X, P3X.....	R,W	8498 DX9	1	—	1	1	—	1
	L1X, L2X, X2X, D2X, H1X, H2X, P2X, P3X.....	R,W	8498 EX9	1	—	1	1	—	1
	E1B, E2B, L1B, L2B.....	P	8498 EB3	1	1	1	1	—	—
	L2B, H1B, M1B, M2B, X2B.....	D	8498 EB3	1	—	—	—	—	1
	M1D, M4D, P3D, H1D, H4D.....	P,D	8498 EB7	1	1	1	1	1	1
	L1B.....	D	8498 EB7	1	1	—	1	—	—
	M4S, H4S.....	P	8498 EA4	1	1	1	1	—	—
	L1G.....	P	8498 EF3	1	—	—	—	—	—
	L2G, H1G, M1G.....	D	8498 EF3	1	1	1	1	—	—

NOTE: A letter code in the carline column indicates the carline for which the part is released as follows:

CARLINES Indicate:	V - Valiant	R - Belvedere	P - Plymouth	C - Chrysler
B - Barracuda	L - Dart	W - Coronet	D - Dodge	Y - Imperial

AR Indicates use as required.

★ Indicates change or addition.

Right and left part numbers are on same line,
first number is right, second number is left.

Printed in U.S.A.

January 1971

CODE	PART NAME	CAR LINE	PART NUMBER	Sed.	4 D.H.T.	Sta. Wgn.	2 D.H.T.	Sp. 2 D.H.T.	Conv.
23-108-19	HEADREST Cont'd.								
	M1G, M4G, P3G	P	8498 EF8	1	1	1	1	1	—
	H1G, H4G	D	8498 EF8	1	1	1	1	—	—
	L1G	D	8498 EF8	1	1	—	1	—	—
	E1L, E2L, L1L, L2L, M1L, H1L	P,D	8498 EL3	1	1	1	1	—	—
	E2R, L2R, M1R, M4R, M2R, H1R, H4R, X2R	P,D	8498 ER6	1	1	1	1	—	1
	K1T, K2T, L1T, L2T, M4T, H4T, M2T, X2T, P4T	P,D	8498 ET4	1	1	1	1	—	—
	L2W, M4W, P4W, H4H, M2W, H4W	P,D	8498 EW1	—	1	1	1	1	1
	L1Y, H1Y, H4Y	D	8498 EY4	1	1	—	1	—	—
	M2X, L1X, L2X, M1X, M4X, P3X, P4X, PPX, H1X, H4X, K1A, K2A	P,D	8498 DX9	1	1	1	1	1	1
	E1D, E2D, E4D, L3D, M4D, L4D, H1D, H3D, M1D, MBD	C,Y	8498 EB9	1	1	1	1	—	1
	E4E, M4E, L4E	C	8498 EE9	—	1	1	1	—	—
	E1G	C	8498 EF3	1	1	—	1	—	—
	E4G, L3G, M3G, H1G, H3G, M1G, MBG	C,Y	8498 EF8	1	1	1	1	—	—
	E1L	C	8498 EL3	1	1	—	1	—	—
	M1M, MBM	Y	8498 EM9	1	—	—	1	—	—
	E1Q, L3Q, H1Q, H3Q, M1Q, MBQ	C,Y	8498 EQ4	1	1	—	1	—	—
	E2T, E4T	C	8498 ET4	—	1	1	1	—	—
	M1K, MBK	Y	8498 ET9	1	—	—	1	—	—
	E2Y, L3Y, M3Y, H1Y, H3Y	C	8498 EY4	1	1	—	1	—	1
	E1X, E2X, E4X, L3X, L4X, M3X, M4X, H1X, H3X, M1X, MBX	C,Y	8498 DX9	1	1	1	1	—	1
	M1K, MBK	Y	8498 ET9	1	—	—	1	—	—
	50/50 seat less cover	P,D,C,Y	2888 652	1	1	1	—	—	—
	Recl. bucket seat less cover	P,D,C,Y	2888 653	—	2	—	2	2	2
	Bench seats less cover	V,B,L,R,W	2942 733	2	2	2	2	2	2
	TAXI	P,D,C,Y	2942 733	2	—	—	—	—	—
		R,W	2942 820	2	—	—	—	—	—

CODE	PART NAME	CAR LINE	PART NUMBER	Sed.	4 D.H.T.	Sta. Wgn.	2 D.H.T.	Sp. 2 D.H.T.	Conv.
23-108-20	COVER, Front Seat Back Headrest								
	BUCKET OR SPLIT								
	H7B	D	4932 EB2	1	1	—	—	—	—
	H7G	D	4932 EF2	1	1	—	—	—	—
	H7X	D	4932 EX9	1	1	—	—	—	—
	H8T	D	4930 ET5	—	1	1	1	—	—
	H6X, H8X	D	4930 EX7	—	1	1	1	—	—
	50/50 SEAT								
	S7B Canada	D	4932 EB2	2	2	—	—	—	—
	S7G Canada	D	4932 EF2	2	2	—	—	—	—
	S7X Canada	D	4932 EX9	2	2	—	—	—	—
	H8X Canada	D	4929 EX9	2	2	2	—	—	—
	D1B, D2B, L1B, L2B, D4B, H1B, H2B, H4B	V	4929 EB7	2	—	—	—	—	—
	L1B, L2B, D2B	L	4929 EB7	2	—	—	2	—	—
	H1B, H2B, P2B	L	4929 EB3	2	—	—	2	—	2
	H2B, H4B	B	4929 EB5	—	—	—	2	2	—
	H1G, H2G	V,L	4929 EF3	2	—	—	2	—	—
	H2C, H2W H4C, H4F, H4V, H4W, P2W	B,L	4929 EW1	—	—	—	2	2	2
	L1R, D2R, D4R, H2R, H4R, P2R	V,B,L	4929 ER7	2	—	—	2	2	2
	L2T, D2T, H2T	V,L	4929 ET5	2	—	—	2	—	—
	H1L	L	4929 EL2	2	—	—	2	—	—
	L1X, L2X, D1X, D2X, D4X, H1X, H2X, H4X, P2X	V,B,L	4929 EX9	2	—	—	2	2	2
	H2Y, H4Y	V	4929 EY4	2	—	—	—	—	—
	L1B, L2B, M2B, P2S	R,W	4929 EB3	2	—	2	2	—	—
	X2B, F2Q, H1B, H2B, P2D, P3D	R,W	4929 EB7	2	—	2	2	—	2
	H1G, H2G, P2G, P3G	R,W	4929 EF8	2	—	2	2	—	2

NOTE: A letter code in the carline column indicates the carline for which the part is released as follows:

CARLINES Indicate:	V - Valiant	R - Belvedere	P - Plymouth	C - Chrysler
B - Barracuda	L - Dart	W - Coronet	D - Dodge	Y - Imperial

AR Indicates use as required.
★ Indicates change or addition.

Right and left part numbers are on same line,
first number is right, second number is left.

Printed in U.S.A.
January 1971

1969 PASSENGER CAR PARTS CATALOG

INTERIOR TRIM

CODE	PART NAME	CAR LINE	PART NUMBER	Sed.	4 D.H.T.	Sta. Wgn.	2 D.H.T.	Sp. 2 D.H.T.	Conv.
23-108-20	COVER, Front Seat Back Headrest Cont'd.								
	L1L	R	4929 EL2	2	—	—	—	—	—
	X2T, K1T, L1T, L2T, M2T, H1T, H2T, P2T, P3T	R,W	4929 ET5	2	—	2	2	—	2
	K2T, T2T	R,W	4929 ET8	2	—	—	—	—	—
	H2C, H2F, H2H, H2W, P2C, P2F, P2H P2W	R,W	4929 EW1	2	—	2	2	—	2
	X2X, T2X, D2X, L2X, M2X, H1X, H2X, P2X, P3X	R,W	4929 EX9	2	—	2	2	—	2
	H1Y, P3Y	W	4929 EY4	2	—	—	—	—	—
	H2S	R	4929 EA4	—	—	2	2	—	—
	E1B, E2B, L2B, H1B, H7B	P,D	4929 EB2	2	2	2	2	—	2
	L1B, H4D, M1D, M4D	P,D	4929 EB7	—	2	2	2	2	—
	L2G, H1G, H7G	P,D	4929 EF3	2	2	2	2	—	2
	L1G, M1G, M4G, H4G, H6G, P3G	P,D	4929 EF8	—	2	2	2	2	—
	E1L, E2L, M1L, H1L	P,D	4929 EL2	2	—	—	—	—	—
	K1T, L2T, M4T, H4T, H8T, P4T	P,D	4929 ET5	2	2	2	2	2	—
	L2W, M4W, H4H, H6W, P4W	P,D	4929 EW1	—	2	2	2	2	2
	L1X, L2X, M1X, M4X, M8X, H1X, H4X, H6X, H7X, H8X, P3X, P6X, P8X, PPX, K2A L1Y, H1Y, H4Y, H6Y	P,D	4929 EX9	2	2	2	2	—	2
	E2R, L2R, M1R, M4R	P	4929 ER7	2	2	2	2	—	2
	K2T	P	4929 ET8	2	—	—	—	—	—
	E1D, E2D, E4D, L3D, L4D, M4D, MDD D1D, M1D, MBD, MSD, H1D, H3D, H6D, H7D	C,Y	4929 EB9	2	2	2	2	—	2
	MRB, MSB	Y	4929 EB3	—	2	—	2	—	—
	L4E, L7E, M4E, H7E	C	4929 EE8	2	2	2	—	—	—
	E4G, E8G, L3G, M3G, MRG, MDG, MSG, H1G, H3G	C,Y	4929 EF8	2	2	2	2	—	—
	D1G, M1G, M3G	Y	4929 EF3	2	—	—	—	—	—
	E1L, E7L, L7L, L5L, M5L, H7L, H8L	C	4929 EL2	2	2	—	2	—	—
	D1M, M1M, M3M, MBM, MDM	Y	4929 EM9	2	2	—	—	—	—
	E1Q, L3Q, H1Q, H3Q, M1Q, M3Q, MBQ, D1Q, MDQ MRT, MST	C,Y	4929 EQ4	2	2	—	2	—	—
	MSR	Y	4929 ET8	—	2	—	2	—	—
	H6W, MRW, MSW	Y	4929 ER7	—	2	—	—	—	—
	D1K, M1K, M3K, MBK, MDK	C	4929 EW1	—	—	—	2	—	—
	E1X, E2X, E4X, E6X, E7X, E8X, L3X, L4X, L7X, L8X, M3X, M4X, M6X, M1X, M3X, MBX, H1X, D1X, H3X, H6X, H8X	Y	4929 ET9	2	2	—	—	—	—
	E2Y, L3Y, M3Y, MSY, H1Y, H3Y	C,Y	4929 EX9	2	2	2	2	—	2
	E8T, H6T, HST	C	4929 EY4	2	2	—	2	—	—
			4929 ET5*	2	2	2	2	—	—
23-108-25	SHIELD, Headrest Post	V,B,L,R,W,							
	Reinforcement	V,L,R,W,P,D,C,Y	2888 586	2	2	2	—	—	—
		P,D,C	2888 509	1	1	1	1	1	1
23-108-27	GUIDE, Headrest								
	Lower	V,B,R,W,P,D,C,Y	2888 584	4	4	4	4	4	4
	Headrest Post								
	Upper	V,B,L,R,W,							
		P,D,C,Y	2888 491	4	4	4	4	4	4
	Lower		2888 429	4	4	4	4	4	—
	Screw, Headrest Lwr. Guide	V,B,L,R,W,							
		P,D,C,Y	9416 049	4	4	4	4	4	4
	Headrest Post Shield	V,B,L,R,W,							
		P,D,C,Y	9416 049	2	2	2	2	2	2
	Screw, Bucket Seat Headrest Guide	V,B,L,R,W,							
		P,D,C,Y	9420 813	4	4	4	4	4	4
	Screw, Headrest Spacer Att.	P,D,C,Y	9424 872	4	4	4	4	—	—

NOTE: A letter code in the carline column indicates the carline for which the part is released as follows:

CARLINES Indicate:	B - Barracuda	V - Valiant L - Dart	R - Belvedere W - Coronet	P - Plymouth D - Dodge	C - Chrysler Y - Imperial
--------------------	---------------	-------------------------	------------------------------	---------------------------	------------------------------

AR Indicates use as required.

★ Indicates change or addition.

Right and left part numbers are on same line,
first number is right, second number is left.

Printed in U.S.A.

January 1971

CODE	PART NAME	CAR LINE	PART NUMBER	Sed.	4 D.H.T.	Sta. Wgn.	2 D.H.T.	Sp. 2 D.H.T.	Conv.	
23-108-27	GUIDE, Headrest Cont'd. Screw, Headrest Finish Plate	V,B,L,R,W, P,D,C	9414 757	4	—	4	4	4	4	
		P,D,C,Y	9425 397	4	4	4	4	—	—	
	Screw, Bucket Seat Uptr. Headrest Guide Att.....	V,B,L,R,W, P,D,C	167 008	2	—	2	2	—	2	
23-108-29	CATCH, Headrest BENCH and 50/50 Type Seats.....	V,B,L,R,W, P,D,C,Y	2858 180	4	4	4	4	4	4	
		BUCKET SEATS.....	V,B,L,R,W, P,D,C,Y	2888 490	4	4	4	4	4	
23-108-30	SUPPORT, Front Seat Back Kick Pad	C	2888 064-5	1	1	—	—	—	—	
23-108-31	SPACER, Headrest BENCH SEATS	V,B,L,R,W, P,D,C	2888 486	4	4	4	4	4	4	
		BUCKET SEATS.....	V,B,L,R,W, P,D,C	2888 488	4	4	4	4	4	
		Y	2888 489	—	—	—	4	—	—	
	For Lt. Hd.-Rest.....	P,D,C,Y	2888 715	2	2	2	2	—	—	
23-108-32	PANEL, Back of Front Seat Back CODES P6B	L	2729 EB4	—	—	—	2	—	—	
		R,W	2729 EB7	2	—	2	2	2	2	
		B	2729 EB5	—	—	—	2	2	2	
		M6B, P6D, CRD, C6D.....	B	2729 EB5	—	—	—	2	2	2
		H6B, D6B	B	2729 EB5	—	—	—	2	2	2
		M6G, P6G, C6G, CRG, H6G, D6G, F6J.....	B,L,R,W	2729 EF8	2	—	—	2	2	2
		P6R, C6R, H6R, D6R.....	B,L,R,W	2729 ER7	2	—	—	2	2	2
		M6T, P6T, C6T, CRT, D6T.....	B,R,W	2729 ET5	—	—	2	2	2	2
		M6S, P6S	R,B	2729 EA6	—	—	—	2	2	2
		M6W, P6C, P6W, P6F, P6H, P6V, C6W, P6E, H6C, H6E, H6F, H6W.....	V,B,L,R,W	2729 EW1	—	—	—	2	2	2
		M6X, P6X, C5X, CRX, C6X, H6X, D6X	L,R,W	2729 EX9	2	—	2	2	2	2
		P6Y	L	2729 EY2	—	—	—	2	—	—
		D6P, F6P.....	B	2729 EY3	—	—	—	2	2	2
		H6B, D6B	B	2729 EB5	—	—	—	2	2	2
		H6G, D6G	B	2729 EF8	—	—	—	2	2	2
		H6R, D6R	B	2729 ER7	—	—	—	2	2	2
		D6J, D6T, D6U	B	2729 ET5	—	—	—	2	2	2
		D6P.....	B	2729 EY3	—	—	—	2	2	2
		D6N	B	2729 EY9	—	—	2	2	2	—
		H6C, H6E, H6F, H6V, H6W	V,B	2729 EW1	1	—	—	2	2	2
		H6X.....	V,B	2729 EX9	1	—	—	2	2	2
		P6B.....	L	2729 EB4	—	—	—	—	2	2
		H6B.....	L	2729 EB3	1	—	—	—	—	—
		P6G.....	L	2729 EF4	—	—	—	—	2	2
		P6R.....	L	2729 ER5	—	—	—	—	2	2
		P6W, P6C, P6E, P6F.....	L	2729 EW2	—	—	—	—	2	2
		H6X.....	L	2729 EX9	1	—	—	—	—	—
		P6X.....	L	2729 EX7	—	—	—	—	2	2
		P6Y.....	L	2729 EY2	—	—	—	—	2	2
		M8X	P	6162-3 EX9	1	1	1	—	—	—
		P8X	P	8610-1 EX9	—	1	—	—	—	—
		P3B, P3D.....	R,W	2731 E3D	2	—	—	—	—	—
		P3G.....	R,W	2731 E3G	2	—	—	—	—	—
		P3T	R	2731 E3T	1	—	—	—	—	—
		P3X.....	R,W	2731 E3X	2	—	—	—	—	—
P3Y.....	R,W	2731 E3Y	2	—	—	—	—	—		
H7B.....	D	8794-5 EB2	1	1	—	—	—	—		
H7G.....	D	8794-5 EF2	1	1	—	—	—	—		

NOTE: A letter code in the carline column indicates the carline for which the part is released as follows:

CARLINES Indicate:	V - Valiant L - Dart	R - Belvedere W - Coronet	P - Plymouth D - Dodge	C - Chrysler Y - Imperial
	B - Barracuda			

AR Indicates use as required.
★ Indicates change or addition.

Right and left part numbers are on same line,
first number is right, second number is left.

Printed in U.S.A.
January 1971

1969 PASSENGER CAR PARTS CATALOG

INTERIOR TRIM

CODE	PART NAME	CAR LINE	PART NUMBER	Sed.	4 D.H.T.	Sta. Wgn.	2 D.H.T.	Sp. 2 D.H.T.	Conv.
23-108-32	PANEL, Back of Front Seat Back Cont'd.								
	H7X.....	D	8794-5 EX9	1	1	—	—	—	—
	H8T.....	D	8726-7 ET5	—	—	1	—	—	—
	H8X.....	D	8726-7 EX7	—	—	1	—	—	—
	S7B.....	D	8794-5 EB2	1	1	—	—	—	—
	S7G.....	D	8794-5 EF2	1	1	—	—	—	—
	S7X.....	D	8794-5 EX9	1	1	—	—	—	—
	H8X.....	D	6162-3 EX9	1	1	1	—	—	—
	L7E.....	C	6162-3 EE8	1	1	—	—	—	—
	E8G.....	C	6162-3 EF8	—	—	1	—	—	—
	E7L, L7L.....	C	6162-3 EL2	1	1	1	—	—	—
	E8X, L8X, M8X.....	P,C	6162-3 EX9	1	1	1	—	—	—
	H1D.....	C	6153 EB9	1	1	—	—	—	—
	H1G.....	C	6153 EF8	1	1	—	—	—	—
	H1Q.....	C	6153 EQ4	1	1	—	—	—	—
	H1X.....	C	6153 EX9	1	1	—	—	—	—
	H1Y.....	C	6153 EY4	1	1	—	—	—	—
	HST.....	C	6158-9 ET5	1	1	—	—	—	—
	H3D.....	C	6170 E3D	—	—	—	2	—	—
	H3G.....	C	6170 E3G	—	—	—	2	—	—
	H3Q.....	C	6170 E3Q	—	—	—	2	—	—
	H3X.....	C	6170 E3X	—	—	—	2	—	—
	H3Y.....	C	6170 E3Y	—	—	—	2	—	—
	H7D.....	C	6166-7 EB9	1	1	—	—	—	—
	H7E.....	C	6166-7 EE8	1	1	—	—	—	—
	H7L, H8L.....	C	6166-7 EL2	1	1	—	—	—	—
	H8X.....	C	6166-7 EX9	1	1	—	—	—	—
	D1D, M1D.....	Y	8512 EB9	1	—	—	—	—	—
	D1G, M1G.....	Y	8512 EF3	1	—	—	—	—	—
	D1M, M1M.....	Y	8512 EM9	1	—	—	—	—	—
	D1Q, M1Q.....	Y	8512 EQ4	1	—	—	—	—	—
	D1K, M1K.....	Y	8512 ET9	1	—	—	—	—	—
	D1X, M1X.....	Y	8512 EX9	1	—	—	—	—	—
	MDD.....	Y	8288-9 EB9	—	1	—	—	—	—
	MDG.....	Y	8288-9 EF8	—	1	—	—	—	—
	MDM.....	Y	8288-9 EM9	—	1	—	—	—	—
	MDQ.....	Y	8288-9 EQ4	—	1	—	—	—	—
	MDX.....	Y	8288-9 EX9	—	1	—	—	—	—
	MDK.....	Y	8288-9 ET2	—	1	—	—	—	—
	MSB.....	Y	8294-5 ESB	—	1	—	—	—	—
	MSD.....	Y	8294-5 ESD	—	1	—	—	—	—
	MSN.....	Y	8294-5 ESN	—	1	—	—	—	—
	MSG.....	Y	8294-5 ESG	—	1	—	—	—	—
	MST.....	Y	8294-5 EST	—	1	—	—	—	—
	MSR.....	Y	8294-5 ESR	—	1	—	—	—	—
	MSW.....	Y	8294-5 ESW	—	1	—	—	—	—
	MSX.....	Y	8294-5 ESX	—	1	—	—	—	—
	MSY.....	Y	8294-5 ESY	—	1	—	—	—	—
	M3D, MBD.....	Y	7702 EB9	—	—	—	2	—	—
	M3G, MBG.....	Y	7702 EF9	—	—	—	2	—	—
	M3M, MBM.....	Y	7702 EM9	—	—	—	2	—	—
	M3Q, MBQ.....	Y	7702 EQ6	—	—	—	2	—	—
	M3K, MBK.....	Y	7702 ET9	—	—	—	2	—	—
	M3X, MBX.....	Y	7702 EX9	—	—	—	2	—	—
	MRB.....	Y	6184 EB9	—	—	—	2	—	—
	MRG.....	Y	6184 EF9	—	—	—	2	—	—
	MRT.....	Y	6184 ET9	—	—	—	2	—	—
	MRW, MRX.....	Y	6184 EX9	—	—	—	2	—	—

NOTE: A letter code in the carline column indicates the carline for which the part is released as follows:

CARLINES Indicate:	B - Barracuda	V - Valiant	R - Belvedere	P - Plymouth	C - Chrysler
		L - Dart	W - Coronet	D - Dodge	Y - Imperial

AR Indicates use as required.

★ Indicates change or addition.

Right and left part numbers are on same line,
first number is right, second number is left.

Printed in U.S.A.

January 1971

CODE	PART NAME	CAR LINE	PART NUMBER	Sed.	4 D.H.T.	Sta. Wgn.	2 D.H.T.	Sp. 2 D.H.T.	Conv.
23-108-32	PANEL, Back of Front Seat Back Cont'd. COVER								
	MRB	Y	3862 EB9	—	—	—	2	—	—
	MRG	Y	3862 EF9	—	—	—	2	—	—
	MRT	Y	3862 ET9	—	—	—	2	—	—
	MRW, MRX	Y	3862 DX9	—	—	—	2	—	—
	Screw, Back of Frt. Back Trim Pnl.			4	—	4	4	4	4
	Btm. Att.	R,W,D,C	9416 049	3	3	3	—	—	—
	Nut, Back Shield to Cush. Shield	P,D,C,Y	6025 679						
23-108-34	PLATE, Front Seat Back Headrest Finish Bench Type Seat	V,B,L,R,W, P,D,C	2888 485	4	4	4	4	4	4
	Bucket Seats	V,B,L,R,W, P,D,C	2888 487	4	4	4	4	4	4
23-108-37	CHANNEL, Back of Front Seat Back Lower	V,B,L,R,W R,W	2888 458 2942 817	2 4	—	2	2	2	2
23-108-44	STOP, Front Seat Head Restraint								
23-108-66	COVER, Center Cushion Arm Rest Stanchion paint as req'd.	R,W,D,P,C,Y	4388 BX9	—	2	—	2	2	2
23-108-71	BRACKET, Front Seat Center Cushion Mtg. Frt. Rr.	R,W R,W	2784 600 2784 598	1 1	—	1	1	1	1
	BRACKET, Front Seat Cushion Shield Att. 50/50 seat	P,D,C,Y P,D,C,Y	2609 238-9 2888 742	1 2	1 2	1 2	— 2	— 2	— 2
	Bench Seat, Frt.								
	SUPPORT, Cushion Side Shield Bucket Seats	P,D,C,Y R,W	2858 612 2942 818	— 4	2	—	2	2	2
	BRACKET, Front Seat Headrest Stop								
23-108-84	COVER, Front Seat Back Hinge Bucket Seats	V,B,L,R,W V,B,L	2736-7 DX9 4324-5 EX9	2 1	—	—	2	2	2
	Outer Hinge Arm	R,W P,D,C	4338-9 DX9 4440-1 DX9	1 1	—	—	1	—	1
	Screw, to Bucket Seat Back	V,B,L,R,W	167 545	4	—	—	4	4	4
	Screw, Outer Hinge Arm Cover	R,W,P,D,C	9419 347	4	4	4	4	—	4
23-108-98	SHIELD, Front Seat Side CUSHION, BENCH TYPE								
	Manual, Rt.	P,D,C	2858 628	1	1	1	1	1	1
	Power, Rt.	P,D,C,Y	2858 632	—	—	—	1	1	1
	Manual, Lt.	P,C	2858 629	1	1	1	—	—	—
	Power, Lt.	P,D,C	2942 127	1	1	1	—	—	—
	Power, Lt.	P,D,C,Y	2942 131	—	—	—	1	—	1
	Manual, Lt.	P,D,C,Y	2858 633	—	—	—	1	1	1
	CUSHION, 50/50, Rt. Manual	P,D,C	2767 570	1	1	1	—	—	—
	Power	C	2942 136	1	1	1	—	—	—
	Manual, Lt.	P,D,C	2767 919	1	1	1	—	—	—
	Power	P,D,C	2942 137	1	1	1	—	—	—
	BACK, 50/50, Rt.	P,D,C	2888 456	1	1	1	—	—	—
	Lt.	P,D,C	2888 457	1	1	1	—	—	—
	BUCKET SEATS CUSHION								
	Manual	P,D,C	7920-1 DX9	—	1	—	1	1	1
	Power	P,D,C	7922-3 EX9	—	1	—	1	—	1
	BACK	P,D,C	7928 DX9	—	2	—	2	2	2
	BENCH SEAT, RT.								
	CODES								
	D1D, M1D	Y	2700 EB9	1	—	—	—	—	—
	D1G, M1G	Y	2700 EF3	1	—	—	—	—	—

NOTE: A letter code in the carline column indicates the carline for which the part is released as follows:

CARLINES Indicate:	B - Barracuda	V - Valiant L - Dart	R - Belvedere W - Coronet	P - Plymouth D - Dodge	C - Chrysler Y - Imperial
--------------------	---------------	-------------------------	------------------------------	---------------------------	------------------------------

AR Indicates use as required.
★ Indicates change or addition.

Right and left part numbers are on same line,
first number is right, second number is left.

Printed in U.S.A.
January 1971

1969 PASSENGER CAR PARTS CATALOG

INTERIOR TRIM

CODE	PART NAME	CAR LINE	PART NUMBER	Sed.	4 D.H.T.	Sta. Wgn.	2 D.H.T.	Sp. 2 D.H.T.	Conv.
23-108-98	SHIELD, Front Seat Side Cont'd.								
	D1M, M1M.....	Y	2700 EM9	1	—	—	—	—	—
	D1Q, M1Q.....	Y	2700 DQ4	1	—	—	—	—	—
	D1K, M1K.....	Y	2700 ET9	1	—	—	—	—	—
	D1X, M1X.....	Y	2700 DX9	1	—	—	—	—	—
	Manual, Lt.								
	M1D.....	Y	2703 EB9	1	—	—	—	—	—
	M1G.....	Y	2703 EF3	1	—	—	—	—	—
	M1M.....	Y	2703 EM9	1	—	—	—	—	—
	M1Q.....	Y	2703 EQ4	1	—	—	—	—	—
	M1K.....	Y	2703 ET9	1	—	—	—	—	—
	M1X.....	Y	2703 EX9	1	—	—	—	—	—
	Power, Lt.,								
	D1D, M1D.....	Y	2705 EB9	1	—	—	—	—	—
	D1G, M1G.....	Y	2705 EF3	1	—	—	—	—	—
	D1M, M1M.....	Y	2705 EM9	1	—	—	—	—	—
	D1Q, M1Q.....	Y	2705 EQ4	1	—	—	—	—	—
	D1K, M1K.....	Y	2705 ET9	1	—	—	—	—	—
	D1X, M1X.....	Y	2705 EX9	1	—	—	—	—	—
	BUCKET SEAT CUSHION								
	Drivers Side Manual, Rt.....	Y	7926 DX9	—	—	—	1	—	—
	Manual, Lt.....	Y	7925 DX9	—	—	—	1	—	—
	Power, Lt.....	Y	7925 EX9	—	—	—	1	—	—
	Pass. side								
	Manual, Rt.....	Y	2756 EX9	—	—	—	1	—	—
	Power, Rt.....	Y	7924 DX9	—	—	—	1	—	—
	Manual, Lt.....	Y	7927 DX9	—	—	—	1	—	—
	BUCKET SEAT BACK								
	MRB.....	Y	7916-7 EB3	—	—	—	1	—	—
	MRG.....	Y	7916-7 EF8	—	—	—	1	—	—
	MRT.....	Y	7916-7 ET8	—	—	—	1	—	—
	MRW.....	Y	7916-7 EW1	—	—	—	1	—	—
	MRX.....	Y	7916-7 EX9	—	—	—	1	—	—
	Trimmed for Hd.-Rests								
	MRB.....	Y	7918-9 EB3	—	—	—	1	—	—
	MRG.....	Y	7918-9 EF8	—	—	—	1	—	—
	MRT.....	Y	7918-9 ET8	—	—	—	1	—	—
	MRW.....	Y	7918-9 EW1	—	—	—	1	—	—
	MRX.....	Y	7918-9 EX9	—	—	—	1	—	—
	Upper, Rt.								
	MSB.....	Y	2754 EB3	—	1	—	—	—	—
	MSD, MDD.....	Y	2754 EB9	—	1	—	—	—	—
	MSG, MDG.....	Y	2754 EF8	—	1	—	—	—	—
	MDM.....	Y	2754 EM9	—	1	—	—	—	—
	MDQ.....	Y	2754 DQ4	—	1	—	—	—	—
	MSR.....	Y	2754 ER7	—	1	—	—	—	—
	MST.....	Y	2754 ET8	—	1	—	—	—	—
	MDK.....	Y	2754 ET9	—	1	—	—	—	—
	MSW.....	Y	2754 EW1	—	1	—	—	—	—
	MSX, MDX.....	Y	2754 DX9	—	1	—	—	—	—
	MSY.....	Y	2754 EY4	—	1	—	—	—	—
	MSN.....	Y	2754 EY9	—	1	—	—	—	—
	CUSHION, MAN., Rt.								
	MSB.....	Y	2750 EB3	—	1	—	—	—	—
	MSD, MDD.....	Y	2750 EB9	—	1	—	—	—	—
	MSG, MDG.....	Y	2750 EF8	—	1	—	—	—	—
	MDM.....	Y	2750 EM9	—	1	—	—	—	—
	MDQ.....	Y	2750 CQ4	—	1	—	—	—	—

NOTE: A letter code in the carline column indicates the carline for which the part is released as follows:

CARLINES Indicate:	B - Barracuda	V - Valiant	R - Belvedere	P - Plymouth	C - Chrysler
		L - Dart	W - Coronet	D - Dodge	Y - Imperial

AR Indicates use as required.

★ Indicates change or addition.

Right and left part numbers are on same line,
first number is right, second number is left.

Printed in U.S.A.

January 1971

CODE	PART NAME	CAR LINE	PART NUMBER	Sed.	4 D.H.T.	Sta. Wgn.	2 D.H.T.	Sp. 2 D.H.T.	Conv.
23-108-98	SHIELD, Front Seat Side Cont'd.								
	MSR	Y	2750 ER7	—	1	—	—	—	—
	MST	Y	2750 ET8	—	1	—	—	—	—
	MDK	Y	2750 ET9	—	1	—	—	—	—
	MSW	Y	2750 EW1	—	1	—	—	—	—
	MSX, MDX	Y	2750 DX9	—	1	—	—	—	—
	MSY	Y	2750 EY4	—	1	—	—	—	—
	MSN	Y	2750 EY9	—	1	—	—	—	—
	CUSHION, POWER, Rt.								
	MSB	Y	2749 EB3	—	1	—	—	—	—
	MSD, MDD	Y	2749 EB9	—	1	—	—	—	—
	MSG, MDG	Y	2749 EF8	—	1	—	—	—	—
	MDM	Y	2749 EM9	—	1	—	—	—	—
	MDQ	Y	2749 EQ4	—	1	—	—	—	—
	MSR	Y	2749 ER7	—	1	—	—	—	—
	MST	Y	2749 ET8	—	1	—	—	—	—
	MDK	Y	2749 ET9	—	1	—	—	—	—
	MSW	Y	2749 EW1	—	1	—	—	—	—
	MSX, MDX	Y	2749 EX9	—	1	—	—	—	—
	MSY	Y	2749 EY4	—	1	—	—	—	—
	MSN	Y	2749 EY9	—	1	—	—	—	—
	SIDE SHIELD COMP., MANUAL, Lt.								
	MSB	Y	2701 EB3	—	1	—	—	—	—
	MSD, MDD	Y	2701 EB9	—	1	—	—	—	—
	MSG, MDG	Y	2701 EF8	—	1	—	—	—	—
	MDM	Y	2701 EM9	—	1	—	—	—	—
	MDQ	Y	2701 DQ4	—	1	—	—	—	—
	MSR	Y	2701 ER7	—	1	—	—	—	—
	MST	Y	2701 ET8	—	1	—	—	—	—
	MDK	Y	2701 ET9	—	1	—	—	—	—
	MSW	Y	2701 EW1	—	1	—	—	—	—
	MSX, MDX	Y	2701 DX9	—	1	—	—	—	—
	MSY	Y	2701 EY4	—	1	—	—	—	—
	MSN	Y	2701 EY9	—	1	—	—	—	—
	SIDE SHIELD COMP., POWER, Lt.								
	MSB	Y	2702 EB3	—	1	—	—	—	—
	MSD, MDD	Y	2702 EB9	—	1	—	—	—	—
	MSG, MDG	Y	2702 EF8	—	1	—	—	—	—
	MDQ	Y	2702 EQ4	—	1	—	—	—	—
	MDM	Y	2702 EM9	—	1	—	—	—	—
	MSR	Y	2702 ER7	—	1	—	—	—	—
	MST	Y	2702 ET8	—	1	—	—	—	—
	MDK	Y	2702 ET9	—	1	—	—	—	—
	MSW	Y	2702 EW1	—	1	—	—	—	—
	MSX, MDX	Y	2702 EX9	—	1	—	—	—	—
	MSY	Y	2702 EY4	—	1	—	—	—	—
	MSN	Y	2702 EY9	—	1	—	—	—	—
	Nut, Back Shield to Cushion Shield	P,D,C,Y	6025 679	3	3	3	—	—	—
	Screw, Recl. Bucket Seat Back Shield, Lwr. Att. Bracket to Spring	P,D,C,Y	9416 049	—	3	—	3	—	3
	Nut and Washer, 2nd Seat Back Hinge to w/House Inner Pnl.	R,W	6025 004	—	—	6	—	—	—
	Bolt and Washer, Frt. Seat Back to Seat Frame	V,L,R,W, P,D,C,Y	9422 041	4	4	4	—	—	—
	Screw, Bench Seat Cush. Side Shield Frt. Att. Brkt. to Cush.	P,D,C,Y	9416 049	4	4	4	4	—	4
	Screw, Frt. Seat Side Shield to Cush., Bench, Rr.	P,D,C,Y	9427 808	4	4	4	4	4	4

NOTE: A letter code in the carline column indicates the carline for which the part is released as follows:

CARLINES Indicate:	B - Barracuda	V - Valiant L - Dart	R - Belvedere W - Coronet	P - Plymouth D - Dodge	C - Chrysler Y - Imperial
--------------------	---------------	-------------------------	------------------------------	---------------------------	------------------------------

AR Indicates use as required.
★ Indicates change or addition.

Right and left part numbers are on same line,
first number is right, second number is left.

Printed in U.S.A.
January 1971

1969 PASSENGER CAR PARTS CATALOG

INTERIOR TRIM

CODE	PART NAME	CAR LINE	PART NUMBER	D.H.T.						
				Sed.	4 D.H.T.	Sta. Wgn.	2 D.H.T.	Sp. 2 D.H.T.	Conv.	
23-108-98	SHIELD, Front Seat Side Cont'd.									
	Screw, Cush. Side Supt. Att., Bucket	P,D,C,Y	9416 049	—	4	—	4	4	4	
	Screw, Bench Seat Side to Frt. Att. Brkt.	P,D,C,Y	9418 246	4	4	4	4	4	4	
	Rim, Recl. Bucket Seat Back to Base	P,D,C,Y	9412 281	—	2	—	2	2	2	
	Screw, Bucket Seat Back Shield Att.	P,D,C	9416 208	—	12	—	12	12	12	
	Screw, Cush. Shield Frt. Att.	P,D,C,Y	9416 208	—	4	—	4	4	4	
23-108-142	BRACKET, Cushion or Back Shield Attaching									
	50/50 Seat Cushion, Front	D,P,C,Y	2609 238-9	1	1	1	—	—	—	
	Bucket Seat Back Shield, Lower	P,D,C,Y	2888 360	—	3	—	3	—	3	
23-109-3	BACK, Rear Seat									
	For Complete Assembly Order									
	By Description, Vehicle Serial									
	Number and Trim Code: For Cover									
	Only See Type Code 23-109-4									
23-109-4	COVER, Rear Seat Back									
	CODES									
	L1B	V	6731 E1B	1	—	—	—	—	—	
	L1R	V	6731 E1R	1	—	—	—	—	—	
	L1X	V	6731 E1X	1	—	—	—	—	—	
	L2B	V	6700 E2B	1	—	—	—	—	—	
	L2T	V	6700 E2T	1	—	—	—	—	—	
	L2X	V	6700 E2X	1	—	—	—	—	—	
	D1B, H1B	V	6701 E1B	1	—	—	—	—	—	
	H1G	V	6701 E1G	1	—	—	—	—	—	
	D1X, H1X	V	6701 E1X	1	—	—	—	—	—	
	D2B, D4B, H2B, H4B Up To Build Date 8-1-69	V	6705 E2B	1	—	—	—	—	—	
	D2R, D4R, H2R, H4R Up To Build Date 8-1-69	V	6705 E2R	1	—	—	—	—	—	
	D2X, D4X, H2X, H4X, H6X Up To Build Date 8-1-69	V	6705 E2X	1	—	—	—	—	—	
	H2Y, H4Y Up To Build Date 8-1-69	V	6705 E2Y	1	—	—	—	—	—	
	H6C, H6E, H6F, H6V, H6W Up To Build Date 8-1-69	V	6705 E2W	1	—	—	—	—	—	
	D2B, D4B, H2B, H4B After Build Date 8-1-69	V	6705 E2D	1	—	—	—	—	—	
	D2R, D4R, H2R, H4R After Build Date 8-1-69	V	6705 E2H	1	—	—	—	—	—	
	D2X, D4X, H2X, H4X, H6X After Build Date 8-1-69	V	6705 E2A	1	—	—	—	—	—	
	H2Y, H4Y After Build Date 8-1-69	V	6705 E2O	1	—	—	—	—	—	
	H6E, H6G, H6F, H6V, H6W After Build Date	V	6705 E2K	1	—	—	—	—	—	
	L2B, H2B, H4B, H6B	B	6702 E6B	—	—	—	1	—	—	
	H6G	B	6702 E6G	—	—	—	1	—	—	
	L2R, H2R, H6R	B	6702 E6R	—	—	—	1	—	—	
	H4C, H4F, H4W, H4V, H6C, H6F, H6V, H6W	B	6702 E6W	—	—	—	1	—	—	
	L2X, H2X, H4X, H6X	B	6702 E6X	—	—	—	1	—	—	
	F6J	B	6702 E6J	—	—	—	1	—	—	
	F6P	B	6702 E6P	—	—	—	1	—	—	
	L2B, H4B, H6B, H2B	B	6715 E6B	—	—	—	—	1	—	
	H6G	B	6715 E6G	—	—	—	1	—	—	
	L2R, H2R, H6R	B	6715 E6R	—	—	—	—	1	—	
	H4C, H4F, H4V, H4W, H6C, H6F, H6V, H6W	B	6715 E6W	—	—	—	—	1	—	
	L2X, H2X, H4X, H6X	B	6715 E6X	—	—	—	—	1	—	
	H6B	B	6710 E6B	—	—	—	—	—	1	
	H6R	B	6710 E6R	—	—	—	—	—	1	
	H6C, H6W	B	6710 E6W	—	—	—	—	—	1	
	H6X	B	6710 E6X	—	—	—	—	—	1	
	D6B	B	6706 E6B	—	—	—	1	—	—	
	D6G	B	6706 E6G	—	—	—	1	—	—	
	D6X	B	6706 E6X	—	—	—	1	—	—	
	D6P	B	6706 E6P	—	—	—	1	—	—	
	D6R	B	6706 E6R	—	—	—	1	—	—	
	D6T, D6J, D6U	B	6706 E6T	—	—	—	1	—	—	
	D6B	B	6709 E6B	—	—	—	—	1	—	
	D6G	B	6709 E6G	—	—	—	—	1	—	

NOTE: A letter code in the carline column indicates the carline for which the part is released as follows:

CARLINES Indicate:	V - Valiant	R - Belvedere	P - Plymouth	C - Chrysler
B - Barracuda	L - Dart	W - Coronet	D - Dodge	Y - Imperial

AR Indicates use as required.
 ★ Indicates change or addition.

Right and left part numbers are on same line,
 first number is right, second number is left.

Printed in U.S.A.
 January 1971

CODE	PART NAME	CAR LINE	PART NUMBER	Sed.	4 D.H.T.	Sta. Wgn.	2 D.H.T.	Sp. 2 D.H.T.	Conv.
23-109-4	COVER, Rear Seat Back Cont'd.								
	D6X.....	B	6709 E6X	—	—	—	—	—	—
	D6P.....	B	6709 E6P	—	—	—	—	—	—
	D6R.....	B	6709 E6R	—	—	—	—	—	—
	D6T, D6J, D6U.....	B	6709 E6T	—	—	—	—	—	—
	D6B.....	B	6708 E6B	—	—	—	—	—	—
	D6G.....	B	6708 E6G	—	—	—	—	—	—
	D6X.....	B	6708 E6X	—	—	—	—	—	—
	D6P.....	B	6708 E6P	—	—	—	—	—	—
	D6R.....	B	6708 E6R	—	—	—	—	—	—
	D6T.....	B	6708 E6T	—	—	—	—	—	—
	L1B.....	L	6772 E1B	1	—	—	—	—	—
	L1R.....	L	6772 E1R	1	—	—	—	—	—
	L1X.....	L	6772 E1X	1	—	—	—	—	—
	L2B.....	L	6726 E2B	1	—	—	—	—	—
	L2T.....	L	6726 E2T	1	—	—	—	—	—
	L2X.....	L	6726 E2X	1	—	—	—	—	—
	L2B.....	L	6716 E2B	—	—	—	1	—	—
	L2X.....	L	6716 E2X	—	—	—	1	—	—
	H1B.....	L	6727 E1B	1	—	—	—	—	—
	H1G.....	L	6727 E1G	1	—	—	—	—	—
	H1L.....	L	6727 E1L	1	—	—	—	—	—
	H1X.....	L	6727 E1X	1	—	—	—	—	—
	H2B.....	L	8627 E2B	1	—	—	—	—	—
	H2G.....	L	8627 E2G	1	—	—	—	—	—
	H2T.....	L	8627 E2T	1	—	—	—	—	—
	H2X.....	L	8627 E2X	1	—	—	—	—	—
	H2B.....	L	6730 E2B	—	—	—	1	—	—
	H2G.....	L	6730 E2G	—	—	—	1	—	—
	H2R.....	L	6730 E2R	—	—	—	1	—	—
	H2T.....	L	6730 E2T	—	—	—	1	—	—
	H2X.....	L	6730 E2X	—	—	—	1	—	—
	H2C, H2W.....	L	6730 E2W	—	—	—	1	—	—
	H6B.....	L	8624 E6B	1	—	—	—	—	—
	H6X.....	L	8624 E6X	1	—	—	—	—	—
	D2B.....	L	6779 E2B	—	—	—	1	—	—
	D2T.....	L	6779 E2T	—	—	—	1	—	—
	D2X.....	L	6779 E2X	—	—	—	1	—	—
	P6B.....	L	6732 E6B	—	—	—	1	—	—
	P6G.....	L	6732 E6G	—	—	—	1	—	—
	P6R.....	L	6732 E6R	—	—	—	1	—	—
	P6W, P6E, P6C, P6F.....	L	6732 E6W	—	—	—	1	—	—
	P6X.....	L	6732 E6X	—	—	—	1	—	—
	P6Y.....	L	6732 E6Y	—	—	—	1	—	—
	P2B, P6B.....	L	6735 E6B	—	—	—	—	—	1
	P6G.....	L	6735 E6G	—	—	—	—	—	1
	P2R, P6R.....	L	6735 E6R	—	—	—	—	—	1
	P2W, P6W, P6C, P6F.....	L	6735 E6W	—	—	—	—	—	1
	P2X, P6X.....	L	6735 E6X	—	—	—	—	—	1
	P6Y.....	L	6735 E6Y	—	—	—	—	—	1
	4 DOOR								
	K1T.....	R,W	6760 E1T	1	—	—	—	—	—
	2 DOOR								
	K1T.....	R,W	6764 E1T	1	—	—	—	—	—
	K2T.....	R,W	6765 E2T	1	—	—	—	—	—
	4 DOOR								
	K2T, T2T.....	R,W	6767 E2T	1	—	—	—	—	—
	T2X.....	R,W	6767 E2X	1	—	—	—	—	—

NOTE: A letter code in the carline column indicates the carline for which the part is released as follows:

CARLINES Indicate:	V - Valiant	R - Belvedere	P - Plymouth	C - Chrysler
B - Barracuda	L - Dart	W - Coronet	D - Dodge	Y - Imperial

AR Indicates use as required.
 ★ Indicates change or addition.

Right and left part numbers are on same line,
 first number is right, second number is left.

Printed in U.S.A.
 January 1971

1969 PASSENGER CAR PARTS CATALOG

INTERIOR TRIM

CODE	PART NAME	CAR LINE	PART NUMBER	Sed.	4 D.H.T.	Sta. Wgn.	2 D.H.T.	Sp. 2 D.H.T.	Conv.
23-109-4 COVER, Rear Seat Back Cont'd.									
L1B	R	6750 E1B	1	—	—	—	—	—
L1T	R	6750 E1T	1	—	—	—	—	—
L2B	R	6755 E2B	—	—	1	—	—	—
L2T	R	6755 E2T	—	—	1	—	—	—
L2X, D2X	Up To Build Date 6-1-69	R,W	6751 E2X	1	—	—	—	—	—
D2X, L2X	After Build Date 6-1-69	R,W	6751 E2A	1	—	—	—	—	—
2 DOOR									
M2B	R	6777 E2B	1	—	—	—	—	—
M2X	R	6777 E2X	1	—	—	—	—	—
M2T	R	6777 E2T	1	—	—	—	—	—
H1B	R	6753 E1B	1	—	—	—	—	—
H1G	R	6753 E1G	1	—	—	—	—	—
H1T	R	6753 E1T	1	—	—	—	—	—
H1X	R	6753 E1X	1	—	—	—	—	—
6PASS.									
L2B	R,W	6752 E2B	—	—	1	—	—	—
L2T	R,W	6752 E2T	—	—	1	—	—	—
L2X, D2X	R,W	6752 E2X	—	—	1	—	—	—
H1B	R	6754 E1B	—	—	—	1	—	—
H1G	R	6754 E1G	—	—	—	1	—	—
H1X	R	6754 E1X	—	—	—	1	—	—
F2Q	R	6792 E2Q	—	—	—	1	—	—
H2B, X2B	R	6761 E2B	1	—	—	—	—	—
H2T, X2T	R	6761 E2T	1	—	—	—	—	—
H2X, X2X	R	6761 E2X	1	—	—	—	—	—
4 DOOR									
P3B	R	6829 E3B	1	—	—	—	—	—
P3G	R	6829 E3G	1	—	—	—	—	—
P3T	R	6829 E3T	1	—	—	—	—	—
P3X	R	6829 E3X	1	—	—	—	—	—
P6D	R	6795 E6D	1	—	—	—	—	—
P6G	R	6795 E6G	1	—	—	—	—	—
P6S	R	6795 E6S	1	—	—	—	—	—
P6T	R	6795 E6T	1	—	—	—	—	—
P6C, P6F, P6H	R	6795 E6W	1	—	—	—	—	—
P6X	R	6795 E6X	1	—	—	—	—	—
2ND SEAT									
H2B, P2B	R	6757 E2B	—	—	1	—	—	—
H2G, P2G	R	6757 E2G	—	—	1	—	—	—
H2S, P2S	R	6757 E2S	—	—	1	—	—	—
H2T, P2T	R	6757 E2T	—	—	1	—	—	—
H2X, P2X	R	6757 E2X	—	—	1	—	—	—
P2C, P2F, P2H	R	6757 E2W	—	—	1	—	—	—
3RD SEAT									
H2B, P2B	R	7056 E2B	—	—	1	—	—	—
H2G, P2G	R	7056 E2G	—	—	1	—	—	—
H2S, P2S	R	7056 E2S	—	—	1	—	—	—
H2T, P2T	R	7056 E2T	—	—	1	—	—	—
H2X, P2X	R	7056 E2X	—	—	1	—	—	—
P2C, P2F, P2H	R	7056 E2W	—	—	1	—	—	—
H2B	R	6758 E2B	1	—	—	1	—	—
H2G	R	6758 E2G	1	—	—	1	—	—
H2S	R	6758 E2S	1	—	—	1	—	—
H2T	R	6758 E2T	1	—	—	1	—	—
H2X	R	6758 E2X	1	—	—	1	—	—
H2C, H2F, H2H, H2W	R	6758 E2W	1	—	—	1	—	—
H2B	R	6759 E2B	—	—	—	—	—	1

NOTE: A letter code in the carline column indicates the carline for which the part is released as follows:

CARLINES Indicate:	B - Barracuda	V - Valiant L - Dart	R - Belvedere W - Coronet	P - Plymouth D - Dodge	C - Chrysler Y - Imperial
--------------------	---------------	-------------------------	------------------------------	---------------------------	------------------------------

AR Indicates use as required.

★ Indicates change or addition.

Right and left part numbers are on same line,
first number is right, second number is left.

Printed in U.S.A.

January 1971

CODE	PART NAME	CAR LINE	PART NUMBER	Sed.	4 D.H.T.	Sta. Wgn.	2 D.H.T.	Sp. 2 D.H.T.	Conv.
23-109-4	COVER, Rear Seat Back Cont'd.								
	H2T	R	6759 E2T	—	—	—	—	—	1
	H2X	R	6759 E2X	—	—	—	—	—	1
	H2C, H2H, H2W	R	6759 E2W	—	—	—	—	—	1
	2 DOOR								
	P6D, M6B	R	6762 E6D	1	—	—	1	—	—
	P6G, M6G	R	6762 E6G	1	—	—	1	—	—
	P6R	R	6762 E6R	—	—	—	1	—	—
	P6S, M6S	R	6762 E6S	1	—	—	1	—	—
	P6T, M6T	R	6762 E6T	1	—	—	1	—	—
	P6W, P6C, P6H, P6F, P6V, M6W, M6C, M6F, M6H	R	6762 E6W	1	—	—	1	—	—
	P6X, M6X	R	6762 E6X	1	—	—	1	—	—
	P6D, M6B	R	6763 E6D	—	—	—	—	—	1
	P6T, M6T	R	6763 E6T	—	—	—	—	—	1
	P6W, P6C, P6H, M6W, M6C, M6H	R	6763 E6W	—	—	—	—	—	1
	P6X, M6X	R	6763 E6X	—	—	—	—	—	1
	K1T	P	7453 E1T	1	—	—	—	—	—
	E1B	P	6713 E1B	1	—	—	—	—	—
	E1L	P	6713 E1L	1	—	—	—	—	—
	L1B	P	6782 E1B	1	—	—	—	—	—
	L1G	P	6782 E1G	1	—	—	—	—	—
	L1L	P	6782 E1L	1	—	—	—	—	—
	L2B	P	7756 E2B	1	—	—	—	—	—
	L2R	P	7756 E2R	1	—	—	—	—	—
	L2T	P	7756 E2T	1	—	—	—	—	—
	L2X	P	7756 E2X	1	—	—	—	—	—
	2ND SEAT								
	L2B	P	7761 E2B	—	—	1	—	—	—
	L2R	P	7761 E2R	—	—	1	—	—	—
	L2T	P	7761 E2T	—	—	1	—	—	—
	L2W	P	7761 E2W	—	—	1	—	—	—
	L2X	P	7761 E2X	—	—	1	—	—	—
	3RD SEAT								
	L2B	P	7764 E2B	—	—	1	—	—	—
	L2R	P	7764 E2R	—	—	1	—	—	—
	L2T	P	7764 E2T	—	—	1	—	—	—
	L2W	P	7764 E2W	—	—	1	—	—	—
	L2X	P	7764 E2X	—	—	1	—	—	—
	6 PASS.								
	E2B Up To Build Date 6-1-69	P	6771 E2B	—	—	1	—	—	—
	E2L Up To Build Date 6-1-69	P	6771 E2L	—	—	1	—	—	—
	E2R Up To Build Date 6-1-69	P	6771 E2R	—	—	1	—	—	—
	After Build Date 6-1-69	P	6771 E2U	—	—	1	—	—	—
	E2L After Build Date 6-1-69	P	6771 E2P	—	—	1	—	—	—
	E2R After Build Date 6-1-69	P	6771 E2H	—	—	1	—	—	—
	M1D	P	6712 E1D	1	1	—	—	1	—
	M1G	P	6712 E1G	1	1	—	—	1	—
	M1L	P	6712 E1L	1	—	—	—	—	—
	M1R	P	6712 E1R	1	—	—	—	—	—
	M1X	P	6712 E1X	1	1	—	—	1	—
	M1D	P	6768 E1D	—	—	—	1	—	—
	M1G	P	6768 E1G	—	—	—	1	—	—
	M1X	P	6768 E1X	—	—	—	1	—	—
	M4D Up To Build Date 8-1-69	P	6774 E4D	—	—	—	—	—	1
	M4R Up To Build Date 8-1-69	P	6774 E4R	—	—	—	—	—	1
	M4W Up To Build Date 8-1-69	P	6774 E4W	—	—	—	—	—	1
	M4X Up To Build Date 8-1-69	P	6774 E4X	—	—	—	—	—	1

NOTE: A letter code in the carline column indicates the carline for which the part is released as follows:

CARLINES Indicate: B - Barracuda V - Valiant R - Belvedere P - Plymouth C - Chrysler
L - Dart W - Coronet D - Dodge Y - Imperial

AR Indicates use as required.

★ Indicates change or addition.

Right and left part numbers are on same line,
first number is right, second number is left.

Printed in U.S.A.

January 1971

CODE	PART NAME	CAR LINE	PART NUMBER	Sed.	4 D.H.T.	Sta. Wgn.	2 D.H.T.	Sp. 2 D.H.T.	Conv.
23-109-4	COVER, Rear Seat Back Cont'd.								
	M4D After Build Date 8-1-69	P	6774 E4C	—	—	—	—	—	1
	M4R After Build Date 8-1-69	P	6774 E4H	—	—	—	—	—	1
	M4W After Build Date 8-1-69	P	6774 E4K	—	—	—	—	—	1
	M4X After Build Date 8-1-69	P	6774 E4A	—	—	—	—	—	1
	M4D Up To Build Date 8-1-69	P	6711 E4D	1	1	—	—	1	—
	M4G Up To Build Date 8-1-69	P	6711 E4G	1	1	—	—	1	—
	M4R Up To Build Date 8-1-69	P	6711 E4R	—	1	—	—	1	—
	M4S Up To Build Date 8-1-69	P	6711 E4S	1	1	—	—	1	—
	M4T Up To Build Date 8-1-69	P	6711 E4T	1	1	—	—	1	—
	M4X, M8X Up To Build Date 8-1-69	P	6711 E4X	1	1	—	—	1	—
	M4D After Build Date 8-1-69	P	6711 E4C	1	1	—	—	1	—
	M4G After Build Date 8-1-69	P	6711 E4F	1	1	—	—	1	—
	M4R After Build Date 8-1-69	P	6711 E4H	—	1	—	—	—	—
	M4S After Build Date 8-1-69	P	6711 E4V	1	1	—	—	1	—
	M4T After Build Date 8-1-69	P	6711 E4N	1	1	—	—	—	—
	M4X, M8X After Build Date 8-1-69	P	6711 E4A	1	1	—	—	1	—
	2nd seat								
	M4D Up To Build Date 8-1-69	P	6770 E4D	—	—	1	—	—	—
	M4G Up To Build Date 8-1-69	P	6770 E4G	—	—	1	—	—	—
	M4R Up To Build Date 8-1-69	P	6770 E4R	—	—	1	—	—	—
	M4S Up To Build Date 8-1-69	P	6770 E4S	—	—	1	—	—	—
	M4T Up To Build Date 8-1-69	P	6770 E4T	—	—	1	—	—	—
	M4X, M8X Up To Build Date 8-1-69	P	6770 E4X	—	—	1	—	—	—
	M4D After Build Date 8-1-69	P	6770 E4C	—	—	1	—	—	—
	M4G After Build Date 8-1-69	P	6770 E4F	—	—	1	—	—	—
	M4R After Build Date 8-1-69	P	6770 E4H	—	—	1	—	—	—
	M4S After Build Date 8-1-69	P	6770 E4V	—	—	1	—	—	—
	M4T After Build Date 8-1-69	P	6770 E4N	—	—	1	—	—	—
	M4X, M8X After Build Date 8-1-69	P	6770 E4A	—	—	1	—	—	—
	3rd seat								
	M4D Up To Build Date 8-1-69	P	7029 E4D	—	—	1	—	—	—
	M4G Up To Build Date 8-1-69	P	7029 E4G	—	—	1	—	—	—
	M4R Up To Build Date 8-1-69	P	7029 E4R	—	—	1	—	—	—
	M4S Up To Build Date 8-1-69	P	7029 E4S	—	—	1	—	—	—
	M4T Up To Build Date 8-1-69	P	7029 E4T	—	—	1	—	—	—
	M4X Up To Build Date 8-1-69	P	7029 E4X	—	—	1	—	—	—
	M4D After Build Date 8-1-69	P	7029 E4C	—	—	1	—	—	—
	M4G After Build Date 8-1-69	P	7029 E4F	—	—	1	—	—	—
	M4R After Build Date 8-1-69	P	7029 E4H	—	—	1	—	—	—
	M4S After Build Date 8-1-69	P	7029 E4V	—	—	1	—	—	—
	M4T After Build Date 8-1-69	P	7029 E4N	—	—	1	—	—	—
	M4X, M8X After Build Date 8-1-69	P	7029 E4A	—	—	1	—	—	—
	M4D Up To Build Date 8-1-69	P	8757 E4D	—	—	—	1	—	—
	M4G Up To Build Date 8-1-69	P	8757 E4G	—	—	—	1	—	—
	M4R Up To Build Date 8-1-69	P	8757 E4R	—	—	—	1	—	—
	M4S Up To Build Date 8-1-69	P	8757 E4S	—	—	—	1	—	—
	M4T Up To Build Date 8-1-69	P	8757 E4T	—	—	—	1	—	—
	M4W Up To Build Date 8-1-69	P	8757 E4W	—	—	—	1	—	—
	M4X Up To Build Date 8-1-69	P	8757 E4X	—	—	—	1	—	—
	M4D After Build Date 8-1-69	P	8757 E4C	—	—	—	1	—	—
	M4G After Build Date 8-1-69	P	8757 E4F	—	—	—	1	—	—
	M4R After Build Date 8-1-69	P	8757 E4H	—	—	—	1	—	—
	M4S After Build Date 8-1-69	P	8757 E4N	—	—	—	1	—	—
	M4T After Build Date 8-1-69	P	8757 E4Y	—	—	—	1	—	—
	M4W After Build Date 8-1-69	P	8757 E4K	—	—	—	1	—	—
	M4X After Build Date 8-1-69	P	8757 E4A	—	—	—	1	—	—
	H6D	P	6769 E6D	—	—	—	1	—	—

NOTE: A letter code in the carline column indicates the carline for which the part is released as follows:

CARLINES Indicate:	B - Barracuda	V - Valiant	R - Belvedere	P - Plymouth	C - Chrysler
		L - Dart	W - Coronet	D - Dodge	Y - Imperial

AR Indicates use as required.
 ★ Indicates change or addition.

Right and left part numbers are on same line,
 first number is right, second number is left.

Printed in U.S.A.
 January 1971

CODE	PART NAME	CAR LINE	PART NUMBER	Sed.	4 D.H.T.	Sta. Wgn.	2 D.H.T.	Sp. 2 D.H.T.	Conv.
23-109-4	COVER, Rear Seat Back Cont'd.								
	H6G	P	6769 E6G	—	—	—	1	—	—
	H6R	P	6769 E6R	—	—	—	1	—	—
	H6S	P	6769 E6S	—	—	—	1	—	—
	H6T	P	6769 E6T	—	—	—	1	—	—
	H6W	P	6769 E6W	—	—	—	1	—	—
	H6X	P	6769 E6X	—	—	—	1	—	—
	H6D	P	8080 E6D	—	—	—	—	1	—
	H6G	P	8080 E6G	—	—	—	—	1	—
	H6S	P	8080 E6S	—	—	—	—	1	—
	H6X	P	8080 E6X	—	—	—	—	1	—
	H6D	P	6775 E6D	—	—	—	—	—	1
	H6R	P	6775 E6R	—	—	—	—	—	1
	H6W	P	6775 E6W	—	—	—	—	—	1
	H6X	P	6775 E6X	—	—	—	—	—	1
	P3D	P	8723 E3D	—	1	—	—	1	—
	P3G	P	8723 E3G	—	1	—	—	1	—
	P3X	P	8723 E3X	—	1	—	—	1	—
	P3D	P	8730 E3D	—	—	—	1	—	—
	P3G	P	8730 E3G	—	—	—	1	—	—
	P3X	P	8730 E3X	—	—	—	1	—	—
	PPX	P	8563 EPX	—	1	—	—	1	—
	PPX	P	8619 EPX	—	—	—	1	—	—
	P4T	P	6537 E4T	—	1	—	—	1	—
	P4W	P	6537 E4W	—	1	—	—	1	—
	P6X, P8X	P	6537 E4X	—	1	—	—	1	—
	P4T	P	8746 E4T	—	—	—	1	—	—
	P4W	P	8746 E4W	—	—	—	1	—	—
	P6X	P	8746 E4X	—	—	—	1	—	—
	L1B	W	6781 E1B	1	—	—	—	—	—
	L1L	W	6781 E1L	1	—	—	—	—	—
	4 DOOR								
	H1B	W	6787 E1B	1	—	—	—	—	—
	H1G	W	6787 E1G	1	—	—	—	—	—
	H1Y	W	6787 E1Y	1	—	—	—	—	—
	H1X	W	6787 E1X	1	—	—	—	—	—
	D2X, L2X	R,W	6751 E2X	1	—	—	—	—	—
	H2B, X2B	W	6790 E2B	1	—	—	—	—	—
	H2T, X2T	W	6790 E2T	1	—	—	—	—	—
	H2X, X2X	W	6790 E2X	1	—	—	—	—	—
	2 DOOR								
	H2B	W	6791 E2B	1	—	—	1	—	—
	H2G	W	6791 E2G	1	—	—	1	—	—
	H2R	W	6791 E2R	1	—	—	1	—	—
	H2T	W	6791 E2T	1	—	—	1	—	—
	H2C, H2F, H2W	W	6791 E2W	1	—	—	1	—	—
	H2X	W	6791 E2X	1	—	—	1	—	—
	6 PASS.								
	L2B	W	6752 E2B	—	—	1	—	—	—
	L2T	W	6752 E2T	—	—	1	—	—	—
	D2X, L2X	R,W	6752 E2X	—	—	1	—	—	—
	3RD SEAT								
	D2D, P2D, P6D	W	7023 E2D	—	—	1	—	—	—
	D2G, P2G	W	7023 E2G	—	—	1	—	—	—
	D2T, P2T, P6T	W	7023 E2T	—	—	1	—	—	—
	D2X, P2X, P6X	W	7023 E2X	—	—	1	—	—	—
	P3D	W	6780 E3D	1	—	—	—	—	—
	P3G	W	6780 E3G	1	—	—	—	—	—

NOTE: A letter code in the carline column indicates the carline for which the part is released as follows:

CARLINES Indicate:	V - Valiant	R - Belvedere	P - Plymouth	C - Chrysler
B - Barracuda	L - Dart	W - Coronet	D - Dodge	Y - Imperial

AR Indicates use as required.
 ★ Indicates change or addition.

Right and left part numbers are on same line,
 first number is right, second number is left.

Printed in U.S.A.
 January 1971

1969 PASSENGER CAR PARTS CATALOG

CODE	PART NAME	CAR LINE	PART NUMBER	Sed.	4 D.H.T.	Sta. Wgn.	2 D.H.T.	Sp. 2 D.H.T.	Conv.	
23-109-4	COVER, Rear Seat Back Cont'd.									
	P3X	W	6780 E3X	1	—	—	—	—	—	
	P3Y	W	6780 E3Y	1	—	—	—	—	—	
	C6D	W	6796 E6D	—	—	—	—	1	—	
	C6G	W	6796 E6G	—	—	—	—	1	—	
	C6R	W	6796 E6R	—	—	—	—	1	—	
	C6T	W	6796 E6T	—	—	—	—	1	—	
	C6W	W	6796 E6W	—	—	—	—	1	—	
	C6X	W	6796 E6X	—	—	—	—	1	—	
	C5X	W	6797 E5X	—	—	—	—	1	—	
	2ND SEAT									
	D2D, P2D, P6D	W	6784 E2D	—	—	1	—	—	—	
	D2G, P2G	W	6784 E2G	—	—	1	—	—	—	
	D2T, P2T, P6T	W	6784 E2T	—	—	1	—	—	—	
	D2T, P2T, P6T	W	6784 E2T	—	—	1	—	—	—	
	D2X, P2X, P6X	W	6784 E2X	—	—	1	—	—	—	
	P6D	W	8884 E6D	1	—	—	—	—	—	
	P6G	W	8884 E6G	1	—	—	—	—	—	
	P6X	W	8884 E6X	1	—	—	—	—	—	
	P6D, M6B	W	6794 E6D	—	—	—	1	—	—	
	P6G, M6G	W	6794 E6G	—	—	—	1	—	—	
	P6R, M6R	W	6794 E6R	—	—	—	1	—	—	
	P6T, M6T	W	6794 E6T	—	—	—	1	—	—	
	P6W, P6C, P6F, P6V, M6C, M6W, M6W, M6F	W	6794 E6W	—	—	—	1	—	—	
	P6X, M6X	W	6794 E6X	—	—	—	1	—	—	
	CRD	W	7262 ERD	—	—	—	—	1	—	
	CRG	W	7262 ERG	—	—	—	—	1	—	
	CRT	W	7262 ERT	—	—	—	—	1	—	
	CRX	W	7262 ERX	—	—	—	—	1	—	
	P2D, P6D	W	6793 E6D	—	—	—	—	—	1	
	P2G, P6G	W	6793 E6G	—	—	—	—	—	1	
	P6R	W	6793 E6R	—	—	—	—	—	1	
	P6T	W	6793 E6T	—	—	—	—	—	1	
	P2W, P6W, P6C, P6F, P6V	W	6793 E6W	—	—	—	—	—	1	
	P2X, P6X	W	6793 E6X	—	—	—	—	—	1	
	K1A	D	7413 E1A	1	—	—	—	—	—	
	K2A	D	7412 E2A	1	—	—	—	—	—	
	K2T	P	7416 E2T	1	—	—	—	—	—	
	L1B	D	8062 E1B	1	1	—	—	—	—	
	L1G	D	8062 E1G	1	1	—	—	—	—	
	L1X	D	8062 E1X	1	1	—	—	—	—	
	L1Y	D	8062 E1Y	1	1	—	—	—	—	
	L2B	D	7795 E2B	1	1	—	—	—	—	
	L2G	D	7795 E2G	1	1	—	—	—	—	
	L2T	D	7795 E2T	1	1	—	—	—	—	
	L2W	D	7795 E2W	1	1	—	—	—	—	
	L2X	D	7795 E2X	1	1	—	—	—	—	
	2ND SEAT									
	L2B	D	6773 E2B	—	—	1	—	—	—	
	L2G	D	6773 E2G	—	—	1	—	—	—	
	L2T	D	6773 E2T	—	—	1	—	—	—	
	L2X	D	6773 E2X	—	—	1	—	—	—	
	3RD SEAT									
	L2B	D	7038 E2B	—	—	1	—	—	—	
	L2G	D	7038 E2G	—	—	1	—	—	—	
	L2T	D	7038 E2T	—	—	1	—	—	—	
	L2X	D	7038 E2X	—	—	1	—	—	—	
	H4D	D	8768 E4D	—	—	—	1	—	—	

NOTE: A letter code in the carline column indicates the carline for which the part is released as follows:

CARLINES Indicate: B - Barracuda V - Valiant R - Belvedere P - Plymouth C - Chrysler
 L - Dart W - Coronet D - Dodge Y - Imperial

AR Indicates use as required.
 ★ Indicates change or addition.

Right and left part numbers are on same line,
 first number is right, second number is left.

Printed in U.S.A.
 January 1971

CODE	PART NAME	CAR LINE	PART NUMBER	Sed.	4 D.H.T.	Sta. Wgn.	2 D.H.T.	Sp. 2 D.H.T.	Conv.
23-109-4	COVER, Rear Seat Back Cont'd.								
	H4G, H6G	D	8768 E4G	—	—	—	1	—	—
	H6W	D	8768 E4W	—	—	—	1	—	—
	H4T	D	8768 E4T	—	—	—	1	—	—
	H4X, H6X	D	8768 E4X	—	—	—	1	—	—
	H4Y, H6Y	D	8768 E4Y	—	—	—	1	—	—
	POWER SEAT								
	H4D	D	5427 E4D	—	1	1	1	—	—
	H4G	D	5427 E4G	—	1	1	1	—	—
	H4H	D	5427 E4H	—	—	1	—	—	—
	H4T	D	5427 E4T	—	1	1	1	—	—
	H4X	D	5427 E4X	—	1	1	1	—	—
	H4Y	D	5427 E4Y	—	1	1	1	—	—
	H1B, H7B	D	7223 E1B	1	1	—	—	—	—
	H1G, H7G	D	7223 E1G	1	1	—	—	—	—
	H1L	D	7223 E1L	—	1	—	—	—	—
	H1X, H7X	D	7223 E1X	1	1	—	—	—	—
	H1Y	D	7223 E1Y	1	1	—	—	—	—
	L1B	D	8045 E1B	—	—	—	1	—	—
	L1G	D	8045 E1G	—	—	—	1	—	—
	L1X	D	8045 E1X	—	—	—	1	—	—
	L1Y	D	8045 E1Y	—	—	—	1	—	—
	L2B, M6B	D	7699 E2B	—	—	—	1	—	—
	L2G, M6G	D	7699 E2G	—	—	—	1	—	—
	L2T, M6T	D	7699 E2T	—	—	—	1	—	—
	L2W, M6W	D	7699 E2W	—	—	—	1	—	—
	L2X, M6X	D	7699 E2X	—	—	—	1	—	—
	L2B, M6B	D	7641 E2B	—	—	—	—	—	1
	L2G, M6G	D	7641 E2G	—	—	—	—	—	1
	L2W, M6W	D	7641 E2W	—	—	—	—	—	1
	L2X, M6X	D	7641 E2X	—	—	—	—	—	1
	H4D	D	8770 E4D	—	1	—	—	—	—
	H4G, H6G	D	8770 E4G	—	1	—	—	—	—
	H4T	D	8770 E4T	—	1	—	—	—	—
	H4X, H6X	D	8770 E4X	—	1	—	—	—	—
	H4Y, H6Y	D	8770 E4Y	—	1	—	—	—	—
	H6W	D	8770 E4W	—	1	—	—	—	—
	2ND SEAT								
	H4D	D	8772 E4D	—	—	1	—	—	—
	H4G	D	8772 E4G	—	—	1	—	—	—
	H4H	D	8772 E4H	—	—	1	—	—	—
	H4T	D	8772 E4T	—	—	1	—	—	—
	H4X	D	8772 E4X	—	—	1	—	—	—
	3RD SEAT								
	H4D	D	8774 E4D	—	—	1	—	—	—
	H4G	D	8774 E4G	—	—	1	—	—	—
	H4H	D	8774 E4H	—	—	1	—	—	—
	H4T	D	8774 E4T	—	—	1	—	—	—
	H4X	D	8774 E4X	—	—	1	—	—	—
	L1B	Canada	P	C7834 E1B	—	—	1	—	—
	L1G	Canada	P	C7834 E1G	—	—	1	—	—
	L1L	Canada	P	C7834 E1L	—	—	1	—	—
	L2B	Canada	P	C7843 E2B	—	—	1	—	—
	L2R	Canada	P	C7843 E2R	—	—	1	—	—
	L2T	Canada	P	C7843 E2T	—	—	1	—	—
	L2X	Canada	P	C7843 E2X	—	—	1	—	—
	L1B	Canada	D	C7827 E1B	1	—	—	—	—
	L1L	Canada	D	C7827 E1L	1	—	—	—	—

NOTE: A letter code in the carline column indicates the carline for which the part is released as follows:

CARLINES Indicate:	B - Barracuda	V - Valiant	R - Belvedere	P - Plymouth	C - Chrysler
		L - Dart	W - Coronet	D - Dodge	Y - Imperial

AR Indicates use as required.
 ★ Indicates change or addition.

Right and left part numbers are on same line,
 first number is right, second number is left.

Printed in U.S.A.
 January 1971

1969 PASSENGER CAR PARTS CATALOG

INTERIOR TRIM

CODE	PART NAME	CAR LINE	PART NUMBER	Sed.	4 D.H.T.	Stra. Wgn.	2 D.H.T.	Sp. 2 D.H.T.	Conv.
23-109-4	COVER, Rear Seat Back Cont'd.								
	K2A.....	D	7412 E2A	1	—	—	—	—	—
	2nd back								
	3rd back								
	L2B.....	D	C7829 E2B	—	—	1	—	—	—
	L2L.....	D	C7829 E2R	—	—	1	—	—	—
	L2R.....	D	C7829 E2R	—	—	1	—	—	—
	M1B.....	D	C7838 E1B	1	—	—	—	—	—
	M1G.....	D	C7838 E1G	1	—	—	—	—	—
	M1L.....	D	C7838 E1L	1	—	—	—	—	—
	M2B, X2B	D	C7847 E2B	1	—	—	—	—	—
	M2R, X2R	D	C7847 E2R	1	—	—	—	—	—
	M2T, X2T	D	C7847 E2T	1	—	—	—	—	—
	M2X.....	D	C7847 E2X	1	—	—	—	—	—
	2ND BACK								
	M2B.....	D	7761 E2B	—	—	1	—	—	—
	M2R.....	D	7761 E2R	—	—	1	—	—	—
	M2T.....	D	7761 E2T	—	—	1	—	—	—
	M2W.....	D	7761 E2W	—	—	1	—	—	—
	M2X.....	D	7761 E2X	—	—	1	—	—	—
	3RD. SEAT								
	M2B.....	D	7764 E2B	—	—	1	—	—	—
	M2R.....	D	7764 E2R	—	—	1	—	—	—
	M2T.....	D	7764 E2T	—	—	1	—	—	—
	M2W.....	D	7764 E2W	—	—	1	—	—	—
	M2X.....	D	7764 E2X	—	—	1	—	—	—
	M1B.....	D	C7836 E1B	—	—	—	1	—	—
	M1G.....	D	C7836 E1G	—	—	—	1	—	—
	M1L.....	D	C7836 E1L	—	—	—	1	—	—
	M2B.....	D	C7845 E2B	—	—	—	1	—	—
	M2R.....	D	C7845 E2R	—	—	—	1	—	—
	M2T.....	D	C7845 E2T	—	—	—	1	—	—
	M2X.....	D	C7845 E2X	—	—	—	1	—	—
	H1D.....	D	C7852 E1D	1	1	—	—	—	—
	H1G.....	D	C7852 E1G	1	1	—	—	—	—
	H1L.....	D	C7852 E1L	1	—	—	—	—	—
	H1R.....	D	C7852 E1R	1	—	—	—	—	—
	H1X.....	D	C7852 E1X	1	1	—	—	—	—
	H1D.....	D	C7849 E1D	—	—	—	1	—	—
	H1G.....	D	C7849 E1G	—	—	—	1	—	—
	H1X.....	D	C7849 E1X	—	—	—	1	—	—
	H4D.....	D	C7857 E4D	1	1	—	—	—	—
	H4G.....	D	C7857 E4G	1	1	—	—	—	—
	H4R.....	D	C7857 E4R	—	1	—	—	—	—
	H4S.....	D	C7857 E4S	1	1	—	—	—	—
	H4T.....	D	C7857 E4T	1	1	—	—	—	—
	H4X, H8X	D	C7857 E4X	1	1	—	—	—	—
	2ND SEAT								
	H4D.....	D	C7872 E4D	—	—	1	—	—	—
	H4G.....	D	C7872 E4G	—	—	1	—	—	—
	H4R.....	D	C7872 E4R	—	—	1	—	—	—
	H4S.....	D	C7872 E4S	—	—	1	—	—	—
	H4T.....	D	C7872 E4T	—	—	1	—	—	—
	H4X, H8X	D	C7872 E4X	—	—	1	—	—	—
	3RD. SEAT								
	H4D.....	D	C7876 E4D	—	—	1	—	—	—
	H4G.....	D	C7876 E4G	—	—	1	—	—	—
	H4R.....	D	C7876 E4R	—	—	1	—	—	—

NOTE: A letter code in the carline column indicates the carline for which the part is released as follows:

CARLINES Indicate: B - Barracuda V - Valiant R - Belvedere P - Plymouth C - Chrysler
 L - Dart W - Coronet D - Dodge Y - Imperial

AR Indicates use as required.
 ★ Indicates change or addition.

Right and left part numbers are on same line,
 first number is right, second number is left.

Printed in U.S.A.
 January 1971

CODE	PART NAME	CAR LINE	PART NUMBER	Sed.	4 D.H.T.	Sta. Wgn.	2 D.H.T.	Sp. 2 D.H.T.	Conv.
23-109-4	COVER, Rear Seat Back Cont'd.								
H4S	Canada	D	C7876 E4S	—	—	1	—	—	—
H4T	Canada	D	C7876 E4T	—	—	1	—	—	—
H4X, H8X	Canada	D	C7876 E4X	—	—	1	—	—	—
S7B		D	7223 E1B	1	1	—	—	—	—
S7G		D	7223 E1G	1	1	—	—	—	—
S7X		D	7223 E1X	1	1	—	—	—	—
H4D	Canada	D	C7854 E4D	—	—	—	1	—	—
H4G	Canada	D	C7854 E4G	—	—	—	1	—	—
H4R	Canada	D	C7854 E4R	—	—	—	1	—	—
H4S	Canada	D	C7854 E4S	—	—	—	1	—	—
H4T	Canada	D	C7854 E4T	—	—	—	1	—	—
H4W	Canada	D	C7854 E4W	—	—	—	1	—	—
H4X	Canada	D	C7854 E4X	—	—	—	1	—	—
H4D	Canada	D	C7803 E4D	—	—	—	—	—	1
H4R	Canada	D	C7803 E4R	—	—	—	—	—	1
H4W	Canada	D	C7803 E4W	—	—	—	—	—	1
H4X	Canada	D	C7803 E4X	—	—	—	—	—	1
P6D	Canada	D	C7859 E6D	—	—	—	1	—	—
P6G	Canada	D	C7859 E6G	—	—	—	—	—	1
P6R	Canada	D	C7859 E6R	—	—	—	1	—	—
P6T	Canada	D	C7859 E6T	—	—	—	1	—	—
P6S	Canada	D	C7859 E6S	—	—	—	1	—	—
P6W	Canada	D	C7859 E6W	—	—	—	1	—	—
P6X	Canada	D	C7859 E6X	—	—	—	1	—	—
P6D		D	6775 E6D	—	—	—	—	—	1
P6R		D	6775 E6R	—	—	—	—	—	1
P6W		D	6775 E6W	—	—	—	—	—	1
P6X		D	6775 E6X	—	—	—	—	—	1
E1D		C	6835 E1D	1	1	—	—	—	—
E1G		C	6835 E1G	1	1	—	—	—	—
E1L		C	6835 E1L	1	1	—	—	—	—
E1Q		C	6835 E1Q	1	1	—	—	—	—
E1X		C	6835 E1X	1	1	—	—	—	—
E2D		C	6850 E2D	1	1	—	—	—	—
E2T		C	6850 E2T	—	1	—	—	—	—
E2X		C	6850 E2X	1	1	—	—	—	—
E2Y		C	6850 E2Y	1	1	—	—	—	—
E2D		C	6849 E2D	—	—	—	—	—	1
E2X		C	6849 E2X	—	—	—	—	—	1
E2Y		C	6849 E2Y	—	—	—	—	—	1
2ND SEAT									
E4D	Up To Build Date 8-1-69	C	6837 E4D	—	—	1	—	—	—
E4E	Up To Build Date 8-1-69	C	6837 E4E	—	—	1	—	—	—
E4G, E8G	Up To Build Date 8-1-69	C	6837 E4G	—	—	1	—	—	—
E4T	Up To Build Date 8-1-69	C	6837 E4T	—	—	1	—	—	—
E4X, E8X	Up To Build Date 8-1-69	C	6837 E4X	—	—	1	—	—	—
E4D	After Build Date 8-1-69	C	6837 E4B	—	—	1	—	—	—
E4E	After Build Date 8-1-69	C	6837 E4H	—	—	1	—	—	—
E4G, E8G	After Build Date 8-1-69	C	6837 E4F	—	—	1	—	—	—
E4T	After Build Date 8-1-69	C	6837 E4N	—	—	1	—	—	—
E4X, E8X	After Build Date 8-1-69	C	6837 E4C	—	—	1	—	—	—
E7L	Up To Build Date 6-1-69	C	7059 E7L	—	—	1	—	—	—
E7L	After Build Date 6-1-69	C	7059 E7P	—	—	1	—	—	—
3RD SEAT									
E4D	Up To Build Date 8-1-69	C	7084 E4D	—	—	1	—	—	—
E4E	Up To Build Date 8-1-69	C	7084 E4E	—	—	1	—	—	—
E4G, E8G	Up To Build Date 8-1-69	C	7084 E4G	—	—	1	—	—	—

NOTE: A letter code in the carline column indicates the carline for which the part is released as follows:

CARLINES Indicate:	B - Barracuda	V - Valiant L - Dart	R - Belvedere W - Coronet	P - Plymouth D - Dodge	C - Chrysler Y - Imperial
--------------------	---------------	-------------------------	------------------------------	---------------------------	------------------------------

AR Indicates use as required.
★ Indicates change or addition.

Right and left part numbers are on same line,
first number is right, second number is left.

Printed in U.S.A.
January 1971

1969 PASSENGER CAR PARTS CATALOG

INTERIOR TRIM

CODE	PART NAME	CAR LINE	PART NUMBER	Sed.	4 D.H.T.	Sta. Wgn.	2 D.H.T.	Sp. 2 D.H.T.	Conv.
23-109-4	COVER, Rear Seat Back Cont'd.								
	E4T, E8T Up To Build Date 8-1-69	C	7084 E4T	—	—	1	—	—	—
	E4X, E8X Up To Build Date 8-1-69	C	7084 E4X	—	—	1	—	—	—
	E4D After Build Date 8-1-69	C	7084 E4B	—	—	1	—	—	—
	E4E After Build Date 8-1-69	C	7084 E4H	—	—	1	—	—	—
	E4G, E8G After Build Date 8-1-69	C	7084 E4F	—	—	1	—	—	—
	E4T After Build Date 8-1-69	C	7084 E4N	—	—	1	—	—	—
	E4X, E8X After Build Date 8-1-69	C	7084 E4C	—	—	1	—	—	—
	E7L Up To Build Date 6-1-69	C	7063 E7L	—	—	1	—	—	—
	E7L After Build Date 6-1-69	C	7063 E7P	—	—	1	—	—	—
	E1D	C	6854 E1D	—	—	—	1	—	—
	E1G	C	6854 E1G	—	—	—	1	—	—
	E1L	C	6854 E1L	—	—	—	1	—	—
	E1Q	C	6854 E1Q	—	—	—	1	—	—
	E1X	C	6854 E1X	—	—	—	1	—	—
	M4D	C	6855 E4D	—	—	—	1	—	—
	M4E	C	6855 E4E	—	—	—	1	—	—
	M4X	C	6855 E4X	—	—	—	1	—	—
	E2D	C	6845 E2D	—	—	—	1	—	—
	E2T	C	6845 E2T	—	—	—	1	—	—
	E2X	C	6845 E2X	—	—	—	1	—	—
	E2Y	C	6845 E2Y	—	—	—	1	—	—
	L3D	C	6839 E3D	1	1	—	—	—	—
	L3G Up To Build Date 6-1-69	C	6839 E3G	1	1	—	—	—	—
	L3G After Build Date 6-1-69	C	6839 E3F	1	1	—	—	—	—
	L3Q	C	6839 E3Q	1	1	—	—	—	—
	L3X	C	6839 E3X	1	1	—	—	—	—
	L3Y	C	6839 E3Y	1	1	—	—	—	—
	L3D	C	6843 E3D	—	—	—	1	—	—
	L3G Up To Build Date 6-1-69	C	6843 E3G	—	—	—	1	—	—
	L3G After Build Date 6-1-69	C	6843 E3F	—	—	—	1	—	—
	L3Q	C	6843 E3Q	—	—	—	1	—	—
	L3X	C	6843 E3X	—	—	—	1	—	—
	L3Y	C	6843 E3Y	—	—	—	1	—	—
	M3G Up To Build Date 6-1-69	C	6864 E3G	—	—	—	1	—	—
	M3X Up To Build Date 6-1-69	C	6864 E3X	—	—	—	1	—	—
	M3Y Up To Build Date 6-1-69	C	6864 E3Y	—	—	—	1	—	—
	M3G After Build Date 6-1-69	C	6864 E3F	—	—	—	1	—	—
	M3X After Build Date 6-1-69	C	6864 E3C	—	—	—	1	—	—
	M3Y After Build Date 6-1-69	C	6864 E3O	—	—	—	1	—	—
	L7E Up To Build Date 6-1-69	C	6857 E3E	1	1	—	—	—	—
	L7L Up To Build Date 6-1-69	C	6857 E3L	1	1	—	—	—	—
	M3G Up To Build Date 6-1-69	C	6857 E3G	—	1	—	—	—	—
	Up To Build Date 6-1-69	C	6857 E3X	—	1	—	—	—	—
	M3Y Up To Build Date 6-1-69	C	6857 E3Y	—	1	—	—	—	—
	L7E After Build Date 6-1-69	C	6857 E3H	1	1	—	—	—	—
	L7L After Build Date 6-1-69	C	6857 E3P	1	1	—	—	—	—
	M3G After Build Date 6-1-69	C	6857 E3F	—	1	—	—	—	—
	M3X After Build Date 6-1-69	C	6857 E3C	—	1	—	—	—	—
	M3Y After Build Date 6-1-69	C	6857 E3O	—	1	—	—	—	—
	M4D Up To Build Date 8-1-69	C	6836 E4D	—	1	—	—	—	—
	M4E Up To Build Date 8-1-69	C	6836 E4E	—	1	—	—	—	—
	L8X, M4X Up To Build Date 8-1-69	C	6836 E4X	1	1	—	—	—	—
	L4D, M4D After Build Date 8-1-69	C	6836 E4B	1	1	—	—	—	—
	L4E, M4E After Build Date 8-1-69	C	6836 E4H	1	1	—	—	—	—
	L4X, L8X, M4X After Build Date 8-1-69	C	6836 E4C	1	1	—	—	—	—
	L4D, M4D Up To Build Date 8-1-69	C	6855 E4D	—	—	—	1	—	—
	L4E, M4E Up To Build Date 8-1-69	C	6855 E4E	—	—	—	1	—	—

NOTE: A letter code in the carline column indicates the carline for which the part is released as follows:

CARLINES Indicate:	B - Barracuda	V - Valiant L - Dart	R - Belvedere W - Coronet	P - Plymouth D - Dodge	C - Chrysler Y - Imperial
--------------------	---------------	-------------------------	------------------------------	---------------------------	------------------------------

AR Indicates use as required.
★ Indicates change or addition.

Right and left part numbers are on same line,
first number is right, second number is left.

Printed in U.S.A.
January 1971

CODE	PART NAME	CARLINE	PART NUMBER	Sed.	4 D.H.T.	Sta. Wgn.	2 D.H.T.	Sp. 2 D.H.T.	Conv.
23-109-4	COVER, Rear Seat Back Cont'd.								
	L4X, M4X Up To Build Date 8-1-69	C	6855 E4X	—	—	—	1	—	—
	L4D, M4D After Build Date 8-1-69	C	6855 E4B	—	—	—	1	—	—
	L4E, M4E After Build Date 8-1-69	C	6855 E4H	—	—	—	1	—	—
	L4X, M4X After Build Date 8-1-69	C	6855 E4C	—	—	—	1	—	—
	HST	C	6851 EST	1	1	—	—	—	—
	HSX	C	6851 ESX	1	1	—	—	—	—
	M5L	C	6862 E5L	—	1	—	—	—	—
	M6D	C	6856 E6D	—	—	—	1	—	—
	L6G, M6G	C	6856 E6G	—	—	—	1	—	—
	E6T, L6T, M6T	C	6856 E6T	—	—	—	1	—	—
	E6W, L6W, M6W	C	6856 E6W	—	—	—	1	—	—
	E6X, L6X, M6X	C	6856 E6X	—	—	—	1	—	—
	M5L	C	6861 E5L	—	—	—	1	—	—
	M6D	C	6840 E6D	—	1	—	—	—	—
	M6G	C	6840 E6G	—	1	—	—	—	—
	M6T	C	6840 E6T	—	1	—	—	—	—
	M6W	C	6840 E6W	—	1	—	—	—	—
	M6X	C	6840 E6X	—	1	—	—	—	—
	M6D	C	6841 E6D	—	—	—	—	—	1
	M6G	C	6841 E6G	—	—	—	—	—	1
	E6T, M6T	C	6841 E6T	—	—	—	—	—	1
	E6W, M6W	C	6841 E6W	—	—	—	—	—	1
	E6X, M6X	C	6841 E6X	—	—	—	—	—	1
	H1D, H7D	C	7235 E1D	1	1	—	—	—	—
	H7E	C	7235 E1E	1	1	—	—	—	—
	H1G	C	7235 E1G	1	1	—	—	—	—
	H7L	C	7235 E1L	1	1	—	—	—	—
	H1Q	C	7235 E1Q	1	1	—	—	—	—
	H1X	C	7235 E1X	1	1	—	—	—	—
	H1Y	C	7235 E1Y	1	1	—	—	—	—
	H3D	C	6842 E3D	—	—	—	1	—	—
	H3G	C	6842 E3G	—	—	—	1	—	—
	H3Q	C	6842 E3Q	—	—	—	1	—	—
	H3X	C	6842 E3X	—	—	—	1	—	—
	H3Y	C	6842 E3Y	—	—	—	1	—	—
	H6D	C	6858 E6D	—	—	—	1	—	—
	H6T	C	6858 E6T	—	—	—	1	—	—
	H6W	C	6858 E6W	—	—	—	1	—	—
	H6X	C	6858 E6X	—	—	—	1	—	—
	H8L	C	6847 E8L	—	1	—	—	—	—
	H8X	C	6847 E8X	1	1	—	—	—	—
	M1D	Y	8500 E1D	1	—	—	—	—	—
	M1G	Y	8500 E1G	1	—	—	—	—	—
	M1M	Y	8500 E1M	1	—	—	—	—	—
	M1Q	Y	8500 E1Q	1	—	—	—	—	—
	M1K	Y	8500 E1K	1	—	—	—	—	—
	M1X	Y	8500 E1X	1	—	—	—	—	—
	D1D	Y	4962 E1D	1	1	—	—	—	—
	D1G	Y	4962 E1G	1	1	—	—	—	—
	D1M	Y	4962 E1M	1	1	—	—	—	—
	D1Q	Y	4962 E1Q	1	1	—	—	—	—
	D1K	Y	4962 E1K	1	1	—	—	—	—
	D1X	Y	4962 E1X	1	1	—	—	—	—
	M3D	Y	4972 E3D	—	—	—	1	—	—
	M3G	Y	4972 E3G	—	—	—	1	—	—
	M3M	Y	4972 E3M	—	—	—	1	—	—
	M3Q	Y	4972 E3Q	—	—	—	1	—	—

NOTE: A letter code in the carline column indicates the carline for which the part is released as follows:

CARLINES Indicate:	B - Barracuda	V - Valiant L - Dart	R - Belvedere W - Coronet	P - Plymouth D - Dodge	C - Chrysler Y - Imperial
--------------------	---------------	-------------------------	------------------------------	---------------------------	------------------------------

AR Indicates use as required.
★ Indicates change or addition.

Right and left part numbers are on same line,
first number is right, second number is left.

Printed in U.S.A.
January 1971

1969 PASSENGER CAR PARTS CATALOG

CODE	PART NAME	CAR LINE	PART NUMBER	Sed.	4 D.H.T.	Sta. Wgn.	2 D.H.T.	Sp. 2 D.H.T.	Conv.
23-109-4	COVER, Rear Seat Back Cont'd.								
	M3K	Y	4972 E3K	—	—	—	1	—	—
	M3X	Y	4972 E3X	—	—	—	1	—	—
	MDD	Y	6866 EDD	—	1	—	—	—	—
	MDG	Y	6866 EDG	—	1	—	—	—	—
	MDM	Y	6866 EDM	—	1	—	—	—	—
	MDQ	Y	6866 EDQ	—	1	—	—	—	—
	MDK	Y	6866 EDK	—	1	—	—	—	—
	MDX	Y	6866 EOX	—	1	—	—	—	—
	MSB	Y	6870 ESB	—	1	—	—	—	—
	MSD	Y	6870 ESD	—	1	—	—	—	—
	MSN	Y	6870 ESN	—	1	—	—	—	—
	MSG	Y	6870 ESG	—	1	—	—	—	—
	MST	Y	6870 EST	—	1	—	—	—	—
	MSR	Y	6870 ESR	—	1	—	—	—	—
	MSW	Y	6870 ESW	—	1	—	—	—	—
	MSX	Y	6870 ESX	—	1	—	—	—	—
	MSY	Y	6870 ESY	—	1	—	—	—	—
	MBD	Y	7704-5 EBD	—	—	—	1	—	—
	MBG	Y	7704-5 EBG	—	—	—	1	—	—
	MBM	Y	7704-5 EBM	—	—	—	1	—	—
	MBQ	Y	7704-5 EBQ	—	—	—	1	—	—
	MBK	Y	7704-5 EBK	—	—	—	1	—	—
	MBX	Y	7704-5 EBX	—	—	—	1	—	—
	MRB	Y	6876-7 ERB	—	—	—	1	—	—
	MRG	Y	6876-7 ERG	—	—	—	1	—	—
	MRT	Y	6876-7 ERT	—	—	—	1	—	—
	MRW	Y	6876-7 ERW	—	—	—	1	—	—
	MRX	Y	6876-7 ERX	—	—	—	1	—	—
23-109-5	INSERT, Rear Seat Back Panel								
	Metal Cover	B	2902 870	—	—	—	—	1	—
	Back of Rr. Back CVR.								
	L2B, H4B, H4C, H6B, H6C	B	1835 EXB	—	—	—	—	1	—
	H4F, H6F, H6G	B	1835 EXF	—	—	—	—	1	—
	L2R, H4V, H6R, H6V	B	1835 EXR	—	—	—	—	1	—
	L2X, H4X, H4W, H6X, H6W	B	1835 EX9	—	—	—	—	1	—
	VINOLEUM								
	2ND SEAT BACK CVR. PNL. INSERT								
	CODES								
	L2B, H2B, D2D, P2B, P2C, P2D	R,W	1803 EB9	—	—	1	—	—	—
	H2G, P2F, P2G, D2G	R,W	1803 EF9	—	—	1	—	—	—
	L2T, H2T, D2T, P2T, P6T, P2H	R,W	1803 ET8	—	—	1	—	—	—
	L2X, D2X, H2S, H2X, P2S, P2X, P6X	R,W	1803 EX9	—	—	1	—	—	—
	2ND SEAT BACK PNL. INSERT								
	L2B, H2B, P2B, P2C, D2D, P2D								
	P6D	R,W	1804 EB9	—	—	1	—	—	—
	H2G, D2G, P2F, P2G	R,W	1804 EF9	—	—	1	—	—	—
	L2T, D2T, H2T, P2H, P2T, P6T	R,W	1804 ET8	—	—	1	—	—	—
	L2X, D2X, H2S, H2X, P2S, P2X, P6X	R,W	1804 BX9	—	—	1	—	—	—
	3RD. SEAT BACK PNL. INSERT								
	H2B, D2D, P2B, P2C, P6D	R,W	1805 EB9	—	—	1	—	—	—
	H2G, D2G, P2F, P2G	R,W	1805 EF9	—	—	1	—	—	—
	H2T, D2T, P2H, P2T, P6T	R,W	1805 ET8	—	—	1	—	—	—
	H2S, H2X, D2X, P2S, P2X, P6X	R,W	1805 BX9	—	—	1	—	—	—
	3RD. SEAT BACK SUPT. PNL.								
	H2B, D2D, P2B, P2C, P2D, P6D	R,W	1806 EB9	—	—	1	—	—	—
	H2G, D2G, P2F, P2G	R,W	1806 EF9	—	—	1	—	—	—
	H2T, D2T, P2T, P2H, P6T	R,W	1806 ET8	—	—	1	—	—	—

NOTE: A letter code in the carline column indicates the carline for which the part is released as follows:

CARLINES Indicate:	V - Valiant	R - Belvedere	P - Plymouth	C - Chrysler
B - Barracuda	L - Dart	W - Coronet	D - Dodge	Y - Imperial

AR Indicates use as required.
 ★ Indicates change or addition.

Right and left part numbers are on same line,
 first number is right, second number is left.

Printed in U.S.A.
 January 1971

CODE	PART NAME	CAR LINE	PART NUMBER	Sed.	4 D.H.T.	Stra. Wgn.	2 D.H.T.	Sp. 2 D.H.T.	Conv.
23-109-5	INSERT, Rear Seat Back Panel Cont'd.								
	H2S, H2X, D2X, P2S, P2X, P6X	R,W	1806 BX9	—	—	1	—	—	—
	CARPET and MLDG., 2ND SEAT BACK								
	L2B, H4D, E4D	D,C	1808 EB9	—	—	1	—	—	—
	L2G, H4G, E4G, E8G	D,C	1808 EF9	—	—	1	—	—	—
	L2T, H4T, H4H, H8T, E4T	D,C	1808 ET8	—	—	1	—	—	—
	L2X, H4X, H8X, E4X, E8X	D,C	1808 EX8	—	—	1	—	—	—
	E4E	C	1808 EE9	—	—	1	—	—	—
	E7L	C	1808 EY8	—	—	1	—	—	—
	L2B, H4D, E4D	D,C	1807 EB9	—	—	1	—	—	—
	L2G, H4G, E4G, E8G	D,C	1807 EF9	—	—	1	—	—	—
	L2T, H4T, H4H, E4T	D,C	1807 ET8	—	—	1	—	—	—
	L2X, H4X, H8X, E4X, E8X	D,C	1807 DX8	—	—	1	—	—	—
	E4E	C	1807 EE9	—	—	1	—	—	—
	E7L	C	1807 EY8	—	—	—	1	—	—
	3RD SEAT BACK								
	L2B, H4D, E4D	D,C	1811 EB9	—	—	1	—	—	—
	L2G, H4G, E4G, E8G	D,C	1811 EF9	—	—	1	—	—	—
	L2T, H4T, H4H, H8T, E4T	D,C	1811 ET8	—	—	1	—	—	—
	L2X, H4X, H8X, E4X, E8X	D,C	1811 DX8	—	—	1	—	—	—
	E4E	C	1811 EE9	—	—	1	—	—	—
	E7L	C	1811 EY8	—	—	1	—	—	—
	6 PASS.								
	E4D	C	1818 EB9	—	—	1	—	—	—
	E4E	C	1818 EE9	—	—	1	—	—	—
	E4G, E8G	C	1818 EF9	—	—	1	—	—	—
	E7L	C	1818 EY8	—	—	1	—	—	—
	E4T	C	1818 ET8	—	—	1	—	—	—
	E4X, E8X	C	1818 EX8	—	—	1	—	—	—
	3RD SEAT BACK SUPPORT								
	L2B, H4D, E4D	D,C	1812 EB9	—	—	1	—	—	—
	L2G, H4G, E4G, E8G	D,C	1812 EF9	—	—	1	—	—	—
	L2T, H4T, H4H, H8T, E4T	D,C	1812 ET8	—	—	1	—	—	—
	L2X, H4X, H8X, E4X, E8X	D,C	1812 DX8	—	—	1	—	—	—
	E4E	C	1812 EE9	—	—	1	—	—	—
	E7L	C	1812 EY8	—	—	1	—	—	—
	2ND SEAT BACK SUPPORT CARPET INSERT								
	L2B, H4D, E4D	D,C	1826 EB9	—	—	1	—	—	—
	L2G, H4G, E4G, E8G	D,C	1826 EF9	—	—	1	—	—	—
	L2T, H4T, H4H, H8T, E4T	D,C	1826 ET8	—	—	1	—	—	—
	L2X, H4X, H8X, E4X, E8X	D,C	1826 DX8	—	—	1	—	—	—
	E4E	C	1826 EE9	—	—	1	—	—	—
	E7L	C	1826 EY8	—	—	1	—	—	—
	Screw, Back Support Pnl.	C,D	6026 992	—	—	10	—	—	—
	Wgn. CARGO COMPT. Dress-Up, 2ND SEAT								
	BACK PANEL CARPET INSERT								
	M2B, E2B, L2B, M4D, H4D	P,D	1844 EB9	—	—	1	—	—	—
	L2G, M4G, H4G	P,D	1844 EF9	—	—	1	—	—	—
	L2T, M2T, M4T, H4T, H4H, H8T	P,D	1844 ET8	—	—	1	—	—	—
	L2L, M2W, M2X, E2L, L2W, L2X, M4S, M4X, H4X, H8X, H4S	P,D	1844 EX8	—	—	1	—	—	—
	E2R, L2R, M4R, M2R, H4R	P,D	1844 ER6	—	—	1	—	—	—
	2ND SEAT SUPPORT PNL. CARPET INSERT								
	E2B, L2B, M2B, M4D, H4D	P,D	1843 EB9	—	—	1	—	—	—
	M4G, L2G, H4G	P,D	1843 EF9	—	—	1	—	—	—
	L2T, M2T, M4T, H4T, H4H, H8T	P,D	1843 ET8	—	—	1	—	—	—

NOTE: A letter code in the carline column indicates the carline for which the part is released as follows:

CARLINES Indicate:	B - Barracuda	V - Valiant L - Dart	R - Belvedere W - Coronet	P - Plymouth D - Dodge	C - Chrysler Y - Imperial
--------------------	---------------	-------------------------	------------------------------	---------------------------	------------------------------

AR Indicates use as required.
★ Indicates change or addition.

Right and left part numbers are on same line,
first number is right, second number is left.

Printed in U.S.A.
January 1971

CODE	PART NAME	CAR LINE	PART NUMBER	Sed.	4 D.H.T.	Sta. Wgn.	2 D.H.T.	Sp. 2 D.H.T.	Conv.
23-109-5	INSERT, Rear Seat Back Panel Cont'd.								
	L2L, M2W, M2X, E2L, L2W, L2X, M4S, M4X, M8X, H4X, H8X, H4S	P,D	1843 EX8	—	—	1	—	—	—
	E2R, L2R, M4R, M2R, H4R	P,D	1843 ER6	—	—	1	—	—	—
	2ND SEAT BACK SUPPORT PANEL CARPET INSERT								
	E2B, L2B, M2B, M4D, H4D	P,D	1839 EB9	—	—	1	—	—	—
	M4G, L2G, H4G	P,D	1839 EF9	—	—	1	—	—	—
	L2T, M2T, M4T, H4T, H4H, H8T	P,D	1839 ET8	—	—	1	—	—	—
	L2L, M2W, M2X, E2L, L2W, L2X, M4S, M4X, M8X, H4X, H8X, H4S	P,D	1839 EX8	—	—	1	—	—	—
	E2R, L2R, M4R, M2R, H4R	P,D	1839 ER6	—	—	1	—	—	—
	3RD SEAT BACK PNL. CARPET INSERT								
	E2B, L2B, M2B, M4D, H4D	P,D	1841 EB9	—	—	1	—	—	—
	L2G, M4G, H4G	P,D	1841 EF9	—	—	1	—	—	—
	L2T, M2T, M4T, H4T, H4H, H8T	P,D	1841 ET8	—	—	1	—	—	—
	L2L, M2W, M2X, E2L, L2W, L2X, M4S, M4X, M8X, H4X, H8X, H4S	P,D	1841 EX8	—	—	1	—	—	—
	E2R, L2R, M4R, M2R, H4R	P,D	1841 ER6	—	—	1	—	—	—
	3RD SEAT BACK SUPPORT PNL. CARPET INSERT								
	E2B, L2B, M2B, M4D, H4D	P,D	1842 EB9	—	—	1	—	—	—
	L2G, M4G, H4G	P,D	1842 EF9	—	—	1	—	—	—
	L2T, M2T, M4T, H4T, H4H, H8T	P,D	1842 ET8	—	—	1	—	—	—
	L2L, M2W, M2X, E2L, L2W, L2X, M4S, M4X, M8X, H4X, H8X, H4S	P,D	1842 EX8	—	—	1	—	—	—
	E2R, L2R, M4R, M2R, H4R	P,D	1842 ER6	—	—	1	—	—	—
	VINOLEUM								
	2ND SEAT BACK								
	E2B, M4D, L2B, M2B, H4D	P,D	1816 EB9	—	—	1	—	—	—
	L2G, M4G, H4G	P,D	1816 EF9	—	—	1	—	—	—
	E2R, M4R, L2R, M2R, H4R	P,D	1816 ER6	—	—	1	—	—	—
	L2T, M4T, M2T, H4T	P,D	1816 ET8	—	—	1	—	—	—
	E2L, L2W, L2X, L2L, M2W, M2X, H4S, H4X, H8X, M4S, M4X	P,D	1816 EX9	—	—	1	—	—	—
	2ND SEAT SUPPORT PANEL								
	E2B, M4D, L2B, M2B, H4D	P,D	1821 EB9	—	—	1	—	—	—
	L2G, M4G, H4G	P,D	1821 EF9	—	—	1	—	—	—
	E2R, M4R, L2R, M2R, H4R	P,D	1821 ER6	—	—	1	—	—	—
	L2T, M4T, M2T, H4T	P,D	1821 ET8	—	—	1	—	—	—
	E2L, L2W, L2X, L2L, M2W, M2X, H4S, H4X, H8X, M4S, M4X	P,D	1821 EX9	—	—	1	—	—	—
	2ND SEAT BACK SUPPORT								
	E2B, M4D, L2B, M2B, H4D	P,D	1825 EB9	—	—	1	—	—	—
	L2G, M4G, H4G	P,D	1825 EF9	—	—	1	—	—	—
	E2R, M4R, L2R, M2R, H4R	P,D	1825 ER6	—	—	1	—	—	—
	L2T, M4T, M2T, H4T	P,D	1825 ET8	—	—	1	—	—	—
	E2L, L2W, L2X, M4S, L2L, M2W, M2X, H4S, H4X, H8X, M4X	P,D	1825 EX9	—	—	1	—	—	—
	E2B, L2B, H2B, M4D, H4D	P,D	1814 EB9	—	—	1	—	—	—
	L2G, H4G, M4G	P,D	1814 EF9	—	—	1	—	—	—
	E2R, L2R, M2R, M4R, H4R	P,D	1814 ER6	—	—	1	—	—	—
	L2T, M2T, H4T	P,D	1814 ET8	—	—	1	—	—	—
	E2L, L2L, L2W, L2X, M2W, M2X, M4S, M4X, M8X, H4S, H4X, H8X	P,D	1814 EX9	—	—	1	—	—	—
	3RD SEAT BACK PANEL, 9 PASS.								
	L2B, M2B, H4D	D	1814 EB9	—	—	1	—	—	—
	H4G	D	1814 EF9	—	—	1	—	—	—
	L2R, M2R, H4R	D	1814 ER6	—	—	1	—	—	—
	M2T, H4T	D	1814 ET8	—	—	1	—	—	—

NOTE: A letter code in the carline column indicates the carline for which the part is released as follows:

CARLINES Indicate: B - Barracuda V - Valiant R - Belvedere P - Plymouth C - Chrysler
L - Dart V - Coronet D - Dodge Y - Imperial

AR Indicates use as required.
★ Indicates change or addition.

Right and left part numbers are on same line,
first number is right, second number is left.

Printed in U.S.A.
January 1971

CODE	PART NAME	CAR LINE	PART NUMBER	Sed.	4 D.H.T.	Sta. Wgn.	2 D.H.T.	Sp. 2 D.H.T.	Conv.
23-109-5	INSERT, Rear Seat Back Panel Cont'd.								
	L2L, M2W, M2X, H4S, H4X, H8X	D	1814 EX9	—	—	1	—	—	—
	3RD SEAT BACK PANEL SUPPORT								
	E2B, M4D, L2B, M2B, H4D	P,D	1822 EB9	—	—	1	—	—	—
	L2G, M4G, H4G	P,D	1822 EF9	—	—	1	—	—	—
	E2R, M4R, L2R, M2R, H4R	P,D	1822 ER6	—	—	1	—	—	—
	L2T, M4T, M2T, H4T	P,D	1822 ET8	—	—	1	—	—	—
	E2L, L2W, L2X, M4S, L2L, M2W, M2X, H4S, H4X, H8X, M4X	P,D	1822 EX9	—	—	1	—	—	—
	CARPET INSERT								
	3RD. SEAT BACK PANEL, 6 PASS.								
	E2B, L2B, M2D, M4D, H4D	P,D	1817 EB9	—	—	1	—	—	—
	L2G, M4G, H4G	P,D	1817 EF8	—	—	1	—	—	—
	L2T, M2T, M4T, H4T, H4H, H8T	P,D	1817 ET8	—	—	1	—	—	—
	E2L, L2L, L2W, L2X, M2W, M2X, M4S M4X, M8X, H4X, H8X, H4S	P,D	1817 EX8	—	—	1	—	—	—
	E2R, L2R, M2R, M4R	P,D	1817 ER6	—	—	1	—	—	—
	Screw, 2nd and 3rd Seat Back Panel and Support Panel Inserts Att.	R,W	6026 587	—	—	AR	—	—	—
	Screw, 3rd Seat Back Support Panel bumper and Insert Att.	P,D,C	6024 654	—	—	4	—	—	—
23-109-6	CARPET and FOUNDATION, Rear Seat Back Fold Down Back CODES								
	L2B, H4B, H4C, H6B, H6C, D6B	B	2952 EB9	—	—	—	—	1	—
	H4F, H6F, H6G, D6G, D6J	B	2952 EF9	—	—	—	—	1	—
	L2R, H4V, H6R, H6V, D6R	B	2952 ER6	—	—	—	—	1	—
	D6T	B	2952 ET8	—	—	—	—	1	—
	L2X, H4W, H4X, H6W, H6X, D6P, D6S, D6U, D6X	B	2952 CX8	—	—	—	—	1	—
	REAR SEAT BACK								
	H4B, H4C, H6B, H6C	B	1835 EXB	—	—	—	—	1	—
	H4F, H6F, H6G	B	1835 EXF	—	—	—	—	1	—
	H4V, H6R, H6V	B	1835 EXR	—	—	—	—	1	—
	H4X, H4W, H6X, H6W	B	1835 EX9	—	—	—	—	1	—
23-109-7	COVER, Rear Seat Back Upper Frame	Y	4807 EX9	—	—	—	1	—	—
23-109-23	COVER, Wheelhouse Rear Seat Back Hinge Bracket								
	paint as req'd.	B	4470-1 EX9	—	—	—	—	1	—
	2nd Seat	R,W	4430-1 BX9	—	—	1	—	—	—
	LATCH COVER	P,D,C	2031 EX9	—	—	2	—	—	—
23-109-35	CUSHION, Rear Seat For Complete Assembly Order By Description, Vehicle Serial Number And Trim Code; For Cover Only See Part Type Code 23-109-36								
23-109-36	COVER, Rear Seat Cushion CODES								
	L1B	V	6483 E1B	1	—	—	—	—	—
	L1R	V	6483 E1R	1	—	—	—	—	—
	L1X	V	6483 E1X	1	—	—	—	—	—
	4 DOOR								
	L1B	L	6488 E1B	1	—	—	—	—	—
	L1R	L	6488 E1R	1	—	—	—	—	—
	L1X	L	6488 E1X	1	—	—	—	—	—
	L2B	V	6400 E2B	1	—	—	—	—	—
	L2T	V	6400 E2T	1	—	—	—	—	—
	L2X	V	6400 E2X	1	—	—	—	—	—
	D1B, H1B	V	6401 E1B	1	—	—	—	—	—

NOTE: A letter code in the carline column indicates the carline for which the part is released as follows:

CARLINES Indicate:	B - Barracuda	V - Valiant L - Dart	R - Belvedere W - Coronet	P - Plymouth D - Dodge	C - Chrysler Y - Imperial
--------------------	---------------	-------------------------	------------------------------	---------------------------	------------------------------

AR indicates use as required.
★ Indicates change or addition.

Right and left part numbers are on same line,
first number is right, second number is left.

Printed in U.S.A.
January 1971

1969 PASSENGER CAR PARTS CATALOG

INTERIOR TRIM

CODE	PART NAME	CAR LINE	PART NUMBER	Sed.	4 D.H.T.	Sra. Wgn.	2 D.H.T.	Sp. 2 D.H.T.	Conv.
23-109-36	COVER, Rear Seat Cushion Cont'd.								
	H1G	V	6401 E1G	1	—	—	—	—	—
	D1X, H1X	V	6401 E1X	1	—	—	—	—	—
	D2B, D4B, H2B, H4B Up To Build Date 8-1-69	V	6405 E2B	1	—	—	—	—	—
	D2R, D4R, H2R, H4R Up To Build Date 8-1-69	V	6405 E2R	1	—	—	—	—	—
	D2X, D4X, H2X, H4X, H6X Up To Build Date 8-1-69 ..	V	6405 E2X	1	—	—	—	—	—
	H2Y, H4Y Up To Build Date 8-1-69	V	6405 E2Y	1	—	—	—	—	—
	H6C, H6E, H6F, H6V, H6W Up To Build Date 8-1-69 ..	V	6405 E2W	1	—	—	—	—	—
	D2B, D4B, H2B, H4B, After Build Date 8-1-69	V	6405 E2D	1	—	—	—	—	—
	D2R, D4R, H2R, H4R, After Build Date 8-1-69	V	6405 E2H	1	—	—	—	—	—
	D2X, D4X, H2X, H4X, H6X, After Build Date 8-1-69	V	6405 E2A	1	—	—	—	—	—
	H2Y, H4Y, After Build Date 8-1-69	V	6405 E2O	1	—	—	—	—	—
	H6C, H6E, H6F, H6V, H6W, After Build Date 8-1-69	V	6405 E2K	1	—	—	—	—	—
	L2B, H2B, H4B, H6B	B	8635 E6B	—	—	—	1	—	—
	H6G	B	8635 E6G	—	—	—	1	—	—
	L2R, H2R, H6R	B	8635 E6R	—	—	—	1	—	—
	H4C, H4F, H4V, H4W, H6C, H6F, H6V, H6W	B	8635 E6W	—	—	—	1	—	—
	L2X, H2X, H4X, H6X	B	8635 E6X	—	—	—	1	—	—
	F6J	B	8635 E6J	—	—	—	1	—	—
	F6P	B	8635 E6P	—	—	—	1	—	—
	L2B, H2B, H4B, H6B	B	6215 E6B	—	—	—	—	1	—
	H6G	B	6215 E6G	—	—	—	—	1	—
	L2R, H2R, H6R	B	6215 E6R	—	—	—	—	1	—
	H4C, H4F, H4V, H4W, H6C, H6F, H6V, H6W	B	6215 E6W	—	—	—	—	1	—
	L2X, H2X, H4X, H6X	B	6215 E6X	—	—	—	—	1	—
	H6B	B	6407 E6B	—	—	—	—	—	1
	H6R	B	6407 E6R	—	—	—	—	—	1
	H6C, H6W	B	6407 E6W	—	—	—	—	—	1
	H6X	B	6407 E6X	—	—	—	—	—	1
	D6B	B	6402 E6B	—	—	—	1	—	—
	D6G	B	6402 E6G	—	—	—	1	—	—
	D6X	B	6402 E6X	—	—	—	1	—	—
	D6P	B	6402 E6P	—	—	—	1	—	—
	D6R	B	6402 E6R	—	—	—	1	—	—
	D6T, D6J, D6U	B	6402 E6T	—	—	—	1	—	—
	D6B	B	6406 E6B	—	—	—	—	1	—
	D6G	B	6406 E6G	—	—	—	—	1	—
	D6X	B	6406 E6X	—	—	—	—	1	—
	D6P	B	6406 E6P	—	—	—	—	1	—
	D6R	B	6406 E6R	—	—	—	—	1	—
	D6T	B	6406 E6T	—	—	—	—	1	—
	D6B	B	6403 E6B	—	—	—	—	—	1
	D6G	B	6403 E6G	—	—	—	—	—	1
	D6X	B	6403 E6X	—	—	—	—	—	1
	D6P	B	6403 E6P	—	—	—	—	—	1
	D6R	B	6403 E6R	—	—	—	—	—	1
	D6T	B	6403 E6T	—	—	—	—	—	1
	L2B	L	6412 E2B	1	—	—	—	—	—
	L2T	L	6412 E2T	1	—	—	—	—	—
	L2X	L	6412 E2X	1	—	—	—	—	—
	L2B	L	8004 E2B	—	—	—	1	—	—
	L2X	L	8004 E2X	—	—	—	1	—	—
	H1B	L	6413 E1B	1	—	—	—	—	—
	H1G	L	6413 E1G	1	—	—	—	—	—

NOTE: A letter code in the carline column indicates the carline for which the part is released as follows:

CARLINES Indicate:	B - Barracuda	V - Valiant L - Dart	R - Belvedere W - Coronet	P - Plymouth D - Dodge	C - Chrysler Y - Imperial
--------------------	---------------	-------------------------	------------------------------	---------------------------	------------------------------

AR Indicates use as required.
★ Indicates change or addition.

Right and left part numbers are on same line,
first number is right, second number is left.

Printed in U.S.A.
January 1971

CODE	PART NAME	CAR LINE	PART NUMBER	Sed.	4 D.H.T.	Sta. Wgn.	2 D.H.T.	Sp. 2 D.H.T.	Conv.
23-109-36	COVER, Rear Seat Cushion Cont'd.								
	H1L	L	6413 E1L	1	—	—	—	—	—
	H1X	L	6413 E1X	1	—	—	—	—	—
	H2B	L	8625 E2B	1	—	—	—	—	—
	H2G	L	8625 E2G	1	—	—	—	—	—
	H2T	L	8625 E2T	1	—	—	—	—	—
	H2X	L	8625 E2X	1	—	—	—	—	—
	H2B	L	6416 E2B	—	—	—	1	—	—
	H2G	L	6416 E2G	—	—	—	1	—	—
	H2R	L	6416 E2R	—	—	—	1	—	—
	H2T	L	6416 E2T	—	—	—	1	—	—
	H2X	L	6416 E2X	—	—	—	1	—	—
	H2C, H2W	L	6416 E2W	—	—	—	1	—	—
	H6B	L	8620 E6B	1	—	—	—	—	—
	H6X	L	8620 E6X	1	—	—	—	—	—
	D2B	L	7352 E2B	—	—	—	1	—	—
	D2T	L	7352 E2T	—	—	—	1	—	—
	D2X	L	7352 E2X	—	—	—	1	—	—
	P6B	L	6418 E6B	—	—	—	1	—	—
	P6G	L	6418 E6G	—	—	—	1	—	—
	P6R	L	6418 E6R	—	—	—	1	—	—
	P6W, P6C, P6E, P6F	L	6418 E6W	—	—	—	1	—	—
	P6X	L	6418 E6X	—	—	—	1	—	—
	P6Y	L	6418 E6Y	—	—	—	1	—	—
	P2B, P6B	L	6419 E6B	—	—	—	—	—	1
	P6G	L	6419 E6G	—	—	—	—	—	1
	P2R, P6R	L	6419 E6R	—	—	—	—	—	1
	P2W, P6W, P6C, P6F	L	6419 E6W	—	—	—	—	—	1
	P2X, P6X	L	6419 E6X	—	—	—	—	—	1
	P6Y	L	6419 E6Y	—	—	—	—	—	1
	L1B	R	6422 E1B	1	—	—	—	—	—
	L1T	R	6422 E1T	1	—	—	—	—	—
	6 PASS.								
	L2B	R	6426 E2B	—	—	1	—	—	—
	L2T	R	6426 E2T	—	—	1	—	—	—
	L2B	W	6444 E2B	—	—	1	—	—	—
	L2T	W	6444 E2T	—	—	1	—	—	—
	L2X	R,W	6444 E2X	—	—	1	—	—	—
	D2X, L2X Up To Build Date 6-1-69	R,W	6463 E2X	1	—	—	—	—	—
	D2X, L2X, After Build Date 6-1-69	R,W	6463 E2A	1	—	—	—	—	—
	2 DOOR								
	M2B	R	6447 E2B	1	—	—	—	—	—
	M2T	R	6447 E2T	1	—	—	—	—	—
	M2X	R,W	6447 E2X	1	—	—	—	—	—
	H1B	R	6425 E1B	1	—	—	—	—	—
	H1G	R	6425 E1G	1	—	—	—	—	—
	H1T	R	6425 E1T	1	—	—	—	—	—
	H1X	R	6425 E1X	1	—	—	—	—	—
	H1B	R	6428 E1B	—	—	—	1	—	—
	H1G	R	6428 E1G	—	—	—	1	—	—
	H1X	R	6428 E1X	—	—	—	1	—	—
	F2Q	R	6786 E2Q	—	—	—	1	—	—
	H2B, X2B	R	6433 E2B	1	—	—	—	—	—
	H2T, X2T	R	6433 E2T	1	—	—	—	—	—
	H2X, X2X	R	6433 E2X	1	—	—	—	—	—
	H2C, H2F, H2H	R	6433 E2W	1	—	—	—	—	—

NOTE: A letter code in the carline column indicates the carline for which the part is released as follows:

CARLINES Indicate:	V - Valiant	R - Belvedere	P - Plymouth	C - Chrysler
B - Barracuda	L - Dart	W - Coronet	D - Dodge	Y - Imperial

AR Indicates use as required.
 ★ Indicates change or addition.

Right and left part numbers are on same line,
 first number is right, second number is left.

Printed in U.S.A.
 January 1971

1969 PASSENGER CAR PARTS CATALOG

INTERIOR TRIM

CODE	PART NAME	CAR LINE	PART NUMBER	Sed.	4 D.H.T.	Sta. Wgn.	2 D.H.T.	Sp. 2 D.H.T.	Conv.
23-109-36	COVER, Rear Seat Cushion Cont'd.								
	2ND. SEAT								
	H2B, P2B.	R	6429 E2B	—	—	1	—	—	—
	H2G, P2G.	R	6429 E2G	—	—	1	—	—	—
	H2S, P2S.	R	6429 E2S	—	—	1	—	—	—
	H2T, P2T.	R	6429 E2T	—	—	1	—	—	—
	H2X, P2X.	R	6429 E2X	—	—	1	—	—	—
	P2C, P2F, P2H.	R	6429 E2W	—	—	1	—	—	—
	3RD SEAT								
	H2B, P2B.	R	7054 E2B	—	—	1	—	—	—
	H2G, P2G.	R	7054 E2G	—	—	1	—	—	—
	H2S, P2S.	R	7054 E2S	—	—	1	—	—	—
	H2T, P2T.	R	7054 E2T	—	—	1	—	—	—
	H2X, P2X.	R	7054 E2X	—	—	1	—	—	—
	P2C, P2F, P2H.	R	7054 E2W	—	—	1	—	—	—
	2 DOOR								
	H2B.	R	6430 E2B	1	—	—	1	—	—
	H2G.	R	6430 E2G	1	—	—	1	—	—
	H2S.	R	6430 E2S	1	—	—	1	—	—
	H2T.	R	6430 E2T	1	—	—	1	—	—
	H2X.	R	6430 E2X	1	—	—	1	—	—
	H2C, H2F, H2H, H2W.	R	6430 E2W	1	—	—	1	—	—
	H2B.	R	6431 E2B	—	—	—	—	—	1
	H2T.	R	6431 E2T	—	—	—	—	—	1
	H2X.	R	6431 E2X	—	—	—	—	—	1
	H2C, H2H, H2W.	R	6431 E2W	—	—	—	—	—	1
	4 DOOR								
	P3B.	R	6799 E3B	1	—	—	—	—	—
	P3G.	R	6799 E3G	1	—	—	—	—	—
	P3T.	R	6799 E3T	1	—	—	—	—	—
	P3X.	R	6799 E3X	1	—	—	—	—	—
	P6D.	R	6459 E6D	1	—	—	—	—	—
	P6G.	R	6459 E6G	1	—	—	—	—	—
	P6S.	R	6459 E6S	1	—	—	—	—	—
	P6T.	R	6459 E6T	1	—	—	—	—	—
	P6H, P6C, P6F.	R	6459 E6H	1	—	—	—	—	—
	P6X.	R	6459 E6X	1	—	—	—	—	—
	P6D, M6B.	R	6450 E6D	—	—	—	1	—	—
	P6G, M6G.	R	6450 E6G	—	—	—	1	—	—
	P6R.	R	6450 E6R	—	—	—	1	—	—
	P6S, M6S.	R	6450 E6S	—	—	—	1	—	—
	P6T, M6T.	R	6450 E6T	—	—	—	1	—	—
	P6W, P6C, P6F, P6H, P6V, M6W, M6C, M6F, M6H.	R	6450 E6W	—	—	—	1	—	—
	P6X, M6X.	R	6450 E6X	—	—	—	1	—	—
	P6D, M6B.	R	6435 E6D	—	—	—	—	—	1
	P6T, M6T.	R	6435 E6T	—	—	—	—	—	1
	M6W, M6C, M6H, P6W, P6C, P6H.	R	6435 E6W	—	—	—	—	—	1
	P6X, M6X.	R	6435 E6X	—	—	—	—	—	1
	K2T.	P	7405 E2T	1	—	—	—	—	—
	K1T.	P	7450 E1T	1	—	—	—	—	—
	E1B.	P	6409 E1B	1	—	—	—	—	—
	E1L.	P	6409 E1L	1	—	—	—	—	—
	L1B.	P	6439 E1B	1	—	—	—	—	—
	L1G.	P	6439 E1G	1	—	—	—	—	—
	L1L.	P	6439 E1L	1	—	—	—	—	—
	L2B.	P	7420 E2B	1	—	—	—	—	—
	L2R.	P	7420 E2R	1	—	—	—	—	—

NOTE: A letter code in the carline column indicates the carline for which the part is released as follows:

CARLINES Indicate:	B - Barracuda	V - Valiant L - Dart	R - Belvedere W - Coronet	P - Plymouth D - Dodge	C - Chrysler Y - Imperial
--------------------	---------------	-------------------------	------------------------------	---------------------------	------------------------------

AR Indicates use as required.
★ Indicates change or addition.

Right and left part numbers are on same line,
first number is right, second number is left.

Printed in U.S.A.
January 1971

CODE	PART NAME	CAR LINE	PART NUMBER	Sed.	4 D.H.T.	Stra. Wgn.	2 D.H.T.	Sp. 2 D.H.T.	Conv.
23-109-36	COVER, Rear Seat Cushion Cont'd.								
	L2T	P	7420 E2T	1	—	—	—	—	—
	L2X	P	7420 E2X	1	—	—	—	—	—
	2ND. SEAT								
	L2B	P	6432 E2B	—	—	1	—	—	—
	L2R	P	6432 E2R	—	—	1	—	—	—
	L2T	P	6432 E2T	—	—	1	—	—	—
	L2W	P	6432 E2W	—	—	1	—	—	—
	L2X	P	6432 E2X	—	—	1	—	—	—
	3RD. SEAT								
	L2B	P	7031 E2B	—	—	1	—	—	—
	L2R	P	7031 E2R	—	—	1	—	—	—
	L2T	P	7031 E2T	—	—	1	—	—	—
	L2W	P	7031 E2W	—	—	1	—	—	—
	L2X	P	7031 E2X	—	—	1	—	—	—
	M1D	P	6411 E1D	1	1	—	—	1	—
	M1G	P	6411 E1G	1	1	—	—	1	—
	M1L	P	6411 E1L	1	—	—	—	—	—
	M1R	P	6411 E1R	1	—	—	—	—	—
	M1X	P	6411 E1X	1	1	—	—	1	—
	M1D	P	6499 E1D	—	—	—	1	—	—
	M1G	P	6499 E1G	—	—	—	1	—	—
	M1X	P	6499 E1X	—	—	—	1	—	—
	M4D	P	6410 E4D	1	1	—	—	1	—
	M4G	P	6410 E4G	1	1	—	—	1	—
	M4R	P	6410 E4R	—	1	—	—	—	—
	M4S	P	6410 E4S	1	1	—	—	1	—
	M4T	P	6410 E4T	1	1	—	—	—	—
	M4X, M8X	P	6410 E4X	1	1	—	—	1	—
	6 PASS.								
	E2B Up To Build Date 6-1-69	P	7032 E2B	—	—	1	—	—	—
	E2L Up To Build Date 6-1-69	P	7032 E2L	—	—	1	—	—	—
	E2R Up To Build Date 6-1-69	P	7032 E2R	—	—	1	—	—	—
	E2B After Build Date 6-1-69	P	7032 E2U	—	—	1	—	—	—
	E2L After Build Date 6-1-69	P	7032 E2P	—	—	1	—	—	—
	E2R After Build Date 6-1-69	P	7032 E2H	—	—	1	—	—	—
	2ND. SEAT								
	M4D Up To Build Date 8-1-69	P	7034 E4D	—	—	1	—	—	—
	M4G Up To Build Date 8-1-69	P	7034 E4G	—	—	1	—	—	—
	M4R Up To Build Date 8-1-69	P	7034 E4R	—	—	1	—	—	—
	M4S Up To Build Date 8-1-69	P	7034 E4S	—	—	1	—	—	—
	M4T Up To Build Date 8-1-69	P	7034 E4T	—	—	1	—	—	—
	M4X, M8X Up To Build Date 8-1-69	P	7034 E4X	—	—	1	—	—	—
	M4D After Build Date 8-1-69	P	7034 E4C	—	—	1	—	—	—
	M4G After Build Date 8-1-69	P	7034 E4F	—	—	1	—	—	—
	M4R After Build Date 8-1-69	P	7034 E4H	—	—	1	—	—	—
	M4S After Build Date 8-1-69	P	7034 E4V	—	—	1	—	—	—
	M4T After Build Date 8-1-69	P	7034 E4N	—	—	1	—	—	—
	M4X, M8X After Build Date 8-1-69	P	7034 E4A	—	—	1	—	—	—
	M4D Up To Build Date 8-1-69	P	7027 E4D	—	—	1	—	—	—
	M4G Up To Build Date 8-1-69	P	7027 E4G	—	—	1	—	—	—
	M4R Up To Build Date 8-1-69	P	7027 E4R	—	—	1	—	—	—
	M4S Up To Build Date 8-1-69	P	7027 E4S	—	—	1	—	—	—
	M4T Up To Build Date 8-1-69	P	7027 E4T	—	—	1	—	—	—
	M4X, M8X Up To Build Date 8-1-69	P	7027 E4X	—	—	1	—	—	—
	M4D After Build Date 8-1-69	P	7027 E4C	—	—	1	—	—	—
	M4G After Build Date 8-1-69	P	7027 E4F	—	—	1	—	—	—
	M4R After Build Date 8-1-69	P	7027 E4H	—	—	1	—	—	—

NOTE: A letter code in the carline column indicates the carline for which the part is released as follows:

CARLINES Indicate:	B - Barracuda	V - Valiant L - Dart	R - Belvedere W - Coronet	P - Plymouth D - Dodge	C - Chrysler Y - Imperial
--------------------	---------------	-------------------------	------------------------------	---------------------------	------------------------------

AR Indicates use as required.
★ Indicates change or addition.

Right and left part numbers are on same line,
first number is right, second number is left.

Printed in U.S.A.
January 1971

1969 PASSENGER CAR PARTS CATALOG

INTERIOR TRIM

CODE	PART NAME	CAR LINE	PART NUMBER	Sed.	4 D.H.T.	Sta. Wgn.	2 D.H.T.	Sp. 2 D.H.T.	Conv.
23-109-36	COVER, Rear Seat Cushion Cont'd.								
	M4S After Build Date 8-1-69	P	7027 E4V	—	—	1	—	—	—
	M4T After Build Date 8-1-69	P	7027 E4N	—	—	1	—	—	—
	M4X, M8X After Build Date 8-1-69	P	7027 E4A	—	—	1	—	—	—
	M4D Up To Build Date 8-1-69	P	8755 E4D	—	—	—	1	—	—
	M4G Up To Build Date 8-1-69	P	8755 E4G	—	—	—	1	—	—
	M4R Up To Build Date 8-1-69	P	8755 E4R	—	—	—	1	—	—
	M4S Up To Build Date 8-1-69	P	8755 E4S	—	—	—	1	—	—
	M4T Up To Build Date 8-1-69	P	8755 E4T	—	—	—	1	—	—
	M4W Up To Build Date 8-1-69	P	8755 E4W	—	—	—	1	—	—
	M4X Up To Build Date 8-1-69	P	8755 E4X	—	—	—	1	—	—
	M4D After Build Date 8-1-69	P	8755 E4C	—	—	—	1	—	—
	M4G After Build Date 8-1-69	P	8755 E4F	—	—	—	1	—	—
	M4R After Build Date 8-1-69	P	8755 E4H	—	—	—	1	—	—
	M4S After Build Date 8-1-69	P	8755 E4V	—	—	—	1	—	—
	M4T After Build Date 8-1-69	P	8755 E4N	—	—	—	1	—	—
	M4W After Build Date 8-1-69	P	8755 E4K	—	—	—	1	—	—
	M4X After Build Date 8-1-69	P	8755 E4A	—	—	—	1	—	—
	M4D	P	6424 E4D	—	—	—	—	—	1
	M4R	P	6424 E4R	—	—	—	—	—	1
	M4W	P	6424 E4W	—	—	—	—	—	1
	M4X	P	6424 E4X	—	—	—	—	—	1
	H6D	P	6498 E6D	—	—	—	1	—	—
	H6G	P	6498 E6G	—	—	—	1	—	—
	H6R	P	6498 E6R	—	—	—	1	—	—
	H6S	P	6498 E6S	—	—	—	1	—	—
	H6T	P	6498 E6T	—	—	—	1	—	—
	H6W	P	6498 E6W	—	—	—	1	—	—
	H6X	P	6498 E6X	—	—	—	1	—	—
	H6D	P	6434 E6D	—	—	—	—	—	1
	H6R	P	6434 E6R	—	—	—	—	—	1
	H6W	P	6434 E6W	—	—	—	—	—	1
	H6X	P	6434 E6X	—	—	—	—	—	1
	H6D	P	8066 E6D	—	—	—	—	—	1
	H6G	P	8066 E6G	—	—	—	—	—	1
	H6S	P	8066 E6S	—	—	—	—	—	1
	H6X	P	8066 E6X	—	—	—	—	—	1
	PPX	P	8561 EPX	—	1	—	—	—	1
	PPX	P	8574 EPX	—	—	—	1	—	—
	P3D	P	6415 E3D	—	1	—	—	—	1
	P3G	P	6415 E3G	—	1	—	—	—	1
	P3X	P	6415 E3X	—	1	—	—	—	1
	P3D	P	8759 E3D	—	—	—	1	—	—
	P3G	P	8759 E3G	—	—	—	1	—	—
	P3X	P	8759 E3X	—	—	—	1	—	—
	P4T	P	8744 E4T	—	—	—	—	—	1
	P4W	P	8744 E4W	—	—	—	—	—	1
	P4X	P	8744 E4X	—	—	—	—	—	1
	P4T	P	8720 E4T	—	1	—	—	—	1
	P4W	P	8720 E4W	—	1	—	—	—	1
	P6X, P8X	P	8720 E4X	—	1	—	—	—	1
	2 DOOR								
	K1T	R,W	6436 E1T	1	—	—	—	—	—
	K2T	R,W	6437 E2T	1	—	—	—	—	—
	4 DOOR								
	K1T	R,W	6417 E1T	1	—	—	—	—	—
	K2T, T2T	R,W	6464 E2T	1	—	—	—	—	—
	T2X	R,W	6464 E2X	1	—	—	—	—	—

NOTE: A letter code in the carline column indicates the carline for which the part is released as follows:

CARLINES indicate:	V - Valiant	R - Belvedere	P - Plymouth	C - Chrysler
B - Barracuda	L - Dart	W - Coronet	D - Dodge	Y - Imperial

AR Indicates use as required.

★ Indicates change or addition.

Right and left part numbers are on same line,
first number is right, second number is left.

Printed in U.S.A.
January 1971

CODE	PART NAME	CAR LINE	PART NUMBER	Sed.	4 D.H.T.	Sta. Wgn.	2 D.H.T.	Sp. 2 D.H.T.	Conv.
23-109-36	COVER, Rear Seat Cushion Cont'd.								
	L1B	W	6440 E1B	1	—	—	—	—	—
	L1L	W	6440 E1L	1	—	—	—	—	—
	2 DOOR								
	H1B	W	7272 E1B	1	—	—	—	—	—
	H1G	W	7272 E1G	1	—	—	—	—	—
	H1L	W	7272 E1L	1	—	—	—	—	—
	H1X	W	7272 E1X	1	—	—	—	—	—
	4 DOOR								
	H1B	W	6446 E1B	1	—	—	—	—	—
	H1G	W	6446 E1G	1	—	—	—	—	—
	H1Y	W	6446 E1Y	1	—	—	—	—	—
	H1X	W	6446 E1X	1	—	—	—	—	—
	H2B, X2B	W	6445 E2B	1	—	—	—	—	—
	H2T, X2T	W	6445 E2T	1	—	—	—	—	—
	H2X, X2X	W	6445 E2X	1	—	—	—	—	—
	2 DOOR								
	H2B	W	6449 E2B	1	—	—	1	—	—
	H2G	W	6449 E2G	1	—	—	1	—	—
	H2R	W	6449 E2R	—	—	—	1	—	—
	H2T	W	6449 E2T	1	—	—	1	—	—
	H2W, H2C, H2F	W	6449 E2W	1	—	—	1	—	—
	H2X	W	6449 E2X	1	—	—	1	—	—
	2ND. SEAT, 6 PASS.								
	L2B	W	6444 E2B	—	—	1	—	—	—
	L2T	W	6444 E2T	—	—	1	—	—	—
	L2X, D2X	R,W	6444 E2X	—	—	1	—	—	—
	6 PASS.								
	D2D, P2D, P6D	W	6442 E2D	—	—	1	—	—	—
	D2G, P2G	W	6442 E2G	—	—	1	—	—	—
	D2T, P2T, P6T	W	6442 E2T	—	—	1	—	—	—
	D2X, P2X, P6X	W	6442 E2X	—	—	1	—	—	—
	3RD. SEAT								
	D2D, P2D, P6D	W	7043 E2D	—	—	1	—	—	—
	D2G, P2G	W	7043 E2G	—	—	1	—	—	—
	D2T, P2T, P6T	W	7043 E2T	—	—	1	—	—	—
	D2X, P2X, P6X	W	7043 E2X	—	—	1	—	—	—
	P6D	W	8878 E6D	1	—	—	—	—	—
	P6G	W	8878 E6G	1	—	—	—	—	—
	P6X	W	8878 E6X	1	—	—	—	—	—
	P3D	W	7035 E3D	1	—	—	—	—	—
	P3G	W	7035 E3G	1	—	—	—	—	—
	P3X	W	7035 E3X	1	—	—	—	—	—
	P3Y	W	7035 E3Y	1	—	—	—	—	—
	P6D	W	6453 E6D	—	—	—	1	—	—
	P6G	W	6453 E6G	—	—	—	1	—	—
	P6R	W	6453 E6R	—	—	—	1	—	—
	P6T	W	6453 E6T	—	—	—	1	—	—
	P6W, P6C, P6F, P6V, P6W	W	6453 E6W	—	—	—	1	—	—
	P6X	W	6453 E6X	—	—	—	1	—	—
	C6D	W	6454 E6D	—	—	—	—	1	—
	C6G	W	6454 E6G	—	—	—	—	1	—
	C6R	W	6454 E6R	—	—	—	—	1	—
	C6T	W	6454 E6T	—	—	—	—	1	—
	C6W	W	6454 E6W	—	—	—	—	1	—
	C6X	W	6454 E6X	—	—	—	—	1	—
	C5X	W	6458 E5X	—	—	—	—	1	—
	CRD	W	7261 ERD	—	—	—	—	1	—

NOTE: A letter code in the carline column indicates the carline for which the part is released as follows:

CARLINES Indicate:	B - Barracuda	V - Valiant L - Dart	R - Belvedere W - Coronet	P - Plymouth D - Dodge	C - Chrysler Y - Imperial
--------------------	---------------	-------------------------	------------------------------	---------------------------	------------------------------

AR Indicates use as required.
★ indicates change or addition.

Right and left part numbers are on same line,
first number is right, second number is left.

Printed in U.S.A.
January 1971

1969 PASSENGER CAR PARTS CATALOG

CODE	PART NAME	CAR LINE	PART NUMBER	Sed.	4 D.H.T.	Sra. Wgn.	2 D.H.T.	Sp. 2 D.H.T.	Conv.	
23-109-36	COVER, Rear Seat Cushion Cont'd.									
	CRG	W	7261 ERG	—	—	—	—	1	—	
	CRT	W	7261 ERT	—	—	—	—	1	—	
	CRX	W	7261 ERX	—	—	—	—	1	—	
	P2D, P6D	W	6452 E6D	—	—	—	—	—	1	
	P2G, P6G	W	6452 E6G	—	—	—	—	—	1	
	P6R	W	6452 E6R	—	—	—	—	—	1	
	P6T	W	6452 E6T	—	—	—	—	—	1	
	P2W, P6W, P6C, P6F, P6V	W	6452 E5W	—	—	—	—	—	1	
	P2X, P6X	W	6452 E6X	—	—	—	—	—	1	
	4 DOOR									
	K1A	D	7441 E1A	1	—	—	—	—	—	
	K2A	D	8881 E2A	1	—	—	—	—	—	
	L1B	D	8070 E1B	1	1	—	—	—	—	
	L1G	D	8070 E1G	1	1	—	—	—	—	
	L1X	D	8070 E1X	1	1	—	—	—	—	
	L1Y	D	8070 E1Y	1	1	—	—	—	—	
	L1B	D	8043 E1B	—	—	—	1	—	—	
	L1G	D	8043 E1G	—	—	—	1	—	—	
	L1X	D	8043 E1X	—	—	—	1	—	—	
	L1Y	D	8043 E1Y	—	—	—	1	—	—	
	L2B	D	7798 E2B	1	1	—	—	—	—	
	L2G	D	7798 E2G	1	1	—	—	—	—	
	L2T	D	7798 E2T	1	1	—	—	—	—	
	L2W	D	7798 E2W	—	1	—	—	—	—	
	L2X	D	7798 E2X	1	1	—	—	—	—	
	2ND. SEAT									
	L2B	D	7033 E2B	—	—	1	—	—	—	
	L2G	D	7033 E2G	—	—	1	—	—	—	
	L2T	D	7033 E2T	—	—	1	—	—	—	
	L2X	D	7033 E2X	—	—	1	—	—	—	
	3RD. SEAT									
	L2B	D	7025 E2B	—	—	1	—	—	—	
	L2G	D	7025 E2G	—	—	1	—	—	—	
	L2T	D	7025 E2T	—	—	1	—	—	—	
	L2X	D	7025 E2X	—	—	1	—	—	—	
	L2B, M6B	D	7697 E2B	—	—	—	1	—	—	
	L2G, M6G	D	7697 E2G	—	—	—	1	—	—	
	L2T, M6T	D	7697 E2T	—	—	—	1	—	—	
	L2W, M6W	D	7697 E2W	—	—	—	1	—	—	
	L2X, M6X	D	7697 E2X	—	—	—	1	—	—	
	L2B, M6B	D	7686 E2B	—	—	—	—	—	1	
	L2G, M6G	D	7686 E2G	—	—	—	—	—	1	
	L2W, M6W	D	7686 E2W	—	—	—	—	—	1	
	L2X, M6X	D	7686 E2X	—	—	—	—	—	1	
	H1B, H7B	D	7221 E1B	1	1	—	—	—	—	
	H1G, H7G	D	7221 E1G	1	1	—	—	—	—	
	H1L	D	7221 E1L	1	—	—	—	—	—	
	H1X, H7X	D	7221 E1X	1	1	—	—	—	—	
	H1Y	D	7221 E1Y	1	1	—	—	—	—	
	H4D	D	6456 E4D	—	1	—	—	—	—	
	H4G, H6G	D	6456 E4G	—	1	—	—	—	—	
	H4T	D	6456 E4T	—	1	—	—	—	—	
	H6W	D	6456 E4W	—	1	—	—	—	—	
	H4X, H6X	D	6456 E4X	—	1	—	—	—	—	
	H4Y, H6Y	D	6456 E4Y	—	1	—	—	—	—	
	6PASS.									
	H4D	D	6462 E4D	—	—	1	—	—	—	

NOTE: A letter code in the carline column indicates the carline for which the part is released as follows:

CARLINES Indicate:	V - Valiant	R - Belvedere	P - Plymouth	C - Chrysler
B - Barracuda	L - Dart	W - Coronet	D - Dodge	Y - Imperia

AR Indicates use as required.
 ★ Indicates change or addition.

Right and left part numbers are on same line,
 first number is right, second number is left.

Printed in U.S.A.
 January 1971

CODE	PART NAME	CAR LINE	PART NUMBER	Sed.	4 D.H.T.	Sta. Wgn.	2 D.H.T.	Sp. 2 D.H.T.	Conv.
23-109-36	COVER, Rear Seat Cushion Cont'd.								
	H4G	D	6462 E4G	—	—	1	—	—	—
	H4H	D	6462 E4H	—	—	1	—	—	—
	H4T, H8T	D	6462 E4T	—	—	1	—	—	—
	H4X, H8X	D	6462 E4X	—	—	1	—	—	—
	3RD. SEAT								
	H4D	D	7042 E4D	—	—	1	—	—	—
	H4G	D	7042 E4G	—	—	1	—	—	—
	H4H	D	7042 E4H	—	—	1	—	—	—
	H4T, H8T	D	7042 E4T	—	—	1	—	—	—
	H4X, H8X	D	7042 E4X	—	—	1	—	—	—
	H4D	D	7003 E4D	—	—	—	1	—	—
	H4G, H6G	D	7003 E4G	—	—	—	1	—	—
	H4T	D	7003 E4T	—	—	—	1	—	—
	H6W	D	7003 E4W	—	—	—	1	—	—
	H4X, H6X	D	70003 E4X	—	—	—	1	—	—
	H4Y, H6Y	D	7003 E4Y	—	—	—	1	—	—
	X2B	P	7420 E2B	1	—	—	—	—	—
	X2R	P	7420 E2R	1	—	—	—	—	—
	X2T	P	7420 E2T	1	—	—	—	—	—
	L1B	P	C7831 E1B	—	—	—	1	—	—
	L1G	P	C7831 E1G	—	—	—	1	—	—
	L1L	P	C7831 E1L	—	—	—	1	—	—
	L2B	P	C7842 E2B	—	—	—	1	—	—
	L2R	P	C7842 E2R	—	—	—	1	—	—
	L2T	P	C7842 E2T	—	—	—	1	—	—
	L2X	P	C7842 E2X	—	—	—	1	—	—
	L1B	D	C7826 E1B	1	—	—	—	—	—
	L1L	D	C7826 E1L	1	—	—	—	—	—
L2B	2ND. CUSHION COVER								
	L2L	D	7032 E2B	—	—	1	—	—	—
	L2R	D	7032 E2L	—	—	1	—	—	—
	L2R	D	7032 E2R	—	—	1	—	—	—
L2B	3RD. CUSHION COVER								
	L2L	D	C7828 E2B	—	—	1	—	—	—
	L2L	D	C7828 E2L	—	—	1	—	—	—
	L2R	D	C7828 E2R	—	—	1	—	—	—
	K2A	D	8881 E2A	1	—	—	—	—	—
	M1B	D	C7837 E1B	1	—	—	—	—	—
	M1G	D	C7837 E1G	1	—	—	—	—	—
	M1L	D	C7837 E1L	1	—	—	—	—	—
	M1B	D	C7835 E1B	—	—	—	1	—	—
	M1G	D	C7835 E1G	—	—	—	1	—	—
	M1L	D	C7835 E1L	—	—	—	1	—	—
	M2B, X2B	D	C7846 E2B	1	—	—	—	—	—
	M2R, X2R	D	C7846 E2R	1	—	—	—	—	—
	M2T, X2T	D	C7846 E2T	1	—	—	—	—	—
	M2X	D	C7846 E2X	1	—	—	—	—	—
	M2B	D	C7844 E2B	—	—	—	1	—	—
	M2R	D	C7844 E2R	—	—	—	1	—	—
	M2T	D	C7844 E2T	—	—	—	1	—	—
	M2X	D	C7844 E2X	—	—	—	1	—	—
M2B	2ND. CUSHION COVER								
	M2B	D	6432 E2B	—	—	1	—	—	—
	M2R	D	6432 E2R	—	—	1	—	—	—
	M2T	D	6432 E2T	—	—	1	—	—	—
	M2W	D	6432 E2W	—	—	1	—	—	—
	M2X	D	6432 E2X	—	—	1	—	—	—

NOTE: A letter code in the carline column indicates the carline for which the part is released as follows:

CARLINES Indicate:	B - Barracuda	V - Valiant	R - Belvedere	P - Plymouth	C - Chrysler
		L - Dart	W - Coronet	D - Dodge	Y - Imperial

AR Indicates use as required.
 ★ Indicates change or addition.

Right and left part numbers are on same line,
 first number is right, second number is left.

Printed in U.S.A.
 January 1971

1969 PASSENGER CAR PARTS CATALOG

CODE	PART NAME	CAR LINE	PART NUMBER	Sed.	4 D.H.T.	Sta. Wgn.	2 D.H.T.	Sp. 2 D.H.T.	Conv.
23-109-36	COVER, Rear Seat Cushion Cont'd.								
	M2B 3RD. CUSHION COVER								
	M2R	D	7031 E2B	—	—	1	—	—	—
	M2T	D	7031 E2R	—	—	1	—	—	—
	M2W	D	7031 E2T	—	—	1	—	—	—
	M2X	D	7031 E2W	—	—	1	—	—	—
	H1D	D	7031 E2X	—	—	1	—	—	—
	H1G	D	C7851 E1D	1	1	—	—	—	—
	H1L	D	C7851 E1G	1	1	—	—	—	—
	H1R	D	C7851 E1L	1	—	—	—	—	—
	H1X	D	C7851 E1R	1	—	—	—	—	—
	H1D	D	C7851 E1X	1	1	—	—	—	—
	H1G	D	C7848 E1D	—	—	—	1	—	—
	H1X	D	C7848 E1G	—	—	—	1	—	—
	H4D	D	C7848 E1X	—	—	—	1	—	—
	H4G	D	C7856 E4D	1	1	—	—	—	—
	H4R	D	C7856 E4G	1	1	—	—	—	—
	H4S	D	C7856 E4R	—	1	—	—	—	—
	H4T	D	C7856 E4S	1	1	—	—	—	—
	H4X, H8X	D	C7856 E4T	1	1	—	—	—	—
	H4X, H8X	D	C7856 E4X	1	1	—	—	—	—
	2ND CUSHION COVER								
	H4D	D	C7871 E4D	—	—	1	—	—	—
	H4G	D	C7871 E4G	—	—	1	—	—	—
	H4R	D	C7871 E4R	—	—	1	—	—	—
	H4S	D	C7871 E4S	—	—	1	—	—	—
	H4T	D	C7871 E4T	—	—	1	—	—	—
	H4X, H8X	D	C7871 E4X	—	—	1	—	—	—
	H4D 3RD. CUSHION COVER								
	H4G	D	C7875 E4D	—	—	1	—	—	—
	H4R	D	C7875 E4G	—	—	1	—	—	—
	H4S	D	C7875 E4R	—	—	1	—	—	—
	H4T	D	C7875 E4S	—	—	1	—	—	—
	H4X, H8X	D	C7875 E4T	—	—	1	—	—	—
	H4D	D	C7875 E4X	—	—	1	—	—	—
	H4G	D	C7875 E4D	—	—	1	—	—	—
	H4R	D	C7875 E4G	—	—	1	—	—	—
	H4S	D	C7875 E4R	—	—	1	—	—	—
	H4T	D	C7875 E4S	—	—	1	—	—	—
	H4X, H8X	D	C7875 E4T	—	—	1	—	—	—
	H4D	D	C7853 E4D	—	—	—	1	—	—
	H4G	D	C7853 E4G	—	—	—	1	—	—
	H4R	D	C7853 E4R	—	—	—	1	—	—
	H4S	D	C7853 E4S	—	—	—	1	—	—
	H4T	D	C7853 E4T	—	—	—	1	—	—
	H4W	D	C7853 E4W	—	—	—	1	—	—
	H4X	D	C7853 E4X	—	—	—	1	—	—
	H4D	D	C7855 E4D	—	—	—	—	—	1
	H4R	D	C7855 E4G	—	—	—	—	—	1
	H4W	D	C7855 E4R	—	—	—	—	—	1
	H4X	D	C7855 E4S	—	—	—	—	—	1
	P6D	D	C7858 E6D	—	—	—	1	—	—
	P6G	D	C7858 E6G	—	—	—	1	—	—
	P6R	D	C7858 E6R	—	—	—	1	—	—
	P6S	D	C7858 E6S	—	—	—	1	—	—
	P6T	D	C7858 E6T	—	—	—	1	—	—
	P6W	D	C7858 E6W	—	—	—	1	—	—
	P6X	D	C7858 E6X	—	—	—	1	—	—
	P6D	D	C7860 E6D	—	—	—	—	—	1
	P6R	D	C7860 E6G	—	—	—	—	—	1
	P6W	D	C7860 E6R	—	—	—	—	—	1
	P6X	D	C7860 E6S	—	—	—	—	—	1
	S7B	D	C7860 E6T	—	—	—	—	—	1
		D	7221 E1B	1	1	—	—	—	—

NOTE: A letter code in the carline column indicates the carline for which the part is released as follows:

CARLINES Indicate:	B - Barracuda	V - Valiant	R - Belvedere	P - Plymouth	C - Chrysler
		L - Dart	W - Coronet	D - Dodge	Y - Imperial

AR Indicates use as required.

★ Indicates change or addition.

Right and left part numbers are on same line,
first number is right, second number is left.

Printed in U.S.A.

January 1971

CODE	PART NAME	CAR LINE	PART NUMBER	Sed.	4 D.H.T.	Sta. Wgn.	2 D.H.T.	SP. 2 D.H.T.	Conv.
23-109-36	COVER, Rear Seat Cushion Cont'd.								
	S7G.....	D	7221 E1G	1	1				
	S7X.....	D	7221 E1X	1	1				
	E1D.....	C	6466 E1D	1	1				
	E1G.....	C	6466 E1G	1	1				
	E1L.....	C	6466 E1L	1	1				
	E1Q.....	C	6466 E1Q	1	1				
	E1X.....	C	6466 E1X	1	1				
	E1D.....	C	6469 E1D				1		
	E1G.....	C	6469 E1G				1		
	E1L.....	C	6469 E1L				1		
	E1Q.....	C	6469 E1Q				1		
	E1X.....	C	6469 E1X				1		
	E2D.....	C	646i E2D	1	1				
	E2T.....	C	6461 E2T		1				
	E2X.....	C	6461 E2X	1	1				
	E2Y.....	C	6461 E2Y	1	1				
	E2D.....	C	6460 E2D						1
	E2X.....	C	6460 E2X						1
	E2Y.....	C	6460 E2Y						1
	E2D.....	C	6455 E2D				1		
	E2T.....	C	6455 E2T				1		
	E2X.....	C	6455 E2X				1		
	E2Y.....	C	6455 E2Y				1		
	2ND. SEAT								
	E4E.....	C	6468 E4E			1			
	E4G, E8G.....	C	6468 E4G			1			
	E4T.....	C	6468 E4T			1			
	E4X, E8X.....	C	6468 E4X			1			
	E7L Up To Build Date 6-1-69.....	C	7061 E7L			1			
	E7L After Build Date 6-1-69.....	C	7061 E7P			1			
	3RD. SEAT								
	E4D Up To Build Date 8-1-69.....	C	7082 E4D			1			
	E4E Up To Build Date 8-1-69.....	C	7082 E4E			1			
	E8G, E4G Up To Build Date 8-1-69.....	C	7082 E4G			1			
	E8T, E4T Up To Build Date 8-1-69.....	C	7082 E4T			1			
	E4X, E8X Up To Build Date 8-1-69.....	C	7082 E4X			1			
	E4D After Build Date 8-1-69.....	C	7082 E4B			1			
	E4E After Build Date 8-1-69.....	C	7082 E4H			1			
	E4G, E8G After Build Date 8-1-69.....	C	7082 E4F			1			
	E4T After Build Date 8-1-69.....	C	7082 E4N			1			
	E4X, E8X After Build Date 8-1-69.....	C	7082 E4C			1			
	E7L Up To Build Date 6-1-69.....	C	7065 E7L			1			
	E7L After Build Date 6-1-69.....	C	7065 E7P			1			
	L3D.....	C	6472 E3D	1	1				
	L3G.....	C	6472 E3G	1	1				
	L3Q.....	C	6472 E3Q	1	1				
	L3X.....	C	6472 E3X	1	1				
	L3Y.....	C	6472 E3Y	1	1				
	L3D.....	C	6484 E3D				1		
	L3G.....	C	6484 E3G				1		
	L3Q.....	C	6484 E3Q				1		
	L3X.....	C	6484 E3X				1		
	L3Y.....	C	6484 E3Y				1		
	M5L.....	C	7280 E5L				1		
	M6D.....	C	6474 E6D				1		
	L6G, M6G.....	C	6474 E6G				1		
	E6T, L6T, M6T.....	C	6474 E6T				1		

NOTE: A letter code in the carline column indicates the carline for which the part is released as follows:

CARLINES Indicate:	V - Valiant L - Dart	R - Belvedere W - Coronet	P - Plymouth D - Dodge	C - Chrysler Y - Imperial
	B - Barracuda			

AR Indicates use as required.
★ Indicates change or addition.

Right and left part numbers are on same line,
first number is right, second number is left.

Printed in U.S.A.
January 1971

1969 PASSENGER CAR PARTS CATALOG

INTERIOR TRIM

CODE	PART NAME	CAR LINE	PART NUMBER	Sed.	4 D.H.T.	Sta. Wgn.	2 D.H.T.	Sp. 2 D.H.T.	Conv.
23-109-36	COVER, Rear Seat Cushion Cont'd.								
	E6W, L6W, M6W	C	6474 E6W	—	—	—	1	—	—
	E6X, L6X, M6X	C	6474 E6X	—	—	—	1	—	—
	L7E, Up To Build Date 6-1-69	C	6497 E3E	1	1	—	—	—	—
	L7L, Up To Build Date 6-1-69	C	6497 E3L	1	1	—	—	—	—
	M3G, Up To Build Date 6-1-69	C	6497 E3G	—	1	—	—	—	—
	M3X, Up To Build Date 6-1-69	C	6497 E3X	—	1	—	—	—	—
	M3Y, Up To Build Date 6-1-69	C	6497 E3Y	—	1	—	—	—	—
	L7L After Build Date 6-1-69	C	6497 E3P	1	1	—	—	—	—
	M3G After Build Date 6-1-69	C	6497 E3F	—	1	—	—	—	—
	M3X After Build Date 6-1-69	C	6497 E3C	—	1	—	—	—	—
	After Build Date 6-1-69	C	6497 E3O	—	1	—	—	—	—
	M3G Up To Build Date 6-1-69	C	7465 E3G	—	—	—	1	—	—
	M3X Up To Build Date 6-1-69	C	7465 E3X	—	—	—	1	—	—
	M3Y Up To Build Date 6-1-69	C	7465 E3Y	—	—	—	1	—	—
	M3G After Build Date 6-1-69	C	7465 E3F	—	—	—	1	—	—
	M3X After Build Date 6-1-69	C	7465 E3O	—	—	—	1	—	—
	M3Y After Build Date 6-1-69	C	7465 E3O	—	—	—	1	—	—
	L4D, M4D	C	6467 E4D	—	1	—	—	—	—
	L4E, M4E	C	6467 E4E	—	1	—	—	—	—
	L4X, L8X, M4X	C	6467 E4X	1	1	—	—	—	—
	L4D, M4D	C	6470 E4D	—	—	—	1	—	—
	L4E, M4E	C	6470 E4E	—	—	—	1	—	—
	L4X, M4X	C	6470 E4X	—	—	—	1	—	—
	M6D	C	6473 E6D	—	1	—	—	—	—
	M6G	C	6473 E6G	—	1	—	—	—	—
	M6T	C	6473 E6T	—	1	—	—	—	—
	M6W	C	6473 E6W	—	1	—	—	—	—
	M6X	C	6473 E6X	—	1	—	—	—	—
	M6D	C	6487 E6D	—	—	—	—	—	1
	M6G	C	6487 E6G	—	—	—	—	—	1
	E6T, M6T	C	6487 E6T	—	—	—	—	—	1
	E6W, M6W	C	6487 E6W	—	—	—	—	—	1
	E6X, M6X	C	6487 E6X	—	—	—	—	—	1
	HST	C	6486 EST	1	1	—	—	—	—
	H1D, H7D	C	6478 E1D	1	1	—	—	—	—
	H7E	C	6478 E1E	1	1	—	—	—	—
	H1G	C	6478 E1G	1	1	—	—	—	—
	H7L	C	6478 E1L	1	1	—	—	—	—
	H1Q	C	6478 E1Q	1	1	—	—	—	—
	H1X	C	6478 E1X	1	1	—	—	—	—
	H1Y	C	6478 E1Y	1	1	—	—	—	—
	H3D	C	6465 E3D	—	—	—	1	—	—
	H3G	C	6465 E3G	—	—	—	1	—	—
	H3Q	C	6465 E3Q	—	—	—	1	—	—
	H3X	C	6465 E3X	—	—	—	1	—	—
	H3Y	C	6465 E3Y	—	—	—	1	—	—
	H6D	C	6481 E6D	—	—	—	1	—	—
	H6T	C	6481 E6T	—	—	—	1	—	—
	H6W	C	6481 E6W	—	—	—	1	—	—
	H6X	C	6481 E6X	—	—	—	1	—	—
	H8L	C	6475 E8L	—	1	—	—	—	—
	H8X	C	6475 E8X	1	1	—	—	—	—
	M1D	Y	8506 E1D	1	—	—	—	—	—
	M1G	Y	8506 E1G	1	—	—	—	—	—
	M1M	Y	8506 E1M	1	—	—	—	—	—
	M1Q	Y	8506 E1Q	1	—	—	—	—	—
	M1K	Y	8506 E1K	1	—	—	—	—	—

NOTE: A letter code in the carline column indicates the carline for which the part is released as follows:

CARLINES Indicate:	B - Barracuda	V - Valiant L - Dart	R - Belvedere W - Coronet	P - Plymouth D - Dodge	C - Chrysler Y - Imperial
--------------------	---------------	-------------------------	------------------------------	---------------------------	------------------------------

AR Indicates use as required.
★ Indicates change or addition.

Right and left part numbers are on same line,
first number is right, second number is left.

Printed in U.S.A.
January 1971

CODE	PART NAME	CAR LINE	PART NUMBER	Sed.	4 D.H.T.	Sta. Wgn.	2 D.H.T.	Sp. 2 D.H.T.	Conv.
23-109-36	COVER, Rear Seat Cushion Cont'd.								
	M1X	Y	8506 E1X	1	—	—	—	—	—
	D1D	Y	4964 E1D	1	1	—	—	—	—
	D1G	Y	4964 E1G	1	1	—	—	—	—
	D1M	Y	4964 E1M	1	1	—	—	—	—
	D1Q	Y	4964 E1Q	1	1	—	—	—	—
	D1K	Y	4964 E1K	1	1	—	—	—	—
	D1X	Y	4964 E1X	1	1	—	—	—	—
	M3D	Y	4973 E3D	—	—	—	1	—	—
	M3G	Y	4973 E3G	—	—	—	1	—	—
	M3M	Y	4973 E3M	—	—	—	1	—	—
	M3Q	Y	4973 E3Q	—	—	—	1	—	—
	M3K	Y	4973 E3K	—	—	—	1	—	—
	M3X	Y	4973 E3X	—	—	—	1	—	—
	MSB	Y	6492 ESB	—	1	—	—	—	—
	MSD	Y	6492 ESD	—	1	—	—	—	—
	MSN	Y	6492 ESN	—	1	—	—	—	—
	MSG	Y	6492 ESG	—	1	—	—	—	—
	MST	Y	6492 EST	—	1	—	—	—	—
	MSR	Y	6492 ESR	—	1	—	—	—	—
	MSW	Y	6492 ESW	—	1	—	—	—	—
	MSX	Y	6492 ESX	—	1	—	—	—	—
	MSY	Y	6492 ESY	—	1	—	—	—	—
	MDD	Y	6491 EDD	—	1	—	—	—	—
	MDG	Y	6491 EDG	—	1	—	—	—	—
	MDM	Y	6491 EDM	—	1	—	—	—	—
	MDQ	Y	6491 EDQ	—	1	—	—	—	—
	MDK	Y	6491 EDK	—	1	—	—	—	—
	MDX	Y	6491 EDX	—	1	—	—	—	—
	MBD	Y	7711 EBD	—	—	—	1	—	—
	MBG	Y	7711 EBG	—	—	—	1	—	—
	MBM	Y	7711 EBM	—	—	—	1	—	—
	MBQ	Y	7711 EBQ	—	—	—	1	—	—
	MBK	Y	7711 EBK	—	—	—	1	—	—
	MBX	Y	7711 EBX	—	—	—	1	—	—
	MRB	Y	6495 ERB	—	—	—	1	—	—
	MRC	Y	6495 ERG	—	—	—	1	—	—
	MRT	Y	6495 ERT	—	—	—	1	—	—
	MRW	Y	6495 ERW	—	—	—	1	—	—
	MRX	Y	6495 ERX	—	—	—	1	—	—
23-109-38	RETAINER, Center Floor Pan Rear Seat Cushion	V,B,L,R; W,P,D,C,Y	1810 037	2	2	2	2	2	2
23-111-6	Retainer and Tacking Strip, Folding Top to Belt Bar								
	Side	R,W	2841 016-7	—	—	—	—	—	1
	Ctr	R,W	2841 054	—	—	—	—	—	1
	Side	P,D	2902 716-7	—	—	—	—	—	1
	Ctr	P,D	2902 657	—	—	—	—	—	1
	Side	C	2902 726-7	—	—	—	—	—	1
	Ctr	C	2902 658	—	—	—	—	—	1
	Side	B	2839 686-7	—	—	—	—	—	1
	Ctr	B	2839 691	—	—	—	—	—	1
	Side	L	2784 438-9	—	—	—	—	—	1
	Ctr	L	2784 436	—	—	—	—	—	1
	Corner	C	2964 642-3	—	—	—	—	—	1
	Screw	B,L,R,W	9423 830	—	—	—	—	—	2

NOTE: A letter code in the carline column indicates the carline for which the part is released as follows:

CARLINES Indicate:	V - Valiant	R - Belvedere	P - Plymouth	C - Chrysler
B - Barracuda	L - Dart	W - Coronet	D - Dodge	Y - Imperial

AR Indicates use as required.
★ Indicates change or addition.

Right and left part numbers are on same line,
first number is right, second number is left.

Printed in U.S.A.
January 1971

1969 PASSENGER CAR PARTS CATALOG

INTERIOR TRIM

CODE	PART NAME	CAR LINE	PART NUMBER	INTERIOR TRIM					Conv.
				Sed.	4 D.H.T.	Sta. Wgn.	2 D.H.T.	Sp. 2 D.H.T.	
23-111-6	RETAINER and TACKING STRIP Cont'd.								
	Screw	P,D,C	181 069	—	—	—	—	—	AR
	Screw and Washer, Ret.....	B,L,R,W,P, D,C	6025 338	—	—	—	—	—	AR
23-111-37	STRIP, Folding Top Bow Tacking								
	Nos. 1 and 2 Bow.....	B,L	2605 604	—	—	—	—	—	4
	No. 3 Bow, Ctr.	B,L	2603 557	—	—	—	—	—	1
	Outer	B,L	2605 720	—	—	—	—	—	1
	Nos. 1 and 2 Bow.....	R,W	2603 705	—	—	—	—	—	2
	No. 3 Bow, Ctr.	R,W	2603 557	—	—	—	—	—	1
	No. 2 bow	P,D,C	2901 218	—	—	—	—	—	2
	No. 3 Bow, End	P,D,C	2901 220	—	—	—	—	—	2
23-112-4	RETAINER, Folding Top Rear Rail Top Material								
		R,W	2605 182-3	—	—	—	—	—	1
		B,L	2784 910-1	—	—	—	—	—	1
	Side Rail.....	P,D,C	2902 832-3	—	—	—	—	—	1
23-112-12	BOOT, Folding Top Dust								
	CODES								
	H6B, D6B, H6C.....	B	1954 EB5	—	—	—	—	—	1
	D6G	B	1954 EF8	—	—	—	—	—	1
	H6R.....	B	1954 ER7	—	—	—	—	—	1
	D6T.....	B	1954 ET5	—	—	—	—	—	1
	H6C, H6W	B	1954 EW1	—	—	—	—	—	1
	H6X, D6P, D6N, D6S	B	1954 EX9	—	—	—	—	—	1
	P2B, P6B.....	L	1922 EB3	—	—	—	—	—	1
	P6G.....	L	1922 EF3	—	—	—	—	—	1
	P2R, P6R.....	L	1922 ER7	—	—	—	—	—	1
	P2W, P6C, P6F, P6W	L	1922 EW1	—	—	—	—	—	1
	P2X, P6X.....	L	1922 EX9	—	—	—	—	—	1
	P6Y	L	1922 EY4	—	—	—	—	—	1
	M6B, M6C, H2B, P6D, P6C, P6D, H2C, P2D	R,W	1915 EB7	—	—	—	—	1	—
	P2G, P6F, P6G	R,W	1915 EF8	—	—	—	—	—	1
	P6V, P6R.....	R,W	1915 ER7	—	—	—	—	—	1
	H2T, M6H, P6H, H2H, P6T.....	R,W	1915 ET5	—	—	—	—	—	1
	H2C, H2H, M6W, H2W, P6C, P6H, P6W, P2W, P6F, P6V.....	R,W	1915 EW1	—	—	—	—	—	1
	H2X, P6X, P2X	R,W	1915 DX9	—	—	—	—	—	1
	L2B, M6B.....	D	1943 EB3	—	—	—	—	—	1
	L2G, M6G.....	D	1943 EF3	—	—	—	—	—	1
	L2W, M6W, M4W, H6W, H4W, P6W.....	P,D	1943 EW1	—	—	—	—	—	1
	L2X, M4X, M6X, H6X, H4X, P6X	P,D	1943 EX9	—	—	—	—	—	1
	M4D, H6D, H4D, P6D.....	P,D	1943 EB7	—	—	—	—	—	1
	M4R, H6R, H4R, P6R.....	P,D	1943 ER7	—	—	—	—	—	1
	E2D, M6D.....	C	1912 EB9	—	—	—	—	—	1
	M6G.....	C	1912 EF8	—	—	—	—	—	1
	E6T, M6T.....	C	1912 ET5	—	—	—	—	—	1
	E6W, M6W.....	C	1912 EW1	1	—	—	—	—	—
	E6X, E2X, M6X	C	1912 EX9	—	—	—	—	—	1
	E2Y.....	C	1912 EY4	—	—	—	—	—	1
23-112-18	RETAINER, Rear Seat Back Dust Boot								
		B,L	2767 864	—	—	—	—	—	1
		R,W	2656 615	—	—	—	—	—	1
		P,D,C	2942 027	—	—	—	—	—	1
23-112-21	FASTENER, Folding Top Dust								
	Boot to Belt								
	CAP, Dust Boot to Belt Att.....	L	141 995	—	—	—	—	—	27
		B	141 995	—	—	—	—	—	23

NOTE: A letter code in the carline column indicates the carline for which the part is released as follows:

CARLINES Indicate:	B - Barracuda	V - Valiant L - Dart	R - Belvedere W - Coronet	P - Plymouth D - Dodge	C - Chrysler Y - Imperial
--------------------	---------------	-------------------------	------------------------------	---------------------------	------------------------------

AR Indicates use as required.

★ Indicates change or addition.

Right and left part numbers are on same line,
first number is right, second number is left.

Printed in U.S.A.

January 1971

CODE	PART NAME	CAR LINE	PART NUMBER	Sed.	4 D.H.T.	Sta. Wgn.	2 D.H.T.	Sp. 2 D.H.T.	Conv.		
23-112-21	FASTENER, Folding Top Dust Boot to Belt Cont'd. SOCKET, Dust Boot to Belt	L	141 998	—	—	—	27	—	—		
		B	141 998	—	—	—	—	—	23		
		B,R,W	2788 807	—	—	—	—	—	20		
		P,D,C	2878 583	—	—	—	—	—	29		
23-112-45	CURTAIN, Folding Top Rear LESS GLASS White Black WITH GLASS White Black LESS GLASS Black White WITH GLASS White Black White Black w/vinyl backlite White Black w/Glass White Black Nut, pocket pnl. dust boot fast. att. Screw, dust boot ret. att.	B	1956 EW1	—	—	—	—	—	1		
		B	1956 EX9	—	—	—	—	—	1		
		B	1957 EW1	—	—	—	—	—	1		
		B	1957 EX9	—	—	—	—	—	1		
		L	1974 EX9	—	—	—	—	—	1		
		L	1974 EW1	—	—	—	—	—	1		
		L	1975 EW1	—	—	—	—	—	1		
		L	1975 EX9	—	—	—	—	—	1		
		R,W	1902 EW1	—	—	—	—	—	1		
		R,W	1902 EX9	—	—	—	—	—	1		
		P,D	1990 EW1	—	—	—	—	—	1		
		P,D	1990 EX9	—	—	—	—	—	1		
		P,D,C	1998 DW1	—	—	—	—	—	1		
		P,D,C	1998 DX9	—	—	—	—	—	1		
		R,W	271 472	—	—	—	—	—	2		
		L,P,D,C	6024 477	—	—	—	—	—	2		
		B,L,P,D,C	9422 166	—	—	—	—	—	10		
		23-112-46	ZIPPER, Rear Curtain Full Black Black Black	B,L	1920 CX8	—	—	—	—	—	1
				P,D,C	1968 EX8	—	—	—	—	—	1
				R,W	1972 EX8	—	—	—	—	—	1
23-112-75	TIP, Folding Top Wire-on Binding End	B,L,R,W	1158 977	—	—	—	—	—	2		
		P,D,C		—	—	—	—	—	2		
23-112-88	CABLE, Folding Top Cover Side Tension Screw, side tension cable brkt. Nut, Adj	B,L	2789 260-1	—	—	—	—	—	1		
		R,W	2657 672-3	—	—	—	—	—	2		
		P,D,C	2878 214-5	—	—	—	—	—	1		
		B,L,R,W	9418 292	—	—	—	—	—	2		
		P,D,C		6026 773	—	—	—	—	2		
		P,D,C	—	—	—	—	—	—	2		
23-112-108	DECK and SIDE QUARTER, Folding Top White Black White Black White Black White Black White Black	B	1935 EW1	—	—	—	—	—	1		
		B	1935 EX9	—	—	—	—	—	1		
		L	1936 EW1	—	—	—	—	—	1		
		L	1936 EX9	—	—	—	—	—	1		
		R,W	1937 DW1	—	—	—	—	—	1		
		R,W	1937 DX9	—	—	—	—	—	1		
		P,D,C	1905 EW1	—	—	—	—	—	1		
		P,D,C	1905 EX9	—	—	—	—	—	1		
		23-112-112	PAD, Folding Top Stay Black Black Black	B,L	1948-9 DX9	—	—	—	—	—	1
				R,W	1952-3 DX9	—	—	—	—	—	1
P,D,C	1950-1 EX9			—	—	—	—	—	1		

NOTE: A letter code in the carline column indicates the carline for which the part is released as follows:

CARLINES Indicate:	B - Barracuda	V - Valiant L - Dart	R - Belvedere W - Coronet	P - Plymouth D - Dodge	C - Chrysler Y - Imperial
--------------------	---------------	-------------------------	------------------------------	---------------------------	------------------------------

AR Indicates use as required.
★ Indicates change or addition.

Right and left part numbers are on same line,
first number is right, second number is left.

Printed in U.S.A.
January 1971

1969 PASSENGER CAR PARTS CATALOG

INTERIOR TRIM

CODE	PART NAME	CAR LINE	PART NUMBER	Sed.	4 D.H.T.	Sra. Wgn.	2 D.H.T.	Sp. 2 D.H.T.	Conv.
23-112-153	PANEL, Folding Top Pocket paint as req'd.	B	2090-1 DX9	—	—	—	—	—	1
		L	2092-3 DX9	—	—	—	—	—	1
		R	2082-3 DX9	—	—	—	—	—	1
		W	2002-3 DX9	—	—	—	—	—	1
	FOLDING TOP WELL COVER								
		B	1940 EX9	—	—	—	—	—	1
		L	1941 EX9	—	—	—	—	—	1
		R,W	1942 EX9	—	—	—	—	—	1
		P	1944 EX9	—	—	—	—	—	1
		D	1994 EX9	—	—	—	—	—	1
		C	1960 EX9	—	—	—	—	—	1
	Eyelet, Well Cover Ctr. and Side Att.	B,L,R,W	141 991	—	—	—	—	—	AR
	Socket, Well Cover Ctr. and Side Att.	B,L,R,W	141 998	—	—	—	—	—	AR
23-112-160	PAD, Folding Top Pocket Panel Arm Rest								
	CODES								
	H6B, D6B	B	1204-5 EB5	—	—	—	—	—	1
	P2B, P6B	L	1204-5 EB3	—	—	—	—	—	1
	D6G	B	1204-5 EF8	—	—	—	—	—	1
	P6G	L	1204-5 EF3	—	—	—	—	—	1
	H6R, D6R, P2R, P6R	B,L	1204-5 ER6	—	—	—	—	—	1
	D6T	B	1204-5 ET4	—	—	—	—	—	1
	H6C, H6W, P2W, P6C, P6F, P6W	B,L	1204-5 EW1	—	—	—	—	—	1
	H6X, D6X, P2X, P6X	B,L	1204-5 DX9	—	—	—	—	—	1
	D6P	B	1204-5 EY3	—	—	—	—	—	1
	P6Y	L	1204-5 EY4	—	—	—	—	—	1
	M6B, H2B	R	1202-3 EB3	—	—	—	—	—	1
	P2D, P6D	R,W	1202-3 EB7	—	—	—	—	—	1
	P2G, P6G	W	1202-3 EF8	—	—	—	—	—	1
	P6R	W	1202-3 ER6	—	—	—	—	—	1
	M6T, P6T	R,W	1202-3 ET4	—	—	—	—	—	1
	H2C, H2H, H2W, M6C, M6H, M6W, P2W, P6C, P6F, P6V, P6W	R,W	1202-3 EW1	—	—	—	—	—	1
	M6X, H2X, P2X, P6X	,W	1202-3 DX9	—	—	—	—	—	1
23-113-2	WEATHERCORD, Door and Quarter Window								
	CODES								
	L1B, L2B, D1B, D4B, H1B, H4B, H6C	V,L	1548 EB7	AR	—	—	AR	—	—
	P6B	L	1548 EB3	—	—	—	AR	—	—
	L2B, H4B, H4C, H6B, F6J, D6B	B	1548 EB5	—	—	—	AR	AR	—
	H1G, H2G, H4F, H6F, X1G, D6G, H6G	V,B,L	1548 EF8	AR	—	—	AR	AR	—
	P6G	L	1548 EF3	—	—	—	AR	—	—
	H1L	L	1548 EL3	AR	—	—	—	—	—
	L1R, L2R, D2R, D4R, H2R, H4R, H6R, H4V, H6V, X2R, D6R, P6R	V,B,L	1548 ER6	AR	—	—	AR	AR	—
	L2T, D2T, H2T, X1T, D6J, D6T, D6U	V,B,L	1548 ET4	AR	—	—	AR	AR	—
	L2X, H4X, H6X, P6X, D6P, D6X, F6P, X1X	V,B	1548 CX9	—	—	—	AR	AR	—
	H2C, H4C, H2W, H4F, H4V, H4W, H6C, H6F, H6V, H6W, P6C, P6E, P6F, P6W	B,L	1548 EW1	—	—	—	AR	—	—
	H1Y, H2Y, H4Y, H6E, P3Y, P6Y	V,L	1548 EY4	AR	—	—	AR	—	—
	2 DOOR Upper								
	M2B, H2B, M6B	R,W	1548 EB7	AR	—	—	—	—	—
	M6F, M6G, H2F, H2G	R,W	1548 EF3	AR	—	—	—	—	—
	K1T, K2T, M2T, M6T, H2T	R,W	1548 ET4	AR	—	—	—	—	—
	M6C, M6F, M6H, M6W, H2C, H2F, H2H, H2W	R,W	1548 EW1	AR	—	—	—	—	—
	M6X	W	1548 EW1	AR	—	—	—	—	—
	M6X, M2X, H2S, H2X	R,W	1548 CX9	AR	—	—	—	—	—
	M6R, H2R	W	1548 ER6	AR	—	—	—	—	—

NOTE: A letter code in the carline column indicates the carline for which the part is released as follows:

CARLINES Indicate:	V - Valiant L - Dart	R - Belvedere W - Coronet	P - Plymouth D - Dodge	C - Chrysler Y - Imperial
	B - Barracuda			

AR Indicates use as required.
★ Indicates change or addition.

Right and left part numbers are on same line,
first number is right, second number is left.

Printed in U.S.A.
January 1971

CODE	PART NAME	CAR LINE	PART NUMBER	Sed.	4 D.H.T.	Stra. Wgn.	2 D.H.T.	Sp. 2 D.H.T.	Conv.
23-113-2	WEATHERCORD, Door and Quarter Window Cont'd. 2 DOOR QTR. WINDOW OPNG.								
	M6B, H1B, H2B.....	R,W	1548 EB3	AR	—	—	—	—	—
	M6G, H1G, H2G.....	R,W	1548 EF3	AR	—	—	—	—	—
	H1L.....	W	1548 EL3	AR	—	—	—	—	—
	K1T, K2T, M2T, M6T, H2T.....	R,W	1548 ET4	AR	—	—	—	—	—
	M2B.....	R,W	1548 EB7	AR	—	—	—	—	—
	M2X, M6X, H1X, H2X, H2S.....	R,W	1548 EX9	AR	—	—	—	—	—
	M6C, M6F, M6W, M6H, H2C, H2F, H2H, H2W.....	R,W	1548 EW1	AR	—	—	—	—	—
	M6R, H2R.....	W	1548 ER6	AR	—	—	—	—	—
	L1B, L2B, X2B, H1B, H2B.....	R,W	1548 EB3	AR	—	AR	—	—	—
	P2B, P2C, P2D, P3B, P3D, P6D, D2D.....	R,W	1548 EB7	AR	—	AR	—	—	—
	H1G, H2G.....	R,W	1548 EF3	AR	—	AR	—	—	—
	P2F, D2G, P2G, P3G, P6G.....	R,W	1548 EF8	AR	—	AR	—	—	—
	L1L, H1L, X1G.....	R,W	1548 EL3	AR	—	—	—	—	—
	P2S, P6S.....	R	1548 EA5	AR	—	AR	—	—	—
	K1T, K2T, T2T, X1T, X2T, L2T, P2T, P3T, P6T, D2T, H2T.....	R,W	1548 ET4	AR	—	AR	—	—	—
	T2X, D2X, L2X, X2X, H1X, H2X, P2X, P3X, P6X.....	R,W	1548 CX9	AR	—	AR	—	—	—
	P6C, P6F, P6H.....	R	1548 EW1	AR	—	—	—	—	—
	FRONT DOOR								
	E1D, E2D, L3D, L4D, H1D, H7D.....	C	1521 EB9	2	—	—	—	—	—
	L4E, L7E, H7E.....	C	1521 EE9	2	—	—	—	—	—
	L3G, H1G.....	C	1521 EF8	2	—	—	—	—	—
	E1L, L7L, H7L.....	C	1521 EL3	2	—	—	—	—	—
	E1X, E2X, L3X, L4X, L8X, H1X.....	C	1521 EX9	2	—	—	—	—	—
	E1G, M1G.....	C,Y	1522 EF3	2	—	—	—	—	—
	E1Q, L3Q, H1Q.....	C	1522 EQ3	2	—	—	—	—	—
	H5T.....	C	1522 ET1	2	—	—	—	—	—
	E2Y, L3Y, H1Y.....	C	1522 EY4	2	—	—	—	—	—
	E4D.....	C	1521 EB9	—	—	2	—	—	—
	E4E.....	C	1521 EE9	—	—	2	—	—	—
	E4G, E8G.....	C	1521 EF8	—	—	2	—	—	—
	E7L.....	C	1521 EL3	—	—	2	—	—	—
	E4T.....	C	1521 ET4	—	—	2	—	—	—
	E4X, E8X.....	C	1521 EX9	—	—	2	—	—	—
	REAR DOOR								
	E4D.....	C	1521 EB9	—	—	2	—	—	—
	E4E.....	C	1521 EE9	—	—	2	—	—	—
	E4G, E8G.....	C	1521 EF8	—	—	2	—	—	—
	E7L.....	C	1521 EL3	—	—	2	—	—	—
	E4T.....	C	1521 ET4	—	—	2	—	—	—
	E4X, E8X.....	C	1521 EX9	—	—	2	—	—	—
	Front Door								
	L1B, M1B, M2B, H1D, H4D, S7B, X2B Canada.....	D	1522 EB3	2	—	—	—	—	—
	L2B, M2B, H4DCanada.....	D	1522 EB7	—	—	2	—	—	—
	M1G, H1G, H4G, S7GCanada.....	D	1525 EF3	2	—	—	—	—	—
	H4G Canada.....	D	1525 EF8	—	—	2	—	—	—
	L1L, M1L, H1LCanada.....	D	1525 EL3	2	—	—	—	—	—
	FRONT DOOR								
	E1B, L1B, L2B, M4D, H1B, H7B.....	P,D	1522 EB3	2	—	—	—	—	—
	E2B, L2B, M4D, H4D.....	P,D	1522 EB7	—	—	2	—	—	—
	L1X, L2X, K1A, K2A, M4S, H7S, H1X, H7X.....	D	1522 EA2	2	—	—	—	—	—
	E2R, L2R, X2R, M1R, M2R, M4R, H1R, H4R.....	P	1522 ER6	4	—	4	—	—	—
	L1Y, H1Y.....	D	1522 EY1	2	—	—	—	—	—

NOTE: A letter code in the carline column indicates the carline for which the part is released as follows:

CARLINES Indicate:	B - Barracuda	V - Valiant L - Dart	R - Belvedere W - Coronet	P - Plymouth D - Dodge	C - Chrysler Y - Imperial
--------------------	---------------	-------------------------	------------------------------	---------------------------	------------------------------

AR Indicates use as required.

★ Indicates change or addition.

Right and left part numbers are on same line,
first number is right, second number is left.

Printed in U.S.A.

January 1971

1969 PASSENGER CAR PARTS CATALOG

INTERIOR TRIM

CODE	PART NAME	CAR LINE	PART NUMBER	Sed.	4 D.H.T.	Sta. Wgn.	2 D.H.T.	Sp. 2 D.H.T.	Conv.
23-113-2	WEATHERCORD, Door and Quarter Window Cont'd.								
	FRONT DOOR								
	L2G, M4G, H4G	P,D	1521 EF8	2	—	—	—	—	—
	E1L, L1L, M1L, H1L	P,D	1521 EL3	2	—	—	—	—	—
	X4X, L1X, L2X, M4X, M8X, M4S	P	1521 ET1	2	—	—	—	—	—
	L1G, M1G, M4G, L2G, H1G, H7G	P,D	1521 EF3	2	—	—	—	—	—
	L2T, M4T, H4T, H4H, H8T,	P,D	1522 ET2	—	—	2	—	—	—
	L2W	P	1522 EW1	—	—	2	—	—	—
	REAR DOOR								
	E1D, E2D, L3D, L4D, M1D, H1D, H7D	C,Y	1525 EB9	2	—	—	—	—	—
	L4E, L7E, H7E	C	1525 EE9	2	—	—	—	—	—
	E1G, M1G	C,Y	1525 EF3	2	—	—	—	—	—
	L3G, H1G	C	1525 EF8	2	—	—	—	—	—
	E1L, L7L, H7L		1525 EL3	2	—	—	—	—	—
	MPM	Y	1525 EM9	2	—	—	—	—	—
	E1Q, L3Q, M1Q, H1Q	C,Y	1525 EQ3	2	—	—	—	—	—
	HST M1K	C,Y	1525 ET1	2	—	—	—	—	—
	E1X, E2X, L3X, L4X, L8X, M1X, H1X	C,Y	1525 EX9	4	—	—	—	—	—
	E2Y, L3Y, H1Y	C	1525 EY4	2	—	—	—	—	—
	REAR DOOR								
	E1B, L1B, L2B, M1D, M4D, H1B, H7B	P,D	1523 EB3	2	—	—	—	—	—
	L1G, M1G, M4G, L2G, H1G, H7G	P,D	1523 EF3	2	—	—	—	—	—
	E1L, L1L, M1L, H1L	P,D	1523 EL3	2	—	—	—	—	—
	L2R, M1R	P	1523 ER6	2	—	—	—	—	—
	L1X, L2X, K1A, K2A, H1X, H7X	D	1523 ET1	2	—	—	—	—	—
	K1T, K2T, L2T, M4T	D	1523 ET1	2	—	—	—	—	—
	M4S	P	1523 EA2	2	—	—	—	—	—
	X4X, L2X, M1X, M4X, M8X	P	1523 EX9	2	—	—	—	—	—
	L1Y, H1Y	D	1523 EY1	2	—	—	—	—	—
	E2B, L2B, M2B, H4D	P,D	1521 EB7	—	—	2	—	—	—
	L2G, M4G, H4G	P,D	1521 EF8	—	—	2	—	—	—
	L2T, M2T, M4T, H4T, H4H, H8T	P,D,C	1521 ET4	—	—	2	—	—	—
	E2R, L2R, M2R, M4R, H4R	D	1521 ER6	—	—	2	—	—	—
	L2W, M2W	D	1521 EW1	—	—	2	—	—	—
	E2L, L2X, M4S, M4X, L2L, M2X, M8X, H4S, H4X, H8X	P,D,C	1521 EX9	—	—	1	—	—	—
23-113-3	COVER, Door Pinchweld								
	FRONT DOOR								
	CODES								
	M4S	P	1504-5 EA2	1	—	—	—	—	—
	E1B, L1B, L2B, M1D, M4D, H1E, H7B,	P,D	1534-5 EB3	1	—	—	—	—	—
	E2B, L2B, M4D, H4D	P,D	1534-5 EB7	—	—	1	—	—	—
	E2R, L2R, M1R, M4R	P	1534-5 ER6	1	—	1	—	—	—
	L2W	P	1504-5 EW1	—	—	1	—	—	—
	L1Y, H1Y	D	1534-5 EY1	1	—	—	—	—	—
	E1D, E2D, L3D, L4D, E4D, H1D, H7D, D1D	C,Y	1534-5 EB9	1	—	1	—	—	—
	E4E, L4E, L7E, H7E	C	1534-5 EE9	1	—	1	—	—	—
	E4G, L3G, E8G, H1G	C	1534-5 EF8	1	—	1	—	—	—
	E1L, E7L, L7L, H7L	C	1534-5 EL3	1	—	1	—	—	—
	E4T	C	1504-5 ET4	—	—	1	—	—	—
	E1X, E2X, E4X, E8X, L3X, L4X, L8X H1X, H8X, D1X	C,Y	1534-5 EX9	1	—	1	—	—	—
	E1G, D1G	C,Y	1504-5 EF3	1	—	—	—	—	—
	D1M	Y	1534-5 EM9	1	—	—	—	—	—
	E1Q, L3Q, H1Q, D1Q	C,Y	1534-5 EQ3	1	—	—	—	—	—
	E2Y, L3Y, H1Y	C	1534-5 EY4	1	—	—	—	—	—
	REAR DOOR								
	E1B, L1B, L2B, M1D, M4D, H1B, H7B	P,D	1532-3 EB3	1	—	—	—	—	—

NOTE: A letter code in the carline column indicates the carline for which the part is released as follows:

CARLINES Indicate:	B - Barracuda	V - Valiant	R - Belvedere	P - Plymouth	C - Chrysler
		L - Dart	W - Coronet	D - Dodge	Y - Imperial

AR Indicates use as required.

★ Indicates change or addition.

Right and left part numbers are on same line,
first number is right, second number is left.

Printed in U.S.A.

January 1971



PRODUCT BULLETIN

TO ALL CHRYSLER MOTORS CORPORATION DEALERS

Date: 3-22-71
Subject: 1969 Passenger Car
Trim Section 81-690-0936
Addition

REFERENCE: Page IT - 171 of the Subject Catalog -

Add the following:

CODE	NAME	CARLINE	PART NUMBER	BODY
23-113-45	Weathercord, Qtr. Window Opening			
	<u>CODES</u>			<u>2 DR. SEDAN</u>
	M2B, H2B, H2C, M6B, M6C	R, W	1572-3 EB7	2
	M2T, K1T, K2T, H2T, H2H, M6T, M6H	R, W	1572-3 ET4	2
	H2W, M6W	R, W	1572-3 EW1	2
	H2G, H2F, M6G, M6F	R, W	1572-3 EF8	2
	H2R, M6R	R, W	1572-3 ER6	2
	H2S, M6S	R, W	1572-3 EA5	2
	M2X, H2X, M6X	R, W	1572-3 EX9	2

CODE	PART NAME	CAR LINE	PART NUMBER	Sed.	4 D.H.T.	Sta. Wgn.	2 D.H.T.	Sp. 2 D.H.T.	Conv.
23-113-3	COVER, Door Pinchweld Cont'd.								
	L1G, L2G, M1G, M4G, H1G, H7G	P,D	1530-1 EF3	1	—	—	—	—	—
	L1L, M1L, H1L	P,D	1530-1 EL3	1	—	—	—	—	—
	L2R, M1R	P	1532-3 ER6	1	—	—	—	—	—
	M4S	P	1532-3 EA2	1	—	—	—	—	—
	L1X, L2X, K1A, K2A, H1X, H7X	D	1532-3 EA2	1	—	—	—	—	—
	X4X, L2X, M1X, M4X, M8X	P	1530-1 EX9	1	—	—	—	—	—
	L1Y, L4Y	D	1532-3 EY1	1	—	—	—	—	—
	L2G, M4G, H4G	P,D	1500-1 EF8	—	—	1	—	—	—
	E2L, L2X, M4S, M4X, M8X, H4X, H8X	P,D	1530-1 EX9	—	—	1	—	—	—
	E1D, E2D, E4D, L3D, L4D, H1D, H7D, D1D	C,Y	1530-1 EB9	1	—	1	—	—	—
	E4E, L4E, L7E	C	1530-1 EE9	1	—	1	—	—	—
	E1G, D1G	C,Y	1530-1 EF3	1	—	—	—	—	—
	E4G, E8G, L3G, H1G	C	1530-1 EF8	1	—	—	—	—	—
	E1L, E7L, L7L, H7L	C	1530-1 EL3	1	—	1	—	—	—
	D1M	Y	1530-1 EM9	1	—	—	—	—	—
	HST, D1K	C,Y	1530-1 ET1	1	—	—	—	—	—
	E1X, E2X, E4X, E8X, L3X, L4X, L8X, H1X, H8X, D1X	C,Y	1530 EX9	1	—	1	—	—	—
	E2Y, L3Y, H1Y	C	1530-1 EY4	1	—	—	—	—	—
23-113-30	WEATHERCORD, Rear Door Lock Pillar w/Dual Air Cond. upr.								
	CODES								
	E2B, L2B, M4D, H4D	P,D	1566 EB7	—	—	1	—	—	—
	E4D	C	1566 EB9	—	—	1	—	—	—
	L2G, E4G, E8G, M4G, H4G	P,D,C	1566 EF8	—	—	1	—	—	—
	E2R, L2R, M4R	P	1566 ER6	—	—	1	—	—	—
	L2T, M4T	P	1566 ET4	—	—	1	—	—	—
	E4T, L2T, H4T, H4H, H8T	D,C	1566 ET1	—	—	1	—	—	—
	L2W	P	1566 EW1	—	—	1	—	—	—
	E7L	C	1566 EL3	—	—	1	—	—	—
	E4E		1566 EE9	—	—	1	—	—	—
	E2X, E4X, E8X, L2X, M4X, M4S, M8X, H4X, H8X	P,D,C	1566 EX9	—	—	1	—	—	—
23-113-84	WELT, Folding Top Dust Boot Filler Channel Attaching								
		B,L,R,W,P,D,C	2572 166	—	—	—	—	—	AR
	HEADER WELT	B,L,R,W	1959 VX8	—	—	—	—	—	1
	Ctr.	P,D,C	1993 EX8	—	—	—	—	—	1
	End	P,D,C	1996 EX8	—	—	—	—	—	2
23-114-10	BINDING, Folding Top Wire-on								
	White	B,L	1903 BW1	—	—	—	—	—	1
	Black	B,L	1903 BX9	—	—	—	—	—	1
	White	R,W	1965 DW1	—	—	—	—	—	1
	Black	R,W	1965 DX9	—	—	—	—	—	1
	White	P,D,C	1938 EW1	—	—	—	—	—	1
	Black	P,D,C	1938 EX9	—	—	—	—	—	1
23-115-5	WASHER Frnt. seat ctr. arm rest trim	V,B,R,W,P, D,C,Y	1918 299	2	2	2	2	2	2
23-115-6	PIN, Front Seat Cushion to Back Ctr. Pivot Split Type	P,D,C,Y	2767 865	1	1	1	—	—	—
23-115-8	CLIP, Wheelhouse Cover to Quarter Inside Front Panel	R,W	2405 049	—	—	2	—	—	—
23-115-10	SCREW, Center Arm Rest to Cushion Frnt.	V,B,R,W,P, D,C,Y	2092 212	2	2	2	2	2	2

NOTE: A letter code in the carline column indicates the carline for which the part is released as follows:

CARLINES Indicate:	B - Barracuda	V - Valiant L - Dart	R - Belvedere W - Coronet	P - Plymouth D - Dodge	C - Chrysler Y - Imperial
--------------------	---------------	-------------------------	------------------------------	---------------------------	------------------------------

AR Indicates use as required.
★ Indicates change or addition.

Right and left part numbers are on same line,
first number is right, second number is left.

Printed in U.S.A.
January 1971

NOTES

PART NAME	CODE	PART NAME	CODE
-----------	------	-----------	------

TRIM ALPHABETICAL INDEX

A

Air conditioning roof evaporating unit trim pad	23-86-14
Arm and bracket, visor	23-103-10
Arm rest, front seat back center	23-76-18
Arm rest, rear seat back center	23-76-40
Arm rest base	23-76-9
Arm rest pad	23-76-11
Assist strap back plate	23-77-28
Assist strap band	23-77-27
Assist strap support	23-77-14

B

Back, front seat	23-108-12
Back, rear seat	23-109-3
Back of front seat back insert	23-108-32
Back of front seat back panel	23-108-32
Band, assist strap	23-77-27
Base, arm rest	23-76-9
Base, roof assist handle	23-77-19
Belt bar to spare cover clip	23-115-8
Binding, 5/8" wire-on	23-114-10
Boot, folding top dust	23-112-12
Box, front door arm rest storage compartment	23-76-6
Bracket, coat hook support	23-82-39
Bracket, front seat back side shield mounting	23-108-142
Bracket, front seat center cushion frame mounting	23-108-71
Bracket, quarter arm rest attaching	23-76-79
Bracket, rear seat back shroud to inner panel	23-102-8
Bracket, rear window side frame	23-77-18
Bracket, seat cushion shield attaching	23-108-71
Bucket seat back foundation retainer	23-108-38
Bucket seat headrest catch	23-108-29
Bucket seat headrest guide	23-108-27

C

Cable, folding top cover side tension	23-112-88
Cap, roof assist handle end	23-77-20
Cap, roof inside finish moulding	23-86-36
Carpet, floor	23-71-1
Carpet, front floor	23-79-3
Carpet, luggage compartment floor	23-79-64
Carpet, rear floor	23-79-33
Carpet, wheelhouse and lower quarter trim	23-96-8
Carpet and foundation, console rear arm rest	23-76-107
Carpet and foundation, rear seat back panel	23-109-6
Catch, bucket seat headrest	23-108-29
Center cushion side mounting bracket cover	23-108-74
Center floor pan seat cushion retainer	23-109-38
Clip, belt bar to spare tire cover	23-115-8
Clip, cowl side trim panel retaining	23-91-20
Clip, front seat back outer hinge arm cover	23-115-6
Clip, tailgate opening pillar cover upper retaining	23-115-6
Clip, trim pad to instrument panel attaching	23-84-11
Coat hanger hook	23-82-30
Coat hook support bracket	23-82-39

Console rear arm rest carpet and foundation	23-76-107
Cover, center cushion side mounting bracket	23-108-74
Cover, deck lid inner panel access hole	23-96-16
Cover, folding top dust boot side	23-112-14
Cover, folding top rear bow to link joint	23-112-23
Cover, front seat back	23-108-16
Cover, front seat back center arm rest	23-76-34
Cover, front seat back headrest	23-108-20
Cover, front seat back side hinge	23-108-84
Cover, front seat center arm rest Stanchion	23-108-66
Cover, front seat cushion	23-108-5
Cover, pocket panel	23-112-153
Cover, rear quarter arm rest	23-76-86
Cover, rear quarter side filler panel	23-101-38
Cover, rear seat back	23-109-4
Cover, rear seat back center arm rest	23-76-45
Cover, rear seat cushion	23-109-36
Cover, roof outside	23-86-2
Cover, well	23-112-153
Cover, wheelhouse and lower quarter trim	23-96-8
Cowl side trim panel retaining clip	23-91-20
Cowl side trim silencer	23-91-11
Cowl trim panel	23-91-6
Curtain, folding top rear	23-112-45
Cushion, front seat	23-108-4
Cushion, rear seat	23-109-35

D

Deck and side quarter hold-down spring	23-112-109
Deck lid inner panel access hole cover	23-96-16
Door and quarter arm rest attaching nut	23-76-16
Door trim panel	23-92-5
Door trim panel attaching nut	23-92-12
Door weathercord retainer	23-113-31
Dowel, spare tire cover latching	23-79-76

F

Facing, rear cushion lower	23-109-59
Fastener, seat back medallion	23-115-6
Fastener and plate, folding top dust boot to belt moulding attaching	23-112-21
Flap, rear seat back center arm rest	23-76-53
Floor carpet	23-71-1
Folding top bow tacking strip	23-111-37
Folding top cover side tension cable	23-112-88
Folding top dust attaching welt	23-113-84
Folding top dust boot	23-112-12
Folding top dust boot filler channel attaching welt	23-113-84
Folding top dust boot side cover	23-112-14
Folding top dust boot to belt moulding attaching fastener and plate	23-112-21
Folding top header tacking strip	23-111-30
Folding top header weathercord	23-113-56
Folding top pocket panel finish plate	23-112-165
Folding top rear bow to link joint cover	23-112-23
Folding top rear curtain	23-112-45
Folding top rear bow moulding retainer	23-86-11
Folding top rear rail top material retainer	23-112-4
Folding top tacking strip	23-111-37
Folding top to belt bar retainer	23-112-70
Folding top to belt bar side retainer and tacking strip	23-111-6
Folding top to belt bar side tacking strip	23-111-5
Folding top tape	23-112-50

PART NAME	CODE	PART NAME	CODE
Front door arm rest storage compartment box	23-76-6	N	
Front floor carpet	23-79-3	Nut, door and quarter arm rest attaching.	23-76-16
Front pillar tacking strip	23-111-10	Nut, door trim panel attaching	23-92-12
Front seat back	23-108-12	P	
Front seat back center arm rest	23-76-18	Pad, air conditioning roof evaporating unit trim	23-86-14
Front seat back center arm rest cover	23-76-34	Pad, arm rest	23-76-11
Front seat back center arm rest hinge	23-76-17	Pad, instrument panel trim	23-84-3
Front seat back center arm rest lock bar	23-76-28	Pad, pocket panel arm rest	23-112-160
Front seat back cover	23-108-16	Pad, quarter arm rest	23-76-76
Front seat back grab handle	23-82-14	Pad, rear door arm rest	23-76-63
Front seat back headrest	23-108-19	Panel, back of front seat back	23-108-32
Front seat back headrest cover	23-108-20	Panel, cowl trim	23-91-6
Front seat back outer hinge arm cover clip	23-115-6	Panel, door trim	23-92-5
Front seat back side hinge cover	23-108-84	Panel, luggage compartment air cond. trim	23-96-15
Front seat back side shield mounting bracket	23-108-142	Panel, luggage compartment front lining	23-96-3
Front seat back spring and cover	23-108-15	Panel, luggage compartment side lining	23-96-8
Front seat center arm rest stanchion cover	23-108-66	Panel, pocket	23-112-153
Front seat center arm rest stop	23-76-38	Panel, pocket shelf	23-112-153
Front seat center arm rest to center screw	23-115-10	Panel, rear compartment security	23-96-3
Front seat center arm rest trim washer	23-115-5	Panel, rear quarter side filler	23-101-39
Front seat center cushion frame mounting bracket	23-108-71	Panel, rear quarter trim	23-101-3
Front seat cushion	23-108-4	Panel, rear seat top and back	23-109-14
Front seat cushion bumper to rear rail nut	23-108-57	Panel, rear upper pillar reinforcement trim	23-99-38
Front seat cushion cover	23-108-5	Panel, shelf trim	23-102-3
Front seat cushion to back pivot pin	23-108-11	Panel, visor trim	23-103-3
Front seat side shield	23-108-98	Pin, front seat cushion to back pivot	23-108-11
G		Plate, assist strap back	23-77-28
Guide, bucket seat headrest	23-108-27	Plate, folding top pocket panel finish	23-112-165
H		Pocket panel	23-112-153
Handle, front seat back grab	23-82-14	Pocket panel arm rest pad	23-112-160
Handle, spare tire cover	23-79-67	Pocket panel cover	23-112-153
Headrest, front seat back	23-108-19	Pocket shelf panel	23-112-153
Hinge, front seat back center arm rest	23-76-17	Protector, roof outside cover retainer	23-86-31
Hook, coat hanger	23-82-30	Push-Nut, 3rd seat back to hinge bracket	23-115-4
I		Q	
Insert, back of front seat back	23-108-32	Quarter arm rest attaching bracket	23-76-79
Insert, rear seat back panel	23-109-5	Quarter arm rest pad	23-76-76
Insert, tailgate	23-79-79	Quarter arm rest panel to filler retainer	23-76-72
Instrument panel end extension welt	23-113-102	Quarter lamp	8-11-2
Instrument panel trim pad	23-84-3		to
L			8-11-29
Listing and headlining	23-86-3	R	
Lock bar, front seat back center arm rest	23-76-28	Rear compartment security panel	23-96-3
Luggage compartment air cond. trim panel	23-96-15	Rear cushion lower facing	23-109-59
Luggage compartment floor carpet	23-79-64	Rear door arm rest pad	23-76-63
Luggage compartment front lining panel	23-96-3	Rear floor carpet	23-79-33
Luggage compartment side lining panel	23-96-8	Rear floor well carpet retainer	23-79-34
M		Rear quarter arm rest cover	23-76-86
Medallion attaching stud	23-109-11	Rear quarter side filler panel	23-101-39
Moulding, roof headlining finish	23-86-35	Rear quarter side filler panel cover	23-101-38
		Rear quarter trim panel	23-101-3
		Rear quarter trim panel lower carpet	23-101-26
		Rear seat back	23-109-3
		Rear seat back center arm rest	23-76-40
		Rear seat back center arm rest cover	23-76-45
		Rear seat back center arm rest flap	23-76-53
		Rear seat back cover	23-109-4

PART NAME	CODE	PART NAME	CODE
Rear seat back dust boot retainer . . .	23-112-18	Spare tire cover carpet attaching	23-79-5
Rear seat back panel carpet and foundation	23-109-6	Spare tire cover handle	23-79-67
Rear seat back panel insert	23-109-5	Spare tire cover latching dowel	23-79-76
Rear seat back shroud to inner panel bracket	23-102-8	Spare tire cover latching grommet	23-79-68
Rear seat cushion	23-109-35	Spring, deck and side quarter hold-down Spring and cover, front seat back	23-112-109 23-108-15
Rear seat cushion cover	23-109-36	Spring and hook, windshield upper garnish moulding visor	23-103-34
Rear seat top and back panel	23-109-14	Stop, front seat center arm rest	23-76-38
Rear upper pillar reinforcement trim panel	23-99-38	Strip, folding top bow tacking	23-111-37
Rear window side frame bracket	23-77-18	Strip, folding top header tacking	23-111-30
Retainer, bucket seat back foundation . .	23-108-38	Strip, folding top tacking	23-111-37
Retainer, center floor pan seat cushion.	23-109-38	Strip, folding top to belt bar side tacking.	23-111-5
Retainer, door weathercord	23-113-31	Strip, front pillar tacking	23-111-10
Retainer, folding top rear bow moulding	23-86-11	Strip, roof headlining retaining	23-86-19
Retainer, folding top rear rail top material	23-112-4	Stud, medallion attaching	23-109-11
Retainer, folding top to belt bar	23-112-70	Support, assist strap	23-77-14
Retainer, quarter arm rest panel to filler	23-76-72	Support, roof bow	23-86-10
Retainer, rear floor well carpet	23-79-34	Support, visor inner	23-103-48
Retainer, rear quarter trim panel lower carpet	23-101-26	T	
Retainer, rear seat back dust boot . . .	23-112-18	Tacking strip and retainer, folding top to belt bar side	23-111-6
Retainer, roof headlining	23-86-19	Tailgate, insert	23-79-79
Retainer, roof inside finish panel moulding	23-86-24	Tailgate opening pillar cover upper retaining clip	23-115-6
Retainer, roof outside cover	23-86-8	Tape, folding top	23-112-50
Retainer, side rail roof bow	23-86-11	Trim pad to instrument panel attaching clip	23-84-11
Retainer, tufting button	23-78-3	Tufting button retainer	23-78-3
Retainer, windshield finish strip lower .	23-113-58	V	
Retainer and tacking strip, folding top to belt bar side	23-111-6	Visor, arm and bracket	23-103-10
Roof assist handle base	23-77-19	Visor inner support	23-103-48
Roof assist handle end cap	23-77-20	Visor trim panel	23-103-3
Roof bow support	23-86-10	W	
Roof headlining finish moulding	23-86-35	Washer, front seat center arm rest trim	23-115-5
Roof headlining retainer	23-86-19	Washer, spare tire cover carpet attaching	23-79-5
Roof headlining retaining strip	23-86-19	Weathercord, folding top header	23-113-56
Roof inside finish moulding cap	23-86-36	Well cover	23-112-153
Roof inside finish panel moulding retainer	23-86-24	Welt, folding*top dust attaching	23-113-84
Roof outside cover	23-86-2	Welt, folding top dust boot filler channel attaching	23-113-84
Roof outside cover retainer	23-86-8	Welt, instrument panel and extension . .	23-113-102
Roof outside cover retainer proctector .	23-86-31	Welt, windshield side garnish moulding to lower garnish moulding	23-113-50
S		Wheelhouse and lower quarter trim carpet	23-96-8
Screw, front seat center arm rest to center	23-115-10	Wheelhouse and lower quarter trim cover	23-96-8
Seat, back medallion fastener	23-115-6	Windshield finish strip lower retainer . .	23-113-58
Seat cushion shield attaching bracket . .	23-108-71	Windshield side garnish moulding to lower garnish welt	23-113-50
Shelf, trim panel	23-102-3	Windshield upper garnish moulding visor spring	23-103-34
Shield, front seat side	23-108-98	Wire-on binding, 5/8"	23-114-10
Side rail roof bow retainer	23-86-11		
Silencer, cowl side trim	23-91-11		

PART NUMBER	CODE	PART NUMBER	CODE	PART NUMBER	CODE	PART NUMBER	CODE	PART NUMBER	CODE
0120	23-84-3	1364	23-102-3	1842	23-109-5	2749	23-108-98		23-86-19
0141	23-76-79	1367	23-102-3	1843	23-109-5	2750	23-108-98		23-86-36
	23-112-21	1373	23-102-3	1844	23-109-5	2754	23-108-98		23-86-40
	23-112-153	1380	23-102-3	1845	23-79-79	2756	23-108-98		23-96-3
0167	23-108-27	1521	23-113-2	1902	23-112-45	2760	23-76-35		23-96-8
	23-108-84	1522	23-113-2	1903	23-114-10	2761	23-76-35		23-96-10
0181	23-111-6	1523	23-113-2	1905	23-112-108	2762	23-76-35		23-96-15
0271	23-112-45	1525	23-113-2	1912	23-112-12	2767	23-76-28		23-96-21
0273	23-81-3	1530	23-113-3	1915	23-112-12		23-108-98	2888	23-108-19
0274	23-84-3	1548	23-113-2	1918	23-115-5		23-112-18		23-108-25
0414	23-86-19	1566	23-113-30	1920	23-112-46		23-115-6		23-108-27
1002	23-86-3	1623	23-92-8	1922	23-112-12	2782	23-86-19		23-108-29
1009	23-86-19	1678	23-79-3	1935	23-112-108	2784	21-101-33		23-108-30
1010	23-86-19	1679	23-79-3	1936	23-112-108		23-86-10		23-108-31
1011	23-86-3	1681	23-79-33	1937	23-112-108		23-108-71		23-108-34
1012	23-86-3	1682	23-79-33	1938	23-114-10		23-111-6		23-108-37
1013	23-86-3	1685	23-79-3	1940	23-112-153		23-112-4		23-108-71
1044	4-24-69	1686	23-79-3	1942	23-112-153	2787	23-96-3		23-108-98
	23-86-3	1688	23-79-33	1943	23-112-12	2788	23-71-8		23-108-142
1045	4-24-69	1697	23-81-3	1944	23-112-153		23-112-21	2893	23-86-10
	23-86-3	1700	23-79-33	1954	23-112-12	2789	23-77-5	2894	23-86-19
1047	4-24-69	1701	23-79-33	1956	23-112-45		23-78-2		23-99-9
	23-86-3	1703	23-79-33	1957	23-112-45		23-103-48	2895	23-86-10
1048	4-24-69	1705	23-79-33	1959	23-113-84		23-103-49	2900	23-86-10
	23-86-3	1706	23-79-33	1960	23-112-153		23-112-88		23-86-19
1049	4-24-69	1707	23-79-33	1965	23-114-10	2813	23-99-4	2901	23-76-79
	23-86-3	1711	23-79-33	1968	23-112-46	2820	23-99-6		23-86-10
1050	4-24-69	1716	23-79-33	1972	23-112-46	2838	23-86-19		23-86-19
	23-86-3	1717	23-79-33	1974	23-112-45	2839	21-101-33		23-111-37
1051	4-24-69	1725	23-79-33	1975	23-112-45		23-111-6	2902	23-109-5
	23-86-3	1734	23-79-3	1990	23-112-45	2840	23-86-10		23-111-6
1057	4-24-69	1735	23-79-3	1993	23-113-84		23-86-19		23-112-4
	23-86-3	1738	23-79-33	1994	23-112-153		23-86-24	2936	23-86-14
1064	23-86-35	1740	23-79-33	1996	23-113-84	2841	23-86-10	2942	23-108-19
1070	23-86-35	1743	23-79-33	1998	23-112-45		23-96-3		23-108-44
1071	23-86-35	1747	23-79-3	2015	23-96-26		23-111-6		23-108-71
1073	23-86-3	1751	23-79-3	2027	23-96-8	2842	23-86-19		23-108-98
1074	23-86-3	1752	23-79-3	2031	23-109-23	2851	23-78-3		23-112-18
1075	23-86-3	1753	23-79-33	2092	23-115-10	2858	23-108-29	2943	23-78-2
1076	4-24-69	1754	23-79-3	2270	23-76-28		23-108-71		23-78-3
	23-86-3	1769	23-79-3	2405	23-115-8		23-108-98	2945	23-103-10
1077	4-24-69	1772	23-79-33	2482	23-86-11	2860	23-99-9	2951	23-96-3
	23-86-3	1782	23-79-3	2572	23-113-84	2861	23-86-19	2952	23-109-6
1079	4-24-69	1783	23-79-64	2577	23-78-2	2876	21-101-33	2963	23-86-8
	23-86-3	1785	23-79-33		23-78-3		23-82-39	2964	23-111-6
1107	23-103-3	1786	23-79-33	2581	23-86-19		23-86-24	2999	23-103-10
1109	23-103-3	1800	23-79-33		23-86-24		23-86-36	3411	23-84-9
1111	23-103-3	1801	23-79-33	2588	23-91-6		23-102-11	3412	23-86-3
1112	23-103-3	1803	23-109-5	2589	23-86-24	2877	23-86-19		23-86-35
1115	23-103-3	1804	23-109-5	2602	23-93-8		23-86-24		23-102-3
1158	23-112-75	1805	23-109-5	2603	23-111-37		23-86-35	3494	23-92-5
1192	23-103-3	1806	23-109-5	2604	23-86-10		23-86-36	3517	23-96-8
1208	23-76-9	1807	23-109-5	2605	23-86-11		23-86-40		23-101-3
1212	23-76-9	1808	23-109-5		23-111-37		23-96-10	3522	4-24-69
1213	23-76-9	1810	23-79-33		23-112-4	2878	23-71-6	3523	4-24-69
1214	23-76-11		23-109-38	2608	23-76-28		23-76-7	3532	4-24-69
	23-76-63	1811	23-109-5		23-76-30		23-76-9	3533	4-24-69
1230	23-76-10	1812	23-109-5	2609	23-76-25		23-76-17	3539	4-24-69
	23-76-63	1813	23-79-33		23-76-35		23-76-66	3550	23-71-1
1232	23-76-10	1814	23-109-5		23-108-71		23-76-79	3551	23-71-1
1240	23-76-76	1816	23-109-5		23-108-142		23-77-7	3553	23-71-1
1249	23-76-11	1817	23-109-5	2656	23-79-68		23-79-34	3557	4-24-69
1250	23-76-9	1818	23-109-5		23-96-3		23-79-65	3563	23-71-1
1280	23-76-16	1821	23-109-5		23-112-18		23-86-19	3567	23-71-1
1301	23-102-3	1822	23-109-5	2657	23-79-34		23-96-3	3573	4-24-69
1304	23-102-3	1825	23-109-5		23-86-24		23-96-8	3583	23-96-8
1306	23-102-3	1826	23-109-5		23-112-88		23-96-12		23-101-3
1312	23-102-3	1834	23-79-79	2700	23-108-98		23-103-10	3596	23-86-3
1318	23-102-3	1835	23-109-5	2701	23-108-98		23-112-21	3598	23-93-15
1321	23-102-3		23-109-6	2702	23-108-98		23-112-88	3599	23-93-9
1325	23-102-3	1837	23-79-33	2703	23-108-98	2879	21-101-33	3700	23-86-35
1341	23-102-3	1839	23-109-5	2705	23-108-98		23-76-17	3701	23-103-16
1361	23-102-3	1840	23-79-33	2729	23-108-32		23-77-9	3705	23-86-35
1363	23-102-3	1841	23-109-5	2731	23-108-32		23-86-1	3710	23-86-15

* Includes all color codes.

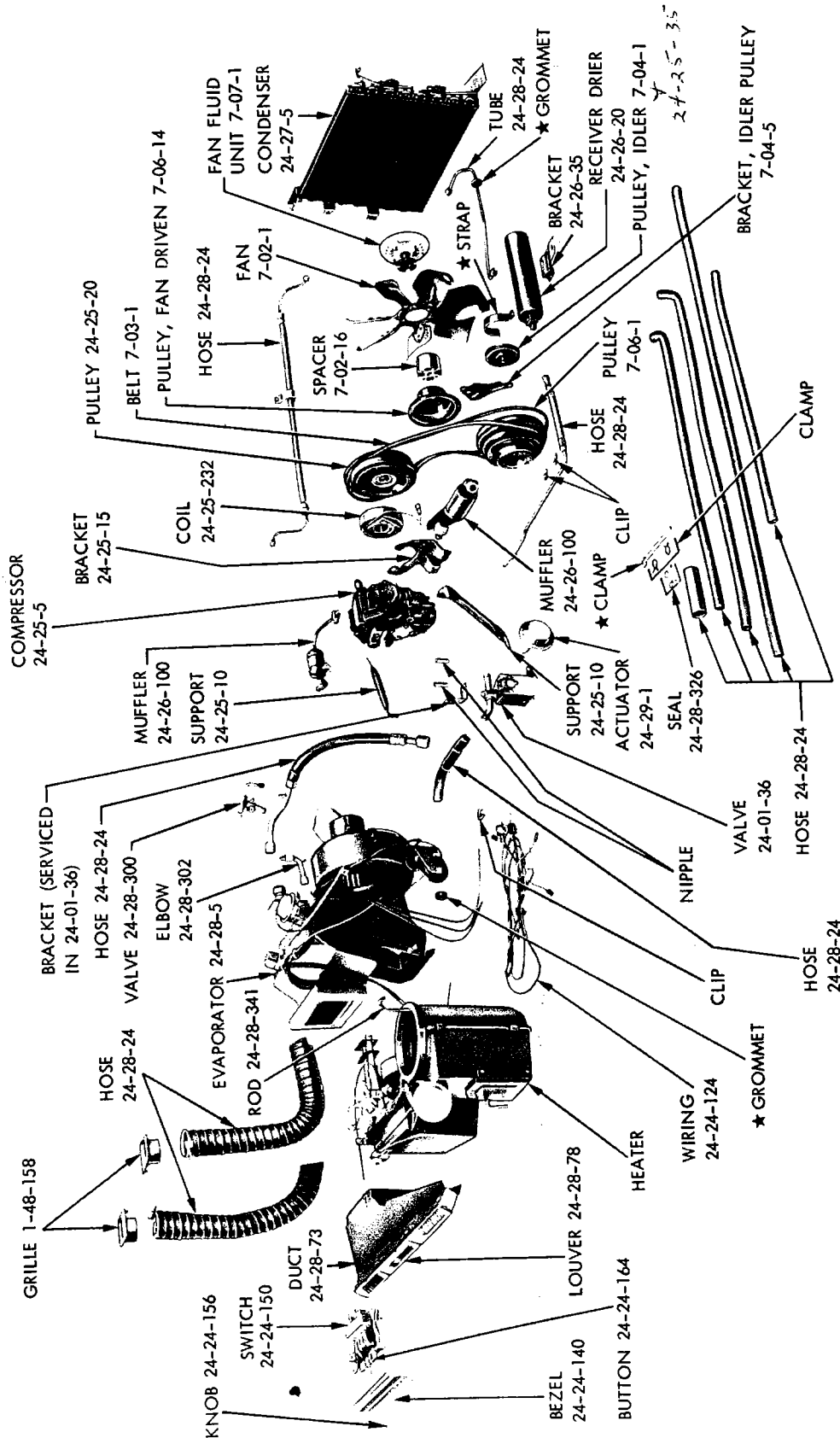
1969 PASSENGER CAR PARTS CATALOG

PART NUMBER	CODE	PART NUMBER	CODE	PART NUMBER	CODE	PART NUMBER	CODE	PART NUMBER	CODE
3711	23-86-36	5819	23-108-5	5993	23-108-16	6413	23-109-36	6710	23-109-4
3734	23-86-35	5820	23-108-5	6000	23-77-3	6415	23-109-36	6711	23-109-4
3737	23-86-36	5821	23-108-5		23-79-64	6416	23-109-36	6712	23-109-4
3771	23-86-36	5822	23-108-5		23-84-3	6417	23-109-36	6713	23-109-4
3776	23-86-35	5823	23-108-5		23-86-19	6418	23-109-36	6715	23-109-4
3784	23-86-36	5825	23-108-5		23-96-8	6419	23-109-36	6716	23-109-4
3862	23-108-32	5826	23-108-5		23-96-15	6422	23-109-36	6726	23-109-4
4107	23-77-3	5827	23-108-5		23-101-3	6424	23-109-36	6727	23-109-4
4112	23-84-3	5828	23-108-5		23-102-3	6425	23-109-36	6730	23-109-4
4113	23-84-3	5829	23-108-5		23-103-10	6426	23-109-36	6731	23-109-4
4121	23-82-30	5830	23-108-5		23-108-16	6428	23-109-36	6732	23-109-4
4149	23-79-64	5831	23-108-5	6001	23-96-10	6429	23-109-36	6735	23-109-4
4183	23-79-67	5832	23-108-5		23-101-3	6430	23-109-36	6750	23-109-4
4193	23-78-2	5833	23-108-5		23-108-16	6431	23-109-36	6751	23-109-4
4203	23-84-3	5834	23-108-5	6002	23-86-4	6432	23-109-36	6752	23-109-4
4210	23-84-3	5835	23-108-5		23-92-8	6433	23-109-36	6753	23-109-4
4220	23-84-3	5836	23-108-5		23-101-3	6434	23-109-36	6754	23-109-4
4239	23-84-3	5837	23-108-5		23-108-16	6435	23-109-36	6755	23-109-4
4252	23-84-3	5838	23-108-5	6003	23-108-16	6436	23-109-36	6757	23-109-4
4254	23-84-3	5840	23-108-5	6004	23-108-16	6437	23-109-36	6758	23-109-4
4255	23-84-3	5841	23-108-5	6005	23-108-16	6439	23-109-36	6759	23-109-4
4259	23-84-3	5842	23-108-5	6008	23-86-14	6440	23-109-36	6760	23-109-4
4260	23-84-3	5843	23-108-5	6010	23-108-16	6442	23-109-36	6761	23-109-4
4262	23-84-3	5844	23-108-5	6013	23-86-19	6444	23-109-36	6762	23-109-4
4283	23-84-3	5846	23-108-5	6023	23-76-18	6445	23-109-36	6763	23-109-4
4312	23-77-3	5847	23-108-5	6024	23-71-1	6446	23-109-36	6764	23-109-4
4320	23-79-33	5849	23-108-5		23-76-9	6447	23-109-36	6765	23-109-4
4323	23-79-64	5850	23-108-5		23-76-18	6449	23-109-36	6767	23-109-4
4388	23-108-66	5851	23-108-5		23-79-33	6450	23-109-36	6768	23-109-4
4406	23-71-1	5852	23-108-5		23-82-30	6452	23-109-36	6769	23-109-4
4459	23-96-8	5853	23-108-5		23-82-39	6453	23-109-36	6770	23-109-4
4460	23-96-8	5854	23-108-5		23-84-3	6454	23-109-36	6771	23-109-4
4506	23-78-2	5855	23-108-5		23-96-10	6455	23-109-36	6772	23-109-4
4515	23-78-2	5856	23-108-5		23-109-5	6456	23-109-36	6773	23-109-4
4516	23-78-2	5857	23-108-5		23-112-45	6458	23-109-36	6774	23-109-4
4807	23-109-7	5858	23-108-5	6025	23-76-18	6459	23-109-36	6775	23-109-4
4812	23-78-2	5862	23-108-5		23-108-32	6460	23-109-36	6777	23-109-4
4838	23-78-2	5863	23-108-5		23-108-98	6461	23-109-36	6779	23-109-4
4839	23-78-2	5866	23-108-5		23-111-6	6462	23-109-36	6780	23-109-4
4858	23-96-3	5867	23-108-5	6026	23-76-9	6463	23-109-36	6781	23-109-4
4871	23-78-2	5870	23-108-5		23-76-18	6464	23-109-36	6782	23-109-4
4919	23-79-64	5871	23-108-5		23-76-79	6465	23-109-36	6784	23-109-4
4924	23-86-2	5872	23-108-5		23-79-33	6466	23-109-36	6786	23-109-36
4925	23-86-2	5874	23-108-5		23-109-5	6467	23-109-36	6787	23-109-4
4929	23-108-20	5875	23-108-5		23-112-88	6468	23-109-36	6790	23-109-4
4930	23-108-20	5876	23-108-5	6027	23-76-9	6469	23-109-36	6791	23-109-4
4932	23-108-20	5880	23-108-5		23-79-33	6470	23-109-36	6792	23-109-4
4962	23-109-4	5881	23-108-5		23-96-26	6472	23-109-36	6793	23-109-4
4963	23-108-5	5882	23-108-5		23-102-3	6473	23-109-36	6794	23-109-4
4964	23-109-36	5884	23-108-5	6028	4-24-69	6474	23-109-36	6795	23-109-4
4966	23-108-16	5887	23-108-5		23-102-3	6475	23-109-36	6796	23-109-4
4967	23-76-34	5891	23-108-5	6049	23-108-16	6478	23-109-36	6797	23-109-4
4970	23-108-5	5895	23-108-5	6057	23-108-16	6481	23-109-36	6799	23-109-36
4971	23-76-34	5900	23-108-16	6058	23-108-16	6483	23-109-36	6829	23-109-4
4972	23-109-4	5901	23-108-16	6066	23-108-16	6484	23-109-36	6835	23-109-4
4973	23-109-36	5907	23-108-16	6078	23-108-16	6486	23-109-36	6836	23-109-4
4979	23-76-40	5910	23-108-16	6108	23-86-2	6487	23-109-36	6837	23-109-4
4982	23-76-18	5927	23-108-16	6109	23-86-2	6488	23-109-36	6839	23-109-4
4987	23-71-1	5934	23-108-16	6110	23-86-2	6491	23-109-36	6840	23-109-4
5014	23-108-5	5935	23-108-16	6153	23-108-32	6492	23-109-36	6841	23-109-4
5427	23-109-4	5936	23-108-16	6170	23-108-32	6495	23-109-36	6842	23-109-4
5800	23-108-5	5951	23-108-16	6184	23-108-32	6497	23-109-36	6843	23-109-4
5801	23-108-5	5952	23-108-16	6215	23-109-36	6498	23-109-36	6845	23-109-4
5802	23-108-5	5953	23-108-16	6400	23-109-36	6499	23-109-36	6847	23-109-4
5803	23-108-5	5956	23-108-16	6401	23-109-36	6537	23-109-4	6849	23-109-4
5806	23-108-5	5960	23-108-16	6402	23-109-36	6544	23-79-33	6850	23-109-4
5807	23-108-5	5965	23-108-16	6403	23-109-36	6545	23-79-33	6851	23-109-4
5810	23-108-5	5966	23-108-16	6405	23-109-36	6700	23-109-4	6854	23-109-4
5811	23-108-5	5967	23-108-16	6406	23-109-36	6701	23-109-4	6855	23-109-4
5812	23-108-5	5971	23-108-16	6407	23-109-36	6702	23-109-4	6856	23-109-4
5814	23-108-5	5976	23-108-16	6409	23-109-36	6705	23-109-4	6857	23-109-4
5816	23-108-5	5977	23-108-16	6410	23-109-36	6706	23-109-4	6858	23-109-4
5817	23-108-5	5978	23-108-16	6411	23-109-36	6708	23-109-4	6861	23-109-4
5818	23-108-5	5985	23-108-16	6412	23-109-36	6709	23-109-4	6862	23-109-4

PART NUMBER	CODE	PART NUMBER	CODE	PART NUMBER	CODE	PART NUMBER	CODE	PART NUMBER	CODE		
6864	*	23-109-4	7131	*	23-86-3	7721	*	23-76-34	8740	*	23-76-19
6866	*	23-109-4	7133	*	4-24-69	7722	*	23-76-18	8744	*	23-109-36
6870	*	23-109-4		*	23-86-3	7744	*	23-108-5	8746	*	23-109-4
6918	*	23-76-34	7134	*	4-24-69	7756	*	23-109-4	8754	*	23-86-2
6919	*	23-76-18		*	23-86-3	7758	*	23-108-16	8755	*	23-109-36
6926	*	23-76-18	7135	*	4-24-69	7761	*	23-109-4	8757	*	23-109-4
6927	*	23-76-34	7136	*	4-24-69	7764	*	23-109-4	8759	*	23-109-36
6928	*	23-76-34	7147	*	23-86-3	7795	*	23-109-4	8768	*	23-109-4
6929	*	23-76-18	7167	*	4-24-69	7798	*	23-109-36	8770	*	23-109-4
6930	*	23-76-34	7171	*	23-86-3	7924	*	23-108-98	8772	*	23-109-4
6931	*	23-76-18	7178	*	23-86-2	7925	*	23-108-98	8774	*	23-109-4
6932	*	23-76-34	7182	*	4-24-69	7926	*	23-108-98	8776	*	23-108-16
6933	*	23-76-18	7185	*	23-86-2	7927	*	23-108-98	8796	*	23-86-2
6934	*	23-76-34	7186	*	23-86-2	7928	*	23-108-98	8838	*	23-108-16
6938	*	23-76-18	7187	*	23-86-2	8004	*	23-109-36	8865	*	23-76-18
6939	*	23-76-34	7188	*	23-86-2	8036	*	23-108-5	8871	*	23-76-34
6940	*	23-76-18	7190	*	23-86-2	8043	*	23-109-36	8872	*	23-76-18
6941	*	23-76-34	7191	*	23-86-2	8045	*	23-109-4	8873	*	23-76-19
6942	*	23-76-18	7192	*	23-86-2	8051	*	23-108-5	8878	*	23-109-36
6943	*	23-108-5	7212	*	23-76-18	8054	*	23-108-16	8881	*	23-109-36
6945	*	23-76-18	7213	*	23-76-34	8062	*	23-109-4	8884	*	23-109-4
6946	*	23-76-34	7216	*	23-108-5	8066	*	23-109-36	9412	*	23-76-18
6949	*	23-76-18	7218	*	23-108-16	8070	*	23-109-36		*	23-108-98
6950	*	23-76-34	7221	*	23-109-36	8080	*	23-109-4	9414	*	23-79-33
6951	*	23-76-19	7223	*	23-109-4	8310	*	23-108-5		*	23-79-79
6963	*	23-76-51	7235	*	23-109-4	8350	*	23-108-5		*	23-81-3
6964	*	23-76-18	7236	*	23-76-40	8352	*	23-108-16		*	23-84-3
6966	*	23-76-19	7237	*	23-76-45	8381	*	23-108-5		*	23-86-19
6967	*	23-76-18	7238	*	23-76-53	8398	*	23-108-16		*	23-103-10
6968	*	23-76-34	7253	*	23-108-5	8496	*	23-108-19		*	23-108-27
6971	*	23-76-45	7258	*	23-108-16	8498	*	23-108-19	9415	*	23-79-33
6972	*	23-76-40	7259	*	23-108-5	8500	*	23-109-4	9416	*	23-71-6
6974	*	23-76-34	7260	*	23-108-16	8503	*	23-108-5		*	23-76-9
6982	*	23-76-45	7261	*	23-109-36	8506	*	23-109-36		*	23-76-18
6984	*	23-76-40	7262	*	23-109-4	8509	*	23-76-45		*	23-76-35
6985	*	23-108-5	7272	*	23-109-36	8510	*	23-76-40		*	23-84-3
6986	*	23-76-45	7273	*	23-76-40		*	23-76-45		*	23-102-3
6987	*	23-76-40	7274	*	23-76-45	8512	*	23-108-32		*	23-108-27
6990	*	23-76-34	7280	*	23-109-36	8513	*	23-108-16		*	23-108-32
6991	*	23-76-18	7284	*	23-76-19	8516	*	23-76-34		*	23-108-98
6997	*	23-108-5	7315	*	23-76-53	8517	*	23-76-18	9417	*	23-76-10
6998	*	23-76-53	7334	*	23-86-2	8518	*	23-76-19		*	23-81-3
7003	*	23-109-36	7340	*	23-76-40	8561	*	23-109-36		*	23-84-3
7023	*	23-109-4	7341	*	23-76-45	8563	*	23-109-4		*	23-102-3
7025	*	23-109-36	7352	*	23-109-36	8569	*	23-108-5	9418	*	23-108-98
7027	*	23-109-36	7356	*	23-108-5	8574	*	23-109-36		*	23-112-88
7029	*	23-109-4	7405	*	23-109-36	8589	*	23-108-5	9419	*	23-108-84
7031	*	23-109-36	7412	*	23-109-4	8619	*	23-109-4	9420	*	23-71-6
7032	*	23-109-36	7413	*	23-109-4	8620	*	23-109-36		*	23-96-10
7033	*	23-109-36	7416	*	23-109-4	8624	*	23-109-4		*	23-101-3
7034	*	23-109-36	7420	*	23-109-36	8625	*	23-109-36		*	23-108-27
7035	*	23-109-36	7430	*	23-108-16	8627	*	23-109-4	9421	*	23-96-12
7038	*	23-109-4	7434	*	23-108-5	8635	*	23-109-36	9422	*	23-108-98
7042	*	23-109-36	7438	*	23-108-5	8654	*	23-108-5		*	23-112-45
7043	*	23-109-36	7441	*	23-109-36	8664	*	23-76-34	9423	*	23-81-3
7054	*	23-109-36	7450	*	23-109-36	8666	*	23-76-19		*	23-111-6
7056	*	23-109-4	7453	*	23-109-4	8667	*	23-76-34	9424	*	23-76-18
7059	*	23-109-4	7465	*	23-109-36	8668	*	23-76-18		*	23-96-8
7061	*	23-109-36	7478	*	23-108-5	8669	*	23-76-34		*	23-96-21
7063	*	23-109-4	7517	*	23-108-5	8670	*	23-76-18		*	23-108-27
7065	*	23-109-36	7520	*	23-108-16	8676	*	23-76-34	9427	*	23-108-98
7072	*	23-76-18	7598	*	23-108-5	8677	*	23-76-18		*	
7082	*	23-109-36	7641	*	23-109-4	8678	*	23-108-5		*	
7084	*	23-109-4	7664	*	23-79-64	8682	*	23-108-16		*	
7100	*	23-86-3	7669	*	23-79-64	8684	*	23-108-5		*	
7101	*	23-86-3	7686	*	23-109-36	8714	*	23-76-18		*	
7104	*	4-24-69	7691	*	23-108-5	8715	*	23-76-34		*	
7106	*	23-86-3	7694	*	23-108-16	8716	*	23-76-19		*	
7107	*	23-86-3	7697	*	23-109-36	8718	*	23-108-5		*	
7115	*	23-86-3	7699	*	23-109-4	8720	*	23-109-36		*	
7120	*	4-24-69	7702	*	23-108-32	8723	*	23-109-4		*	
	*	23-86-3	7709	*	23-76-45	8730	*	23-109-4		*	
7124	*	4-24-69	7710	*	23-76-40	8738	*	23-76-34		*	
7130	*	23-86-3	7711	*	23-109-36	8739	*	23-76-18		*	

* Includes all color codes.

GROUP 24 - AIR CONDITIONING

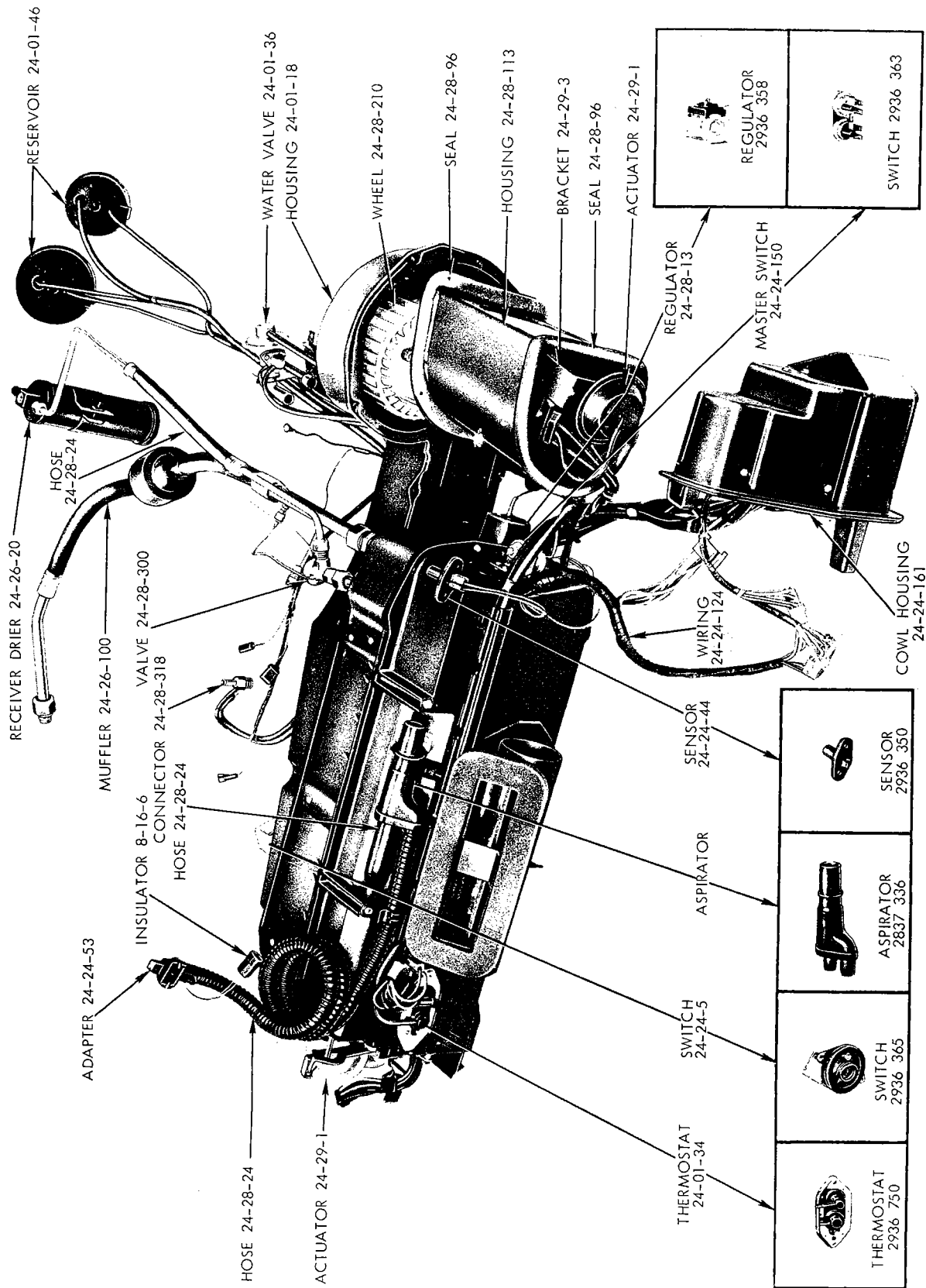


★ NOT SERVICED

PARTS INDICATED
BY NAME ONLY - ORDER
BY DESCRIPTION

19a0319C

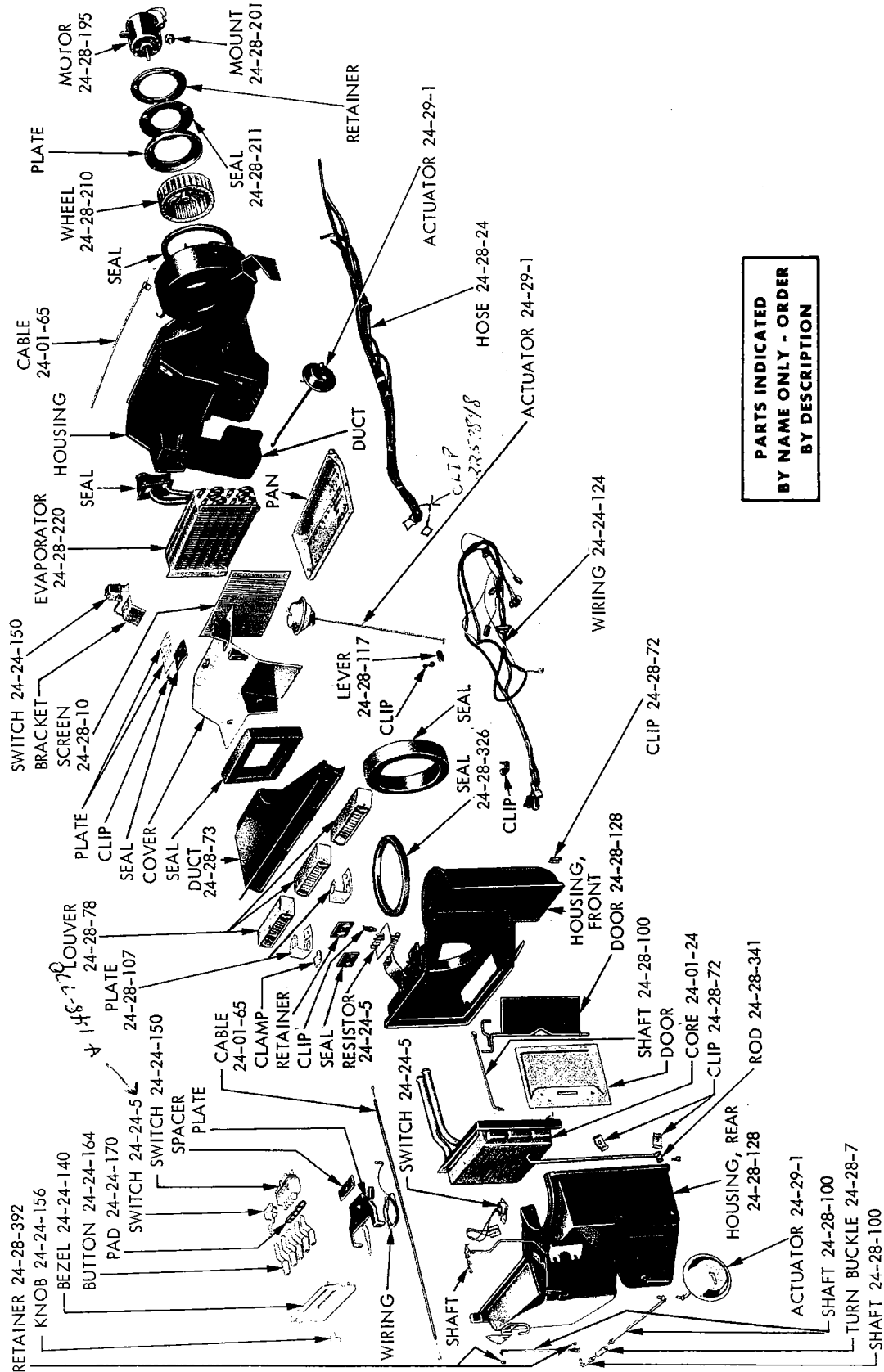
AIR CONDITIONING SYSTEM - VALIANT, DART AND BARRACUDA



19a2708

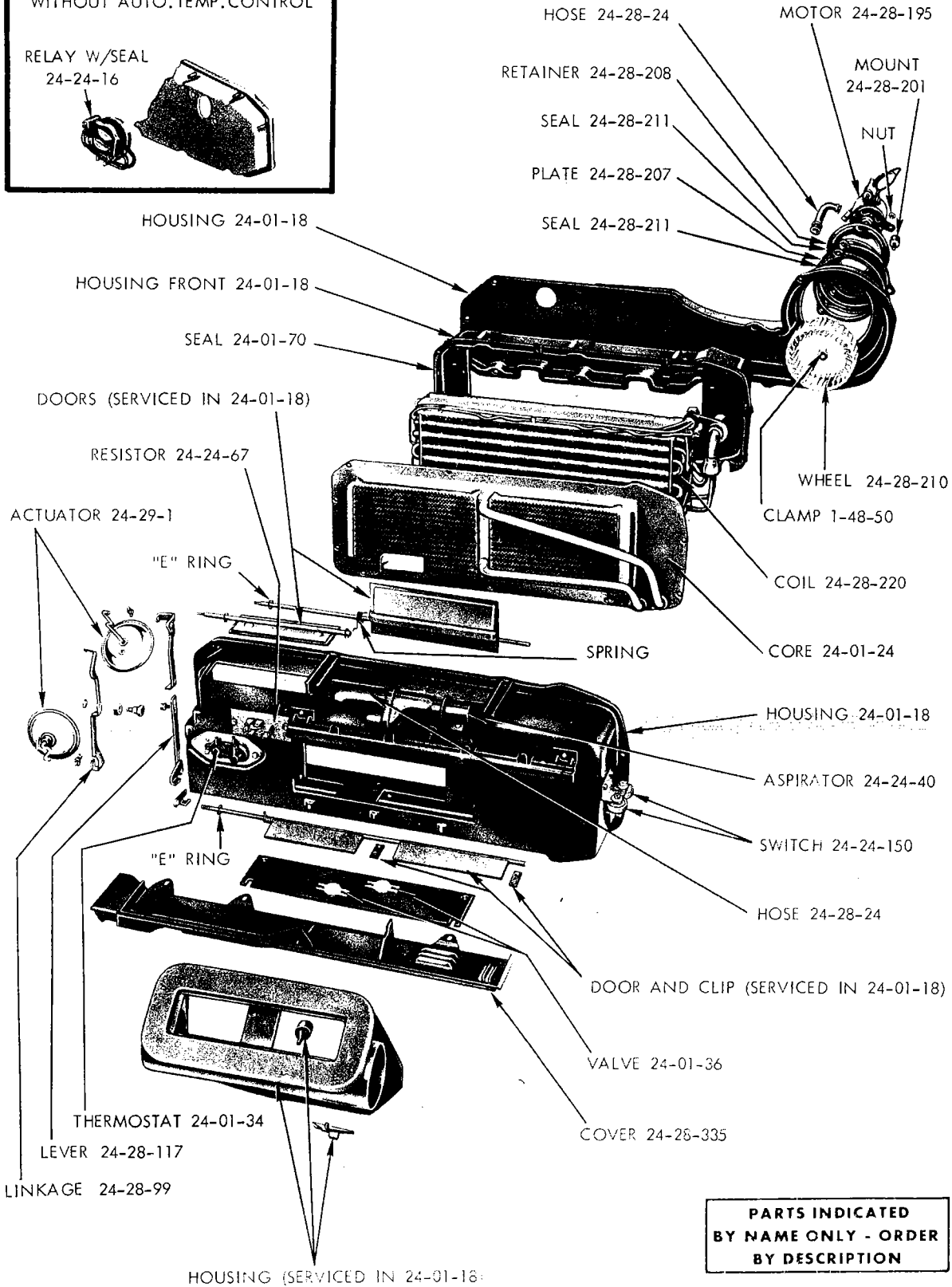
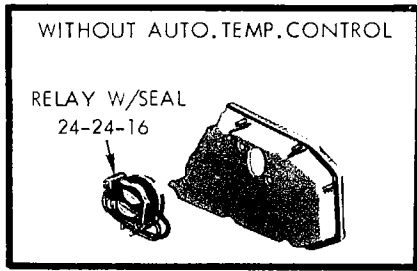
AIR CONDITIONING SYSTEM - PLYMOUTH, DODGE, CHRYSLER AND IMPERIAL (WITH AUTOMATIC TEMP. CONTROL)

19a0308 E



PARTS INDICATED
BY NAME ONLY - ORDER
BY DESCRIPTION

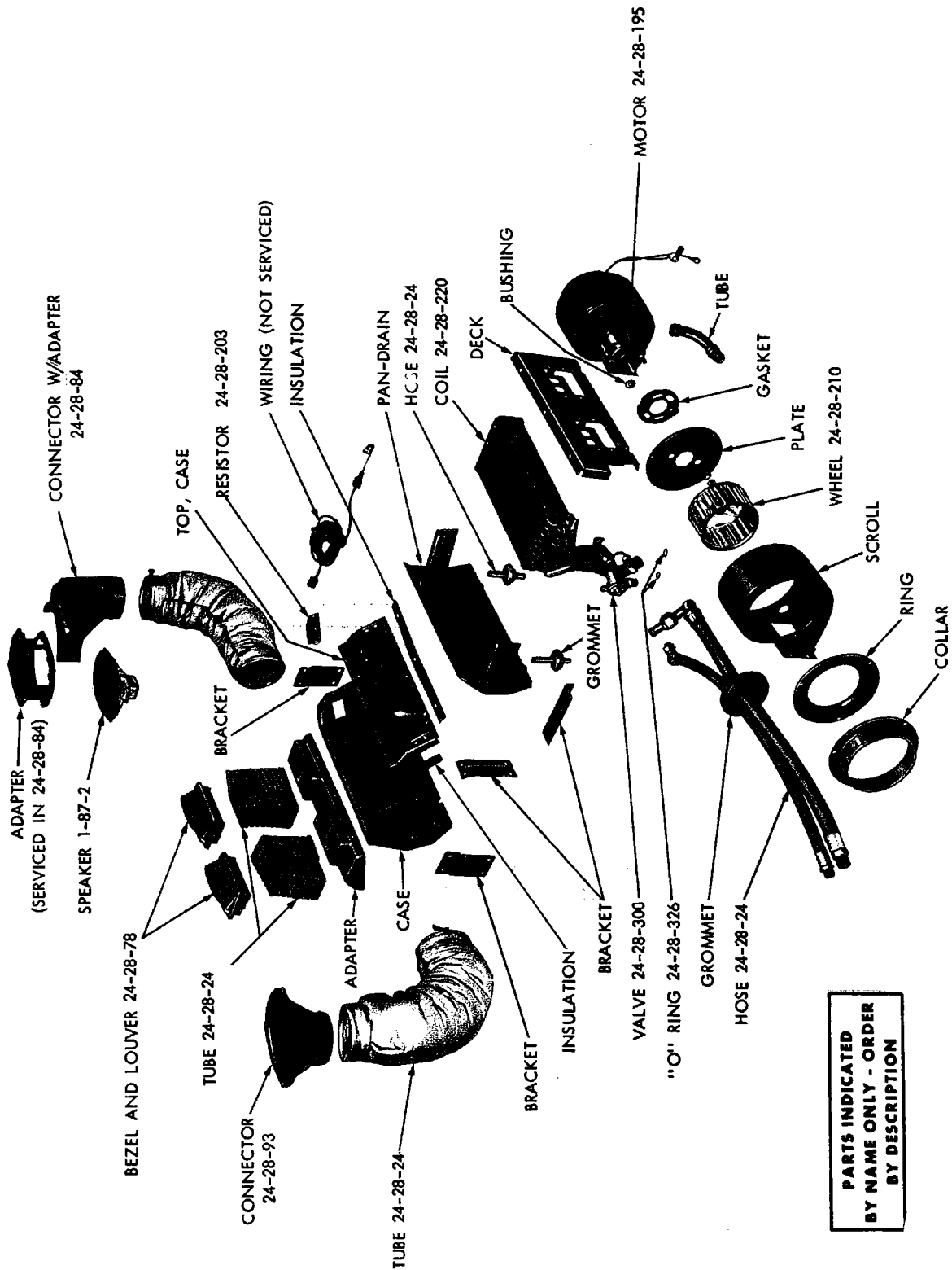
AIR CONDITIONING EVAPORATOR AND HEATER - VALIANT, DART AND BARRACUDA



**PARTS INDICATED
BY NAME ONLY - ORDER
BY DESCRIPTION**

19a2730 A

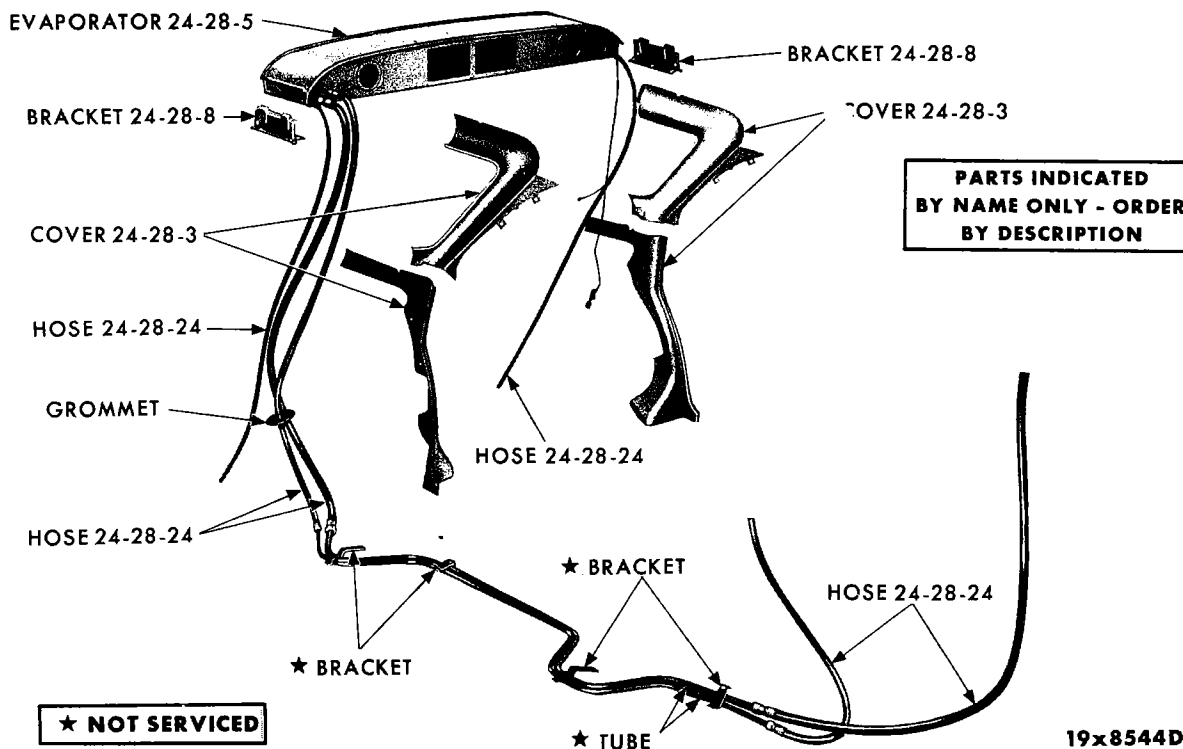
AIR CONDITIONING EVAPORATOR - PLYMOUTH, DODGE, CHRYSLER AND IMPERIAL
WITH AUTOMATIC TEMP. CONTROL



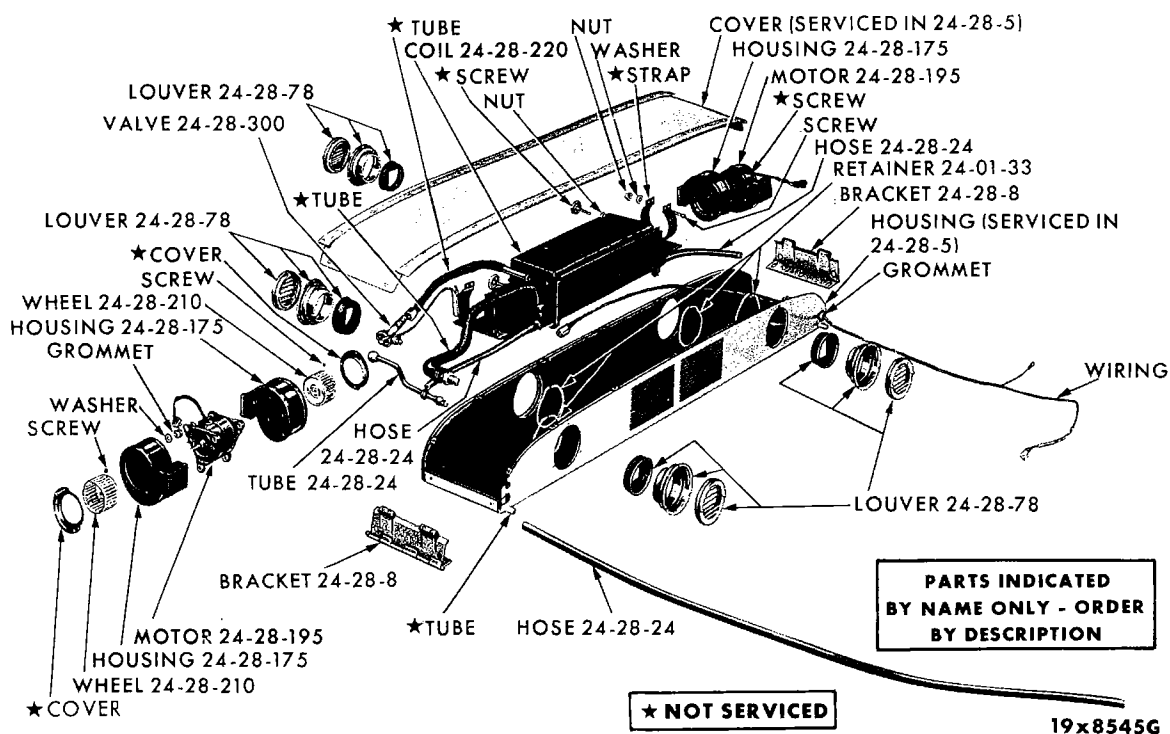
PARTS INDICATED
BY NAME ONLY - ORDER
BY DESCRIPTION

19x9975/C

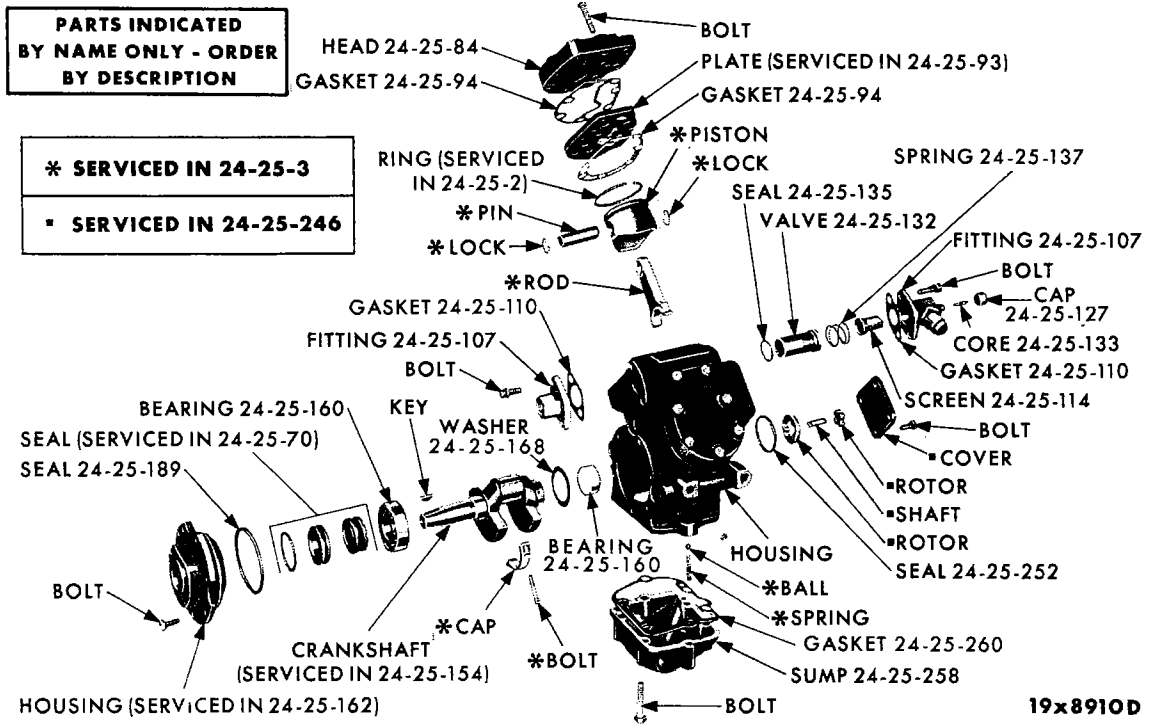
AIR CONDITIONING EVAPORATOR - TRUNK UNIT



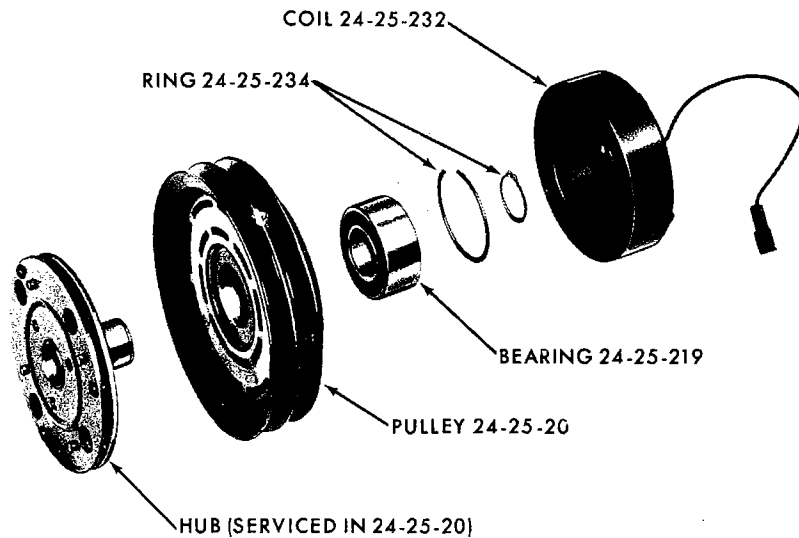
AIR CONDITIONING SYSTEM (ROOF UNIT) - STATION WAGON



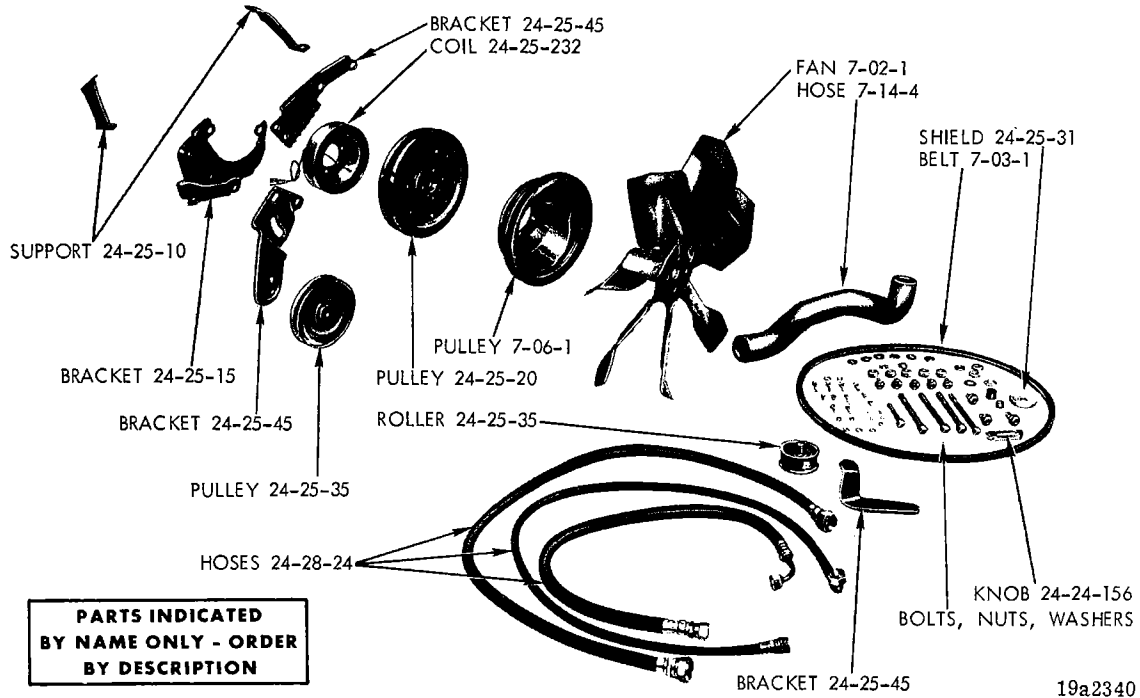
AIR CONDITIONING EVAPORATOR (ROOF UNIT) - STATION WAGON



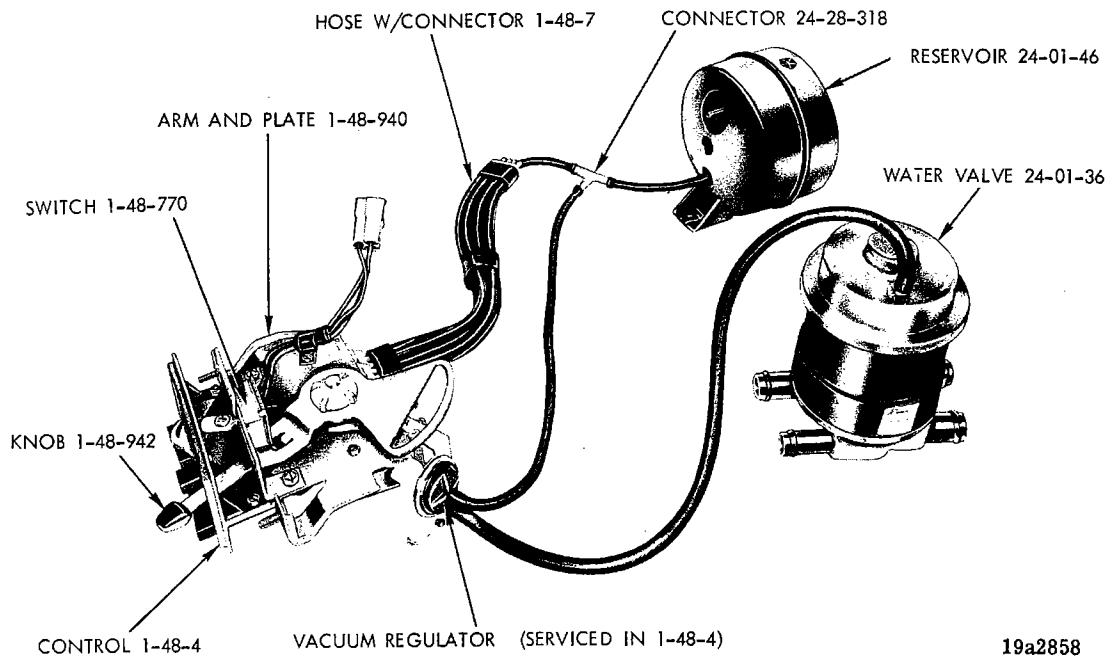
AIR CONDITIONING COMPRESSOR



COMPRESSOR CLUTCH

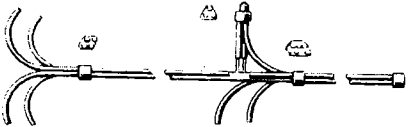
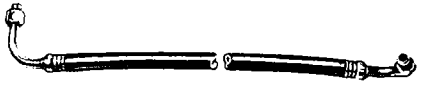
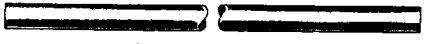
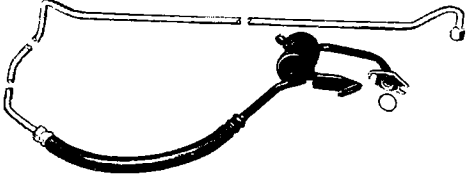
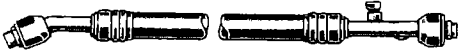
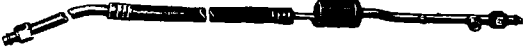









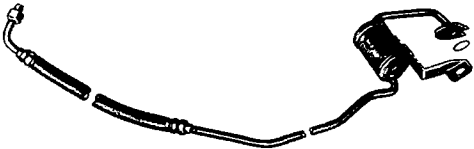
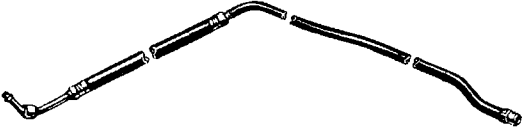



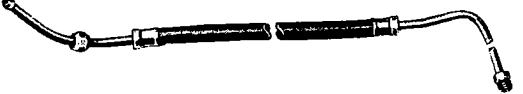







AIR CONDITIONING ADAPTER PACKAGE (MODEL D COOL AIRE) -
273, 318 AND 340 ENGINES



24-24-161

AIR CONDITIONING CONTROLS SYSTEM - PLYMOUTH, DODGE, CHRYSLER AND IMPERIAL


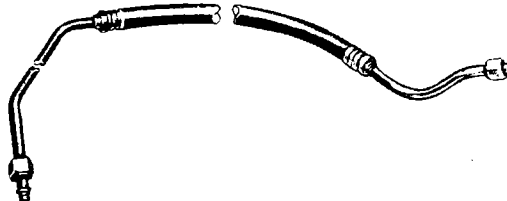


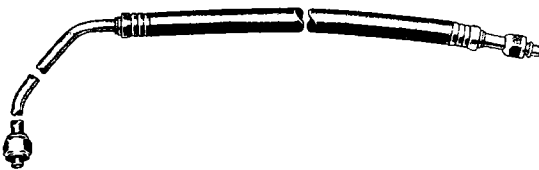
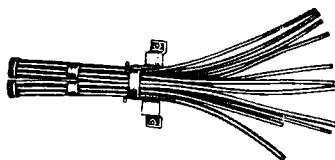
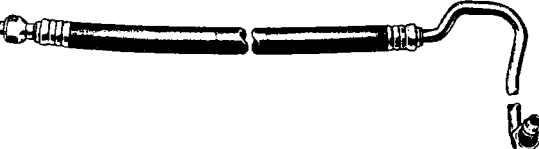


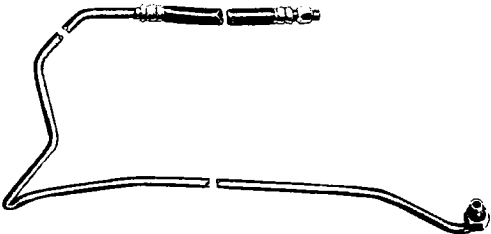
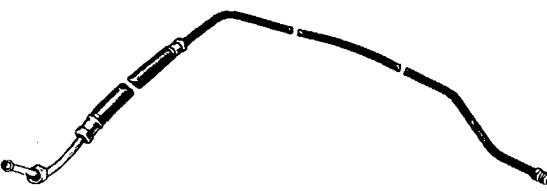
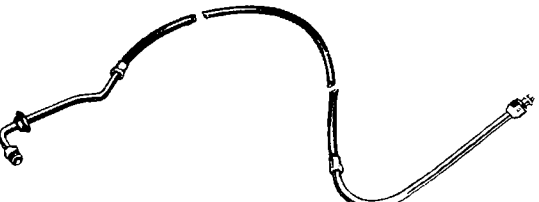

A		N	
B		O	
C		P	
D		Q	
E		R	
F		S	
G		T	
H		U	
I		V	
J		W	
K		X	
L		Y	
M		Z	

19aL2806

AIR CONDITIONING HOSE CHART

AIR CONDITIONING HOSE CHART

TYPE	LOCATION	MODEL APPLICATION	PART NUMBER		
A	Vacuum Control w/Connector	V, B, L	2820 818		
		R, W	2884 036		
		P, D, C	2884 420		
		P, D, C, Y w/ATC	2936 351		
		P, D, C, Y w/ATC	2936 577		
		R, W, P, D, C	2820 820		
B	Heater	P, D, C, Y w/ATC	2837 985		
		V, B, L, R, W, P, D, C, Y	1315 466		
C	Evaporator Unit Drain	Y	2485 820		
		V, B, L	2521 792		
D	Air Distribution	Spot Cooler	Rt.	R, W	2837 644
			Li.	R, W	2837 645
			Rt.	V, B, L	2837 096
			Li.	V, B, L	2837 097
E	Defroster	R, W	2837 730		
		R, W	2521 077		
E	Blower Motor Cooling	R, W	2837 858		
		V, B, L	2521 478		
		P, D, C, Y, w/ATC	2936 370		
		R, W	2837 858		
F	Heater Valve to Core	V, B, L	2521 478		
		P, D, C, Y, w/ATC	2936 370		
G	Aspirator to Unit	D, C, Y, w/ATC	2936 050		
		Y	2936 562		
H	In Car Sensor to Aspirator	Y	2936 562		
		P, D, C, Sta. Wgn.	2936 732		
I	Roof Unit Rear Suction	P, D, C, Sta. Wgn.	2936 889		
		Y	2936 563		
J	Roof Unit Front Suction	Y	2936 563		
		R, W, w/383, 440 Eng.	2936 769		
K	Under Body Liquid w/A. T. C.	P, D, C, Sta. Wgn.	2936 740		
		V, B, L, w/225 Eng.	2936 808		
L	Evaporator to Compressor Suction	V, B, L, w/225 Eng.	2936 808		
		V, B, L, w/273, 318, 340	2936 805		
M	Evaporator to Suction Muffler	V, B, L, w/273, 318, 340	2936 805		
		Y	2936 570		
N	Rear Unit Suction, w/A. T. C.	Y	2936 570		
		R, W, w/383, 440 Eng.	2936 768		
O	Discharge Line	R, W, w/383, 440 Eng.	2936 768		
		P, D, C, Sta. Wgn. w/383, 440 and Y	2936 499		
P	Suction Line	P, D, C, Sta. Wgn. w/383, 440 and Y	2936 499		
		P, D, C	2936 498		
Q	Discharge Line	P, D, C	2936 498		
		Y	2936 742		
R	Discharge Line	Y	2936 742		
		P, D, C, Y	3441 019		
S	Suction Line, Dual Unit	P, D, C, Y	3441 019		
		P, w/225 Eng.	2936 574		
T	Suction Line	P, w/225 Eng.	2936 574		
		P, D, w/318 Eng.	2936 725		
U	Discharge Line	P, D, w/318 Eng.	2936 725		
		R, W, w/225, 318 Eng.	2936 792		
V	Suction Unit to Suction Muffler	R, W, w/225, 318 Eng.	2936 792		
		P, D, C	3441 017		
W	Liquid Line, Dual Unit	P, D, C	3441 017		
		P, D, C	2936 713		
X	Liquid Line	P, D, C	2936 713		
		P, D, C	3441 016		
Y	Liquid Line	P, D, C	3441 016		
		Y	2936 569		
Z	Rear Unit Liquid	Y	2936 569		

AA		II	
BB		JJ	
CC		KK	
DD		LL	
EE		MM	
FF			
GG			
HH			

19aL2807

AIR CONDITIONING HOSE CHART

AIR CONDITIONING HOSE CHART

TYPE	LOCATION	MODEL APPLICATION	PART NUMBER
AA	Condensor to Rec. Drier	R, W	2936 790
BB	Liquid Line, Dual Unit	P, D, C	2936 714
CC	Discharge	V, B, L	2936 788
DD	Discharge Muffler to Condensor	R, W	2936 797
EE	Rec. Drier to Exp. Valve	R, W	2936 791
FF	Roof Unit Front Liquid	P, D, C, Sta. Wgn.	2936 888
GG	Roof Unit Rear Liquid	P, D, C, Sta. Wgn.	2936 730
HH	Extension, Hose and Connector	P, D, C	3431 068
II	Discharge	V, B, L	2936 789
JJ	Condensor to Rec. Drier	V, B, L	2936 781
KK	Extension, Vacuum Hose	P, D, C	3431 055
LL	Vacuum Recirculating	P, D, C, Y	2936 749
MM	Discharge Muffler to Condensor	R, W	2936 796

NOTES

NOTES

CODE	PART NAME	ENG. TYPE OR CU.IN.	V	B	L	R	W	P	D	C	C	C	Y	PART NUMBER
			1-2	1-2	1-2	1-2	1-2	1-2	1-2	1	2	3	1	
24-01-0 AIR CONDITIONING														
NOTE: All Parts Listed as model "C" or "D" in the part name and description column indicates used on field installed units only.														
24-01-1	BASIC PACKAGE Model "C" Cool Comfort		1	1	1	1	1	1	1	1	1	1	—	2027 798
	Model "D" Cool Aire		1	1	1	1	1	1	1	1	1	1	1	2027 805
	ADAPTER PACKAGE Model "C"													
	170		1	1	1	1	1	1	—	—	—	—	—	2027 804
	225		1	1	1	1	1	1	—	—	—	—	—	2027 804
	273		1	1	1	1	1	1	1	—	—	—	—	2027 802
	318		1	1	1	1	1	1	1	—	—	—	—	2027 802
	340		1	1	1	1	1	1	1	—	—	—	—	2027 802
	383		—	—	—	1	1	1	1	1	1	1	—	2027 801
	440		—	—	—	1	1	1	1	1	1	1	—	2027 801
	ADAPTER PACKAGE Model "D"													
	170		1	1	1	—	—	—	—	—	—	—	—	2027 809
	225		1	1	1	—	—	—	—	—	—	—	—	2027 809
	225		—	—	—	1	1	1	—	—	—	—	—	2027 810
	273		1	1	1	1	1	1	1	—	—	—	—	2027 806
	318		1	1	1	1	1	1	1	—	—	—	—	2027 806
	340		1	1	1	1	1	1	1	—	—	—	—	2027 806
	383		—	—	—	1	1	1	1	1	1	1	1	2027 807
	440		—	—	—	1	1	1	1	1	1	1	1	2027 807
	CONDENSER PACKAGE	All	—	—	—	1	1	1	1	1	1	1	1	2027 814
24-01-1	AIR CONDITIONER, Factory Installed Unit, w/Heater		1	1	1	—	—	—	—	—	—	—	—	2837 802
			—	—	—	1	1	—	—	—	—	—	—	2936 466
	w/Vacuum Harness and Auto. Temp. Control		—	—	—	—	—	1	1	1	1	1	1	2936 876
	w/Vacuum Harness and w/o Auto. Temp. Control		—	—	—	—	—	1	1	1	1	1	—	2936 819
24-01-3	SPACER, Mtg. at Dash		—	—	—	5	5	—	—	—	—	—	—	2607 043
24-01-8	NIPPLE, Heater Hose to Pump		1	1	1	—	—	—	—	—	—	—	—	1971 061
24-01-10	RETAINER, A/Cond. and Heater Carpet		—	—	—	1	1	—	—	—	—	—	—	2837 113
24-01-18	HOUSING, A/Cond. and Heater Front		—	—	—	—	—	1	1	1	1	1	1	2936 288
	HOUSING, Front w/A.T.C.		—	—	—	—	—	1	1	1	1	1	1	2936 352
	Unit Rear Complete, W/A.T.C.		—	—	—	—	—	1	1	1	1	1	1	3441 171
	W/OUT A.T.C.		—	—	—	—	—	1	1	1	1	1	—	2936 354
	HOUSING, Only		—	—	—	—	—	1	1	1	1	1	—	2936 238
	Only, Unit Rear		—	—	—	—	—	1	1	1	1	1	—	2936 239
	HOUSING, Rear w/O A.T.C.		—	—	—	—	—	1	1	1	1	1	—	2936 355
	HOUSING, Engine Side, w/Auto. Temp. Control		—	—	—	—	—	1	1	1	1	1	1	3441 162
	HOUSING, Heater	Fr.	1	1	1	—	—	—	—	—	—	—	—	2936 288
		Rr.	1	1	1	—	—	—	—	—	—	—	—	2837 803
24-01-24	CORE, A/Cond. and Heater, Heater		1	1	1	—	—	—	—	—	—	—	—	2521 563
	CORE, A/Cond. and Heater, Heater		—	—	—	1	1	—	—	—	—	—	—	2277 535
			—	—	—	—	—	1	1	1	1	1	1	2837 419
24-01-26	SEAL, A/Cond. and Heater, Heater Core Tube to Dash		1	1	1	—	—	—	—	—	—	—	—	2932 921
	SEAL, Heater Core to Heater Temp. Door Shaft		1	1	1	—	—	—	—	—	—	—	—	2485 134
	SEAL, A/Cond. and Heater, A.T.C. Core Tubes to Dash		—	—	—	—	—	1	1	1	1	1	1	2277 648
24-01-30	RETAINER, A/Cond. and Heater, Heater Core Tube Seal to Hsg.		1	1	1	—	—	—	—	—	—	—	—	2485 134
24-01-31	SLEEVE, Valve to Pump		—	—	—	—	—	AR	AR	—	—	—	AR	2485 135
24-01-33	RETAINER, Roof Unit Louver to Adapter		—	—	—	—	—	4	4	4	4	4	—	2127 280
24-01-34	THERMOSTAT, Water Valve, w/Auto. Temp. Control		—	—	—	—	—	1	1	1	1	1	1	1689 670
			—	—	—	—	—	1	1	1	1	1	1	2936 750

TYPE LETTERS Indicates B - Barracuda V - Valiant L - Dart R - Belvedere W - Coronet P - Plymouth D - Dodge C - Chrysler Y - Imperial

AR Indicates use as required. Numerals in parentheses () refer to notes. Printed in U.S.A. # Indicates parts not listed in any previous parts book. ★ Indicates change or addition. January 1971

CODE	PART NAME	ENG. TYPE OR CU.IN.	V	B	L	R	W	P	D	C	C	C	Y	PART NUMBER
			1-2	1-2	1-2	1-2	1-2	1-2	1-2	1	2	3	1	
24-01-0	AIR CONDITIONING Cont'd.													
24-01-35	LEVER, A/Cond. and Heater Door Shaft Water Valve Link		—	—	—	1	1	—	—	—	—	—	—	2521 243
24-01-36	VALVE, Water, w/o Bracket		—	—	—	1	1	—	—	—	—	—	—	2521 240
	VALVE, Temp. Control, w/BRACKET.		—	—	—	1	1	—	—	—	—	—	—	2837 845
	VALVE, Water, w/o Auto. Temp.		—	—	—	—	—	—	1	1	1	1	—	2936 490
	VALVE, Water, w/out Auto. Temp. Control w/Auto. Temp. Control		—	—	—	—	—	—	1	1	1	1	—	2936 495
	Vacuum Check, 4 Port, w/Auto. Temp. Control		—	—	—	—	—	—	1	1	1	1	1	2820 880
24-01-38	ROD, Water Valve Control		—	—	—	1	1	—	—	—	—	—	—	2521 246
24-01-39	SEAL, Temp. Control Valve at Dash		—	—	—	1	1	—	—	—	—	—	—	2607 025
24-01-40	CLIP, Water Valve Control Rod Mtg. at Shaft		—	—	—	1	1	—	—	—	—	—	—	2465 560
24-01-41	RETAINER, Check Valve and Vacuum Hose, w/Auto. Temp. Control		—	—	—	—	—	—	1	1	1	1	1	2936 559
24-01-45	POTENTIOMETER and CABLES		—	—	—	—	—	—	—	1	1	1	1	2884 533
	POTENTIOMETER, w/THUMBWHEEL and Mtg. BRACKET		—	—	—	—	—	—	—	1	—	—	—	2864 628
24-01-46	RESERVOIR, Slave Circuit Vacuum	225	—	—	—	—	—	—	—	1	—	—	—	2884 357
	Control Circuit Vacuum, w/Auto. Temp. Control		—	—	—	—	—	—	—	1	—	—	—	2936 371
			—	—	—	—	—	—	—	1	1	1	1	2936 450
24-01-52	INSULATOR		—	—	—	—	—	—	—	1	1	1	1	2837 314
24-01-65	CABLE, w/CLAMP, Evaporator Temp. Control		1	1	1	—	—	—	—	—	—	—	—	2770 859
24-01-66	RETAINER, Temp. Control Cable Bottom		1	1	1	—	—	—	—	—	—	—	—	2197 678
	Top		1	1	1	—	—	—	—	—	—	—	—	2197 678
	To Rod		1	1	1	—	—	—	—	—	—	—	—	2197 678
	Air Inlet Door Vacuum Actuator Rod Automatic Temp. Control Thumbwheel		2	2	2	—	—	—	—	—	—	—	—	2197 678
24-01-67	DOOR, A/Cond. and Heater, Heater Temp. Control		1	1	1	—	—	—	—	—	—	—	—	2197 678
24-01-70	SEAL, Frt. Hsg. to Dash		—	—	—	—	—	—	1	1	1	1	1	2521 548
	Eng. Side Hsg. to Dash		—	—	—	—	—	—	1	1	1	1	1	2936 233
	SEAL, Engine Side Housing to Dash, Bottom		—	—	—	—	—	—	1	1	1	1	1	3441 060
	SEAL, RR. Housing To Front Housing		—	—	—	—	—	—	1	1	1	1	1	3441 061
24-01-87	NIPPLE, Eng. to Heater Hose		1	1	1	—	—	—	—	—	—	—	—	2936 240
	Hose to Pump		—	—	—	1	1	—	—	—	—	—	—	1971 061
	Heater Hose Pump	225	—	—	—	—	—	—	—	—	—	—	—	1971 061
		318	—	—	—	—	—	—	1	1	—	—	—	1971 061
	Heater Hose Pump	383	—	—	—	—	—	—	1	1	1	1	1	2936 757
		440	—	—	—	—	—	—	1	1	1	1	1	2936 757

24-24-0 CONTROL

24-24-5	SWITCHES	<i>ALSO SEE 1-48-770</i>												
	Rear Blower Motor, Sta. Wgn. only		—	—	—	—	—	—	—	1	1	—	—	2864 440
	Rear Blower Motor, Sta. Wgn. only		—	—	—	—	—	—	—	1	—	—	—	2864 498
	Rear Blower Motor		—	—	—	—	—	—	—	—	1	1	—	2864 440
	Blower Motor		—	—	—	1	1	—	—	—	—	—	—	2864 821
	Blower Motor		—	—	—	—	—	—	—	1	—	—	—	2884 258
	Ambient, w/Auto. Temp. Control		—	—	—	—	—	—	1	1	1	1	—	2936 365
	Blower		1	1	1	—	—	—	—	—	—	—	—	2864 591
	Blower, w/Auto Temp. Control		—	—	—	—	—	—	—	—	—	—	1	2947 258
	BLOWER, W/Resistor, Model "C"		1	1	1	1	1	1	1	1	1	1	1	2013 218
	BLOWER, Model "D"		1	1	1	1	1	1	1	1	1	1	1	2870 255
	Terminal, Blower Mtr. Ground		—	—	—	—	—	—	—	—	1	1	1	200 393

TYPE LETTERS Indicates

B - Barracuda

V - Valiant
L - DartR - Belvedere
W - CoronetP - Plymouth
D - DodgeC - Chrysler
Y - Imperial

AR Indicates use as required.

Indicates parts not listed in any previous parts book.

Numerals in parentheses () refer to notes.

★ Indicates change or addition.

Printed in U.S.A.

January 1971

CODE	PART NAME	ENG. TYPE OR CU.IN.	V	B	L	R	W	P	D	C	C	C	Y	PART NUMBER
			1-2	1-2	1-2	1-2	1-2	1-2	1-2	1	2	3	1	
24-24-0	CONTROL Cont'd.													
24-24-7	HOLDER, Fuse												1	1885 608
24-24-13	RETAINER, A/Cond. and Heater Evaporator Temp. Control Cable to Switch		1	1	1									2197 678
	RETAINER, A/Cond. and Heater Blower Switch Link					1	1	1	1					2197 678
24-24-16	RELAY and SEAL, A/Cond. and Heater Vacuum Time Delay					1	1	1	1	1	1	1		2936 666
24-24-39	CONTROL, A/Cond. and Heater (also use 1 of 2820 487)		1	1	1									2884 108
	CONTROL PACKAGE					1	1							2932 974
24-24-40	ASPIRATOR, w/Auto. Temp. Control					1	1							2932 974
24-24-44	SENSOR, Ambient, w/Auto. Temp. Control							1	1	1	1	1	1	2837 336
24-24-45	GASKET, Ambient Sensor Sealing, w/Auto. Temp. Control							1	1	1	1	1	1	2936 350
24-24-53	ADAPTER, in Car Sensor, w/Auto Temp. Control							1						2837 374
									1					2936 479
									1					2936 480
										1	1	1	1	2936 481
24-24-55	INSULATOR, In Car Sensor Term.							1	1	1	1	1	1	2770 859
24-24-67	RESISTOR, A/Cond. and Heater Blower Motor					1	1							2837 813
	w/o Auto. Temp. Control							1	1	1	1	1		2936 278
	w/Auto. Temp. Control							1	1	1	1	1	1	2936 357
24-24-124	WIRING, Air Conditioning		1											2857 837
			1	1										2889 037
						1	1							2889 390
								1						2983 107
									1					2983 139
										1	1	1		2926 415
	w/Auto. Temp. Control							1	1	1	1	1	1	2926 272
	WIRING, Control Jumper, w/Auto. Temp. Control							1						2983 101
									1					2983 138
										1	1	1		2926 758
24-24-140	BEZEL								1					2927 082
	Inst. Panel A/Cond., Spot Cooler w/LENS and SEAL, w/Auto. Temp Control									1				2884 355
	w/Auto. Temp. Control									1				2884 118
	w/Auto. Temp. Control										1	1	1	2884 232
	w/Auto. Temp. Control												1	2884 320
	Rear A/Cond. Switch							1						2947 040
	Rear Air, Switch, Clock and A/Cond. Clock, w/A/Cond.													2927 349
														2927 350
	Rear Fan, Rear Heater Switch, w/A/Cond.												1	2927 348
	A/Cond. Control		1											2864 538
						1	1							2884 576
	Rear A/Cond. Switch, D-L, D-H Sta. Wgn. BEZEL, SpotCooler								1					2947 182
	Blue									2	2	2	2	4483 EB9
	Briar									2	2	2	2	4483 EE9
	Green									2	2	2	2	4483 EF9
	Tan									2	2	2	2	4483 ET9
	Burgundy									2	2	2	2	4483 EM9
	Black									2	2	2	2	4483 EX9

TYPE LETTERS Indicates B - Barracuda V - Valiant L - Dart R - Belvedere W - Coronet P - Plymouth D - Dodge C - Chrysler Y - Imperial

AR Indicates use as required. Numerals in parentheses () refer to notes. Printed in U.S.A.
Indicates parts not listed in any previous parts book. ★ Indicates change or addition. January 1971

CODE	PART NAME	ENG. TYPE OR CU.IN.	V	B	L	R	W	P	D	C	C	C	Y	PART NUMBER
			1-2	1-2	1-2	1-2	1-2	1-2	1-2	1	2	3	1	
24-24-0 CONTROL Cont'd.														
24-24-140	BEZEL Cont'd.													
	Turquoise		—	—	—	—	—	—	—	2	2	2	2	4483 EQ8
	Red		—	—	—	—	—	—	—	2	2	2	2	4483 ER8
	Tan		—	—	—	—	—	—	—	2	2	2	2	4483 ET8
	Gold		—	—	—	—	—	—	—	2	2	2	2	4483 EY8
24-24-150	SWITCH													
	A/Cond. and Heater Control Push Button		1	1	1	1	1	1	—	1	1	1	—	3431 020
	A/Cond. and Heater Evaporator Temp. Control		1	1	1	—	—	—	—	—	—	—	—	2837 223
	PUSH BUTTON, P,C,Y, w/Auto. Temp. Control		—	—	—	—	—	1	1	1	1	1	1	3431 019
	SWITCH and CABLE, Push Button Vacuum, w/Auto. Temp. Control		—	—	—	—	—	—	1	—	—	—	—	2884 469
	PUSH BUTTON Clutch, w/Auto. Temp. Control		—	—	—	1	1	—	—	—	—	—	—	3431 017
	Master, w/Auto. Temp. Control		—	—	—	—	—	1	1	1	1	1	1	2837 386
	Recirculating Vacuum, w/Auto. Temp. Control		—	—	—	—	—	1	1	1	1	1	1	2837 382
	Master, Clutch and Bracket, w/Auto. Temp. Control		—	—	—	—	—	1	1	1	1	1	1	2936 754
	Master, Clutch and Bracket, w/Auto. Temp. Control		—	—	—	—	—	1	1	1	1	1	1	2936 363
24-24-151	COVER, Inst. Panel Spot Cooler Bezel Opening		—	—	—	—	—	—	1	—	—	—	—	2927 776
24-24-154	BRACKET, Switch Mounting, w/Auto. Temp. Control		—	—	—	—	—	—	1	1	1	1	1	2936 364
24-24-155	PLATE, Mounting, A/Cond. and Dual A/Cond. w/Auto. Temp. Control		—	—	—	—	—	—	—	1	1	1	1	2884 231
24-24-156	KNOB		—	—	—	—	—	—	—	1	1	1	1	2884 418
	A/Cond. and Heater Temp. Control THUMBWHEEL, A/Cond. and Heater, w/Auto. Temp. Control		—	—	—	—	—	—	1	—	—	—	—	2884 209
			—	—	—	—	—	—	1	—	—	—	—	2884 119
			—	—	—	—	—	—	—	1	1	1	—	2884 239
	KNOB Model "D"		2	2	2	2	2	2	2	2	2	2	2	2631 507
24-24-159	REGULATOR, A/Cond. and Heater Control Vacuum w/o ATC		—	—	—	—	—	—	1	—	—	—	—	2884 333
			—	—	—	—	—	—	—	1	1	1	—	2884 368
24-24-161	CONTROL, A/Cond. and Heater Unit, w/Auto. Temp. Control		—	—	—	—	—	—	1	1	1	1	1	2936 042
	CONTROL, Auto. Temp. on Inst. Panel		—	—	—	—	—	—	1	—	—	—	—	2884 341
			—	—	—	—	—	—	—	1	—	—	—	2884 354
	CONTROL, A/Cond. and Heater, w/o Auto. Temp. Control		—	—	—	—	—	—	—	1	—	—	—	2884 349
	CONTROL, A/Cond. and Heater Vacuum Regulator		—	—	—	—	—	—	—	1	—	—	—	2884 277
	w/Auto. Temp. Control		—	—	—	—	—	—	—	1	1	1	—	2884 373
	W/A.T.C.		—	—	—	—	—	—	—	—	—	—	1	# 2884 372
24-24-164	EXTENSION and COVER													
	Off		1	1	1	—	—	—	—	—	—	—	—	2864 858
	Max. A/C		1	1	1	—	—	—	—	—	—	—	—	2864 859
	Air Condition		1	1	1	—	—	—	—	—	—	—	—	2864 860
	Heat		1	1	1	—	—	—	—	—	—	—	—	2864 861
	Defrost		1	1	1	—	—	—	—	—	—	—	—	2864 862
	EXTENSION, Push Button													
	Off		—	—	—	1	1	—	—	—	—	—	—	2884 741
	Max. A/C		—	—	—	1	1	—	—	—	—	—	—	2884 740
	Air Condition		—	—	—	1	1	—	—	—	—	—	—	2884 739
	Heat		—	—	—	1	1	—	—	—	—	—	—	2884 738
	Defrost		—	—	—	1	1	—	—	—	—	—	—	2884 737

TYPE LETTERS Indicates

B - Barracuda

V - Valiant
L - DartR - Belvedere
W - CoronetP - Plymouth
D - DodgeC - Chrysler
Y - Imperial

AR Indicates use as required.

Indicates parts not listed in any previous parts book.

Numerals in parentheses () refer to notes.

★ Indicates change or addition.

Printed in U.S.A.
January 1971

CODE	PART NAME	ENG. TYPE OR CU.IN.	V	B	L	R	W	P	D	C	C	C	Y	PART NUMBER
			1-2	1-2	1-2	1-2	1-2	1-2	1-2	1	2	3	1	
24-24-0 CONTROL Cont'd.														
24-24-164	EXTENSION and COVER Cont'd.													
	Temp.				1	1								2884 735
	Fan				1	1								2884 734
	EXTENSION, Push Button, w/o Auto.													
	Temp. Control													
	Off							1						2884 251
	Max. A/C							1						2884 252
	Air Condition							1						2884 253
	Heat							1						2884 254
	Defrost							1						2884 255
	w/Auto. Temp. Control													
	Off							1						2884 121
	Auto							1						2884 122
	Hi Auto							1						2884 123
	Defrost							1						2884 124
	Hi Defrost							1						2884 125
	EXTENSION, Push Button, w/o Auto.													
	Temp. Control													
	Off								1					2884 260
	Max. A/C								1					2884 261
	Air Condition								1					2884 468
	Defrost								1					2884 263
	EXTENSION, Push Button, w/Auto.													
	Temp. Control													
	Off								1					2884 215
	Auto								1					2884 216
	Hi Auto								1					2884 217
	Defrost								1					2884 218
	Hi Defrost								1					2884 219
	EXTENSION and COVER, w/o Auto.													
	Temp. Control													
	Off									1	1	1		2884 383
	Max. A/C									1	1	1		2884 384
	Air Condition									1	1	1		2884 385
	Heat									1	1	1		2884 386
	Defrost									1	1	1		2884 387
	EXTENSION and COVER, w/Auto.													
	Temp. Control													
	Off									1	1	1		2884 390
	Auto.									1	1	1		2884 391
	Hi Auto									1	1	1		2884 392
	Defrost									1	1	1		2884 393
	Hi Defrost									1	1	1		2884 394
	EXTENSION and COVER													
	Off												1	2884 457
	Auto												1	2884 458
	Hi Auto												1	2884 459
	Defrost												1	2884 460
	Hi Defrost												1	2884 461
24-24-167	LAMP, A/Cond. and Heater Control		1	1	1									2864 842
						1	1							2884 575
	Auto. Temp. Control Mtg.								1					2884 214
	Auto. Temp. Control Thumbwheel w/BRACKET								1					2884 449
	Lamp, w/Socket								1					2884 265
24-24-169	LIGHTSHIELD, A/Cond. and Heater Control		1	1	1									2864 867
24-24-170	PAD, Push Button Control			1										2884 489
			1		1									2864 600
										1	1	1	1	2884 240

TYPE LETTERS Indicates V - Valiant R - Belvedere P - Plymouth C - Chrysler
 B - Barracuda L - Dart W - Coronet D - Dodge Y - Imperial

AR Indicates use as required. Numerals in parentheses () refer to notes. Printed in U.S.A.
 # Indicates parts not listed in any previous parts book. ★ Indicates change or addition. January 1971

CODE	PART NAME	ENG. TYPE OR CU.IN.	V	B	L	R	W	P	D	C	C	C	Y	PART NUMBER
			1-2	1-2	1-2	1-2	1-2	1-2	1-2	1	2	3	1	
24-24-0 CONTROL Cont'd.														
24-24-177	SLIDER, A/Cond. and Heater Control									1				2884 259
		Temp.	—	—	—	—	—	—	—	1	—	—	—	2884 205
		Fan	—	—	—	—	—	—	—	1	—	—	—	
24-24-183	PUSH NUT, Auto. Temp. Control										1	1	1	2197 678
	Gear Retainer		—	—	—	—	—	—	—	—	1	1	1	
24-24-184	COVER, Ventilation	Rt.	—	—	—	—	—	—	1	1	1	1	1	# 2936 860

24-25-0 COMPRESSOR

NOTE: Part No. of Compressor

Located on Identification Tag.

24-25-2	PISTON RING PACKAGE		AR	AR	AR	AR	AR	AR	AR	AR	AR	AR	AR	2275 207
24-25-3	PISTON and CONNECTING ROD PACKAGE													
	V2 Compressor		AR	AR	AR	AR	AR	AR	AR	AR	AR	AR	AR	2932 972
	RV2 Compressor		AR	AR	AR	AR	AR	AR	AR	AR	AR	AR	AR	2541 330
24-25-5	COMPRESSOR'S V2, Replaces Production													
	Part No's. 2951193, 2951194, 2951195, 2951220, 2951268, 2951271, 2953349, 2953568, 2953588, 3462019, 2960782, 2941998, 3462350, 3462419, 3462420, 2961920, 3462919, 3462920, 3462998, 3512062, 3491270, 3491271, 3484252, PER NOTE		1	1	1	1	1	1	1	—	—	—	—	2941 872
	RV2, Replaces Production Part No's. 2951269, 2951270, 3462005, 3462020, 3462021, 3462351, 3462352, PER NOTE		—	—	—	—	—	—	1	1	1	1	1	2941 875
24-25-8	LUBRICANT, Compressor, 1 Quart MS3015		AR	AR	AR	AR	AR	AR	AR	AR	AR	AR	AR	1450 769
24-25-10	SUPPORT, A/Cond. Compressor Mtg.													
		Rr.	225	1	1	1	—	—	—	—	—	—	—	2806 812
			225	—	—	—	1	1	—	—	—	—	—	2465 074
			225	—	—	—	—	—	1	—	—	—	—	2946 134
		Rt.	225	1	1	1	—	—	1	—	—	—	—	2806 152
			225	—	—	—	1	1	—	—	—	—	—	2264 867
	SUPPORT, A/Cond. Compressor Side w/65 Amp. Compact Leece-Neville Alternator	Lt.	318	—	—	—	1	1	1	1	—	—	—	2536 084
	SUPPORT, A/Cond. Compressor													
		Rt.	273	1	—	1	—	—	—	—	—	—	—	2463 403
			318	1	1	1	1	1	1	—	—	—	—	2463 403
			340	—	1	1	—	—	—	—	—	—	—	2463 403
		Lt.	273	1	—	1	—	—	—	—	—	—	—	2536 083
			319	1	1	1	1	1	1	—	—	—	—	2536 083
			340	—	1	1	—	—	—	—	—	—	—	2536 083
	SUPPORT, A/Cond. Compressor													
		Rr., Rt.	383	—	—	—	1	1	1	1	1	1	—	2899 576
		Rr. Lt.	383	—	—	—	1	1	1	1	1	1	—	2899 577
	SUPPORT, A/Cond. Compressor													
		Rr., Rt.	440	—	—	—	1	1	—	—	—	—	—	2899 528
	Sta. Wgn.		440	—	—	—	—	—	1	1	1	1	—	2899 528
			440	—	—	—	—	—	—	1	1	1	1	2899 528
		Rr., Lt.	440	—	—	—	1	1	—	—	—	—	—	2899 529
	Sta. Wgn.		440	—	—	—	—	—	1	1	1	1	—	2899 529
			440	—	—	—	—	—	—	1	1	1	1	2899 529

TYPE LETTERS Indicates

B - Barracuda

V - Valiant
L - DartR - Belvedere
W - CoronetP - Plymouth
D - DodgeC - Chrysler
Y - Imperial

AR Indicates use as required.

Indicates parts not listed in any previous parts book.

Numerals in parentheses () refer to notes.

★ Indicates change or addition.

Printed in U.S.A.

January 1971

CODE	PART NAME	ENG. TYPE OR CU.IN.	V	B	L	R	W	P	D	C	C	C	Y	PART NUMBER
			1-2	1-2	1-2	1-2	1-2	1-2	1-2	1	2	3	1	
24-25-0 COMPRESSOR Cont'd.														
24-25-10	SUPPORT Cont'd.													
	SUPPORT, A/Cond. Compressor Mtg.													
	Model "C" And "D"													
	RR. Right		1	1	1	1	1	1	1	—	—	—	—	2968 344
	RR. Left		1	1	1	1	1	1	1	—	—	—	—	2946 134
	RR. Right	273	1	1	1	1	1	1	1	—	—	—	—	2463 403
		318	1	1	1	1	1	1	1	—	—	—	—	2463 403
		340	1	1	1	1	1	1	1	—	—	—	—	2463 403
		383	—	—	—	1	1	1	1	1	1	1	1	2899 576
		440	—	—	—	1	1	1	1	1	1	1	1	2899 528
	RR. Left	273	1	1	1	1	1	1	1	—	—	—	—	2772 097
		318	1	1	1	1	1	1	1	—	—	—	—	2772 097
		340	1	1	1	1	1	1	1	—	—	—	—	2772 097
		383	—	—	—	1	1	1	1	1	1	1	1	2899 577
		440	—	—	—	1	1	1	1	1	1	1	1	2899 529
24-25-13	SPACER, Compressor Rear Bracket Mtg.													
	Bolt, Model "C" and "D"		1	1	1	1	1	1	1	—	—	—	—	2120 609
24-25-15	BRACKET, A/Cond. Compressor Mtg.													
	Rr.	273	1	—	1	—	—	—	—	—	—	—	—	2463 149
		318	1	1	1	1	1	1	1	—	—	—	—	2463 149
		340	—	1	1	—	—	—	—	—	—	—	—	2463 149
	Frnt.	273	1	—	1	—	—	—	—	—	—	—	—	2806 687
		318	1	1	1	1	1	1	1	—	—	—	—	2806 687
		340	—	1	1	—	—	—	—	—	—	—	—	2806 687
	BRACKET, Compressor Mtg.													
	Frnt.	225	1	1	1	—	—	1	—	—	—	—	—	2468 809
		225	—	—	—	1	1	—	—	—	—	—	—	2264 865
	w/65 Amp. Compact Leece-Neville Alternator only													
	Frnt.	318	—	—	—	1	1	1	1	—	—	—	—	2264 215
	FRT.	383	—	—	—	1	1	1	1	1	1	1	1	2899 526
		440	—	—	—	1	1	1	1	1	1	1	1	2899 526
	Rr.	440	—	—	—	1	1	1	1	1	1	1	1	2899 961
	BRACKET, Compressor Mtg.													
	Rr.	383	—	—	—	1	1	1	1	1	1	1	—	2951 809
	FRT.		—	—	—	1	1	1	1	1	1	1	1	2968 330
24-25-20	PULLEY and HUB													
	Double Groove	5 3/4 O. D.												2936 761
	Single Groove	6 5/8" O.D.	225	1	1	1	1	1	1	—	—	—	—	2521 824
		7 1/4" O.D.		1	1	1	1	1	1	—	—	—	—	2521 963
	5 3/8" O.D. Double Groove, Pitts Type													
		383							1	1	1	1	1	2936 761
		440							1	1	1	1	1	2837 163
	Double Groove	5 3/8" O.D.		1	1	1	1	1	1	1	1	1	1	
		6 1/4" O.D.	383											2936 767
		440		—	—	—	1	1	—	—	—	—	—	2521 923
		7 1/4" O.D.	318	—	—	—	1	1	1	1	—	—	—	2202 794
24-25-25	PULLEY, Compressor Drive													
	Warner-Double Groove													
	5 1/2" O.D., 383 and 440 Eng.								1	1	1	1	1	2837 163
	Model "C" and "D"								1	1	1	1	1	2202 794
24-25-31	SHIELD, Idler Pulley Brg.													2658 758
24-25-35	PULLEY, Compressor Idler													
	Model "C" and "D"													
		170	1	1	1	1	1	1	1	—	—	—	—	2203 031
		225	1	1	1	1	1	1	1	—	—	—	—	2203 031
		273	1	1	1	1	1	1	1	1	1	1	1	2004 766
		318	1	1	1	1	1	1	1	1	1	1	1	2004 766
		340	1	1	1	1	1	1	1	1	1	1	1	2004 766
		383	1	1	1	1	1	1	1	1	1	1	1	2004 766
		440	1	1	1	1	1	1	1	1	1	1	1	2004 766
	ROLLER, Compressor Idler													
	Model "C" and "D"													
			1	1	1	1	1	1	1	—	—	—	—	2206 022
			1	1	1	1	1	1	1	—	—	—	—	2006 374

TYPE LETTERS Indicates V - Valiant R - Belvedere P - Plymouth C - Chrysler
 B - Barracuda L - Dart W - Coronet D - Dodge Y - Imperial

AR Indicates use as required. Numerals in parentheses () refer to notes. Printed in U.S.A.
 = Indicates parts not listed in any previous parts book. ★ Indicates change or addition. January 1971

CODE	PART NAME	ENG. TYPE OR CU.IN.	V	B	L	R	W	P	D	C	C	C	Y	PART NUMBER
			1-2	1-2	1-2	1-2	1-2	1-2	1-2	1	2	3	1	
24-25-0 COMPRESSOR Cont'd.														
24-25-38	PLATE, Compressor Specification		—	—	—	—	—	—	1	1	1	1	—	2837 128
			1	1	1	—	—	—	—	—	—	—	—	2277 731
24-25-45	BRACKET, Idler Pulley	225	1	1	1	1	1	1	—	—	—	—	—	2203 035
		273	1	—	1	—	—	—	—	—	—	—	—	2899 599
		318	1	1	1	1	1	1	—	—	—	—	—	2899 599
		340	—	1	1	—	—	—	—	—	—	—	—	2899 599
	Idler Roller	225	—	—	—	1	1	—	—	—	—	—	—	2406 052
		273	1	—	1	—	—	—	—	—	—	—	—	2264 555
		318	1	1	1	1	1	—	—	—	—	—	—	2264 555
		340	—	1	1	—	—	—	—	—	—	—	—	2264 555
		318	—	—	—	—	—	1	1	—	—	—	—	2843 687
24-25-70	CRANKSHAFT GAS SEAL PACKAGE		1	1	1	1	1	1	1	1	1	1	1	1426 501
24-25-84	HEAD, Compressor Cylinder													
		Rt.	1	1	1	1	1	1	1	1	1	1	1	2000 083
		Lt.	1	1	1	1	1	1	1	1	1	1	1	1999 502
24-25-93	VALVE PLATE PACKAGE, Right		AR	AR	AR	AR	AR	AR	AR	AR	AR	AR	AR	2275 204
		Lt.	AR	AR	AR	AR	AR	AR	AR	AR	AR	AR	AR	2275 205
24-25-94	GASKET, Cylinder Head		1	1	1	1	1	1	1	1	1	1	1	1990 584
	Valve Plate		1	1	1	1	1	1	1	1	1	1	1	1990 598
24-25-107	FITTING'S Suction, For Compressor Part No's. 2951194, 2953563, 3462350, 3462351, 3462352, 3462920		1	1	1	1	1	1	1	1	1	1	1	2938 228
	2951193, 3512062		1	1	1	1	1	1	1	1	1	1	1	2938 229
	2951195, 3462998		1	1	1	1	1	1	1	1	1	1	1	2938 227
	2951220, 2951271, 3462419, 2960782		1	1	1	1	1	1	1	1	1	1	1	2938 230
	2951268, 2951269, 2951270, 3462005		1	1	1	1	1	1	1	1	1	1	1	2938 176
	2953349, 3491270		1	1	1	1	1	1	1	1	1	1	1	2941 891
	2953588, 3491271		1	1	1	1	1	1	1	1	1	1	1	2941 846
	2941998, 3484252		1	1	1	1	1	1	1	1	1	1	1	2010 872
	3462019, 3462020, 3462021		1	1	1	1	1	1	1	1	1	1	1	3406 191
	3462 420, 3462 919		1	1	1	1	1	1	1	1	1	1	1	3408 425
	Discharge, For Compressor No's. 2951193, 2951194, 2951195, 3462420, 3462920, 3462998, 3512062		1	1	1	1	1	1	1	1	1	1	1	2938 219
	2914998, 3484252		1	1	1	1	1	1	1	1	1	1	1	2814 688
	COUPLER, 3 Port, w/Auto. Temp. Control		—	—	—	—	—	1	1	1	1	1	1	2936 748
24-25-110	GASKET and TERMINAL, for Compressor Part No. 2951 270		—	—	—	—	—	1	1	1	1	1	1	2837 403
	GASKET, Suction Fitting		1	1	1	1	1	1	1	1	1	1	1	1997 446
24-25-114	SCREEN, Compressor Suction		1	1	1	1	1	1	1	1	1	1	1	1996 845
24-25-127	CAP, 1/4" Brass Flare Fitting Seal		AR	AR	AR	AR	AR	AR	AR	AR	AR	AR	AR	1989 202
24-25-132	VALVE, Pressure Regulator, for Compressor No. 2951 269		1	1	1	1	1	1	1	1	1	1	1	2776 146
	Evap. Temp. Regulator, for Compressor No. 2951 270		—	—	—	—	—	1	1	1	1	1	1	2837 402
24-25-133	CORE, Gauge Fitting Valve		AR	AR	AR	AR	AR	AR	AR	AR	AR	AR	AR	1992 947
24-25-135	SEAL, Evaporator Temp. Regulator Discharge Fitting		1	1	1	1	1	1	1	1	1	1	1	1994 410
24-25-137	SPRING, Pressure Regulator Valve Spacer, for Compressor 2951 269		1	1	1	1	1	1	1	1	1	1	1	2008 388
			1	1	1	1	1	1	1	1	1	1	1	1994 408
25-25-154	CRANKSHAFT PACKAGE V2 Compressor RV2 Compressor	1	1	1	1	1	1	1	1	1	1	1	1	2815 755
24-25-156	SCREW, Compressor Drive Clutch Pulley Mtg.		1	1	1	1	1	1	1	1	1	1	1	2815 755
		(Pitts Type)	1	1	1	1	1	1	1	1	1	1	1	1819 843
		(Warner Type)	1	1	1	1	1	1	1	—	—	—	—	1658 638
24-25-157	WASHER, Compressor Drive Clutch Pulley Mtg.		1	1	1	1	1	1	1	1	1	1	1	2097 102

TYPE LETTERS Indicates B - Barracuda V - Valiant L - Dart R - Belvedere W - Coronet P - Plymouth D - Dodge C - Chrysler Y - Imperial

AR Indicates use as required. Numerals in parentheses () refer to notes. Printed in U.S.A. # Indicates parts not listed in any previous parts book. ★ Indicates change or addition. January 1971

CODE	PART NAME	ENG. TYPE OR CU.IN.	V	B	L	R	W	P	D	C	C	C	Y	PART NUMBER
			1-2	1-2	1-2	1-2	1-2	1-2	1-2	1	2	3	1	
24-25-0 COMPRESSOR Cont'd.														
24-25-160	BEARING, Crankshaft Ball, for Compressor Part No's. 2951 269, 2951 270							1	1	1	1	1	1	2019 681
24-25-162	CRANKSHAFT BEARING HOUSING PACKAGE, for Compressor Part No's. 2951 269, 2951 270		1	1	1	1	1	1	1	1	1	1	1	2541 332
24-25-168	WASHER, Crankshaft Thrust		1	1	1	1	1	1	1	1	1	1	1	1747 982
24-25-189	SEAL, Bearing Housing		1	1	1	1	1	1	1	1	1	1	1	1982 542
24-25-219	BEARING, Compressor Clutch		1	1	1	1	1	1	1	1	1	1	1	1769 318
24-25-232	COIL, Compressor Clutch Field													
	1 1/4" x 4 13/16" dia. (Warner Type)		1	1	1	1	1	1	1					2097 105
	1 1/4" x 4 9/16" dia. (Pitts Type)		1	1	1	1	1	1	1					2485 847
		383				1	1							2097 105
		440				1	1							2097 105
		383					1	1	1	1	1	1	1	2936 592
		440					1	1	1	1	1	1	1	2936 592
	use W/5 3/8" O.D. Pulley						1	1	1	1	1	1	1	2837 162
24-25-234	RING, Compressor Clutch External													
	3/4" I.D.		1	1	1	1	1	1	1	1	1	1	1	2097 101
	1 1/8" I.D.		1	1	1	1	1	1	1	1	1	1	1	2485 587
	Internal 2 1/2" I.D.		1	1	1	1	1	1	1	1	1	1	1	2097 103
24-25-246	OIL PUMP PACKAGE		1	1	1	1	1	1	1	1	1	1	1	2021 191
24-25-252	SEAL, Oil Pump Cover		1	1	1	1	1	1	1	1	1	1	1	1747 988
24-25-258	SUMP, Compressor Oil		1	1	1	1	1	1	1	1	1	1	1	2869 545
24-26-0 RECEIVER DRIER														
24-26-20	DRIER, Receiver		1	1	1			1	1	1	1	1	1	2936 470
	w/Out Tapped Holes and Switch		1	1	1	1	1	1	1	1	1	1	1	3441 245
	Model "C" and "D"		1	1	1	1	1	1	1	1	1	1	1	2968 331
24-26-35	BRACKET, Drier and Sight Glass Mtg.		1	1	1									2219 155
								1	1	1	1	1		2936 474
						1	1							2607 440
													1	2607 526
	Model "C" and "D"		1	1	1	1	1	1	1	1	1	1	1	2607 440
	Screw and Washer, Rec. Drier Mtg.							1	1	1	1	1		6025 338
24-26-100	MUFFLER and TUBE, Compressor													
	Suction	225	1	1	1									2936 785
		273	1		1									2936 793
		318		1	1	1	1							2936 793
		340	1	1	1									2936 793
		225				1	1							2936 784
	Sta. Wgn.	318						1	1					2936 723
	Except Sta. Wgn.	318						1	1					2936 724
		383						1	1	1	1	1	1	3441 018
		440						1	1	1	1	1	1	3441 018
	MUFFLER and TUBE, Compressor Discharge	225	1	1	1									2936 786
		273	1		1									2936 787
		318	1	1	1									2936 787
		340		1	1									2936 787
		225				1	1							2936 795
		318				1	1							2936 794
	Model "D"		1	1	1	1	1	1	1	1	1	1	1	2814 693
24-26-101	BRACKET, Muffler Hose and Tube Mtg.												1	2936 719
24-26-102	SLEEVE, Suction Line							1	1	1	1	1	1	2936 491

TYPE LETTERS Indicates B - Barracuda V - Valiant L - Dart R - Belvedere W - Coronet P - Plymouth D - Dodge C - Chrysler Y - Imperial

AR Indicates use as required. Numerals in parentheses () refer to notes. Printed in U.S.A. # Indicates parts not listed in any previous parts book. ★ Indicates change or addition. January 1971

CODE	PART NAME	ENG. TYPE OR CU.IN.	V	B	L	R	W	P	D	C	C	C	Y	PART NUMBER
			1-2	1-2	1-2	1-2	1-2	1-2	1	2	3	1		
24-27-0 CONDENSER														
24-27-5	CONDENSER		1	1	1	—	—	—	—	—	—	—	—	2936 778
		225	—	—	—	1	1	—	—	—	—	—	—	2936 779
		318	—	—	—	1	1	—	—	—	—	—	—	2936 780
		383	—	—	—	1	1	—	—	—	—	—	—	2936 780
		440	—	—	—	1	1	—	—	—	—	—	—	2936 780
		225	—	—	—	—	—	1	—	—	—	—	—	2936 297
		318	—	—	—	—	—	1	1	1	1	1	—	2936 296
		383	—	—	—	—	—	1	1	1	1	1	—	2936 296
		440	—	—	—	—	—	1	1	1	1	1	—	2936 296
			—	—	—	—	—	—	—	—	—	—	1	2936 485
			1	1	1	—	—	—	—	—	—	—	—	2812 689
	Model "C" and "D"		—	—	—	1	1	1	1	1	1	1	1	2968 361
24-27-15	BRACKET, Condenser Mtg., Model "C" and "D"		1	1	1	—	—	—	—	—	—	—	—	2812 692
			—	—	—	3	3	—	—	—	—	—	—	2772 098
	SUPPORT, Cond. Mtg. and Tube, Model "C" and "D"		—	—	—	1	1	—	—	—	—	—	—	2772 101
	BRACKET, Cond. Mtg. Model "C" and "D" Right		—	—	—	1	1	1	1	1	1	1	—	2014 004
	SUPPORT, Cond. Mtg. and Tube, Model "C" and "D"		—	—	—	1	1	1	1	1	1	1	1	2968 364

24-28-0 EVAPORATOR

24-28-3	COVER'S, Roof Unit Tube's (Paint as Req'd.)		—	—	—	—	—	1	1	1	1	1	—	4106 EW2
	Tube At Roof Rail		—	—	—	—	—	1	1	1	1	1	—	4102 EW2
	Tube, Lower RT.		—	—	—	—	—	1	1	1	1	1	—	4104 EW2
	Tube, Upper RT.		—	—	—	—	—	1	1	1	1	1	—	2025 EW2
	Dual Unit Hinge, LT.		—	—	—	—	—	1	1	1	1	1	—	
24-28-5	EVAPORATOR, A/Cond. and Heater		1	1	1	—	—	—	—	—	—	—	—	2936 798
	Unit, w/Vacuum Harness		—	—	—	—	—	1	1	1	1	1	—	2936 414
	Roof Unit Rr., w/Auto Temp. Control		—	—	—	—	—	—	—	—	—	—	1	2936 140
	Model "C"		1	1	1	1	1	1	1	—	—	—	—	2968 235
	Model "D"		1	1	1	1	1	1	1	1	1	1	1	2968 247
24-28-6	SUB COOLER, Dual A/Cond., w/Auto Temp. Control		—	—	—	—	—	—	—	—	—	—	1	2936 486
24-28-7	TURN BUCKLE, Shut-Off Door Shaft Adjusting		1	1	1	—	—	—	—	—	—	—	—	2521 621
24-28-8	BRACKET, Evaporator Mtg. Roof		—	—	—	—	—	1	1	1	1	1	—	2936 412
	Unit to Roof	RT.	—	—	—	—	—	1	1	1	1	1	—	2936 413
		LT.	—	—	—	—	—	1	1	1	1	1	—	2936 410
	Roof Unit Mtg.	RT.	—	—	—	—	—	1	1	1	1	1	—	2936 411
		LT.	—	—	—	—	—	1	1	1	1	1	—	2936 228
	Plenum Mtg.		—	—	—	—	—	1	1	1	1	1	1	
	Rear Evaporator Mtg. Side		—	—	—	—	—	—	—	—	—	—	1	2936 142
		Rt.	—	—	—	—	—	—	—	—	—	—	1	2936 143
		Lt.	—	—	—	—	—	—	—	—	—	—	1	2936 141
		Rr.	—	—	—	—	—	—	—	—	—	—	1	
	Evap. Mtg. Adj. Model "C" and "D"		—	—	—	—	—	—	—	—	—	—	—	
		Right	1	1	1	1	1	1	1	1	1	1	—	2968 317
		Left	1	1	1	1	1	1	1	1	1	1	—	2968 316
24-28-10	SCREEN, Evaporator Coil		1	1	1	—	—	—	—	—	—	—	—	2521 953
		Lwr.	1	1	1	—	—	—	—	—	—	—	—	2837 243
24-28-13	REGULATOR, Coil Sensing, w/Auto Temp. Control		—	—	—	—	—	1	1	1	1	1	1	2936 358
24-28-16	STRAP, Defrost Tube, w/Radio		1	1	1	—	—	—	—	—	—	—	—	2837 790

TYPE LETTERS Indicates
 B - Barracuda V - Valiant R - Belvedere P - Plymouth C - Chrysler
 L - Dart W - Coronet D - Dodge Y - Imperial

AR Indicates use as required. Numerals in parentheses () refer to notes. Printed in U.S.A.
 # Indicates parts not listed in any previous parts book. ★ Indicates change or addition. January 1971

CODE	PART NAME	ENG. TYPE OR CU.IN.	V	B	L	R	W	P	D	C	C	C	Y	PART NUMBER
			1-2	1-2	1-2	1-2	1-2	1-2	1-2	1	2	3	1	
24-28-0 EVAPORATOR Cont'd.														
24-28-17	CLAMP, Water Valve Inlet and Outlet Hose		—	—	—	4	4	—	—	—	—	—	—	2521 726
	Roof Unit Underbody Tubes		—	—	—	—	—	2	2	2	2	2	—	2521 769
	Underbody Tubes, w/Auto. Temp. Control		—	—	—	—	—	—	—	—	—	—	1	2936 886
			—	—	—	—	—	—	—	—	—	—	1	2936 887
24-28-18	ADAPTER, TUBE and NUT		—	—	—	AR	AR	—	—	—	—	—	—	2485 914
	3/8" dia.		—	—	—	AR	AR	—	—	—	—	—	—	2485 915
	1/2" dia.		—	—	—	AR	AR	—	—	—	—	—	—	2485 916
	5/8" dia.		—	—	—	AR	AR	—	—	—	—	—	—	2521 920
	3/4" dia.		—	—	—	AR	AR	—	—	—	—	—	—	2837 109
24-28-19	GROMMET, Liquid Tube		1	1	1	—	—	—	—	—	—	—	—	2521 676
	Temp. Control Valve Mtg.		—	—	—	3	3	—	—	—	—	—	—	1886 101
	Control Vacuum Hose Dash		—	—	—	1	1	—	—	—	—	—	—	2607 182
	Heater Core Tube Sealing		—	—	—	1	1	—	—	—	—	—	—	2277 767
	Roof Unit Rr. Liquid Hose		—	—	—	—	—	1	1	1	1	1	—	2936 821
	Evap. Coil Tube Support		—	—	—	1	1	1	1	1	1	1	1	2014 009
	Discharge Hose, Model "C"		1	1	1	1	1	1	1	1	1	1	—	3441 172
24-28-22	SCREW, Frt. Hsg. To RR. Hsg.		—	—	—	—	—	9	9	9	9	9	9	3441 173
	Frt. Hsg. To RR. Hsg. Mtg.		—	—	—	—	—	2	2	2	2	2	2	2837 792
24-28-25	HOUSING, Evaporator Air Inlet w/SCROLL and INSULATOR		1	1	1	—	—	—	—	—	—	—	—	2837 846
			—	—	—	1	1	—	—	—	—	—	—	3441 176
24-28-29	BRACKET, Suction and Liq Line Mtg.		—	—	—	—	—	1	1	—	—	—	—	2521 152
24-28-31	GASKET, Water Outlet and Inlet Tube Mtg.		—	—	—	1	1	—	—	—	—	—	—	2521 554
24-28-34	DOOR, W/Frame, Heater Recirc.		1	1	1	—	—	—	—	—	—	—	—	2884 074
24-28-39	RESTRICTOR, Control Vacuum Hose		—	—	—	2	2	1	1	1	1	1	—	2607 847
24-28-43	TRAY, Evaporator Coil Drain		1	1	1	—	—	—	—	—	—	—	—	2607 252
			—	—	—	1	1	—	—	—	—	—	—	2936 145
	TRAY, w/COIL, Rear Evaporator Unit Support		—	—	—	—	—	—	—	—	—	—	1	2521 315
24-28-44	FERRULE, Drain Tray Tube		—	—	—	2	2	—	—	—	—	—	—	2427 119
24-28-49	NUT, Rr. A/Cond. Blower Mtg.		—	—	—	—	—	1	—	—	—	—	—	2837 968
24-28-51	COVER, Rear, w/End PLATES		—	—	—	1	1	—	—	—	—	—	—	2968 293
	CASE, W/Controls, Model "D"	1	1	1	1	1	1	1	1	1	1	1	—	2448 620
24-28-64	KIT, Vacuum Tube Repair		—	—	—	—	—	AR	AR	AR	AR	AR	AR	2448 621
	1/4" I.D.		—	—	—	—	—	AR	AR	AR	AR	AR	—	
	3/16" I.D.		—	—	—	—	—	AR	AR	AR	AR	AR	—	
24-28-70	GRILLE, in Car Sensor, w/Auto. Temp. Control		—	—	—	—	—	1	1	—	—	—	—	2936 054
	W/Controls Model "C"		1	1	1	1	1	1	1	1	1	1	—	2968 326
24-28-72	CLIP		—	—	—	—	—	2	2	—	—	—	2	2837 285
	Center Outlet Duct Mtg.		—	—	—	—	—	1	—	—	—	—	—	2837 285
	Lower Lt. Spot Cooler Duct		—	—	—	—	—	2	—	—	—	—	—	2837 285
	Spot Cooler Duct Mtg.		—	—	—	—	—	—	4	—	—	—	—	2837 285
	Spot Cooler Duct Mtg.		—	—	—	—	—	—	2	2	2	2	2	2521 729
	Spot Cooler Duct to Dist. Hsg.		—	—	—	—	—	—	—	—	—	—	—	
	CLIP, Heater Rear Housing to Front Housing Mtg.		11	11	11	—	—	—	—	—	—	—	—	2521 336
	Spot Cooler Tube and Duct		—	—	—	AR	AR	AR	AR	AR	AR	AR	AR	2521 729
24-28-73	DUCTS Spotcooler		—	—	—	—	—	1	—	—	—	—	—	2936 198
	RT.		—	—	—	—	—	1	—	—	—	—	—	2936 199
	Upper LT.		—	—	—	—	—	1	—	—	—	—	—	2936 195
	Lower LT.		—	—	—	—	—	1	—	—	—	—	—	2936 308
	Center		—	—	—	—	—	1	—	—	—	—	—	2936 302
	RT.		—	—	—	—	—	1	—	—	—	—	—	2936 303
	LT.		—	—	—	—	—	1	—	—	—	—	—	2936 309
	Center		—	—	—	—	—	1	—	—	—	—	—	2936 061
	Upper LT.		—	—	—	—	—	—	1	1	1	1	—	2936 324
	RT.		—	—	—	—	—	—	—	—	—	—	—	

TYPE LETTERS Indicates B - Berracuda V - Valiant R - Belvedere P - Plymouth C - Chrysler
 L - Dart W - Coronet D - Dodge Y - Imperial

AR Indicates use as required. Numerals in parentheses () refer to notes. Printed in U.S.A.
 # Indicates parts not listed in any previous parts book. ★ Indicates change or addition. January 1971

CODE	PART NAME	ENG. TYPE OR CU.IN.	V	B	L	R	W	P	D	C	C	C	Y	PART NUMBER
			1-2	1-2	1-2	1-2	1-2	1-2	1-2	1	2	3	1	
24-28-0 EVAPORATOR Cont'd.														
24-28-73	DUCTS Cont'd.													
	LT.									1	1	1	1	2936 330
	Outlet Connector, Center									1	1	1	1	2936 327
	Center									1	1	1		2936 380
	Outlet Connector Center												1	2936 320
														2936 342
	DUCT													
	Defroster, W/Air. Conditioning		1	1	1									2837 810
						2	2							2837 730
								1	1					2936 138
										1	1	1	1	2936 139
	Evaporator Outlet		1	1	1									2837 062
	Fresh Air Inlet					1	1							2607 029
	Center Air Outlet, w/o Rallye													
	Inst. Panel					1	1							2837 579
	Center Air Outlet, w/Rallye													
	Inst. Panel					1								2837 652
24-28-78	AIR OUTLET, LOUVER and HOUSING													
	Lt. and Ctr.		1	1	1									2837 837
	Rt.		1	1	1									2837 836
	Ctr.					1	1							2837 778
	Ctr.								1					2936 191
	Roof Unit							1	1	1	1	1		2521 635
	Center, Blue							1						4299 EB7
	Green							1						4299 EF8
	Black							1						4299 EX9
	Red							1						4299 ER8
	Tan							1						4299 ET8
	Spotcooler RT. and LT. Blue									2	2	2		4411 EB9
	Briar									2	2	2		4411 EE9
	Green									2	2	2		4411 EF8
	Black									2	2	2		4411 EX9
	Turquoise									2	2	2		4411 EQ8
	Tan									2	2	2		4411 ET8
	Gold									2	2	2		4411 EY8
	Spotcooler RT. and LT. Blue												2	4411 EB9
	Green												2	4411 EF9
	Tan												2	4411 ET9
	Burgundy												2	4411 EM9
	Black												2	4411 EX9
	Turquoise												2	4411 EQ8
	Red												2	4411 ER8
	Gold												2	4411 EY8
	Center									1	1	1		2936 372
													1	2936 314
	RR. Evap. Air Outlet												1	4468 DX9
													1	4469 DX9
	Model "D"		3	3	3	3	3	3	3	3	3	3	3	2968 288
24-28-84	ADAPTER													
	Rear Evap. Air Inlet and												AR	2485 540
	Compartment Speaker												AR	2837 690
	Reinforcement													
24-28-90	DOOR and SEAL, A/Cond. Outlet					1	1							2521 126
	Floor Heat					1	1							2521 130
	DOOR, Floor Air, Model "D"													
	Rt.		1	1	1	1	1	1	1	1	1	1	1	2968 292
	Lt.		1	1	1	1	1	1	1	1	1	1	1	2968 291
24-28-92	SEAL, Dist. Hsg. to Center Outlet													
	Duct							1	1	1	1	1	1	2936 270
24-28-93	CONNECTOR and REINFORCEMENT,													
	Air Inlet Shelf												1	2485 603

TYPE LETTERS Indicates

B - Barracuda

V - Valiant
L - DartR - Belvedere
W - CoronetP - Plymouth
D - DodgeC - Chrysler
Y - Imperial

AR Indicates use as required.

Indicates parts not listed in any previous parts book.

Numerals in parentheses () refer to notes.

★ Indicates change or addition.

Printed in U.S.A.

January 1971

CODE	PART NAME	ENG. TYPE OR CU.IN.	V	B	L	R	W	P	D	C	C	C	Y	PART NUMBER
			1-2	1-2	1-2	1-2	1-2	1-2	1-2	1	2	3	1	
24-28-96	SEAL, Recirculating Housing to Dash Extension								1	1	1	1	1	2936 003
	Fresh Air and Housing to Scroll					1	1							2837 632
	Recirculating Housing to Plenum Ext.							1	1	1	1	1	1	2936 004
24-28-98	VANE, Vertical, Model "C"		8	8	8	8	8	8	8	8	8	8	—	2968 318
	Vertical Control, Model "C"		4	4	4	4	4	4	4	4	4	4	—	2968 319
	Horizontal, Model "C"		4	4	4	4	4	4	4	4	4	4	—	2968 320
	Horizontal Control, Model "C"		2	2	2	2	2	2	2	2	2	2	—	2968 321
24-28-99	LINKAGE, Door Control					1	1							2607 785
	Door Control							1	1	1	1	1	1	2936 271
24-28-100	SHAFT, Lever to Adj. Nut		1	1	1									2521 571
	Adj. Nut to Crank		1	1	1									2521 572
	Recirculating Door to Crank		1	1	1									2521 573
	SHAFT and LEVER, Heater Shut-Off Door		1	1	1									2521 545
24-28-101	RETAINER, Adj. Nut to Crank		2	2	2									2197 678
	Recirculating Door Shaft to Crank		2	2	2									2197 678
	Vacuum Actuator Rod		2	2	2									2197 678
24-28-107	PLATE, Evap. Air Outlet Trim		2	2	2									2607 838
24-28-108	SPRING													
	Floor Heat Door Lever					1	1							2521 701
	A/Cond. Door Over Center					1	1							2521 694
	Fresh Air and Recirculating Door					1	1							2521 082
24-28-113	HOUSING, Fresh Air and Recirculating					1	1							2837 849
	Recirculating, Dual, w/Front Heater							1	1	1	1	1	—	2936 001
	w/o Auto. Temp. Control							1	1	1	1	1	—	2936 739
	w/Auto. Temp. Control							1	1	1	1	1	—	2936 002
	A/Cond. and Heater Recirculating							1	1	1	1	1	—	2936 739
24-28-115	COVER, Recirculating Housing and Linkage					1	1							2837 638
24-28-117	LEVER													
	Evaporator Air Inlet Door		1	1	1									2521 501
	Evaporator Defroster Door Shaft		1	1	1									2521 629
	Floor Heat Door Control					1	1							2521 712
	Vacuum Hose Reg. A.T.C. Only							1	1	1	1	1		3441 076
24-28-118	SPACER, Heater Door Control Lever					1	1							2521 713
24-28-175	HOUSING, Roof Unit Blower Mtr.							1	1	1	1	1	—	1887 299
		C.W.						1	1	1	1	1	—	1887 300
		C.C.W.						2	2	2	2	2	2	1991 576
24-28-195	MOTOR, Blower		1	1	1									2808 761
						1	1							2932 709
								1	1	1	1	1	—	2932 840
	Rear Evaporator												1	2485 580
	Roof Unit							2	2	2	2	2	—	1886 266
	Model "C"		1	1	1	1	1	1	1	1	1	1	—	2013 175
	Model "D"		1	1	1	1	1	1	1	1	1	1	—	2870 270
24-28-200	SPACER, Outlet Duct Mtg. to Pnl.		1	1	1									2607 837
24-28-201	MOUNT, Blower Motor		3	3	3	3	3	3	3	3	3	3	3	2277 596
24-28-203	RESISTOR, A/Cond. and Heater Mtr.		1	1	1									2837 805
	Rear Evaporator Mtr.												1	2485 593
	Motor Blower, Model "D"		1	1	1	1	1	1	1	1	1	1	1	2870 284
24-28-204	GASKET, Rr. Evap. Blower Mtr. Mtg.												2	2076 088
24-28-207	PLATE, Blower Motor Mtg.		1	1	1	1	1							2521 144
								1	1	1	1	1	1	2936 214
24-28-208	RETAINER, Motor Mtg. Seal		1	1	1	1	1	1	1	1	1	1	1	2521 231

TYPE LETTERS Indicates B - Barracuda V - Valiant L - Dart R - Belvedere W - Coronet P - Plymouth D - Dodge C - Chrysler Y - Imperial

AR Indicates use as required.
Indicates parts not listed in any previous parts book.

Numerals in parentheses () refer to notes.
★ Indicates change or addition.

Printed in U.S.A.
January 1971

CODE	PART NAME	ENG. TYPE OR CU.IN.	V	B	L	R	W	P	D	C	C	C	Y	PART NUMBER
			1-2	1-2	1-2	1-2	1-2	1-2	1	2	3	1		
24-28-0	EVAPORATOR Cont'd.													
24-28-210	WHEEL, Blower Motor		1	1	1	—	—	—	—	—	—	—	—	2808 772
	Rear Evaporator	Rt.	—	—	—	1	1	1	1	1	1	1	1	2808 880
		Lt.	—	—	—	—	—	—	—	—	—	—	1	2485 591
	Roof Unit	C.W.	—	—	—	—	—	1	1	1	1	1	—	2277 597
	Model "C" and "D"	C.C.W.	—	—	—	—	—	1	1	1	1	1	—	1886 265
		C.W.	1	1	1	1	1	1	1	1	1	1	1	2013 185
		CC. W.	1	1	1	1	1	1	1	1	1	1	1	2013 184
24-28-211	SEAL, Blower Motor Retainer to Mtg. Plate		1	1	1	1	1	1	1	1	1	1	1	2837 291
	Blower Motor Plate to Housing		—	—	—	—	—	1	1	1	1	1	1	2936 215
24-28-220	COIL, Evaporator		1	1	1	—	—	—	—	—	—	—	—	2936 800
	Roof Unit (Sta. Wgn.)		—	—	—	1	1	—	—	—	—	—	—	2936 454
	COIL and BLOWER, Roof Unit (Sta. Wgn.)		—	—	—	—	—	1	1	1	1	1	—	2936 421
	COIL, Evaporator		—	—	—	—	—	—	—	—	—	—	1	2936 584
	COIL, Evaporator, w/Auto. Temp. Control		—	—	—	—	—	1	1	1	1	1	1	2936 471
	Model "C"		1	1	1	1	1	1	1	1	1	1	—	28 12 726
	Model "D"		1	1	1	1	1	1	1	1	1	1	1	2968 273
24-28-225	SEAL, Evap. Coil		—	—	—	—	—	1	1	1	1	1	1	2936 203
		Top Side	—	—	—	—	—	2	2	2	2	2	2	2936 204
24-28-241	SWITCH, Thermostat, Model "C"		1	1	1	1	1	1	1	1	1	1	—	2013 192
	Model "D"		1	1	1	1	1	1	1	1	1	1	1	2870 256
24-28-248	KNOB, Switch Control, Model "C"		1	1	1	1	1	1	1	1	1	1	—	1997 553
24-28-300	VALVE, Expansion		1	1	1	1	1	1	1	1	1	1	1	2932 843
	Roof Unit (Sta. Wgn.)		—	—	—	—	—	1	1	1	1	1	—	2936 438
	Rear Evaporator		—	—	—	—	—	—	—	—	—	—	1	2932 842
	Model "C"		1	1	1	1	1	1	1	1	1	1	—	2013 063
	Model "D"		1	1	1	1	1	1	1	1	1	1	1	2870 309
24-28-302	ELBOW, Expansion Valve to Dash		1	1	1	—	—	—	—	—	—	—	—	2936 783
24-28-318	CONNECTOR, Vacuum Hose Tee, Auto. Temp. Control only		—	—	—	—	—	4	4	4	4	4	4	2837 877
			—	—	—	—	—	1	1	1	1	1	1	2837 947
	TEE, Control Vacuum Hose		1	1	1	1	1	—	—	—	—	—	—	1886 109
	TEE, A/Cond. and Htr. Hose		—	—	—	—	—	1	1	1	1	1	1	3441 235
	CONNECTOR		—	—	—	—	—	AR	AR	AR	AR	AR	—	2837 877
24-28-326	SEAL, Hose and Tube "O" Ring													
	3/8" O.D.		AR	AR	AR	AR	AR	AR	AR	AR	AR	AR	AR	2219 383
	1/4" O.D.		AR	AR	AR	AR	AR	AR	AR	AR	AR	AR	AR	2277 190
	1/2" O.D.		AR	AR	AR	AR	AR	AR	AR	AR	AR	AR	AR	2219 384
	5/8" O.D.		—	—	—	AR	AR	AR	AR	AR	AR	AR	AR	2219 385
	3/4" O.D.		AR	AR	AR	AR	AR	AR	AR	AR	AR	AR	AR	2521 172
	Heater Housing to Plenum		1	1	1	—	—	—	—	—	—	—	—	2277 669
	Distribution Hsg. and Door Duct		—	—	—	1	1	—	—	—	—	—	—	2837 591
	Discharge Line Mtg. Flange		—	—	—	1	1	1	1	1	1	1	1	2936 715
24-28-334	HOUSING, A/Cond. and Heater Distribution		—	—	—	1	1	—	—	—	—	—	—	2837 590
			—	—	—	—	—	1	1	1	1	1	1	2936 267
	w/Doors		—	—	—	1	1	—	—	—	—	—	—	2837 587
24-28-335	COVER, Floor Heat Distribution		—	—	—	—	—	1	1	1	1	1	1	2936 263
24-28-336	DOOR, Distribution Hsg.													
		Rt.	—	—	—	1	1	—	—	—	—	—	—	2521 440
		Lt.	—	—	—	1	1	—	—	—	—	—	—	2521 441
24-28-338	SPRING, Distribution Hsg.		—	—	—	2	2	—	—	—	—	—	—	2521 439
24-28-339	GASKET, Distribution Hsg. to Rear Hst.		—	—	—	—	—	1	1	1	1	1	1	2936 266

TYPE LETTERS Indicates

B - Barracuda

V - Valiant
L - DartR - Belvedere
W - CoronetP - Plymouth
D - DodgeC - Chrysler
Y - Imperial

AR Indicates use as required.

Indicates parts not listed in any previous parts book.

Numerals in parentheses () refer to notes.

★ Indicates change or addition.

Printed in U.S.A.

January 1971

CODE	PART NAME	ENG. TYPE OR CU.IN.	V	B	L	R	W	P	D	C	C	C	Y	PART NUMBER
			1-2	1-2	1-2	1-2	1-2	1-2	1-2	1	2	3	1	
24-28-0 EVAPORATOR Cont'd.														
24-28-341	ROD, Htr. to Plenum Mtg. Fresh Air Inlet Duct		1	1	1	—	—	—	—	—	—	—	—	2277 591 2607 004
24-28-347	PANEL, Evap. Control, Model "D"		1	1	1	1	1	1	1	1	1	1	1	2968 290
24-28-383	DAMPER, A/Cond. and Htr. Defroster		—	—	—	2	2	—	—	—	—	—	—	2521 123
24-28-387	SPOTCOOLER	RT.	—	—	—	1	1	—	—	—	—	—	—	2837 564
		LT.	—	—	—	1	1	—	—	—	—	—	—	2837 565
		Blue RT.	—	—	—	—	—	1	—	—	—	—	—	4207 EB7
		Green RT.	—	—	—	—	—	1	—	—	—	—	—	4207 EF8
		Black RT.	—	—	—	—	—	1	—	—	—	—	—	4207 EX9
		Red Rt.	—	—	—	—	—	1	—	—	—	—	—	4207 ER8
		Tan RT.	—	—	—	—	—	1	—	—	—	—	—	4207 ET8
		LT.	—	—	—	—	—	1	—	—	—	—	—	2936 149
		CTR.	—	—	—	—	—	—	1	—	—	—	—	2936 156
		RT.	—	—	—	—	—	—	1	—	—	—	—	2936 156
		LT.	—	—	—	—	—	—	1	—	—	—	—	2936 157
24-28-388	RETAINER, Rt. Spot Cooler Shut-Off Door Link		—	—	—	—	—	1	—	—	—	—	—	2197 678
24-28-399	SHAFT, Floor Heat Door A/Cond. Door		—	—	—	1	1	—	—	—	—	—	—	2521 108
	Defroster Door		—	—	—	1	1	—	—	—	—	—	—	2521 109
24-28-404	KNOB, Spot Cooler Shut-Off Door		—	—	—	1	1	—	—	—	—	—	—	2607 783
24-28-405	CONNECTOR, Spot Cooler Tube		—	—	—	1	1	—	—	—	—	—	—	2837 933
		Lt.	—	—	—	1	1	—	—	—	—	—	—	2837 555
24-28-406	WASHER, Shut-Off Door Link		—	—	—	—	—	1	—	—	—	—	—	2936 391
24-28-914	COIL, Evaporator		—	—	—	—	—	1	1	1	1	1	—	2923914
24-28-388	RETAINER, Rt. Spot Cooler Shut-Off Door Link		—	—	—	—	—	1	—	—	—	—	—	2197 678
24-28-399	SHAFT, Floor Heat Door A/Cond. Door		—	—	—	1	1	—	—	—	—	—	—	2521 108
	Defroster Door		—	—	—	1	1	—	—	—	—	—	—	2521 109
24-28-404	KNOB, Spot Cooler Shut-Off Door		—	—	—	1	1	—	—	—	—	—	—	2607 783
24-28-405	CONNECTOR, Spot Cooler Tube		—	—	—	1	1	—	—	—	—	—	—	2837 933
		Lt.	—	—	—	1	1	—	—	—	—	—	—	2837 555
24-28-406	WASHER, Shut-Off Door Link		—	—	—	—	—	1	—	—	—	—	—	2936 391
24-28-914	COIL, Evaporator		—	—	—	—	—	1	1	1	1	1	—	2923914

24-29-0 ACTUATOR

24-29-1	ACTUATOR, Vacuum Heater Shut-Off Door		1	1	1	—	—	—	—	—	—	—	—	2521 569
	Defroster Door		1	1	1	—	—	—	—	—	—	—	—	2521 503
	Air Inlet Door		1	1	1	—	—	—	—	—	—	—	—	2521 502
	Heater Door		—	—	—	1	1	—	—	—	—	—	—	2837 889
	A/Cond. Door		—	—	—	1	1	—	—	—	—	—	—	2837 891
	Fresh Air Door		—	—	—	1	1	—	—	—	—	—	—	2837 894
	Recirculating Door		—	—	—	—	—	1	1	1	1	1	1	2936 018
	A/Cond. Door		—	—	—	—	—	1	1	1	1	1	1	2936 279
	Heater Door		—	—	—	—	—	1	1	1	1	1	1	2936 281
24-29-3	BRACKET Recirculating Actuator Mtg., w/Auto. Temp. Control		—	—	—	—	—	1	1	1	1	1	1	2936 015
	w/o Auto. Temp. Control		—	—	—	—	—	1	1	1	1	1	—	2936 745
	Recirculating Vacuum Switch Mtg., w/Auto. Temp. Control		—	—	—	—	—	1	1	1	1	1	1	2936 017
	Vacuum Actuator Mtg.		—	—	—	—	—	1	1	1	1	1	1	2936 237
24-29-6	BRACKET, Actuator Mtg.		—	—	—	—	—	1	1	1	1	1	1	2936 237
24-29-15	RETAINER, Actuator Shaft		2	2	2	1	1	—	—	—	—	—	—	2197 678

TYPE LETTERS Indicates B - Barracuda V - Valiant L - Dart R - Belvedere W - Coronet P - Plymouth D - Dodge C - Chrysler Y - Imperial

AR Indicates use as required.
Indicates parts not listed in any previous parts book.

Numerals in parentheses () refer to notes.
★ Indicates change or addition.

Printed in U.S.A.
January 1971

PART NAME	CODE	PART NAME	CODE
ALPHABETICAL INDEX			
A			
Absorber, shock	1-07-1 17-23-3 to 17-23-57	Arm, front wheel upper control	2-08-5 to 2-08-72
Accelerator pedal	14-01-1 to 14-01-38	Arm, steering linkage knuckle	2-05-4
Accelerator pedal return spring	14-06-1 to 14-06-10	Arm and idler arm, steering link gear, power	19-27-2 to 19-27-51
Accelerator pedal to accelerator shaft rod spring	14-07-15	Arm and idler arm, steering link gear, std.	19-27-2 to 19-27-51
Accelerator shaft	14-11-1 to 14-11-48	Ash receiver	23-02-2 to 23-02-145
Accessories	1-04-0 to 1-108-0	Automatic choke to carburetor rod clip	14-65-4
Actuator	24-29-1	Automatic door lamp switch	8-12-2 to 8-12-6
Adjuster, front seat	23-47-6 to 23-47-456	Automatic headlamp dimmer	1-04-4 to 1-04-22
Adjuster, wheel brake	5-20-1 to 5-20-20	Automatic headlamp dimmer foot switch	1-04-14
Air cleaner, carburetor	14-29-2 to 14-29-33	Automatic pilot control switch	14-02-32
Air cleaner, crankcase vent inlet	10-01-21 to 10-01-62	Automatic speed control	14-02-15 to 14-02-93
Air cleaner, power brake	5-113-17 to 5-113-35	Automatic transmission	21-02-1
Air conditioning	24-01-1 to 24-01-87	Axle, housing rear	3-02-1 to 3-02-20
Air conditioning and heater blower switch	24-24-5	B	
Air conditioning controls	24-24-5 to 24-24-183	Back-up lamp	8-56-1 to 8-56-46
Air intake	23-61-42 to 23-61-124	Back-up lamp switch	8-56-2
Alternator	8-28-3 to 8-28-292	Band, auto. trans.	21-136-5 to 21-136-236
Alternator, Leece-Neville	8-29-41 to 8-29-184	Bar, belt	23-51-5 to 23-51-52
Alternator component parts	8-29-21 to 8-29-184	Bar, front bumper face	13-64-3 to 13-64-150
Ambient switch, w/automatic control	24-24-5	Bar, front suspension torsion	2-14-1 to 2-14-25
Ammeter	7-37-1	Bar, front wheel upper control arm pivot	2-09-8
Antenna, radio	1-88-1 to 1-88-205	Bar, radiator cross	7-33-1 to 7-33-18
Anti-squeak, body	23-31-33 to 23-31-205	Bar, rear bumper face	13-66-2 to 13-66-153
Arm, front wheel lower control	2-10-6 to 2-10-76	Battery and cable	8-01-4 to 8-01-33
		Battery heat shield	13-35-1
		Battery hold-down strap	13-34-3

1969 PASSENGER CAR PARTS CATALOG

PART NAME	CODE	PART NAME	INDEX CODE
Battery hold-down stud	13-36-5	Body bumper	23-08-12
Battery support tray	13-33-61	to	23-08-75
	to		23-32-6
Bearing, camshaft	13-33-69	to	23-32-116
	9-16-6	Body hold-down	23-05-1
	to	Body insulator	23-31-33
Bearing, clutch release	9-16-17	to	23-31-205
	6-19-2	Body liner	23-31-33
	to	to	23-31-205
Bearing, differential	6-19-3	Body pad	23-31-33
	3-11-1	to	23-31-205
	to	Body pan	23-32-6
Bearing, drive pinion	3-11-25	to	23-32-116
	3-22-24	Body panel	23-34-5
	to	to	23-34-346
Bearing, drive shaft	3-22-78	Body pillar	23-36-3
	3-33-1	to	23-36-123
	to	Body plug	23-32-6
Bearing, front wheel	3-33-10	to	23-32-116
	22-06-1	Body seal	23-31-33
	to	to	23-31-205
Bearing, trans. countershaft, man. .	22-06-18	Body striker	23-08-12
	21-25-2	to	23-08-75
	to	Bolt, drive gear	3-20-1
Bearing, Trans. main shaft, man. .	21-25-6	Bolt, rear spring center	17-14-10
	21-19-2	Booster brake tube	5-107-34
	to	to	5-107-36
Bearing, trans. main shaft pilot,	21-19-15	Boot, folding top	23-112-12
man.	21-17-2	Boot, master cylinder	5-40-1
	to	to	5-40-4
Bearing, transmission output shaft .	21-17-7	Boot, wheel cylinder	5-69-1
	21-19-2	Box, glove	23-06-4
	to	to	23-06-53
Bearing, trans. output shaft pilot .	21-19-15	Bracket, Fender.	12-07-1
	21-17-2	Bracket, body	23-07-169
	to	Bracket, brake pedal	5-31-11
Bearing package, connecting rod . .	21-17-7	to	5-31-15
Bearing package, crankshaft	9-32-2	Bracket, brake tube	5-57-2
Bell Crank, throttle control	9-09-2	to	5-57-4
	14-14-1	Bracket, clutch pedal	6-46-1
	to	to	6-46-10
Belt, seat	14-14-26	Bracket, fender.	12-06-3
	1-67-1	Bracket, power unit mounting	5-101-1
	to	to	5-101-16
	1-67-30	Bracket, steering column, power	19-31-1
	23-49-1	to	19-31-7
	to	Bracket, steering column, std.	19-31-1
Belt bar	23-49-11	to	19-31-7
	23-51-5	to	19-31-7
	to		
Belts, fan and related drive	23-51-52		
Block, cylinder	7-03-1		
	9-02-7		
	to		
Block, rear spring silent	9-02-37		
	17-17-3		
	to		
Block, terminal	17-17-5		
Blower motor switch	8-21-1		
Board, floor	24-24-5		
	23-04-205		
	to		
Board, printed circuit	23-04-245		
Body anti-squeak	8-19-15		
	23-31-33		
	to		
Body bracket	23-31-205		
	23-07-169		

PART NAME	CODE	PART NAME	CODE
Bracket, throttle control cable mounting	14-26-6 to 14-26-11	Cable, fast idle	14-24-1 to 14-24-17
Brake, disc	5-05-1 to 5-05-43	Cable, parking brake	4-23-1 to 4-23-46
Brake flexible hose	5-62-1 to 5-62-20	Cable, speedometer, auto. trans.	21-84-1 to 21-84-8
Brake fluid	5-01-2	Cable, speedometer, man. trans.	21-84-1 to 21-84-28
Brake pedal and bushing	5-27-1 to 5-27-21	Cable, throttle control	14-25-5 to 14-25-17
Brake pedal bracket	5-31-11 to 5-31-15	Cable and battery	8-01-4 to 8-01-33
Brake pedal pad	5-28-8 to 5-28-9	Cable and connections	8-16-1 to 8-16-19
Brake pedal shaft	5-29-1	Camshaft	9-15-1 to 9-15-10
Brake shoe guide	5-25-9	Camshaft bearing	9-16-6 to 9-16-17
Brake shoe guide spring	5-26-1 to 5-26-4	Camshaft sprocket	9-17-5 to 9-17-9
Brake support	5-13-1 to 5-13-35	Cap-closed crankcase ventilating system	10-02-53 to 10-02-67
Brake system indicator lamp switch	8-31-10	Cap, crankshaft bearing	9-10-2 to 9-10-26
Brake tube	5-55-1	Cap, fuel tank filler	1-39-2
Brake tube bracket	5-57-2 to 5-57-4	Cap, hub	22-08-5 to 22-08-57
Brake tube clip	5-56-2	Cap, locking	1-39-2
Brake tube tee	5-58-1 to 5-58-12	Cap, radiator filler	7-12-1
Brake tubing and cover	5-53-3 to 5-53-4	Cap, wheel hub	22-08-5 to 22-08-57
Bulbs	8-44-1	Carburetor	14-30-1
Bumper, body	23-08-12 to 23-08-75	Carburetor air cleaner	14-29-2 to 14-29-33
Bumper, hood	17-19-21	Carburetor assemblies and service parts	14-30-2 14-30-4 14-30-7 14-30-8 14-30-27 14-30-28 14-30-30 14-35-1 14-35-6 14-35-9 14-35-33 14-35-39 14-37-24 14-39-7 14-39-45 14-41-3 14-41-7 14-41-22 14-41-23 14-43-5
Bumper, rear spring	17-19-3 to 17-19-21		
Bumper guard	13-68-6 to 13-68-43		
Bumper jack	13-72-1 to 13-72-12		
Bushing and pedal, brake	5-27-1 to 5-27-12		
Bushing and roller, universal joint cross	16-10-1 to 16-10-3		
C			
C Pillar lamp and switch	8-05-2 to 8-05-32		

1969 PASSENGER CAR PARTS CATALOG

PART NAME	CODE		
Carburetor assemblies and service parts - Cont'd.	14-48-2 14-50-13 14-50-25	Clutch housing pan	6-10-2 to 6-10-10
Carburetor interconnecting rod	14-15-3 to 14-15-10	Clutch parts, differential	3-09-1 to 3-09-3
Carrier, spare wheel	22-20-29 to 22-20-87	Clutch pedal	6-38-1 to 6-38-23
Carrier and components, trans. front and rear planet pinion, auto. trans.	21-134-5 to 21-134-45	Clutch pedal bracket	6-46-1 to 6-46-10
Carrier and differential, rear axle	3-03-1 to 3-03-36	Clutch pedal pad	6-39-2
Case, auto. trans.	21-03-1 to 21-03-30	Clutch pedal rod	6-50-1 to 6-50-10
Case, differential	3-04-6 to 3-04-10	Clutch pedal shaft	6-43-1 to 6-43-13
Case, man. trans.	21-03-1	Clutch pressure spring	6-16-1
Case cover, man. trans.	21-29-3 to 21-29-25	Clutch release bearing	6-19-2 to 6-19-3
Chain, timing	9-20-1	Clutch release bearing return spring	6-20-14
Chain case cover	9-23-5 to 9-23-18	Clutch release fork	6-22-1 to 6-22-19
Channel, glass	23-09-9 to 23-09-67	Clutch release fork return spring	6-27-5
Chassis and body wiring	8-15-2 to 8-15-53	Clutch release lever	6-17-3
Check, door	23-10-1 to 23-10-18	Clutch release over-center spring	6-35-1 to 6-35-15
Cigar lighter	1-12-1 8-20-3 to 8-20-23	Clutch release rod	6-24-1 to 6-24-14
Clamp and support, exhaust pipe	11-08-5 to 11-08-24	Clutch torque shaft	6-52-1 to 6-52-17
Clip, automatic choke to carburetor rod	14-65-4	Coil, ignition	8-35-4 to 8-35-95
Clip, brake tube	5-56-2	Component parts, alternator	8-29-21 to 8-29-184
Clip, fuel line tube	14-90-1 to 14-90-4	Component parts, ignition	8-27-4 to 8-27-352
Clip, rear spring	17-15-1 to 17-15-30	Component parts, shock absorber	17-26-4
Clock	1-21-1 to 1-21-27	Component parts, starting motor	8-52-5 to 8-52-389
Clutch	6-01-3	Components and heater	1-48-1 to 1-48-950
Clutch, auto. trans.	21-133-7 to 21-133-65	Compressor	24-25-2 to 24-25-258
Clutch cover and pressure plate	6-14-1 to 6-14-4	Condenser	24-27-5
Clutch disc	6-13-1	Connecting rod	9-31-4 to 9-31-10
Clutch housing	6-09-1 to 6-09-11	Connecting rod bearing package	9-32-2
		Connection and cable	8-16-1 to 8-16-19
		Connector, cylinder head water outlet	9-05-5 to 9-05-6
		Connector, power brake hose	5-110-18

PART NAME	CODE	PART NAME	CODE
Connector, wheel cylinder inlet . . .	5-66-6	Cross, universal joint	16-08-6
Console, floor tunnel	23-38-1	to	16-08-7
	to		
	23-38-48	Crossmember, frame engine rear	
Control, air conditioning	24-24-5	support and trans.	13-10-1
	to	to	
	24-24-183		13-10-12
Control, automatic speed	14-02-15	Crossmember, frame front	13-11-5
	to	to	
	14-02-93		13-11-18
Control, door lock and remote. . . .	23-18-5	Cup, wheel cylinder piston	5-71-1
	to	to	
	23-18-126		5-71-2
Control, gearshift, auto. trans. . . .	21-30-2	Cylinder, master	5-39-1
	to	to	
	21-30-433		5-39-29
Control, horn	8-33-4	Cylinder, wheel brake	5-64-1
	to	to	
	8-33-164		5-64-7
Control lever, auto. trans.	21-142-12	Cylinder and keys, lock	23-17-2
	to	to	
	21-142-18		23-17-74
Control switch.	14-02-32	Cylinder block	9-02-5
Controls, air conditioning	24-24-5	to	
	to		9-02-37
	24-24-183	Cylinder head	9-03-4
Converter, torque	9-46-4	to	
	to		9-03-29
	9-46-229	Cylinder head water outlet connector . .	9-05-5
Core, radiator.	7-11-3	to	
	to		9-05-6
	7-11-60	Cylinder head water outlet elbow	9-05-5
Countershaft, trans. man.	21-24-2	to	
	to		9-05-6
	21-24-22		
Coupling and shaft, steering column	19-15-4		
	to		
	19-15-111		
Courtesy and map lamp	8-42-1		
	to		
	8-42-25		
Courtesy lamp.	8-11-2		
	to		
	8-11-29		
Cover, chain case	9-23-5		
	to		
	9-23-18		
Cowl vent	23-61-42		
	to		
	23-61-124		
Crank, throttle control bell	14-14-1		
	to		
	14-14-26		
Crankcase vent inlet air cleaner . . .	10-01-21		
	to		
	10-01-62		
Crankshaft	9-07-5		
	to		
	9-07-22		
Crankshaft bearing cap	9-10-2		
	to		
	9-10-26		
Crankshaft bearing package	9-09-2		
Crankshaft rear bearing oil seal . .	9-11-1		
	to		
	9-11-7		
Crankshaft sprocket	9-08-5		
Crankshaft vibration damper	9-13-5		

D

Damper, crankshaft vibration	9-13-5
Deck lid	23-19-8
to	
	23-19-206
Deck lid lock release switch, electric .	23-19-94
Deck lid lock release switch vacuum . .	23-19-94
Deflector, fuel tank stone	14-87-2
Deflector, radiator stone	7-35-2
Defogger, rear window	1-47-1
to	
	1-47-26
Differential and carrier, rear axle . . .	3-03-1
to	
	3-03-36
Differential bearing	3-11-1
to	
	3-11-25
Differential case	3-04-6
to	
	3-04-10
Differential clutch parts	3-09-1
to	
	3-09-3
Differential pinion	3-07-1
to	
	3-07-2
Differential pinion shaft	3-08-1
to	
	3-08-2
Differential side gear	3-06-5
to	
	3-06-8

1969 PASSENGER CAR PARTS CATALOG

ALPHABETICAL
INDEX

PART NAME	CODE	PART NAME	CODE
Dimmer, auto. headlamp	1-04-4 to 1-04-22	Electric window lift switch w/bezel . .	23-41-170
Disc, clutch	6-13-1	Emergency flasher light switch	1-06-3
Disc brake	5-05-1 to 5-05-43	Emergency flasher unit	1-06-2 to 1-06-18
Distributor, ignition	8-27-1 to 8-27-352	Engine	9-01-5 to 9-01-24
Dome lamp and switch	8-05-2 to 8-05-32	Engine front support	9-64-18 to 9-64-37
Dome lamp switch	8-05-14	Engine front support insulator	9-67-4
Door	23-11-1 to 23-11-21	Engine rear support insulator	9-71-5
Door check	23-10-1 to 23-10-18	Evaporator	24-28-3 to 24-28-40
Door hinge	23-15-1 to 23-15-38	Exhaust pipe	11-05-1 to 11-05-30
Door lock and remote control	23-18-5 to 23-18-126	Exhaust pipe flange gasket and stud . .	11-06-3 to 11-06-14
Door regulator	24-14-10 to 24-14-153	Exhaust pipe support and clamp	11-08-5 to 11-08-24
Door remote control handle	23-14-10 to 23-14-153	Exhaust valve	9-39-6 to 9-39-21
Drain cock, radiator	7-13-2	Extension, trans. case, auto.	21-04-1 to 21-04-11
Drain trough	23-59-35 to 23-59-61	Extension, trans. case, man.	21-04-1 to 21-04-17
Drier, receiver	24-26-20 to 24-26-102		
Drive, fan fluid	7-07-1	F	
Drive gear and pinion set	3-19-1 to 3-19-15	Fan	7-02-1 to 7-02-16
Drive gear bolt	3-20-1	Fan and alternator idler pulley	7-04-1 to 7-04-20
Drive gear screw	3-20-1	Fan and related drive belt	7-03-1
Drive pinion bearing	3-22-24 to 3-22-78	Fan drive pulley	7-06-1 to 7-06-14
Drive shaft	3-32-1 to 3-32-12	Fan fluid drive unit	7-07-1
Drive shaft bearing	3-33-1 to 3-33-10	Fan pulley hub	7-05-1
Drive shaft oil seal	3-35-14	Fan thermal drive unit	7-07-1
Drum, front hub and brake	22-03-1	Fast idle cable	14-24-1 to 14-24-17
Drum, rear brake	22-04-2 to 22-04-14	Fender	12-01-5 to 12-01-107
E		Fender brace	12-07-1
Elbow, cylinder head water outlet . .	9-05-5 to 9-05-6	Fender bracket	12-06-3
Elbow, water pump	7-48-22	Fender filler	12-02-5 to 12-02-10
Electric front door lock switch . . .	23-18-103	Fender liner	12-02-5 to 12-02-10
Electric window lift switch	23-54-167	Fender moulding	12-15-11 to 12-15-32

PART NAME	CODE	PART NAME	CODE
Fender name plate	12-15-11 to 12-15-32	Front seat	23-45-31 to 23-45-204
Fende. ornament	12-15-11 to 12-15-32	Front section	23-12-23
Fender seal	12-02-5 to 12-02-10	Front seat adjuster	23-47-6 to 23-47-456
Fender shield	12-04-4 to 12-04-25	Front suspension torsion parts	2-14-1 to 2-14-15
Filler, fender	12-02-5 to 12-02-10	Front wheel bearing	22-06-1 to 22-06-18
Filter, fuel	14-67-1 to 14-67-10	Front wheel lower control arm	2-10-6 to 2-10-76
Filter, oil	10-26-5 to 10-26-65	Front wheel upper control arm	2-08-5 to 2-08-72
Filter, oil, auto. trans.	21-117-1	Front wheel upper control arm pivot bar	2-09-8
Flange, propeller shaft	16-20-1 to 16-20-3	Fuel filter	14-67-1 to 14-67-10
Floor board	23-04-205 to 23-04-245	Fuel gauge	8-37-275
Floor mat	23-20-8 to 23-20-65	Fuel line tube	14-89-2 to 14-89-58
Floor tunnel console	23-38-1 to 23-38-48	Fuel line tube clip	14-90-1 to 14-90-4
Flywheel	9-45-1 to 9-45-2	Fuel pump	14-73-1 to 14-73-2
Folding top	23-58-3 to 23-58-607	Fuel pump mounting gasket	14-74-1
Folding top boot	23-112-12	Fuel pump push rod	14-77-17
Folding top switch	23-58-532	Fuel tank	14-86-1 to 14-86-85
Foot dimmer switch	8-53-150	Fuel tank filler cap	1-39-2
Fork, clutch release	6-22-1 to 6-22-19	Fuel tank gauge	14-72-1 to 14-72-47
Fork, trans. gearshift, man.	21-39-3	Fuel tank stone deflector	14-87-2
Frame, license plate	1-70-1	Fuel tank support	14-88-21 to 14-88-42
Frame engine rear support and trans. crossmember.	13-10-1 to 13-10-12	Fuses	8-17-2 to 8-17-30
Frame front crossmember	13-11-5 to 13-11-18	G	
Frame or front frame structure	13-01-1 to 13-01-6	Garnish moulding	23-22-53 to 23-22-145
Frame rear spring hanger	13-54-4 to 13-54-15	Gasket, fuel pump mounting	14-74-1
Frame sub-sidemember	13-04-21	Gasket, manifold	9-50-1 to 9-50-18
Front bumper face bar	13-64-3 to 13-64-150	Gasket, water pump	7-44-3 to 7-44-4
Front door automatic lamp switch	8-12-2	Gasket and stud, exhaust pipe flange	11-06-3 to 11-06-14
Front door power vent switch	23-41-170	Gauge, fuel	8-37-275
Front hub and brake drum	22-03-1		

1969 PASSENGER CAR PARTS CATALOG

ALPHABETICAL
INDEX

Page AL-8

PART NAME	CODE	PART NAME	CODE
Gauge, fuel tank	14-72-1 to 14-72-47	Guard, bumper	13-68-6 to 13-68-43
Gauge, oil	8-37-316	Guide, brake shoe	5-25-9
Gauge, temperature	8-37-372	H	
Gear, differential side	3-06-5 to 3-06-8	Handle, door remote control	23-14-10 to 23-14-153
Gear, oil pump drive	10-10-1	Hanger, frame rear spring	13-54-4 to 13-54-15
Gear, steering, power	19-01-4 to 19-01-62	Head, cylinder	9-03-4 to 9-03-29
Gear, steering, std.	19-01-3 to 19-01-8	Headlamp	8-34-1 to 8-34-362
Gear, transmission clutch, man.	21-14-1 to 21-14-21	Headlamp and instrument lamp switch	8-53-270
Gear, transmission countershaft, man.	21-15-2 to 21-15-33	Headlamp switch and bracket	8-53-33
Gear, transmission main drive, man.	21-10-3 to 21-10-31	Heater and components	1-48-1 to 1-48-950
Gear, trans. reverse idler, man.	21-11-1 to 21-11-9	Heater blower switch	1-48-770
Gear and pinion set, drive	3-19-1 to 3-19-15	High beam indicator lamp	8-39-9 to 8-39-17
Gearshift, remote control, man. trans.	21-42-11 to 21-42-43	Hinge, door	23-15-1 to 23-15-38
Gearshift control, auto. trans.	21-30-2 to 21-30-433	Hinge, hood	15-19-2 to 15-19-8
Gearshift control rod, power	19-48-1 to 19-48-53	Hold-down, body	23-05-1
Gearshift control rod, std.	19-48-1 to 19-48-53	Hood bumper	15-09-4
Gearshift fork, man. trans.	21-39-3	Hood hinge	15-19-2 to 15-19-8
Gearshift lever and rod, man. trans.	21-30-2 to 21-30-433	Hood latch	15-11-3 to 15-11-74
Gearshift rail, man. trans.	21-34-42 to 21-34-53	Hood latch striker	15-13-2
Glass channel	23-09-9 to 23-09-67	Hood letter	15-06-24
Glove box	23-06-4 to 23-06-53	Hood medallion	15-06-24
Glove compartment lamp	1-19-1 to 8-38-3	Hood moulding	15-25-0
Glove compartment lamp switch	8-38-23	Hood name plate	15-06-24
Glove compartment lamp w/switch	8-38-23	Hood panel	15-03-3 to 15-03-76
Governor	14-68-3 to 14-68-8	Horn	8-32-2 to 8-32-18
Governor, auto. trans.	21-138-2 to 21-138-38	Horn control	8-33-4 to 8-33-164
Grille, radiator	7-16-11 to 7-16-117	Horn switch	8-33-90
		Hose, brake flexible	5-62-1 to 5-62-20
		Hose, power brake vacuum	5-111-17
		Hose, power steering	19-58-7 to 19-58-33
		Hose, radiator	7-14-4 to 7-14-31
		Housing, clutch	6-09-1 to 6-09-11

PART NAME	CODE	PART NAME	CODE
Housing, rear axle	3-02-1 to 3-02-20	Insulator, body	23-31-33 to 23-31-205
Housing, steering gear, power	19-02-4 to 19-02-69	Insulator, engine front support	9-67-4
Housing, steering gear, std.	19-02-4 to 19-02-17	Insulator, engine rear support	9-71-5
Housing, trans. case, man.	21-29-3 to 21-29-25	Intake, air	23-61-42 to 23-61-124
Housing, water pump	7-43-1 to 7-43-18	Intake valve	9-39-1 to 9-39-21
Hub, fan pulley	7-05-1		
Hub cap	22-08-5 to 22-08-57		
		J	
		Jack, bumper	13-72-1 to 13-72-12
		Jacket, steering column, power	19-14-1 to 19-14-108
		Jacket, steering column, std.	19-14-1 to 19-14-107
		Joint, universal	16-03-1
		K	
Ignition	8-36-1 to 8-36-137	Keys and cylinder, lock	23-17-2 to 23-17-74
Ignition and starter switch	8-35-59	Knuckle, steering	2-03-3
Ignition coil	8-35-4 to 8-35-95		
Ignition component parts	8-27-4 to 8-27-352	L	
Ignition distributor	8-27-1 to 8-27-352	Lamp, back-up	8-56-1 to 8-56-46
Ignition lamp	8-40-5 to 8-40-11	Lamp, courtesy	8-11-2 to 8-11-29
Ignition lock cylinder	8-35-4 to 8-35-95	Lamp, glove compartment	1-19-1 8-38-3 to 8-38-23
Ignition switch	8-35-4 to 8-35-95	Lamp, high beam indicator	8-39-9 to 8-39-17
Impeller, water pump	7-45-31	Lamp, ignition	8-40-5 to 8-40-11
Indicator, oil lever	10-03-4 to 10-03-14	Lamp, instrument panel	8-41-17 to 8-41-44
Insert, wheel cylinder tube	5-66-6	Lamp, license	8-57-10 to 8-57-79
Instrument panel	23-33-10 to 23-33-216	Lamp, parking and turn signal	8-50-82 to 8-50-354
Instrument panel dimmer switch	8-53-150	Lamp, parking brake signal	8-31-10 to 8-31-18
Instrument panel instruments	8-37-1 to 8-37-545	Lamp, map and courtesy	1-14-4 8-42-1 to 8-42-29
Instrument panel lamp	8-41-17 to 8-41-44		
Instrument panel wiring	8-19-3 to 8-19-87		
Instruments, instrument panel	8-37-1 to 8-37-545		

PART NAME	CODE	PART NAME	CODE
Lamp, quarter	8-11-2 to 8-11-29	Liner, body	23-31-33 to 23-31-205
Lamp, side marker and x/press super light	8-14-1 to 8-14-23	Liner, fender	12-02-5 to 12-02-10
Lamp, stop	8-58-60 to 8-58-79	Lining and shoe, wheel brake	5-03-1 to 5-03-23
Lamp, stop and turn signal	8-55-1 to 8-55-300	Listing and headlining	23-86-3
Lamp, tail	8-55-1 to 8-55-300	Lock, transmission parking	4-10-8 to 4-10-40
Lamp, trunk	1-30-1 8-13-2 to 8-13-5	Lock cylinder, ignition	8-35-4 to 8-35-95
Lamp, underhood	1-13-10 to 1-13-17	Lock cylinder and keys	23-17-2 to 23-17-74
Lamp w/switch, glove compartment	8-38-23	Locking cap	1-39-2
Latch, hood	15-11-3 to 15-11-74	Low pressure oil switch	8-53-327
Leaf, rear spring	17-12-4 to 17-12-12	Luggage rack	1-74-1
Leece-Neville alternator	8-29-41 to 8-29-184	M	
Letters, hood	15-06-24	Manifold	9-48-6 to 9-48-140
Lever, clutch release	6-17-3	Manifold gasket	9-50-1 to 9-50-18
Lever, control, auto. trans.	21-142-12 to 21-142-18	Manifold heat control valve	9-59-10 to 9-59-15
Lever, parking brake (foot operated)	4-25-1 to 4-25-32	Manifold heat control valve stop	9-62-1 to 9-62-2
Lever, parking brake (hand operated)	4-08-1 to 4-08-36	Manifold heat control valve thermostat	9-58-1 to 9-58-14
Lever, parking brake operating	4-26-1 to 4-26-27	Manual transmission	21-02-1 to 21-02-6
Lever and rod, gearshift, man. trans.	21-30-2 to 21-30-433	Map and courtesy lamp	1-14-4 8-42-1 to 8-42-29
License lamp	8-57-10 to 8-57-79	Map and courtesy lamp and switch	8-42-25
License mounting parts	8-47-8 to 8-47-126	Map lamp switch and bezel	8-42-25
License plate frame	1-70-1	Map lamp switch and housing	8-42-25
Lid, deck	23-19-8 to 23-19-206	Master cylinder	5-39-1 to 5-39-29
Lift, window (electric)	23-41-4 to 23-41-270	Master cylinder boot	5-40-1 to 5-40-4
Lift, window (manual)	23-39-2 to 23-39-53	Master cylinder brake tube	5-52-10
Lighter, cigar	8-20-3 to 8-20-23	Master cylinder piston	5-44-3 to 5-44-11
		Master cylinder piston push rod	5-47-2 to 5-47-13
		Mat, floor	23-20-8 to 23-20-65

PART NAME	CODE	PART NAME	CODE
Medallion, hood	15-06-24	Oil pump, auto. trans.	21-118-6
Medallion, radiator grille	7-17-1	to	21-118-58
	7-17-21	Oil pump, power steering	19-54-2
Mirror	1-76-3	to	19-54-263
	23-21-3	Oil pump drive gear	10-10-1
	23-21-74	Oil pump drive shaft	10-09-1
Motor, starting	8-52-4	to	10-09-7
	8-52-389	Oil pump rotor	10-14-18
Moulding, fender	12-15-11	Oil pressure relief valve	10-22-11
	12-15-32	to	10-22-41
Moulding, garnish	23-22-53	Oil seal, drive shaft	3-35-14
	23-22-145	Oil seal, output shaft bearing, auto.	21-22-2
	15-25-0	trans.	21-22-2
Moulding, hood	23-23-2	Oil seal, main shaft bearing, man. trans.	10-23-7
Moulding, outside finish	23-23-85	Oil strainer	12-15-11
	23-26-19	to	12-15-32
	23-23-87	Ornament, radiator grille	7-17-1
Moulding, trim finish	8-47-8	to	7-17-21
	8-47-126	Outside finish moulding	23-23-2
Mounting parts, license	11-01-1	to	23-23-85
Muffler	11-02-1		
Muffler support			
		P	
		Package, auto. trans.	21-01-3
		Package, crankshaft bearing	9-09-2
		Package, man. trans.	21-01-3
		Package, valve grinding gasket	9-39-1
		Pad, body	23-31-33
		to	23-31-205
		Pad, brake pedal	5-28-8
		to	5-28-9
		Pad, clutch pedal	6-39-2
		Pan, body	23-32-6
		to	23-32-116
		Pan, clutch housing	6-10-2
		to	6-10-10
		Pan, oil	10-24-1
		to	10-24-38
		Pan, oil, auto. trans.	21-119-3
		to	21-119-25
		Pan, oil, man. trans.	21-119-11
		Panel, body	23-34-5
		to	23-34-346
		Panel, hood	15-03-3
		to	15-03-76
		Panel, instrument	23-33-10
		to	23-33-216
		Panel, rocker	23-51-5
		to	23-51-52

N

O

Name plate, fender	12-15-11
to	12-15-32
Name plate, hood	15-06-24
Neutral starter switch, auto. trans.	21-113-24
to	21-113-29
Neutral starter switch package	21-113-24
Nipple, water pump	7-48-22
Nut and stud, wheel driving	22-05-14
to	22-05-24
Oil filter	10-26-5
to	10-26-65
Oil filter, auto. trans.	21-117-1
Oil gauge	8-37-316
Oil level indicator	10-03-4
to	10-03-14
Oil pan	10-24-1
to	10-24-38
Oil pan, auto. trans.	21-119-3
to	21-119-25
Oil pan, man. trans.	21-119-11
Oil pump	10-07-2
to	10-07-14

PART NAME	CODE	PART NAME	CODE
Parking and turn signal lamp	8-50-82	Plate, hood name	15-06-24
	to	Plug, body	23-32-6
	8-50-354		to
Parking brake cable	4-23-1		23-32-116
	to	Plug, spark	8-36-114
	4-23-46	Power antenna switch	1-88-205
Parking brake indicator lamp switch and bracket	8-31-10	Power brake air cleaner	5-113-17
Parking brake lever (foot operated) . . .	4-25-1		to
	to		5-113-35
	4-25-32	Power brake hose connector	5-110-18
Parking brake lever (hand operated) . .	4-08-1	Power brake power unit	5-100-2
	to		to
	4-08-36		5-100-212
Parking brake lever return spring . . .	4-19-1	Power brake vacuum hose	5-111-17
Parking brake operating lever	4-26-1	Power brake vacuum check valve . . .	5-105-1
	to		to
	4-26-27		5-105-14
Parking brake signal lamp	8-31-10	Power steering gear piston	19-56-6
	to		to
	8-31-18		19-56-90
Parking brake signal lamp switch	8-31-10	Power steering gear valve	19-57-1
Pedal, accelerator	14-01-1		to
	to		19-57-64
	14-01-38	Power steering hose	19-58-7
Pedal, clutch	6-38-1		to
	to		19-58-31
	6-38-23	Power steering oil pump	19-54-2
Pedal and bushing, brake	5-27-1		to
	to		19-54-263
	5-27-12	Power unit mounting bracket	5-101-1
Pillar, body	23-36-3		to
	to		5-101-16
	23-36-123	Pressure plate and clutch cover . . .	6-14-1
Pin, piston	9-36-5		to
	to		6-14-4
	9-36-7	Printed circuit board	8-19-15
Pinion, differential	3-07-1	Propeller shaft	16-02-1
	to		to
	3-07-2		16-02-5
Pinion, speedometer	21-85-5	Propeller shaft flange	16-20-1
	to		to
	21-85-61		16-20-3
Pinion, trans. main drive, man.	21-09-2	Propeller shaft yoke	16-20-1
	to		to
	21-09-33		16-20-3
Pipe, exhaust	11-05-1	Pulley, fan and alternator idler	7-04-1
	to		to
	11-05-30		7-04-20
Pipe, tail	11-09-3	Pulley, fan drive	7-06-1
	to		to
	11-09-37		7-06-14
Piston, master cylinder	5-44-3	Pump, fuel	14-73-1
	to		14-73-2
	5-44-11	Pump, oil	10-07-2
Piston, power steering gear	19-56-6		to
	to		10-07-14
	19-56-90	Pump, oil, auto. trans.	21-118-6
Piston, wheel cylinder	5-70-1		to
Piston, w/pin	9-34-5		21-118-58
Piston pin	9-36-5	Pump, oil, power steering	19-54-2
	to		to
	9-36-7		19-54-263
Piston ring set	9-35-1	Pump, water	7-42-1
Plate, clutch cover and pressure	6-14-1		to
	to		7-42-4
	6-14-4		

PART NAME	CODE	PART NAME	CODE
Q		Rear door automatic lamp switch	8-12-2
Quarter lamp	8-11-2	Rear spring	17-11-3
	to	to	17-11-40
	8-11-29	Rear spring bumper	17-19-3
R		to	17-19-21
Rack, luggage	1-74-1	Rear spring center bolt	17-14-10
Rack, roof rail and luggage	23-40-82	Rear spring clip	17-15-1
	to	to	17-15-30
	23-40-192	Rear spring leaf	17-12-4
Radiator core	7-11-3	to	17-12-12
	to	Rear spring shackle	17-16-1
Radiator core fan shroud	7-11-60	to	17-16-8
	7-08-2	Rear spring silent block	17-17-3
	to	to	17-17-5
	7-08-13	Rear window defogger	1-47-1
Radiator cross bar	7-33-1	to	1-47-26
	to	Rear window defogger switch	1-47-7
	7-33-18	Receiver, ash	23-02-2
Radiator drain cock	7-13-2	to	23-02-145
Radiator filler cap	7-12-1	Receiver drier	24-26-20
Radiator grille	7-16-11	to	24-26-102
	to	Regulator, door	23-14-10
	7-16-117	to	23-14-153
Radiator grille medallion	7-17-1	Remote control and door lock	23-18-5
	to	Remote control gearshift, man. trans.	21-42-11
	7-17-21	to	21-42-31
Radiator grille ornament	7-17-1	Repair package, wheel cylinder	5-63-1
	to	Ring set, piston	9-35-1
	7-17-21	Rocker, valve	9-43-1
Radiator hose	7-14-4	to	9-43-19
	to	Rocker panel	23-51-5
	7-14-31	to	23-51-52
Radiator stone deflector	7-35-2	Rod, accelerator pedal to accelerator shaft	14-07-15
Radiator yoke	7-26-2	Rod, carburetor interconnecting	14-15-3
	to	to	14-15-10
	7-26-38	Rod, clutch pedal	6-50-1
Radio	1-87-1	to	6-50-10
	to	Rod, clutch release	6-24-1
	1-87-404	to	6-24-14
Radio antenna	1-88-1	Rod, connecting	9-31-4
	to	to	9-31-10
	1-88-205	Rod, fuel pump push	14-77-17
Radio foot selector switch	1-87-5	to	19-48-53
Radio power antenna switch	1-88-205	Rod, gearshift control, std.	19-48-1
Rail, trans. gearshift, man.	21-34-42	to	19-48-53
	to	Rod, master cylinder piston push	5-47-2
	21-34-53	to	5-47-13
Rear axle brake tube	5-54-4		
Rear axle differential and carrier	3-03-1		
	to		
	3-03-36		
Rear axle housing	3-02-1		
	to		
	3-02-20		
Rear blower switch	24-24-5		
Rear brake drum	22-04-2		
	to		
	22-04-14		
Rear bumper face bar	13-66-2		
	to		
	13-66-153		

1969 PASSENGER CAR PARTS CATALOG

ALPHABETICAL
INDEX

Page AL-14

PART NAME	CODE	PART NAME	CODE
Rod, steering knuckle tie	2-07-1 to 2-07-28	Service parts and carburetor assemblies Cont'd	14-35-39 14-37-24 14-39-7 14-39-45 14-41-3 14-41-7 14-41-22 14-43-5 14-48-2 14-50-13 14-50-25
Rod, wheel cylinder piston push	5-12-1		
Rod, valve push	9-42-1		
Rod and lever, gearshift, man. trans.	21-30-2 to 21-30-433		21-137-5 to 21-137-205
Roller and bushing, universal joint cross	16-10-1 to 16-10-3	Servos, auto. trans.	21-137-5 to 21-137-205
Roof rail and luggage rack	23-40-82 to 23-40-192	Set, auto. trans.	21-01-3
Roof unit blower switch	24-24-5	Set, drive gear and pinion	3-19-1 to 3-19-15
Rotating headlamp door switch	8-53-33	Set, man. trans.	21-01-3
Rotor, oil pump	10-14-18	Set, piston ring	9-35-1
Run, window glass	23-42-13 to 23-42-59	Shackle, rear spring	17-16-1 to 17-16-8
S			
Screw, drive gear	3-20-1	Shaft, accelerator	14-11-1 to 14-11-48
Screw, wheel cylinder bleeder	5-67-1	Shaft, brake pedal	5-29-1
Seal, body	23-31-33 to 23-31-205	Shaft, clutch pedal	6-43-1 to 6-43-13
Seal, crankshaft rear bearing oil	9-11-1 to 9-11-7	Shaft, clutch torque	6-52-1 to 6-52-17
Seal, drive shaft oil	3-35-14	Shaft, differential pinion	3-08-1 to 3-08-2
Seal, fender	12-02-5 to 12-02-10	Shaft, drive	3-32-1 to 3-32-12
Seal, trans. main shaft and bearing oil. man.	21-22-2	Shaft, input, auto. trans.	21-129-5 to 21-129-24
Seal, trans. output shaft bearing oil	21-22-2 to 21-22-4	Shaft, main, man. trans.	21-16-3
Seal, water pump	7-46-1	Shaft, oil pump drive	10-09-1 to 10-09-7
Seat, front	23-45-31 to 23-45-204	Shaft, output, auto. trans.	21-05-1 to 21-05-35
Seat, second and third	23-48-17 to 23-48-206	Shaft, output, man. trans.	21-16-3
Seat belt	1-67-1	Shaft, propeller	16-02-1 to 16-02-5
Seat spring	23-49-1	Shaft, reverse idler gear, man. trans.	21-12-1 to 21-12-2
Second and third seat	23-52-1 to 23-48-17	Shaft, steering gear, std.	19-19-4 to 19-19-70
Section, front	23-48-206	Shaft, steering gear, power	19-19-1 to 19-19-72
Service parts and carburetor assemblies	23-12-23 14-30-2 14-30-4 14-30-7 14-30-8 14-30-27 14-30-28 14-30-30 14-35-1 14-35-6 14-35-9 14-35-33	Shaft, sway bar	17-29-5 to 17-29-20

PART NAME	CODE	PART NAME	CODE
Shaft, torque convertor reaction, auto. trans.	21-129-5 to 21-129-24	Starting motor	8-52-4 to 8-52-389
Shaft and coupling, steering column, Power	19-15-4 to 19-15-111	Starting motor component parts	8-52-4 to 8-52-389
Shaft and coupling, steering column, std.	19-15-4 to 19-15-77	Steering column bracket, power	19-31-1 to 19-31-7
Shield, battery heat	13-35-1	Steering column bracket, std.	19-31-1 to 19-31-7
Shield, fender	12-04-4 to 12-04-25	Steering column gearshift tube, power	19-46-3 to 19-46-60
Shock absorber	1-07-1 17-23-3 to 17-23-57	Steering column gearshift tube, std.	19-46-3 to 19-46-55
Shock absorber component parts	17-26-4	Steering column jacket, power	19-14-1 to 19-14-108
Shock absorber support	17-24-28	Steering column jacket, std.	19-14-1 to 19-14-50
Shoe and lining, wheel brake	5-03-1 to 5-03-23	Steering column shaft and coupling, power	19-15-4 to 19-15-111
Shroud, radiator core fan	7-08-2 to 7-08-13	Steering column shaft and coupling, std.	19-15-4 to 19-15-77
Side marker lamp and x-press super light	8-14-1 to 8-14-23	Steering column support, power	19-31-1 to 19-31-7
Spare wheel carrier	22-20-29 to 22-20-87	Steering column support, std.	19-31-1 to 19-31-7
Spark plug	8-36-114	Steering gear, power	19-01-4 to 19-01-62
Speed control brake switch	14-02-32	Steering gear, std.	19-01-3 to 19-01-8
Speedometer	8-37-371	Steering gear housing, power	19-02-4 to 19-02-69
Speedometer pinion	21-85-5 to 21-85-61	Steering gear housing, std.	19-02-4 to 19-02-17
Spring accelerator pedal return	14-06-1 to 14-06-10	Steering gear shaft, power	19-19-4 to 19-19-72
Spring, accelerator pedal to accelerator shaft rod	14-07-15	Steering gear shaft, std.	19-19-4 to 19-19-70
Spring, brake shoe guide	5-26-1 to 5-26-4	Steering knuckle	2-03-3
Spring, clutch pressure	6-16-1	Steering knuckle tie rod	2-07-1 to 2-07-28
Spring, clutch release bearing return	6-20-14	Steering link gear arm and idler arm, power	19-27-2 to 19-27-51
Spring, clutch release fork return	6-27-5	Steering link gear arm and idler arm, std.	19-27-2 to 19-27-51
Spring, clutch release overcenter	6-35-1 to 6-35-15		
Spring, parking brake lever return	4-19-1		
Spring, rear	17-11-3 to 17-11-40		
Spring, seat	23-52-1		
Spring, transmission rod return	14-06-1 to 14-06-10		
Sprocket, camshaft	9-17-5 to 9-17-9		
Sprocket, crankshaft	9-08-5		
Starter and ignition switch	8-35-59		

PART NAME	CODE	PART NAME	CODE
Steering linkage knuckle arm	2-05-4	Switch, a/cond. and heater control push button	24-24-150
Steering wheel, power	19-30-4	Switch, a/cond. and heater evaporator temp. control	24-24-150
	to	Switch, ambient, w/automatic control	24-24-5
Steering wheel, std.	19-30-19	Switch, auto. door lamp	8-12-2
	19-30-4		to
	to		8-12-12
Stop, manifold heat control valve	19-30-18	Switch, auto. headlamp dimmer, scanner	1-04-14
	9-62-1	Switch, back-up lamp	8-56-2
	to	Switch, blower motor	24-24-5
Stop and turn signal lamp	9-62-2	Switch, brake system indicator	5-58-9
	8-55-1	Switch, brake system indicator lamp	8-31-10
	to	Switch, C pillar lamp	8-05-14
Stop lamp	8-55-300	Switch, clutch, w/auto. temp. control	24-24-150
	8-58-60	Switch, deck lid lock release, electric	23-19-94
	to	Switch, deck lid lock release, vacuum	23-19-94
Stop lamp switch	8-58-79	Switch, dome lamp	8-05-6
Strainer, oil	8-58-60	Switch, electric front door lock	23-18-103
Strap, battery hold-down	10-23-7	Switch, electric seat adjuster	23-47-446
Striker, body	13-34-3	Switch, electric window lift	23-54-167
	23-08-12	Switch, emergency flasher unit	1-06-3
	to	Switch, folding top	23-58-532
Striker, hood latch	23-08-75	Switch, foot dimmer	8-53-150
Strip, door protector	15-13-2	Switch, front door automatic lamp	8-12-2
Structure, frame or front frame	1-135-1	Switch, front door power vent	23-41-170
	13-01-1	Switch, headlamp	8-53-33
	to	Switch, headlamp and instrument lamp	8-53-270
Stud, battery hold-down	13-01-6	Switch, heater blower	1-48-770
Stud, throttle linkage ball	13-36-5	Switch, horn	8-33-90
	14-13-1	Switch, ignition	8-35-4
	to		to
Stud and gasket, exhaust pipe flange	14-13-5		8-35-95
	11-06-3	Switch, ignition and starter	8-35-59
	to	Switch, instrument panel dimmer	8-35-150
Stud and nut, wheel driving	11-06-14	Switch, lockout, w/window lift and v/wing switch housing	23-41-170
	22-05-14	Switch, low oil pressure	8-53-327
	to	Switch, map and courtesy lamp	8-42-1
Support, brake	22-05-24		to
	5-13-1		8-42-25
	to	Switch, master, clutch and bracket w/auto. temp. control	24-24-150
Support, engine front	5-13-35	Switch, master, w/auto. temp. control	24-24-150
	9-64-18	Switch, neutral starter, auto trans.	21-113-24
	to		to
Support, fuel tank	9-64-37		21-113-29
	14-88-21	Switch, parking brake indicator lamp	8-31-10
	to	Switch, push button, w/auto. temp. control	24-24-150
Support, muffler	14-88-42	Switch, radio foot selector	1-87-5
Support, steering column, power	11-02-1	Switch, radio power antenna	1-88-205
	19-31-1	Switch, rear blower motor	24-24-5
	to	Switch, rear door automatic lamp	8-12-2
Support, steering column, std.	19-31-7	Switch, rear window defogger	1-47-7
	19-31-1	Switch, recirculating vacuum, w/auto. temp. control	24-24-150
	to	Switch, roof unit blower	24-24-5
Support, tail pipe	19-31-7	Switch, rotating headlamp door	8-53-33
	11-10-3	Switch, speed control brake	14-02-32
	to	Switch, stop lamp	8-58-60
Support, shock absorber	11-10-43	Switch, temp. sending unit	8-37-155
Support, wheel brake	17-24-28	Switch, trunk lamp	8-13-2
	5-13-1	Switch, turn signal lamp	8-50-82
	to	Switch, underhood lamp	1-13-10
Support and clamp, exhaust pipe	5-13-35		
	11-08-5		
	to		
Sway bar shaft	11-08-24		
	17-29-5		
	to		
Switch, air conditioning and heater blower	17-29-20		
	24-24-5		

PART NAME	CODE	PART NAME	CODE
Switch, windshield wiper	23-67-160	Throttle control cable mounting bracket	14-26-6
Switch and bracket, headlamp	8-53-33	to	14-26-11
Switch and bracket, parking brake		Throttle linkage ball stud	14-13-1
indicator lamp	8-31-10	to	14-13-5
Switch and cable, push button vacuum		Timing chain	9-20-1
w/auto. temp. control	24-24-150	Top, folding	23-58-3
Switch and cover, dome lamp	8-05-14	to	23-58-607
Switch and dome lamp	8-05-2	to	9-46-4
	8-05-32	Torque converter	9-46-229
Switch and lamp, C pillar	8-05-6	to	2-14-1
	8-05-32	Torsion parts, front suspension	2-14-15
Switch and lock cylinder, ignition	8-35-4	Transmission, auto.	21-02-1
	8-35-115	Transmission, man.	21-02-1
Switch package, neutral starter	21-113-24	Transmission band, auto.	21-136-5
Switch package, window lift	23-54-167	to	21-136-236
Switch w/bezel, electric window lift	23-41-170	Transmission case, auto.	21-03-1
Switch w/cover, arm rest courtesy lamp	8-11-6	to	21-03-30
Switches	8-53-33	Transmission case, man.	21-03-1
	8-53-327	Transmission case cover, man.	21-29-3
		to	21-29-25
T		Transmission case extension, auto.	21-04-1
Tachometer	1-36-1	to	21-04-11
Tail lamp	8-55-1	Transmission case extension, man.	21-04-1
	8-55-300	to	21-04-17
Tail pipe	11-09-3	Transmission case housing, man.	21-29-3
	11-09-37	to	21-29-25
Tail pipe support	11-10-3	Transmission clutch, auto.	21-133-7
	11-10-43	to	21-133-65
Tailgate	23-54-1	Transmission clutch gear, man.	21-14-1
	23-54-227	to	21-14-21
Tailgate window wiper and washer	23-67-2	Transmission control lever, auto.	21-142-12
	23-67-268	to	21-142-18
Tank, fuel	14-86-1	Transmission countershaft bearing, man.	21-25-2
	14-86-85	to	21-25-6
Tappet, valve	9-41-1	Transmission countershaft gear, man.	21-15-2
	9-41-4	to	21-15-33
Tee brake tube	5-58-1	Transmission countershaft, man.	21-24-2
	5-58-12	to	21-24-22
Temperature gauge	8-37-372	Transmission front and rear planet	
Temperature sending unit switch	8-37-155	pinion carrier and components, auto.	21-134-5
Terminal block	8-21-1	to	21-134-45
Thermal drive unit fan	7-07-1	Transmission gearshift control	21-30-2
Thermostat	7-41-4	to	21-30-433
Thermostat, manifold heat control valve	9-58-1	Transmission gearshift fork, auto.	21-39-3
	9-58-14	Transmission gearshift fork, man.	21-39-3
Throttle control bell crank	14-14-1	Transmission gearshift lever and rod,	
	14-14-26	man.	21-30-2
Throttle control cable	14-25-5	to	21-30-433
	14-25-17		

PART NAME	CODE	PART NAME	CODE
Transmission gearshift rail	21-34-42	Transmission set, auto	21-01-3
	to	Transmission set, man.	21-01-3
	21-34-53	Transmission speedometer cable, auto.	21-84-1
Tranxmission gearshift rail, man. . . .	21-34-42		to
	to		21-84-8
	21-34-53	Transmission speedometer cable, man.	21-84-1
Transmission governor, auto.	21-138-2		to
	to		21-84-28
	21-138-38	Transmission speedometer pinion, auto.	21-85-5
Transmission input shaft, auto.	21-129-5		to
	to		21-85-61
	21-129-24	Transmission torque converter reaction,	
Transmission main drive gear, man. . .	21-10-3	auto.	21-129-5
	to		to
	21-10-31		21-129-24
Transmission main drive pinion, man. .	21-09-2	Transmission valve body and valves,	
	to	auto.	21-139-4
	21-09-33		to
Transmission main shaft bearing oil			21-139-154
seal, man.	21-22-2	Transmission vent, man.	21-02-6
Transmission main shaft, man.	21-16-3	Tray, battery support	13-33-61
Transmission main shaft bearing, man.	21-19-2		to
	to		13-33-69
	21-19-15	Trim finish moulding	23-26-2
Transmission main shaft pilot bearing,			to
man.	21-17-2		23-26-87
	to	Trough, drain	23-59-35
	21-17-7		to
Transmission neutral starter and			23-59-61
back-up light switch	21-113-24	Trunk lamp	8-13-2
Transmission oil filter, auto.	21-117-1		to
Transmission oil pan	21-119-3		8-13-5
	to	Trunk lamp switch	8-13-2
	21-119-25	Tube, booster brake	5-107-34
Transmission oil pump, auto.	21-118-6		to
	to		5-107-36
	21-118-58	Tube, brake	5-55-1
Transmission output shaft, auto.	21-05-1	Tube, fuel line	14-89-2
	to		to
	21-05-35		14-89-58
Transmission output shaft bearing oil		Tube, master cylinder brake	5-52-10
seal, auto.	21-22-2	Tube, rear axle brake	5-54-4
Transmission output shaft, man.	21-16-3	Tube, steering column gearshift, power	19-46-3
Transmission output shaft pilot bearing	21-17-2		to
	to		19-46-60
	21-17-7	Tube, steering column gearshift, std. .	19-46-3
Transmission package, auto.	21-01-3		to
Transmission package, man.	21-01-3		19-46-55
Transmission parking lock	4-10-8	Tube, insert, cylinder tube	5-66-6
	to	Tubing and cover, brake	5-53-3
	4-10-40		to
Transmission remote control gearshift,			5-53-4
man.	21-42-11	Turn signal and stop lamp	8-55-1
	to		to
	21-42-43		8-55-300
Transmission reverse idler gear, man.	21-11-1	Turn signal lamp switch	8-50-82
	to		
	21-11-9		
Transmission reverse idler gear shaft,			
man.	21-12-1		
	to		
	21-12-2		
Transmission rod return spring	14-06-1		
	to		
	14-06-10		
Transmission servos, auto.	21-137-5		
	to		
	21-137-205		

U

PART NAME	CODE	PART NAME	CODE
Unit, fan fluid drive	7-07-1	Water pump	7-42-1
Unit, fan thermal drive	7-01-1	to	7-42-4
Unit Power brake power	5-100-2	Water pump elbow	7-48-22
	to	Water pump gasket	7-44-3
	5-100-212	to	7-44-4
Universal joint	16-03-1	Water pump housing	7-43-1
Universal joint cross	16-08-6	to	7-43-18
	to	Water pump impeller	7-45-31
	16-08-7	Water pump nipple	7-48-22
Universal joint cross roller and bushing	16-10-1	Water pump seal	7-46-1
	to	Weatherstrip	23-63-14
	16-10-3	to	23-63-183
Universal joint slip spline yoke	16-14-1	Weight, wheel balance	22-09-1
		Wheel	22-01-5
		to	22-01-58
V		Wheel, steering, power	19-30-4
Valve, exhaust	9-39-6	to	19-30-19
	to	Wheel, steering, std.	19-30-4
	9-39-21	to	19-30-18
Valve, intake	9-39-1	Wheel balance weight	22-09-1
	to	Wheel brake adjuster	5-20-1
	9-39-21	to	5-20-20
Valve, manifold heat control	9-59-10	Wheel brake cylinder	5-64-1
	to	to	5-64-7
	9-59-15	Wheel brake support	5-13-1
Valve, oil pressure relief	10-22-11	to	5-13-35
	to	Wheel cylinder bleeder screw	5-67-1
	10-22-41	Wheel cylinder boot	5-69-1
Valve, power brake vacuum check	5-105-1	Wheel cylinder inlet connector	5-66-6
	to	Wheel cylinder piston	5-70-1
	5-105-14	Wheel cylinder piston cup	5-71-1
Valve body and valves, auto. trans.	21-139-4	to	5-71-2
	to	Wheel cylinder piston push rod	5-12-1
	21-139-154	Wheel cylinder repair package	5-63-1
Valve grinding gasket package	9-39-1	Wheel cylinder tube insert	5-66-6
Valve push rod	9-42-1	Wheel driving stud and nut	22-05-14
Valve rocker	9-43-1	to	22-05-24
	to	Wheel hub cap	22-08-5
	9-43-19	to	22-08-57
Valve tappet	9-41-1	Window and vent wing	23-64-1
	to	to	23-64-315
	9-41-4	Window glass run	23-42-13
Valves, power steering gear	19-57-1	to	23-42-56
	to	Window lift (electric)	23-41-4
	19-57-64	to	23-41-270
Valves and valve body, auto. trans.	21-139-4	Window lift (manual)	23-39-2
	to	to	23-39-53
	21-139-154	Window lift switch package	23-54-167
Vent, cowl	23-61-42		
	to		
	23-61-124		
Vent, man. trans.	21-02-6		
Ventilating system, cap-closed crankcase	10-02-53		
	to		
	10-02-67		
W			
Washer, window	1-82-2		
Washer, windshield	1-82-2		
	23-67-2		
	to		
	23-67-268		

PART NAME	CODE	PART NAME	CODE
Window washer	1-82-2		
Windshield	23-66-65		
	to		
	23-66-239		
Windshield washer	1-82-2		
	23-67-2		
	to		
	23-67-268		
Windshield wiper	23-67-2		
	to		
	23-67-268		
Windshield wiper switch	23-67-160		
Wing, window and vent	23-64-1		
	to		
	23-64-315		
Wiper, windshield	23-67-2		
	to		
	23-67-268		
Wiring, chassis and body	8-15-2		
	to		
	18-15-53		
Wiring instrument panel	8-19-2		
	to		
	8-19-87		
X			
X-press super light and side marker lamp	8-14-1		
	to		
	8-14-23		
Y			
Yoke, propeller shaft	16-20-1		
	to		
	16-20-3		
Yoke, radiator	7-26-2		
	to		
	7-26-38		
Yoke, universal joint slip spline	16-14-1		

PART		PART		PART		PART		PART	
NUMBER	CODE	NUMBER	CODE	NUMBER	CODE	NUMBER	CODE	NUMBER	CODE
0120	23-84-3	1364	23-102-3	1842	23-109-5	2749	23-108-98		23-86-19
0141	23-76-79	1367	23-102-3	1843	23-109-5	2750	23-108-98		23-86-36
	23-112-21	1373	23-102-3	1844	23-109-5	2754	23-108-98		23-86-40
	23-112-153	1380	23-102-3	1845	23-79-79	2756	23-108-98		23-96-3
0167	23-108-27	1521	23-113-2	1902	23-112-45	2760	23-76-35		23-96-8
	23-108-84	1522	23-113-2	1903	23-114-10	2761	23-76-35		23-96-10
0181	23-111-6	1523	23-113-2	1905	23-112-108	2762	23-76-35		23-96-15
0271	23-112-45	1525	23-113-2	1912	23-112-12	2767	23-76-28		23-96-21
0273	23-81-3	1530	23-113-3	1915	23-112-12		23-108-98	2888	23-108-19
0274	23-84-3	1548	23-113-2	1918	23-115-5		23-112-18		23-108-25
0414	23-86-19	1566	23-113-30	1920	23-112-46		23-115-6		23-108-27
1002	23-86-3	1623	23-92-8	1922	23-112-12	2782	23-86-19		23-108-29
1009	23-86-19	1678	23-79-3	1935	23-112-108	2784	21-101-33		23-108-30
1010	23-86-19	1679	23-79-3	1936	23-112-108		23-86-10		23-108-31
1011	23-86-3	1681	23-79-33	1937	23-108-71		23-108-71		23-108-34
1012	23-86-3	1682	23-79-33	1938	23-114-10		23-111-6		23-108-37
1013	23-86-3	1685	23-79-3	1940	23-112-153		23-112-4		23-108-71
1044	4-24-69	1686	23-79-3	1942	23-112-153	2787	23-96-3		23-108-98
	23-86-3	1688	23-79-33	1943	23-112-12	2788	23-71-8		23-108-142
1045	4-24-69	1697	23-81-3	1944	23-112-153		23-112-21	2893	23-86-10
	23-86-3	1700	23-79-33	1954	23-112-12	2789	23-77-5	2894	23-86-19
1047	4-24-69	1701	23-79-33	1956	23-112-45		23-78-2		23-99-9
	23-86-3	1703	23-79-33	1957	23-112-45		23-103-48	2895	23-86-10
1048	4-24-69	1705	23-79-33	1959	23-113-84		23-103-49	2900	23-86-10
	23-86-3	1706	23-79-33	1960	23-112-153		23-112-88		23-86-19
1049	4-24-69	1707	23-79-33	1965	23-114-10	2813	23-99-4	2901	23-76-79
	23-86-3	1711	23-79-33	1968	23-112-46	2820	23-99-6		23-86-10
1050	4-24-69	1716	23-79-33	1972	23-112-46	2838	23-86-19		23-86-19
	23-86-3	1717	23-79-33	1974	23-112-45	2839	21-101-33		23-111-37
1051	4-24-69	1725	23-79-33	1975	23-112-45		23-111-6	2902	23-109-5
	23-86-3	1734	23-79-3	1990	23-112-45	2840	23-86-10		23-111-6
1057	4-24-69	1735	23-79-3	1993	23-113-84		23-86-19		23-112-4
	23-86-3	1738	23-79-33	1994	23-112-153		23-86-24	2936	23-86-14
1064	23-86-35	1740	23-79-33	1996	23-113-84	2841	23-86-10	2942	23-108-19
1070	23-86-35	1743	23-79-33	1998	23-112-45		23-96-3		23-108-44
1071	23-86-35	1747	23-79-3	2015	23-96-26		23-111-6		23-108-71
1073	23-86-3	1751	23-79-3	2027	23-96-8	2842	23-86-19		23-108-98
1074	23-86-3	1752	23-79-3	2031	23-109-23	2851	23-78-3		23-112-18
1075	23-86-3	1753	23-79-33	2092	23-115-10	2858	23-108-29	2943	23-78-2
1076	4-24-69	1754	23-79-3	2270	23-76-28		23-108-71		23-78-3
	23-86-3	1769	23-79-3	2405	23-115-8		23-108-98	2945	23-103-10
1077	4-24-69	1772	23-79-33	2482	23-86-11	2860	23-99-9	2951	23-96-3
	23-86-3	1782	23-79-3	2572	23-113-84	2861	23-86-19	2952	23-109-6
1079	4-24-69	1783	23-79-64	2577	23-78-2	2876	21-101-33	2963	23-86-8
	23-86-3	1785	23-79-33		23-78-3		23-82-39	2964	23-111-6
1107	23-103-3	1786	23-79-33	2581	23-86-19		23-86-24	2999	23-103-10
1109	23-103-3	1800	23-79-33		23-86-24		23-86-36	3411	23-84-9
1111	23-103-3	1801	23-79-33	2588	23-91-6		23-102-11	3412	23-86-3
1112	23-103-3	1803	23-109-5	2589	23-86-24	2877	23-86-19		23-86-35
1115	23-103-3	1804	23-109-5	2602	23-93-8		23-86-24		23-102-3
1158	23-112-75	1805	23-109-5	2603	23-111-37		23-86-35	3494	23-92-5
1192	23-103-3	1806	23-109-5	2604	23-86-10		23-86-36	3517	23-96-8
1208	23-76-9	1807	23-109-5	2605	23-86-11		23-86-40		23-101-3
1212	23-76-9	1808	23-109-5		23-111-37		23-96-10	3522	4-24-69
1213	23-76-9	1810	23-79-33		23-112-4	2878	23-71-6	3523	4-24-69
1214	23-76-11		23-109-38	2608	23-76-28		23-76-7	3532	4-24-69
	23-76-63	1811	23-109-5		23-76-30		23-76-9	3533	4-24-69
1230	23-76-10	1812	23-109-5	2609	23-76-25		23-76-17	3539	4-24-69
	23-76-63	1813	23-79-33		23-76-35		23-76-66	3550	23-71-1
1232	23-76-10	1814	23-109-5		23-108-71		23-76-79	3551	23-71-1
1240	23-76-76	1816	23-109-5		23-108-142		23-77-7	3553	23-71-1
1249	23-76-11	1817	23-109-5	2656	23-79-68		23-79-34	3557	4-24-69
1250	23-76-9	1818	23-109-5		23-96-3		23-79-65	3563	23-71-1
1280	23-76-16	1821	23-109-5		23-112-18		23-86-19	3567	23-71-1
1301	23-102-3	1822	23-109-5	2657	23-79-34		23-96-3	3573	4-24-69
1304	23-102-3	1825	23-109-5		23-86-24		23-96-8	3583	23-96-8
1306	23-102-3	1826	23-109-5		23-112-88		23-96-12		23-101-3
1312	23-102-3	1834	23-79-79	2700	23-108-98		23-103-10	3596	23-86-3
1318	23-102-3	1835	23-109-5	2701	23-108-98		23-112-21	3598	23-93-15
1321	23-102-3		23-109-6	2702	23-108-98		23-112-88	3599	23-93-9
1325	23-102-3	1837	23-79-33	2703	23-108-98	2879	21-101-33	3700	23-86-35
1341	23-102-3	1839	23-109-5	2705	23-108-98		23-76-17	3701	23-103-16
1361	23-102-3	1840	23-79-33	2729	23-108-32		23-77-9	3705	23-86-35
1363	23-102-3	1841	23-109-5	2731	23-108-32		23-86-1	3710	23-86-35

1969 PASSENGER CAR PARTS CATALOG

PART NUMBER	CODE	PART NUMBER	CODE	PART NUMBER	CODE	PART NUMBER	CODE	PART NUMBER	CODE
3711	23-86-36	5819	23-108-5	5993	23-108-16	6413	23-109-36	6710	23-109-4
3734	23-86-35	5820	23-108-5	6000	23-77-3	6415	23-109-36	6711	23-109-4
3737	23-86-36	5821	23-108-5		23-79-64	6416	23-109-36	6712	23-109-4
3771	23-86-36	5822	23-108-5		23-84-3	6417	23-109-36	6713	23-109-4
3776	23-86-35	5823	23-108-5		23-86-19	6418	23-109-36	6715	23-109-4
3784	23-86-36	5825	23-108-5		23-96-8	6419	23-109-36	6716	23-109-4
3862	23-108-32	5826	23-108-5		23-96-15	6422	23-109-36	6726	23-109-4
4107	23-77-3	5827	23-108-5		23-101-3	6424	23-109-36	6727	23-109-4
4112	23-84-3	5828	23-108-5		23-102-3	6425	23-109-36	6730	23-109-4
4113	23-84-3	5829	23-108-5		23-103-10	6426	23-109-36	6731	23-109-4
4121	23-82-30	5830	23-108-5		23-108-16	6428	23-109-36	6732	23-109-4
4149	23-79-64	5831	23-108-5	6001	23-96-10	6429	23-109-36	6735	23-109-4
4183	23-79-67	5832	23-108-5		23-101-3	6430	23-109-36	6750	23-109-4
4193	23-78-2	5833	23-108-5		23-108-16	6431	23-109-36	6751	23-109-4
4203	23-84-3	5834	23-108-5	6002	23-86-4	6432	23-109-36	6752	23-109-4
4210	23-84-3	5835	23-108-5		23-92-8	6433	23-109-36	6753	23-109-4
4220	23-84-3	5836	23-108-5		23-101-3	6434	23-109-36	6754	23-109-4
4239	23-84-3	5837	23-108-5		23-108-16	6435	23-109-36	6755	23-109-4
4252	23-84-3	5838	23-108-5	6003	23-108-16	6436	23-109-36	6757	23-109-4
4254	23-84-3	5840	23-108-5	6004	23-108-16	6437	23-109-36	6758	23-109-4
4255	23-84-3	5841	23-108-5	6005	23-108-16	6439	23-109-36	6759	23-109-4
4259	23-84-3	5842	23-108-5	6008	23-86-14	6440	23-109-36	6760	23-109-4
4260	23-84-3	5843	23-108-5	6010	23-108-16	6442	23-109-36	6761	23-109-4
4262	23-84-3	5844	23-108-5	6013	23-86-19	6444	23-109-36	6762	23-109-4
4283	23-84-3	5846	23-108-5	6023	23-76-18	6445	23-109-36	6763	23-109-4
4312	23-77-3	5847	23-108-5	6024	23-71-1	6446	23-109-36	6764	23-109-4
4320	23-79-33	5849	23-108-5		23-76-9	6447	23-109-36	6765	23-109-4
4323	23-79-64	5850	23-108-5		23-76-18	6449	23-109-36	6767	23-109-4
4388	23-108-66	5851	23-108-5		23-79-33	6450	23-109-36	6768	23-109-4
4406	23-71-1	5852	23-108-5		23-82-30	6452	23-109-36	6769	23-109-4
4459	23-96-8	5853	23-108-5		23-82-39	6453	23-109-36	6770	23-109-4
4460	23-96-8	5854	23-108-5		23-84-3	6454	23-109-36	6771	23-109-4
4506	23-78-2	5855	23-108-5		23-96-10	6455	23-109-36	6772	23-109-4
4515	23-78-2	5856	23-108-5		23-109-5	6456	23-109-36	6773	23-109-4
4516	23-78-2	5857	23-108-5		23-112-45	6458	23-109-36	6774	23-109-4
4807	23-109-7	5858	23-108-5	6025	23-76-18	6459	23-109-36	6775	23-109-4
4812	23-78-2	5862	23-108-5		23-108-32	6460	23-109-36	6777	23-109-4
4838	23-78-2	5863	23-108-5		23-108-98	6461	23-109-36	6779	23-109-4
4839	23-78-2	5866	23-108-5		23-111-6	6462	23-109-36	6780	23-109-4
4858	23-96-3	5867	23-108-5	6026	23-76-9	6463	23-109-36	6781	23-109-4
4871	23-78-2	5870	23-108-5		23-76-18	6464	23-109-36	6782	23-109-4
4919	23-79-64	5871	23-108-5		23-76-79	6465	23-109-36	6784	23-109-4
4924	23-86-2	5872	23-108-5		23-79-33	6466	23-109-36	6786	23-109-36
4925	23-86-2	5874	23-108-5		23-109-5	6467	23-109-36	6787	23-109-4
4929	23-108-20	5875	23-108-5		23-112-88	6468	23-109-36	6790	23-109-4
4930	23-108-20	5876	23-108-5	6027	23-76-9	6469	23-109-36	6791	23-109-4
4932	23-108-20	5880	23-108-5		23-79-33	6470	23-109-36	6792	23-109-4
4962	23-109-4	5881	23-108-5		23-96-26	6472	23-109-36	6793	23-109-4
4963	23-108-5	5882	23-108-5		23-102-3	6473	23-109-36	6794	23-109-4
4964	23-109-36	5884	23-108-5	6028	4-24-69	6474	23-109-36	6795	23-109-4
4966	23-108-16	5887	23-108-5		23-102-3	6475	23-109-36	6796	23-109-4
4967	23-76-34	5891	23-108-5	6049	23-108-16	6478	23-109-36	6797	23-109-4
4970	23-108-5	5895	23-108-5	6057	23-108-16	6481	23-109-36	6799	23-109-36
4971	23-76-34	5900	23-108-16	6058	23-108-16	6483	23-109-36	6829	23-109-4
4972	23-109-4	5901	23-108-16	6066	23-108-16	6484	23-109-36	6835	23-109-4
4973	23-109-36	5907	23-108-16	6078	23-108-16	6486	23-109-36	6836	23-109-4
4979	23-76-40	5910	23-108-16	6108	23-86-2	6487	23-109-36	6837	23-109-4
4982	23-76-18	5927	23-108-16	6109	23-86-2	6488	23-109-36	6839	23-109-4
4987	23-71-1	5934	23-108-16	6110	23-86-2	6491	23-109-36	6840	23-109-4
5014	23-108-5	5935	23-108-16	6153	23-108-32	6492	23-109-36	6841	23-109-4
5427	23-109-4	5936	23-108-16	6170	23-108-32	6495	23-109-36	6842	23-109-4
5800	23-108-5	5951	23-108-16	6184	23-108-32	6497	23-109-36	6843	23-109-4
5801	23-108-5	5952	23-108-16	6215	23-109-36	6498	23-109-36	6845	23-109-4
5802	23-108-5	5953	23-108-16	6400	23-109-36	6499	23-109-36	6847	23-109-4
5803	23-108-5	5956	23-108-16	6401	23-109-36	6537	23-109-4	6849	23-109-4
5806	23-108-5	5960	23-108-16	6402	23-109-36	6544	23-79-33	6850	23-109-4
5807	23-108-5	5965	23-108-16	6403	23-109-36	6545	23-79-33	6851	23-109-4
5810	23-108-5	5966	23-108-16	6405	23-109-36	6700	23-109-4	6854	23-109-4
5811	23-108-5	5967	23-108-16	6406	23-109-36	6701	23-109-4	6855	23-109-4
5812	23-108-5	5971	23-108-16	6407	23-109-36	6702	23-109-4	6856	23-109-4
5814	23-108-5	5976	23-108-16	6409	23-109-36	6705	23-109-4	6857	23-109-4
5816	23-108-5	5977	23-108-16	6410	23-109-36	6706	23-109-4	6858	23-109-4
5817	23-108-5	5978	23-108-16	6411	23-109-36	6708	23-109-4	6861	23-109-4
5818	23-108-5	5985	23-108-16	6412	23-109-36	6709	23-109-4	6862	23-109-4

PART NUMBER	CODE	PART NUMBER	CODE	PART NUMBER	CODE	PART NUMBER	CODE	PART NUMBER	CODE
6864	23-109-4	7131	23-86-3	7721	23-76-34	8740	23-76-19		
6866	23-109-4	7133	4-24-69	7722	23-76-18	8744	23-109-36		
6870	23-109-4		23-86-3	7744	23-108-5	8746	23-109-4		
6918	23-76-34	7134	4-24-69	7756	23-109-4	8754	23-86-2		
6919	23-76-18		23-86-3	7758	23-108-16	8755	23-109-36		
6926	23-76-18	7135	4-24-69	7761	23-109-4	8757	23-109-4		
6927	23-76-34	7136	4-24-69	7764	23-109-4	8759	23-109-36		
6928	23-76-34	7147	23-86-3	7795	23-109-4	8768	23-109-4		
6929	23-76-18	7167	4-24-69	7798	23-109-36	8770	23-109-4		
6930	23-76-34	7171	23-86-3	7924	23-108-98	8772	23-109-4		
6931	23-76-18	7178	23-86-2	7925	23-108-98	8774	23-109-4		
6932	23-76-34	7182	4-24-69	7926	23-108-98	8776	23-108-16		
6933	23-76-18	7185	23-86-2	7927	23-108-98	8796	23-86-2		
6934	23-76-34	7186	23-86-2	7928	23-108-98	8838	23-108-16		
6938	23-76-18	7187	23-86-2	8004	23-109-36	8865	23-76-18		
6939	23-76-34	7188	23-86-2	8036	23-108-5	8871	23-76-34		
6940	23-76-18	7190	23-86-2	8043	23-109-36	8872	23-76-18		
6941	23-76-34	7191	23-86-2	8045	23-109-4	8873	23-76-19		
6942	23-76-18	7192	23-86-2	8051	23-108-5	8878	23-109-36		
6943	23-108-5	7212	23-76-18	8054	23-108-16	8881	23-109-36		
6945	23-76-18	7213	23-76-34	8062	23-109-4	8884	23-109-4		
6946	23-76-34	7216	23-108-5	8066	23-109-36	9412	23-76-18		
6949	23-76-18	7218	23-108-16	8070	23-109-36		23-108-98		
6950	23-76-34	7221	23-109-36	8080	23-109-4	9414	23-79-33		
6951	23-76-19	7223	23-109-4	8310	23-108-5		23-79-79		
6963	23-76-51	7235	23-109-4	8350	23-108-5		23-81-3		
6964	23-76-18	7236	23-76-40	8352	23-108-16		23-84-3		
6966	23-76-19	7237	23-76-45	8381	23-108-5		23-86-19		
6967	23-76-18	7238	23-76-53	8398	23-108-16		23-103-10		
6968	23-76-34	7253	23-108-5	8496	23-108-19		23-108-27		
6971	23-76-45	7258	23-108-16	8498	23-108-19	9415	23-79-33		
6972	23-76-40	7259	23-108-5	8500	23-109-4	9416	23-71-6		
6974	23-76-34	7260	23-108-16	8503	23-108-5		23-76-9		
6982	23-76-45	7261	23-109-36	8506	23-109-36		23-76-18		
6984	23-76-40	7262	23-109-4	8509	23-76-45		23-76-35		
6985	23-108-5	7272	23-109-36	8510	23-76-40		23-84-3		
6986	23-76-45	7273	23-76-40		23-76-45		23-102-3		
6987	23-76-40	7274	23-76-45	8512	23-108-32		23-108-27		
6990	23-76-34	7280	23-109-36	8513	23-108-16		23-108-32		
6991	23-76-18	7284	23-76-19	8516	23-76-34		23-108-98		
6997	23-108-5	7315	23-76-53	8517	23-76-18	9417	23-76-10		
6998	23-76-53	7334	23-86-2	8518	23-76-19		23-81-3		
7003	23-109-36	7340	23-76-40	8561	23-109-36		23-84-3		
7023	23-109-4	7341	23-76-45	8563	23-109-4		23-102-3		
7025	23-109-36	7352	23-109-36	8569	23-108-5	9418	23-108-98		
7027	23-109-36	7356	23-108-5	8574	23-109-36		23-112-88		
7029	23-109-4	7405	23-109-36	8589	23-108-5	9419	23-108-84		
7031	23-109-36	7412	23-109-4	8619	23-109-4	9420	23-71-6		
7032	23-109-36	7413	23-109-4	8620	23-109-36		23-96-10		
7033	23-109-36	7416	23-109-4	8624	23-109-4		23-101-3		
7034	23-109-36	7420	23-109-36	8625	23-109-36		23-108-27		
7035	23-109-36	7430	23-108-16	8627	23-109-4	9421	23-96-12		
7038	23-109-4	7434	23-108-5	8635	23-109-36	9422	23-108-98		
7042	23-109-36	7438	23-108-5	8654	23-108-5		23-112-45		
7043	23-109-36	7441	23-109-36	8664	23-76-34	9423	23-81-3		
7054	23-109-36	7450	23-109-36	8666	23-76-19		23-111-6		
7056	23-109-4	7453	23-109-4	8667	23-76-34	9424	23-76-18		
7059	23-109-4	7465	23-109-36	8668	23-76-18		23-96-8		
7061	23-109-36	7478	23-108-5	8669	23-76-34		23-96-21		
7063	23-109-4	7517	23-108-5	8670	23-76-18		23-108-27		
7065	23-109-36	7520	23-108-16	8676	23-76-34	9427	23-108-98		
7072	23-76-18	7598	23-108-5	8677	23-76-18				
7082	23-109-36	7641	23-109-4	8678	23-108-5				
7084	23-109-4	7664	23-79-64	8682	23-108-16				
7100	23-86-3	7669	23-79-64	8684	23-108-5				
7101	23-86-3	7686	23-109-36	8714	23-76-18				
7104	4-24-69	7691	23-108-5	8715	23-76-34				
7106	23-86-3	7694	23-108-16	8716	23-76-19				
7107	23-86-3	7697	23-109-36	8718	23-108-5				
7115	23-86-3	7699	23-109-4	8720	23-109-36				
7120	4-24-69	7702	23-108-32	8723	23-109-4				
	23-86-3	7709	23-76-45	8730	23-109-4				
7124	4-24-69	7710	23-76-40	8738	23-76-34				
7130	23-86-3	7711	23-109-36	8739	23-76-18				

NOTES

Lined writing area with horizontal ruling lines.



1969 PASSENGER CAR PARTS CATALOG

PART NUMBER	CODE	PART NUMBER	CODE	PART NUMBER	CODE	PART NUMBER	CODE	PART NUMBER	CODE
20 259	19-14-92	147 685	8-17-2	629 792	23-18-109	1327 847	3-22-25	1633 928	3-08-1
53 298	9-07-12	147 686	8-17-2	631 217	6-24-7	1330 873	14-34-55	1633 959	3-07-1
103 740	23-54-4	148 086	8-17-2		21-30-426	1345 803	8-13-5	1633 960	3-06-6
104 148	3-32-12	148 511	8-17-2		21-30-428	1370 460	23-19-68	1633 961	3-07-2
104 918	21-129-10	149 559	8-17-2	632 258	21-30-426	1392 371	3-03-35	1634 619	2-07-2
	21-139-4	150 866	8-17-2	665 151	8-16-10		9-48-8	1634 876	14-15-10
104 920	21-34-47	151 559	8-44-1	670 776	9-46-228	1400 269	17-16-8	1634 984	3-03-3
	21-139-68	151 576	8-44-1		21-136-235	1401 622	7-03-1	1635 232	4-08-16
106 650	8-17-2	151 578	8-44-1	683 057	9-62-1	1401 808	3-22-24		19-48-23
106 652	8-17-2	151 579	8-44-1	698 403	3-11-2	1401 809	3-22-24		21-30-433
106 653	8-17-2	152 191	9-08-5	729 152	23-06-14	1401 810	3-22-25	1635 293	21-12-2
108 636	21-30-353	152 229	3-08-2	855 521	6-16-1	1406 504	6-16-1		21-24-22
115 273	8-44-1	152 233	21-30-2	857 999	16-08-6	1407 347	6-24-3	1635 465	21-138-19
117 142	8-17-2		21-30-6	858 006	16-10-2	1408 867	9-10-19	1635 588	17-23-52
120 114	8-17-2	152 240	8-44-1	862 830	9-58-13	1409 594	9-58-14	1636 461	21-138-13
120 151	8-17-2	152 244	8-44-1	866 591	6-16-1	1426 501	24-25-70	1636 462	21-138-13
120 367	14-01-23	152 267	5-58-13	869 770	5-100-192	1450 769	24-25-8	1636 464	21-138-19
	14-15-3	152 280	8-44-1		23-48-113	1484 356	9-48-125	1636 465	21-138-19
120 369	6-43-7	152 285	8-34-175	870 469	7-14-13	1485 510	17-15-28	1636 470	21-137-8
120 371	17-11-7	152 286	8-34-175		10-01-40	1486 205	19-56-22	1637 657	9-08-5
120 375	14-15-6	152 287	8-34-175		11-09-4	1511 389	9-02-62	1638 461	21-138-29
	14-25-5	152 293	8-34-175	870 821	8-16-4	1527 974	8-27-207	1639 171	2-14-15
	14-26-11	170 998	14-02-32	883 031	5-111-17	1530 398	17-15-30	1639 597	9-59-15
120 376	4-08-13	180 018	23-18-121		10-02-53	1536 242	9-10-26	1639 961	23-02-84
	14-11-40	180 034	21-142-18	903 895	8-16-4	1536 267	21-42-31	1641 579	23-58-395
	17-29-17	180 075	3-03-29	930 304	8-16-5	1536 268	19-56-90	1642 029	23-67-80
	23-64-40		3-11-14	953 717	8-27-100	1553 304	19-46-13	1643 151	9-09-2
	23-67-267	180 077	15-11-3	960 003	9-58-5	1553 305	19-46-14	1643 152	9-09-2
120 392	14-11-39		21-85-61	989 513	23-08-12	1556 082	21-138-26	1643 153	9-09-2
120 394	14-14-20		23-19-105	1057 794	10-03-13	1556 385	19-02-15	1643 154	9-09-2
120 396	9-71-5	180 122	17-29-10	1067 037	6-16-1		21-136-50	1643 155	9-09-2
121 358	2-08-71		21-03-23	1090 918	23-39-15	1556 556	16-20-2	1643 156	9-09-2
121 753	23-17-72	180 124	14-73-1	1118 161	5-58-1	1556 693	4-19-1	1651 493	23-02-38
124 934	21-136-17	180 190	17-23-56	1119 423	5-56-2	1557 575	10-26-27		23-38-29
124 939	14-24-1	181 022	21-03-23	1122 532	9-02-7	1557 581	10-26-65	1658 535	8-27-300
126 049	8-17-2	181 082	3-11-14		9-46-94	1558 352	17-29-11	1658 638	24-25-156
127 934	8-44-1	181 089	9-48-6	1135 197	3-03-26	1558 426	7-03-1	1670 356	19-19-36
131 282	8-44-1	181 130	21-30-407	1137 669	4-25-15	1558 897	9-59-13	1670 694	14-86-85
137 396	5-05-5	181 170	3-03-8		19-48-23	1559 489	21-136-229	1671 341	22-08-57
	5-52-4	189 334	5-29-1		21-30-418	1595 160	1-48-555	1671 405	2-10-68
138 498	14-24-1	192 202	17-17-4		21-30-433	1603 364	11-02-1	1671 446	2-14-15
139 324	21-136-231	193 096	8-44-1	1139 153	21-34-44	1605 298	23-58-399	1671 569	19-48-52
142 303	8-44-1	200 393	24-24-5	1139 204	21-02-6	1613 416	22-08-57	1672 287	21-137-8
142 304	8-44-1	271 502	9-71-5	1142 259	22-04-11	1614 666	9-39-17	1672 358	21-136-55
142 306	8-44-1	272 783	7-14-13	1142 316	22-04-11	1615 349	22-09-1	1672 960	2-08-62
142 307	8-44-1	272 919	23-54-4	1188 502	8-16-5	1615 350	22-09-1	1673 065	17-29-10
142 308	8-44-1	273 752	23-64-181	1239 241	1-47-16	1615 351	22-09-1	1673 324	22-06-10
142 311	8-44-1	274 004	8-44-1	1260 876	9-02-77	1615 352	22-09-1	1673 367	3-03-25
142 312	8-44-1	274 020	8-44-1	1262 318	1-47-17	1615 353	22-09-1	1673 646	9-45-2
142 414	8-44-1	274 148	8-44-1	1264 933	1-13-17	1615 354	22-09-1	1673 974	19-02-17
142 446	8-44-1	274 461	14-89-57		1-47-24	1618 611	19-58-31	1674 746	7-02-16
142 447	8-44-1	307 555	6-14-10		8-16-5	1618 668	7-48-22	1678 280	7-03-1
142 450	8-44-1	308 247	3-11-14	1302 807	8-56-46	1618 695	9-10-19	1686 107	7-12-1
142 451	8-44-1	314 926	6-14-10		21-34-46	1618 701	9-31-10	1686 198	7-13-2
142 452	8-44-1	314 948	3-03-8	1314 619	8-11-8	1618 732	9-15-10	1688 207	8-35-41
142 453	8-44-1	381 875	9-39-17		8-42-10	1618 918	19-48-20	1689 670	24-01-33
142 454	8-44-1	426 094	21-30-6	1315 466	1-48-555	1619 700	22-06-2	1689 765	8-27-308
142 455	8-44-1	429 023	5-05-3		7-14-9	1619 701	22-06-1	1697 607	23-39-45
142 456	8-44-1	433 116	7-42-1	1316 813	23-41-286	1619 702	22-06-2		23-41-250
142 457	8-44-1	443 832	7-14-13	1316 815	21-119-25	1619 703	22-06-1	1704 875	8-05-12
142 630	8-17-2	445 635	8-17-2	1319 554	17-23-53	1622 535	8-01-11	1706 470	23-58-605
142 864	8-17-2	455 107	8-17-2	1319 555	17-23-53	1622 536	8-01-12	1707 384	23-06-14
145 416	8-44-1	455 313	3-08-2	1319 902	17-23-52	1623 104	23-02-107	1708 996	23-64-278
145 511	8-17-2	456 098	8-52-50	1321 044	6-16-1	1626 749	4-10-40	1708 998	23-64-237
147 483	21-133-15	456 867	23-19-204	1323 593	21-133-17	1630 896	21-136-15	1710 268	11-02-1
	21-133-22	600 194	22-06-14	1324 268	9-43-19	1631 520	14-34-4	1710 269	11-02-1
147 488	21-129-5	601 014	5-13-10	1324 464	9-02-17		14-34-5	1719 639	7-14-4
	21-129-10	601 864	3-11-13	1324 470	9-36-7	1632 106	9-43-14	1719 640	7-14-4
	21-139-4	604 593	16-10-2	1325 850	9-48-126	1632 519	9-10-5	1730 009	5-29-1
	21-139-24	611 898	8-16-8	1326 091	9-10-2	1632 522	9-16-6		6-43-1
147 500	21-139-68	612 492	23-18-109	1326 093	9-11-1	1632 523	9-16-6	1730 019	6-43-13
147 680	8-44-1	618 621	10-22-40	1326 836	8-27-4	1632 524	9-16-6	1730 095	14-72-47
147 683	8-17-2	618 622	10-22-41	1327 319	9-20-1	1632 525	9-16-6	1731 525	9-07-8
147 684	8-17-2	620 521	21-19-2	1327 846	3-22-24	1632 526	9-16-6	1732 198	4-08-35

1969 PASSENGER CAR PARTS CATALOG

PART NUMBER	CODE	PART NUMBER	CODE	PART NUMBER	CODE	PART NUMBER	CODE	PART NUMBER	CODE
1732 300	22-06-5	1758 839	21-30-28	1822 380	19-57-63	1854 275	21-139-95	1886 110	1-48-280
1733 562	19-02-69	1769 318	23-58-228	1822 390	19-15-69	1855 152	7-06-1	1886 263	24-28-210
1733 588	19-14-13	1779 955	24-25-219	1822 406	19-19-71	1855 238	9-43-3	1886 265	24-28-210
1733 593	19-01-52	1770 660	8-16-4	1822 442	19-56-83	1855 328	10-07-12	1886 266	24-28-195
1733 602	19-14-18	1774 621	23-31-205	1822 671	19-56-6	1855 561	9-07-22	1887 222	8-20-3
1733 612	19-57-13	1775 164	23-54-79	1822 672	19-56-6	1856 292	19-15-63	1887 299	24-28-175
1733 625	19-14-19	1778 955	23-54-152	1823 091	19-01-52	1856 346-7	17-11-7	1887 300	24-28-175
1733 627	19-19-32	1779 257	1-48-572	1823 150	19-02-15	1856 993	19-58-21	1887 582	1-47-14
1733 724	19-57-16	1789 754	22-06-2	1823 151	19-57-64	1857 774-5	2-14-3	1887 603	1-06-17
1733 790	19-01-53	1789 755	22-06-1	1823 157	19-01-60	1857 776-7	2-14-3	1887 604	23-67-161
1733 791	19-01-51	1790 241	22-06-1	1823 161	19-01-60	1857 778-9	2-14-3	1887 604	8-05-11
1734 315	17-29-20	1790 244	22-06-2	1823 726	21-138-13	1857 780-1	2-14-3	1889 044	8-52-150
1736 347	9-02-7	1790 523	3-11-1	1825 351	5-13-10	1857 840	2-08-11	1889 066	8-52-76
	9-46-94	1791 591	3-22-78	1825 449	2-08-71	1857 856-7	2-08-5	1889 079	8-52-120
1736 348	9-02-7	1795 152	3-11-25	1825 924	14-15-3	1858 015	19-27-50	1889 080	8-52-241
	9-46-94	1795 153	3-11-25	1825 932	7-02-16	1858 024	2-10-76	1889 100	8-52-0
1736 353	9-02-7	1795 170	3-20-1	1825 956	7-02-16	1858 084	2-03-3	1889 115	8-52-4
	9-46-94	1795 173	16-20-3	1826 286	14-29-33	1858 115	2-07-17	1889 147	8-52-88
1736 521	21-133-46	1795 175	16-20-2	1826 369	14-41-3		2-08-72	1889 151	8-52-375
1737 694	9-31-5	1795 193	3-22-40	1826 607	14-41-3		2-10-64	1889 362	8-52-369
1737 695	8-28-16	1799 295	3-11-2	1826 847	14-39-45		19-27-51	1889 363	8-52-176
	9-31-7	1799 296	3-11-1	1826 863	14-30-28	1858 955	9-48-8	1902 763	7-26-18
1737 705	7-44-3	1799 299	3-22-25	1826 864	14-30-27	1859 127	23-19-109	1904 950	7-14-31
1737 718	10-07-10	1799 300	3-22-24	1828 352	13-34-3	1859 127	7-43-18	1909 917	23-64-278
1737 742	10-22-15	1818 524	9-09-2	1828 388	5-40-1		9-02-16	1909 918	23-39-15
1737 745	14-77-17	1818 525	9-09-2	1828 389	5-40-4		9-03-18	1909 944	23-64-246
1737 756	9-43-5	1818 526	9-09-2		5-44-8	1859 144	9-39-21	1920 101	21-09-31
1737 761	7-44-4	1818 527	9-09-2	1828 719	3-22-45	1859 332	9-48-27	1922 183	8-34-128
1738 681	19-54-130	1818 528	9-09-2	1828 725	3-22-28	1859 444	19-54-126	1922 314	3-22-28
1738 794	3-22-27	1818 529	9-09-2	1828 824	16-10-3	1859 445	19-58-18	1922 315	3-22-28
1738 795	3-22-27	1818 698	9-32-2	1829 440	3-22-28	1859 788	10-03-7	1923 765	5-71-2
1738 796	3-22-27	1818 699	9-32-2	1829 441	3-22-28	1868 955	9-48-8	1927 232	4-25-17
1738 797	3-22-27	1818 700	9-32-2	1829 442	3-22-28	1870 618	9-32-2		5-13-10
1738 798	3-22-27	1818 701	9-32-2	1829 443	3-22-28	1878 752	23-32-15	1929 751	3-04-6
1738 799	3-22-27	1818 702	9-32-2	1829 444	3-22-28		23-36-18	1929 758	3-09-1
1738 800	3-22-27	1818 703	9-32-2	1829 929	17-15-24	1879 520	10-24-1	1929 759	3-09-2
1738 801	3-22-27	1818 757	8-27-190	1838 508	8-27-76	1879 595	8-27-278	1929 760	3-04-10
1738 802	3-22-27	1818 892	23-67-25	1838 516	8-27-300	1879 606	8-27-77	1937 770	3-11-2
1738 805	3-22-28	1818 912	8-27-316	1838 939	8-41-37	1879 607	8-27-297	1937 771	3-11-1
1738 806	3-22-28	1819 014	1-87-22	1839 995	1-87-3	1879 609	8-16-1	1940 147	6-38-23
1738 807	3-22-28	1819 836	8-16-4		8-11-11	1879 617	9-32-2	1940 621	5-58-1
1738 812	3-22-27	1819 843	24-25-156		8-34-5	1879 618	9-32-2	1940 622	5-58-1
1738 813	3-22-27	1820 551	3-22-25		8-50-173	1879 619	9-32-2	1940 725	17-16-8
1738 814	3-22-27	1820 552	3-22-24		23-02-20	1879 620	9-32-2	1941 600	21-139-105
1738 815	3-22-27	1820 698	3-03-3		23-26-82	1879 621	9-32-2	1941 601	21-139-105
1738 816	3-22-27	1820 703	3-22-28		23-38-4	1879 622	9-32-2	1941 602	21-139-105
1738 817	3-22-27	1820 704	3-22-28	1841 499	8-36-14	1879 627	9-09-2	1941 603	21-139-105
1738 818	3-22-27	1820 705	3-22-28	1841 893	8-55-57	1879 628	9-09-2	1941 648	9-45-2
1738 819	3-22-27	1820 706	3-22-28	1842 003	8-16-8	1879 629	9-09-2	1941 667	9-46-43
1738 820	3-22-27	1821 170	14-29-5	1842 009	8-16-4	1879 630	9-09-2	1941 831	21-129-7
1738 826	3-22-26	1821 411	7-06-1	1842 012	8-16-4	1879 747	9-41-1		21-137-202
1739 215	5-62-1	1821 414	9-07-8	1842 965	1-47-5	1879 944	8-01-4	1942 015	21-133-20
1739 230	14-67-2	1821 449	7-06-1		1-48-240	1881 746	8-27-278	1942 020	9-46-130
	14-89-57	1821 452	7-06-14	1843 008	11-02-1	1881 794	9-32-2	1942 021	21-118-45
1739 249	5-62-1	1821 684	7-03-1	1843 010	11-02-1	1881 795	9-32-2	1942 054	21-133-17
1739 534	9-39-15	1821 722	9-16-17	1843 036	8-27-316	1881 796	9-32-2	1942 063	21-133-25
1739 547	14-29-6	1821 771	9-16-6	1843 251	5-53-3	1881 797	9-32-2		21-133-43
1739 604	10-09-5	1821 772	9-16-6	1843 252	5-53-3	1881 797	9-32-2	1942 064	21-133-25
1739 605	9-03-10	1821 773	9-16-6	1843 253	5-53-3	1881 805	7-14-4	1942 065	21-133-25
1739 606	9-03-10	1821 774	9-16-6		14-89-2	1881 813	7-14-4	1942 080	21-133-47
1739 619	10-26-5	1821 775	9-16-6	1843 254	5-53-3	1881 938	8-53-150	1942 081	21-133-48
1739 912	16-08-7	1822 134	19-01-50	1843 257	5-53-4	1882 735	21-03-15	1942 095	21-136-231
1739 913	16-10-1	1822 149	19-01-52	1843 258	5-53-4	1885 608	24-24-7	1942 109	21-138-38
1747 982	24-25-168	1822 150	19-01-51	1843 444	8-16-1	1885 903	8-55-57	1942 120	21-136-15
1747 988	24-25-252		19-01-53	1851 613	9-03-10	1886 089	1-21-27	1942 123	21-137-8
1752 488	8-16-3	1822 151	19-01-52	1851 658	10-26-6	1886 101	8-37-139	1942 130	21-137-19
1752 489	8-16-3	1822 156	19-15-63	1851 664	9-50-6		15-11-74		21-137-59
1752 490	8-16-3	1822 157	19-15-65	1851 665	9-48-27		23-19-68	1942 132	21-136-23
1752 491	8-16-3	1822 158	19-15-60	1851 959	7-02-16	1886 109	1-48-280	1942 133	21-136-30
1752 492	8-16-3	1822 203	19-19-35	1851 960	7-02-16		8-37-138	1942 137	21-136-47
1752 624	16-03-1	1822 204	19-19-9	1852 910	9-10-5		24-28-318	1942 141	21-136-52
1753 632	8-12-3	1822 320	19-19-72	1852 911	9-10-5				
	8-31-16	1822 321	19-01-62	1852 915	9-10-5				
	8-37-88	1822 324	19-19-70	1854 274	21-139-95				

1969 PASSENGER CAR PARTS CATALOG

PART NUMBER	CODE	PART NUMBER	CODE	PART NUMBER	CODE	PART NUMBER	CODE	PART NUMBER	CODE
1942 150	21-137-56	1947 687	9-03-10	2027 809	24-01-1	2070 850	3-11-3	2080 996	8-20-16
1942 153	21-137-200	1947 704	9-42-1	2027 810	24-01-1	2070 851	3-11-3	2081 004-5	23-32-93
1942 187	9-46-229	1947 708	8-36-137	2027 814	24-01-1	2070 915	3-19-1	2083 111	23-32-15
	21-136-236	1947 752	9-48-45	2043 003	23-26-84	2070 916	3-19-1	2084 005	9-09-2
1942 213	21-139-64	1947 753	9-48-44	2067 785	9-02-50	2070 933	3-33-10	2084 006	9-09-2
1942 218	21-139-63	1947 797	14-29-5	2070 082	3-11-3		5-13-7	2084 007	9-09-2
1942 227	21-139-135	1947 907	7-02-1	2070 084	3-11-3	2071 132	4-23-3	2084 008	9-09-2
1942 231	21-139-108	1947 953	6-10-3	2070 086	3-11-3	2071 173	2-14-13	2084 088	8-52-214
1942 237	21-139-154		10-24-23	2070 088	3-11-3	2071 204	2-08-7	2084 090	8-52-344
1942 245	21-139-63	1948 396	17-12-12	2070 090	3-11-3	2071 211	2-10-60	2084 091	8-52-341
1942 248	21-03-6	1948 757	14-72-9	2070 092	3-11-3	2071 417	2-10-58	2084 093	8-52-49
1942 389	21-129-13	1948 838	5-110-18	2070 094	3-22-26	2071 432-3	2-03-3	2084 094	8-52-354
1942 390	21-129-24	1948 869	17-17-3	2070 095	3-22-26	2071 443	2-10-59	2084 215	19-15-39
1942 396	21-133-17	1948 876	17-17-4	2070 096	3-22-26	2071 456-7	2-08-5	2084 354	10-07-3
1942 397	21-133-17	1948 877	17-17-5	2070 097	3-22-26	2071 470	2-10-74	2084 355	10-07-2
1942 399	21-133-22	1949 176	9-46-33	2070 098	3-22-26	2071 506	2-10-76	2084 384	9-34-5
1942 400	21-133-43	1949 424	9-46-21	2070 099	3-22-26	2071 507	13-11-5	2084 385	9-34-5
1942 403	21-133-38	1949 667	9-46-43	2070 100	3-22-26	2071 514-5	13-11-17	2084 386	9-34-5
1942 414	21-133-20	1949 701	21-03-28	2070 101	3-22-26	2071 533	2-08-50	2084 387	9-34-5
1942 421	21-133-25	1949 765	9-46-21	2070 102	3-22-26	2071 534	2-08-50	2084 388	9-34-5
	21-133-43	1949 767	21-03-6	2070 103	3-22-26	2071 536-7	2-08-63	2084 389	9-34-5
1942 423	21-133-25	1949 834	21-17-2	2070 104	3-22-26	2071 572	17-29-12	2084 390	9-34-5
1942 434	21-133-40	1949 858	21-138-15	2070 105	3-22-26	2071 604	17-29-20	2084 403	9-10-5
1942 438	21-133-42	1949 859	21-138-15	2070 106	3-22-26	2071 611	17-29-21	2084 404	9-10-19
1942 439	21-133-46	1950 477	23-64-71	2070 107	3-22-26	2071 640	2-10-19	2084 405	9-10-5
1942 443	21-134-38	1950 897	23-58-607	2070 108	3-22-26	2071 650-1	2-03-3	2084 411	9-11-1
1942 444	21-134-40	1952 983	23-58-605	2070 109	3-22-26	2071 653	2-10-10	2084 415	10-07-3
1942 450	21-134-36	1954 083	23-64-4	2070 110	3-22-26	2071 671	2-03-3	2084 421	8-16-1
1942 467	21-133-20	1954 125	23-39-12	2070 113	3-22-45	2071 674-5	2-05-4	2084 424	8-16-1
1942 477	21-136-17	1954 543	21-136-52	2070 117	16-20-2	2071 727	2-10-72	2084 448	8-27-137
1942 478	21-137-5	1960 017	23-54-102	2070 119	3-03-29	2071 764	13-54-15	2084 467	14-67-10
1942 482	21-137-11	1960 061	23-32-88	2070 120	3-03-30	2071 766-7	17-11-7	2084 653	8-27-352
1942 485	21-137-13	1960 127	8-47-76	2070 122	3-03-36	2071 850	2-03-3	2084 655	8-27-85
1942 486	21-137-19	1960 131	8-47-67	2070 158-9	22-05-14	2071 861	19-27-50	2084 666	8-52-140
1942 487	21-136-30	1961 318	23-54-128	2070 300	3-19-1	2071 862	2-08-50	2084 673	8-29-17
1942 491	21-136-47	1964 260	23-58-603	2070 316	3-22-24	2072 060	19-15-60	2084 715	14-35-6
1942 493	21-136-49	1971 061	1-48-572	2070 317	3-22-25	2072 437	2-07-2	2084 810	9-09-2
1942 497	21-136-41		24-01-8	2070 318	3-22-24	2072 612	5-62-7	2084 811	9-09-2
1942 543	21-136-52		24-01-87	2070 319	3-22-25	2072 614	5-13-35	2084 812	9-09-2
1943 547	8-47-126	1982 542	24-25-189	2070 441	3-11-3		5-113-35	2084 813	9-09-2
	23-06-14	1989 202	24-25-127	2070 442	3-11-3	2072 615	5-64-2	2084 814	9-09-2
	23-32-51	1990 584	24-25-94	2070 443	3-11-3	2072 637	5-71-2	2084 815	9-09-2
	23-34-52	1990 598	24-25-94	2070 444	3-11-3	2072 643	4-26-26	2084 816	9-09-2
1944 092	5-110-18	1991 576	24-28-175	2070 445	3-11-3	2072 644	4-26-27	2084 817	9-09-2
1944 154	5-110-18	1992 947	24-25-133	2070 446	3-11-3	2072 646	4-26-18	2084 829	9-09-2
1944 171	14-88-27	1994 408	24-25-137	2070 447	3-11-3	2072 655	5-70-1	2084 830	9-09-2
1944 361	17-14-10	1994 410	24-25-135	2070 448	3-11-3	2072 656	5-70-1	2084 831	9-09-2
1944 865	9-31-5	1996 845	24-25-114	2070 449	3-11-3	2072 678	5-05-33	2084 832	9-09-2
1945 197	14-13-5	1997 446	24-25-110	2070 450	3-11-3		5-66-6	2084 833	9-09-2
1945 384	7-04-13	1997 553	24-28-248	2070 454	3-22-26	2072 681	5-13-9	2084 834	9-09-2
1945 473	9-11-7	1999 502	24-25-84	2070 455	3-22-26	2072 682	5-13-9	2084 835	9-09-2
1946 377	6-38-3	2000 083	24-25-84	2070 456	3-22-26	2072 718	22-08-57	2084 836	9-09-2
1946 468	4-23-3	2003 059	7-02-16	2070 457	3-22-26	2072 718	22-08-57	2084 918	2-10-57
1946 638	11-05-12	2004 766	24-25-35	2070 458	3-22-26	2072 731	22-06-5	2084 920	2-08-59
1946 639	11-05-12	2006 374	24-25-35	2070 459	3-22-26	2072 733	22-06-14	2086 597	8-05-28
1946 648	11-06-3	2008 388	24-25-135	2070 460	3-22-26	2072 750	22-05-14	2093 945	23-32-15
1946 992	9-15-6	2010 872	24-25-107	2070 461	3-22-26	2072 831	6-38-14	2094 618	8-47-126
1947 165	9-31-4	2013 063	24-28-300	2070 462	3-22-26	2072 901	6-22-19		23-32-51
1947 225	10-10-1	2013 175	24-28-195	2070 463	3-22-26	2073 205	11-10-18	2094 869	23-40-148
1947 521	7-44-3	2013 184	24-28-210	2070 464	3-22-26	2073 632	6-43-7	2094 984	23-19-21
	7-44-4	2013 185	24-28-210	2070 465	3-22-26	2073 634	5-27-2		23-32-15
1947 523	7-44-4	2013 192	24-28-241	2070 466	3-22-26	2073 687	6-20-14		23-34-123
1947 554	9-23-17	2013 218	24-24-5	2070 467	3-22-26	2073 794	11-10-3		23-64-71
1947 557	9-11-7	2014 004	24-27-15	2070 468	3-22-26	2074 089	13-36-5		23-32-15
1947 594	9-43-1	2014 009	24-28-19	2070 469	3-22-26	2074 386	23-32-20	2094 985	23-32-98
1947 612	8-27-26	2019 681	24-25-160	2070 689	3-19-1	2074 394	23-32-18		23-34-40
1947 613	8-27-26	2021 191	24-25-246	2070 690	3-19-1	2074 960	5-47-10		23-34-178
1947 614	9-43-9	2027 798	24-01-1	2070 696	3-11-3	2074 986	5-100-191		23-51-45
1947 616	9-43-11	2027 801	24-01-1	2070 697	3-11-3	2075 005	5-100-192	2095 005	8-28-3
1947 617	9-43-11	2027 802	24-01-1	2070 698	3-11-3	2075 006	5-100-194	2095 012	8-29-155
1947 623	9-39-5	2027 804	24-01-1	2070 699	3-11-3	2076 088	24-28-204	2095 038	8-29-42
1947 624	9-39-6	2027 805	24-01-1	2070 816	3-19-1	2076 232	5-31-13	2095 052	8-29-134
1947 643	7-48-22	2027 806	24-01-1	2070 817	3-19-1	2080 201	23-06-14	2095 059	8-28-3
1947 671	9-05-6	2027 807	24-01-1	2070 848	3-11-3	2080 736	23-06-15	2095 076	8-52-176
				2070 849	3-11-3	2080 784	23-02-2		

1969 PASSENGER CAR PARTS CATALOG

PART NUMBER	CODE	PART NUMBER	CODE	PART NUMBER	CODE	PART NUMBER	CODE	PART NUMBER	CODE
2095 094	8-52-120	2121 404	10-07-11	2127 104	19-19-4	2204 547	21-139-108	2209 216	
2095 105	8-52-241	2121 524	9-05-5	2127 108	19-19-28	2204 622	21-133-65	2215 034	21-133
2095 112	8-52-76	2121 530	10-09-1	2127 146	19-15-58	2204 623	21-133-65	2216 544	23-09-33
2095 114	8-52-102	2121 531	10-14-18	2127 154	19-19-35	2204 645	21-133-15	2216 546	23-09-61
2095 116	8-52-101	2121 535	10-09-5	2127 280	1-48-557	2204 647	21-134-11	2216 552	14-86-55
2095 117	8-52-67	2121 571	14-13-5		24-01-31	2204 649	21-134-12		15-11-74
2095 118	8-52-89	2121 573	10-24-23	2127 486	19-54-181	2204 702	21-03-28		21-84-8
2095 130	8-52-61	2121 579	9-39-5	2128 285	8-52-39	2204 709	21-118-45	2216 673	23-64-273
2095 133	8-52-50	2121 580	9-39-5	2128 425	7-43-8	2204 719	9-46-8	2216 735	1-48-357
2095 134	8-52-49	2121 581	9-39-6	2128 774	9-64-18	2204 728	21-03-7	2217 351	23-09-54
2095 150	8-52-0	2121 582	9-39-6	2128 912	9-08-5	2204 768	9-46-8	2217 508	23-63-16
	8-52-4	2121 583	9-39-6	2129 012	9-23-17	2204 792	21-136-5		23-63-183
2095 155	8-52-375	2121 585	9-48-12	2129 013	7-44-3	2204 820	21-136-44	2218 301	23-09-27
2095 371	8-28-88	2121 588	9-23-10	2129 146	9-62-2	2204 823	21-136-41	2218 956	23-08-75
2095 427	8-29-98	2121 686	9-39-14	2129 265	7-05-1	2204 952	21-136-20	2219 155	24-26-35
2095 630	8-27-4	2121 725	9-16-6	2129 684	19-54-132	2204 975	21-139-71	2219 383	24-28-326
2095 740	8-27-4	2121 726	9-16-6	2129 885	6-10-2	2204 993	21-118-57	2219 384	24-28-326
2095 760	8-29-145	2121 727	9-16-6	2161 115	23-02-145	2205 034	21-139-135	2219 385	24-28-326
2095 766	8-36-96	2121 971	7-02-1	2161 119	23-02-145	2205 203	21-133-36	2219 627	1-47-4
2095 768	8-36-96	2122 254	6-14-1	2161 307	8-05-8	2205 233	21-133-20		1-48-158
2095 772	8-36-49	2122 255	6-14-1	2161 308	8-05-6	2205 241	21-133-10	2219 837	8-15-32
2095 773	8-36-49	2122 262	6-14-4	2161 316	8-05-32	2205 242	21-129-6	2228 429	3-09-2
2095 775	8-36-49	2122 266	5-47-8		8-11-28	2205 299	21-119-5	2230 985	8-16-1
2095 776	8-36-49	2123 341	5-56-2	2167 260	23-19-105	2205 510	9-16-6	2231 105	8-19-7
2095 875	8-52-5		14-90-1	2189 093	23-32-15	2205 512	9-16-6	2231 119	8-16-10
2095 925	8-29-135	2124 255	21-137-202		23-34-178	2205 514	9-16-6	2231 856	3-19-15
2095 945	8-29-153	2124 256	21-139-117	2189 098	23-32-15	2205 516	9-16-6	2233 028	8-16-10
2096 374	8-37-88	2124 257	21-139-118	2189 375	23-32-15	2205 518	7-06-1	2238 893	3-09-1
	8-50-156	2124 342	21-136-5	2196 214	14-41-3	2205 568	9-08-5	2240 264	8-16-1
2096 623	23-67-260	2124 493	21-136-47	2196 234	14-41-3	2205 569	9-20-1	2240 311	11-02-1
2096 648	8-11-8	2124 499	21-09-33	2196 240	14-35-1	2205 582	14-30-2	2240 312	11-02-1
2096 772	1-47-13	2124 516	21-09-5	2196 300	1-06-2	2205 958	9-39-14	2240 317	17-23-3
2096 857	8-13-3	2124 518	21-09-23	2197 650	23-67-260	2205 959	9-39-14	2240 368	9-09-2
2096 989	1-47-12	2124 555	21-137-202	2197 678	1-48-254	2206 006	8-36-124	2240 369	9-09-2
	1-48-151	2124 579	21-136-20		1-48-357	2206 022	24-25-35	2240 370	9-09-2
2097 003	8-39-15	2124 662	21-138-15		1-48-950	2206 095	10-07-7	2240 371	9-09-2
	8-50-156	2124 663	21-138-23		4-08-36	2206 097	9-39-5	2240 372	9-09-2
2097 055	23-67-260	2124 697	21-139-101		8-34-63	2206 103	9-39-5	2240 373	9-09-2
2097 101	24-25-234	2124 705	9-46-130		15-03-30	2206 104	9-39-5	2240 374	9-09-2
2097 102	24-25-157	2124 734	21-139-68		15-03-70	2206 105	9-39-5	2240 375	9-09-2
2097 103	24-25-234	2124 736	21-139-74		24-01-66	2206 106	9-39-5	2240 376	9-09-2
2097 105	24-25-232	2124 737	21-139-76		24-24-13	2206 146	14-68-5	2240 377	9-09-2
2098 058	8-27-190	2124 813	21-129-13		24-24-183	2206 191	19-54-115	2240 378	9-09-2
2098 244	8-27-158	2124 819	21-133-15		24-28-101	2206 315	9-10-5	2240 379	9-09-2
2098 287	8-29-131	2124 820	21-133-17		24-28-388	2206 316	9-10-5	2240 397	7-04-1
2098 288	8-29-131	2124 821	21-133-17		24-29-15	2206 372	10-26-5	2240 466	14-43-5
2098 300	8-28-74	2124 824	21-133-43	2197 945	8-16-4	2206 376	14-29-6	2240 473	14-43-5
2098 378	8-36-114	2124 826	21-133-38	2197 947	8-16-4	2206 416	9-48-14	2240 529	8-52-180
2098 381	8-36-114	2124 827	21-133-36	2200 051	6-13-1	2206 447	8-28-15	2240 536	8-16-1
2098 478	8-29-154	2124 833	21-133-7	2200 341	5-44-9	2206 448	8-28-292	2240 634	6-17-3
2098 496	8-52-120	2124 835	21-133-17	2200 997	5-62-1	2206 449	8-28-292	2240 647	10-24-1
2098 500	8-52-0	2124 846	21-118-54	2201 009	13-72-2	2206 450	8-28-14	2240 685	21-139-67
	8-52-4	2124 848	21-136-15	2201 181	5-47-4	2206 923	17-23-52	2242 425	23-34-119
2098 512	8-29-133	2124 850	21-137-5	2201 467	4-23-28	2206 925	17-23-53	2242 439	23-34-116
2098 535	8-28-3	2124 851	21-137-8	2201 554	17-23-52	2207 116	2-09-8	2243 327	23-19-99
2098 633	8-29-208	2124 852	21-137-22	2202 499	9-20-1	2207 282	2-10-59	2243 390	23-39-53
2098 646	8-29-132	2124 853	21-137-11	2202 583	14-01-23	2207 296	2-10-59	2244 149	23-19-70
2098 850	8-28-3	2124 856	21-137-13	2202 666	7-06-14	2207 322	2-10-60	2251 117	23-58-262
	8-29-0	2124 857	21-136-49	2202 767	8-28-15	2207 359	19-27-8	2251 128-9	23-58-76
2098 980	8-36-92	2124 872	21-133-25	2202 794	7-06-1	2207 604	5-13-9	2251 398	4-23-7
2098 986	8-52-80	2124 945	21-09-29		24-25-25	2207 606	5-13-9	2251 600	23-58-607
2098 987	8-52-80	2125 024	21-138-21	2202 845	10-22-16	2207 933	5-56-2	2251 676	23-32-87
2120 017	10-26-52	2125 067	21-136-20	2202 850	19-54-123		14-90-1		23-48-22
2120 130	7-02-16	2125 069	21-137-22	2203 031	24-25-35	2208 008	5-27-12	2251 678	23-48-19
2120 510	7-02-16	2125 109	21-137-205	2203 035	24-25-45	2208 158	19-48-49	2251 868	23-04-205
2120 514	9-42-1	2125 890	10-24-37	2203 117	10-02-67	2208 159	19-48-50	2252 183	23-32-82
2120 520	7-04-16		21-119-11	2203 350	22-06-1	2208 172	19-48-51	2252 184	23-48-93
2120 609	8-28-14	2126 760	19-19-19	2203 351	22-06-2	2208 268	6-16-1	2254 270	23-15-13
	24-25-13	2126 890	19-19-19	2203 352	22-06-1	2208 495	5-62-1	2254 552	23-19-97
2120 694	9-43-5	2126 946	19-02-55	2203 353	22-06-2	2208 496	5-62-1	2254 575	23-48-43
2120 930	9-17-9	2126 965	19-19-36	2204 185	2-08-63	2208 538	14-86-35	2254 667	23-32-58
2121 196	9-45-2	2126 966	19-19-5	2204 274	6-24-14	2208 893	5-62-20	2254 668	23-04-205
2121 223	9-48-14	2127 049	19-19-5		19-48-12	2209 213	8-37-381	2254 675	23-32-65
2121 245	8-36-136	2127 097	19-15-63	2204 369	21-133-65	2209 214	8-37-387	2254 788	23-32-56

1969 PASSENGER CAR PARTS CATALOG

PART NUMBER	CODE	PART NUMBER	CODE	PART NUMBER	CODE	PART NUMBER	CODE	PART NUMBER	CODE
2254 810	23-32-79	2264 865	24-25-15	2269 250	2-14-13	2277 596	24-28-201	2401 154	5-100-197
2255 012	13-72-6	2264 867	24-25-10	2269 260	2-14-13	2277 597	1-48-46	2401 166	5-100-32
2255 015	13-72-10	2265 034	7-02-1	2269 393	19-27-50		24-28-210	2401 231	1-87-23
2255 147	23-48-93	2265 036	7-02-16	2269 574-5	2-14-3	2277 648	1-48-90	2401 768	4-23-15
2255 231	23-08-12	2265 068	5-20-17	2269 576-7	2-14-3		24-01-26	2401 772	4-23-46
	23-32-51	2265 201	5-20-1	2269 578-9	2-14-3	2277 669	1-48-362	2401 840	22-01-46
2256 966	8-05-31	2265 269	4-23-24	2269 618-9	2-14-3		24-28-326	2401 841	22-01-46
	8-11-18	2265 273	4-23-28	2269 620-1	2-14-3	2277 699	1-48-611	2401 862	5-31-12
	8-12-17	2265 360-1	4-26-1	2269 622-3	2-14-3	2277 731	24-25-38		5-39-18
	8-31-18	2265 572	5-13-9	2269 709	17-29-12	2277 767	4-25-32		5-101-6
	8-37-93	2265 573	5-71-1	2269 786	2-07-2		24-28-19	2401 885	5-100-32
	8-39-17	2265 574	5-71-1	2269 798-9	2-03-3	2277 770	1-48-707	2401 894	5-100-206
	8-41-39	2265 635	5-44-8	2270 067	23-47-66	2279 897	11-02-1	2401 910	6-52-12
	8-42-12	2265 640	5-47-2	2275 204	24-25-93	2279 961	19-19-40	2401 957	5-26-2
	8-50-159	2265 656	19-14-4	2275 205	24-25-93	2279 985	19-57-1	2401 960	5-13-22
	8-55-300	2265 938	6-52-11	2275 207	24-25-2	2290 069	8-16-4	2402 045	9-39-16
	21-30-33	2265 942	6-52-17	2275 215	1-48-15	2290 188	8-20-8	2402 103	10-26-5
2257 443	8-16-4	2266 232	6-13-1	2275 220	8-16-3	2290 207	8-16-4	2402 129	14-29-4
2257 444	8-16-4	2266 270	5-20-10	2275 242	8-15-7	2290 592	1-21-24	2402 136	10-09-5
	14-72-33	2266 298	22-04-11		8-28-89	2290 654	8-37-454	2402 199	10-01-21
2257 682	8-17-23	2266 743	19-15-24	2275 248	8-52-214	2291 093	8-16-6	2402 210	14-25-5
2257 804	1-21-27	2266 777	6-35-9	2275 250	14-43-5	2291 258	8-16-6	2402 312	9-39-17
2258 102	8-16-6	2266 783	6-50-10	2275 365	9-11-1	2291 259	8-16-4	2402 378	7-03-1
2258 118	8-16-4		14-02-89	2275 381	9-09-2	2291 327	8-37-188	2402 525	9-43-3
2258 284	8-17-2	2266 784	6-35-1	2275 382	9-09-2	2291 588	8-16-4	2402 607	10-26-46
2258 404	8-56-2	2266 818	6-50-10	2275 383	9-09-2	2291 781	8-38-23	2402 677	14-29-6
2258 413	8-37-2	2266 820	6-38-23	2275 384	9-09-2	2291 838	8-16-4	2402 707	14-29-15
2258 590	8-16-4	2266 876	5-64-2	2275 385	9-09-2	2291 842	8-15-32	2402 730	7-06-1
2258 591	8-16-4	2266 877	22-04-11	2275 386	9-09-2	2291 846	8-15-13	2402 905	9-16-17
2258 651	8-16-6	2266 890	5-13-22	2275 387	9-09-2	2291 852	8-31-10	2402 934	7-03-1
2258 704	8-50-126	2266 942	5-100-161	2275 388	9-09-2	2291 876	1-87-21	2403 154	17-16-8
2258 862	14-72-5	2267 044	5-03-23	2275 389	9-09-2	2292 474	1-87-7	2403 177	17-23-53
2258 899	1-88-7	2267 045	5-25-9	2275 390	9-09-2	2292 503	23-02-82	2403 178	17-23-57
2258 912	23-67-262	2267 080-1	22-03-1	2275 391	9-09-2	2292 994	8-05-6	2403 245	17-17-3
2259 118	4-23-4	2267 128	19-19-16	2275 392	9-09-2	2292 995	8-05-23	2403 247	13-54-11
2259 173	23-32-106	2267 129	19-19-35	2275 393	9-09-2	2298 514	21-138-2	2403 456	17-11-10
2259 413	23-19-178	2267 152	19-19-24	2275 394	9-09-2	2298 533	2-08-57	2403 462	17-11-31
2260 021	6-22-4	2267 156	19-19-70	2275 395	9-09-2	2298 534	2-08-57	2403 768	13-54-4
2260 023	6-27-5	2267 173	19-19-7	2275 396	9-09-2	2298 546	9-34-5	2403 796	17-19-3
2260 046	5-39-11	2267 178	19-19-7	2275 397	9-09-2	2298 649	23-15-1	2403 798	13-54-4
2260 047	6-22-1	2267 192	19-15-59	2275 398	9-09-2	2298 769	8-16-3	2403 901	17-19-20
2260 300-1	2-08-63	2267 350	19-19-38	2275 413	9-32-2	2298 770	8-16-3	2403 906	17-19-3
2260 423	4-26-17	2267 351	19-19-38	2275 414	9-32-2	2298 882	8-16-1	2403 988	13-54-4
2260 538	22-04-2	2267 372	19-15-60	2275 414	9-32-2	2298 906	7-45-31	2404 052	3-35-14
2260 548	5-26-4	2267 454	19-15-21	2275 441	9-35-1	2298 912	17-23-3	2404 115	3-33-8
2260 549	5-26-4	2267 467	19-19-24	2275 446	9-10-5	2299 040	14-35-33	2404 119	3-02-20
2260 671	5-20-15	2267 468	19-19-28	2275 468	2-14-1	2299 042	14-30-8	2404 127	3-19-1
2260 719	6-22-15	2267 478	19-15-77	2275 469	2-14-1	2299 140	14-34-5	2404 160	3-33-5
2260 787	5-12-1	2267 487	19-19-4	2275 498	21-138-2	2299 217	14-41-3	2404 164	5-13-9
2260 788	5-25-9	2267 491	19-02-55	2275 498	21-138-2	2299 245	14-35-1	2404 168	5-13-10
2260 789	5-03-23	2267 492	19-15-58	2275 550	8-52-137	2299 245	14-35-1	2404 193	3-04-6
2260 791	5-26-1	2267 529	19-58-21	2275 551	8-52-372	2299 809	23-39-17	2404 194	3-06-5
2260 792	5-26-2	2267 529	19-58-21	2275 553	8-52-342	2299 819	23-39-2	2404 195	3-07-1
2260 793	5-20-11	2267 530	19-58-18	2275 554	8-52-345	2299 980	23-47-26	2404 196	3-06-6
2260 800-1	4-26-1	2267 532	19-01-50	2275 555	8-52-121	2400 163	21-05-12	2404 197	3-07-2
2260 835	5-03-23	2267 550	19-01-8	2275 556	8-52-87	2400 185	21-05-8	2404 198	3-08-1
2260 837	5-70-1	2267 551	19-02-4	2275 557	8-52-96	2400 284	21-133-65	2404 198	3-08-1
2260 838	5-71-1	2267 640	19-15-21	2275 558	8-52-98	2400 300	21-05-12	2404 202	3-06-5
2260 839	5-71-1	2267 694	19-54-182	2275 590	8-35-22		21-22-2	2404 203	3-06-5
2260 843	5-70-1	2268 114	9-07-5	2276 749	15-09-4	2400 320	21-05-8	2404 215	3-35-14
2260 844	5-71-1	2268 282	9-48-44	2276 804	15-09-4	2400 389	21-136-17	2404 216	3-35-14
2264 116	14-29-15	2268 386	7-03-1		23-32-51	2400 479	21-129-11	2404 335	3-03-1
2264 193	14-30-2	2268 420	14-13-1	2277 028	1-48-258	2400 580	21-134-45	2404 435-6	22-05-14
2264 215	24-25-15	2268 513	10-24-38	2277 190	24-28-326	2400 662	21-133-42	2404 442	3-32-1
2264 449	7-06-1	2268 766	19-54-91	2277 515	1-48-358	2400 667	21-134-8	2404 475	3-33-8
2264 450	7-06-14	2268 921	10-07-8	2277 516	1-48-355	2400 725	21-133-36	2404 586	13-68-20
2264 454	8-28-15	2269 104-5	2-08-5	2277 517	1-48-401	2400 729	21-137-22	2404 859	6-24-10
2264 463	7-03-1	2269 124	2-08-7	2277 518	1-48-70	2400 843	21-05-35		19-48-16
2264 555	24-25-45	2269 127	2-08-61		1-48-365	2400 863	21-119-12		21-30-428
2264 587	10-22-15	2269 189	2-10-76	2277 535	1-48-88	2400 885	9-46-8	2405 049	12-04-24
2264 597	9-45-1	2269 214	2-10-66		24-01-24	2401 120	6-13-1	2405 077	6-19-2
2264 658	9-39-17	2269 215	2-10-66	2277 551	1-48-35	2401 126	5-100-161	2405 085	6-50-6
2264 706	14-25-12	2269 218	2-10-10	2277 553	1-48-126	2401 128	5-105-10		6-52-15
2264 794	9-23-17	2269 234	2-14-14	2277 591	1-48-375	2401 135	5-100-180	2405 086	6-50-6
		2269 245	2-10-58		24-28-341	2401 139	5-113-17		6-52-15

1969 PASSENGER CAR PARTS CATALOG

PART NUMBER	CODE	PART NUMBER	CODE	PART NUMBER	CODE	PART NUMBER	CODE	PART NUMBER	CODE
2405 105	5-29-1	2427 191	8-16-6	2461 483	6-24-7	2464 018	21-10-3	2466 283	21-133-31
2405 144-5	22-05-14	2427 192	8-16-6	2461 494	6-19-2	2464 023	21-12-1	2466 295	21-42-11
2405 465	4-25-27	2427 529	8-16-4	2461 515	6-35-1	2464 037	21-29-25	2466 302	21-119-19
2405 466	5-110-18	2427 533	8-41-35	2461 523	6-35-1	2464 038	21-42-11	2466 324	21-118-47
2405 720	5-26-4	2427 545	8-16-4	2461 626-7	13-01-6	2464 045	21-34-45	2466 369	21-133-43
2405 758	22-04-2	2427 603	1-87-2	2461 684	23-05-1	2464 046	21-34-42	2466 406	21-09-2
2405 798	22-04-2	2427 725	8-16-4	2461 708	5-28-8	2464 047	21-34-47	2466 427	21-09-2
2406 039	7-06-14	2427 736	8-16-4	2461 709	5-28-8	2464 051	21-39-3	2466 457	21-34-47
2406 052	24-25-45	2427 848	8-16-4	2461 745	6-24-1	2464 052	21-34-51	2466 484	21-05-2
2406 143	8-27-26	2428 071	23-54-77	2461 749	6-35-1	2464 053	21-34-53	2466 537	21-134-5
2406 334	14-01-30	2428 125	15-11-38	2461 765	6-52-10	2464 057	21-42-23	2466 539	21-134-5
2406 356	9-02-16	2428 178	23-18-49	2461 766	6-52-10	2464 059	21-04-2	2466 548	21-139-47
2406 366	10-03-7	2428 275	23-19-105	2461 790	13-33-68	2464 069	21-10-16	2466 562	21-119-11
2406 387	9-02-16	2428 284	23-64-82	2461 791	13-33-61	2464 073	21-11-1	2466 615	21-139-24
	9-03-18	2428 388	23-45-55	2461 944	19-48-46	2464 076	21-137-205	2466 648	21-139-47
2406 575	9-02-16		23-47-75	2462 086	13-54-4	2464 178	21-134-9	2466 715	9-46-8
2406 580	10-22-11	2444 024	8-36-83	2462 088	13-54-4	2464 324	21-119-5	2466 756	21-134-11
2406 657	9-31-4	2444 025	8-36-83	2462 101	17-19-20		21-136-65		21-139-34
2406 677	10-22-15	2444 031	8-36-83	2462 104	17-23-52	2464 413	21-119-3	2466 757	21-134-12
2406 766	9-31-4	2444 249	8-27-205	2462 179	1-07-1	2464 419	21-119-3	2466 758	21-134-10
2406 770	9-31-4	2444 282	8-27-205	2462 360	13-54-15	2464 439	21-136-44	2466 759	21-134-8
2406 785	9-31-4	2444 442	8-52-328	2462 365	17-23-52	2464 446	21-136-236	2466 796	21-118-47
2408 143	21-113-29	2444 453	8-52-328	2462 566	17-29-11	2464 462	21-137-50	2466 801	21-133-7
2409 188	4-25-7	2444 469	8-36-49	2462 570	17-29-15	2464 463	21-137-56	2466 803	21-133-39
2409 393	1-39-2	2444 478	8-28-3	2462 571	17-29-16	2464 464	21-137-59	2466 806	21-133-31
2409 462	4-25-7	2444 507	8-27-71	2462 572	17-29-18	2464 481	21-137-50	2466 811	21-133-25
2409 680	6-22-15	2444 576	8-28-3	2462 585	2-10-58	2464 551	21-03-7		21-133-43
2409 682	6-14-1	2444 578	8-28-3	2462 602	17-29-5	2464 651	21-133-15	2466 842	21-139-16
2409 683	6-13-1	2444 599	8-28-3	2462 740	2-10-59	2464 658	21-15-2	2466 849	21-117-1
2409 688	6-14-1	2444 658	8-52-41	2462 741	2-10-59	2464 659	21-10-31	2466 854	21-139-50
2409 808-9	22-05-14	2444 870	8-36-114	2462 848	2-08-61	2464 743	21-25-6	2466 881	21-05-25
2409 823	4-26-17	2444 726	15-11-50	2462 885	17-29-5	2464 744	21-25-2	2466 882	21-05-25
2409 824	7-04-20	2445 845	8-34-177	2462 886	2-10-66	2464 851	21-136-47	2466 886	21-139-147
2409 824-5	22-05-24	2448 294	21-84-4	2462 887	2-08-61	2464 888	21-136-235	2466 887	21-139-140
2409 826-7	22-05-24	2448 336	6-13-1	2463 041	9-16-17	2464 999	9-46-33	2466 892	4-10-8
2409 840	22-01-58	2448 379	9-09-2	2463 042	9-03-18	2465 074	24-25-10	2466 894	4-10-35
2409 978	5-47-2	2448 380	9-09-2	2463 106	9-48-6	2465 085	7-14-9	2466 906	4-10-35
2410 102	23-48-122	2448 381	9-09-2	2463 149	24-25-15	2465 090	10-26-12	2466 909	4-10-11
2416 749	17-15-12	2448 620	4-25-26	2463 173	6-10-10	2465 091	10-26-12	2466 910	21-16-3
2419 361	23-04-229		24-28-64	2463 258	9-03-10	2465 166	8-28-36	2466 954	21-04-2
2420 023	21-136-232	2448 621	8-27-320	2463 259	9-03-10	2465 203	9-62-1	2466 956	21-04-1
2421 075	1-07-1		8-27-336	2463 260	9-03-10	2465 335	9-39-5	2466 957	21-04-8
2421 137	8-29-129		24-28-64	2463 264	9-48-56	2465 336	9-39-5	2466 961	21-39-3
2421 138	8-29-145	2448 640	23-54-160	2463 282	9-43-11	2465 337	9-39-5	2466 969	21-04-1
2421 173	8-27-158	2448 735	9-35-1	2463 283	9-43-11	2465 338	9-39-5	2467 095	5-13-7
2421 175	8-27-158	2448 761	14-89-57	2463 290	9-03-29	2465 339	9-39-6	2467 096	3-33-8
2421 199	8-01-4	2448 764	14-86-49	2463 322	9-43-11	2465 340	9-39-6	2467 135	3-19-1
2421 268	4-25-28	2448 770	14-86-69	2463 323	9-43-11	2465 341	9-39-6	2467 166	3-33-6
2421 305	9-32-2	2448 804	8-52-82	2463 332	7-06-14	2465 342	9-39-6	2467 256	16-20-2
2421 306	9-32-2	2448 822	8-16-1	2463 334	7-06-1	2465 381	7-04-10	2467 268	3-32-8
2421 307	9-32-2	2449 525	8-34-180	2463 384	9-20-1	2465 391	11-06-8	2467 388	3-32-1
2421 308	9-32-2	2453 772	9-02-5	2463 385	9-08-5	2465 413	14-26-11	2467 459	3-33-8
2421 309	9-32-2	2453 789	9-02-5	2463 395	9-02-5	2465 483	14-11-31	2467 500	4-23-1
2421 310	9-32-2	2456 224	21-05-2	2463 396	9-02-5		23-34-123	2467 501	4-23-1
2421 349	3-33-1	2456 954	21-04-2	2463 403	24-25-10	2465 486	14-25-17	2467 502	4-23-1
2421 356	9-32-2	2458 409	5-01-2	2463 443	10-03-4	2465 517	5-56-2	2467 513	4-25-23
2421 357	9-32-2	2458 410	5-01-2	2463 512	10-26-20	2465 533	9-39-6	2467 514	4-25-6
2421 358	9-32-2	2458 412	5-01-2	2463 541	10-22-11	2465 558	8-28-36	2467 515	4-25-9
2421 359	9-32-2	2458 413	5-01-2	2463 582	9-10-5	2465 560	14-65-4	2467 571	4-25-10
2421 360	9-32-2	2458 414	5-01-2	2463 594	10-24-4		24-01-40	2467 575	5-113-17
2421 361	9-32-2	2460 416	5-110-18	2463 606	10-23-7	2465 561	14-65-4	2467 576	5-100-212
2421 455	8-16-3	2460 614-5	22-05-14	2463 649	9-07-22	2465 713	10-03-7	2467 577	5-113-21
2421 474	8-52-214	2460 637	22-04-2	2463 860	10-02-66	2465 718	9-48-6	2467 578	5-113-20
2421 482	23-67-20	2460 676	5-57-2	2463 866	10-01-21	2465 850	9-43-9	2467 592	5-100-26
2421 837	8-52-354	2460 762	11-09-4	2463 921	14-77-17	2465 852	9-15-1	2467 593	5-100-206
2421 838	8-52-142	2460 823	11-01-1	2463 932	14-29-7	2465 861	9-67-4	2467 594	5-100-115
2422 143	23-58-555	2460 824	11-01-1	2463 936	10-07-7	2465 862	9-64-24	2467 600	5-100-192
2424 864	23-32-15	2460 883	16-02-5	2463 989	10-01-21	2465 885	9-59-15	2467 693	23-32-18
2426 141	8-11-8	2460 929	16-14-0	2464 001	21-29-3	2466 009	21-03-28	2467 719	5-56-2
2426 179	8-12-14	2461 066	21-30-418	2464 011	21-15-2	2466 197	21-129-11		14-90-1
2426 312	8-34-180	2461 067	21-30-418	2464 012	21-24-2	2466 221	21-42-11	2467 766	5-28-9
2426 458	8-37-155	2461 068	21-30-418	2464 013	21-25-4	2466 222	21-42-11	2467 768	5-28-8
2426 942	1-87-22	2461 480	6-27-5	2464 016	21-10-31	2466 224	21-05-2		6-39-2
2427 119	24-28-49	2461 482	6-24-8	2464 017	21-10-16	2466 281	21-133-39	2467 769	5-28-9

PART NUMBER	CODE	PART NUMBER	CODE	PART NUMBER	CODE	PART NUMBER	CODE	PART NUMBER	CODE
2467 770	6-39-9 5-27-2 5-100-167 6-38-3	2483 098	1-67-3	2495 541	8-16-1	2521 502	24-29-1	2528 239	23-58-607
2467 771	5-27-2	2483 102	1-67-3	2495 953	14-30-30	2521 503	24-29-1	2528 286-7	23-58-572
2467 932	19-48-46	2483 252-3	23-51-6	2496 153	23-32-61	2521 545	24-28-100	2528 429	23-34-216
2467 933	19-48-1	2483 571	23-32-15	2496 279	8-31-16	2521 548	24-01-67	2528 454	23-40-170
2467 934	19-48-1	2484 064	23-32-48		8-37-88	2521 554	24-28-34	2528 464	23-40-171
2467 935	19-48-16 21-30-428	2484 307	23-19-63		8-39-15	2521 563	24-01-18	2528 465	23-40-180
2467 937	8-27-336 14-29-24	2484 575	23-32-15		8-41-36	2521 569	24-29-1	2529 564-5	23-36-66
2467 946	19-48-48	2484 635	23-58-239	2496 532	8-16-4	2521 571	24-28-100	2529 827	23-66-65
2467 982	2-08-63	2484 868	23-48-98	2496 541	8-16-4	2521 572	24-28-100	2529 831	23-34-301
2468 005	9-31-5	2484 898	23-58-333	2496 874	1-87-2	2521 573	24-28-100	2529 840-1	23-59-56
2468 006	9-31-7	2484 929	23-09-54	2497 346	8-16-10	2521 621	24-28-7	2529 842-3	23-40-85
2468 010	9-03-5	2484 941	23-54-103	2497 387	1-48-770	2521 629	24-28-117	2529 844-5	23-40-85
2468 011	19-54-115	2485 134	1-48-90	2497 481	1-48-783	2521 635	24-28-78	2529 850-1	23-40-85
2468 088	9-43-10	2485 135	1-48-94	2497 500	23-67-241	2521 668	1-47-4	2529 852-3	23-40-85
2468 089	9-43-10	2485 429	1-48-608	2497 502	23-67-240	2521 676	24-28-19	2529 942	23-48-93
2468 091	9-43-10	2485 478	1-48-126	2497 596	23-67-200	2521 686	1-48-130	2529 943	23-48-93
2468 096	9-39-5	2485 540	24-28-84	2497 701	8-16-6	2521 694	24-28-108	2530 155	22-01-46
2468 097	9-39-5	2485 580	24-28-195	2497 980	8-55-63	2521 701	24-28-108	2530 189	19-15-43
2468 098	9-39-5	2485 587	24-25-234	2499 590	23-02-82	2521 712	24-28-117	2530 199	21-30-7
2468 099	9-39-5	2485 591	24-28-210	2512 254	3-22-45	2521 713	24-28-118	2530 243	21-30-26
2468 124	9-43-9	2485 593	24-28-203	2513 744-5	22-05-14	2521 726	24-28-17	2530 282	13-34-3
2468 126	9-43-9	2485 603	24-28-93	2515 343	3-03-30	2521 729	1-48-709	2530 379	6-16-1
2468 128	9-43-14	2485 738	1-47-3	2520 004	23-08-12		24-28-72	2530 426	5-28-8
2468 132	9-43-2	2485 847	24-25-232	2520 009	23-10-18		24-28-17		6-39-2
2468 135	9-10-26	2485 914	24-28-18		23-15-14	2521 769	24-28-17	2530 428	6-52-5
2468 146	9-39-6	2485 915	24-28-18	2520 013	23-10-9	2521 824	24-25-20	2530 444	6-19-3
2468 147	9-39-6	2485 916	24-28-18	2520 014	23-15-6	2521 920	24-28-18	2530 446	6-35-1
2468 148	9-39-6	2485 970	1-48-365	2520 534	23-39-2	2521 923	24-25-20	2530 463	23-09-54
2468 149	9-39-6	2486 022	15-11-3		23-39-44	2521 953	24-28-10	2530 538	19-15-17
2468 173	9-43-1	2486 040	23-48-204	2520 557	23-39-2	2521 963	24-25-20	2530 541	19-15-23
2468 174	9-43-1		23-54-217		23-41-7	2525 063	22-06-18	2530 666-7	23-32-115
2468 184	9-67-4	2486 058	23-64-269	2520 562	23-64-12	2525 086	2-14-1	2530 668	13-10-1
2468 196	8-36-137	2486 072	23-54-152	2520 565	23-18-29	2525 087	2-14-1	2530 683	23-32-31
2468 197	6-09-11	2486 468	23-15-38	2520 610-1	23-58-227	2525 254	14-67-1	2530 688	2-08-70
2468 218	9-48-56	2486 697	15-13-2	2520 621	23-17-74	2525 407	9-35-1	2530 700	14-90-1
2468 307	9-58-12	2486 844	23-32-80	2520 645	23-19-204	2525 408	9-35-1	2530 741	11-06-14
2468 477	8-28-36	2486 844	23-32-80	2520 645	23-19-204	2525 409	9-35-1	2530 790	11-08-5
2468 494	7-04-5	2486 846	23-32-58	2520 650	23-19-200	2525 415	3-33-1	2530 894	16-14-0
2468 593	10-26-13	2486 851	23-48-20	2520 658	23-64-269	2525 430	17-23-3	2530 975	13-35-1
2468 645	10-07-14	2486 851	23-39-2	2520 659	23-64-269	2525 432	17-23-3	2530 984	12-04-4
2468 743	14-11-40	2486 874	23-54-98	2520 676	23-64-291	2525 460	17-23-3	2530 994	13-33-61
2468 744	14-11-18	2486 882	23-54-165	2520 697	23-18-29	2525 461	17-23-3	2531 902	9-03-4
2468 809	24-25-15	2486 910	23-48-22	2520 735	23-19-105	2525 464	6-14-1	2531 914	9-48-7
2468 818	14-30-2	2486 968	23-47-66	2520 748	23-19-109	2525 473	6-17-3	2531 916	9-48-56
2468 849	10-23-7	2486 971	23-54-74	2520 749	23-19-109	2525 475	6-01-3	2531 945	10-24-30
2468 898	9-43-2	2486 982	23-39-45	2520 750	23-19-110	2525 481	19-01-3	2532 149	9-43-9
2468 959	9-48-7	2486 982	23-41-250	2520 832-3	23-18-115	2525 484	9-32-2	2532 186	10-24-4
2469 501	9-41-4	2486 993	23-47-67	2520 850	23-48-206	2525 529	8-52-135	2532 190	9-15-1
2469 502	9-41-4	2486 994	23-47-67	2520 852	23-48-203	2525 534	8-36-1	2532 191	14-89-58
2469 503	9-41-4	2490 481	23-02-79	2520 883	23-47-66	2525 639	8-27-205	2532 248	7-06-1
2469 504	9-41-4	2491 290	23-15-13	2520 914-5	23-41-270	2525 669	8-55-57	2532 264	10-23-7
2480 230	23-19-178	2491 448	23-15-13	2521 082	24-28-108	2525 782	14-41-3	2532 277	9-64-24
2480 451	23-58-399	2493 662	23-48-65	2521 108	24-28-399	2526 642	23-04-205	2532 278	9-64-24
2480 453	23-58-430	2493 663	23-48-189	2521 109	24-28-399	2526 734	23-48-88	2532 284	10-24-4
2480 904	15-03-8 23-63-16	2493 666	23-48-188	2521 123	24-28-383	2526 760-1	23-48-99	2532 299	9-64-24
2480 957	23-32-15 23-36-18	2493 882	23-48-189	2521 126	24-28-90	2526 829	23-34-13	2532 401	10-24-4
2481 381	14-88-36	2493 925	13-11-5	2521 130	24-28-90	2526 949	23-48-88	2532 459	9-48-6
2481 401	23-32-25	2494 549	23-47-28	2521 144	24-28-207	2526 953	23-32-17	2532 490	9-17-5
2481 403	23-32-25	2495 052	6-17-3	2521 152	24-28-31	2527 104-5	23-32-115	2532 491	9-08-5
2481 404-5	23-32-112	2495 222	8-53-327	2521 172	24-28-326	2527 112-3	23-51-5	2532 492	9-20-1
2481 406-7	23-32-112	2495 223	8-16-1	2521 231	24-28-208	2527 114-5	23-32-27	2532 493	7-46-1
2481 811	23-32-65	2495 224	8-16-1	2521 240	24-01-36	2527 116-7	23-32-27	2532 625	9-48-6
2481 813	23-32-25	2495 234	8-16-1	2521 243	24-01-35	2527 118-9	23-32-112	2532 658	7-03-1
2481 824	23-32-48	2495 235	8-16-1	2521 246	24-01-38	2527 120-1	23-32-93	2532 659	7-03-1
2481 834-5	23-32-112	2495 236	8-16-1	2521 268	1-48-88	2527 138-9	23-32-112	2532 708	9-67-4
2482 508	23-48-109	2495 237	8-16-1	2521 315	24-28-44	2527 196	22-20-87	2532 752	10-26-8
2482 510-1	23-48-109	2495 239	8-16-1	2521 336	1-48-179	2527 304-5	23-34-229	2532 753	10-26-18
		2495 510	8-36-1		24-28-72	2527 326	23-47-33	2532 754	10-26-27
		2495 517	8-16-1	2521 409	1-48-832	2527 327	23-47-33	2532 756	10-26-6
		2495 531	8-35-4	2521 439	24-28-338	2527 818-9	23-32-112	2533 145	9-71-5
				2521 440	24-28-336	2528 192	23-58-605	2533 202	16-03-1
				2521 441	24-28-336	2528 236	23-58-607	2533 342	13-68-18
				2521 479	24-01-65	2528 237	23-58-213	2533 424	13-72-3
				2521 501	24-28-117	2528 238	23-58-606	2533 622	13-68-18

1969 PASSENGER CAR PARTS CATALOG

NUMERICAL INDEX

PART NUMBER	CODE	PART NUMBER	CODE	PART NUMBER	CODE	PART NUMBER	CODE	PART NUMBER	CODE
2533 822	4-26-18	2534 984-5	13-11-18	2537 386	19-58-15	2538 474	21-136-65	2571 215	23-64-95
2533 824	22-04-2	2535 027	2-10-10	2537 390	19-57-3	2538 510	21-133-17	2571 768	23-59-57
2533 892-3	4-26-17	2535 072-3	2-03-3	2537 391	19-57-3	2538 515	21-133-48	2572 163	23-02-82
2533 934	19-14-48	2535 077	19-27-50	2537 392	19-58-15	2538 522	21-134-5	2572 521	8-11-16
2534 056	13-11-5	2535 170	17-29-5	2537 397	19-02-4	2538 523	21-134-5	2572 775	8-11-12
2534 061	13-64-72	2535 173	17-29-11	2537 398	19-02-4	2538 567	21-05-1	2572 776	8-11-16
2534 064-5	13-64-4	2535 188	17-29-17	2537 503	19-54-178	2538 571	21-85-23	2573 028	22-20-87
2534 111	14-86-85	2535 204	2-08-48	2537 689	19-54-151	2538 574	21-134-36	2573 272	23-32-115
2534 113	14-90-1	2535 364	2-10-6	2537 694	19-54-126	2538 575	21-42-23	2573 304	23-42-32
2534 117	14-89-57	2535 365	2-10-7	2537 699	19-58-14	2538 576	21-42-23	2573 320-1	23-48-99
2534 135	5-05-12	2535 366	2-10-6	2537 716	19-19-26	2538 577	21-42-23	2573 368-9	23-32-112
2534 139	5-05-14	2535 367	2-10-7	2537 717	19-19-24	2538 588	21-85-22	2573 382	23-64-12
2534 140	5-05-13	2535 368	2-10-6	2537 726	19-01-8	2538 608	21-85-9	2573 384	23-64-12
2534 141	5-05-17	2535 369	2-10-7	2537 727	19-01-8	2538 617	21-133-25	2573 406	23-58-75
2534 158-9	22-05-14	2535 376-7	2-08-5	2537 728	19-01-8	2538 634	21-138-10	2573 407	23-58-75
2534 160	5-05-8	2535 422-3	2-03-3	2537 736	19-01-8	2538 635	21-138-10	2573 470	23-58-215
2534 219	22-01-43	2535 435	2-10-6	2537 737	19-01-8	2538 662	21-139-135	2573 528-9	23-58-573
2534 220	22-01-43	2535 435	2-10-7	2537 738	19-01-8	2538 669	21-05-35	2573 530-1	23-58-573
2534 223	22-01-49	2535 457	2-07-28	2537 739	19-01-8	2538 670	21-05-35	2573 536-7	23-58-572
2534 226	5-100-189	2535 458	19-27-40	2537 739	19-01-8	2538 671	21-05-35	2573 632	23-58-569
2534 227	5-100-198	2535 459	19-27-40	2537 776	19-19-4	2538 695	21-133-17	2573 642-3	23-63-33
2534 228	5-100-15	2535 461	19-27-40	2537 803	19-58-9	2538 696	21-134-45	2573 657	23-58-555
2534 231	5-100-18	2535 463	2-10-65	2537 814	19-54-182	2538 785	21-04-17	2573 658	23-58-555
2534 233	5-100-20	2535 464	2-10-65	2537 815	19-54-225	2538 849	21-119-19	2573 690	23-58-213
2534 236	6-35-15	2535 510-1	2-14-3	2537 818	19-54-157	2538 926	21-85-5	2573 837	23-58-399
2534 239	6-35-1	2535 516-7	2-14-3	2537 819	19-54-178	2538 927	21-85-5	2573 838	23-58-357
2534 240	6-24-1	2535 534	17-29-5	2537 820	19-54-152	2538 928	21-85-5	2573 839	23-58-388
2534 246	5-47-2	2535 755	2-10-58	2537 821	19-54-154	2538 929	21-85-5	2573 840	23-58-381
2534 248	5-31-11	2535 800	19-27-40	2537 822	19-54-156	2538 930	21-85-5	2573 844	23-58-396
2534 249	6-50-1	2535 888-9	2-14-3	2537 823	19-54-153	2538 931	21-85-5	2573 847	23-58-400
2534 258	5-31-12	2535 890-1	2-14-3	2537 825	19-54-28	2538 932	21-85-5	2573 882	23-58-570
2534 269	5-29-1	2535 892-3	2-14-3	2537 827	19-54-151	2538 933	21-85-5	2573 976	23-34-17
2534 271	5-31-11	2535 894-5	2-14-3	2537 828	19-54-181	2538 934	21-85-5	2573 986-7	23-34-249
2534 272	6-50-1	2536 016	14-29-4	2537 829	19-54-151	2538 935	21-85-5	2573 989	23-34-248
2534 323	1-39-2	2536 080	8-28-15	2537 830	19-54-151	2538 936	21-85-5	2574 144-5	23-32-116
2534 346	5-100-18	2536 081	8-28-32	2537 831	19-54-181	2538 937	21-85-5	2574 185	4-23-2
2534 349	5-100-26	2536 082	8-28-51	2537 833	19-54-32	2538 938	21-85-5	2574 254	23-48-109
2534 407	19-48-45	2536 083	24-25-10	2537 834	19-54-150	2538 939	21-85-5	2574 322	23-48-93
2534 423	19-48-46	2536 084	24-25-10	2537 835	19-54-5	2538 940	21-85-5	2574 657	23-42-46
2534 430	11-01-1	2536 121	9-67-4	2537 836	19-54-180	2538 941	21-85-5	2574 792	23-32-15
2534 431	11-01-1	2536 125	9-64-24	2537 837	19-54-54	2538 943	21-85-5	2574 800-1	23-32-27
2534 440	11-01-1	2536 132	9-64-24	2537 838	19-54-55	2538 955	21-85-5	2574 802-3	23-32-27
2534 441	11-01-1	2536 150	14-26-6	2537 840	19-54-54	2538 973	21-118-40	2574 805	23-32-29
2534 511	21-30-414	2536 154	14-68-8	2537 858	19-54-126	2539 086	17-12-12	2574 858-9	23-34-249
2534 513	19-48-46	2536 186	10-26-6	2537 859	19-54-130	2539 127	17-17-3	2574 774	23-64-282
2534 530	6-35-1	2536 266	14-14-1	2537 863	19-54-243	2539 404	17-26-4	2574 876	23-64-4
2534 538	6-52-1	2536 270	21-142-12	2537 865	19-54-219	2539 489	13-54-4	2574 912	23-48-93
2534 598	14-86-55	2536 275	21-142-12	2537 866	19-54-130	2539 507	13-54-4	2575 059	8-57-10
2534 613	5-62-1	2536 293	21-142-12	2537 869	19-54-126	2539 512	17-12-6	2575 851	8-50-338
2534 663	5-64-7	2536 453	14-06-1	2537 899	19-54-29	2539 754	13-54-15	2575 865	8-50-309
2534 666-7	4-26-17	2536 481	9-23-18	2537 900	19-54-25	2539 764	17-15-1	2576 505	23-32-17
2534 702	22-01-5	2536 360	9-48-7	2537 926	19-54-32	2539 938	21-85-5	2576 506-7	23-32-105
2534 754-5	22-05-14	2536 626	14-29-5	2537 958	19-54-150	2539 971	17-19-3	2576 512	23-32-17
2534 757	22-04-2	2536 649	9-02-37	2537 959	19-54-219	2539 973	13-54-15	2576 652	23-34-80
2534 806	13-33-62	2536 724	9-03-5	2537 995	19-54-54	2541 330	24-25-3	2576 724	23-48-65
2534 812	12-01-26	2536 752	7-06-1	2538 034	4-10-33	2570 017	23-64-28	2576 754-5	23-32-93
2534 814	13-36-5	2536 762	8-36-4	2538 042	4-10-32	2570 204-5	23-34-117	2576 942	23-48-68
2534 815	13-36-5	2536 774	9-48-126	2538 043	21-139-135	2570 238	23-63-14	2576 992	23-34-293
2534 842	22-01-5	2536 846	14-01-38		21-139-140	2570 240-1	23-64-308	2577 696	23-26-45
2534 894-5	5-05-16	2536 847	14-24-4	2538 047	21-133-7	2570 243	23-42-13	2577 697	23-26-45
2534 896-7	5-05-3	2536 918	6-09-1	2538 062	21-139-46	2570 244	23-42-16	2578 045	7-14-13
	22-03-1	2536 926	10-02-61	2538 064	21-142-18	2570 282-3	23-64-240	2578 715	7-08-2
2534 905	22-04-2	2536 932	9-03-28	2538 185	21-134-38	2570 295	23-66-135	2579 260	7-11-60
2534 922	5-70-1	2536 945	6-09-1	2538 196	21-09-2	2570 320	23-22-145	2579 306	7-11-35
2534 923	5-71-1	2536 983	9-07-5	2538 202	21-10-31	2570 370-1	23-64-308	2579 307	7-11-31
2534 926	4-23-28	2537 095	19-54-263	2538 206	21-118-40	2570 598	23-66-135	2579 904	12-07-1
2534 931	4-23-28	2537 153	19-19-35	2538 207	21-15-33	2570 605	23-66-135	2580 038	1-87-404
2534 937	4-25-6	2537 154	19-19-35	2538 257	21-85-61	2570 606	23-66-135	2580 061	8-16-4
2534 938	4-25-23	2537 178	19-01-50	2538 264	21-137-205	2570 718-9	23-09-51	2580 064	8-16-16
2534 952	4-25-1	2537 222	19-15-38	2538 407	21-129-5	2570 784-5	23-63-126	2580 065	8-16-16
2534 964	4-08-13	2537 228	19-57-19	2538 409	21-129-10	2570 786-7	23-63-126	2580 072	21-30-28
2534 966	4-23-1	2537 229	19-57-20	2538 421	21-39-3	2570 822-3	23-64-308	2580 200	23-67-132
2534 968	4-23-1	2537 346	19-02-4	2538 461	21-136-5	2570 962-3	23-64-308	2580 253	1-87-180
2534 982-3	13-11-18	2537 347	19-02-4	2538 472	21-136-52			2580 267	8-16-16

1969 PASSENGER CAR PARTS CATALOG

PART NUMBER	CODE	PART NUMBER	CODE	PART NUMBER	CODE	PART NUMBER	CODE	PART NUMBER	CODE
2580 361	1-87-22	2583 978	23-18-20	2588 330	23-59-57	2603 753	23-58-200	2604 360-1	23-64-311
	1-87-292	2583 980-1	23-18-26	2588 337	23-64-12	2603 877	23-64-300	2604 362-3	23-64-311
2580 381	21-30-62	2584 841	8-16-1	2588 598-9	23-09-56	2603 940-1	23-42-38	2604 650-1	23-63-55
2580 611	1-13-10	2584 842	8-16-1	2588 635	23-18-70	2604 006	23-64-314	2604 674-5	23-63-33
	8-13-2	2584 843	8-16-1	2588 641	23-54-53	2604 007	23-64-314	2604 804-5	23-51-41
2580 612	1-13-10	2584 953	8-16-1	2588 662	23-48-99	2604 009	23-64-314	2604 850-1	23-36-66
	1-30-1	2584 954	8-16-1	2588 718-9	23-09-52	2604 024	23-64-66	2604 858-9	23-40-96
2580 772	8-05-20	2584 971	8-11-8	2588 755	23-31-33	2604 025	23-64-66	2604 862-3	23-19-82
	8-53-294		8-39-15	2588 756	23-31-33	2604 026-7	23-64-66	2604 870-1	23-19-82
2580 774	1-06-18	2584 972	8-11-29	2588 818	23-48-21	2604 042-3	23-40-92	2604 886-7	23-64-84
	1-47-9		8-13-4	2588 824-5	23-63-136	2604 044-5	23-40-92	2604 888-9	23-64-84
	1-87-22		8-50-354	2588 899	23-32-93	2604 046-7	23-59-56	2604 898-9	23-51-6
	23-58-543		8-55-63	2589 046	23-26-80	2604 048-9	23-59-56	2604 900-1	23-51-6
	23-67-195		8-56-27	2589 097	8-05-10	2604 052-3	23-59-56	2604 902-3	23-32-112
2580 927	23-67-104		8-57-89	2589 177	23-20-41	2604 070-1	23-63-55	2604 906-7	23-36-120
2580 929	23-67-80	2585 000	8-27-71	2589 377	23-40-82	2604 073	23-34-166	2604 947	23-39-48
2580 944	23-67-82	2585 017	8-27-138	2589 422	23-40-82	2604 092-3	23-26-41	2604 954	23-63-20
	23-67-267	2585 019	8-27-205	2589 552	23-38-5	2604 100-1	23-26-41	2604 957	23-34-179
2581 324	23-40-82	2585 020	8-27-306	2589 587	23-02-62	2604 106-7	23-63-33	2604 979	23-58-569
2582 037	7-08-2	2585 021	8-27-133		23-02-78	2604 115	23-63-112	2604 996-7	23-34-330
2582 119	7-16-37	2585 022	8-27-137	2589 594	23-38-1	2604 120	23-34-167	2605 208	23-59-57
2582 134	15-03-5	2585 030	8-16-1	2589 597	23-38-14	2604 122	23-34-166	2605 327	23-58-220
2582 136	15-03-60	2585 118	14-73-1	2589 598	23-38-27	2604 124	23-34-179	2605 502	23-58-75
2582 681	7-16-22	2585 162	8-27-138	2589 615	23-02-111	2604 126	23-19-74	2605 504	23-58-75
2582 705	15-03-5	2585 174	8-57-54	2589 728	23-38-43	2604 128	23-19-74	2605 509	23-58-75
2582 874	12-02-5	2585 175	8-29-97	2589 789	23-38-44	2604 146-7	23-19-177	2605 514	23-58-84
2583 002-3	23-15-3	2585 226-7	17-11-3	2589 806	23-38-5	2604 149	23-63-172	2605 530	23-58-220
2583 010	23-32-80	2585 227	17-11-3	2589 819	23-26-87	2604 151	23-63-172	2605 684	23-58-215
	23-48-20	2585 234	17-11-3	2589 874	23-02-62	2604 152-3	23-51-5	2605 702	23-58-570
2583 022	23-54-73	2585 240	17-11-3		23-02-78	2604 154-5	23-51-5	2605 706-7	23-58-573
2583 023	23-54-92	2585 249	17-12-4	2600 702	14-86-57	2604 156-7	23-51-5	2605 708-9	23-58-573
2583 032-3	23-39-34	2585 298	5-05-9	2602 182-3	23-59-56	2604 160	23-32-22	2605 710-1	23-58-573
2583 064-5	23-39-5	2585 399	17-11-3	2602 294-5	23-32-93	2604 166-7	23-32-25	2605 756	23-58-607
2583 142	23-48-201	2585 404	14-43-5	2602 647	23-40-150	2604 168-9	23-34-242	2605 848-9	23-34-36
2583 144	23-48-19	2585 406	14-35-1	2602 648-9	23-40-177	2604 170-1	23-51-5	2605 854-5	23-59-61
2583 195	15-11-10	2585 408	14-35-1	2602 651	23-40-150	2604 175	23-32-70	2606 200	8-57-10
2583 206	15-11-3	2585 410	14-35-1	2602 652	23-40-155	2604 192-3	23-34-234	2606 627	8-50-156
2583 239	23-48-111	2585 417	14-43-5	2602 655	23-40-187	2604 194-5	23-34-234	2606 891	8-50-177
2583 331	23-54-73	2585 419	14-43-5	2602 656	23-40-187	2604 196-7	23-34-234	2607 002	23-61-120
2583 352	15-11-3	2585 463	14-30-7	2602 722	13-72-7	2604 198-9	23-34-234	2607 003	23-61-120
2583 377	23-17-10	2585 531	9-58-1	2602 765	23-58-436	2604 202-3	23-34-234	2607 004	23-61-124
	23-17-28	2585 571	21-01-3	2602 773	23-39-48	2604 206-7	23-34-234		24-28-341
	23-17-52	2585 589	21-138-2	2602 930-1	23-32-112	2604 208-9	23-34-234	2607 006	23-61-121
2583 391	23-18-48	2585 617	17-23-3	2603 154-5	23-64-281	2604 224-5	23-34-234	2607 025	24-01-39
2583 429	15-11-30	2585 618	17-23-3	2603 156	23-64-269	2604 226-7	23-34-27	2607 029	24-28-73
	23-48-44	2585 622	17-11-3	2603 240	8-56-25	2604 230-1	23-34-27	2607 043	24-01-3
	23-54-227	2585 640	17-11-3	2603 332	23-39-48	2604 232-3	23-34-27	2607 141	1-47-14
2583 468	23-15-30	2585 641	17-11-3	2603 490-1	23-64-299	2604 234-5	23-34-21	2607 171	1-48-125
2583 541	23-39-44	2585 642	17-11-3	2603 600	23-32-22	2604 240-1	23-19-82	2607 182	24-28-19
	23-41-7	2585 644	17-11-3	2603 604-5	23-51-5	2604 246-7	23-64-280	2607 242	1-47-22
2583 551	23-39-17	2585 645	17-11-3	2603 606-7	23-32-27	2604 254-5	23-36-53	2607 252	24-28-43
	23-41-83	2585 648	17-12-4	2603 608-9	23-32-27	2604 256-7	23-36-53	2607 270	23-61-122
2583 552	23-64-282	2585 651	17-12-4	2603 610-1	23-32-115	2604 258-9	23-36-53	2607 283	1-48-158
2583 559	23-39-2	2585 659	5-03-1	2603 620-1	23-32-17	2604 260-1	23-36-53	2607 285	1-48-606
2583 568	23-15-30	2585 679	5-03-1	2603 622-3	23-34-242	2604 262-3	23-36-53	2607 289	1-48-356
2583 578-9	23-15-3	2585 683	5-03-1	2603 624-5	23-51-5	2604 270-1	23-36-66	2607 290	1-48-408
2583 614	23-54-142	2585 685	5-03-1	2603 628-9	23-51-5	2604 286-7	23-34-246	2607 302	1-48-832
2583 616	23-32-57	2585 698	11-02-1	2603 638-9	23-34-234	2604 290-1	23-34-246	2607 312	1-48-126
	23-48-32	2585 699	17-23-3	2603 640-1	23-34-234	2604 292-3	23-64-281	2607 340	24-26-35
2583 620	23-17-74	2585 702	14-43-5	2603 642-3	23-19-82	2604 294-5	23-59-35	2607 526	24-26-35
2583 720	23-18-11	2585 784	14-50-25	2603 644-5	23-34-27	2604 296-7	23-59-35	2607 603	1-48-854
2583 721	23-18-11	2585 787	14-35-1	2603 646-7	23-34-27	2604 298-9	23-59-35	2607 645	1-48-611
2583 723	23-41-7	2586 000	8-27-71	2603 650-1	23-34-229	2604 300-1	23-59-35	2607 754	1-47-3
2583 764-5	23-41-4	2586 512	8-29-99	2603 652-3	23-34-22	2604 302-3	23-59-35	2607 769	1-47-14
2583 796-7	23-15-1	2586 590	8-16-1	2603 661	23-34-167	2604 306-7	23-59-35	2607 776	1-47-3
2583 817	23-18-49	2586 753	8-37-495	2603 665	23-34-166	2604 308-9	23-59-35	2607 783	24-28-399
2583 824	23-39-2	2586 760	8-15-3	2603 675	23-64-66	2604 312-3	23-34-36	2607 785	24-28-99
	23-39-44	2586 764	8-53-304	2603 688-9	23-59-56	2604 318-9	23-19-82	2607 807	1-48-707
	23-41-7	2586 991	8-36-1	2603 690	23-64-314	2604 322-3	23-19-82	2607 837	24-28-200
2583 849	23-54-205	2586 993	8-36-1	2603 691	23-64-314	2604 328-9	23-34-22	2607 838	24-28-107
2583 854-5	23-41-4	2587 284	8-55-57	2603 694-5	23-19-177	2604 338-9	23-64-311	2607 847	24-28-43
2583 860	23-17-9	2588 202	23-64-297	2603 700-1	23-64-311	2604 340-1	23-64-311	2609 204	23-26-45
	23-17-27	2588 294-5	23-32-93	2603 702-3	23-64-311	2604 350-1	23-64-311	2609 221	23-45-52
	23-17-51	2588 296-7	23-32-93	2603 722-3	23-36-66	2604 352-3	23-64-311	2609 250	23-45-47

1969 PASSENGER CAR PARTS CATALOG

PART NUMBER	CODE	PART NUMBER	CODE	PART NUMBER	CODE	PART NUMBER	CODE	PART NUMBER	CODE
2609 262	23-45-52	2643 591	11-05-1	2652 561	8-29-124	2658 955	6-09-1	2663 762-3	23-34-120
2609 878	23-45-184	2643 597	11-09-3	2652 562	8-29-124	2659 518	9-02-62	2663 782-3	23-64-308
2631 315	23-45-185	2643 607	11-09-3	2652 563	8-29-131	2660 296-7	5-05-3	2663 784-5	23-64-308
2631 317	8-19-87	2643 623	11-10-42	2652 564	8-29-98		22-03-1	2663 790	23-42-23
2631 318	8-16-6	2643 649	21-30-43	2653 277	9-02-50	2660 308	22-01-5	2663 942-3	23-22-78
2631 319	8-16-6	2643 702	6-22-1	2653 278	9-02-50	2660 312	22-01-5	2664 040	23-63-16
2631 340	8-16-8	2643 705	6-27-5	2656 004	13-72-12	2660 315	22-01-46		23-67-29
2631 507	24-24-156	2643 707	5-28-8	2656 087	23-02-115	2660 357	21-30-6	2664 154-5	23-34-121
2631 637	1-47-7	2643 709	5-28-9	2656 088	23-38-45	2660 359	21-30-13	2664 197	23-42-23
2631 657	1-47-15	2643 712	5-28-8	2656 089	21-30-408	2660 393	21-30-414	2664 198	23-42-23
2631 665	8-20-8	2643 714	5-28-9	2656 090	23-38-48	2660 401	19-48-46	2664 256	23-09-52
2631 689	1-47-8		6-39-9	2656 091	23-38-47	2660 411	19-48-46		23-09-58
	1-87-180	2643 717	6-52-5	2656 184	23-38-3	2660 412	19-48-46	2664 268	23-32-51
2631 702	23-67-262	2643 731	5-100-26	2656 391	23-02-110	2660 422	21-30-413	2664 275	22-20-87
2631 718-9	8-12-6	2643 855	14-86-40	2656 806	23-38-5	2660 440	11-10-3	2664 316-7	23-63-55
2631 727	8-11-12	2643 858	14-86-50	2656 812	23-38-5	2660 440-1	11-10-3	2664 330	23-32-15
2631 766	23-67-132	2643 859	14-86-69	2656 842	23-26-87	2660 511	11-05-4		23-34-123
2631 794	23-67-76	2643 860	14-86-69	2656 859	23-38-14	2660 518	11-01-1	2664 346	23-14-35
2631 828	8-15-27	2643 910	21-30-38	2656 886-7	23-04-205	2660 525	11-01-1	2664 408	23-63-97
2631 886	8-37-162	2643 956	14-86-42	2656 961	23-26-75	2660 550	16-02-1	2664 532-3	23-36-3
2638 662	21-139-135	2643 974	5-54-4	2656 972-3	23-20-24	2660 635	16-02-1	2664 625	23-34-10
2642 072	8-52-120	2643 998	14-86-35	2657 042	23-40-82	2660 669	16-14-0	2664 668	23-48-109
2642 228	8-28-3	2644 291	8-29-110	2657 101	23-26-87	2660 673	9-71-5	2664 681	23-32-51
	8-29-0	2644 292	8-29-99	2657 134	23-38-43	2660 682	16-02-1	2664 696	23-48-121
2642 229	8-28-3	2644 296	8-29-164	2657 175	23-38-5	2660 683	16-02-1	2664 730-1	23-48-99
	8-29-0	2644 299	8-29-153	2657 186	23-38-5	2660 687	16-02-1	2664 771	23-42-16
2642 411	8-28-3	2644 300	8-29-153	2657 284	23-02-105	2660 702	16-02-1	2664 972	23-31-33
	8-29-0	2644 301	8-29-184	2657 497	23-14-153	2660 776	5-100-62	2664 975	23-31-33
2642 412	8-28-3	2644 302	8-29-41	2657 530	21-30-416	2660 843	14-86-42	2664 976	23-31-33
	8-29-0	2644 303	8-29-41	2657 571	23-38-5	2660 856	14-86-35	2664 977	23-31-33
2642 475	8-36-114	2644 305	8-29-41	2657 572	23-38-5	2660 866	5-57-2	2765 025	23-48-21
2642 485	8-52-5	2644 306	8-29-181	2657 573	23-38-5	2660 867	5-57-2	2765 032	8-15-32
2642 506	8-52-41	2644 307	8-29-179	2657 577	23-38-5	2660 871	5-62-1		14-02-93
2642 609	8-28-3	2644 308	8-29-184	2657 580	23-38-5	2660 873	5-57-2	2765 086-7	23-48-201
2642 610	8-28-3	2644 309	8-29-179	2657 587	23-38-5	2660 874	5-57-2	2765 088	23-48-204
	8-29-0	2644 312	8-29-164	2657 877	23-02-68	2660 899	1-39-2	2765 089	23-48-202
2642 618	8-36-114	2644 313	8-29-184	2658 204	9-39-15	2661 118	23-18-104	2765 100	23-19-100
2642 633	8-29-98	2648 437	7-31-1	2658 238	14-29-26	2661 298	23-58-552	2765 197	23-47-55
2642 635	8-28-3	2648 869	23-32-19	2658 283	9-67-4	2661 429	8-37-313	2765 393	23-32-51
2642 650	8-29-97	2649 425	8-29-97	2658 286	14-14-20	2661 565	23-54-167		23-48-93
2642 670	8-35-41	2649 434	8-29-160	2658 291	8-27-338	2661 572	23-18-126	2765 433	23-47-66
2642 913	8-36-114	2649 435	8-29-154	2658 349	9-48-6	2661 746	23-18-103	2765 434	23-47-66
2642 919	8-36-115	2649 437	8-29-131	2658 352	7-03-1	2661 763	8-31-10	2765 578	15-11-74
2642 929	8-52-76	2649 438	8-29-131	2658 374	9-48-140	2661 835	1-04-14	2765 610-1	23-18-5
2642 930	8-52-4	2649 439	8-29-179	2658 387	14-29-15	2663 054-5	23-34-117	2765 653	23-18-29
	8-29-0	2649 440	8-29-181	2658 398	14-39-45	2663 108-9	23-34-121	2765 654	23-18-29
2642 944	8-28-3	2649 441	8-29-179	2658 399	14-39-45	2663 132	23-31-146	2765 663	15-13-2
	8-29-0	2649 442	8-29-131	2658 454	9-23-5	2663 133	23-31-146	2765 743	15-13-2
2642 961	8-52-345	2649 443	8-29-131	2658 456	7-07-1	2663 141	23-66-135	2765 771	23-18-20
2642 964	8-52-345	2649 444	8-29-184	2658 457	9-13-5	2663 142	23-66-135	2765 778-9	23-18-26
2642 986	8-27-71	2649 445	8-29-130	2658 458	9-13-5	2663 149	23-66-135	2765 790-1	23-15-1
2642 988	8-27-259	2649 446	8-29-130	2658 471	9-39-15	2663 150	23-66-135	2765 792-3	23-39-5
2643 103	3-19-1	2649 447	8-29-153	2658 625	9-48-8	2663 350	23-34-120	2765 798-9	23-39-34
2643 120	3-19-1	2649 486	8-29-98	2658 646	9-03-29	2663 354	23-34-120	2765 985	23-18-29
2643 204	3-19-1	2649 517	9-02-62	2658 685	10-24-8	2663 456-7	23-63-33	2767 468	23-52-1
2643 205	3-19-1	2649 519	9-02-62	2658 696	10-23-7	2663 460	23-63-14	2767 496	1-87-21
2643 206	3-19-1	2649 524	9-02-50	2658 697	10-03-4	2663 462-3	23-63-14	2767 497	1-87-21
2643 250	16-20-2	2651 490	9-01-24	2658 703	14-01-1	2663 466	23-63-14	2767 498	1-87-21
2643 419	3-03-1	2651 491	9-01-24	2658 704	14-01-1	2663 470-1	23-63-33	2767 50	1-87-334
2643 420	3-03-1	2651 662	9-01-24	2658 758	7-04-17	2663 472-3	23-63-126	2767 508	1-87-30
2643 421	3-02-1	2651 663	9-01-24		24-25-31	2663 474-5	23-63-126	2767 510	1-87-23
2643 461	3-32-1	2651 688	9-01-24	2658 759	7-04-17	2653 477	23-42-16	2767 513	1-87-11
2643 464	3-35-14	2651 689	9-01-24	2658 776	7-03-1	2663 479	23-42-16	2767 869	23-45-47
2643 506	11-05-1	2651 723	9-01-24	2658 784	9-67-4	2663 494-5	23-64-308	2768 024	5-03-23
2643 514	11-05-1	2651 738	9-02-5	2658 793	7-03-1	2663 496-7	23-64-308	2768 028-9	22-05-14
2643 542	11-05-4	2651 739	9-02-5	2658 852	14-29-7	2663 502-3	23-64-308	2768 061	21-30-393
2643 544	11-05-4	2651 741	9-02-5	2658 856	14-29-6	2663 558-9	23-63-127	2768 096	21-30-416
2643 546	11-05-4	2651 742	9-02-5	2658 871	9-13-5	2663 566-7	23-34-120	2768 287	19-15-20
2643 548	11-05-4	2652 064	8-29-110	2658 878	9-36-5	2663 572-3	23-09-56	2768 328	12-04-4
2643 550	11-05-4	2652 558	8-29-124	2658 879	9-36-5	2663 610-1	23-64-308	2768 348	13-33-69
2643 556	11-05-1	2652 559	8-29-97	2658 880	9-36-5	2663 612-3	23-64-308	2768 352	13-35-1
2643 559	11-05-1	2652 560	8-29-131	2658 882	9-03-11	2663 734-5	23-64-308	2768 362	12-04-4
2643 573	11-05-1			2658 888	9-58-12	2663 742	23-64-242	2768 364	13-33-68
				2658 895	7-03-1	2663 754-5	23-64-240	2768 366	13-33-61

PART NUMBER	CODE	PART NUMBER	CODE	PART NUMBER	CODE	PART NUMBER	CODE	PART NUMBER	CODE
2768 475	13-10-1	2771 588	8-55-57	2781 106	6-22-1	2782 160-1	23-34-22	2784 477	23-63-172
2768 486-7	23-32-115		8-56-34	2781 108	6-24-1	2782 162-3	23-64-213	2784 498-9	23-19-82
2768 490	23-32-17	2771 638	8-37-275	2781 121	6-52-10	2782 164-5	23-64-213	2784 516-7	23-63-33
2768 492	23-32-31	2771 639	8-37-136	2781 125	6-46-10	2782 374-5	23-34-21	2784 526-7	23-63-55
2768 575	13-64-3	2771 640	8-37-316	2781 134	6-19-2	2782 560-1	23-63-104	2784 557	23-58-84
2768 578-9	13-64-4	2771 641	8-37-1	2781 145	6-38-1	2782 668-9	23-32-93	2784 577	23-63-112
2768 580-1	13-64-4	2771 651-2	8-19-15	2781 147	6-50-1	2782 679	23-39-48	2784 606	23-32-19
2768 582-3	13-64-4	2771 668	23-02-38	2781 254	11-10-3	2782 680	23-39-48	2784 618-9	23-58-473
2768 584-5	13-64-4	2771 704	23-58-552	2781 263	11-01-1	2782 684	23-64-12	2784 652-3	8-55-23
2768 588	13-68-6	2771 705	1-47-15	2781 264	11-01-1	2782 700	23-64-290	2784 654-5	8-55-23
2768 594	13-68-6	2771 725	23-02-18	2781 265	11-01-1	2782 704	23-63-20	2784 693	23-58-571
2768 594-5	13-68-6	2771 821	23-33-216	2781 266	11-01-1	2782 728-9	23-34-191	2784 702-3	23-64-299
2768 595	13-68-6	2771 857	8-58-79	2781 270	11-05-1	2782 738-9	23-36-53	2784 711	23-64-300
2768 596	13-68-18	2771 917	8-16-4	2781 273	11-05-30	2782 744-5	23-64-213	2784 714	23-19-63
2768 600	13-66-3	2771 958	1-88-6	2781 278	11-05-1	2782 746	23-34-328	2784 715	23-19-63
2768 602	13-64-3	2771 967	23-67-25	2781 298	8-37-322	2782 772-3	23-64-299	2784 717	23-34-191
	13-66-3	2771 976	23-67-242	2781 300	11-01-1	2782 792-3	23-64-198	2784 718	23-34-179
2768 604-5	13-66-16	2771 994	1-88-159	2781 339	11-09-3	2782 794	23-64-17	2784 736-7	23-63-20
2768 606-7	13-66-44	2772 097	24-25-10	2781 368	11-09-3	2782 818	1-67-3	2784 784-5	23-34-22
2768 608	13-64-149	2772 098	24-27-15	2781 369	11-09-3	2782 827	23-34-275	2784 786-7	23-64-292
	13-66-135	2772 101	24-27-15	2781 381	21-30-21	2782 844-5	23-51-43	2784 957	23-64-17
2768 612-3	13-66-16	2776 146	24-25-132	2781 400	19-48-1	2782 865	23-64-12	2785 434	7-08-2
2768 616	13-68-6	2780 502	9-48-6	2781 401	19-48-1	2782 878	23-64-17	2785 435	7-08-2
2768 623	8-47-8	2780 506	9-48-6	2781 402	21-30-428	2783 028	23-59-57	2785 578	8-34-127
2768 624	8-47-8	2780 524	9-36-5	2781 407	19-48-44	2783 229	11-10-43	2785 614	7-08-2
2768 625	13-64-3	2780 525	9-36-5	2781 414	19-48-45	2783 298-9	23-63-33	2785 695	15-03-5
2768 628-9	13-64-4	2780 526	9-36-5	2781 416	19-48-53	2783 318	23-32-46	2785 722	8-34-50
2768 630-1	13-64-4	2780 531	9-31-4	2781 417	21-30-418	2783 323	23-19-198	2785 727	8-34-45
2768 634-5	13-68-6	2780 533	9-07-5	2781 419	19-48-46	2783 355	23-34-237	2785 728	8-34-96
2768 636	13-68-18	2780 534	9-50-5	2781 420	19-48-50	2783 358-9	23-26-47	2785 742	7-16-117
2768 643	1-70-1	2780 535	14-90-4	2781 424	19-48-45	2783 370-1	23-22-86	2785 743	7-16-14
2768 654-5	13-66-16	2780 542	9-48-7	2781 425	19-48-45	2783 424-5	23-22-53	2785 748	7-16-37
2768 656-7	13-66-44	2780 547	10-24-4	2781 429	19-48-46	2783 434-5	23-34-234	2785 791	7-16-61
2768 662	13-68-6	2780 557	9-03-4	2781 431	19-48-1	2783 440-1	23-36-53		23-54-11
2768 923	13-66-41	2780 566	9-03-29	2781 432	19-48-1	2783 454-5	23-34-22	2785 822	7-26-32
2769 174-5	23-36-5	2780 567	8-36-136	2781 433	19-48-1	2783 466-7	23-59-35	2785 824	8-34-52
2769 208	23-66-65	2780 572	9-17-5	2781 434	19-48-1	2783 474-5	23-63-20	2785 842	8-34-178
2769 289	23-19-84	2780 586	14-06-10	2781 518	5-56-2	2783 476-7	23-63-21	2785 871	15-03-69
2769 303	23-32-17	2780 587	14-06-10		14-90-1	2783 504-5	23-19-82	2785 877	23-33-96
2769 306-7	23-32-105	2780 589	14-26-6	2781 519	5-62-1	2783 509	23-64-66	2785 883	8-34-291
2769 490	23-64-66	2780 595	14-15-10	2781 545	5-05-17	2783 516-7	23-26-41	2785 892-3	8-34-296
2769 625	23-66-65	2780 599	14-11-9	2781 564-5	22-03-1	2783 532-3	23-63-55	2785 894-5	15-03-69
2769 640-1	23-51-5	2780 602	6-10-2	2781 566-7	22-05-14	2783 540-1	23-59-56	2786 173	15-11-46
2769 660	23-34-80	2780 613	9-48-26	2781 576-7	22-03-1	2783 544-5	23-63-33	2786 182	15-03-5
2769 759	23-32-17	2780 614	9-50-18	2781 581	4-26-17	2783 550-1	23-19-177	2786 211	12-04-23
2769 820	23-64-66		11-06-8	2781 599	5-05-17	2783 552	23-19-84	2786 218-9	12-04-4
2769 987	23-48-188	2780 615	9-58-12	2781 672	19-14-80	2783 557	23-63-172	2786 220	12-04-23
2770 048	23-67-104	2780 629	14-30-2	2781 675	19-14-22	2783 704-5	23-32-93	2786 236	15-09-4
2770 090	23-67-98	2780 630	8-28-15	2781 676	19-14-104	2783 923	23-09-9	2786 258-9	12-04-4
2770 157	23-41-170	2780 639	10-07-10	2781 677	19-14-11	2783 924-5	23-36-53	2786 263	12-02-5
2770 181	1-88-15 ^o	2780 643	9-48-45	2781 679	19-14-85	2783 928-9	23-34-246	2786 362-3	7-16-11
2770 342	1-87-30	2780 653	14-29-24	2781 680	19-15-7	2783 936-7	23-59-37	2786 386	7-33-1
2770 378	23-67-160		14-29-26	2781 683	19-14-92	2783 938-9	23-36-120	2786 389	12-06-3
2770 433	8-01-4	2780 654	9-48-140	2781 684	19-14-102	2783 948-9	23-34-27	2786 391	15-11-46
2770 584	8-05-16	2780 672	9-64-24	2781 685	19-14-81	2783 952-3	23-34-21	2786 428	12-04-23
	8-53-296	2780 673	9-64-24	2781 808	8-58-66	2783 966-7	23-34-234	2786 430	15-11-46
2770 662	8-01-17	2780 680	9-50-6	2781 901	16-14-0	2783 990	23-64-12	2786 524	15-03-47
2770 859	8-16-6	2780 808	14-11-39	2781 904	16-10-3	2783 991	23-34-166	2786 563	7-16-37
	24-01-52	2780 832	14-26-6	2781 905	16-02-1	2784 008-9	23-63-20	2786 597	15-09-4
	24-24-55	2780 835	14-26-11	2781 923	16-10-2	2784 010	23-34-179	2786 794	7-33-18
2770 998	8-50-191	2780 838	14-11-9	2781 932	16-14-0	2784 014-5	23-19-177	2786 815	7-33-18
2771 124	1-06-3	2780 843	14-11-1	2781 944	16-10-1	2784 036-7	23-32-49	2786 857	7-16-11
2771 134	8-41-36	2780 849	14-11-48	2781 947	16-08-6	2784 069	23-58-605	2786 863	15-06-24
2771 147	8-19-15	2780 876	14-26-6	2781 951	16-02-1	2784 070	23-58-487	2786 872-3	8-34-1
2771 149	8-37-160	2780 904	10-24-4	2781 952	16-02-1	2784 071	23-58-603	2786 876-7	8-34-1
2771 150	8-37-160	2780 920	7-02-1	2782 004-5	23-66-77	2784 116	23-22-86	2786 882-3	8-34-176
2771 151	8-19-15	2780 946	9-48-6	2782 010	23-66-65	2784 170-1	23-64-299	2786 884-5	8-34-176
2771 167	8-37-275	2780 970	9-05-5	2782 029	23-66-235	2784 218	22-20-85	2786 922	8-34-31
2771 168	8-37-136	2780 988	7-43-1	2782 066-7	23-64-84	2784 228	23-19-74	2786 935	12-07-1
2771 169	8-37-1	2780 992	7-04-1	2782 080-1	23-22-86	2784 300	23-58-75	2786 936-7	7-26-15
2771 201	8-37-178	2780 999	10-23-7	2782 082-3	23-22-53	2784 318	23-51-41	2786 947	7-26-15
2771 222	8-19-15	2781 018	5-05-2	2782 090-1	23-63-20	2784 400-1	23-22-53	2786 955	15-03-47
2771 277	23-02-19	2781 019	5-67-1	2782 102-3	23-34-176	2784 440	23-32-29	2786 972-3	8-34-1
2771 534	8-33-90	2781 105	5-27-6	2782 108-9	23-34-191	2784 0	17-19-4	2787 776-7	23-26-23

1969 PASSENGER CAR PARTS CATALOG

PART NUMBER	CODE	PART NUMBER	CODE	PART NUMBER	CODE	PART NUMBER	CODE	PART NUMBER	CODE
2787 778-9	23-26-23	2800 817	21-30-418		21-139-12	2806 197	19-54-115	2808 238	9-09-2
2787 780-1	23-26-23	2800 818	19-48-45	2801 815	21-136-47	2806 198	19-54-115	2808 239	9-09-2
2787 782-3	23-26-47	2800 819	21-30-10	2801 818	21-136-30	2806 203	7-03-1	2808 240	9-09-2
2787 851	23-20-29	2800 826	6-16-1	2801 828	21-142-18	2806 211	9-13-5	2808 241	9-09-2
2787 857	23-04-229	2800 827	6-14-1	2801 844	21-133-20	2806 216	7-03-1	2808 242	9-09-2
2787 948-9	23-26-85	2800 848	6-22-15	2801 853	9-46-44	2806 239	10-03-14	2808 243	9-09-2
2788 032	23-02-62	2800 906	14-86-40	2801 854	9-46-31	2806 242	10-03-14	2808 244	9-09-2
	23-02-78	2800 914	14-86-40	2801 871	21-137-205	2806 243	10-03-7	2808 245	9-09-2
2788 080	23-20-14	2800 918	14-86-42	2801 890	21-09-5	2806 244	10-03-10	2808 246	9-09-2
2788 084-5	23-20-14	2800 939	19-48-45		21-19-2	2806 260	8-28-36	2808 247	9-09-2
2788 086-7	23-20-24	2800 942	19-48-46	2801 892	21-09-29	2806 270	10-07-6	2808 248	9-09-2
2788 088	23-20-65	2800 947	19-48-1	2801 893	21-09-33	2806 273	10-22-40	2808 249	9-09-2
2788 252-3	23-20-14		21-30-418	2801 907	9-46-31	2806 353	9-58-5	2808 253	17-12-4
2788 320	23-40-82	2800 970	19-48-46	2801 911	21-119-15	2806 387	9-59-13	2808 256	17-12-4
2788 366	23-38-1	2800 972	19-48-45	2801 912	21-119-15	2806 393	10-24-4	2808 267	22-06-18
2788 367	23-38-1	2801 012	21-133-7	2801 916	21-119-15	2806 408	14-11-48	2808 268	22-06-18
2788 372	23-38-2	2801 018	21-134-5	2801 918	21-119-15	2806 442	14-11-18	2808 269	22-06-18
2788 400-1	23-20-24	2801 045	21-129-10	2801 919	21-119-15	2806 445	14-06-10	2808 272	3-33-1
2788 485	23-26-80	2801 053	21-129-5	2801 949	21-133-22	2806 451	14-06-10	2808 298	5-03-1
2788 701	23-02-68	2801 054	21-129-7	2801 958	21-136-49	2806 459	14-11-9	2808 306	9-50-1
2788 733	23-02-79	2801 060	21-134-30	2801 961	21-133-39	2806 463	14-06-1	2808 342	9-32-2
2788 831	23-18-54	2801 061	21-134-5	2801 969	21-133-39	2806 464	14-06-1	2808 343	9-09-2
2788 836-7	23-20-24	2801 105	21-10-16	2801 989	21-133-7	2806 465	14-06-10	2808 344	9-09-2
2788 859	23-38-1	2801 107	21-10-3	2801 992	21-133-36	2806 466	14-14-1	2808 345	9-09-2
2788 930-1	23-26-23	2801 109	21-15-2	2802 096-7	23-18-11	2806 467	14-11-9	2808 351	9-01-5
2788 932-3	23-26-23	2801 157	4-10-10	2802 098-9	23-18-11	2806 476	9-67-4	2808 362	21-138-2
2788 934-5	23-26-23	2801 161	21-133-48	2802 104-5	23-18-25	2806 479	9-64-24	2808 365	16-20-1
2788 936-7	23-26-47		21-133-62	2802 106-7	23-18-26	2806 637	7-06-1	2808 366	17-11-3
2788 952-3	23-26-47	2801 162	21-133-62	2802 114	23-18-20	2806 643	7-06-14	2808 366-7	17-11-3
2788 978	23-40-82	2801 167	21-133-36	2802 116	23-18-24	2806 659	9-03-28	2808 367	17-11-3
2789 126	23-38-29	2801 171	21-134-5	2802 120-1	15-19-2	2806 661	9-03-28	2808 376	17-23-3
2789 134	23-26-58	2801 180	21-134-5	2802 211	23-64-282	2806 671	10-26-26	2808 377	17-23-3
2789 135	23-26-58	2801 197	21-139-63	2802 218	15-13-2	2806 687	24-25-15	2808 378	17-23-3
2789 250	23-38-44	2801 198	21-139-60	2802 303	23-21-18	2806 718	6-09-1	2808 379	17-23-3
2789 380	23-38-46	2801 217	21-136-20	2802 482	23-64-197	2806 743	9-58-12	2808 391	5-105-1
2789 423	23-20-65	2801 220	21-133-7	2802 526-7	23-48-100	2806 779	9-67-4	2808 393	9-58-1
2789 604	23-20-14	2801 241	21-137-53	2802 528	23-48-40	2806 812	24-25-10	2808 394	2-08-57
2789 606-7	23-20-14	2801 243	21-133-20	2802 533	23-48-59	2806 816	9-48-7	2808 399	17-15-25
2789 608	23-20-14	2801 244	21-139-135	2802 534	23-48-200	2806 823	8-35-41	2808 401	5-05-9
2789 728	23-34-38	2801 254	21-139-140	2802 535	23-48-20	2806 841	9-64-24	2808 402	5-03-3
2789 775	23-26-80	2801 257	21-138-13	2802 536	23-48-203	2806 842	9-67-4	2808 404	5-03-3
2789 856-7	23-26-47	2801 259	21-139-9	2802 537	23-48-60	2806 844	9-67-4	2808 414	21-01-3
2789 941	23-40-82	2801 271	21-137-35	2802 538	23-48-51	2806 898	9-48-6	2808 417	2-14-1
2800 058	3-03-1	2801 272	21-137-47	2802 539	23-48-23	2806 945	9-17-5	2808 419	19-01-3
2800 149	3-06-5	2801 273	21-137-41	2802 564	1-67-12	2806 982	9-48-44	2808 420	19-01-3
2800 150	3-07-1	2801 274	21-137-53	2802 570	23-18-29	2806 983	8-36-124	2808 424	19-48-7
2800 175	3-02-1	2801 281	21-137-35	2802 601	23-48-205	2806 984	9-03-5	2808 425	19-48-7
2800 182	3-32-1	2801 284	21-133-7	2802 644	23-17-10	2807 425	23-34-193	2808 426	19-48-7
2800 224	3-02-1	2801 295	21-139-147		23-17-52		23-64-1	2808 427	19-48-7
2800 227	3-02-1	2801 311	21-133-40	2802 691	23-19-92	2807 956-7	23-64-240	2808 435	6-17-3
2800 274	3-19-1	2801 314	21-05-1	2802 710	23-21-3	2808 016	14-43-5	2808 441	10-02-62
2800 281	3-19-1	2801 315	21-134-10	2802 796	23-54-100	2808 023	14-30-7	2808 445	2-08-59
2800 437	3-33-8	2801 316	21-137-22	2802 800-1	23-39-5	2808 059	14-41-23	2808 446	9-58-1
2800 438	3-03-1	2801 348	21-129-23	2802 802-3	23-39-5	2808 061	14-41-22	2808 453	9-35-1
2800 439	3-03-1	2801 356	21-133-48	2802 836	15-11-38	2808 062	14-41-7	2808 454	9-35-1
2800 440	3-03-1	2801 359	9-46-4	2802 869	23-21-3	2808 101	14-50-25	2808 455	9-35-1
2800 441	3-03-1	2801 363	21-134-9	2802 880	15-11-16	2808 198	14-35-1	2808 474	9-35-1
2800 442	3-03-1	2801 381	21-14-19	2802 949	23-18-29	2808 219	9-32-2	2808 475	9-35-1
2800 443	3-02-1	2801 398	21-04-2	2802 973	23-18-37	2808 220	9-32-2	2808 476	9-35-1
2800 484	3-22-24	2801 405	9-46-33	2802 974	15-11-16	2808 221	9-32-2	2808 477	9-35-1
2800 485	3-22-25	2801 426	21-136-233	2802 991	15-19-8	2808 222	9-32-2	2808 478	9-35-1
2800 504-5	22-05-14	2801 568	21-05-35	2802 998	23-32-84	2808 223	9-32-2	2808 479	9-35-1
2800 593	5-03-6	2801 626	21-133-31		23-48-30	2808 226	3-22-24	2808 480	9-01-5
2800 607	5-03-6	2801 692	21-09-30	2802 999	23-48-93	2808 227	9-34-5	2808 482	9-01-5
2800 647	13-33-68	2801 724	21-04-11	2806 018	9-03-18	2808 228	9-34-5	2808 483	9-39-1
2800 658-9	23-32-110	2801 726	21-04-11	2806 025	9-64-24	2808 229	9-34-5	2808 486-7	2-10-55
2800 738	19-15-44	2801 727	21-133-10	2806 032	7-14-4	2808 230	9-34-5	2808 490	5-03-1
2800 741	19-15-28	2801 728	21-129-23	2806 037	9-48-56	2808 231	9-34-5	2808 494	5-03-3
2800 757	19-14-23	2801 733	21-09-30	2806 040	8-28-36	2808 232	9-34-5	2808 495	5-03-3
2800 802	19-48-16	2801 745	9-46-8	2806 070	7-07-1	2808 233	9-34-5	2808 496	5-03-3
2800 804	19-48-6	2801 762	9-46-4	2806 150	9-59-15	2808 234	9-34-5	2808 497	5-03-3
2800 812	21-30-416	2801 764	9-46-4	2806 151	9-58-14	2808 235	9-09-2	2808 499	5-03-3
2800 814	19-48-45	2801 766	9-46-4	2806 152	24-25-10	2808 236	9-09-2	2808 507	10-07-6
2800 815	21-30-418	2801 783	21-129-12	2806 158	7-03-1	2808 237	9-09-2	2808 509	10-07-6

1969 PASSENGER CAR PARTS CATALOG

PART NUMBER	CODE	PART NUMBER	CODE	PART NUMBER	CODE	PART NUMBER	CODE	PART NUMBER	CODE
2808 510	10-07-6	2809 013	23-67-252	2811 472-3	23-64-308	2822 185	8-11-16	2823 518	4-23-1
2808 523	17-12-4	2809 016	8-16-1	2811 474-5	23-64-308	2822 187	8-33-121	2823 521	4-25-3
2808 525	5-26-1		23-41-176	2811 494-5	23-36-53	2822 196	8-55-57	2823 544	6-24-1
2808 532	17-12-4	2809 017	8-16-1	2811 498-9	23-34-27	2822 206	1-48-516	2823 545	6-52-1
2808 535	17-11-3		23-41-176	2811 523	23-64-74	2822 229	8-15-27	2823 546	6-24-1
2808 538	17-12-4	2809 018	8-16-1	2811 622-3	23-63-33	2822 261	23-67-107	2823 548	6-43-7
2808 539	17-12-4	2809 018-9	23-41-176	2811 631	23-31-146	2822 268	23-67-8	2823 549	4-08-2
2808 544	13-72-1	2809 019	8-16-1	2811 744-5	23-36-53	2822 269	23-67-30	2823 557	5-28-9
2808 547	17-12-4	2809 033	8-58-60	2811 746-7	23-36-53	2822 270	23-67-265	2823 558	5-28-8
2808 550	9-35-1	2809 034	8-16-1	2811 748-9	23-36-53	2822 272	23-67-76	2823 559	6-22-19
2808 551	9-35-1	2809 035	8-16-1	2811 750	23-34-5	2822 273	23-67-76	2823 570	6-19-2
2808 552	9-35-1	2809 036	8-16-1	2811 756-7	23-34-234	2822 275	23-67-243	2823 572	6-38-1
2808 577	5-39-3	2809 037	8-16-1	2811 758-9	23-51-41	2822 277	23-67-260	2823 600	6-52-4
2808 578	5-39-1	2809 038	8-16-1	2811 760-1	23-51-41	2822 283	1-82-2	2823 601	6-52-5
2808 579	2-10-61	2809 039	8-16-1	2811 762-3	23-51-52	2822 313	8-58-79	2823 602	6-52-7
2808 580	2-10-61	2809 041	1-48-941	2811 772-3	23-63-100	2822 322	8-58-60	2823 603	5-101-5
2808 585	21-01-3	2809 046	8-53-150	2811 774-5	23-64-311	2822 329	1-87-5	2823 604	5-101-5
2808 586	3-33-1	2809 047	8-53-150	2811 776-7	23-64-311	2822 370	23-06-17	2823 607	6-38-1
2808 590	4-23-1	2809 087	8-05-14	2811 780-1	23-22-53	2822 427	23-47-455	2823 617	5-27-1
2808 594	4-23-1		8-53-270	2811 782	23-22-53	2822 461	8-33-164	2823 618	5-27-1
2808 596	4-23-1	2809 090	8-36-1	2811 783	23-22-53	2822 471	8-11-2	2823 748	19-15-4
2808 599	5-39-3	2809 091	1-48-125	2811 794-5	23-34-120	2822 529	1-47-10	2823 781	5-100-188
2808 600	5-39-3	2809 101	14-50-25	2811 825	23-34-123	2822 564	8-11-14	2823 842	22-01-51
2808 601	5-39-1	2809 117	8-50-334	2811 852	23-09-58	2822 565	8-16-4	2823 845	22-01-49
2808 606	5-39-1	2809 122-3	8-50-334		23-09-64	2822 583	8-38-3	2823 848-9	22-05-24
2808 609	5-105-1	2809 150-1	8-50-334		23-64-272	2822 592	8-12-2	2823 888	1-39-2
2808 617	5-39-1	2809 152	8-27-292	2811 861	23-32-51	2822 599	8-31-11	2823 913	11-08-24
2808 620	2-10-6	2809 153	8-27-279	2811 953	23-64-71	2822 617	23-06-14		11-09-4
2808 621	2-10-7	2809 224	14-35-1	2811 962-3	23-09-47	2822 623	8-15-17	2823 927	11-10-3
2808 622	10-02-62	2809 243	14-50-25	2811 984	23-34-5	2822 692	8-15-27	2823 929	11-10-3
2808 637	21-136-228	2809 248	14-30-30	2811 985	23-34-5	2822 818	23-06-21	2823 933	11-10-3
2808 641	13-72-4	2809 252	14-35-9	2811 986	23-22-53	2822 827	23-02-18	2823 949	11-09-3
2808 648	17-12-4	2809 254	14-35-1	2811 987	23-22-53	2822 880	8-37-90	2823 950	5-39-26
2808 662	7-41-4	2809 273	14-43-5	2811 992-3	23-64-71	2822 893	8-37-372	2823 989	5-100-188
2808 664	2-10-57	2809 283	14-35-1	2811 998	23-34-237	2822 894	8-37-372		5-100-189
2808 665	2-10-57	2809 286	14-39-45		23-64-71	2822 895	8-37-372	2823 990	5-101-1
2808 668	21-136-232	2809 305	14-35-1	2812 689	24-27-5	2822 979	8-33-118	2823 991	5-101-1
2808 669	21-136-232	2809 335	14-30-8	2812 692	24-27-15	2822 989	23-67-25	2823 992	5-101-16
2808 672	21-136-235	2809 395	14-30-8	2812 726	24-28-220	2822 990	23-67-25	2823 993	5-100-32
2808 673	21-136-235	2809 396	14-30-8	2814 688	24-25-107	2822 993	23-54-125	2823 994	5-39-24
2808 675	21-118-6	2809 397	14-30-8	2814 693	24-26-100	2822 999	23-67-5	2823 999	5-39-20
2808 677	17-11-3	2809 862	7-16-63	2815 755	25-25-154	2823 004	22-01-42	2825 417	10-01-62
2808 678	17-12-4	2809 940-1	23-14-53	2820 034	8-42-1	2823 010	22-01-42	2834 740	13-54-4
2808 679	7-42-1	2809 961	23-64-240	2820 036	8-42-5	2823 014	22-01-42	2834 767	17-19-3
2808 680	7-42-1	2811 024	23-31-146	2820 116	8-53-271	2823 048	22-01-43	2834 797	17-11-14
2808 681	7-42-1	2811 044-5	23-63-55	2820 135	8-05-16	2823 192	5-03-6	2834 841	17-15-11
2808 682	7-42-4	2811 082	23-63-14		8-53-296	2823 209	5-03-6	2834 842-3	17-15-11
2808 683	7-42-4	2811 139	23-34-270	2820 186	1-87-180	2823 227	5-05-16	2834 852	17-11-28
2808 684	7-42-4	2811 141	23-34-255	2820 200	1-47-26	2823 229	5-05-17	2834 853	17-11-28
2808 685	21-118-6	2811 152-3	23-63-33		23-58-546	2823 234	5-05-13	2834 858	17-11-42
2808 686	2-10-61	2811 158-9	23-09-51	2820 234	1-47-8	2823 236-7	22-05-14	2834 915	17-19-3
2808 687	2-10-61	2811 263	23-66-235	2820 408	23-58-532	2823 276	5-05-10	2834 928	17-15-1
2808 689	9-50-1	2811 265	23-66-135	2820 409	8-53-308	2823 284-5	5-05-3	2834 929	17-19-3
2808 695	5-63-1	2811 266	23-66-135	2820 453	1-48-179		22-03-1	2834 930	17-19-3
2808 697	5-63-1	2811 273	23-22-145	2820 454	1-06-3	2823 288	5-05-16	2834 932	17-19-3
2808 699	5-05-9	2811 294-5	23-34-120	2820 455	1-47-7	2823 289	5-05-10	2834 933	17-19-3
2808 761	24-28-195	2811 306-7	23-63-126	2820 546	8-53-301	2823 304	5-57-2	2834 934	17-19-3
2808 763	23-41-106	2811 312-3	23-64-71	2820 568	1-87-58	2823 328	14-86-35	2834 936	17-19-3
2808 764	23-41-106	2811 338-9	23-64-48	2820 569	1-87-58	2823 375	5-100-26	2834 937	17-19-3
2808 765	23-41-106	2811 358-9	23-64-306		1-87-289	2823 377	5-105-6	2834 966	17-19-3
2808 766	23-41-106	2811 360-1	23-64-306	2820 615	1-87-2	2823 378	5-100-32	2835 826	19-27-31
2808 771	8-36-1	2811 370-1	23-34-120	2820 826	1-48-555	2823 379	5-113-17	2835 834	19-27-31
2808 772	24-28-210	2811 372-3	23-34-120	2820 880	24-01-36	2823 380	5-100-197	2835 842	19-27-31
2808 831	23-67-104	2811 420-1	23-09-56	2820 928	1-87-58	2823 381	5-100-199	2835 853	19-27-31
2808 850	8-52-85	2811 448-9	23-63-33	2822 012	8-37-7	2823 433	11-09-3	2835 895	19-27-40
2808 868	8-32-2	2811 450-1	23-63-33	2822 023	5-58-9	2823 452	11-10-3	2835 896	2-07-28
2808 869	8-32-2	2811 452-3	23-63-14		8-31-10	2823 456	11-10-3	2836 644	5-03-3
2808 880	1-48-46	2811 454-5	23-63-15	2822 024	21-84-1	2823 458	11-10-3	2836 716	23-20-14
	24-28-210	2811 456	23-63-97	2822 040	8-37-504	2823 462	11-10-3	2836 717	23-20-14
2808 897	8-27-308	2811 458	23-63-97	2822 126	8-33-90	2823 464	11-10-3	2836 733	8-37-316
2808 966	1-48-941	2811 460-1	23-64-308	2822 137	8-37-90	2823 490	11-05-1	2836 775	23-20-41
2808 997	8-56-8	2811 462-3	23-64-308	2822 138	8-37-178	2823 497	11-10-3	2836 809	5-107-38
2809 009	23-67-160	2811 464-5	23-64-308	2822 139	8-37-178	2823 499	11-09-3	2836 810	5-107-34
2809 011	23-67-240	2811 466-7	23-64-308	2822 184	8-11-12	2823 501	4-23-1	2836 984	8-34-5

1969 PASSENGER CAR PARTS CATALOG

PART NUMBER	CODE	PART NUMBER	CODE	PART NUMBER	CODE	PART NUMBER	CODE	PART NUMBER	CODE
2836 985	8-34-40	2837 849	24-28-113	2838 642-3	23-63-33	2840 343	23-32-48	2841 746-7	23-63-21
2836 986	8-34-40	2837 877	24-28-318	2838 661	23-63-172	2840 346-7	23-63-20	2841 800	1-67-3
2836 988	15-11-5	2837 889	24-29-1	2838 662	23-63-172	2840 350-1	23-22-53	2841 832	23-63-112
2836 990-1	7-16-25	2837 891	24-29-1	2838 663	23-64-314	2840 364	23-59-37	2841 835	23-64-12
2836 992	7-16-25	2837 894	24-29-1	2838 664	23-64-314	2840 366-7	23-34-22	2841 848	23-19-82
2836 997-8	8-34-31	2837 933	24-28-404	2838 672-3	23-22-53	2840 372-3	23-34-234	2841 880-1	23-63-33
2837 062	24-28-73	2837 940	1-48-151	2838 682-3	23-26-41	2840 382-3	23-32-52	2841 906-7	23-34-27
2837 079	1-48-88	2837 947	24-28-318	2838 707	23-32-48	2840 384	23-64-66	2841 908-9	23-34-27
2837 087	1-48-151	2837 968	24-28-51	2838 712	23-34-166	2840 397	23-34-179	2842 080	23-32-24
2837 100	1-48-88	2837 969	1-47-1	2838 722-3	23-36-53	2840 410-1	23-32-10	2842 120	13-72-8
2837 109	24-28-19	2837 970	1-47-1	2838 726-7	23-36-66	2840 418	23-23-11	2842 122	13-72-6
2837 113	24-01-10	2837 971	1-47-1	2838 786-7	23-36-53	2840 432-3	23-23-75	2842 192	23-22-145
2837 128	24-25-38	2837 972	1-47-1	2838 870-1	23-34-27	2840 536-7	23-32-17	2842 194-5	23-22-145
2837 162	24-25-232	2837 990	1-48-559	2838 976-7	23-48-99	2840 544-5	23-51-5	2842 205	23-22-145
2837 163	24-25-20	2838 002-3	23-32-49	2838 999	23-32-17	2840 670-1	23-63-100	2842 310-1	23-51-5
	24-25-25	2838 008-9	23-34-242	2839 001	1-67-3	2840 672-3	23-63-100	2842 316	23-64-282
2837 168-9	1-48-151	2838 010-1	23-59-35	2839 018	13-72-8	2840 704-5	23-22-53	2842 322	23-34-301
2837 177	1-47-3	2838 014-5	23-64-213	2839 052-3	23-26-47	2840 706-7	23-22-53	2842 323	23-34-301
2837 178	1-47-14	2838 024-5	23-36-53	2839 054	23-26-77	2840 708-9	23-64-311	2842 324	23-34-301
2837 199	1-48-559	2838 086-7	23-63-21	2839 056-7	23-26-77	2840 710-1	23-64-311	2842 325	23-34-301
2837 219	1-47-6	2838 090	23-34-166	2839 058	23-26-77	2840 714-5	23-64-67	2842 326	23-34-301
	1-87-22	2838 103	23-34-301	2839 102-3	23-26-47	2840 719	23-40-86	2842 327	23-34-166
2837 220	1-47-4	2838 130	23-64-314	2839 108	23-26-83	2840 751	23-34-167	2842 328	23-34-166
2837 223	24-24-150	2838 131	23-64-314	2839 109	23-48-32	2840 802-3	23-64-311	2842 344	23-64-314
2837 237	1-47-12	2838 132	23-64-66	2839 110	23-48-21	2840 804-5	23-64-311	2842 345	23-64-314
2837 243	24-28-10	2838 149	23-63-172	2839 139	23-63-37	2840 808-9	23-64-311	2842 347	23-64-315
2837 262	1-47-1	2838 204-5	23-59-37	2839 148	23-66-239	2840 810-1	23-64-311	2842 348	23-34-193
2837 285	24-28-72	2838 208-9	23-34-246	2839 156-7	23-19-82	2840 820-1	23-51-43	2842 363	23-34-193
2837 291	24-28-211	2838 210-1	23-34-246	2839 169	23-64-66	2840 884-5	23-59-57	2842 442-3	23-40-85
2837 303	1-47-6	2838 214-5	23-51-19	2839 172-3	23-26-47	2840 944-5	23-09-9	2842 444-5	23-40-85
2837 314	24-01-46	2838 216-7	23-34-27	2839 174	23-04-205	2840 966-7	23-19-177	2842 446-7	23-40-85
2837 336	24-24-40	2838 218-9	23-34-27	2839 184	23-38-27	2840 971	23-19-74	2842 448-9	23-40-85
2837 374	24-24-45	2838 224-5	23-34-36	2839 186	23-38-27	2841 038	17-19-20	2842 450-1	23-40-85
2837 382	24-24-150	2838 236-7	23-34-234	2839 228-9	23-09-9	2841 039	17-19-20	2842 452-3	23-40-85
2837 386	24-24-150	2838 246-7	23-58-434	2839 318	23-66-69	2841 044-5	23-64-299	2842 466-7	23-40-85
2837 402	24-25-132	2838 248	23-34-166	2839 350-1	23-59-37	2841 048-9	23-51-41	2842 472-3	23-34-234
2837 403	24-25-110	2838 250	23-34-179	2839 354-5	23-58-473	2841 050	23-58-572	2842 478-9	23-34-234
2837 419	24-01-24	2838 256-7	23-19-177	2839 402-3	23-34-330	2841 052	23-51-41	2842 508-9	23-51-5
2837 500	1-48-1	2838 276-7	23-51-19	2839 442	23-63-16	2841 062-3	23-51-41	2842 511	23-64-314
2837 501	1-48-1	2838 278-9	23-51-19	2839 466-7	23-26-77	2841 069	23-58-569	2842 512	23-64-314
2837 502	1-48-125	2838 282-3	23-51-5	2839 486-7	23-34-275	2841 089	23-64-299	2842 531	23-63-112
2837 550	1-48-1	2838 284-5	23-51-5	2839 510	23-51-41	2841 102-3	23-34-234	2842 534	23-63-114
2837 551	1-48-707	2838 286-7	23-34-229	2839 542-3	23-34-242	2841 104-5	23-22-53	2842 537	23-14-81
2837 553	1-48-365	2838 322-3	23-34-234	2839 544-5	23-34-242	2841 158-9	23-34-326	2842 538	23-14-70
2837 555	24-28-405	2838 326-7	23-34-234	2839 547	23-64-12	2841 170-1	23-09-9	2842 540	23-32-27
2837 564	24-28-387	2838 330-1	23-34-27	2839 566	23-63-21	2841 172	23-32-48	2842 560-1	8-55-32
2837 565	24-28-387	2838 386-7	23-64-213	2839 568-9	23-63-21	2841 264	17-19-21	2842 562-3	8-55-32
2837 579	24-28-73	2838 388-9	23-64-280	2839 570-1	23-63-21	2841 278-9	23-19-82	2842 569	23-63-116
2837 587	24-28-334	2838 398-9	23-36-53	2839 582-3	23-19-82	2841 280-1	23-19-82		23-66-75
2837 590	24-28-334	2838 404-5	23-36-53	2839 612-3	23-59-35	2841 300-1	23-59-35	2842 572-3	23-40-85
2837 591	24-28-326	2838 406-7	23-36-53	2839 640	23-34-167	2841 302-3	23-59-35	2842 576-7	23-40-85
2837 632	24-28-96	2838 434-5	23-64-311	2839 646	23-63-112	2841 314-5	23-26-41	2842 585	23-58-572
2837 638	24-28-115	2838 436-7	23-64-311	2839 648-9	23-34-242	2841 360-1	23-58-473	2842 599	23-66-69
2837 652	24-28-73	2838 438-9	23-64-311	2839 650-1	8-55-23	2841 366-7	23-34-326	2842 616-7	23-63-136
2837 678	1-48-599	2838 440-1	23-64-311	2839 660-1	23-51-41	2841 380-1	23-19-82	2842 618-9	23-63-136
2837 680	1-48-50	2838 446-7	23-64-281	2839 679	23-40-86	2841 440-1	23-63-33	2842 620-1	23-63-133
2837 690	24-28-84	2838 464-5	23-63-33	2839 684	23-64-299	2841 442	17-11-40	2842 624-5	23-58-230
2837 730	24-28-73	2838 476-7	23-34-22	2839 950-1	23-63-21	2841 445	23-64-159	2842 630-1	23-58-230
2837 748	1-47-3	2838 482-3	23-19-82	2839 960-1	23-34-229	2841 446	23-14-80	2842 651	23-64-299
2837 752	1-47-4	2838 510-1	23-59-35	2840 066	7-16-61	2841 447	23-64-181	2842 704-5	23-19-181
2837 778	24-28-78	2838 514-5	23-63-21	2840 205	23-34-179	2841 498-9	23-58-434	2842 708	23-19-84
2837 790	24-28-16	2838 516-7	23-63-20	2840 206-7	23-64-213	2841 516-7	23-34-242	2842 710-1	23-59-41
2837 792	24-28-25	2838 548	23-34-179	2840 210	23-58-573	2841 518	23-34-281	2842 712-3	23-19-177
2837 802	1-48-1	2838 553	23-64-66	2840 228	23-34-166	2841 522-3	23-19-177	2842 742-3	23-22-145
	24-01-1	2838 558-9	23-40-92	2840 274-5	23-59-61	2841 578-9	17-11-40	2842 750-1	23-59-56
2837 803	24-01-18	2838 564	23-64-66	2840 276-7	23-59-61	2841 600-1	23-34-41	2842 752-3	23-59-56
2837 805	24-28-203	2838 565	23-64-66	2840 278-9	23-59-61	2841 624-5	23-63-21	2842 754-5	23-19-188
2837 810	24-28-73	2838 568-9	23-64-66	2840 280-1	23-59-61	2841 626-7	23-63-21	2842 764-5	23-40-85
2837 813	24-24-67	2838 572	23-34-301	2840 282-3	23-59-61	2841 632-3	23-63-20	2842 766-7	23-40-85
2837 820	1-48-599	2838 573	23-34-301	2840 284-5	23-36-53	2841 634-5	23-63-20	2842 768-9	23-40-85
2837 836	24-28-78	2838 574-5	23-40-85	2840 300-1	23-64-281	2841 646	23-64-282	2842 770-1	23-34-234
2837 837	24-28-78	2838 583	23-40-86	2840 312-3	23-64-299		23-64-293	2842 772-3	23-34-234
2837 845	24-01-36	2838 606-7	23-59-56	2840 328	13-72-6	2841 662-3	23-51-6	2842 776-7	23-34-234
2837 846	24-28-25	2838 620-1	23-19-177	2840 336-7	23-64-198	2841 678-9	23-19-177	2842 778-9	23-40-85

PART NUMBER	CODE	PART NUMBER	CODE	PART NUMBER	CODE	PART NUMBER	CODE	PART NUMBER	CODE
2842 789	23-19-206	2843 797	14-11-9	2852 826	3-32-1	2856 558	7-26-15	2857 881	14-02-91
2842 790	23-66-235	2843 799	14-26-6	2852 838	3-02-1	2856 580-1	13-66-16	2857 903	23-67-5
2842 791	23-34-240	2843 815	7-06-1	2852 880	3-04-6	2856 582-3	13-66-16	2857 904	23-67-25
2842 798-9	23-34-234	2843 819	9-03-4	2852 883	3-33-6	2856 588	13-68-18	2857 908	8-34-125
2842 800-1	23-63-55	2843 822	8-28-32	2852 884	3-32-1	2856 595	13-66-3	2857 917	23-67-132
2842 804	23-64-66	2843 868	9-07-5	2852 908	3-06-5	2856 600	13-64-3	2857 919	23-67-79
2842 808	1-67-16	2843 892	6-10-2	2852 909	3-07-1	2856 604-5	13-64-4	2857 920-1	23-67-86
2842 810	1-67-16	2843 904	9-03-4	2852 911	3-06-6	2856 606-7	13-64-4	2857 922	23-67-79
2842 824-5	23-36-66	2843 923	7-45-31	2852 912	3-07-2	2856 610-1	13-68-6	2857 934-5	23-67-86
2842 844-5	23-51-5	2843 941	9-07-5	2852 913	3-08-1	2856 612	13-68-18	2857 936	23-67-79
2842 848	23-58-557	2843 957	9-59-10	2852 916	3-11-13	2856 614	7-26-15	2857 937	23-67-79
2842 869	8-34-52	2843 966	9-48-6	2852 917	3-11-14	2856 625	13-66-3	2857 960	23-67-263
	23-19-63	2843 991	9-48-6	2852 921	3-03-29	2856 630-1	13-66-16	2857 962	23-67-8
2842 893	23-40-150	2846 167	9-03-4	2852 922	3-03-30	2856 633	13-68-6	2857 963	23-67-254
2842 894	23-40-150	2851 440	23-26-76	2852 948	3-35-14	2856 650	13-64-3	2857 964	23-67-265
2842 895	23-40-150	2851 442	23-26-76	2852 949	3-33-1	2856 654-5	13-64-4	2857 965	23-67-254
2842 896	23-40-170	2851 777	23-26-76	2853 437	8-56-23	2856 656-7	13-64-4	2857 966	23-67-30
2842 897	23-40-187	2852 007	5-57-2	2853 439	8-56-11	2856 659	13-64-72	2857 970	23-67-260
2842 898	23-40-180	2852 030	5-62-1	2853 440	8-56-11	2856 662	13-68-6	2857 975	23-67-267
2842 899	23-40-170	2852 031	5-57-2	2853 466	8-57-10	2856 664	13-68-20	2857 976	8-34-128
2842 900	23-40-170	2852 032	5-57-2	2853 549	23-39-44	2856 666	8-47-8	2857 981	23-67-25
2842 901	23-40-177	2852 033	5-55-1	2853 561	8-57-10	2856 668	13-64-149	2857 982	23-67-25
2842 908	23-40-153	2852 033-4	5-05-5	2853 563	8-57-10	2856 675	13-66-3	2858 089	23-45-31
2842 909	23-64-288	2852 034	5-55-1	2853 615	8-50-156	2856 680-1	13-66-16	2858 124	23-45-194
2842 958-9	23-34-234	2852 043	5-05-34	2853 624	8-50-170	2856 682	13-68-6	2858 151	23-45-47
2842 964-5	23-32-27	2852 044	5-05-37	2853 626	8-50-156	2856 868	13-68-25	2858 175	23-45-194
2842 966	23-32-27	2852 045	5-05-34	2853 636	8-50-175	2857 002	8-37-275	2858 193	23-45-204
2842 991	23-40-180	2852 046	5-57-4	2853 756	8-57-10	2857 003	8-37-136	2858 422	23-41-192
2843 022	9-62-2	2852 109	16-02-1	2853 758-9	8-50-175	2857 004	8-37-1	2858 582	23-45-185
2843 031	9-48-7	2852 118	16-02-1	2856 005	11-09-3	2857 005	8-37-1	2858 902-3	23-26-45
2843 071	14-29-5	2852 150	16-02-1	2856 005-6	11-09-3	2857 011	8-37-178	2858 967	23-45-66
2843 075	14-29-2	2852 151	16-02-1	2856 011	11-05-1	2857 014	8-19-15	2858 970	23-45-204
2843 082	14-29-12	2852 154	16-02-1	2856 029	11-06-8	2857 019	23-33-20	2859 001	23-66-65
2843 156	14-39-45	2852 161	16-02-1	2856 038	11-05-1	2857 100	23-06-15	2859 002	23-66-65
2843 167	9-03-4	2852 162	16-02-1	2856 081	5-55-1	2857 130	23-06-10	2859 056-7	23-11-1
2843 177	9-41-1	2852 164	16-02-1	2856 083	5-55-1	2857 161	8-19-15	2859 072-3	23-34-120
2843 178	9-41-1	2852 165	16-02-1	2856 085	5-62-1	2857 163	8-37-372	2859 078-9	23-34-120
2843 179	9-41-1	2852 166	16-02-1	2856 116	13-72-3	2857 164	8-37-372	2859 080-1	23-11-3
2843 180	9-41-1	2852 175	16-03-1	2856 125	13-72-2	2857 169	8-37-1	2859 088-9	23-11-3
2843 181	9-41-1	2852 206	16-02-1	2856 141	13-72-3	2857 170	8-37-136	2859 094-5	23-11-3
2843 182	9-03-5	2852 212	16-02-1	2856 201	11-05-1	2857 171	8-37-316	2859 136-7	23-34-80
2843 208	10-22-11	2852 215	16-02-1	2856 204	11-05-1	2857 172	8-37-275	2859 144-5	23-19-84
2843 210	7-41-4	2852 216	16-02-1	2856 207	11-05-1	2857 178	8-37-504	2859 146	23-19-8
2843 211	9-45-1	2852 227	16-02-1	2856 213	11-05-1	2857 182	1-21-1	2859 162	23-66-65
2843 217	8-28-36	2852 228	16-02-1	2856 224	11-09-3		8-37-14	2859 188-9	23-34-121
2843 218	8-28-15	2852 231	16-02-1	2856 234	11-01-1	2857 241	8-50-82	2859 220	23-54-3
2843 219	8-28-15	2852 237	16-02-1	2856 235	11-01-1	2857 242	8-50-82	2859 253	14-88-36
2843 223	9-64-24	2852 242	16-02-1	2856 236	11-01-1	2857 276	23-58-189	2859 282	23-32-17
2843 277	7-03-1	2852 253	16-02-1	2856 237	11-01-1	2857 374	1-36-1	2859 300-1	23-51-5
2843 279	9-50-3	2852 257	16-02-1	2856 238	11-10-3	2857 465	8-37-90	2859 402-3	23-32-105
2843 299	8-27-335	2852 268	16-02-1	2856 241	11-10-42	2857 473	8-37-275	2859 409	23-32-17
2843 563	9-15-1	2852 286	16-02-1	2856 242	11-05-1	2857 474	8-37-136	2859 428	23-19-8
2843 564	9-15-1	2852 293	16-02-1	2856 284	11-05-1	2857 475	8-37-1	2859 432	23-19-8
2843 586	9-46-4	2852 313	16-02-1	2856 286	11-09-3	2857 476	8-37-372	2859 440	23-36-53
2843 610	9-17-5	2852 333	16-02-1	2856 306-7	12-02-5	2857 477	8-37-372	2859 470-1	23-11-3
2843 635	7-45-31	2852 343	16-02-1	2856 311	12-04-4	2857 515	8-50-349	2859 474-5	23-11-3
2843 661	9-15-2	2852 373	5-57-2	2856 317	12-04-4		8-56-34	2859 500-1	23-11-1
2843 674	9-03-4	2852 374	5-57-2	2856 319	12-04-4	2857 525	8-50-129	2859 548-9	23-36-118
2843 683	9-48-7	2852 470	19-15-111	2856 332	14-86-40	2857 539	23-21-8	2859 572-3	23-36-5
2843 684	9-48-7	2852 491	8-33-5	2856 334	14-86-43	2857 543	1-21-24	2859 592-3	23-34-120
2843 685	9-58-5	2852 508	4-23-39	2856 349	14-88-21	2857 562	8-37-155	2859 594-5	23-34-120
2843 687	24-25-45	2852 513	3-06-8	2856 352	11-05-1	2857 671	8-37-178	2859 626-7	23-34-80
2843 699	9-07-5	2852 516	3-08-1	2856 359	11-09-3	2857 673	23-33-65	2859 628-9	23-11-1
2843 740	14-11-9	2852 517	3-32-9	2856 360	11-09-3	2857 678	1-21-1	2859 632-3	23-34-120
2843 748	14-25-11	2852 523	3-09-3	2856 363	11-10-3	2857 721	8-37-372	2859 636-7	23-11-1
2843 749	14-25-11	2852 559	3-03-29	2856 366	11-09-3	2857 726	23-33-20	2859 640-1	23-34-120
2843 751	14-25-11	2852 574	3-35-14	2856 368	11-09-3	2857 729	8-37-504	2859 644-5	23-11-1
2843 757	8-34-296	2852 575	3-19-1	2856 391	11-10-20	2857 737	19-31-1	2859 648-9	23-34-120
2843 770	14-74-1	2852 728	3-11-2	2856 393	11-10-42	2857 739	1-21-19	2859 656-7	23-11-1
2843 776	14-11-18	2852 729	3-11-1	2856 525	13-66-3	2857 741	8-33-114	2859 660-1	23-34-120
2843 783	14-06-1	2852 731	3-22-24	2856 526	13-66-3	2857 754	8-16-6	2859 664-5	23-11-1
2843 785	14-11-9	2852 732	3-22-25	2856 550	13-64-3	2857 761	8-16-6	2859 668-9	23-34-120
2843 793	14-11-9	2852 735	3-03-1	2856 554-5	13-64-4	2857 837	24-24-124	2859 672-3	23-11-1
2843 794	14-14-1	2852 740	3-19-1	2856 556-7	13-64-4	2857 842	23-54-167	2859 676-7	23-34-120

1969 PASSENGER CAR PARTS CATALOG

PART NUMBER	CODE	PART NUMBER	CODE	PART NUMBER	CODE	PART NUMBER	CODE	PART NUMBER	CODE
2859 678-9	23-11-1	2860 296-7	23-32-17	2861 596	23-31-33	2862 301	23-18-20	2863 264	7-07-1
2859 682-3	23-34-120	2860 324	23-09-63	2861 597	23-63-181	2862 309	23-18-49	2863 266	7-07-1
2859 686-7	23-11-1	2860 332	23-34-123	2861 605	23-32-48	2862 323	23-54-217	2863 267	7-07-1
2859 690-1	23-34-120	2860 334-5	23-34-124	2861 620-1	23-64-306	2862 330	23-39-45	2863 302	14-29-9
2859 694-5	23-11-1	2860 336-7	23-09-67	2861 622-3	23-64-306	2862 426-7	23-08-60	2863 310	14-29-9
2859 698-9	23-34-120	2860 355	23-32-115	2861 626	23-48-188	2862 433	15-11-16	2863 319	14-29-9
2859 700-1	23-11-3	2860 356	23-32-17	2861 634-5	23-64-306	2862 437	23-54-136	2863 349	14-29-6
2859 708-9	23-11-3	2860 360	23-63-181	2861 636-7	23-64-306	2862 441	1-67-3	2863 388	9-59-13
2859 710-1	23-34-120	2860 362	23-63-181	2861 654	23-36-18	2862 449	23-54-72	2863 391	9-48-44
2859 716-7	23-11-3	2860 363	23-63-171	2861 656	23-48-99	2862 453	23-54-214	2863 398	9-48-8
2859 722-3	23-11-3	2860 398	23-42-16	2861 678-9	23-34-234	2862 466	23-48-93	2863 399	9-48-8
2859 730-1	23-11-3	2860 400-1	23-63-33	2861 680	23-64-272	2862 467	23-54-187	2863 402	9-45-1
2859 732-3	23-34-120	2860 403	23-34-120	2861 689	23-31-33	2862 474-5	23-48-24	2863 405	9-45-1
2859 738-9	23-11-3	2860 430-1	23-34-27	2861 696-7	23-40-85	2862 478-9	23-48-203	2863 408	9-48-6
2859 744-5	23-11-3	2860 454	23-66-71	2861 704	23-64-17	2862 488-9	23-48-24	2863 439	9-39-15
2859 752-3	23-11-3	2860 475	23-36-125	2861 706-7	23-63-14	2862 492-3	23-48-203	2863 443	9-64-24
2859 754-5	23-34-120	2860 476-7	23-42-46	2861 708-9	23-63-15	2862 554	23-08-54	2863 445	9-64-24
2859 760-1	23-11-3	2860 482	23-36-133	2861 730	23-32-15	2862 555	23-08-54	2863 477	9-02-50
2859 766	15-03-3	2860 484	23-54-143	2861 744	23-64-286	2862 565	1-67-27	2863 486	9-48-8
2859 769	23-19-8	2860 485	23-54-149	2861 758	23-64-266	2862 585	15-11-17	2863 493	9-03-5
2859 782-3	23-32-105	2860 486	23-36-118	2861 772	23-42-16		23-54-217	2863 494	9-45-2
2859 806-7	23-32-6	2860 487	23-36-54	2861 773	23-54-70	2862 598-9	23-15-3	2863 495	9-45-2
2859 825	23-19-8	2860 488	23-09-46		23-64-11	2862 602	23-10-1	2863 497	9-45-2
2859 828	23-19-8		23-36-54	2861 810-1	23-40-85	2862 606-7	23-15-1	2863 498	9-45-2
2859 844	15-03-3	2860 492-3	23-63-33	2861 822-3	23-34-121	2862 612	23-48-20	2863 520	9-39-5
2859 866	23-66-65	2860 522-3	23-63-14	2861 824-5	23-31-146	2862 614	23-48-24	2863 521	9-39-6
2859 868	15-03-3	2860 524-5	23-63-15	2861 826-7	23-31-146	2862 646	23-54-88	2863 530	9-39-5
2859 880	23-32-46	2860 530-1	23-63-14	2861 828	23-54-103	2862 655	23-54-6	2863 531	9-39-5
2859 886-7	23-36-5	2860 532-3	23-63-15	2861 862-3	23-48-121	2862 744-5	23-18-26	2863 532	9-39-5
2859 888-9	23-36-5	2860 542	23-54-6	2861 898-9	23-64-308	2862 758	23-54-217	2863 534	9-39-6
2859 896	23-34-80	2860 583	13-66-24	2861 900-1	23-64-308	2862 774-5	23-18-26	2863 545	9-48-6
2859 897	23-34-80	2860 620	13-66-24	2861 902-3	23-64-308	2862 791	1-67-25	2863 552	9-48-6
2859 920-1	23-34-80	2860 621	23-42-46	2861 904-5	23-64-308	2862 817	23-54-40	2863 555	7-03-1
2859 922-3	23-34-80	2860 628-9	23-59-56	2861 906-7	23-64-308	2862 818	23-54-27	2863 557	7-03-1
2859 924-5	23-34-80	2860 640	23-34-213	2861 908-9	23-64-308	2862 826-7	23-39-34	2863 564	7-03-1
2859 942-3	23-34-80	2860 644	23-54-28	2861 910-1	23-64-308	2862 828-9	23-39-34	2863 584	10-09-7
2859 951	23-34-80	2860 645	23-54-28	2861 912-3	23-64-308	2862 892-3	23-18-11	2863 585	14-02-18
2859 990	23-34-80	2860 748	23-34-135	2861 924	13-72-10	2862 971	23-14-10	2863 587	14-02-18
2859 994-5	23-64-268	2860 749	23-34-137	2861 926-7	23-66-65	2862 972	23-14-10	2863 595	14-02-85
2860 002-3	23-63-33	2860 755	23-22-57	2861 928-9	23-66-65	2862 972-3	23-14-10	2863 598	14-02-86
2860 004-5	23-63-33	2860 759	23-40-157	2861 930-1	23-66-65	2862 974-5	23-14-10	2863 700	14-26-6
2860 006-7	23-63-33	2860 764-5	23-42-32	2861 932-3	23-66-65	2862 989	15-11-38	2863 703	14-26-6
2860 010	23-64-40	2860 786	14-88-28	2861 934	23-32-51	2863 055	14-01-8	2863 704	14-26-6
2860 022-3	23-63-15	2860 801	23-34-120	2861 936	23-63-133	2863 057	8-28-15	2863 708	21-142-12
2860 024-5	23-63-15	2860 810	23-32-48	2862 025	15-11-5	2863 069	9-45-1	2863 711	14-06-10
2860 026-7	23-63-15	2860 814-5	23-09-67	2862 050	15-19-8	2863 126	9-23-5	2863 713	14-26-6
2860 028-9	23-63-15	2860 818-9	23-34-16	2862 052-3	23-18-48	2863 188	9-03-5	2863 717	14-11-9
2860 036	23-64-44	2860 842-3	23-63-33	2862 077	23-54-1	2863 200	7-02-1	2863 718	14-14-1
2860 040-1	23-63-15	2860 844-5	23-63-37	2862 088	23-54-1	2863 205	7-14-5	2863 719	14-11-9
2860 046-7	23-63-15	2860 854	23-64-12	2862 098	23-54-6	2863 209	7-14-4	2863 722	14-06-1
2860 051	23-41-53	2860 862	1-74-1	2862 100	23-54-1	2863 211	7-14-4	2863 725	14-26-11
2860 086-7	23-64-71	2860 872-3	23-64-48	2862 113	23-54-141	2863 212	7-14-4	2863 728	14-11-9
2860 092-3	23-36-118	2860 956	23-64-42	2862 114	23-54-144	2863 213	7-02-1	2863 730	14-11-9
2860 094	23-32-48	2860 963	13-72-7	2862 115	23-54-4	2863 215	7-02-1	2863 735	9-67-4
2860 098	23-36-125	2860 976	23-34-87	2862 118	23-54-56	2863 216	7-02-1	2863 739	8-27-335
2860 099	23-36-125	2861 004-5	14-88-28	2862 122	23-54-20	2863 221	7-14-4	2863 744	14-11-9
2860 103	23-09-64	2861 044	23-09-47	2862 124	23-54-27	2863 223	7-02-1	2863 751	9-64-24
2860 104	23-64-10	2861 070-1	23-63-127	2862 127	23-54-20	2863 224	7-02-1	2863 843	14-39-45
2860 105	23-64-10	2861 084	23-42-16	2862 129	23-54-5	2863 227	7-02-1	2863 845	14-39-45
2860 132-3	23-36-53	2861 116	23-66-239	2862 130	23-54-27	2863 230	7-14-4	2863 854	9-10-5
2860 136-7	23-63-136	2861 188	23-34-281	2862 131	23-54-5	2863 235	7-14-5	2863 855	9-10-5
2860 139	23-34-280	2861 217	23-66-235	2862 133	23-54-20	2863 241	7-14-4	2863 897	9-48-6
2860 142-3	23-32-49	2861 334-5	23-42-46	2862 167	23-14-18	2863 242	7-14-5	2863 983	10-24-30
2860 150	23-34-16	2861 352-3	23-64-48		23-14-79	2863 243	7-14-5	2864 005	1-06-3
2860 157	23-34-83	2861 408	23-66-235	2862 210-1	23-18-26	2863 245	7-14-5	2864 006	1-47-7
2860 160-1	23-51-5	2861 409	23-66-235	2862 224-5	23-39-34	2863 246	7-14-5	2864 007	23-54-167
2860 166-7	23-34-121	2861 472-3	23-63-33	2862 236-7	23-15-1	2863 247	7-14-5		23-58-532
2860 170-1	23-34-121	2861 474-5	23-63-33	2862 240-1	23-18-25	2863 248	7-14-5	2864 014	23-67-160
2860 190-1	23-34-242	2861 526-7	23-40-85	2862 257	23-54-72	2863 249	7-14-5	2864 016	8-42-1
2860 192-3	23-36-125	2861 556	23-34-88	2862 272	23-54-6	2863 257	7-14-4	2864 029	8-53-33
2860 194	23-34-17	2861 570	23-34-17	2862 274	23-54-31	2863 259	7-07-1	2864 138	8-20-8
2860 207	23-63-14	2861 572-3	23-22-53	2862 275	23-54-21	2863 260	7-07-1	2864 142	8-20-8
2860 260	23-54-150	2861 576-7	23-22-78	2862 280	23-54-143	2863 261	7-07-1	2864 243	8-42-12
2860 275	23-48-90	2861 594	23-63-16	2862 295	23-54-144	2863 263	7-07-1	2864 244	8-42-29

PART NUMBER	CODE	PART NUMBER	CODE	PART NUMBER	CODE	PART NUMBER	CODE	PART NUMBER	CODE
2864 250	8-20-5	2864 740	1-48-942	2875 743	8-27-0	2875 834	8-27-1	2878 418-9	23-63-14
2864 251	8-20-22	2864 785	1-87-2		8-27-1		8-27-352	2878 420-1	23-63-14
2864 300	1-87-58	2864 790	1-87-61	2875 746	8-27-250	2875 8	8-27-1	2878 422-3	23-63-14
2864 315	8-38-23	2864 806	1-48-770	2875 747	8-27-0		8-27-352	2878 424-5	23-63-14
2864 324	1-14-0	2864 821	24-24-5		8-27-1	2875 847	8-27-1	2878 426	23-63-14
2864 325	1-19-1	2864 842	24-24-167	2875 748	8-27-0		8-27-352	2878 428-9	23-63-14
2864 331	1-87-2	2864 858	24-24-164		8-27-1	2875 855	8-27-1	2878 430	23-63-14
2864 332	1-87-2	2864 859	24-24-164	2875 749	8-27-250		8-27-352	2878 432	23-63-14
2864 337	1-87-2	2864 860	24-24-164	2875 750	8-27-1	2875 856	8-27-1	2878 436-7	23-63-20
2864 338	1-87-2	2864 861	24-24-164		8-27-316		8-27-352	2878 438-9	23-63-20
2864 350	8-35-95	2864 862	24-24-164	2875 751	8-27-1	2875 857	8-27-250	2878 528	23-63-14
2864 354	23-67-160	2864 867	24-24-169		8-27-316	2875 861	8-27-138		23-63-20
2864 357	8-53-289	2869 545	24-25-258	2875 754	8-27-308	2875 923	8-27-121	2878 530-1	23-63-14
2864 358	8-53-289	2870 255	24-24-5	2875 757	8-27-250	2875 979	8-27-1	2878 532-3	23-63-20
2864 366	1-48-58	2870 256	24-28-241	2875 758	8-27-1		8-27-352	2878 534-5	23-63-20
2864 368	1-87-58	2870 270	24-28-195		8-27-316	2875 981	8-27-1	2878 542	23-26-80
2864 375	8-37-15	2870 284	24-28-203	2875 759	8-27-1		8-27-352	2878 544	23-26-80
2864 376	8-37-16	2870 309	24-28-300		8-27-316	2875 982	8-27-1	2878 546	23-26-80
2864 392	1-48-374	2875 028	8-27-244	2875 761	8-27-308		8-27-352	2878 548	23-26-80
2864 397	1-87-58	2875 140	8-27-0	2875 763	8-27-250	2875 983	8-27-1	2878 561	23-26-80
2864 400	8-53-294		8-27-1	2875 764	8-27-1		8-27-352	2878 563	23-26-80
2864 401	8-53-294	2875 141	8-27-0		8-27-316	2876 267	23-26-80	2878 565	23-26-80
2864 405	8-38-23		8-27-1	2875 765	8-27-1	2876 268-9	23-63-14	2878 567	23-26-80
2864 411	23-67-194	2875 280	8-28-3		8-27-316	2876 270-1	23-63-20	2878 568-9	23-26-80
2864 412	23-67-194		8-29-0	2875 772	8-27-1	2876 358	23-38-22	2878 570-1	23-26-80
2864 413	23-67-194	2875 281	8-28-3		8-27-316	2876 470	23-26-58	2878 581	23-26-80
2864 414	23-67-194	2875 282	8-28-3	2875 773	8-27-1	2876 564	23-48-188	2878 582	23-26-80
2864 415	23-67-160		8-29-0		8-27-316	2877 069	23-40-82	2878 694	23-26-47
2864 420	8-53-296	2875 400	8-28-74	2875 776	8-27-308	2877 078	23-20-29	2878 704-5	8-11-25
2864 423	8-53-270	2875 419	8-29-29	2875 778	8-27-250	2877 128	23-20-29	2878 729	23-26-43
2864 425	8-53-270	2875 421	8-29-42	2875 779	8-27-1	2877 129	23-20-29	2878 788-9	23-26-23
2864 434	23-67-160	2875 422	8-29-135		8-27-316	2877 139	23-26-43	2878 790-1	23-26-23
2864 437	8-53-270	2875 437	8-28-3	2875 780	8-27-1	2877 157	23-20-29	2878 836	23-26-80
2864 440	1-47-7	2875 439	8-28-3	2875 782	8-27-1	2877 185	23-04-245	2878 838	23-26-80
	1-48-770	2875 442	8-28-3		8-27-316	2877 207	23-20-29	2878 868	23-26-23
	24-24-5		8-29-0	2875 783	8-27-1	2877 232	23-38-3	2878 870	23-26-47
2864 442	1-48-770	2875 453	8-28-3		8-27-316	2877 233	23-38-5	2878 914	23-26-47
2864 448	8-53-303		8-29-0	2875 786	8-27-308	2877 234	23-38-5	2878 920	23-22-90
2864 463	8-35-59	2875 481	8-27-96	2875 789	8-27-250	2877 306-7	23-63-20	2879 112	23-14-16
2864 485	1-06-3	2875 501	8-27-96	2875 790	8-27-1	2877 668	23-22-86	2879 153	23-26-80
2864 489	23-54-167	2875 516	8-27-96		8-27-316	2877 670	23-22-86	2879 154	23-26-80
	23-58-532	2875 551	8-52-76	2875 791	8-27-1	2877 916-7	23-22-53	2879 172	23-26-80
2864 491	23-54-167	2875 560	8-52-0		8-27-316	2877 937	23-34-38	2879 173	23-26-80
	23-58-532		8-52-4	2875 794	8-27-308	2877 953	23-20-29	2879 174	23-26-80
2864 493	8-53-294	2875 604	8-36-14	2875 795	8-27-250	2877 964	23-20-14	2879 191	23-26-80
2864 494	8-53-294	2875 605	8-36-14	2875 796	8-27-1	2877 966	23-20-14	2879 214-5	23-54-143
2864 495	8-53-294	2875 608	8-29-132		8-27-316	2877 974-5	23-20-14	2879 246-7	8-11-12
2864 496	8-53-294	2875 618	8-52-328	2875 797	8-27-1	2877 978-9	23-20-14	2879 256	23-26-47
2864 497	23-54-170	2875 619	8-52-328		8-27-316	2878 008	23-40-82	2879 258	8-11-16
2864 498	24-24-5	2875 709	8-28-3		8-27-316	2878 024	23-40-82	2879 324-5	23-22-90
2864 514	1-87-22	2875 711	8-28-3	2875 809	8-27-308	2878 032	23-40-82	2879 384	23-20-29
2864 516	1-87-16	2875 712	8-28-3	2875 813	8-27-1	2878 062-3	23-22-55	2879 393	23-26-23
2864 518	1-48-70		8-29-208		8-27-316	2878 157	23-26-80	2879 508	23-20-14
2864 519	1-87-22	2875 713	8-28-3	2875 814	8-27-1	2878 238	23-26-19	2879 509	23-20-14
2864 520	1-48-70		8-29-208		8-27-316	2878 242	23-26-19	2879 510-1	23-20-14
2864 521	23-33-135	2875 715	8-27-0	2875 818	8-27-308	2878 257	23-26-23	2879 512-3	23-20-14
2864 522	1-48-70		8-27-1	2875 821	8-27-250	2878 258-9	23-26-23	2879 524	23-26-80
2864 523	1-48-70	2875 718	8-27-0	2875 822	8-27-1	2878 260-1	23-26-23	2879 587	23-20-29
2864 524	23-33-135		8-27-1		8-27-316	2878 262	23-26-47	2879 588	23-20-29
2864 525	1-87-22	2875 719	8-36-14	2875 823	8-27-1	2878 274-5	23-26-23	2879 589	23-20-29
2864 526	23-33-135	2875 720	8-28-3		8-27-316	2878 278-9	23-26-47	2880 071	19-14-89
2864 534	1-87-22		8-29-208	2875 825	8-27-308	2878 300	23-26-80	2880 076	19-46-8
2864 535	23-33-135	2875 724	8-28-3	2875 826	8-27-1	2878 310	23-26-23	2880 169	19-15-4
2864 537	1-48-70		8-29-208		8-27-352	2878 312-3	23-26-23	2880 170	19-15-4
2864 538	24-24-140	2875 728	8-27-308	2875 827	8-27-1	2878 318	23-26-80	2880 172	19-15-4
2864 539	23-33-135	2875 730	8-27-250		8-27-352	2878 320-1	23-26-23	2880 173	19-15-4
2864 591	1-48-770	2875 731	8-27-0	2875 828	8-27-308	2878 322	23-26-47	2880 196	19-15-4
	24-24-5		8-27-1	2875 829	8-27-250	2878 324-5	23-26-23	2880 257	19-14-48
2864 592	1-48-867	2875 732	8-27-0	2875 830	8-27-1	2878 326-7	23-26-23	2880 258	19-14-92
2864 600	24-24-170		8-27-1		8-27-352	2878 350	23-26-23	2880 260	19-14-84
2864 628	24-01-45	2875 735	8-27-308	2875 831	8-27-1	2878 368-9	23-26-23	2880 261	19-14-84
2864 699	1-87-2	2875 738	8-27-250		8-27-352	2878 370-1	23-26-23	2880 262	19-14-85
2864 714	23-33-42	2875 742	8-27-0	2875 832	8-27-308	2878 395	23-26-80	2880 263	19-14-85
2864 739	23-33-12		8-27-1	2875 833	8-27-352	2878 397	23-26-80	2880 266	19-15-4

1969 PASSENGER CAR PARTS CATALOG

PART NUMBER	CODE	PART NUMBER	CODE	PART NUMBER	CODE	PART NUMBER	CODE	PART NUMBER	CODE
2880 273	19-14-97	2881 003	3-02-1	2881 773	22-01-42	2883 866	11-09-3	2884 265	1-48-10
2880 276	19-14-21	2881 010	3-32-1	2881 774	22-01-42	2883 873	11-10-3		24-24-167
2880 280	19-46-8	2881 011	3-32-1	2881 775	22-01-42	2883 900	11-05-1	2884 267	1-87-30
2880 282	19-14-28	2881 041	3-22-45	2881 777	22-01-43	2883 903	11-05-1		23-33-43
2880 284	21-30-43	2881 055	3-02-1	2881 779	22-01-42	2883 906	11-05-1	2884 277	24-24-161
2880 301	19-14-21	2881 077	3-02-1	2881 782	22-01-42	2883 908	11-08-5	2884 291	1-48-940
2880 306	21-30-43	2881 085	3-22-28	2881 785	22-01-43	2883 910-1	11-01-1	2884 293	1-48-70
2880 325	19-14-51	2881 086	3-22-28	2881 787	22-01-42	2883 912	11-01-1	2884 300	1-48-770
2880 335	19-14-91	2881 087	3-22-28	2881 796	22-01-42	2883 914	11-10-3	2884 303	1-87-2
2880 346	19-14-89	2881 088	3-22-28	2881 800	5-100-2	2883 916	11-08-24	2884 304	1-87-2
2880 347	19-14-89	2881 089	3-22-28	2881 801	5-100-2	2883 919	11-08-24	2884 317	1-87-180
2880 361	19-14-75	2881 096	3-04-6	2881 820	22-01-5	2883 923	11-01-1	2884 319	1-48-70
2880 362	19-14-75	2881 098	3-03-3	2881 824	22-01-42	2883 929	5-56-2	2884 320	24-24-140
2880 364	19-14-82	2881 178	3-03-1	2881 870	5-39-3		14-90-1	2884 326	1-48-945
2880 366	8-50-84	2881 179	3-03-1	2881 903	5-39-29	2883 961	14-88-42	2884 332	1-48-4
2880 367	19-14-108	2881 180	3-03-1	2881 904	5-39-24	2883 962	14-88-42	2884 333	24-24-159
2880 369	19-46-50	2881 181	3-22-28	2881 905	5-39-20	2883 977	19-27-33	2884 338	1-48-770
2880 371	19-14-92	2881 182	3-22-28	2881 916	5-100-20	2883 996	19-27-33	2884 341	24-24-161
2880 396	19-46-60	2881 183	3-22-28	2881 938	13-10-1	2884 051	1-87-1	2884 344	1-48-4
2880 409	5-52-10	2881 187	3-02-20	2881 984	5-58-12	2884 055	1-87-1	2884 346	1-48-33
2880 411	5-52-10	2881 304	3-03-1	2883 056	5-100-2	2884 056	1-87-1	2884 349	24-24-161
2880 417	14-86-1	2881 310	3-02-1	2883 058	5-39-3	2884 058	1-87-1	2884 354	24-24-161
2880 421	14-88-21	2881 311	3-32-1	2883 083	5-111-17	2884 064	1-87-1	2884 355	24-24-140
2880 426	14-86-1	2881 314	3-33-10	2883 089	5-39-3	2884 074	24-28-39	2884 357	24-01-45
2880 429	14-88-21		5-13-7	2883 091	5-100-2	2884 085	1-48-70	2884 359	1-48-4
2880 430	14-86-38	2881 342	3-03-2	2883 204	19-14-23	2884 094	1-48-770	2884 360	1-48-4
2880 434	14-86-1	2881 343	3-03-2	2883 210	19-14-23	2884 099	1-87-2	2884 361	1-48-940
2880 435	14-86-1	2881 375	3-03-1	2883 245	19-46-55	2884 107	1-48-4	2884 368	1-48-4
2880 454	14-86-40	2881 378	3-03-1	2883 300	8-33-5	2884 108	24-24-39		24-24-159
2880 459	14-86-1	2881 379	3-03-1	2883 301	21-30-23	2884 110	1-87-22	2884 372	24-24-161
2880 474	14-88-21	2881 381	3-03-1	2883 306	19-14-28		23-33-135	2884 373	24-24-161
2880 482	5-58-6	2881 382	3-03-1	2883 357	19-46-12	2884 112	23-33-135	2884 377	1-48-12
2880 485	5-107-35	2881 466	3-19-1	2883 383	8-33-4	2884 114	23-33-135	2884 378	1-48-12
2880 486	5-107-34	2881 492	3-03-1	2883 401	19-46-33	2884 115	1-87-22	2884 379	1-48-12
2880 499	5-107-36	2881 494	3-03-1	2883 402	21-30-6		23-33-135	2884 380	1-48-12
2880 501	5-13-1	2881 497	3-19-1	2883 435	21-30-2	2884 118	24-24-140	2884 383	24-24-164
2880 502-3	5-13-1	2881 498	3-19-1	2883 438	21-30-2	2884 119	24-24-156	2884 384	24-24-164
2880 525	5-20-20	2881 499	3-20-1	2883 441	21-30-2	2884 121	24-24-164	2884 385	24-24-164
2880 529	5-03-6	2881 503	5-44-3	2883 454	5-27-1	2884 122	24-24-164	2884 386	24-24-164
2880 530	5-03-6	2881 511	5-39-20	2883 457	6-38-1	2884 123	24-24-164	2884 387	24-24-164
2880 532	5-13-1	2881 512	5-39-24	2883 460	5-31-15	2884 124	24-24-164	2884 390	24-24-164
2880 533	5-13-1	2881 513	5-39-29	2883 461	5-27-2	2884 125	24-24-164	2884 391	24-24-164
2880 534	5-13-1	2881 518	5-47-13	2883 462	6-38-3	2884 153	1-48-70	2884 392	24-24-164
2880 535	5-13-1	2881 519	5-44-11	2883 463	5-27-6	2884 167	1-48-12	2884 393	24-24-164
2880 547	5-03-6	2881 572	5-31-15	2883 464	6-35-3	2884 169	1-48-12	2884 394	24-24-164
2880 555	5-20-20	2881 591	5-05-10	2883 467	6-35-15	2884 201	1-48-770	2884 398	23-67-25
2880 568-9	5-13-1	2881 594-5	5-05-5	2883 468	6-35-1	2884 205	1-48-12	2884 399	23-67-25
2880 570-1	5-13-1	2881 596	5-05-29	2883 471	6-50-1		24-24-177	2884 404	23-33-42
2880 582-3	5-13-1	2881 597	5-05-2	2883 478	6-24-1	2884 209	24-24-156	2884 408	23-33-42
2880 593	5-20-20	2881 598	5-05-35	2883 479	6-38-7	2884 214	24-24-167	2884 413	1-48-942
2880 595	5-03-6	2881 600	5-64-1	2883 481	6-52-8	2884 215	24-24-164	2884 418	1-48-942
2880 602-3	5-13-1	2881 604	5-69-1	2883 482	5-27-21	2884 216	24-24-164		24-24-156
2880 626-7	5-13-1	2881 605	5-64-1	2883 508	4-25-9	2884 217	24-24-164	2884 424	1-87-22
2880 632	5-03-6	2881 606	5-64-1	2883 524	4-08-1	2884 218	24-24-164		23-33-135
2880 646-7	5-13-1	2881 618	5-69-1	2883 541	19-46-12	2884 219	24-24-164	2884 425	1-87-22
2880 648-9	5-13-1	2881 619	5-67-1	2883 543	19-14-4	2884 221	1-48-70	2884 426	1-87-21
2880 650	5-27-1	2881 620-1	5-64-1	2883 563	16-02-1	2884 231	24-24-155	2884 426-7	23-33-42
2880 651	5-27-1	2881 624	5-69-1	2883 569	16-02-1	2884 232	24-24-140	2884 430	1-48-941
2880 684	5-31-15	2881 628	5-64-1	2883 604	16-02-1	2884 239	24-24-156	2884 438	1-87-2
2880 705	6-46-1	2881 629	5-64-1	2883 608	16-02-1	2884 240	24-24-170	2884 440	23-33-65
2880 725	21-30-22	2881 634	5-69-1	2883 633	16-02-1	2884 242	1-48-770	2884 441	23-33-65
2880 737	19-15-43	2881 660-1	4-26-1	2883 825	5-107-34	2884 243	1-48-70	2884 444-5	23-33-42
2880 746	19-14-49	2881 675	5-25-9	2883 826	11-09-37	2884 251	24-24-164	2884 449	24-24-167
2880 784	23-34-15	2881 676	5-03-23	2883 829	11-09-37	2884 252	24-24-164	2884 457	24-24-164
2880 829	8-50-82	2881 686-7	5-20-1	2883 832	11-09-37	2884 253	24-24-164	2884 458	24-24-164
2880 830	19-14-107	2881 750	22-01-42	2883 835	11-09-37	2884 254	24-24-164	2884 459	24-24-164
2880 831	19-14-4	2881 751	22-01-43	2883 838	11-09-37	2884 255	24-24-164	2884 460	24-24-164
2880 841	14-86-55	2881 752	22-01-42	2883 842	11-10-3	2884 258	1-48-770	2884 461	24-24-164
2880 919	19-46-16	2881 753	22-01-42	2883 845	11-10-3		24-24-5	2884 468	24-24-164
2880 920	19-46-16	2881 758	22-01-42	2883 852	11-05-1	2884 259	24-24-177	2884 469	24-24-150
2880 970	8-33-6	2881 759	22-01-42	2883 855	11-05-1	2884 260	24-24-164	2884 471	1-87-22
2880 994	19-46-8	2881 762	22-01-51	2883 857	11-09-3	2884 261	24-24-164	2884 481	1-87-180
2880 997	19-46-8	2881 764	22-01-42	2883 860	11-09-3	2884 262	1-48-12	2884 484	23-33-139
2881 002	3-03-1	2881 770	22-01-42	2883 863	11-09-3	2884 263	24-24-164	2884 488	23-33-135

PART NUMBER CODE		PART NUMBER CODE		PART NUMBER CODE		PART NUMBER CODE		PART NUMBER CODE	
2884 489	24-24-170	2888 643	23-45-38	2889 848-9	23-67-86	2892 350	21-139-33	2893 250-1	23-34-27
2884 496	1-87-51	2888 646	23-26-74	2889 854	23-67-79	2892 351	21-139-78	2893 252-3	23-34-27
2884 497	1-87-51	2888 656-7	23-45-57	2889 855	23-67-79	2892 352	21-139-78	2893 260-1	23-63-100
2884 531	1-48-33	2888 659	23-45-57	2889 859	23-67-25	2892 353	21-139-76	2893 266-7	23-64-311
2884 533	24-01-45	2888 667	23-45-194	2889 860-1	23-67-5	2892 355	21-139-4	2893 268-9	23-64-311
2884 557	1-48-7	2888 671	23-45-194	2889 872	23-67-262	2892 357	21-139-4	2893 280-1	23-40-85
2884 562	1-48-7	2888 691	23-45-204	2889 876	23-67-29	2892 405	21-119-15	2893 282-3	23-40-85
2884 568	1-48-941	2888 738-9	23-45-55	2889 885	23-67-267	2892 407	21-119-15	2893 286-7	23-40-85
2884 573	1-48-33	2888 739	23-45-55	2889 888	23-67-246	2892 408	21-119-15	2893 288-9	23-40-85
2884 575	24-24-167	2888 745	23-47-7	2889 917	1-88-170	2892 420	21-133-15	2893 292-3	23-59-56
2884 576	24-24-140	2888 759	23-45-39	2889 918	1-88-120	2892 422	21-133-7	2893 378-9	23-34-27
2884 591	1-87-1	2888 762	23-45-39	2889 919	1-88-159	2892 424	21-118-40	2893 380-1	23-34-27
2884 592	1-87-1	2888 863	11-09-3	2889 924	1-88-6	2892 441	21-133-7	2893 433	23-42-16
2884 593	1-87-1	2889 017	8-37-372	2889 925	1-88-6	2892 471	9-71-5	2893 434-5	23-64-71
2884 595	1-48-555	2889 018	8-37-372	2889 926	1-88-6	2892 480	6-09-1	2893 444-5	23-63-33
2884 596	1-48-555	2889 028-9	23-33-86	2889 927	1-88-6	2892 497	21-139-4	2893 450-1	23-63-126
2884 600	1-87-1	2889 030	23-33-86	2889 932	1-88-12	2892 498	21-139-4	2893 452-3	23-63-126
2884 602	1-87-1	2889 037	24-24-124	2889 934	1-88-159	2892 499	21-139-4	2893 454-5	23-63-15
2884 603	1-87-1	2889 044	23-67-169	2889 935	1-88-107	2892 551	21-133-36	2893 456-7	23-63-15
2884 605	1-87-1	2889 053	8-31-10	2889 940	23-67-5	2892 553	21-118-58	2893 458-9	23-63-15
2884 606	1-87-1	2889 058	14-02-33	2889 941	23-67-5	2892 554	21-133-15	2893 460-1	23-63-15
2884 607	1-87-1	2889 059	14-02-33	2889 943	23-67-12	2892 575	21-14-15	2893 464-5	23-63-33
2884 634	1-87-1	2889 084	8-12-2	2889 951	23-67-5	2892 624	6-09-1	2893 468-9	23-63-33
2884 635	1-87-1	2889 093	8-50-129	2889 962	23-67-25	2892 655	21-05-1	2893 470-1	23-63-33
2884 636	1-87-1	2889 095	8-50-129	2889 964	23-67-25	2892 656	21-134-38	2893 508-9	23-64-308
2884 638	23-33-135	2889 150	8-37-162	2889 965	8-34-120	2892 679	21-118-57	2893 510-1	23-64-308
2884 640	1-87-22	2889 151	8-37-504	2889 966	23-67-76	2892 728	21-136-65	2893 520-1	23-64-308
2884 642	23-33-135	2889 162	8-50-129	2890 130	7-17-17	2892 815	21-119-15	2893 522-3	23-64-308
2884 644	23-33-135	2889 180	8-37-505	2891 078	19-58-7	2892 846	21-139-68	2893 528	23-09-52
2884 667	23-33-45	2889 231	19-31-7	2891 122	19-54-2	2892 849	21-03-1	2893 530-1	23-64-308
2884 669	1-48-945	2889 232	19-31-7	2891 123	19-54-2	2892 850	21-03-1	2893 544-5	23-63-127
2884 694	23-33-135	2889 300	8-53-327	2891 124	19-54-31	2892 851	21-03-1	2893 548-9	23-64-306
2884 734	24-24-164	2889 376	1-87-404	2891 125	19-54-31	2892 853	21-03-1	2893 550-1	23-64-306
2884 735	24-24-164	2889 390	24-24-124	2891 156	19-54-180	2892 854	21-03-1	2893 554	23-64-242
2884 737	24-24-164	2889 393	23-54-178	2891 162	19-54-196	2892 855	21-03-1	2893 566-7	23-64-240
2884 738	24-24-164	2889 394	8-37-545	2891 165	19-54-213	2892 890	21-42-23	2893 608-9	23-63-127
2884 739	24-24-164	2889 419	8-15-27	2891 166	19-54-28	2892 891	21-42-23	2893 610-1	23-63-127
2884 740	24-24-164	2889 426	8-37-372	2891 168	19-54-25	2892 901	21-139-140	2893 612-3	23-34-120
2884 741	24-24-164	2889 427	8-16-6	2891 176	19-54-258	2892 909	21-16-3	2893 624-5	23-34-120
2884 742	1-48-4	2889 428	8-16-6	2891 196	19-54-2	2892 911	6-10-10	2893 642-3	23-34-120
2884 745	1-48-12	2889 432	23-67-169	2892 076	21-02-1	2892 912	21-03-6	2893 738	23-42-23
2884 746	1-48-12	2889 433	23-54-178		21-142-18	2892 913	21-03-6	2893 739	23-42-23
2884 747	1-48-12	2889 434	8-16-4	2892 077	21-02-1	2892 914	8-52-39	2893 740	23-42-23
2884 765	1-87-1	2889 435	8-16-4		21-142-18	2892 915	8-52-39	2893 742-3	23-63-33
2884 766	1-87-1	2889 444	23-06-17	2892 078	21-02-1	2892 960	21-04-1	2893 746-7	23-63-33
2884 844	1-87-1	2889 452	23-06-21		21-142-18	2892 961	21-04-1	2893 754-5	23-63-33
2884 847	1-87-1	2889 457	23-06-22	2892 079	21-02-1	2892 962	21-04-1	2893 792-3	23-63-15
2884 848	1-87-1	2889 467	23-67-166		21-142-18	2892 979	21-138-15	2893 794-5	23-63-15
2884 863	1-87-19	2889 501	23-33-92	2892 080	21-02-1	2893 064-5	23-34-80	2893 796-7	23-63-15
2884 901	1-87-22	2889 542	8-16-6		21-142-18	2893 068-9	23-34-84	2893 798-9	23-63-15
2884 903	1-87-22	2889 543	8-16-6	2892 086	21-02-1	2893 086	23-31-33	2893 800-1	23-63-94
2884 905	1-87-22	2889 561	1-47-10		21-142-18	2893 089	23-31-33	2893 802-3	23-63-33
2884 907	1-87-22	2889 564	8-15-53	2892 087	21-02-1	2893 090	23-31-33	2893 806-7	23-63-33
2884 909	1-87-22	2889 565	8-40-10		21-142-18	2893 106-7	23-66-71	2893 808-9	23-63-33
2884 911	1-87-22	2889 580	14-02-69	2892 089	21-02-1	2893 120-1	23-63-55	2893 810-1	23-63-33
	8-53-297	2889 588	8-37-170		21-139-154	2893 126-7	23-63-55	2893 812-3	23-63-33
2884 913	1-87-22	2889 597	8-16-6	2892 090	21-02-1	2893 130	23-66-135	2893 842-3	23-64-308
	8-53-297	2889 620	1-21-1		21-139-154	2893 131	23-66-135	2893 844-5	23-64-308
2887 179	23-26-84	2889 625	23-33-10	2892 091	21-02-1	2893 138	23-66-135	2893 846-7	23-64-308
2888 364-5	23-26-45	2889 638	23-06-10		21-139-154	2893 139	23-66-135	2893 848-9	23-64-308
2888 386-7	23-45-52	2889 650	8-16-6	2892 092	21-02-1	2893 146	23-22-145	2893 867	23-54-150
2888 392-3	23-45-52	2889 693	8-37-162		21-139-154	2893 176	23-15-13	2893 871	23-63-171
2888 497	23-45-63	2889 694	8-37-178	2892 093	21-02-1	2893 178	23-15-13	2893 872	23-63-181
2888 498-9	23-26-45	2889 766	23-06-15		21-139-154	2893 188-9	23-51-5	2893 873	23-63-181
2888 536	1-87-21	2889 773	23-06-4	2892 094	21-02-1	2893 198-9	23-34-235	2893 880	23-34-17
2888 538	1-87-21	2889 777	1-47-10		21-139-154	2893 200-1	23-34-235	2893 906	23-64-28
2888 539	23-45-57	2889 783	21-84-1	2892 163	21-03-6	2893 202-3	23-34-235	2893 912-3	23-64-308
2888 562-3	23-45-55	2889 785	21-84-1	2892 164	21-03-30	2893 216-7	23-34-242	2893 914-5	23-64-308
2888 565	23-45-57	2889 800	23-67-267	2892 233	21-136-47	2893 218-9	23-34-242	2893 916-7	23-64-308
2888 566	23-45-57	2889 803	23-67-240	2892 248	21-138-15	2893 229	23-34-301	2893 918-9	23-64-308
2888 567	23-45-57	2889 809	23-67-255	2892 256	21-09-29	2893 232-3	23-36-53	2893 920-1	23-64-308
2888 568	23-45-39	2889 824	1-82-2	2892 257	6-09-1	2893 234-5	23-36-53	2893 922-3	23-64-308
2888 582-3	23-45-55	2889 826	1-88-0	2892 263	6-22-15	2893 236-7	23-36-53	2893 932-3	23-66-65
2888 642	23-45-38	2889 843	23-67-247	2892 349	21-139-30	2893 244-5	23-51-41	2893 934-5	23-66-65

1969 PASSENGER CAR PARTS CATALOG

PART NUMBER	CODE	PART NUMBER	CODE	PART NUMBER	CODE	PART NUMBER	CODE	PART NUMBER	CODE
2893 939	23-08-75	2894 558-9	8-55-23	2895 128-9	23-36-118	2898 162-3	8-34-40	2898 762	15-09-4
2893 940	23-15-13	2894 560-1	8-55-23	2895 130-1	23-36-118	2898 164-5	8-34-40	2898 764	7-33-1
2893 958	23-15-13	2894 570-1	23-64-308	2895 134	23-42-32	2898 166-7	8-34-40	2898 765	15-11-58
2893 976-7	23-36-53	2894 572-3	23-64-308	2895 136	23-09-65	2898 168-9	8-34-40	2898 781	12-02-10
2893 978-9	23-36-53	2894 576-7	23-36-123	2895 137	23-64-10	2898 187	7-17-1	2898 792-3	7-16-55
2893 982-3	23-66-65	2894 580	23-39-19	2895 138	23-64-10	2898 191	7-26-15	2898 794-5	7-16-55
2893 986-7	23-34-234	2894 582-3	23-32-49	2895 142-3	23-42-46	2898 192	15-11-46	2898 796	7-16-55
2893 990	23-34-5	2894 584-5	23-32-48	2895 183	23-64-11	2898 206	15-03-5	2898 798	12-06-3
2893 991	23-34-5	2894 586	23-36-134			2898 207	15-03-60	2898 804-5	7-16-25
2893 992	23-34-5	2894 599	23-64-12	2895 193	23-36-53	2898 238	7-16-22	2898 807	10-23-7
2894 000-1	23-51-48	2894 600-1	23-64-12	2895 195	23-32-107	2898 239	7-17-1	2898 808-9	7-16-11
2894 002	23-34-346	2894 614-5	23-64-12	2895 196	23-32-51	2898 240	7-16-63	2898 813	15-11-12
2894 028-9	23-36-66	2894 624-5	23-64-308	2895 198-9	23-40-85	2898 242	7-16-11	2898 816-7	12-01-25
2894 030	23-36-125	2894 650	23-64-12	2895 203	23-48-121	2898 252-3	8-34-40	2898 822-3	12-01-105
2894 056-7	23-36-125	2894 654-5	23-63-15	2895 204	23-48-121	2898 298	7-16-36	2898 866	23-54-11
2894 065	23-34-253	2894 672-3	23-48-99	2895 218	23-64-266	2898 302	7-16-61	2898 872	7-16-11
2894 067	23-34-253	2894 674-5	23-63-127	2895 228	23-34-213	2898 303	7-16-61	2898 873	8-34-296
2894 069	23-34-253	2894 676-7	23-63-127	2895 230	23-34-234	2898 314	15-03-68	2898 882	8-34-31
2894 084-5	23-63-136	2894 678-9	23-63-127	2895 233	23-64-28	2898 334	7-17-1	2898 886	7-17-1
2894 086-7	23-63-55	2894 684-5	23-63-127	2895 238-9	23-42-32	2898 335	7-16-61	2898 887	7-17-21
2894 102	23-42-46	2894 730-1	23-34-244	2895 241	23-31-137	2898 362	7-17-1	2898 909	7-26-10
2894 120-1	23-40-85	2894 734	23-22-78	2895 244	23-34-245	2898 363	7-17-1		12-02-10
2894 122-3	23-59-56	2894 736-7	23-22-53	2895 248-9	23-63-33	2898 364	7-16-22		23-31-146
2894 156-7	23-34-120	2894 740-1	23-34-89	2895 250	23-42-16	2898 370	15-11-46		23-54-141
2894 174	23-64-14	2894 772-3	23-34-89	2895 256-7	23-42-46	2898 371	7-26-15	2898 916-7	8-34-40
2894 180	23-64-276	2894 775	23-36-125	2895 262	23-32-80	2898 390-1	12-01-105	2898 919	8-34-40
2894 184-5	23-32-17	2894 777	23-34-29	2895 263	23-42-55	2898 392	12-01-107	2898 927	7-16-36
2894 193	23-36-125	2894 782	23-11-12	2895 264	23-63-37	2898 396	12-01-107	2898 929	7-16-61
2894 204-5	23-64-308	2894 786	23-39-19	2895 268-9	23-63-55	2898 444-5	7-16-36		8-34-54
2894 206-7	23-64-308	2894 798-9	23-11-12	2895 270-1	23-63-55	2898 446	7-16-36	2898 930	8-34-54
2894 210-1	23-64-308	2894 800	23-42-16	2895 272-3	23-63-55	2898 448	15-03-5	2898 931	7-16-61
2894 228-9	23-36-118	2894 802	23-42-16	2895 286-7	23-64-308		15-03-76		8-34-54
2894 230-1	23-36-118	2894 804	23-09-47	2895 288-9	23-64-308	2898 449	15-03-76	2898 946-7	8-34-40
2894 232-3	23-36-118	2894 850-1	23-34-234	2895 294-5	23-64-308	2898 451	15-03-5	2898 952	7-16-61
2894 242	23-34-16	2894 859	23-36-125	2895 296-7	23-64-308	2898 452-3	15-03-5	2898 956-7	12-04-4
2894 254-5	23-34-242	2894 882	23-40-150	2895 298-9	23-64-308	2898 458	15-03-67	2898 970-1	12-02-10
2894 316-7	23-34-16	2894 884-5	23-40-170	2895 300-1	23-64-308	2898 459	7-16-22	2898 972-3	12-02-10
2894 318	23-34-116	2894 888	23-40-187	2895 329	15-03-5	2898 464-5	8-34-362	2898 990	15-03-67
2894 340	23-64-197	2894 890	23-40-155		23-61-42	2898 467	7-17-1	2898 994	15-03-60
2894 356-7	23-63-33	2894 891	23-40-187	2895 333	23-66-78	2898 468	7-16-11	2898 995	15-11-46
2894 366	23-09-58	2894 892	23-40-150	2895 334	23-66-75	2898 472	8-34-40	2898 998	7-26-37
2894 368-9	23-15-13	2894 893	23-40-180	2895 348	23-32-48	2898 478-9	8-34-362	2899 016	9-03-28
2894 388	23-34-82	2894 894	23-40-180	2895 355	12-06-3	2898 499	7-16-36	2899 035	6-10-2
2894 398	23-34-17	2894 895	23-40-180	2895 358	23-39-19	2898 500	7-16-47	2899 036	9-39-6
2894 432	23-09-64	2894 896-7	23-64-71	2895 359	23-54-149	2898 501	7-17-13	2899 037	9-39-6
2894 434-5	23-34-242	2894 899	23-40-180	2895 362-3	23-64-242	2898 512-3	8-34-362	2899 038	9-39-6
2894 450	23-32-24	2894 902	23-36-18	2895 374-5	23-64-308	2898 514-5	8-34-40	2899 039	9-39-6
2894 452-3	23-32-93	2894 903	14-87-2	2895 376-7	23-64-308	2898 522-3	8-34-41	2899 045	9-03-28
2894 456	23-32-17	2894 906-7	23-64-71	2895 378-9	23-64-308	2898 532	15-11-46	2899 046	10-03-7
2894 458-9	23-34-17	2894 914-5	23-63-126	2895 380-1	23-64-308	2898 538-9	12-02-6	2899 052	9-03-28
2894 464-5	23-51-41	2894 920-1	23-26-58	2895 392-3	23-09-51	2898 556-7	12-04-25	2899 108	8-28-15
2894 472-3	23-32-112	2894 922-3	23-63-33	2895 403	23-34-213	2898 560-1	8-34-1	2899 110	8-28-15
2894 475	23-64-40	2894 924-5	23-63-33	2895 409	23-42-16	2898 562-3	8-34-1	2899 144	9-15-1
2894 476-7	23-32-112	2894 926-7	23-63-33	2895 411	23-23-11	2898 568-9	8-34-176	2899 184	14-02-34
2894 478-9	23-64-213	2894 928-9	23-63-33	2895 413	23-23-11	2898 588	15-09-4	2899 206	9-15-1
2894 480-1	8-55-23	2894 934-5	23-36-125	2895 476-7	23-63-55	2898 597	7-26-37	2899 246	10-03-4
2894 484-5	8-55-23	2894 936-7	23-36-125	2895 810-1	23-32-6	2898 606-7	15-03-68	2899 250	9-03-29
2894 486	23-34-280	2894 938-9	23-36-125	2898 110	7-16-11	2898 618-9	7-16-11	2899 268	7-03-1
2894 488	23-34-280	2894 942-3	23-34-246	2898 114	7-16-11	2898 627	8-50-305	2899 287	8-28-36
2894 490-1	13-66-44	2894 944-5	23-64-12	2898 116	7-16-11	2898 638	7-16-11	2899 289	8-28-51
	23-34-191	2894 970-1	23-34-89	2898 118	7-16-11	2898 642	7-16-36	2899 295	14-02-18
2894 492-3	23-34-22	2894 983	23-49-9	2898 120	7-16-11	2898 644	7-16-61	2899 299	9-50-6
2894 494	23-36-125	2894 992-3	23-64-308	2898 124	7-16-11	2898 645	7-16-61	2899 316	14-14-26
2894 495	23-34-17	2894 994	23-26-80	2898 128	7-17-13	2898 659	7-16-11	2899 321	21-142-12
2894 502	23-04-241	2894 996	23-26-80	2898 130	7-17-13	2898 676	7-16-11	2899 325	21-142-12
2894 504	23-04-241	2894 998	23-26-80	2898 142-3	8-34-40	2898 678	7-16-36	2899 329	14-15-6
2894 506	23-04-241	2895 034-5	23-64-269	2898 144-5	8-34-40	2898 693	7-16-63	2899 330	14-11-9
2894 508-9	23-26-41	2895 036	23-09-52	2898 146-7	8-34-40	2898 730	7-16-36	2899 332	14-11-9
2894 517	23-32-24	2895 039	23-36-124	2898 148-9	8-34-40	2898 732-3	7-26-38	2899 334	14-26-11
2894 527	23-42-55	2895 090-1	23-63-15	2898 150-1	8-34-40	2898 734	7-16-22	2899 335	14-25-11
2894 536-7	23-63-55	2895 092	23-64-197	2898 152-3	8-34-40	2898 750	7-16-63	2899 336	14-25-11
2894 538-9	23-63-37	2895 096-7	23-34-102	2898 154-5	8-34-40	2898 752-3	12-02-10	2899 337	14-25-11
2894 542	23-11-17	2895 103	23-40-192	2898 156-7	8-34-40	2898 754	12-02-10	2899 338	14-25-11
2894 556-7	8-55-23	2895 126	23-64-71	2898 160-1	8-34-40	2898 761	15-11-58	2899 339	14-25-11

PART NUMBER	CODE	PART NUMBER	CODE	PART NUMBER	CODE	PART NUMBER	CODE	PART NUMBER	CODE
2899 342	14-01-2	2900 088-9	23-59-35	2900 508-9	23-34-229	2900 842	23-32-24	2901 394-5	23-34-242
2899 351	14-11-29	2900 104	23-34-167	2900 517	23-34-281	2900 843	23-34-167	2901 400-1	23-34-242
2899 352	14-01-23	2900 107	23-19-74	2900 532-3	23-34-242	2900 844	23-32-17	2901 404-5	23-34-234
2899 353	14-11-48	2900 109	23-34-166	2900 538-9	23-34-242	2900 846	23-32-25	2901 406-7	23-34-234
2899 354	14-07-15	2900 116	23-34-301	2900 550-1	23-36-53	2900 854	23-34-179	2901 408-9	23-40-96
2899 356	14-11-9	2900 120-1	23-40-85	2900 552-3	23-32-49	2900 855	23-34-166	2901 410-1	23-40-96
2899 358	14-11-9	2900 124-5	23-59-56	2900 574-5	23-64-213	2900 856-7	23-32-25	2901 412-3	23-34-22
2899 360	14-11-3	2900 126	23-64-66	2900 576-7	23-64-68	2900 860-1	23-34-242	2901 418-9	23-64-213
2899 361	14-11-3	2900 127	23-64-66	2900 598	23-34-281	2900 864-5	23-64-66	2901 420-1	23-64-213
2899 362	14-02-85	2900 128	23-64-314	2900 599	23-34-281	2900 875	8-55-23	2901 426-7	23-64-66
2899 367	14-26-6	2900 134-5	23-19-177	2900 600	23-34-281	2900 876	8-55-23	2901 428-9	23-59-56
2899 370	21-142-12	2900 146	23-64-66	2900 602-3	23-64-311	2900 880-1	8-55-23	2901 430	23-34-281
2899 371	14-06-1	2900 148-9	23-40-92	2900 604-5	23-64-311	2900 882-3	23-34-176	2901 550-1	23-34-229
2899 374	14-02-18	2900 156-7	23-40-92	2900 614-5	23-34-235	2900 884	23-34-191	2901 558-9	23-59-37
2899 376	14-02-18	2900 158-9	23-40-92	2900 616-7	23-34-235	2900 892-3	23-34-235	2901 560-1	23-59-35
2899 378	14-02-18	2900 160-1	23-40-92	2900 618-9	23-34-235	2900 894-5	23-34-235	2901 562-3	23-34-252
2899 380	14-26-6	2900 162-3	23-40-92	2900 620-1	23-34-235	2900 896-7	23-34-235	2901 570-1	23-09-9
2899 382	14-26-6	2900 166	23-64-66	2900 622-3	23-34-235	2900 902-3	23-34-242	2901 594	23-64-300
2899 387	14-01-1	2900 167	23-64-66	2900 624-5	23-34-235	2900 912-3	8-55-23	2901 602	23-64-12
2899 393	14-24-1	2900 168	23-64-66	2900 626-7	23-34-235	2900 918-9	23-34-242	2901 603	23-64-4
2899 395	14-24-6	2900 169	23-64-66	2900 628-9	23-34-235	2900 920	23-34-281	2901 614-5	23-63-100
2899 396	14-15-6	2900 178	23-64-66	2900 630-1	23-34-235	2900 921	23-34-167	2901 626	23-63-21
2899 397	14-26-6	2900 180	23-64-66	2900 634-5	23-34-235	2900 936	8-55-23	2901 628-9	23-63-21
2899 400	14-11-9	2900 181	23-64-314	2900 644-5	23-34-234	2900 937	23-32-22	2901 632-3	23-34-229
2899 411	10-03-4	2900 182	23-64-314	2900 648-9	23-34-234	2900 938-9	23-34-176	2901 636-7	23-34-246
2899 495	9-31-4	2900 183	23-64-314	2900 650-1	23-34-234	2900 942-3	23-36-12	2901 640-1	23-64-68
2899 526	24-25-15	2900 184	23-64-314	2900 652-3	23-34-234	2900 956-7	8-55-23	2901 649	23-39-48
2899 528	24-25-10	2900 185	23-64-314	2900 654-5	23-34-234	2900 976	23-39-48	2901 654	23-64-314
2899 529	24-25-10	2900 186	23-64-314	2900 656-7	23-34-234	2900 978-9	23-34-234	2901 655	23-64-314
2899 530	9-07-17	2900 187	23-64-314	2900 658-9	23-34-234	2900 986-7	23-63-33	2901 656	23-64-314
2899 531	9-23-18	2900 188	23-64-314	2900 660-1	23-34-234	2901 010	23-66-65	2901 657	23-64-314
2899 532	9-23-18	2900 200-1	23-26-41	2900 664-5	23-34-234	2901 020	23-22-145	2901 658	23-64-66
2899 534	9-15-1	2900 206	23-34-301	2900 666-7	23-34-234	2901 022-3	23-22-145	2901 659	23-64-66
2899 536	9-36-5	2900 207	23-34-301	2900 668-9	23-34-234	2901 030-1	23-58-230	2901 670-1	23-64-213
2899 537	9-36-5	2900 208	23-34-301	2900 670-1	23-34-234	2901 036-7	23-63-55	2901 678	23-34-167
2899 538	9-36-5	2900 209	23-34-301	2900 672-3	23-34-234	2901 040-1	23-63-33	2901 688-9	23-34-176
2899 539	14-02-88	2900 210-1	23-40-85	2900 674-5	23-34-27	2901 048-9	23-36-53	2901 811	7-17-1
2899 540	14-02-87	2900 212-3	23-40-85	2900 682-3	23-34-27	2901 050-1	23-36-53	2901 820-1	23-51-5
2899 541	14-02-34	2900 214-5	23-40-85	2900 688-9	23-36-53	2901 052-3	23-36-53	2901 822-3	23-51-5
2899 547	9-39-14	2900 216-7	23-40-85	2900 690-1	23-36-53	2901 062-3	23-34-246	2901 898-9	23-64-311
2899 548	9-39-14	2900 222-3	23-40-85	2900 692-3	23-36-53	2901 064-5	23-34-246	2901 900-1	23-64-311
2899 549	9-39-15	2900 275	23-23-11	2900 694-5	23-36-53	2901 066-7	23-34-246	2901 902-3	8-55-23
2899 556	9-17-5	2900 280-1	23-59-56	2900 696-7	23-36-53	2901 078-9	23-34-257	2901 980-1	8-55-23
2899 561	9-42-1	2900 282-3	23-59-56	2900 698-9	23-36-53	2901 080-1	23-34-257	2901 986-7	23-34-249
2899 567	9-42-1	2900 284-5	23-59-56	2900 700-1	23-36-53	2901 082-3	23-51-19	2901 988-9	23-34-249
2899 576	24-25-10	2900 286-7	23-59-56	2900 702-3	23-36-53	2901 094-5	23-34-27	2901 990-1	23-19-84
2899 577	24-25-10	2900 288-9	23-59-56	2900 704-5	23-36-53	2901 096-7	23-34-27	2902 064-5	23-59-61
2899 582	9-07-5	2900 290-1	23-59-56	2900 710	23-36-66	2901 098-9	23-34-27	2902 066-7	23-59-61
2899 584	9-07-5	2900 292-3	23-59-56	2900 712-3	23-36-66	2901 100-1	23-34-27	2902 145	12-15-32
2899 594	9-42-1	2900 294-5	23-59-56	2900 714-5	23-34-246	2901 106-7	23-34-21		23-11-10
2899 595	9-42-1	2900 296-7	23-59-56	2900 716-7	23-34-246	2901 118-9	23-19-82		23-34-329
2899 599	24-25-45	2900 308-9	23-26-41	2900 718-9	23-34-246	2901 120-1	23-19-82	2902 294	23-54-2
2899 803	19-54-115	2900 367	23-64-314	2900 724-5	23-63-33	2901 122-3	23-19-82	2902 295	12-15-32
2899 804	19-54-115	2900 399	23-34-176	2900 752-3	23-19-82	2901 148-9	23-34-248		23-11-10
2899 806	10-23-7	2900 414	23-34-166	2900 754-5	23-19-82	2901 150-1	23-34-248		23-34-329
2899 807	10-23-7	2900 415	23-34-166	2900 762-3	23-59-37	2901 152-3	23-34-248	2902 308-9	23-40-85
2899 808	10-23-7	2900 416	23-34-166	2900 764-5	23-59-37	2901 165	23-34-166	2902 312	23-58-78
2899 897	10-03-7	2900 420	23-34-167	2900 768-9	23-40-96	2901 184	23-34-166	2902 313	23-58-78
2899 924	10-03-4	2900 421	23-34-167	2900 770-1	23-40-96	2901 185	23-34-179	2902 314	23-58-78
2899 951	9-58-5	2900 422	23-34-167	2900 772-3	23-40-96	2901 190-1	23-19-177	2902 356-7	23-51-6
2899 953	14-06-10	2900 437	23-34-179	2900 774-5	23-40-96	2901 239	23-58-569	2902 360-1	23-51-12
2899 960	9-48-7	2900 438	23-34-179	2900 783	23-32-48	2901 260	23-58-570	2902 364-5	23-51-19
2899 961	24-25-15	2900 466-7	23-32-49	2900 786-7	23-59-35	2901 262-3	23-58-572	2902 366-7	23-51-19
2899 962	14-06-10	2900 468-9	23-32-49	2900 788-9	23-59-35	2901 264-5	23-58-572	2902 370-1	23-34-229
2899 992	9-48-6	2900 480-1	23-51-5	2900 792-3	23-59-35	2901 266	23-58-572	2902 380-1	23-36-12
2900 016-7	23-32-17	2900 488-9	23-51-19	2900 796-7	23-63-21	2901 268	23-58-569	2902 382-3	23-36-12
2900 022-3	23-51-43	2900 490-1	23-51-5	2900 800	23-32-22	2901 273	23-58-3	2902 384-5	23-64-311
2900 026	23-51-19	2900 492-3	23-51-5	2900 801	23-32-24	2901 276	23-51-19	2902 386-7	23-64-311
2900 030-1	23-51-19	2900 494-5	23-51-5	2900 804	23-40-86	2901 280-1	23-51-19	2902 392-3	23-34-234
2900 040-1	23-34-235	2900 498-9	23-51-5	2900 814-5	23-63-33	2901 282-3	23-51-19	2902 395	23-34-179
2900 042-3	23-34-234	2900 500-1	23-51-5	2900 816-7	23-63-33	2901 288-9	23-51-6	2902 397	23-58-75
2900 074-5	23-36-53	2900 502-3	23-51-5	2900 820-1	23-63-33	2901 315	23-34-167	2902 398-9	23-34-252
2900 078-9	23-19-82	2900 504-5	23-51-5	2900 834-5	23-19-177	2901 316-7	23-59-35	2902 410	23-34-179
2900 086-7	23-59-35	2900 506-7	23-34-229	2900 836-7	23-19-177	2901 384-5	23-34-183	2902 439	23-34-329

1969 PASSENGER CAR PARTS CATALOG

PART NUMBER	CODE	PART NUMBER	CODE	PART NUMBER	CODE	PART NUMBER	CODE	PART NUMBER	CODE
2902 448-9	23-34-329	2902 841	23-58-75	2925 556	8-33-5	2925 946	23-32-17	2926 299	23-41-55
2902 452	23-54-2	2902 852-3	23-63-55	2925 557	8-33-5	2925 976	23-32-17	2926 300	23-41-55
2902 453	12-15-32	2902 868-9	23-23-15	2925 558	19-30-19	2926 015	8-15-53	2926 301	23-41-55
	23-11-10	2902 871	23-34-306	2925 559	19-14-48	2926 017	23-54-178	2926 303	8-15-53
	23-34-329	2902 876-7	23-34-305	2925 561	8-33-15	2926 019	8-37-504	2926 304	23-41-170
2902 473	23-58-603	2902 890	23-32-25	2925 573	8-33-118	2926 033	23-41-173	2926 306	23-41-170
2902 478-9	23-51-19	2902 892	23-32-25	2925 574	8-33-118	2926 050	8-16-4	2926 307	23-41-170
2902 484-5	23-34-22	2902 895	23-58-238	2925 577	5-31-15	2926 051	8-16-6	2926 308	23-41-170
2902 486-7	23-34-22	2902 900-1	23-34-213	2925 579	5-27-1	2926 060	14-02-69	2926 309	23-41-170
2902 488-9	23-34-179	2902 902-3	23-34-245	2925 582	5-31-12	2926 083	8-01-17	2926 311	23-41-170
2902 490-1	23-39-49	2902 908-9	23-34-231	2925 584	5-31-11	2926 085	8-01-17	2926 312	23-41-170
2902 504-5	23-34-229	2902 950-1	23-63-33	2925 588	6-52-10	2926 097	1-87-404	2926 313	23-41-170
2902 506-7	23-51-19	2902 960-1	23-34-248	2925 601	11-05-1	2926 100	8-15-4	2926 314	23-41-170
2902 520-1	23-34-257	2902 962-3	23-34-248	2925 603	11-05-1	2926 104	8-15-4	2926 324	8-17-30
2902 523	23-49-9	2902 964-5	23-34-248	2925 610	11-05-4	2926 105	8-15-4	2926 325	8-17-30
2902 524	23-34-167	2902 969	23-19-74	2925 611	11-05-4	2926 106	8-15-4	2926 327	8-33-164
2902 526-7	8-55-23	2925 009	19-14-79	2925 612	11-05-4	2926 110	8-19-3	2926 337	8-34-123
2902 532	23-66-65	2925 052	19-46-8	2925 620	11-05-4	2926 111	8-15-23	2926 339	1-88-126
2902 552	23-34-179	2925 055	8-50-83	2925 622	8-15-4	2926 117	23-41-170	2926 356	23-41-55
2902 553	23-58-75	2925 059	19-15-95		11-01-1	2926 118	23-41-170	2926 358	23-41-55
2902 554-5	23-19-82	2925 062	19-14-91		11-09-3	2926 119	23-41-170	2926 361	23-41-55
2902 560-1	8-55-23	2925 065	19-14-98	2925 624	11-09-3	2926 121	23-41-184	2926 365	8-15-4
2902 562-3	23-34-235	2925 070	8-50-84	2925 625	11-09-3	2926 122	23-41-184	2926 367	8-15-4
2902 564-5	23-34-235	2925 071	8-50-84	2925 643	11-05-4	2926 123	23-41-184	2926 368	23-41-55
2902 566-7	23-34-235	2925 135	8-33-5	2925 645	11-05-4	2926 129	8-05-6	2926 370	8-55-57
2902 568-9	23-34-235	2925 137	8-33-6	2925 646	11-05-4	2926 130	14-02-32	2926 371	23-18-121
2902 570-1	23-34-235	2925 163	5-62-1	2925 653	11-01-1	2926 131	14-02-33		23-41-167
2902 572-3	23-34-235	2925 164	5-57-2	2925 654	11-01-1	2926 134	8-19-3	2926 374	8-16-6
2902 574-5	23-34-235	2925 170-1	22-05-14	2925 655	11-01-1	2926 140	23-54-178	2926 386	23-18-106
2902 576-7	23-34-235	2925 174-5	5-05-3	2925 658	11-01-1	2926 143	8-15-4	2926 390	8-15-2
2902 578	23-64-197		22-03-1	2925 659	11-01-1	2926 151	1-48-516	2926 391	8-15-2
2902 582-3	23-26-41	2925 186-7	5-05-16	2925 670	11-09-3	2926 156	8-19-3	2926 393	8-15-2
2902 588-9	23-63-55	2925 188	5-05-17	2925 671	11-09-3	2926 158	8-19-3	2926 394	23-67-41
2902 596-7	23-63-55	2925 199	5-05-8	2925 689	14-86-40	2926 168	23-67-104	2926 400	8-15-4
2902 604	23-51-41	2925 201	5-05-10	2925 697	14-86-35	2926 171	8-16-6	2926 402	1-87-404
2902 605	23-51-41	2925 206-7	5-05-1	2925 725	14-88-21	2926 172	8-16-6	2926 407	8-15-53
2902 618-9	23-19-82	2925 208	5-05-41	2925 748	14-86-1	2926 174	8-16-4	2926 408	8-15-53
2902 623	23-34-179	2925 209	5-05-43	2925 750	14-88-21		23-47-337	2926 409	8-15-53
2902 625	23-19-74	2925 220-1	5-05-1	2925 768	11-05-4	2926 175	23-18-105	2926 410	8-15-53
2902 628-9	23-34-235	2925 222	5-05-1	2925 771	11-01-1	2926 188	8-15-4	2926 412	8-15-4
2902 630-1	23-34-235	2925 223	5-05-1	2925 776	11-05-1	2926 189	8-15-53	2926 415	24-24-124
2902 632-3	23-34-235	2925 279	17-24-28	2925 779	11-05-1	2926 194	23-41-55	2926 417	23-54-178
2902 634-5	23-34-235	2925 296	17-29-6	2925 781	11-05-1	2926 195	8-15-4	2926 418	23-54-178
2902 642-3	23-36-20	2925 297	13-10-12	2925 783	11-05-1	2926 196	23-41-55	2926 419	23-54-178
2902 656	23-19-133	2925 299	13-10-1	2925 785	11-05-1	2926 202	23-47-446	2926 422	23-47-456
2902 664-5	23-51-41	2925 307	12-04-4	2925 788	11-05-1	2926 204	8-16-6	2926 424	23-47-446
2902 666-7	23-51-41	2925 315	12-04-4	2925 790	11-05-1	2926 205	8-15-4	2926 430	1-87-404
2902 680-1	23-40-85	2925 321	12-04-4	2925 792	11-05-1	2926 207	23-41-55	2926 431	1-87-404
2902 682-3	23-40-85	2925 326-7	12-01-22	2925 795	11-10-3	2926 216	23-41-55	2926 442	14-02-33
2902 684-5	23-40-85	2925 330-1	12-01-22	2925 797	11-01-1	2926 218	23-41-55	2926 445	8-37-545
2902 686-7	23-40-85	2925 332-3	12-01-22	2925 799	11-01-1	2926 225	23-41-55	2926 452	8-05-2
2902 688-9	23-34-234	2925 338-9	12-01-26	2925 801	11-05-1	2926 226	8-19-3	2926 466	8-15-2
2902 696-7	23-34-252	2925 339	12-01-26	2925 805	11-05-1	2926 231	8-15-4	2926 468	8-15-2
2902 702-3	23-34-242	2925 356	19-46-3	2925 807	11-05-1	2926 233	8-32-2	2926 469	8-15-2
2902 708-9	8-55-23	2925 357	19-46-3	2925 817	11-05-4	2926 234	23-41-55	2926 470	8-15-2
2902 722	12-15-11	2925 360	19-46-3	2925 824-5	11-01-1	2926 235	8-15-40	2926 475	8-15-27
2902 730-1	23-63-55	2925 361	19-46-3	2925 826	14-86-40	2926 238	8-15-52	2926 478	23-67-41
2902 754	23-34-179	2925 377	19-46-55	2925 829	14-86-43	2926 241	8-58-79	2926 479	8-01-17
2902 755	23-19-74	2925 397	19-14-23	2925 830	14-86-40	2926 247	8-15-32	2926 487	23-47-446
2902 756-7	23-58-473	2925 406	19-14-50	2925 833	14-86-43	2926 251	8-15-3	2926 492	8-15-2
2902 758-9	23-58-473	2925 456	19-31-1	2925 834	14-86-40	2926 253	8-15-3	2926 496	8-55-19
2902 760-1	23-58-473	2925 488	8-33-4	2925 837	14-86-43	2926 254	8-16-6	2926 497	8-55-19
2902 762	23-42-38	2925 491	19-14-38	2925 838	14-86-40	2926 255	8-16-6	2926 498	8-55-21
2902 768-9	23-26-41	2925 492	19-15-35	2925 841	14-86-43		23-67-169	2926 499	8-55-19
2902 773	21-30-416	2925 494	19-31-1	2925 878	14-86-35	2926 256	8-16-6	2926 502	8-15-2
2902 792	23-64-12	2925 495	19-31-3	2925 881	1-39-2	2926 257	8-16-6	2926 504	8-15-2
2902 794-5	23-26-41	2925 498	19-14-23		14-86-60	2926 258	8-16-6	2926 505	8-15-2
2902 796-7	23-26-41	2925 502	19-46-8	2925 901	13-01-1	2926 263	8-19-87	2926 506	8-15-2
2902 804	23-40-86	2925 504	8-50-87	2925 903	13-11-5	2926 264	23-41-55	2926 509	8-15-2
2902 808-9	23-63-55	2925 506	8-50-82	2925 904-5	13-64-4	2926 265	1-88-126	2926 510	8-15-2
2902 810-1	23-63-55	2925 524	19-14-85	2925 914-5	13-64-72	2926 268	8-19-3	2926 549	14-02-24
2902 822	23-23-27	2925 525	19-14-24	2925 930	23-32-17	2926 270	8-58-60	2926 552	8-05-28
2902 826-7	23-26-41	2925 554	8-33-6	2925 932	23-32-17	2926 272	24-24-124	2926 557	1-88-170
2902 834-5	23-19-177	2925 555	8-33-6	2925 934	23-32-17	2926 275	8-58-60	2926 565	1-88-120

PART NUMBER	CODE	PART NUMBER	CODE	PART NUMBER	CODE	PART NUMBER	CODE	PART NUMBER	CODE
2926 567	8-17-30	2926 859	8-15-4	2927 247	8-37-372	2927 764	23-06-16	2930 216-7	8-55-158
2926 574	8-11-2	2926 861	8-16-19	2927 253	8-37-381	2927 776	23-33-16	2930 234-5	8-55-7
2926 585	8-50-129	2926 862	23-47-425	2927 254	8-41-41		24-24-151	2930 244-5	8-55-158
2926 586	8-50-129	2926 864	8-15-2	2927 258	21-30-19	2927 779	23-06-10	2930 246-7	8-55-136
2926 589	8-50-129	2926 865	8-15-2	2927 259	8-19-15	2927 802	8-37-90	2930 260-1	8-55-7
2926 590	8-50-129	2926 866	8-15-2	2927 280	23-33-65	2927 803	23-06-14	2930 276-7	8-55-7
2926 591	8-50-129	2926 872	23-58-189	2927 281	23-06-46	2927 805	23-06-21	2930 292-3	8-55-7
2926 593	23-47-446	2926 873	23-58-189	2927 296	23-06-13	2927 859	23-33-109	2930 322-3	8-55-158
2926 594	8-16-4	2926 874	23-41-55	2927 312	8-37-372	2927 861	23-33-109	2930 354-5	8-55-7
2926 601	8-11-6	2926 875	23-41-55	2927 313	8-37-372	2927 863	23-33-109	2930 356-7	8-55-158
2926 603	8-19-3	2926 876	23-41-55	2927 319	8-37-316	2927 868	23-33-109	2930 362	8-56-23
2926 605	8-01-17	2926 877	14-02-69	2927 321	8-37-1	2927 869	23-33-135	2930 363	8-50-338
2926 606	8-01-17	2926 880	8-19-3	2927 336	8-37-162	2927 870	23-33-135	2930 366-7	8-50-303
2926 607	8-16-4	2926 881	8-19-3	2927 337	1-21-1	2927 871	23-33-135	2930 384-5	8-50-303
2926 617	8-16-4	2926 887	8-19-3		8-37-14	2927 875	23-06-53	2930 400-1	8-55-158
2926 621	8-28-78	2926 891	8-19-89	2927 348	1-21-25	2927 876	23-06-10	2930 402-3	8-55-158
2926 626	1-88-6	2926 896	8-15-35		1-48-70	2927 879	8-37-90	2930 406-7	8-55-7
2926 627	1-88-6	2926 918	23-67-76		24-24-140	2927 881	8-37-90	2930 408-9	8-55-158
2926 628	1-88-6	2926 919	23-67-98	2927 349	1-21-25	2927 883	23-06-15	2930 414	8-50-175
2926 633	8-15-2	2926 923	23-67-104		1-48-70	2927 897	23-02-18	2930 424-5	8-55-7
2926 649	8-15-32	2926 924	23-67-79		24-24-140	2927 905	23-06-4	2930 432-3	8-55-7
2926 651	8-16-8	2926 927	23-67-252	2927 350	1-21-25	2927 906	23-06-4	2930 450-1	8-50-315
2926 655	8-15-4	2926 929	23-67-98		24-24-140	2927 910	21-84-1	2930 454-5	8-55-7
2926 668	8-01-17	2926 932	23-67-246	2927 351	8-41-41	2927 912	21-84-1	2930 466-7	8-55-158
2926 673	1-88-12	2926 937	23-67-268	2927 358	8-41-44	2927 920	21-84-1	2930 470-1	8-55-7
2926 676	14-02-32	2926 941	23-67-29	2927 369	23-12-23	2927 928	23-33-135	2930 482-3	8-55-158
2926 677	14-02-33	2926 961	8-34-115	2927 391	23-02-18	2927 929	1-87-22	2930 486-7	8-50-303
2926 686	1-88-162	2926 962-3	23-67-246	2927 396	8-37-504		23-33-135	2930 500-1	8-50-315
2926 688	1-88-117	2926 966-7	23-67-246	2927 403	8-37-440	2927 930	23-33-135	2930 517	8-50-303
2926 690	1-88-0	2927 002	23-33-109	2927 408	8-37-101	2927 937	8-37-178	2930 524-5	8-50-315
2926 691	1-88-0	2927 037	8-37-162	2927 419	8-37-90	2927 938	8-37-178	2930 526-7	8-50-315
2926 695	23-54-167	2927 038	8-37-372	2927 421	23-33-109	2927 940	23-06-4	2930 530-1	8-50-303
2926 698	23-54-167	2927 039	8-37-372	2927 427	23-33-109	2927 953	23-33-135	2930 538-9	8-55-7
2926 700	23-18-105	2927 040	8-37-372	2927 435	23-06-10	2927 954	23-33-135	2930 548-9	8-50-292
2926 705	8-15-4	2927 045	8-37-275	2927 437	23-06-21	2927 955	23-33-135	2930 560-1	8-50-315
2926 710	8-15-4	2927 047	8-37-1	2927 441	23-06-4	2927 956	23-33-135	2930 570	8-56-1
2926 720	1-87-404	2927 048	8-37-1	2927 444	23-06-4	2927 958	23-33-135	2930 580-1	8-50-184
2926 722	8-16-4	2927 056	8-37-90	2927 446	23-02-18	2927 959	23-33-135	2930 586-7	8-55-158
2926 724	23-41-180	2927 063	21-30-23	2927 483	23-33-135	2927 960	23-33-135	2930 588-9	8-50-292
2926 726	8-34-282	2927 067	21-30-19	2927 499	8-37-90	2927 971	23-33-135	2930 594-5	8-50-315
2926 733	8-34-8	2927 068	8-41-41	2927 500	8-37-90	2927 972	1-21-1	2930 604-5	8-50-303
2926 735	23-47-420	2927 081	23-33-20	2927 501	8-37-90	2927 973	1-21-1	2930 606	8-50-303
2926 736	23-47-420	2927 082	24-24-140	2927 502	8-37-90	2927 975	23-33-135	2930 608	8-50-303
2926 737	23-47-420	2927 089	8-37-162	2927 503	8-37-90	2927 976	23-33-135	2930 616-7	8-56-1
2926 742	8-01-17	2927 092	8-37-372	2927 556	23-02-18	2927 977	23-33-135	2930 618-9	8-56-36
2926 756	8-01-17	2927 093	8-37-372	2927 558	8-19-15	2927 978	23-33-135	2930 622-3	8-55-158
2926 757	8-01-17	2927 094	8-37-372	2927 580	23-33-109	2927 979	1-87-22	2930 624-5	8-55-7
2926 758	24-24-124	2927 099	8-37-275	2927 582	23-33-109		23-33-135	2930 658-9	8-55-158
2926 759	8-53-283	2927 100	8-37-136	2927 609	23-06-21	2927 980	1-87-22	2930 664-5	8-50-315
2926 760	8-53-283	2927 101	8-37-1	2927 615	8-41-43		23-33-135	2930 670-1	8-50-294
2926 761	8-37-70	2927 102	8-37-1	2927 624	8-37-162	2927 989	23-33-135	2930 672-3	8-50-315
2926 762	8-15-4	2927 108	8-37-178	2927 625	8-37-162	2927 992	23-33-135	2930 684	8-50-156
2926 763	8-15-4	2927 115	8-19-15	2927 632	23-33-10	2927 999	1-21-1	2930 686	8-50-175
2926 768	8-15-53	2927 119	1-21-19	2927 647	23-33-135	2930 026-7	8-55-7	2930 690-1	8-50-315
2926 769	8-15-53	2927 120	23-33-20	2927 665	8-37-178	2930 030-1	8-55-158	2930 696-7	8-50-292
2926 770	8-15-53	2927 123	19-31-7	2927 666	21-84-1	2930 032-3	8-55-7	2930 703	8-50-299
2926 771	8-15-53	2927 147	23-33-42	2927 670	21-84-1	2930 040-1	8-55-158	2930 708-9	8-50-315
2926 777	8-55-19	2927 150	23-06-10	2927 703	8-37-90	2930 046-7	8-55-7	2930 720	8-50-156
2926 786	8-15-4	2927 154	23-33-135	2927 704	8-37-90	2930 054-5	8-55-158	2930 726	8-57-58
2926 789	8-15-2	2927 155	23-33-135	2927 705	8-37-90	2930 058-9	8-55-7	2930 734-5	8-55-158
2926 797	8-01-17	2927 168	23-33-135	2927 706	8-37-90	2930 064-5	8-55-158	2930 744	8-14-19
2926 799	23-54-178	2927 170	23-33-135	2927 712-3	8-37-91	2930 072-3	8-55-7	2930 746	8-14-19
2926 814	8-05-2	2927 205	8-37-90	2927 714	8-37-91	2930 082-3	8-55-158	2930 776-7	8-50-294
2926 836	8-19-3	2927 206	8-37-90	2927 718	8-37-372	2930 100-1	8-50-292	2930 781	8-50-175
2926 841	8-19-3	2927 207	8-37-90	2927 719	8-37-372	2930 108-9	8-50-315	2930 784-5	8-55-57
2926 848	8-56-34	2927 223	8-37-1	2927 723	8-37-127	2930 110	8-50-338	2930 801	8-50-156
2926 851	8-15-4	2927 225	8-37-275	2927 725	23-33-12	2930 112-3	8-50-303	2930 806	8-56-1
2926 852	8-15-4	2927 234	8-37-162	2927 730	23-33-135	2930 126-7	8-50-303	2930 807	8-56-1
2926 853	8-15-4	2927 237	1-47-9	2927 732	23-33-135	2930 136-7	8-55-7	2930 808-9	8-56-1
2926 854	8-15-4	2927 238	1-47-9	2927 738	23-06-53	2930 146-7	8-55-7	2930 810-1	8-56-36
2926 855	8-15-4		1-48-70	2927 739	23-06-53	2930 168-9	8-55-158	2930 816-7	8-55-7
2926 856	8-15-4	2927 239	23-33-65	2927 740	23-06-10	2930 186-7	8-55-158	2930 820-1	8-55-7
2926 857	8-15-4	2927 240	23-33-20	2927 742	23-06-10	2930 200-1	8-55-158	2930 826-7	8-55-7
2926 858	8-15-4	2927 246	8-37-372	2927 744	23-06-53	2930 206-7	8-55-7	2930 836-7	8-55-154

1969 PASSENGER CAR PARTS CATALOG

NUMERICAL INDEX

PART NUMBER	CODE	PART NUMBER	CODE	PART NUMBER	CODE	PART NUMBER	CODE	PART NUMBER	CODE
2930 880-1	8-50-303	2931 360	13-64-29	2931 971	3-22-28	2932 820	21-113-24	2933 022	14-43-5
2930 889	8-50-303	2931 364	13-64-35	2931 972	3-22-28	2932 823	8-50-184	2933 023	14-35-1
2930 912	8-50-303	2931 368-9	13-64-150	2931 973	3-22-28	2932 824-5	8-55-194	2933 037	14-30-4
2930 942-3	8-50-292	2931 375	13-66-3	2931 974	3-22-28	2932 827	1-48-599	2933 038	14-30-4
2930 953	8-56-1	2931 376	13-66-3	2931 975	3-22-28	2932 828-9	8-50-334	2933 042	14-30-8
2930 958	8-14-19	2931 377	13-66-3	2931 976	3-22-28	2932 830	23-67-240	2933 043	14-30-4
2930 960	8-14-19	2931 382-3	13-66-16	2931 977	3-22-28	2932 831	1-48-88	2933 091	14-30-7
2930 963	8-14-19	2931 384-5	13-66-16	2931 978	3-22-28	2932 834	23-41-27	2933 104	14-30-4
2930 970	8-56-1	2931 386-7	13-66-44	2932 179	23-34-166		23-54-159	2933 105	14-30-8
2930 979	8-14-19	2931 388-9	13-68-6	2932 206-7	7-16-36		8-56-8	2933 106	14-30-8
2931 030	8-47-68	2931 400	13-64-3	2932 230	23-63-33		8-50-334	2933 125	14-30-4
2931 125	13-64-3	2931 401	13-64-35		23-63-100		8-50-334	2933 140	14-50-25
2931 132-3	13-68-6	2931 414	13-64-26	2932 436-7	23-64-240		24-28-195	2933 141	14-50-13
2931 140	13-66-3	2931 418-9	13-64-4	2932 519	13-72-4		24-28-300		14-50-15
2931 141	13-66-3	2931 422	13-64-33	2932 536-7	23-59-57		24-28-300	2933 158	14-43-5
2931 146-7	13-68-6	2931 423	13-64-34	2932 580	23-23-68		8-50-184	2933 164	14-37-24
2931 148	13-68-18	2931 424-5	13-64-26	2932 695	8-27-250		1-88-160	2933 165	14-48-2
2931 190-1	13-64-28	2931 428-9	13-64-72	2932 699	8-27-250		1-88-124	2933 166	14-30-7
2931 200	13-64-3	2931 430	13-64-72	2932 700	8-27-316		1-88-124	2933 167	14-30-4
2931 201	13-64-3	2931 432	7-26-15	2932 701	8-27-279		23-67-252	2933 174	14-35-1
2931 204-5	13-64-4	2931 436	13-64-34	2932 708	23-67-20		23-67-2	2933 179	14-30-7
2931 206-7	13-64-4	2931 437	13-64-34	2932 709	24-28-195		8-55-194	2933 180	14-30-4
2931 208	13-64-72	2931 440-1	13-64-72	2932 710-1	8-55-194		23-67-160	2933 181	14-43-5
2931 212	13-68-6	2931 444	13-64-26	2932 712-3	8-55-194		8-53-150	2933 182	14-39-7
2931 214	13-68-18	2931 450	13-66-3	2932 714-5	8-55-194		8-50-186	2933 183	14-50-13
2931 225	13-66-3	2931 451	13-66-3	2932 716-7	8-55-194		8-50-186	2933 185	14-39-7
2931 226	13-66-3	2931 452-3	13-66-2	2932 718-9	8-56-8		1-06-2	2933 186	14-50-13
2931 228-9	13-66-21	2931 454-5	13-66-2	2932 720-1	8-55-194		8-50-186		14-50-15
2931 232-3	13-66-16	2931 468-9	13-66-16	2932 722-3	8-55-194		1-48-374	2933 188	14-43-5
2931 234-5	13-66-16	2931 472-3	13-66-16	2932 727	8-20-10		1-48-941	2933 190	14-39-7
2931 236-7	13-66-44	2931 478	13-66-37	2932 728-9	8-55-194		8-50-334	2933 191	14-30-7
2931 240-1	13-66-16	2931 480-1	13-66-40	2932 730-1	8-55-194		23-67-160	2933 193	14-41-3
2931 242-3	13-66-16	2931 484-5	13-66-21	2932 732-3	8-55-194		8-34-278	2933 194	14-43-5
2931 244	13-66-3	2931 488-9	13-66-153	2932 734-5	8-55-194		8-53-37	2933 195	14-35-1
2931 245	13-66-3	2931 490	13-66-46	2932 736-7	8-55-158		24-01-24	2933 196	14-39-7
2931 250	13-64-3	2931 491	13-66-141	2932 738-9	8-55-194		8-14-9	2933 197	14-30-7
2931 251	13-64-3	2931 492	13-66-141	2932 740-1	8-55-1		8-14-9	2933 198	14-30-4
2931 252-3	13-68-6	2931 498	13-66-116	2932 742-3	8-55-194		8-14-9	2933 199	14-39-7
2931 256-7	13-64-4	2931 499	13-68-18	2932 746-7	8-55-194		8-14-9	2933 200	14-30-4
2931 258-9	13-64-4	2931 502	13-68-6	2932 748-9	8-55-194		8-14-9	2933 204-5	23-14-53
2931 260	13-64-72	2931 510-1	13-66-147	2932 750-1	8-55-1		8-14-9	2933 206	23-64-299
2931 261	8-47-8	2931 512	13-66-148	2932 752-3	8-55-194		8-14-9	2933 222-3	23-09-51
2931 264-5	13-68-6	2931 514-5	13-66-15	2932 755	8-29-17		8-14-9	2933 240-1	23-42-56
2931 266	13-68-18	2931 525	13-66-24	2932 756	8-29-129		8-14-9	2933 244-5	23-64-254
2931 267	13-64-39	2931 526	13-68-18	2932 758-9	8-55-194		8-14-9	2933 246-7	23-09-51
2931 274	13-64-26	2931 687	3-22-26	2932 760-1	8-55-194		8-36-1	2933 249	5-01-2
2931 275	13-66-3	2931 803	16-20-7	2932 762-3	8-56-8		8-36-1	2933 250	5-01-2
2931 276	13-66-3	2931 810	3-03-1	2932 764-5	8-55-194		23-67-240	2933 251	5-01-2
2931 282-3	13-66-16	2931 811	3-03-1	2932 772-3	8-50-334		8-56-8	2933 252	5-01-2
2931 284-5	13-66-16	2931 813	16-20-1	2932 774-5	8-50-334		8-56-8	2933 253	5-01-2
2931 286-7	13-66-44	2931 817	3-22-28	2932 776-7	8-50-334		8-27-250	2933 274-5	23-09-51
2931 294	13-68-6	2931 818	3-22-28	2932 780-1	8-50-304		8-55-158	2933 280-1	23-09-51
2931 300	13-64-3	2931 824	3-03-1	2932 782-3	8-50-334		8-55-194	2933 657	13-64-29
2931 301	13-64-3	2931 860	3-03-1	2932 784-5	8-50-334		14-72-1	2933 658-9	12-01-5
2931 308-9	13-64-4	2931 862	3-22-45	2932 786-7	8-50-334		14-72-1	2933 660-1	12-01-5
2931 310-1	13-64-4	2931 874	3-22-26	2932 788-9	8-50-334		14-72-1	2933 662-3	12-01-5
2931 312-3	13-64-72	2931 878	3-19-1	2932 790-1	8-55-1		14-72-1	2933 664-5	12-01-5
2931 318	13-64-33	2931 892	3-19-1	2932 792-3	8-55-194		14-72-1	2933 666-7	12-01-5
2931 319	13-64-32	2931 931	3-22-28	2932 797	14-73-1		14-72-1	2933 668-9	12-01-5
2931 320	13-64-36	2931 933	3-22-28	2932 798	14-73-1		14-72-1	2933 670-1	12-01-5
2931 323	8-47-8	2931 935	3-22-28	2932 799	14-73-1		8-27-292	2933 672-3	12-01-5
2931 325	13-64-3	2931 936	3-22-28	2932 800-1	8-50-334		8-27-292	2933 674-5	12-01-5
2931 326	13-64-3	2931 937	3-22-28	2932 802-3	8-50-334		8-27-316	2933 676-7	12-01-5
2931 327	13-64-26	2931 960	3-22-28	2932 804-5	8-50-334		8-27-279	2933 678-9	12-01-5
2931 328-9	13-64-26	2931 961	3-22-28	2932 807	23-67-160		8-27-279	2933 680-1	12-01-5
2931 336-7	13-64-26	2931 962	3-22-28	2932 808	8-56-1		24-25-3	2933 682-3	12-01-5
2931 342-3	13-64-26	2931 963	3-22-28	2932 809	8-56-8		23-41-34	2933 684-5	13-64-29
2931 344-5	13-64-29	2931 964	3-22-28	2932 810-1	8-50-334		24-24-39	2933 686-7	13-64-29
2931 346-7	13-64-29	2931 965	3-22-28	2932 812	8-52-137		1-82-12	2933 930-1	23-09-67
2931 348	13-64-29	2931 966	3-22-28	2932 813	8-52-345		8-56-8	2933 959	7-16-63
2931 349	13-64-26	2931 967	3-22-28	2932 814	8-52-342		8-14-9	2933 962	7-26-2
2931 351	13-68-6	2931 968	3-22-28	2932 815	8-52-354		14-41-3	2933 973	1-74-1
2931 352	13-68-18	2931 969	3-22-28	2932 816-7	8-55-194		14-43-5	2934 022	15-03-3
2931 353	13-68-43	2931 970	3-22-28	2932 818	8-41-17		14-35-1	2934 028	23-19-8

PART NUMBER	CODE	PART NUMBER	CODE	PART NUMBER	CODE	PART NUMBER	CODE	PART NUMBER	CODE
2934 036	23-19-8	2935 270-1	23-18-20	2935 676	23-18-26	2936 142	24-28-8	2936 438	24-28-300
2934 040	23-19-8	2935 272	23-18-20	2935 678	23-18-26	2936 143	24-28-8	2936 450	24-01-46
2934 044-5	23-34-80	2935 282	23-18-5	2935 696	23-18-125	2936 145	24-28-43	2936 454	24-28-220
2934 046-7	23-34-80	2935 284-5	23-18-5	2935 706	23-18-101	2936 149	24-28-387	2936 466	24-01-1
2934 060-1	23-51-5	2935 294-5	23-14-27	2935 758-9	23-47-6	2936 156	24-28-387	2936 470	24-26-20
2934 072	15-03-3	2935 326	23-18-107	2935 768	23-47-6	2936 157	24-28-387	2936 471	24-28-220
2934 074	23-19-8	2935 332	23-48-19	2935 769	23-47-6	2936 191	24-28-78	2936 474	24-26-35
2934 081	7-17-13	2935 334	23-21-3	2935 770	23-47-6	2936 195	24-28-73	2936 479	24-24-53
2934 086	15-03-3	2935 335	23-21-3	2935 771	23-47-6	2936 198	24-28-73	2936 480	24-24-53
2934 089	23-54-3	2935 337	23-21-3	2935 774-5	23-47-6	2936 199	24-28-73	2936 481	24-24-53
2934 090	23-54-3	2935 338	23-21-3	2935 778-9	23-47-6	2936 203	24-28-225	2936 485	24-27-5
2934 091	23-54-3	2935 339	23-21-3	2935 780	23-47-6	2936 204	24-28-225	2936 486	24-28-6
2934 099	23-54-136	2935 340	23-21-3	2935 781	23-47-6	2936 214	24-28-207	2936 490	24-01-36
2934 198	23-32-46	2935 343	23-21-14	2935 782	23-47-6	2936 215	24-28-211	2936 491	24-26-102
2934 267	23-34-80	2935 351	15-11-3	2935 783	23-47-6	2936 228	24-28-8	2936 495	24-01-36
2934 320-1	23-19-84	2935 352	15-11-5	2935 790	23-47-6	2936 233	24-01-70	2936 513	1-48-1
2934 336-7	23-51-5	2935 355	15-11-20	2935 791	23-47-6	2936 237	24-29-3	2936 517	1-48-854
2934 346-7	23-51-5	2935 356	15-11-5	2935 803	23-17-2		24-29-6	2936 519	1-48-707
2934 356-7	23-51-5	2935 357	15-11-5	2935 820	23-17-2	2936 238	24-01-18	2936 522	1-48-707
2934 364	23-34-80	2935 360	15-11-5	2935 821	23-17-2	2936 239	1-48-125	2936 523-4	1-48-707
2934 367	15-03-3	2935 361	15-11-5	2935 837	23-17-4		24-01-18	2936 536	1-48-153
2934 368	15-03-3	2935 363	15-11-5	2935 839	23-17-4	2936 240	24-01-70	2936 542	1-48-55
2934 374	23-51-19	2935 365	15-11-34	2935 840	23-17-4	2936 263	24-38-335	2936 547	1-48-55
2934 429	23-34-293	2935 367	15-11-34	2935 841	23-17-4	2936 266	24-28-339	2936 550	1-48-55
2934 451	23-32-17	2935 368	15-11-34	2935 847	23-17-2	2936 267	24-28-334	2936 559	24-01-41
2934 458	23-51-19	2935 369	15-11-34	2935 850	23-54-27	2936 270	24-28-92	2936 584	24-28-220
2934 459	13-01-1	2935 370	15-11-34	2935 854	23-21-18	2936 271	24-28-99	2936 592	24-25-232
2934 460	13-01-1	2935 371	15-11-34	2935 855	23-21-18	2936 278	24-24-67	2936 666	24-24-16
2934 461	13-01-1	2935 372	15-11-34	2935 900	23-06-28	2936 279	24-29-1	2936 701	1-47-1
2934 462-3	23-11-1	2935 373	15-11-3	2935 906	8-35-115	2936 281	24-29-1	2936 702	1-47-2
2934 468-9	23-11-1	2935 374	15-11-3	2935 916	23-17-72	2936 288	24-01-18	2936 703	1-47-2
2934 470-1	23-11-1	2935 375	15-11-16	2935 917	23-17-38	2936 296	24-27-5	2936 704	1-47-2
2934 474-5	23-11-1	2935 376	15-13-2	2935 921	23-54-216	2936 297	24-27-5	2936 706	1-48-559
2934 478-9	23-11-1	2935 382-3	23-15-1	2935 923	23-54-216	2936 298	1-48-572	2936 715	24-28-326
2934 495	15-03-3	2935 386-7	23-39-34	2935 924	23-54-216	2936 302	24-28-73	2936 719	24-26-101
2934 496	23-36-53	2935 388-9	23-39-34	2935 925	23-54-216	2936 303	24-28-73	2936 723	24-26-100
2934 498	7-26-30	2935 392-3	23-39-5	2935 934-5	23-48-98	2936 308	24-28-73	2936 724	24-26-100
2934 539	23-54-3	2935 394-5	23-39-5	2935 942	23-48-102	2936 309	24-28-73	2936 739	24-28-113
2934 600-1	23-32-105	2935 396-7	23-39-5	2935 944	23-19-94	2936 314	1-48-141	2936 745	24-29-3
2934 602-3	23-32-105	2935 414-5	23-47-6	2935 997	23-19-94		24-28-78	2936 748	24-25-107
2934 690-1	23-32-105	2935 418	23-47-6	2936 001	24-28-113	2936 320	1-48-141	2936 750	24-01-34
2934 692-3	23-32-105	2935 419	23-47-6	2936 002	24-28-113		24-28-73	2936 754	24-24-150
2934 727	23-19-8	2935 420	23-47-6	2936 003	24-28-96	2936 324	24-28-73	2936 757	1-48-572
2934 730	15-03-3	2935 421	23-47-6	2936 004	24-28-96	2936 327	24-28-73		24-01-87
2934 733	15-03-3	2935 422	23-54-4	2936 015	24-29-3	2936 330	24-28-73	2936 761	24-25-20
2934 742-3	23-19-84	2935 426	23-54-5	2936 017	24-29-3	2936 342	24-28-73	2936 767	24-25-20
2934 772	23-34-110	2935 427	23-54-144	2936 018	24-29-1	2936 346	1-47-22	2936 778	24-27-5
2934 893	15-03-3	2935 432	23-54-1	2936 020-1	1-48-383		1-48-5	2936 779	24-27-5
2934 899	23-34-110	2935 438	23-54-216	2936 042	1-48-4	2936 347	1-47-14	2936 780	24-27-5
2934 936	13-11-5	2935 440	23-54-216		24-24-161	2936 350	24-24-44	2936 783	24-28-302
2934 938	13-11-5	2935 444-5	23-58-262	2936 054	24-28-70	2936 352	24-01-18	2936 784	24-26-100
2935 004	23-18-5	2935 446-7	23-39-29	2936 061	24-28-73	2936 354	24-01-18	2936 785	24-26-100
2935 040-1	23-18-5	2935 456-7	23-18-26	2936 066	1-48-1	2936 355	1-48-125	2936 786	24-26-100
2935 062-3	23-18-25	2935 458-9	23-18-26	2936 067	1-48-1		24-01-18	2936 787	24-26-100
2935 066-7	23-18-11	2935 460-1	23-18-26	2936 068	1-48-1	2936 357	24-24-67	2936 793	24-26-100
2935 078	23-18-5	2935 462-3	23-18-26	2936 069	1-48-1	2936 358	24-28-13	2936 794	24-26-100
2935 085	23-18-29	2935 490	23-21-8	2936 070	1-48-35	2936 363	24-24-150	2936 795	24-26-100
2935 086	23-18-29	2935 513	15-11-3	2936 073	1-48-125	2936 364	24-24-154	2936 798	24-28-5
2935 087	15-13-2	2935 517	15-11-34	2936 074	1-48-125	2936 365	24-24-5	2936 800	24-28-220
2935 105	23-18-20	2935 529	15-11-20	2936 103	1-48-832	2936 371	24-01-46	2936 819	24-01-1
2935 114-5	23-18-11	2935 559	15-11-17	2936 106	1-48-832	2936 372	1-48-141	2936 821	24-28-19
2935 118	23-18-21	2935 560	15-19-8	2936 111	1-48-88		24-28-78	2936 860	24-24-184
2935 149	23-48-105	2935 567	23-54-20	2936 116	1-48-258	2936 380	1-48-141	2936 876	24-01-1
2935 182	23-14-147	2935 569	23-54-144	2936 119	1-48-707		24-28-73	2936 885	1-47-1
2935 193	23-48-105	2935 571	23-54-142	2936 124	1-48-125	2936 388	1-48-555	2936 886	24-28-17
2935 194-5	23-48-98	2935 572	23-54-140	2936 126	1-48-90	2936 390	1-48-559	2936 887	24-28-17
2935 214-5	23-14-27	2935 603	23-54-221	2936 127	1-48-606	2936 391	24-28-406	2938 176	24-25-107
2935 217	23-21-3	2935 604	23-54-214	2936 131	1-48-611	2936 410	24-28-8	2938 219	24-25-107
2935 222	15-19-8	2935 605	23-54-222	2936 136	1-48-141	2936 411	24-28-8	2938 227	24-25-107
2935 231	23-14-24	2935 606-7	23-64-76	2936 138	24-28-73	2936 412	24-28-8	2938 228	24-25-107
2935 232	23-14-24	2935 652-3	23-18-11	2936 139	1-48-141	2936 413	24-28-8	2938 229	24-25-107
2935 236-7	23-14-10	2935 656-7	23-18-11		24-28-73	2936 414	24-28-5	2938 230	24-25-107
2935 262-3	23-18-20	2935 662-3	23-18-26	2936 140	24-28-5	2936 421	24-28-220	2941 846	24-25-107
2935 264	23-18-20	2935 674-5	23-18-25	2936 141	24-28-8	2936 424	24-28-220	2941 872	24-25-5

1969 PASSENGER CAR PARTS CATALOG

NUMERICAL INDEX

Page NU-26

PART NUMBER	CODE	PART NUMBER	CODE	PART NUMBER	CODE	PART NUMBER	CODE	PART NUMBER	CODE
2941 875	24-25-5	2945 066	23-54-140	2945 801	23-47-432	2946 649	14-11-9	2947 230	1-87-58
2941 891	24-25-107	2945 082-3	23-18-11	2945 803	23-54-21	2946 661	14-11-9	2947 231	1-87-58
2942 333	1-87-25	2945 103	23-21-16	2945 808	23-14-147	2946 663	14-11-9	2947 234	1-87-2
2942 445	23-26-75	2945 108	15-11-17	2945 813	23-54-5	2946 665	14-11-9		1-87-57
2942 446	23-26-75	2945 108-9	23-18-29	2945 854	23-54-143	2946 667	14-11-9	2947 245	8-19-83
2942 447	23-26-75	2945 110	23-54-222	2945 856	23-54-6	2946 669	14-11-9	2947 246	1-47-23
2942 448	23-26-75	2945 126	23-39-44	2945 860	23-54-27	2946 674	14-11-9		23-54-170
2942 504	23-26-75		23-41-7	2945 875	23-54-218	2946 676	14-01-1		23-58-548
2942 590	23-47-456	2945 132-2	23-49-7	2945 894	23-18-124	2946 677	14-01-1	2947 247	1-47-8
2943 001	23-26-76	2945 134-5	23-49-7	2945 895	23-18-124	2946 684	14-11-1		23-58-534
2943 002	23-26-76	2945 162	23-54-4	2945 899	23-54-141	2946 688	14-11-1	2947 249	8-53-29
2943 003	23-26-84	2945 205	23-21-14	2945 921	23-47-431	2946 694	14-06-1	2947 250	23-33-135
2943 004	23-26-76	2945 206	23-21-14	2945 922	23-47-431	2946 695	14-06-1	2947 251	8-40-5
2943 005	23-26-84	2945 208	23-21-14	2945 923	23-47-431	2946 696	14-06-1	2947 255	8-53-270
2943 006	23-26-76	2945 278-9	23-49-7	2945 924	23-47-431	2946 697	14-06-1	2947 256	23-67-160
2943 007	23-26-84	2945 236-7	23-18-25	2945 925	23-47-431	2946 698	14-06-1	2947 258	1-47-7
2943 010	23-26-84	2945 246-7	23-18-25	2945 926	23-47-431	2946 699	14-06-1		1-48-770
2943 018	23-26-76	2945 250	23-18-26	2945 927	23-47-431	2946 700	14-25-11		24-24-5
2943 019	23-26-84	2945 254-5	23-18-25	2945 937	23-47-430	2946 701	14-02-18	2947 260	1-48-770
2943 025	23-26-76	2945 258	23-18-26	2945 940	23-47-430	2946 706	10-24-4	2947 263	23-54-169
2943 053	23-26-84	2945 266	23-18-26	2945 950-1	23-41-4	2946 713	7-06-1	2947 265	8-37-75
2944 006	5-100-2	2945 270-1	23-18-11	2945 952-3	23-41-4	2946 716	7-06-14	2947 269	1-14-0
2944 009	5-100-20	2945 277	23-18-124	2945 955	23-21-3	2946 728	9-48-6	2947 285	1-19-1
2944 019	5-100-34	2945 300	15-19-8	2945 966-7	23-39-5	2946 732	7-06-14	2947 286	8-13-2
2944 020	5-100-26	2945 314-5	23-49-7	2945 968-9	23-39-5	2946 737	7-04-13	2947 289	8-55-19
2944 022	5-105-14	2945 362	23-54-187	2945 996-7	23-41-4	2946 751	10-23-7	2947 295	8-37-15
2944 031	5-110-18	2945 364	23-54-216	2946 006	10-03-4	2946 765	19-54-86	2947 297	8-37-15
2944 041	5-100-2	2945 395	23-48-90	2946 083	9-62-1	2946 789	7-06-1	2947 436	14-02-88
2944 048	5-100-2	2945 399	23-19-123	2946 104	14-29-2	2946 796	9-23-5	2947 493	8-11-2
2944 080	22-01-42	2945 400	23-17-11	2946 105	9-50-5	2946 799	8-28-15	2947 534	8-05-28
2944 088	22-08-5	2945 404-5	23-58-266	2946 114	7-04-9	2947 005	8-35-95	2947 535	8-05-28
2944 089	22-08-5	2945 412	23-19-79	2946 115	7-04-8	2947 007	8-19-83	2947 678	8-53-294
2944 092	22-01-42	2945 413	23-54-6	2946 116	7-04-10	2947 014	1-04-11	2947 696	1-04-19
2944 116	5-100-20	2945 416-7	23-48-70	2946 128	9-50-5	2947 015	1-04-11	2947 709	8-50-186
2944 117	22-01-42	2945 422	23-48-20	2946 134	24-25-10	2947 023	23-67-258	2947 716	8-11-12
2944 118	22-01-42	2945 428	23-18-20	2946 156	14-29-7	2947 040	24-24-140	2947 764	8-14-23
2944 119	22-01-42	2945 442	23-32-87	2946 159	14-29-7	2947 041	1-87-22	2947 845	8-11-16
2944 120	22-01-42	2945 444-5	23-47-6	2946 164	14-29-7	2947 065	1-04-4	2947 866	1-04-10
2944 121	22-01-42	2945 460	23-48-90	2946 172	14-29-7	2947 066	1-04-22	2947 928	8-05-2
2944 122	22-01-42	2945 461	23-48-67	2946 176	14-29-28	2947 073	8-19-83	2947 929	1-87-22
2944 155	22-01-5	2945 467	23-48-67	2946 179	14-29-2	2947 083	8-53-294	2948 077	17-23-3
2944 160	5-100-2	2945 470	15-11-20	2946 180	14-29-2	2947 084	8-53-296	2948 090-1	13-54-15
2944 161	22-01-41	2945 471	23-54-1	2946 182	14-68-3	2947 089	1-06-3	2948 398	17-12-4
2944 162	22-01-5	2945 510	23-39-44	2946 186	14-29-6	2947 099	8-53-150	2948 400	17-12-4
2944 165	22-01-42	2945 511	23-14-24	2946 188	14-29-7	2947 108	8-40-5	2949 001	9-46-31
2944 169	22-01-5	2945 512	23-14-24	2946 443	8-36-4	2947 114	23-33-216	2949 002	9-46-31
2944 269	5-39-3	2945 544	23-47-15	2946 450	9-03-28	2947 119	8-42-1	2949 003	9-46-31
2944 270	5-100-2	2945 545	23-54-74	2946 451	9-03-28	2947 122	8-42-1	2949 004	9-46-31
2944 313	5-39-3	2945 550-1	23-64-75	2946 463	9-03-28	2947 123	8-42-1	2949 005	9-46-31
2944 323	22-01-5	2945 560-1	23-41-4	2946 464	9-03-28	2947 124	8-42-1	2949 006	9-46-31
2944 376	5-39-3	2945 572-3	23-18-107	2946 466	9-03-28	2947 133	1-87-58	2949 007	7-16-11
2944 381	5-39-29	2945 578-9	23-18-13	2946 470	10-03-4	2947 142	1-87-22	2949 031	7-11-3
2944 398	22-01-42	2945 596-7	23-48-99	2946 486	9-16-6	2947 154	8-19-83	2949 032	7-11-3
2944 580-1	5-20-20	2945 600-1	23-14-10	2946 487	9-16-6	2947 171	8-53-294	2949 033	7-11-3
2944 586	5-20-17	2945 603	23-21-19	2946 488	9-16-6	2947 180	8-39-9	2949 035	7-11-3
2944 674-5	5-03-6	2945 608	23-21-3	2946 489	9-16-6	2947 181	8-14-9	2949 036	7-11-3
2944 676-7	5-03-6	2945 610	23-21-3	2946 490	9-16-6	2947 182	24-24-140	2949 037	7-11-3
2944 678-9	5-03-6	2945 615	23-18-37	2946 522	14-39-45	2947 185	23-58-543	2949 040	7-11-3
2944 680-1	5-03-6	2945 646	23-18-107	2946 526	14-39-45	2947 186	1-47-15	2949 043	7-11-3
2944 682-3	5-03-6	2945 655	23-64-12	2946 604	21-142-12	2947 187	23-54-170	2949 044	7-11-3
2944 684-5	5-03-6	2945 670-1	23-14-10	2946 609	21-142-12	2947 202	8-37-75	2949 045	7-11-3
2944 686-7	5-03-6	2945 679	23-47-433	2946 617	14-06-1	2947 208	23-33-135	2949 047	7-11-3
2944 688-9	5-03-6	2945 704	23-47-436	2946 619	14-24-6	2947 209	23-33-135	2949 049	7-11-3
2944 690-1	5-03-6	2945 730	23-06-28	2946 620	14-24-17	2947 211	1-47-15	2949 050	7-11-3
2944 692-3	5-20-15	2945 733	23-17-4	2946 621	14-24-1	2947 212	23-54-170	2949 052	7-11-3
2944 722-3	5-05-46	2945 734	23-18-26	2946 624	14-11-9	2947 213	23-58-543	2949 053	7-11-3
2944 822-3	22-03-1	2945 736-7	23-18-25	2946 636	14-06-1	2947 215	23-33-135	2949 054	7-11-3
2944 844	5-20-4	2945 780	23-18-5	2946 637	14-06-1	2947 216	8-40-5	2949 055	7-11-3
2945 018-9	15-19-2	2945 786	23-47-432	2946 638	14-06-10	2947 218	1-14-0	2949 058	7-11-3
2945 034-5	23-19-84	2945 792	23-47-430	2946 639	14-11-9		1-19-1	2949 059	7-11-3
2945 038-9	23-15-3	2945 795	23-47-432	2946 640	14-11-3	2947 219	1-12-1	2949 060	7-11-3
2945 048	23-54-107	2945 797	23-47-432	2946 641	14-14-12	2947 220	1-87-57	2949 062	7-11-3
2945 056	23-21-14	2945 798	23-47-432	2946 647	14-11-9	2947 223	1-87-57	2949 063	7-11-3
2945 065	23-54-142	2945 798-?	23-47-432	2946 648	14-11-18	2947 226	23-33-140	2949 065	7-11-3

PART NUMBER	CODE	PART NUMBER	CODE	PART NUMBER	CODE	PART NUMBER	CODE	PART NUMBER	CODE
2949 066	7-11-3	2950 051	21-30-418	2950 516	19-14-91	2951 161	7-03-1	2962 138	11-05-1
2949 067	7-11-3	2950 052	21-30-418		19-19-21	2951 176	7-04-10	2962 139	11-05-1
2949 068	7-11-3	2950 053	21-30-418	2950 517	19-14-85	2951 192	14-73-2	2962 148	11-09-3
2949 073	7-11-3	2950 054	21-30-2	2950 520	19-46-10	2951 196	19-54-115	2962 149	11-09-3
2949 075	7-11-3	2950 055	21-30-2	2950 521	19-14-89	2951 198	19-54-115	2962 170	11-05-1
2949 100	7-16-37	2950 056	21-30-2	2950 522	19-14-21	2951 202	7-03-1	2962 176	14-86-42
	7-26-37	2950 057	21-30-2	2950 532	19-14-82	2951 203	19-54-86	2963 137	1-48-141
2949 102	12-06-3	2950 060	21-30-407	2950 533	19-14-47	2951 207	19-54-86	2963 456	23-34-213
2949 104	7-33-1	2950 074	21-30-413	2950 534	19-14-1	2951 255	10-03-4	2963 458-9	23-34-212
2949 115	7-33-1	2950 076	6-38-1	2950 535	19-14-1	2951 257	19-54-115	2963 462-3	23-34-212
2949 129	7-08-2	2950 080	6-50-1	2950 536	19-14-1	2951 272	14-02-15	2963 470	8-55-23
2949 130	7-08-2	2950 082	6-38-1	2950 537	19-14-1	2951 278	7-03-1	2963 482-3	23-58-84
2949 136	7-16-61	2950 086	6-50-1	2950 538	19-14-1	2951 280	7-03-1	2963 487	23-32-19
	8-34-54	2950 088	6-35-15	2950 539	19-14-1	2951 296	8-28-35	2963 494	23-64-12
2949 163	7-17-13	2950 091	6-52-1	2950 540	19-14-1	2951 299	8-28-15	2963 496-7	23-63-21
	7-17-17	2950 096	6-52-1	2950 541	19-14-1	2951 304	7-03-1	2963 500	23-34-179
2949 164	8-14-9	2950 102	4-25-3	2950 542	19-15-4	2951 334	9-46-33	2963 502-3	23-19-82
2949 166	8-14-9	2950 115	4-25-20	2950 543	19-15-4	2951 347	8-36-124	2963 504-5	23-19-82
2949 168	8-14-2	2950 117	4-25-22	2950 544	19-15-4	2951 353	14-29-9	2963 638-9	23-34-245
2949 173	8-14-15	2950 132	19-15-4	2950 545	19-15-4	2951 355	14-29-8	2963 650-1	23-19-177
2949 174	8-14-1	2950 142	19-15-4	2950 546	19-15-4	2951 361	14-29-9	2963 662-3	23-34-246
2949 176	7-08-13	2950 146	21-30-11	2950 547	19-15-4	2951 362	14-29-9	2963 670-1	23-34-231
2949 187	8-14-17	2950 148	19-14-49	2950 548	19-14-21	2951 448	14-06-1	2963 677	23-54-2
2949 188	7-16-25	2950 150	19-14-36	2950 549	19-14-4	2951 452	14-11-9	2963 681	23-58-220
2949 190	8-34-50	2950 151	19-14-23	2950 551	19-46-3	2951 454	14-11-9	2963 682	23-64-12
2949 191	8-34-45	2950 171	19-14-23	2950 552	19-46-3	2951 455	14-25-11	2963 696-7	23-34-231
2949 194-5	15-03-64	2950 176	19-30-7	2950 553	19-46-3	2951 459	14-25-11	2963 845	14-39-45
2949 197	7-08-4	2950 182	8-33-39	2950 554	19-46-3	2951 471	14-06-1	2963 938-9	23-34-281
2949 198-9	15-03-73	2950 189	8-33-4	2950 555	19-46-3	2951 472	14-06-1	2963 970	23-64-314
2949 202-3	15-03-71	2950 196	8-33-6	2950 556	19-46-3	2951 473	14-06-1	2963 971	23-64-314
2949 204	8-34-291	2950 201	21-30-413	2950 557	19-46-3	2951 474	14-06-1	2963 972	23-63-112
2949 213	15-03-72	2950 203	19-48-1	2950 558	19-46-3	2951 504	9-01-24	2963 977	23-54-2
2949 222	15-03-63	2950 204	19-48-1	2950 559	19-14-4	2951 506	9-01-24	2963 995	23-34-329
2949 226	7-26-15	2950 205	21-30-416	2950 560	19-14-97	2951 508	9-01-24	2963 997	23-34-329
2949 228	12-02-7	2950 206	21-30-416	2950 562	21-30-11	2951 510	9-01-24	2963 999	13-72-7
2949 229	15-03-74	2950 207	21-30-2	2950 563	19-14-24	2951 513	9-01-24	2964 104-5	23-51-41
2949 233	15-03-67	2950 210	21-30-353	2950 564	19-14-22	2951 515	9-01-24	2964 122	23-63-172
2949 246-7	8-34-40	2950 211	21-30-418	2950 565	19-14-11	2951 517	9-01-24	2964 123	23-63-172
2949 250	15-09-4	2950 212	21-30-418	2950 566	19-14-85	2951 519	9-01-24	2964 124	23-63-172
2949 254	8-14-18	2950 213	21-30-6	2950 567	19-14-74	2951 521	9-01-24	2964 448-9	23-58-573
2949 264-5	12-06-3	2950 238	6-52-1	2950 568	19-14-74	2951 524	9-01-24	2964 450-1	23-58-573
2949 284-5	7-26-24	2950 251	6-52-1	2950 569	19-14-27	2951 526	9-01-24	2964 452-3	23-58-573
2949 288-9	7-26-37	2950 252	6-52-1	2950 570	19-14-27	2951 528	9-01-24	2964 547	23-34-222
2949 295	7-26-30	2950 271	6-52-10	2950 571	19-14-51	2951 530	9-01-24	2964 558-9	23-34-329
2949 297	7-26-30	2950 288	6-24-1	2950 575	8-33-20	2951 532	9-01-24	2964 575	23-34-329
2949 302	7-26-32	2950 289	5-27-2	2950 593	19-14-1	2951 534	8-36-4	2964 583	12-15-32
2949 303	7-16-61	2950 290	6-43-1	2950 594	19-14-1	2951 535	8-36-4		23-11-10
	7-17-1	2950 291	5-29-1	2950 595	19-14-1	2951 536	8-36-4		23-34-329
2949 305	7-16-14	2950 300	19-48-46	2950 596	19-14-1	2951 546	8-36-4	2964 590	23-34-193
2949 306-7	8-34-40	2950 312	4-25-10	2950 713	21-30-6	2951 589	9-64-35	2964 591	23-64-315
2949 311	7-16-14	2950 315	4-25-1	2950 715	21-30-10	2951 590	9-64-35	2964 592	23-64-315
2949 312	12-07-1	2950 318	4-25-14	2950 716	21-30-13	2951 592	9-64-36	2964 648	23-36-66
2949 322	7-08-2	2950 320	4-25-1	2950 717	21-30-7	2951 593	9-64-36	2964 704	23-34-213
2949 344-5	15-03-69	2950 360	19-14-1	2950 797	8-33-4	2951 594	9-64-37	2965 020	22-20-87
2949 352-3	7-17-17	2950 362	21-30-2	2950 808	21-30-24	2951 602	14-30-2	2965 021	22-20-87
2949 388	8-14-1	2950 363	19-46-3	2950 846	8-33-6	2951 614	7-03-1	2965 090-1	23-34-235
2949 389	15-11-7	2950 364	19-46-3	2950 871	19-48-1	2951 623	9-01-24	2965 092-3	23-64-213
2949 443	7-16-63	2950 369	19-15-4	2950 936	6-35-1	2951 626	9-59-13	2965 100-1	23-26-41
2949 535	7-26-30	2950 370	19-15-4	2951 010	7-46-1	2951 627	9-59-15	2965 104-5	23-63-21
2950 011	5-27-1	2950 371	19-15-4	2951 014	1-48-573	2951 640	8-28-36	2965 106-7	23-34-249
2950 013	5-27-1	2950 413	19-14-1	2951 015	8-28-36	2951 693	9-02-5	2965 118	23-32-93
2950 016	5-31-11	2950 414	19-14-1	2951 018	8-28-15	2951 694	9-02-5	2965 122-3	23-63-104
2950 018	5-27-1	2950 415	19-14-1	2951 020	7-04-5	2951 746	8-28-15	2965 124	23-64-12
2950 024	6-52-5	2950 419	19-46-3	2951 029	19-54-86	2951 749	8-28-15	2965 447	12-15-32
2950 025	6-52-4	2950 421	21-30-24	2951 075	19-54-115	2951 809	24-25-15		23-11-10
2950 026	6-46-1	2950 426	19-14-1	2951 092	7-06-14	2951 838	7-46-1		23-34-329
2950 037	19-48-1	2950 456	21-30-2	2951 122	7-06-1	2951 996	10-26-12	2965 544-5	23-34-20
2950 038	19-48-45	2950 457	21-30-2	2951 126	19-54-115	2957 957	23-33-135	2965 756	23-42-38
2950 039	19-48-45	2950 467	21-30-100	2951 128	19-54-86	2962 082	23-32-17	2965 758	23-63-133
2950 043	19-48-46	2950 495	8-33-4	2951 153	7-03-1	2962 118	11-10-3	2965 760-1	23-63-133
2950 044	19-48-46	2950 504	19-14-27	2951 154	8-28-15	2962 123-4	11-01-1	2965 762-3	23-63-136
2950 045	19-48-46	2950 506	19-14-27	2951 155	8-28-36	2962 125	11-01-1	2965 880-1	23-63-104
2950 049	19-48-1	2950 510	8-33-6	2951 157	19-54-86	2962 136	11-05-1	2965 928-9	23-64-311
2950 050	21-30-428	2950 513	19-14-4	2951 159	7-03-1	2962 137	11-05-1	2965 970-1	23-64-311

1969 PASSENGER CAR PARTS CATALOG

PART NUMBER	CODE	PART NUMBER	CODE	PART NUMBER	CODE	PART NUMBER	CODE	PART NUMBER	CODE
2965 980-1	23-09-9	2983 326	8-19-89	2996 454	21-30-413	2999 532-3	23-18-11	3004 512	9-34-5
2968 235	24-28-5	2983 351	8-15-4	2996 480	21-30-6	2999 534-5	23-18-11	3004 513	9-34-5
2968 247	24-28-5	2983 352	8-15-4	2996 559	16-02-1	2999 644	23-14-18	3004 514	9-34-5
2968 273	24-28-220	2983 360	8-15-54	2996 560	16-02-1		23-14-79	3004 515	9-34-5
2968 288	24-28-78	2983 361	8-19-3	2996 581	16-02-1	2999 646	23-14-53	3004 516	9-34-5
2968 290	24-28-347	2983 362	8-15-4	2996 604	16-02-1	2999 650	23-54-20	3004 517	9-34-5
2968 291	24-28-90	2983 399	8-19-3	2996 619	16-02-1	2999 660	23-18-25	3004 518	9-34-5
2968 292	24-28-90	2983 400	8-19-3	2996 621	16-02-1	2999 672	23-08-60	3004 519	9-34-5
2968 293	24-28-51	2983 414	8-34-282	2996 635	16-02-1	2999 682-3	23-41-4	3004 520	9-34-5
2968 316	24-28-8	2983 415	8-17-30	2996 789	19-46-59	2999 708	23-47-66	3004 521	9-34-5
2968 317	24-28-8	2983 416	8-19-3	2996 856	19-15-23	2999 709	23-47-75	3004 522	9-34-5
2968 318	24-28-98	2983 438	8-15-2	2996 857	19-15-23	2999 712	23-47-26	3004 523	9-34-5
2968 319	24-28-98	2983 443	23-54-178	2996 935	19-15-33	2999 713	23-47-75	3004 524	9-34-5
2968 320	24-28-98	2983 444	23-54-178	2996 951	16-02-1	2999 714	23-47-26	3004 525	9-34-5
2968 321	24-28-98	2983 478	8-55-57	2998 118	12-02-6	2999 721	23-08-60	3004 526	9-34-5
2968 326	24-28-70	2983 499	8-01-17	2998 196-7	7-16-11	2999 722	23-47-439	3004 527	9-34-5
2968 330	24-25-15	2983 512	8-15-2	2998 198-9	7-16-11	2999 725	23-47-55	3004 528	9-34-5
2968 331	24-26-20	2983 538	8-55-57	2998 410	15-03-78	2999 726	23-47-55	3004 529	9-34-5
2968 344	24-25-10	2983 634	8-15-32	2998 426-7	7-16-11	2999 735	23-18-5	3004 530	9-34-5
2968 361	24-27-5	2983 647	8-15-53	2998 428-9	8-34-40	2999 737	23-18-5	3004 531	9-34-5
2968 364	24-27-15	2983 658	8-19-3	2998 442-3	12-02-6	2999 759	23-18-5	3004 532	9-34-5
2983 010	23-67-82	2983 659	8-19-3	2998 452-3	15-03-76	2999 761	23-18-5	3004 533	9-34-5
2983 013	23-67-76	2983 660	8-19-3	2998 456	15-03-67	2999 775	23-47-6	3004 534	9-34-5
2983 014	23-67-200	2984 062	23-02-42	2998 461	15-03-76	2999 777	23-18-26	3004 535	9-34-5
2983 015	23-67-201	2984 068	8-37-316	2998 463	15-03-76	2999 779	23-18-26	3004 536	9-34-5
2983 016	23-67-104	2984 072	23-33-135	2998 499	7-16-22	2999 783	23-54-4	3004 537	9-34-5
2983 017	23-67-80	2984 073	23-33-135	2998 612	15-03-72	2999 790-1	23-18-107	3004 538	9-34-5
2983 031	23-67-82	2984 074	23-33-135	2998 842-3	12-01-105	2999 798	23-63-37	3004 539	9-34-5
2983 034	23-67-82	2984 075	1-87-22	2998 856	7-17-13	2999 808-9	15-19-2	3004 540	9-34-5
2983 054	23-67-247		23-33-135	2998 970	7-11-3	2999 861	23-48-21	3004 541	9-34-5
2983 068	23-67-260	2984 076	23-33-135	2999 001	23-21-74	2999 880	23-06-28	3004 545	21-138-2
2983 069	23-67-243	2984 077	23-33-135	2999 003	23-54-216	2999 911	15-11-5	3004 546	19-54-55
2983 086-7	23-67-5	2984 238	8-37-136	2999 016	23-17-2	2999 913	15-11-5	3004 547	5-63-1
2983 101	24-24-124	2984 245	8-37-136	2999 017	23-17-52	2999 924	23-17-2	3004 549	5-63-1
2983 104	1-87-404	2984 392	23-33-107	2999 022	23-21-14	2999 928-9	23-39-5	3004 564	19-54-55
2983 107	24-24-124	2984 475	23-02-18	2999 023	23-21-14	2999 962	23-54-4	3004 570	9-39-1
2983 110	1-87-404	2984 476	23-02-18	2999 030	1-67-3	2999 963	23-54-4	3004 571	9-35-1
2983 116	23-67-98	2984 477	23-02-30		23-49-9	2999 964	23-18-20	3004 572	9-35-1
2983 117	23-67-41	2984 517	23-02-18	2999 033	1-67-27	3000 008	8-29-98	3004 573	9-35-1
2983 129	1-87-404	2984 522	23-02-19	2999 039	23-17-1	3000 046	8-29-131	3004 574	9-58-1
2983 132	14-02-69	2984 525	23-02-18	2999 041	23-17-1	3000 047	8-29-131	3004 580	17-11-3
2983 138	24-24-124	2984 529	23-02-19	2999 053	23-49-11	3004 092	8-53-270	3004 581	17-11-3
2983 139	24-24-124	2984 539	23-21-26	2999 074	15-11-34	3004 105	8-53-327	3004 582	17-11-3
2983 142	23-54-178	2984 545	23-06-22	2999 091	15-11-34	3004 106	8-53-327	3004 583	17-11-3
2983 153	1-88-170	2984 546	23-33-140	2999 092-3	23-49-7	3004 107	14-73-1	3004 584	17-11-3
2983 155	1-87-404	2984 548	23-02-38	2999 094-5	23-49-7	3004 110	8-56-1	3004 585	17-11-3
2983 157	1-87-404	2984 552	23-02-29	2999 096-7	23-49-7	3004 113	8-53-270	3004 588	17-11-3
2983 160	8-01-17	2984 620	23-06-17	2999 102	1-67-3	3004 120	23-67-240	3004 589	17-12-4
2983 161	8-01-17	2984 633	8-37-386	2999 106-7	23-49-7	3004 121	23-67-252	3004 590	17-12-4
2983 175	8-15-53	2984 641	23-33-109	2999 115	23-21-19	3004 122	8-17-30	3004 592	17-11-3
2983 192	8-15-4	2984 642	23-33-109	2999 130	23-19-79	3004 123	23-41-106	3004 593	17-11-3
2983 193	8-15-4	2984 643	23-33-109	2999 185	23-18-29	3004 124	23-41-106	3004 594	17-11-3
2983 194	8-15-4	2984 744	8-37-90	2999 224	15-11-7	3004 125	23-41-106	3004 595	17-11-3
2983 199	8-15-4	2984 745	8-37-90	2999 235	23-64-282	3004 126	23-41-106	3004 596	17-11-3
2983 200	8-15-4	2984 746	8-37-90	2999 238	23-47-344	3004 150	8-50-334	3004 604	16-20-1
2983 201	8-15-4	2984 747	8-37-90	2999 239	23-47-344	3004 151	8-50-334	3004 605	16-20-1
2983 203	8-15-4	2984 748	8-37-90	2999 260-1	23-39-34	3004 152	8-50-334	3004 606	21-138-2
2983 204	8-15-4	2984 871	8-37-90	2999 326-7	23-41-106	3004 177	23-67-160	3004 607	21-138-2
2983 205	8-15-4	2984 887	8-37-1	2999 332-3	23-41-106	3004 183	8-50-175	3004 608	5-100-2
2983 206	8-15-4	2984 888	8-37-316	2999 334-5	23-41-106	3004 186	23-41-27	3004 614	21-01-3
2983 207	8-15-4	2984 890	8-37-372	2999 336-7	23-41-106		23-54-159	3004 615	9-01-5
2983 208	8-15-4	2984 891	8-37-372	2999 338-9	23-41-106	3004 190	8-20-9	3004 616	9-39-1
2983 209	8-15-4	2984 896	8-37-136	2999 344	15-19-8	3004 192	8-36-1	3004 621	1-42-1
2983 210	8-15-4	2984 903	8-41-41	2999 354-5	23-41-4	3004 500	5-63-1		5-100-1
2983 212	8-15-4	2996 161	16-02-1	2999 356	23-21-3	3004 502	9-34-5	3004 622	1-42-1
2983 219	8-19-3	2996 162	16-02-1	2999 357	23-21-3	3004 503	9-34-5		5-100-1
2983 220	8-19-3	2996 182	16-02-1	2999 358	23-21-58	3004 504	9-34-5	3004 625	5-105-1
2983 237	8-16-4	2996 195	16-02-1	2999 364	23-54-78	3004 505	9-34-5	3004 626	5-105-1
2983 241	8-55-57	2996 199	16-02-1	2997 365	23-41-34	3004 506	9-34-5	3004 639	9-10-5
2983 254	8-15-53	2996 215	16-02-1	2999 448	15-19-8	3004 507	9-34-5	3004 643	9-41-1
2983 255	8-15-53	2996 222	16-02-1	2999 506-7	23-18-13	3004 508	9-34-5	3004 644	9-41-1
2983 257	8-15-53	2996 227	16-02-1	2999 511	23-18-26	3004 509	9-34-5	3004 645	9-41-1
2983 258	8-15-4	2996 313	21-30-2	2999 524-5	23-14-27	3004 510	9-34-5	3004 646	9-41-1
2983 288	8-15-4	2996 343	16-02-1	2999 528-9	23-18-11	3004 511	9-34-5	3004 647	9-41-1

1969 PASSENGER CAR PARTS CATALOG

PART NUMBER	CODE	PART NUMBER	CODE	PART NUMBER	CODE	PART NUMBER	CODE	PART NUMBER	CODE
3004 648	9-41-1	3004 834	19-58-7	3404 042	11-09-3	3417 003	23-32-56	3419 655	14-45-4
3004 649	9-41-1	3004 835	19-58-7	3404 043	11-06-14	3417 004	23-32-56	3419 656	14-45-1
3004 650	9-41-1	3004 836	19-58-7	3404 301	5-62-1	3417 078-9	23-19-84	3419 657	14-35-43
3004 651	17-11-3	3004 839	9-01-5	3404 302	5-62-1	3417 080-1	23-19-84	3419 658	14-45-1
3004 652	17-11-3	3004 840	9-39-1	3404 466	14-86-35	3417 089	23-32-17		14-45-8
3004 653	17-11-3	3004 842	9-39-1	3404 467	14-86-32	3417 096	15-03-3	3419 659	14-54-140
3004 654	17-11-3	3004 851	5-03-3	3404 836	11-10-3	3417 098	15-03-3	3419 660	14-50-6
3004 655	17-11-3	3004 852	5-03-3	3404 850	11-10-3	3417 436	7-26-30	3419 661	14-54-3
3004 656	17-11-3	3004 853	5-03-3	3406 191	24-25-107	3417 437	7-26-30	3419 662	14-34-10
3004 657	17-11-3	3004 854	5-03-3	3408 425	24-25-107	3417 750	7-26-2	3419 663	14-30-29
3004 659	17-12-4	3004 858	5-03-3	3410 182	6-14-1	3417 751	7-26-2		14-34-21
3004 663	9-50-1	3004 859	5-03-3	3410 183	6-14-1	3418 248	19-54-86	3419 664	14-34-3
3004 664	9-58-1	3004 860	5-03-3	3410 184	6-14-1	3418 327	9-02-62		14-40-8
3004 665	9-09-2	3004 861	5-03-3	3410 193	21-03-1	3418 335	7-41-4	3419 665	14-38-4
3004 666	9-09-2	3004 864	5-05-45	3410 194	21-03-1	3418 336	7-41-4	3419 666	14-38-12
3004 667	9-09-2	3004 865	5-05-9	3410 208	9-45-1	3418 361	9-42-1	3419 667	14-45-1
3004 668	9-09-2	3004 867	1-42-1	3410 254	6-13-1	3418 362	9-42-1	3419 668	14-40-1
3004 669	9-09-2		5-100-1	3410 255	6-13-1	3418 376	9-03-5	3419 669	14-46-1
3004 670	9-09-2	3004 868-9	2-10-55	3410 300	21-14-1	3418 384	7-03-1	3419 670	14-35-45
3004 709	9-58-1	3004 870-1	2-10-55	3410 305	21-14-1	3418 385	7-03-1	3419 671	14-39-8
3004 710	19-14-35	3004 873	16-20-1	3410 319	21-139-101	3418 460	9-39-16	3419 672	14-40-7
3004 711	19-14-35	3004 876	22-01-5	3410 540	21-133-47	3418 475	9-39-5	3419 673	14-40-4
3004 714	9-59-13	3004 887	19-58-7	3410 607	21-02-1	3418 476	9-39-5		14-40-5
3004 716	9-43-1	3004 892	22-01-5		21-42-43	3418 477	9-39-5	3419 674	14-36-1
3004 717	9-43-1	3004 893	19-58-7	3410 608	21-02-1	3418 478	9-39-5	3419 675	14-36-29
3004 718	9-43-1	3004 894	9-09-2		21-42-43	3418 479	9-39-6	3419 676	14-40-18
3004 719	9-43-1	3004 895	9-09-2	3410 609	21-02-1	3418 480	9-39-6	3419 677	14-36-1
3004 725	9-01-5	3004 896	9-09-2		21-42-43	3418 481	9-39-6	3419 678	14-36-50
3004 726	9-39-1	3004 897	9-09-2	3410 610	21-02-1	3418 482	9-39-6	3419 679	14-36-15
3004 728-9	22-03-1	3004 898	9-09-2		21-42-43	3418 491	9-39-15	3419 680	14-50-8
3004 730-1	22-03-1	3004 899	9-09-2	3410 611	21-02-1	3418 899	14-11-40	3419 681	14-45-4
3004 732-3	22-03-1	3004 932	22-04-2	3410 612	21-02-1	3418 900	14-11-40	3419 682	14-45-5
3004 734-5	22-03-1	3004 939	5-03-3	3410 613	21-02-1	3418 930	19-54-115	3419 683	14-46-2
3004 736-7	22-03-1	3004 940	5-03-3	3410 614	21-02-1	3418 950	19-54-86	3419 684	14-50-6
3004 742	22-04-2	3004 941	5-03-1	3410 615	21-02-1	3419 000	7-03-1	3419 685	14-54-37
3004 744	22-04-2	3004 942	5-03-1	3410 671	21-02-1	3419 074	23-17-2	3419 686	14-50-13
3004 745	22-04-2	3004 943	5-03-1	3410 700	9-69-12	3419 075	23-17-4	3419 687	14-39-51
3004 756	22-01-5	3004 944	9-09-2	3410 965	21-118-40	3419 076	23-17-4	3419 688	14-30-31
3004 759	5-03-3	3004 945	9-09-2	3412 055	15-03-3	3419 077	23-17-4		14-40-1
3004 763	7-42-1	3004 946	9-09-2	3412 056	15-03-3	3419 134-5	23-09-51	3419 689	14-45-12
3004 766	17-11-3	3004 947	9-09-2		15-03-64	3419 136-7	23-09-51	3419 690	14-38-12
3004 767	17-11-3	3004 948	9-09-2	3412 059	8-27-97	3419 138-9	23-09-51	3419 691	14-45-4
3004 777	17-23-3	3004 949	9-09-2	3412 154	23-19-8	3419 209	23-18-27	3419 692	14-38-12
3004 778	17-23-3	3004 958	17-23-3	3412 156	23-19-84	3419 286	14-50-13	3419 693	14-38-4
3004 787	2-07-1	3004 959	17-23-3	3412 161	23-64-314	3419 314	23-40-155	3419 694	14-36-15
3004 788-9	2-07-1	3004 960	17-23-3	3412 162	23-34-301	3419 315	23-40-187	3419 946-7	23-64-299
3004 790	2-07-1	3004 961	17-23-3	3412 164	23-63-172	3419 323	1-74-2	3419 959	23-66-75
3004 791	2-07-1	3004 973	22-03-1	3412 165	23-19-181	3419 350-1	23-64-242	3420 001	1-42-1
3004 794	2-07-1	3004 974	22-03-1	3412 166-7	23-64-67	3419 382	1-74-1		5-100-1
3004 795	2-07-1	3004 975	5-03-3	3412 168	23-64-67	3419 426-7	23-64-299	3420 002	5-39-1
3004 799	19-54-2	3004 976	5-03-3	3412 169	23-64-67	3419 501	14-50-25	3420 021	5-58-1
3004 800	19-54-2	3004 978	5-03-3	3412 170	23-64-67	3419 502	14-30-7	3420 022	5-58-1
3004 801	19-54-2	3004 979	5-03-3	3412 171	23-59-37	3419 503	14-30-4	3420 023	21-136-232
3004 804	19-27-45	3004 982	5-03-3	3412 179	23-20-14	3419 504	14-43-5	3420 025	6-17-3
3004 805	19-27-45	3004 986	3-04-6	3412 180	23-20-14	3419 505	14-50-13	3420 027	9-50-1
3004 807	19-27-2	3004 987	22-01-5	3412 192	23-52-1	3419 507	14-35-39	3420 028	9-39-1
3004 809	19-27-2	3004 988	22-01-5	3412 318-9	22-03-1	3419 508	14-39-7	3420 030	9-39-1
3004 810	19-27-2	3004 989	22-01-5	3412 320	5-05-16	3419 510	14-35-39	3420 032	9-01-5
3004 811	19-27-2	3004 991	7-42-1	3412 451-2	5-05-1	3419 512	14-35-39	3420 039	9-41-1
3004 812	19-27-2	3004 992	19-02-4	3412 459	8-27-99	3419 515	14-39-7	3420 040	9-41-1
3004 813	19-27-2	3004 995	19-19-1	3412 529	23-19-107	3419 584	14-39-7	3420 041	9-41-1
3004 814	7-42-4	3004 996	19-01-4	3412 549	23-34-308	3419 588	14-43-5	3420 042	9-41-1
3004 815	7-42-4	3004 997	19-01-4	3412 550	23-34-308	3419 591	14-43-5	3420 077	21-133-7
3004 816	2-03-3	3004 998	19-01-4	3412 551	23-34-308	3419 592	14-35-1	3420 079	21-14-19
3004 817-8	2-10-55	3400 566	17-19-3	3412 552	23-34-308	3419 620	14-39-7	3420 101	4-23-1
3004 822	17-16-1	3400 568	17-19-3	3412 553	23-34-308	3419 621	14-39-7	3420 102	4-23-1
3004 823	17-16-1	3400 587	17-23-3	3412 554	23-34-308	3419 623	14-35-33	3420 106	17-11-3
3004 824	17-16-1	3403 226	8-56-1	3412 555	23-34-308	3419 649	14-39-1	3420 107	17-11-3
3004 825	17-16-1	3404 001	11-09-3	3412 556	23-34-308	3419 650	14-39-6	3420 108	17-11-3
3004 826	17-16-1	3404 002	11-09-3	3412 557	23-34-308	3419 651	14-35-43	3420 112	17-11-3
3004 827	17-16-1	3404 003	11-09-3	3412 558	23-34-308	3419 652	14-35-43	3420 114	17-11-3
3004 828	5-03-3	3404 004	11-09-3	3412 567	23-34-301	3419 653	14-54-78	3420 115	17-11-3
3004 829	5-100-2	3404 011-2	11-09-3	3412 572	23-64-67	3419 654	14-38-5	3420 116	17-11-3
3004 833	19-58-7	3404 013-4	11-09-3	3412 581	7-16-11		14-54-15	3420 117	5-39-1

1969 PASSENGER CAR PARTS CATALOG

PART NUMBER	CODE	PART NUMBER	CODE	PART NUMBER	CODE	PART NUMBER	CODE	PART NUMBER	CODE
3420 120	5-39-1	3420 394	14-36-53	3420 460	14-38-13	3432 324	3-22-28	3454 234-5	23-18-25
3420 129	5-105-1	3420 397	14-38-4	3420 461	14-38-50	3432 325	3-22-28	3454 258	23-54-72
3420 228	9-35-1	3420 398	14-38-4	3420 462	14-38-28	3432 326	3-22-28	3454 336	23-14-147
3420 229	9-35-1	3420 399	14-38-12	3420 463	14-39-28	3432 327	3-22-28	3454 338-9	23-14-10
3420 230	9-35-1	3420 400	14-38-12		14-45-1	3432 328	3-22-28	3454 352	23-54-140
3420 231	9-01-5	3420 401	14-38-14	3420 464	14-45-5	3432 329	3-22-28	3454 386-7	23-47-6
3420 252	14-38-12	3420 402	14-39-1	3420 465	14-41-8	3432 330	3-22-28	3454 390-1	23-14-10
3420 255	14-54-15	3420 403	14-38-4	3420 466	14-38-5	3432 332	3-22-28	3454 393	23-14-10
	14-54-16	3420 404	14-37-4		14-39-8	3432 334	3-22-28	3454 394-5	23-14-10
3420 256	14-54-3		14-37-15	3420 470	14-37-29	3432 338	3-22-28	3454 463	23-18-11
3420 259	14-41-35	3420 405	14-37-4	3420 471	14-39-31	3432 614	3-03-1	3454 480	23-54-6
3420 261	14-38-5	3420 406	14-37-15	3420 472	14-54-6	3432 619	3-19-1	3454 488-9	23-18-107
3420 265	14-54-50	3420 407	14-38-12	3420 473	14-40-7	3432 620	3-19-1	3454 492	23-54-6
3420 268	14-39-56	3420 408	14-39-30		14-45-27	3432 621	3-19-1	3454 555	23-47-15
3420 296	14-35-6	3420 409	14-39-10	3420 474	14-54-51	3432 622	3-19-1	3454 596-7	23-18-26
3420 301	14-39-29	3420 410	14-39-1	3420 475	14-39-51	3432 688	3-02-1	3456 081	23-66-75
3420 306	14-41-34	3420 411	14-39-10	3420 476	14-38-20	3432 780	3-32-1	3461 660	5-20-20
3420 311	14-39-30	3420 412	14-41-30		14-39-56	3439 001	23-64-276	3461 662	5-20-10
3420 317	14-40-18		14-41-40	3420 477	14-39-57	3439 028	23-61-117	3461 663	5-20-10
3420 321	14-41-10	3420 413	14-30-29	3420 478	14-43-3	3439 137	23-64-74	3461 664	5-20-10
3420 324	14-30-16	3420 414	14-34-21	3420 479	14-34-63	3439 142-3	23-64-48		5-20-11
3420 336	14-39-1	3420 415	14-40-1	3420 480	14-34-63	3439 144-5	23-64-48	3461 665	5-20-9
3420 337	14-39-10	3420 416	14-40-4	3420 481	14-45-4	3439 146-7	23-64-48	3461 698-9	4-26-3
3420 338	14-45-3	3420 417	14-45-20	3420 482	14-40-35	3439 148-9	23-63-127	3462 038	9-15-1
3420 339	14-39-9	3420 418	14-35-3	3420 483	14-38-27	3439 152-3	23-63-14	3462 416	10-03-7
3420 340	14-54-36	3420 419	14-40-23	3420 484	14-38-27	3439 155	23-54-28	3462 426	9-31-4
3420 341	14-54-78	3420 420	14-38-53	3420 485	14-30-3	3439 166	23-48-93	3462 881	8-28-15
3420 342	14-38-3	3420 421	14-38-14	3420 486	14-30-3	3439 186-7	23-34-235	3467 116	21-30-416
3420 343	14-35-18	3420 422	14-30-3	3420 558	1-87-1	3439 282	23-63-171	3467 166	16-02-1
3420 344	14-45-8	3420 423	14-30-3	3420 559	1-87-1	3439 324	23-49-9	3478 005	8-50-184
3420 345	14-54-43	3420 424	14-36-15	3420 560	1-87-1	3440 301	23-64-266	3481 051	14-54-6
3420 346	14-35-19	3420 425	14-36-1	3420 561	8-27-292	3440 317	23-54-103	3481 052	14-39-60
	14-38-19	3420 426	14-36-1	3420 562	8-34-8	3440 428-9	23-64-14	3481 054	14-45-4
3420 347	14-38-5	3420 427	14-43-10	3420 564	14-02-1	3440 672	23-63-37	3481 055	14-38-12
3420 348	14-54-78	3420 428	14-35-38	3420 565	14-02-1	3440 730	23-31-33	3481 056	14-40-1
3420 349	14-35-43	3420 429	14-36-50	3420 566	14-02-1	3441 005	1-47-6	3481 057	14-30-3
3420 350	14-34-17		14-38-20	3420 568	14-02-18	3441 018	24-26-100	3481 058	14-30-3
3420 351	14-34-15	3420 430	14-36-50	3420 569	14-02-18	3441 060	24-01-70	3481 059	14-30-3
3420 357	14-38-4	3420 431	14-36-50	3420 570	14-02-18	3441 162	24-01-18	3481 060	14-30-3
3420 358	14-38-4	3420 432	14-36-22	3420 571	21-30-23	3441 171	24-01-18	3481 061	14-45-4
3420 359	14-33-1	3420 433	14-39-27	3420 572	21-30-23	3441 172	24-28-22	3481 062	14-38-4
3420 361	14-44-10	3420 434	14-43-4	3420 573	21-30-23	3441 173	24-28-22	3481 063	14-37-15
3420 362	14-45-1	3420 435	14-43-4	3420 574	21-30-23	3441 176	24-28-29	3481 064	14-30-3
3420 364	14-40-1	3420 436	14-45-12	3420 600	8-27-190	3441 182	1-48-141	3481 065	14-30-3
3420 365	14-41-25	3420 437	14-39-15	3420 601	8-14-9	3441 235	24-28-318	3481 066	14-30-3
3420 366	14-35-3	3420 438	14-54-5	3420 606	8-14-9	3441 245	24-26-20	3481 067	14-30-3
3420 367	14-44-12	3420 439	14-45-25	3420 607	8-14-9	3444 172-3	23-63-55	3481 068	14-40-1
3420 368	14-39-56	3420 440	14-35-10	3420 614	1-48-46	3444 208-9	23-34-27	3481 069	14-45-4
3420 369	14-39-11	3420 441	14-45-8	3420 652	14-38-12	3444 228-9	23-63-33	3481 070	14-38-12
3420 370	14-46-3	3420 442	14-39-15	3420 870	23-67-164	3444 230-1	23-63-33	3481 071	14-38-12
3420 371	14-35-39	3420 443	14-39-27	3420 871	23-67-10	3444 406-7	23-63-134	3481 072	14-38-12
3420 372	14-40-7		14-54-72	3420 895	8-27-205	3444 418-9	23-34-235	3481 073	14-38-14
3420 373	14-40-7		14-54-78	3420 918	23-67-164	3444 420-1	23-34-235	3481 074	14-37-15
3420 374	14-35-39		14-54-140	3420 919	8-27-308	3444 468-9	23-34-242	3481 075	14-37-15
3420 375	14-46-4	3420 444	14-54-140	3420 920	8-27-250	3444 574	23-34-166	3481 076	14-37-21
3420 376	14-36-53	3420 445	14-38-5	3420 921	8-27-250	3444 714-5	23-34-329	3481 077	14-37-4
	14-39-56	3420 446	14-38-5	3422 462	8-33-121	3444 788-9	23-34-329	3481 078	14-37-9
3420 377	14-36-50	3420 447	14-39-9	3429 477	14-39-57	3445 241	23-64-1	3481 079	14-40-1
3420 378	14-36-1	3420 448	14-32-15	3431 004-5	23-67-246		23-66-75	3481 080	14-37-49
3420 379	14-36-53	3420 449	14-45-25	3431 009	23-67-241	3445 456-7	23-34-234	3481 081	14-37-49
3420 380	14-36-29	3420 450	14-38-5	3431 017	24-24-150	3445 466-7	23-34-27	3481 082	14-35-3
3420 381	14-45-4		14-54-15	3431 019	24-24-150	3445 468-9	23-34-27	3481 083	14-38-53
3420 382	14-46-5		14-54-16	3431 020	24-24-150	3445 810	13-66-116	3481 084	14-30-3
3420 383	14-39-28	3420 451	14-54-148	3431 026	8-34-280	3445 811	13-66-116	3481 085	14-30-3
3420 384	14-38-28	3420 452	14-54-42	3431 028	23-67-265	3446 198-9	23-40-85	3481 086	14-30-3
3420 385	14-44-11		14-54-47	3431 029	23-67-5	3446 432-3	23-34-244	3481 087	14-30-3
3420 386	14-38-36	3420 453	14-37-27	3431 031	23-67-267	3454 002	23-18-20	3481 088	14-36-15
3420 387	14-46-6	3420 454	14-37-27	3431 058	23-67-252	3454 102	23-58-262	3481 089	14-36-22
3420 388	14-46-7	3420 455	14-50-8	3432 217	3-19-1	3454 110	23-14-10	3481 090	14-43-4
3420 389	14-30-31	3420 456	14-41-9	3432 219	3-03-1	3454 112-3	23-14-10	3481 091	14-54-72
3420 390	14-41-22	3420 457	14-39-6	3432 320	3-22-28	3454 220	23-18-29	3481 092	14-32-15
3420 391	14-35-26	3420 458	14-38-13	3432 321	3-22-28	3454 221	23-18-29	3481 093	14-54-47
3420 392	14-35-25	3420 459	14-50-27	3432 322	3-22-28	3454 230	23-64-269	3481 094	14-54-72
3420 393	14-45-14		14-50-29	3432 323	3-22-28	3454 231	23-64-197	3481 095	14-54-6

PART NUMBER	CODE	PART NUMBER	CODE	PART NUMBER	CODE	PART NUMBER	CODE	PART NUMBER	CODE
3481 096	14-38-13		14-39-28	3481 317	14-39-28	6012 072	6-24-1	6023 215	8-31-11
3481 097	14-38-13	3481 220	14-37-29	3481 318	14-35-42	6014 023	8-55-161	6023 253	8-32-18
3481 100	14-37-29		14-37-30	3481 319	14-34-5	6015 143	1-48-374	6023 285	14-11-39
3481 151	14-38-12	3481 221	14-34-2	3481 323	14-43-3		1-48-941		14-11-40
3481 152	14-38-12	3481 222	14-34-4	3481 324	14-45-4		15-03-63		14-25-12
3481 153	14-38-12	3481 223	14-44-1	3481 325	14-45-20	6015 149	8-01-7	6023 293	2-10-6
3481 154	14-39-1	3481 224	14-54-42	3481 327	14-45-7		23-67-260		2-10-7
3481 155	14-37-4	3481 225	14-44-3	3481 328	14-41-9	6015 288	8-15-32	6023 343	21-139-74
	14-37-15	3481 226	14-39-51	3481 329	14-45-5		8-34-128	6023 353	9-67-4
3481 156	14-39-10	3481 227	14-41-11	3481 330	14-54-51	6015 377	8-19-24		9-71-5
3481 157	14-39-10	3481 228	14-43-3	3481 331	14-34-63	6015 636	8-01-7		13-10-1
3481 158	14-39-68	3481 229	14-45-4	3481 332	14-54-152	6017 029	19-48-1	6023 355	21-119-3
3481 159	14-39-6	3481 230	14-54-72	3481 335	14-36-1		19-48-16	6023 394	8-28-38
3481 161	14-37-49		14-54-78	3481 529	14-38-4		21-30-418	6023 397	14-88-27
3481 162	14-35-3		14-54-140	3481 530	14-38-12	6022 006	8-52-100	6023 411	8-11-21
3481 163	14-38-13	3481 231	14-38-28	3481 531	14-39-10	6022 086	13-66-2	6023 481	8-14-11
3481 164	14-40-23	3481 232	14-38-4	3481 532	14-39-10	6022 185	8-35-4	6023 514	21-04-1
3481 165	14-30-3	3481 233	14-35-3	3481 533	14-39-3		9-48-7	6023 517	8-28-292
3481 166	14-30-3	3481 234	14-36-2	3481 534	14-40-1		23-48-109	6023 523	13-36-5
3481 167	14-30-3	3481 235	14-36-15	3481 535	14-36-1	6022 187	23-48-109	6023 540	22-20-87
3481 168	14-30-3	3481 236	14-34-2	3481 536	14-45-25	6022 190	19-54-115	6023 541	8-58-60
3481 169	14-45-11		14-41-5	3481 537	14-45-1		21-30-407	6023 546	23-09-9
3481 170	14-39-52	3481 237	14-44-1	3481 538	14-37-27	6022 274	23-64-242		23-09-52
3481 171	14-39-47	3481 238	14-44-3	3481 539	14-39-28	6022 381	8-15-33		23-09-58
3481 172	14-39-60	3481 247	14-36-1	3481 540	14-35-42		8-29-130	6023 548	14-73-1
3481 173	14-39-60	3481 248	14-36-2	3481 541	14-45-4	6022 582	9-03-28	6023 553	23-09-9
3481 174	14-45-20		14-36-10	3481 542	14-54-19	6022 777	13-33-61	6023 576	23-15-9
3481 175	14-45-25	3481 269	14-38-4	3481 544	14-39-50	6022 816	21-05-19	6023 587	9-43-3
3481 176	14-37-27	3481 270	14-38-12	3481 545	14-39-3	6022 817	21-138-7	6023 647	23-14-53
3481 177	14-50-29	3481 271	14-39-1	3481 623	14-41-3	6022 834	6-52-7	6023 899	8-52-5
3481 178	14-39-28	3481 272	14-39-6	3481 688	14-30-4	6022 838	11-10-18	6023 925	8-47-15
3481 179	14-45-5	3481 273	14-39-6		14-40-35		14-14-12	6023 932	2-10-74
3481 182	14-54-51		14-39-10	3481 956	23-54-4	6022 891	23-15-9	6023 943	21-118-40
3481 183	14-39-56	3481 274	14-40-1	3482 191	14-38-12	6022 895	13-33-61		21-118-55
3481 184	14-39-54	3481 275	14-41-9	3491 296	17-15-1	6022 916	8-50-299	6023 997	4-23-6
3481 185	14-39-58	3481 276	14-36-1	3508 002-3	23-18-37	6022 983	1-48-90	6024 010	1-48-374
3481 186	14-45-4	3481 277	14-40-5	3508 042-3	23-18-37	6022 989	23-58-606	6024 023	9-67-4
3481 187	14-39-84	3481 278	14-41-13	3512 036	9-07-5	6023 019	17-15-6		9-71-5
3481 188	14-39-50	3481 279	14-54-42	3512 621	9-01-24		17-17-5	6024 064	14-02-32
3481 189	14-39-6		14-54-47	3514 649	17-29-41	6023 021	2-10-63	6024 072	23-54-4
3481 190	14-38-4	3481 280	14-54-78	3514 850	14-34-3	6023 036	19-14-21	6024 125	21-19-15
3481 191	14-38-12	3481 281	14-45-25	3514 851	14-34-10	6023 045	19-14-4	6024 130	21-17-7
3481 192	14-39-1	3481 282	14-45-8	3514 964	17-11-3	6023 046	21-30-100	6024 131	21-14-1
3481 193	14-37-6	3481 283	14-54-152	3514 995	19-15-1	6023 050	9-64-24		21-14-20
3481 194	14-37-25	3481 284	14-37-27	3514 996	19-15-1		9-67-4	6024 179	8-47-14
3481 195	14-37-4	3481 285	14-39-31	3801 363	21-134-9		9-71-5	6024 244	8-52-144
3481 196	14-39-10	3481 286	14-38-28	3841 187	14-39-84		21-30-407	6024 246	9-23-5
3481 197	14-39-6	3481 287	14-39-28	6000 305	8-53-305	6023 053	9-15-10	6024 271	23-59-57
3481 198	14-34-13	3481 288	14-39-28		23-39-12	6023 054	9-67-4	6024 311	21-05-19
	14-34-14	3481 289	14-37-29		23-54-72	6023 085	19-48-45	6024 312	21-05-19
3481 199	14-30-29	3481 290	14-35-42	6000 319	23-58-607	6023 086	19-48-45	6024 318	9-46-8
	14-34-21	3481 292	14-34-2	6000 374	23-64-242	6023 088	19-14-23	6024 323	11-10-17
3481 200	14-40-1	3481 293	14-34-71	6000 594	23-19-178	6023 092	9-46-33	6024 333	19-14-4
3481 201	14-40-4	3481 294	14-39-51	6001 419	8-15-25		10-24-30	6024 343	11-06-3
3481 202	14-41-12	3481 295	14-43-3	6001 798	15-03-60		21-03-6	6024 403	8-56-41
3481 203	14-35-3	3481 296	14-45-4	6002 186	23-22-53		23-54-218	6024 439	23-45-63
3481 204	14-41-9	3481 297	14-38-12	6002 330	23-22-86	6023 111	8-55-9	6024 440	23-45-57
3481 205	14-36-1	3481 298	14-54-152	6002 369	23-22-53		8-55-161	6024 457	21-29-3
3481 206	14-36-2	3481 299	14-38-28	6002 620	23-26-41	6023 112	8-29-194	6024 552	21-30-416
3481 207	14-36-15	3481 300	14-45-4	6002 665	23-23-11	6023 118	9-48-7	6024 554	21-30-416
3481 208	14-36-19	3481 301	14-38-12	6002 706	13-64-26	6023 143	21-03-23	6024 560	14-39-45
	14-45-25	3481 302	14-54-152		13-64-29	6023 166	8-34-5	6024 577	8-55-10
3481 209	14-40-5	3481 304	14-38-12	6002 809	13-64-32	6023 167	13-35-1	6024 579	8-55-10
3481 210	14-45-25	3481 305	14-38-4	6006 043	23-15-9	6023 168	9-46-31		8-55-159
3481 211	14-54-34	3481 307	14-38-4	6006 120	8-21-1	6023 171	13-33-61		8-56-41
	14-54-72	3481 308	14-38-12		8-28-74	6023 187	21-03-23	6024 588	23-54-73
3481 212	14-54-47	3481 309	14-39-1		8-33-164	6023 202	8-55-9	6024 612	8-28-38
3481 213	14-54-72	3481 310	14-39-6		8-35-52	6023 203	8-55-9	6024 613	8-28-292
3481 214	14-54-148	3481 311	14-40-1		8-52-328	6023 204	8-47-8	6024 629	8-50-129
3481 215	14-45-25	3481 312	14-41-9	6006 324	8-47-77		8-47-68	6024 654	8-37-188
3481 216	14-45-1	3481 313	14-36-15	6008 055	1-87-17		8-55-9		8-53-150
3481 217	14-54-28	3481 314	14-54-47	6008 060	8-42-12		13-64-26		8-53-270
3481 218	14-39-28	3481 315	14-54-148		23-58-533		13-66-46	6024 657	2-10-63
3481 219	14-34-5	3481 316	14-38-28	6008 145	1-48-258	6023 214	23-67-25		17-23-57

1969 PASSENGER CAR PARTS CATALOG

PART NUMBER	CODE	PART NUMBER	CODE	PART NUMBER	CODE	PART NUMBER	CODE	PART NUMBER	CODE
6024 666	21-134-9	6025 759	9-48-7	6026 751	5-05-2	6027 299	11-06-3	6027 973	13-66-2
6024 699	8-53-150	6025 772	8-34-96	6026 755	15-11-5	6027 312	23-49-1	6027 976	21-30-23
6024 803	2-10-63	6025 803	8-50-292	6026 756	23-09-23	6027 317	8-28-292		21-30-24
6024 845	9-03-28	6025 827	23-64-28	6026 757	21-09-23	6027 323	16-20-3	6027 983	14-14-20
6024 862	21-03-23	6025 850	23-39-29	6026 776	14-11-40	6027 330	23-45-57	6027 991	8-28-74
6024 863	21-03-23	6025 855	13-66-15	6026 794	9-03-10	6027 331	9-62-2	6027 995	8-28-38
6024 864	21-03-23	6025 857	21-139-49	6026 798	9-03-10	6027 335	9-10-19	6028 001	13-64-26
6024 871	23-10-1		21-139-98	6026 805	13-66-15	6027 336	9-36-7	6028 003	8-41-41
	23-15-9	6025 867	14-13-3	6026 818	8-55-159	6027 344	23-64-240	6028 004	8-41-41
6024 888	23-54-56	6025 875	23-58-603	6026 822	13-33-61	6027 350	23-18-103	6028 005	8-41-41
6024 895	8-53-301	6025 879	23-54-165	6026 823	13-33-61	6027 353	8-34-96	6028 006	8-57-11
6024 904	19-31-1	6025 892	23-15-9	6026 832	13-64-5	6027 357	8-55-10	6028 012	8-41-41
6024 953	8-34-96	6025 895	23-54-165	6026 839	23-19-94	6027 369	23-14-10	6028 023	9-48-43
6024 972	23-48-109	6025 909	8-34-96	6026 860	5-58-13	6027 370	21-30-11	6028 024	6-46-1
6024 973	23-48-109	6025 936	8-55-10	6026 873	19-25-14	6027 372	23-64-197		21-84-1
6025 002	4-25-22	6025 972	8-34-96	6026 874	21-29-3	6027 381	2-10-58	6028 034	21-42-23
	8-55-9	6025 974	8-34-96	6026 884	21-04-8	6027 382	8-34-96	6028 045	3-08-1
6025 004	1-48-611	6025 994	4-23-24	6026 887	5-52-4	6027 391	21-139-147	6028 050	19-30-18
	8-34-115	6026 005	2-09-8	6026 888	5-52-4	6027 402	19-14-35	6028 051	19-30-18
6025 012	13-66-15	6026 031	2-10-63	6026 904	19-14-35	6027 403	19-31-1	6028 062	13-64-26
6025 031	9-36-7	6026 059	19-48-46	6026 911	23-21-8		8-33-114	6028 098	9-15-6
6025 050	14-11-40	6026 067	23-54-6	6026 912	8-35-52	6027 404	19-14-35	6028 142	8-28-74
6025 063	19-19-24	6026 132	21-30-6	6026 919	8-01-23		19-31-1	6028 145	8-15-3
	19-54-115	6026 140	9-03-10		8-35-52	6027 409	23-54-4	6028 164	8-55-9
6025 071	6-24-1	6026 141	9-03-10	6026 958	13-64-13	6027 412	3-03-26	6028 176	13-64-13
	14-26-11	6026 147	1-48-151	6026 968	9-67-4		3-03-31	6028 191	19-01-8
	19-48-1	6026 218	15-03-64	6026 972	23-54-20	6027 428	8-55-9	6028 192	19-01-8
	19-48-23	6026 273	9-48-7	6026 976	23-54-4	6027 435	8-34-96	6028 193	19-01-8
	21-30-418	6026 275	19-14-1	6026 977	23-54-4	6027 455	8-14-23	6028 237	9-71-5
	21-42-23	6026 278	21-134-40	6026 984	23-54-56	6027 467	19-48-1	6028 239	8-34-96
6025 128	15-09-4	6026 289	21-05-19	6026 994	9-48-7		21-30-418	6028 247	5-05-2
6025 134	23-08-60	6026 290	21-05-19	6027 012	8-34-5		21-30-428	6028 248	5-05-2
6025 160	23-18-101	6026 291	21-05-19	6027 133	8-28-38	6027 471	23-09-58	6028 251	13-64-13
6025 196	23-17-72	6026 336	23-17-72	6027 135	8-28-38		23-09-64	6028 262	9-71-5
6025 198	23-17-72	6026 350	23-45-185		9-48-6		23-64-272	6028 307	23-61-117
6025 215	8-28-38	6026 354	8-20-23	6027 141	23-45-185	6027 473	1-48-599	6028 465	17-23-57
	8-28-292	6026 361	23-08-60	6027 153	21-137-47	6027 475	8-55-10	6028 548	13-64-26
6025 287	4-25-17	6026 390	21-117-1	6027 155	14-25-13	6027 476	23-54-4	9408 948	19-57-3
6025 295	13-66-15	6026 394	8-15-3	6027 161	23-14-10	6027 489	8-14-1	9409 633	23-14-53
6025 304	15-11-5	6026 429	9-48-7	6027 170	13-66-15	6027 513	9-02-50	9409 639	23-64-242
6025 329	8-34-96	6026 430	22-04-14	6027 171	13-66-15	6027 516	8-34-96	9412 281	23-45-185
	19-31-7	6026 435	19-15-23	6027 175	8-19-18	6027 517	8-34-96	9412 348	8-44-1
6025 333	23-32-31	6026 436	5-52-4	6027 176	8-34-96	6027 517	8-34-96	9413 197	19-48-48
6025 338	24-26-35	6026 456	11-10-3	6027 178	8-34-96	6027 528	23-54-6	9413 313	9-10-19
6025 346	4-25-1	6026 483	2-03-3	6027 180	23-54-216	6027 538	23-64-40	9414 469	9-48-7
6025 393	8-01-23	6026 489	13-10-1	6027 183	5-58-1	6027 549	23-54-165	9414 598	14-24-6
6025 413	23-67-98	6026 516	15-03-5		14-86-40	6027 551	23-54-11	9414 711	15-11-5
6025 502	8-11-11	6026 530	23-64-299	6027 185	19-01-8	6027 553	23-54-11		23-04-205
6025 504	1-88-126	6026 539	7-43-18	6027 186	2-10-74	6027 559	5-20-18		23-06-46
6025 507	8-34-5	6026 544	13-66-15	6027 201	23-14-27	6027 601	8-56-41	9414 722	1-48-94
	9-46-33	6026 561	8-55-10	6027 207	9-48-7	6027 605	5-13-9	9414 723	15-11-5
	13-64-5	6026 564	23-64-282	6027 213	8-34-96	6027 607	8-50-303	9414 732	23-04-205
6025 508	11-10-3	6026 579	13-66-15	6027 22	23-14-18	6027 608	8-34-280	9414 742	23-08-12
6025 510	8-34-5	6026 634	8-34-5		23-14-53	6027 617	8-28-14	9414 753	23-22-86
6025 523	2-10-63	6026 647	13-66-15		23-14-79	6027 618	8-28-292	9414 764	23-21-14
6025 528	9-46-8		22-04-14	6027 223	5-58-1	6027 624	13-64-150	9414 767	23-21-14
6025 558	13-11-17	6026 648	3-32-1	6027 224	19-02-4	6027 625	8-55-9	9415 537	21-30-413
	13-64-5		13-66-2	6027 225	21-09-23		8-55-161		23-54-221
6025 570	21-05-8		13-66-15	6027 229	21-19-15	6027 630	8-56-4	9415 920	23-67-25
6025 571	21-03-23	6026 654	23-45-185	6027 232	8-34-96	6027 635	8-11-11	9415 921	23-06-15
6025 668	21-05-8	6026 656	19-54-86	6027 242	8-53-270	6027 635	2-03-3	9415 969	8-44-1
6025 670	23-18-115	6026 687	23-36-134	6027 245	8-27-121	6027 776	19-27-31	9416 049	19-30-7
6025 671	19-30-18	6026 697	14-13-3	6027 252	21-03-23	6027 777	19-27-31		23-06-15
6025 677	9-71-5	6026 698	8-55-10	6027 254	8-50-303	6027 925	23-54-4	9416 107	2-10-10
6025 700	9-48-7	6026 705	2-03-3	6027 264	9-10-19	6027 944	8-14-11	9416 136	15-03-63
6025 724	23-48-109	6026 715	8-28-14	6027 269	23-26-84	6027 947	19-14-35	9416 171	7-42-1
6025 752	21-85-9	6026 723	13-64-5	6027 271	21-138-7		19-31-1	9416 208	23-54-221
6025 754	21-09-23		13-64-149	6027 279	8-34-40	6027 948	8-14-11	9416 927	8-44-1
	21-19-15		13-66-2	6027 280	8-34-40	6027 952	23-58-213	9417 050	9-48-7
6025 755	21-09-23		13-66-15	6027 292	8-34-45	6027 953	23-58-213	9417 098	19-48-45
	21-19-15	6026 724	13-64-5	6027 295	13-66-2	6027 954	23-58-262	9417 316	23-02-2
6025 756	21-09-23		13-66-15	6027 296	13-66-15	6027 962	8-11-21	9417 471	9-64-24
	21-19-15	6026 750	9-64-24		13-68-25	6027 969	19-31-1		9-71-5
6025 757	21-09-23					6027 972	23-64-40		4-25-14

PART NUMBER	CODE	PART NUMBER	CODE	PART NUMBER	CODE	PART NUMBER	CODE	PART NUMBER	CODE
9417 668	13-11-17	1610 DBX	23-20-41	4028 ER8	8-33-13	4061 ER8	19-30-4	4139 EA4	23-64-71
	17-29-10	1610 ERX	23-20-41	4028 ET8	8-33-13	4062 EB7	19-30-4	4139 EB7	23-64-71
	17-29-11	1611 EBX	23-20-8	4028 ET9	8-33-13	4062 EB9	19-30-4	4139 EF8	23-64-71
9417 670	17-23-57	1611 ERX	23-20-8	4028 EX9	8-33-13	4062 EE9	19-30-4	4139 ER6	23-64-71
9417 749	19-14-4	1613 EX8	23-20-41	4028 EY8	8-33-13	4062 EF8	19-30-4	4139 ET7	23-64-71
	19-46-3	1619 CX9	23-20-41	4043 EB7	8-33-4	4062 EQ8	19-30-4	4139 EW1	23-64-71
9417 818	9-64-24	1620 EB9	1-63-1	4043 EF8	8-33-4	4062 ET8	19-30-4	4139 EX9	23-64-71
9417 863	8-44-1	1620 EF9	1-63-1	4043 ER8	8-33-4	4062 EX9	19-30-4	4204 ERX	23-33-132
9417 865	8-44-1	1620 ER6	1-63-1	4043 ET8	8-33-4	4062 EY4	19-30-4	4204 ETX	1-48-374
9417 866	8-44-1	1620 ET8	1-63-1	4043 EX9	8-33-4	4062 EY8	19-30-4	4204 EX9	1-48-374
9417 867	8-44-1	1620 EX9	1-63-1	4043 EY4	8-33-4	4063 EB9	8-33-13	4207 EB7	24-28-387
9418 087	9-58-12	1620 EY8	1-63-1	4044 EB7	8-33-4	4063 EE9	8-33-13	4207 EF8	24-28-387
	9-58-13	1624 EB9	1-63-1	4044 EF8	8-33-4	4063 EF8	8-33-13	4207 ER8	24-28-387
9418 418	15-03-73	1624 EF9	1-63-1	4044 ER8	8-33-4	4063 EQ8	8-33-13	4207 ET8	24-28-387
9418 651	21-139-60	1624 ER6	1-63-1	4044 ET8	8-33-4	4063 ET8	8-33-13	4207 EX9	24-28-387
9418 772	8-44-1	1624 ET8	1-63-1	4044 EX9	8-33-4	4063 EY8	8-33-13	4221 DX9	23-33-65
9418 903	8-44-1	1624 EX9	1-63-1	4044 EY4	8-33-4	4066 EB9	8-33-13	4221 EB7	23-33-65
9419 780	8-44-1	1625 EB9	1-63-1	4045 DX9	23-33-132	4066 EE9	8-33-13	4221 EF8	23-33-65
9420 536	8-44-1	1625 EF9	1-63-1	4045 EB7	23-33-132	4066 EF8	8-33-13	4221 ER8	23-33-65
9420 813	15-03-68	1625 ER6	1-63-1	4045 ET8	23-33-132	4066 EQ8	8-33-13	4221 ET8	23-33-65
	23-06-4	1625 ET8	1-63-1	4045 ER8	23-33-132	4066 ET8	8-33-13	4221 EY8	23-33-65
9420 830	8-44-1	1625 EX9	1-63-1	4045 ET8	23-33-132	4066 EX9	8-33-13	4223 EX9	23-34-100
9420 892	9-10-19	1625 EY8	1-63-1	4046 EY8	23-33-132	4066 EY4	8-33-13	4229 EB7	23-33-132
9420 947	23-54-4	1626 EB9	1-63-1	4046 DX9	8-33-17	4066 EY8	8-33-13	4229 EF8	23-33-132
9421 218	9-48-7	1626 EE9	1-63-1	4046 EB7	8-33-17	4067 EB7	8-33-13	4229 ER8	23-33-132
9421 360	9-48-6	1626 EF9	1-63-1	4046 EF8	8-33-17	4067 ER8	8-33-13	4229 ET8	23-33-132
9422 159	19-15-35	1626 EM9	1-63-1	4046 ER8	8-33-17	4068 EB7	8-33-13	4229 EX9	23-33-132
9422 525	8-44-1	1626 EQ8	1-63-1	4046 ET8	8-33-17	4068 EF8	8-33-13	4229 EY8	23-33-132
9422 798	8-44-1	1626 ER6	1-63-1	4046 EY4	8-33-17	4068 ER8	8-33-13	4234 EBX	1-48-374
9422 840	7-42-1	1626 ET9	1-63-1	4047 DX9	8-33-17	4068 ET8	8-33-13		23-33-132
9423 258	1-48-70	1626 EX9	1-63-1	4047 EB7	8-33-17	4068 EX9	8-33-13	4234 EFX	1-48-374
9423 277	8-44-1	1626 EY8	1-63-1	4047 EF8	8-33-17	4068 EY4	8-33-13		23-33-132
9423 295	8-44-1	1627 EX8	23-20-8	4047 ER8	8-33-17	4069 EX9	8-33-6	4234 ERX	23-33-132
9423 434	23-22-86	1632 EX8	23-20-41	4047 ET8	8-33-17	4070 EB7	8-33-6	4234 ETX	23-33-132
9423 520	19-14-49	1634 FX8	23-20-41	4047 EY4	8-33-17	4070 EF8	8-33-6	4234 EX9	23-33-132
9423 811	9-10-19	1647 CX9	23-20-8	4047 EY8	8-33-17	4070 ER8	8-33-6	4234 EYX	1-48-374
9423 841	8-44-1	1650 CX9	23-20-41	4048 DX9	8-33-13	4070 ET8	8-33-6		23-33-132
9423 870	5-27-12	1652 EX8	23-20-41	4048 EB7	8-33-13	4070 EX9	8-33-6	4263 EBX	1-48-374
9425 132	19-27-8	1653 EX8	23-20-41	4048 EF8	8-33-13	4070 EY4	8-33-6	4263 EFX	1-48-374
	19-27-31	1656 DX8	23-20-41	4048 ER8	8-33-13	4070 EY8	8-33-6	4263 ETX	1-48-374
9425 542	8-44-1	1657 DBX	23-20-41	4048 ET8	8-33-13	4071 EB7	8-33-17	4263 EX9	1-48-374
9427 336	8-44-1	1657 ETX	23-20-41	4048 EY4	8-33-13	4071 ER8	8-33-17	4263 EYX	1-48-374
9427 473	9-64-24	1683 CX8	23-20-41	4049 DX9	8-33-17	4071 ET8	8-33-17	4275 EB9	23-33-132
9427 794	8-44-1	1684 CX9	23-20-41	4049 EB7	8-33-17	4071 EX9	8-33-17	4275 EE9	23-33-132
9428 310	8-44-1	1699 DBX	23-20-41	4049 EF8	8-33-17	4072 EB7	19-30-4	4275 EF8	23-33-132
9428 368	23-64-12	1981 CX9	23-58-3	4049 ET8	8-33-17	4072 EB8	19-30-4	4275 EM9	23-33-132
9428 704	8-44-1	1995 DX9	23-58-3	4054 EB7	19-30-4	4072 EF7	19-30-4	4275 EQ8	23-33-132
9428 812	8-11-21	2025 EW2	24-28-3	4054 EB9	19-30-4	4072 EF8	19-30-4	4275 ER8	23-33-132
4 SPE	21-42-43	3524 BX9	23-48-51	4054 EE9	19-30-4	4072 ER8	19-30-4	4275 ET8	23-33-132
1323 EB7	23-26-43	3704 EB2	23-22-86	4054 EF8	19-30-4	4072 ET8	19-30-4	4275 EX9	23-33-132
1323 EF8	23-26-43	3704 EB9	23-22-86	4054 ER8	19-30-4	4072 EX9	19-30-4	4275 EY8	23-33-132
1323 ER8	23-26-43	3704 EF7	23-22-86	4054 ET8	19-30-4	4074 EB9	8-33-13	4276 EB9	23-33-132
1323 ET8	23-26-43	3704 EM9	23-22-86	4054 EX9	19-30-4	4074 EE9	8-33-13	4276 EE9	23-33-132
1323 EX9	23-26-43	3704 EQ3	23-22-86	4054 EY4	19-30-4	4074 FF8	8-33-13	4276 EF8	23-33-132
1323 EY8	23-26-43	3704 ET1	23-22-86	4054 EY8	19-30-4	4074 EQ8	8-33-13	4276 EM9	23-33-132
1327 EB7	23-26-43	3704 EX9	23-22-86	4058 EB7	19-30-4	4074 ET8	8-33-13	4276 EQ8	23-33-132
1327 EF8	23-26-43	3720 EW1	23-22-86	4058 EB9	19-30-4	4074 EX9	8-33-13	4276 ER8	23-33-132
1327 ER8	23-26-43	4007 DX9	19-30-4	4058 EE9	19-30-4	4074 EY8	8-33-13	4276 ET8	23-33-132
1327 ET8	23-26-43	4008 EB7	19-30-4	4053 EF8	19-30-4	4075 EB9	8-33-13	4276 EX9	23-33-132
1327 EX9	23-26-43	4008 EF8	19-30-4	4058 EM9	19-30-4	4075 EF8	8-33-13	4276 EY8	23-33-132
1327 EY8	23-26-43	4008 ER8	19-30-4	4058 EQ8	19-30-4	4075 EM9	8-33-13	4278 EB7	23-33-132
1339 EX9	23-49-8	4008 ET8	19-30-4	4058 ET8	19-30-4	4075 EQ8	8-33-13	4278 EF8	23-33-132
1365 EB9	23-26-43	4008 EY4	19-30-4	4058 ET9	19-30-4	4075 ER8	8-33-13	4278 ER8	23-33-132
1365 EF8	23-26-43	4016 DTT	19-30-4	4058 EX9	19-30-4	4075 ET9	8-33-13	4278 ET8	23-33-132
1365 EM9	23-26-43	4018 DX9	19-30-4	4058 EY8	19-30-4	4075 EY4	8-33-13	4278 EX9	23-33-132
1365 EQ8	23-26-43	4018 EB8	19-30-4	4058 EY9	19-30-4	4102 EW2	24-28-3	4282 EB9	23-06-10
1365 ET9	23-26-43	4018 ER8	19-30-4	4059 ER8	19-30-4	4104 EW2	24-28-3	4282 EE9	23-06-10
1365 EX9	23-26-43	4018 ET8	19-30-4	406C EB9	19-30-4	4106 EW2	24-28-3	4282 EF8	23-06-10
1601 CX8	23-20-8	4028 EB7	8-33-13	4060 EF8	19-30-4	4114 EB7	8-35-85	4282 ET8	23-06-10
1602 DBX	23-20-8	4028 EB9	8-33-13	4060 EM9	19-30-4	4114 EF8	8-35-85	4282 EX9	23-06-10
1602 ETX	23-20-8	4028 EE9	8-33-13	4060 EQ8	19-30-4	4114 ER8	8-35-85	4282 EY8	23-06-10
1604 CX8	23-20-41	4028 EF8	8-33-13	4060 ET9	19-30-4	4114 ET8	8-35-85	4299 EB7	24-28-78
1605 EX9	1-67-5	4028 EM9	8-33-13	4060 EX9	19-30-4	4114 EX9	8-35-85	4299 EF8	24-28-78
1607 ETX	23-20-41	4028 EQ8	8-33-13	4060 EY4	19-30-4	4114 EY8	8-35-85	4299 ER8	24-28-78

PART NUMBER	CODE	PART NUMBER	CODE	PART NUMBER	CODE	PART NUMBER	CODE	PART NUMBER	CODE
4299 ET8	24-28-78	4523 EM9	8-35-85	4621 EE9	23-49-1	4766 EE9	1-67-1		
4299 EX9	24-28-78	4523 EQ8	8-35-85	4621 EF8	23-49-1	4766 EF8	1-67-1		
4323 DX9	23-04-229	4523 ER8	8-35-85	4621 EL4	23-49-1	4766 EL4	1-67-1		
4323 EB7	23-04-229	4523 ET8	8-35-85	4621 EM9	23-49-1	4766 EQ4	1-67-1		
4323 EF8	23-04-229	4523 ET9	8-35-85	4621 EQ4	23-49-1	4766 ER6	1-67-1		
4323 ET4	23-04-229	4523 EX9	8-35-85	4621 ER6	23-49-1	4771 DX9	1-67-1		
4372 EX9	23-47-8	4523 EY8	8-35-85	4621 EX9	23-49-1	4780 DX9	1-67-1		
4373 EX9	23-47-8	4600 EX9	1-67-1	4622 EB9	23-49-1	4783 DX9	23-49-7		
4374 EX9	23-47-8	4604 EX9	1-67-1	4622 EE9	23-49-1	4783 EB9	23-49-7		
4375 EX9	23-47-8	4605 EA4	1-67-25	4622 EF8	23-49-1	4783 EF8	23-49-7		
4382 EX9	23-47-8	4605 EB3	1-67-25	4622 EL4	23-49-1	4783 EL4	23-49-7		
4411 EB9	24-28-78	4605 EB7	1-67-25	4622 EM9	23-49-1	4783 ER6	23-49-7		
4411 EE9	24-28-78	4605 EB9	1-67-25	4622 EQ4	23-49-1	4784 DX9	1-67-1		
4411 EF8	24-28-78		23-49-17	4622 ER6	23-49-1	4784 EB9	1-67-1		
4411 EF9	24-28-78	4605 EE9	23-49-17	4622 EX9	23-49-1	4784 EF8	1-67-1		
4411 EM9	24-28-78	4605 EF3	1-67-25	4751 DX9	1-67-1	4784 EL4	1-67-1		
4411 EQ8	24-28-78	4605 EF8	1-67-25	4751 EB9	1-67-1	4784 ER6	1-67-1		
4411 ER8	24-28-78		23-49-17	4751 EE9	1-67-1	4784 EX9	1-67-1		
4411 ET8	24-28-78	4605 EM9	23-49-17	4751 EF8	1-67-1	4786 DX9	1-67-1		
4411 ET9	24-28-78	4605 EQ4	1-67-25	4751 EL4	1-67-1	4786 EB9	1-67-1		
4411 EX9	24-28-78		23-49-17	4751 EM9	1-67-1	4786 EF8	1-67-1		
4411 EY8	24-28-78	4605 ER6	1-67-25	4751 EQ4	1-67-1	4786 EL4	1-67-1		
4468 DX9	24-28-78	4605 ET1	1-67-25	4751 ER6	1-67-1	4786 EX9	1-67-1		
4469 DX9	24-28-78		23-49-17	4752 DX9	23-49-7	4789 DX9	1-67-1		
4475 EX9	8-33-13	4605 ET4	1-67-25	4752 EB9	23-49-7	4789 EB9	1-67-1		
4483 EB9	24-24-140	4605 ET8	1-67-25	4752 EE9	23-49-7	4789 EF8	1-67-1		
4483 EE9	24-24-140		23-49-17	4752 EF8	23-49-7	4789 EL4	1-67-1		
4483 EF9	24-24-140	4605 EW1	1-67-25	4752 EL4	23-49-7	4789 ER6	1-67-1		
4483 EM9	24-24-140	4605 EX9	1-67-25	4752 EM9	23-49-7	4792 EX9	1-67-1		
4483 EQ8	24-24-140		23-49-17	4752 EQ4	23-49-7	4795 EB9	23-49-1		
4483 ER8	24-24-140	4605 EY4	1-67-25	4752 ER6	23-49-7	4795 EF8	23-49-1		
4483 ET8	24-24-140		23-49-17	4753 DQ3	23-49-7	4795 EL4	23-49-1		
4483 ET9	24-24-140	4605 EY8	1-67-25	4753 DX9	23-49-7	4795 ER6	23-49-1		
4483 EX9	24-24-140	4614 EB9	1-67-1	4753 EB9	1-67-16	4795 EX9	23-49-1		
4483 EY8	24-24-140	4614 EF8	1-67-1		23-49-7	9453 EB9	1-63-1		
4503 DX9	23-54-221	4614 EL4	1-67-1	4753 EE9	23-49-7	9453 EF9	1-63-1		
4503 EA4	23-54-221	4614 EM9	1-67-1	4753 EF8	1-67-16	9453 ER6	1-63-1		
4503 EB7	23-54-221	4614 EQ4	1-67-1		23-49-7	9453 ET8	1-63-1		
4503 EF8	23-54-221	4614 EX9	1-67-1	4753 EL4	1-67-16	9453 EX9	1-63-1		
4503 ET7	23-54-221	4615 EB9	1-67-1		23-49-7	9453 EY8	1-63-1		
4513 DX9	23-64-71	4615 EF8	1-67-1	4753 EQ4	1-67-16	9644 DX9	23-45-66		
4513 EA4	23-64-71	4615 EL4	1-67-1		23-49-7				
4513 EB3	23-64-71	4615 ER6	1-67-1	4753 ER6	1-67-16				
4513 EB5	23-64-71	4615 EX9	1-67-1		23-49-7				
4513 EB7	23-64-71	4616 EB9	1-67-1	4753 EX9	1-67-16				
4513 EF3	23-64-71	4616 EF8	1-67-1	4756 DX9	23-49-7				
4513 EF8	23-64-71	4616 EL4	1-67-1	4756 EB9	23-49-7				
4513 EL3	23-64-71	4616 ER6	1-67-1	4756 EF8	23-49-7				
4513 ER6	23-64-71	4616 EX9	1-67-1	4756 EL4	23-49-7				
4513 ET3	23-64-71	4617 EB9	1-67-1	4756 ER6	23-49-7				
4513 ET7	23-64-71	4617 EE9	1-67-1	4757 DX9	1-67-30				
4513 EW1	23-64-71	4617 EF8	1-67-1	4757 EB9	1-67-30				
4513 EY4	23-64-71	4617 EL4	1-67-1	4757 EF8	1-67-30				
4518 DX9	1-87-22	4617 EM9	1-67-1	4757 EL4	1-67-30				
	23-33-135	4617 EQ4	1-67-1	4757 EM9	1-67-30				
4518 EB7	1-87-22	4617 ER6	1-67-1	4757 EQ4	1-67-30				
	23-33-135	4617 EX9	1-67-1	4757 ER6	1-67-30				
4518 EF8	1-87-22	4619 DX9	1-67-30	4759 DX9	1-67-1				
	23-33-135	4619 EB9	1-67-30	4759 EB9	1-67-1				
4518 ET8	1-87-22	4619 EE9	1-67-30	4759 EF8	1-67-1				
	23-33-135	4619 EF8	1-67-30	4759 EL4	1-67-1				
4519 DX9	23-33-135	4619 EL4	1-67-30	4759 ER8	1-67-1				
4519 EB7	1-87-22	4619 EM9	1-67-30	4761 DX9	23-49-1				
	23-33-135	4619 EQ4	1-67-30	4761 EB9	23-49-1				
4519 EF8	1-87-22	4619 ER6	1-67-30	4761 EF8	23-49-1				
	23-33-135	4620 EB9	23-49-1	4761 EL4	23-49-1				
4519 ET8	23-33-135	4620 EE9	23-49-1	4761 ER6	23-49-1				
4519 EX9	1-87-22	4620 EF8	23-49-1	4762 DX9	23-49-1				
4521 EB7	23-33-135	4620 EL4	23-49-1	4762 EB9	23-49-1				
4521 EF8	23-33-135	4620 EM9	23-49-1	4762 EF8	23-49-1				
4521 ET8	23-33-135	4620 EQ4	23-49-1	4762 EL4	23-49-1				
4523 EB9	8-35-85	4620 ER6	23-49-1	4762 ER6	23-49-1				
4523 EE9	8-35-85	4620 EX9	23-49-1	4766 DX9	1-67-1				
4523 EF8	8-35-85	4621 EB9	23-49-1	4766 EB9	1-67-1				

NOTES

